

Form No.
908473
Revision B

AL-730

AGRI-LOADER™

Telescopic Loader



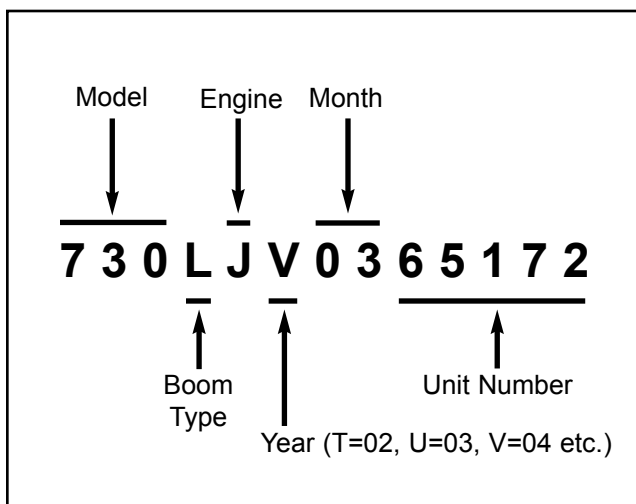
PARTS MANUAL

GEHL®

The Table of Contents pages show the page location of various component groups on the machine.

When ordering service parts, specify the correct part number, full description, quantity required, and the unit model and serial number.

Model and serial numbers for this unit are stamped on a plate located inside the operator's station. The serial number is also stamped on the top front of the frame. The following reference shows the breakdown of the serial number:



“Right” and “left” are determined from a position sitting on the seat and facing forward.

GEHL Company reserves the right to make changes or improvements in the design or construction of any part of the unit without incurring the obligation to install such changes on any unit previously delivered.

GEHL, Dynalift, Dynattach, Dynaline, DynacARRIER and Dynahandler are registered trademarks of Gehl Company. Bunker Buster and Agri-Loader are a trademark of Gehl Company.

Grease fittings and common attaching hardware, such as cotter pins, set screws, woodruff keys, screws, nuts, etc., are included in the parts list, indented below the part it is (they are) associated with, but may NOT be illustrated, except where a particular routing or special fastening arrangement MUST be maintained. The hardware listed is for mounting purposes and is NOT included when the part is ordered for replacement.

Part numbers for standard hardware are listed indented under the component being fastened.

Standard attaching hardware torque values are provided on the inside back cover. Unless otherwise specified, all capscrews are Grade 5, cadmium or zinc plated; hexagon nuts for Grade 5 capscrews or bolts are Grade A.

TABLE OF STANDARD WASHERS, NUTS

Size & Description	Part No.	Size & Description	Part No.
#10-32 N	L50050	7/16 L	L50150
1/4-20 NIN	L520003	7/16-14 NIN	L50517
1/4 P	L50137	7/16 P	L50149
1/4-20 SFN	L50051	1/2-13 NIN	L520019
5/16 L	L50143	1/2 P	L50151
5/16-18 N	L50230	5/8 L	L50156
5/16-18 NIN	L520004	5/8-11 N	L50081
5/16 P	L50141	3/4-10 N	L50086
5/16-18 RNF	L530004	3/4-10 NIN	L50519
5/16-18 SFN	L50056	3/4 P	L50147
3/8-16 L	L50147	1-8 JN	L50145
3/8-16 N	L50066		
3/8-16 NIN	L520005		
3/8-16 P	L50145		
3/8-16 SFN	L50061		
3/8-16 WN	L530003		

List of Abbreviations Used in this Manual

AN	Acorn Nut
AR	As Required
ASY	Assembly
BHB	Button Head Bolt
CB	Carriage Bolt
CN	Castellated Nut
CYL	Cylinder
CS	Capscrew (Hexagon Head)
DIA	Diameter
FHMS	Flat Head Machine
FLN	Flanged Flexlock Nut
FLS	Flanged Lock Screw
FT	Foot or Feet
GR	Grade
HLN	Hexlock Nut
HYD	Hydraulic
JN	Jam Nut
L	Lock (Washer)
LH	Left Hand
LT	Left
N	Nut (Plain Hex)
NA	Not Applicable
NIN	Nylon Insert Lock Nut
NPTF	National Pipe Threaded Fitting
NSS	Not Sold Separately
P	Plain (Washer)
PB	Plow Bolt
PHS	Pan Head Screw
RH	Right Hand
RHMS	Round Head Machine Screw
RHSMS	Round Head Sheet Metal Screw
RNF	Retained Nut Fastener
RT	Right
SHCS	Socket Head Capscrew
SHSS	Socket Head Set Screw
SFN	Serrated Flange Nut
SHSS	Square Head Set Screw
STS	Self-Thread Screw Hex. Washer Head
THMS	Truss-Head Machine Screw
TRS	Thread Roll Screw
W/	With
WN	Wing Nut

FILTER REFERENCE	
TYPE	PART NUMBER
Engine Oil	
<i>Note a</i>	L99420
<i>Note b</i>	102173
Engine Fuel	
<i>Note a</i>	L98978
<i>Note b</i>	102174
Engine Air	L99453
Air Safety Element	L99967
Transmission Oil	L99440
Hydraulic Oil	L99459
Notes:	
<i>a</i>	<i>Thru S/N 65177</i>
<i>b</i>	<i>S/N 65178 and up</i>

Table of Contents

	Page
INTRODUCTION	2
List of Abbreviations	3
Filter Reference Chart	3
Table Of Contents	4
 DECALS	
General Information - Application	8
Decal Locations, Operator Station	9
Decal Locations, Left Side	10
Decal Locations, Right Side	11
 OPERATOR STATION	
Cab (S/N 65168 and up)	12
Cab (Thru S/N 65167)	13
Cab Enclosure-Front Glass	18
Cab Enclosure-Top Glass	22
Cab Enclosure-Left Side Glass	26
Cab Enclosure-Rear Glass	28
Cab Enclosure-Upper Door	32
Cab Enclosure-Lower Door	36
Dash Tilt Plastic Housing	40
Heater-Air Conditioning Group	44
A/C - Condenser Group	48
A/C-Hoses, Compressor, and Dryer	50
Heater Group	52
Steering Column Group	56
Console Tilt Group	58
Brake Pedal Group	60
Throttle Pedal Group	62
Right Panel Plastic and Seat Group	64
 CHASSIS	
Rear Access Door Group	66
Engine/Transmission Cover Group	68
Battery Tray Group	72
Hydraulic Tank Group	74
Fuel Tank Group	76
 ENGINE	
External Engine Components Group	78
Radiator Group	80
Engine Air Cleaner Group	84
Engine Muffler Group	88

Table of Contents

TRANSFER CASE

Transfer Case External Components	90
Transfer Case Assembly Group	92

TRANSMISSION

External Transmission and Drive Shaft Group	96
Converter Housing Group	98
Case Group	100
Torque Converter	102
Charging Pump	103
Pump Drive	104
Forward Low/High Shaft and Gears Group	106
Reverse/1st Shaft and Gears Group	110
2nd Shaft Group	114
Input Shaft Group	116
Output Shaft Group	117
Drive Plate Group	118
Control Valve Mounting Group	119
Control Valve Assembly Group	120

AXLES

(S/N 65167 and up)

External Components Group	122
Front and Rear Axle Housing	124
Front and Rear Axle-Swivel Housing and Steer Cylinder	126
Front Axle-Gear and Pinion Set	128
Rear Axle-Gear and Pinion Set	129
Front and Rear Axle-Differential	130
Front and Rear Axle-Double U-Joint	131
Front and Rear Axle-Wheel Hub and Final Reduction	132
Front and Rear Axle-Brakes	133

(Thru S/N 65166)

External Components Group	134
Front Axle-Limited Slip Housing	136
Front Axle-Limited Slip-Swivel Housing and Steer Cylinder	138
Front Axle-Limited Slip-Gear and Pinion Set	140
Front Axle-Limited Slip-Differential	141
Front Axle-Limited Slip-Double Joint Shaft	142
Front Axle-Limited Slip-Brakes	143
Front Axle-Limited Slip-Wheel Hub	144
Front Axle-Limited Slip-Planetary Drive	145
Front Axle-Differential Lock Housing	146
Front Axle-Differential Lock-Swivel Housing and Steer Cylinder	148

(Continued on next page.)

Table of Contents

(Axles-Thru S/N 65166-Continued.)

Front Axle-Differential Lock-Gear and Pinion Set	150
Front Axle-Differential Lock-Differential	151
Front Axle-Differential Lock-Differential Locking Assembly	152
Front Axle-Differential Lock-Double Joint Shaft	154
Front Axle-Differential Lock-Brakes	155
Front Axle-Differential Lock-Wheel Hub	156
Front Axle-Differential Lock-Planetary Drive	157
Rear Axle Housing	158
Rear Axle-Swivel Housings and Steer Cylinder	160
Rear Axle-Gear and Pinion Set	162
Rear Axle-Differential	164
Rear Axle-Double Joint Shaft	164
Rear Axle-Wheel Hub	166
Rear Axle-Planetary Drive	167

BOOM

Inner Boom-Front Section	168
Inner Boom-Rear Section	172
Outer Boom-Front Section	174
Outer Boom-Rear Section	176
Inner Boom-Hose Tray	178
Manual DynacARRIER	180
Hydraulic DynacARRIER	182

ATTACHMENTS

DynacARRIER® Attachment Tools	184
Bale Fork with Push Off	186
Bunker Buster™ Silage Mill	188
Bucket with Top Clamp	190
Manure Fork Clamp Assembly	192

HYDRAULIC SYSTEMS

Hydraulic Valves/Manifolds/Pump (Overview)	194
Hydraulic Cylinders/Components (Overview)	195
Hydraulic Pump and Accumulator	196
SAHR and Accumulator Charge Valve	198
Steer Select Valve	200
Steer/Brake Lines Manifold	202
Axle Steer and Brake Lines	206
Steer Motor	210
Brake Valve	212
Level Valve	213

Table of Contents

Park Brake-Caliper Breakdown	214
Park Brake- Intensifier	215
Differential Lock Valve	216
V40 Main Valve Group	218
Pilot Manifold-Standard Hydraulics	220
Pilot Manifold-Optional Hydraulics	222
Joystick Controller	224
Return Manifold, Tank and Filter Group	226
Frame Level Cylinder Group	228
Lift Cylinder Group	230
Slave Cylinder Group	232
Tilt Cylinder Group	234
Boom Extend Cylinder Group	236
First Auxiliary Hydraulics	238
Second Auxiliary Hydraulics	240
Hydraulic/Transmission Cooler Group	244

HYDRAULIC COMPONENTS

Flow Divider Breakdown	246
SAHR Valve Breakdown	247
Steer Select Valve Breakdown	248
Level Valve Breakdown	249
V40 Valve Breakdown	250
Optional Hydraulics V40 Work Section Breakdown	252
Differential Lock Valve Breakdown	253
Pilot Manifolds Breakdown	254
Frame Level Cylinder Breakdown	256
Lift Cylinder Breakdown	258
Slave Cylinder Breakdown	260
Tilt Cylinder Breakdown	262
Boom Extend Cylinder Breakdown	264
DynacARRIER Lock Cylinder Breakdown	266
Push Arm Cylinder Breakdown	267
Grapple Cylinder Breakdown	268
Bunker Buster Hydraulic Motor Breakdown	269
Joystick Controller Breakdown	270

NUMERICAL INDEX

Numerical Index List	272
----------------------------	-----

GENERAL INFORMATION



CAUTION

ALWAYS read and follow the safety precautions and information shown on decals. If any decals are damaged or unreadable, or if the unit is repainted, the decals must be replaced. If repainting, **BE SURE** that all decals that apply to your machine are affixed in their proper locations.

Decal locations information is provided to assist in the proper selection and application of new decals, in the event the original decals become damaged or the machine is repainted.

For correct replacement of decals, compare the location photographs to your machine before starting to refinish the unit. Check off each required decal using the illustration reference number to find the part number, description and quantity in the list. Refer to the appropriate illustration(s) for replacement locations.

NEW DECAL APPLICATION

Before applying the new decals, surfaces must be free from dirt, dust, grease and other foreign material. To apply a solid-formed decal, remove the smaller portion of the decal backing paper and apply this part of the exposed adhesive backing to the clean surface while maintaining proper position and alignment. Slowly peel off the other portion of the backing paper while applying hand pressure to smooth out decal surface. To apply a pre-mask decal, first remove the backing paper to expose the adhesive side of the decal. Then properly orient and position the decal onto the clean mounting surface. After the decal is firmly applied and smoothly pressed down, peel off the top covering paper.

PAINT FINISH

Use this list to order paint for refinishing:

906214	6 (12 oz. Spray Cans) Yellow
906213	One Gallon Yellow
906318	6 (12 oz. Spray Cans) Charcoal Gray
906317	One Gallon Charcoal Gray
P906323	Two Quarts Charcoal Gray
910100	6 (12 oz. Spray Cans) Gun Metal Gray
184764	One Quart Gun Metal Gray
184765	One Gallon Gun Metal Gray

Decal Kits

Use this list to order decal kits for units painted charcoal gray (*Thru S/N 65166*):

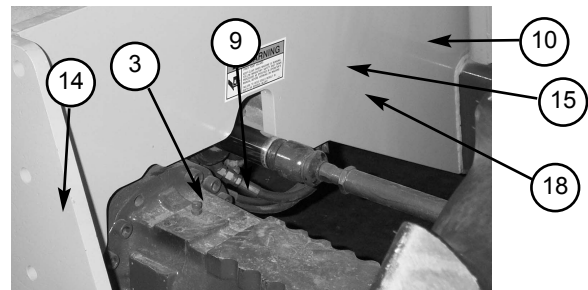
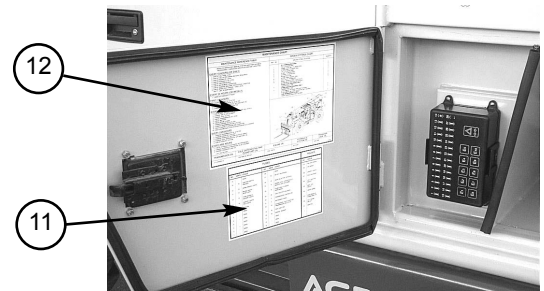
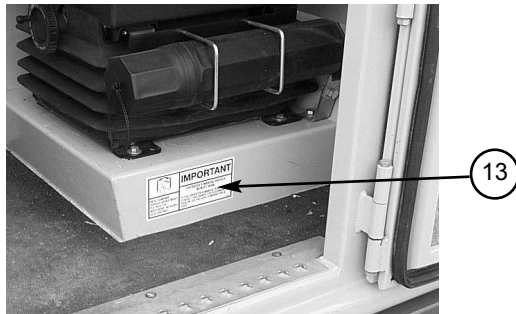
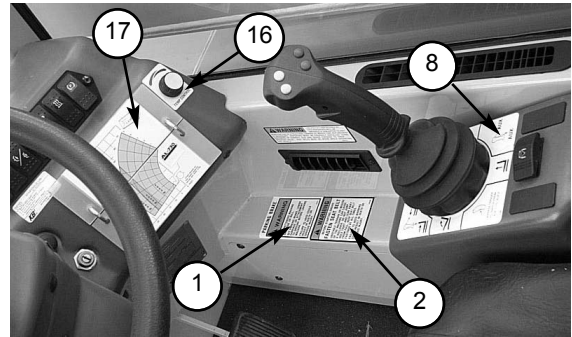
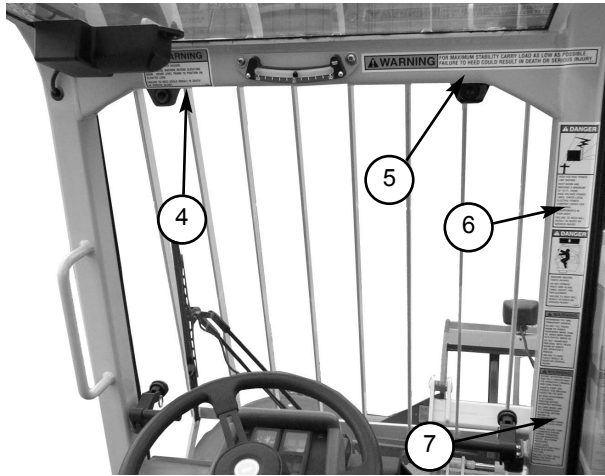
L500442	Decal Kit, AL-730
L500443	Decal Kit, AL-730 Load Charts

Use this list to order decal kits for units painted gun metal gray (*S/N 65167 and up*):

L500934	Decal Kit, AL-730
L500443	Decal Kit, AL-730 Load Charts

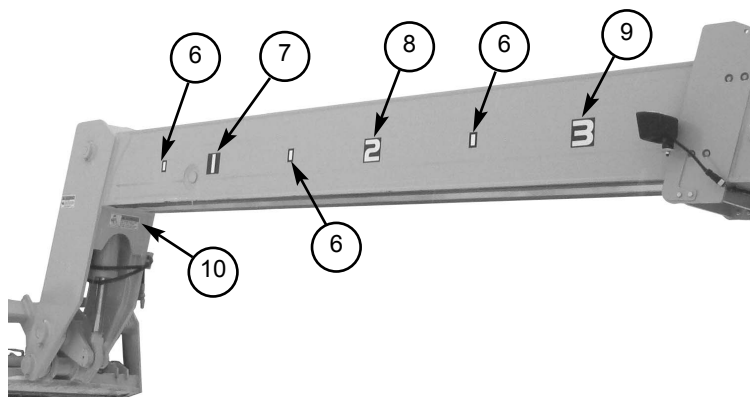
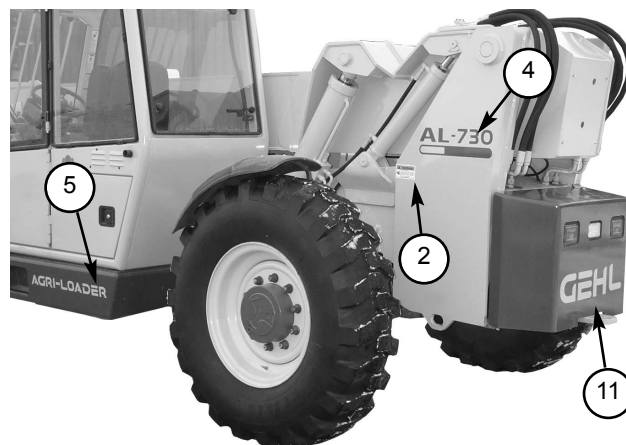
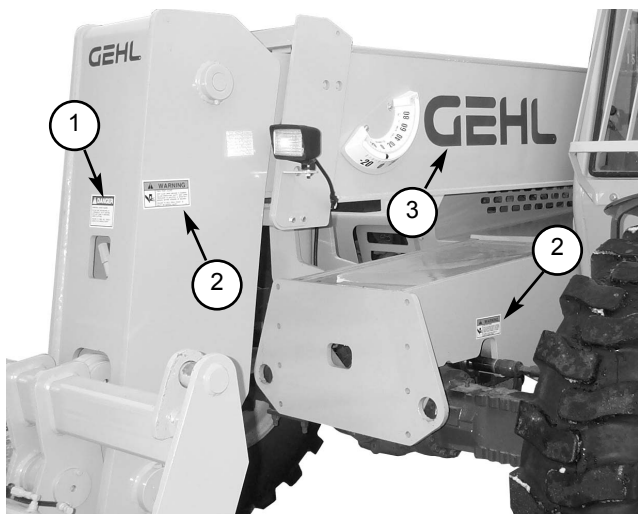
NOTE: *Decals may be purchased in kits or individually.*

Decal Locations - Operator's Station



REF. NO.	DESCRIPTION	PART NUMBER
01	WARNING - PARK BRAKE	L65925
02	WARNING - FASTEN SEAT BELT	L65440
03	DANGER - PERSONAL INJURY	L65928
04	WARNING - ROLLOVER HAZARD	L65930
05	WARNING - CARRY LOAD LOW	093475
06	DANGER - HI-VOLT/MOVING PARTS	L70307
07	WARNING - TILT HAZARD/GENL. OPER.	L70306
08	JOYSTICK CONTROL	L71560
09	MADE IN USA	094951
10	F-N-R SHIFTER	L68295
11	FUSES/RELAYS REFERENCE	L71530
12	MAINTENANCE CHART	L71617
13	OPERATOR MANUAL INSIDE	L65922
14	WARNING - NO RIDERS	L65932
15	DIFFERENTIAL LOCK (optional)	L71561
16	TEMPERATURE CONTROL (optional)	L70503
17	DECAL KIT, AL-730 LOAD CHARTS	L500443
18	SHIFTER, 1,2,3,4	L500439

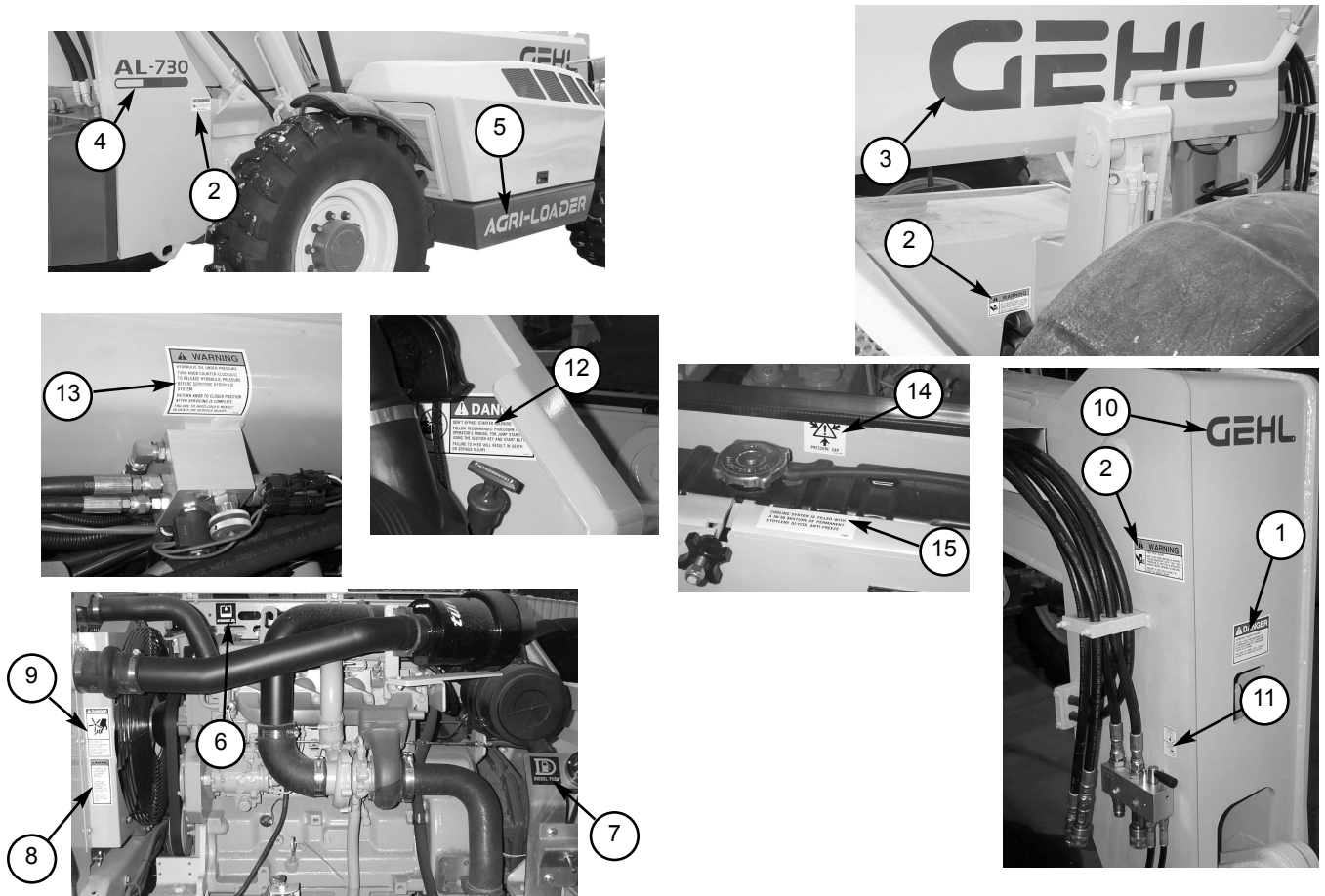
Decal Locations - Left Side, Tractor & Boom



REF. NO.	DESCRIPTION	PART NUMBER
01	DANGER - PERSONAL INJURY	L65928
02	WARNING - PINCH POINT	L65927
03	GEHL, 6.38 IN.	122288/ 101466
04	AL-730	L71590/ 101480
05	AGRI-LOADER, 2 IN.	L71586
06	HALF ZONE MARKER	L62583
07	"1" EXTENSION MARK	L67719
08	"2" EXTENSION MARK	L67720
09	"3" EXTENSION MARK	L67721
10	WARNING - CARRY LOAD LOW	L65926
11	GEHL, 5.25 IN.	L70464

NOTE: Part numbers in regular type are used on machines that use the charcoal gray color. (Thru S/N 65166)
 Part numbers that are underlined and **bold type** are used on machines that use the gun metal gray color. (S/N 65167 and up)

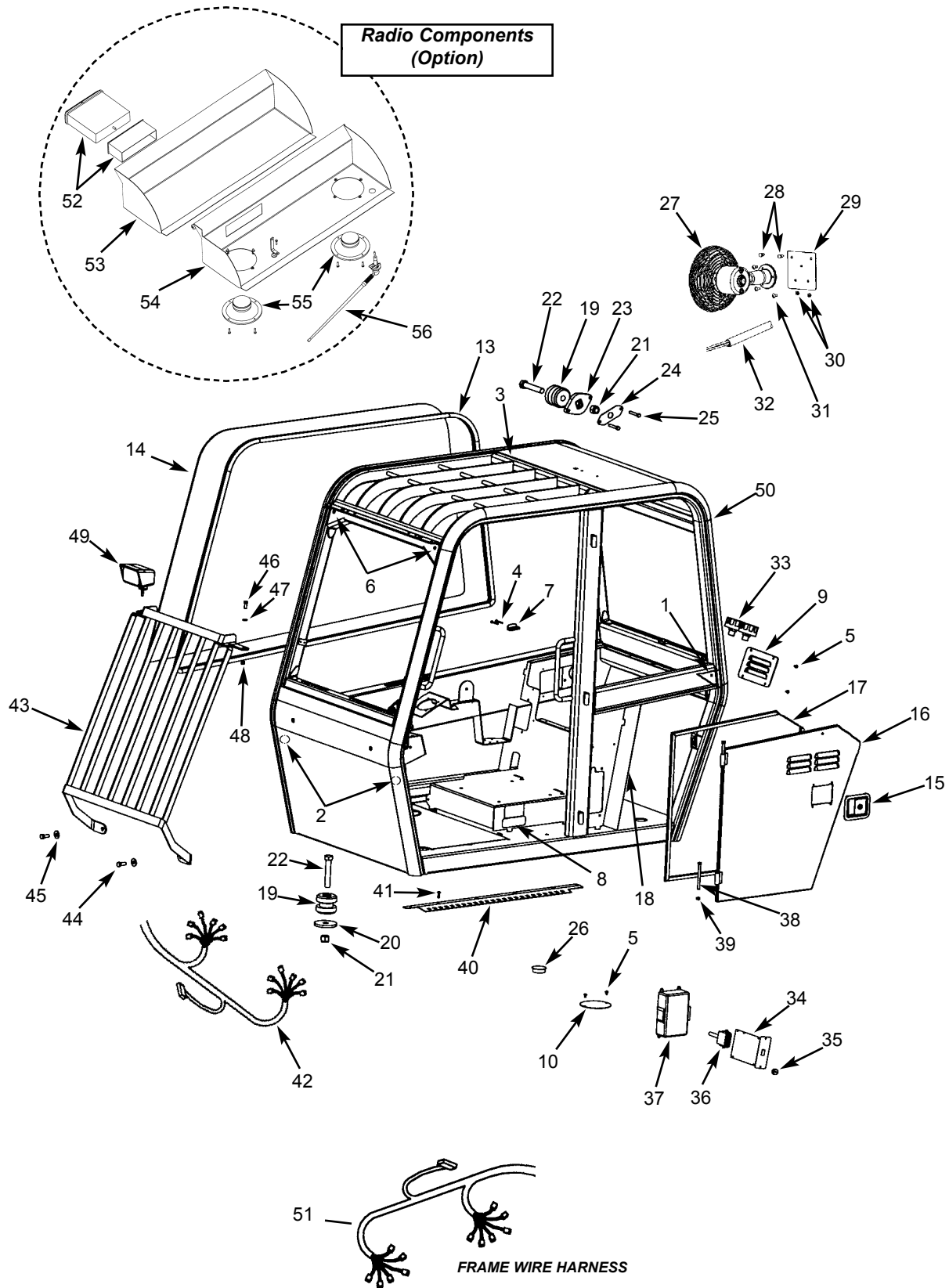
Decal Locations - Right Side, Tractor & Boom



REF. NO.	DESCRIPTION	PART NUMBER
01	DANGER - PERSONAL INJURY	L65928
02	WARNING - PINCH POINT	L65927
03	GEHL, 8.00 IN.	L66567/ 101467
04	AL-730	L71590/ 101480
05	AGRI-LOADER, 4 IN.	L71587
06	HYDRAULIC OIL	072794
07	DIESEL FUEL	072797
08	WARNING - GAS SPRINGS	122745
09	DANGER - ROTATING FAN	L70305
10	GEHL, 2.0 IN.	L66584/ 101468
11	DIVERTER VALVE	L71690
12	DANGER, JUMP START	L65933
13	ACCUMULATOR DISCHARGE	L70238
14	COOLANT UNDER PRESSURE	072798
15	ANTIFREEZE	056859

NOTE: Part numbers in regular type are used on machines that use the charcoal gray color. (Thru S/N 65166)
 Part numbers that are underlined and **bold type** are used on machines that use the gun metal gray color. (S/N 65167 and up)

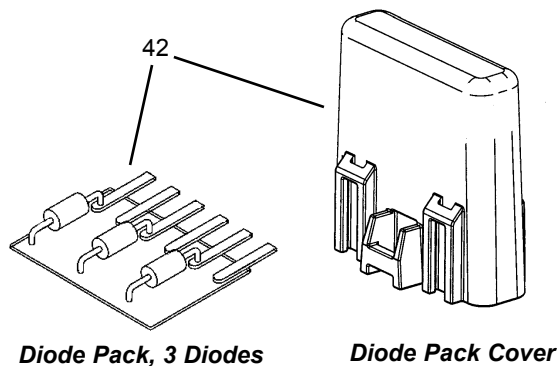
Cab
(S/N 65168 and Up)



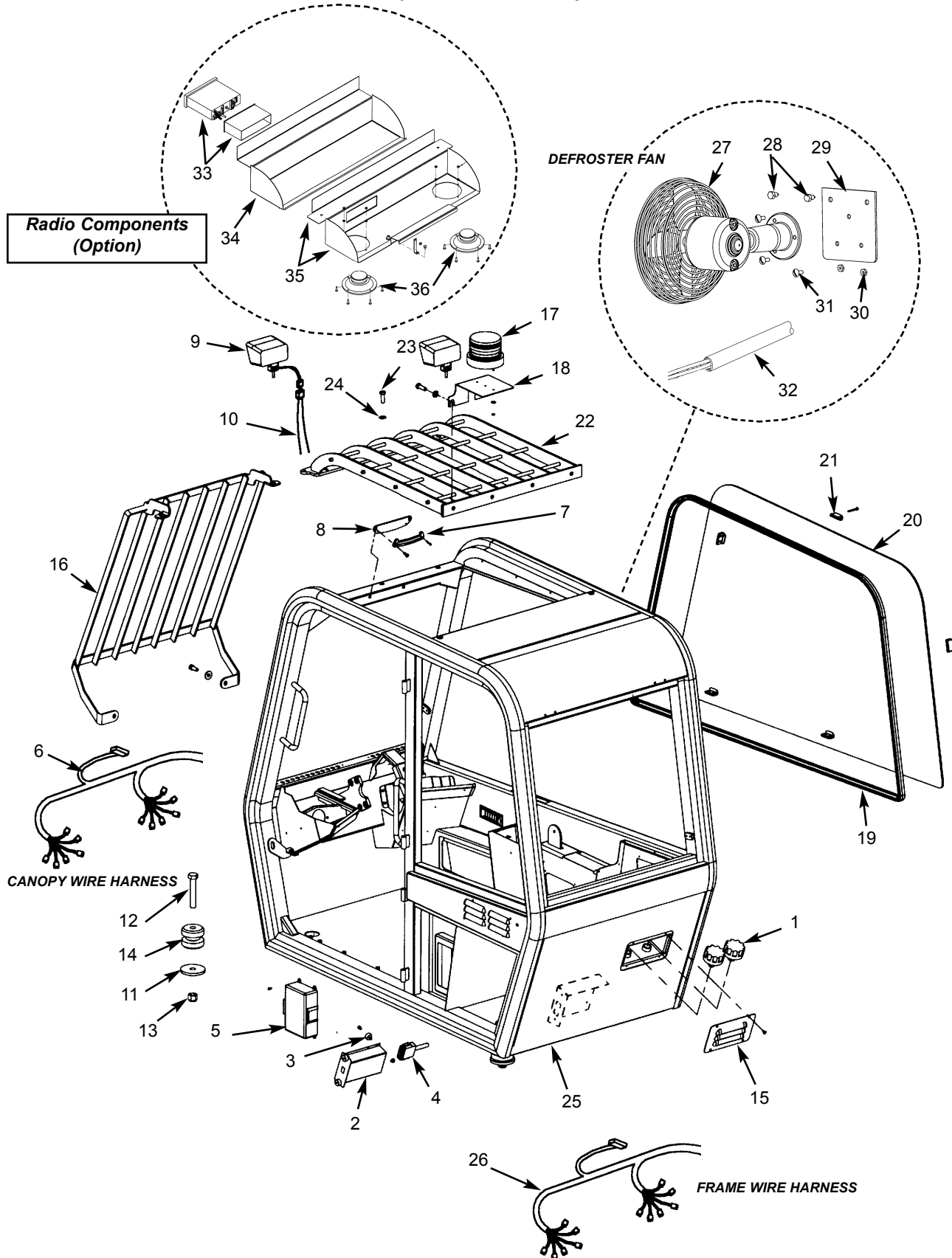
Cab (S/N 65168 and Up)

Ref. No.	Part No.	Description	Qty. Req.	Ref. No.	Part No.	Description	Qty. Req.
01	L500064	PLUG/HOLE, .5" BLACK	1	32	101158	HARNESS/DEFROSTER FAN	1
02	101711	GROMMET, RUBBER	2	33	L70388	BREATHER	2
03	L70463	GROMMET, RUBBER	1	34	L70359	TCT16 CONTROLLER	1
04	L500055	SCREW/FLANGE	6	35	L70448	ISO MOUNT	4
05	L70116	SCREW/THREAD ROLLING	6		L50645	1/4-20X3/8 GR5 BOLT	4
06	101712	GROMMET, RUBBER	2		L520003	1/4-20 NUT, NYLON INSERT	4
07	L500057	CLIP/WINDOW BLACK	3	36	L70404	TCT16 WIRE HARNESS	1
08	L500060	DECAL/ROPS/FOPS WARN.	1	37	L69137	FUSE/RELAY BOX	1
09	L99974	PANEL/ACCESS BREATHER	1		L50655	RND HD SCREW, 10-24X1/2	4
10	L500070	COVER/FLOAT GAUGE	1		L70075	CHANGEOVER RELAY	10
11	L500080	BRKT/STEER COLUMN FRT.	1		L70123	FLASHER UNIT	1
		(Not Shown)			L70121	WIRE ASY	7
12	L500081	WLDMT/STEER BKT REAR	1		101356	CONNECTION BRIDGE	2
		(Not Shown)			L70244	5 A ATC FUSE	4
13	101713	BULBSEAL/RH SIDE WINDOW	1		L70245	10 A ATC FUSE	4
14	101714	GLASS/RH SIDE	1		L70246	20 A ATC FUSE	4
15	L500125	LATCH/PADDLE	1		L70247	30 A FUSE	4
	L500054	NUT/.25-20 NYLOCK	4		L500225	60 A FUSE	4
	L99157	KEY ONLY	1	38	101754	BLT, .38-16x4.5 HEX 304 SS	2
16	101772	STORAGE DOOR	1	39	101743	NUT, .38-16 HEXx TL-316SS	2
17	101773	BULBSEAL/STORAGE DOOR	1	40	101720	RETAINER/FLOORMAT	2
18	101774	TRIM/DIVIDER	1	41	101736	SCR M6x1x25 PAN PH	5
19	L69115	ISO MOUNT	4	42	101443	HARNESS/CANOPY	1
20	L69729	RETAINER WASHER	2		L500748	DIODE PACK, 3 DIODES	2
21	L50301	7/8-9 CLASS C LOCK NUT	4		L500747	DIODE PACK CLEAR COVER	2
22	L50300	BOLT, 7/8-9X5 HEX GR 5	4	43	101767	FRONT GUARD	1
23	101487	WASHER/CANOPY MOUNT	2	44	L50283	BOLT/1/2-13X1-1/4 GR5 HX	2
24	101667	RETAINER/CANOPY NUT	2	45	L50151	WASHER 1/2" FLAT	2
25	L50371	BOLT/3/8-16X2.5 HX GR5	4	46	L50367	BOLT/3/8-16X1 GR5 HX	2
26	L70017	PLUG/HOLE 2.25"	2	47	L50145	WASHER 3/8" FLAT	2
27	L66986	DEFROSTER FAN	1	48	L520005	NUT/3/8-16 CNTR LOC	2
28	L50208	1/4-20X1/2 SELF TAPSCREW	2	49	L70039	HEAD LIGHT	2
29	L66993	BRKT/DEFROSTER FAN	1		L70241	HEAD LIGHT HARNESS	2
30	L50896	10-24 NUT	3	50	101972	OPEN CANOPY (no interior)	1
31	L50655	10-24 BOLT	3	51	L71458	FRAME WIRE HARNESS	1
					L500569	DIODE PACK, 4 DIODES	1
					L500747	DIODE PACK CLEAR COVER	1
				52 ^a	NSS	STEREO, CD W/ACCESSORIES	1
				53	NSS	FOSS, RADIO OPTION	1
				54	102864	WELDMENT, RADIO KIT	1
				55	102866	SPEAKER, W/GRILL	2
				56	102743	ANTENNA, TOP/SIDE MOUNT	1

a For stereo parts not referenced, obtain locally.



Cab
(Thru S/N 65167)



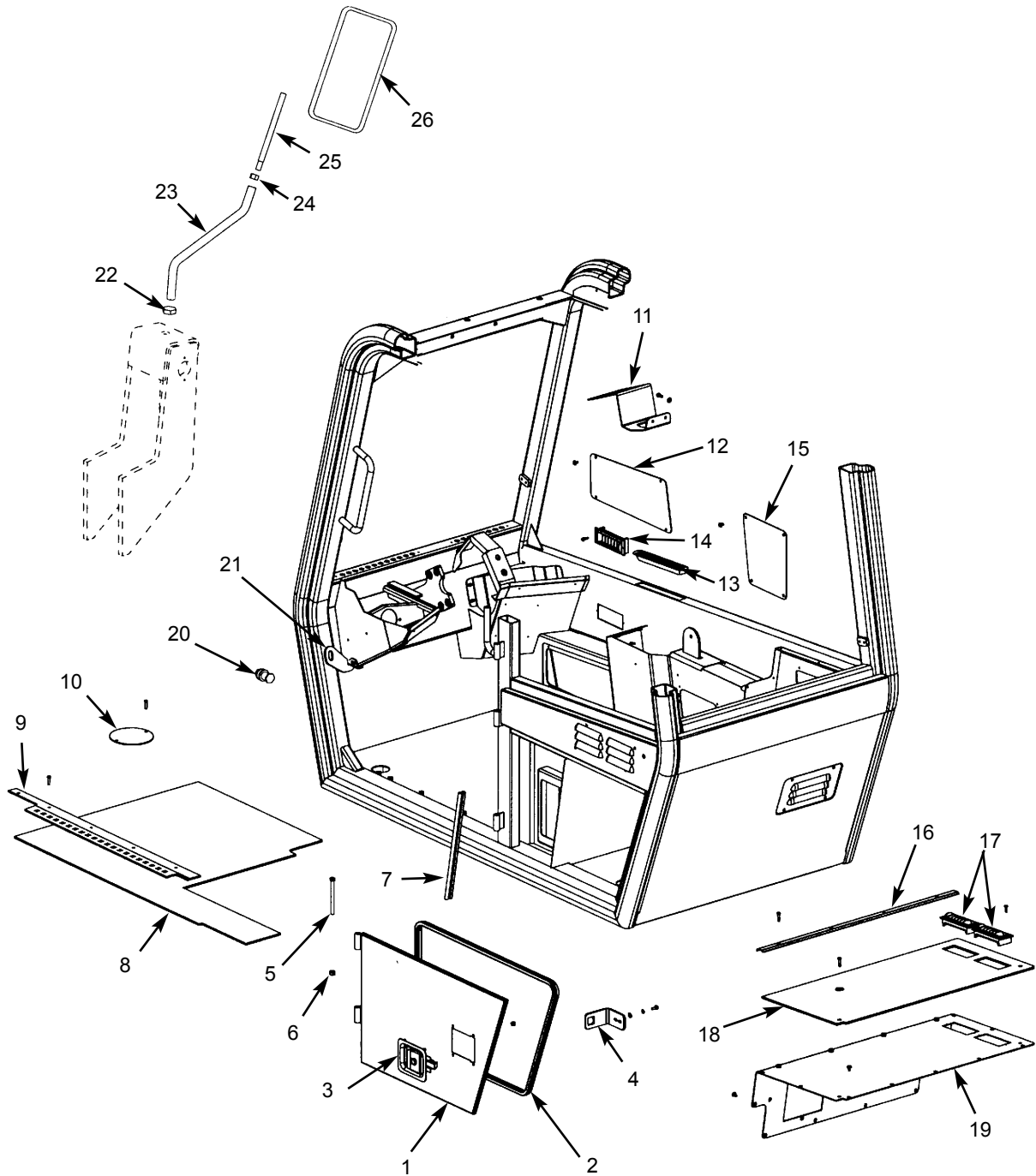
Cab
(Thru S/N 65167)

Ref. No.	Part No.	Description	Qty. Req.	Ref. No.	Part No.	Description	Qty. Req.
01	L70388	BREATHER	2	17	088296	STROBE LIGHT	1
02	L70359	TCT16 CONTROLLER	1		L50896	#10-24 HX NUT	2
	L520003	1/4"-20 NYLON INSERT NUT	4		L50135	#10 FLAT WASHER	2
03	L70448	ISO MOUNT	4	18	L71645	STROBE LIGHT MOUNT	1
	L50645	1/4"-20X3/8 GR5 BOLT	4		L500061	1/2"-13X1 1/2" BOLT	2
04	L70404	TCT16 WIRE HARNESS.	1		L500050	WASHER	2
05 ^a	L69137	FUSE/RELAYS BOX	1	19	L500058	WINDOW GASKET SEAL.	1
	L50655	RND HD SCREW #10-24X1/2	4	20 ^b	L500069	RIGHT GLASS.	1
	L70075	CHANGEOVER RELAY	10	21	L500057	WINDOW CLIP	6
	L70123	FLASHER UNIT.	1		L500055	#10-16X1.75 FLNG SCREW	12
	L70121	WIRE ASY.	7	22	L500068	FOPS WELDMENT	1
	L70122	CONNECTION BRIDGE	16	23	L50599	1/2"-13X1 1/2" BOLT GR5	7
	L70244	5 A ATC FUSE	4	24	L500050	WASHER	7
	L70245	10 A ATC FUSE.	10	25	L500969	CANOPY (KIT/REPLACEMENT)	1
	L70246	20 A ATC FUSE.	3	26	L71458	FRAME WIRE HARNESS.	1
	L70247	30 A FUSE.	1		L500569	DIODE PACK, 4 DIODES.	1
	L500225	60 A FUSE (<i>loc. near engine starter</i>)	1		L500747	DIODE PACK CLEAR COVER.	1
06	L71351	CANOPY WIRE HARNESS.	1	27	L66986	DEFROSTER FAN	1
07	L66011	LEVEL INDICATOR	1	28	L50208	1/4"-20X1/2" SELF TAP SCREW	2
	L50417	RND HD SCREW #8-32X1	2	29	L66993	BRACKET, DEFROSTER FAN	1
08	L69297	MOUNT PLATE	1	30	L50896	#10-24 NUT.	3
	L52025	BTTN HD BOLT 5/16-18X3/4.	2	31	L50655	#10-24 BOLT	3
09	L70039	HEAD LIGHT	2	32	101158	HARNESS, DEFROSTER FAN.	1
10	L70241	HEAD LIGHT HARNESS.	2		L42448	CONNECTOR, 14-16 GA. BUTT	4
	L70463	RUBBER GROMMET.	2		L67832	RUBBER GROMMET.	2
11	L69729	RETAINER WASHER	4	33 ^c	NSS	STEREO, CD W/ACCESSORIES.	1
12	L50300	7/8"-9X5" BOLT GR8	4	34	NSS	FOSS, RADIO OPTION.	1
13	L50301	7/8"-9 CLASS C LOCK NUT	4	35	102865	WLDMNT AND CLAMP, RADIO KIT 1	1
14	L69115	ISO MOUNT	4	36	102866	SPEAKER, W/GRILL.	2
15	L99974	BREATHER ACCESS PANEL.	1				
	L70116	TRHD ROLLING SCRW M6-1X12.	4				
16	L70471	FRONT WINDOW GUARD	1				
	L50283	1/2"-13X1 1/4" GR5 BOLT	2	00	102743	ANTENNA, TOP/SIDE MOUNT	1
	L50151	1/2" FLAT WASHER.	2	00	L500244	HEADLINER FOAM.	1
				00	L500245	HEADLINER	1

--- ITEMS NOT SHOWN---

- a Fuses and relays are not included.
- b Optional - L71223 Right Side Screen Panel, used in place of glass.
- c For stereo parts not referenced, obtain locally.

Cab
(Thru S/N 65167)

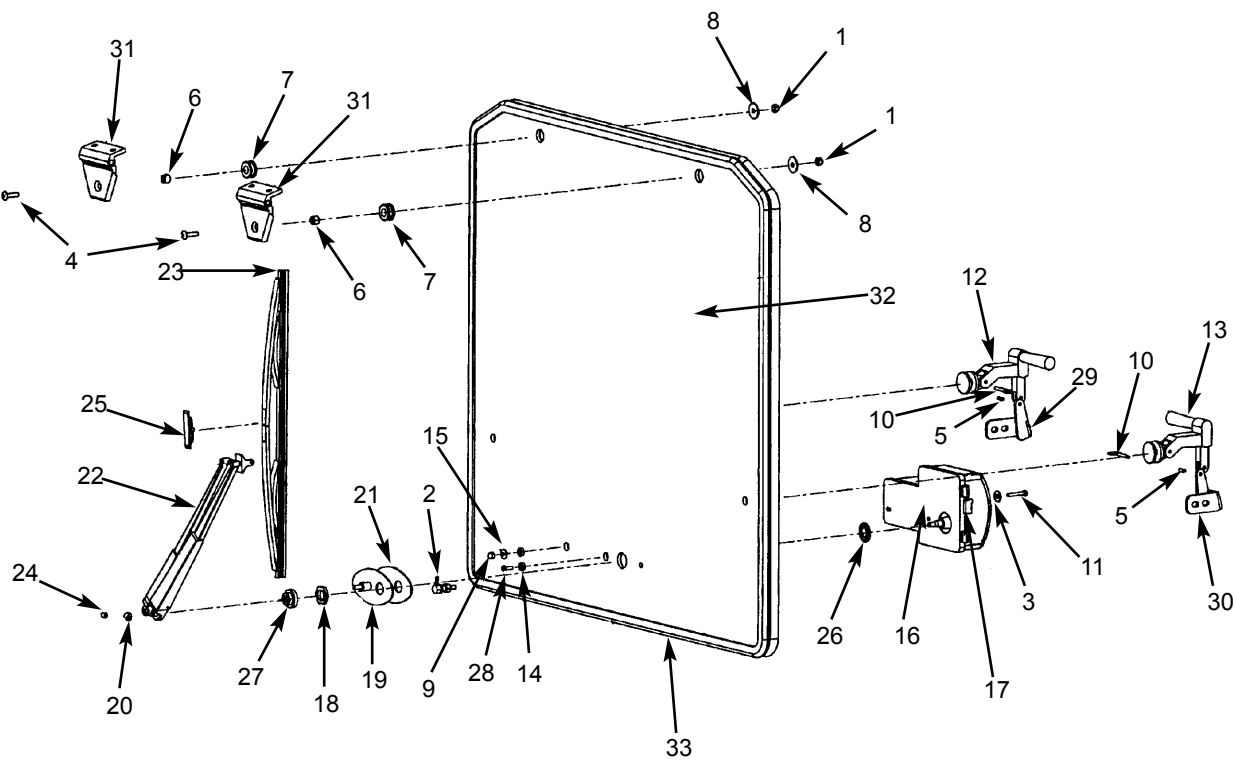


Cab
(Thru S/N 65167)

Ref. No.	Part No.	Description	Qty. Req.	Ref. No.	Part No.	Description	Qty. Req.
01	L500124	STORAGE DOOR	1	13	L500059	FIXED VANE LOUVER	1
02	L500082	BULB SEAL	1	14	L99843	RECTANGULAR LOUVER	1
03	L500125	PADDLE LATCH	1		L70487	10-16X3/4 SELF DRILL SCREW	2
	L99157	KEY ONLY	1	15	L500228	LOWER REAR COVER	1
04	L500067	DOOR STRIKER	1		L70116	M6-12X1 SCREW	4
	L50486	1/4-20X5/8 BOLT	2	16	L500075	DECK MAT RETAINER	1
	L50139	1/4" SPRING LOCK WAASHER	2		L700486	1/4-20X1 TORX HEAD BOLT	4
	L500023	1/4" FLAT WASHER	2	17	L99843	RECTANGULAR LOUVER	2
05	650697	3/8-16X6 BOLT	2		L70487	10-16X3/4 SELF DRILL SCREW	4
06	L500049	3/8-16 LOCK NUT	2	18	L500548	REAR DECK MAT	1
07	L500052	BULB SEAL	1	19	L500076	STORAGE COMP. LID	1
08	L500072	FLOOR MAT	1		L70116	M6-12X1 SCREW	14
09	L500071	FLOOR MAT RETAINER	1	20	L63548	STRIKER	1
	L70486	1/4-20X1 TORX HEAD BOLT	4	21	L500169	BRACKET, STRIKER	1
10	L500070	FLOAT GAUGE COVER	1	22 ^a	L50105	1-1/8" JAM NUT	1
11	L500077	JOYSTICK BRACKET	1	23 ^a	L70344	MIRROR BAR (BASE END)	1
	L50486	1/4-20X5/8 BOLT	4	24 ^a	L50081	5/8"-11 NUT	1
	L500023	1/4" FLAT WASHER	4	25 ^a	L70345	MIRROR BAR (MIRROR END)	1
12	L70055	LOWER FRONT COVER	1	26 ^a	L70417	SIDE MIRROR	1
	L70116	M6-12X1 SCREW	4				

a Mirror is used on all units regardless of the Serial Number on the machine.

Cab Enclosure - Front Glass
(S/N 65168 and Up)

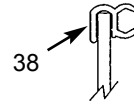


Cab Enclosure - Front Glass
(S/N 65168 and Up)

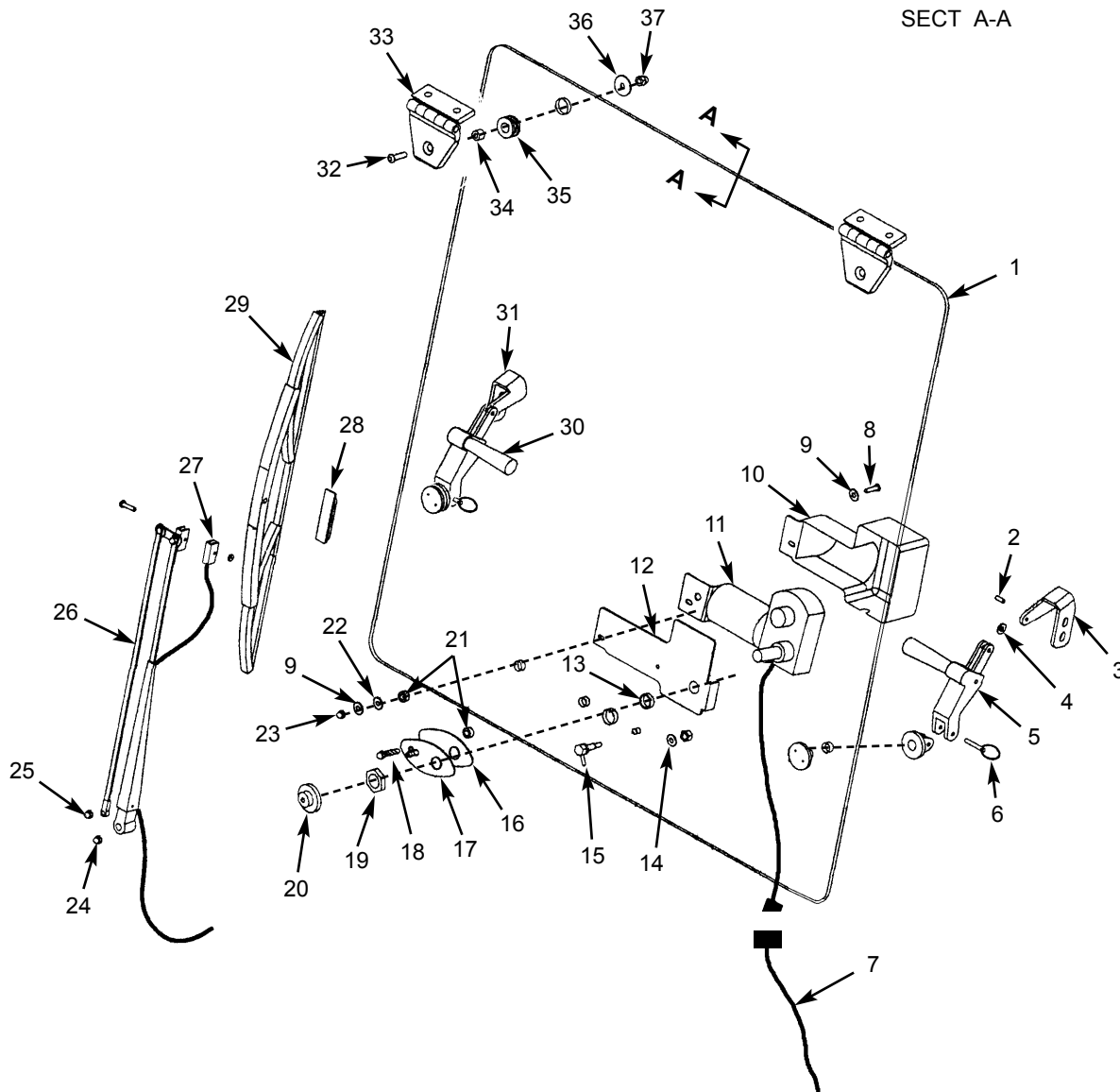
Ref. No.	Part No.	Description	Qty. Req.	Ref. No.	Part No.	Description	Qty. Req.
--	101764	COMPLETE ASSEMBLY.....	1	18	L500697	NUT M18 HEX.....	1
01	L500017	NUT/ACORN .25-20 BLK.....	2	19	L500719	PANTO ADAPTER PLATE.....	1
02	L500099	ADAPTOR/WET ARM.....	1	20	L500700	NUT / M8 PANTO PLATE.....	1
03	L500001	WASHER/BLK NYLON.....	1	21	L500701	GASKET / PANTO ADAPTER.....	1
04	L70486	SCREW/.25-20x1.0 BLK.....	2	22	L500702	WIPER ARM / PANTO 16".....	1
05	L500019	PIN/ROLL.....	2	23	L500703	WIPER BLADE / 20".....	1
06	L500020	BUSHING/NYLON.....	2	24	L500706	NUT / M5 ACORN.....	1
07	L500021	GROMMET/.50ID .25 GROOVE... 2	2	25	L500707	ADAPTER / PIN LOCK.....	1
08	L500022	WASHER/FLST BLACK.....	2	26	L500708	TOWER SEAL / TRICO WIPER ... 1	1
09	L500004	NUT/ACORN #10-24 BLK.....	1	27	L500709	RAIN SHIELD.....	1
10	L500025	PIN/DETENT RING.....	2	28	L500711	SCREW / M5 16mm.....	1
11	L500718	BOLT / 10-24x1.25 HEX GR5.....	1	29	L500030	BRACKET/HOLD OPEN R.....	1
12	L500027	HOLD OPEN/L STYLE.....	1	30	L500031	BRACKET/HOLD OPEN L.....	1
13	L500028	HOLD OPEN/L STYLE.....	1	31	L500111	HINGE, FRONT WINDOW.....	2
14	L500694	BUSHING / NYLON.....	2		L500038	NUT, .25-20, ACORN (BLACK)... 4	4
15	650584	FW #10 AZY.....	1		101734	BOLT, .25-20x.88 TRS TX.....	4
16	L500695	WIPER MOTOR / TRICO.....	1	32	101725	GLASS, FRONT WINDOW.....	1
17	L500696	COVER, WIPER MOTOR.....	1	33	101726	BULBSEAL. FRONT WINDOW....	1

Cab Enclosure - Front Glass

SPLICE AT BOTTOM CENTER



SECT A-A



Cab Enclosure - Front Glass

Thru S/N 65165

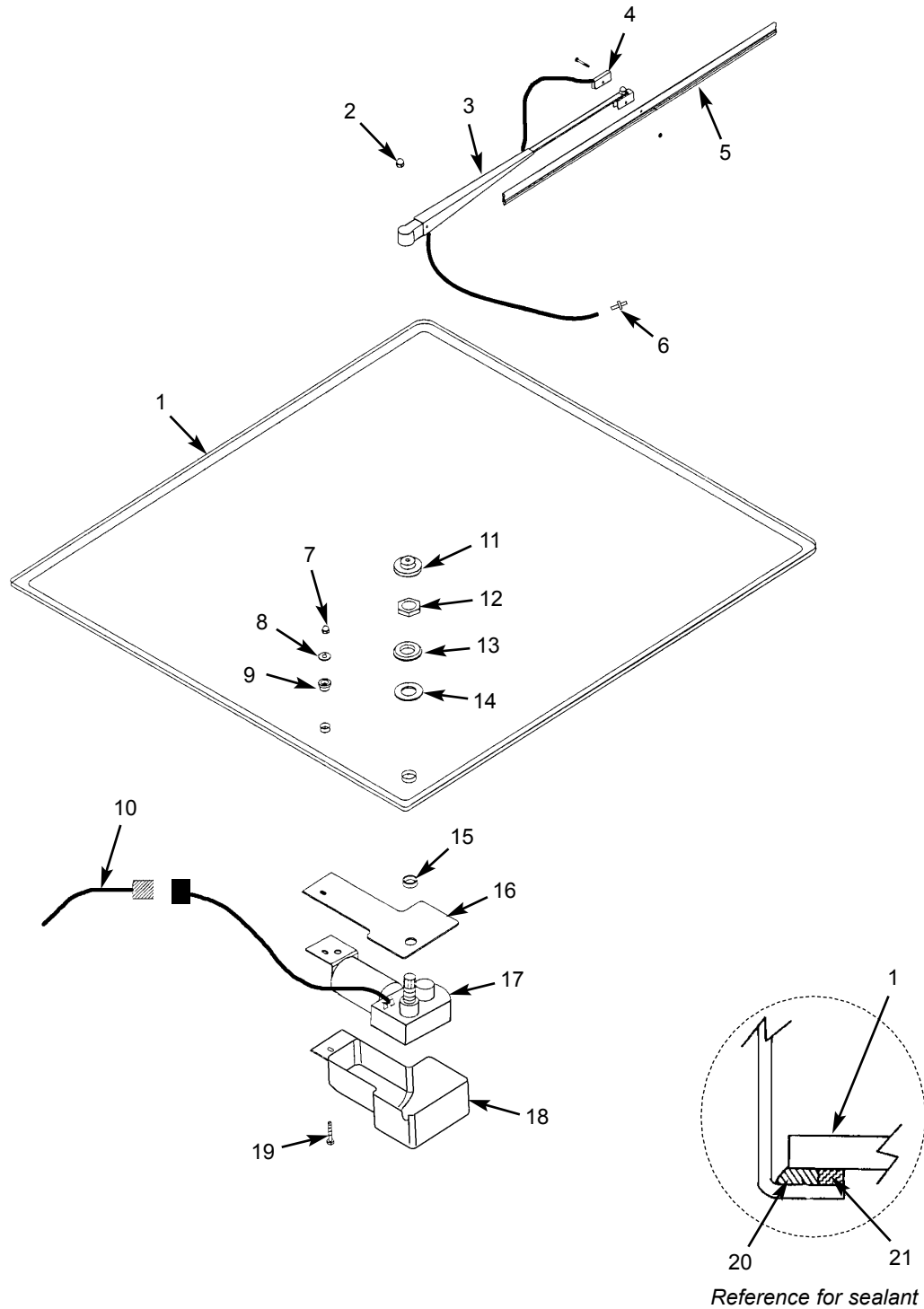
S/N 65166 thru 65167

Ref. No.	Part No.	Description	Qty. Req.
01	L500109	FRONT GLASS	1
02	L500019	ROLL PIN 3/16X1/2	2
03	L500031	L. HOLD OPEN BRACKET	1
	L50486	1/4-20X5/8 BOLT	2
	L50139	1/4" LOCK WASHER	2
	L50137	1/4" FLAT WASHER	2
04	L500023	FLATWASHER. 1/4"ID.	2
05	L500028	L STYLE HOLD OPEN	1
06	L500025	DETENT RING PIN	2
07	L500113	FR. WINDOW WIRE HARNESS	1
08	L500112	#10-32X7/8 RND HD SCREW	1
09	L500001	NYLON WASHER .26" ID	2
10	L500110	FR. WIPER MTR. COVER (Includes item 12)	1
11	L99848	WIPER MOTOR	1
	NSS	BLUE LOCKTITE®	AR
12	L500110	FR. WIPER MTR. COVER (Included with item 10)	1
13	L500108	NYLON SPACER 5/16"ID	1
14	L500098	NYLON WASHER .31"ID.	1
15	L500099	WET ARM ADAPTOR	1
16	L500107	PANTO ADAPTOR GASKET	1
17	L500101	WIPER ARM PANTO ADAP. (Included with item 26)	1
18	L500103	#10-24X3/4 RND HD SCREW	1
19	NSS	NUT (Included with item 17)	1
20		NOT USED	
21	L500114	NYLON BUSHING .25"ID	2
22	L500104	RUBBER WASHER .18"ID	1
23	L500004	#10-24 ACORN NUT	2
24		NOT USED	
25		NOT USED	
26	L500101	WIPER ARM, PANTO 16" (Includes item 17)	1
27	L500106	WET ARM KIT	1
28		NOT USED	
29	L500102	WIPER BLADE, 20"	1
30	L500027	L STYLE HOLD OPEN	1
31	L500030	R. HOLD OPEN BRACKET	1
	L50486	1/4-20X5/8 BOLT	2
	L50139	1/4" LOCK WASHER	2
	L50137	1/4" FLAT WASHER	2
32	L70486	1/4-20X1 TORXSCREW	2
33	L500111	FRONT WINDOW HINGE	2
34	L500020	NYLON BUSHING .25"ID	2
35	L500021	GROMMET 1/2"ID	2
36	L500022	FLATWASHER. .28" ID	2
37	L500017	1/4-20 ACORN NUT BLACK	6
	NSS	BLUE LOCKTITE®	AR
38	L500032	BULB SEAL	1

Ref. No.	Part No.	Description	Qty. Req.
01	L500713	FRONT GLASS	1
02	L500019	ROLL PIN 3/16X1/2	2
03	L500031	L. HOLD OPEN BRACKET	1
	L50486	1/4"-20X5/8" BOLT	2
	L50139	1/4" LOCK WASHER	2
	L50137	1/4" FLAT WASHER	2
04	L500023	FLATWASHER. 1/4"ID.	2
05	L500028	L STYLE HOLD OPEN	1
06	L500025	DETENT RING PIN	2
07	L500715	FR. WINDOW WIRE HARNESS	1
08	L500718	#10-32X7/8" RND HD SCREW	1
09	L500001	NYLON WASHER .26" ID	2
10	L500696	FR. WIPER MTR. COVER (Includes item 12)	1
11	L500695	WIPER MOTOR	1
	NSS	BLUE LOCKTITE®	AR
12	L500696	FR. WIPER MTR. COVER (Included with item 10)	1
13	Note a	SEAL	1
14	L500098	NYLON WASHER .31"ID.	1
15	L500099	WET ARM ADAPTOR	1
16	L500701	GASKET, PANTO ADAPTOR	1
17	L500719	PANTO ADAPTOR PLATE	1
18	L500711	SCREW, M5 16MM	1
19	L500697	NUT (Included with item 11)	1
20	L500709	RAIN SHIELD	1
21	L500694	NYLON BUSHING	2
22	L500104	RUBBER WASHER .18"ID	1
23	L500004	#10-24 ACORN NUT	2
24	L500700	NUT, M8	1
25	L500706	NUT, M5 ACORN	1
26	L500702	WIPER ARM, PANTO 16" (Included with item 26)	1
27			
28	L500707	PIN LOCK ADAPTER	1
29	L500703	WIPER BLADE, 20"	1
30	L500027	L STYLE HOLD OPEN	1
31	L500030	R. HOLD OPEN BRACKET	1
	L50486	1/4-20X5/8 BOLT	2
	L50139	1/4" LOCK WASHER	2
	L50137	1/4" FLAT WASHER	2
32	L70486	1/4-20X1 TORXSCREW	2
33	L500111	FRONT WINDOW HINGE	2
34	L500020	NYLON BUSHING .25"ID	2
35	L500021	GROMMET 1/2"ID	2
36	L500022	FLATWASHER. .28" ID	2
37	L500017	1/4-20 ACORN NUT BLACK	6
	NSS	BLUE LOCKTITE®	AR
38	L500032	BULB SEAL	1

a Use L500712 for glass with 3/4" diameter hole.
Use L500708 for glase with 1" diameter hole.

Cab Enclosure - Top Glass



Cab Enclosure - Top Glass

Thru S/N 65165

S/N 65166 thru 65167

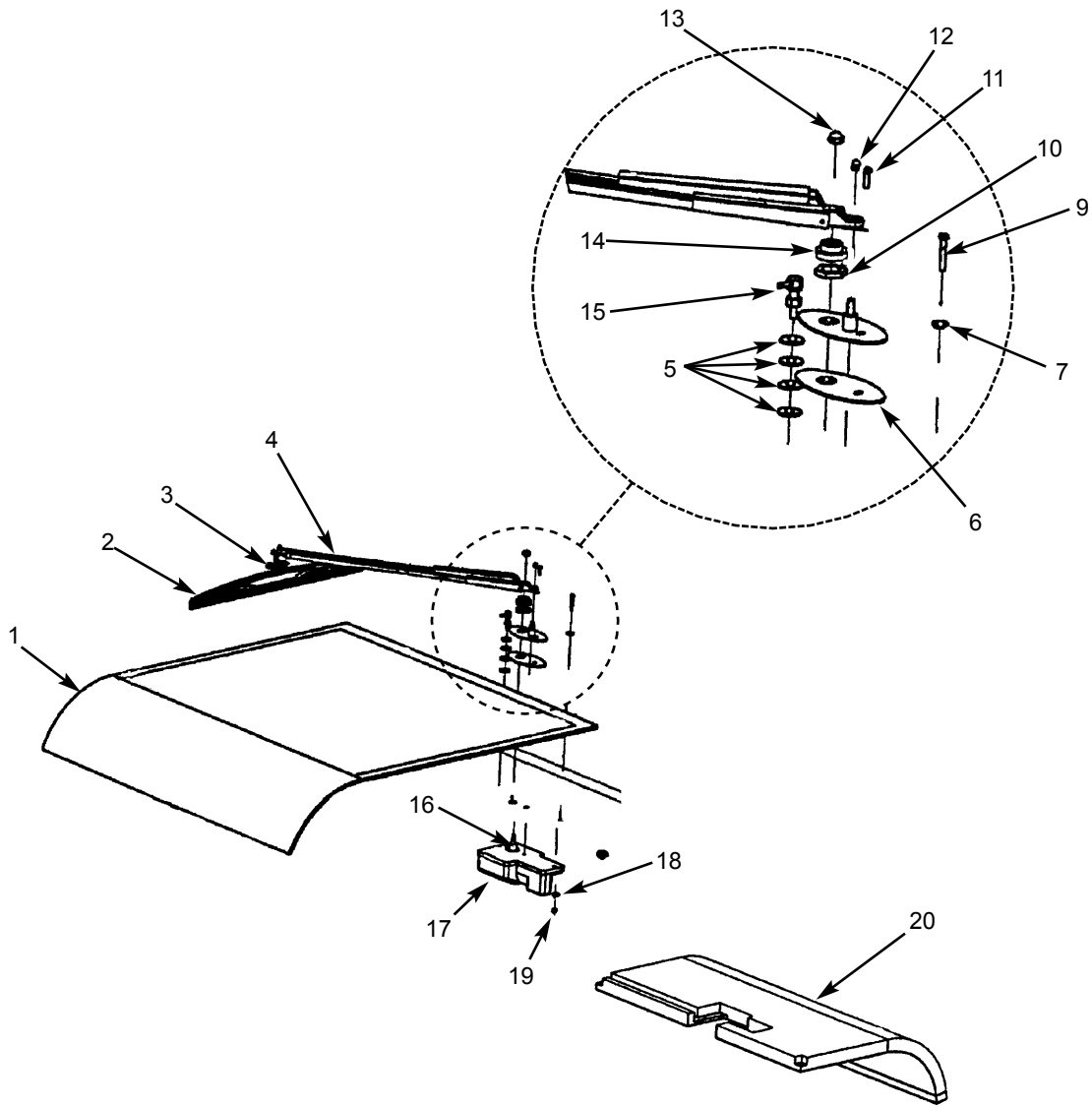
Ref. No.	Part No.	Description	Qty. Req.
01	L500011	TOP GLASS	1
02		NOT USED	
03	L500009	RADIAL WIPER ARM	1
04	L500008	WET ARM KIT	1
05	L500002	WIPER BLADE, 20"	1
06	L500016	HOSE REDUCER	1
07	L500004	#10-24 ACORN NUT	1
	NSS	BLUE LOCKTITE®	AR
08	L500001	FLATWASHER. .26"ID.	1
09	L500104	RUBBER WASHER. .187"ID.	1
	L500003	NYLON BUSHING 1/4"ID.	1
10	L500014	TOP WIND. WIRE HARNESS.	1
11		NOT USED	1
12	NSS	(Included with item 17)	1
13	NSS	(Included with item 17)	1
14	NSS	(Included with item 17)	1
15	L500108	NYLON SPACER 3/4"ID.	1
16	L500013	WIPER MOTOR COVER.	1
		(Includes item 18)	
17	L99848	WIPER MOTOR.	1
	NSS	BLUE LOCKTITE®	AR
18	L500013	WIPER MOTOR COVER.	1
		(Included with item 16)	
19	L500006	#10-24X7/8" RND HD SCREW	1
	L500001	FLATWASHER. .26"ID (Note a)	1
20	L500607	GLUE KIT	1
21	L500005	SETTING BLOCK	8

a Part not shown.

Ref. No.	Part No.	Description	Qty. Req.
01	L500714	TOP GLASS	1
02	L500680	NUT, M8 HEX (Trico motor)	1
03	L500705	RADIAL WIPER ARM	1
04	L500008	WET ARM KIT	1
05	L500704	WIPER BLADE, 20"	1
06	L500016	HOSE REDUCER	1
07	L500004	#10-24 ACORN NUT	1
	NSS	BLUE LOCKTITE®	AR
08	L500001	FLATWASHER. .26"ID.	1
09	L500717	GROMMET, T-STYLE RUBBER	1
10	L500716	TOP WIND. WIRE HARNESS.	1
11	L500709	RAIN SHIELD	1
12	L500697	NUT, M18 HEX	1
13	L500699	WASHER, STEEL M18	1
14	L500698	WASHER, FIBER M18	1
15	Note b	SEAL	1
16	L500710	GASKET, TRICO MOTOR.	1
17	L500695	WIPER MOTOR, TRICO	1
18	L500696	WIPER MOTOR COVER.	1
19	L500718	#10-24X1-1/14" HEX HD SCREW	1
20	L500607	GLUE KIT	1
21	L500005	SETTING BLOCK	8

*b Use L500712 for glass with 3/4" diameter hole.
Use L500708 for glase with 1" diameter hole.*

Cab Enclosure - Top Glass and Headliner
(S/N 65168 and Up)

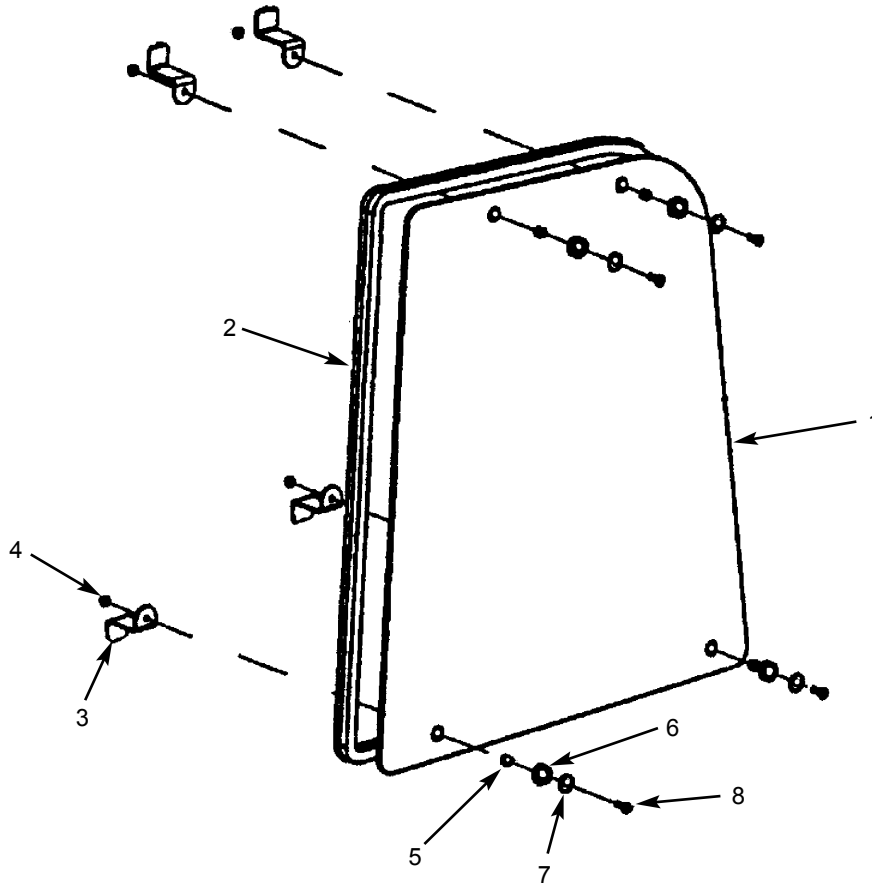


Cab Enclosure - Top Glass and Headliner*(S/N 65168 and Up)*

Ref. No.	Part No.	Description	Qty. Req.	Ref. No.	Part No.	Description	Qty. Req.
01	101723	GLASS, SKYLIGHT CURVED.....	1	11	L500711	SCREW / M5 16MM	1
02	L500703	WIPER BLADE / 20"	1	12	L500706	NUT / M5 ACORN	1
03	L500709	RAIN SHIELD	1	13	L500700	NUT / M8 PANTO PLATE	1
04	101718	ARM, WIPER 24" WET PANTO ...	1	14	L500709	RAIN SHIELD	1
05	L500098	WASHER/BLK NYLON	4	15	L500099	ADAPTER/WET ARM	1
06	L500701	GASKET / PANTO ADAPTER.....	1	16	L500695	WIPER MOTOR / TRICO	1
07	101717	WASHER, #10 WEATHERTITE ...	1	17	L500696	COVER WIPER MOTOR.....	1
08	L500719	PANTO ADAPTER PLATE.....	1	18	L500001	WASHER/BLK NYLON	1
09	L500718	BOLT / 10-24x1.25 HEX GR5	1	19	L500004	NUT/ACORN #10-24 BLK.....	1
10	L500697	NUT M18 HEX.....	1	20	101716	HEADLINER	1

Cab Enclosure - Left Glass

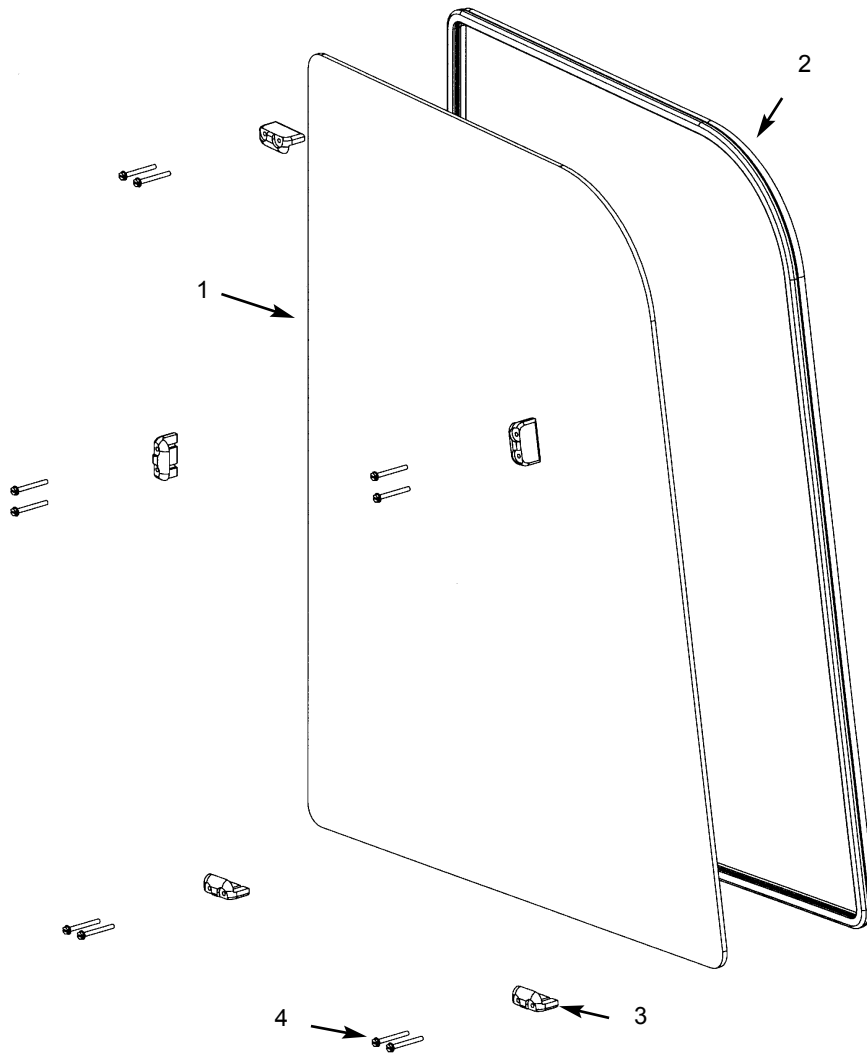
(S/N 65168 and Up)



Ref. No.	Part No.	Description	Qty. Req.	Ref. No.	Part No.	Description	Qty. Req.
01	101724	GLASS LH SIDE	1	05	L500020	BUSHING/NYLON	4
02	101722	BULBSEAL, LH REAR WINDOW . .	1	06	L500021	GROMMET/.50id .25 GROOVE . . .	4
03	101715	CLIP, Z	4	07	L500022	WASHER/FLAT BLACK	4
04	L500017	NUT/ACORN .25-20 BLK	4	08	101733	BLT, .25-20x.88 TRS TX	4

Cab Enclosure - Left Glass

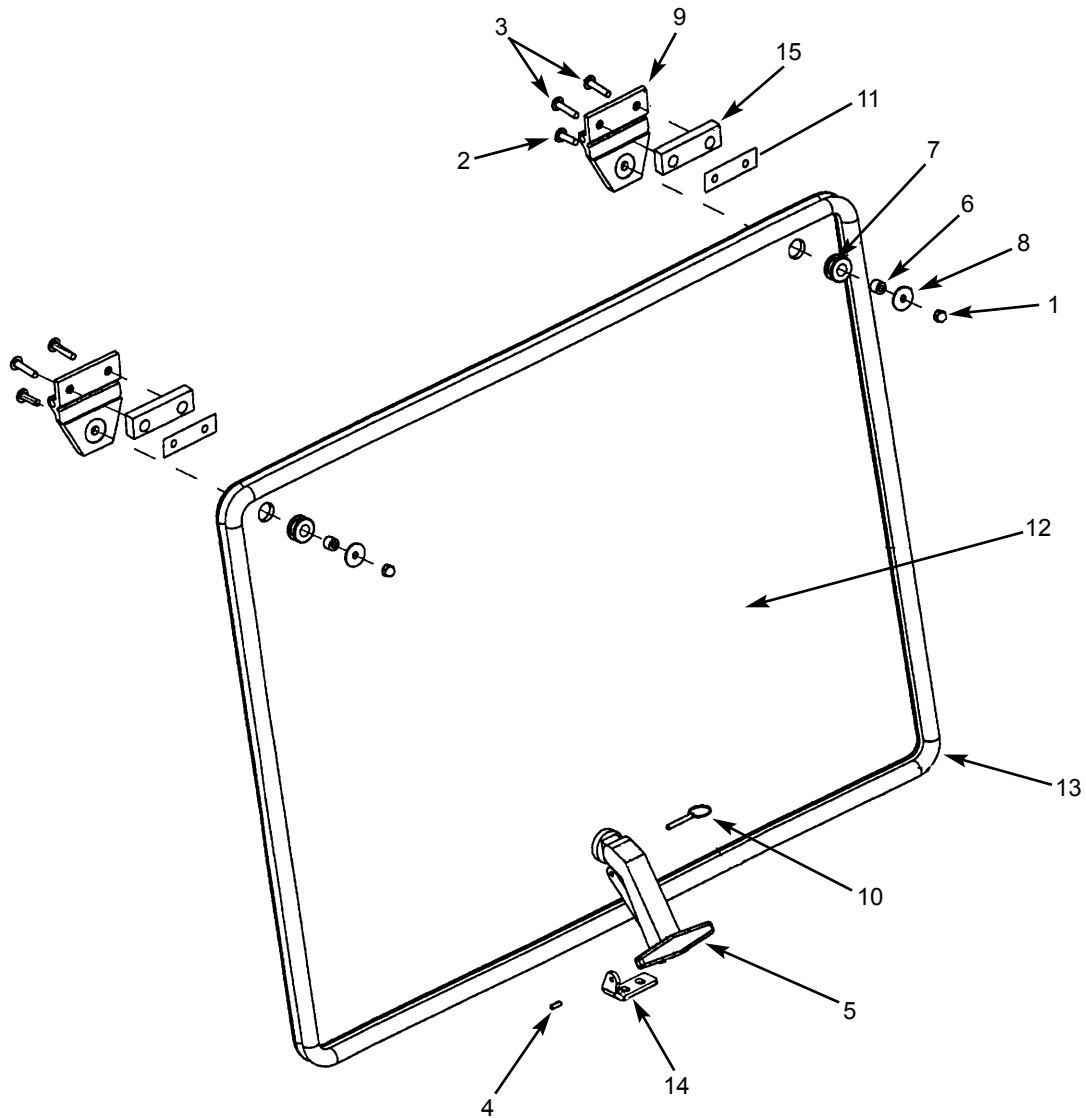
(Thru S/N 65167)



Ref. No.	Part No.	Description	Qty. Req.	Ref. No.	Part No.	Description	Qty. Req.
-	L500117	COMPLETE ASSEMBLY.....	1	03	L500057	WINDOW CLIP	5
01	L500033	LEFT REAR GLASS	1	04	L500055	#10-16X1.75 FLNG SCREW.....	10
02	L500032	BULB SEAL 1/4" CLIP ON	1				

Cab Enclosure - Rear Glass

(S/N 65168 and Up)

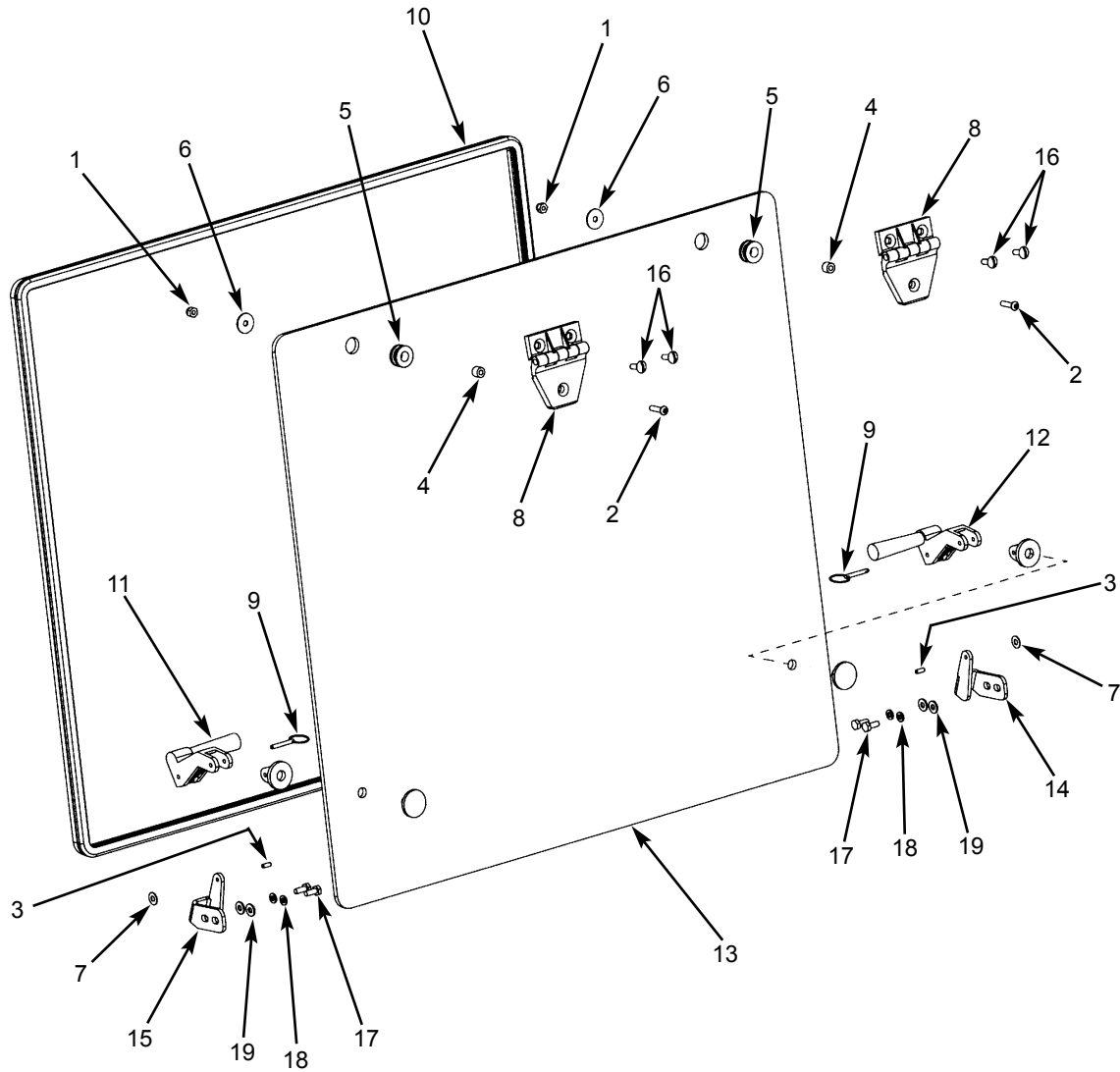


Cab Enclosure - Rear Glass*(S/N 65168 and Up)*

Ref. No.	Part No.	Description	Qty. Req.	Ref. No.	Part No.	Description	Qty. Req.
--	101761	COMPLETE ASSEMBLY.....	1	08	L500022	WASHER/FLAT BLACK.....	2
01	L500017	NUT/ACORN .25-20 BLK	2	09	L500024	HINGE/PLASTIC	2
02	L70486	SCREW/.25-20x1.0 BLK	2	10	L500025	PIN/DETENT RING	1
03	101732	BLT., .25-20x1.25 TRS G5 ES5BF .	4	11	101790	GASKET	2
04	L500019	PIN/ROLL	1	12	101728	GLASS, REAR WINDOW	1
05	101727	HOLD OPEN, WINDOW T-STYLE .	1	13	101729	BULBSEAL, REAR WINDOW	1
06	L500020	BUSHING/NYLON.....	2	14	101730	MOUNT, REAR WINDOW LATCH .	1
07	L500021	GROMMET/.50ID .25 GROOVE... .	2	15	101731	HINGE BLOCK	2

Cab Enclosure - Rear Glass

(Thru S/N 65167)

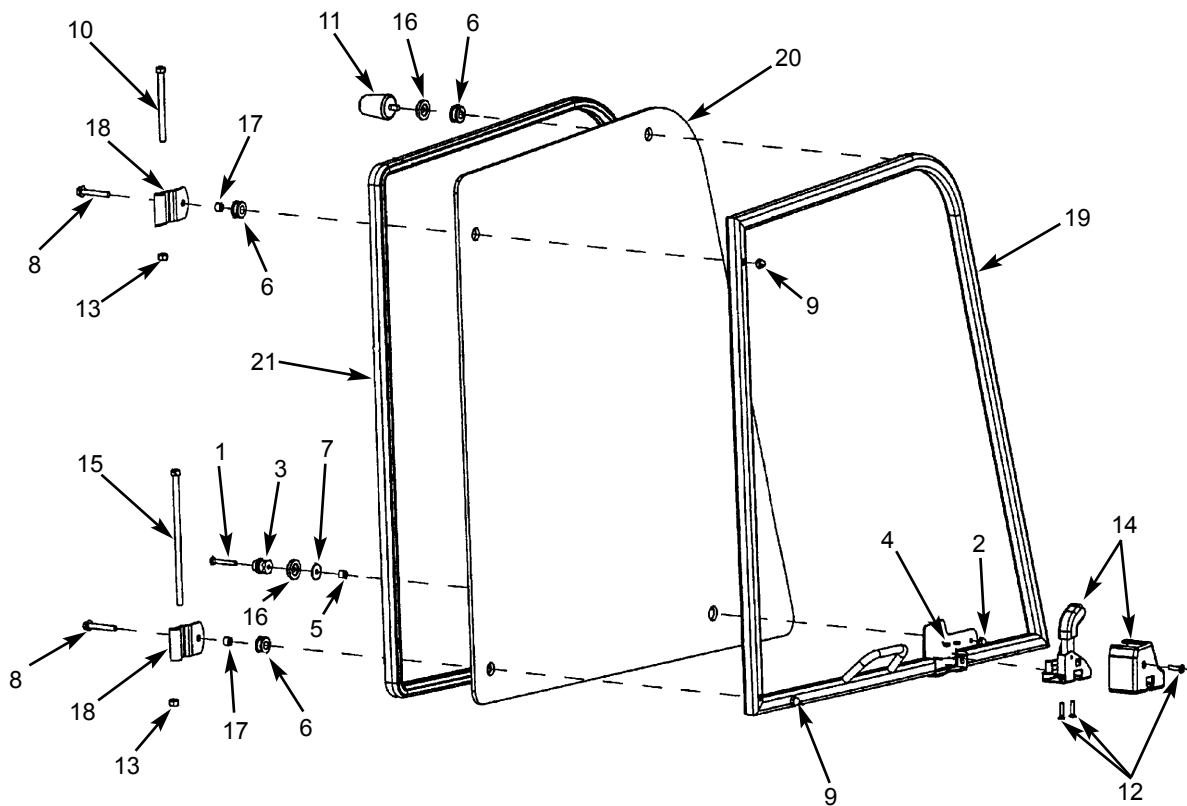


Cab Enclosure - Rear Glass

(Thru S/N 65167)

Ref. No.	Part No.	Description	Qty. Req.	Ref. No.	Part No.	Description	Qty. Req.
01	L500017	1/4-20 ACORN NUT	2	10	L500026	BULB SEAL	1
	NSS	BLUE LOCKTITE®	AR	11	L500027	RH HOLD OPEN	1
02	L70486	1/4-20X1 TORX SCREW	2	12	L500028	LH HOLD OPEN	1
03	L500019	ROLL PIN 3/16X1/2	2	13	L500029	REAR GLASS	1
04	L500020	NYLON BUSHING 1/4"ID	2	14	L500030	LH HOLD OPEN BRACKET	1
05	L500021	GROMMET 1/2"ID	2	15	L500031	RH HOLD OPEN BRACKET	1
06	L500022	FLATWASHER. .28"ID	2	16	L50328	1/4-20X3/4 TORX SCREW	4
07	L500023	FLATWASHER. 1/4"ID	2	17	L50486	1/4-20X5/8 GR5 BOLT	4
08	L500024	PLASTIC HINGE	2	18	L50139	1/4" LOCK WASHER	4
09	L500025	DETENT RING PIN .188"	2	19	L50137	1/4" FLAT WASHER	4

Cab Enclosure - Upper Door
(S/N 65168 and Up)

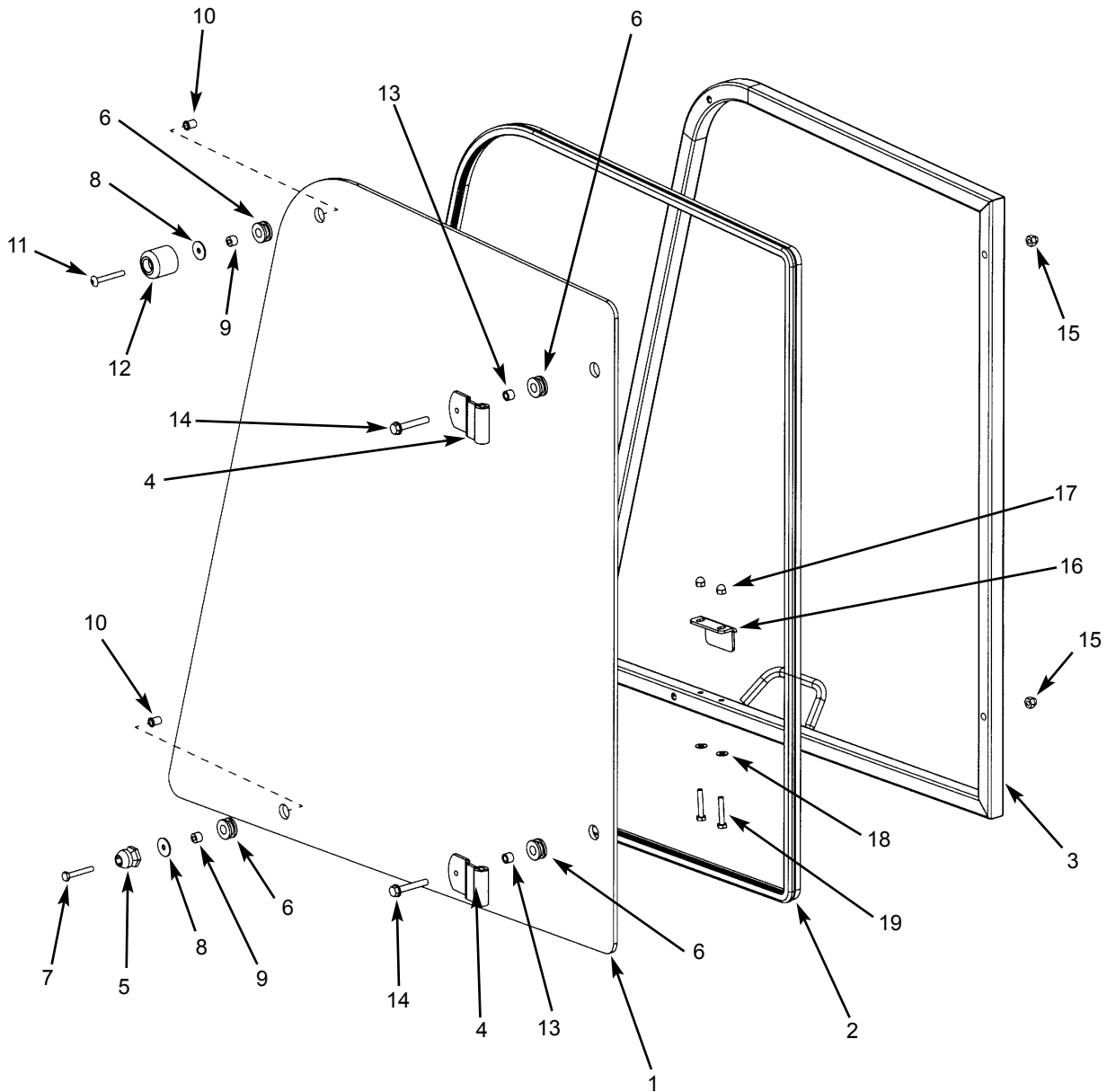


Cab Enclosure - Upper Door

(S/N 65168 and Up)

Ref. No.	Part No.	Description	Qty. Req.	Ref. No.	Part No.	Description	Qty. Req.
--	101763	COMPLETE ASSEMBLY.....	1	11	101709	BUMPER, RUBBER 2" CONE	1
01	L500034	SCREW/HEX.....	1	12	101755	BLT, M6x1x25 FLT PH ES5YZ	3
02	L500017	NUT/ACORN .25-20 BLK	1	13	101743	NUT, .38-16 HEX TL-316SS	2
03	L500036	HOLD OPEN/DOOR	1	14	101756	LATCH, ROTARY RIGHT	1
04	101753	NUT, HEX M6x1 YZ DR 10.9	2	15	101757	BLT, .38-16x8.5 HEX SS	1
05	L500020	BUSHING/NYLON.....	1	16	101719	GLASS MOUNT	2
06	L500021	GROMMET/.50id .25 GROOVE ...	3	17	L500042	BUSHING/STEEL	2
07	L500114	BUSHING/NYLON-WHITE	1	18	101750	HINGE, LOWER DOOR	2
08	L500037	BOLT/BLK TRUSS HEAD	2	19	101758	WLDMNT, UPPER DOOR.....	1
09	L500038	NUT/ACORN BLACK	2	20	L500967	GLASS, UPPER DOOR	1
10	101754	BLT, .38-16x4.5 HEX 304 SS	1		L500607	GLUE KIT.....	1
				21	101759	BULBSEAL, UPPER DOOR	1

Cab Enclosure - Upper Door
(Thru S/N 65167)



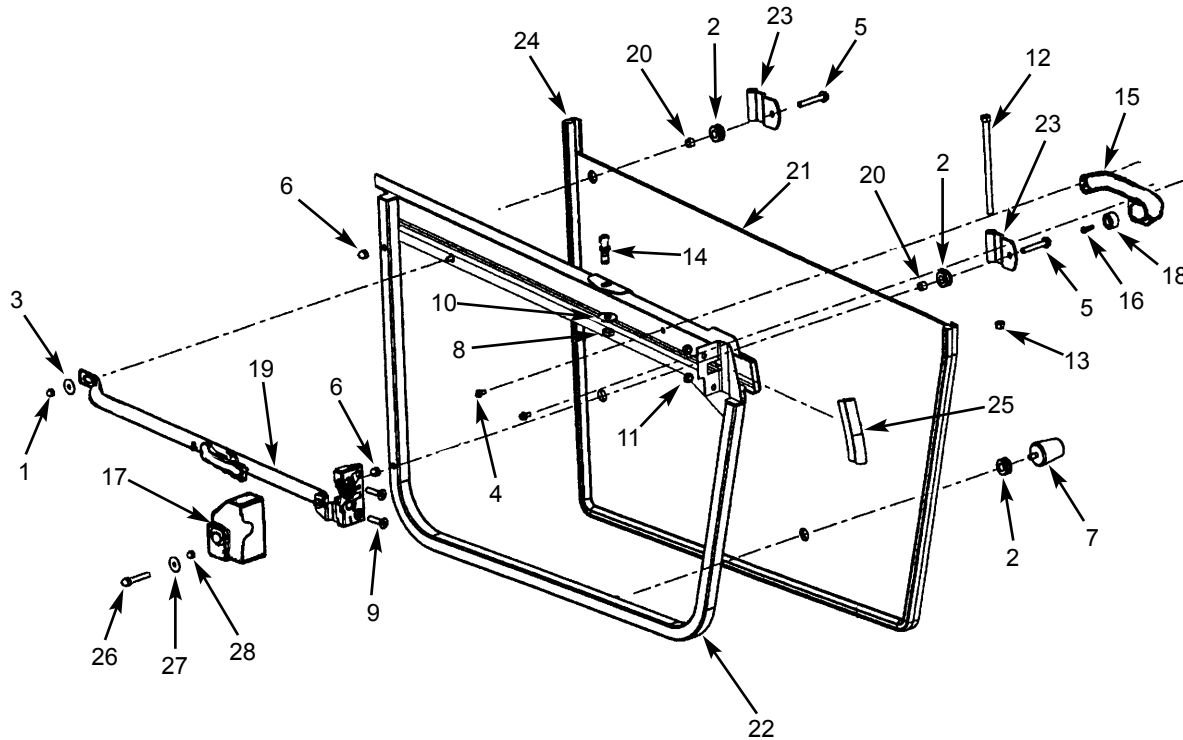
Cab Enclosure - Upper Door

(Thru S/N 65167)

Ref. No.	Part No.	Description	Qty. Req.	Ref. No.	Part No.	Description	Qty. Req.
--	L500355	COMPLETE ASSEMBLY.....	1	10	L500040	1/4-20 NUTSERT	2
01	L500360	UPPER DOOR GLASS	1	11	L500269	1/4-20X2 TORX HD SCREW	1
02	L500039	UPPER DOOR BULB SEAL	1	12	L500268	RUBBER BUMPER.....	1
03	L500359	UPPER DOOR FRAME.....	1	13	L500042	STEEL BUSHING	2
04	L500043	HINGE	2	14	L500037	5/16-18X2 TRUSS HD SCREW ...	2
05	L500036	DOOR HOLD OPEN	1	15	L500038	5/16-18 ACORN NUT	2
06	L500021	GROMMET	4	16	L500046	STRIKER.....	1
07	L500034	1/4-20X1 3/4 BOLT	1	17	L500017	1/4-20 ACORN NUT	2
08	L500022	1/4" FLAT WASHER	2	18	L500023	FLAT WASHER	2
09	L500020	NYLON BUSHING.....	2	19	L500041	1/4-20X1 1/2 HEX HD SCREW....	2

Cab Enclosure - Lower Door

(S/N 65168 and Up)



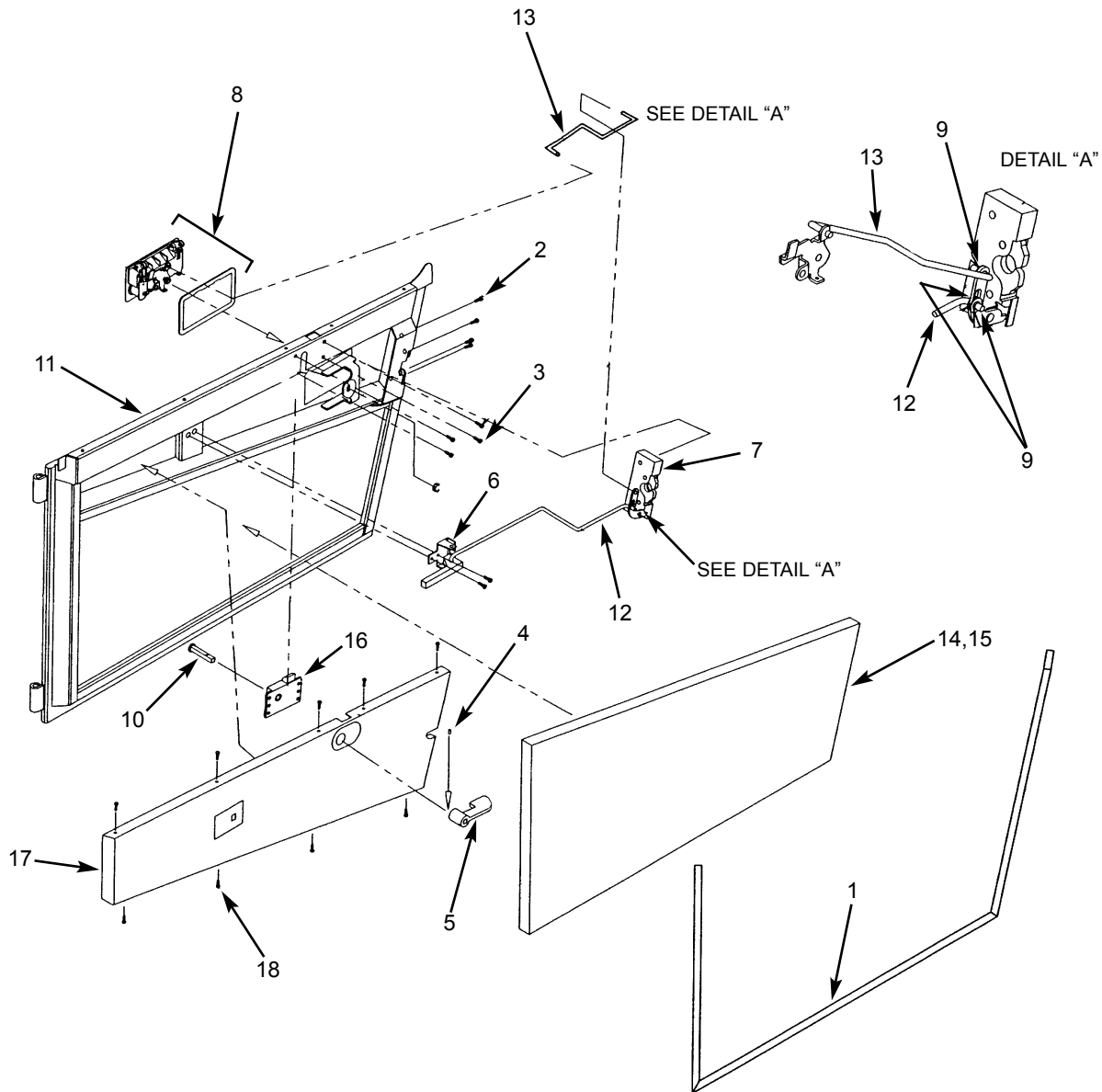
Cab Enclosure - Lower Door

(S/N 65168 and Up)

Ref. No.	Part No.	Description	Qty. Req.	Ref. No.	Part No.	Description	Qty. Req.
--	101762	COMPLETE ASSEMBLY.....	1	15	101744	HANDLE, EXT. DOOR LOCKING..	1
01	L500017	NUT/ACORN .25-20 BLK	1		101792	KEY ONLY	1
02	L500021	GROMMET/.50id .25 GROOVE ...	3	16	101745	BOLT, M5x.8x20 PAN PH	1
03	L500022	WASHER/FLAT BLACK.....	1	17	101746	COVER, GRAB HANDLE LATCH..	1
04	101737	SCR, M6x1x12 FLG YZD	2	18	101747	BUMPER, RECESS	1
05	L500037	BOLT/BLK TRUSS HEAD	2	19	101748	CAM LATCH, LH	1
06	L500038	NUT/ACORN BLACK	2	20	L500042	BUSHING/STEEL	2
07	101709	BUMPER, RUBBER 2" CONE	1	21	L500966	GLASS, LOWER DOOR	1
08	101738	NUT, M12x1 HEX ES5CZ	1		L500607	GLUE KIT.....	1
09	101739	BOLT, M8x1.25x35	2	22	101749	WLDMNT, LOWER DOOR	1
10	101740	WASHER, .5x1.25x.083 FLT Z ...	1	23	101750	HINGE, LOWER DOOR	2
11	101741	NUT M8x1.25 HEX NK ES5CZ....	2	24	101751	BULBSEAL, LOWER DOOR.....	1
12	101742	BOLT, .38-16x5.0.....	1	25	101752	INSIDE SEAL, LOWER DOOR....	1
13	101743	NUT, .38-16 HEX TL-316SS	1	26	101793	BOLT, M8X20 HEX FLNG HD.....	1
14	101710	STRIKER, M12x1x25	1	27	L500098	WASHER/BLK NYLON	1
				28	101794	NUT, M8 HEX YZ.....	1

Cab Enclosure - Lower Door

(Thru S/N 65167)

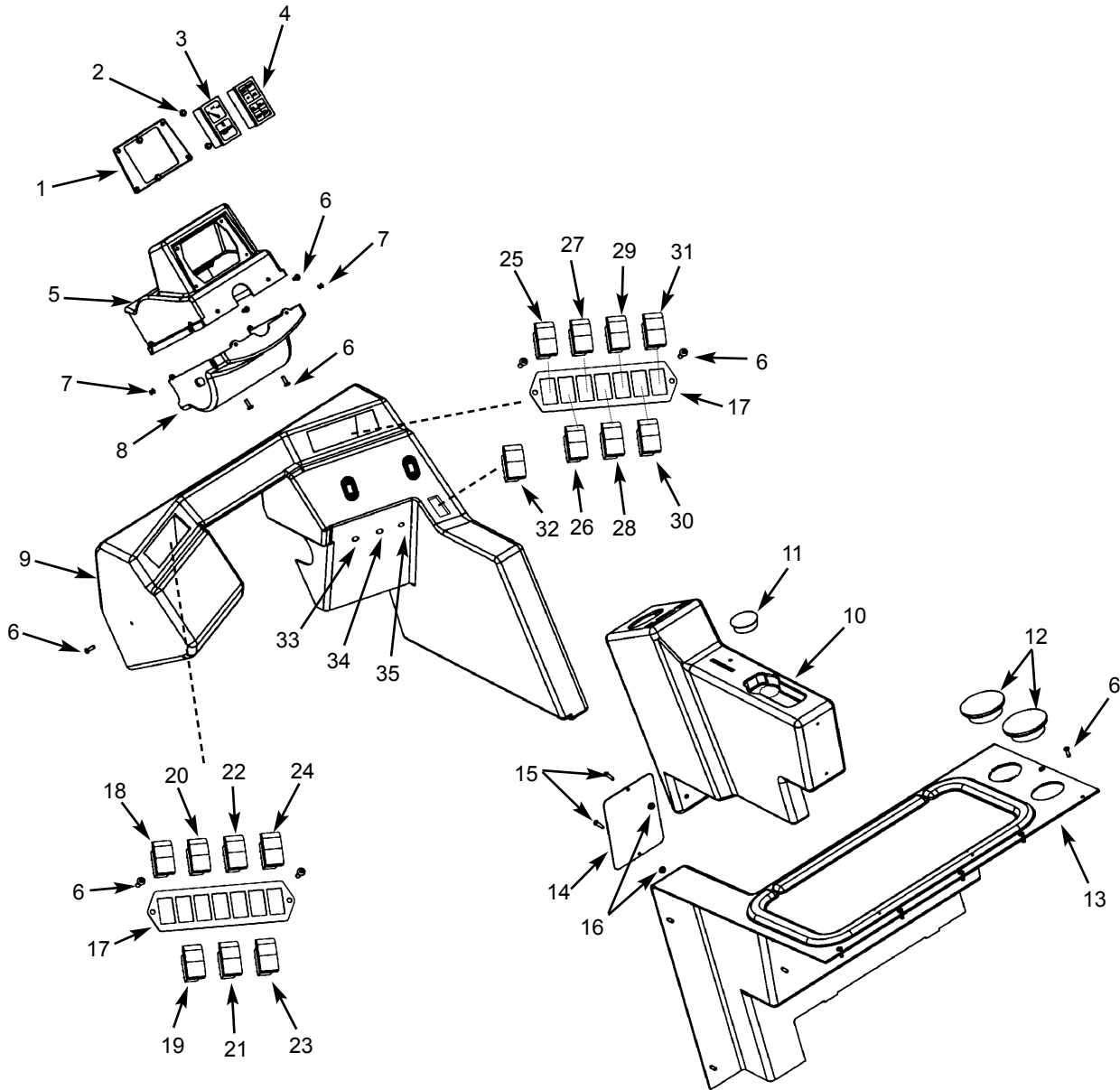


Cab Enclosure - Lower Door

(Thru S/N 65167)

Ref. No.	Part No.	Description	Qty. Req.	Ref. No.	Part No.	Description	Qty. Req.
-	L500120	COMPL. ASY.	1	09	L500090	INTERNAL TOOTH RETAINER ...	3
01	L500082	BULB SEAL	1	10	L500091	LH DRIVE BAR WELD.....	1
02	L500083	1/4-20X3/4 TRUSS HD SCREW...	4	11	L500092	LOWER DOOR WELD.....	1
03	L500084	#10-24X1/2 TRUSS HD SCREW ..	6	12	L500093	DOOR RELEASE ROD.....	1
04	651574	#8-32x1-1/8" SOCKT HD SCREW .	1	13	L500094	DOOR LATCH SHORT ROD.....	1
	166776	#8-32 NUT	1	14	L500095	DOOR CARPET	1
05	L500086	RELEASE LEVER	1	15	NSS	CONTACT ADHESIVE	AR
	L66907	INSIDE DOOR HANDLE	1	16	L500096	SLAM LATCH WELD.....	1
	L50212	#10-24 X 1/4" SETSCREW.....	1	17	L500097	DOOR PLASTIC	1
06	L500087	LH INSIDE HANDLE ASY.	1	18	L70116	M6-12X1 SCREW	9
07	L500088	RH ROTARY LATCH	1				
08	L500089	PADDLE LATCH	1				
	L99157	KEY/CAB (CH751)	1				

Dash/Tilt Plastic Housing Group
(S/N 65168 and Up)



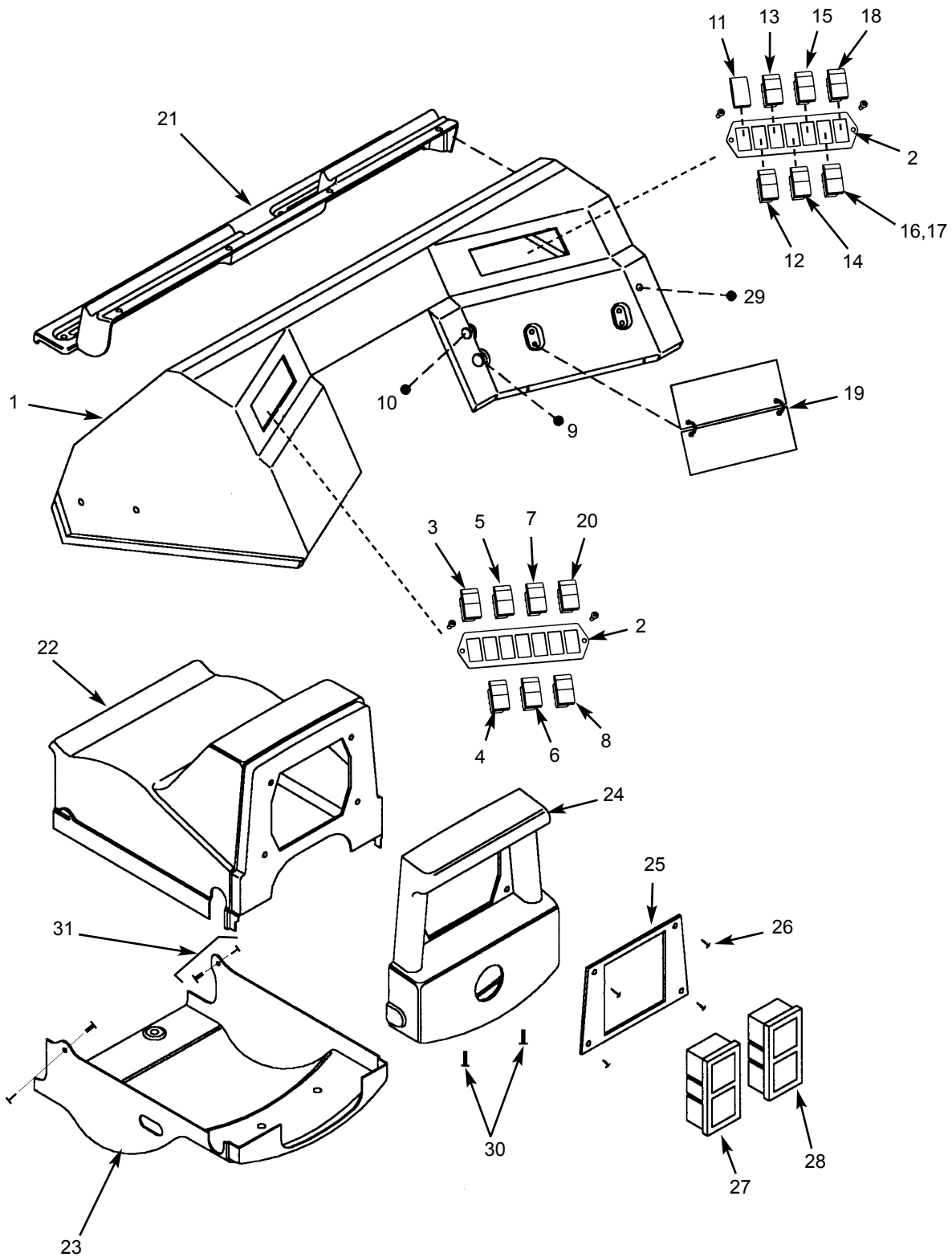
Dash/Tilt Plastic Housing Group
(S/N 65168 and Up)

Ref. No.	Part No.	Description	Qty. Req.	Ref. No.	Part No.	Description	Qty. Req.
01	L69466	PLATE / GAUGE MOUNT	1	22 ^a	L71084	SWITCH / TURN SIGNALS.	1
02	L70501	RIVET / REMOVABLE.	4	23 ^a	L71083	SWITCH / BEACON	1
03	L69489	GAUGE / FUEL-HOURMETER.	1	24	L71691	SWITCH / WORK PLATFORM	1
04	L69490	GAUGE / INDICATORS.	1	25 ^a	L71531	SWITCH / AUX. HYDRAULICS.	1
05	101492	PLASTIC / UPPER STEER COL.	1	26	L71086	SWITCH / CLUTCH CUT-OUT	1
06	101550	SCREW / 1/4-20x.75" PHILLIPS.	32	27 ^a	L71081	SWITCH / ETHER INJECTION.	1
07	L69825	BINDING POST & SCREW.	2	28 ^a	L71076	SWITCH / WIPER-WASHER.	1
08	101491	PLASTIC / LOWER STEER COL.	1	29 ^a	L71078	SWITCH / FAN SPEED.	1
09	101490	PLASTIC / DASH.	1	30 ^a	L71080	SWITCH / HEATER & A/C.	1
10	101493	PLASTIC / RH CONSOLE.	1		L71079	SWITCH / HEATER ONLY	1
11	L70017	PLUG / 2.25" HOLE.	1	31	L71074	SWITCH / PARK BRAKE.	1
12	101524	PLUG / 3.0" HOLE.	2	32	101278	SWITCH / ENGINE FAULT	1
13	101494	PLASTIC / REAR DECK.	1	33	089069	IGNITION SWITCH.	1
14	101528	COVER / RECIRC VENT HOLE.	1		089070	KEY ONLY	1
15	L70486	SCREW / .25-20x1.0 BLK	2	34	L41848	START PUSH BUTTON	1
16	L50051	NUT / 1/4-20 WHIZ LOCK ZP.	2	35	101378	HEATER CONTROL W/CABLE.	1
17	L71709	BEZEL / 7 HOLE SWITCH	2		L99983	KNOB ONLY.	1
18	L71075	SWITCH / STEER MODE	1				
19	L71085	SWITCH / AXLE ALIGNMENT	1				
20 ^a	L71082	SWITCH / LIGHTS	1				
21 ^a	L71077	SWITCH / HAZARD LIGHTS	1				

a When unit is not equipped with this option, use part number L71088 Switch Hole Plug.

Dash/Tilt Plastic Housing Group

(Thru S/N 65167)



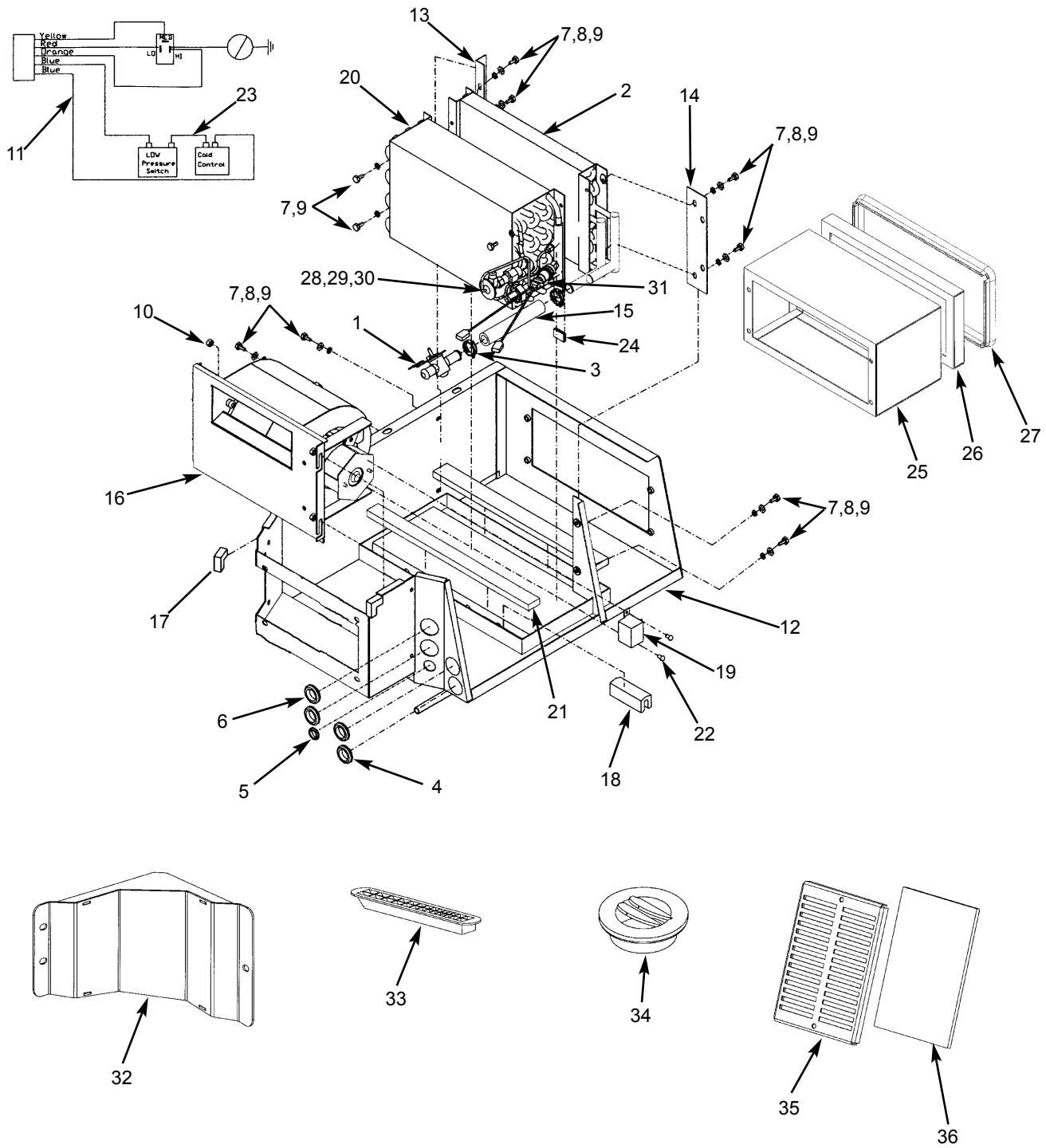
Dash/Tilt Plastic Housing Group

(Thru S/N 65167)

Ref. No.	Part No.	Description	Qty. Req.	Ref. No.	Part No.	Description	Qty. Req.
01	L71681	FRONT DASH PLASTIC.....	1	17 ^a	L71079	HEAT ONLY SWITCH.....	1
	L70116	M6-12X1 SCREW.....	8	18	L71074	PARK BRAKE SWITCH.....	1
02	L71709	SWITCH MOUNT PLATE.....	2	19	L69402	LOAD CHART PLATE.....	10
	L70486	1/4-20X1 TORX SCREW.....	2		L63887	U-BOLT 1/4-20.....	2
	L52027	WELD NUT 1/4-20.....	2		L50051	1/4-20 SERRATED FLNG NUT...	8
03	L71075	STEER MODE SWITCH.....	1	20	L71691	WORK PLATFORM SWITCH.....	1
04	L71085	AXLE ALIGN SWITCH.....	1	21	L69546	DASH PLASTIC.....	1
05 ^a	L71082	LIGHTS SWITCH.....	1	22	L69551	COLUMN TOP PLASTIC.....	1
06 ^a	L71077	HAZARD SWITCH.....	1	23	L69549	COLUMN BOTTOM PLASTIC.....	1
07 ^a	L71084	TURN SIGNAL SWITCH.....	1		L70116	M6-12X1 SCREW.....	4
08 ^a	L71083	BEACON SWITCH.....	1	24	L69548	COLUMN FACE PLASTIC.....	1
09	089069	START SWITCH.....	1	25	L69466	GAUGE MOUNT PLATE.....	1
	089070	KEY ONLY.....	1	26	L70501	REMOVABLE RIVET.....	4
10	L41848	START PUSH BUTTON.....	1	27	L69489	FUEL/HOURMETER GAUGE.....	1
11	L71531	SWITCH, AUX. HYDRAULICS....	1	28	L69490	INDICATOR GAUGE.....	1
12 ^a	L71081	ETHER SWITCH.....	1	29	L99844	ROTARY SWITCH, HEAT.....	1
13	L71086	CLUTCH CUT-OUT SWITCH.....	1		L99983	KNOB ONLY.....	1
14 ^a	L71076	WIPER/WASHER SWITCH.....	1		L99845	CONTROL CABLE 84".....	1
15 ^a	L71078	FAN SPEED SWITCH.....	1	30	L69824	PLASTIC RIVET.....	2
16 ^a	L71080	HEAT/AC SWITCH.....	1	31	L69825	BINDING SCREW.....	2

a *When unit is not equipped with this option, use part # L71088 Switch Hole Plug.*

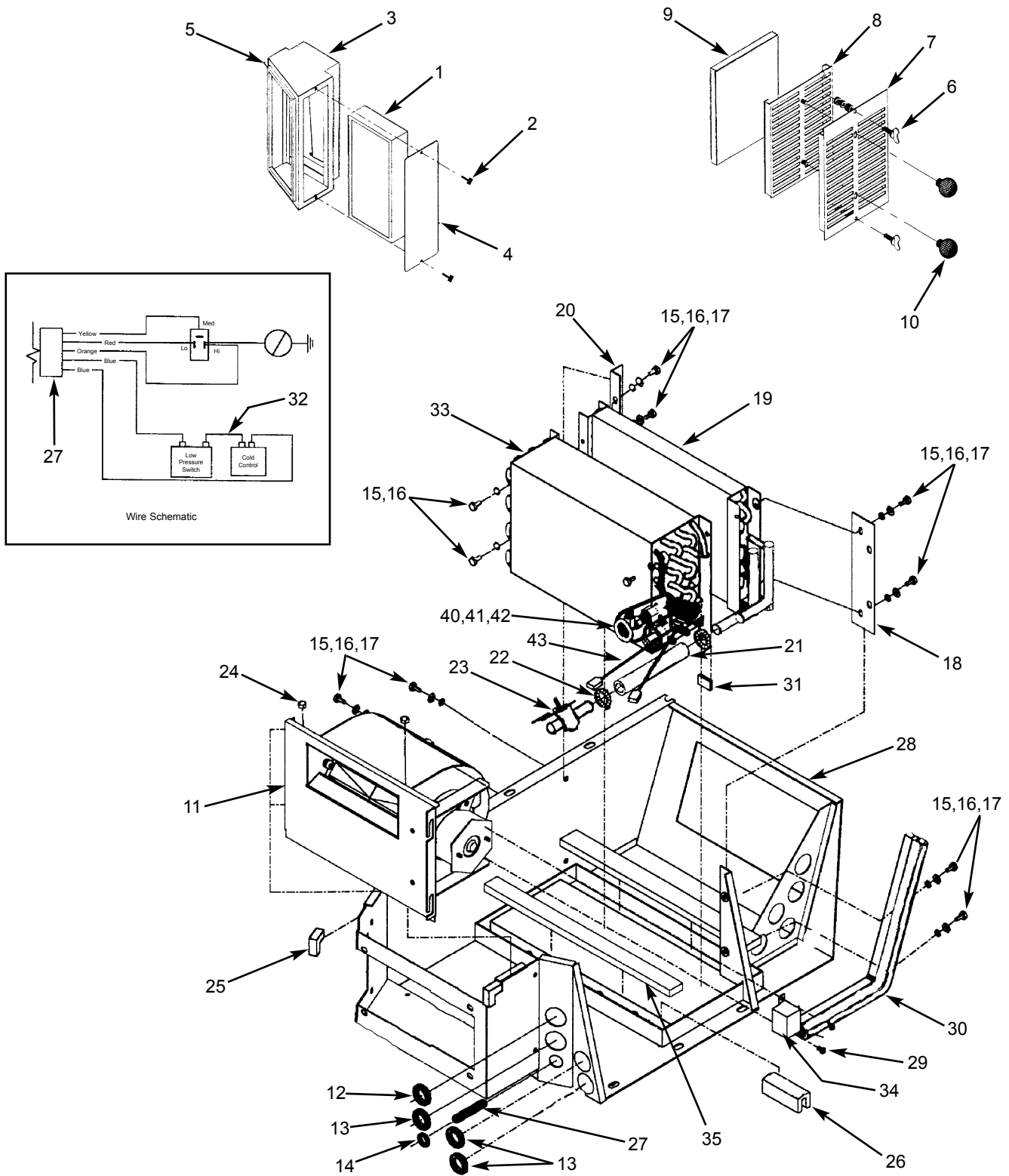
Heater - A/C Group
(S/N 65168 and Up)



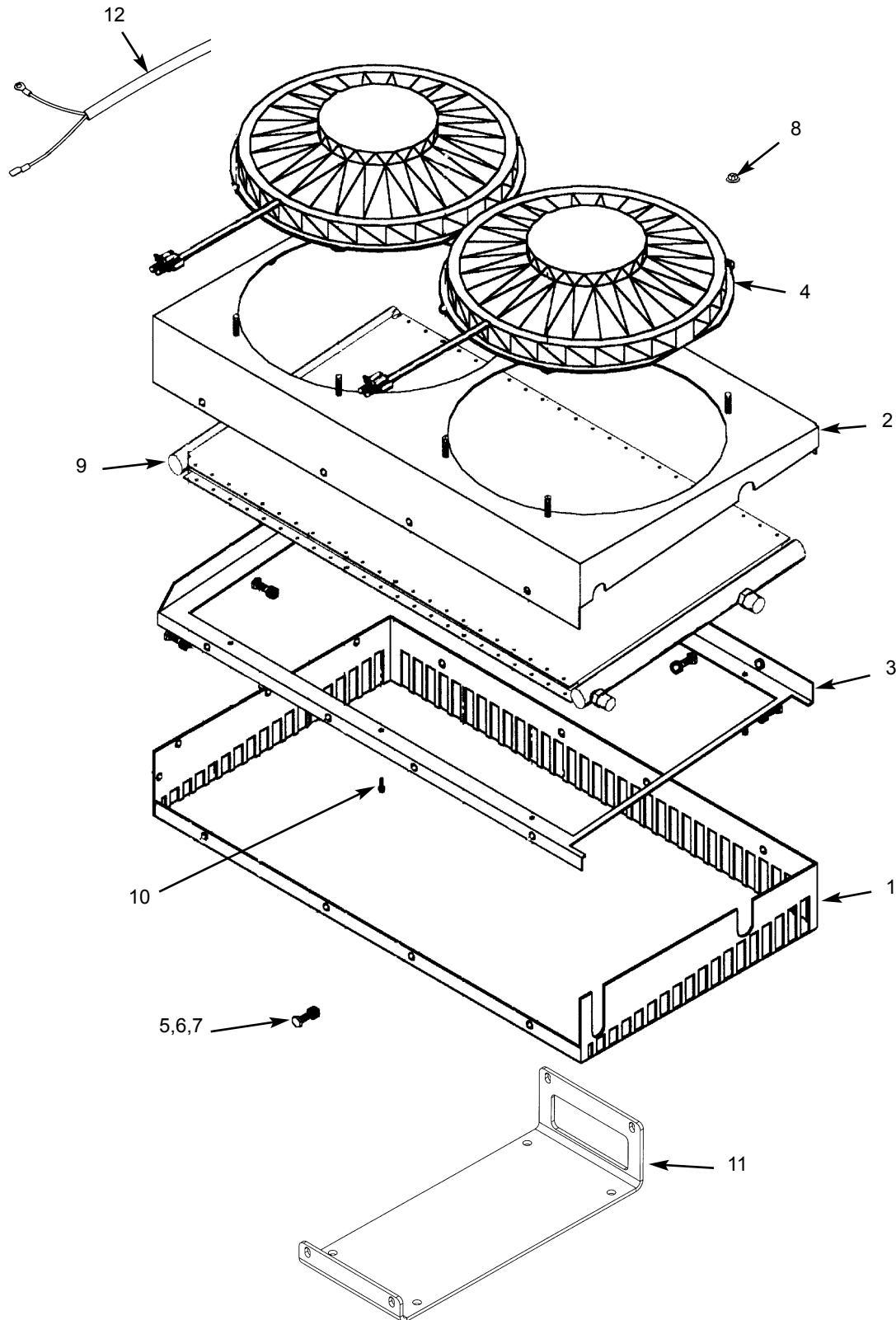
Heater - A/C Group
(S/N 65168 and Up)

Ref. No.	Part No.	Description	Qty. Req.	Ref. No.	Part No.	Description	Qty. Req.
01	L500163	VALVE / WATER	1	23	L500575	WIRE ASSEMBLY	1
02	L500162	COIL / HEATER	1	24	L500574	MOUNTING CLIP	1
03	L500161	CLAMP / HOSE	2	25	101840	FILTER HOUSING	1
04	L500160	GROMMET / 1-3/8 X 1	3	26	101843	FILTER	1
05	L500159	GROMMET / 7/8 X 5/8	1	27	101841	HOUSING BULBSEAL	1
06	138563	GROMMET / 1-1/4 X 7/8	1	28	L500403	VALVE / EXPANSION	1
07	L500157	CAPSCREW, 1/4-20X1/2	11	29	L500665	O-RING #4	1
08	L50137	FLAT WASHER, 1/4"	8	30	L500664	O-RING #8	1
09	654022	LOCK WASHER, 1/4"	11	31	L500666	LOW PRESSURE SWITCH	1
10	L50051	NUT / 1/4-20 WHIZ LOCK ZP	4	32	101650	HEATER DUCT	1
11	L500578	WIRE HARNESS	1		L50208	SCREW / 1/4-20X1/2	3
12	101825	MAIN HOUSING WLDMNT	1	33	L500059	LOUVER / FIXED VAIN	1
13	L500152	BRACKET / COIL LH	1	34	137502	LOUVER / ROUND 3"	2
14	L500151	BRACKET / COIL RH	1	35	101849	COVER / RECIRC FILTER	1
15	L500150	HOSE / HEATER	1	36	101848	RECIRCULATING FILTER	1
16	L500398	ASY / BLOWER	1				
17	L500148	STRIP / WEATHERSTRIP	1				
18	L500147	STRIP / TRIM	1				
19	L500577	COLD CONTROL, PRE-SET	1	00	101378	HEATER CONTROL W/CABLE	1
20	L500576	EVAPORATOR COIL, 6 ROW	1		L99983	KNOB ONLY	1
21	L500580	DRAIN FOAM	2	00	101508	DECAL / HEATER CONTROL	1
22	L500570	SEMS SCREW	2	00	L99847	HEATER HOSE	16 FT.
				00	L99966	SHUTOFF VALVE	1
						(Mounted on Engine)	
						-- EXTERNAL COMPONENTS NOT SHOWN --	

Heater - A/C Group
(Thru S/N 65167)



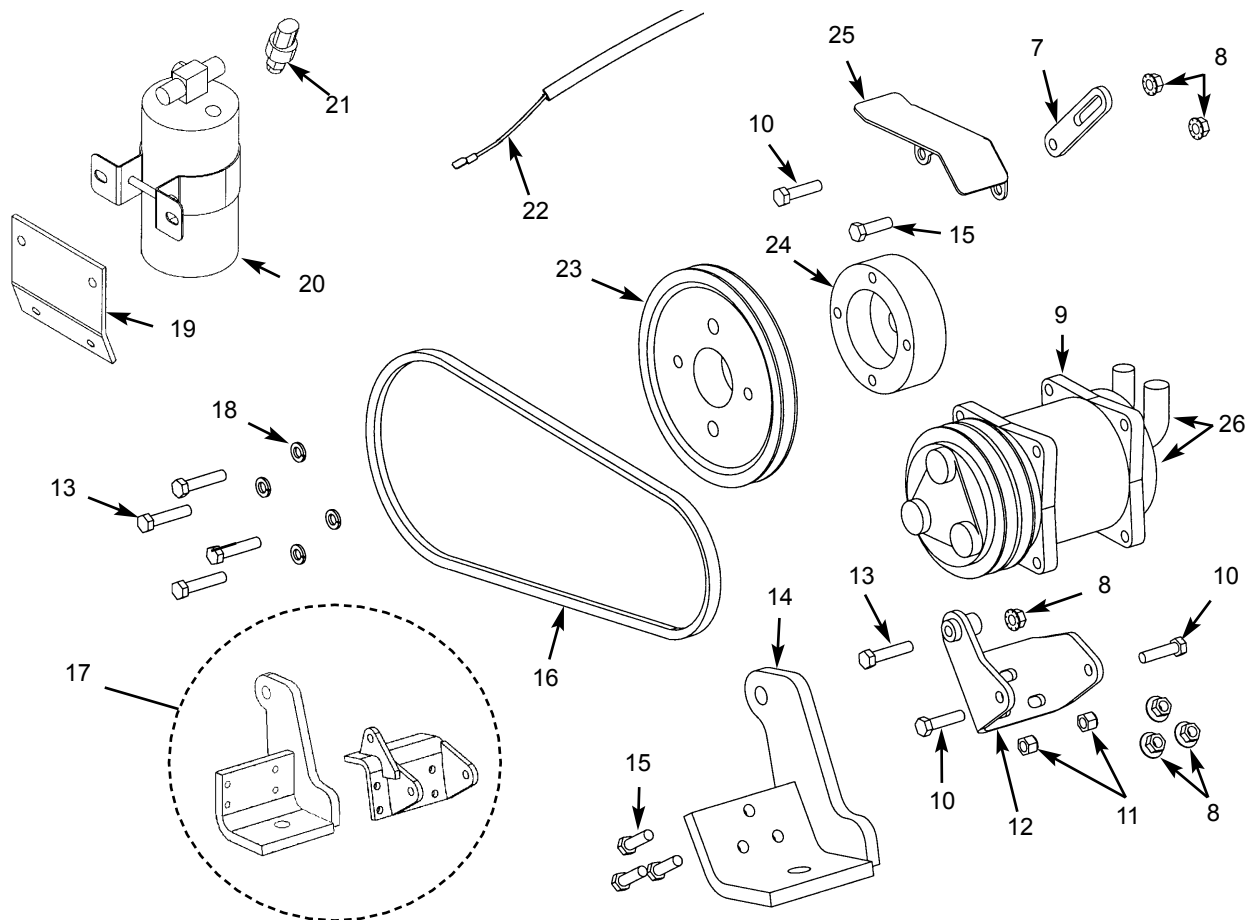
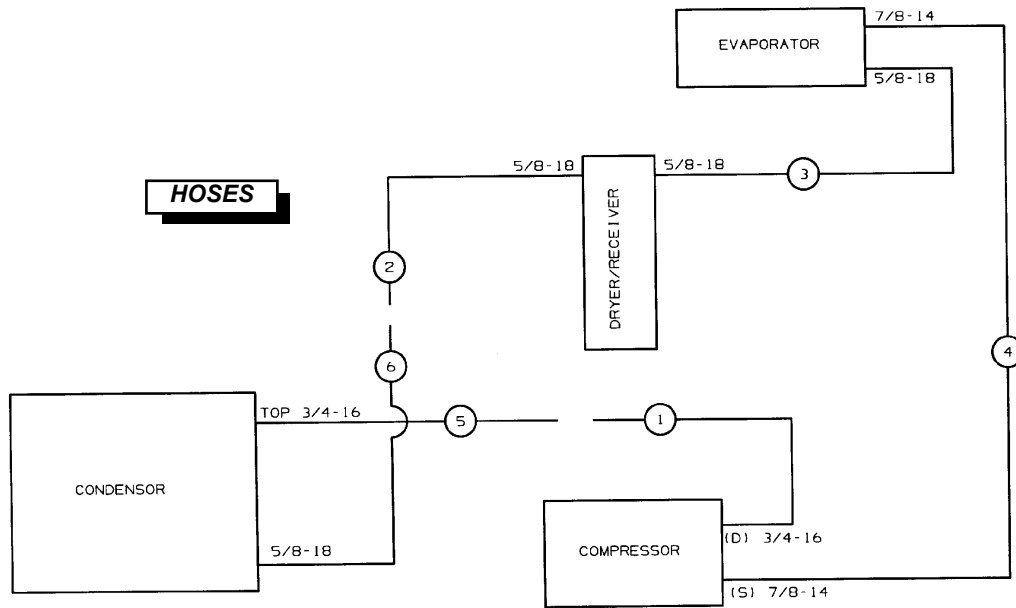
A/C - Condenser Group



A/C - Condenser Group

Ref. No.	Part No.	Description	Qty. Req.	Ref. No.	Part No.	Description	Qty. Req.
00	L71520	COMPLETE ASSEMBLY.....	1	08	L50051	1/4"-20 SERRATED FLANGE NUT.	8
01	L500591	CONDENSER BASE PLATE.....	1	09	L500595	CONDENSER COIL	1
02	L500592	CONDENSER TOP PLATE	1	10	L500596	SHEET METAL SCREW	6
03	L500593	CONDENSER COIL PLATE	1	11	L71674	CONDENSER MOUNT	1
04	L500594	CONDENSER FAN ASSEMBLY ...	2		L50211	1/4"-20X3/4" CAP SCREW.....	4
05	L50236	1/4"-20X1/2" CAP SCREW	12	12	L71720	CONDENSER WIRE HARNESS...	1
06	L50137	FLAT WASHER 1/4"	12				
07	654022	LOCK WASHER 1/4".....	1				

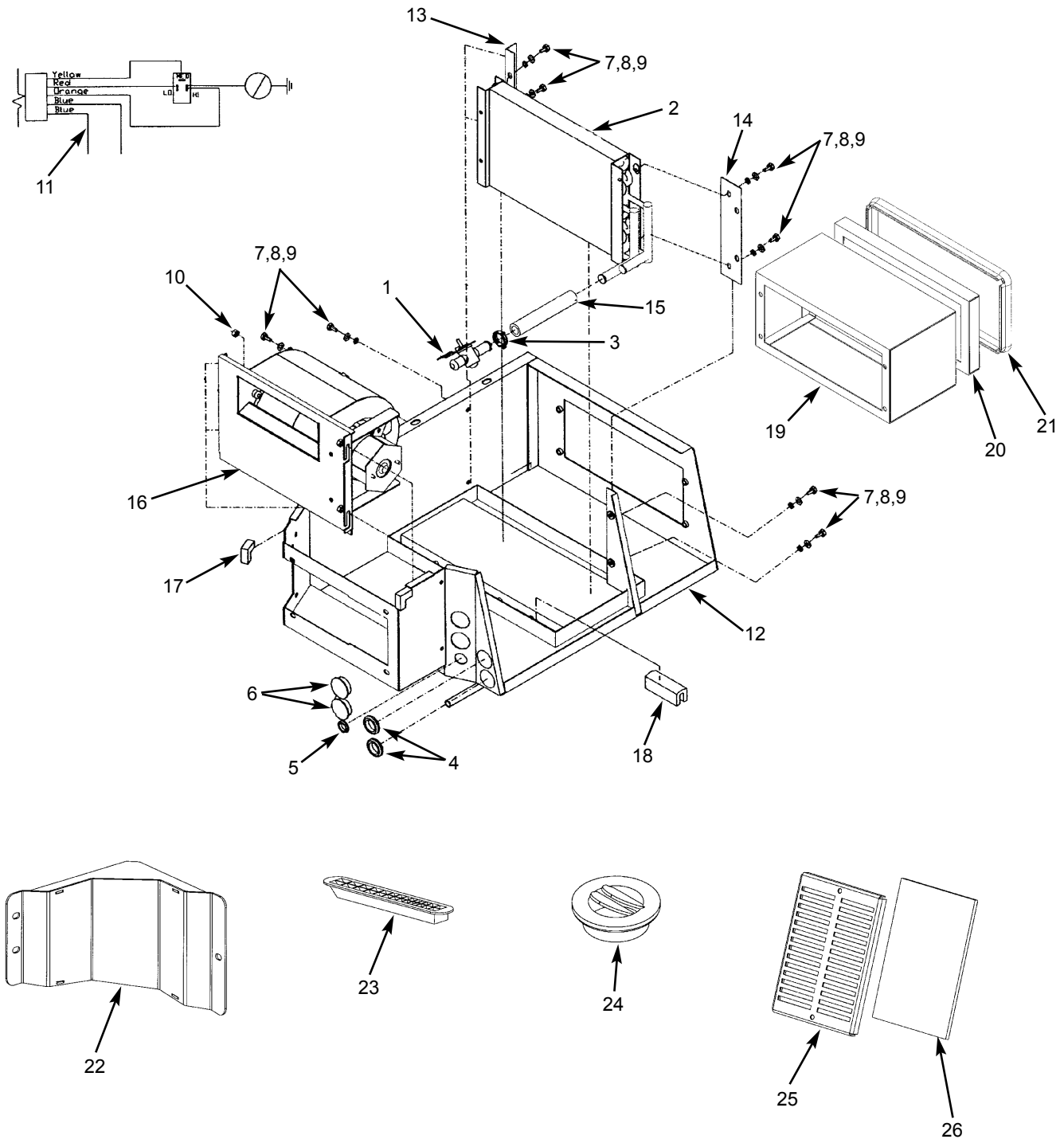
A/C Group - Hoses, Compressor, and Dryer



A/C Group - Hoses, Compressor, and Dryer

Ref. No.	Part No.	Description	Qty. Req.	Ref. No.	Part No.	Description	Qty. Req.
01	L71715	HOSE ASSEMBLY, 13/32" X 150" . . .	1	20	L70723	A/C DRYER	1
02	L71716	HOSE ASSEMBLY, 5/16" X 102" . . .	1		L50228	5/16"-18X1/2" CAP SCREW	2
03	L70798	HOSE ASSEMBLY, 5/16" X 72"	1		L50056	5/16"-18 FLANGE NUT	2
04	L70799	HOSE ASSEMBLY, 1/2" X 122"	1	21	L500720	BINARY SWITCH	1
05	L71717	HOSE ASSEMBLY, 13/32" X 96" . . .	1	22	L71721	A/C WIRE HARNESS	1
06	L71718	HOSE ASSEMBLY, 5/16" X 96"	1	23	L68569	PULLEY	1
07	L70677	ADJUSTER	1	24	L70817	PULLEY ADAPTER	1
08	L50061	3/8-16 SER.FLANGE NUT	6	25	L70786	BELT GUARD	1
09	L70722	AC COMPRESSOR	1	26	L500772	BOLT ON FITTING	1
10	L50261	3/8-16X1-1/2" BOLT	3				
11	L520005	3/8-16 NYLON INSERT NUT	2	a	<i>This AC Compressor bracket replaces the bracket shown in reference 17. This bracket must be used with engine mount P/N 100751 (ref. 14)</i>		
12 ^a	101226	AC COMPRESSOR BRACKET	1				
13	L50836	3/8-16X1 3/4" BOLT	1	b	<i>This engine mount replaces the engine mount shown in reference 17. When unit is equipped with air conditioning, this mount must be used with AC Compressor bracket P/N 100226 (ref. 12)</i>		
14 ^b	100751	ENGINE MOUNT	1				
15	L52026	3/8-16X1 1/4" BOLT	4				
16	L70778	BELT - AC COMPRESSOR	1	c	<i>The engine mount and AC Comp. bracket shown here are replaced by items 12 and 14.</i>		
17	Note c	ENGINE MOUNT/ AC BRACKET					
18	L50147	WASHER, 3/8 SPRING LOCK	4				
19	L70696	DRYER MOUNT BRACKET	1				
	L50228	5/16"-18X1/2" CAP SCREW	4				
	L50056	5/16"-18 NUT	2				

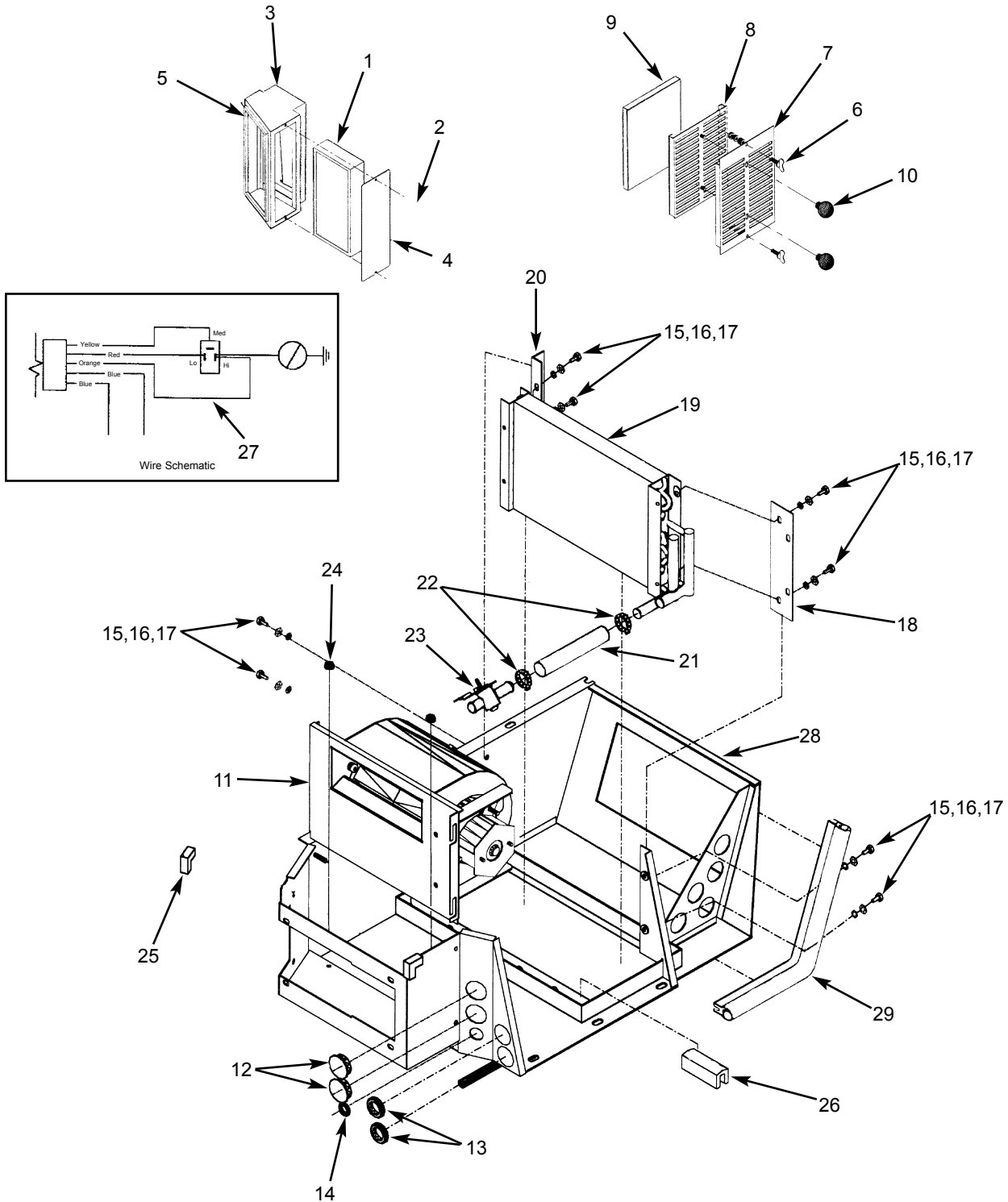
Heater Group (S/N 65168 and Up)



Heater Group
(S/N 65168 and Up)

Ref. No.	Part No.	Description	Qty. Req.	Ref. No.	Part No.	Description	Qty. Req.
01	L500163	VALVE / WATER	1	18	L500147	STRIP / TRIM	1
02	L500162	COIL / HEATER	1	19	101840	FILTER HOUSING	1
03	L500161	CLAMP / HOSE	2	20	101843	FILTER	1
04	L500160	GROMMET / 1-3/8 X 1	2	21	101841	HOUSING BULBSEAL	1
05	L500159	GROMMET / 7/8 X 5/8	1	22	101650	HEATER DUCT	1
06	L500158	PLUG / PLASTIC / 1-3/8	2		L50208	SCREW / 1/4-20X1/2	3
07	L500157	CAPSCREW, 1/4-20X1/2	11	23	L500059	LOUVER / FIXED VAIN	1
08	L50137	FLAT WASHER, 1/4"	8	24	137502	LOUVER / ROUND 3"	2
09	654022	LOCK WASHER, 1/4"	11	25	101849	COVER / RECIRC FILTER	1
10	L50051	NUT / 1/4-20 WHIZ LOCK ZP	4	26	101848	RECIRCULATING FILTER	1
11	L500578	WIRE HARNESS	1				
12	101825	MAIN HOUSING WLDMNT	1				
13	L500152	BRACKET / COIL LH	1	27	101378	HEATER CONTROL W/CABLE	1
14	L500151	BRACKET / COIL RH	1		L99983	KNOB ONLY	1
15	L500150	HOSE / HEATER	1	28	101508	DECAL / HEATER CONTROL	1
16	L500398	ASY / BLOWER	1	29	L99847	HEATER HOSE	16 FT.
17	L500148	STRIP / WEATHERSTRIP	1	30	L99966	SHUTOFF VALVE	1
						(Mounted on Engine)	
						--EXTERNAL COMPONENTS NOT SHOWN--	

Heater Group (Thru S/N 65167)

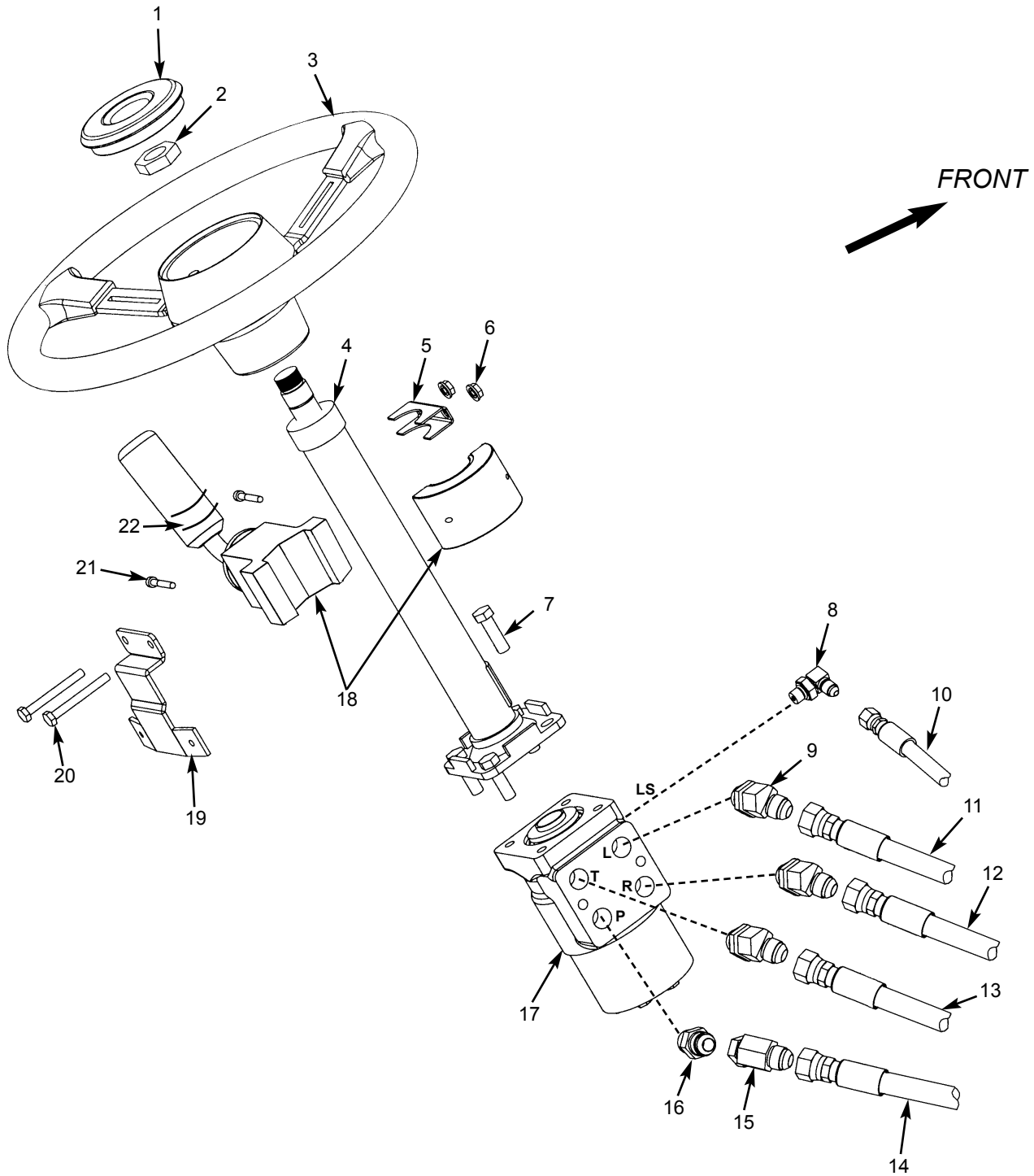


Heater Group

(Thru S/N 65167)

Ref. No.	Part No.	Description	Qty. Req.	Ref. No.	Part No.	Description	Qty. Req.
01	L500139	FILTER 12X6X2.19	1	21	L500150	CUT HEATER HOSE	1
02	L500138	1/4-20X1/2 THUMB SCREW	2	22	L500161	HOSE CLAMP	2
03	102322	HOUSING	1	23	L500163	WATER VALVE	1
04	L500137	COVER	1	24	L50051	HEX NUT 1/4	4
05	L500136	CUT WEATHER SEAL	1		654022	LOCK WASHER 1/4	4
06	L500167	FASTENER, FRAC-TURN	2		L50137	FLAT WASHER 1/4	4
07	L500166	RECIRC. COVER	1	25	L500148	CUT WEATHERSTRIP SEAL	1
08	L500165	RECIRC. HOLDER	1	26	L500147	CUT TRIM STRIP	1
09	L500164	RECIRC. FILTER	1	27	L500578	WIRE HARNESS	1
10	L500168	KNOB	2	28	L500571	MAIN HOUSING WELDMENT	1
11	L500398	BLOWER ASSEMBLY	1	29	L500573	BULB SEAL	1
12	L500158	PLASTIC PLUG, 1 3/8"	2				
13	L500160	GROMMET 1-3/8X1	2			--- EXTERNAL COMPONENTS NOT SHOWN ---	
14	L500159	GROMMET 7/8X5/8	1	30	L99843	RECTANGULAR LOUVER	1
15	L50236	1/4-20X1/2 CAP SCREW	11	31	L99844	ROTARY HEAT CONTROL	1
16	654022	LOCK WASHER 1/4	9			<i>(Mounted. on Dash, Incl. Knob)</i>	
17	L50137	FLAT WASHER 1/4	8		L99983	KNOB ONLY	1
18	L500151	RT. COIL BRACKET	1		L99845	CONTROL CABLE 84"	1
19	L500162	HEATER COIL	1	32	L99847	HEATER HOSE 5/8" X 16'	1
20	L500152	LT. COIL BRACKET	1	33	L99966	SHUTOFF VALVE	1
						<i>(Mounted. on Engine)</i>	

Steering Column Group



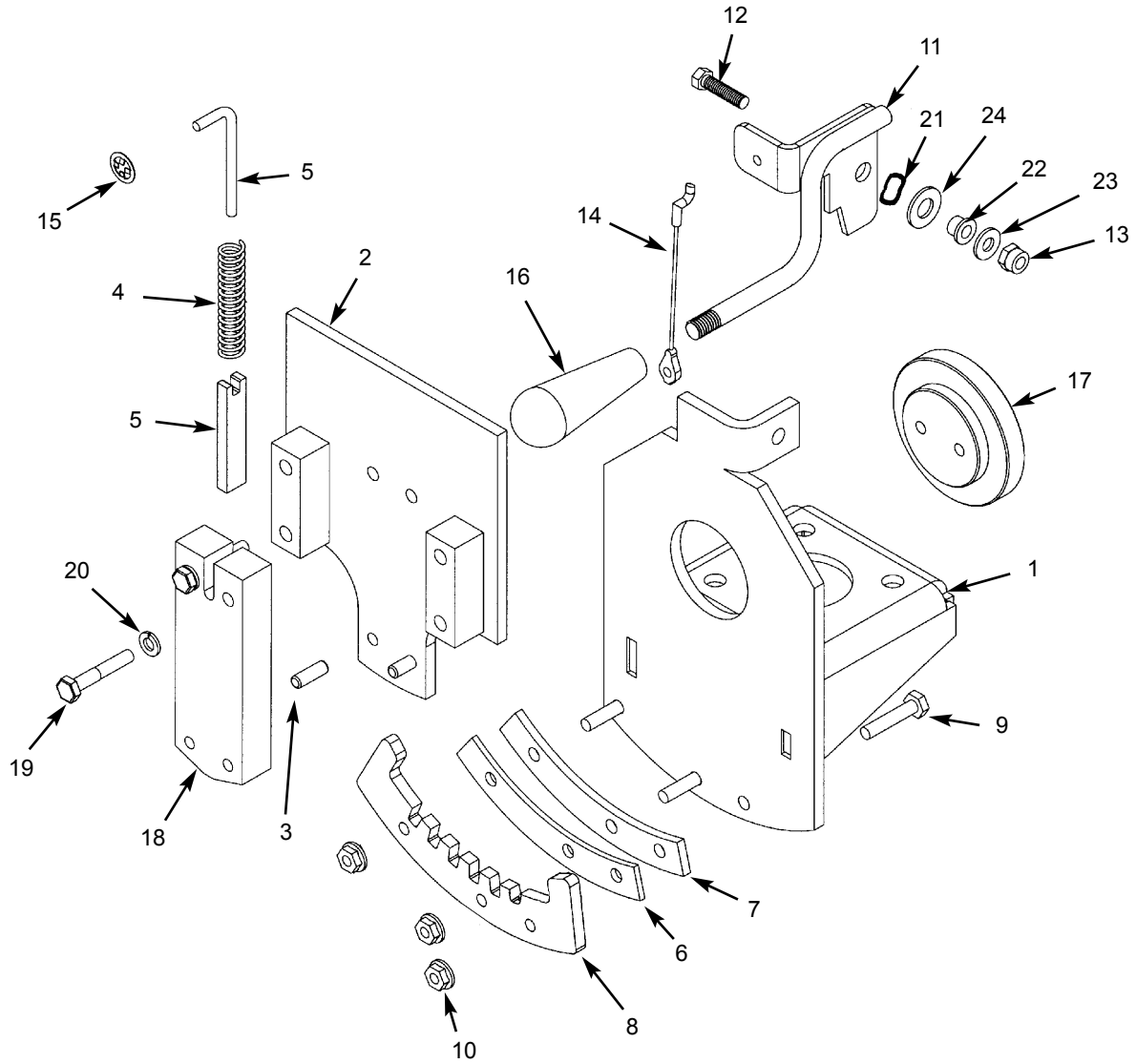
Steering Column Group

Ref. No.	Part No.	Description	Qty. Req.	Ref. No.	Part No.	Description	Qty. Req.
01	L69596	HORN BUTTON W/TRUMPET	1	18	L69012	F-N-R/1-2-3-4 SHIFTER	1
02	L41261	COLUMN NUT	1		L99425	BOOT, SHIFTER	1
03	L69595	STEERING WHEEL	1	19	L500080	STEER COL. MT. BRACKET	1
04	L70120	STEERING COLUMN	1	20	L50452	1/4-20X2-1/4" BOLT	2
05	P054800	MUFFLER CLAMP BRACKET	1	21	L50101	M5-.8X35 MM SHCS	2
06	L50051	1/4-20 FLANGE NUT	2	22	L500439	DECAL, SHIFTER 1-2-3-4	1
07	L52026	3/8-16X1-1/4" BOLT	4				
08	L51591	ADAP -4ORM -4JICM	1	a	<i>Field Replacement of Parts Other Than Seals Is Not Recommended.</i>		
09	L445013	ADAP -8ORM -8JICM 45 ELBOW	3				
10	L69925	HOSE -4 A4/A6 100"	1	b	<i>S/N 65177 and up</i>		
11	L69935	HOSE -6 A8/A6 108"	1	c	<i>Thru S/N 65176</i>		
12	L69936	HOSE -6 A8/DS6 100"	1				
13	L69933	HOSE -6 A8/A6 60"	1				
14	L69934	HOSE -6 A8/DS8 88"	1				
15	L446024	ADAP -8JICFS -8JICM SWVL	1				
16	L64524	CHECK VALVE	1				
17 ^a		STEER MOTOR ASY.	1				
	101881	<i>Note b</i>					
	500968	SEAL KIT	1				
	L69128	<i>Note c</i>					
	L99930	SEAL KIT	1				

Hose Locator

Ref No.	From Port	To Port
10	STEER MOTOR "LS" (IN CAB)	LEVEL VALVE "LSB"
11	STEER MOTOR "L" (IN CAB)	STEER SELECT VALVE "P"
12	STEER MOTOR "R" (IN CAB)	STEER/BRAKE MANIFOLD (TOP RIGHT SIDE)
13	STEER MOTOR "T" (IN CAB)	HYDRAULIC TANK RETURN MANIFOLD
14	STEER MOTOR "P" (IN CAB)	HYDRAULIC PUMP
		<i>(Refer to item #32 Hydraulic Pump page)</i>

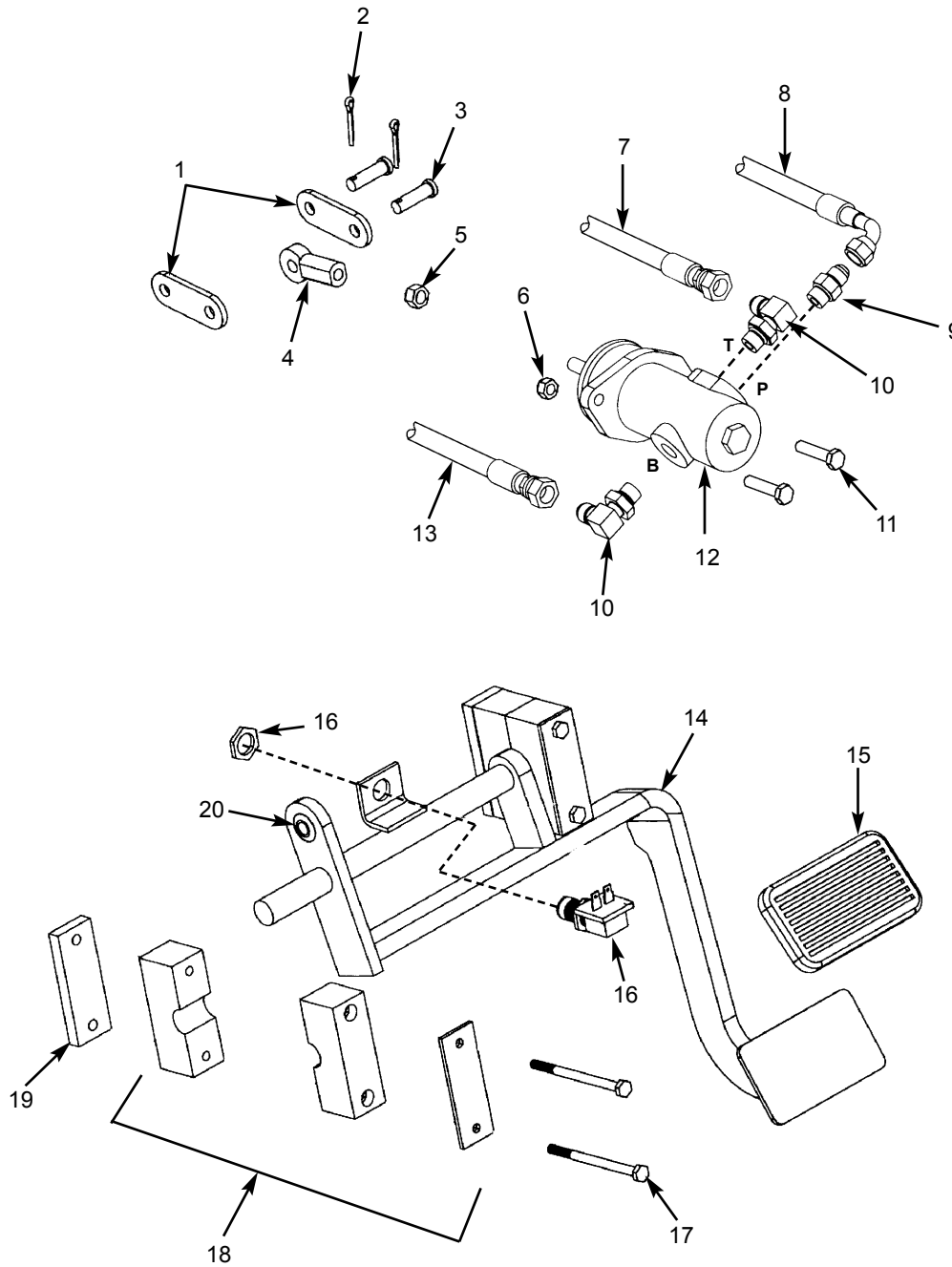
Console Tilt Group



Console Tilt Group

Ref. No.	Part No.	Description	Qty. Req.	Ref. No.	Part No.	Description	Qty. Req.
01	101884	MOUNT WELDMENT	1	13	L500023	NUT, 1/4-20 NYLON INSERT	1
02	L69542	STEERING MOUNT WELD.	1	14	L69226	TILT LEVER CABLE	1
	L50367	CS 3/8-16X1	4	15	L69099	PUSH-ON RETAINER	1
03	L69085	DOWEL	2	16	L69232	TILT HANDLE, KNOB	1
04	L69095	COMPRESSION SPRING	1	17	L69101	PIVOT PIN	1
05	L69100	CATCH PIN WELD	1	18	L69155	PIN GUIDE	1
06	L69079	SPACER 3/16"	1	19	L50364	CS 1/4-20X1-1/2"	2
07	L69081	SPACER 1/16"	1	20	L50139	WASHER 1/4 SPRING LOCK	2
08	L69162	CATCH PLATE	1	21	L69392	WAVE SPRING	1
09	L510046	CS 1/4-20X1-1/4"	3	22	L69355	NYLON SHOULDER WASHER	1
10	L50051	NUT 1/4-20 SERR. FLANGE	3	23	L50137	WASHER 1/4 PLAIN	1
11	L69238	TILT LEVER WELD.	1	24	L50145	WASHER 3/8 PLAIN	1
12	L510046	1/4"-20X1-1/4" BOLT	1				

Brake Pedal Group



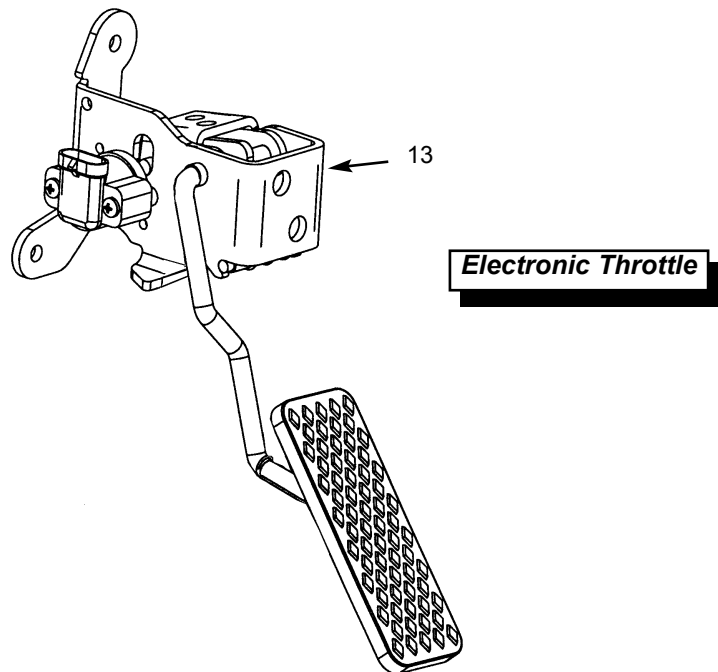
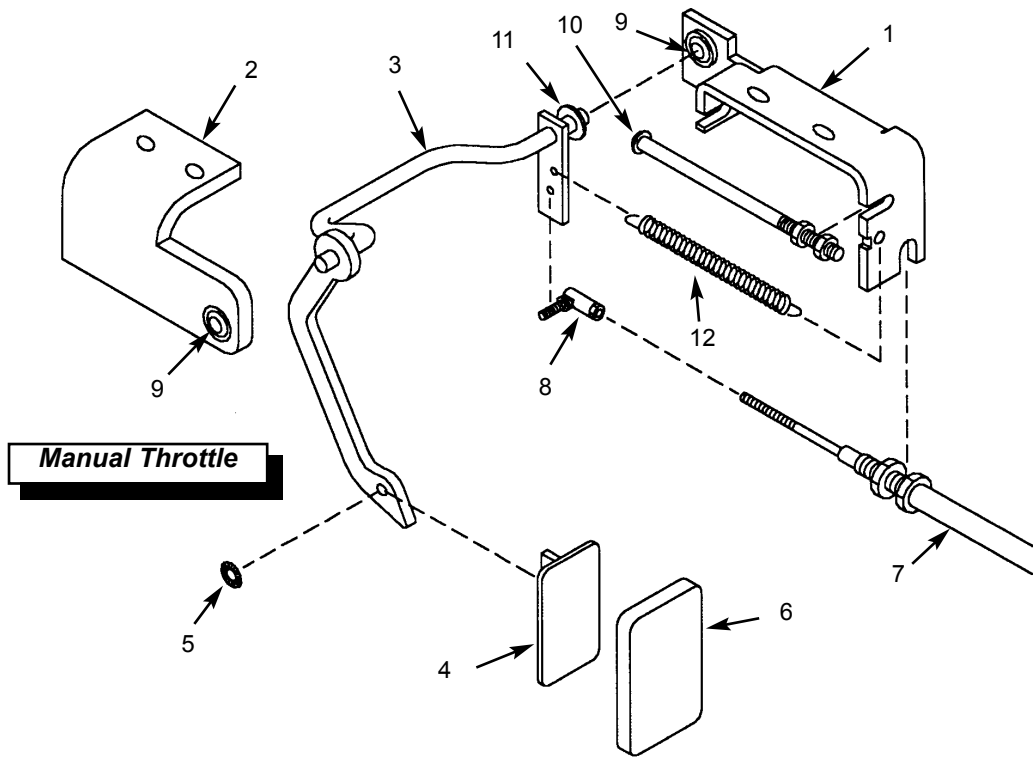
Brake Pedal Group

Ref. No.	Part No.	Description	Qty. Req.	Ref. No.	Part No.	Description	Qty. Req.
01	L70184	LINK.....	2	11	L50823	5/16-18x1" BOLT.....	2
02	L50607	COTTER PIN 1/8X1.....	2	12	L69572	BRAKE MODULATING VALVE.....	1
03	L42342	CLEVIS PIN 3/8X1-1/4.....	2	13	L69929	HOSE -4 A6/A4 102".....	1
04	L70183	ROD END 3/8".....	1	14	L69590	BRAKE LEVER WELD.....	1
05	L50066	3/8-24 NUT.....	1	15	L69789	RUBBER PAD.....	1
06	L520004	5/16-18 NYLON INSERT NUT.....	2	16	L64890	ELECTRIC SWITCH.....	1
07	L69927	HOSE -4 A6/A6 81".....	1	17	L50217	CS 1/4-20X3-1/2.....	4
08	L69926	HOSE -4 A6/DS6 100".....	1	18	L70248	CLAMP BLOCK AND PLATE.....	2
09	L444002	ADAP -6ORM -6JICM STR.....	1	19	L70250	CLAMP SPACER.....	2
10	L445003	ADAP -6ORM -6JICM 90 DEG.....	2	20	L70435	BUSHING.....	1

Hose Locator

Ref No.	From Port	To Port
07	BRAKE MODULATING VALVE "T"	HYDRAULIC TANK RETURN MANIFOLD
08	BRAKE MODULATING VALVE "P"	SAHR VALVE "AO"
13	BRAKE MODULATING VALVE "B"	BRAKE MANIFOLD (BOTTOM PORT)

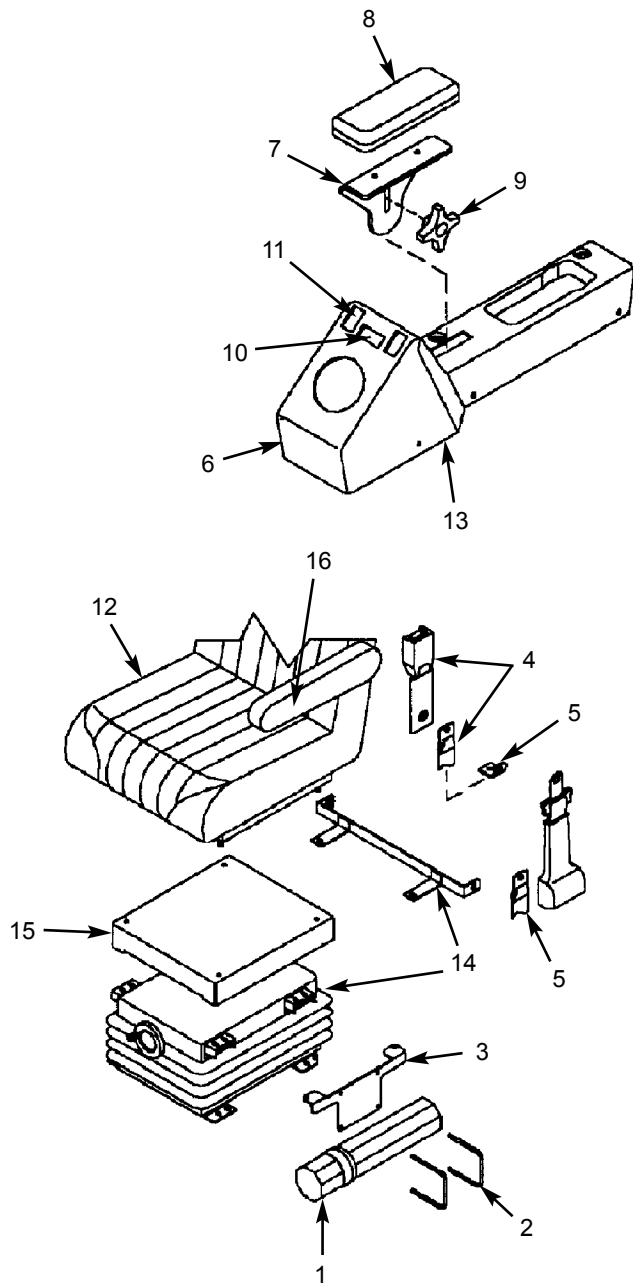
Throttle Pedal Group



Throttle Pedal Group

Ref. No.	Part No.	Description	Qty. Req.	Ref. No.	Part No.	Description	Qty. Req.
01 ^a	L70568	CABLE MOUNT W/BUSHING	1	08 ^a	L580009	BALL JOINT #10-32	1
	L50230	5/16"-18X3/4" CARRIAGE BOLT	2		L50050	#10-32 NUT	1
	L50143	5/16" LOCK WASHER	2	09 ^a	L70435	BEARING	2
	L50056	5/16"-18 SERR. FLANGE NUT	2	10 ^a	L50565	5/16"-18X6" CARRIAGE BOLT	1
02 ^a	L69619	OUTER MOUNT W/BUSHING	1	11 ^a	L43965	SPACER	1
	L50823	5/16"-18X1" BOLT	2	12 ^a	L69634	THROTTLE SPRING	1
	L50143	5/16" LOCK WASHER	2	13 ^b	101291	FOOTPEDAL, ELECTRONIC	1
03 ^a	L70565	THROTTLE LEVER WELD.	1		L50143	5/16" LOCK WASHER	2
04 ^a	L69615	THROTTLE PEDAL WELD.	1		L50823	5/16"-18X1" BOLT	2
	L50403	3/8"-16X1-1/4" BOLT	1				
	L50145	3/8" FLAT WASHER	1				
	L520005	3/8"-16 CENTER LOCK NUT	1	<i>a</i>		<i>Thru S/N 65177; except S/N 65169</i>	
05 ^a	L69392	WAVE SPRING	1	<i>b</i>		<i>S/N 65178 and up; including S/N 65169</i>	
06 ^a	L69789	RUBBER PAD	1				
07 ^a	L69607	THROTTLE CABLE	1				

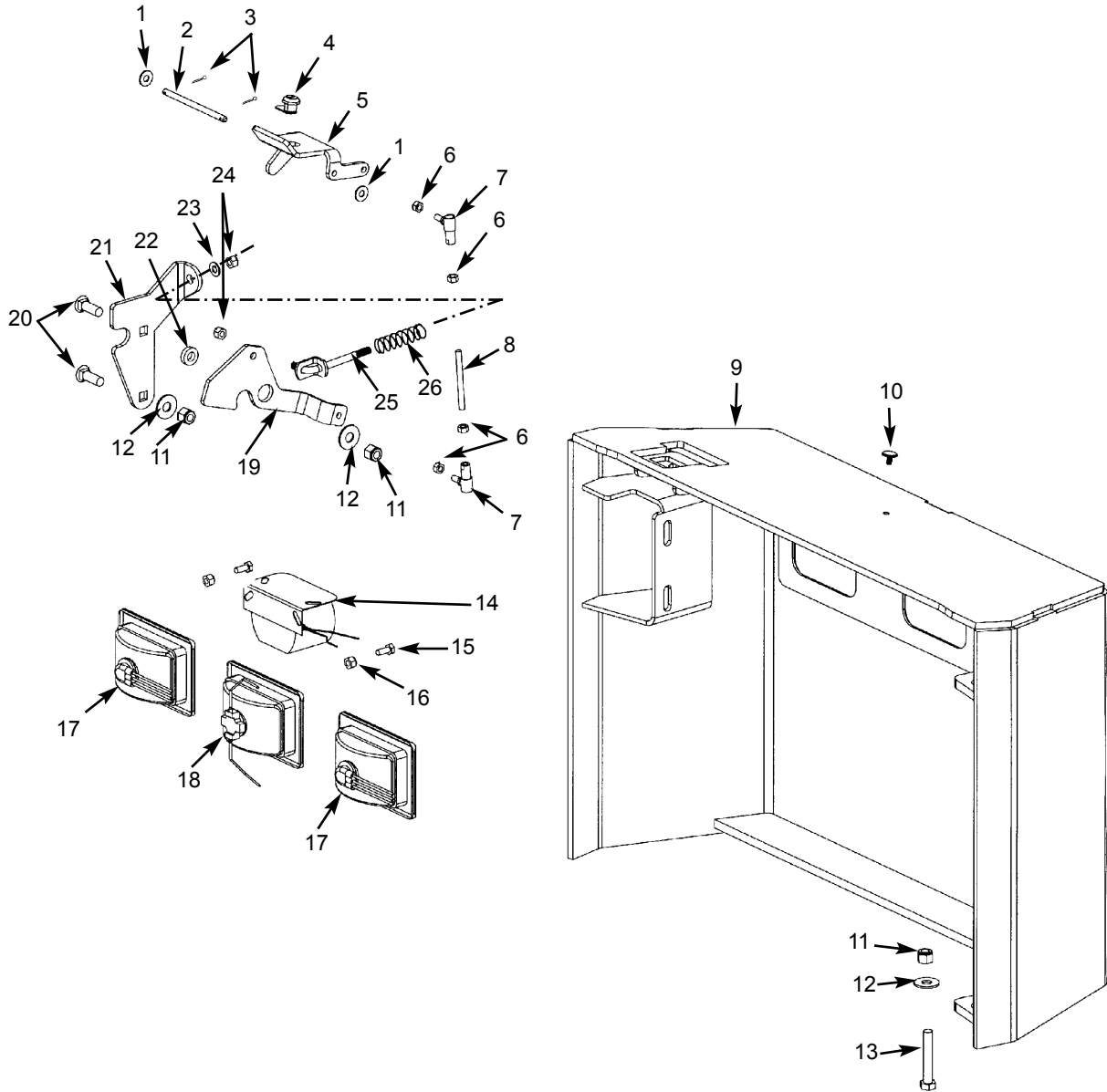
Right Panel Plastic & Seat Group



Right Panel Plastic & Seat Group

Ref. No.	Part No.	Description	Qty. Req.	Ref. No.	Part No.	Description	Qty. Req.
01	L70453	MANUAL TUBE	1	10	L71071	LEVEL SWITCH	1
02	L70450	TUBE U-BOLT 1/4"-20	2	11	L71088	SWITCH HOLE PLUG	2
	L50051	1/4"-20 SERR. FLANGE NUT	4	12	L71428	SEAT (<i>with internal switch</i>)	1
03	L70449	MANUAL TUBE BRACKET	1		L50056	5/16"-18 SERR. FLANGE NUT	4
04	L70634	SEAT BELT (<i>Incls. tether straps</i>)	1		L50141	5/16" WASHER	4
	L510041	7/16"-20X1" BOLT	4	13	L64078	DUAL RATE ALARM	1
	L50517	7/16"-20 NYLON INSERT NUT	2	14	L68496	SUSPENSION BELLOWS	1
05	L70212	TETHER BRACKET	2		L50823	5/16"-18X1" BOLT	4
	L50666	7/16"-14X1" BOLT	2		L50141	5/16 FLAT WASHER	4
	L50149	7/16" FLAT WASHER	2	15	L70592	SEAT EXTENSION	1
	L50196	7/16" SAE FLAT WASHER	2		L50823	5/16"-18X1" BOLT	4
06		CONSOLE PLASTIC	1		L50141	5/16" FLAT WASHER	4
	L71147	<i>Note a</i>		16	L99454	SEAT ARM REST (<i>left hand</i>)	1
	101493	<i>Note b</i>				(<i>Included with item 12</i>)	
07	L70015	ARM REST MOUNT BRKT.	1	<i>a</i>		<i>Thru S/N 65167</i>	
08	L69756	ARM REST (<i>right hand</i>)	1	<i>b</i>		<i>S/N 65168 and up</i>	
	L50202	1/4"-20X5/8" BUTTON HD BOLT	2				
09	L69755	KNOB	1				
	L50483	3/8"-16X1" CARRIAGE BOLT	1				

Rear Access Door Group



Rear Access Door Group

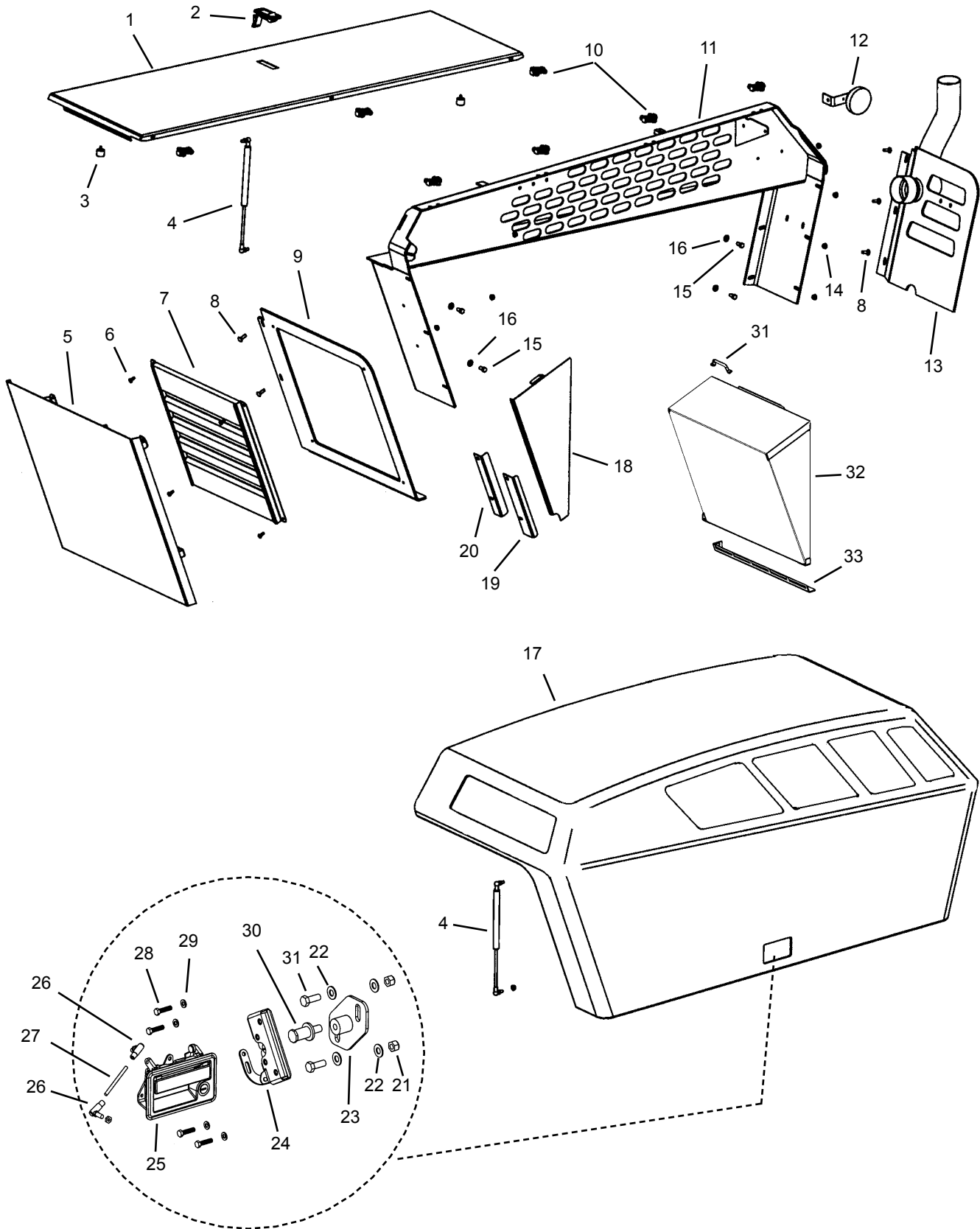
Ref. No.	Part No.	Description	Qty. Req.	Ref. No.	Part No.	Description	Qty. Req.
01	L50141	5/16" FLAT WASHER	2	18		BACKUP LIGHT	1
02	L70326	PIN.	1		L70041	<i>Note a (early models)</i>	
03	L50607	1/8X1" COTTER PIN	2		L71595	<i>Note b (later models)[Halogen]</i>	
04	L70225	CAMLOCK.	1		L500606	RUBBER MOUNTING BEZEL	1
05	L70257	LATCH ASY. HANDLE.	1		100102	JUMPER - BACKUP LIGHT	1
06	L50059	5/16-24 NUT	4	19	L70216	LATCH	1
07	L70226	5/16-24 BALL JOINT	2		L99157	KEY ONLY (CH751)	1
08	L70227	LINKAGE ROD	1	20	L50603	1/2"-13X1-1/2" CARRIAGE. BOLT	2
09	L500657	REAR DOOR <i>(incl. halogen backup light; item 18)</i>	1	21	L69766	LATCH MOUNT.	1
10	L71305	PLUG, REAR HOOD	1	22	131940	BUSHING	1
11	L520019	1/2-13 NYLON INSERT NUT	3	23	L50145	3/8" FLAT WASHER	1
12	L50151	1/2" FLAT WASHER	3	24	L520005	3/8"-16 NYLON INSERT NUT	2
13	L50292	1/2-13x3" BOLT	1	25	131799	LATCH ROD ASY	1
14	L70200	BACKUP ALARM.	1	26	L70009	COMPRESSION SPRING.	1
15	L50230	5/16-18X3/4" BOLT	2			-- ITEMS NOT SHOW --	
16	L50056	5/16-18 FLARE NUT	2	00	L60587	SINGLE DIODE	AR
17	L70701	TAIL LIGHT W CONNECTOR	2			<i>(located in the wire harness near tail lights)</i>	
	L500339	RUBBER MOUNTING BEZEL	2				

a Use this backup light if the center opening in rear door is the same size as the tail light openings.

b Use this backup light if the center opening in the rear door is smaller than the tail light openings.

Engine - Transmission Cover Group

(S/N 65178 and Up; including S/N 65169)



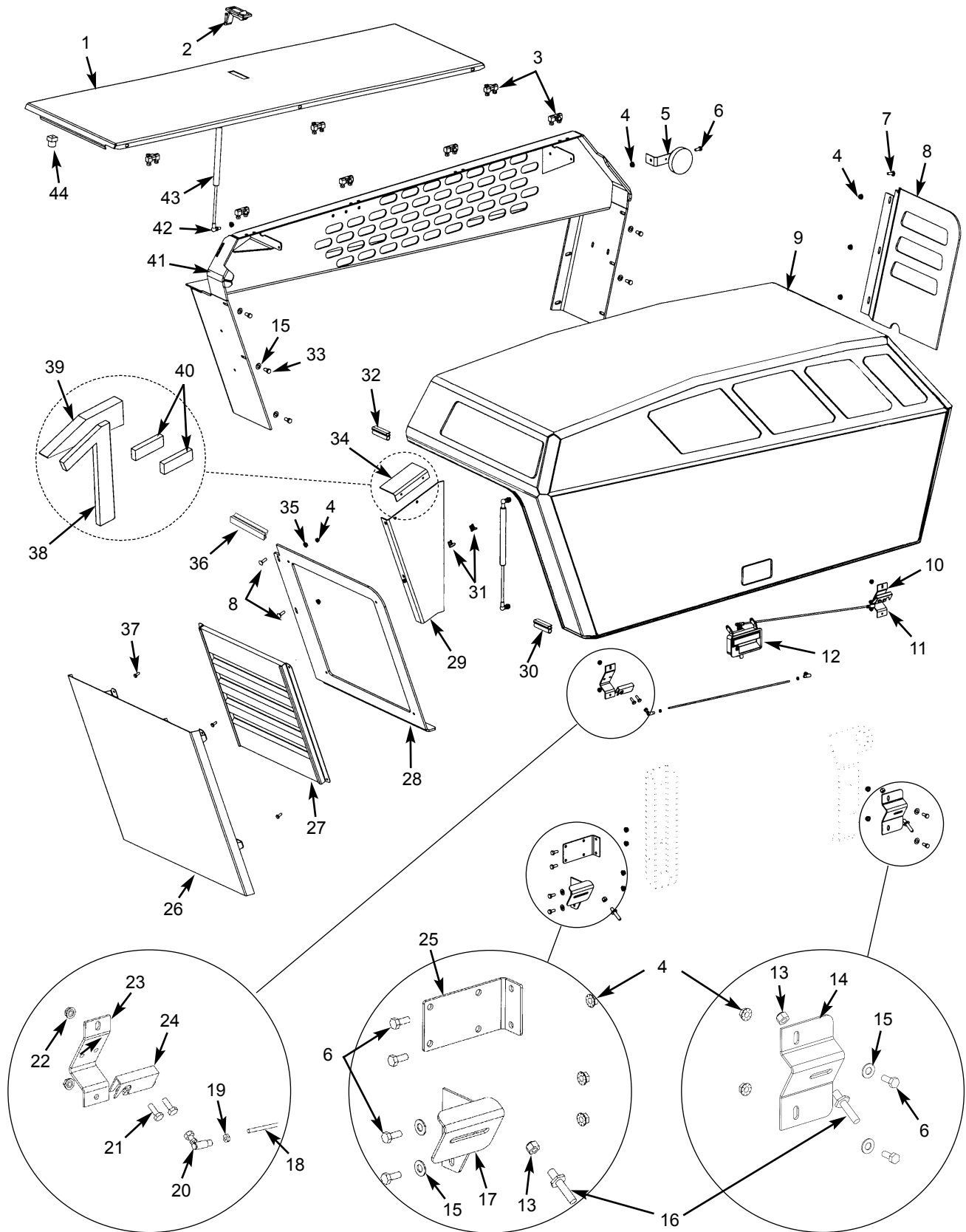
Engine - Transmission Cover Group

(S/N 65178 and Up; including S/N 65169)

Ref. No.	Part No.	Description	Qty. Req.	Ref. No.	Part No.	Description	Qty. Req.
01	L70239	TRANSMISSION COVER	1	21	L52005	3/8" NYLON INSERT NUT	2
02	L70198	LATCH - TRANSMISSION COVER.	1	22	L50145	3/8" FLAT WASHER	4
03	L69468	RUBBER BUMPER	2	23	101397	STRIKER MOUNT.	1
04	L69473	GAS SPRING	3	24	101421	LATCH	1
	L71694	GAS SPRING SPACER	1	25	101422	HANDLE, PADDLE	1
	L50823	5/16-18X1" BOLT	1		L99157	KEY CH751 (KEY ONLY)	
	L69488	BALL STUD	6	26	L580009	BALL JOINT, #10-32 ROD END	2
05	100575	MUD DEFLECTOR WELDMENT	1	27	101453	ROD, LINKAGE	1
06	L50486	1/4-20X5/8" BOLT	4	28	650835	1/4"X1" BOLT	4
07	L71556	DEBRIS SCREEN WELDMENT	1	29	654022	1/4" LOCK WASHER.	4
08	L50461	5/16-18X1" CARRIAGE BOLT.	5	30	101436	STRIKER, HOOD	1
09	100616	END PANEL WELDMENT.	1	31	L64673	HANDLE	1
10	L69465	HINGE	7	32	101831	DEBRIS SCREEN WELDMENT	1
11	L71193	ENGINE COVER MOUNT.	1	33	101964	TRAY, DEBRIS SCREEN	1
12	L70045	HORN	1				
13 ^a	101349	END PANEL - FRONT.	1				
14	L50056	5/16-18 FLARE NUT	18				
15	L50251	3/8-16X3/4" BOLT	6				
16	L50145	3/8" FLAT WASHER	10				
17	100488	ENGINE COVER HOOD.	1				
18	101967	BAFFLE, AIR RECIRCULATE.	1				
19	101965	BRACKET, BAFFLE	1				
20	101966	BRACKET, BAFFLE	1				
						-- ITEMS NOT SHOWN --	
				00	L70619	BULB SEAL, ENGINE COVER	1
				00	101000	BULB SEAL, END PANEL.	1
				00	101994	BULB SEAL, 7/16"X19.5"	1
				00	102074	BUBL SEAL, 3/8"X22"	1
				a		<i>Refer to the Engine Section of this manual for more information on the air cleaner group.</i>	

Engine - Transmission Cover Group

(Thru S/N 65177; except S/N 65169)



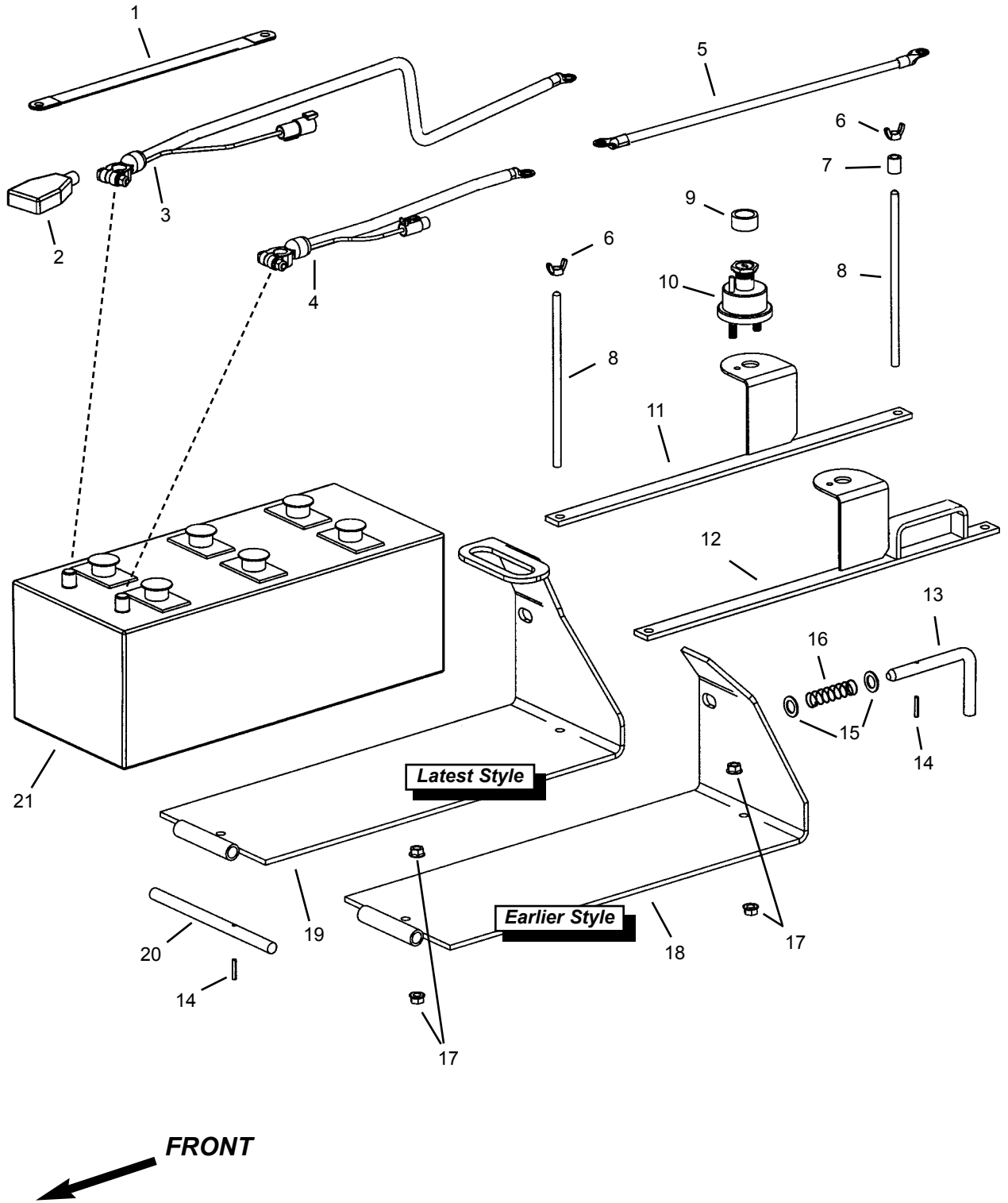
Engine - Transmission Cover Group

(Thru S/N 65177; except S/N 65169)

Ref. No.	Part No.	Description	Qty. Req.	Ref. No.	Part No.	Description	Qty. Req.
01	L70239	TRANSMISSION COVER	1	26	100575	MUD DEFLECTOR WELDMENT . .	1
02	L70198	LATCH - TRANSMISSION COVER.	1	27	L71556	DEBRIS SCREEN WELDMENT . . .	1
03	L69465	HINGE	7	28	100616	END PANEL WELDMENT	1
04	L50056	5/16-18 FLARE NUT	18	29	100009	BAFFLE, AIR RECIRC.	1
05	L70045	HORN	1	30	L70619	BULB SEAL, ENGINE COVER . . .	1
06	L50230	5/16-18X3/4" BOLT	7	31 ^a	L68133	CAPTIVE SCREW	2
07	L50461	5/16-18X1" CARRIAGE BOLT	5		L68134	SCREW RETAINER	2
08	L71168	END PANEL - FRONT	1		L68135	SCREW RECEPTACLE	2
09	L71451	ENGINE COVER HOOD	1	32	101000	BULB SEAL, END PANEL	1
		<i>(Includes 10-12,18-24)</i>		33	L50251	3/8-16X3/4" BOLT	6
10	L70321	FRONT LATCH MOUNT	1	34 ^a	100010	AIR BAFFLE COVER	1
11	L70065	ROTARY LATCH (LEFT)	1	35	L520003	1/4-20 NYLON INSERT NUT	2
12	L70067	PADDLE HANDLE	1	36	101000	BULB SEAL, END PANEL	1
	L99157	KEY (CH751)	1	37	L50486	1/4-20X5/8" BOLT	4
13	L520005	3/8-16 NYLON INSERT NUT	2	38	100989	FOAM, BAFFLE.	1
14	L70586	STRIKER MOUNT (FRONT)	1	39	100995	FOAM, ENGINE COVER MOUNT .	1
15	L50145	3/8" FLAT WASHER	10	40	100996	FOAM, RADIATOR	2
16	L70197	STRIKER PIN	2	41	L71193	ENGINE COVER MOUNT	1
17	L71611	STRIKER MOUNT (REAR)	1	42	L69488	BALL STUD	6
18	L70162	LINKAGE ROD	2	43	L69473	GAS SPRING	3
19	L50050	10-32 NUT	4		L71694	GAS SPRING SPACER	1
20	L580009	BALL JOINT 10-32 ROD END	4		L50823	5/16-18X1" BOLT	1
21	L50211	1/4-20X3/4" BOLT	4	44	L69468	RUBBER BUMPER	2
22	L50051	1/4-20 FLARE NUT	4				
23	L70322	REAR LATCH MOUNT	1				
24	L70064	ROTARY LATCH (RIGHT)	1				
25	L71695	ETHER MOUNT BRACKET	1				

a Replaced by items 38-40 on units with S/N 65142 thru S/N 65177 (except S/N 65143, 65144, 65145, 65148)

Battery Tray Group

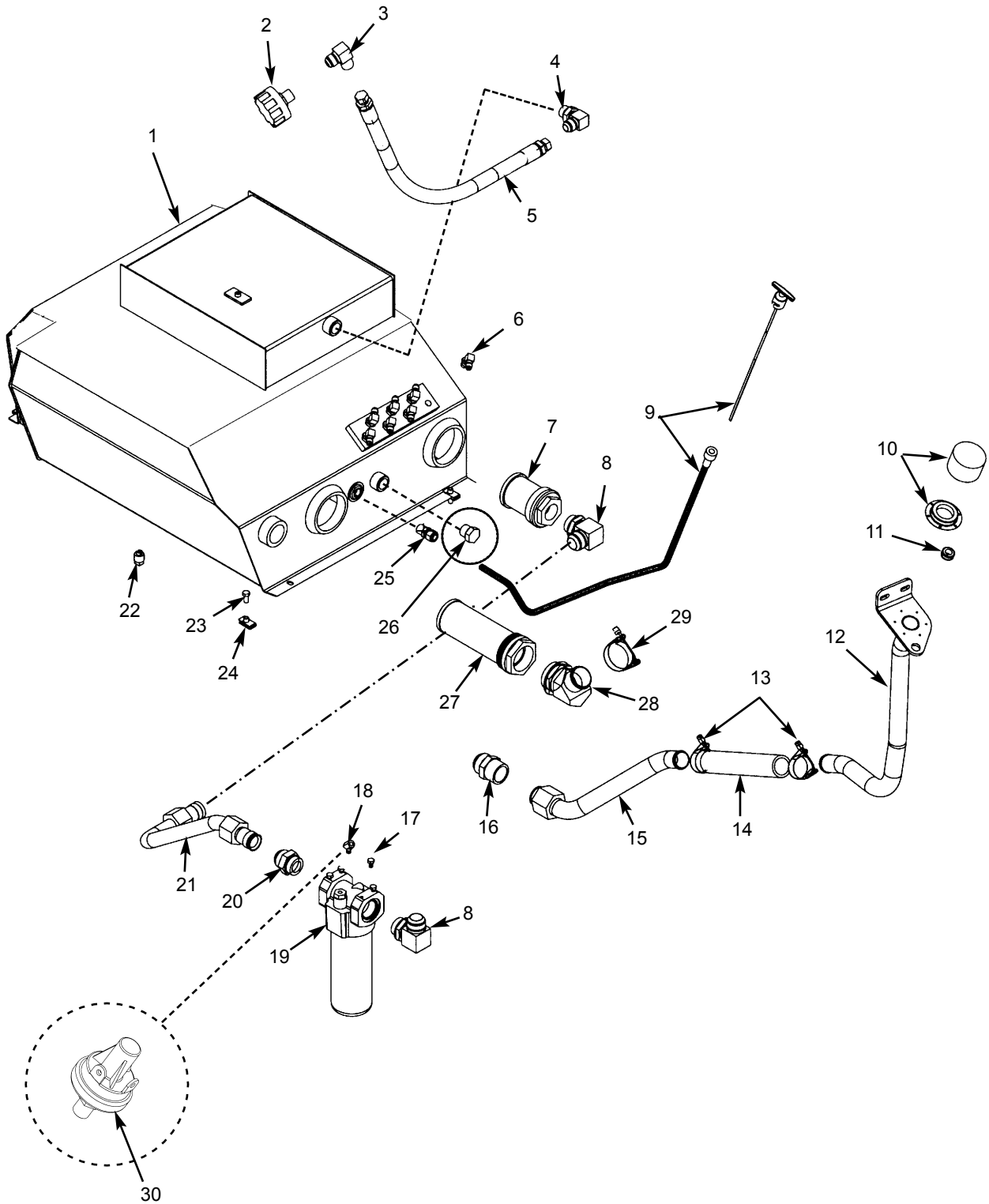


Battery Tray Group

Ref. No.	Part No.	Description	Qty. Req.	Ref. No.	Part No.	Description	Qty. Req.
01	L630004	GROUND STRAP 14GA. 14"	1	09	L500311	SPACER	1
02	L630003	RUBBER BOOT	1	10	L71258	MASTER DISCONNECT SWITCH . 1	
03		POS. BATTERY CABLE 75"	1		L500312	KEY	
	101247	<i>Note a (shown in illustration)</i>		11 ^a	101457	BATTERY HANDLE, WELDMENT . 1	
	101960	POWER PLUG (<i>female end</i>)	1	12 ^b	L71259	BATTERY HANDLE, WELDMENT . 1	
	101963	#8 DUETCH PIN	1	13	L69625	BATTERY LEVER ROD.	1
	L70180	<i>Note b</i>		14	L50628	ROLL PIN .19X1	2
04		NEG. BATTERY CABLE, 12"	1	15	L50174	9/16" FLAT WASHER	2
	102176	<i>Note a (shown in illustration)</i>		16	L69627	SPRING, BATTERY LEVER	1
	101961	POWER PLUG (<i>male end</i>)	1	17	L50061	3/8-16 FLARE NUT	4
	101962	#8 DUETCH SOCKET	1	18 ^b	L69629	BATTERY TRAY WELD.	1
	L70178	<i>Note b</i>		19 ^a	101364	BATTERY TRAY WELD.	1
05	L70179	NEG. BATTERY CABLE, 64"	1	20	L69624	TRAY HINGE (<i>pin</i>)	1
06	L530003	3/8-16 WING NUT	2	21	NSS	BATTERY 12 V BCI NO. 4DLT 1	
07	L43964	SPACER	1				
08	L70146	HOLD DOWN ROD	2				

a S/N 65178 and up
b Thru S/N 65177

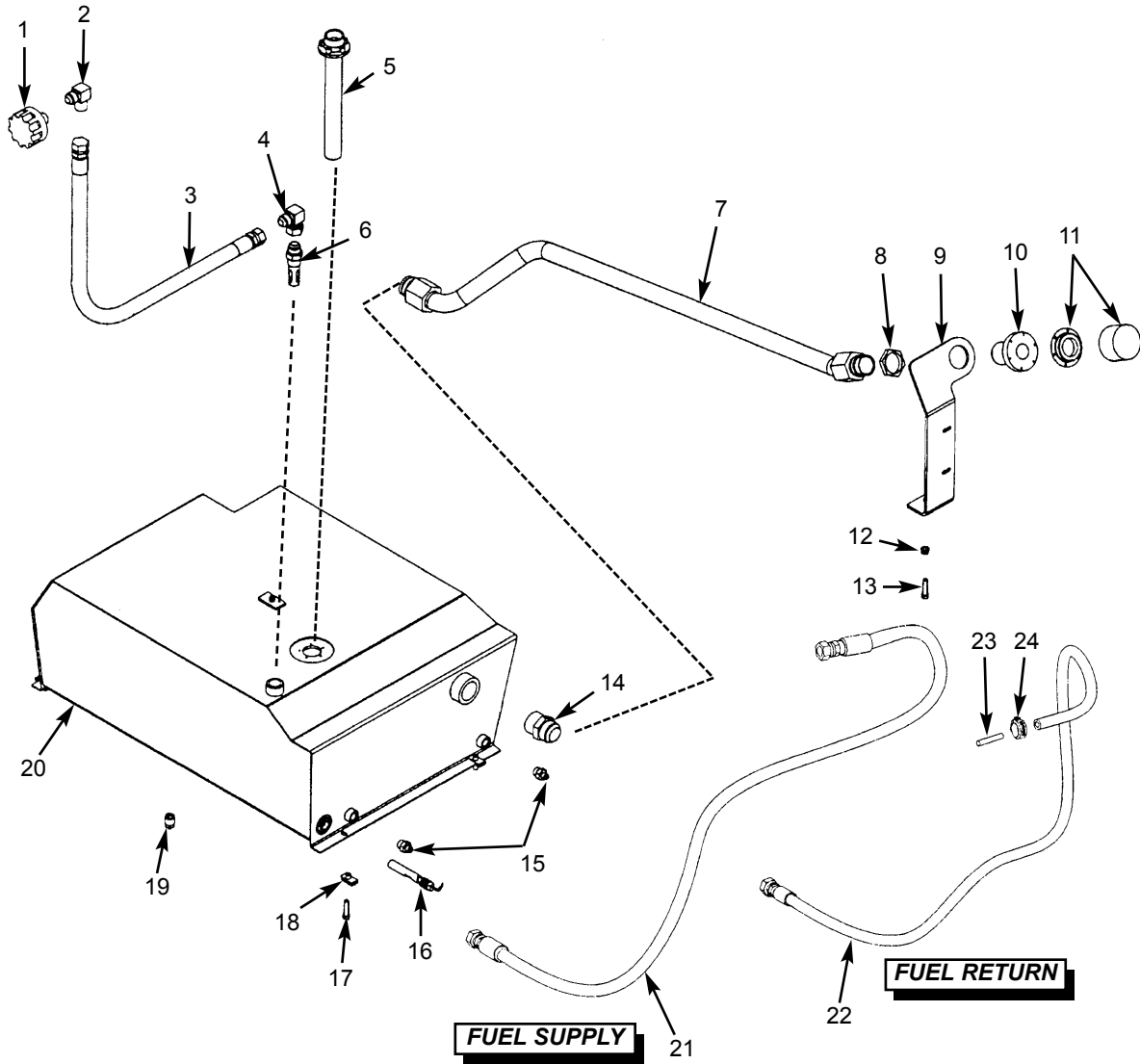
Hydraulic Tank Group



Hydraulic Tank Group

Ref. No.	Part No.	Description	Qty. Req.	Ref. No.	Part No.	Description	Qty. Req.
01	L70377	HYDRAULIC TANK WELDMENT . . .	1	21	L70379	TUBE, FILTER TO TANK.	1
02	L70388	TANK BREATHER.	1	22	L43221	1/2-14 MAGNETIC PLUG	1
03	L442004	ADAP -12JICM -12NPTM 90 DEG . .	1	23	L50251	3/8-16X3/4" BOLT	4
04	L445001	ADAP -12ORM -12JICM 90 DEG . .	1	24	L65211	3/8-16 CLIP RETAINING NUT.	4
05	L70390	HOSE -10 -12JFX - 12JFX 31"	1	25	L70338	SWAGELOK CONNECTOR	1
06	L445003	ADAP -6ORM -6JICM 90 DEG	7	26 ^b	L446047	PLUG -12ORM	1
07	L70378	TANK DIFFUSER	1	27	L69358	SUCTION STRAINER	1
08	L62954	ADAP -20ORM -20JICM 90 DEG . .	2	28	L446001	ADAP -32ORM -32HARB 45 DEG 1	
09	L71413	DIPSTICK, HYDRAULIC OIL	1	29	L70465	2-1/2" T-BOLT BAND CLAMP	1
10	L69578	FILLER CAP ASSEMBLY	1	30	L99970	RESTRICTOR SWITCH	1
	L500227	GASKET.	1			<i>(Included with item 19)</i>	
11	L63546	DIPSTICK HOUSING GROMMET . .	1				
12	L70207	HYD. OIL FILL TUBE, WELDMENT 1		a		<i>Return filter includes Housing, L99459 filter cartridge, L500352 o ring and L99970 switch.</i>	
13	L70234	2" T-BOLT BAND CLAMP	2				
14	L70266	HOSE -24 31".	1	b		<i>Use P471353 -12ORM -10JICM 90 elbow adapter for units equipped with outriggers.</i>	
15	L69636	HYDRAULIC PIPE.	1				
16	L441010	ADAP -24NPTM -24JICM STR	1	c		<i>Used only on units equipped with outriggers.</i>	
17	L50288	5/16-18X1/2" BOLT	4				
18	L448002	ADAP 1/8NPTM 1/8NPTF 45 DEG . .	1				
19 ^a	L69309	RETURN FILTER.	1				
	L99459	HYD. FILTER CARTRIDGE	1				
	L500352	O RING.	1				
	L99970	RESTRICTOR SWITCH <i>(item 32)</i> . .	1				
20	L51587	ADAP -20ORM -20JICM STR	1				

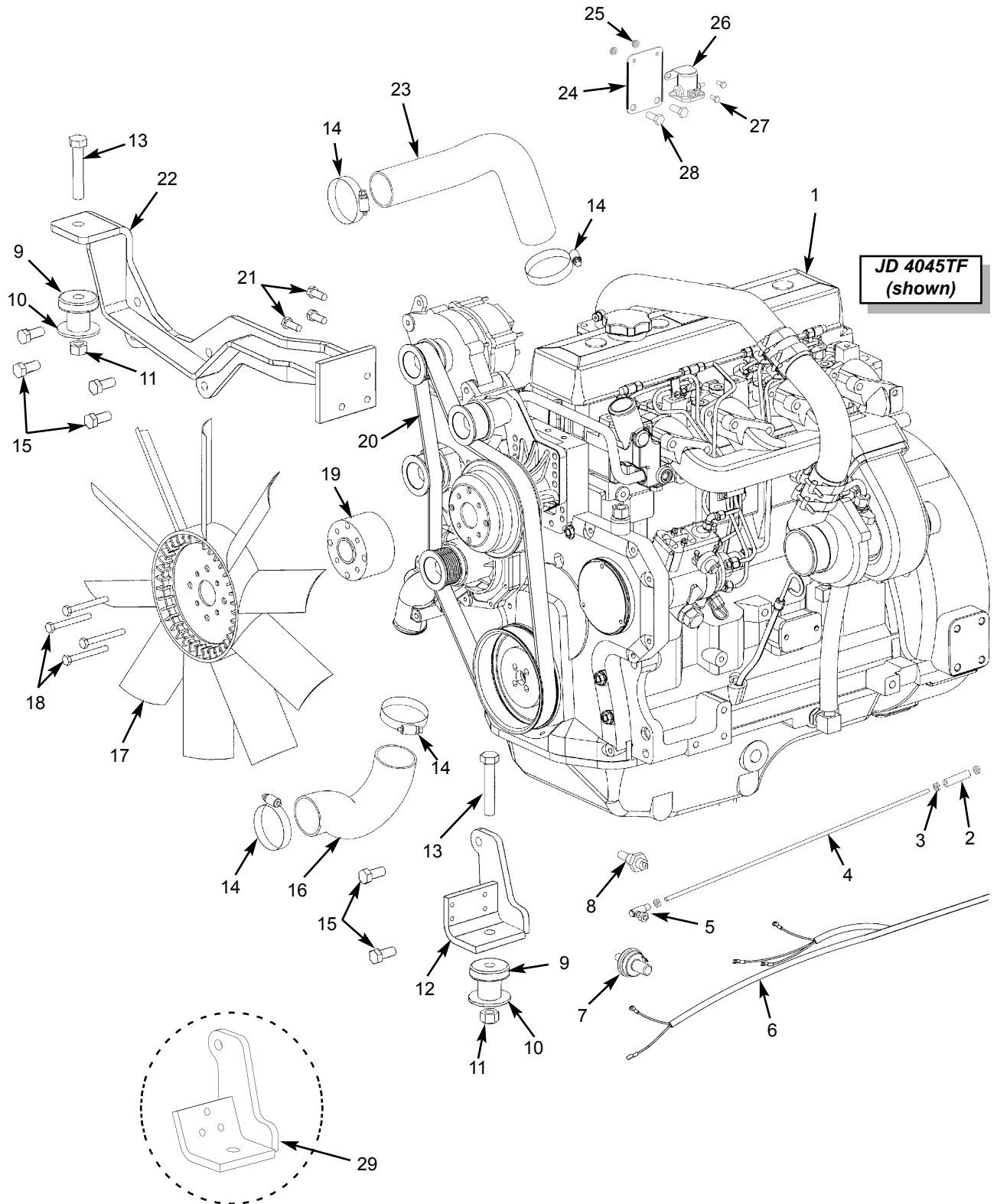
Fuel Tank Group



Fuel Tank Group

Ref. No.	Part No.	Description	Qty. Req.	Ref. No.	Part No.	Description	Qty. Req.
01	L70388	TANK BREATHER.....	1	13	L50261	3/8-16X1-1/2" BOLT	1
02	L442004	ADAP -12JICM -12NPTM 90 DEG .	1	14	L441010	ADAP -24NPTM -24JICM STR	1
03	L70389	BREATHER HOSE	1	15	L277484	ADAP -8ORM -6JICM STR.....	2
04	L446020	ADAP -12JICFS -12JICM 90 DEG .	1	16	L70575	LOW FUEL SWITCH.....	1
05	L70173	FUEL SENDER	1	17	L50251	3/8-16X3/4" BOLT	4
06	L79117	BREATHER VALVE ASSEMBLY...	1	18	L65211	3/8-16 CLIP RETAINING NUT.....	4
07	L69740	FUEL FILL TUBE.....	1	19	L43221	1/2-14 MAGNETIC PLUG	1
08	L69782	1-7/8-12 JAM NUT.....	1	20	L69360	FUEL TANK.....	1
09	L69741	FUEL FILL MOUNT	1	21	L70455	HOSE -6 A6/A5 56" FUEL LINE ...	1
10	L69739	FILLER CAP MOUNT	1	22	L70456	HOSE-4 A6 73" FUEL LINE	1
11	L69578	FILLER CAP ASSEMBLY	1	23	L69166	TUBE, FUEL LINE.....	1
	L500227	GASKET.....	1	24	L75956	HOSE CLAMP #10	1
12	L50061	3/8-16 FLARE NUT	1				

External Engine Components Group



External Engine Components Group

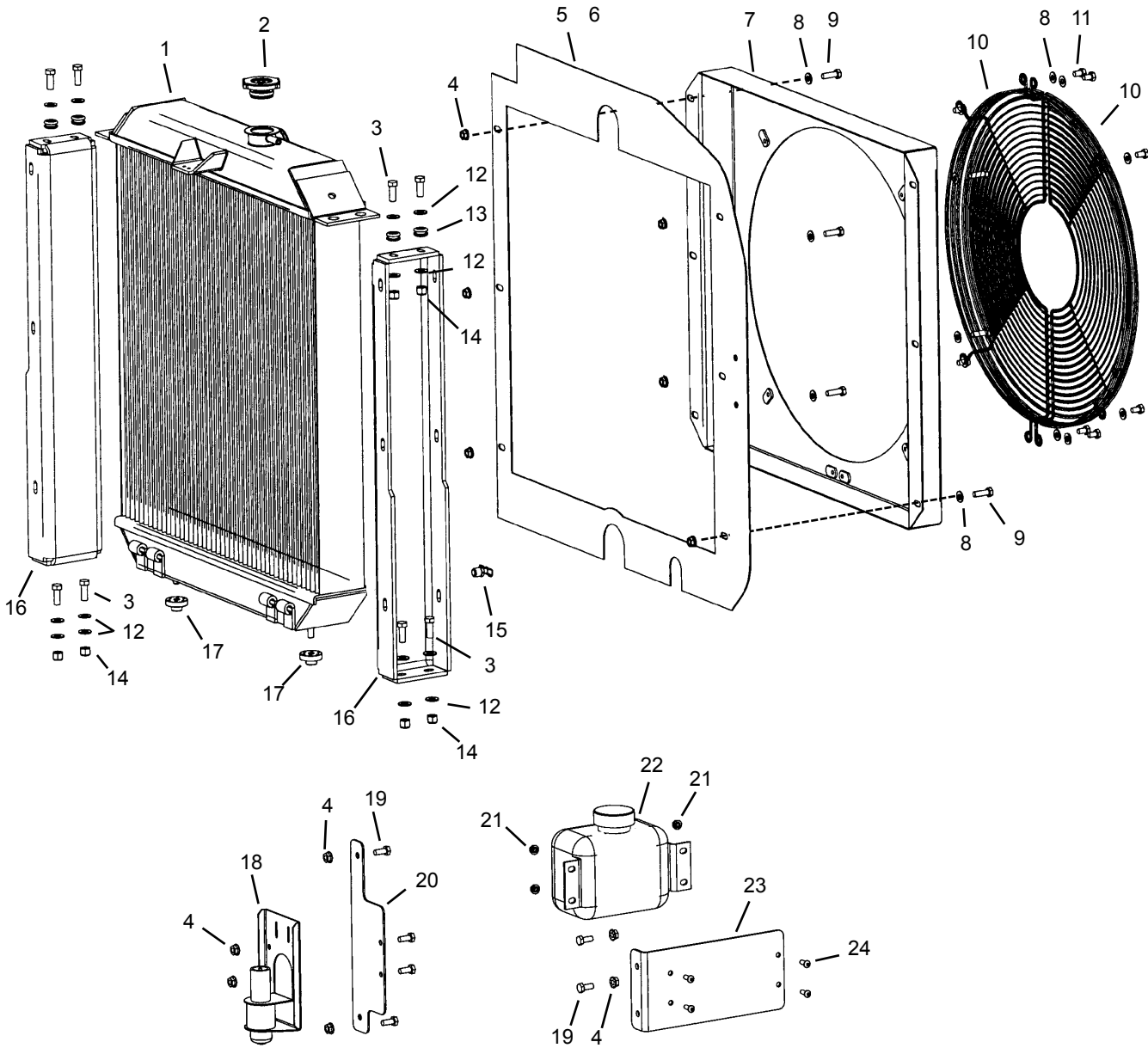
Ref. No.	Part No.	Description	Qty. Req.	Ref. No.	Part No.	Description	Qty. Req.
01	NSS	ENGINE.....	1	19	L70521	FAN SPACER (<i>John Deere</i>).....	1
02 ^b	L64664	COUPLER, ROD TO CABLE	1	20	L500598	FAN BELT	1
03 ^b	L50050	#10-32 NUT	3	21	L50705	M12 1.75X30 MM BOLT	3
04 ^b	L64663	THROTTLE EXTEND ROD.....	1	22	L69807	ENGINE/TRANS. MOUNT	1
04 ^b	L71176	THROTTLE EXTEND ROD.....	1	23		UPPER RADIATOR HOSE	1
05 ^b	L580009	BALL JOINT, #10-32 ROD END ...	1		101869	<i>Note a</i>	
06		WIRE HARNESS.....	1		L69686	<i>Note b</i>	
	101250	<i>Note a</i>		24	L70233	RELAY MOUNT BRACKET.....	1
	101818	HARNESS (<i>not shown</i>) <i>Note a</i>		25	L50051	1/4-20 FLANGE NUT.....	2
	L70865	<i>Note b</i>		26	L41179	STARTER RELAY	1
07		ENG. OIL PRES. SENDER	1	27	L50209	1/4-20X1/2" BOLT	2
	101925	<i>Note a</i>		28	L50706	M12 1.75X20MM BOLT.....	2
	L64646	<i>Note b</i>		29 ^d	100751	ENGINE / AC COMP. MOUNT	1
08		TEMP. SWITCH.....	1			--- ITEMS NOT SHOWN---	
	L64795	<i>Note a (250 set)</i>		00	L65570	ENGINE BLOCK HEATER	1
	L500224	<i>Note b (235 set-Relocation Kit)</i>					
09	L69240	ISO MOUNT	2				
10	L69241	TAIL WASHER ASSY	2				
11	L50519	3/4-10 NYLON INSERT NUT	2				
12 ^c		ENGINE MOUNT.....	1				
13	L50562	3/4-10X4" GR8 BOLT	2				
14	L76020	HOSE CLAMP, #32	4				
15	L50305	M16 2X35 MM BOLT.....	6				
16		LOWER RADIATOR HOSE.....	1				
	101870	<i>Note a</i>					
	L69687	<i>Note b</i>					
17	L69264	20" SUCTION FAN	1				
18	L50422	M8 1.25X70 MM BOLT	4				

NOTE: REFER TO FUEL TANK SECTION FOR A LISTING OF FUEL LINES.

*a S/N 65178 and up
b Thru S/N65177*

c Order P/N 100751. If the unit is equipped with air conditioning, it will also be necessary to order P/N 100226 AC Compressor Bracket and mounting hardware for earlier units. Earlier units had (4) bolt holes for airconditioning bracket, newer units have (3) bolt holes for the airconditioning pump bracket.

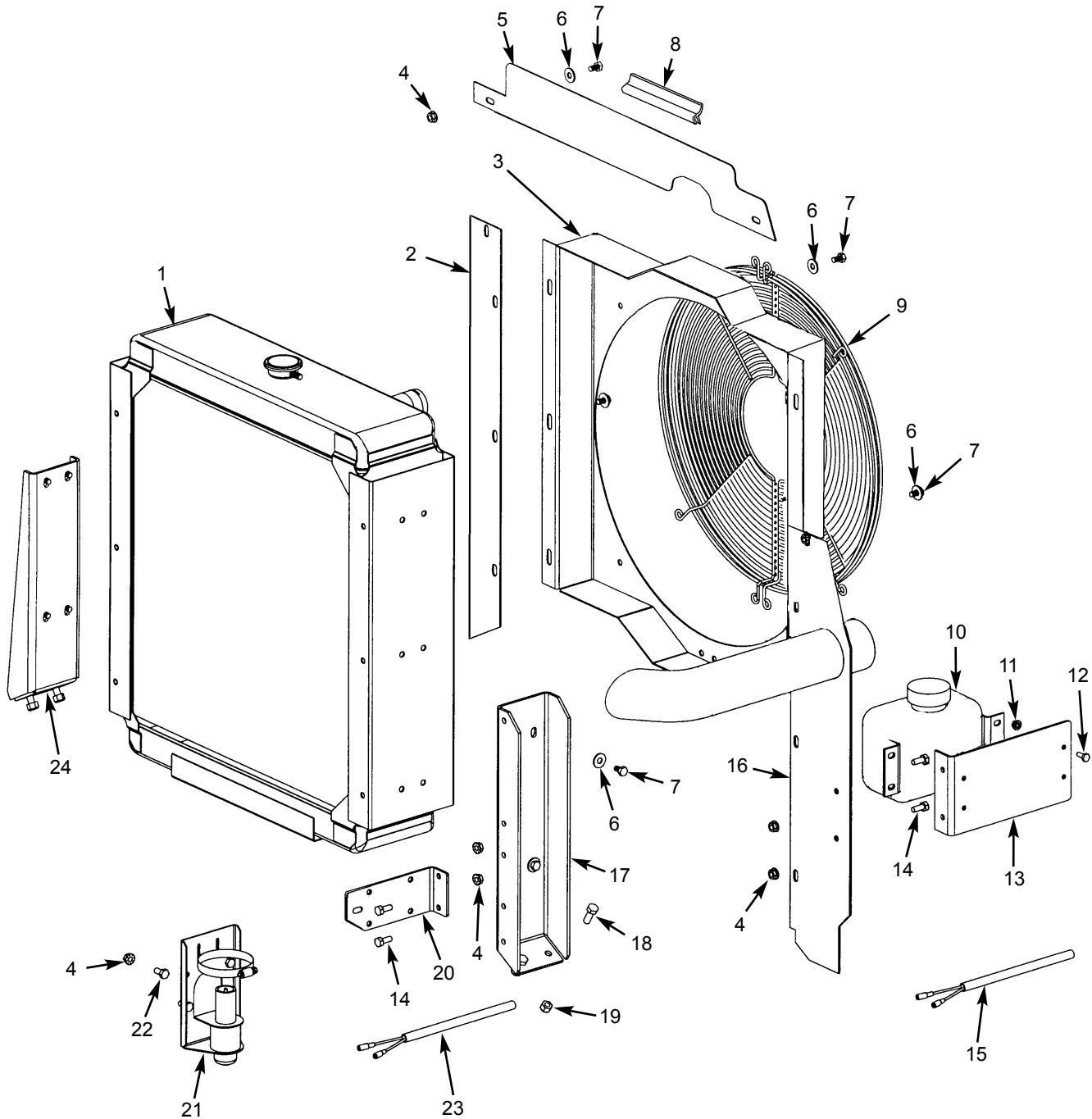
Radiator Group
(S/N 65178 and up; including S/N 65169)



Radiator Group
(S/N 65178 and Up; including S/N 65169)

Ref. No.	Part No.	Description	Qty. Req.	Ref. No.	Part No.	Description	Qty. Req.
01	102278	RADIATOR	1	19	L50230	5/16-18X3/4" BOLT.....	AR
02	102064	RADIATOR CAP, 13 # PSI	1	20	102066	ETHER MOUNT BRACKET	1
03	650490	3/8"-16X1" BOLT	8	21	L50051	1/4-20 WHIZ LOCK NUT.....	4
04	L50056	5/16"-18 FLARE NUT.....	AR	22	L70649	WINDSHIELD WASHER SYS.	1
05	101827	AIR BAFFLE	1			<i>(includes reservoir and pump)</i>	
06	L70725	SEAL TRIM./FEET <i>(not shown)</i>	5	23	102065	WASHER BOTTLE MOUNT	1
07	102031	FAN SHROUD.....	1	24	L50202	1/4-20X5/8" BUTTON HD BOLT ...	4
08	L50141	5/16" FLAT WASHER.....	AR				
09	650027	5/16"-18X1" BOLT	AR				
10 ^a	L69351	FAN GUARD 20"	2			-- ITEMS NOT SHOWN --	
11	L50228	5/16-18X1/2" BOLT.....	AR	06	L70725	SEAL TRIM./FEET <i>(not shown)</i>	5
12	654049	3/8" FLAT WASHER.....	AR	00	L70625	ETHER WIRE HARNESS	1
13	102291	GROMMET, RUBBER 3/8" ID.....	4	00	L70709	WASHER BOTTLE HARNESS	1
14	067847	3/8"-20 LOCKNUT.....	8	00	102262	OVERFLOW HOSE (42")	1
15	L99972	RADIATOR DRAIN COCK.....	1				
16	101828	RADIATOR SUPPORT	2				
17	102292	ISOLATOR, RUBBER	2				
18	L70629	ETHER KIT	1	a		<i>Units equipped with air conditioning, use (2) L70729 Fan Guard 20 (not shown)</i>	

Radiator Group (Thru S/N 65177; except S/N 65169)

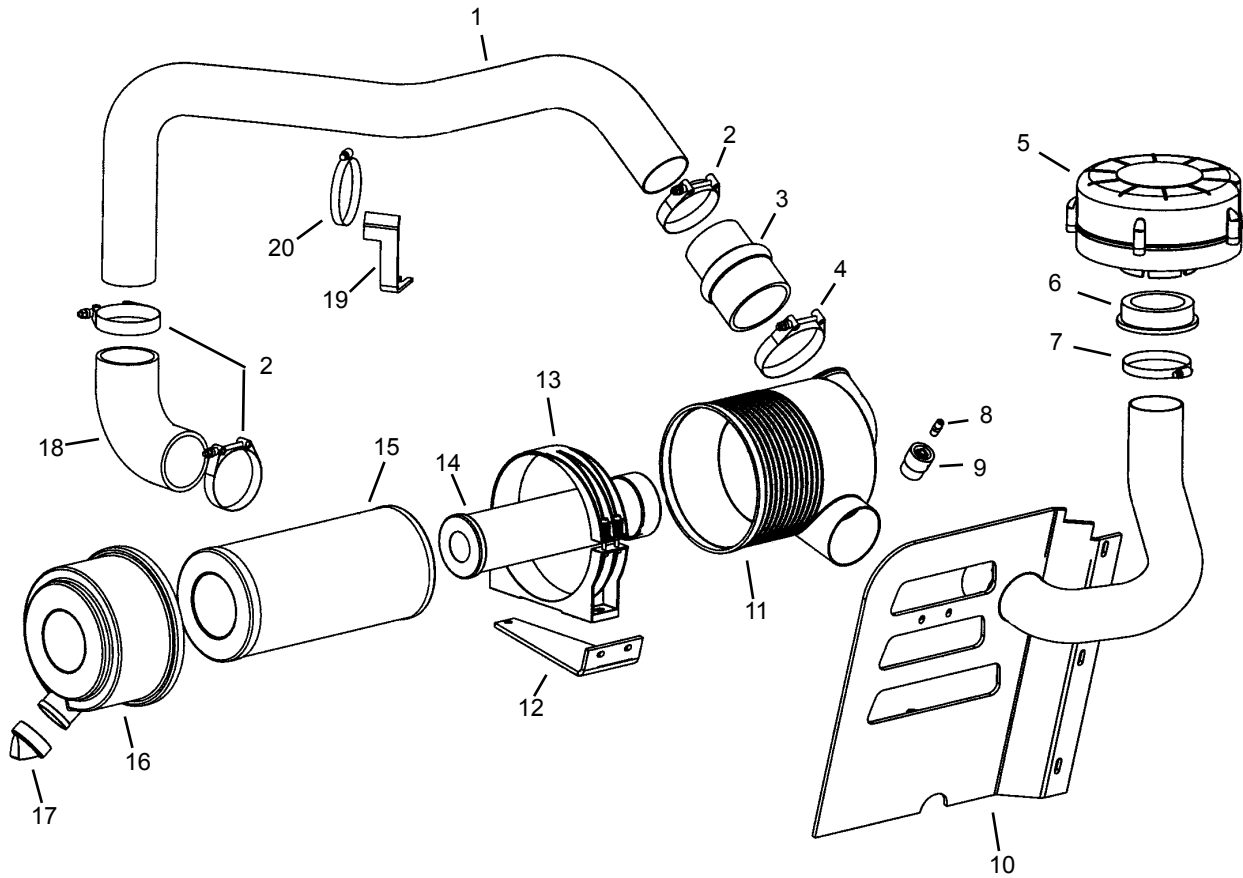


Radiator Group
(Thru S/N 65177; except S/N 65169)

Ref. No.	Part No.	Description	Qty. Req.	Ref. No.	Part No.	Description	Qty. Req.
01	L71583	RADIATOR	1	14	L50230	5/16-18X3/4" BOLT	4
	L99971	RADIATOR CAP, 10 # PSI	1	15	L70709	WASHER BOTTLE HARNESS	1
	L99972	RADIATOR PET COCK	1	16	L70718	AIR BAFFLE RH	1
02	L70496	AIR BAFFLE LH	1	17	L69665	RADIATOR SUPPORT RH	1
03	100527	FAN SHROUD	1	18	L50367	3/8-16X1" BOLT	4
04	L50056	5/16-18 FLARE NUT	8	19	L520005	3/8-16 LOCK NUT	4
05	L71614	AIR BAFFLE TOP	1	20	L71695	ETHER MOUNT BRACKET	1
06	L50141	5/16" FLAT WASHER	24	21	L70629	ETHER KIT	1
07	L50228	5/16-18X1/2" BOLT	24	22	L510008	5/16-18X5/8" BOLT	4
08	L70725	SEAL TRIM./FEET	5	23	L70625	ETHER WIRE HARNESS	1
09 ^a	L69351	FAN GUARD 20"	2	24	L69311	RADIATOR SUPPORT LH	1
10	L70649	WINDSHIELD WASHER SYS.	1				
11	L50051	1/4-20 WHIZ LOCK NUT	4				
12	L50202	1/4-20X5/8" BUTTON HD BOLT ...	4				
13	L70697	WASHER BOTTLE MOUNT	1				

*a Units equipped with air conditioning,
use (2) L70729 Fan Guard 20 (not shown)*

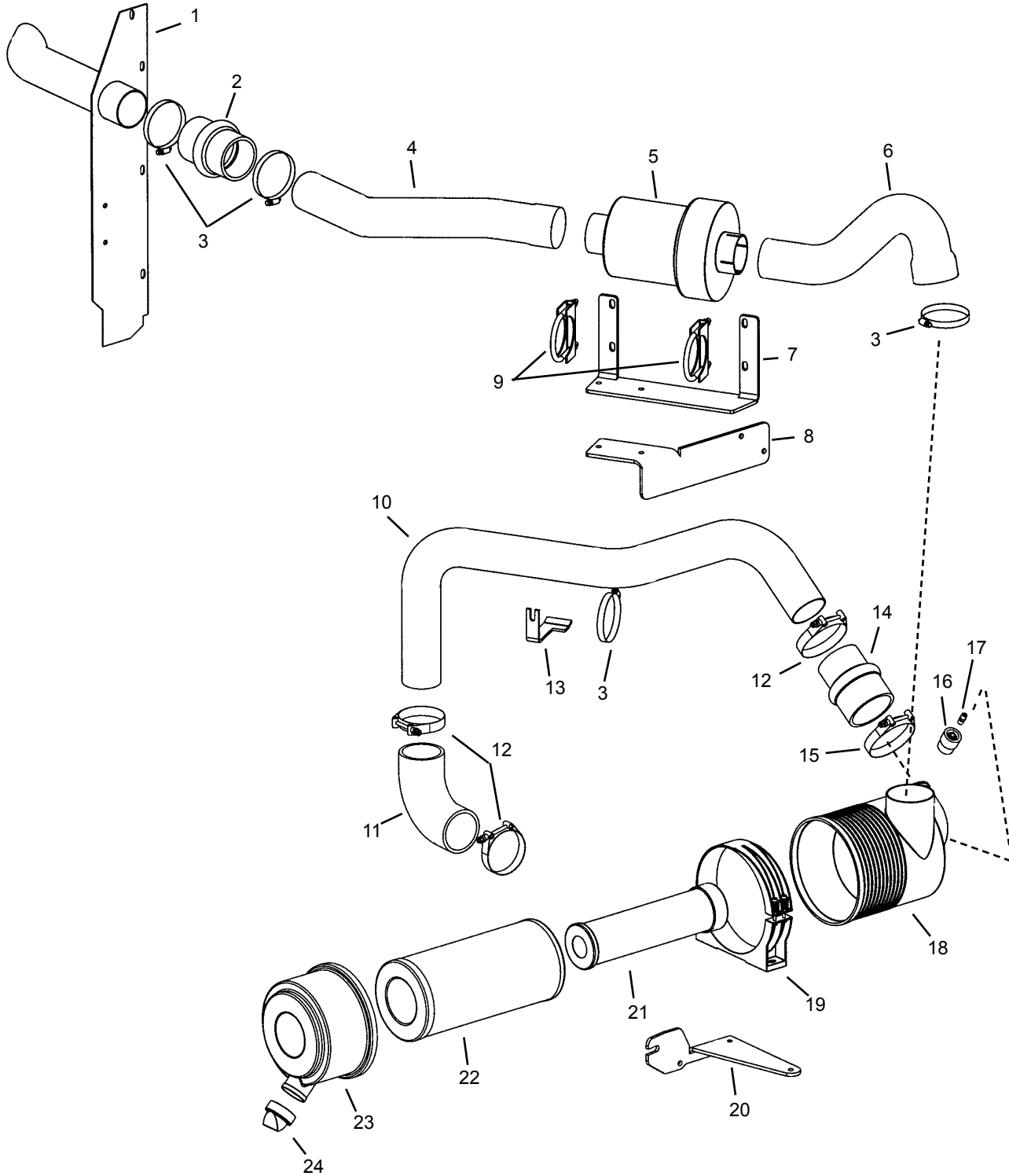
Air Cleaner Group
(S/N 65178 and Up; including S/N 65169)



Air Cleaner Group
(S/N 65178 and Up; including S/N 65169)

01	L69714	AIR INLET PIPE	1	12	101523	BRACKET, AIR FILTER MOUNT. . .	1
02	L70467	T-BOLT BAND CLAMP 3-1/2"	3	13	L69303	AIR CLEANER MOUNT BAND	1
03	L69570	REDUCER, STR	1	14	L99967	AIR FILTER SAFETY ELEMENT . .	1
04	L70468	T-BOLT BAND CLAMP 4"	1	15	L99453	AIR FILTER ELEMENT	1
05	101926	PRECLEANER <i>(includes item 7)</i> . . .	1	16	L99931	END COVER ASSEMBLY	1
06	L68517	REDUCER, RUBBER 4"-3"	1		L99933	LATCH	3
07	NSS	HOSE CLAMP, SAE 64	1	17	L99932	EVACUATOR VALVE.	1
		<i>(included with item 5)</i>		18	L120041	RUBBER ELBOW 90 DEG	1
08	L442059	FITTING.	1	19	L66594	INTAKE PIPE BACKET	1
09	L69306	AIR RESTRICTION INDICATOR. . .	1	20	L51099	HOSE CLAMP, #52	1
10	101349	FRONT PANEL, HIGH AIR	1				
11	L69304	AIR CLEANER ASSEMBLY.	1				
		<i>(Includes items 14-17)</i>					

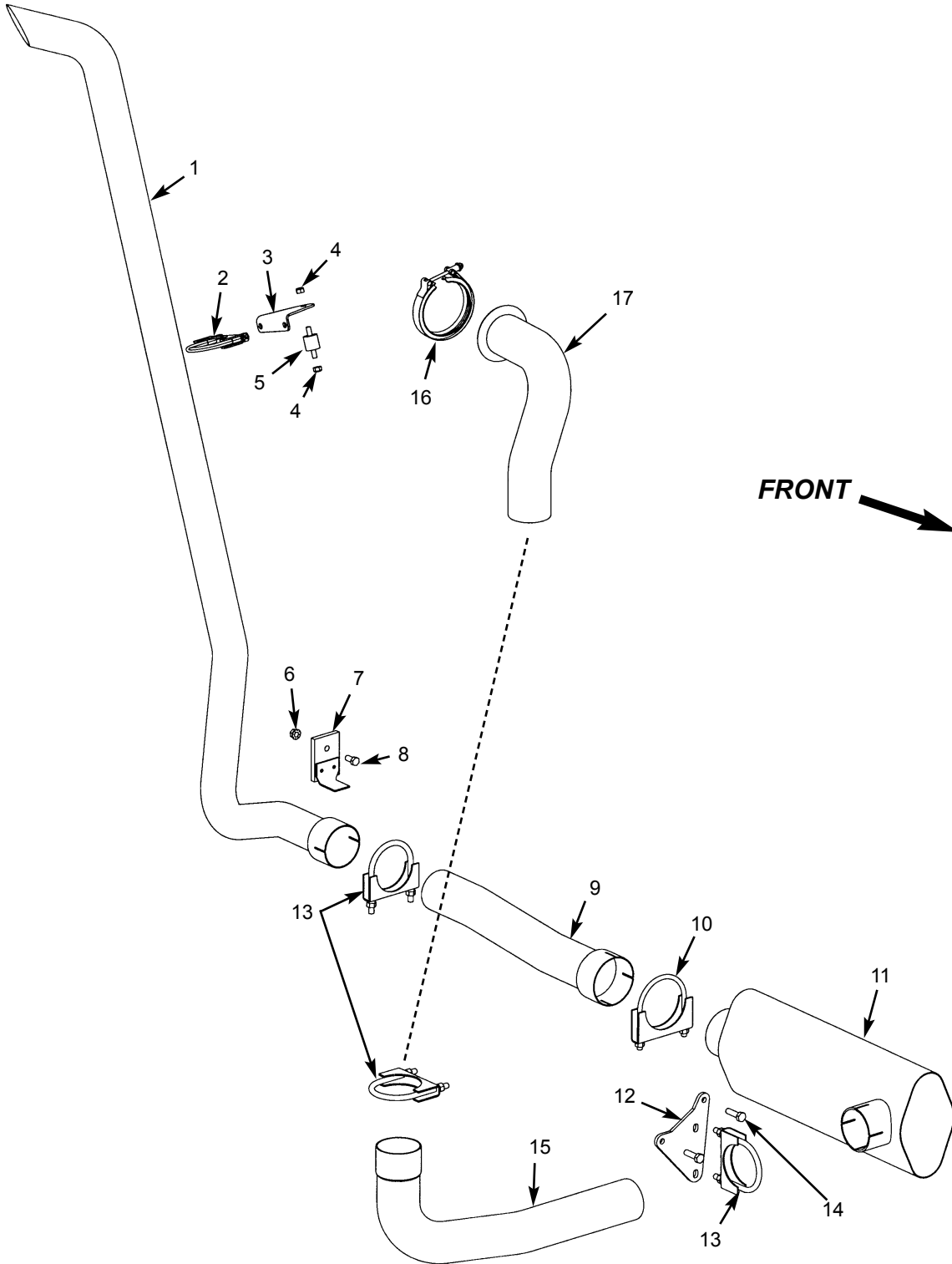
Air Cleaner Group
(Thru S/N 65177; except S/N 65169)



Air Cleaner Group
(Thru S/N 65177; except S/N 65169)

Ref. No.	Part No.	Description	Qty. Req.	Ref. No.	Part No.	Description	Qty. Req.
01	L70718	AIR BAFFLE/INLET	1	15	L70468	T-BOLT BAND CLAMP 4"	1
02	L64787	STRAIGHT ADAPTER	1	16	L69306	AIR RESTRICTION INDICATOR	1
03	L51099	HOSE CLAMP, #52	4	17	L442059	FITTING	1
04	L70653	PRE-CLEANER PIPE	1	18	L69304	AIR CLEANER ASSEMBLY	1
05	101682	PRE-CLEANER (Turbo III)	1			<i>(Includes items 21-24)</i>	
06	L70652	AIR CLEANER PIPE	1	19	L69303	AIR CLEANER MOUNT BAND	1
07	L70656	PRE-CLEANER MOUNT	1	20	L70726	AIR CLEANER BRACKET	1
08	L70657	PRE-CLEANER SUPPORT	1	21	L99967	AIR FILTER SAFETY ELEMENT	1
09	L60492	CLAMP, 3"	2	22	L99453	AIR FILTER ELEMENT	1
10	L69714	AIR INLET PIPE	1	23	L99931	END COVER ASSEMBLY	1
11	L120041	RUBBER ELBOW 90 DEG	1		L99933	LATCH	3
12	L70467	T-BOLT BAND CLAMP 3-1/2"	3	24	L99932	EVACUATOR VALVE	1
13	L66594	INTAKE PIPE BACKET	1				
14	L69570	REDUCER, STR	1				

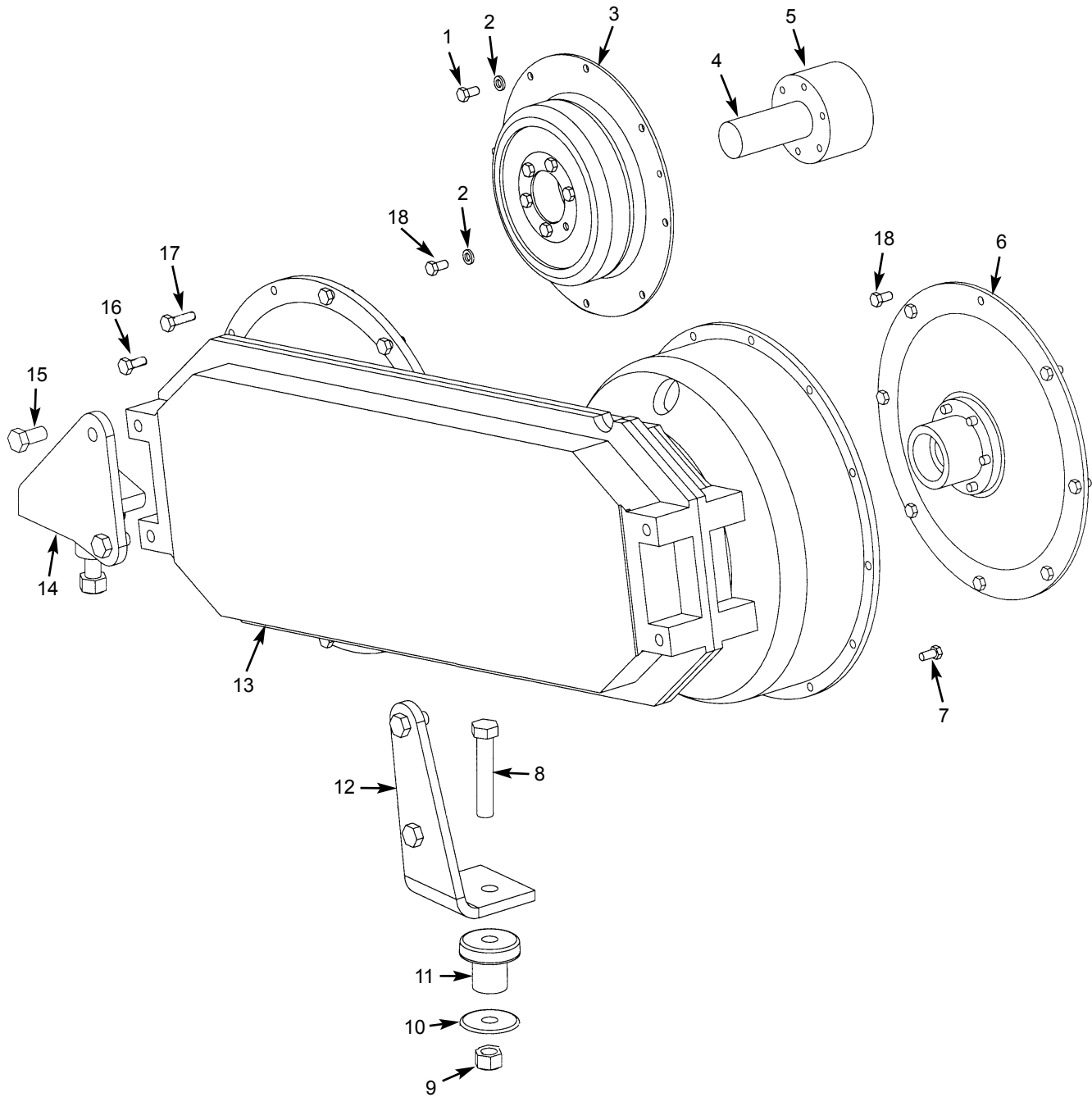
Engine Muffler Group



Engine Muffler Group

Ref. No.	Part No.	Description	Qty. Req.	Ref. No.	Part No.	Description	Qty. Req.
01	L70325	VERTICAL TAIL PIPE	1	10	L50856	3-1/2" MUFFLER CLAMP	1
02	L120047	2-1/2" MUFFLER CLAMP	1	11	L69540	OVAL MUFFLER	1
03	L70333	TAIL PIPE BRACKET	1	12	L69538	MUFFLER BRACKET	1
04	L520004	5/16-18 NYLON INSERT NUT	2	13	L60492	3" MUFFLER CLAMP	3
05	L70335	ISO MOUNT	1	14	L50757	M10 1.5X39 MM BOLT	2
06	L50061	3/8-16 FLARE NUT	1	15	L69567	MUFFLER PIPE	1
07	L64764	FLEXIBLE BRACKET	1	16	L99434	TURBO CLAMP	1
08	L50251	3/8-16X3/4" BOLT	1	17	L69712	OUTLET EXHAUST PIPE	1
09	L70324	HORIZONTAL TAIL PIPE	1				

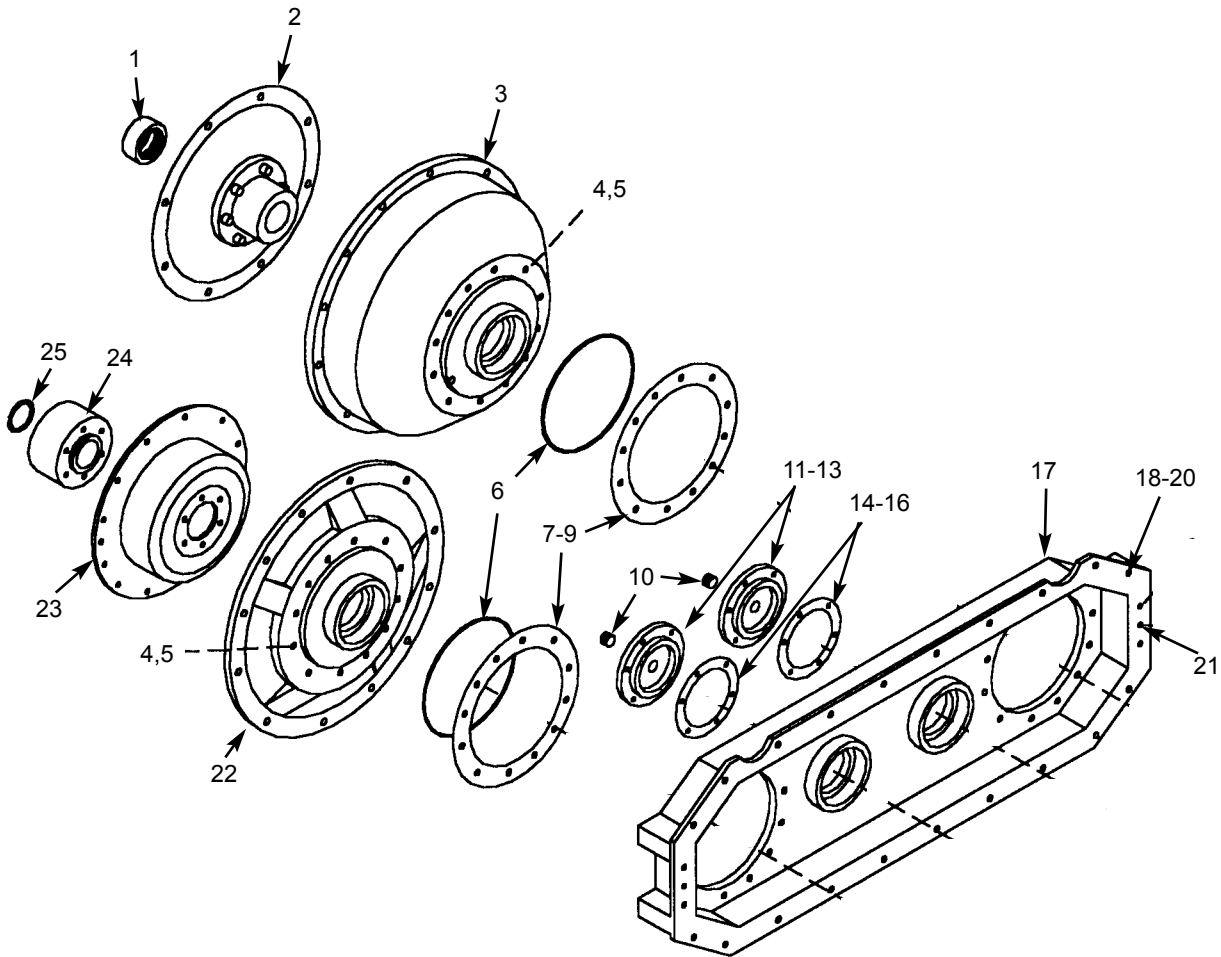
Transfer Case External Components



Transfer Case External Components

Ref. No.	Part No.	Description	Qty. Req.	Ref. No.	Part No.	Description	Qty. Req.
01	L50367	3/8-16x1" BOLT	8	10	L69241	TAIL WASHER	2
02	L50820	3/8" HARDENED WASHER	14	11	L69240	CENTER BONDED MOUNT	2
03	L69400	FLEXIBLE COUPLING	1	12	L69324	CASE MOUNT BAR	1
04	L99825	SHAFT ADAPTER	1	13	L69123	TRANSFER CASE ASY.	1
05	L99799	HUB ADAPTER	1	14	L69265	CASE MOUNT WELDMENT	1
06	L99800	DRIVEN PLATE ASY.	1	15	L50359	5/8-11X1/1/4" BOLT	4
07	L50368	3/8-16X1-1/4" BOLT	12	16	L50952	M10 1.5X25 MM BOLT	8
08	L50562	3/4-10X4" BOLT	2	17	L50727	M10 1.5X35 MM BOLT	4
09	L50519	3/4-10 NYLON INSERT NUT	2	18	L50819	3/8-24X3/4" BOLT	14

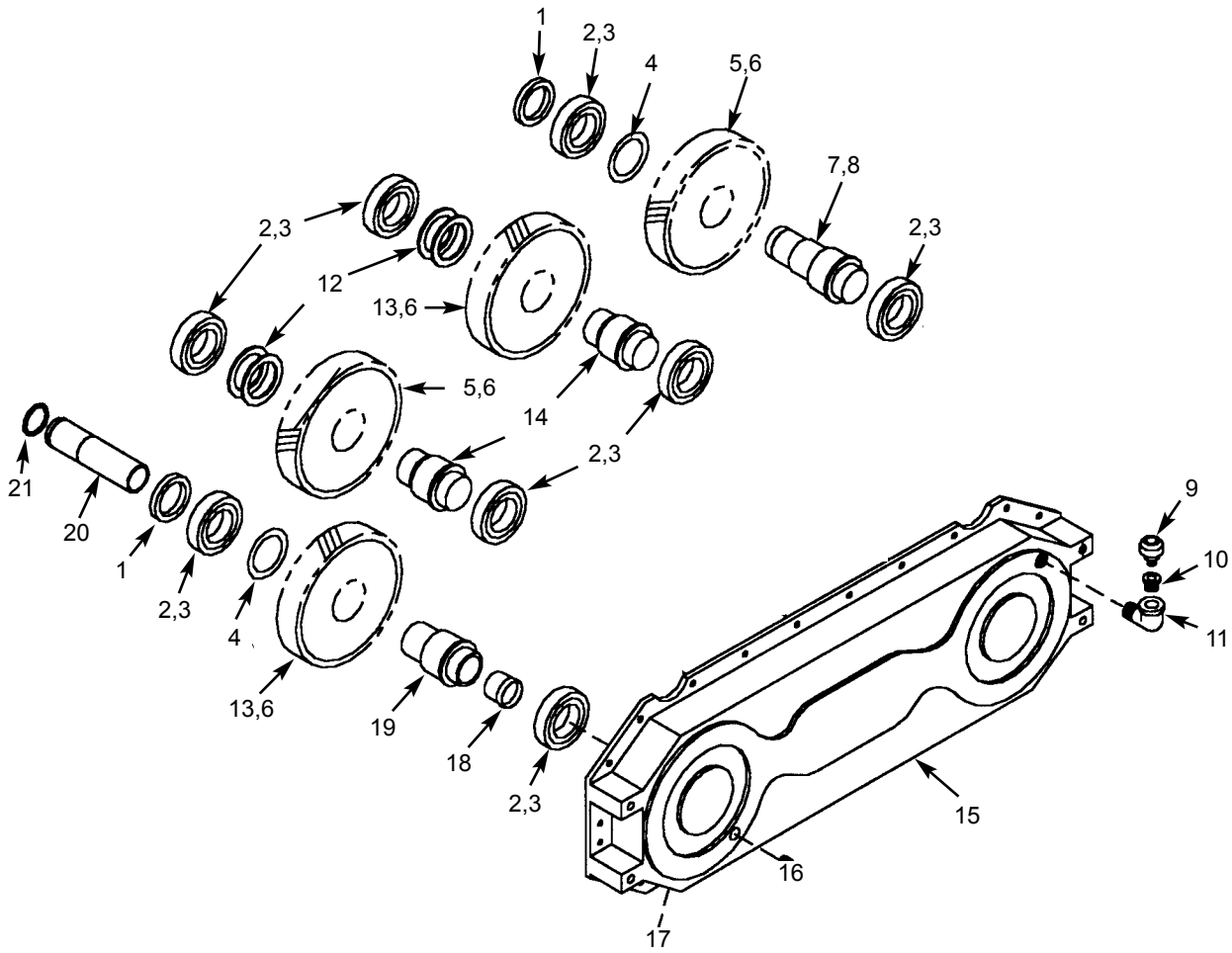
Transfer Case Assembly Group
Part 1 of 2



***Transfer Case Assembly Group
Part 1 of 2***

Ref. No.	Part No.	Description	Qty. Req.	Ref. No.	Part No.	Description	Qty. Req.
01	L99828	EXTERNAL RETAINING RING	1	14	L99812	IDLERS SHIM .005	8
	L99829	BUSHING	1	15	L99813	IDLERS SHIM .007	8
02	L99800	DRIVEN PLATE ASY.	1	16	L99814	IDLERS SHIM .020	2
03	L99797	TRANSMISSION. ADAPTER	1	17	NSS	HOUSING SUB-ASY.	1
04	L50592	1/2-13X1-1/2" GR8 BOLT.	12	18	L50368	3/8-16X1-1/4" GR8 BOLT	14
05	L50152	1/2" LOCK WASHER.	12	19	L50145	3/8 FLAT WASHER	14
06	L99818	O-RING	2	20	L50066	3/8-16 GR8 NUT	14
07	L99809	INPUT/OUTPUT SHIM .007	8	21	L99819	DOWEL PIN.	2
08	L99810	INPUT/OUTPUT SHIM .020	2	22	L99796	ADAPTER, SAE #3.	1
09	L99811	INPUT/OUTPUT SHIM .005	8	23	L69400	FLEXIBLE COUPLING	1
10	L99824	1/2" NPT PLUG	3	24	L99799	HUB ADAPTER	1
11	L99798	END-INTERM. CAP.	2	25	L67379	EXTERNAL RETAINER RING.	2
12	L50823	5/16-18X1" BOLT.	12				
13	L50143	5/16" LOCK WASHER	12				

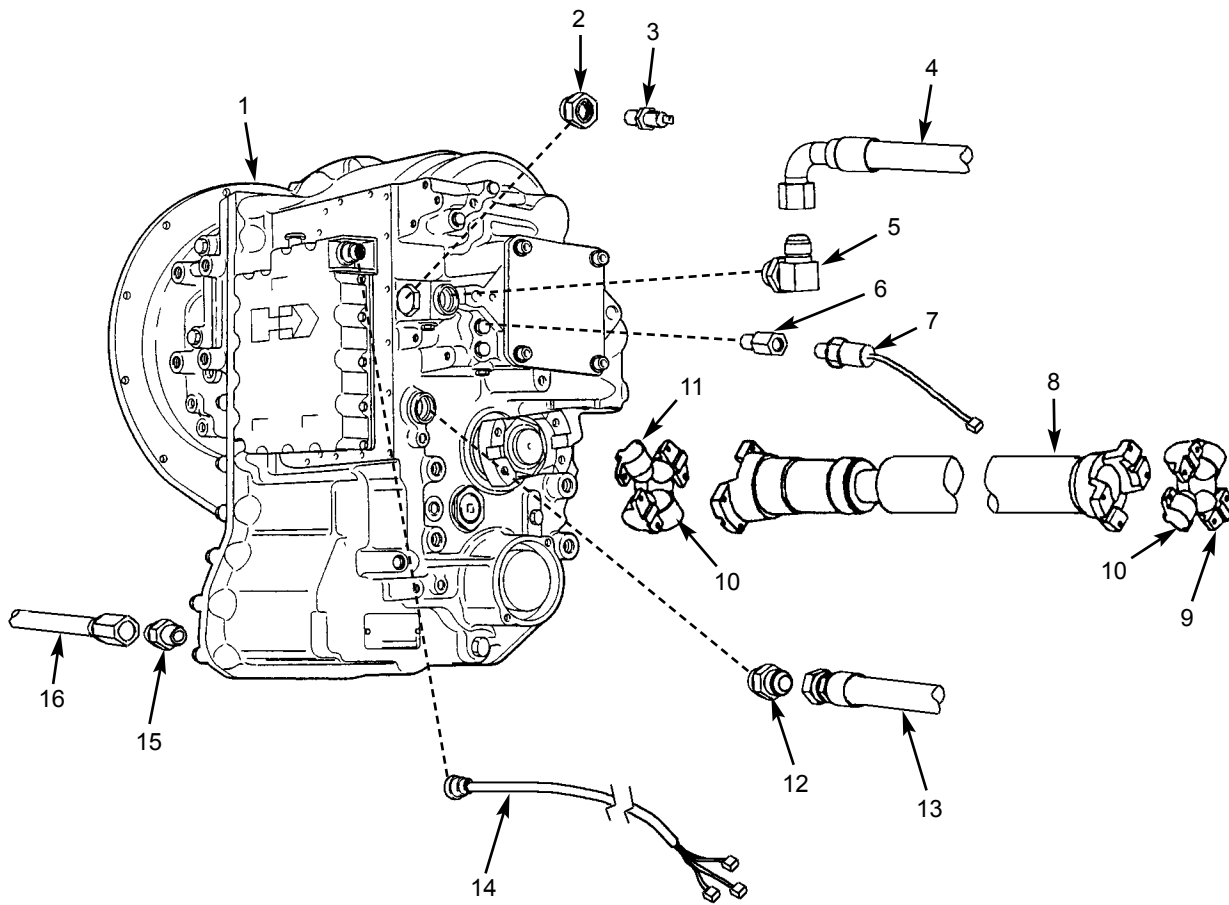
Transfer Case Assembly Group
Part 2 of 2



***Transfer Case Assembly Group
Part 2 of 2***

Ref. No.	Part No.	Description	Qty. Req.	Ref. No.	Part No.	Description	Qty. Req.
01	L99817	HIGH TEMP. VITON SEAL	2	12	L99808	IDLER SPACER.	4
02	L99805	BEARING CONE.	8	13	L99802	LH GEAR (79 TEETH).	2
03	L99806	BEARING CUP	8	14	L99804	IDLER SHAFT	2
04	L99807	OUTERS SPACER	2	15	NSS	HOUSING SUB-ASY.	1
05	L99801	RH GEAR (84 TEETH)	2	16	L99823	1/2" NPT PLUG	3
06	L99816	KEY	4	17	L99822	1/2" NPT MAGNETIC PLUG	1
07	L99826	OUTPUT SHAFT.	1	18	L99815	EXPANSION PLUG.	1
08	L99827	KEY	1	19	L99803	INPUT SHAFT	1
09	L99820	BREATHER	1	20	L99825	SHAFT ADAPTER.	1
10	L99821	3/8" TO 3/4" BUSHING	1	21	L67379	EXTERNAL RETAINER RING.	2
11	L99825	3/4" NPT STREET ELBOW.	1				

External Transmission and Drive Shafts Group



External Transmission and Drive Shafts Group

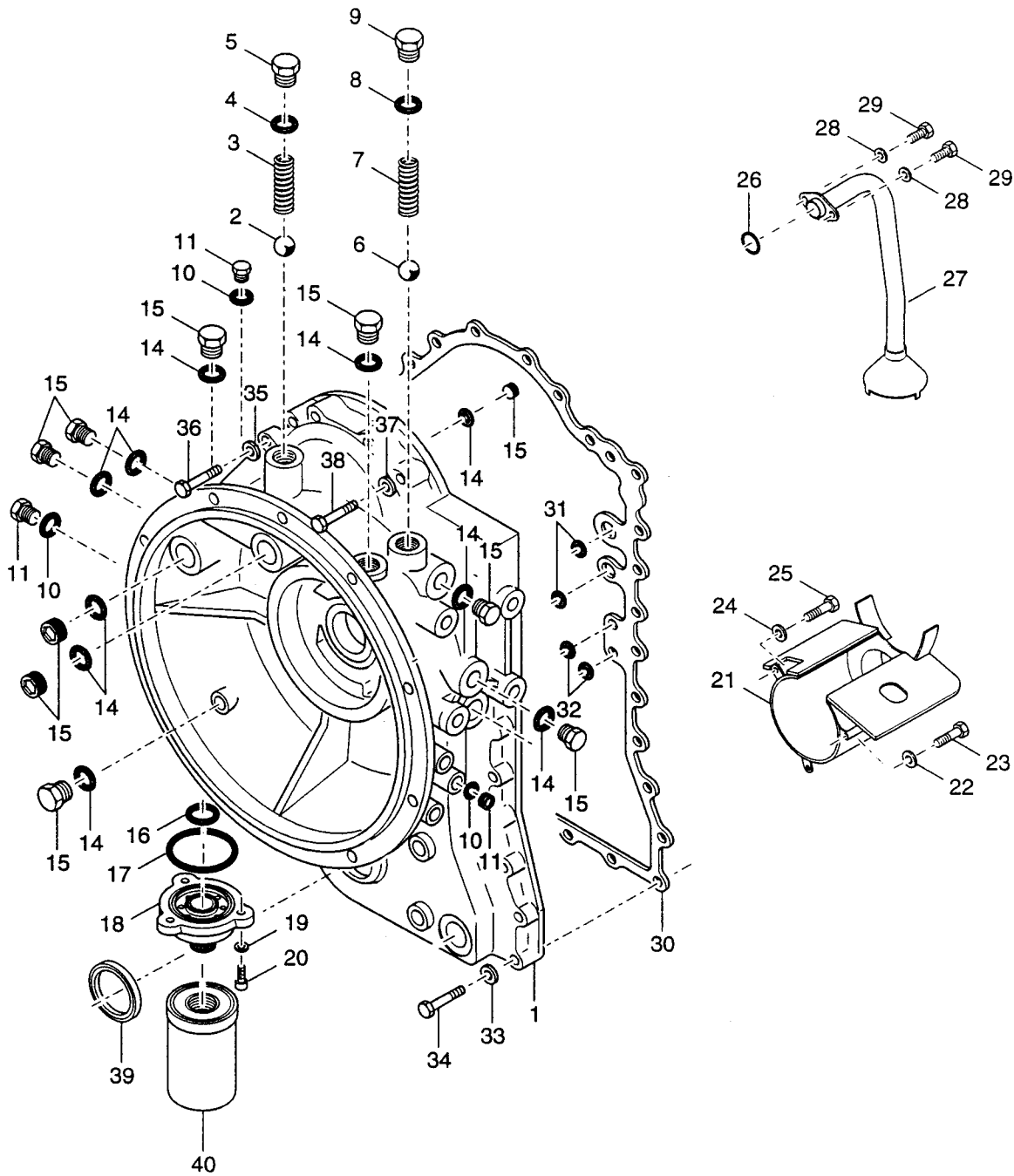
Ref. No.	Part No.	Description	Qty. Req.	Ref. No.	Part No.	Description	Qty. Req.
01	Note a	TRANSMISSION ASY	1		L50468	3/8-24X1-3/4" GR8 BOLT	8
02	L446014	ADAP -12ORM -8NPTF	1	10	L99182	UNIVERSAL JOINT	4
03	L64795	TEMP. SENDER	1	11	L50468	3/8-24X1-3/4" GR8 BOLT	16
04	L70087	HOSE -12 A12/DL12 44"	1		L50147	3/8" LOCK WASHER	16
05	L445001	ADAP -12ORM -12JICM 90 DEG	1	12	L444001	ADAP -12ORM -12JICM	1
06	L445007	ADAP 1/8NPTF -10ORM	1	13	L70083	HOSE -12 A12/A12 35"	1
07	L70133	REV. PRESSURE SWITCH	1	14	L70232	CV WIRE HARNESS	1
08 ^d		FRONT DRIVE SHAFT	1	15	L64853	ADAP -16ORM -12JICM STR.	1
	L69735	<i>Used with 26.25 axle (Note b)</i>		16	L71412	DIPSTICK TUBE ASSEMBLY	1
	100263	<i>Used with 26.48 axle (Note c)</i>					
		REAR DRIVE SHAFT	1			-- ITEMS NOT SHOWN --	
	L69736	<i>Used with 26.25 axle (Note b)</i>		00	L500375	TEST ADAPTER	1
	100264	<i>Used with 26.48 axle (Note c)</i>					
09	L50873	M10X1.0/45MM GR10.9 BOLT	8			<i>a S/N 65142 and prior, use PN L69020</i>	
		<i>(metric used on axle end)</i>				<i>S/N 65143 and up, use PN 100403</i>	
						<i>b Thru S/N 65166</i>	
						<i>c S/N 65167 and up</i>	
						<i>d Driveshafts include universal joints</i>	

AXLE REFERENCE TABLE	
<p>26.25 axles used with the following: Units thru S/N 65166</p>	<p>26.48 axles used with the following: Units S/N 65167 and Up</p>

Hose Locator

Ref No.	From Port	To Port
04	TRANSMISSION "UPPER PORT"	OUTER COOLER UPPER PORT
13	TRANSMISSION "LOWER PORT"	OUTER COOLER LOWER PORT

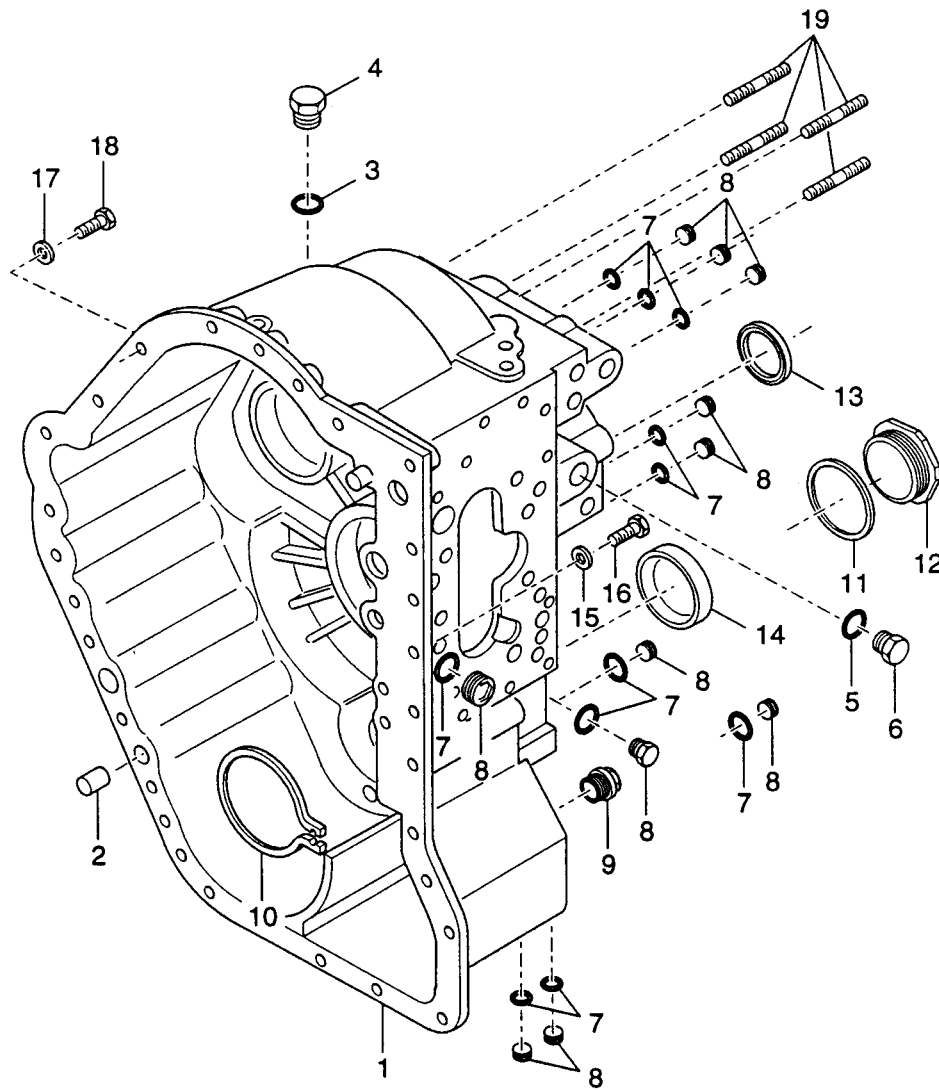
Converter Housing Group



Converter Housing Group

Ref. No.	Part No.	Description	Qty. Req.	Ref. No.	Part No.	Description	Qty. Req.
01	L99661	CONVERTER HSG. ASY.	1	21	L99678	OIL BAFFLE	1
02	L99662	BALL	1	22	L99029	SCREW LOCKWASHER.....	2
03	L99663	BY-PASS SPRING.	1	23	L99679	MOUNTING SCREW.	2
04	L99664	PLUG O-RING (Part of Item 5)	1	24	L99029	SCREW LOCKWASHER.....	1
05	L99665	PLUG (Incls. Item 4)	1	25	L99269	MOUNTING SCREW.	1
06	L99666	BALL	1	26	L99681	SUCT. TUBE O-RING	1
07	L99667	SAFETY VALVE SPRING	1	27	L99682	SUCTION TUBE ASY.	1
08	L99668	PLUG O-RING (Part of Item 9)	1	28	L99029	SCREW LOCKWASHER.....	2
09	L99669	PLUG (Includes.item 8).....	1	29	L99679	MOUNTING SCREW.	2
10	L99670	PLUG O-RING (Part of item 11) ...	3	30	L99683	CASE GASKET	1
11	L99671	PLUG (Includes.item 10).....	3	31	L99680	CASE O-RING	2
12	<i>Not Used</i>			32	L98312	CASE O-RING	2
13	<i>Not Used</i>			33	L99029	SCREW LOCKWASHER.....	14
14	L99672	PLUG O-RING (Part of Item 15) ..	10	34	L99045	CASE SCREW	14
15	L99673	PLUG (Includes.item 14).....	10	35	L99029	SCREW LOCKWASHER.....	1
16	L99674	FILTER ADAPTOR O-RING	1	36	L99285	CASE SCREW	1
17	L99675	FILTER ADAPTOR O-RING	1	37	L99029	SCREW LOCKWASHER.....	5
18	L99676	FILTER ADAPTOR	1	38	L99684	CASE SCREW	5
19	L99029	SCREW LOCKWASHER.....	3	39	L99685	FRONT OUTPUT SHAFT SEAL ...	1
20	L99677	ADAPTOR SCREW.....	3	40	L99440	FILTER ASY.	1

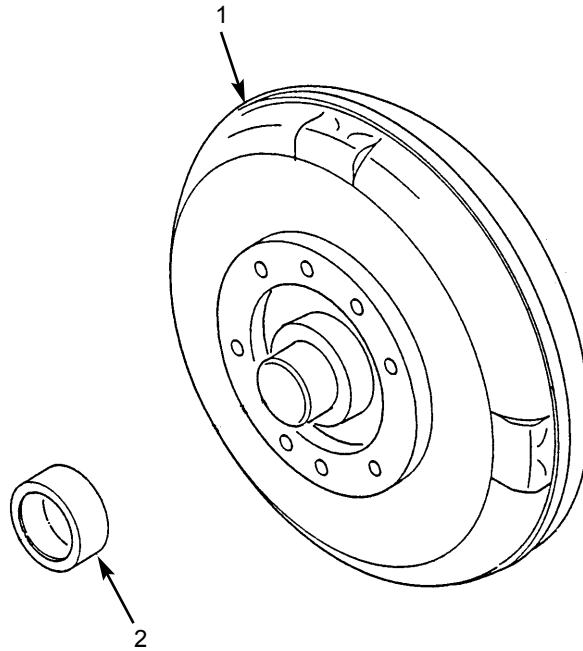
Case Group



Case Group

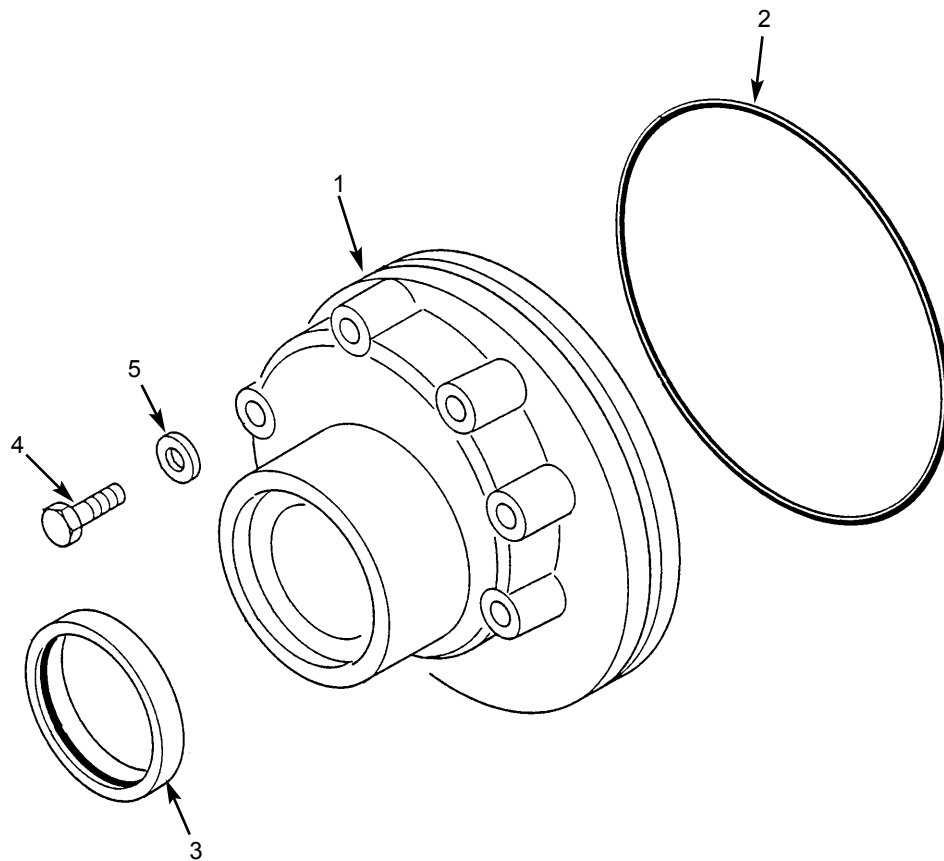
Ref. No.	Part No.	Description	Qty. Req.	Ref. No.	Part No.	Description	Qty. Req.
01	L99686	CASE ASSEMBLY.	1	11	L94818	PLUG GASKET.	1
02	L99786	CASE/HOUSING PIN.	2	12	L99689	PLUG.	1
03	L99672	PLUG O-RING (Part of item 4)	1	13	L99685	REAR SHAFT SEAL.	1
04	L99673	PLUG (Incls. Item 3)	1	14	L99690	SHAFT BORE PLUG.	1
05	L99687	PLUG O-RING (Part of item 6)	1	15	L99029	CASE SCREW LOCKWASHER ...	5
06	L99688	PLUG (Includes.item 5).....	1	16	L99285	CASE SCREW.	5
07	L99670	PLUG O-RING (Part of item 8) ...	11	17	L99029	CASE SCREW LOCKWASHER ...	4
08	L99671	PLUG (Includes.item 7)	11	18	L99285	CASE SCREW.	4
09	L98425	MAGNETIC DRAIN PLUG.	1	19	L99691	STUD.	4
10	L94770	BEARING SNAP RING.	1				

Torque Converter



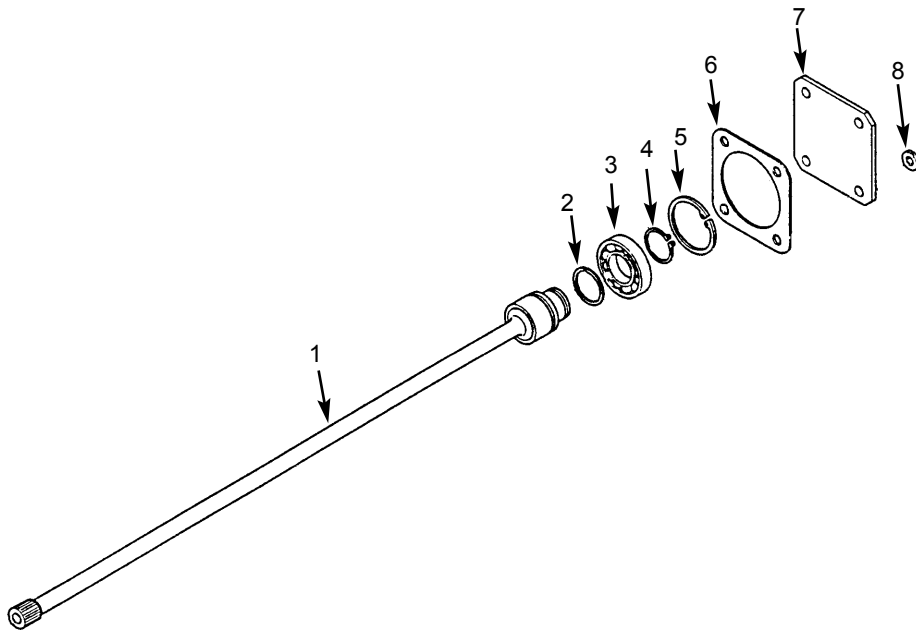
Ref. No.	Part No.	Description	Qty. Req.	Ref. No.	Part No.	Description	Qty. Req.
01	L500440	CONVERTER & BUSHING ASY. . . .	1				
02	L99693	PILOT BUSHING (Part of item 1) . .	1				

Charging Pump



Ref. No.	Part No.	Description	Qty. Req.	Ref. No.	Part No.	Description	Qty. Req.
01	L99702	CHARGE PUMP ASY.....	1	03	L99704	PUMP OIL SEAL.....	1
		(Includes. items 2 & 3)		04	L99705	PUMP MTG. SCREW	6
02	L99703	PUMP O-RING	1	05	L99706	SCREW SEAL WASHER	6

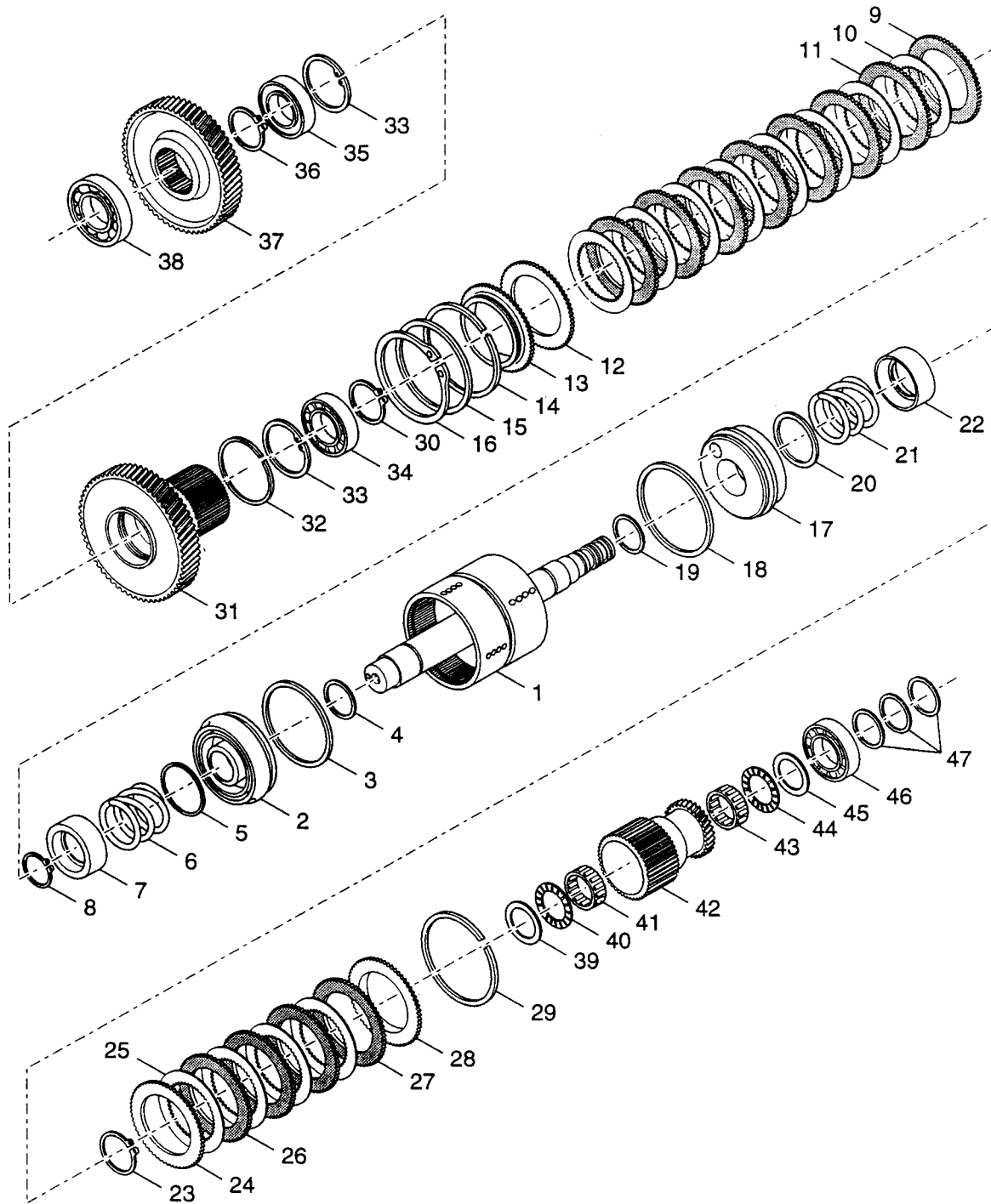
Pump Drive



Pump Drive

Ref. No.	Part No.	Description	Qty. Req.	Ref. No.	Part No.	Description	Qty. Req.
01	L99694	PUMP DRIVE SHAFT	1	05	L99697	BEARING RETAINING RING	1
02	L99695	PISTON RING	1	06	L99698	HOLE COVER GASKET	1
03	L94856	DRIVE SHAFT BEARING	1	07	L99699	HOLE COVER	1
04	L99696	BEARING SNAP RING	1	08	L99700	STUD NUT LOCKWASHER	4

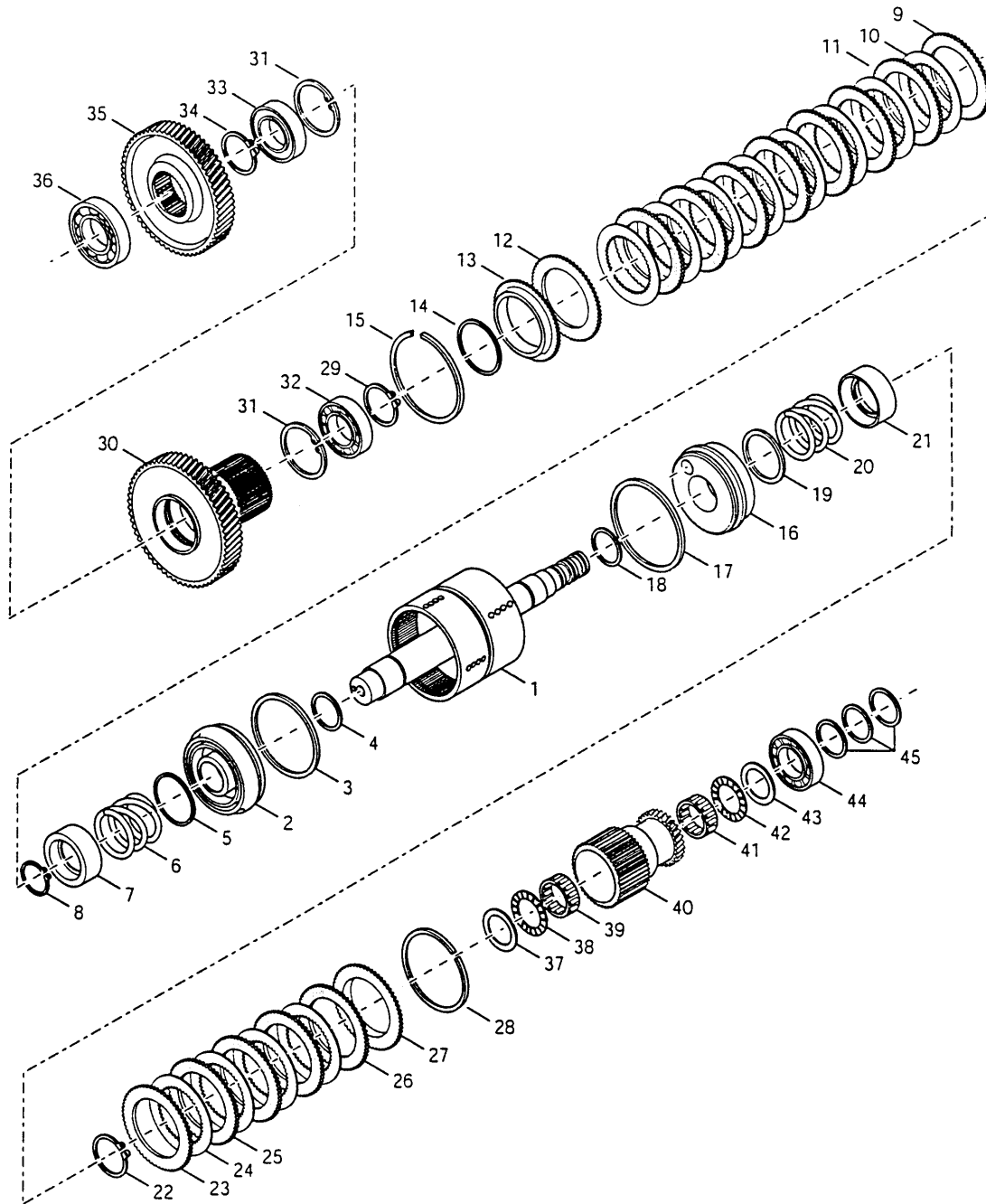
**Fwd. Low/High Shaft & Gears Group
Thru S/N 65142**



**Fwd. Low/High Shaft & Gears Group
Thru S/N 65142**

Ref. No.	Part No.	Description	Qty. Req.	Ref. No.	Part No.	Description	Qty. Req.
01	L99707	DRUM & PLUG ASY.	1	22	L99711	SPRING RETAINER	1
02	L99708	PISTON & SEALS ASY.	1	23	L94849	RETAINER SNAP RING	1
		(Includes.items 3 & 4)		24	L99712	OUTER HALF DISC	1
03	L96065	PISTON OUTER SEAL	1	25	L99713	INNER DISC	4
		(Part of Item 2)		26	L99714	OUTER DISC	3
04	L96066	PISTON INNER SEAL	1	27	L99712	OUTER HALF DISC	1
		(Part of item 2)		28	L99718	DISC BACKING PLATE	1
05	L99709	PISTON WEAR PLATE	1	29	L96060	PLATE SNAP RING	1
06	L99710	PISTON RETURN SPRING	1	30	L98266	BEARING SNAP RING	1
07	L99711	SPRING RETAINER	1	31	L99719	FWD. LOW CLUTCH GEAR (54T) .	1
08	L94849	RETAINER SNAP RING	1	32	L99720	GEAR PISTON RING	1
09	L99712	OUTER HALF DISC	1	33	L99721	FL BRG. LOCATING RING	2
10	L99713	INNER DISC	8	34	L94898	FL GEAR INNER BEARING	1
11	L99714	OUTER DISC	7	35	L99722	GEAR OUTER BEARING	1
12	L99712	OUTER HALF DISC	1			(Shield Out)	
13	L99715	DISC BACKING PLATE	1	36	L98266	BEARING SNAP RING	1
14	L96060	PLATE SNAP RING	1	37	L99723	FWD. DRIVEN GEAR (42T)	1
15	L99716	PLATE SPACER	1	38	L99724	FL/FH SHAFT FRONT BRG.	1
16	L99717	SPACER SNAP RING	1	39	L99725	THRUST BEARING SPACER	1
17	L99708	PISTON & SEALS ASY.	1	40	L99726	FH GEAR THRUST BEARING	1
		(Includes.items 18 & 19)		41	L99727	FH GEAR NEEDLE BEARING	1
18	L96065	PISTON OUTER SEAL	1	42	L99728	FH CLUTCH GEAR (34T)	1
		(Part of item 17)		43	L99727	FH GEAR NEEDLE BEARING	1
19	L96066	PISTON INNER SEAL	1	44	L99726	FH GEAR THRUST BEARING	1
		(Part of item 17)		45	L99725	THRUST BEARING SPACER	1
20	L99709	PISTON WEAR PLATE	1	46	L99729	FL/FH SHAFT REAR BEARING ...	1
21	L99710	PISTON RETURN SPRING	1	47	L99730	FL/FH SHAFT PISTON RING	3

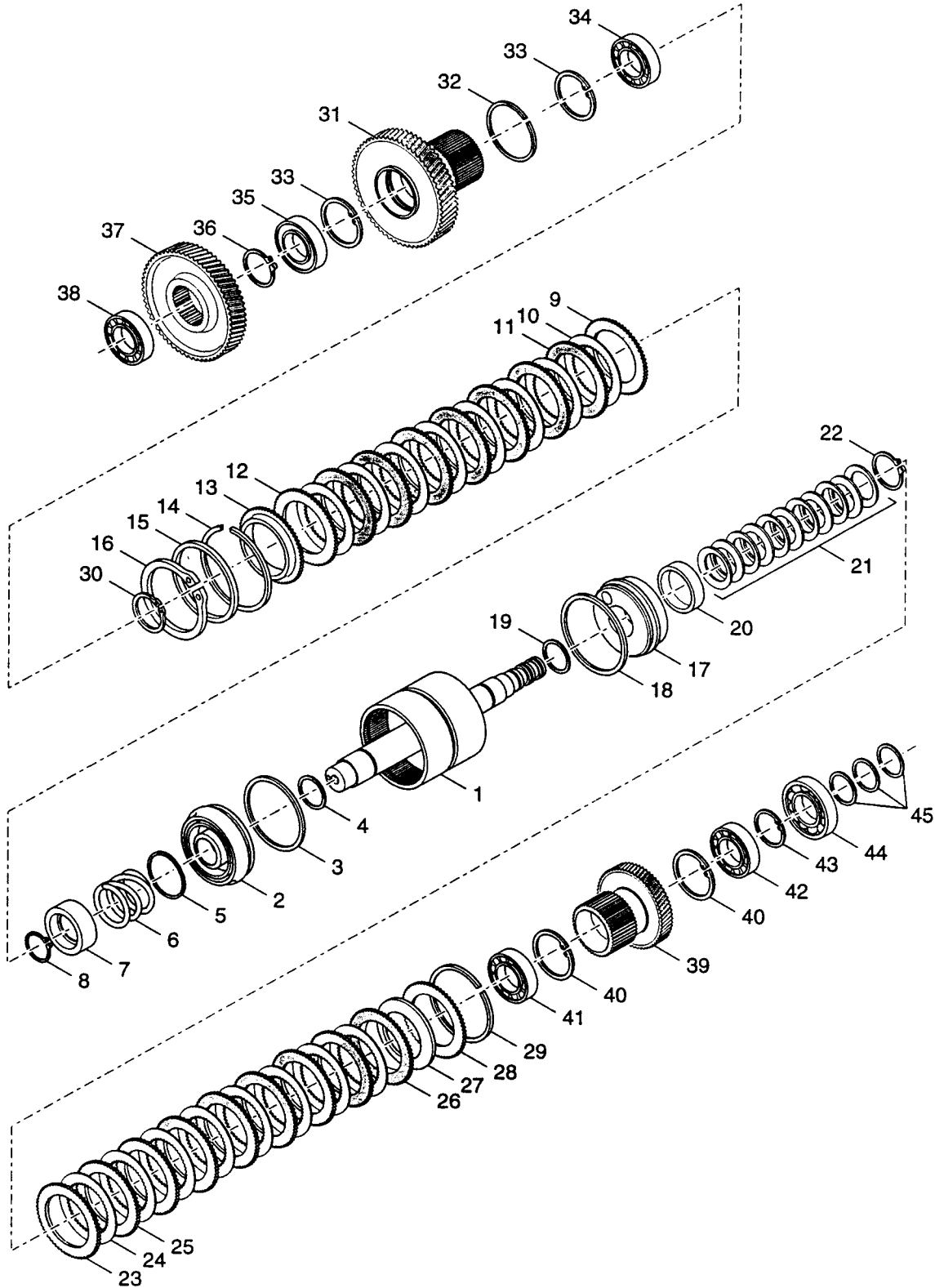
Fwd. Low/High Shaft & Gears Group
S/N 65143 and Up



**Fwd. Low/High Shaft & Gears Group
S/N 65143 and Up**

Ref. No.	Part No.	Description	Qty. Req.	Ref. No.	Part No.	Description	Qty. Req.
01	L500601	DRUM & PLUG ASY.	1	20	L99710	PISTON RETURN SPRING	1
02	L99708	PISTON & SEALS ASY.	1	21	L99711	SPRING RETAINER	1
		(Includes items 3 & 4)		22	L94849	RETAINER SNAP RING	1
03	L96065	PISTON OUTER SEAL	1	23	L99712	OUTER HALF DISC	1
		(Included in item 2)		24	L99713	INNER DISC	4
04	L96066	PISTON INNER SEAL	1	25	L99714	OUTER DISC	3
		(Includes item 2)		26	L99712	OUTER HALF DISC	1
05	L99709	PISTON WEAR PLATE	1	27	L99718	DISC BACKING PLATE	1
06	L99710	PISTON RETURN SPRING	1	28	L96060	PLATE SNAP RING	1
07	L99711	SPRING RETAINER	1	29	L98266	BEARING SNAP RING	1
08	L94849	RETAINER SNAP RING	1	30	L500604	FWD. LOW CLUTCH GEAR (54T) .	1
09	L99712	OUTER HALF DISC	1	31	L99721	FL BRG. LOCATING RING	2
10	L99713	INNER DISC	8	32	L94898	FL GEAR INNER BEARING	1
11	L99714	OUTER DISC	7	33	L99722	GEAR OUTER BEARING	1
12	L99712	OUTER HALF DISC	1			(Shield Out)	
13	L500602	END PLATE AND SEAL ASY	1	34	L98266	BEARING SNAP RING	1
		(Includes item 14)		35	L99723	FWD. DRIVEN GEAR (42T)	1
14	L500603	BACKING PLATE SEAL	1	36	L99724	FL/FH SHAFT FRONT BRG.	1
		(Included in item 13)		37	L99725	THRUST BEARING SPACER	1
15	L96060	PLATE SNAP RING	1	38	L99726	FH GEAR THRUST BEARING	1
16	L99708	PISTON & SEALS ASY.	1	39	L99727	FH GEAR NEEDLE BEARING	1
		(Includes items 17 & 18)		40	L99728	FH CLUTCH GEAR (34T)	1
17	L96065	PISTON OUTER SEAL	1	41	L99727	FH GEAR NEEDLE BEARING	1
		(Included in item 16)		42	L99726	FH GEAR THRUST BEARING	1
18	L96066	PISTON INNER SEAL	1	43	L99725	THRUST BEARING SPACER	1
		(Included in item 16)		44	L99729	FL/FH SHAFT REAR BEARING ...	1
19	L99709	PISTON WEAR PLATE	1	45	L99730	FL/FH SHAFT PISTON RING	3

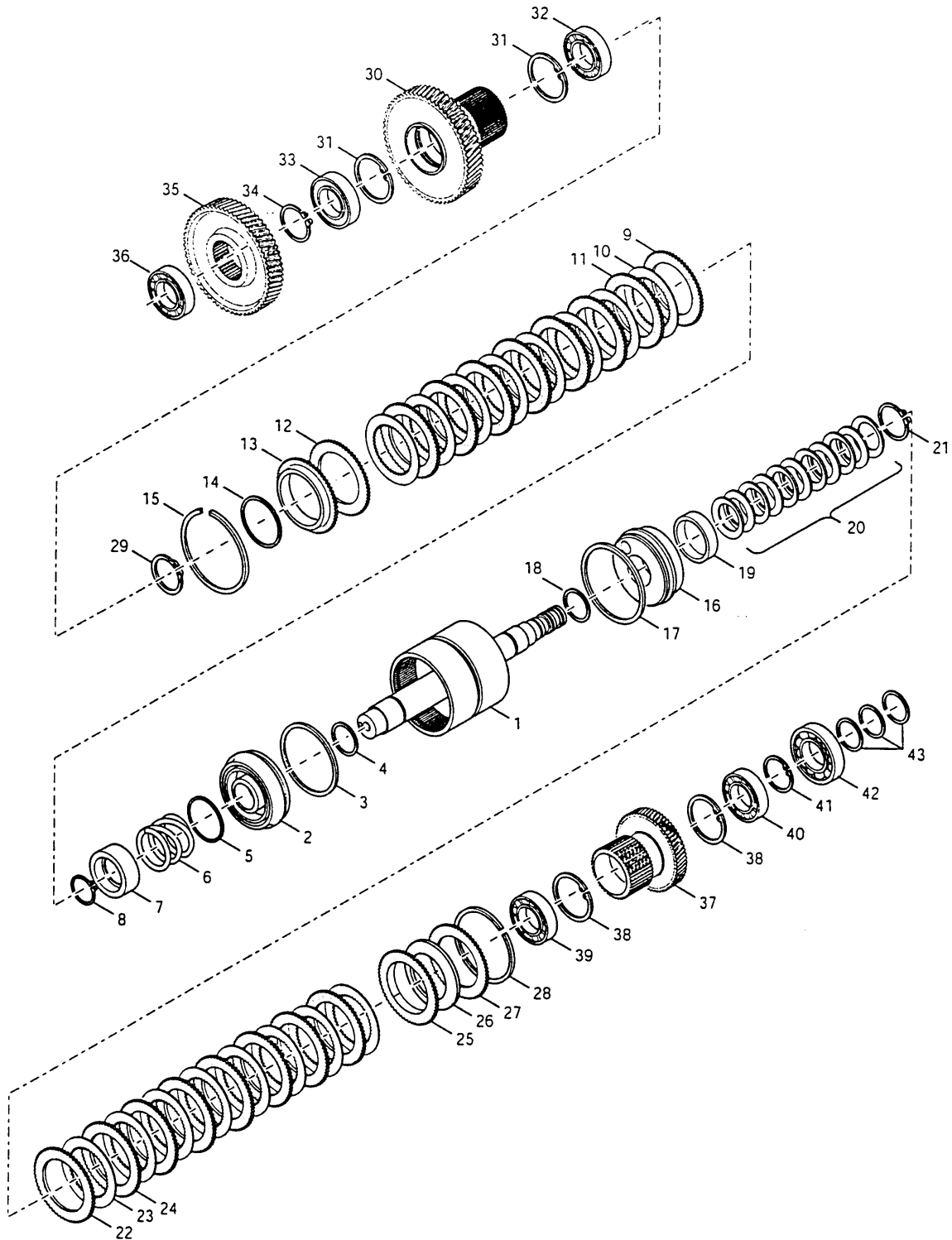
**Rev./1st Shaft & Gears Group
Thru S/N 65142**



**Rev./1st Shaft & Gears Group
Thru S/N 65142**

Ref. No.	Part No.	Description	Qty. Req.	Ref. No.	Part No.	Description	Qty. Req.
01	L99731	R/1 SHAFT DRUM & PLUG ASY...	1	22	L94849	SNAP RING.....	1
02	L99708	PISTON & SEALS ASY.	1	23	L99712	OUTER HALF DISC	1
		(Includes.items 3 & 4)		24	L99713	INNER DISC	8
03	L96065	PISTON OUTER SEAL	1	25	L99714	OUTER DISC	7
		(Part of item 2)		26	L99712	OUTER HALF DISC	1
04	L96066	PISTON INNER SEAL.....	1	27	L99733	MODULATION SPRING	1
		(Part of item 2)		28	L99718	DISC BACKING PLATE.....	1
05	L99709	PISTON WEAR PLATE	1	29	L96060	PLATE SNAP RING.....	1
06	L99710	PISTON RETURN SPRING	1	30	L98266	BEARING SNAP RING	1
07	L99711	SPRING RETAINER	1	31	L99719	REV. CLUTCH GEAR (54T)	1
08	L94849	RETAINER SNAP RING	1	32	L99720	GEAR PISTON RING	1
09	L99712	OUTER HALF DISC	1	33	L99721	R GEAR LOCATING RING	2
10	L99713	INNER DISC	8	34	L94898	R GEAR INNER BEARING.....	1
11	L99714	OUTER DISC	7	35	L99722	R GEAR OUTER BEARING	1
12	L99712	OUTER HALF DISC	1			(Shield Out)	
13	L99715	DISC BACKING PLATE.....	1	36	L98266	BEARING SNAP RING	1
14	L96060	BACKING PLATE SNAP RING ...	1	37	L99734	REV. DRIVEN GEAR (50T).....	1
15	L99716	BACKING PLATE SPACER.....	1	38	L99724	R/1 SHAFT FRONT BEARING ...	1
16	L99717	SPACER SNAP RING	1	39	L99735	1ST CLUTCH GEAR (30T).....	1
17	L99708	PISTON & SEALS ASY.....	1	40	L99736	BEARING LOCATING RING.....	2
		(Includes.items 18 & 19)		41	L99737	1ST GEAR INNER BEARING ...	1
18	L96065	OUTER SEAL (Part of item 17)...	1	42	L99738	1ST GEAR OUTER BEARING ...	1
19	L96066	INNER SEAL (Part of item 17) ...	1			(Shield Out)	
20	L99732	PISTON WEAR PLATE	1	43	L99739	BEARING SNAP RING	1
21	L99787	RETURN SPRING.....	1	44	L99740	R/1 SHAFT REAR BEARING ...	1
		(Belleville Washer)		45	L99730	R/1 SHAFT PISTON RING	3

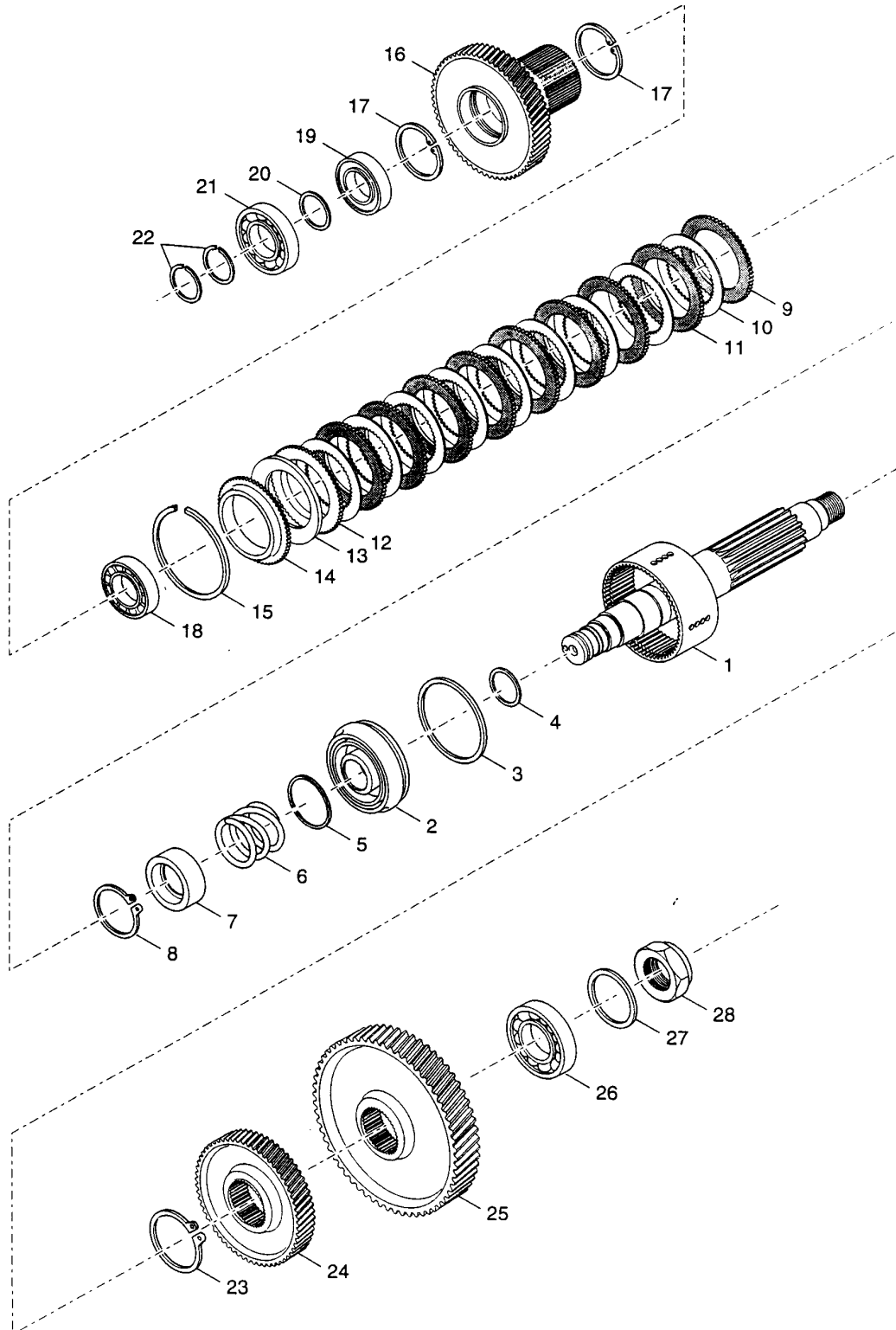
Rev./1st Shaft & Gears Group
S/N 65143 and Up



Rev./1st Shaft & Gears Group
S/N 65143 and Up

Ref. No.	Part No.	Description	Qty. Req.	Ref. No.	Part No.	Description	Qty. Req.
01	L500605	DRUM & PLUG ASY.	1	20	L99787	RETURN SPRING.....	1
02	L99708	PISTON & SEALS ASY.	1			(Belleville Washer)	
		(Includes items 3 & 4)		21	L94849	SNAP RING.....	1
03	L96065	PISTON OUTER SEAL.....	1	22	L99712	OUTER HALF DISC	1
		(Included in item 2)		23	L99713	INNER DISC	8
04	L96066	PISTON INNER SEAL.....	1	24	L99714	OUTER DISC	7
		(Includes item 2)		25	L99712	OUTER HALF DISC	1
05	L99709	PISTON WEAR PLATE.....	1	26	L99733	MODULATION SPRING	1
06	L99710	PISTON RETURN SPRING	1	27	L99718	DISC BACKING PLATE.....	1
07	L99711	SPRING RETAINER	1	28	L96060	PLATE SNAP RING.....	1
08	L94849	RETAINER SNAP RING	1	29	L98266	BEARING SNAP RING	1
09	L99712	OUTER HALF DISC	1	30	L500604	REV. CLUTCH GEAR (54T)	1
10	L99713	INNER DISC	8	31	L99721	R GEAR LOCATING RING	2
11	L99714	OUTER DISC	7	32	L94898	R GEAR INNER BEARING.....	1
12	L99712	OUTER HALF DISC	1	33	L99722	R GEAR OUTER BEARING	1
13	L500602	END PLATE AND SEAL ASY	1			(Shield Out)	
		(Includes item 14)		34	L98266	BEARING SNAP RING	1
14	L500603	BACKING PLATE SEAL	1	35	L99734	REV. DRIVEN GEAR (50T).....	1
		(Included in item 13)		36	L99724	R/1 SHAFT FRONT BEARING	1
15	L96060	PLATE SNAP RING.....	1	37	L99735	1ST CLUTCH GEAR (30T).....	1
16	L99708	PISTON & SEALS ASY.....	1	38	L99736	BEARING LOCATING RING.....	2
		(Includes items 17 & 18)		39	L99737	1ST GEAR INNER BEARING	1
17	L96065	PISTON OUTER SEAL.....	1	40	L99738	1ST GEAR OUTER BEARING	1
		(Include in item 16)				(Shield Out)	
18	L96066	PISTON INNER SEAL.....	1	41	L99739	BEARING SNAP RING	1
		(Included in item 16)		42	L500600	R/1 SHAFT REAR BEARING	1
19	L99709	PISTON WEAR PLATE.....	1	43	L99730	R/1 SHAFT PISTON RING	3

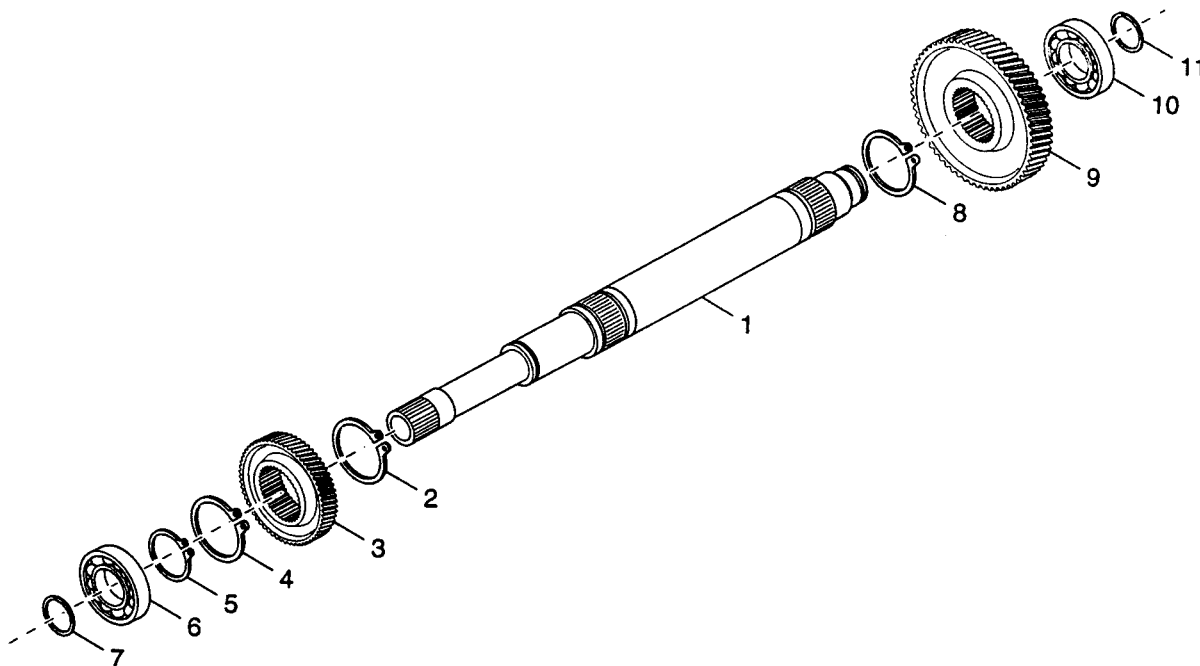
2nd Shaft Group



2nd Shaft Group

Ref. No.	Part No.	Description	Qty. Req.	Ref. No.	Part No.	Description	Qty. Req.
01	L99745	2ND SHAFT, HUB		15	L96060	BACKING PLATE SNAP RING	1
		DRUM & PLUG ASY.	1	16	L99746	2ND CLUTCH GEAR (52T).	1
02	L99708	PISTON & SEALS ASY.	1	17	L99736	BEARING LOCATING RING	2
		(Includes.items 3 & 4)		18	L99737	2ND GEAR INNER BEARING.	1
03	L96065	PISTON OUTER SEAL	1	19	L99738	2ND GEAR OUTER BRG.	1
		(Part of item 2)				(Shield Out)	
04	L96066	PISTON INNER SEAL.	1	20	L99747	BEARING SUPPORT WASHER	1
		(Part of item 2)		21	L99740	2ND SHAFT FRONT BEARING	1
05	L99709	PISTON WEAR PLATE	1	22	L99730	2ND SHAFT PISTON RING	2
06	L99710	PISTON RETURN SPRING	1	23	L99748	GEAR RETAINER SNAP RING. . . .	1
07	L99711	SPRING RETAINER	1	24	L99749	LOWER OUTPUT	
08	L94849	RETAINER SNAP RING	1			DRIVE GEAR (41T)	1
09	L99712	OUTER HALF DISC	1	25	L99750	UPPER OUTPUT	
10	L99713	CLUTCH INNER DISC	8			DRIVE GEAR (59T)	1
11	L99714	CLUTCH OUTER DISC.	7	26	L99751	2ND SHAFT REAR BEARING	1
12	L99712	OUTER HALF DISC	1	27	L99752	OUTPUT FLANGE WASHER	1
13	L99733	MODULATION SPRING	1	28	L99753	OUTPUT FLANGE NUT	1
14	L99718	DISC BACKING PLATE.	1				

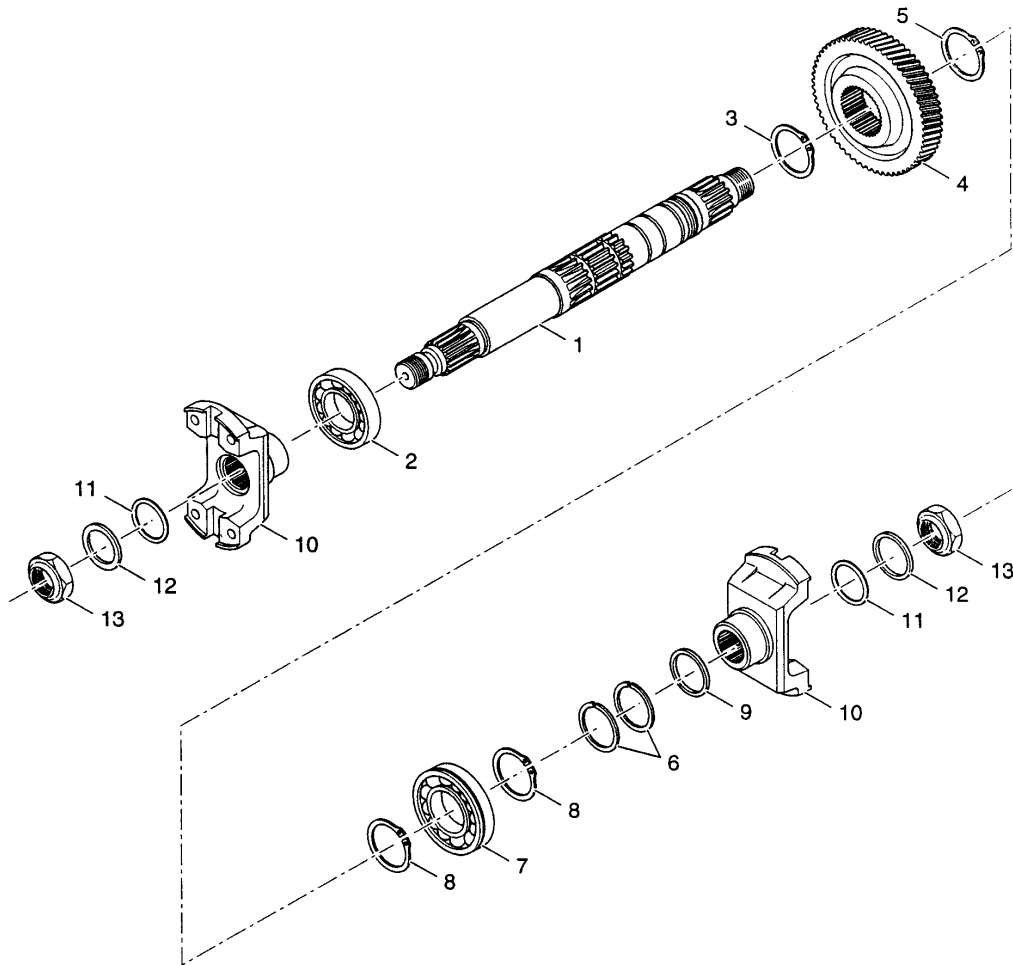
Input Shaft Group



Ref. No.	Part No.	Description	Qty. Req.	Ref. No.	Part No.	Description	Qty. Req.
01	L99741	INPUT SHAFT	1	07	L99730	SHAFT PISTON RING	1
02	L99742	F/L GEAR SNAP RING	1	08	L98266	F/H GEAR SNAP RING	1
03	L99743	FWD/LOW GEAR (26T)	1	09	L99744	FWD/HIGH GEAR (62T)	1
04	L98266	GEAR SNAP RING	1	10	L99740	INPUT SHAFT REAR BRG.	1
05	L99696	BEARING SNAP RING	1	11	L99730	SHAFT PISTON RING	1
06	Note a	SHAFT FRONT BEARING	1				

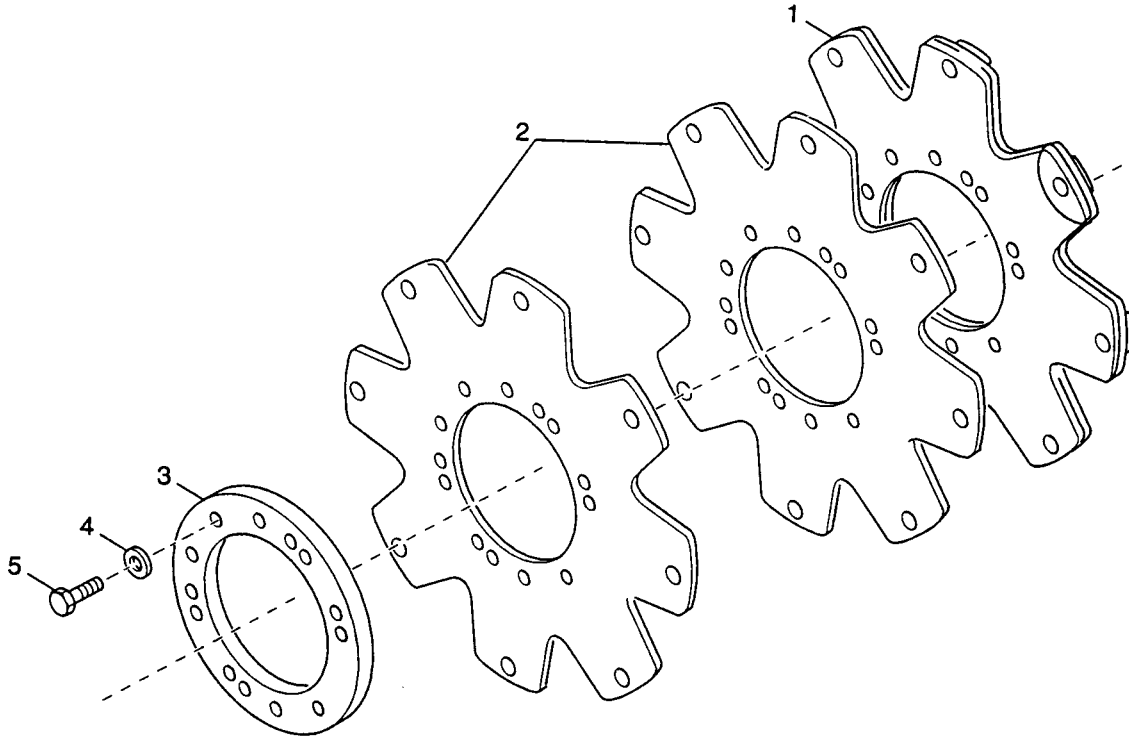
a S/N 65142 and prior use P/N L99740
S/N 65143 and up use P/N L500600

Output Shaft Group



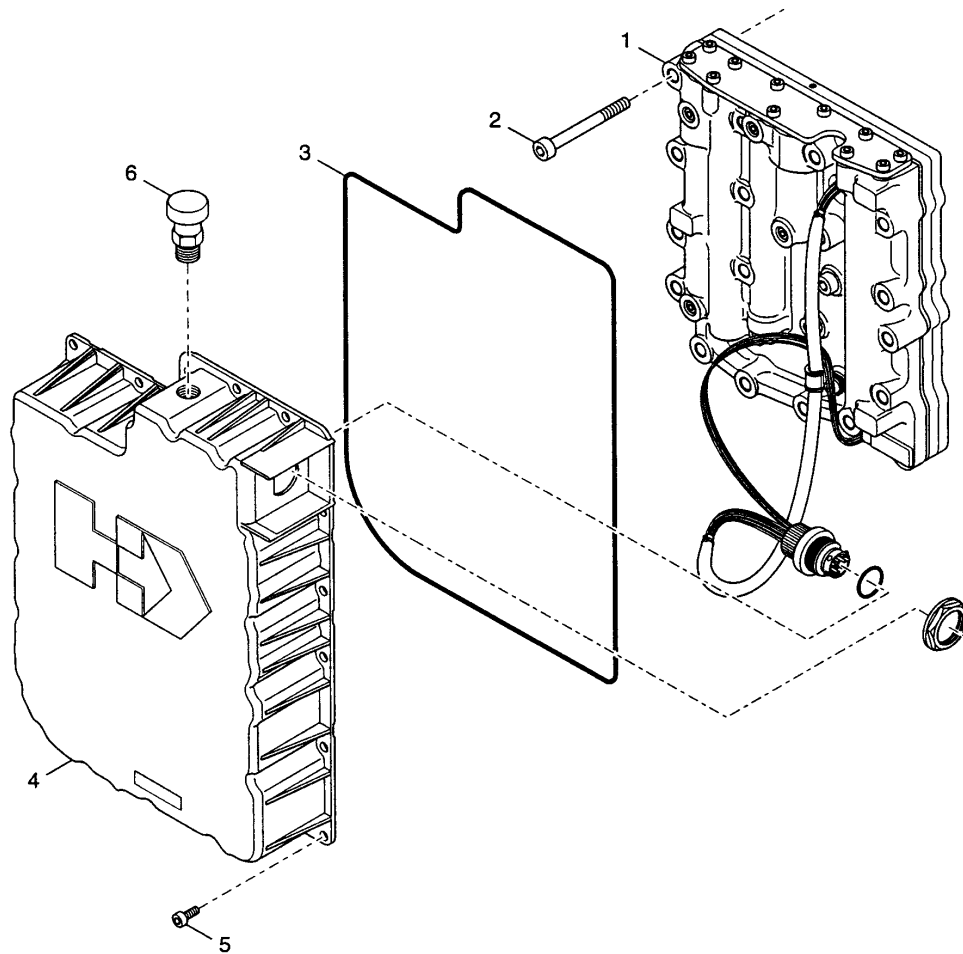
Ref. No.	Part No.	Description	Qty. Req.	Ref. No.	Part No.	Description	Qty. Req.
01	L99754	OUTPUT SHAFT ASY.	1	08	L99759	SNAP RING.....	1
02	L99755	SHAFT FRONT BEARING	1	09	L99760	OUTPUT FLANGE SPACER.....	1
03	L99756	SNAP RING.....	1	10	L99761	OUTPUT FLANGE.....	2
04	L99757	OUTPUT SHAFT GEAR	1	11	L99762	FLANGE O-RING	2
05	L99756	SNAP RING	1	12	L99752	FLANGE WASHER.....	2
06	L99758	SHAFT PISTON RING	2	13	L99753	FLANGE NUT	2
07	L99763	SHAFT REAR BEARING.....	1				

Drive Plate Group



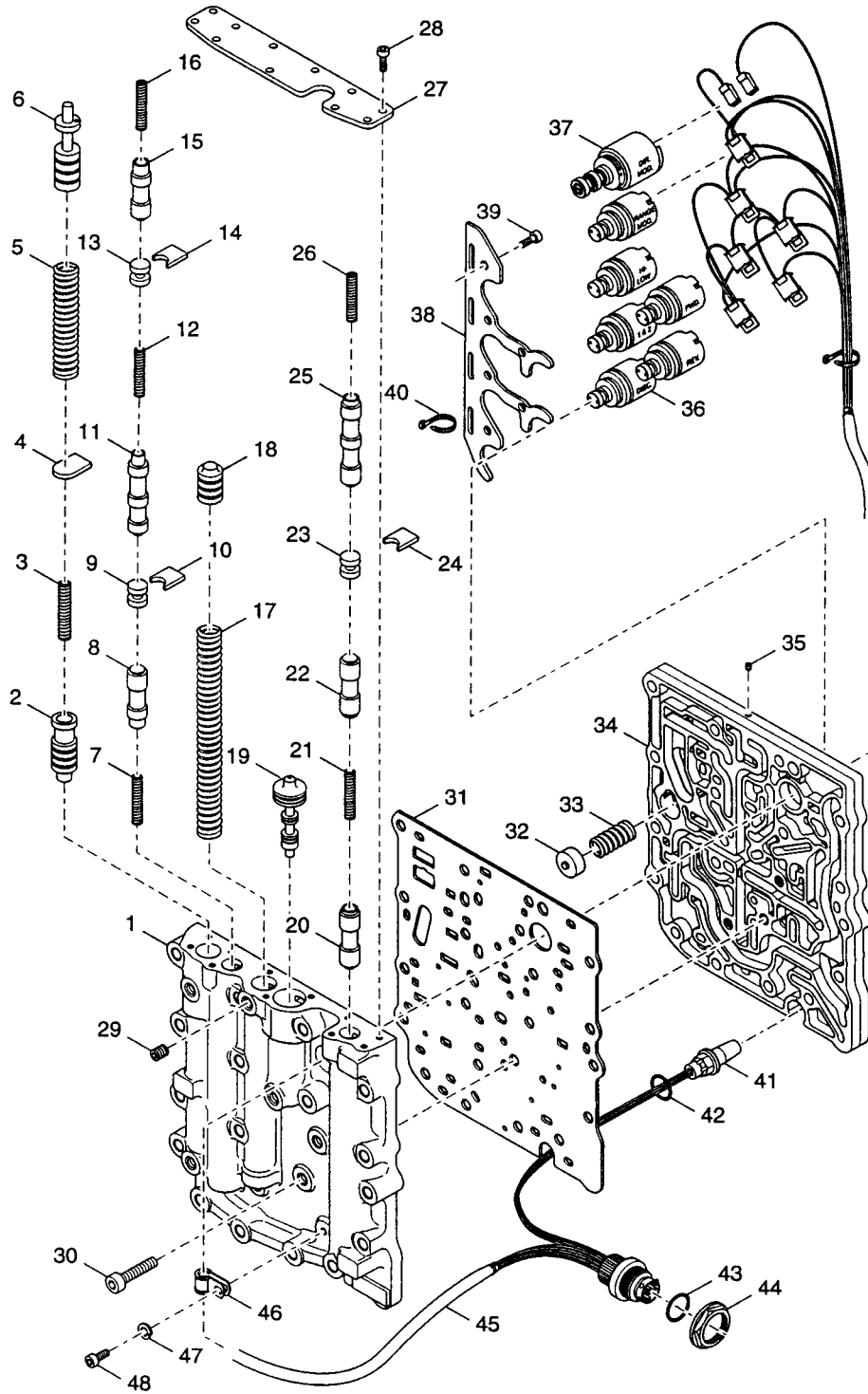
Ref. No.	Part No.	Description	Qty. Req.	Ref. No.	Part No.	Description	Qty. Req.
01	L99784	DRIVE PLATE ASY.....	1	03	L97516	PLATE BACKING RING	1
		(Includes items 2-5)		04	L99030	SCREW LOCKWASHER.....	6
02	NSS	DRIVE PLATE (Incls. Item 1)	2	05	L99785	MOUNTING SCREW.....	6

Control Valve Mounting Group



Ref. No.	Part No.	Description	Qty. Req.	Ref. No.	Part No.	Description	Qty. Req.
01	L99764	CONTROL VALVE ASY.	1	04	L99767	PROTECTION COVER ASY.	1
02	L99765	VALVE MOUNTING SCREW	2			(Includes item 6)	
03	L99766	PROTECTION COVER SEAL	1	05	L99768	COVER SCREW	20
				06	L94824	AIR BREATHER	1
						(Part of item 4)	

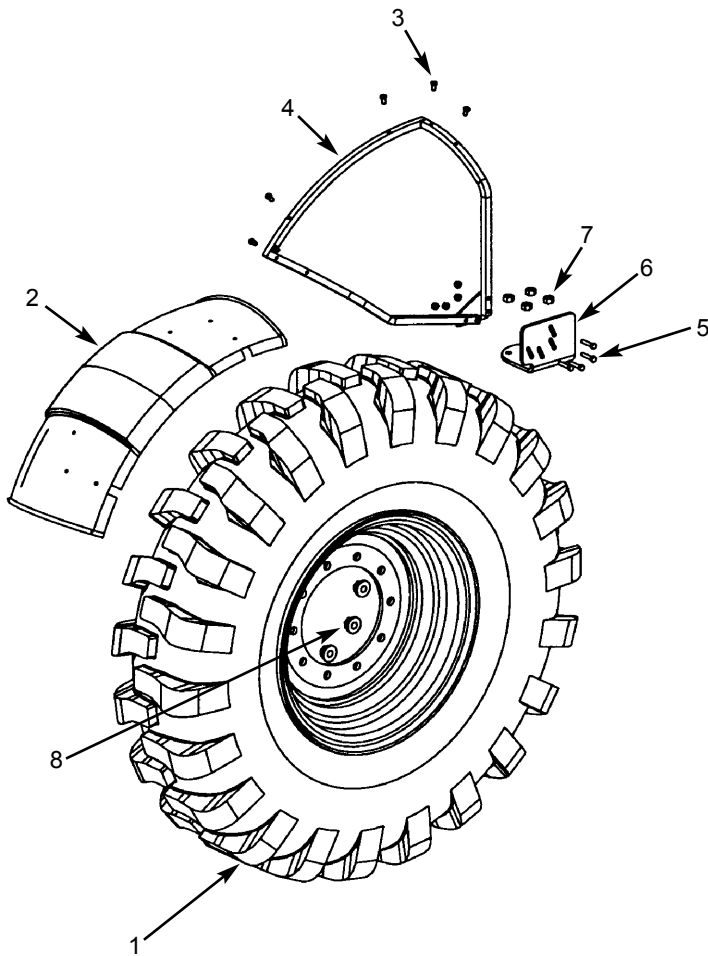
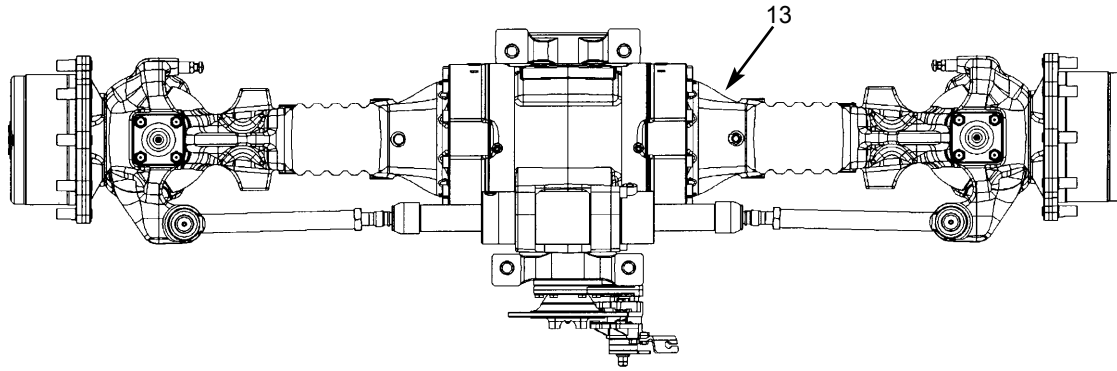
Control Valve Assembly Group



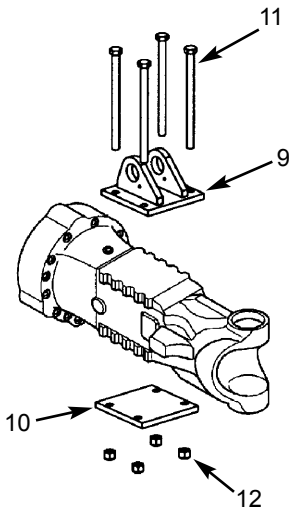
Control Valve Assembly Group

Ref. No.	Part No.	Description	Qty. Req.	Ref. No.	Part No.	Description	Qty. Req.
-	L99764	CONTL. VALVE ASY.	1	25	NSS	FWD LO/FWD HI SPOOL.....	1
01	NSS	SPOOL BODY	1	26	NSS	PILOT SPOOL SPRING	1
02	NSS	PRESS. REDUCER SPOOL.....	1	27	NSS	SPOOL COVER.....	1
03	NSS	REDUCER SPRING	1	28	L99769	COVER SCREW	11
04	NSS	SEPARATER PLATE	1	29	L99770	CHECK PORT PLUGS	2
05	NSS	PRESS. REG. SPRING.....	1	30	L99771	SOL. PLATE SCREW	3
06	NSS	PRESS. REG. SPOOL.....	1	31	NSS	SPACER PLATE	1
07	NSS	PILOT SPOOL SPRING	1	32	L99772	BYPASS VALVE SPOOL.....	1
08	NSS	DISCONNECT SPOOL.....	1	33	L99773	VALVE SPRING.....	1
09	NSS	SPOOL STOP	1	34	NSS	SOLENOID PLATE	1
10	NSS	SEPARATER PLATE	1	35	L99774	PLUG.....	6
11	NSS	1ST/2ND SPOOL	1	36	L99775	SOLENOID	6
12	NSS	PILOT SPOOL SPRING	1	37	L99776	ELEC. CONTL. MODUL. VALVE... 1	
13	NSS	SPOOL STOP	1	38	NSS	SOLENOID CLAMP.....	1
14	NSS	SEPARATER PLATE	1	39	L99769	CLAMP SCREW	6
15	NSS	RANGE MODULATION SPOOL ... 1					
16	NSS	PILOT SPOOL SPRING	1	40	L99834	WIRING STRAP	6
17	NSS	ACCUMULATOR SPRING	1	41	NSS	SPEED SENSOR	1
18	NSS	ACCUMULATOR SPOOL	1	42	L99778	SENSOR O-RING	1
19	NSS	BOOSTER SPOOL	1	43	L99779	JAM NUT O-RING.....	1
20	NSS	REVERSE SPOOL	1	44	NSS	JAM NUT.....	1
21	NSS	PILOT SPOOL SPRING	1	45	L99780	HARNES & SPEED SENSOR ASY. (Includes.items 41-44).....	1
22	NSS	FORWARD SPOOL.....	1	46	L99781	WIRING CLAMP	1
23	NSS	SPOOL STOP	1	47	L99782	SCREW LOCKWASHER.....	1
24	NSS	SEPARATER PLATE	1	48	L99769	CLAMP SCREW	1

External Components Group
(S/N 65167 and Up)



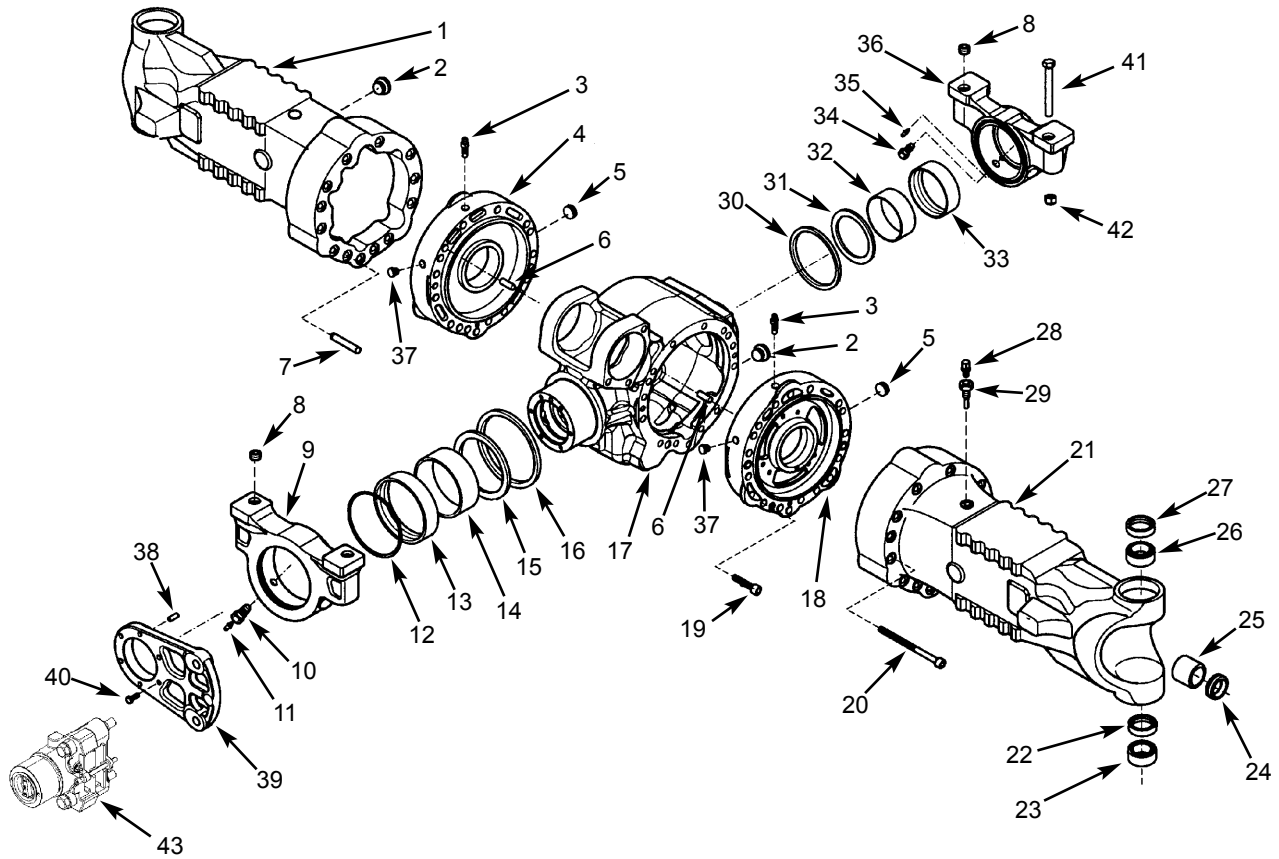
**Driveshafts are located
in transmission section.**



External Components Group
(S/N 65167 and Up)

Ref. No.	Part No.	Description	Qty. Req.	Ref. No.	Part No.	Description	Qty. Req.
NOTE: All quantities are per axle.				03	L50253	3/8-16X3/4" BUTTON HD BOLT . . .	12
01		13.00X24 TIRE SET		04		FENDER MOUNT (<i>fender</i>)	
	L47270	TIRE/13.00X24TG 12PLY	1		100003	(<i>Right Front / Left Rear</i>)	2
	L69114	WHEEL/24 X 9.00 GR	1		100008	(<i>Left Front / Right Rear</i>)	2
		13.00X24 TIRE SET (<i>Rock</i>)		05	L50836	3/8-16X1-3/4" BOLT	8
	L71758	TIRE, 13.00X24 12PLY ROCK	1	06		FENDER MOUNT (<i>axle</i>)	2
	L69114	WHEEL/24 X 9.00 GR	1		100260	(<i>Right Front / Left Rear</i>)	2
		13.00X24 TIRE SET (<i>Foam Filled</i>)			100259	(<i>Left Front / Right Rear</i>)	2
	L47270	TIRE/13.00X24TG 12PLY	1	07	656052	M16-2.00 NUT	8
	L69114	WHEEL/24 X 9.00 GR	1	08	L69734	M22X1.5 WHEEL NUT	20
	L70643	FOAM FILLED TIRE AND RIM.	1	09	100252	LEVEL/STABILZER MOUNT.	1
		AG LUG		10	100255	LEVEL/STABILZER PLATE.	1
	L71730	TIRE/17.5X24TG 12PLY	1	11	L50684	3/4-10X11 BOLT	4
	L71639	W15LXx24 WHEEL RIM.	1	12	L50084	3/4-10 NUT	4
				13		AXLE	
					100330	FRONT	1
					100332	REAR.	1
02	L99951	FENDER	4				

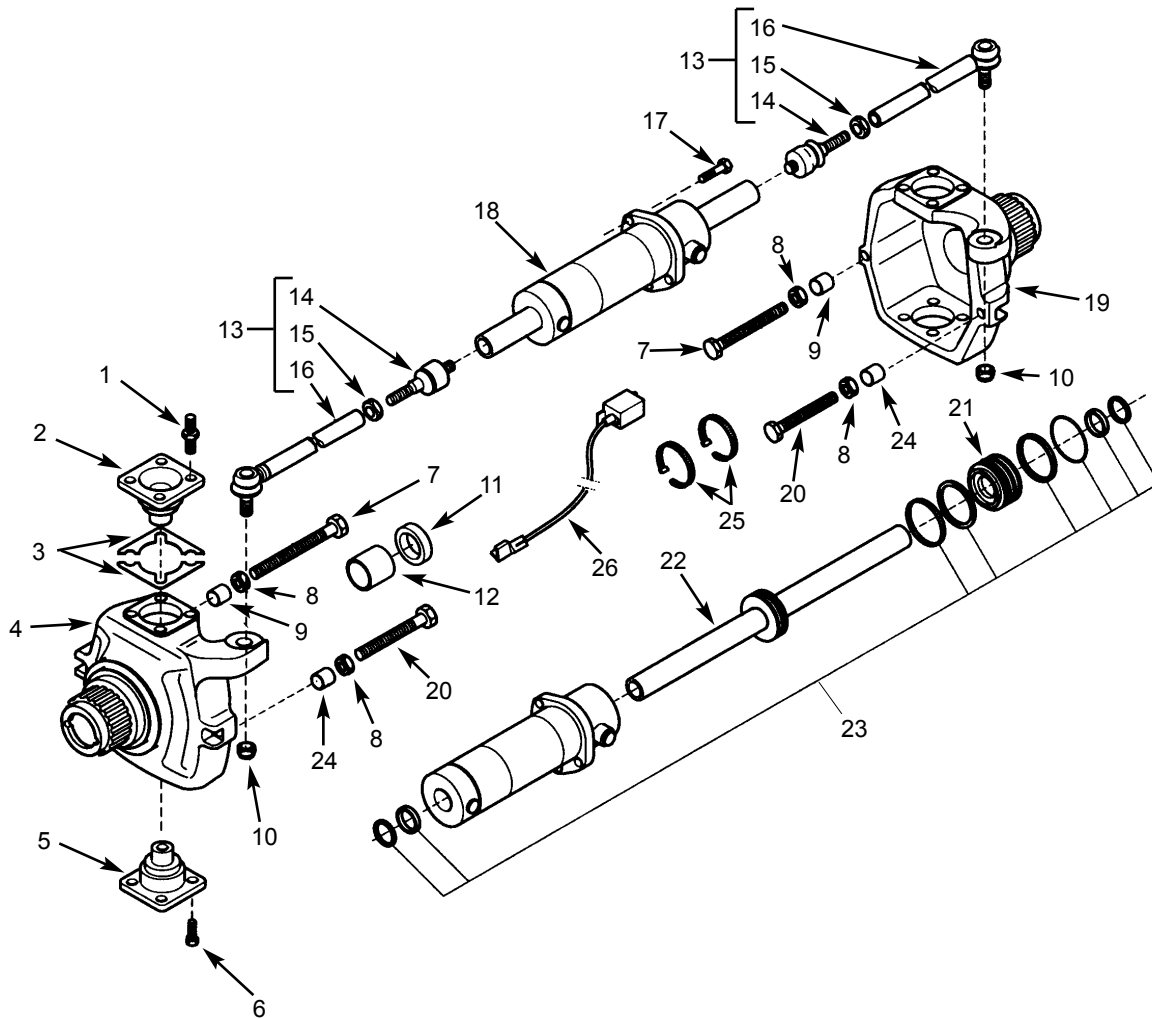
Axle Housing
(S/N 65167 and Up)



Axle Housing (S/N 65167 and Up)

Ref. No.	Part No.	Description	Qty. Req.	Ref. No.	Part No.	Description	Qty. Req.
NOTE: All quantities are per axle.				22	L500804	SEAL RING	2
01	L500787	LEG HOUSING	1	23	L500805	BEARING	2
		<i>(Left Front Axle, Right Rear Axle)</i>		24	L500618	SEAL RING	2
02	L99615	PLUG M30x2	2	25	L99511	BUSHING	2
03	L99488	BREATHER M10x1	2	26	L500806	BEARING	2
04	102324	BRAKE CYLINDER	1	27	L500807	SEAL RING	2
		<i>(Left Front Axle, Right Rear Axle)</i>		28	L99478	BREATHER M10x1	1
05	L500789	PLUG M24x1.5	2	29	L500808	BREATHER EXTENSION	1
06	L500790	PIN D16x40	4	30	L500809	SEAL RING	1
07	L500791	PIN	6	31	L500810	THRUST WASHER	1
08	L99466	BUSHING	4	32	L99471	BUSHING	1
09	L500792	SUPPORT	1	33	L500811	BUSHING	1
		<i>(Rear Front Axle, Front Rear Axle)</i>		34	L500812	BOLT	1
10	L500793	BOLT	1	35	L99469	ZERK/GREASE M8x1	1
11	L99514	ZERK/GREASE M6x1	1	36	L500813	SUPPORT	1
12	L500794	O-RING	1			<i>(Front Front Axle, Rear Rear Axle)</i>	
13	L500795	BUSHING	1	37	L500814	PLUG	2
14	L500796	BUSHING	1	38	L500815	PIN D10x25	1
15	L500797	THRUST WASHER	1			<i>(Front Axle Only)</i>	
16	L500798	RING	1	39	L500816	BRAKE CALIPER SUPPORT	1
17	L500799	CENTRAL BODY	1			<i>(Front Axle Only)</i>	
18	102323	BRAKE CYLINDER	1	40	L500817	BOLT M10x35	6
		<i>(Right Front Axle, Left Rear Axle)</i>				<i>(Front Axle Only)</i>	
19	L500801	BOLT M16x65	4	41	651599	M20-2.50X150 BOLT	4
20	L500802	BOLT M16x160	26	42	L50201	NUT, M20-2.5	4
21	L500803	LEG HOUSING	1	43	101308	BRAKE CALIPER ASY	1
		<i>(Right Front Axle, Left Rear Axle)</i>				<i>(Front Axle Only)</i>	
						<i>(See Hyd. Component Breakdown for more parts)</i>	

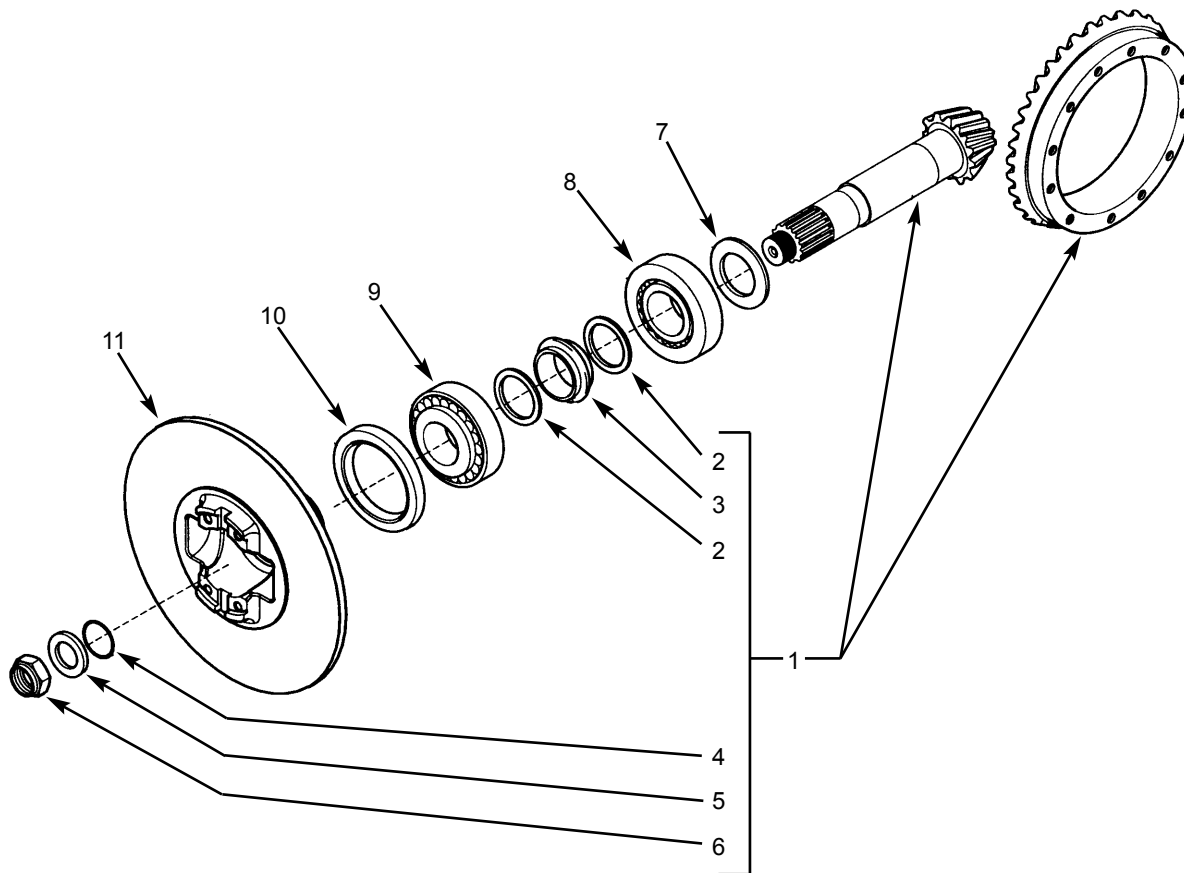
Swivel Housing and Steer Cylinder
(S/N 65167 and Up)



**Swivel Housing and Steer Cylinder
(S/N 65167 and Up)**

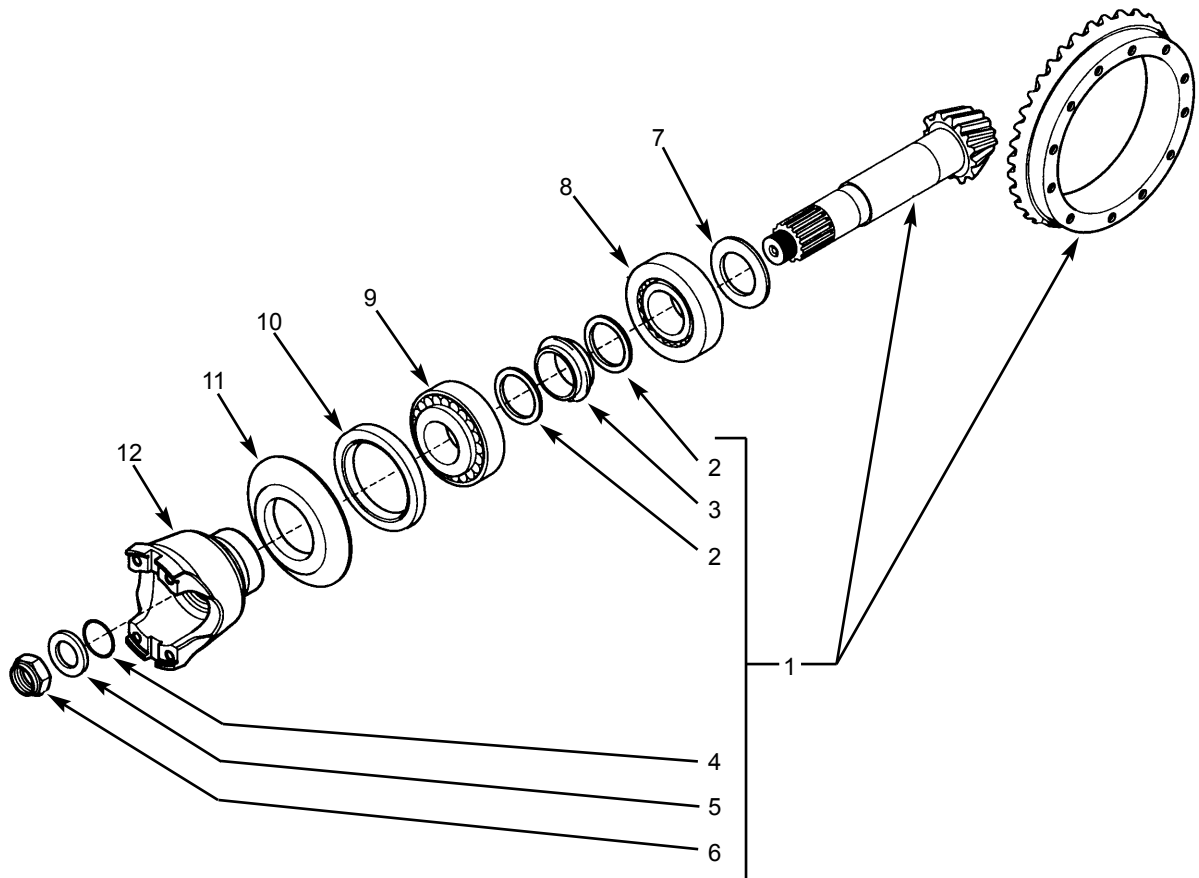
Ref. No.	Part No.	Description	Qty. Req.	Ref. No.	Part No.	Description	Qty. Req.
NOTE: All quantities are per axle.				16	L500831	TIE ROD	2
01	L500818	SPECIAL BOLT M16x38	8	17	L500832	BOLT M16x45	3
02	L500819	UPPER KIN PIN	2	18		STEERING CYLINDER	1
03	L500820	COTTER PIN D5x50	2		L500833	Front Axle	
04	L500821	SWIVEL HOUSING	1		L500905	Rear Axle	
		<i>(Left Front Axle, Right Rear Axle)</i>		19	L500834	SWIVEL HOUSING	1
05	L500822	LOWER KING PIN.	2			<i>(Right Front Axle, Left Rear Axle)</i>	
06	L99513	BOLT M16x38	8	20	L500267	BOLT M16x100	2
07	L500823	BOLT M16x130	2	21	L99506	CYLINDER HEAD	1
08	L500266	NUT M16	4	22	L500835	ROD	1
09	L500824	BUSHING	2	23		SEAL KIT	1
10	L500825	NUT M27x1.5	2		L500836	Front Axle	
11	L500826	SEAL RING	2		L500906	Rear Axle	
12	L500827	BUSHING	2	24	L500837	BUSHING	2
13	L500828	STEERING ARM ASY	2	25	L99561	CLAMP <i>(Rear Axle Only)</i>	2
14	L500829	BALL JOINT	2	26	L99610	SENSOR <i>(Rear Axle Only)</i>	1
15	L500830	NUT M28x1.5	2				

Gear and Pinion Set
(S/N 65167 and Up)



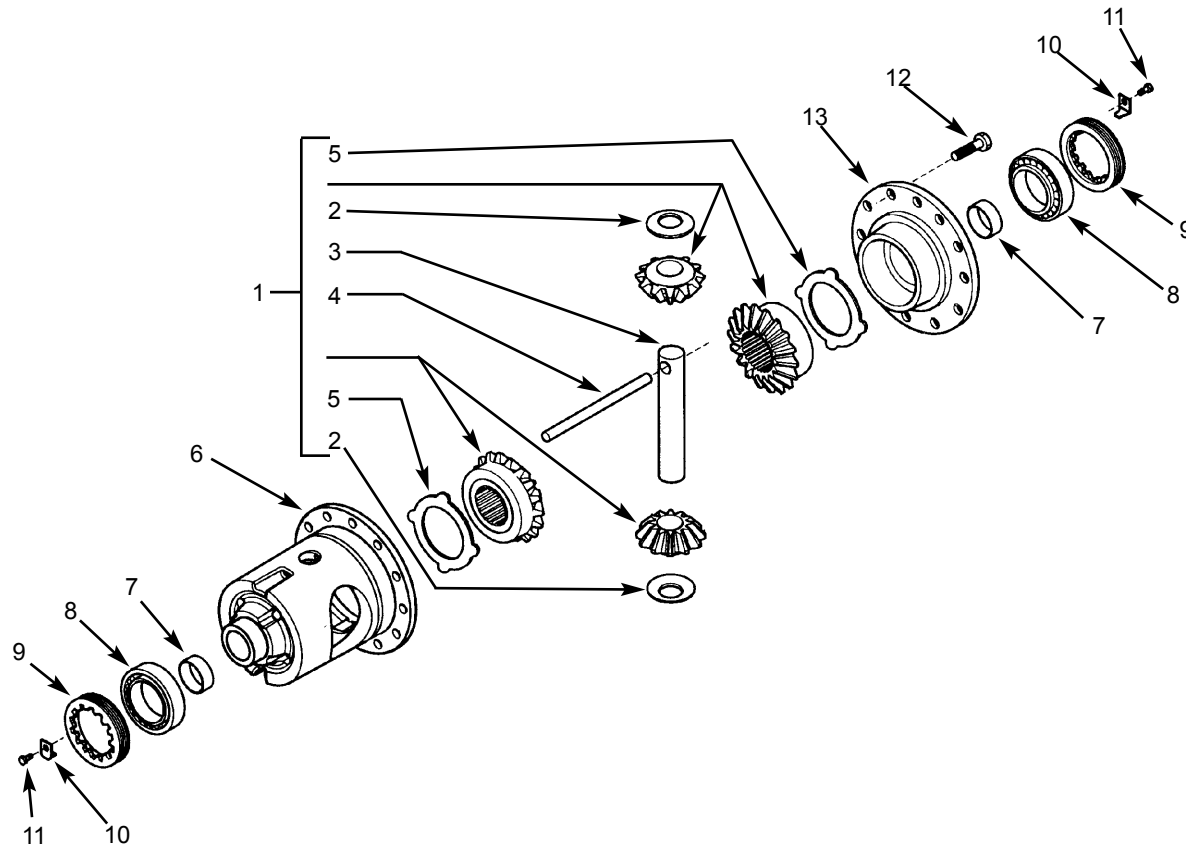
Ref. No.	Part No.	Description	Qty. Req.	Ref. No.	Part No.	Description	Qty. Req.
01	L500838	BEVEL GEAR / PINION Z10/36 . . .	1		L500848	SHIM 2.9mm.	AR
02	L500839	WASHER.	2		L500849	SHIM 3.0mm.	AR
03	L500840	COLLAPSIBLE SPACER.	1		L500850	SHIM 3.1mm.	AR
04	L500841	O-RING	1		L500851	SHIM 3.2mm.	AR
05	L500842	WASHER.	1		L500852	SHIM 3.3mm.	AR
06	L500843	NUT M30x2	1		L500853	SHIM 3.4mm.	AR
07	L500844	SHIM 2.5mm.	AR	08	L500854	BEARING.	1
	L500845	SHIM 2.6mm.	AR	09	L500855	BEARING.	1
	L500846	SHIM 2.7mm.	AR	10	L500856	SEAL RING	1
	L500847	SHIM 2.8mm.	AR	11	L500857	FLANGE	1

Gear and Pinion Set
(S/N 65167 and Up)



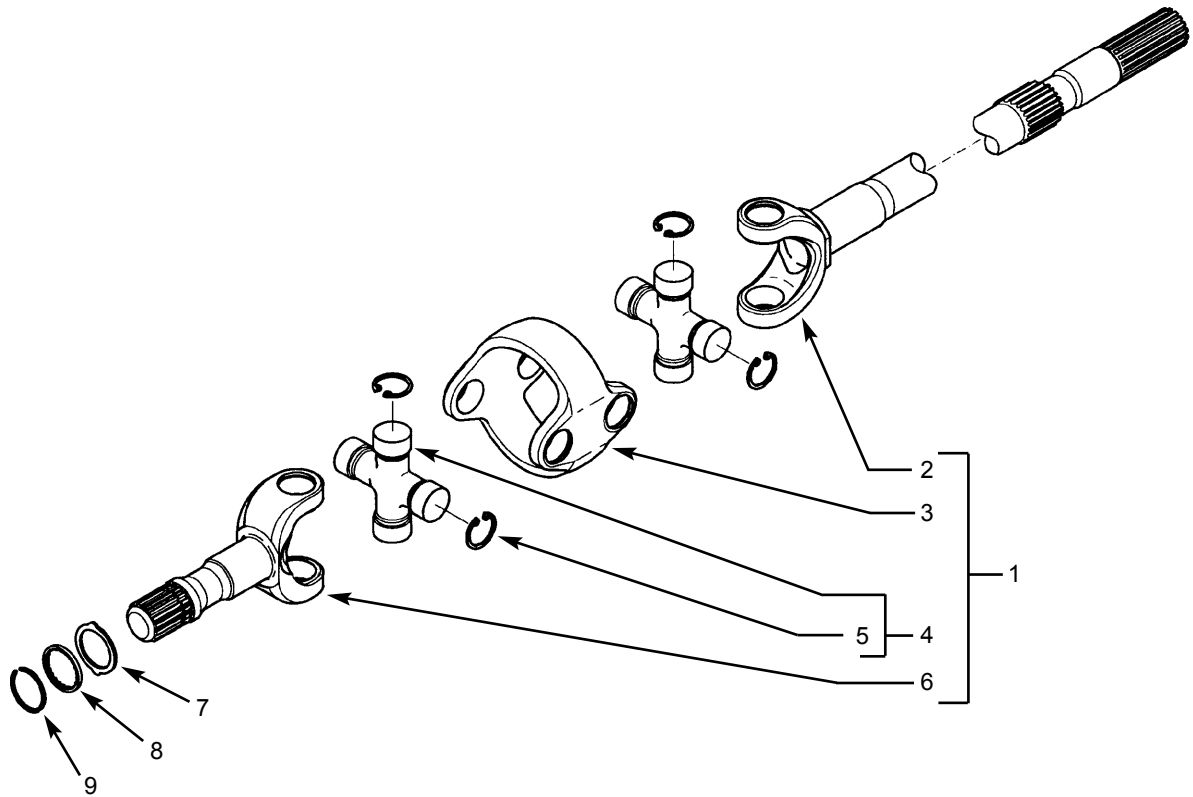
Ref. No.	Part No.	Description	Qty. Req.	Ref. No.	Part No.	Description	Qty. Req.
01	L500907	BEVEL GEAR / PINION Z10/36 . . .	1		L500848	SHIM 2.9mm.	AR
02	L500839	WASHER.	2		L500849	SHIM 3.0mm.	AR
03	L500840	COLLAPSIBLE SPACER.	1		L500850	SHIM 3.1mm.	AR
04	L500841	O-RING	1		L500851	SHIM 3.2mm.	AR
05	L500842	WASHER.	1		L500852	SHIM 3.3mm.	AR
06	L500843	NUT M30x2	1		L500853	SHIM 3.4mm.	AR
07	L500844	SHIM 2.5mm.	AR	08	L500854	BEARING.	1
	L500845	SHIM 2.6mm.	AR	09	L500855	BEARING.	1
	L500846	SHIM 2.7mm	AR	10	L500856	SEAL RING	1
	L500847	SHIM 2.8mm.	AR	11	L500908	PROTECTING COVER	1
				12	L500909	FLANGE	1

Differential
(S/N 65167 and Up)



Ref. No.	Part No.	Description	Qty. Req.	Ref. No.	Part No.	Description	Qty. Req.
NOTE: All quantities are per axle.				07	L500864	BUSH.....	2
01	L500858	DIFFERENTIAL KIT.....	1	08	L500865	BEARING.....	2
02	L500859	THRUST WASHER.....	2	09	L500866	RING NUT.....	2
03	L500860	PIN.....	1	10	L500867	LOCKING PLATE.....	2
04	L500861	PIN D7x124.....	1	11	L99547	BOLT M6x10.....	2
05	L500862	COUNTER DISC.....	2	12	L500868	BOLT.....	12
06	L500863	DIFFERENTIAL HOUSING.....	1	13	L500869	DIFF. HOUSING COVER.....	1

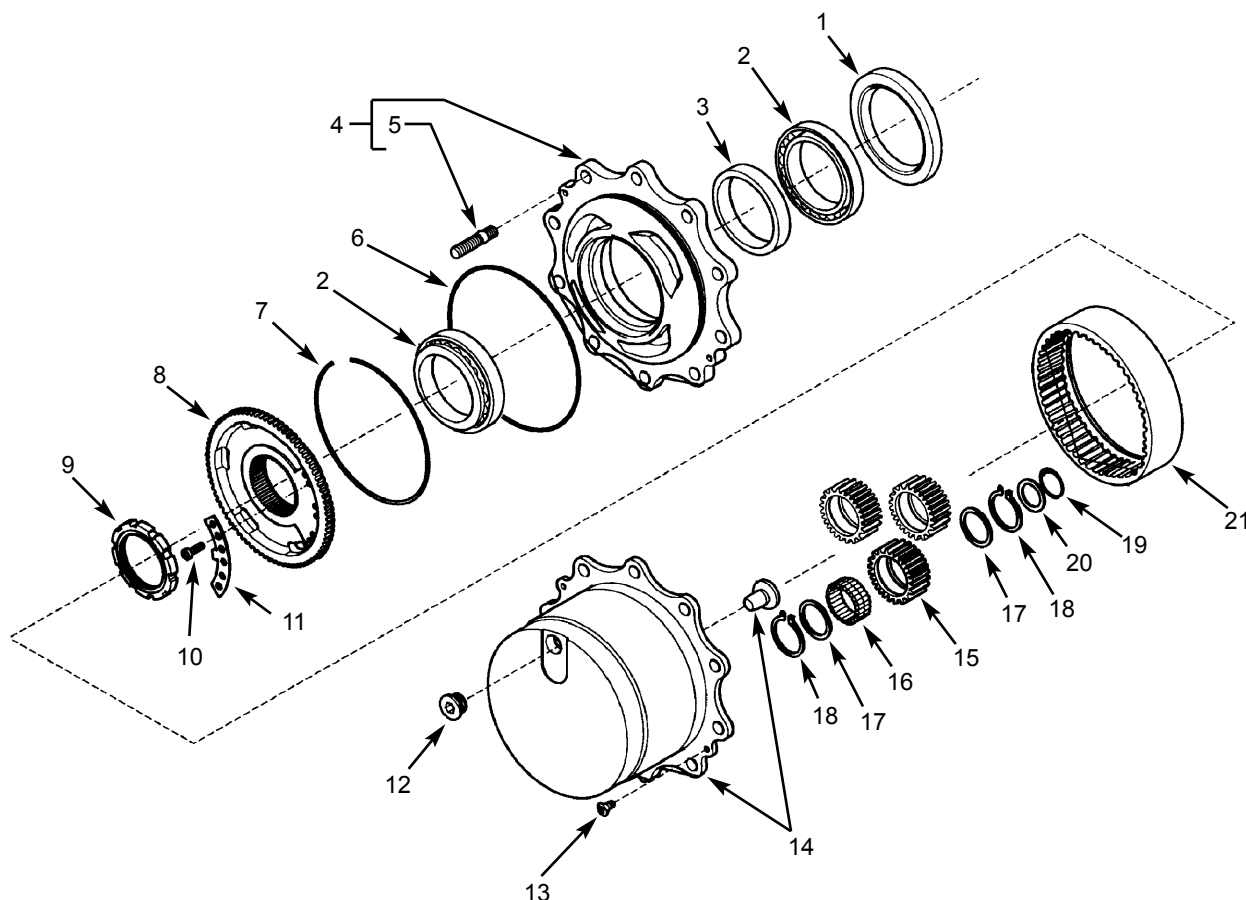
Double U-Joint
(S/N 65167 and Up)



Ref. No.	Part No.	Description	Qty. Req.	Ref. No.	Part No.	Description	Qty. Req.
NOTE: All quantities are per axle.				05	L500874	LOCK RING.....	16
01	L500870	DOUBLE JOINT	2	06	L500875	FORK (Wheel Side).....	2
02	L500871	FORK (Diff. Side).....	2	07	L500876	THRUST WASHER.....	2
03	L500872	CENTRAL BODY.....	2	08	L500877	WASHER.....	2
04	L500873	SPIDER.....	4	09	L500878	LOCK RING.....	2

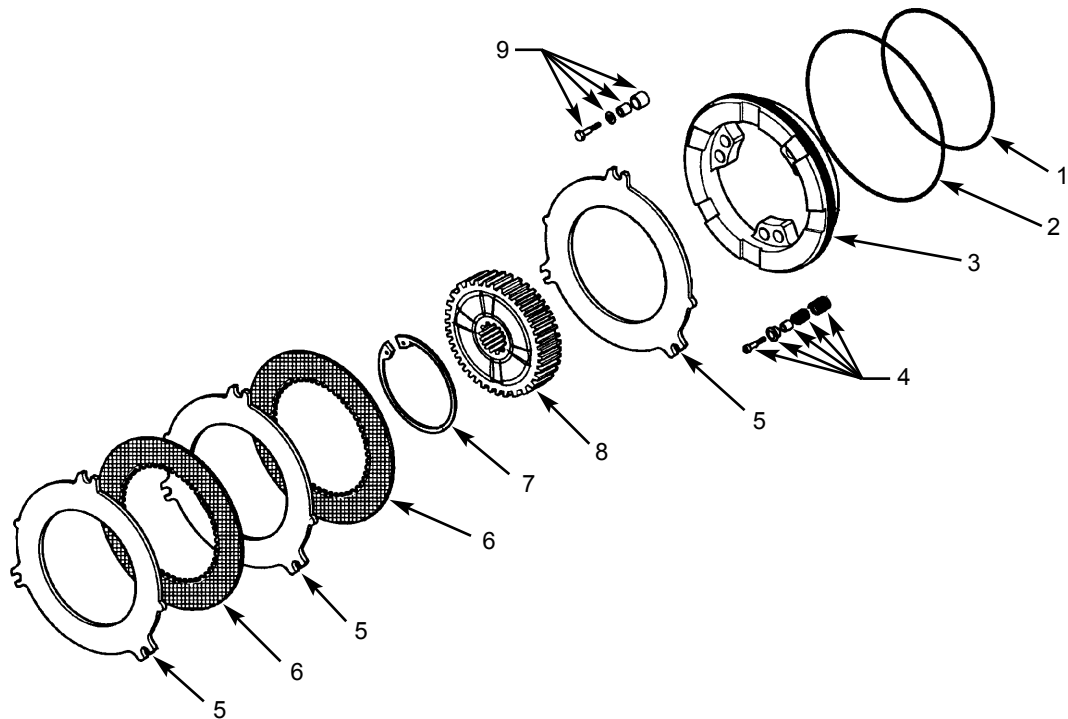
Wheel Hub and Final Reduction

(S/N 65167 and Up)



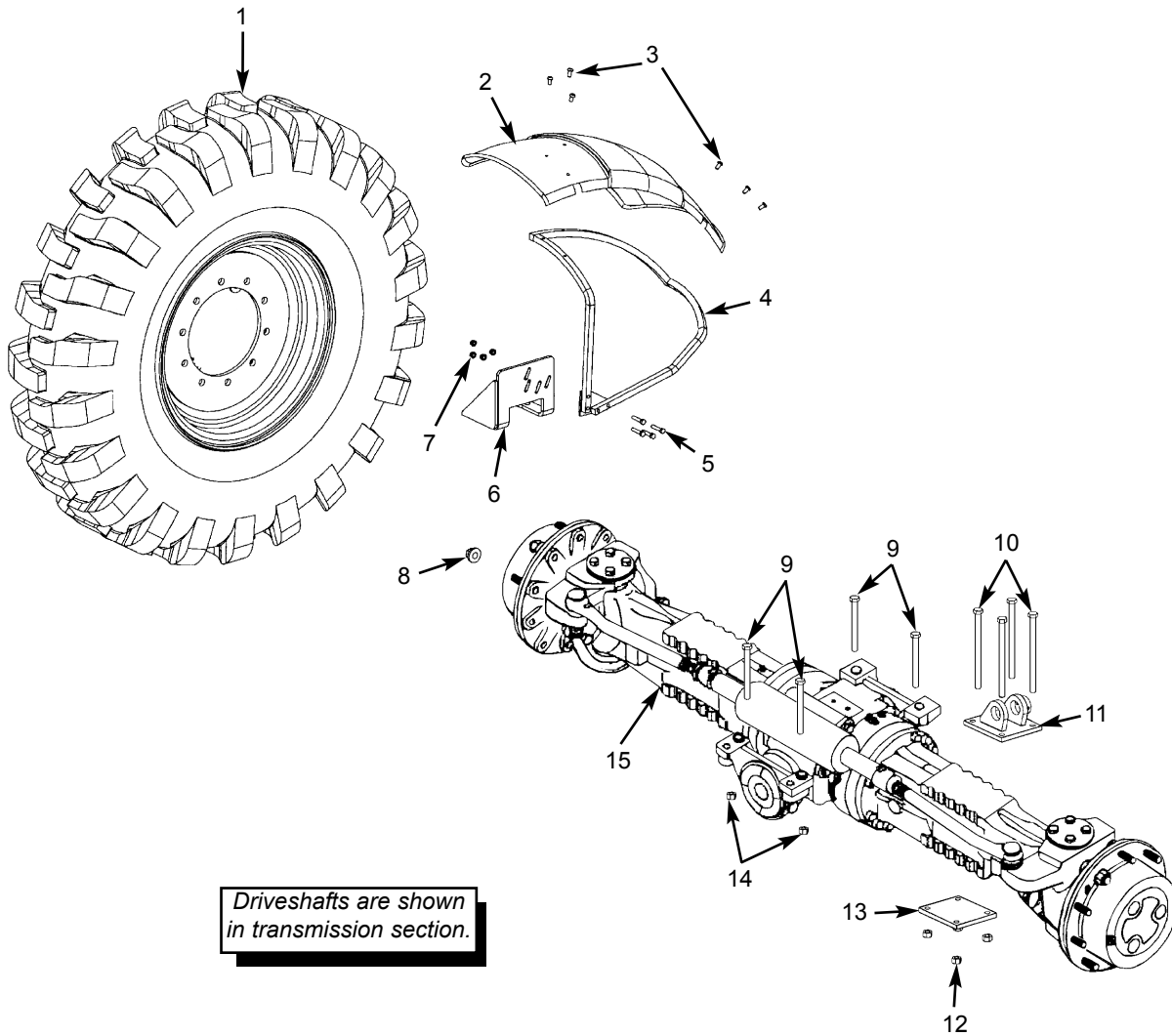
Ref. No.	Part No.	Description	Qty. Req.	Ref. No.	Part No.	Description	Qty. Req.
NOTE: All quantities are per axle.							
01	L500786	SEAL RING	2	11	L500896	LOCKING PLATE	2
02	L500889	BEARING	4	12	L99615	PLUG M30x2	2
03	L500890	SPACER	2	13	L97616	BOLT	4
04	L500891	WHEEL HUB KIT	2	14	L500897	PLANETARY CARRIER ASY	2
05	L99584	STUD	20	15	L500898	GEAR Z=31	6
06	L99586	O-RING	2	16	L500899	BEARING	6
07	L500892	LOCK RING	2	17	L500900	THRUST WASHER	12
08	L500893	WHEEL CARRIER	2	18	L500901	SNAP RING D72	12
09	L500894	RING NUT M90x2	2	19	L500902	SNAP RING D50	6
10	L500895	BOLT M10x12	6	20	L500903	THRUST WASHER	6
				21	L500904	CROWN GEAR Z=81	2

Brakes
(S/N 65167 and Up)



Ref. No.	Part No.	Description	Qty. Req.	Ref. No.	Part No.	Description	Qty. Req.
NOTE: All quantities are per axle.				05	L500883	BRAKE COUNTER DISK	6
01	L500879	O-RING	2	06	L500884	BRAKE DISC	4
02	L500880	O-RING	2	07	L500885	SNAP RING D150	2
03	L500881	BRAKE PISTON	2	08	L500886	HUB	2
04	L500882	SELF-ADJUST KIT	2	09	L500887	SELF-ADJUST KIT	2

External Components Group
(Thru S/N 65166)



**External Components Group
(Thru S/N 65166)**

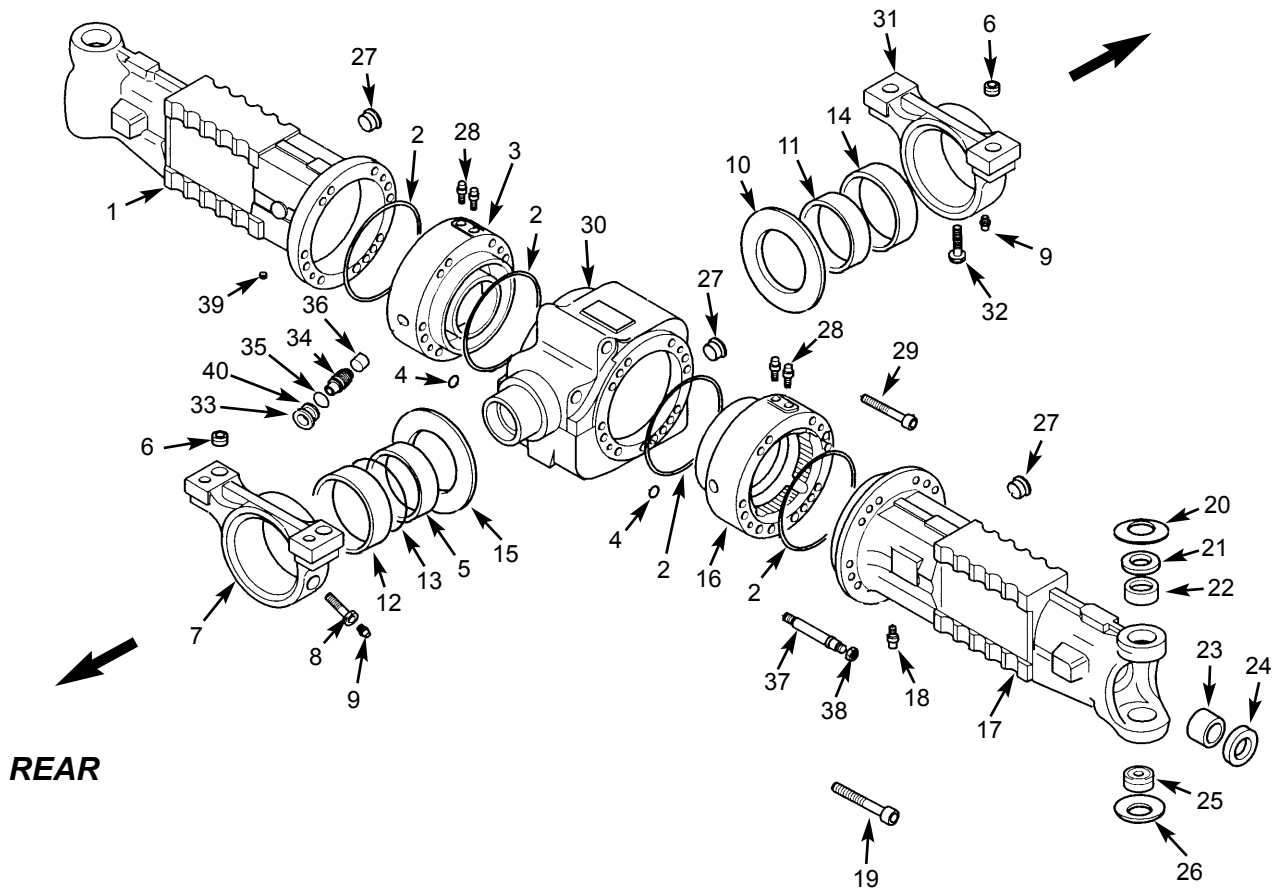
Ref. No.	Part No.	Description	Qty. Req.	Ref. No.	Part No.	Description	Qty. Req.
01		13.00X24 TIRE SET			100007	FENDER MOUNT LF / RR	2
	L47270	TIRE, 13.00X24TG 12 PLY	1	07	L50061	3/8-16 FLARE NUT	16
	L69114	24.00X9 WHEEL RIM	1	08	L69734	M22X1.5 WHEEL NUT	40
		17.5X24 TIRE SET	4	09	L50200	M20-2.5X110 MM BOLT	8
	L71730	TIRE, 17.5X24TG AG LUG	1	10	L50684	3/4-10x11" GR8 BOLT	4
	L71639	W15LX24 WHEEL RIM	1	11	L69275	LEVEL/STABILZER MOUNT	1
02	L99951	FENDER	4	12	L50084	3/4-10 NUT	4
03	L50253	3/8-16X3/4" BUTTON HD BOLT	24	13	L69382	MOUNT PLATE	1
04	100003	FENDER MOUNT RF/LR	2	14	L50201	M20-2.5 CLASS 10 NUT	8
	100008	FENDER MOUNT LF/RR	2	15 ^a	L69011	REAR AXLE	1
05	L50836	3/8-16X1-3/4" BOLT	16		L71568	FRONT AXLE (LIMITED SLIP)	1
06	100006	FENDER MOUNT RF / LR	2		L71269	FRONT AXLE (DIFF. LOCK)	1

a Units equipped with a differential lock axle have a decal on the shifter and a functional differential lock button at the end of the F-N-R/1-2-3-4 shifter.

**Limited Slip
Housing
(Thru S/N 65166)**

LEFT

FRONT

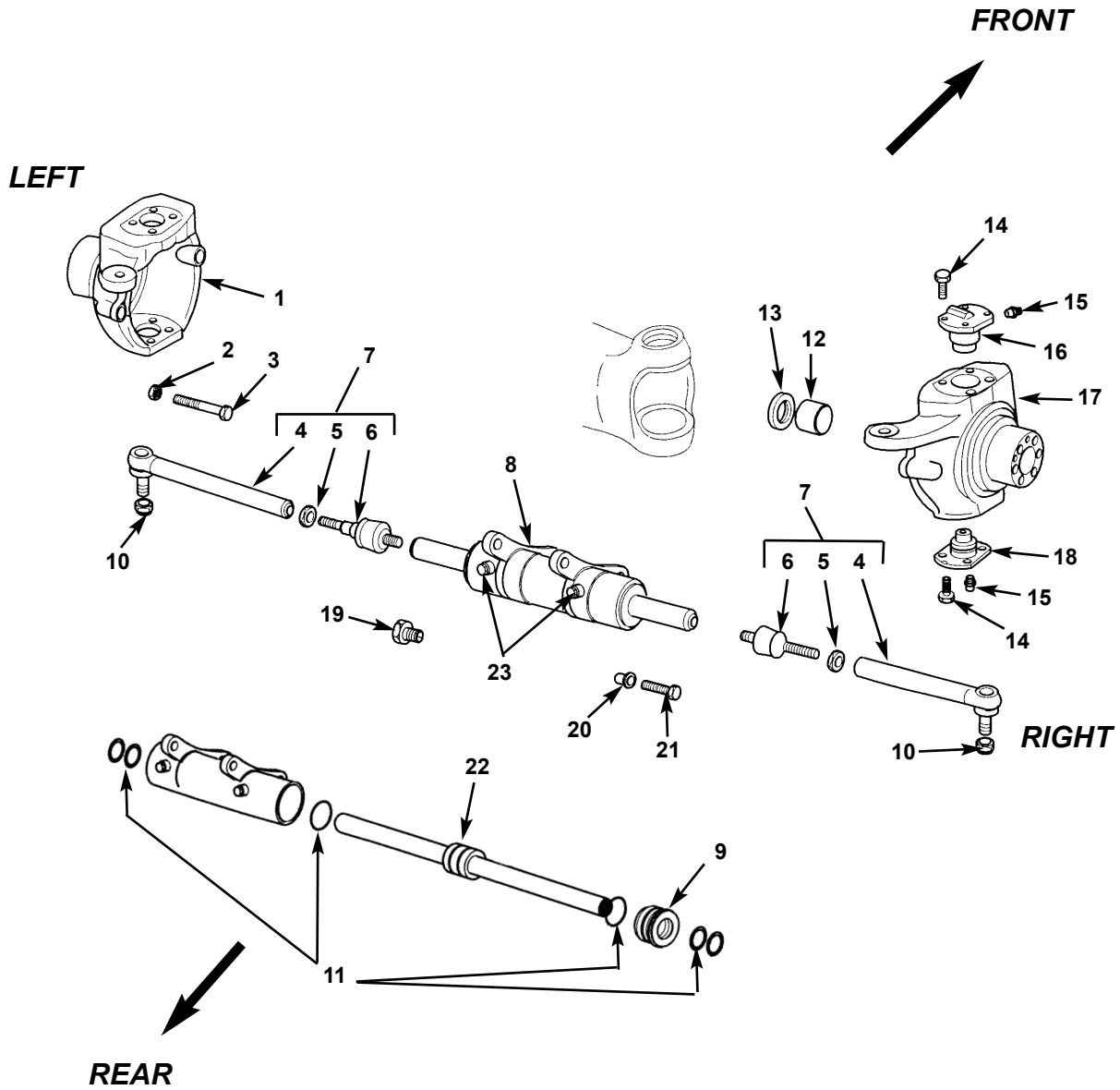


RIGHT

**Limited Slip
Housing
(Thru S/N 65166)**

Ref. No.	Part No.	Description	Qty. Req.	Ref. No.	Part No.	Description	Qty. Req.
01	L500376	BEAM TRUMPET	1	21	L99481	SHIM	2
02	L99462	O-RING	4	22	L99482	BUSHING	2
03	L500377	BRAKE FLANGE LH	1	23	L99483	BUSHING	2
04	L99464	O-RING	2	24	L99484	OIL SEAL	2
05	L99471	BUSHING	1	25	L99485	SHPERICAL BEARING	2
06	L99466	BUSHING	4	26	L99486	BELLEVILLE WASHER	2
07	L99467	REAR SUPPORT	1	27	L99615	OIL PLUG M30X2	3
08	L99468	BOLT	1	28	L99488	BREATHER, M10X1	4
09	L99469	GREASE ZERK	2	29	L99489	BOLT M12X110	4
10	L99475	THRUST WASHER	1	30	L500397	CENTRAL BODY	1
11	L99474	BUSHING	1	31	L99491	FRONT SUPPORT	1
12	L99472	BUSHING	1	32	L500380	BOLT	1
13	L99473	O-RING	1	33	L500381	SCREW M22X1.5	6
14	L99465	BUSHING	1	34	L99494	BOLT M16X1,5	6
15	L99470	THRUST WASHER	1	35	L99456	O-RING	6
16	L500378	BRAKE FLANGE RH	1	36	L500382	PIN	6
17	L500376	BEAM TRUMPET RH	1	37	L500383	BOLT	2
18	L99478	BREATHER M10X1	1	38	L500384	NUT M16X2	2
19	L99479	BOLT	24	39	L500385	PLUG M10X1	1
20	L99480	BELLEVILLE WASHER	2	40	L99457	WASHER	6

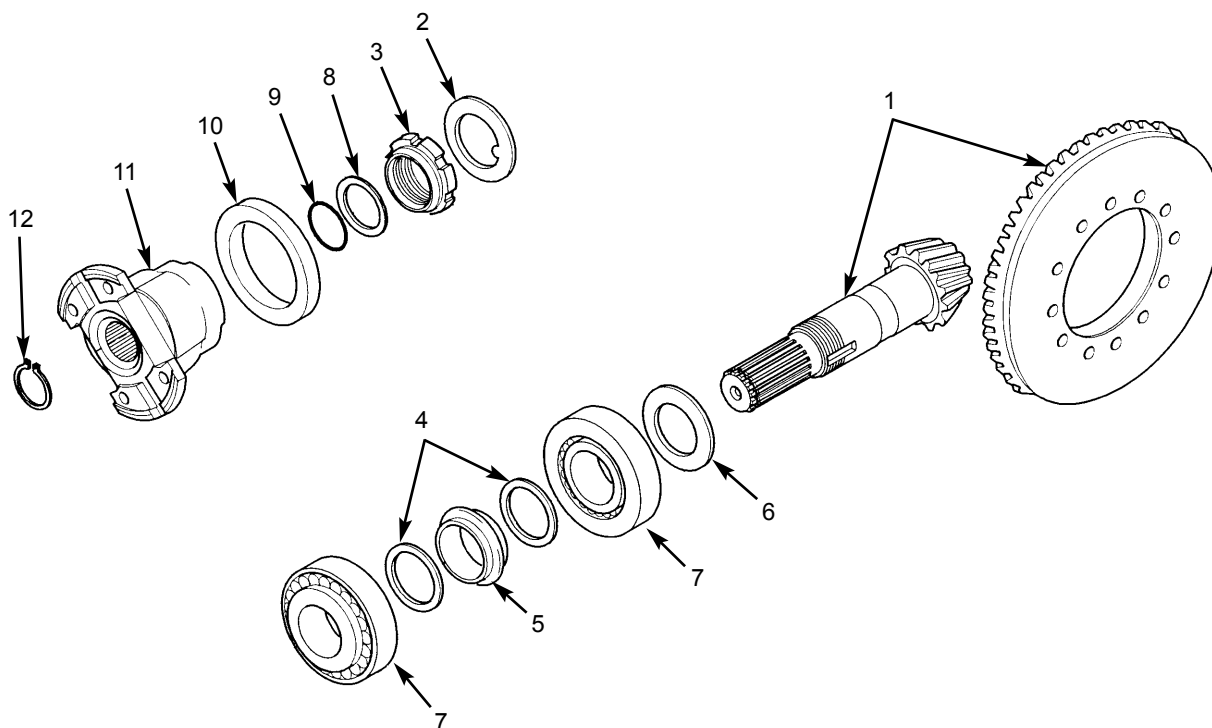
**Limited Slip
Swivel Housing and Steer Cylinder
(Thru S/N 65166)**



**Limited Slip
Swivel Housing and Steer Cylinder
(Thru S/N 65166)**

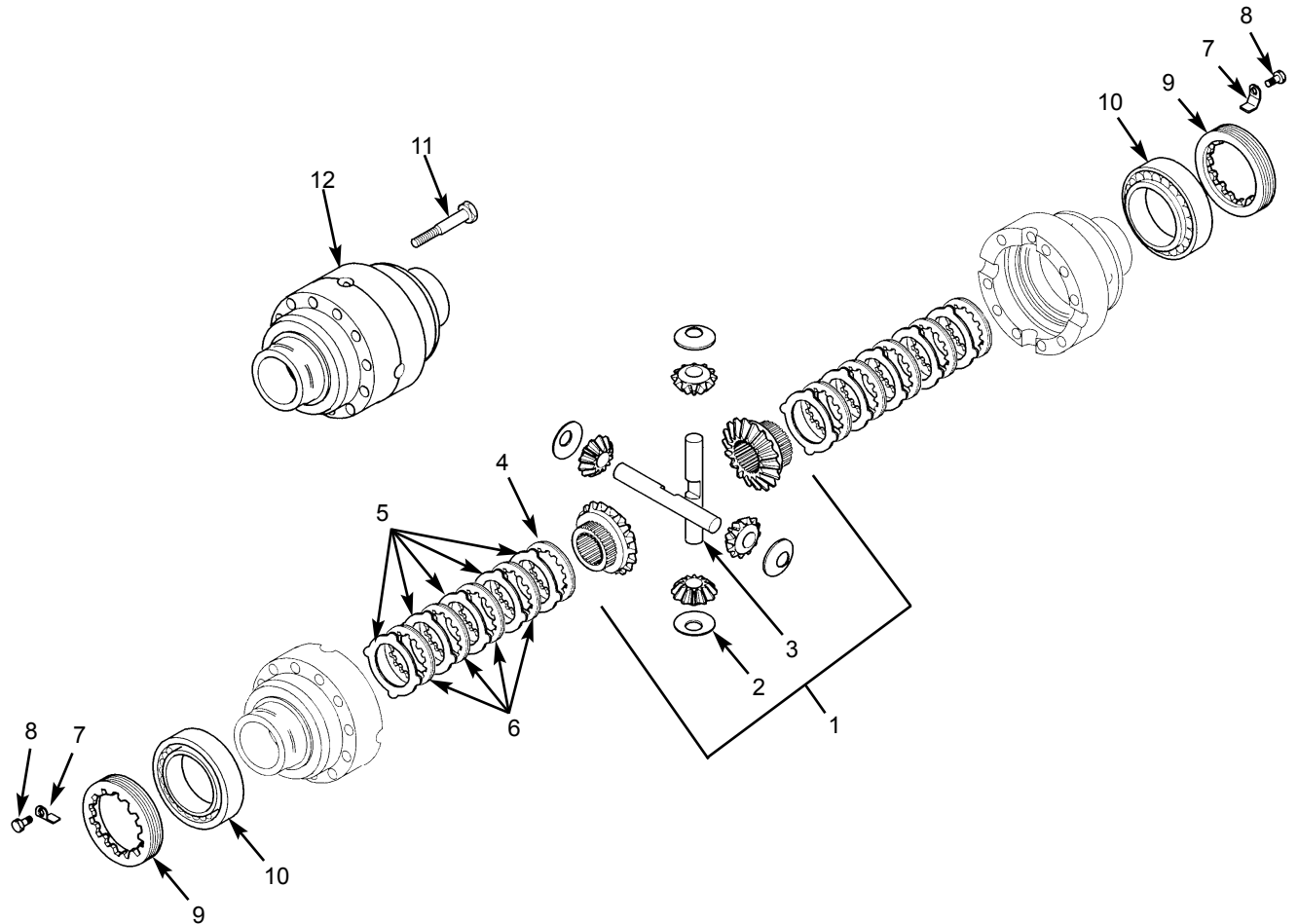
Ref. No.	Part No.	Description	Qty. Req.	Ref. No.	Part No.	Description	Qty. Req.
01	L99497	SWIVEL HOUSING LH.....	1	13	L99512	OIL SEAL 48X65X11.....	2
02	L500266	NUT, M16.....	4	14	L99513	BOLT, M16X2X38.....	16
03	L500267	BOLT, M16X100.....	4	15	L99514	GREASE ZERK M6X1.....	4
04	L500280	TIE ROD.....	1*	16	L99515	KING PIN.....	2
05	L99501	NUT, M24X1.5.....	1*	17	L99516	SWIVEL HOUSING RH.....	1
06	L99502	BALL JOINT.....	1*	18	L99517	KING PIN.....	2
07	L99518	STEERING ARM ASY..... (Includes items 4-6)	1	19	L99519	BOLT, M22X55.....	2
08	L99504	STEERING CYLINDER.....	1	20	L99520	BUSHING.....	2
09	L99506	CYLINDER HEAD.....	2	21	L99593	BOLT, M1X65.....	2
10	L99507	NUT, M24X1.5.....	2	22	L99995	ROD.....	1
11	L500387	OIL SEAL KIT (<i>seals only</i>).....	1	23	L69576	ADAP M18X1.5ORM -8JICM STR .	2
12	L99511	BUSHING.....	2				
				*		<i>Quantity for one steering arm assembly</i>	

**Limited Slip
Gear and Pinion Set
(Thru S/N 65166)**



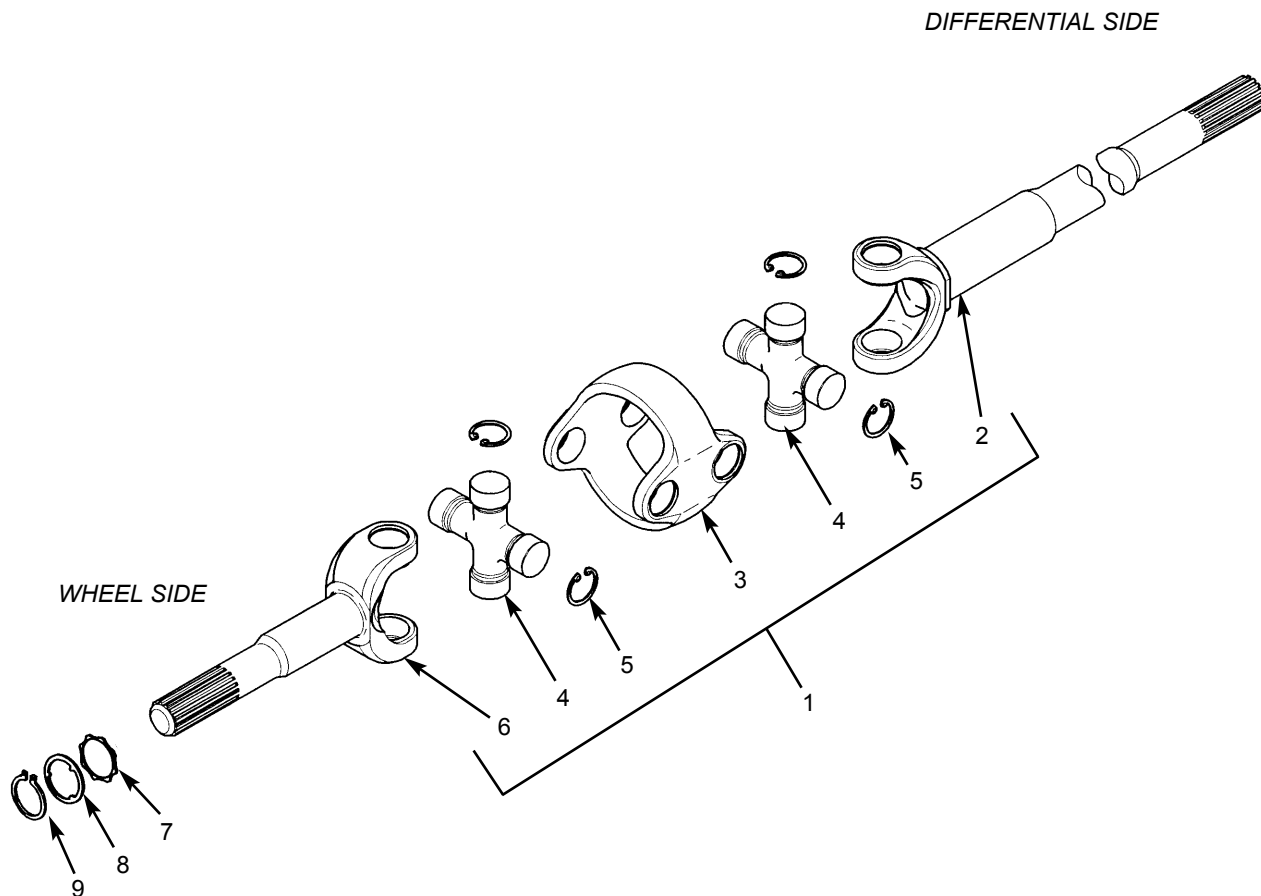
Ref. No.	Part No.	Description	Qty. Req.	Ref. No.	Part No.	Description	Qty. Req.
01	L99522	GEAR & PINION SET	1	07	L99538	BEARING.	2
		(Includes. Items 2-5)		08	L99539	WASHER.	1
02	L99523	LOCKWASHER.	1	09	L99540	O-RING	1
03	L99524	RING NUT, M40X1.5	1	10	L99541	OIL SEAL 65X92X14.	1
04	L99525	WASHER, 50X40X2	2	11	L99542	FLANGE	1
05	L99526	COLLAPSIBLE SPACER.	1	12	L99527	SNAP RING D.34	1
06	L99528	SHIM, 2.50MM	AR				
	L99529	SHIM, 2.60MM	AR				
	L99530	SHIM, 2.70MM	AR				
	L99531	SHIM, 2.80MM	AR				
	L99532	SHIM, 2.90MM	AR				
	L99533	SHIM, 3.00MM	AR				
	L99534	SHIM, 3.10MM	AR				
	L99535	SHIM, 3.20MM	AR				
	L99536	SHIM, 3.30MM	AR				
	L99537	SHIM, 3.40MM	AR				

**Limited Slip
Differential
(Thru S/N 65166)**



Ref. No.	Part No.	Description	Qty. Req.	Ref. No.	Part No.	Description	Qty. Req.
01	L500642	DIFFERENTIAL KIT..... 1 (Includes items 2 and 3)	1	07	L99548	LOCKING PLATE	2
02	L99544	THRUST WASHER	4	08	L99547	BOLT, M6X1X10	2
03	L99545	SHAFT.....	2	09	L99549	RING NUT.....	2
04	L500643	DIFF. COUNTER DISC	2	10	L99550	BEARING.....	2
05	L500644	DIFF. DISC	10	11	L99551	BOLT, M10X1.5X75.....	12
06	L500645	DIFF. DISC (W/TEETH).....	8	12	L99552	DIFFERENTIAL HOUSING.....	1

**Limited Slip
Double Joint Shaft
(Thru S/N 65166)**

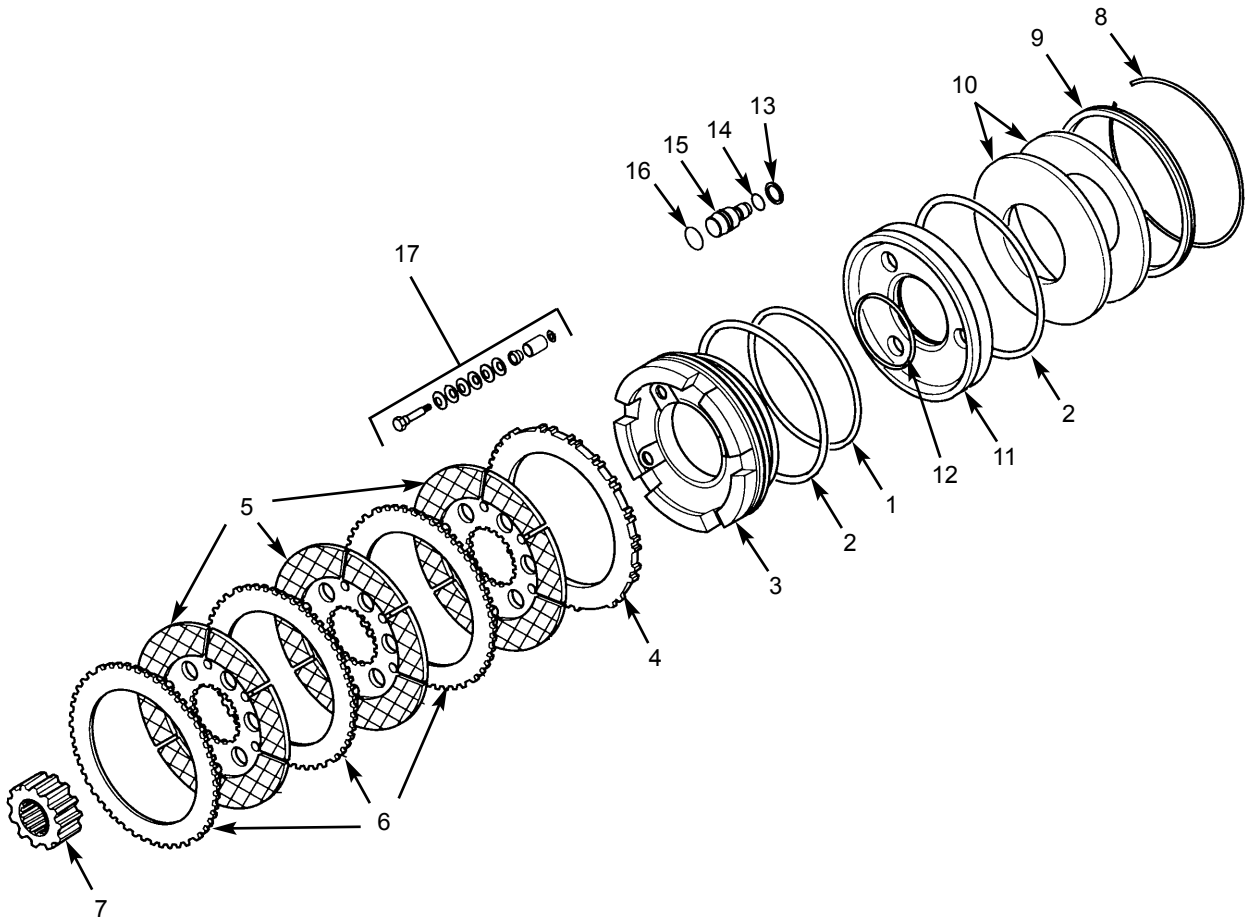


Ref. No.	Part No.	Description	Qty. Req.	Ref. No.	Part No.	Description	Qty. Req.
01	L99553	DOUBLE JOINT SHAFT	2	07 ^a	L500658	THRUST WASHER	2
		(Includes items 2-6)		08	L500388	WASHER 54.5X46.9X3	2
02	L99554	HALF SHAFT - DIFF. SIDE	1*	09	L99561	SNAP RING D.45	2
03	L99555	CENTRAL BODY	1*				
04	L99556	SPIDER	2*				
05	L99557	SNAP RING	8*				
06	L99558	HALF SHAFT - WHL. SIDE	1*				

a Some models used 2 washers per double joint shaft. These have been replaced by the 1 washer per double joint shaft shown.

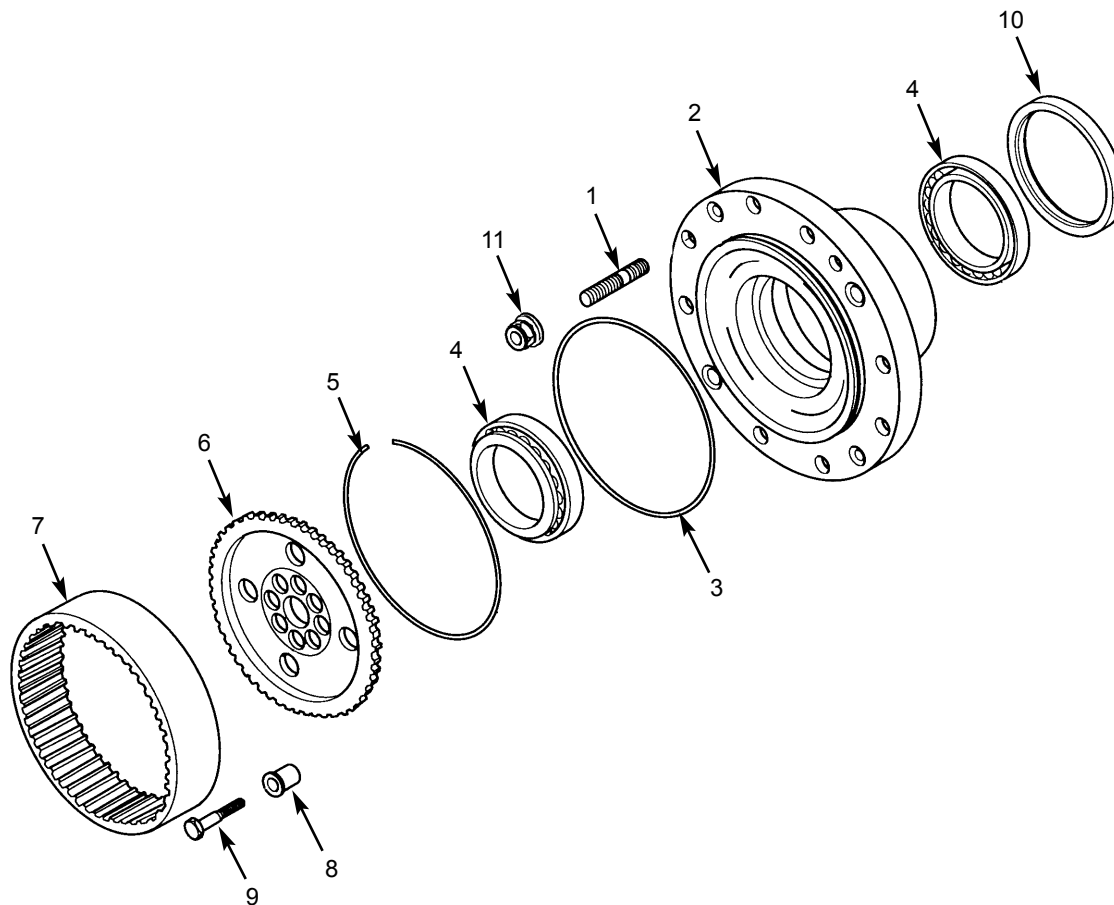
** Quantity for one double joint shaft.*

**Limited Slip
Brakes
(Thru S/N 65166)**



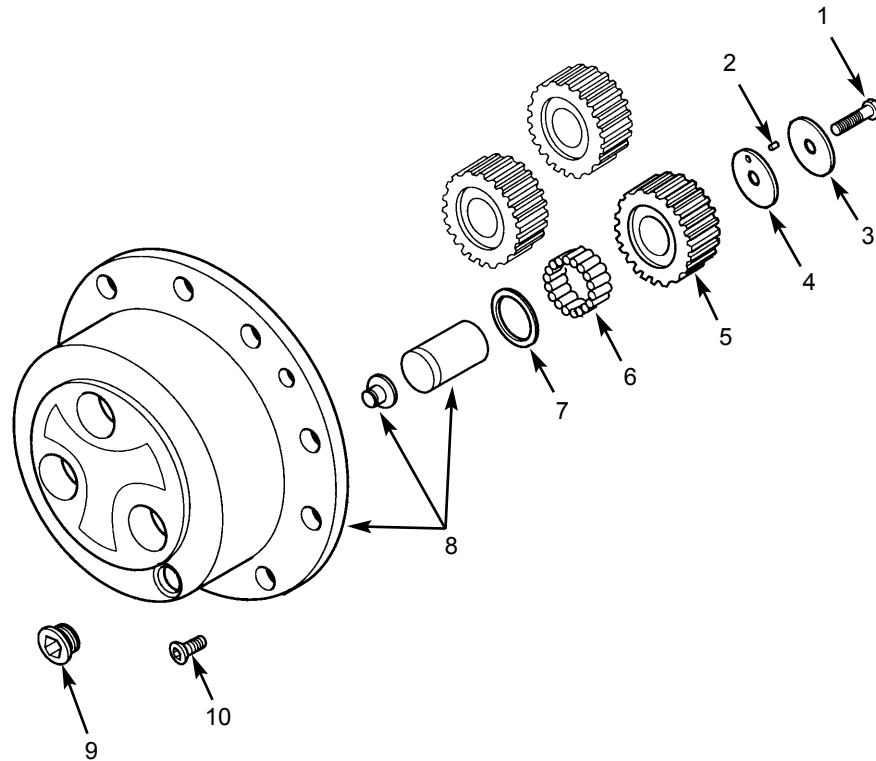
Ref. No.	Part No.	Description	Qty. Req.	Ref. No.	Part No.	Description	Qty. Req.
01	L500389	O RING	2	10	L99576	BELLEVILLE WASHER	4
02	L500390	O RING	4	11	L99577	BRAKE PISTON, NEG.	2
03	L99564	BRAKE PISTON, POS.	2	12	L500391	O RING	2
04	L99565	DRIVE PLATE	2	13	L99579	WASHER	6
05	L99566	BRAKE DISC	6	14	L500392	O-RING	6
06	L99567	DRIVE PLATE	6	15	L99581	SHAFT	6
07	L99568	SLEEVE	2	16	L500393	O-RING	6
08	L99574	RING	2	17	L99996	SELF ADJUST KIT	2
09	L99575	SLEEVE	2				

**Limited Slip
Wheel Hub
(Thru S/N 65166)**



Ref. No.	Part No.	Description	Qty. Req.	Ref. No.	Part No.	Description	Qty. Req.
01	L99584	STUD.....	20	07	L99590	CROWN GEAR Z=77.....	2
02	L99585	WHEEL HUB ASY.....	2	08	L99592	CENTERING BUSHING D20....	16
03	L99586	O-RING.....	2	09	L99593	BOLT, M14X1.5X65.....	16
04	L99587	BEARING.....	4	10	L99596	CASSETTE SEAL 150X176X16...	2
05	L99588	LOCK RING.....	2	11	L69734	LUG NUT.....	20
06	L500394	WHEEL CARRIER.....	2				

**Limited Slip
Planetary Drive
(Thru S/N 65166)**

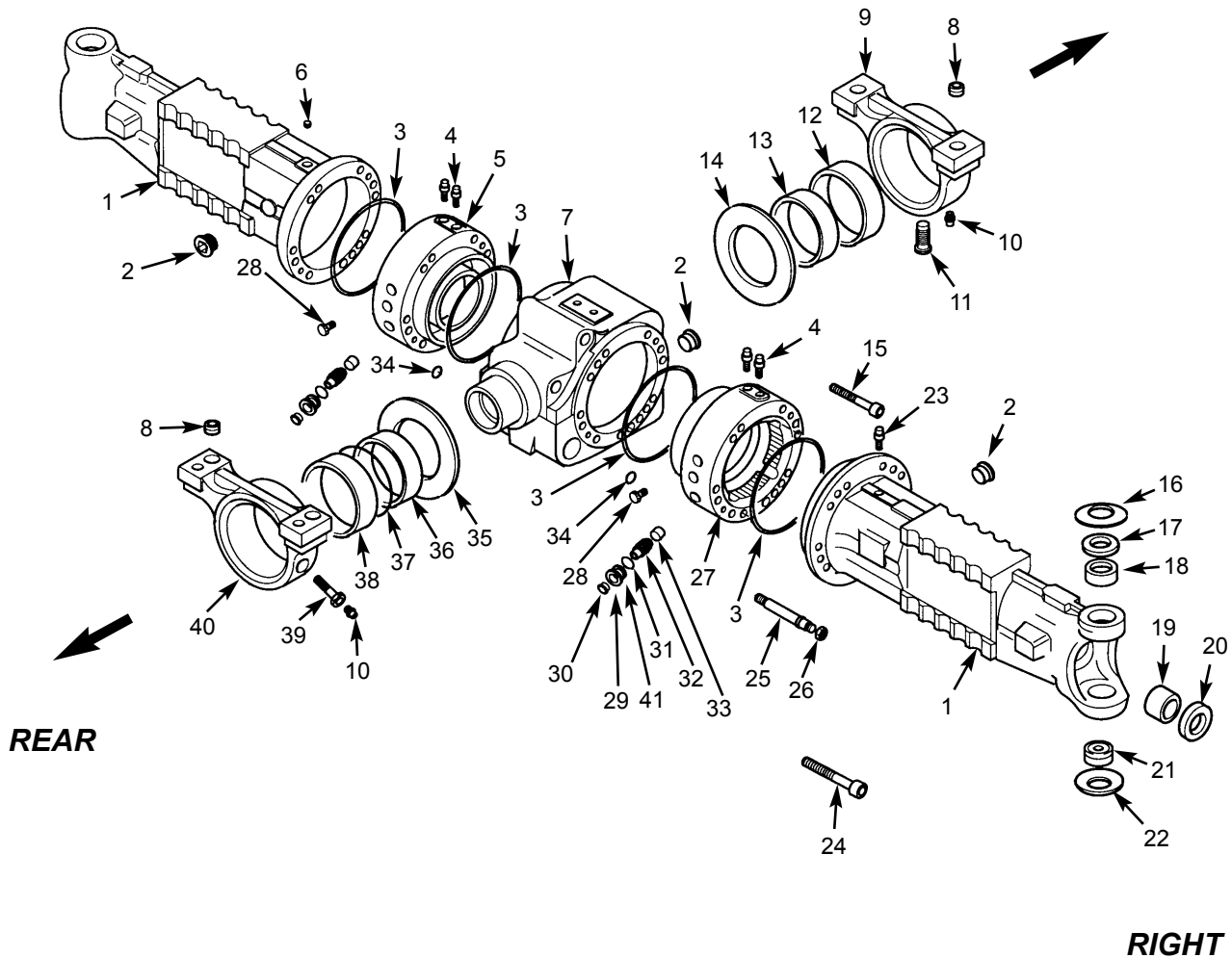


Ref. No.	Part No.	Description	Qty. Req.	Ref. No.	Part No.	Description	Qty. Req.
01	L99597	BOLT, M10X1.25X50	6	06	L99602	NEEDLE BEARING-BY TENS . . .	16.8
02	L99598	PIN.	6	07	L99603	THRUST WASHER, 60X40X1.5 . . .	6
03	L99599	THRUST WASHER, 60X11X3.	6	08	L99604	PLANETARY CARRIER ASY.	2
04	L99600	THRUST WASHER, 60X11X3.	6	09	L99615	OIL PLUG, M30X2.	2
05	L99601	PLANETARY GEAR	6	10	L97616	BOLT, M8X20	4

**Differential Lock
Housing
(Thru S/N 65166)**

LEFT

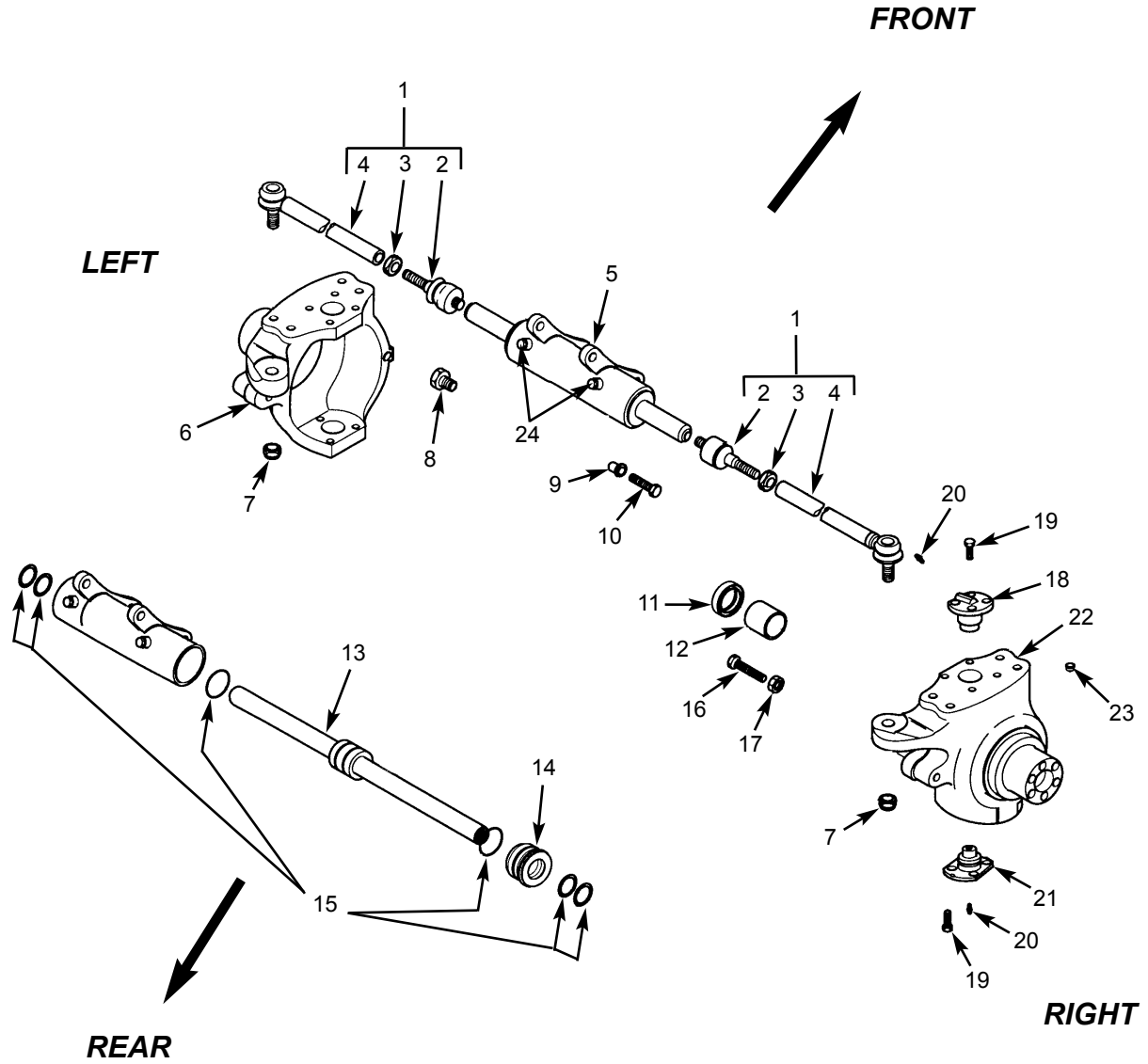
FRONT



Differential Lock Housing (Thru S/N 65166)

Ref. No.	Part No.	Description	Qty. Req.	Ref. No.	Part No.	Description	Qty. Req.
01	L500608	BEAM TRUMPET	2	21	L99485	SHPERICAL BEARING	2
02	L99615	OIL PLUG M30X2	3	22	L99486	BELLEVILLE WASHER	2
03	L99462	O-RING	4	23	L99478	BREATHER M10X1	1
04	L99488	BREATHER, M10X1	4	24	L99479	BOLT	22
05	L500377	BRAKE FLANGE LH	1	25	L500383	BOLT	2
06	L500385	PLUG M10X1	1	26	L500384	NUT M16X2	2
07	L500609	CENTRAL BODY	1	27	L500378	BRAKE FLANGE RH	1
08	L99466	BUSHING	4	28	L500612	PLUG	6
09	L99491	FRONT SUPPORT	1	29	L500381	SCREW M22X1.5	6
10	L99469	GREASE ZERK	2	30	L500613	PLUG M16X1.5	6
11	L500380	BOLT	1	31	L99456	O-RING	6
12	L99465	BUSHING	1	32	L99494	BOLT M16X1,5	6
13	L99474	BUSHING	1	33	L500382	PIN	6
14	L99475	THRUST WASHER	1	34	L99464	O-RING	2
15	L99489	BOLT M12X110	2	35	L500614	THRUST WASHER	1
16	L99480	BELLEVILLE WASHER	2	36	L99471	BUSHING	1
17	L99481	SHIM	2	37	L99473	O-RING	1
18	L99482	BUSHING	2	38	L99472	BUSHING	1
19	L99483	BUSHING	2	39	L99468	BOLT	1
20	L500610	OIL SEAL	2	40	L99467	REAR SUPPORT	1
				41	L99457	WASHER	6

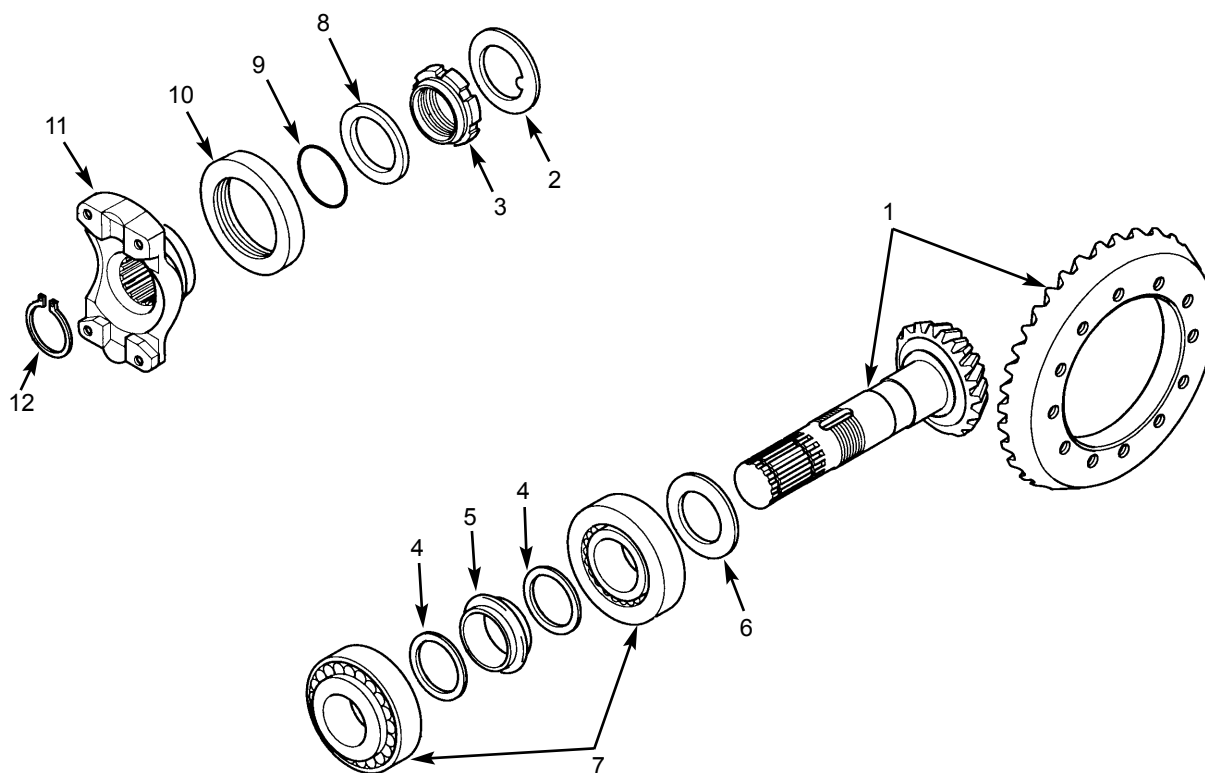
**Differential Lock
Swivel Housing and Steer Cylinder
(Thru S/N 65166)**



**Differential Lock
Swivel Housing and Steer Cylinder
(Thru S/N 65166)**

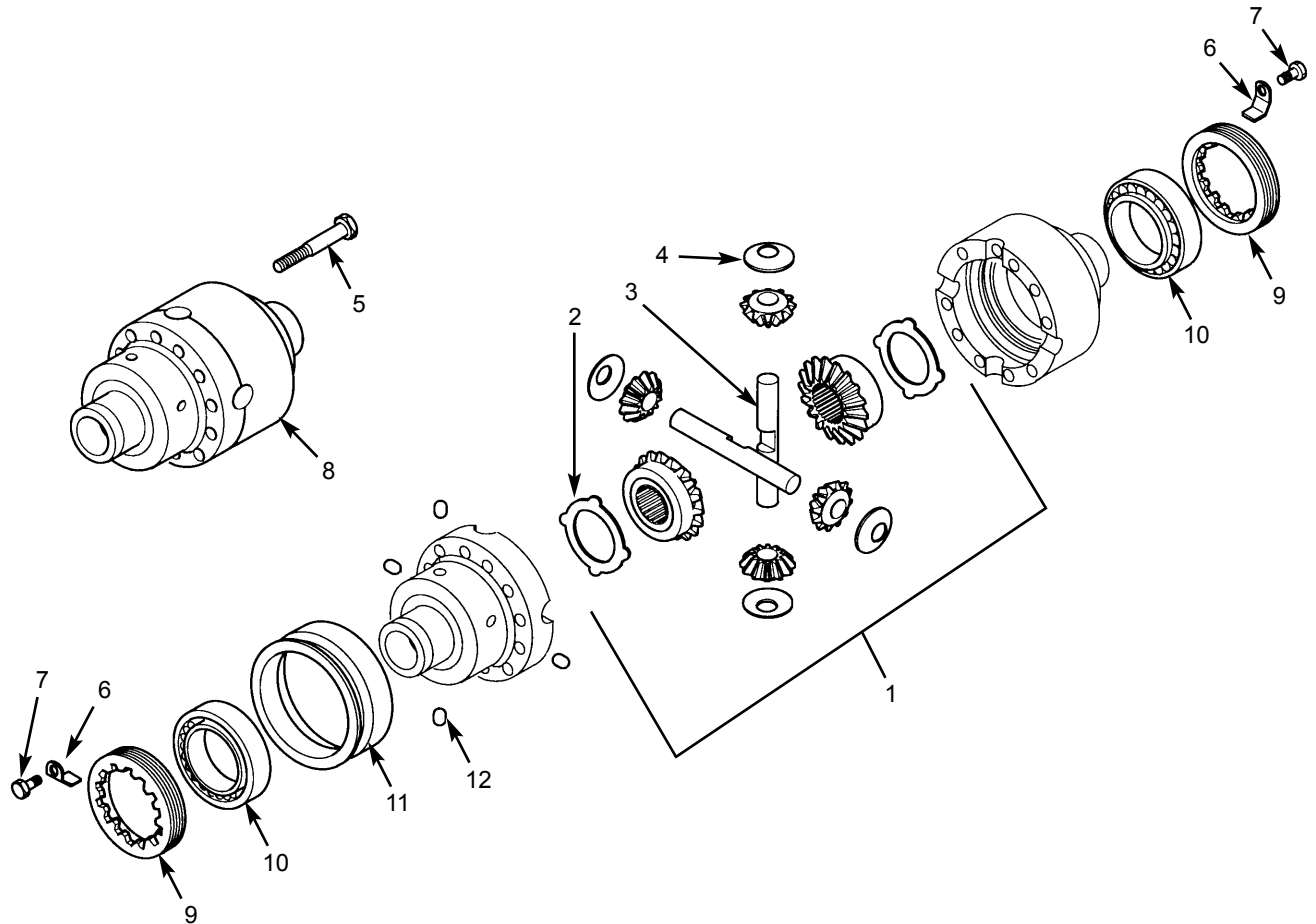
Ref. No.	Part No.	Description	Qty. Req.	Ref. No.	Part No.	Description	Qty. Req.
01	NSS	STEERING ARM	2	14	L99506	CYLINDER HEAD	1
02 ^a	L99502	BALL JOINT	1	15	L500387	SEAL KIT (<i>seals only</i>)	1
03 ^a	L99501	NUT, M24X1.5	1	16	L500267	BOLT, M16X100	4
04 ^a	L500280	TIE ROD	1	17	L500266	NUT, M16	4
05	L500386	STEERING CYLINDER	1	18	L99515	KING PIN	2
06	L500617	SWIVEL HOUSING LH	1	19	L99513	BOLT, M16X2X38	16
07	L99507	NUT, M24X1.5	2	20	L99514	GREASE ZERK M6X1	4
08	L99519	BOLT, M22X55	2	21	L99517	KING PIN	2
09	L99520	BUSHING	2	22	L500619	SWIVEL HOUSING RH	1
10	L99521	BOLT, M14X65	2	23	L500620	PLUG	8
11	L500618	SEAL RING	2	24	L69576	ADAP M18X1.5ORM -8JICM STR .	2
12	L99511	BUSHING	2				
13	L99995	ROD	1	a	<i>Quantity for one steering arm assembly</i>		

**Differential Lock
Gear and Pinion Set
(Thru S/N 65166)**



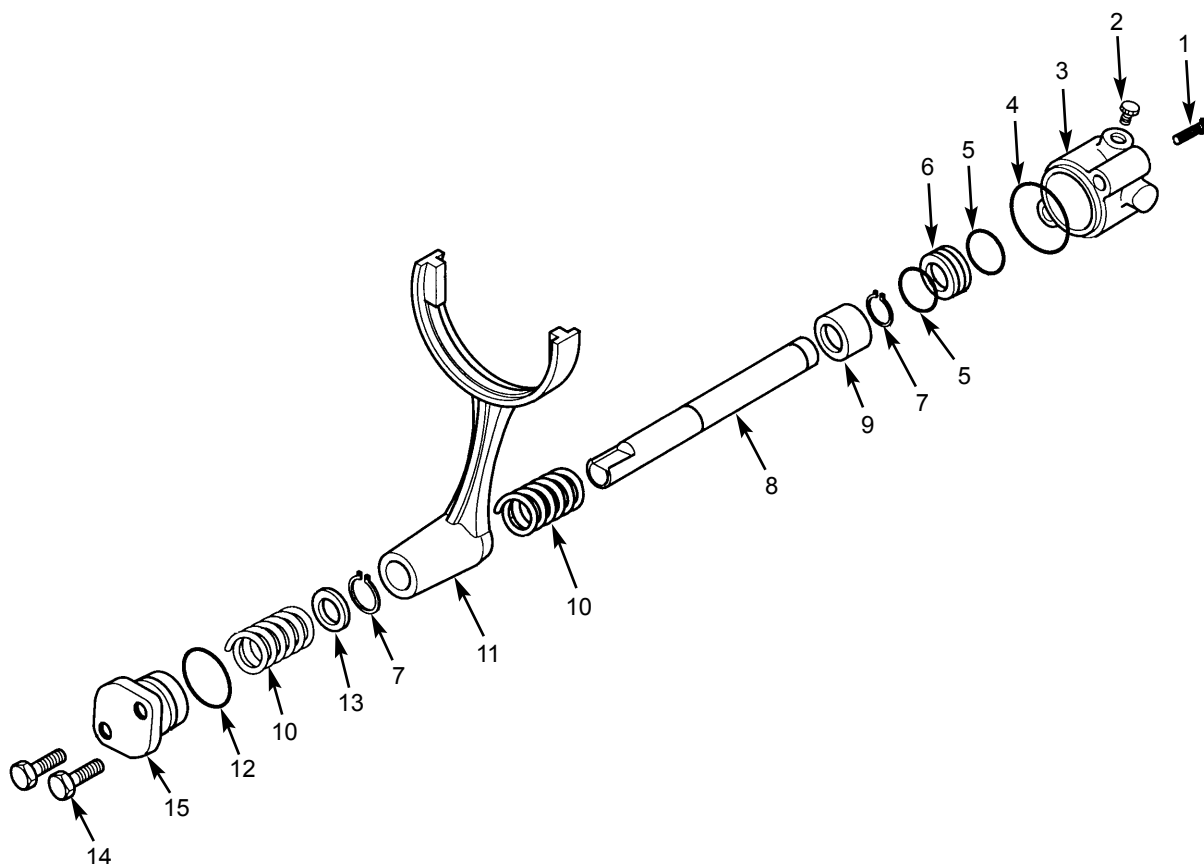
Ref. No.	Part No.	Description	Qty. Req.	Ref. No.	Part No.	Description	Qty. Req.
01	L99522	GEAR & PINION SET	1	07	L99538	BEARING	2
		(Incl. Items 2-5)		08	L99539	WASHER	1
02	L99523	LOCKWASHER	1	09	L99540	O-RING	1
03	L99524	RING NUT, M40X1.5	1	10	L500615	OIL SEAL 65X92X14	1
04	L99525	WASHER, 50X40X2	2	11	L99542	FLANGE	1
05	L99526	COLLAPSIBLE SPACER	1	12	L99527	SNAP RING D.34	1
06	L99528	SHIM, 2.50MM	AR				
	L99529	SHIM, 2.60MM	AR				
	L99530	SHIM, 2.70MM	AR				
	L99531	SHIM, 2.80MM	AR				
	L99532	SHIM, 2.90MM	AR				
	L99533	SHIM, 3.00MM	AR				
	L99534	SHIM, 3.10MM	AR				
	L99535	SHIM, 3.20MM	AR				
	L99536	SHIM, 3.30MM	AR				
	L99537	SHIM, 3.40MM	AR				

**Differential Lock
Differential
(Thru S/N 65166)**



Ref. No.	Part No.	Description	Qty. Req.	Ref. No.	Part No.	Description	Qty. Req.
01	L500636	DIFFERENTIAL KIT	1	08	L500637	DIFFERENTIAL HOUSING	1
		(Includes items 2-4)		09	L99549	RING NUT	2
02	L99546	DRIVE PLATE	2	10	L99550	BEARING	2
03	L99545	SHAFT	2	11	L500638	SLEEVE	1
04	L99544	THRUST WASHER	4	12	L500639	PIN	4
05	L99551	BOLT, M10X1.5X75	12				
06	L99548	LOCKING PLATE	2				
07	L99547	BOLT, M6X1X10	2				

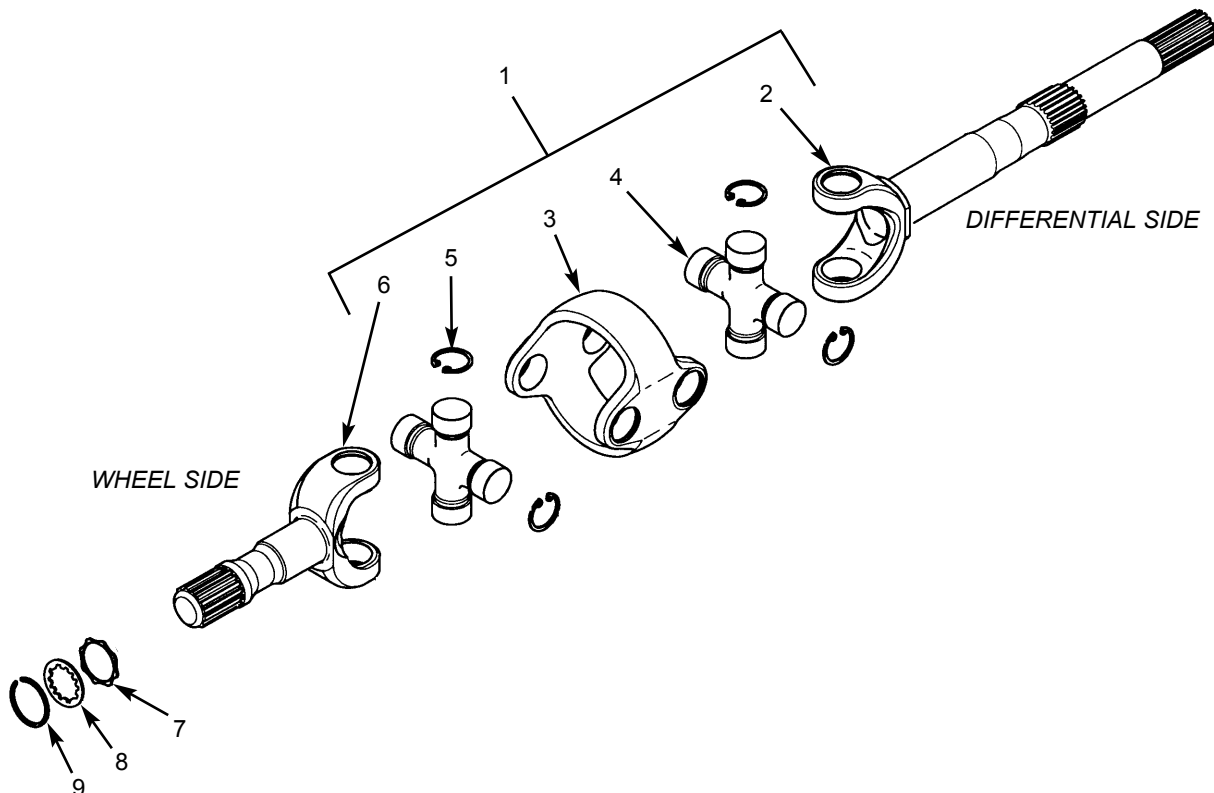
Differential Lock
Differential Locking Assembly
(Thru S/N 65166)



Differential Lock
Differential Locking Assembly
 (Thru S/N 65166)

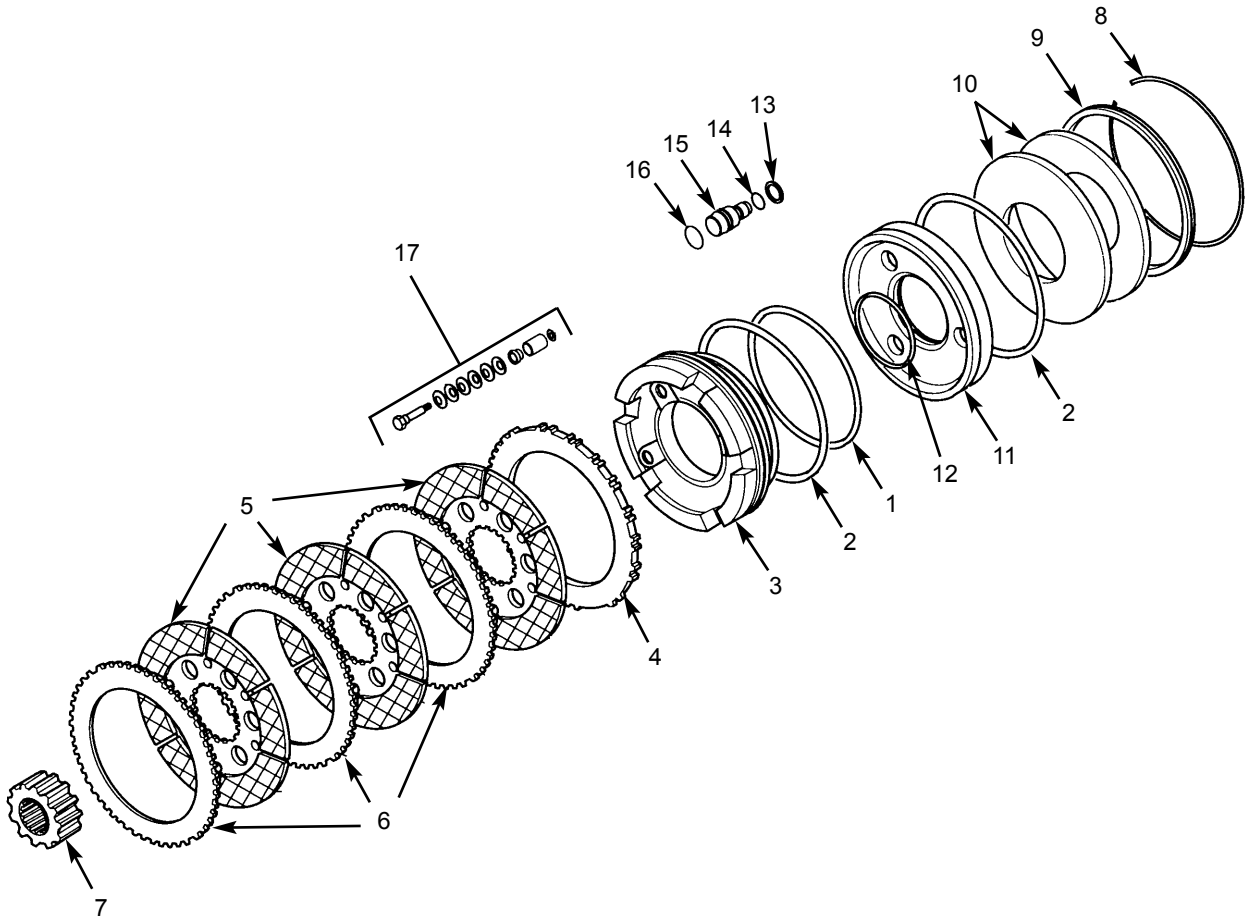
Ref. No.	Part No.	Description	Qty. Req.	Ref. No.	Part No.	Description	Qty. Req.
01	L500621	BOLT, M8X80	2	09	L500629	BUSHING	1
02	L500622	PLUG	1	10	L500630	SPRING	2
03	L500623	CYLINDER SUPPORT LH	1	11	L500631	FORK	1
04	L500624	O RING	1	12	L500632	O RING	1
05	L500625	O RING	2	13	L500633	SPACER	1
06	L500626	PISTON	1	14	L500634	BOLT, M8X30	2
07	L500627	SNAP RING	2	15	L500635	COVER	1
08	L500628	SHAFT	1				

**Differential Lock
Double Joint Shaft
(Thru S/N 65166)**



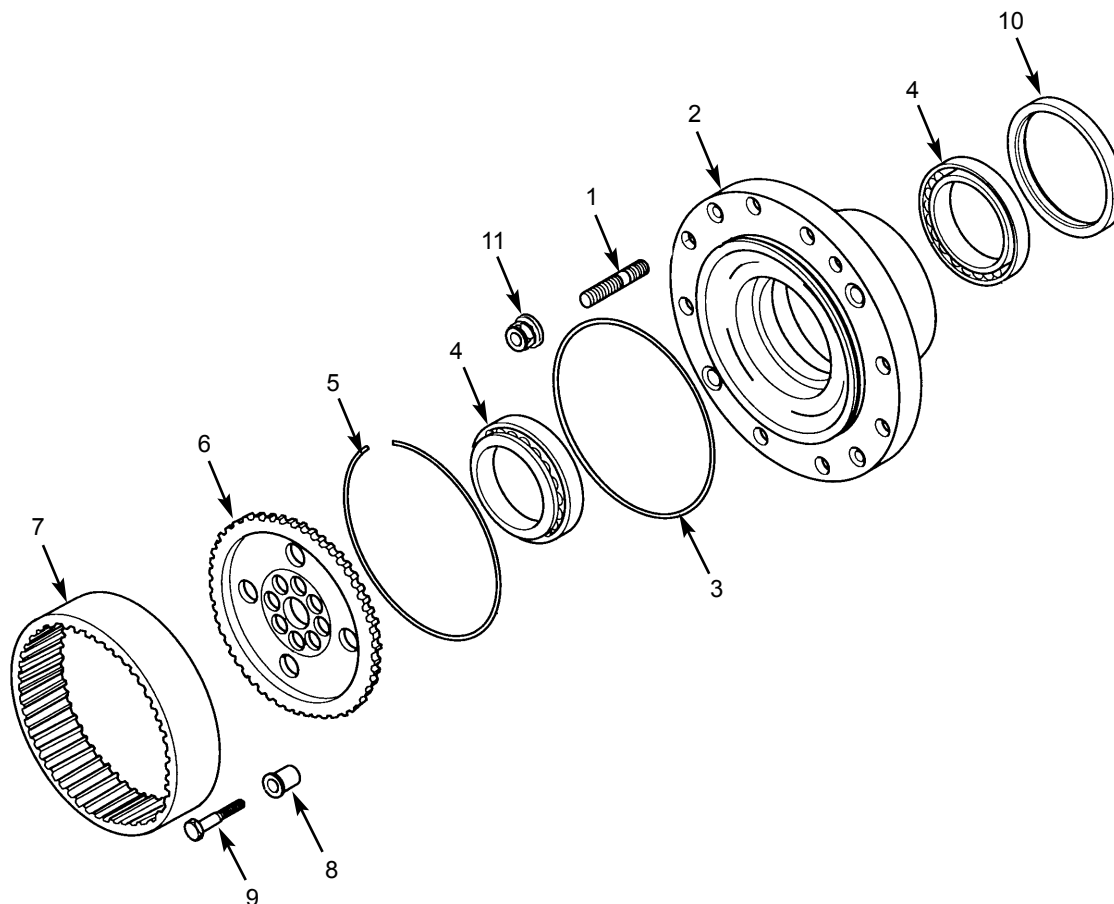
Ref. No.	Part No.	Description	Qty. Req.	Ref. No.	Part No.	Description	Qty. Req.
01	L99553	DOUBLE JOINT SHAFT	2	08	L99560	WASHER 54.5X46.9X3	2
		(Includes items 2-6)		09	L99561	SNAP RING D.45	2
02	L99554	FORK (DIFFERENTIAL. SIDE) . . .	1*	a	<i>Some models used 2 washers per double joint shaft. These have been replaced by the 1 washer per double joint shaft shown.</i>		
03	L99555	CENTRAL BODY	1*	*	<i>Quantity for one double joint shaft.</i>		
04	L99556	SPIDER	2*				
05	L99557	SNAP RING	8*				
06	L99558	FORK (WHEEL SIDE)	1*				
07 ^a	L500658	THRUST WASHER	2				

**Differential Lock
Brakes
(Thru S/N 65166)**



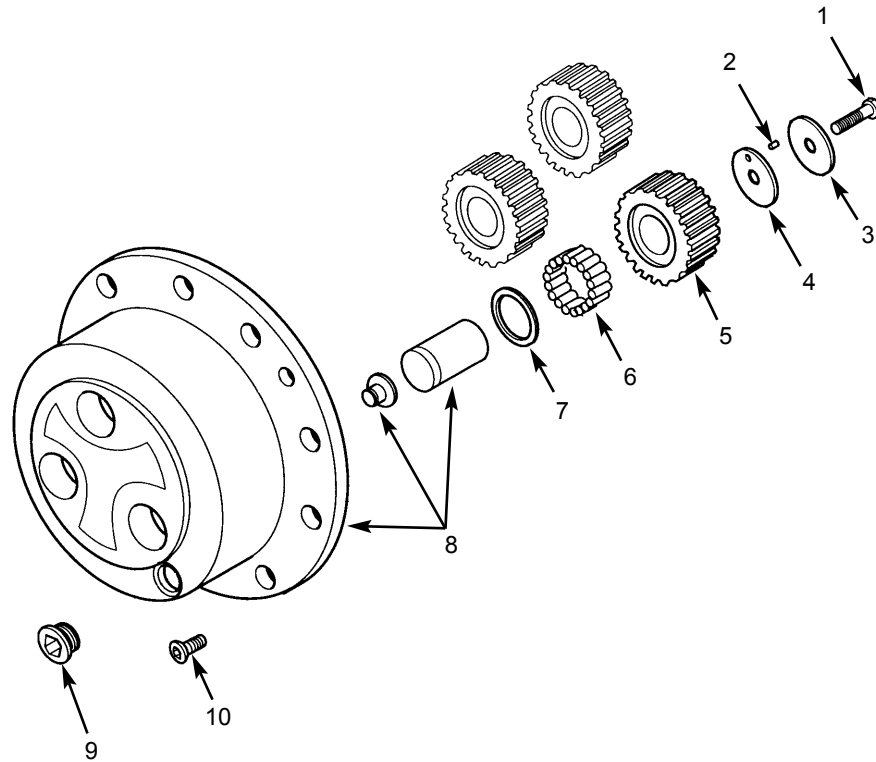
Ref. No.	Part No.	Description	Qty. Req.	Ref. No.	Part No.	Description	Qty. Req.
01	L500389	O RING	2	10	L99576	BELLEVILLE WASHER	4
02	L500390	O RING	4	11	L99577	BRAKE PISTON, NEG.	2
03	L99564	BRAKE PISTON, POS.	2	12	L500391	O RING	2
04	L99565	DRIVE PLATE	2	13	L99579	WASHER	6
05	L99566	BRAKE DISC	6	14	L500392	O-RING	6
06	L99567	DRIVE PLATE	6	15	L99581	SHAFT	6
07	L99568	SLEEVE	2	16	L500393	O-RING	6
08	L99574	RING	2	17	L99996	SELF ADJUST KIT	2
09	L99575	SLEEVE	2				

**Differential Lock
Wheel Hub
(Thru S/N 65166)**



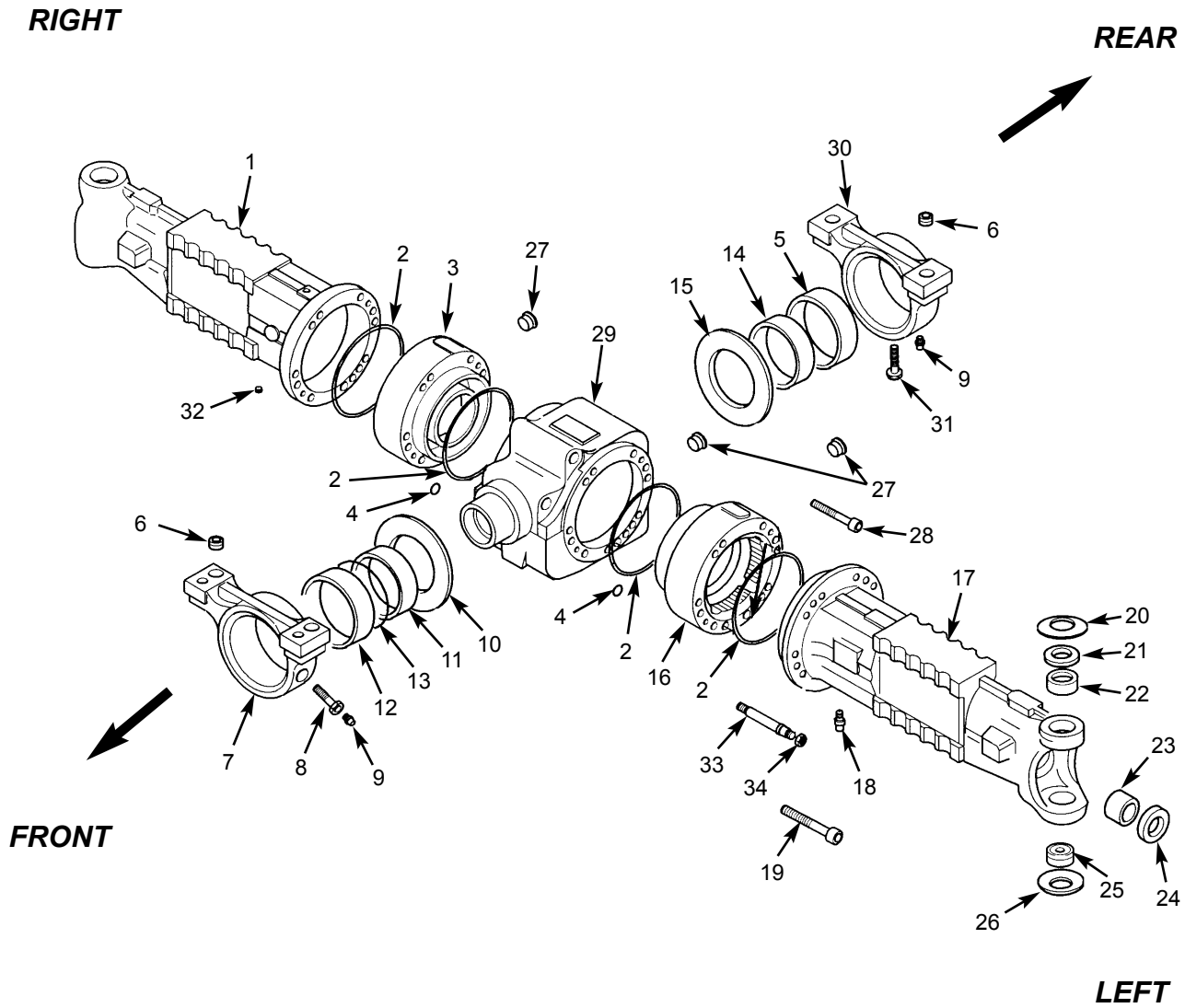
Ref. No.	Part No.	Description	Qty. Req.	Ref. No.	Part No.	Description	Qty. Req.
01	L99584	STUD	20	07	L99590	CROWN GEAR Z=77	2
02	L500640	WHEEL HUB ASY.	2	08	L99592	CENTERING BUSHING D20	16
03	L99586	O-RING	2	09	L99593	BOLT, M14X1.5X65.	16
04	L99587	BEARING.	4	10	L500641	CASSETTE SEAL 150X176X16	2
05	L99588	LOCK RING.	2	11	L69734	LUG NUT.	20
06	L500394	WHEEL CARRIER.	2				

**Differential Lock
Planetary Drive
(Thru S/N 65166)**



Ref. No.	Part No.	Description	Qty. Req.	Ref. No.	Part No.	Description	Qty. Req.
01	L99597	BOLT, M10X1.25X50	6	06	L99602	NEEDLE BEARING-BY TENS . . .	16.8
02	L99598	PIN	6	07	L99603	THRUST WASHER, 60X40X1.5 . . .	6
03	L99599	THRUST WASHER, 60X11X3	6	08	L99604	PLANETARY CARRIER ASY.	2
04	L99600	THRUST WASHER, 60X11X3	6	09	L99615	OIL PLUG, M30X2	2
05	L99601	PLANETARY GEAR	6	10	L97616	BOLT, M8X20	4

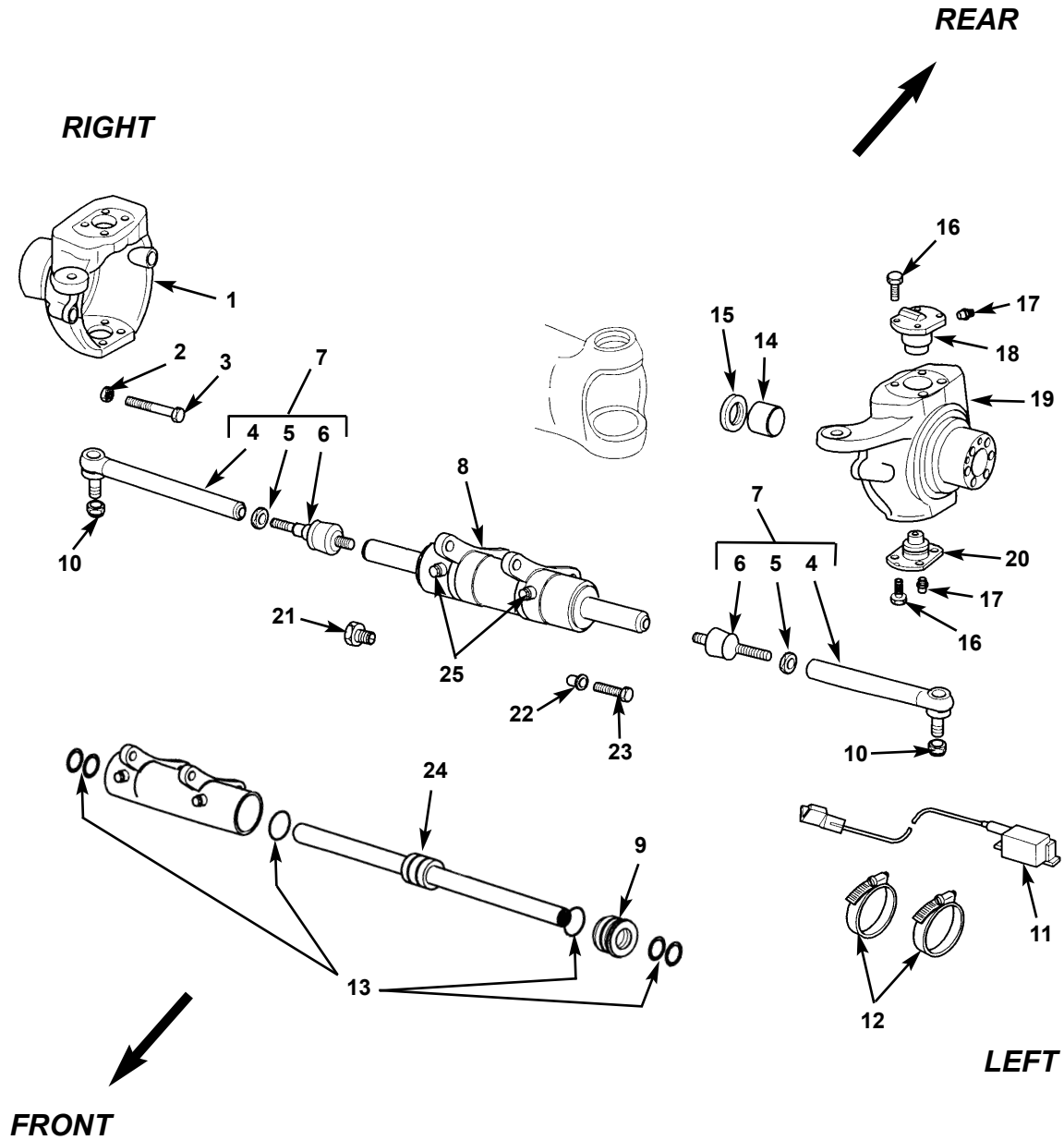
Axle Housing
(Thru S/N 65166)



Axle Housing (Thru S/N 65166)

Ref. No.	Part No.	Description	Qty. Req.	Ref. No.	Part No.	Description	Qty. Req.
01	L500376	BEAM TRUMPET	1	18	L99478	BREATHER M10X1.....	1
02	L99462	O-RING	4	19	L99479	BOLT	24
03	L500395	BRAKE FLANGE LH	1	20	L99480	BELLEVILLE WASHER.....	2
04	L99464	O-RING	2	21	L99481	SHIM	2
05	L99465	BUSHING	1	22	L99482	BUSHING	2
06	L99466	BUSHING	4	23	L99483	BUSHING	2
07	L99467	REAR SUPPORT	1	24	L99484	OIL SEAL.....	2
08	L99468	BOLT	1	25	L99485	SHPERICAL BEARING.....	2
09	L99469	GREASE ZERK.....	2	26	L99486	BELLEVILLE WASHER.....	2
10	L99470	THRUST WASHER	1	27	L99615	OIL PLUG M30X2	3
11	L99471	BUSHING	1	28	L99489	BOLT M12X110	4
12	L99472	BUSHING	1	29	L500397	CENTRAL BODY.....	1
13	L99473	O-RING	1	30	L99491	FRONT SUPPORT	1
14	L99474	BUSHING	1	31	L500380	BOLT	1
15	L99475	THRUST WASHER	1	32	L500385	PLUG M10X1	1
16	L500396	BRAKE FLANGE RH.....	1	33	L500383	BOLT	1
17	L500376	BEAM TRUMPET	1	34	L500384	M16X2 NUT.....	1

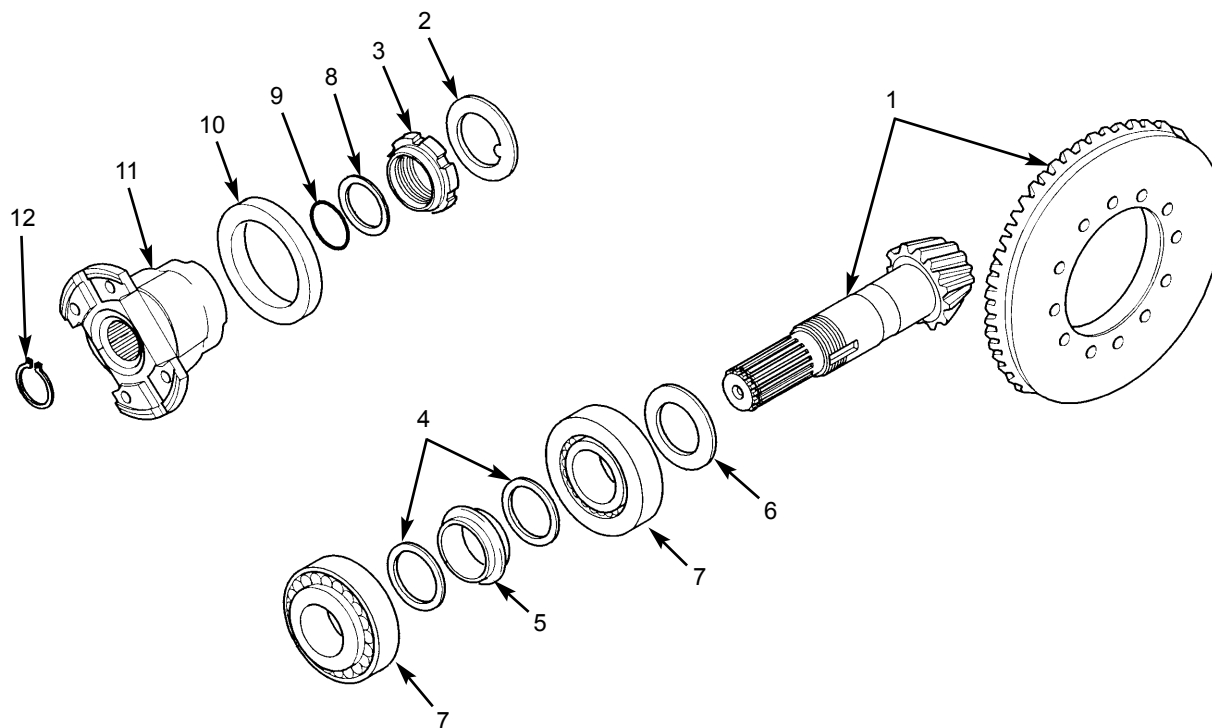
Axle Swivel Housings and Steer Cylinder
(Thru S/N 65166)



***Axle Swivel Housings and Steer Cylinder
(Thru S/N 65166)***

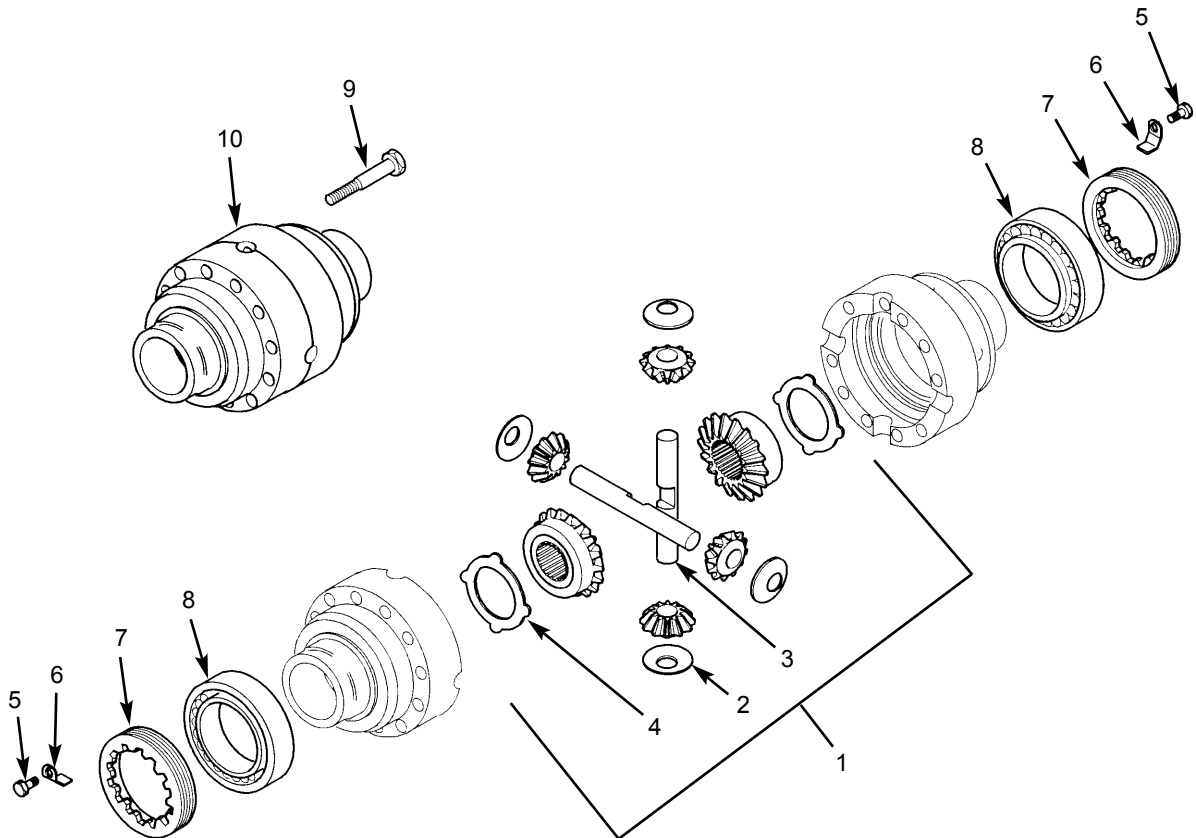
Ref. No.	Part No.	Description	Qty. Req.	Ref. No.	Part No.	Description	Qty. Req.
01	L99497	SWIVEL. HOUSING LH.	1	16	L99513	BOLT, M16X2X38	16
02	L500266	NUT, M16.	4	17	L99514	GREASE ZERK M6X1.	4
03	L500267	BOLT, M16X100	4	18	L99515	KING PIN.	2
04 ^a	L500280	TIE ROD	1	19	L99516	SWIVEL. HOUSING RH	1
05 ^a	L99501	NUT, M24X1.5	1	20	L99517	KING PIN.	2
06 ^a	L99502	BALL JOINT.	1	21	L99519	BOLT, M22X55	2
07	NSS	STEERING ARM ASY	1	22	L99520	BUSHING	2
08	L99504	STEERING CYLINDER.	1	23	L99593	BOLT, M1X65	2
09	L99506	CYLINDER HEAD	2	24	L99995	ROD.	1
10	L99507	NUT, M24X1.5	2	25	L69576	ADAP M18X1.5ORM -8JICM STR .	2
11	L99610	STEERING SENSOR	1				
12	L99509	CLAMP	2	<i>a</i>	<i>Quantity for one steering arm assembly.</i>		
13	L500387	OIL SEAL KIT (<i>seals only</i>).	1				
14	L99511	BUSHING	2				
15	L99512	OIL SEAL 48X65X11	2				

Axle Gear & Pinion Set
(Thru S/N 65166)



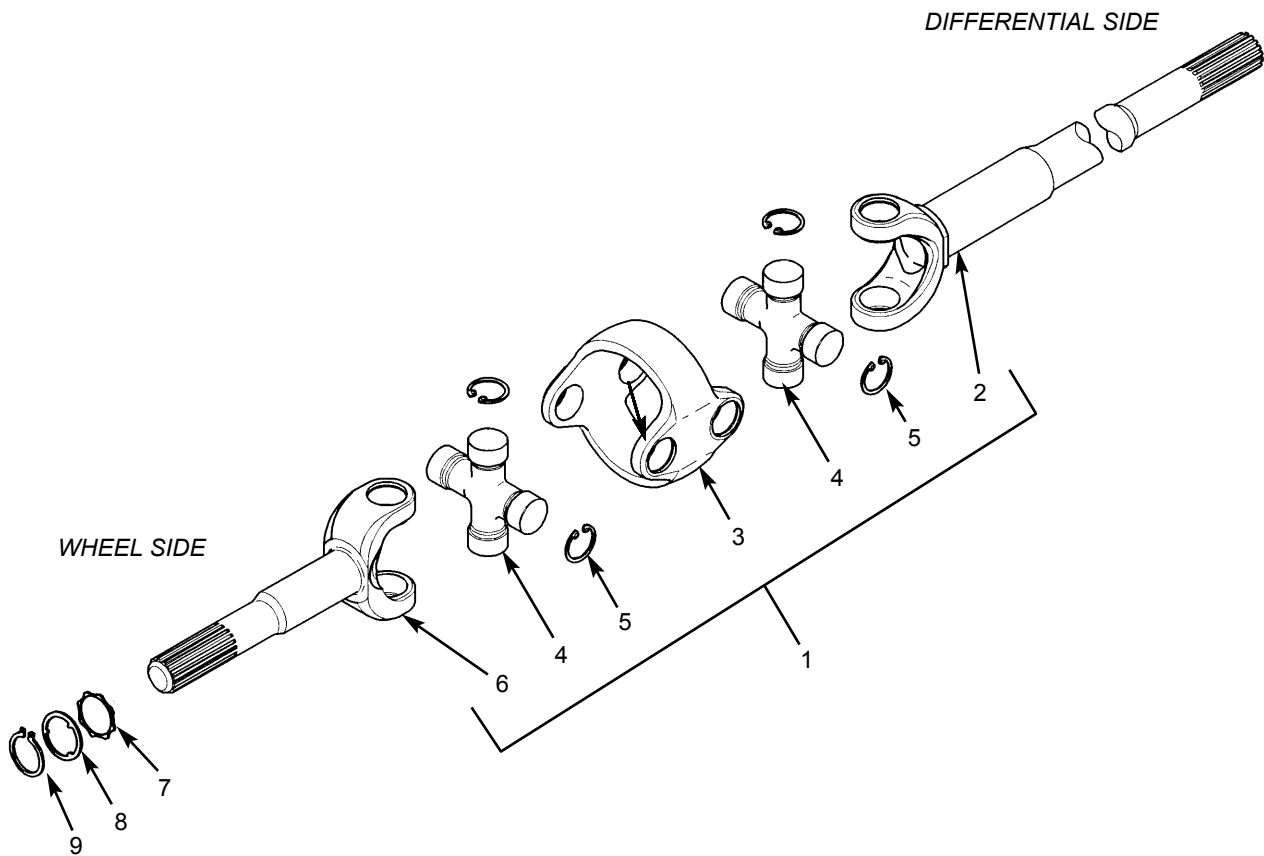
Ref. No.	Part No.	Description	Qty. Req.	Ref. No.	Part No.	Description	Qty. Req.
01	L99643	GEAR & PINION SET	1	07	L99538	BEARING	2
		(Incl. Items 2-4)		08	L99539	WASHER	1
02	L99523	LOCKWASHER	1	09	L99540	O-RING	1
03	L99524	RING NUT, M40X1.5	1	10	L99541	OIL SEAL 65X92X14	1
04	L99525	WASHER, 50X40X2	2	11	L99542	FLANGE	1
05	L99526	COLLAPSIBLE SPACER	1	12	L99527	SNAP RING D.34	1
06	L99528	SHIM, 2.50MM	AR				
	L99529	SHIM, 2.60MM	AR				
	L99530	SHIM, 2.70MM	AR				
	L99531	SHIM, 2.80MM	AR				
	L99532	SHIM, 2.90MM	AR				
	L99533	SHIM, 3.00MM	AR				
	L99534	SHIM, 3.10MM	AR				
	L99535	SHIM, 3.20MM	AR				
	L99536	SHIM, 3.30MM	AR				
	L99537	SHIM, 3.40MM	AR				

Axle Differential
(Thru S/N 65166)



Ref. No.	Part No.	Description	Qty. Req.	Ref. No.	Part No.	Description	Qty. Req.
01	L99543	DIFFERENTIAL KIT	1	06	L99548	LOCKING PLATE	2
		(Items 2-4)		07	L99549	RING NUT	2
02	L99544	THRUST WASHER	4	08	L99550	BEARING	2
03	L99545	SHAFT	2	09	L99551	BOLT, M10X1.5X75	12
04	L99546	DRIVE PLATE	2	10	L99552	DIFFERENTIAL HOUSING	1
05	L99547	BOLT, M6X1X10	2				

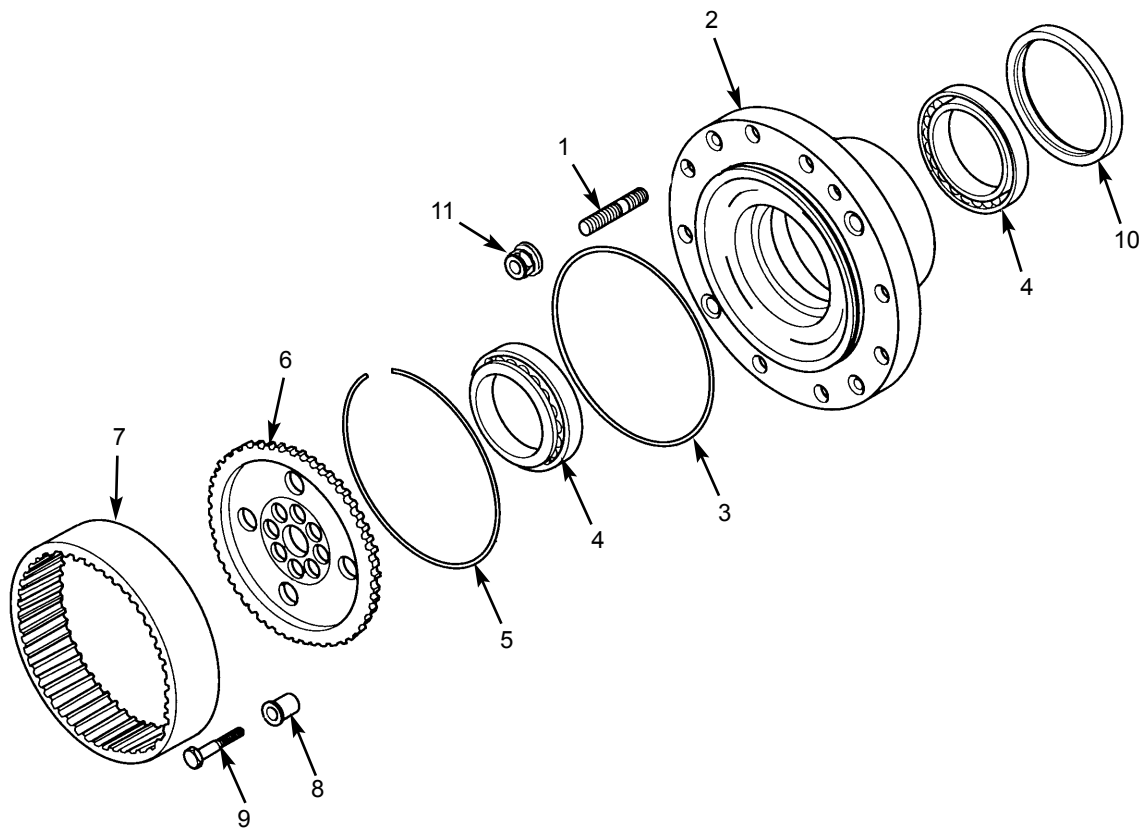
Axle Double Joint Shaft
(Thru S/N 65166)



**Axle Double Joint Shaft
(Thru S/N 65166)**

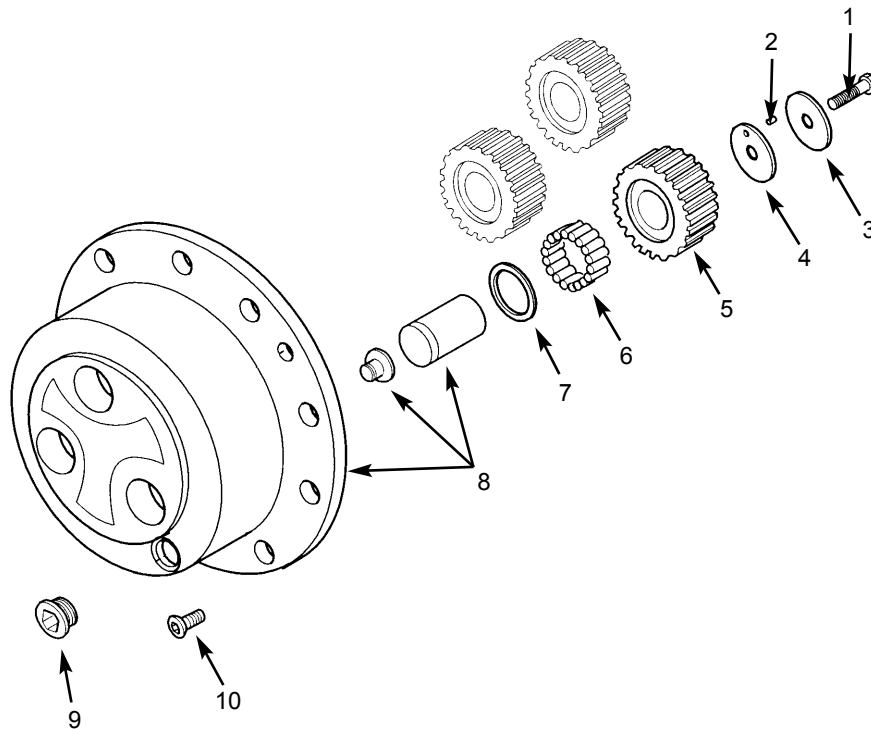
Ref. No.	Part No.	Description	Qty. Req.	Ref. No.	Part No.	Description	Qty. Req.
01	L99553	DOUBLE JOINT SHAFT	2	09	L99561	SNAP RING D.45	2
		(Includes items 2-6)					
02	L99554	HALF SHAFT - DIFF. SIDE	1*	a		<i>Some models used 2 washers per double joint shaft. These have been replaced by the 1 washer per double joint shaft shown.</i>	
03	L99555	CENTRAL BODY	1*				
04	L99556	SPIDER	2*				
05	L99557	SNAP RING	8*				
06	L99558	HALF SHAFT - WHL. SIDE	1*	*		<i>Quantity for one double joint shaft.</i>	
07 ^a	L500658	THRUST WASHER	2				
08	L500388	WASHER 54.5X46.9X3	2				

Axle Wheel Hub
(Thru S/N 65166)



Ref. No.	Part No.	Description	Qty. Req.	Ref. No.	Part No.	Description	Qty. Req.
01	L99584	STUD	20	07	L99590	CROWN GEAR Z=77	2
02	L99585	WHEEL HUB ASY.	2	08	L99592	CENTERING BUSHING D20	16
03	L99586	O-RING	2	09	L99593	BOLT, M14X1.5X65	16
04	L99587	BEARING	4	10	L99596	CASSETTE SEAL 150X176X16 ...	2
05	L99588	LOCK RING	2	11	L69734	LUG NUT	20
06	L500394	WHEEL CARRIER	2				

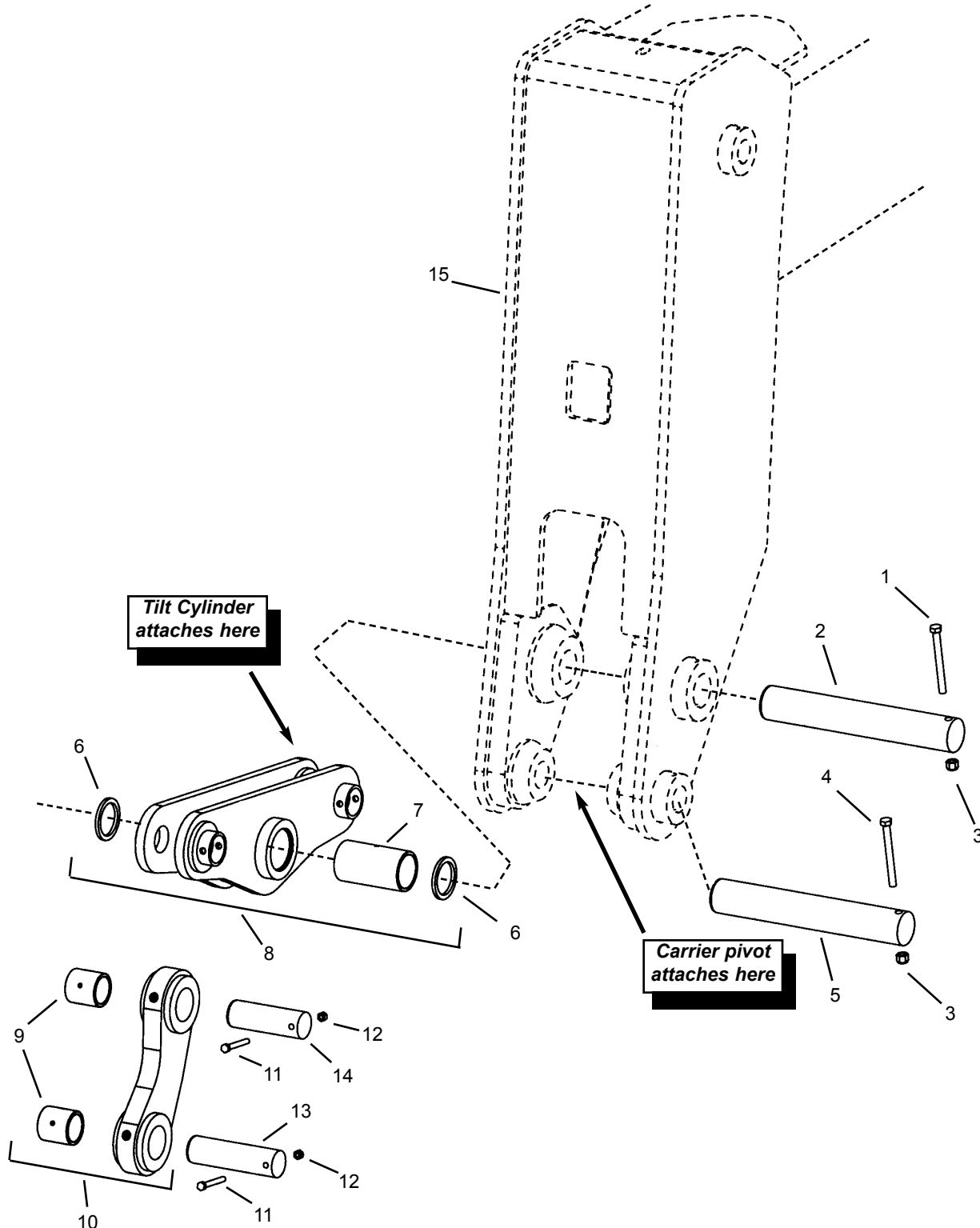
Axle Planetary Drive
(Thru S/N 65166)



Ref. No.	Part No.	Description	Qty. Req.	Ref. No.	Part No.	Description	Qty. Req.
01	L99597	BOLT, M10X1.25X50	6	07	L99603	THRUST WASHER, 60X40X1.5	6
02	L99598	PIN.	6	08	L99604	PLANETARY CARRIER ASY.	2
03	L99599	THRUST WASHER, 60X11X3.	6	09	L99615	OIL PLUG, M30X2.	2
04	L99600	THRUST WASHER, 60X11X3.	6	10	L97616	BOLT, M8X20	4
05	L99601	PLANETARY GEAR	6				
06	L99602	NEEDLE BEARING-BY TENS	16.8				

Inner Boom - Front Section

(S/N 65165 and Up; including 65149, 65155, 65158, 65161 thru 65163)



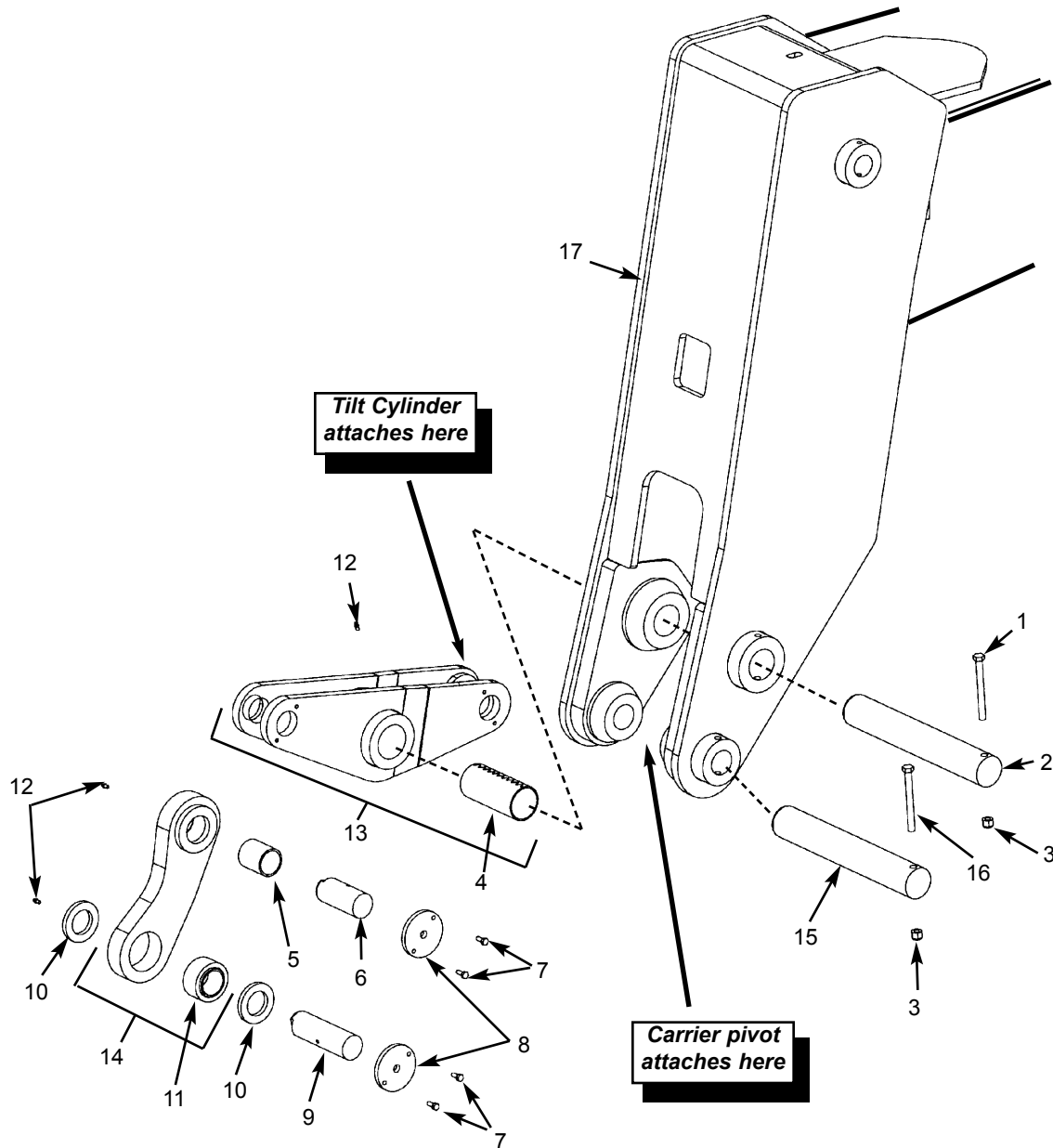
Inner Boom - Front Section

(S/N 65165 and Up; including 65149, 65155, 65158, 65161 thru 65163)

Ref. No.	Part No.	Description	Qty. Req.	Ref. No.	Part No.	Description	Qty. Req.
01	L50462	1/2-13X5" BOLT.....	1	09	101232	BUSHING, Z-BAR	2
02	L71501	BELL CRANK PIVOT PIN	1	10	430075	Z-BAR LINK.....	1
03	L520019	1/2-13 NYLON INSERT NUT	2			<i>(Includes item 9)</i>	
04	L50986	1/2-13X4-1/2" BOLT	1		L10465	ZERK 1/4-28 STRAIGHT	2
05	L71502	CARRIER PIVOT PIN	1	11	L50275	3/8"-16X3" BOLT	2
06	101358	SEAL, BELL CRANK PIVOT	2	12	L520005	3/8" NYLON INSERT NUT	2
07	101233	BUSHING, BELL CRANK PIVOT ..	1	13	101182	Z-BAR LINK PIN	1
08	430074	BELL CRANK W/BUSHING	1	14	101181	BELL CRANK PIN.....	1
		<i>(Includes items 6 and 7)</i>		15	L71437	30' LOW INNER WELDMENT.....	1
	L10465	ZERK 1/4-28 STRAIGHT.....	1				

Inner Boom - Front Section

(Thru S/N 65164; except 65149, 65155, 65158, 65161 thru 65163)

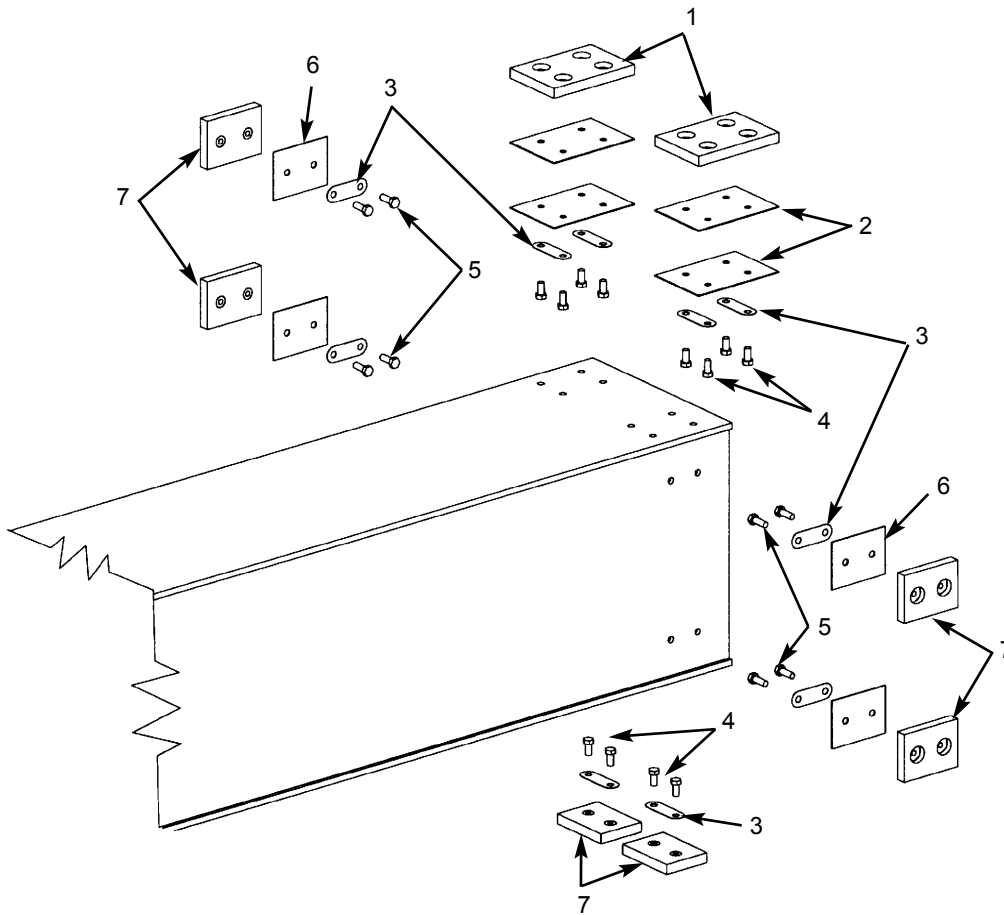


Inner Boom - Front Section

(Thru S/N 65165; except 65149, 65155, 65158, 65161 thru 65163)

Ref. No.	Part No.	Description	Qty. Req.	Ref. No.	Part No.	Description	Qty. Req.
01	L50462	1/2-13X5" BOLT.....	1	11	L69964	SPHERICAL BEARING.....	1
02	L71501	BELL CRANK PIVOT PIN.....	1	12	L10465	ZERK 1/4-28 STRAIGHT.....	3
03	L520019	1/2-13 NYLON INSERT NUT.....	2	13	L71550	BELL CRANK W/BUSHING.....	1
04	L71546	SPRING BUSHING.....	1			<i>(Includes 4)</i>	
05	L69965	SPRING BUSHING.....	1	14	L69963	Z-BAR LINK.....	1
06	L69952	BELL CRANK END PIN.....	1			<i>(Includes 5, 11)</i>	
07	L50230	5/16-18X3/4" BOLT.....	4	15	L71502	CARRIER PIVOT PIN.....	1
08	L69724	PIVOT PIN CAP.....	2	16	L50986	1/2-13X4-1/2" BOLT.....	1
09	L69968	Z-BAR LINK PIN.....	1	17	L71437	30' LOW INNER WELDMENT.....	1
10	L69973	Z-BAR SPACER.....	2				

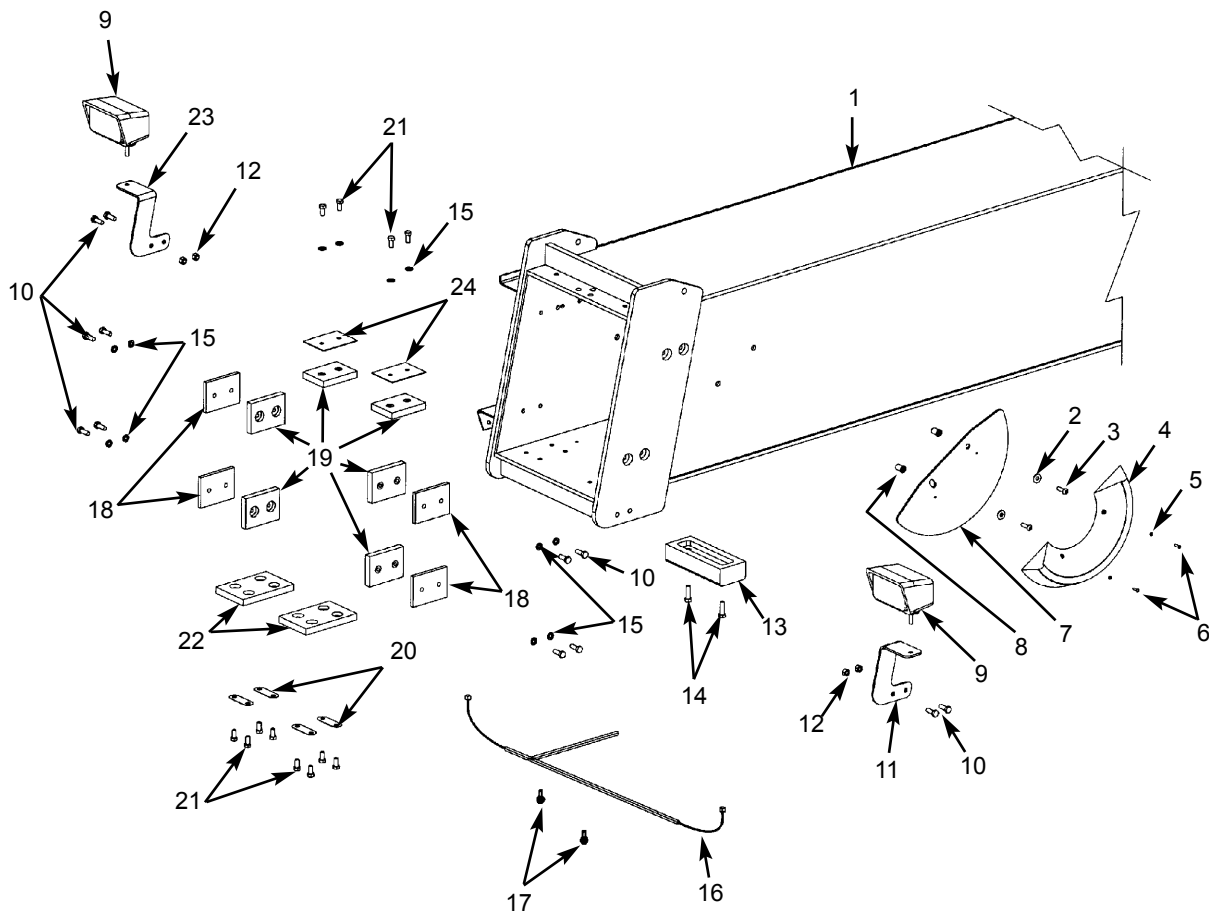
Inner Boom - Rear Section



Inner Boom - Rear Section

Ref. No.	Part No.	Description	Qty. Req.	Ref. No.	Part No.	Description	Qty. Req.
01	L61708	SLIDE PAD	2	05	L50367	3/8-16X1" BOLT.....	8
02	L62731	1/16X4X6" SHIM	4	06	L62733	1/16X3X6" SHIM	4
03	L62715	BOLT LOCK-FLAT.....	10	07	L61709	SLIDE PAD	6
04	L50251	3/8-16X3/4" BOLT	12				

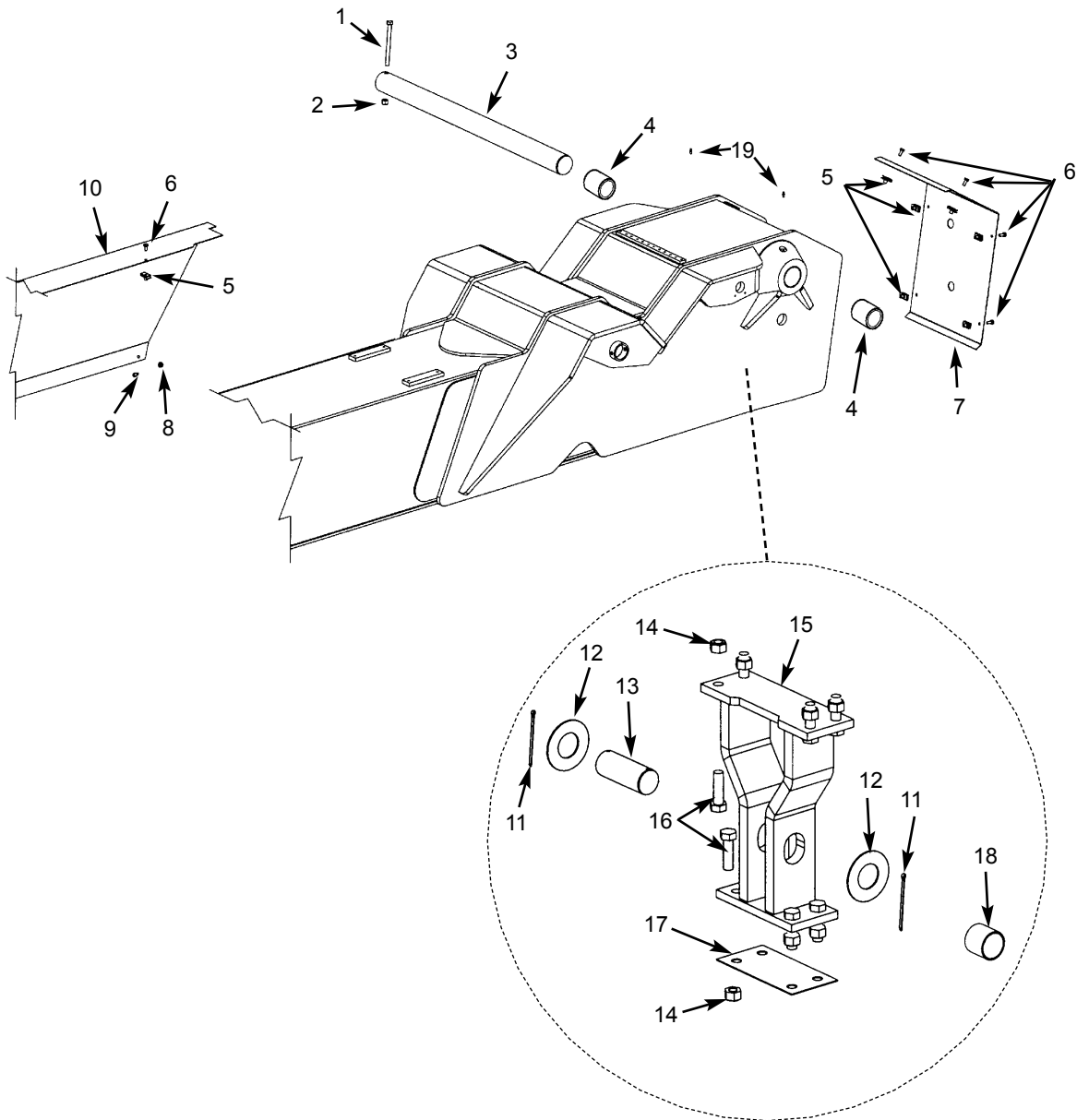
Outer Boom - Front Section



Outer Boom - Front Section

Ref. No.	Part No.	Description	Qty. Req.	Ref. No.	Part No.	Description	Qty. Req.
01	L71472	30' LOW OUTER WELDMENT	1	13	L70429	BOOM SUPPORT PAD	1
02	L50141	5/16" FLAT WASHER	2	14	L50403	3/8-16X1-3/4" BOLT	2
03	L52048	5/16X1" BUTTON HEAD BOLT	2	15	L50147	3/8" SPRING LOCK WASHER . . .	12
04	L65638	INCLINOMETER, ANGLE IND.	1	16	L70462	WORKLIGHT WIRE HARNESS . . .	1
05	L50136	#10 LOCK WASHER	2	17	L70631	CABLE RETAINER	5
06	L50491	#8x5/8" MACHINE SCREW.	2	18	L64132	3/8" PAD SPACER.	4
07	L65640	PLATE, BOOM ANGLE IND.	1	19	L61709	SLIDE PAD	6
08	L70242	5/16-18 NUTSERT	2	20	L62715	BOLT LOCK.	4
09	L70040	WORKLIGHT	2	21	L50251	3/8-16X3/4" BOLT.	12
10	L50367	3/8-16X1" BOLT.	12	22	L61708	SLIDE PAD	2
11	L70639	BRACKET, WORKLIGHT (LH)	1	23	L70635	BRACKET, WORKLIGHT (RH) . . .	1
12	L520005	3/8-16 NYLON INSERT NUT	4	24	L62733	1/16X3X4" SHIM	2

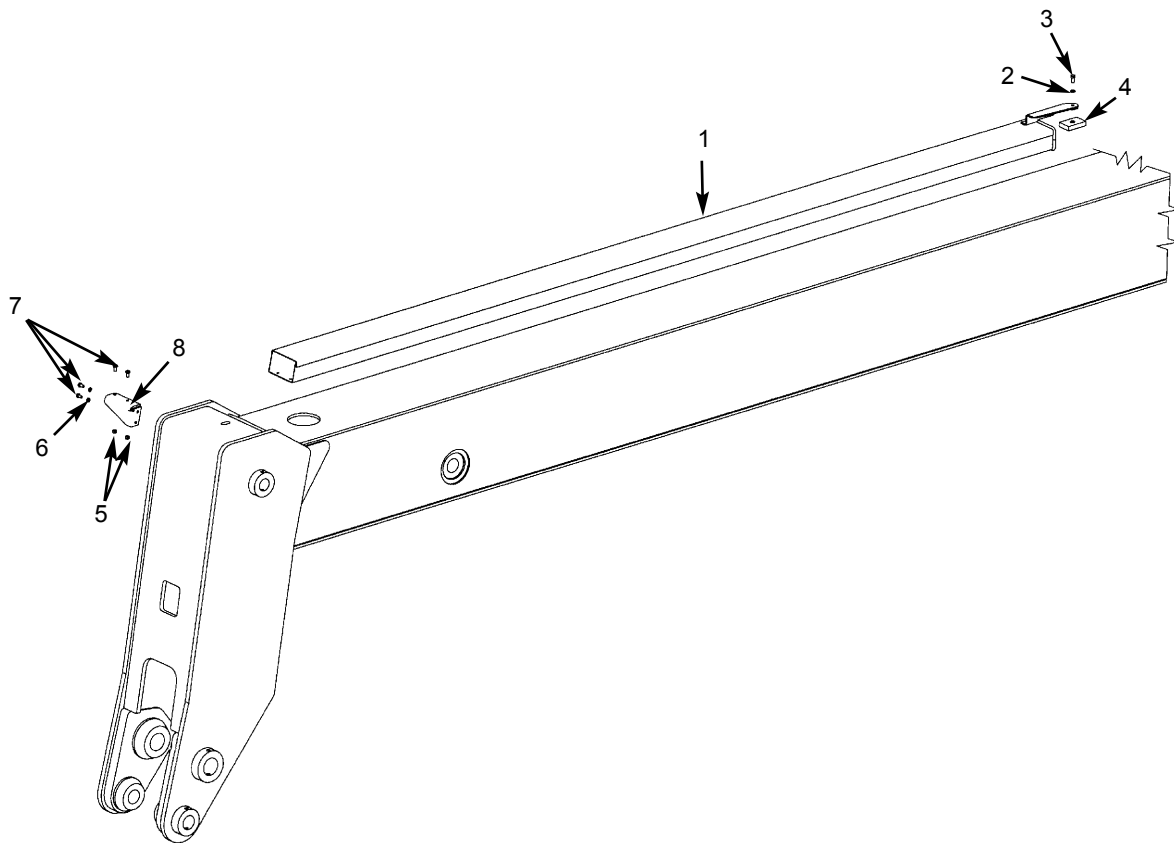
Outer Boom - Rear Section



Outer Boom - Rear Section

Ref. No.	Part No.	Description	Qty. Req.	Ref. No.	Part No.	Description	Qty. Req.
01	L50463	1/2-13X6" BOLT.....	1	11	L50608	3/16X4" COTTER PIN.....	2
02	L520019	1/2-13 NYLON INSERT NUT	1	12	L400207	THRUST WASHER.....	2
03	L69474	BOOM PIVOT PIN.....	1	13	L69994	EXTEND CYL. PIN (BASE END) ..	1
04	L69492	BUSHING	2	14	L50519	3/4-10 NYLON INSERT NUT	8
05	L530004	5/16" CLIP RETAINING NUT.....	11	15	L69480	EXTEND MOUNT WELDMENT ...	1
06	L50230	5/16-18X3/4" BOLT	11	16	L50956	3/4-10X2-1/2" BOLT	8
07	L69866	REAR BOOM COVER.....	1	17	L70420	TRUNNION SHIM	1
08	L50056	5/16-18 FLARE NUT	5	18	L71527	BUSHING (EXT. CYL.BASE END) .	1
09	L510008	5/16-18X5/8" BOLT	5	19	L10465	ZERK 1/4-28 STRAIGHT.....	2
10	L71589	BOOM SIDE COVER	1				

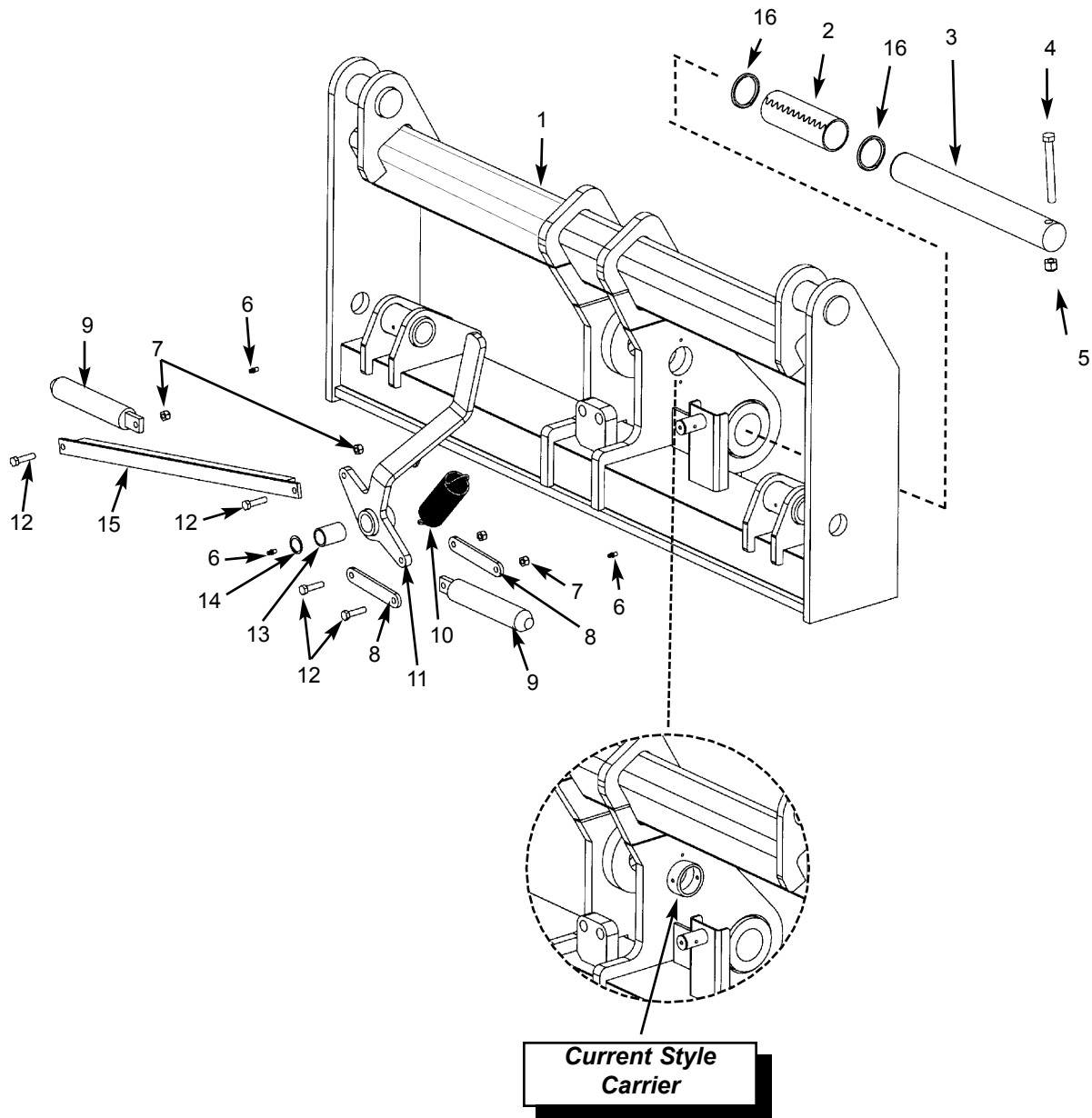
Inner Boom Hose Tray



Inner Boom Hose Tray

Ref. No.	Part No.	Description	Qty. Req.	Ref. No.	Part No.	Description	Qty. Req.
01	L71471	INNER TRAY WELDMENT	1	05	L520004	5/16-18 NYLON INSERT NUT	2
02	L50147	3/8" SPRING LOCK WASHER	1	06	L50143	5/16" SPRING LOCK WASHER	2
03	L50251	3/8-16X3/4" BOLT	1	07	L510008	5/16-18X5/8" BOLT	4
04	L61699	SLIDE PAD 2X3X1"	1	08	L69524	INNER TRAY BRACKET	1
					L68349	BRACKET (<i>weld on</i>)	

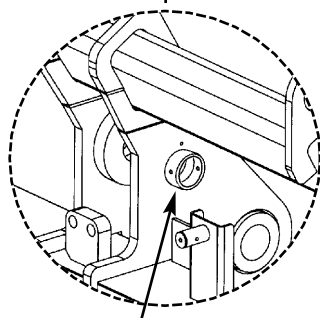
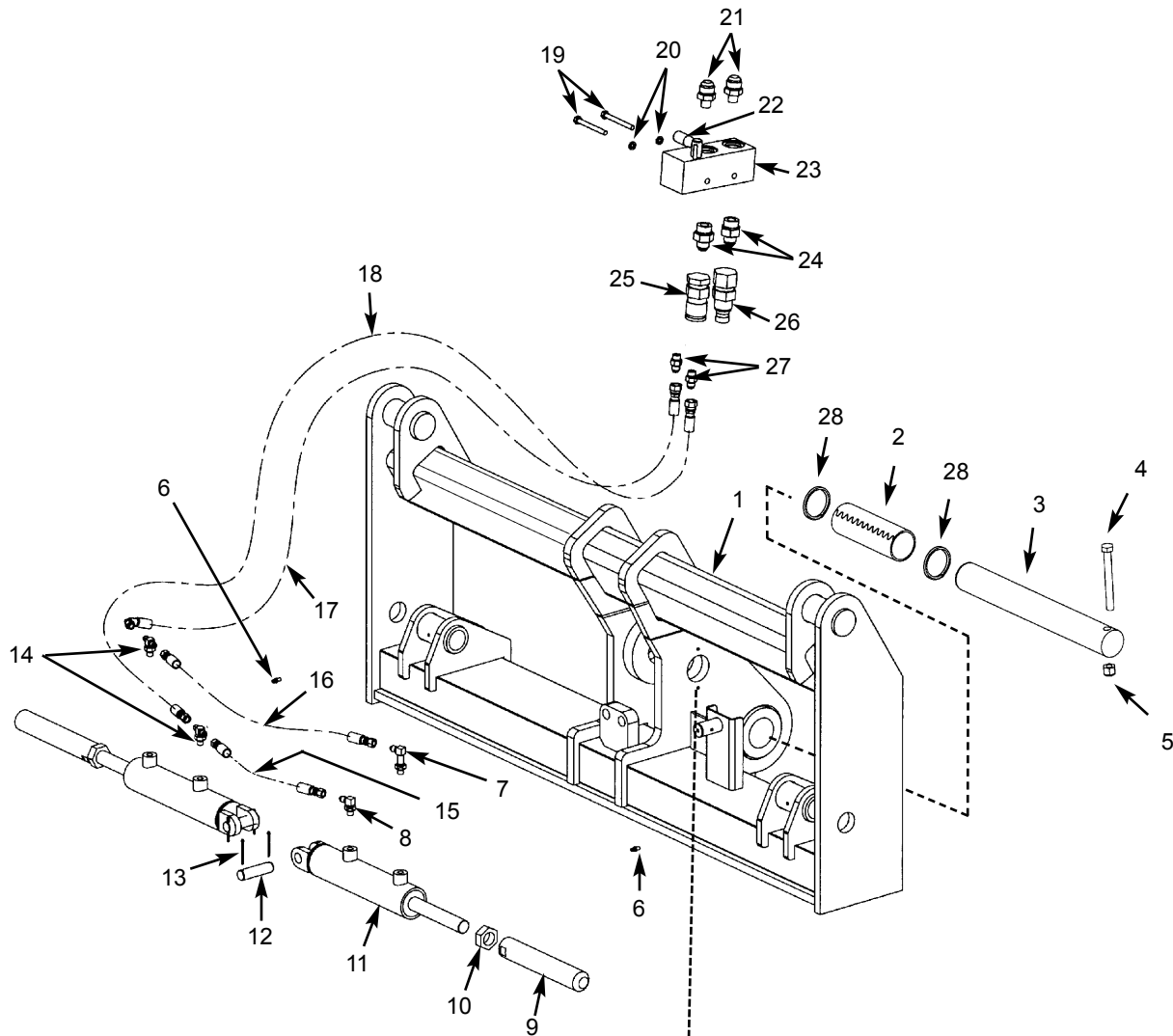
Manual DynacARRIER™



Manual DynacARRIER™

Ref. No.	Part No.	Description	Qty. Req.	Ref. No.	Part No.	Description	Qty. Req.
01		DYNACARRIER.....	1	10	L67448	LATCH SPRING	1
	430073	<i>Note a</i>		11	L67100	LATCH HANDLE WELDMENT	1
	L71591	<i>Note b</i>		12	L50261	3/8-16X1-1/2" BOLT	4
		<i>(Includes item 2)</i>		13	L67099	BRONZE BUSHING	1
02		BUSHING	1	14	L276632	1" RETAINING CLIP	1
	101231	<i>Note a</i>		15	L67107	LATCH COUPLER BAR	1
	L71541	<i>Note b</i>		16 ^a	101357	LIP SEAL.....	2
03	L71502	CARRIER PIVOT PIN	1			<i>(used with current style carrier only)</i>	
04	L50986	1/2-13X4-1/2" BOLT	1				
05	L520019	1/2-13 NYLON INSERT NUT	1	a		<i>S/N 65165 and Up; including 65149, 65155, 65158, 65161 thru 65163)</i>	
06	L10465	ZERK 1/4-28 STRAIGHT.....	4	b		<i>Thru S/N 65165; except for 65149, 65155, 65158, 65161 thru 65163)</i>	
07	L520005	3/8-16 NYLON INSERT NUT	4				
08	L67106	LOCK COUPLER BAR	2				
09	L67105	LOCK PIN WELDMENT	2				

Hydraulic DynacARRIER™

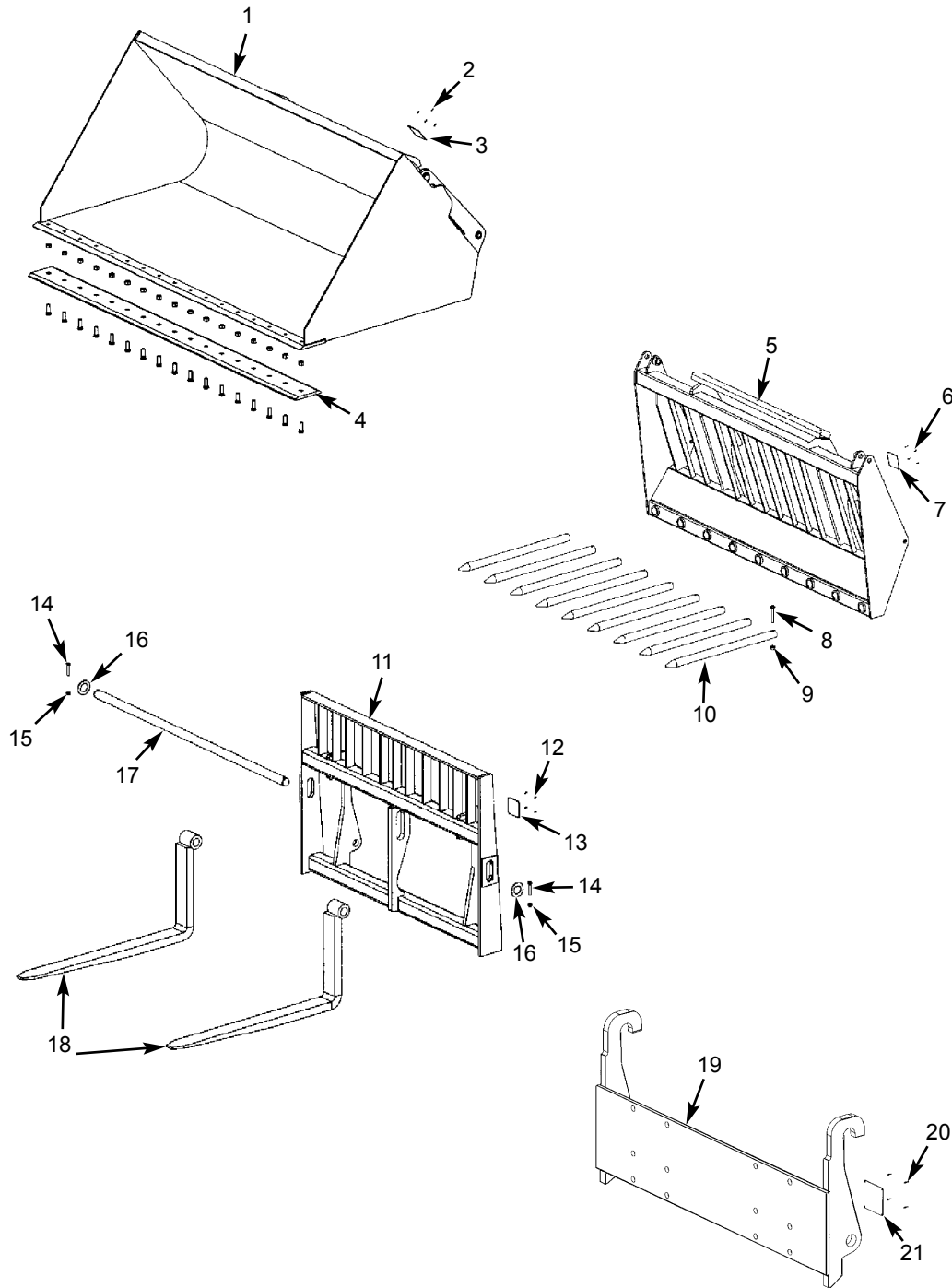


Current Style Carrier

Hydraulic DynacARRIER™

Ref. No.	Part No.	Description	Qty. Req.	Ref. No.	Part No.	Description	Qty. Req.
01	430073	DYNACARRIER.....	1	17	L71654	HOSE DS4/A6 33".....	1
	L71591	<i>Note a</i>		18	L71602	HOSE A4/A6 38".....	1
		<i>Note b</i>		19	L50895	5/16-18X3" BOLT.....	2
		<i>(Includes item 2)</i>		20	L50143	5/16" SPRING LOCK WASHER ...	2
02		BUSHING.....	1	21	P471351	ADAP -12ORM -10JICM STR.....	2
	101231	<i>Note a</i>		22	L500585	HANDLE.....	1
	L71541	<i>Note b</i>		23	L71647	ATTACHMENT REL. MANIFOLD ..	1
03	L71502	CARRIER PIVOT PIN.....	1			<i>(Includes item 22)</i>	
04	L50986	1/2-13X4-1/2" BOLT.....	1	24	L448013	ADAP -12ORM -8ORM STR.....	2
05	L520019	1/2-13 NYLON INSERT NUT.....	1	25	L71687	FEMALE COUPLER.....	1
06	L10465	1/4-28 ZERK, STR.....	3	26	L71686	MALE COUPLER.....	1
07	L445123	ADAP -4ORM -4JICM LONG 90...	1	27	L444002	ADAP -6ORM -6JICM STR.....	1
08	L51591	ADAP -4ORM -4JICM 90.....	2	28 ^a	101357	LIP SEAL.....	2
09	L71551	LOCK PIN WELDMENT.....	2			<i>(used with current style carrier only)</i>	
10	L50105	1" JAM NUT.....	2				
11	L71425	LOCK CYLINDER W/SPRING.....	2				
12	L71552	LOCK CYLINDER PIN.....	2				
13	L50605	COTTER PIN 1/8X1-1/2".....	4	<i>a</i>		<i>S/N 65165 and Up; including 65149, 65155, 65158, 65161 thru 65163)</i>	
14	L446038	ADAP -4ORM -4JICM TEE.....	1	<i>b</i>		<i>Thru S/N 65165; except for 65149, 65155, 65158, 65161 thru 65163)</i>	
15	L71600	HOSE A4/A4 10".....	1				
16	L71601	HOSE A4/A4 22".....	1				

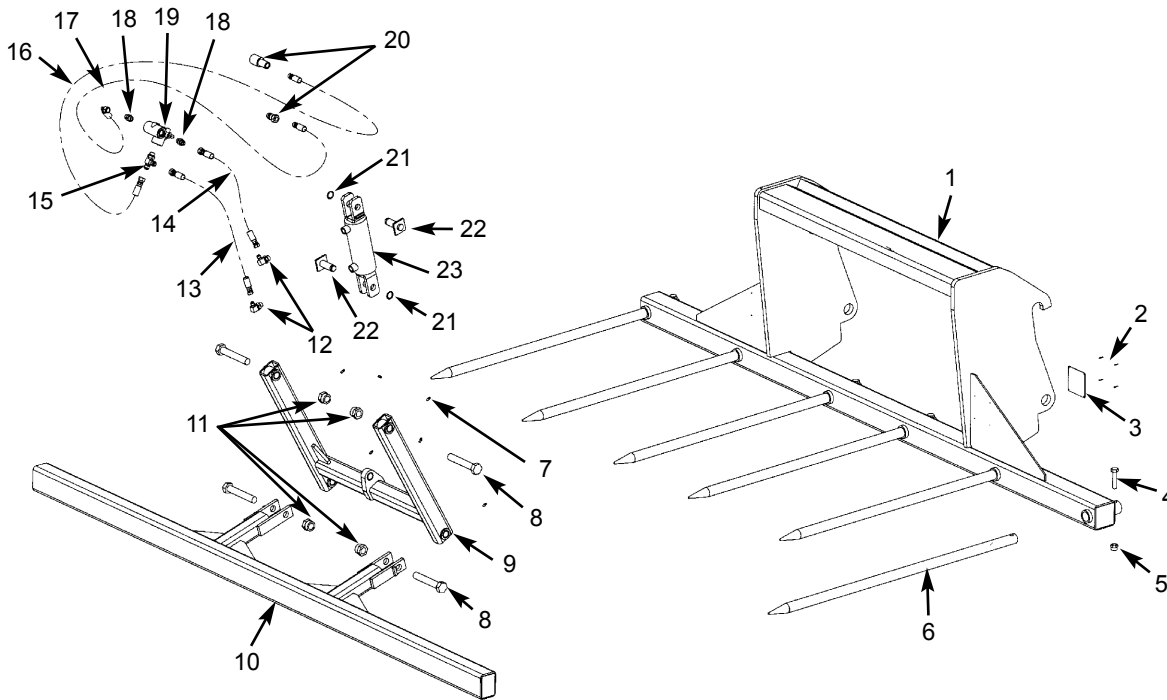
Dynacarrier™ Attachment Tools



DynacARRIER™ Attachment Tools

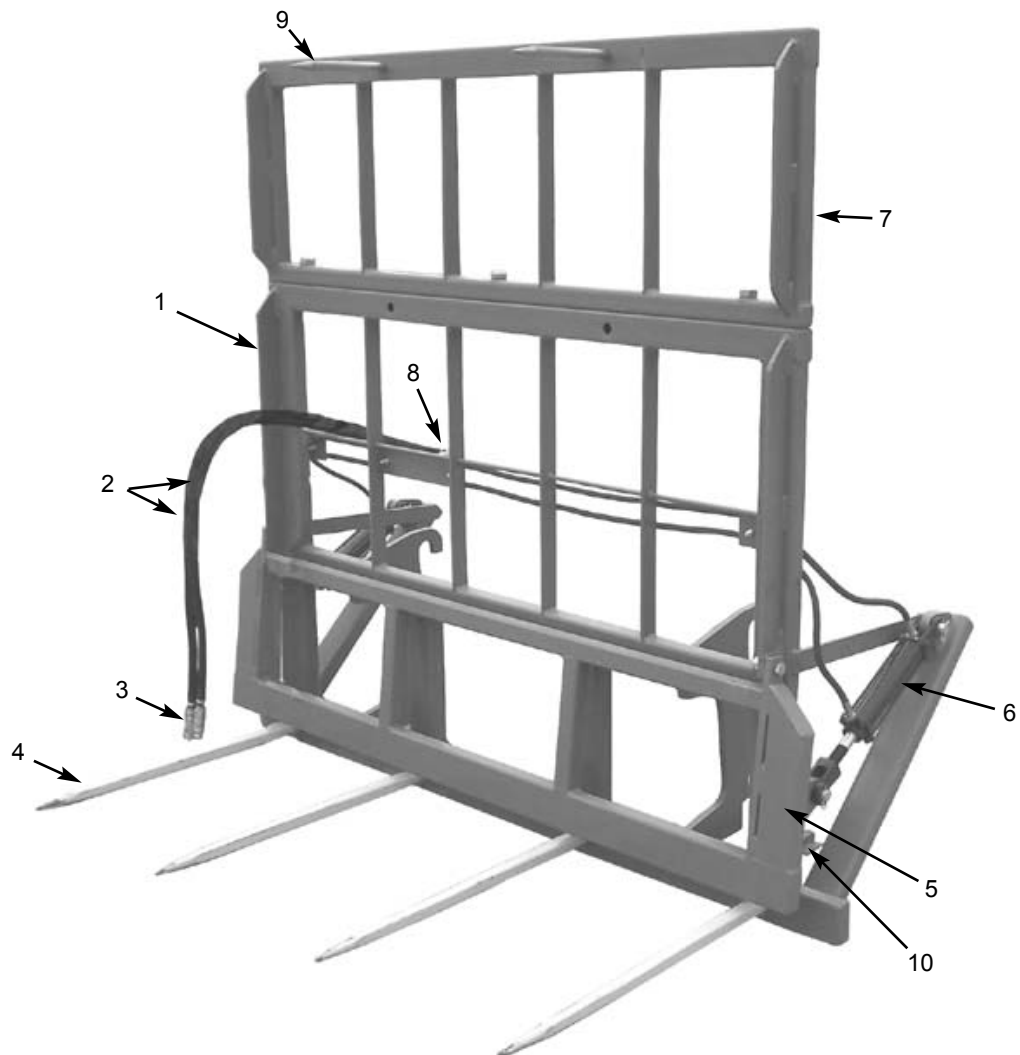
Ref. No.	Part No.	Description	Qty. Req.	Ref. No.	Part No.	Description	Qty. Req.
-- BUCKET --				-- FORK CARRIAGE --			
01	L500660	BUCKET 3.0 YARD	1	11	L500197	DYNACARRIER CARRIAGE-66" . . .	1
02	L42871	POP RIVET 1/8" DIA. X 5/16"	4	12	L42871	POP RIVET 1/8" DIA. X 5/16"	4
03	L66615	NAMEPLATE/CAPACITY	1	13	L66615	NAMEPLATE/CAPACITY	1
04	100341	CUTTING EDGE, 101-3/8" x 8"	1	14	L510003	1/2"X2-3/4" BOLT	2
	L50284	3/4-10X2-1/2" PLOW BOLT	17	15	L520019	1/2" NYLON INSERT NUT	2
	L50519	3/4-10 NYLON INSERT NUT	17	16	L400425	FORK SHAFT WASHER	2
04	L71704	CUTTING EDGE - 95 1/2" Long	1	17	L64561	FORK SHAFT 66"	1
	L50284	3/4-10X2-1/2" PLOW BOLT	9	18	L61001	FORK/48x2x2,BLOCK	2
	L50519	3/4-10 NYLON INSERT NUT	9		L61017	FORK/48x4x2,BRICK	2
-- FORK ATTACHMENT--					L66406	FORK/48x4x2.25, BRICK	2
05	L500211	UNIVERSAL FORK/WELDMENT	1		L40929	FORK/48x5x1.75,PALLET	2
06	L42871	POP RIVET 1/8" DIA. X 5/16"	4		L47263	FORK/48x5x2, PALLET	2
07	L66615	NAMEPLATE/CAPACITY	1		L47265	FORK/60x5x2, PALLET	2
08	L50154	5/8- X4" BOLT	9		L60961	FORK/60x6x2.25, PALLET	2
09	L520007	5/8- " NYLON INSERT NUT	9	-- ATTACHMENT ADAPTER --			
10	L67206	FORK TINE SHAFT	9	19	L500221	ADAPTER ATTACHMENT	1
				20	L42871	POP RIVET 1/8" DIA. X 5/16'	4
				21	L66615	NAMEPLATE/CAPACITY	1

Bale Fork with Push Off



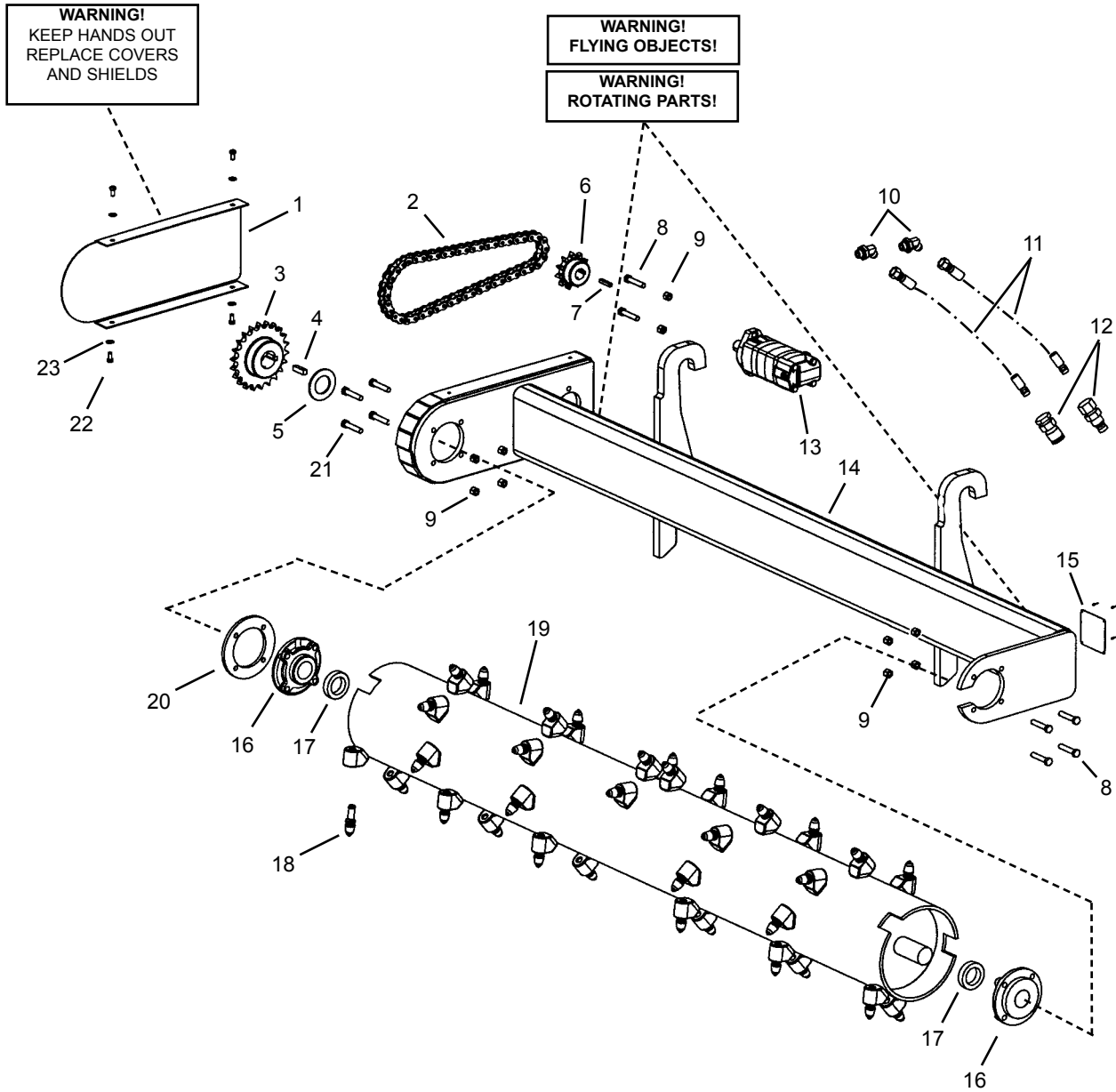
Ref. No.	Part No.	Description	Qty. Req.	Ref. No.	Part No.	Description	Qty. Req.
01	L500661	BALE CARRIER WELDMENT	1	14	L67727	HOSE A6/A8 18"	1
02	L42871	POP RIVET 1/8" DIA. X 5/16"	4	15	L64660	ADAP -8ORM 2X-8JICM TEE	1
03	L66615	NAMEPLATE/CAPACITY	1	16	L67729	HOSE B8/A8 58"	1
04	L510023	5/8-11X2-3/4" BOLT	6	17	L67730	HOSE B8/DM8 58"	1
05	L520007	5/8-11 NYLON INSERT NUT	6	18	L66878	ADAP -8ORM -8JICM STR w/Orf.	2
06	L71660	BALE FORK TINE	6	19	L82358	RELIEF VALVE	1
07	L10465	1/4-28 ZERK STR	6	20	L65273	QUICK COUPLER SET	1
08	L50685	1-8X6" BOLT	4	21	L276632	RETAINER RING	2
09	L67704	PUSH ARM WELDMENT	1	22	L276517	PIN	2
10	L67786	SLIDE ARM WELDMENT	1	23	L274620	CYLINDER	1
11	L50110	1-8 NYLON INSERT NUT	4				
12	L445005	ADAP -8ORM -6JICM 90 DEG	2				
13	L67728	HOSE A6/A8 25"	1				

Bale Fork with Push Off



Ref. No.	Part No.	Description	Qty. Req.	Ref. No.	Part No.	Description	Qty. Req.
01	102867	BALE CARRIER WELDMENT.....	1	06	L500767	CYLINDER, PUSH OFF	2
02	L67802	HOSE, -6	2		L500450	SEAL KIT, CYLINDER	2
03	L65273	QUICK COUPLER SET.....	1	07	102868	BULKHEAD EXTENSION	1
04		BALE FORK TINE		08	L60588	ADAP, -8JICF -6JICM REDUCER..	2
	L500765	C-2 TINE, 39"	4	09	102870	ANTI-ROLLOVER SPIKES	2
	L500766	C-2 TINE, 48"	4	10	102871	PARKING STAND	2
05	102869	PUSH ARM WELDMENT	1				

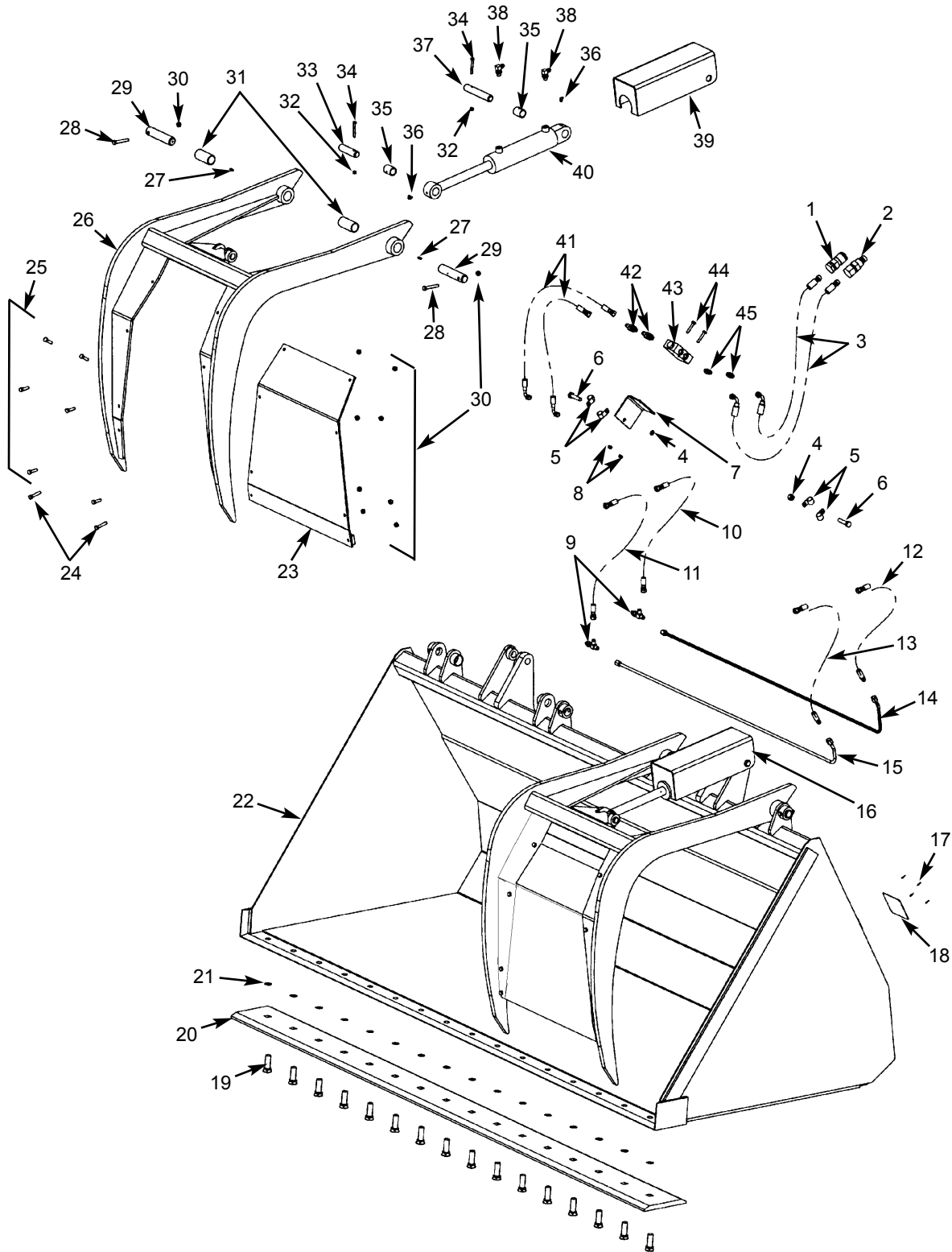
Bunker Buster™ Silage Mill



Bunker Buster™ Silage Mill

Ref. No.	Part No.	Description	Qty. Req.	Ref. No.	Part No.	Description	Qty. Req.
01	101367	CHAIN SHIELD	1	12	L65273	HYD. COUPLER SET	1
	163957	DECAL, SAFETY	1	13	101368	MOTOR, 24.0 CU. IN (<i>w reliefs</i>)....	1
		(<i>Warning Keep Hands Out</i>)		14	L500662	MOUNT, WELDMNT	1
02	100024	#80 ROLLER CHAIN	1		100524	DECAL (<i>Rotating Parts</i>).....	2
03	100080	SPRKT, 22 TEETH 2" BORE.....	1		100523	DECAL (<i>Flying Objects</i>).....	2
	100023	SPRKT, 22 TEETH 1-1/4" BORE ..	1	15	L66615	NAMEPLATE/CAPACITY	1
04	100104	KEY, 1/2" X 1/2" X 1-3/4".....	1		L42871	POP RIVET 1/8" DIA. X 5/16"	4
	090637	KEY, 5/16" X 5/16" X 1-3/4".....	1	16	100025	BEARING, 4 BOLT - 2" BORE.....	2
05	L400425	WASHER, FORK SHAFT	1	17	100105	SHAFT LOCK COLLAR 2"	2
06	100022	SPROCKET, 11 TEETH.....	1	18	081751	CONCRETE PIC	45
07	090637	KEY, 5/16" X 5/16" X 1-3/4".....	1	19	100081	DRUM, SILLAGE MILL WELDMNT. 1	
08	L50894	1/2-13X2-1/2" BOLT	8	20	101310	SPACER (<i>for bearing</i>)	1
09	L520019	1/2-13 NYLON INSERT NUT	10	21	L50292	1/2-13X3" BOLT.....	4
10	P471352	ADAP -10ORM -10JICM 45 DEG ..	2	22	L50251	3/8-16X3/4" BOLT	4
11	100069	HOSE -8 B8/A10 45".....	2	23	L50145	3/8" FLAT WASHER	4

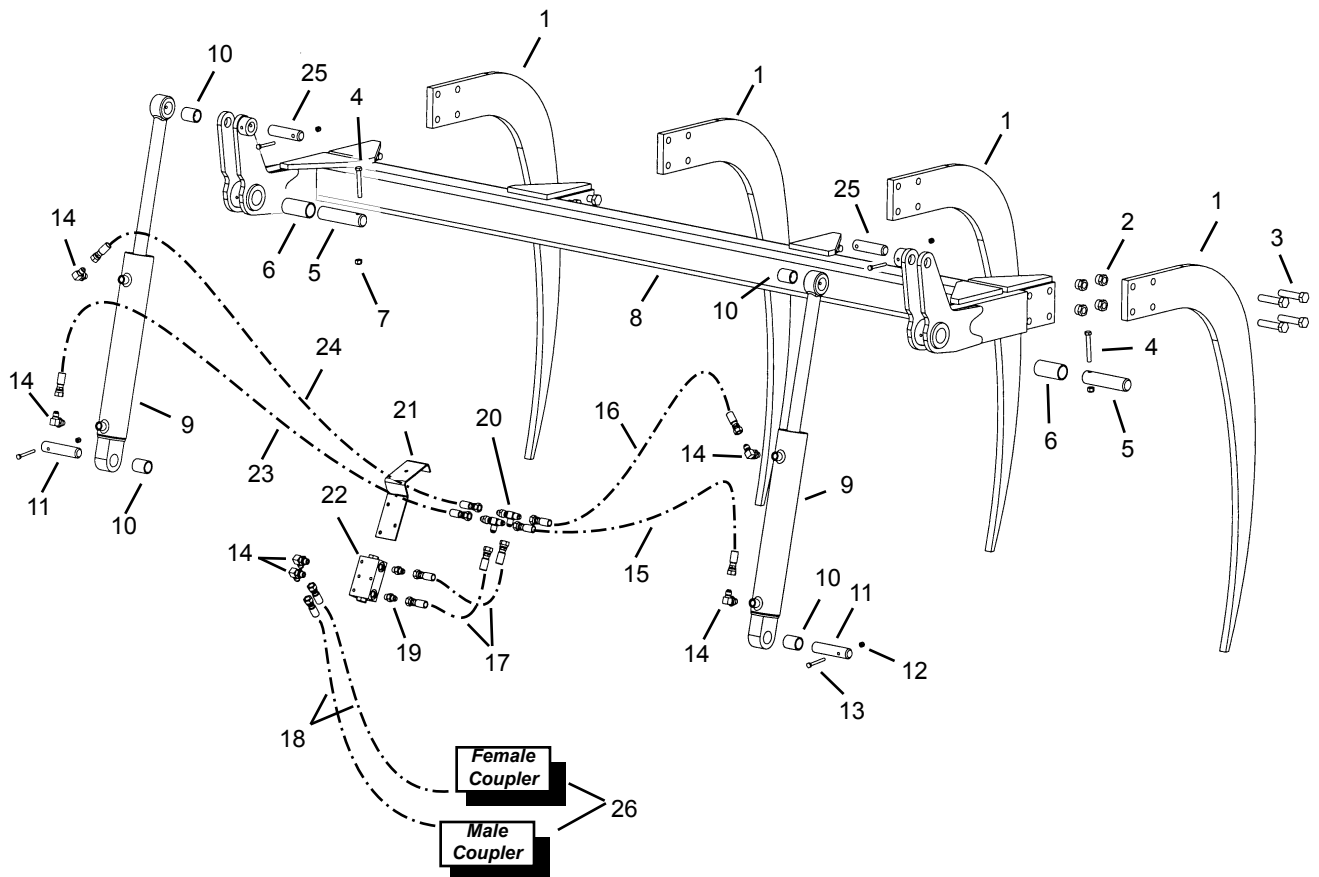
Bucket with Top Clamp



Bucket with Top Clamp

Ref. No.	Part No.	Description	Qty. Req.	Ref. No.	Part No.	Description	Qty. Req.
01	L71687	FEMALE FLAT COUPLER	1	24	L50836	3/8-16X1-3/4" BOLT	4
02	L71686	MALE FLAT COUPLER.	1	25	L50403	3/8-16X1-1/4" BOLT	12
03	L67802	HOSE DM6/B8 55"	2	26	L67740	GRAPPLE WELDMENT	2
04	L520019	1/2-13 NYLON INSERT NUT	2	27	L10465	ZERK, 1/4-28 STRAIGHT	4
05	L41770	VINYL COVERED CLAMP	4	28	L50371	3/8-16X2-1/2" BOLT	4
06	L50288	1/2-13X2" BOLT.	2	29	L67491	PIN, GRAPPLE PIVOT	4
07	L71708	CHECK VALVE BRACKET	1	30	L520005	3/8-16 NYLON INSERT NUT	20
08	L520004	5/16-18 NYLON INSERT NUT	2	31	L48806	BUSHING, 1-1/2" ODX1-1/4" ID	4
09	L67510	ADAP BULKHEAD -6JICM TEE.	2	32	L520003	1/4-20 NYLON INSERT NUT	4
10	L67609	HOSE A6/A6 33"	1	33	L67258	PIN, GRAPPLE CYL ROD END	2
11	L67608	HOSE A6/A6 41"	1	34	L50452	1/4-20X2-1/4" BOLT	4
12	L67611	HOSE A6/H6 30"	1	35	L63593	BUSHING, 1.01X1.25X1.5.	4
13	L67610	HOSE A6/H6 40"	1	36	L10057	ZERK, 1/4-28 90 DEGREE	4
14	L67577	TUBE, BULKHEAD OUTSIDE CYL 1		37	L67489	PIN, GRAPPLE CYL BUTT END.	2
15	L67576	TUBE, BULKHEAD INSIDE CYL	1	38	L445003	ADAP -6ORM -6JICM 90 DEG	4
16	L67494	CYLINDER COVER LEFTHAND.	1	39	L67495	CYLINDER COVER RIGHTHAND	1
17	L42871	POP RIVET 1/8" DIA X 5/16".	4	40	L67248	CYLINDER, LOG GRAPPLE.	2
18	L66615	NAME PLATE/CAPACITY	1	41	L69903	HOSE A6/DS6 17".	2
19	L50284	3/4-10X2-1/2" BOLT	16	42	L445004	ADAP -6ORM -6JICM 45 DEG	2
20	L69167	CUTTING EDGE	1	43	L71651	DUAL PO CHECK VALVE.	1
21	L50519	3/4-10 NYLON INSERT NUT	16	44	L50561	5/16-18X1-3/4" BOLT	2
22	L500190	CLOSED BUCKET 2.5 CU YD	1	45	L444002	ADAP -6ORM -6JICM STRAIGHT	2
23	L67749	GRAPPLE ENCLOSURE	2				

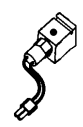
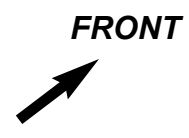
Manure Fork Clamp Assembly



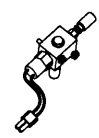
Manure Fork Clamp Assembly

Ref. No.	Part No.	Description	Qty. Req.	Ref. No.	Part No.	Description	Qty. Req.
01	L67168	GRAPPLE FORK, WELDMENT . . .	4	14	L445003	ADAP, -6ORM -6JICM 90DEG	6
02	L520007	5/8"-11 NYLON INSERT NUT	16	15	L67742	HOSE, -6 A6/A6 33"	1
03	L510023	5/8"-11X2-3/4" GR5 BOLT	16	16	L67741	HOSE, -6 A6/A6 21"	1
04	L50273	3/8"-16x2-3/4" BOLT	2	17	L67741	HOSE, -6 A6/A6 21"	2
05	L67259	PIN.	2	18	L71668	HOSE, -6 A6/B8 61"	2
06	L48806	BUSHING	2	19	L444002	ADAP, -6ORM -6JICM STR.	2
07	L520005	3/8"-16 NYLON LOCK NUT.	2	20	L67510	ADAP, -6 MI TEE BLKHEAD.	2
08	L67819	WELDMENT, GRAPPLE FORK . . .	1	21	L71677	BRACKET, CHECK VALVE	1
09	L67355	CYLINDER, GRAPPLE FORK	2	22	L71651	VALVE, DUAL PO CHECK	1
	L93922	SEAL KIT FOR CYLINDER	2	23	L67746	HOSE, -6 A6/A6 90"	1
10	L63593	BUSHING	4	24	L67745	HOSE, -6 A6/A6 75"	1
11	L67260	PIN.	2	25	L67258	PIN.	2
12	L520003	1/4"-20 NYLON INSERT NUT	4	26	L65273	COUPLER SET	1
13	L50452	1/4"-20X2-1/4" BOLT	4				

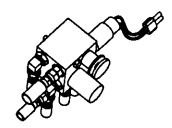
Hydraulic Valves/Manifolds/Pump



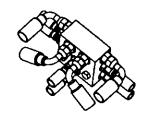
Differential Lock Valve



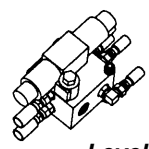
Brake Line Manifold



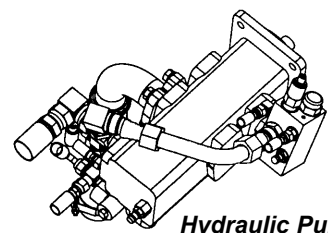
SAHR Valve
(Spring Applied Hydraulic Release)



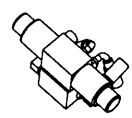
Steering/Brake Manifold



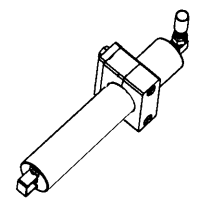
Level Valve



Hydraulic Pump
with STAC Valve
and Flow Divider



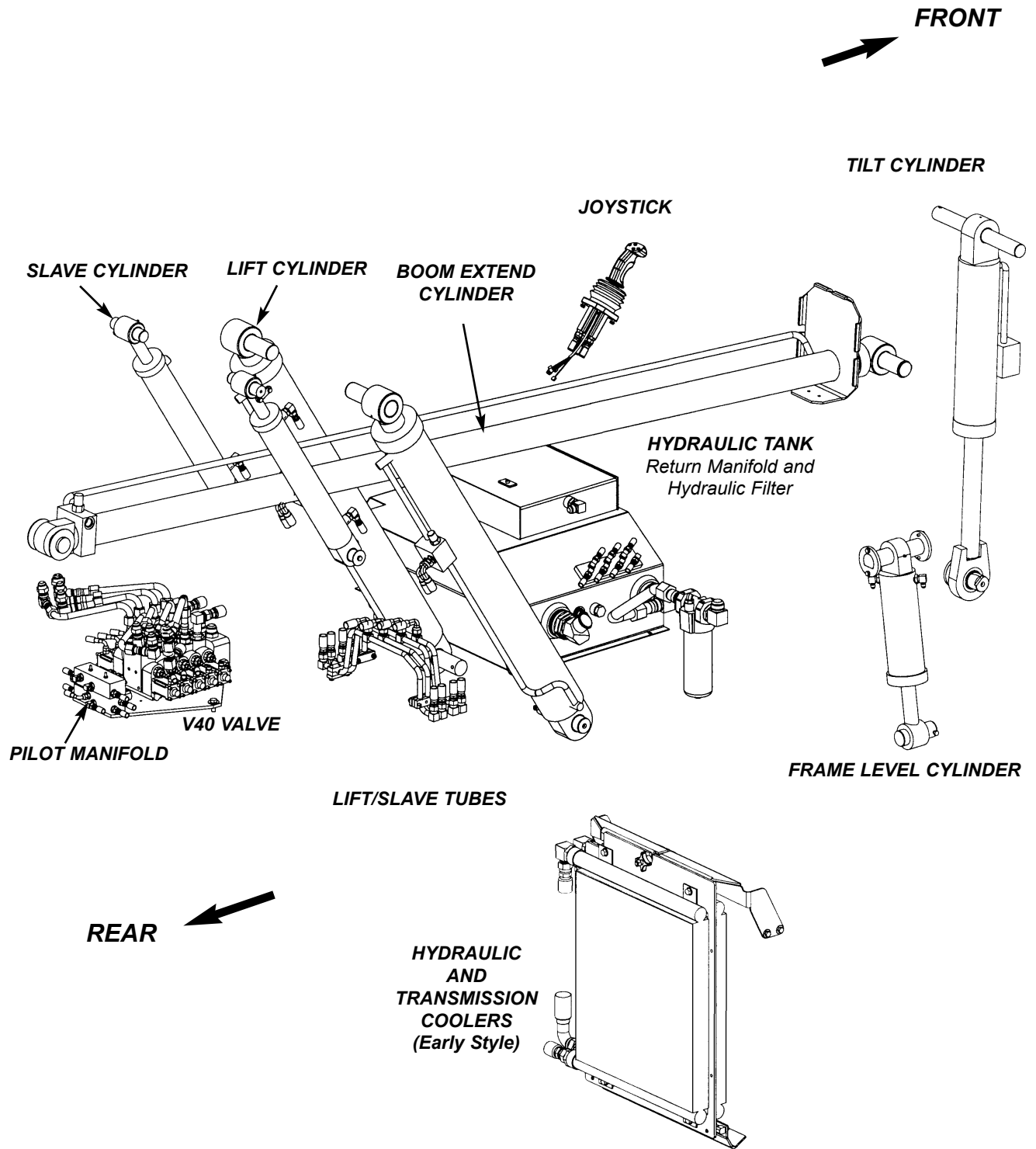
Steer Select Valve



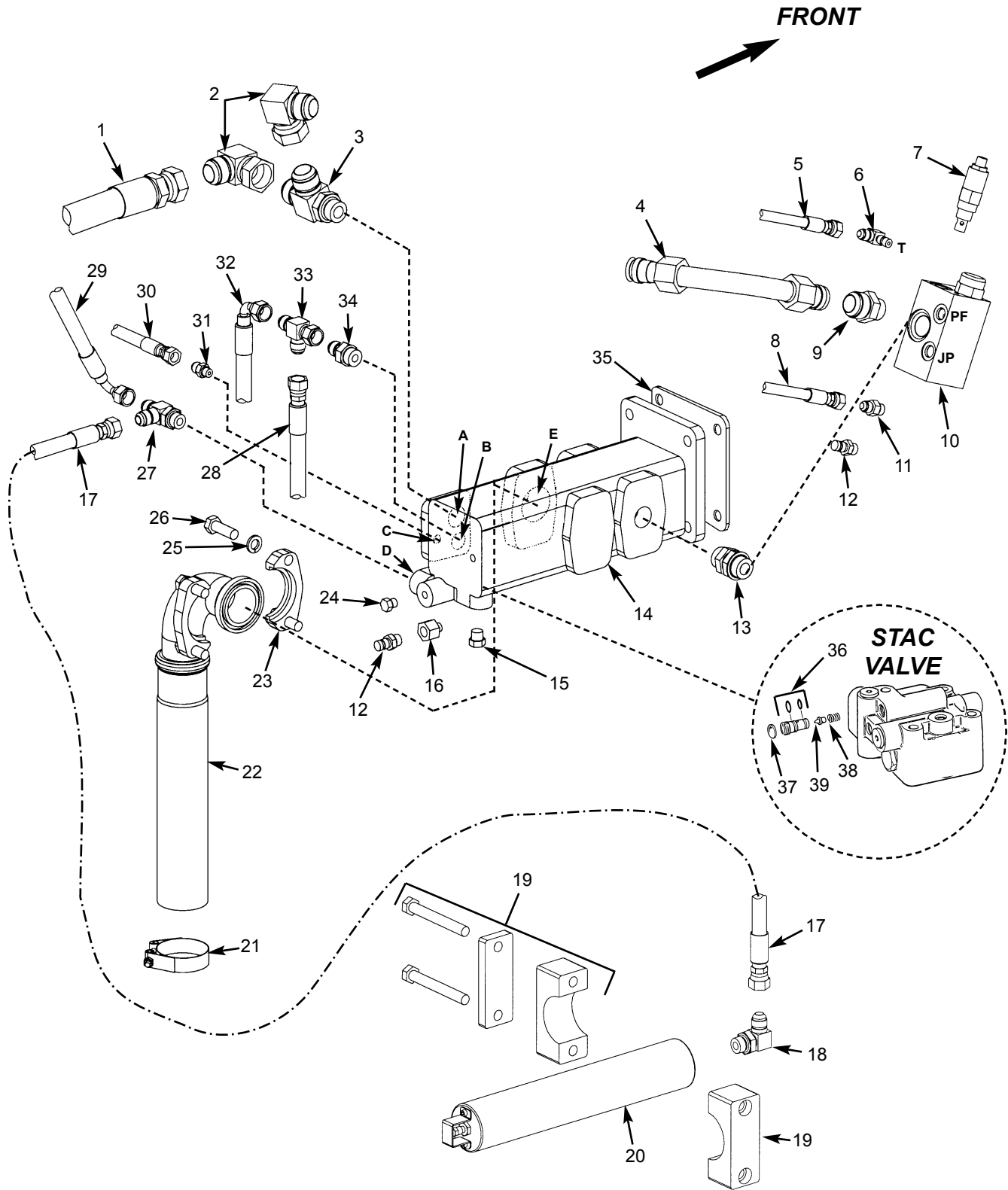
Accumulator



Hydraulic Cylinders/Components



Hydraulic Pump and Accumulator



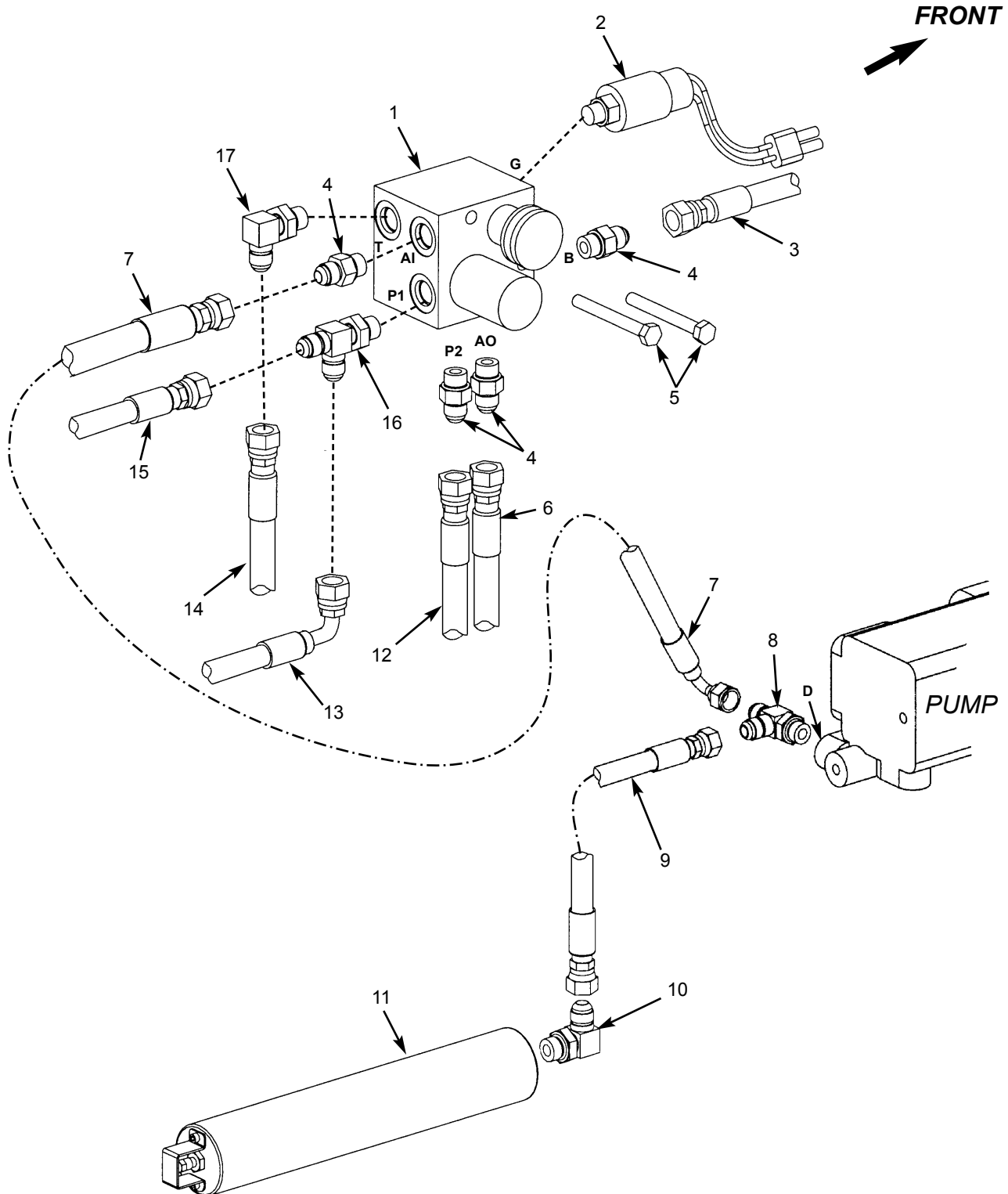
Hydraulic Pump and Accumulator

Ref. No.	Part No.	Description	Qty. Req.	Ref. No.	Part No.	Description	Qty. Req.
01	L69917	HOSE, -16 A16/D16 62"	1	25	L50152	1/2" LOCK WASHER.	4
02	L64856	ADAP, -16JICFS -16JICM 90 DEG . 2		26	P471549	1/2X1-1/2" GR8 BOLT	4
03	L443004	ADAP, -12ORM -16JICM R-TEE . . . 1		27	L64660	ADAP, -8ORM -8JICM R-TEE 1	
04	L69499	TUBE, PUMP OUT	1	28	L69932	HOSE, -6 A6/A8 46"	1
05	L69920	HOSE, -4 A6/A6 40"	1	29	L69931	HOSE, -6 A6/DS8 20"	1
06	L62842	ADAP, -4ORM -6JICM 90 DEG 1		30		HOSE.	1
07	L99927	RELIEF VALVE 350PSI	1		L69924	-4, A6/A6 22" (Note a) (shown)	
08	L70493	HOSE, -4 A6/A6 28"	1		L69903	-4, A6/DS6 17" (Note b and c)	
09	L444060	ADAP, -12ORM -16JICM STR. 1		31	L444012	ADAP, -4ORM -6JICM STR. 1	
10	L70229	FLOW DIVIDER.	1	32	L69934	HOSE, -6 A8/DS8 88" 1	
11	L444002	ADAP, -6ORM -6JICM STR. 1		33	L446026	ADAP, -8JICFS -8JICM R-TEE. . . . 1	
12	P471997	TEST PORT.	2	34	L444008	ADAP, -10ORM -8JICM STR. 1	
13	L51972	ADAP, -12 ORM -12ORM STR 1		35	L70589	PUMP GASKET.	1
14	L69571	HYD. PUMP W/STAC VALVE 1		36	L500348	CORE PLUG POPET ASY. 1	
15	L446048	PLUG -6ORM	1	37	L500347	CORE PLUG CAP.	1
16	L444080	ADAP, -4ORM -6ORF STR 1		38	L500349	POPET SPRING	1
17	L70267	HOSE, -6 A8/A8 17"	1	39	L500430	POPET.	1
18	L445002	ADAP, -8ORM -8JICM 90 DEG 1					
19	L70188	CLAMP KIT 2.37" ID	1				
20	L70033	ACCUMULATOR, PISTON TYPE 1					
21	L70465	2-1/2" T-BOLT BAND CLAMP 1		a		S/N 65178 and up	
22	L69543	HOSE, -32 MS32/NONE 16" 1		b		Thru S/N65177	
23	L71271	SPLIT FLANGE KIT -32 1		c		Hose is not shown, but has a 90 degree hose end that connects directly to item #31.	
		(Includes items 25 and 26)					
24	L60986	PLUG -4ORM	1				

Hose Locator

Ref No.	From Port	To Port
01	HYDRAULIC PUMP "A"	V40 VALVE "IN"
05	FLOW DIVIDER "T"	HYDRAULIC TANK RETURN MANIFOLD
08	FLOW DIVIDER "PF"	SAHR VALVE "P1"
17	HYDRAULIC PUMP "D"	ACCUMULATOR
22	HYDRAULIC PUMP "E"	HYDRAULIC TANK "SUCTION"
28	HYDRAULIC PUMP "B"	LEVEL VALVE "P"
29	HYDRAULIC PUMP "D"	SAHR VALVE "AI"
30	HYDRAULIC PUMP "C"	LEVEL VALVE "LSP"
32	HYDRAULIC PUMP "B"	STEER MOTOR "P" (IN CAB)

SAHR and Accumulator Charge Valve



SAHR and Accumulator Charge Valve

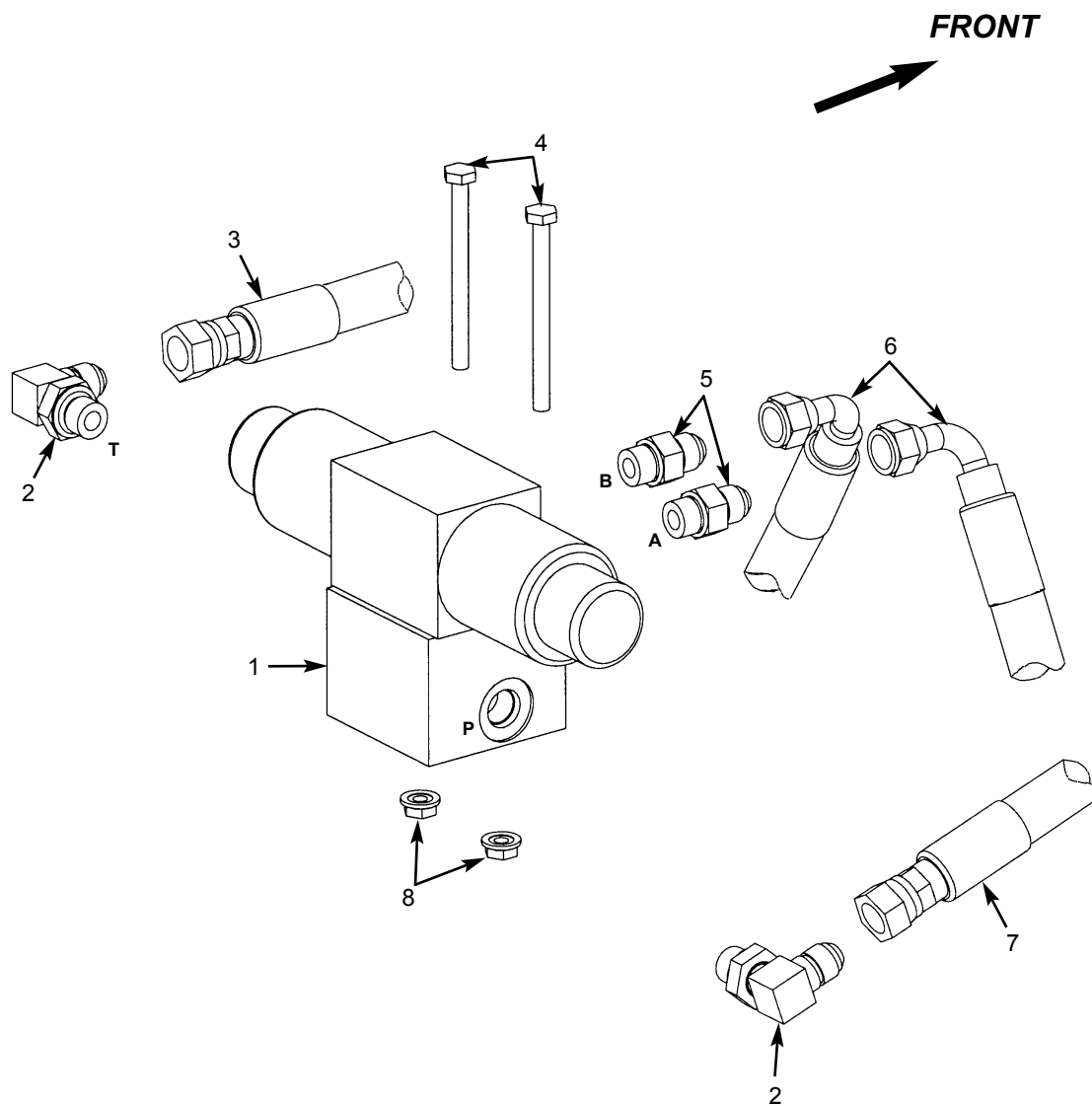
Ref. No.	Part No.	Description	Qty. Req.	Ref. No.	Part No.	Description	Qty. Req.
01	L69395	SAHR / ACCUM CHARGE VALVE . . .	1	11	L70033	ACCUMULATOR, PISTON TYPE . . . 1 (315 psi)	1
02	L70008	BRAKE PRESSURE SWITCH	1	12	L69930	HOSE, -4 A6/A6 46"	1
03		HOSE	1	13	L71360	HOSE, -4 A6/DS6 98"	1
	101317	HOSE, -4 A6/DS6 50" (Note a)	1	14	L69928	HOSE, -4 A6/A6 25"	1
	L69919	HOSE, -4 A6/A4 62" (Note b)	1	15	L69931	HOSE, -6 A6/DS8 20"	1
04	L444002	ADAP, -6ORM -6JICM STR.	4	16	L81233	ADAP, -6ORM -6JICM R-TEE	1
05	L50545	5/16-18X2-3/4" BOLT	2	17	L445003	ADAP, -6ORM -6JICM 90 DEG	1
06	L69926	HOSE, -4 A6/DS6 100"	1				
07	L69931	HOSE, -6 A6/DS8 20"	1	a	<i>S/N 65167 and Up</i>		
08	L64660	ADAP, -8ORM -8JICM R-TEE	1	b	<i>Thru S/N 65166</i>		
09	L70267	HOSE, -6 A8/A8 17"	1				
10	L445002	ADAP, -8ORM -8JICM 90 DEG	1				

Hose Locator

Ref No.	From Port	To Port
03 ^a	SAHR "B"	"A" BRAKE PRESSURE INTENSIFIER
03 ^b	SAHR "B"	STEER/BRAKE MANIFOLD "BOTTOM FRONT"
06	SAHR "AO"	BRAKE VALVE "P" (IN CAB)
07	SAHR "AI"	HYDRAULIC PUMP "BOTTOM TEE"
09	HYDRAULIC PUMP "D"	ACCUMULATOR
12	SAHR "P2"	JOYSTICK "P"
13 ^c	SAHR "P1" (BOTTOM TEE)	^c PILOT MANIFOLD "P"
14	SAHR "T"	HYDRAULIC TANK RETURN MANIFOLD
15	SAHR "P1"	FLOW DIVIDER "PF"

a Hose routing for machines equipped with later axles. (Unit S/N 65167 and up)
b Hose routing for machines equipped with early axles. (Unit S/N thru 65166)
c Use "P" port on upper pilot manifold when unit is equipped with second auxiliary hydraulics

Steer Select Valve



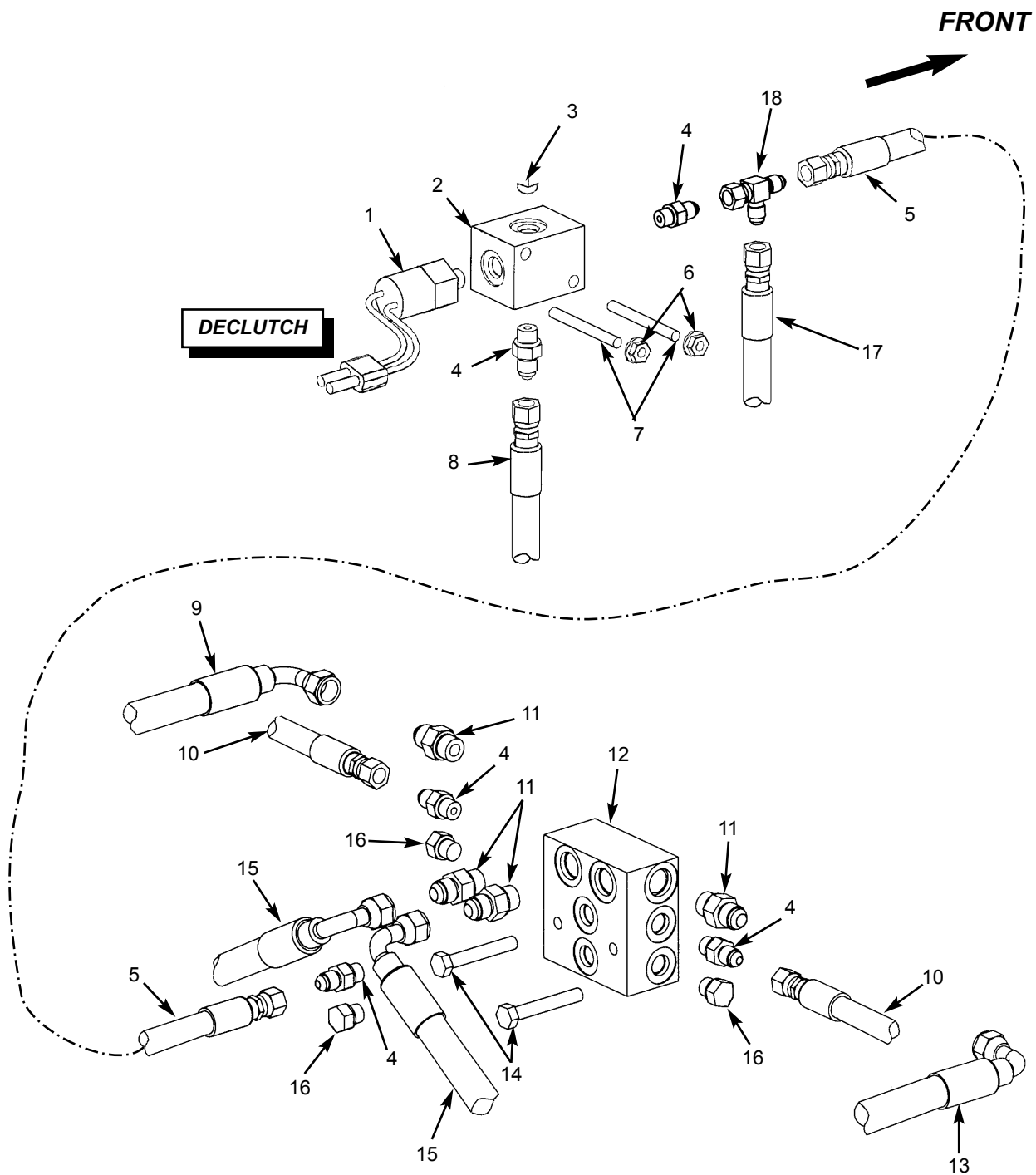
Steer Select Valve

Ref. No.	Part No.	Description	Qty. Req.	Ref. No.	Part No.	Description	Qty. Req.
01	L69747	STEER SELECT VALVE	1	05	L444002	ADAP -6ORM -6JICM STR.	2
02	L445003	ADAP -6ORM -6JICM 90 DEG	2	06	L69939	HOSE -6 A8/DS6 20"	2
03	L69937	HOSE -6 A6/DS6 100"	1	07	L69935	HOSE -6 A8/A6 108"	1
04	L50535	1/4-20X3" BOLT	2	08	L50051	1/4-20 NUT	2

Hose Locator

Ref No.	From Port	To Port
03	STEER SELECT VALVE "T"	STEER/BRAKE MANIFOLD "TOP LEFT SIDE"
06	STEER SELECT VALVE "B"	STEER CYLINDER (REAR AXLE-LEFT SIDE)
06	STEER SELECT VALVE "A"	STEER CYLINDER (REAR AXLE-RIGHT SIDE)
07	STEER SELECT VALVE "P"	STEER MOTOR "L" (IN CAB)

Steer/Brake Lines Manifolds
(S/N 65167 and Up)



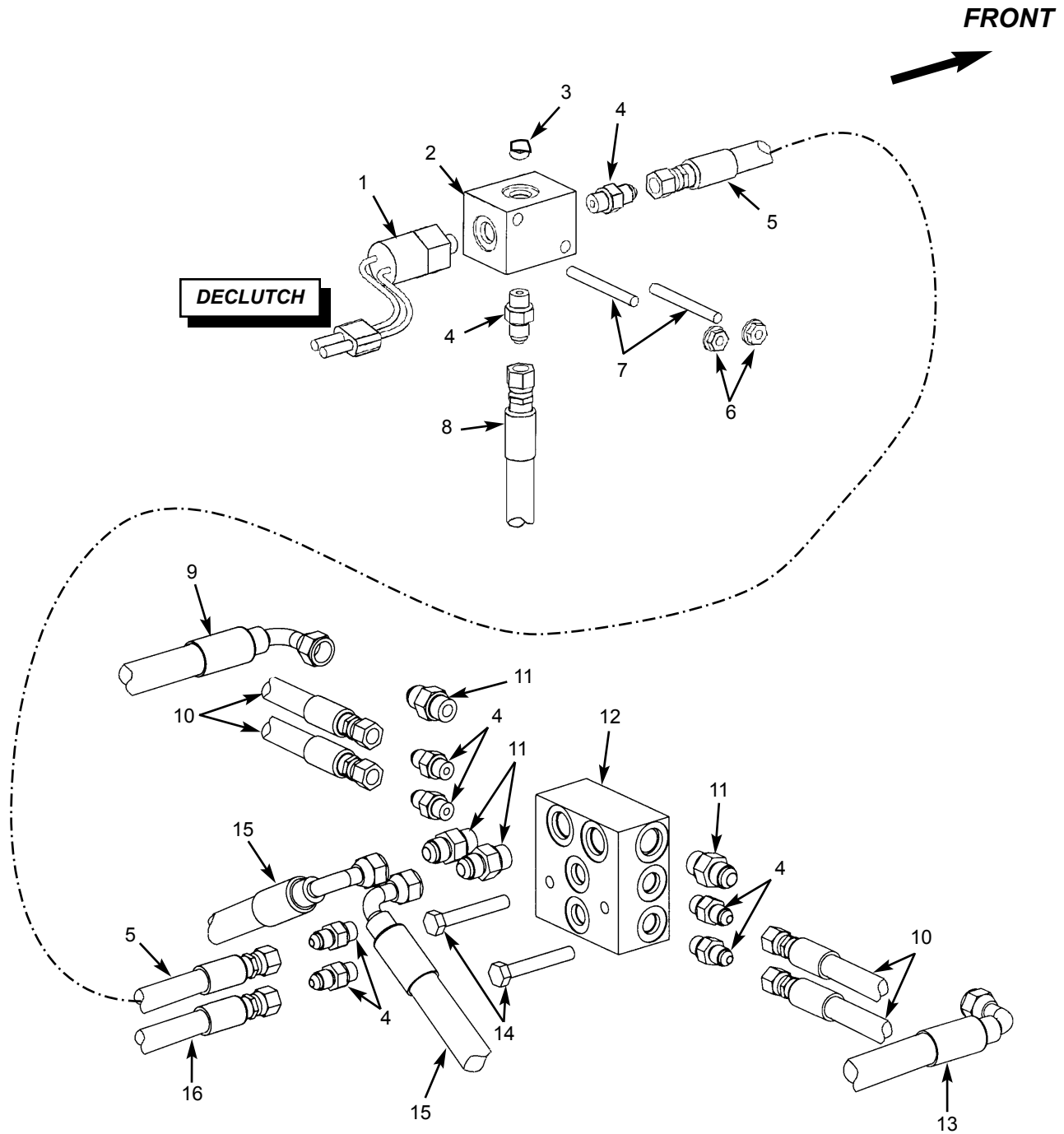
**Steer/Brake Lines Manifolds
(S/N 65167 and Up)**

Ref. No.	Part No.	Description	Qty. Req.	Ref. No.	Part No.	Description	Qty. Req.
01	L70415	PRESSURE SWITCH (Declutch) . . .	1	12	L70514	STEER/BRAKE BLOCK	1
02	L70428	BRAKE LINES MANIFOLD	1	13	L69936	HOSE, -6 A8/DS6 100"	1
03	L60986	ADAP, -4ORM PLUG	1	14	L50835	5/16-18X2" BOLT	2
04	L444005	ADAP, -4ORM -4JICM STR.	5	15	L69939	HOSE, -6 A8/DS6 20"	2
05	L69942	HOSE, -4 A4/A4 72"	1	16	L60986	PLUG, -4 ORM.	3
06	L50051	1/4-20 FLANGE NUT.	2	17	101320	HOSE, -4 A4/A4 45"	1
07	L50876	1/4-20X2-1/4" STUD	2	18	L446044	ADP, -4 SWIVEL TEE	1
08	L69929	HOSE, -4 A6/A4 102"	1				
09	L69937	HOSE, -6 A6/DS6 100"	1				
10	L69940	HOSE, -4 A4/NS4 20"	2				
11	L444002	ADAP, -6ORM -6JICM STR.	4				

Hose Locator

Ref No.	From Port	To Port
05	BRAKE LINES MANIFOLD (SIDE)	STEER/BRAKE MANIFOLD "CENTER FRONT"
08	BRAKE LINES MANIFOLD (LOWER)	BRAKE VALVE "B" (IN CAB)
09	STEER/BRAKE MANIFOLD (UPPER LEFT SIDE)	STEER SELECT VALVE "T"
10	STEER/BRAKE MANIFOLD (TOP/SIDE PORTS)	FRONT AXLE BRAKE TOP PORTS
13	STEER/BRAKE MANIFOLD (UPPER RIGHT SIDE)	STEER MOTOR "R" (IN CAB)
15	STEER/BRAKE MANIFOLD (UPPER FRONT)	STEER CYLINDER (FRONT AXLE BOTH SIDES)
17	BRAKE LINES MANIFOLD TEE	BULKHEAD TEE ABOVE REAR AXLE

Steer/Brake Lines Manifolds
(Thru S/N 65166)



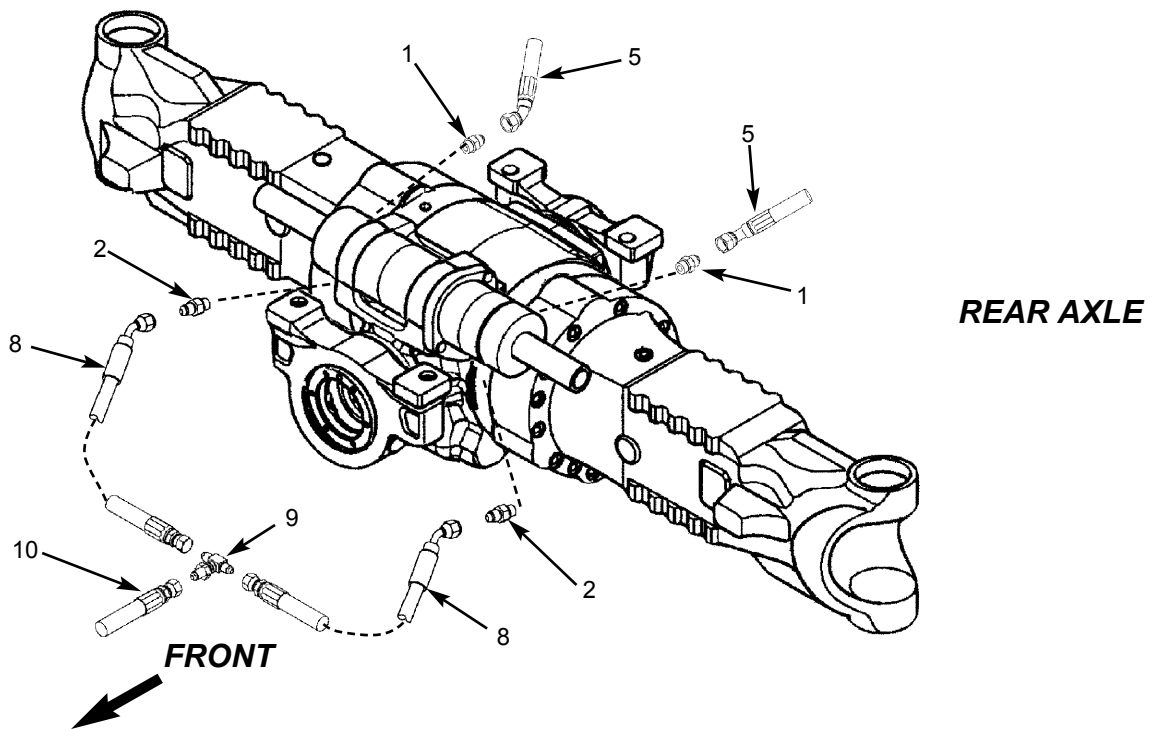
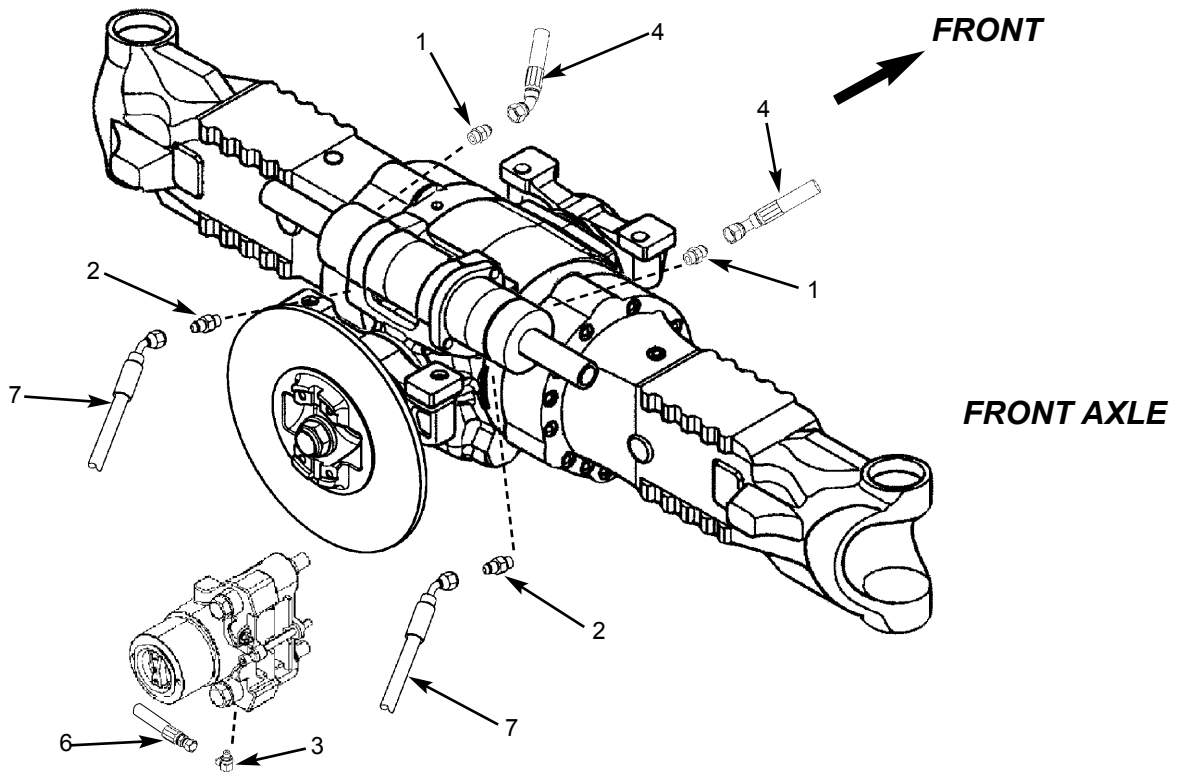
**Steer/Brake Lines Manifolds
(Thru S/N 65166)**

Ref. No.	Part No.	Description	Qty. Req.	Ref. No.	Part No.	Description	Qty. Req.
01	L70415	PRESSURE SWITCH (Declutch) . . .	1	09	L69937	HOSE, -6 A6/DS6 100"	1
02	L70428	BRAKE LINES MANIFOLD	1	10	L69940	HOSE, -4 A4/NS4 20"	4
03	L60986	ADAP, -4ORM PLUG	1	11	L444002	ADAP, -6ORM -6JICM STR.	4
04	L444005	ADAP, -4ORM -4JICM STR.	8	12	L70514	STEER/BRAKE BLOCK	1
05	L69942	HOSE, -4 A4/A4 72"	1	13	L69936	HOSE, -6 A8/DS6 100"	1
06	L50051	1/4-20 FLANGE NUT.	2	14	L50835	5/16-18X2" BOLT	2
07	L50876	1/4-20X2-1/4" STUD	2	15	L69939	HOSE, -6 A8/DS6 20"	2
08	L69929	HOSE, -4 A6/A4 102"	1	16	L69919	HOSE, -4 A6/A4 62"	1

Hose Locator

Ref No.	From Port	To Port
05	BRAKE LINES MANIFOLD (SIDE)	STEER/BRAKE MANIFOLD "CENTER FRONT"
08	BRAKE LINES MANIFOLD (LOWER)	BRAKE VALVE "B" (IN CAB)
09	STEER/BRAKE MANIFOLD (UPPER LEFT SIDE)	STEER SELECT VALVE "T"
10	STEER/BRAKE MANIFOLD (TOP/SIDE PORTS)	FRONT AXLE BRAKE TOP PORTS
	STEER/BRAKE MANIFLD. (BOTTOM/SIDE PORTS)	FRONT AXLE BRAKE BOTTOM PORTS
13	STEER/BRAKE MANIFOLD (UPPER RIGHT SIDE)	STEER MOTOR "R" (IN CAB)
15	STEER/BRAKE MANIFOLD (UPPER FRONT)	STEER CYLINDER (FRONT AXLE BOTH SIDES)
16	STEER/BRAKE MANIFOLD (LOWER FRONT)	SAHR VALVE "B"

Axle Steer and Brake Lines
(S/N 65167 and Up)



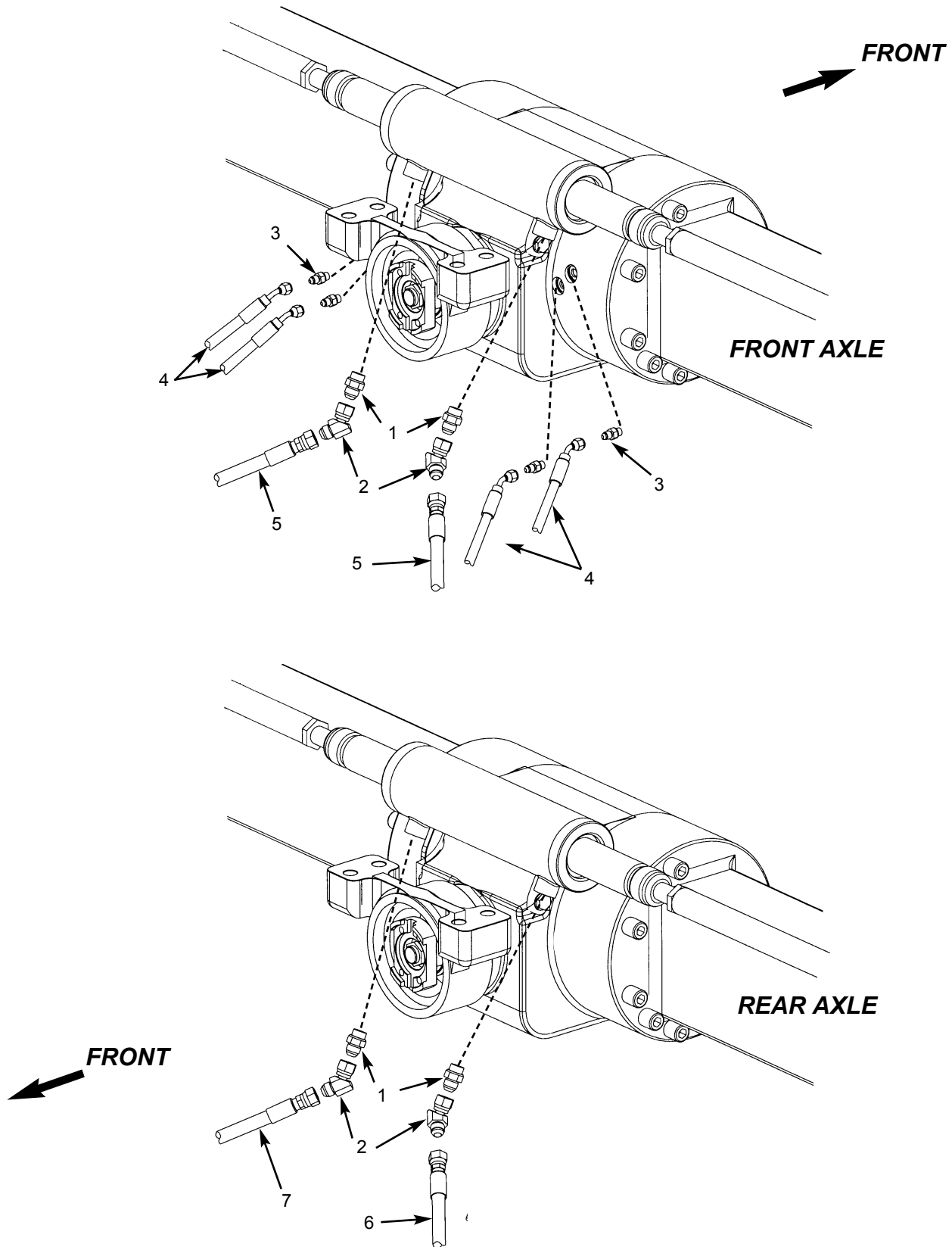
**Axle Steer and Brake Lines
(S/N 65167 and Up)**

Ref. No.	Part No.	Description	Qty. Req.	Ref. No.	Part No.	Description	Qty. Req.
01	L444004	ADP/-8ORM-8JICM STR.....	4	09	L446042	TEE, BULKHEAD -4JICM	1
02	L65753	ADP, -6ORM -4JICM STR.....	4	10	101320	HOSE, -4 A4/A4 45"	1
03	L62842	ADP -4ORM-6JICM 90	1				
04	101319	HOSE -6 A6/NS8 40".....	2	<i>a</i>	<i>Some early units with the 26.48 axles used a smaller hose -4 (1/4"). If your unit currently has this smaller hose, you should order P/N 430177 Hose kit which includes hose P/N #101692 and (2) L62842 adapters (item #3)</i>		
05	101319	HOSE -6 A6/NS8 40".....	2				
06 ^a	101692	HOSE -6 A6/DS6 104".....	1				
07	L69940	HOSE -4 A4/NS4 108".....	2				
08	L69940	HOSE -4 A4/NS4 108".....	2				

Hose Locator

Ref No.	From Port	To Port
04	STEER CYLINDER FRONT AXLE BOTH SIDES	STEER/BRAKE MANIFOLD (TOP FRONT PORTS)
05	STEER CYLINDER REAR AXLE (LEFT SIDE)	STEER SELECT VALVE "B"
	STEER CYLINDER REAR AXLE (RIGHT SIDE)	STEER SELECT VALVE "A"
06	FRONT AXLE PARK BRAKE CALIPER	HYDRAULIC PRESSURE INTENSIFIER
07	FRONT AXLE BRAKE PORTS (BOTH SIDES)	STEER/BRAKE MANIFOLD (MIDDLE/SIDE PORTS)
08	REAR AXLE BRAKE PORTS (BOTH SIDES)	BULKHEAD TEE ABOVE REAR AXLE
10	BULKHEAD TEE ABOVE REAR AXLE	TEE ON THE BRAKE LINES MANIFOLD

Axle Steer and Brake Lines
(Thru S/N 65166)



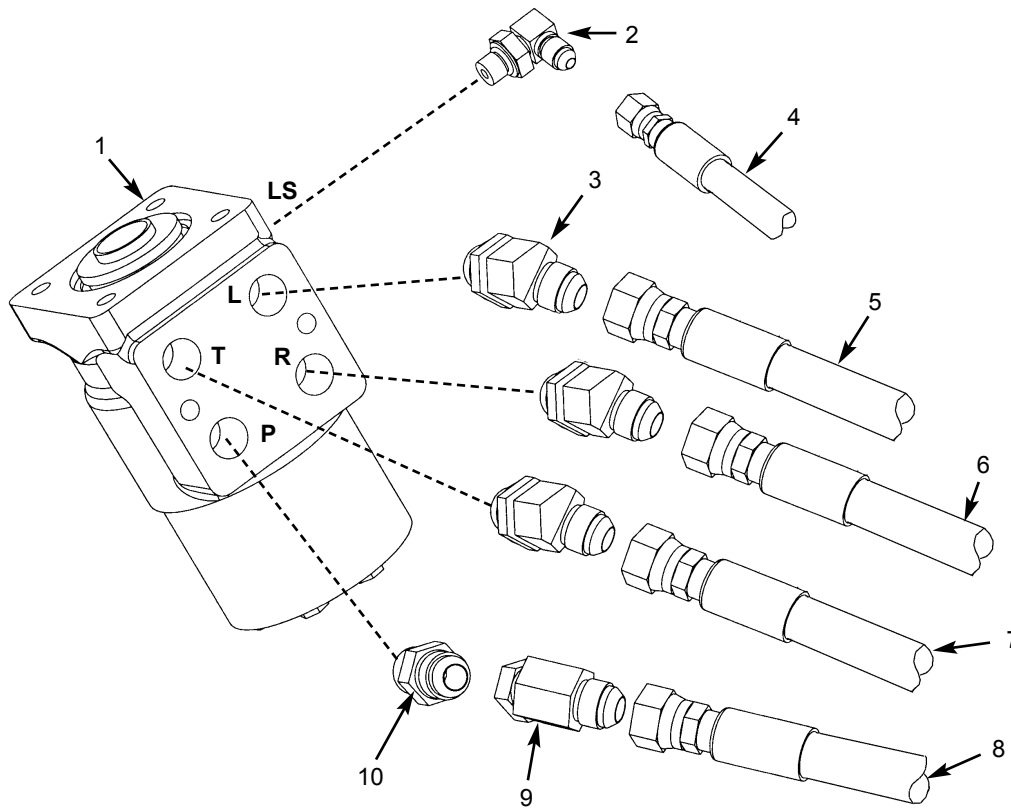
Axle Steer and Brake Lines
(Thru S/N 65166)

Ref. No.	Part No.	Description	Qty. Req.	Ref. No.	Part No.	Description	Qty. Req.
01	L69576	ADAP M18X1.5ORM - 8JICM STR.	4	05	L69939	HOSE -6 A8/DS6 20".....	2
02	L446024	ADAP -8JICFS -8JICM SWVL 45 . .	4	06	L69937	HOSE -6 A6/DS6 100".....	1
03	L69577	ADAP M10X1ORM -4JICM STR. . .	4	07	L69935	HOSE -6 A8/A6 108".....	1
04	L69940	HOSE -4 A4/NS4 20".....	4				

Hose Locator

Ref No.	From Port	To Port
04	FRONT AXLE TOP BRAKE PORTS FRONT AXLE BOTTOM BRAKE PORTS	STEER/BRAKE MANIFOLD (TOP/SIDE PORTS) STEER/BRAKE MANFLD. (BOTTOM/SIDE PORTS)
05	STEER CYLINDER FRONT AXLE BOTH SIDES	STEER/BRAKE MANIFOLD (TOP FRONT PORTS)
06	STEER CYLINDER REAR AXLE (LEFT SIDE)	STEER SELECT VALVE "B"
07	STEER CYLINDER REAR AXLE (RIGHT SIDE)	STEER SELECT VALVE "A"

Steer Motor



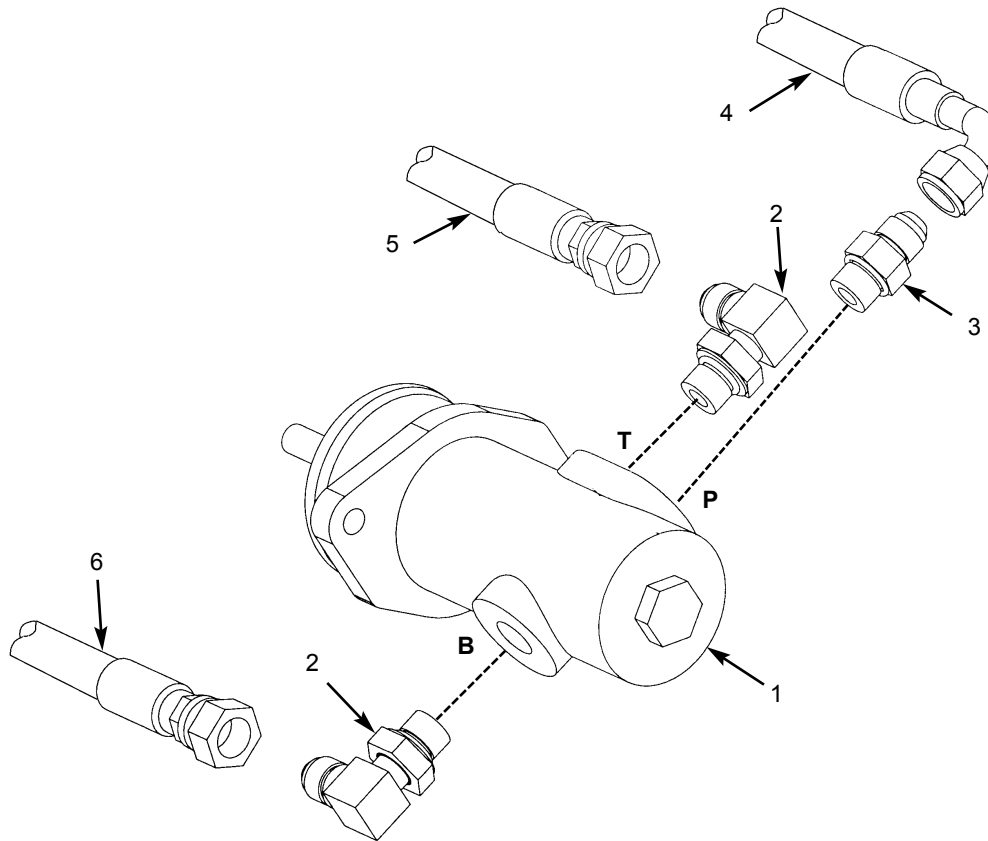
Steer Motor

Ref. No.	Part No.	Description	Qty. Req.	Ref. No.	Part No.	Description	Qty. Req.
01 ^a		STEER MOTOR ASY.	1	07	L69933	HOSE -6 A8/A6 60"	1
	101881	<i>Note b</i>		08	L69934	HOSE -6 A8/DS8 88"	1
	L500968	SEAL KIT	1	09	L446024	ADAP -8JICFS -8JICM SWVL	1
	L69128	<i>Note c</i>		10	L64524	CHECK VALVE	1
	L99930	SEAL KIT	1				
02	L51591	ADAP -4ORM -4JICM 90 DEG	1	<i>a</i>	<i>Field replacement of parts other than seals is not recommended.</i>		
03	L445013	ADAP --80RM -8JICM 45 ELBOW .	3	<i>b</i>	<i>S/N 65177 and up</i>		
04	L69925	HOSE -4 A4/A6 100"	1	<i>c</i>	<i>Thru S/N 65176</i>		
05	L69935	HOSE -6 A8/A6 108"	1				
06	L69936	HOSE -6 A8/A6 100"	1				

Hose Locator

Ref No.	From Port	To Port
04	STEER MOTOR "LS" (IN CAB)	LEVEL VALVE "LSB"
05	STEER MOTOR "L" (IN CAB)	STEER SELECT VALVE "P"
06	STEER MOTOR "R" (IN CAB)	STEER/BRAKE MANIFOLD (TOP RIGHT SIDE)
07	STEER MOTOR "T" (IN CAB)	HYDRAULIC TANK RETURN MANIFOLD
08	STEER MOTOR "P" (IN CAB)	HYDRAULIC PUMP (Ref item #32 on Hyd. Pump)

Brake Valve

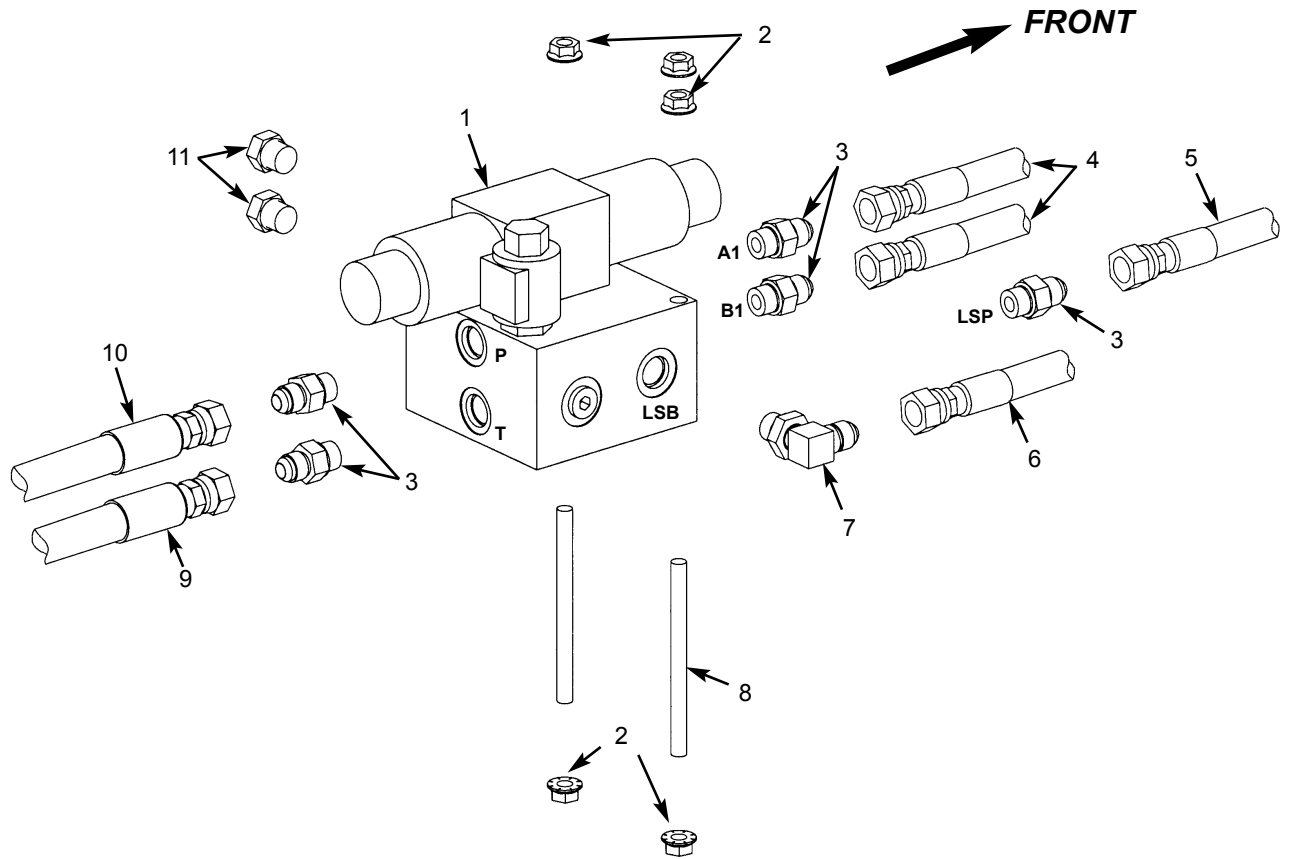


Ref. No.	Part No.	Description	Qty. Req.	Ref. No.	Part No.	Description	Qty. Req.
01	L69572	BRAKE MODULATING VALVE	1	04	L69926	HOSE -4 A6/DS6 100"	1
02	L445003	ADAP -6ORM -6JICM 90 DEG	2	05	L69927	HOSE -4 A6/A6 81"	1
03	L444002	ADAP -6ORM -6JICM STR	1	06	L69929	HOSE -4 A6/A4 102"	1

Hose Locator

Ref No.	From Port	To Port
04	BRAKE VALVE "P"	SAHR VALVE "AO"
05	BRAKE VALVE "T"	HYDRAULIC TANK RETURN MANIFOLD
06	BRAKE VALVE "B"	BRAKE MANIFOLD (BOTTOM PORT)

Level Valve

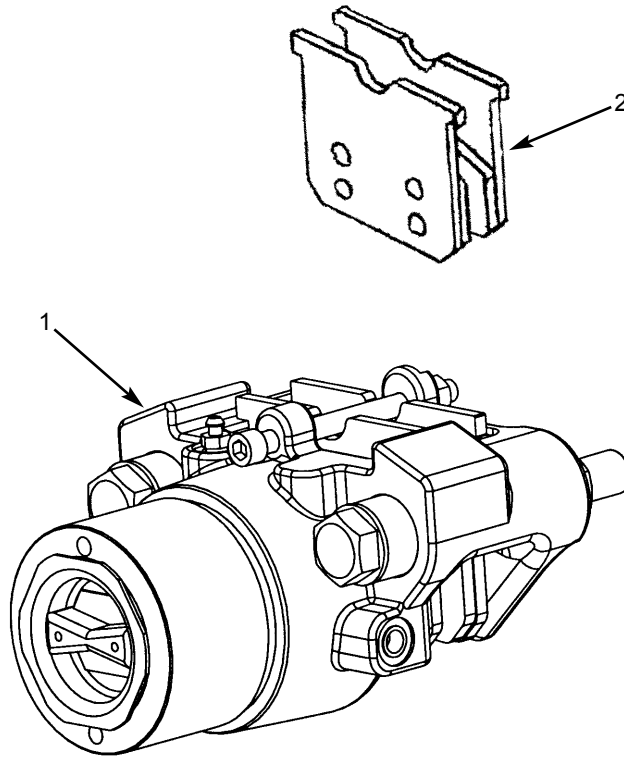


Ref. No.	Part No.	Description	Qty. Req.	Ref. No.	Part No.	Description	Qty. Req.
01	L70230	LEVEL VALVE	1	07	L445003	ADAP -6ORM -6JICM 90 DEG	1
02	L50556	5/16-18 NUT	5	08	L50679	5/16-18X4" STUD	2
03	L444002	ADAP -6ORM -6JICM STR	5	09	L69922	HOSE, -6 A6/A6 50"	1
04	L69921	HOSE, -4 A6/A6 126"	2	10	L69932	HOSE, -6 A6/A8 46"	1
05	L69924	HOSE, -4 A6/A6 22"	1	11	L446048	PLUG -6ORM	2
06	L69925	HOSE, -4 A6/DS6 100"	1				

Hose Locator

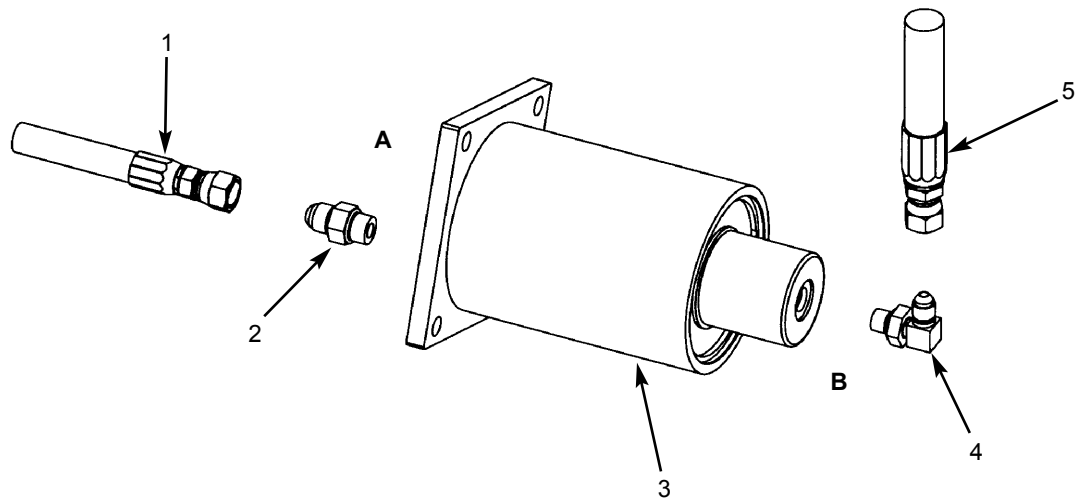
Ref No.	From Port	To Port
04	LEVEL VALVE "A1"	LEVEL CYLINDER (TOP OUTSIDE FITTING)
04	LEVEL VALVE "B1"	LEVEL CYLINDER (TOP CABSIDE FITTING)
05	LEVEL VALVE "LSP"	HYDRAULIC PUMP "C" (Refer to page 176)
06	LEVEL VALVE "LSB"	STEER MOTOR "LS" (IN CAB)
09	LEVEL VALVE "T"	HYDRAULIC TANK RETURN MANIFOLD
10	LEVEL VALVE "P"	HYDRAULIC PUMP "B" (Refer to page 176)

Park Brake Caliper Breakdown
 (For units S/N 65167 and Up)



Ref. No.	Part No.	Description	Qty. Req.
01	101308	COMPLETE ASSEMBLY.....	1
02	L500941	BRAKE PAD KIT	1
03	L500942	URETHANE SPRING KIT	1
		<i>(not shown)</i>	
04	L500940	OVERHAUL KIT <i>(not shown)</i>	1
		<i>(includes items 2 and 3)</i>	

Park Brake Intensifier
(For units S/N 65167 and Up)



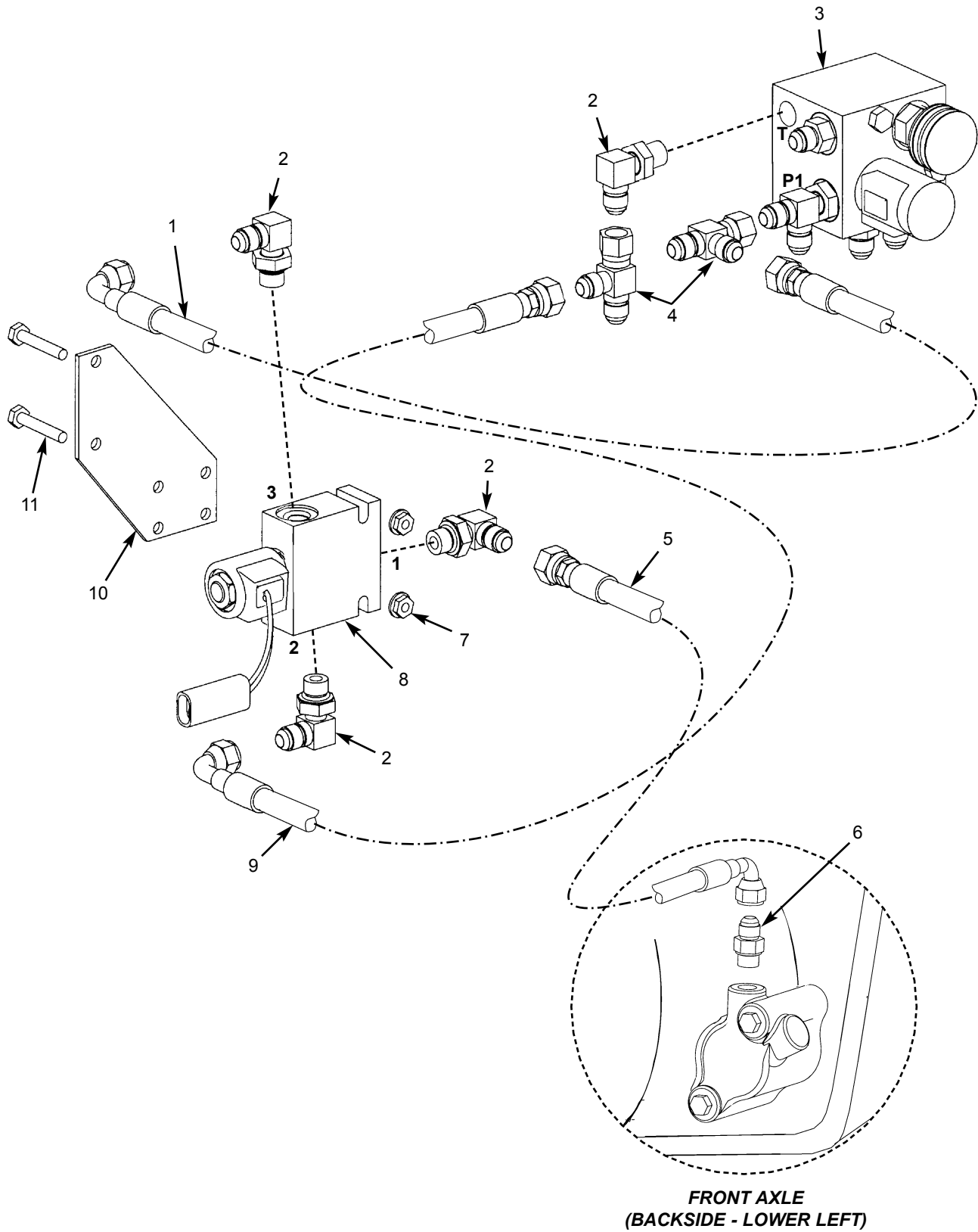
Ref. No.	Part No.	Description	Qty. Req.	Ref. No.	Part No.	Description	Qty. Req.
01	101317	HOSE, -4 A6/DS6 50"	1	05 ^a	101692	HOSE -6 A6/DS6 104"	1
02	L444002	ADAP -4ORM -4JICM STR	1				
03	101383	PARK BRAKE INTENSIFIER	1				
04	L62842	ADAP -4ORM -6JICM 90 DEG	1				

a Some early units with the 26.48 axles used a smaller hose -4 (1/4"). If your unit currently has this smaller hose, you should order P/N 430177 Hose kit which includes hose P/N #101692 and (2) L62842 adapters (item #3)

Hose Locator

Ref No.	From Port	To Port
01	PARK BRAKE INTENSIFIER "A"	SAHR VALVE "B"
05	PARK BRAKE INTENSIFIER "B"	FRONT AXLE PARK BRAKE CALIPER

Differential Lock Valve Group
(Only on units thru S/N 65166)



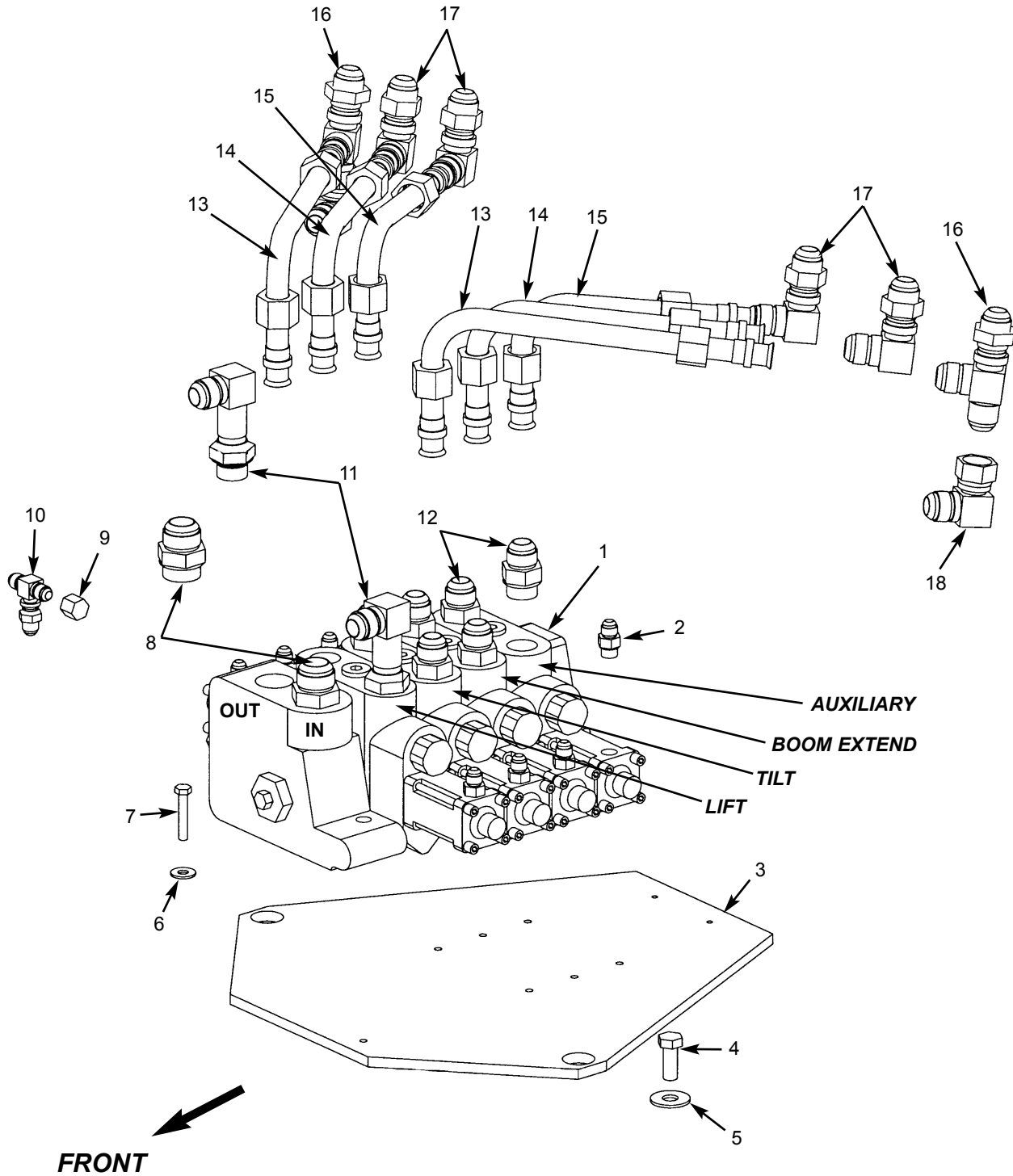
Differential Lock Valve Group
(Only on units thru S/N 65166)

Ref. No.	Part No.	Description	Qty. Req.	Ref. No.	Part No.	Description	Qty. Req.
01	L69904	HOSE, -4 A6/DS6 20"	1	07	L50051	1/4-20 FLANGE NUT.	2
02	L445003	ADAP -6ORM -6JICM 90 DEG	4	08	L71733	VALVE	1
03	L69395	SAHR VALVE.	1	09	L69904	HOSE, -4 A6/DS6 20"	1
04	L446049	ADAP -6 SWIVEL TEE	2	10	L71749	BRACKET, VALVE MOUNT.	1
05	100100	HOSE, -4 A6/DS6 90"	1	11	L50364	1/4-20X1-1/2" BOLT	2
06	L444002	ADAP -6ORM -6JICM STR	5				

Hose Locator

Ref No.	From Port	To Port
01	DIFF. LOCK VALVE PORT "3"	SAHR - SWIVEL TEE ON PORT "P1"
05	DIFF. LOCK VALVE PORT "1"	FRONT AXLE (BACKSIDE - LOWER LEFT)
09	DIFF. LOCK VALVE PORT "2"	SAHR - SWIVEL TEE ON PORT "T"

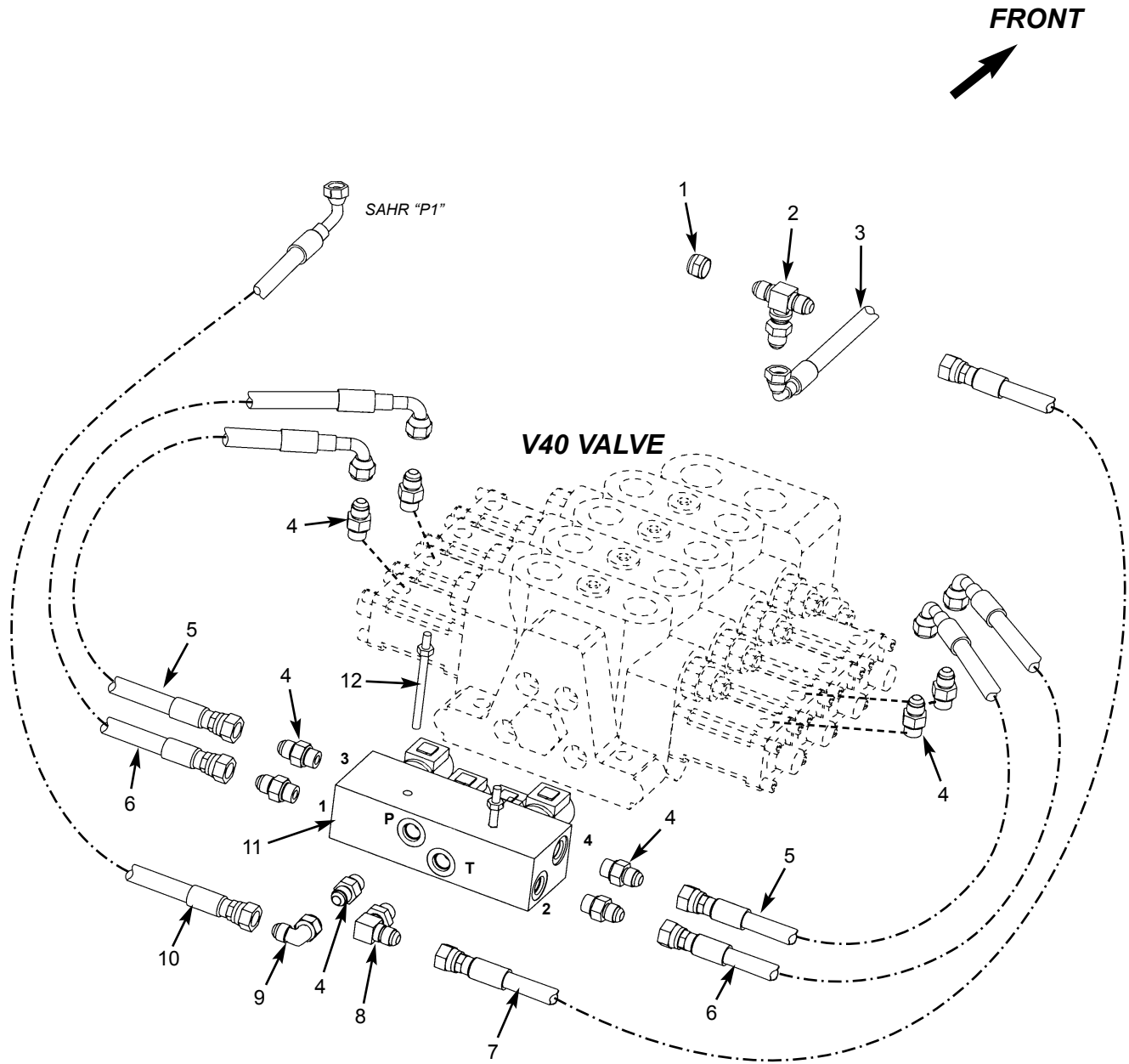
V40 Main Valve Group



V40 Main Valve Group

Ref. No.	Part No.	Description	Qty. Req.	Ref. No.	Part No.	Description	Qty. Req.
01	L71452	V40 CONTROL VALVE	1	10	L70014	ADAP -6JICM BLKHD TEE	1
02	L444002	ADAP -6ORM -6JICM STR	8	11	L445090	ADAP -12ORM -12JICM 90 LNG	2
03	L71454	VALVE MOUNT PLATE	1	12	L444001	ADAP -12ORM -12JICM STR	6
04	L50283	1/2-13X1-1/4" BOLT	2	13	L69733	TUBE, TILT	2
05	L50151	1/2" FLAT WASHER	2	14	L69732	TUBE, BOOM EXTEND	2
06	L50141	5/16" FLAT WASHER	3	15	L69731	TUBE, HYDRAULIC OPTION	2
07	L50561	5/16-18X1-3/4" BOLT	3	16	P471299	ADAP -12JICM BLKHD RUN TEE	2
08	L51590	ADAP -16ORM -16JICM STR	2	17	L446034	ADAP -12JICM BLKHD 90	4
09	L447034	CAP -6JICM	1	18	L446020	ADAP -12JIFS -12JICM 90	2

Pilot Manifold (Standard Hydraulics)



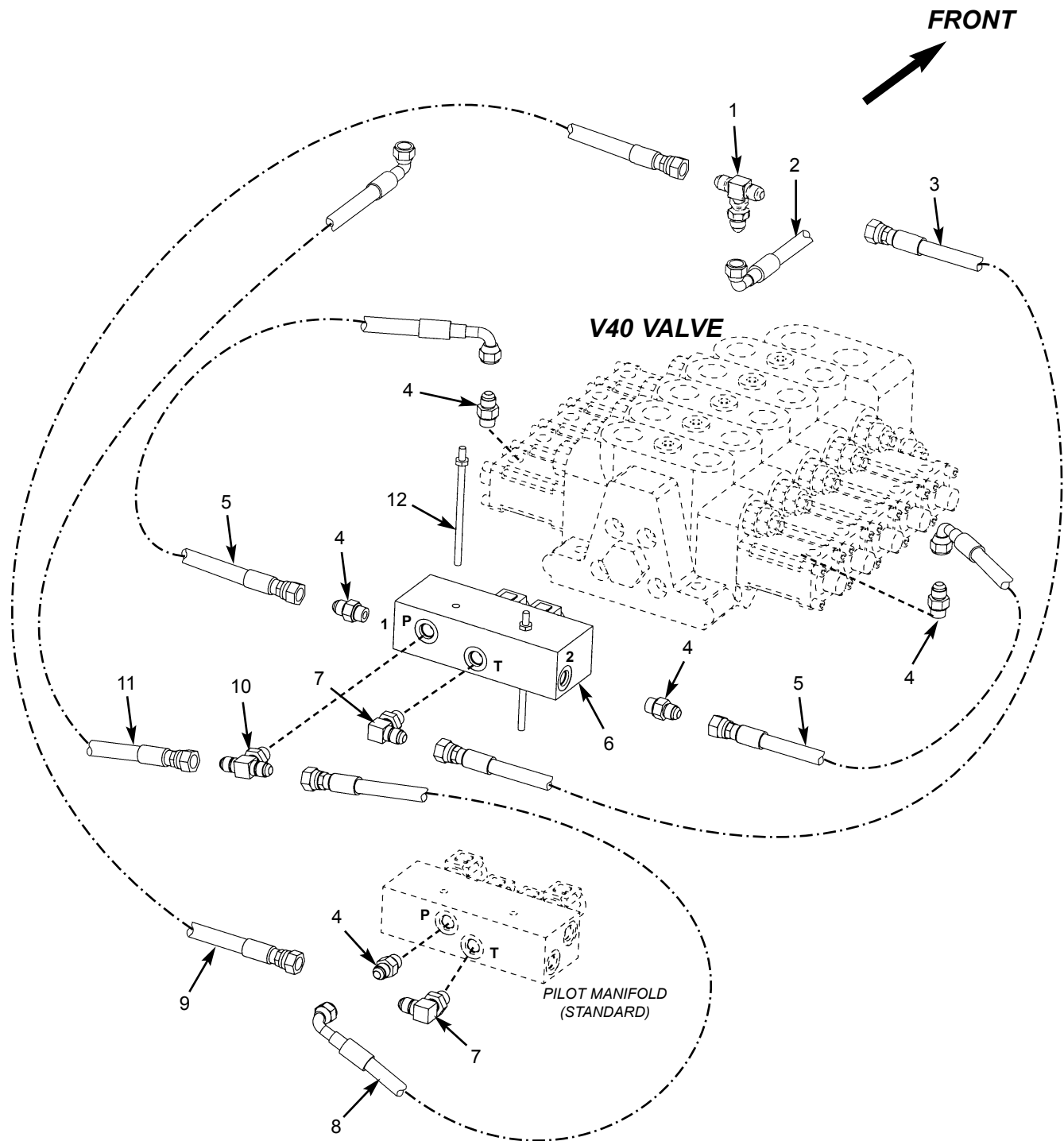
Pilot Manifold (Standard Hydraulics)

Ref. No.	Part No.	Description	Qty. Req.	Ref. No.	Part No.	Description	Qty. Req.
01	L447034	ADAP CAP -6JICF.	1	07	L69920	HOSE, -4 A6/A6 40"	1
02	L70014	ADAP -6JICM BLKHEAD TEE	1	08	L445003	ADAP -6ORM -6JICM 90 DEG	1
03	L69907	HOSE, --4 A6/DS6 84"	1	09	L60653	ADAP -6JICFS -6JICM 90 SWVL ..	1
04	L444002	ADAP -6ORM -6JICM STR	9	10	L71360	HOSE, -4 A6/DS6 98"	1
05	L69903	HOSE, -4 A6/DS6 17"	2	11	L71526	PILOT APPLY MANIFOLD.....	1
06	L69904	HOSE, -4 A6/DS6 20"	2	12	L50743	1/4"X3" STUD	2

Hose Locator

Ref No.	From Port	To Port
03	BULKHEAD TEE (ABOVE V40 VALVE)	HYDRAULIC TANK RETURN MANIFOLD
05	PILOT APPLY MANIFOLD "4", "3"	V40 PILOT VALVE (<i>as shown</i>)
06	PILOT APPLY MANIFOLD "2", "1"	V40 PILOT VALVE (<i>as shown</i>)
07	PILOT APPLY MANIFOLD "T"	BULKHEAD TEE (ABOVE V40 VALVE)
10	PILOT APPLY MANIFOLD "P"	SAHR VALVE "P1" (BOTTOM OF TEE)

Pilot Manifold (Optional Hydraulics)



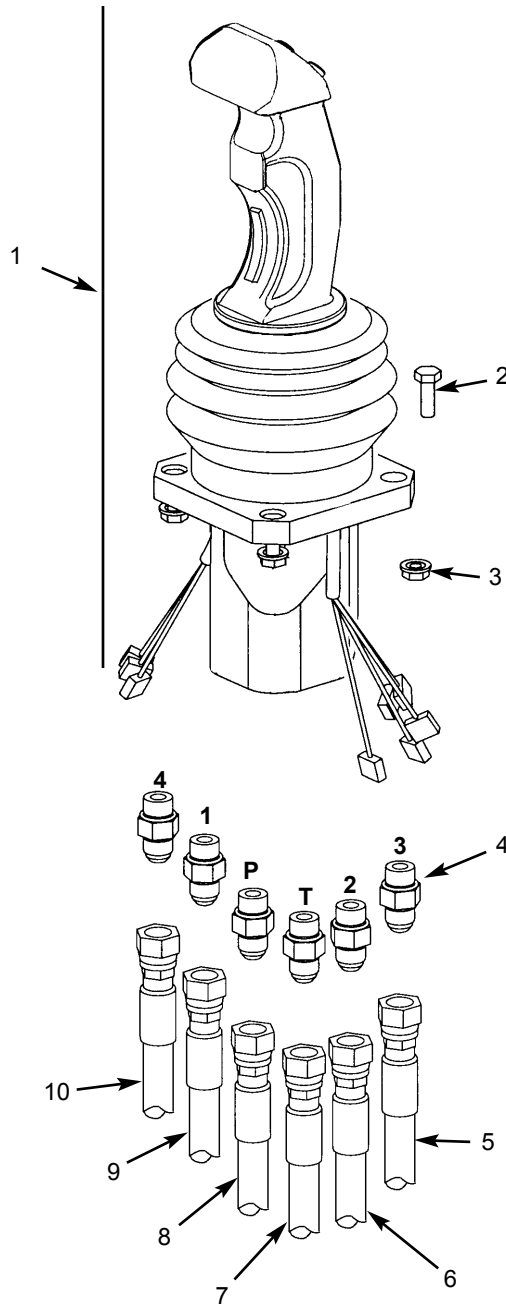
Pilot Manifold (Optional Hydraulics)

Ref. No.	Part No.	Description	Qty. Req.	Ref. No.	Part No.	Description	Qty. Req.
01	L70014	ADAP -6JICM BLKHEAD TEE	1	07	L445003	ADAP -6ORM -6JICM 90 DEG	2
02	L69907	HOSE, -4 A6/DS6 84"	1	08	L69903	HOSE, -4 A6/DS6 17"	1
03	L69920	HOSE, -4 A6/A6 40"	1	09	L69920	HOSE, -4 A6/A6 40"	1
04	L444002	ADAP -6ORM -6JICM STR	5	10	L51762	ADAP -6ORM -6JICM BR TEE	1
05	L69903	HOSE, -4 A6/DS6 17"	2	11	L71360	HOSE, -4 A6/DS6 98"	1
06	L71235	PILOT APPLY MANIFOLD.	1	12	L50744	1/4"X5" STUD	2

Hose Locator

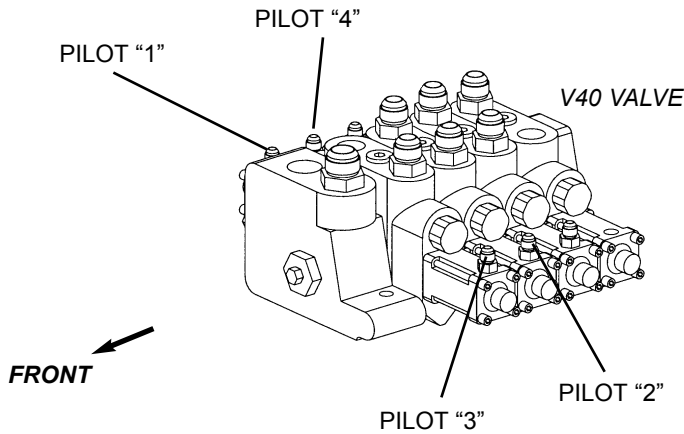
Ref No.	From Port	To Port
02	BULKHEAD TEE (ABOVE V40 VALVE)	HYDRAULIC TANK RETURN MANIFOLD
03	PILOT APPLY MANIFOLD "T"	BULKHEAD TEE (ABOVE V40 VALVE)
05	PILOT APPLY MANIFOLD "1", "2"	V40 PILOT VALVE <i>(as shown)</i>
08	PILOT APPLY MANIFOLD "P"	(STANDARD) PILOT APPLY MANIFOLD "P"
09	(STANDARD) PILOT APPLY MANIFOLD "T"	BULKHEAD TEE (ABOVE V40 VALVE)
11	PILOT APPLY MANIFOLD "P" (FROM TEE)	SAHR VALVE "P1" (BOTTOM OF TEE)

Joystick Controller



Joystick Controller

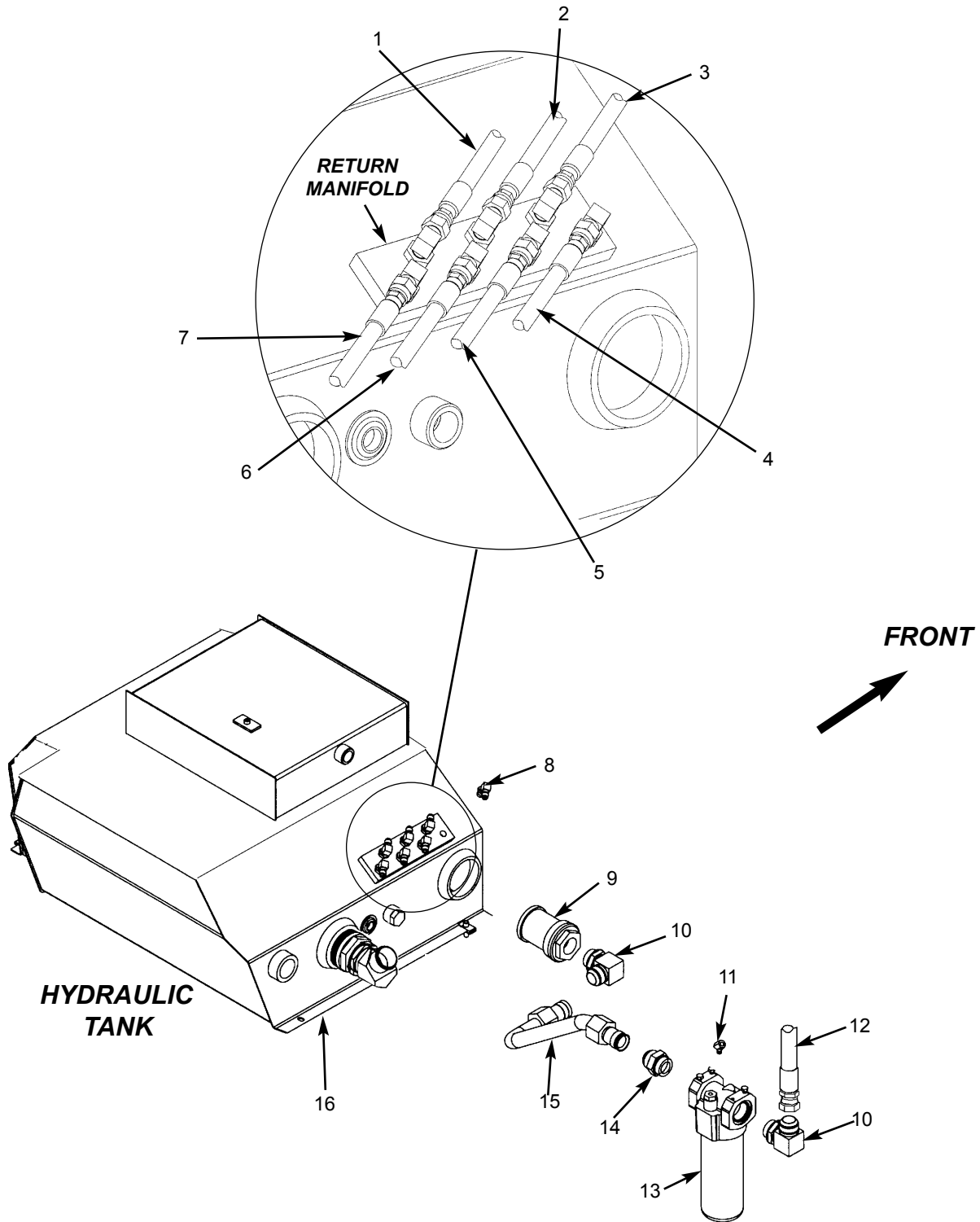
Ref. No.	Part No.	Description	Qty. Req.	Ref. No.	Part No.	Description	Qty. Req.
01 ^a	L71346	JOYSTICK 4BUTTN/TRIGGER . . .	1	07	L69928	HOSE, -4 A6/A6 25"	1
02	L50211	1/4-20X3/4" BOLT	4	08	L69930	HOSE, -4 A6/A6 46"	1
03	L50051	1/4-20 FLANGE NUT.	4	09	L69906	HOSE, -4 A6/A6 110"	1
04	L444002	ADAP -6ORM -6ORM STR	6	10	L69906	HOSE, -4 A6/A6 110"	1
05	L69906	HOSE, -4 A6/A6 110"	1				
06	L69906	HOSE, -4 A6/A6 110"	1	a		Refer to joystick parts breakdown on page 270.	



Hose Locator

Ref No.	From Port	To Port
05	JOYSTICK "3"	V40 PILOT "3"
06	JOYSTICK "2"	V40 PILOT "2"
07	JOYSTICK "T"	HYDRAULIC TANK RETURN MANIFOLD
08	JOYSTICK "P"	SAHR VALVE "P2"
09	JOYSTICK "1"	V40 PILOT "1"
10	JOYSTICK "4"	V40 PILOT "4"

Return Manifold and Filter Group



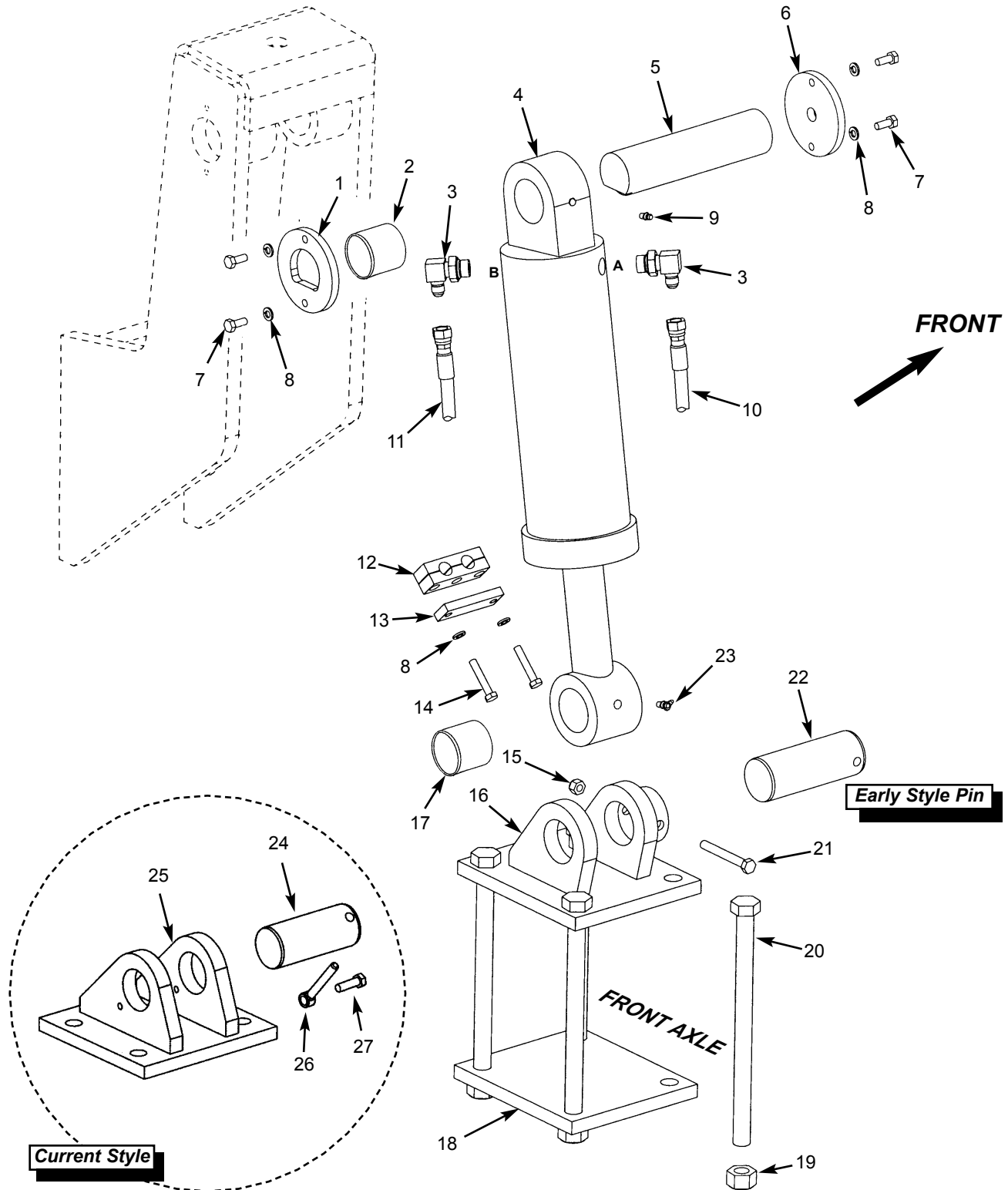
Return Manifold and Filter Group

Ref. No.	Part No.	Description	Qty. Req.	Ref. No.	Part No.	Description	Qty. Req.
01	L69933	HOSE, -6 A6/A8 60"	1	12	L70497	HOSE, -16 A20/DL16 30"	1
02	L69927	HOSE, -4 A6/A6 81"	1	13 ^a	L69309	RETURN FILTER.	1
03	L69928	HOSE, -4 A6/A6 25"	1		L99459	HYD. FILTER CARTRIDGE	1
04	L69920	HOSE, -4 A6/A6 40"	1		L500352	O RING.	1
05	L69907	HOSE, -4 A6/DS6 84"	1	14	L51587	ADAP -20ORM -20JICM STR	1
06	L69922	HOSE, -6 A6/A6 50"	1	15	L70379	TUBE, FILTER TO TANK.	1
07	L69928	HOSE, -4 A6/A6 25"	1	16	L70377	HYDRAULIC TANK WELDMENT . . .	1
08	L445003	ADAP -6ORM -6JICM 90 DEG	7				
09	L70378	TANK DIFFUSER	1				
10	L62954	ADAP -20ORM -20JICM 90 DEG . . .	2				
11	L448002	ADAP 1/8NPTM 1/8NPTF 45 DEG . .	1				
				a	<i>Return filter includes L99459 filter cartridge and L500352 o ring.</i>		

Hose Locator

Ref No.	From Port	To Port
01	STEER MOTOR "T" (IN CAB)	HYDRAULIC TANK RETURN MANIFOLD
02	BRAKE VALVE "T" (IN CAB)	HYDRAULIC TANK RETURN MANIFOLD
03	JOYSTICK "T" (IN CAB)	HYDRAULIC TANK RETURN MANIFOLD
04	FLOW DIVIDER "T" (ON HYD. PUMP)	HYDRAULIC TANK RETURN MANIFOLD
05	BULKHEAD TEE (ABOVE V40 VALVE)	HYDRAULIC TANK RETURN MANIFOLD
06	LEVEL VALVE "T"	HYDRAULIC TANK RETURN MANIFOLD
07	SAHR "T"	HYDRAULIC TANK RETURN MANIFOLD
12	LOWER COOLER (NEAREST RADIATOR)	HYDRAULIC RETURN FILTER

Frame Level Cylinder Group



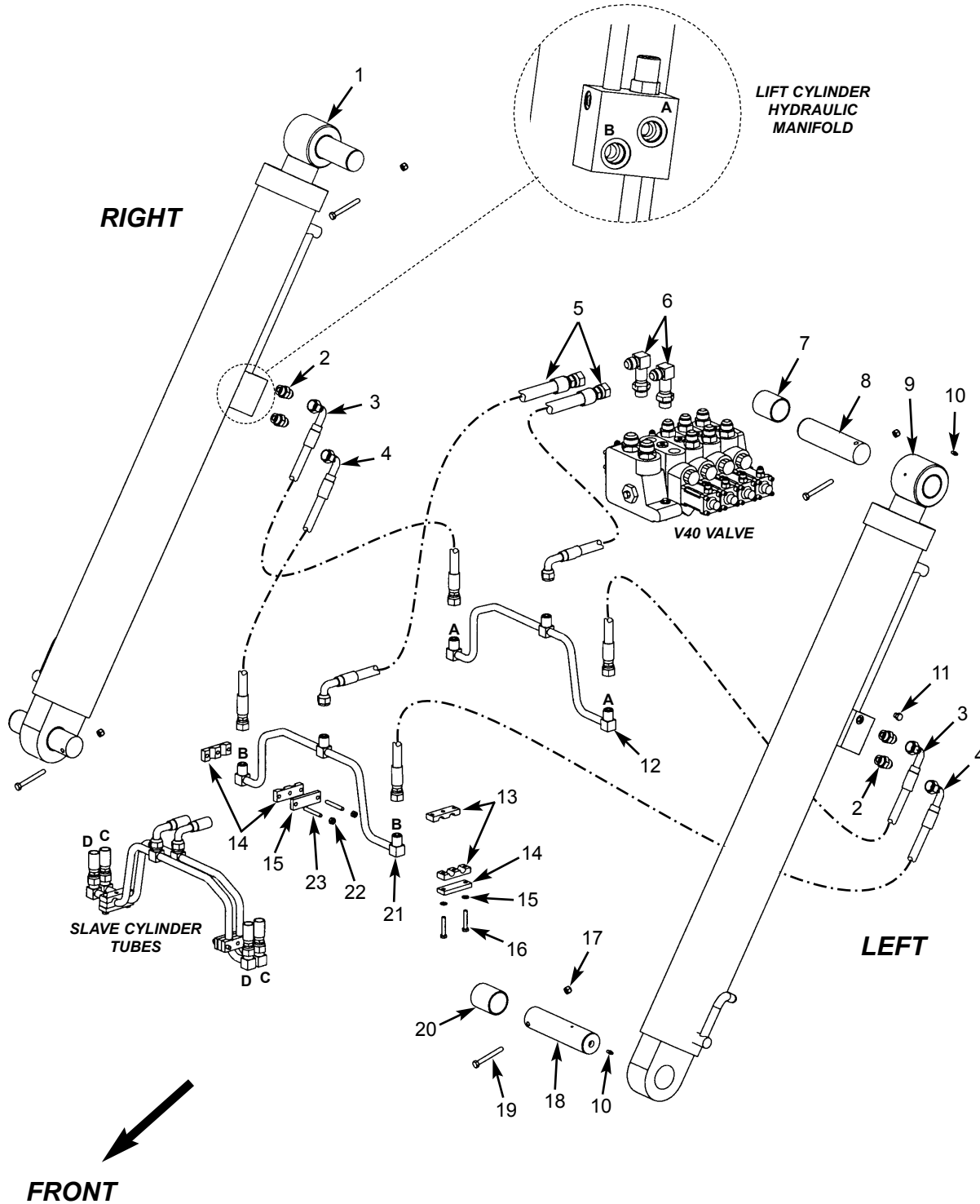
Frame Level Cylinder Group

Ref. No.	Part No.	Description	Qty. Req.	Ref. No.	Part No.	Description	Qty. Req.
01	L69725	PIN LOCK CAP 2"	1	17	L63016	BUSHING (ROD END)	1
02	L64367	BUSHING (BASE END).		18	L69382	LEVEL MOUNT PLATE	1
03	L445005	ADAP -8ORM -6JICM 90 DEG	2	19	L50084	3/4-10 NUT GR8	4
04	L63015	FRAME LEVEL CYL. 4X7.5	1	20	L50684	3/4-10X11" GR8 BOLT	4
05	L70385	LEVEL CYLINDER PIN	1	21 ^a	L50275	3/8-16X3" BOLT	1
06	L69724	PIVOT PIN LOCK CAP	1	22 ^a	L63275	LEVEL CYL. PIN (ROD END)	1
07	L50230	5/16-18X3/4" BOLT	4	23	L10057	ZERK, 1/4-28 90 DEG.	1
08	L50143	5/16" LOCK WASHER	6	24 ^b	L68882	LEVEL CYL. PIN (ROD END)	1
09	L10465	ZERK, 1/4-28 STR.	1	25 ^b	100252	LEVEL CYL MOUNT WELDMENT	1
10	L69921	HOSE -4 A6/A6 126"	1	26 ^b	L68881	LOCK, PIVOT PIN	1
11	L69921	HOSE -4 A6/A6 126"	1	27 ^b	L50403	BOLT	1
12	L63716	TWIN HOSE CUSHION 11/16"	2				
13	L63715	TWIN CUSH. TOP PLATE	1				
14	L50561	5/16-18X1-3/4" BOLT	2	<i>a</i>	<i>Thru S/N 65166</i>		
15 ^a	L520005	3/8-16 NYLON INSERT NUT	1	<i>b</i>	<i>S/N 65167 and up</i>		
16 ^a	L69275	LEVEL MOUNT WELDMENT	1				

Hose Locator

Ref No.	From Port	To Port
10	LEVEL CYLINDER "A"	LEVEL VALVE "A1"
11	LEVEL CYLINDER "B"	LEVEL VALVE "B1"

Lift Cylinder Group



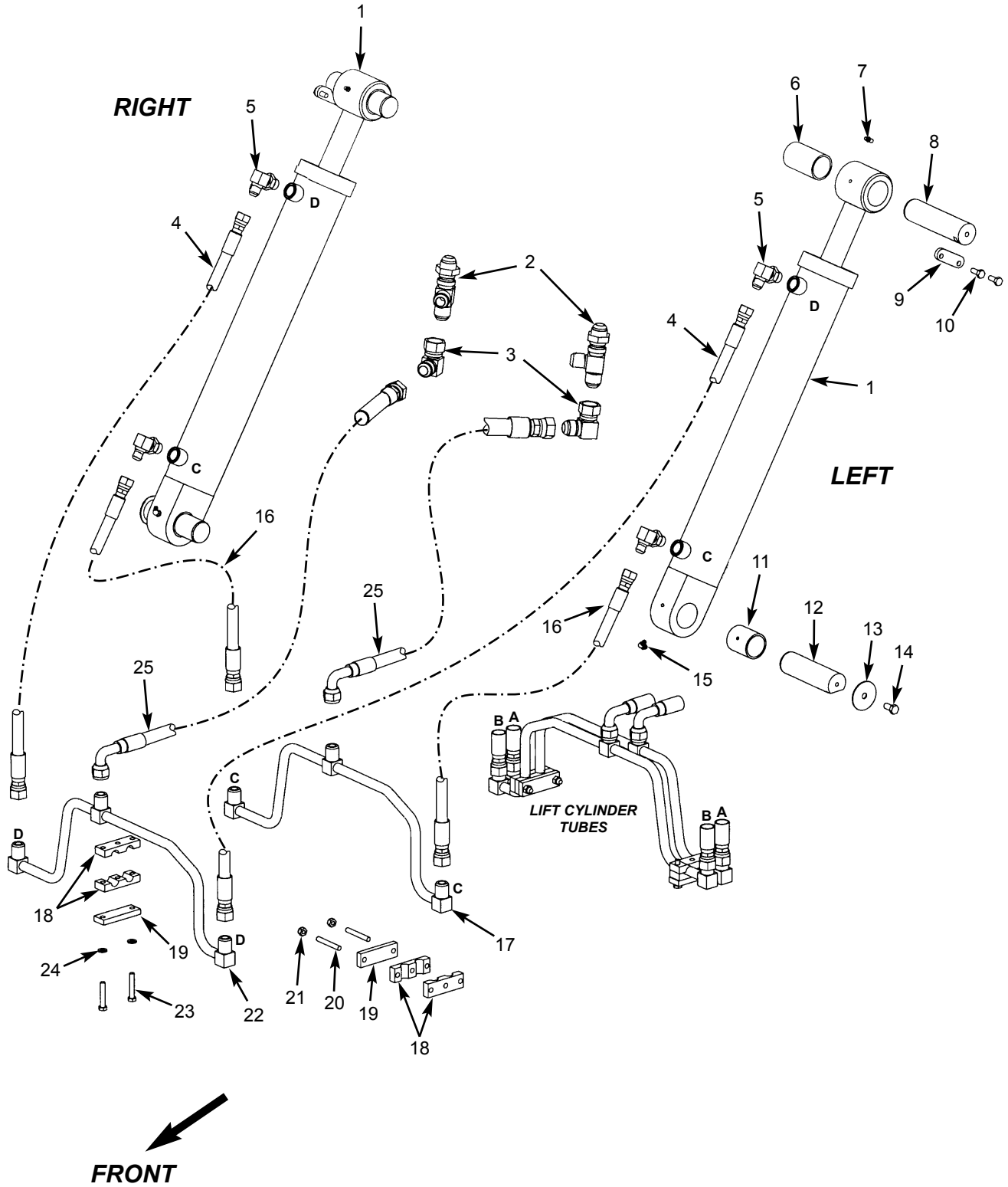
Lift Cylinder Group

Ref. No.	Part No.	Description	Qty. Req.	Ref. No.	Part No.	Description	Qty. Req.
01	L71426	LIFT CYLINDER (RH)	1	13	L68039	DOUBLE TUBE CUSHION	4
02	L444010	ADAP -10ORM -10JICM STR	4	14	L63715	TWIN CUSHION TOP PLATE	2
03	L70806	HOSE -8 A10/DS10 24"	2	15	L50143	5/16" LOCK WASHER	2
04	L70460	HOSE -8 A10/DS10 23"	2	16	L50561	5/16-18X1-3/4" BOLT	2
05	L69913	HOSE -12 A12/DS10 36"	2	17	L520005	3/8-16 NYLON INSERT NUT	4
06	L445090	ADAP -12ORM -12JICM 90 LNG	2	18	L69599	LIFT PIN (BASE END)	2
07	L69142	BUSHING 2X2.25X3.5"	2	19	L50275	3/8-16X3" BOLT	4
08	L69600	LIFT PIN (ROD END)	2	20	L69138	BUSHING	2
09 ^a	L71427	LIFT CYLINDER (LH)	1	21	L69558	LIFT/SLAVE TUBE ASSEMBLY	1
10	L10465	1/4-28 GREASE ZERK STR	4	22	L520004	5/16-18 NYLON INSERT NUT	2
11	L60986	PLUG -4ORM	2	23	L50877	5/16-18X2-1/4" STUD	2
12	L69557	LIFT/SLAVE TUBE ASSEMBLY	1				

Hose Locator

Ref No.	From Port	To Port
03	LIFT CYLINDER/MANIFOLD "A"	LIFT/SLAVE TUBE ASSEMBLY "A" (as shown)
04	LIFT CYLINDER/MANIFOLD "B"	LIFT/SLAVE TUBE ASSEMBLY "B" (as shown)
05	LIFT/SLAVE TUBE ASSEMBLY "A & B"	V40 VALVE "A & B" (as shown)

Slave Cylinder Group



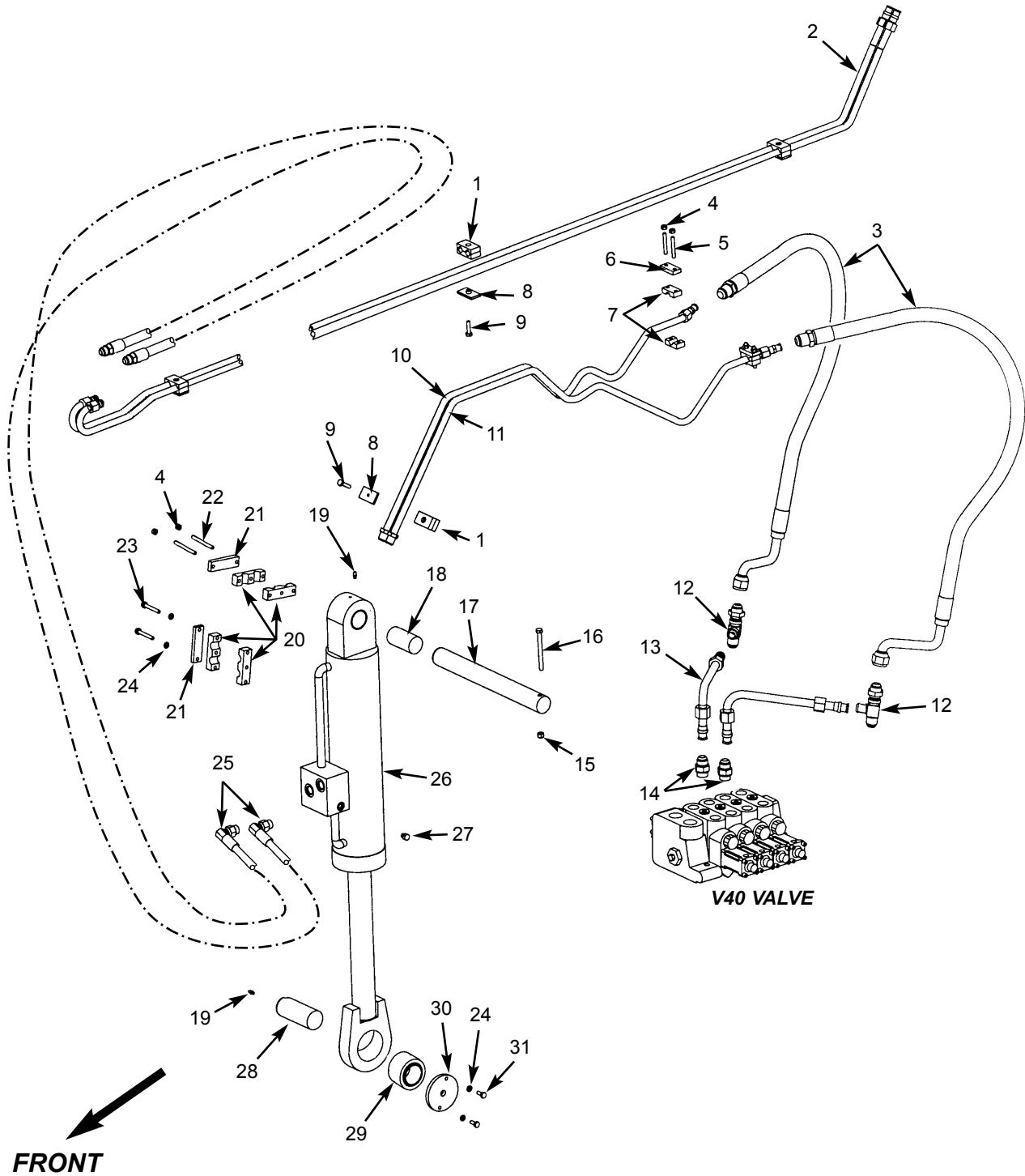
Slave Cylinder Group

Ref. No.	Part No.	Description	Qty. Req.	Ref. No.	Part No.	Description	Qty. Req.
01	L69129	SLAVE CYLINDER 3.0X17.0.	2	14	L50251	3/8-16X3/4" BOLT	2
02	P471299	ADAP -12JICM BLKHD R TEE	2	15	L10057	1/4-28 GREASE ZERK 90 DEG	2
03	L446020	ADAP -12JICFS -12JICM 90 DEG	2	16	L69911	HOSE -8 A8/A10 38"	2
04	L69910	HOSE -8 A8/A10 57"	2	17	L69558	LIFT/SLAVE TUBE ASSEMBLY	1
05	L445002	ADAP -8ORM -8JICM 90 DEG	2	18	L68039	DOUBLE TUBE CUSHION	4
06	L63018	BUSHING 660 1.5IDX3.0	2	19	L63715	TWIN CUSHION TOP PLATE	2
07	L10465	1/4-28 GREASE ZERK STR	2	20	L50877	5/16-18X2-1/4" STUD	2
08	L70176	SLAVE CYL. PIN (ROD END)	2	21	L520004	5/16-18 NYLON INSERT NUT	2
09	L70177	PIN LOCK BAR	2	22	L69557	LIFT/SLAVE TUBE ASSEMBLY	1
10	L50230	5/16-18X3/4" BOLT	4	23	L50561	5/16-18X1-3/4" BOLT	2
11	L68003	BUSHING	2	24	L50143	5/16" LOCK WASHER	2
12	L71222	SLAVE CYL. PIN (BASE END)	2	25	L69908	HOSE -8 A12/DS10 50"	2
13	L50170	WASHER, .41 IDX2.0OD	2				

Hose Locator

Ref No.	From Port	To Port
04	SLAVE CYLINDER "D"	LIFT/SLAVE TUBE ASSEMBLY "D" (as shown)
16	SLAVE CYLINDER "C"	LIFT/SLAVE TUBE ASSEMBLY "C" (as shown)
25	LIFT/SLAVE TUBE ASSEMBLY "D"	(RIGHT) BULKHEAD TEE FITTING ABOVE V40
25	LIFT/SLAVE TUBE ASSEMBLY "C"	(LEFT) BULKHEAD TEE FITTING ABOVE V40

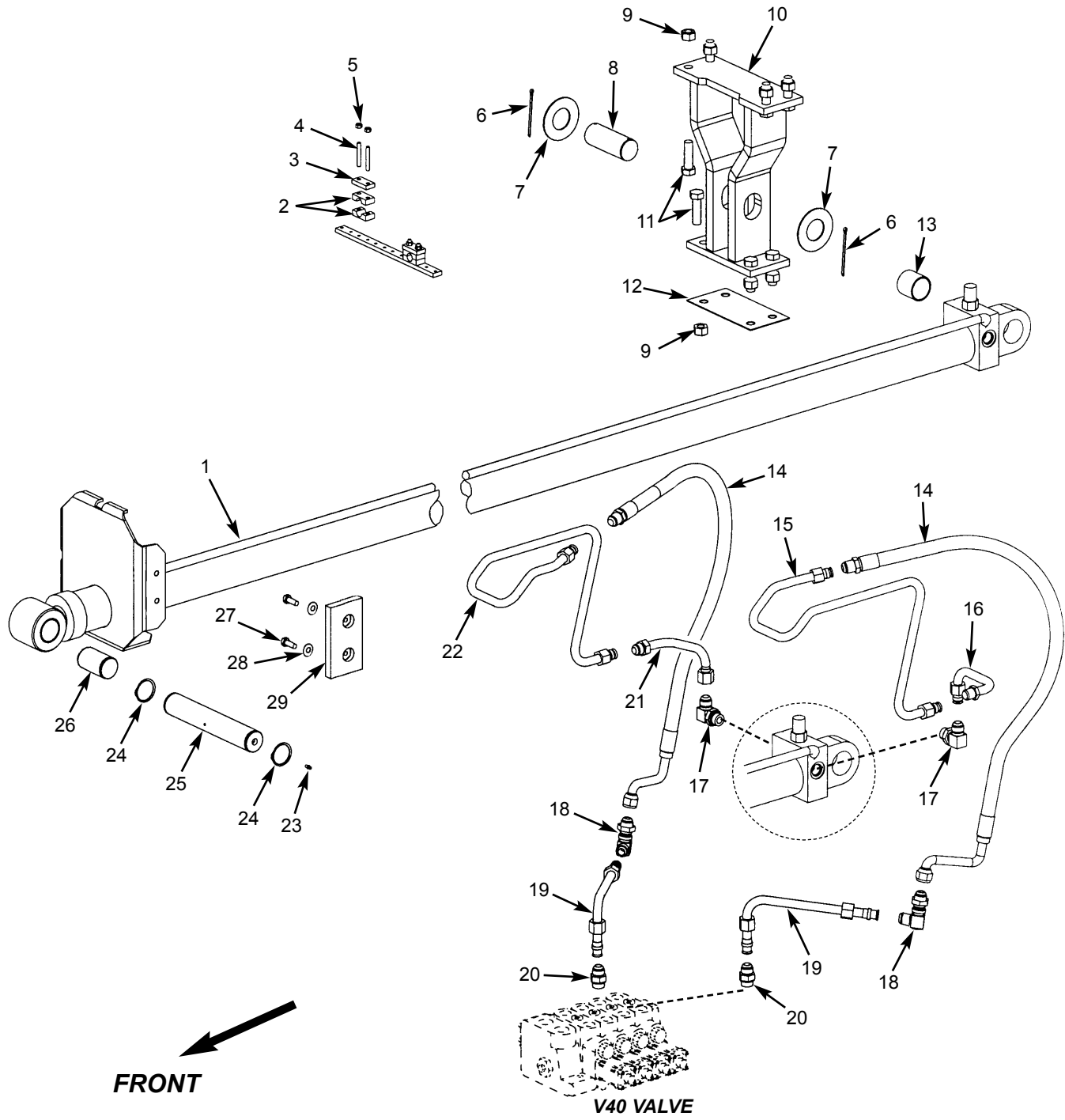
Tilt Cylinder Group



Tilt Cylinder Group

Ref. No.	Part No.	Description	Qty. Req.	Ref. No.	Part No.	Description	Qty. Req.
01	L69832	TUBE CLAMP PAIR, 5/8" DIA.	5	22 ^a	L71104	5/16-18X4-1/2" STUD	2
02	L69822	TUBE, TILT/AUX BOTTOM	2	23	L50884	5/16-18X2-1/4" BOLT	2
03	L70632	HOSE -12 H10/Z12 53"	2	24	L50143	5/16" LOCK WASHER	4
04	L520004	5/16-18 NYLON INSERT NUT	6	25	L71597	HOSE H10/P10 339"	2
05	L50877	5/16-18X2-1/4" STUD	4		L500784	HOSE SLEEVE	1
06	L67446	TUBE CUSHION TOP PLATE	2	26	L71429	TILT CYLINDER 4-1/2x16-1/4"	1
07	L67341	TUBE CUSHION, SINGLE 5/8" ...	4	27	L60986	PLUG, AIRWAY -4ORM	1
08	L69833	TUBE CLAMP TOP PLATE	5	28		PIN, TILT CYL ROD END	1
09	L50235	5/16-18X1-1/4" BOLT	5		100971	<i>Note b (not shown)</i>	
10	L71027	TILT CYLINDER TUBE (RH)	1		L70308	<i>Note c (show)</i>	
11	L71028	TILT CYLINDER TUBE (LH)	1	29	L99891	SPHERICAL BEARING	1
12	P471299	ADAP -12JICM BLKHD RUN TEE .	2	30 ^c	L69724	PIVOT PIN CAP	1
13	L69733	TILT CLYINDER TUBE (V40)	2	31 ^c	L50230	5/16-18X3/4" BOLT	2
14	L444001	ADAP -12ORM -12JICM STR	2				
15	L520005	3/8-16 NYLON INSERT NUT	1				
16	L50801	3/8-16X4" BOLT	1				
17	L71500	PIN, TILT CYL BASE END	1				
18	L69127	BUSHING (BASE END)	1				
19	L10465	1/4"-28 GREASE ZERK STR.	2				
20	L71753	TUBE CUSHION, DBL 3/4" DIA ...	4				
21	L63719	HOSE CUSHION TOP PLATE	1				
						<i>a Units equipped with Optional Hydraulics use part number L71656 5/16-18x6" STUD</i>	
						<i>b S/N 65165 and Up; including 65149, 65155, 65158, 65161 thru 65163)</i>	
						<i>c Thru S/N 65165; except for 65149, 65155, 65158, 65161 thru 65163)</i>	

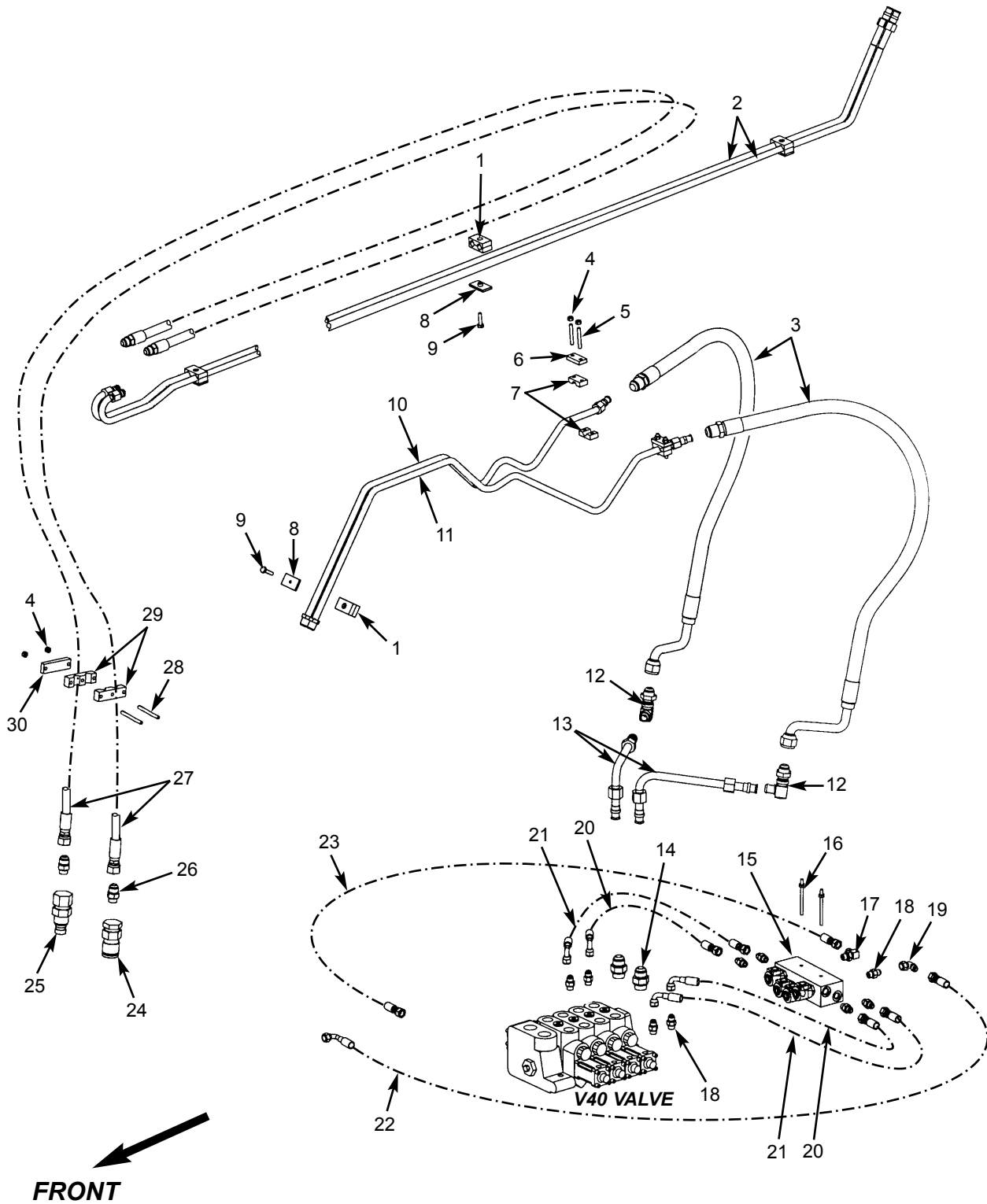
Boom Extend Cylinder Group



Boom Extend Cylinder Group

Ref. No.	Part No.	Description	Qty. Req.	Ref. No.	Part No.	Description	Qty. Req.
01	L71423	EXTEND CYLINDER 3.25X129" . . .	1	16	L69982	EXTEND CYLINDER TUBE (LH) . .	1
02	L70270	TUBE CLAMP 3/4" - SINGLE	4	17	L445001	ADAP -12ORM -12JICM 90 DEG. .	2
03	L67446	CUSHION BLOCK TOP	2	18	L446034	ADAP -12JICM BLKHD 90 DEG . .	2
04	L50877	5/16-18X2-1/4" STUD	4	19	L69732	TUBE, BOOM EXTEND	2
05	L520004	5/16-18 NYLON INSERT NUT	4	20	L444001	ADAP -12ORM -12JICM STR	2
06	L50608	3/16X4" COTTER PIN	2	21	L71592	EXTEND CYLINDER TUBE (RH) . .	1
07	L400207	THRUST WASHER	2	22	L70706	EXTEND CYLINDER TUBE (RH) . .	1
08	L69994	EXTEND CYL. PIN (BASE END) . .	1	23	L10465	ZERK 1/4-28 STR.	1
09	L50519	3/4-10 NYLON INSERT NUT	8	24	L52045	2" RETAINING RING	2
10	L69480	EXTEND. MOUNT WELDMENT . . .	1	25	L71503	EXTEND CYL ROD END PIN	1
11	L50956	3/4-10X2-1/2" BOLT	8	26	L69142	BUSHING (ROD END)	1
12	L70420	TRUNNION SHIM	1	27	L50251	3/8-16X3/4" BOLT	3
13	L71527	BUSHING (BASE END).	1	28	L50147	3/8" LOCK WASHER.	3
14	L70633	HOSE -12 H12/Z12 53"	2	29	L61709	SLIDE PAD 3"X4"	3
15	L70705	EXTEND CYLINDER TUBE (LH) . .	1				

First Auxilary Hydraulics



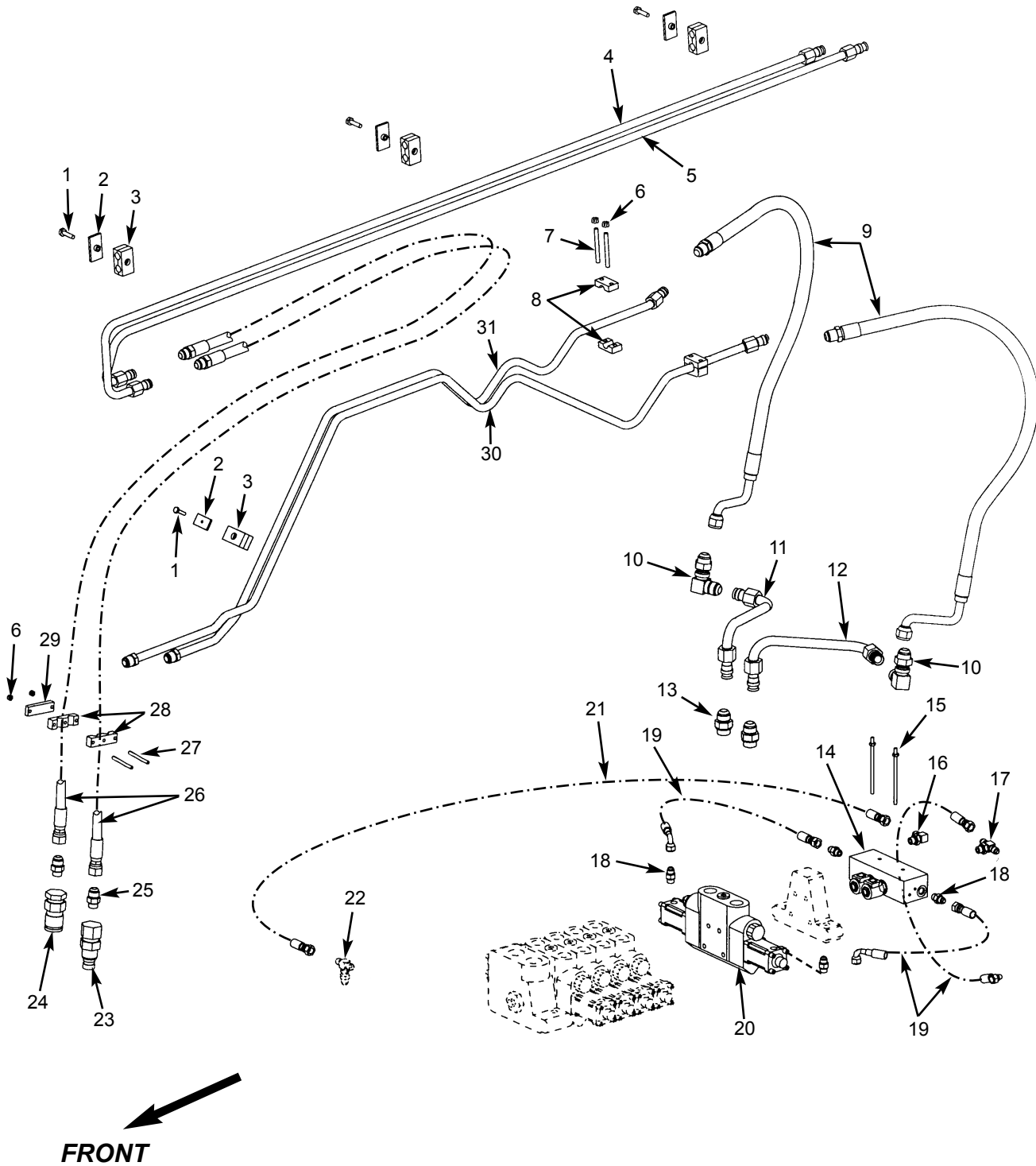
First Auxiliary Hydraulics

Ref. No.	Part No.	Description	Qty. Req.	Ref. No.	Part No.	Description	Qty. Req.
01	L69832	TUBE CLAMP PAIR, 5/8" DIA.	5	19	L60653	ADAP -6JICFS -6JICM 90 SWVL ...	1
02	L69822	TUBE, TILT/AUX BOTTOM.	2	20	L69903	HOSE -4 A6/DS6 17".....	2
03	L70632	HOSE -12 H10/Z12 53".....	2	21	L69904	HOSE -4 A6/DS6 20".....	2
04	L520004	5/16-18 NYLON INSERT NUT	6	22	L71360	HOSE -4 A6/DS6 98".....	1
05	L50877	5/16-18X2-1/4" STUD	4	23	L69920	HOSE -4 A6/A6 40".....	1
06	L67446	TUBE CUSHION TOP PLATE	2	24	L71687	COUPLER, FEMALE/FLAT	1
07	L67341	TUBE CUSHION, SINGLE 5/8" ...	4	25	L71686	COUPLER, MALE/FLAT	1
08	L69833	TUBE CLAMP TOP PLATE	5	26	L444011	ADAP -8ORM -10JICM STR.....	2
09	L50235	5/16-18X1-1/4" BOLT	5	27	L71598	HOSE -8 H10/A10 300".....	2
10	L70703	TUBE AUX. HYD.(RH).	1		L500784	HOSE SLEEVE	1
11	L70704	TUBE AUX. HYD (LH).	1	28 ^a	L71104	5/16-18X4-1/2" STUD	2
12	L446034	ADAP -12JICM BLKHD 90 DEG...	2	29	L71753	TUBE CUSHION, DBL 3/4" DIA ...	4
13	L69731	AUXILLARY HYD. TUBE (V40)....	2	30	L63719	TOP PLATE.....	1
14	L444001	ADAP -12ORM -12JICM STR.....	2				
15	L71526	PILOT APPLY MANIFOLD.	1				
16	L50741	1/4X3" STUD	2				
17	L445003	ADAP -6ORM -6JICM 90 DEG	1				
18	L444002	ADAP -6ORM -6JICM STR	9				

a Units equipped with Optional Hydraulics use part number L71656 5/16-18x6" STUD

Refer to the Standard Hydraulics pilot manifold page for a detailed view of the hoses.

Second Auxiliary Hydraulics



Second Auxiliary Hydraulics

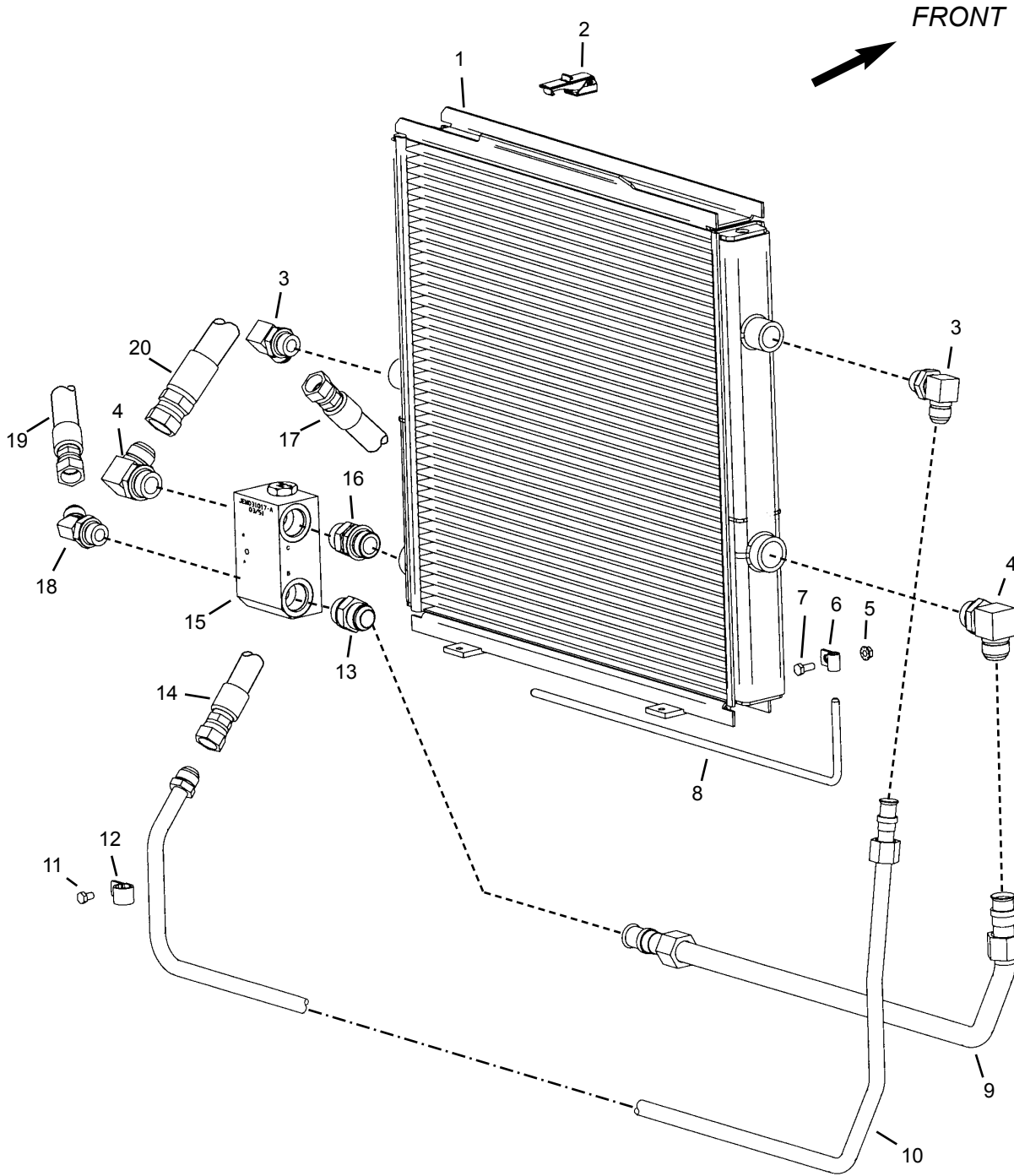
Ref. No.	Part No.	Description	Qty. Req.	Ref. No.	Part No.	Description	Qty. Req.
01	L50235	5/16-18x1-1/4" BOLT	3	19	L69903	HOSE -4 A6/DS6 17"	3
02	L69833	TOP PLATE TUBE CLAMP	3	20 ^a	L71453	V40 CONTROL VALVE KIT	1
03	L69832	TUBE CLAMP PAIR 5/8" DIA.	4	21	L69920	HOSE -4 A6/A6 40"	1
04	L71670	TUBE, 2AUX FRONT (TOP)	1	22	L70014	ADAP -6JICM TEE	1
05	L71672	TUBE, 2AUX.FRONT (BOTTOM)	1	23	L71686	MALE COUPLER	1
06	L520004	5/16-18 NYLON INSERT NUT	6	24	L71687	FEMALE COUPLER	1
07	L50878	5/16-18X3" STUD	4	25	L444011	ADAP -8ORM -10JICM STR	2
08	L67341	TUBE CUSHION 5/8" DIA.	4	26	L71642	HOSE -8 H10/A10 245"	2
09	L70632	HOSE -12 H10/Z12 53"	2		L500784	HOSE SLEEVE	1
10	L446034	ADAP BLKHD -12JICM 90 DEG	2	27 ^b	L71656	5/16-18X6" STUD	2
11	L71513	TUBE, 2ND AUX (V-40) RH	1	28	L71753	DOUBLE HOSE CUSHION	2
12	L71512	TUBE, 2ND AUX (V-40) LH	1	29	L63719	HOSE CUSHION TOP PLATE	1
13	L444001	ADAP -12ORM -12JICM STR.	2	30	L71669	TUBE, 2ND AUX, REAR LH	1
14	L71235	MANIFOLD, PILOT APPLY	1	31	L71671	TUBE, 2ND AUX. REAR RH	1
15	L50744	1/4x5" STUD	2				
16	L445003	ADAP -6ORM -6JICM 90 DEG	1				
17	L51762	ADAP -6ORM -6JICM TEE	1				
18	L444002	ADAP -6ORM -6JICM STR	5				

a Includes valve section, o-rings and 3/8"x12" studs
b With secondary auxiliary hydraulics.

Refer to Optional Hydraulics pilot manifold page for a detailed view of the hoses.

Hydraulic / Transimission Cooler Group

(S/N 65178 and Up; including S/N 65169)



Hydraulic / Transmission Cooler Group

(S/N 65178 and Up; including S/N 65169)

Ref. No.	Part No.	Description	Qty. Req.	Ref. No.	Part No.	Description	Qty. Req.
01	102279	COOLER, HYD./TRANS.....	1	17	L70083	HOSE -12 A12/A12 35".....	1
02	101992	COOLER LATCH	1	18 ^a	L445011	ADAP, -16ORM -16JICM 45 DEG..	1
03	L445001	ADAP, -12ORM -12JICM 90 DEG..	2	19		HOSE -16 A16/DS16.....	1
04	L51621	ADAP -16ORM -16JICM 90DEG..	2		L69938	<i>Note b</i> 84" long	
05	L50056	5/16"-18 FLARE NUT	1		102258	<i>Note c</i> 74" long	
06	L47212	CLAMP, VINYL- 3/8"	1	20	102111	HOSE, -16 A16/A20 30"	1
07	650486	5/16"-18X3/4" BOLT	1				
08	102280	PIN, COOLER HINGE.....	1				
09	101836	HOC TUBE	1				
10	101835	TOC TUBE.....	1	00	102260	FOAM 100"	1
11	650484	5/16"-18X1/2" BOLT	1			<i>(for use between cooler and radiator)</i>	
12	L41770	CLAMP, VINYL-3/4"	1				
13	L51590	ADAP, -16ORM -16JICM.....	1	<i>a</i>		<i>Earlier units with this style cooler used a 90 degree fitting; part number L445001 (same as item 3).</i>	
14	102110	HOSE, -12 A12/DL12 32"	1	<i>b</i>		<i>Used when item 18 is a 90 degree fitting.</i>	
15	102072	VALVE, COLD START BY-PASS... 1		<i>c</i>		<i>Used when item 18 is a 45 degree fitting.</i>	
	102289	CHECK VALVE.....	1				
16	102073	ADAP, -16ORM -16ORM.....	1				

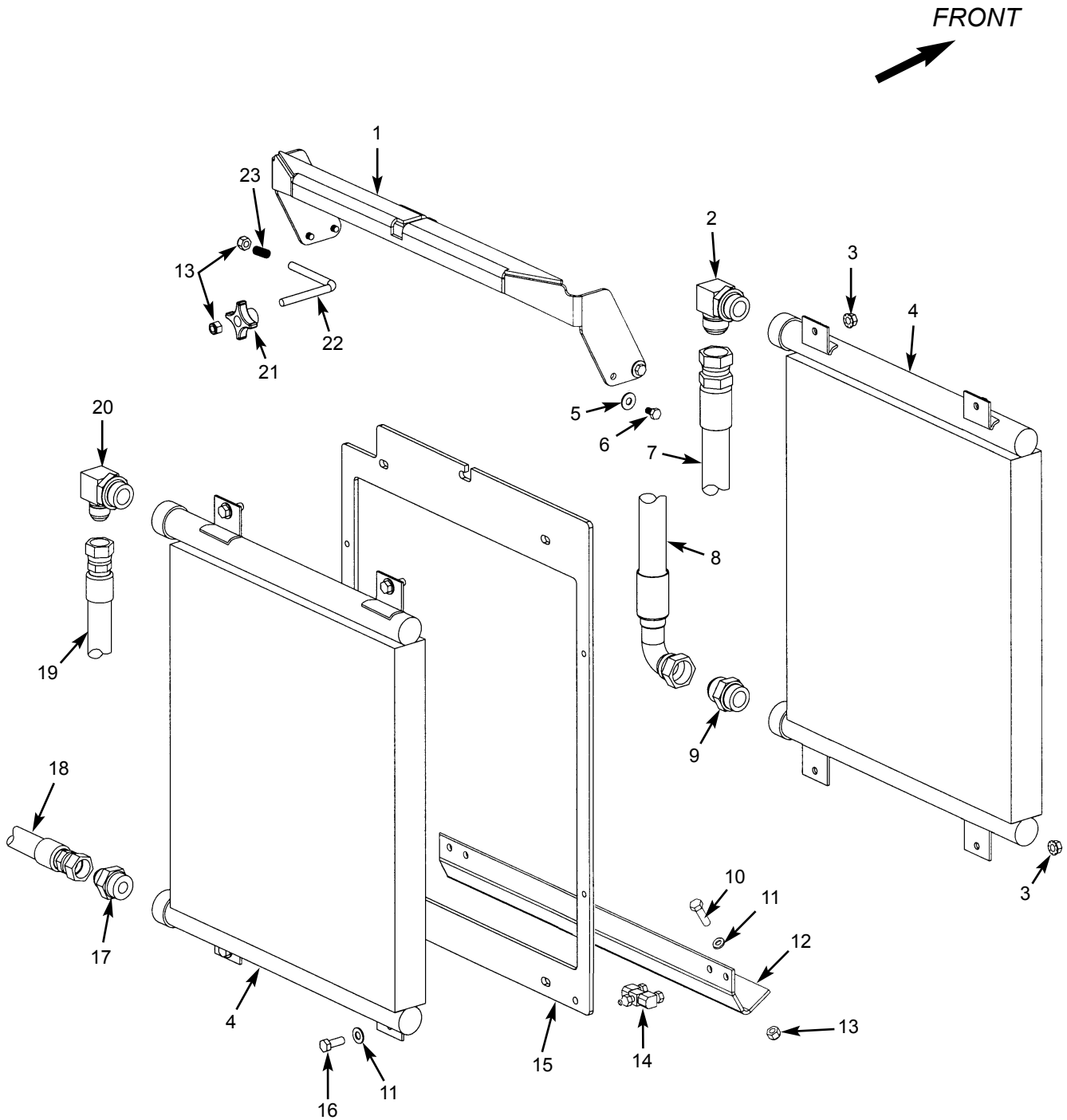
-- ITEMS NOT SHOWN --

Hose Locator

Ref No.	From Port	To Port
19	LOWER PORT - COLD START RELIEF VALVE	V40 VALVE "OUT" (FRONT RIGHT PORT)
20	UPPER PORT - COLD START RELIEF VALVE	HYDRAULIC FILTER "IN"
17	COOLER UPPER PORT - LEFT SIDE	TRANSMISSION LOWER PORT
14	COOLER UPPER PORT - RIGHT SIDE	TRANSMISSION UPPER PORT

Hydraulic / Transimission Cooler Group

(Thru S/N 65177; except S/N 65169)



Hydraulic / Transmission Cooler Group

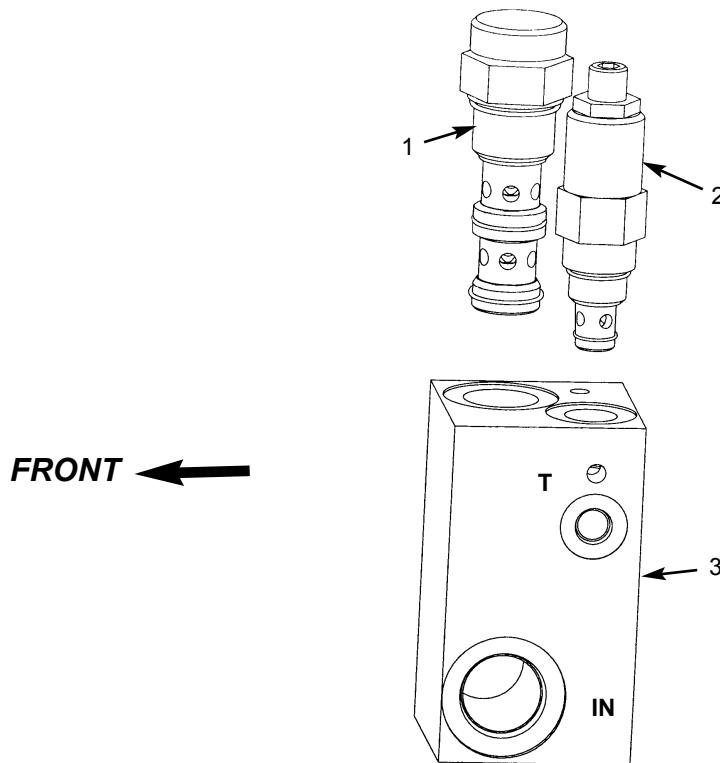
(Thru S/N 65177; except S/N 65169)

Ref. No.	Part No.	Description	Qty. Req.	Ref. No.	Part No.	Description	Qty. Req.
01	L71612	COOLER LATCH WELDMENT	1	12	L71620	COOLER LOWER MOUNT.	1
		(Includes item 22)		13	L520005	3/8-16 LOCK NUT	4
02	L51621	ADAP -16ORM -16JICM 90DEG. . .	1	14	L69465	HINGE	2
03	L50061	3/8-16 FLARE NUT	4	15	L70392	COOLERS MOUNT PLATE.	1
04	L71603	COOLER, 4FPI	2	16	L50367	3/8-16X1" BOLT.	4
05	L50141	5/16" FLAT WASHER	4	17	L64853	ADAP -16ORM -12JICM STR	1
06	L50228	5/16-18X1/2" BOLT	4	18	L70083	HOSE -12 A12/A12 35"	1
07	L69938	HOSE -16 A16/DS16 84"	1	19	L70087	HOSE -12 A12/DL12 44"	1
08	L70497	HOSE -16 A20/DL16 30"	1	20	L61092	ADAP -16ORM - 12JICM 90 DEG .	1
09	L51590	ADAP -16ORM -16JICM STR	1	21	L68110	KNOB.	1
10	L50403	3/8-16X1-1/4" BOLT	2	22	L70395	COOLER LATCH BAR	1
11	L50145	3/8" FLAT WASHER	6	23	L68128	COMPRESSION SRPING.	1

Hose Locator

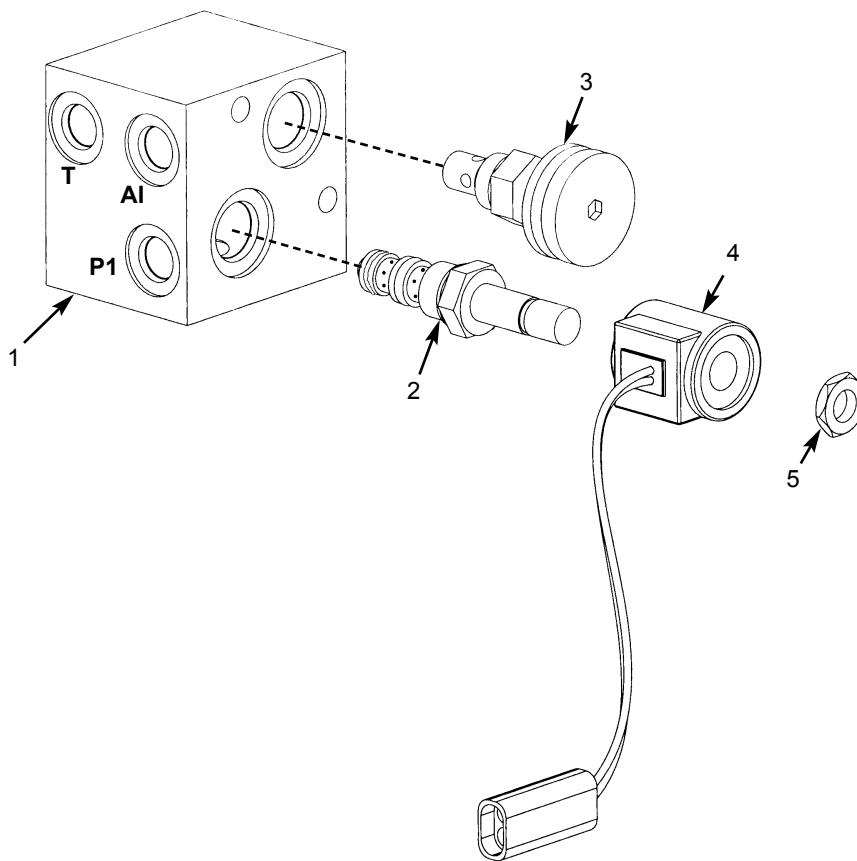
Ref No.	From Port	To Port
07	INNER COOLER UPPER PORT	V40 VALVE "OUT" (FRONT RIGHT PORT)
08	INNER COOLER LOWER PORT	HYDRAULIC FILTER "IN"
18	OUTER COOLER LOWER PORT	TRANSMISSION LOWER PORT
19	OUTER COOLER UPPER PORT	TRANSMISSION UPPER PORT

Flow Divider Breakdown



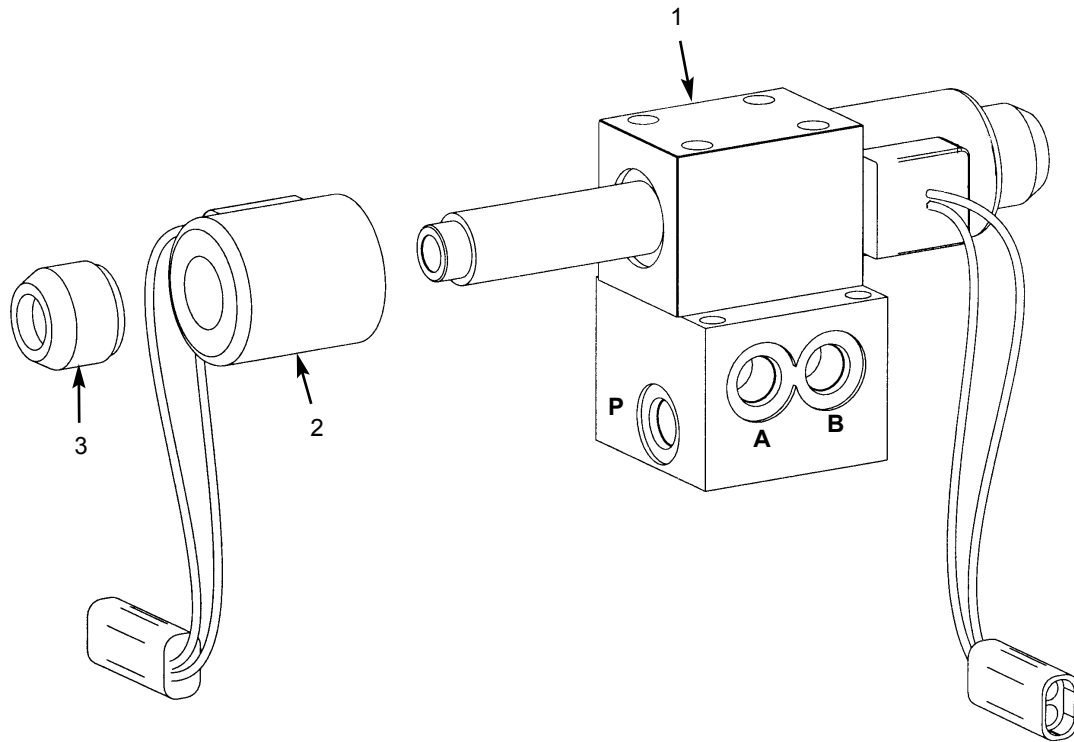
Ref. No.	Part No.	Description	Qty. Req.	Ref. No.	Part No.	Description	Qty. Req.
01	L99928	PRESSURE REGULATOR	1	03	L70229	FLOW DIVIDER	1
	L99929	SEAL KIT	1			(Includes all items shown)	
02	L99927	RELIEF VALVE	1				
	L99925	SEAL KIT	1				

SAHR Valve Breakdown



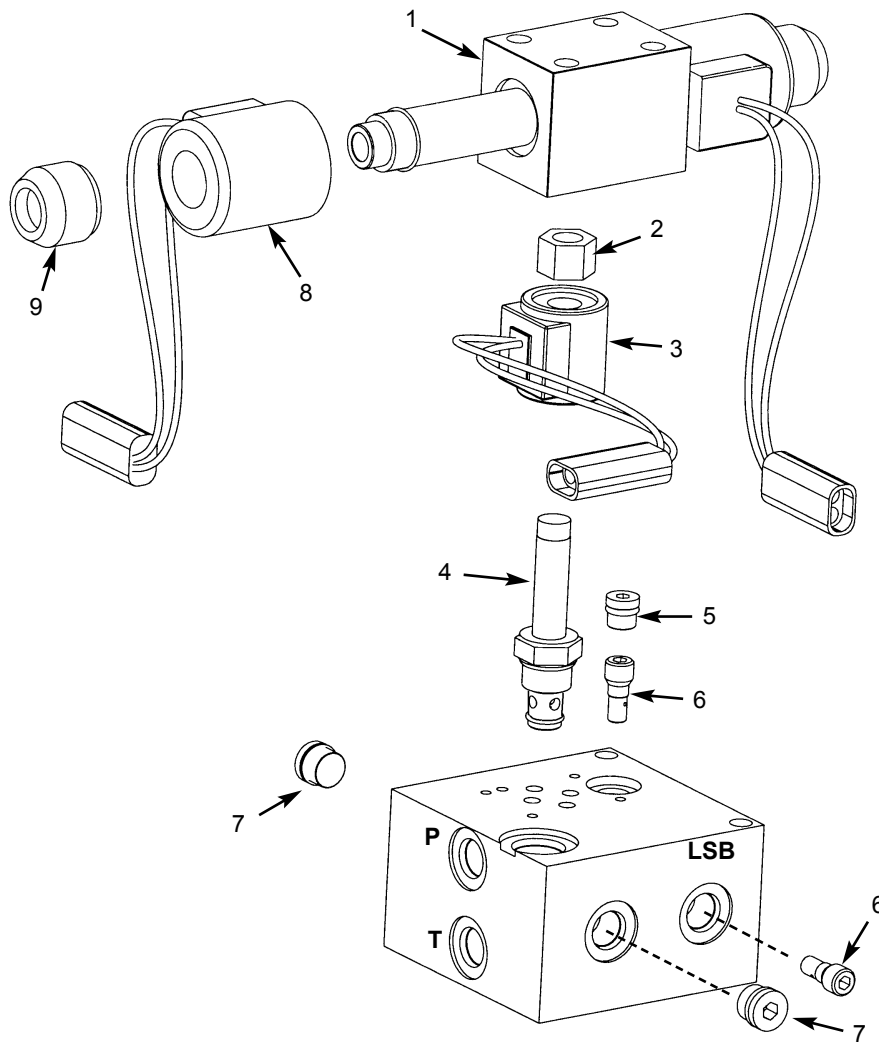
Ref. No.	Part No.	Description	Qty. Req.	Ref. No.	Part No.	Description	Qty. Req.
01	L69395	SAHR/ACCUM CHARGE VALVE .. 1 (Includes all items shown)	1	03	L99919	NEEDLE VALVE	1
02	L99912	3-WAY 2 POSITION VALVE	1		L99925	SEAL KIT	1
	L99911	SEAL KIT	1	04	L99908	COIL/WEATHERPAK 12VDC	1
				05	NSS	NUT	1
						(Included with item 2)	

Steer Valve Breakdown



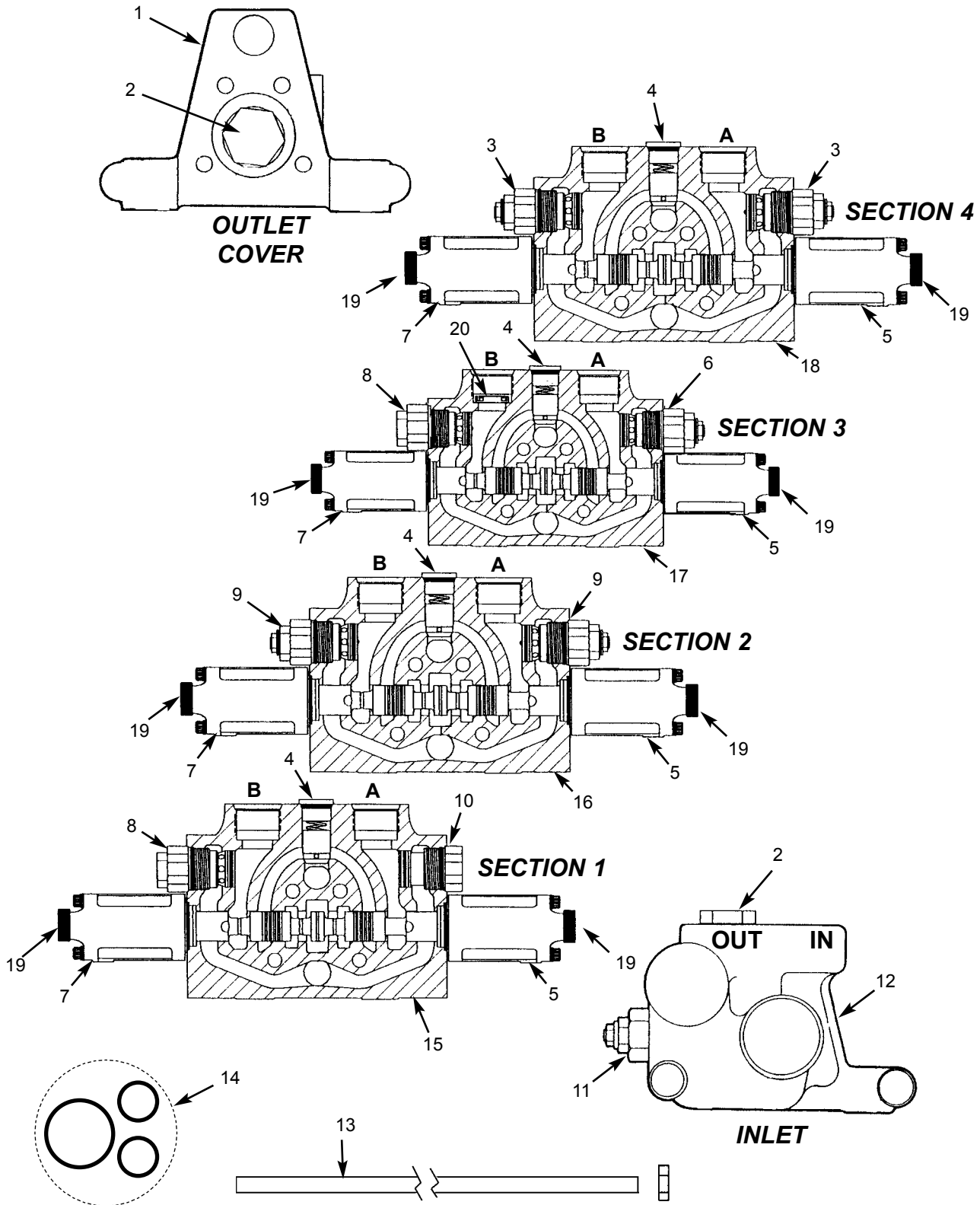
Ref. No.	Part No.	Description	Qty. Req.	Ref. No.	Part No.	Description	Qty. Req.
01	L69747	STEER SELECT VALVE	1	02	L500770	COIL W/CONNECTOR	2
	L99907	SEAL KIT	1	03	NSS	NUT	2
						(Included with item 1)	

Level Valve Breakdown



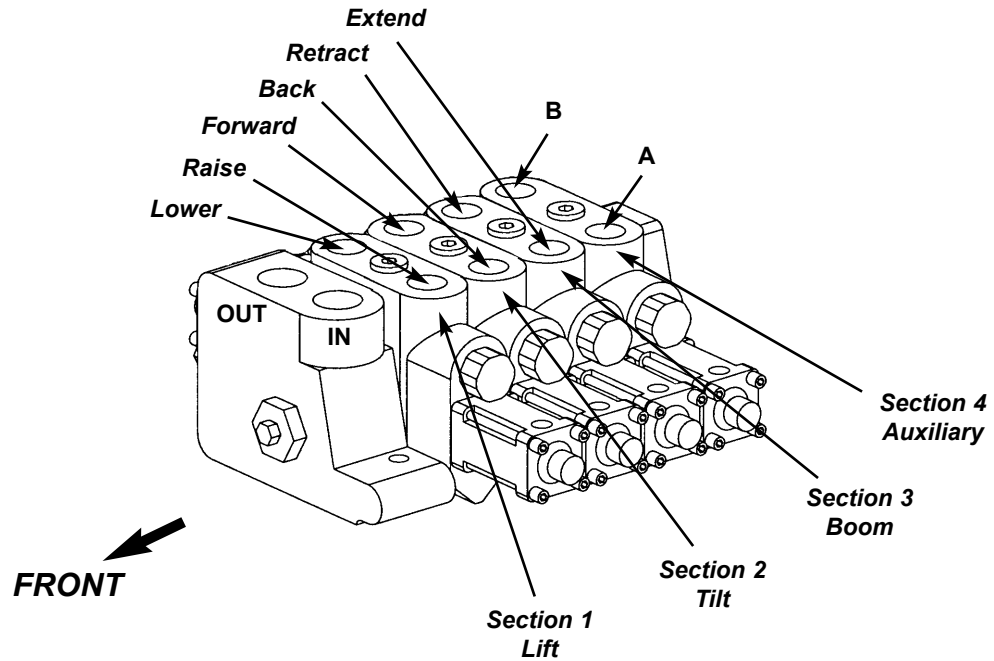
Ref. No.	Part No.	Description	Qty. Req.	Ref. No.	Part No.	Description	Qty. Req.
	L70230	LEVEL VALVE	1	05	L99917	PLUG -4 NWD	1
		(Includes all parts shown)		06	L99923	SHUTTLE VALVE	2
01	L99921	VALVE, WEATHERPAK	1	07	L99922	PLUG -6 NWD	2
		(Includes item #8 and 9)		08	L500770	COIL W/CONNECTOR	2
	L99907	SEAL KIT	1	09	NSS	NUT	2
02	NSS	NUT	2			(Included with item 1)	
		(Included with item 4)					
03	L99908	COIL, WEATHERPAK 12VDC	1				
04	L99920	2 WAY SOLENOID VALVE	1				
		(Includes item 2)					
	L99925	SEAL KIT	1				

V40 Valve Breakdown

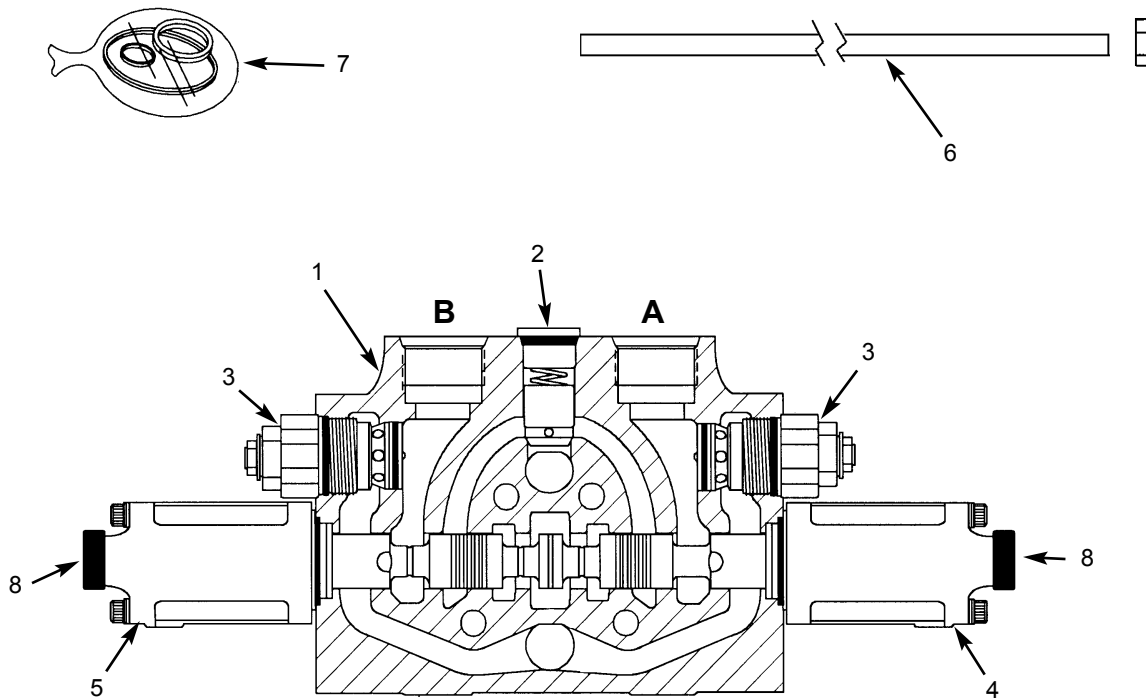


V40 Valve Break Down

Ref. No.	Part No.	Description	Qty. Req.	Ref. No.	Part No.	Description	Qty. Req.
	L71452	V40 VALVE COMPLETE ASSY.		11	L99896	RELIEF CARTRIDGE	1
01	L99899	COVER HOUSING	1		L99897	RELIEF SEAL KIT	1
02	L99831	PLUG -16.	2	12	L99895	COVER HOUSING	1
03	L98021	RELIEF CARTRIDGE	2	13	L99904	STUD ASY. KIT	1
	L97359	PLUG SEAL KIT	1	14	L99905	SECTION SEAL KIT	1
04	L99085	LOAD CHECK PLUG KIT	4	15	L99892	WORK SECT. NO. 1 ASY.	1
05	L99086	HRO ACTUATOR "A" PORT	4			<i>(includes 4, 5, 7, 8, 10 and 19)</i>	
	L98894	SEAL KIT, ACCUATOR	AR	16	L99893	WORK SECT. NO. 2 ASY.	1
06	L98029	RELIEF CARTRIDGE	1			<i>(includes 4, 5, 7, 9 and 19)</i>	
	L97359	PLUG SEAL KIT	1	17	L99894	WORK SECT. NO. 3 ASY.	1
07	L99084	HRO ACTUATOR "B" PORT	4			<i>(includes 4 - 9, 19 and 20)</i>	
	L98894	SEAL KIT, ACCUATOR	AR	18	L66576	WORK SECT. NO. 4 ASY.	1
08	L99898	NO RELIEF CARTRIDGE	2			<i>(Includes 3-5, 7 and 19)</i>	
	L97359	PLUG SEAL KIT	1	19	L500300	DUST BOOT, RUBBER	AR
09	L97362	RELIEF CARTRIDGE	2	20	L99903	WORK PORT RESTRICTOR	1
	L97359	PLUG SEAL KIT	1				
10	L97358	NO RELIEF PLUG.	1				
	L97359	PLUG SEAL KIT	1				

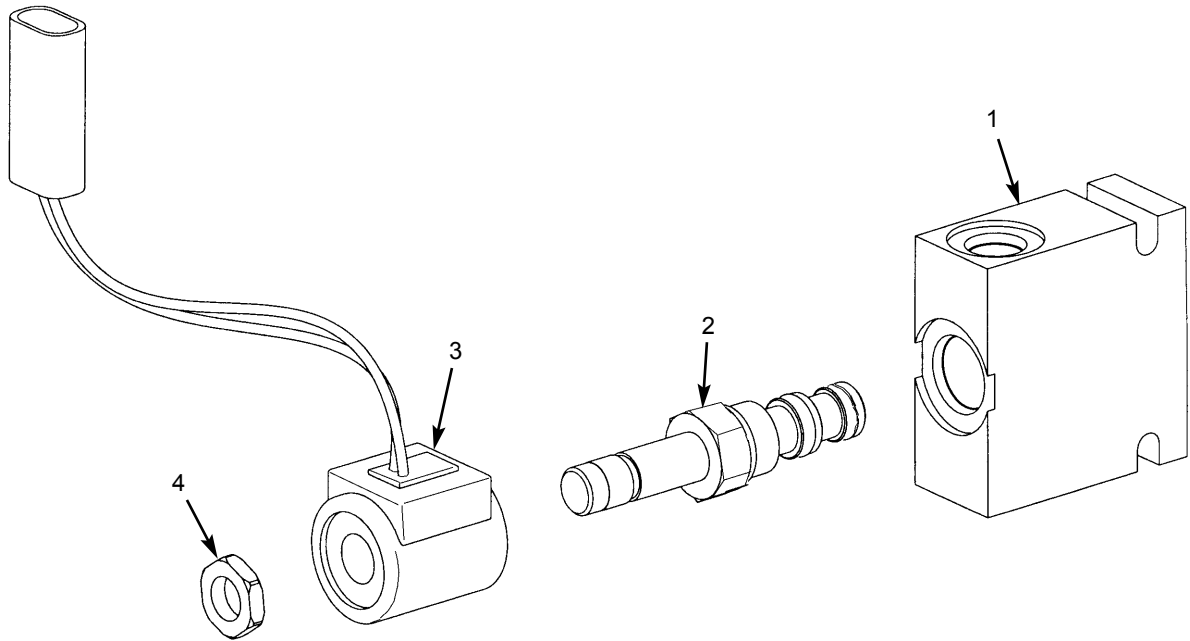


Optional Hydraulics V40 Work Section Breakdown



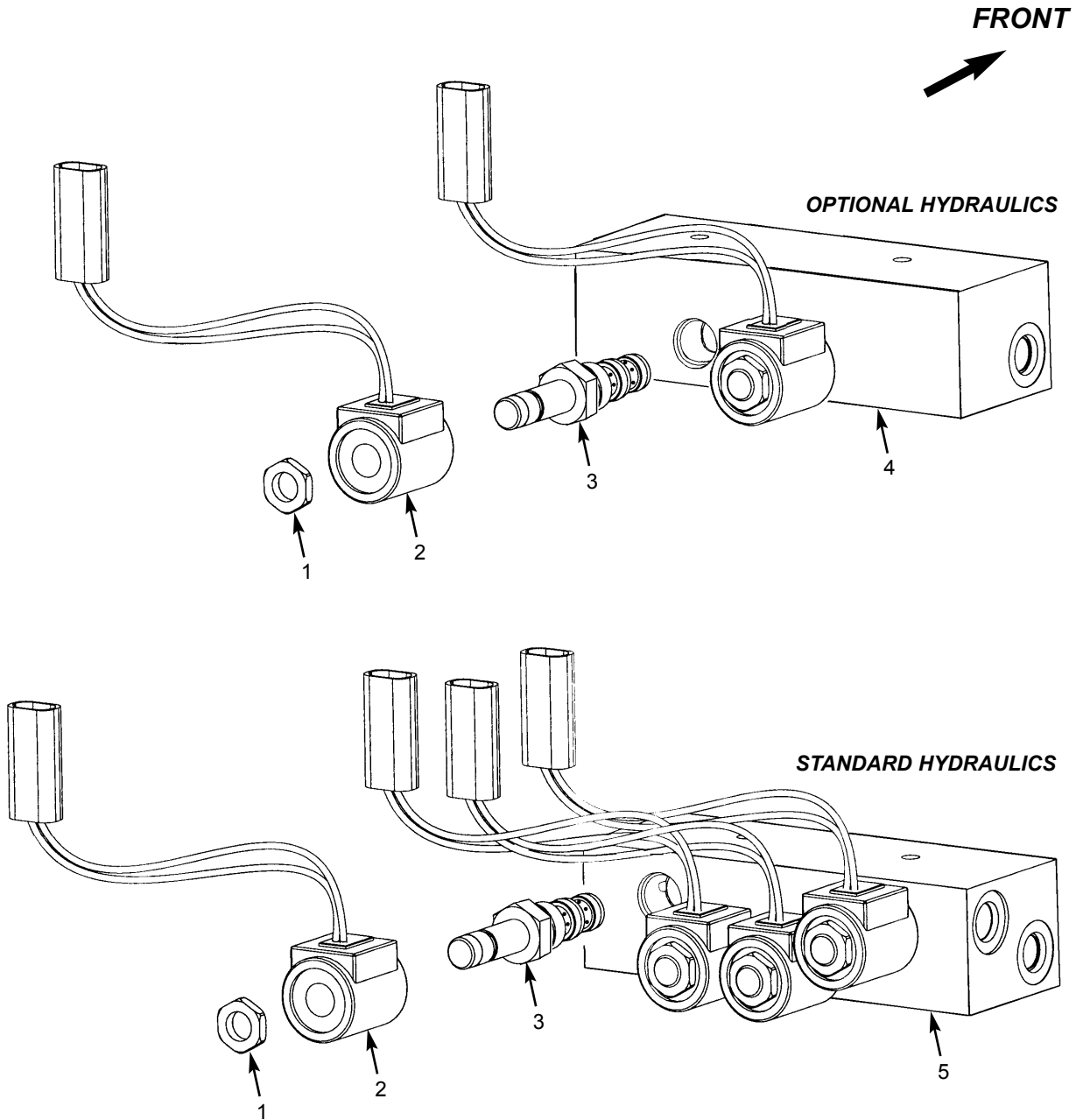
Ref. No.	Part No.	Description	Qty. Req.	Ref. No.	Part No.	Description	Qty. Req.
	L71453	V40 CONTROL VALVE KIT	1	05	L99084	HRO ACTUATOR "B" PORT	1
		(Includes all items shown)			L98894	SEAL KIT, ACCUATOR	AR
01	L66576	WORK SECTION	1	06	L500693	STUD ASY. KIT	1
		(includes 2-5 and 8)				(3/8-16x12" studs, nuts and o-rings)	
02	L99085	LOAD CHECK PLUG KIT	1	07	L99905	SECTION SEAL KIT	1
03	L98021	RELIEF CARTRIDGE	2	08	L500300	DUST BOOT, RUBBER	AR
	L97359	PLUG SEAL KIT	1				
04	L99086	HRO ACTUATOR "A" PORT	1				
	L98894	SEAL KIT, ACCUATOR	AR				

Differential Lock Valve Breakdown



Ref. No.	Part No.	Description	Qty. Req.	Ref. No.	Part No.	Description	Qty. Req.
01	L71733	VALVE	1	03	L99908	COIL/WEATHERPAK 12VDC	1
		(Includes all items shown)		04	NSS	NUT	1
02	L99910	3-WAY 2 POSITION VALVE	1			(Included with item 2)	
		(Includes item 4)					
	L99911	SEAL KIT	1				

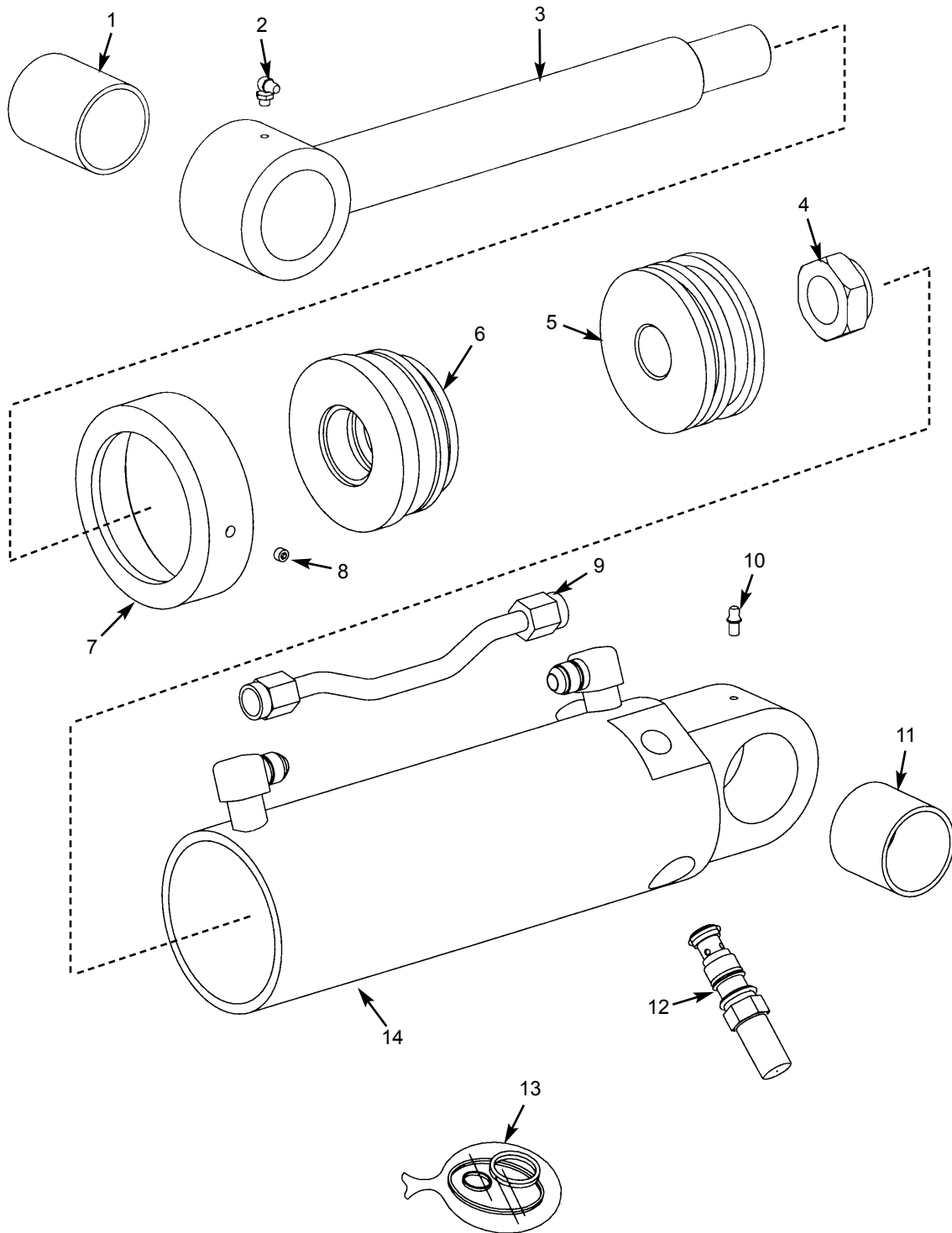
Pilot Manifolds Breakdown



Pilot Manifolds Breakdown

Ref. No.	Part No.	Description	Qty. Req.	Ref. No.	Part No.	Description	Qty. Req.
01	NSS	NUT	6	04 ^a	L71235	PILOT APPLY MANIFOLD.	1
		(Included with item 3)				(<i>OPTIONAL HYDRAULICS</i>)	
02	L99908	COIL, WEATHERPAK 12VDC.	6	05 ^b	L71526	PILOT APPLY MANIFOLD.	1
03	L99909	VALVE, 3-WAY 2 POSITION	6			(<i>STANDARD HYDRAULICS</i>)	
		(Includes item 1)					
	L99911	SEAL KIT, 3-WAY VALVE.	6	<i>a</i>		<i>Includes (2) of items 1, 2 and 3</i>	
				<i>b</i>		<i>Includes (4) of items 1, 2 and 3</i>	

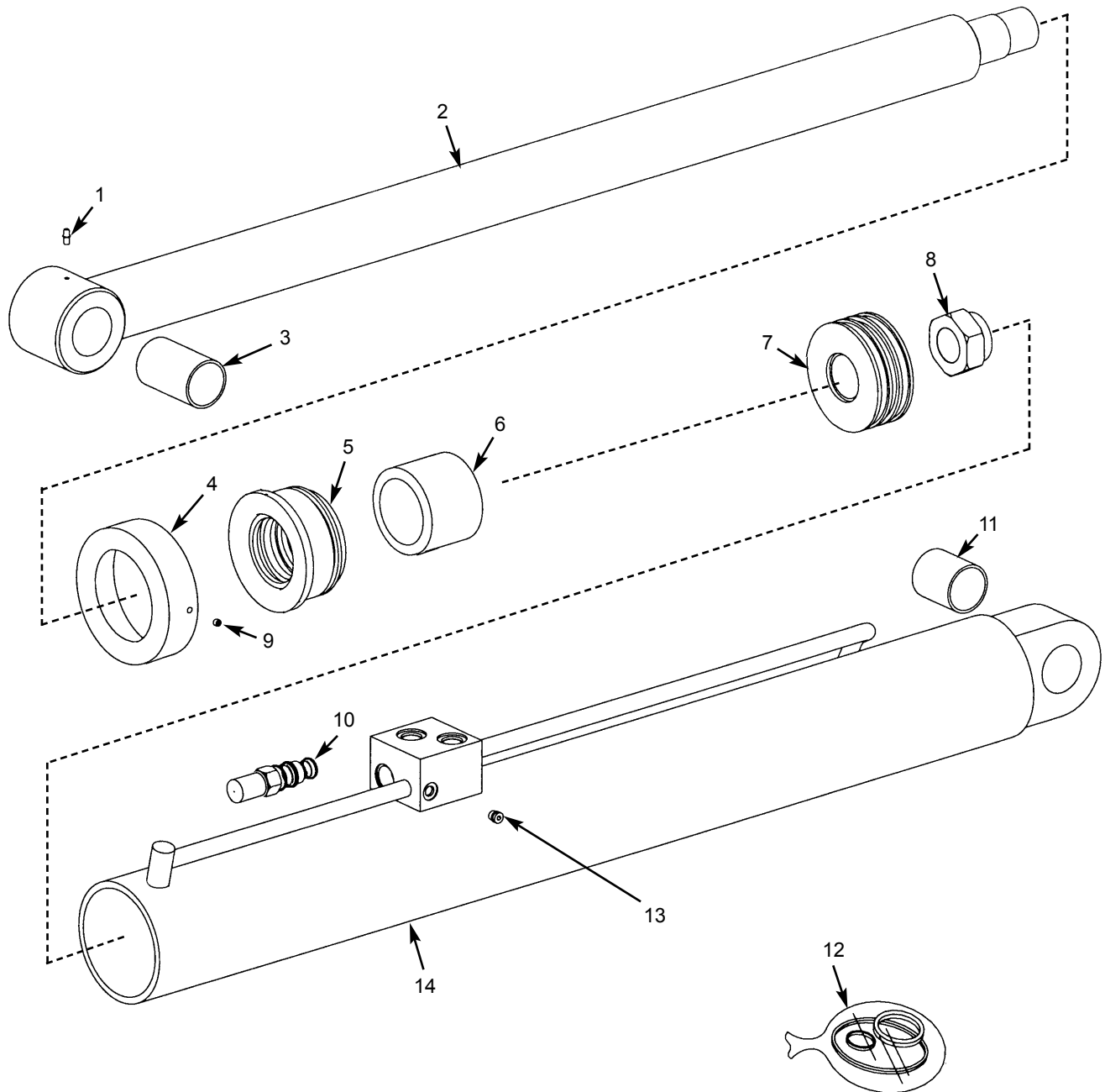
Frame Level Cylinder Breakdown



Frame Level Cylinder Breakdown

Ref. No.	Part No.	Description	Qty. Req.	Ref. No.	Part No.	Description	Qty. Req.
	L63015	COMPLETE ASSEMBLY		09	L98509	OIL LINE TUBE ASSEMBLY	1
01	L63016	BUSHING 2.0X2.25X2.5"	1	10	L10465	1/4-28 GREASE ZERK	1
02	L10057	1/4-28 GREASE ZERK STR	1	11	L64367	BUSHING 2.0X2.25X2.0"	1
03	L98503	ROD WELDMENT	1	12	L70495	COUNTER BALANCE VALVE	2
04	L99405	1-1/4-12 UNF LOCKNUT	1		L97889	SEAL KIT (CBV)	1
05	L98550	PISTON	1	13 ^a	L98506	CYLINDER SEAL KIT	1
06	L98507	HEAD GLAND	1	14	NSS	CYLINDER TUBE WELDMENT . . .	1
07	L98457	HEAD GLAND CAP	1				
08	L99857	5/16-18X1/4" SET SCREW	1	a		<i>Items included in the seal kit are not shown.</i>	

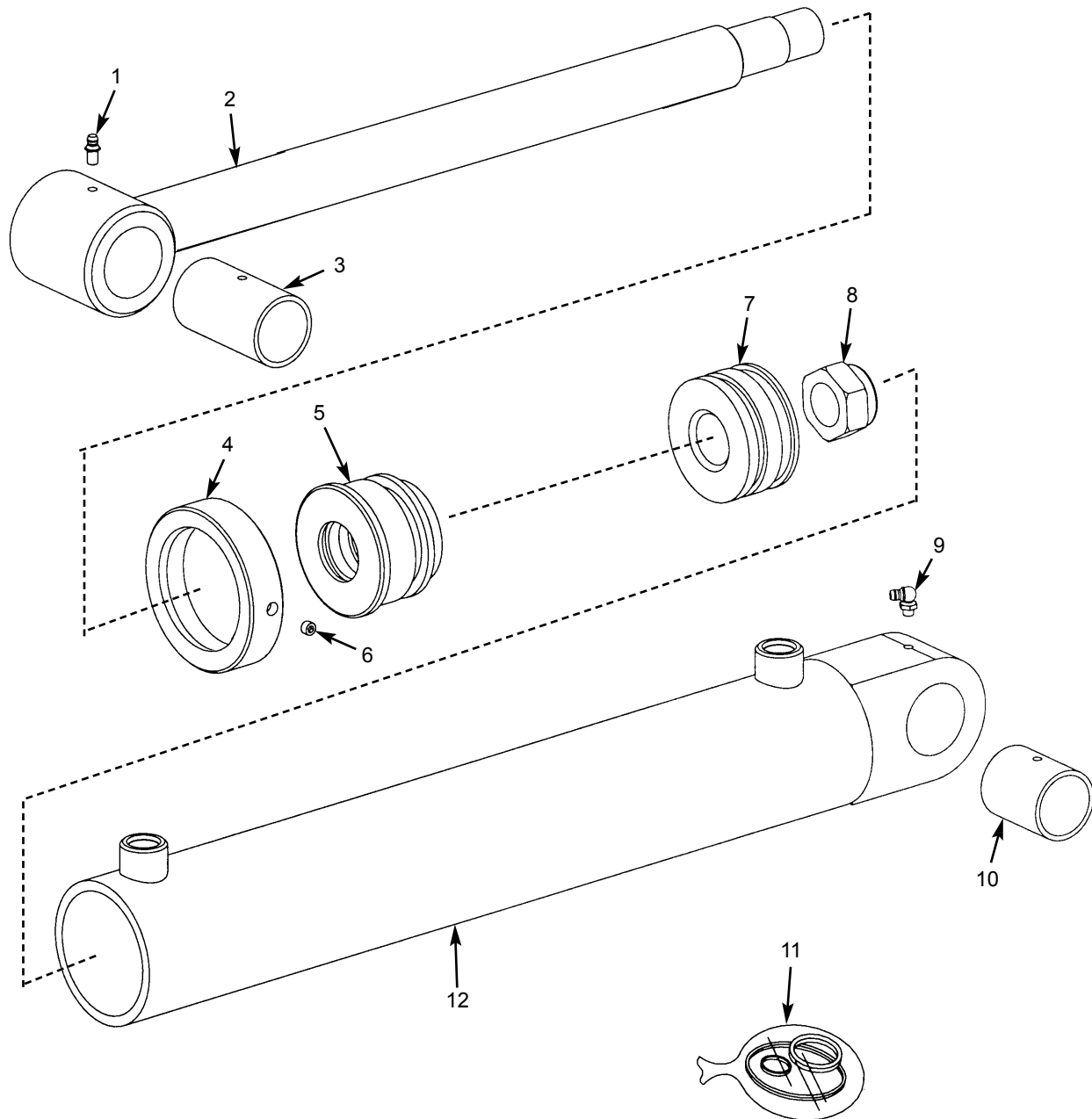
Lift Cylinder Breakdown



Lift Cylinder Breakdown

Ref. No.	Part No.	Description	Qty. Req.	Ref. No.	Part No.	Description	Qty. Req.
	L71426	COMPLETE ASSEMBLY (RIGHT)		09	L99857	5/16-18X1/4" SET SCREW	1
	L71427	COMPLETE ASSEMBLY (LEFT)		10	L70502	CBAL VALVE	1
01	L10465	1/4-28 GREASE ZERK	1		L96838	CB VALVE SEAL KIT	1
02	L99861	ROD WELDMENT	1	11	L69138	BUSHING (BASE END).	1
03	L69142	BUSHING (ROD END)	1	12 ^a	L500663	CYLINDER SEAL KIT	1
04	L99863	HEAD GLAND CAP	1	13	L99917	PLUG -4	1
05	L500681	HEAD GLAND	1	14	NSS	CYLINDER TUBE WELDMENT . . .	1
06	L500682	ROD SPACER	1				
07	L99860	PISTON	1				
08	L99122	1-3/4-12 UNF LOCKNUT	1				
				<i>a</i>	<i>Items included in the seal kit are not shown.</i>		

Slave Cylinder Breakdown

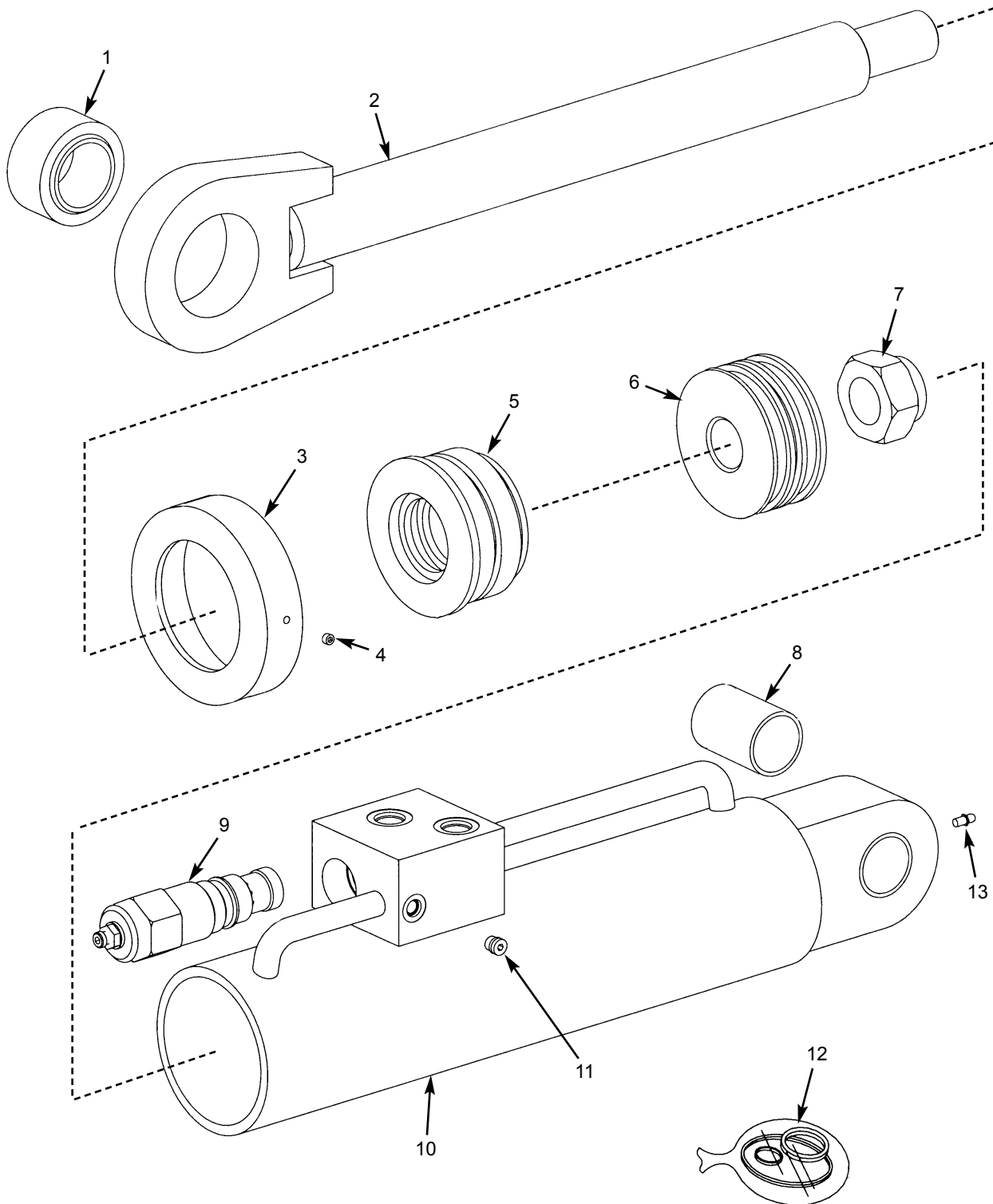


Slave Cylinder Breakdown

Ref. No.	Part No.	Description	Qty. Req.	Ref. No.	Part No.	Description	Qty. Req.
	L69129	COMPLETE ASSEMBLY		08	L500668	1-1/8-12 UNF LOCKNUT.....	1
01	L10465	1/4-28 GREASE ZERK STR.....	1	09	L10057	1/4-28 GREASE ZERK 90 DEG ...	1
02	L500669	ROD WELDMENT.....	1	10	L63017	BUSHING	1
03	L63018	BUSHING	1	11 ^a	L500671	CYLINDER SEAL KIT	1
04	L99397	HEAD GLAND CAP.....	1	12	NSS	CYLINDER TUBE WELDMENT ...	1
05	L500667	HEAD GLAND.....	1				
06	L99857	5/16-18X1/4" SET SCREW	1				
07	L500670	PISTON.....	1				

a Items included in the seal kit are not shown.

Tilt Cylinder Breakdown

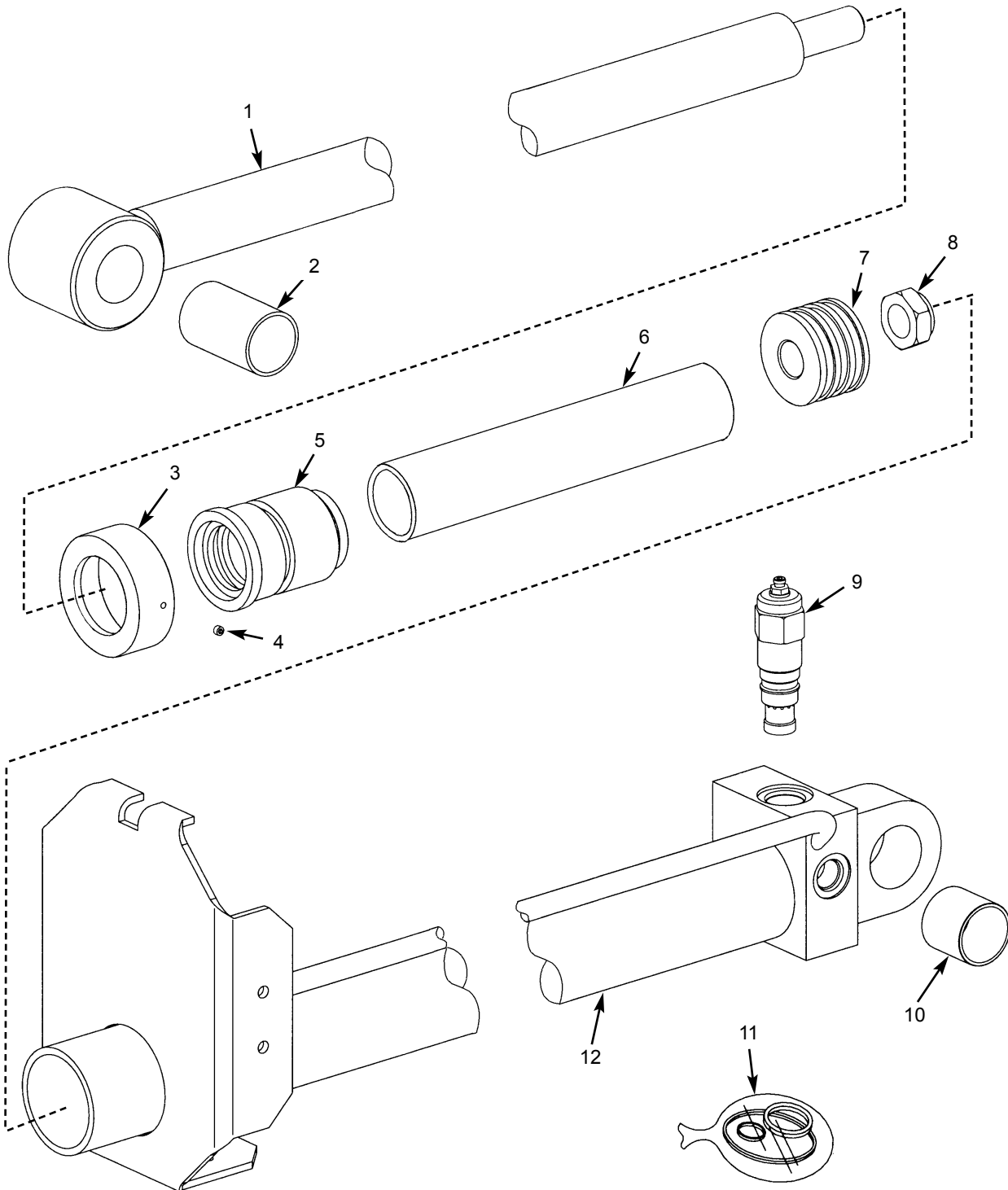


Tilt Cylinder Breakdown

Ref. No.	Part No.	Description	Qty. Req.	Ref. No.	Part No.	Description	Qty. Req.
	L71429	COMPLETE ASSEMBLY		08	L69127	BUSHING (BASE END)	1
01	L99891	SPHERICAL BEARING	1	09	100584	COUNTER BALANCE VALVE	1
02	L500590	ROD WELDMENT	1		L500685	CB VALVE SEAL KIT	1
03	L500582	HEAD GLAND CAP	1	10	NSS	CYLINDER TUBE WELDMENT	1
04	L99879	5/16-18X5/16" SET SCREW	1	11	L99917	PLUG -4	1
05	L500684	HEAD GLAND	1	12 ^a	L500686	CYLINDER SEAL KIT	1
06	L500683	PISTON	1	13	L10465	1/4-28 GREASE ZERK STR	1
07	L99214	1-1/2" -12 UNF LOCKNUT	1				

a Items included in the seal kit are not shown.

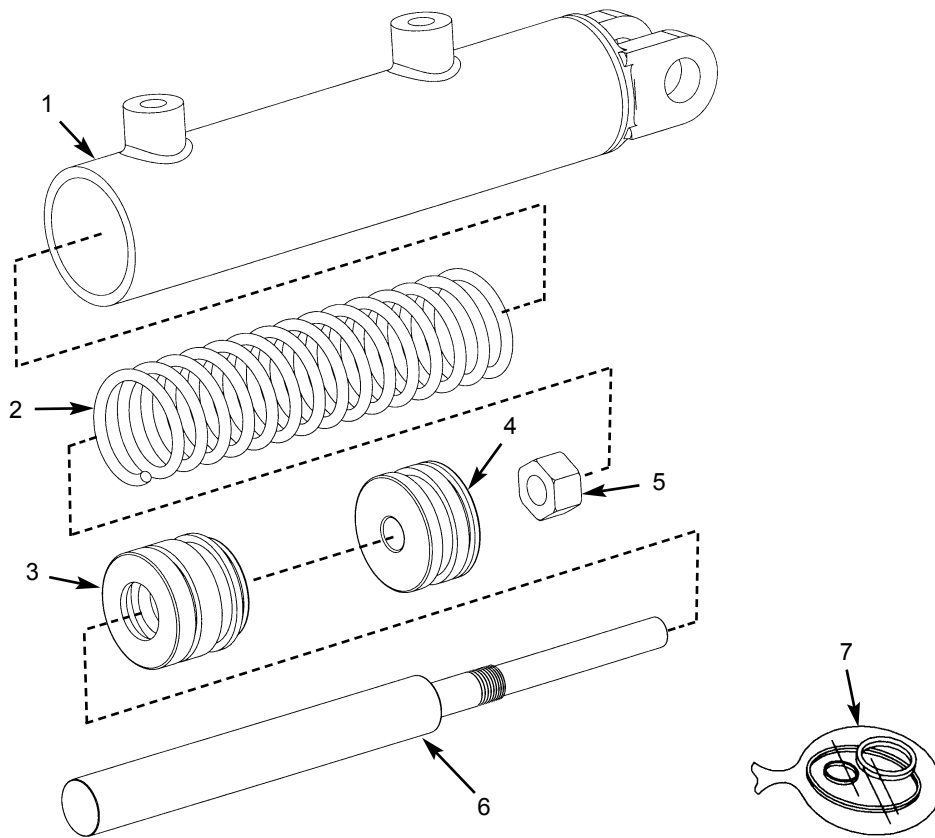
Boom Extend Cylinder Breakdown



Boom Extend Cylinder Breakdown

Ref. No.	Part No.	Description	Qty. Req.	Ref. No.	Part No.	Description	Qty. Req.
	L71423	COMPLETE ASSEMBLY		08	L99405	1-1/4"-12 UNF LOCKNUT	1
01	L500678	ROD WELDMENT	1	09	100584	COUNTER BALANCE VALVE	1
02	L69142	BUSHING (ROD END)	1		L500685	CBAL VALVE SEAL KIT	1
03	L500674	HEAD GLAND CAP	1	10	L71527	BUSHING (BASE END)	1
04	L99857	5/16-18X1/4" SET SCREW	1	11 ^a	L500679	CYLINDER SEAL KIT	1
05	L500676	HEAD GLAND	1	12	NSS	CYLINDER TUBE WELDMENT	1
06	L500677	ROD SPACER	1				
07	L500675	PISTON	1				
				a	<i>Items included in the seal kit are not shown.</i>		

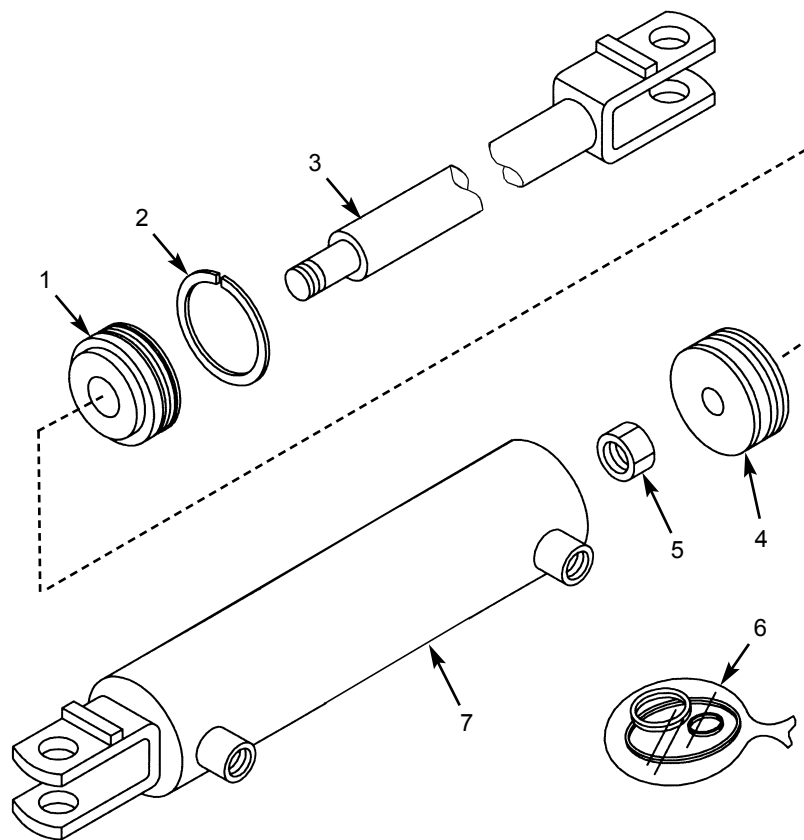
DynacARRIER Lock Cylinder Breakdown



Ref. No.	Part No.	Description	Qty. Req.	Ref. No.	Part No.	Description	Qty. Req.
	L71425	COMPLETE ASSEMBLY		05	L500724	9/16-18 UNF LOCKNUT	1
01	NSS	CYLINDER TUBE WELDMENT . . .	1	06	L500723	CYLINDER ROD	1
02	L500725	DIE SPRING, MED 2X3.69X8	1	07 ^a	L500726	SEALKIT	1
03	L500722	HEAD GLAND	1				
04	L500721	PISTON	1				

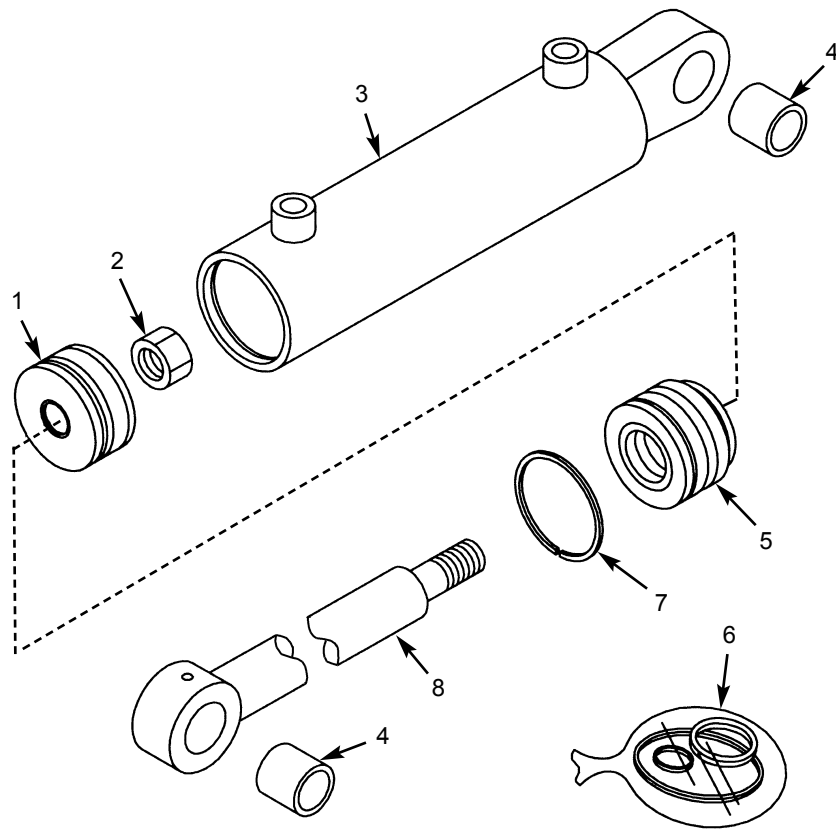
a Items included in seal kit are not shown.

Push Arm Cylinder Breakdown



Ref. No.	Part No.	Description	Qty. Req.	Ref. No.	Part No.	Description	Qty. Req.
	L274620	COMPLETE ASSEMBLY		05	080313	1-14 UNS LOCKNUT.....	1
01	L98660	END GLAND	1	06 ^a	L97955	SEAL KIT.....	1
02	NSS	SNAP RING	1			(Includes item 2)	
03	L98668	ROD WELDMENT	1	07	NSS	CYLINDER TUBE WELDMENT ...	1
04	L98659	PISTON	1	a		<i>Not all items included in the seal kit are shown.</i>	

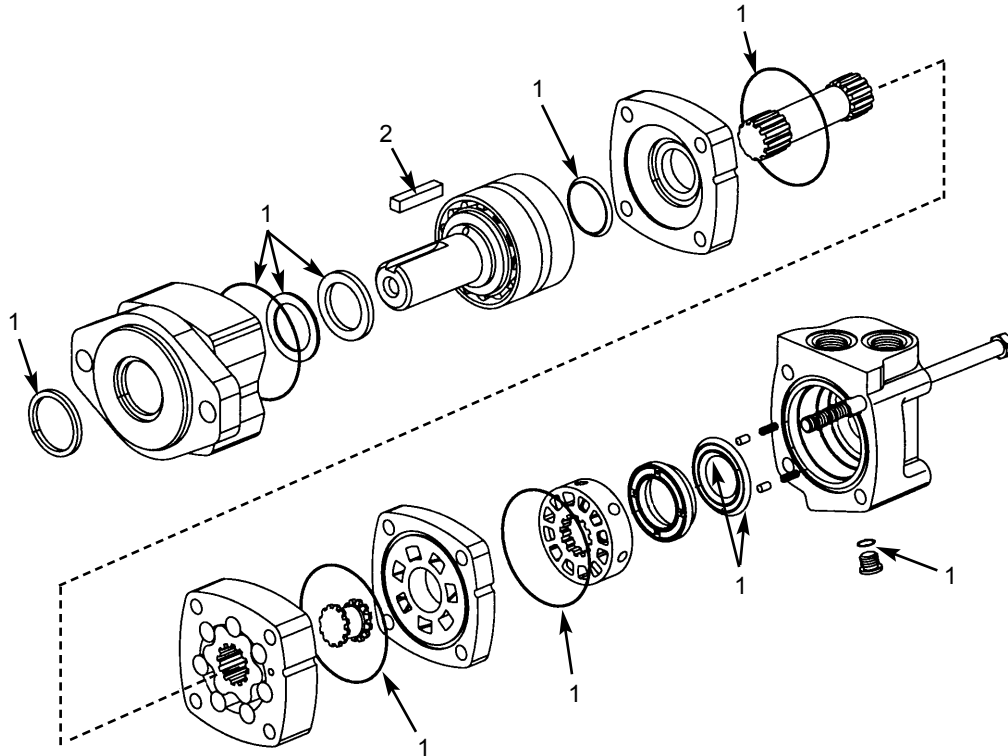
Grapple Cylinder Breakdown



Ref. No.	Part No.	Description	Qty. Req.	Ref. No.	Part No.	Description	Qty. Req.
	L67248	COMPLETE ASSEMBLY		06 ^a	L98922	SEAL KIT	1
01	L98921	PISTON	1			(Includes item 7)	
02	080319	3/4-16 UNF LOCKNUT	1	07	NSS	SNAP RING	1
03	NSS	CYLINDER TUBE WELDMENT	1			(Included with item 6)	
04	L63593	BUSHING 1"x1.25"x1.5"	2	08	L98923	ROD WELDMENT	1
05	L98919	HEAD GLAND	1				

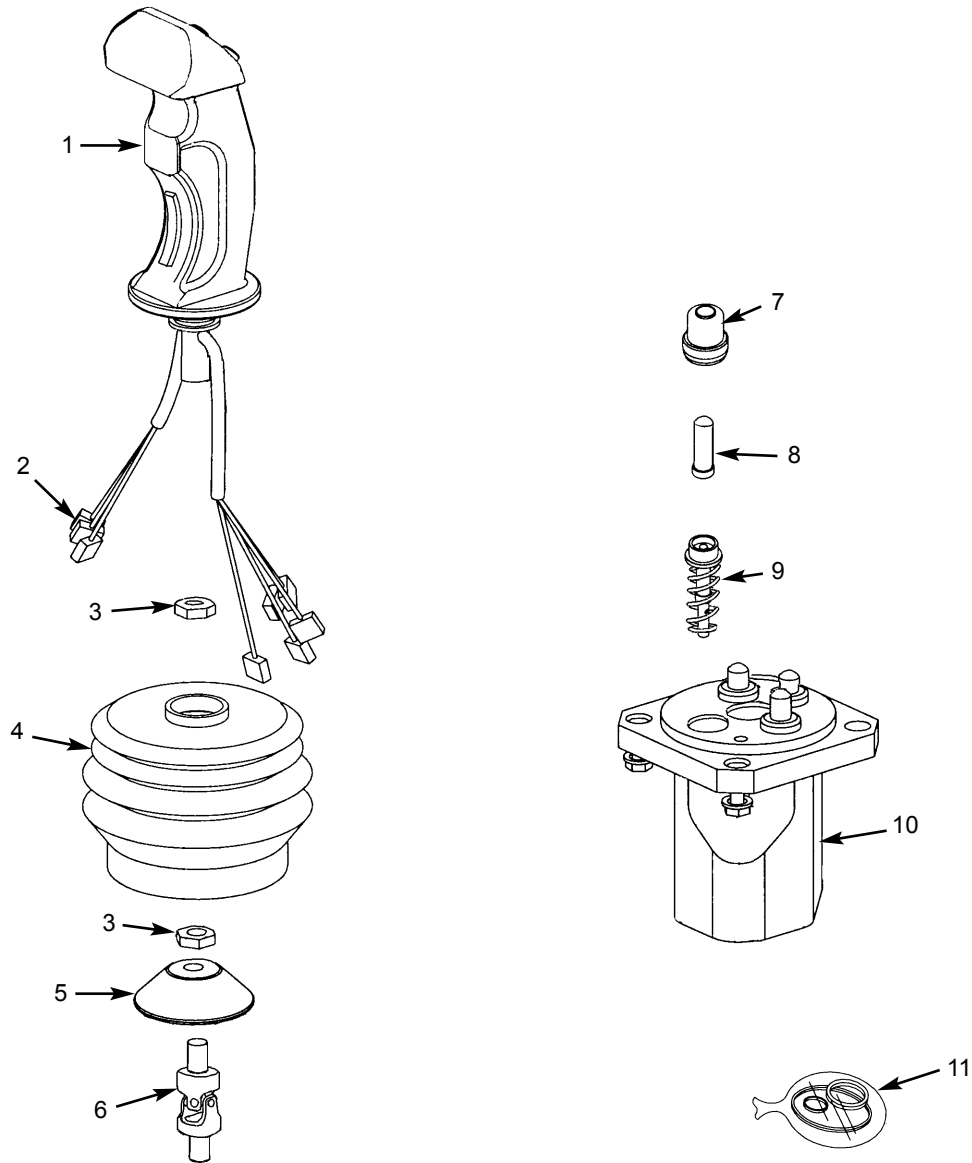
a Not all items included in the seal kit are shown.

Bunker Buster™ Hydraulic Motor Breakdown



Ref. No.	Part No.	Description	Qty. Req.	Ref. No.	Part No.	Description	Qty. Req.
101368		COMPLETE ASSEMBLY (Hydraulic Motor 24.0 cu. in. with reliefs)		01	L500727	SEAL KIT.....	1
				02	090637	KEY, 5/16X5/16X1-3/4".....	1

Joystick Controller



Joystick Controller

Ref. No.	Part No.	Description	Qty. Req.	Ref. No.	Part No.	Description	Qty. Req.
	L71346	JOYSTICK 4BUTTN/TRIGGER . . .	1	09	L500691	PILOT SRPING PACK C094	4
01	L500371	HANDLE W/4 BUTTONS	1	10	L500672	BODY ASSEMBLY	1
02	L62761	WIRE CONNECTOR	8			(Includes items 7-9)	
03	L500688	NUT M10 UNI	2	11 ^a	L500653	SEAL REPAIR KIT	1
04	L500656	RUBBER BOOT	1				
05	L500689	SELECTOR DISC	1				
06	L500652	UNIVERSAL JOINT	1	<i>a</i>		<i>Items included in the seal kit are not shown.</i>	
07	L500692	SPINDLE GUIDE ASSEMBLY	4				
08	L500690	HPV SPINDLE 10mm	4				

Part No.	Page No.	Ref. No.	Part No.	Page No.	Ref. No.	Part No.	Page No.	Ref. No.	Part No.	Page No.	Ref. No.
056859	11	15	100575	69	05	101397	69	23	101729	29	13
067847	81	14	100575	71	26	101421	69	24	101730	29	14
072794	11	06	100584	263	09	101422	69	25	101731	29	15
072797	11	07	100584	265	09	101436	69	30	101732	29	03
072798	11	14	100616	69	09	101443	13	42	101733	26	08
080313	267	05	100616	71	28	101453	69	27	101736	13	41
080319	268	02	100751	51	14	101457	73	11	101737	37	04
081751	189	18	100751	79	29	101466	10	03	101738	37	08
088296	15	17	100971	235	28	101467	11	03	101739	37	09
089069	41	33	100989	71	38	101468	11	10	101740	37	10
089069	43	09	100995	71	39	101480	10	03	101741	37	11
089070	41	33	100996	71	40	101480	11	04	101742	37	12
089070	43	09	101000	69	00	101487	13	23	101743	13	39
090637	189	04	101000	71	32	101490	41	09	101743	33	13
090637	189	07	101000	71	36	101491	41	08	101743	37	13
090637	269	02	101158	13	32	101492	41	05	101744	37	15
093475	9	05	101158	15	32	101493	41	10	101745	37	16
094951	9	09	101181	169	14	101493	65	06	101746	37	17
100003	123	04	101182	169	13	101494	41	13	101747	37	18
100003	135	04	101226	51	12	101508	45	00	101748	37	19
100006	135	06	101231	181	02	101508	53	28	101749	37	22
100007	135	06	101231	183	02	101523	85	12	101750	33	18
100008	123	04	101232	169	09	101524	41	12	101750	37	23
100008	135	04	101233	169	07	101528	41	14	101751	37	24
100009	71	29	101247	73	03	101550	41	06	101752	37	25
100010	71	34	101250	79	06	101650	45	32	101753	33	04
100022	189	06	101278	41	32	101650	53	22	101754	13	38
100023	189	03	101291	63	13	101667	13	24	101754	33	10
100024	189	02	101308	125	43	101682	87	05	101755	33	12
100025	189	16	101308	214	01	101692	207	06	101756	33	14
100069	189	11	101310	189	20	101692	215	05	101757	33	15
100080	189	03	101317	199	03	101709	33	11	101758	33	19
100081	189	19	101317	215	01	101709	37	07	101759	33	21
100100	217	05	101319	207	04	101710	37	14	101761	29	00
100102	67	18	101319	207	05	101711	13	2	101762	37	00
100104	189	04	101320	203	17	101712	13	6	101763	33	00
100105	189	17	101320	207	10	101713	13	13	101764	19	00
100252	123	09	101349	69	13	101714	13	14	101767	13	43
100252	229	25	101349	85	10	101715	26	03	101772	13	16
100255	123	10	101356	13	37	101716	25	20	101773	13	17
100259	123	06	101357	181	16	101717	25	07	101774	13	18
100260	123	06	101357	183	28	101718	25	04	101790	29	11
100263	97	08	101358	169	06	101719	33	16	101792	37	15
100264	97	08	101364	73	19	101720	13	40	101793	37	26
100330	123	12	101367	189	01	101722	26	02	101794	37	28
100332	123	12	101368	189	13	101723	25	01	101818	79	06
100341	185	04	101368	269	00	101724	26	01	101825	45	12
100488	69	17	101378	41	35	101725	19	32	101825	53	12
100523	189	14	101378	45	00	101726	19	33	101827	81	05
100524	189	14	101378	53	27	101727	29	05	101828	81	16
100527	83	03	101383	215	03	101728	29	12	101831	69	32

Part No.	Page No.	Ref. No.	Part No.	Page No.	Ref. No.	Part No.	Page No.	Ref. No.	Part No.	Page No.	Ref. No.
101835	243	10	102322	55	03	910100	8	00	L444001	219	12
101836	243	09	102323	125	18	L10057	229	23	L444001	235	14
101840	45	25	102324	125	04	L10057	257	02	L444001	237	20
101840	53	19	102743	13	56	L10057	261	09	L444001	239	14
101841	45	27	102743	15	00	L10465	186	07	L444001	241	13
101841	53	21	102864	13	54	L10465	191	27	L444001	97	12
101843	45	26	102865	15	35	L10465	229	09	L444002	183	27
101843	53	20	102866	13	55	L10465	231	10	L444002	191	45
101848	45	36	102866	15	36	L10465	233	07	L444002	193	19
101848	53	26	102867	187	01	L10465	235	19	L444002	197	11
101849	45	35	102868	187	07	L10465	237	23	L444002	199	04
101849	53	25	102869	187	05	L10465	257	10	L444002	201	05
101869	79	23	102870	187	09	L10465	259	01	L444002	203	11
101870	79	16	102871	187	10	L10465	261	01	L444002	205	11
101881	211	01	122288	10	03	L120041	85	18	L444002	212	03
101881	57	17	122745	11	08	L120041	87	11	L444002	213	03
101884	59	01	131799	67	25	L120047	89	02	L444002	215	02
101925	79	07	131940	67	22	L274620	186	23	L444002	217	06
101926	85	05	137502	45	34	L274620	267	00	L444002	219	02
101960	73	03	137502	53	24	L276517	186	22	L444002	221	04
101961	73	04	138563	45	06	L276632	181	14	L444002	223	04
101962	73	04	163957	189	01	L276632	186	21	L444002	225	04
101963	73	03	184764	8	00	L277484	77	15	L444002	239	18
101964	69	33	184765	8	00	L400207	177	12	L444002	241	18
101965	69	19	430073	181	01	L400207	237	07	L444002	61	09
101966	69	20	430073	183	01	L400425	185	16	L444004	207	01
101967	69	18	430074	169	08	L400425	189	05	L444005	203	04
101972	13	50	430075	169	10	L40929	185	18	L444005	205	04
101992	243	02	500968	57	17	L41179	79	26	L444008	197	34
101994	69	00	650027	81	09	L41261	57	02	L444010	231	02
102031	81	07	650490	81	03	L41770	191	05	L444011	239	26
102064	81	02	650542	47	15	L41770	243	12	L444011	241	25
102065	81	23	650584	19	15	L41848	41	34	L444012	197	31
102066	81	20	650697	17	05	L41848	43	10	L444060	197	09
102072	243	15	650835	69	28	L42342	61	03	L444080	197	16
102073	243	16	651574	39	04	L42871	185	02	L445001	237	17
102074	69	00	651599	125	41	L42871	185	06	L445001	243	03
102110	243	14	653005	47	24	L42871	185	12	L445001	75	04
102111	243	20	654002	47	17	L42871	185	20	L445001	97	05
102173	3	00	654022	45	09	L42871	186	02	L445002	197	18
102174	3	00	654022	47	16	L43221	75	22	L445002	199	10
102176	73	04	654022	49	07	L43221	77	19	L445002	233	05
102258	243	19	654022	53	09	L43964	73	07	L445003	191	38
102260	243	00	654022	55	16	L43965	63	11	L445003	193	14
102262	81	00	654022	69	29	L441010	75	16	L445003	199	17
102278	81	01	654049	81	12	L441010	77	14	L445003	201	02
102279	243	01	656052	123	07	L442004	75	03	L445003	212	02
102280	243	08	906213	8	00	L442004	77	02	L445003	213	07
102289	243	15	906214	8	00	L442059	85	08	L445003	217	02
102291	81	13	906317	8	00	L442059	87	17	L445003	221	08
102292	81	17	906318	8	00	L443004	197	03	L445003	223	07

Part No.	Page No.	Ref. No.	Part No.	Page No.	Ref. No.	Part No.	Page No.	Ref. No.	Part No.	Page No.	Ref. No.
L445003	227	08	L500001	23	08	L500021	31	05	L500037	35	14
L445003	239	17	L500001	23	08	L500021	33	06	L500037	37	05
L445003	241	16	L500001	23	19	L500021	35	06	L500038	33	09
L445003	61	10	L500001	25	18	L500021	37	02	L500038	35	15
L445003	75	06	L500002	23	05	L500022	19	08	L500038	37	06
L445004	191	42	L500003	23	09	L500022	21	36	L500039	35	02
L445005	186	12	L500004	19	09	L500022	21	36	L500040	35	10
L445005	229	03	L500004	21	23	L500022	26	07	L500041	35	19
L445007	97	06	L500004	21	23	L500022	29	08	L500042	33	17
L445011	243	18	L500004	23	07	L500022	31	06	L500042	35	13
L445013	211	03	L500004	23	07	L500022	35	08	L500042	37	20
L445013	57	09	L500004	25	19	L500022	37	03	L500043	35	04
L445090	219	11	L500005	23	21	L500023	21	04	L500046	35	16
L445090	231	06	L500005	23	21	L500023	21	04	L500049	17	06
L445123	183	07	L500006	23	19	L500023	31	07	L500050	15	24
L446001	75	28	L500008	23	04	L500023	35	18	L500052	17	07
L446014	97	02	L500008	23	04	L500023	59	13	L500055	13	4
L446020	219	18	L500009	23	03	L500024	29	09	L500055	27	04
L446020	233	03	L500011	23	01	L500024	31	08	L500057	13	7
L446020	77	04	L500013	23	16	L500025	19	10	L500057	15	21
L446024	209	02	L500013	23	18	L500025	21	06	L500057	27	03
L446024	211	09	L500014	23	10	L500025	21	06	L500058	15	19
L446024	57	15	L500016	23	06	L500025	29	10	L500059	17	13
L446026	197	33	L500016	23	06	L500025	31	09	L500059	45	33
L446034	219	17	L500017	19	01	L500026	31	10	L500059	53	23
L446034	237	18	L500017	21	37	L500027	19	12	L500060	13	8
L446034	239	12	L500017	21	37	L500027	21	30	L500064	13	1
L446034	241	10	L500017	26	04	L500027	21	30	L500067	17	04
L446038	183	14	L500017	29	01	L500027	31	11	L500068	15	22
L446042	207	09	L500017	31	01	L500028	19	13	L500069	15	20
L446044	203	18	L500017	33	02	L500028	21	05	L500070	13	10
L446047	75	26	L500017	35	17	L500028	21	05	L500070	17	10
L446048	197	15	L500017	37	01	L500028	31	12	L500071	17	09
L446048	213	11	L500019	19	05	L500029	31	13	L500072	17	08
L446049	217	04	L500019	21	02	L500030	19	29	L500075	17	16
L447034	219	09	L500019	21	02	L500030	21	31	L500076	17	19
L447034	221	01	L500019	29	04	L500030	21	31	L500077	17	11
L448002	227	11	L500019	31	03	L500030	31	14	L500080	13	11
L448002	75	18	L500020	19	06	L500031	19	30	L500080	57	19
L448013	183	24	L500020	21	34	L500031	21	03	L500081	13	12
L47212	243	06	L500020	21	34	L500031	21	03	L500082	17	02
L47263	185	18	L500020	26	05	L500031	31	15	L500082	39	01
L47265	185	18	L500020	29	06	L500032	21	38	L500083	39	02
L47270	123	01	L500020	31	04	L500032	21	38	L500084	39	03
L47270	123	01	L500020	33	05	L500032	27	02	L500086	39	05
L47270	135	01	L500020	35	09	L500033	27	01	L500087	39	06
L48806	191	31	L500021	19	07	L500034	33	01	L500088	39	07
L48806	193	06	L500021	21	35	L500034	35	07	L500089	39	08
L500001	19	03	L500021	21	35	L500036	33	03	L500090	39	09
L500001	21	09	L500021	26	06	L500036	35	05	L500091	39	10
L500001	21	09	L500021	29	07	L500037	33	08	L500092	39	11

Part No.	Page No.	Ref. No.	Part No.	Page No.	Ref. No.	Part No.	Page No.	Ref. No.	Part No.	Page No.	Ref. No.
L500093	39	12	L500148	45	17	L500190	191	22	L500381	137	33
L500094	39	13	L500148	47	25	L500197	185	11	L500381	147	29
L500095	39	14	L500148	53	17	L500211	185	05	L500382	137	36
L500096	39	16	L500148	55	25	L500221	185	19	L500382	147	33
L500097	39	17	L500150	45	15	L500224	79	08	L500383	137	37
L500098	21	14	L500150	47	21	L500225	13	37	L500383	147	25
L500098	21	14	L500150	53	15	L500225	15	05	L500383	159	33
L500098	25	05	L500150	55	21	L500227	75	10	L500384	137	38
L500098	37	27	L500151	45	14	L500227	77	11	L500384	147	26
L500099	19	02	L500151	47	18	L500228	17	15	L500384	159	34
L500099	21	15	L500151	53	14	L500244	15	32	L500385	137	39
L500099	21	15	L500151	55	18	L500245	15	32	L500385	147	06
L500099	25	15	L500152	45	13	L500266	127	08	L500385	159	32
L500101	21	17	L500152	47	20	L500266	139	02	L500386	149	05
L500101	21	26	L500152	53	13	L500266	149	17	L500387	139	11
L500102	21	29	L500152	55	20	L500266	161	02	L500387	149	15
L500103	21	18	L500157	45	07	L500267	127	20	L500387	161	13
L500104	21	22	L500157	53	07	L500267	139	03	L500388	142	08
L500104	21	22	L500158	53	06	L500267	149	16	L500388	165	08
L500104	23	09	L500158	55	12	L500267	161	03	L500389	143	01
L500106	21	27	L500159	45	05	L500268	35	12	L500389	155	01
L500107	21	16	L500159	47	14	L500269	35	11	L500390	143	02
L500108	21	13	L500159	53	05	L500280	139	04	L500390	155	02
L500108	23	15	L500159	55	14	L500280	149	04	L500391	143	12
L500109	21	01	L500160	45	04	L500280	161	04	L500391	155	12
L500110	21	10	L500160	47	13	L500300	251	19	L500392	143	14
L500110	21	12	L500160	53	04	L500300	252	08	L500392	155	14
L500111	19	31	L500160	55	13	L500311	73	09	L500393	143	16
L500111	21	33	L500161	45	03	L500312	73	10	L500393	155	16
L500111	21	33	L500161	47	22	L500339	67	17	L500394	144	06
L500112	21	08	L500161	53	03	L500347	197	37	L500394	156	06
L500113	21	07	L500161	55	22	L500348	197	36	L500394	166	06
L500114	21	21	L500162	45	02	L500349	197	38	L500395	159	03
L500114	33	07	L500162	47	19	L500352	227	13	L500396	159	16
L500117	27	00	L500162	53	02	L500352	75	19	L500397	137	30
L500120	39	00	L500162	55	19	L500355	35	00	L500397	159	29
L500124	17	01	L500163	45	01	L500359	35	03	L500398	45	16
L500125	13	15	L500163	47	23	L500360	35	01	L500398	47	11
L500125	17	03	L500163	53	01	L500371	271	01	L500398	53	16
L500136	47	05	L500163	55	23	L500375	97	00	L500398	55	11
L500136	55	05	L500164	47	09	L500376	137	01	L500403	45	28
L500137	47	04	L500164	55	09	L500376	137	17	L500403	47	40
L500137	55	04	L500165	47	08	L500376	159	01	L500430	197	39
L500138	47	02	L500165	55	08	L500376	159	17	L500439	57	22
L500138	55	02	L500166	47	07	L500377	137	03	L500439	9	18
L500139	47	01	L500166	55	07	L500377	147	05	L500440	102	01
L500139	55	01	L500167	47	06	L500378	137	16	L500442	8	00
L500147	45	18	L500167	55	06	L500378	147	27	L500443	8	00
L500147	47	26	L500168	47	10	L500380	137	32	L500443	8	00
L500147	53	18	L500168	55	10	L500380	147	11	L500443	9	17
L500147	55	26	L500169	17	21	L500380	159	31	L500450	187	06

Part No.	Page No.	Ref. No.	Part No.	Page No.	Ref. No.	Part No.	Page No.	Ref. No.	Part No.	Page No.	Ref. No.
L50050	79	03	L500598	79	20	L500638	151	11	L500693	252	06
L50051	205	06	L500600	113	42	L500639	151	12	L500694	19	14
L50051	41	16	L500600	116	06	L500640	156	02	L500694	21	21
L50051	43	19	L500601	109	01	L500641	156	10	L500695	19	16
L50051	45	10	L500602	109	13	L500642	141	01	L500695	21	11
L50051	49	08	L500602	113	13	L500643	141	04	L500695	23	17
L50051	53	10	L500603	109	14	L500644	141	05	L500695	25	16
L50051	55	24	L500603	113	14	L500645	141	06	L500696	19	17
L50051	57	06	L500604	109	30	L500652	271	06	L500696	21	10
L50051	59	10	L500604	113	30	L500653	271	11	L500696	21	12
L50051	79	25	L500605	113	01	L500656	271	04	L500696	23	18
L50051	81	21	L500606	67	18	L500657	67	09	L500696	25	17
L50051	83	11	L500607	23	20	L500658	142	07	L500697	19	18
L500548	17	18	L500607	23	20	L500658	154	07	L500697	21	19
L50056	67	16	L500607	33	20	L500658	165	07	L500697	23	12
L50056	69	14	L500607	37	21	L50066	61	05	L500697	25	10
L50056	81	04	L500608	147	01	L500660	185	01	L500698	23	14
L50056	83	04	L500609	147	07	L500661	186	01	L500699	23	13
L500569	13	51	L50061	135	07	L500662	189	14	L500700	19	20
L500569	15	26	L50061	245	03	L500663	259	12	L500700	21	24
L500570	45	22	L50061	51	08	L500664	45	30	L500700	25	13
L500570	47	29	L50061	73	17	L500664	47	41	L500701	19	21
L500571	47	28	L50061	77	12	L500665	45	29	L500701	21	16
L500571	55	28	L50061	89	06	L500665	47	42	L500701	25	06
L500573	47	30	L500610	147	20	L500666	45	31	L500702	19	22
L500573	55	29	L500612	147	28	L500666	47	43	L500702	21	26
L500574	45	24	L500613	147	30	L500667	261	05	L500703	19	23
L500574	47	31	L500614	147	35	L500668	261	08	L500703	21	29
L500575	45	23	L500615	150	10	L500669	261	02	L500703	25	02
L500575	47	32	L500617	149	06	L500670	261	07	L500704	23	05
L500576	45	20	L500618	125	24	L500671	261	11	L500705	23	03
L500576	47	33	L500618	149	11	L500672	271	10	L500706	19	24
L500577	45	19	L500619	149	22	L500674	265	03	L500706	21	25
L500577	47	34	L500620	149	23	L500675	265	07	L500706	25	12
L500578	45	11	L500621	153	01	L500676	265	05	L500707	19	25
L500578	47	27	L500622	153	02	L500677	265	06	L500707	21	28
L500578	53	11	L500623	153	03	L500678	265	01	L500708	19	26
L500578	55	27	L500624	153	04	L500679	265	11	L500708	21	00
L500579	47	12	L500625	153	05	L500680	23	02	L500708	23	15
L500580	45	21	L500626	153	06	L500681	259	05	L500709	19	27
L500580	47	35	L500627	153	07	L500682	259	06	L500709	21	20
L500582	263	03	L500628	153	08	L500683	263	06	L500709	23	11
L500585	183	22	L500629	153	09	L500684	263	05	L500709	25	03
L50059	67	06	L500630	153	10	L500685	263	09	L500709	25	14
L500590	263	02	L500631	153	11	L500685	265	09	L500710	23	16
L500591	49	01	L500632	153	12	L500686	263	12	L500711	19	28
L500592	49	02	L500633	153	13	L500688	271	03	L500711	21	18
L500593	49	03	L500634	153	14	L500689	271	05	L500711	25	11
L500594	49	04	L500635	153	15	L500690	271	08	L500712	21	00
L500595	49	09	L500636	151	01	L500691	271	09	L500712	23	15
L500596	49	10	L500637	151	08	L500692	271	07	L500713	21	01

Part No.	Page No.	Ref. No.	Part No.	Page No.	Ref. No.	Part No.	Page No.	Ref. No.	Part No.	Page No.	Ref. No.
L500714	23	01	L500807	125	27	L500846	129	07	L500887	133	09
L500715	21	07	L500808	125	29	L500847	128	07	L500889	132	02
L500716	23	10	L500809	125	30	L500847	129	07	L500890	132	03
L500717	23	09	L50081	17	24	L500848	128	07	L500891	132	04
L500718	19	11	L500810	125	31	L500848	129	07	L500892	132	07
L500718	21	08	L500811	125	33	L500849	128	07	L500893	132	08
L500718	23	19	L500812	125	34	L500849	129	07	L500894	132	09
L500718	25	09	L500813	125	36	L500850	128	07	L500895	132	10
L500719	19	19	L500814	125	37	L500850	129	07	L500896	132	11
L500719	21	17	L500815	125	38	L500851	128	07	L500897	132	14
L500719	25	08	L500816	125	39	L500851	129	07	L500898	132	15
L500720	51	21	L500817	125	40	L500852	128	07	L500899	132	16
L500721	266	04	L500818	127	01	L500852	129	07	L500900	132	17
L500722	266	03	L500819	127	02	L500853	128	07	L500901	132	18
L500723	266	06	L500820	127	03	L500853	129	07	L500902	132	19
L500724	266	05	L500821	127	04	L500854	128	08	L500903	132	20
L500725	266	02	L500822	127	05	L500854	129	08	L500904	132	21
L500726	266	07	L500823	127	07	L500855	128	09	L500905	127	18
L500727	269	01	L500824	127	09	L500855	129	09	L500906	127	23
L500747	13	42	L500825	127	10	L500856	128	10	L500907	129	01
L500747	13	51	L500826	127	11	L500856	129	10	L500908	129	11
L500747	15	26	L500827	127	12	L500857	128	11	L500909	129	12
L500748	13	42	L500828	127	13	L500858	130	01	L500934	8	00
L500765	187	04	L500829	127	14	L500859	130	02	L500940	214	04
L500766	187	04	L500830	127	15	L500860	130	03	L500941	214	02
L500767	187	06	L500831	127	16	L500861	130	04	L500942	214	03
L500770	248	02	L500832	127	17	L500862	130	05	L500966	37	21
L500770	249	08	L500833	127	18	L500863	130	06	L500967	33	20
L500772	51	26	L500834	127	19	L500864	130	07	L500968	211	01
L500784	235	25	L500835	127	22	L500865	130	08	L500969	15	25
L500784	239	27	L500836	127	23	L500866	130	09	L50101	57	21
L500784	241	26	L500837	127	24	L500867	130	10	L50105	17	22
L500786	132	01	L500838	128	01	L500868	130	12	L50105	183	10
L500787	125	01	L500839	128	02	L500869	130	13	L50110	186	11
L500789	125	05	L500839	129	02	L500870	131	01	L50137	31	19
L500790	125	06	L50084	123	12	L500871	131	02	L50137	45	08
L500791	125	07	L50084	135	12	L500872	131	03	L50137	49	06
L500792	125	09	L50084	229	19	L500873	131	04	L50137	53	08
L500793	125	10	L500840	128	03	L500874	131	05	L50137	55	17
L500794	125	12	L500840	129	03	L500875	131	06	L50139	31	18
L500795	125	13	L500841	128	04	L500876	131	07	L50139	59	20
L500796	125	14	L500841	129	04	L500877	131	08	L50141	67	01
L500797	125	15	L500842	128	05	L500878	131	09	L50141	81	08
L500798	125	16	L500842	129	05	L500879	133	01	L50141	83	06
L500799	125	17	L500843	128	06	L500880	133	02	L50143	179	06
L500801	125	19	L500843	129	06	L500881	133	03	L50143	183	20
L500802	125	20	L500844	128	07	L500882	133	04	L50143	229	08
L500803	125	21	L500844	129	07	L500883	133	05	L50143	235	24
L500804	125	22	L500845	128	07	L500884	133	06	L50145	13	47
L500805	125	23	L500845	129	07	L500885	133	07	L50145	245	11
L500806	125	26	L500846	128	07	L500886	133	08	L50145	67	23

Part No.	Page No.	Ref. No.	Part No.	Page No.	Ref. No.	Part No.	Page No.	Ref. No.	Part No.	Page No.	Ref. No.
L50145	69	16	L50301	13	21	L50823	69	04	L520004	61	06
L50145	69	22	L50301	15	13	L50835	205	14	L520004	89	04
L50147	179	02	L50305	79	15	L50836	123	05	L520005	13	48
L50147	237	28	L50328	31	16	L50836	135	05	L520005	175	12
L50147	51	18	L50364	59	19	L50836	51	13	L520005	181	07
L50151	13	45	L50367	13	46	L50856	89	10	L520005	193	07
L50151	67	12	L50367	245	16	L50873	97	09	L520005	229	15
L50152	197	25	L50367	83	18	L50876	205	07	L520005	231	17
L50154	185	08	L50367	91	01	L50877	231	23	L520005	235	15
L50170	233	13	L50371	13	25	L50877	235	05	L520005	51	11
L50174	73	15	L50371	191	28	L50877	237	04	L520005	67	24
L50200	135	09	L50403	229	27	L50877	239	05	L520005	71	13
L50201	125	42	L50403	245	10	L50878	241	07	L520005	83	19
L50201	135	14	L50422	79	18	L50884	235	23	L520007	185	09
L50202	81	24	L50452	193	13	L50894	189	08	L520007	186	05
L50202	83	12	L50452	57	20	L50895	183	19	L520007	193	02
L50208	13	28	L50461	69	08	L50896	13	30	L520019	169	03
L50208	15	28	L50463	177	01	L50952	91	16	L520019	177	02
L50209	79	27	L50486	31	17	L50956	237	11	L520019	181	05
L50212	39	05	L50486	69	06	L50986	169	04	L520019	185	15
L50217	61	17	L50486	71	37	L50986	181	04	L520019	189	09
L50228	81	11	L50519	237	09	L510003	185	14	L520019	67	11
L50228	83	07	L50519	79	11	L510008	179	07	L52005	69	21
L50230	229	07	L50545	199	05	L510008	83	22	L52026	51	15
L50230	67	15	L50561	229	14	L510023	186	04	L52026	57	07
L50230	81	19	L50562	79	13	L510023	193	03	L52045	237	24
L50230	83	14	L50565	63	10	L510046	59	09	L530003	73	06
L50235	235	09	L50599	15	23	L510046	59	12	L530004	177	05
L50235	239	09	L50603	67	20	L51099	85	20	L580009	63	08
L50236	49	05	L50605	183	13	L51099	87	03	L580009	69	26
L50236	55	15	L50607	61	02	L51587	227	14	L580009	71	20
L50251	179	03	L50607	67	03	L51587	75	20	L580009	79	05
L50251	237	27	L50608	177	11	L51590	219	08	L60492	87	09
L50251	69	15	L50608	237	06	L51590	243	13	L60492	89	13
L50251	75	23	L50628	73	14	L51590	245	09	L60587	67	00
L50251	77	17	L50655	13	31	L51591	183	08	L60588	187	08
L50251	89	08	L50655	13	37	L51591	211	02	L60653	221	09
L50253	123	03	L50655	15	05	L51591	57	08	L60653	239	19
L50253	135	03	L50684	123	11	L51621	243	04	L60961	185	18
L50261	181	12	L50684	135	10	L51621	245	02	L60986	197	24
L50261	51	10	L50684	229	20	L51762	223	10	L60986	203	03
L50261	77	13	L50685	186	08	L51762	241	17	L60986	203	16
L50273	193	04	L50705	79	21	L51972	197	13	L60986	205	03
L50275	229	21	L50706	79	28	L520003	191	32	L60986	231	11
L50275	231	19	L50727	91	17	L520003	193	12	L60986	235	27
L50283	13	44	L50741	239	16	L520003	71	35	L61001	185	18
L50284	185	04	L50744	223	12	L520004	179	05	L61017	185	18
L50288	75	17	L50744	241	15	L520004	191	08	L61092	245	20
L50292	67	13	L50801	235	16	L520004	235	04	L61699	179	04
L50300	13	22	L50820	91	02	L520004	237	05	L61708	173	01
L50300	15	12	L50823	61	11	L520004	239	04	L61708	175	22

Part No.	Page No.	Ref. No.	Part No.	Page No.	Ref. No.	Part No.	Page No.	Ref. No.	Part No.	Page No.	Ref. No.
L61709	173	07	L64673	69	31	L66993	15	29	L67786	186	10
L61709	175	19	L64764	89	07	L67099	181	13	L67802	187	02
L61709	237	29	L64787	87	02	L67100	181	11	L67802	191	03
L62583	10	06	L64795	79	08	L67105	181	09	L67819	193	08
L62715	173	03	L64795	97	03	L67106	181	08	L67832	15	32
L62715	175	20	L64853	245	17	L67107	181	15	L68003	233	11
L62731	173	02	L64853	97	15	L67168	193	01	L68039	231	13
L62733	173	06	L64856	197	02	L67206	185	10	L68039	233	18
L62733	175	24	L64890	61	16	L67248	191	40	L68110	245	21
L62761	271	02	L65211	75	24	L67248	268	00	L68128	245	23
L62842	197	06	L65211	77	18	L67258	191	33	L68133	71	31
L62842	207	03	L65273	186	20	L67258	193	25	L68134	71	31
L62842	215	04	L65273	187	03	L67259	193	05	L68135	71	31
L62954	227	10	L65273	189	12	L67260	193	11	L68295	9	10
L62954	75	08	L65273	193	26	L67341	235	07	L68349	179	08
L630003	73	02	L65440	9	02	L67341	239	07	L68496	65	14
L630004	73	01	L65570	79	00	L67341	241	08	L68517	85	06
L63015	229	04	L65638	175	04	L67355	193	09	L68569	51	23
L63015	257	00	L65640	175	07	L67379	93	25	L68881	229	26
L63016	229	17	L65753	207	02	L67379	95	21	L68882	229	24
L63016	257	01	L65922	9	13	L67446	235	06	L69011	135	15
L63017	261	10	L65925	9	01	L67446	237	03	L69012	57	18
L63018	233	06	L65926	10	10	L67446	239	06	L69079	59	06
L63018	261	03	L65927	10	02	L67448	181	10	L69081	59	07
L63275	229	22	L65927	11	02	L67489	191	37	L69085	59	03
L63546	75	11	L65928	10	01	L67491	191	29	L69095	59	04
L63548	17	20	L65928	11	01	L67494	191	16	L69099	59	15
L63593	191	35	L65928	9	03	L67495	191	39	L69100	59	05
L63593	193	10	L65930	9	04	L67510	191	09	L69101	59	17
L63593	268	04	L65932	9	14	L67510	193	20	L69114	123	01
L63715	229	13	L65933	11	12	L67576	191	15	L69114	123	01
L63715	231	14	L66011	15	07	L67577	191	14	L69114	123	01
L63715	233	19	L66406	185	18	L67608	191	11	L69114	135	01
L63716	229	12	L66567	11	03	L67609	191	10	L69115	13	19
L63719	235	21	L66576	251	18	L67610	191	13	L69115	15	14
L63719	239	30	L66576	252	01	L67611	191	12	L69123	91	13
L63719	241	29	L66584	11	10	L67704	186	09	L69127	235	18
L63887	43	19	L66594	85	19	L67719	10	07	L69127	263	08
L64078	65	13	L66594	87	13	L67720	10	08	L69128	211	01
L64132	175	18	L66615	185	03	L67721	10	09	L69128	57	17
L64367	229	02	L66615	185	07	L67727	186	14	L69129	233	01
L64367	257	11	L66615	185	13	L67728	186	13	L69129	261	00
L64524	211	10	L66615	185	21	L67729	186	16	L69137	13	37
L64524	57	16	L66615	186	03	L67730	186	17	L69137	15	05
L64561	185	17	L66615	189	15	L67740	191	26	L69138	231	20
L64646	79	07	L66615	191	18	L67741	193	16	L69138	259	11
L64660	186	15	L66878	186	18	L67741	193	17	L69142	231	07
L64660	197	27	L66907	39	05	L67742	193	15	L69142	237	26
L64660	199	08	L66986	13	27	L67745	193	24	L69142	259	03
L64663	79	04	L66986	15	27	L67746	193	23	L69142	265	02
L64664	79	02	L66993	13	29	L67749	191	23	L69155	59	18

Part No.	Page No.	Ref. No.	Part No.	Page No.	Ref. No.	Part No.	Page No.	Ref. No.	Part No.	Page No.	Ref. No.
L69162	59	08	L69480	237	10	L69687	79	16	L69903	223	08
L69166	77	23	L69488	69	04	L69712	89	17	L69903	239	20
L69167	191	20	L69488	71	42	L69714	85	01	L69903	241	19
L69226	59	14	L69489	41	03	L69714	87	10	L69904	217	01
L69232	59	16	L69489	43	27	L69724	171	08	L69904	217	09
L69238	59	11	L69490	41	04	L69724	229	06	L69904	221	06
L69240	79	09	L69490	43	28	L69724	235	30	L69904	239	21
L69240	91	11	L69492	177	04	L69725	229	01	L69906	225	05
L69241	79	10	L69499	197	04	L69729	13	20	L69906	225	06
L69241	91	10	L69524	179	08	L69729	15	11	L69906	225	09
L69264	79	17	L69538	89	12	L69731	219	15	L69906	225	10
L69265	91	14	L69540	89	11	L69731	239	13	L69907	221	03
L69275	135	11	L69542	59	02	L69732	219	14	L69907	223	02
L69275	229	16	L69543	197	22	L69732	237	19	L69907	227	05
L69297	15	08	L69546	43	21	L69733	219	13	L69908	233	25
L69303	85	13	L69548	43	24	L69733	235	13	L69910	233	04
L69303	87	19	L69549	43	23	L69734	123	08	L69911	233	16
L69304	85	11	L69551	43	22	L69734	135	08	L69913	231	05
L69304	87	18	L69557	231	12	L69734	144	11	L69917	197	01
L69306	85	09	L69557	233	22	L69734	156	11	L69919	199	03
L69306	87	16	L69558	231	21	L69734	166	11	L69919	205	16
L69309	227	13	L69558	233	17	L69735	97	08	L69920	197	05
L69309	75	19	L69567	89	15	L69736	97	08	L69920	221	07
L69311	83	24	L69570	85	03	L69739	77	10	L69920	223	03
L69324	91	12	L69570	87	14	L69740	77	07	L69920	223	09
L69351	81	10	L69571	197	14	L69741	77	09	L69920	227	04
L69351	83	09	L69572	212	01	L69747	201	01	L69920	239	23
L69355	59	22	L69572	61	12	L69747	248	01	L69920	241	21
L69358	75	27	L69576	139	23	L69755	65	09	L69921	213	04
L69360	77	20	L69576	149	24	L69756	65	08	L69921	229	10
L69382	135	13	L69576	161	25	L69766	67	21	L69921	229	11
L69382	229	18	L69576	209	01	L69782	77	08	L69922	213	09
L69392	59	21	L69577	209	03	L69789	61	15	L69922	227	06
L69392	63	05	L69578	75	10	L69789	63	06	L69924	197	30
L69395	199	01	L69578	77	11	L69807	79	22	L69924	213	05
L69395	217	03	L69590	61	14	L69822	235	02	L69925	211	04
L69395	247	01	L69595	57	03	L69822	239	02	L69925	213	06
L69400	91	03	L69596	57	01	L69824	43	30	L69925	57	10
L69400	93	23	L69599	231	18	L69825	41	07	L69926	199	06
L69402	43	19	L69600	231	08	L69825	43	31	L69926	212	04
L69465	245	14	L69607	63	07	L69832	235	01	L69926	61	08
L69465	69	10	L69615	63	04	L69832	239	01	L69927	212	05
L69465	71	03	L69619	63	02	L69832	241	03	L69927	227	02
L69466	41	01	L69624	73	20	L69833	235	08	L69927	61	07
L69466	43	25	L69625	73	13	L69833	239	08	L69928	199	14
L69468	69	03	L69627	73	16	L69833	241	02	L69928	225	07
L69468	71	44	L69629	73	18	L69866	177	07	L69928	227	03
L69473	69	04	L69634	63	12	L69903	191	41	L69928	227	07
L69473	71	43	L69636	75	15	L69903	197	30	L69929	203	08
L69474	177	03	L69665	83	17	L69903	221	05	L69929	205	08
L69480	177	15	L69686	79	23	L69903	223	05	L69929	212	06

Part No.	Page No.	Ref. No.	Part No.	Page No.	Ref. No.	Part No.	Page No.	Ref. No.	Part No.	Page No.	Ref. No.
L69929	61	13	L70014	221	02	L70207	75	12	L70378	227	09
L69930	199	12	L70014	223	01	L70212	65	05	L70378	75	07
L69930	225	08	L70014	241	22	L70216	67	19	L70379	227	15
L69931	197	29	L70015	65	07	L70225	67	04	L70379	75	21
L69931	199	07	L70017	13	26	L70226	67	07	L70385	229	05
L69931	199	15	L70017	41	11	L70227	67	08	L70388	13	33
L69932	197	28	L70033	197	20	L70229	197	10	L70388	15	01
L69932	213	10	L70033	199	11	L70229	246	03	L70388	75	02
L69933	211	07	L70039	13	49	L70230	213	01	L70388	77	01
L69933	227	01	L70039	15	09	L70230	249	00	L70389	77	03
L69933	57	13	L70040	175	09	L70232	97	14	L70390	75	05
L69934	197	32	L70041	67	18	L70233	79	24	L70392	245	15
L69934	211	08	L70045	69	12	L70234	75	13	L70395	245	22
L69934	57	14	L70045	71	05	L70238	11	13	L70404	13	36
L69935	201	07	L70055	17	12	L70239	69	01	L70404	15	04
L69935	209	07	L70064	71	24	L70239	71	01	L70415	203	01
L69935	211	05	L70065	71	11	L70241	13	49	L70415	205	01
L69935	57	11	L70067	71	12	L70241	15	10	L70417	17	26
L69936	203	13	L70075	13	37	L70244	13	37	L70420	177	17
L69936	205	13	L70075	15	05	L70244	15	05	L70420	237	12
L69936	211	06	L70083	243	17	L70245	13	37	L70428	203	02
L69936	57	12	L70083	245	18	L70245	15	05	L70428	205	02
L69937	201	03	L70083	97	13	L70246	13	37	L70429	175	13
L69937	203	09	L70087	245	19	L70246	15	05	L70435	61	20
L69937	205	09	L70087	97	04	L70247	13	37	L70435	63	09
L69937	209	06	L70116	13	5	L70247	15	05	L70448	13	35
L69938	243	19	L70116	15	15	L70248	61	18	L70448	15	03
L69938	245	07	L70116	39	18	L70250	61	19	L70449	65	03
L69939	201	06	L70116	43	23	L70257	67	05	L70450	65	02
L69939	203	15	L70120	57	04	L70266	75	14	L70453	65	01
L69939	205	15	L70121	13	37	L70267	197	17	L70455	77	21
L69939	209	05	L70121	15	05	L70267	199	09	L70456	77	22
L69940	203	10	L70122	15	05	L70270	237	02	L70460	231	04
L69940	205	10	L70123	13	37	L70305	11	09	L70462	175	16
L69940	207	07	L70123	15	05	L70306	9	07	L70463	13	3
L69940	207	08	L70133	97	07	L70307	9	06	L70463	15	10
L69940	209	04	L70146	73	08	L70308	235	28	L70464	10	11
L69942	203	05	L70162	71	18	L70321	71	10	L70465	197	21
L69942	205	05	L70173	77	05	L70322	71	23	L70465	75	29
L69952	171	06	L70176	233	08	L70324	89	09	L70467	85	02
L69963	171	14	L70177	233	09	L70325	89	01	L70467	87	12
L69964	171	11	L70178	73	04	L70326	67	02	L70468	85	04
L69965	171	05	L70179	73	05	L70333	89	03	L70468	87	15
L69968	171	09	L70180	73	03	L70335	89	05	L70471	15	16
L69973	171	10	L70183	61	04	L70338	75	25	L70486	19	04
L69982	237	16	L70184	61	01	L70344	17	23	L70486	21	32
L69994	177	13	L70188	197	19	L70345	17	25	L70486	21	32
L69994	237	08	L70197	71	16	L70359	13	34	L70486	29	02
L70008	199	02	L70198	69	02	L70359	15	02	L70486	31	02
L70009	67	26	L70198	71	02	L70377	227	16	L70486	41	15
L70014	219	10	L70200	67	14	L70377	75	01	L70493	197	08

Part No.	Page No.	Ref. No.	Part No.	Page No.	Ref. No.	Part No.	Page No.	Ref. No.	Part No.	Page No.	Ref. No.
L70495	257	12	L70725	81	06	L71258	73	10	L71527	237	13
L70496	83	02	L70725	81	06	L71259	73	12	L71527	265	10
L70497	227	12	L70725	83	08	L71269	135	15	L71530	9	11
L70497	245	08	L70726	87	20	L71271	197	23	L71531	41	25
L70501	41	02	L70778	51	16	L71305	67	10	L71531	43	11
L70501	43	26	L70786	51	25	L71346	225	01	L71541	181	02
L70502	259	10	L70798	51	03	L71346	271	00	L71541	183	02
L70503	9	16	L70799	51	04	L71351	15	06	L71546	171	04
L70514	203	12	L70806	231	03	L71360	199	13	L71550	171	13
L70514	205	12	L70817	51	24	L71360	221	10	L71551	183	09
L70521	79	19	L70865	79	06	L71360	223	11	L71552	183	12
L70565	63	03	L71027	235	10	L71360	239	22	L71556	69	07
L70568	63	01	L71028	235	11	L71412	97	16	L71556	71	27
L70575	77	16	L71071	65	10	L71413	75	09	L71560	9	08
L70586	71	14	L71074	41	31	L71423	237	01	L71561	9	15
L70589	197	35	L71074	43	18	L71423	265	00	L71568	135	15
L70592	65	15	L71075	41	18	L71425	183	11	L71583	83	01
L70619	69	00	L71075	43	03	L71425	266	00	L71586	10	05
L70619	71	30	L71076	41	28	L71426	231	01	L71587	11	05
L70625	81	00	L71076	43	14	L71426	259	00	L71589	177	10
L70625	83	23	L71077	41	21	L71427	231	09	L71590	10	04
L70629	81	18	L71077	43	06	L71427	259	00	L71590	11	04
L70629	83	21	L71078	41	29	L71428	65	12	L71591	181	01
L70631	175	17	L71078	43	15	L71429	235	26	L71591	183	01
L70632	235	03	L71079	41	30	L71429	263	00	L71592	237	21
L70632	239	03	L71079	43	17	L71437	169	15	L71595	67	18
L70632	241	09	L71080	41	30	L71437	171	17	L71597	235	25
L70633	237	14	L71080	43	16	L71451	71	09	L71598	239	27
L70634	65	04	L71081	41	27	L71452	219	01	L71600	183	15
L70635	175	23	L71081	43	12	L71452	251	00	L71601	183	16
L70639	175	11	L71082	41	20	L71453	241	20	L71602	183	00
L70643	123	01	L71082	43	05	L71453	252	00	L71603	245	04
L70649	81	22	L71083	41	23	L71454	219	03	L71611	71	17
L70649	83	10	L71083	43	08	L71458	13	51	L71612	245	01
L70652	87	06	L71084	41	22	L71458	15	26	L71614	83	05
L70653	87	04	L71084	43	07	L71471	179	01	L71617	9	12
L70656	87	07	L71085	41	19	L71472	175	01	L71620	245	12
L70657	87	08	L71085	43	04	L71500	235	17	L71639	123	01
L70677	51	07	L71086	41	26	L71501	169	02	L71639	135	01
L70696	51	19	L71086	43	13	L71501	171	02	L71642	241	26
L70697	83	13	L71088	65	11	L71502	169	05	L71645	15	18
L70701	67	17	L71104	235	22a	L71502	171	15	L71647	183	23
L70703	239	10	L71104	239	28	L71502	181	03	L71651	191	43
L70704	239	11	L71147	65	06	L71502	183	03	L71651	193	22
L70705	237	15	L71168	71	08	L71503	237	25	L71654	183	17
L70706	237	22	L71176	79	04	L71512	241	12	L71656	241	27
L70709	81	00	L71193	69	11	L71513	241	11	L71660	186	06
L70709	83	15	L71193	71	41	L71520	49	00	L71668	193	18
L70718	83	16	L71222	233	12	L71526	221	11	L71669	241	30
L70718	87	01	L71235	223	06	L71526	239	15	L71670	241	04
L70722	51	09	L71235	241	14	L71526	255	05	L71671	241	31
L70723	51	20	L71235	255	04	L71527	177	18	L71672	241	05

Part No.	Page No.	Ref. No.	Part No.	Page No.	Ref. No.	Part No.	Page No.	Ref. No.	Part No.	Page No.	Ref. No.
L71674	49	11	L94849	111	22	L97955	267	06	L99122	259	08
L71677	193	21	L94849	113	08	L98021	251	03	L99157	13	15
L71681	43	01	L94849	113	21	L98021	252	03	L99157	17	03
L71686	183	26	L94849	115	08	L98029	251	06	L99157	39	08
L71686	191	02	L94856	105	03	L98266	107	30	L99157	67	19
L71686	239	25	L94898	107	34	L98266	107	36	L99157	69	25
L71686	241	23	L94898	109	32	L98266	109	29	L99157	71	12
L71687	183	25	L94898	111	34	L98266	109	34	L99182	97	10
L71687	191	01	L94898	113	32	L98266	111	30	L99214	263	07
L71687	239	24	L96060	107	14	L98266	111	36	L99269	99	25
L71687	241	24	L96060	107	29	L98266	113	29	L99285	101	16
L71690	11	11	L96060	109	15	L98266	113	34	L99285	101	18
L71691	41	24	L96060	109	28	L98266	116	04	L99285	99	36
L71691	43	20	L96060	111	14	L98266	116	08	L99397	261	04
L71694	69	04	L96060	111	29	L98312	99	32	L99405	257	04
L71694	71	43	L96060	113	15	L98425	101	09	L99405	265	08
L71695	71	25	L96060	113	28	L98457	257	07	L99420	3	00
L71695	83	20	L96060	115	15	L98503	257	03	L99425	57	18
L71704	185	04	L96065	107	03	L98506	257	13	L99434	89	16
L71708	191	07	L96065	107	18	L98507	257	06	L99440	3	00
L71709	41	17	L96065	109	03	L98509	257	09	L99440	99	40
L71709	43	02	L96065	109	17	L98550	257	05	L99453	3	00
L71715	51	01	L96065	111	03	L98659	267	04	L99453	85	15
L71716	51	02	L96065	111	18	L98660	267	01	L99453	87	22
L71717	51	05	L96065	113	03	L98668	267	03	L99454	65	16
L71718	51	06	L96065	113	17	L98894	251	05	L99456	137	35
L71720	49	12	L96065	115	03	L98894	251	07	L99456	147	31
L71721	51	22	L96066	107	04	L98894	252	04	L99457	137	40
L71730	123	01	L96066	107	19	L98894	252	05	L99457	147	41
L71730	135	01	L96066	109	04	L98919	268	05	L99459	227	13
L71733	217	08	L96066	109	18	L98921	268	01	L99459	3	00
L71733	253	01	L96066	111	04	L98922	268	06	L99459	75	19
L71749	217	10	L96066	111	19	L98923	268	08	L99462	137	02
L71753	235	20	L96066	113	04	L98978	3	00	L99462	147	03
L71753	239	29	L96066	113	18	L99029	101	15	L99462	159	02
L71753	241	28	L96066	115	04	L99029	101	17	L99464	137	04
L71758	123	01	L96838	259	10	L99029	99	19	L99464	147	34
L75956	77	24	L97358	251	10	L99029	99	22	L99464	159	04
L76020	79	14	L97359	251	06	L99029	99	24	L99465	137	14
L79117	77	06	L97359	251	08	L99029	99	28	L99465	147	12
L81233	199	16	L97359	251	09	L99029	99	33	L99465	159	05
L82358	186	19	L97359	251	03	L99029	99	35	L99466	125	08
L93922	193	09	L97359	251	10	L99029	99	37	L99466	137	06
L94770	101	10	L97359	252	03	L99030	118	04	L99466	147	08
L94818	101	11	L97362	251	09	L99045	99	34	L99466	159	06
L94824	119	06	L97516	118	03	L99084	251	07	L99467	137	07
L94849	107	08	L97616	132	13	L99084	252	05	L99467	147	40
L94849	107	23	L97616	145	10	L99085	251	04	L99467	159	07
L94849	109	08	L97616	157	10	L99085	252	02	L99468	137	08
L94849	109	22	L97616	167	10	L99086	251	05	L99468	147	39
L94849	111	08	L97889	257	12	L99086	252	04	L99468	159	08

Part No.	Page No.	Ref. No.	Part No.	Page No.	Ref. No.	Part No.	Page No.	Ref. No.	Part No.	Page No.	Ref. No.
L99469	125	35	L99489	137	29	L99520	139	20	L99538	150	07
L99469	137	09	L99489	147	15	L99520	149	09	L99538	162	07
L99469	147	10	L99489	159	28	L99520	161	22	L99539	140	08
L99469	159	09	L99491	137	31	L99521	149	10	L99539	150	08
L99470	137	15	L99491	147	09	L99522	140	01	L99539	162	08
L99470	159	10	L99491	159	30	L99522	150	01	L99540	140	09
L99471	125	32	L99494	137	34	L99523	140	02	L99540	150	09
L99471	137	05	L99494	147	32	L99523	150	02	L99540	162	09
L99471	147	36	L99497	139	01	L99523	162	02	L99541	140	10
L99471	159	11	L99497	161	01	L99524	140	03	L99541	162	10
L99472	137	12	L99501	139	05	L99524	150	03	L99542	140	11
L99472	147	38	L99501	149	03	L99524	162	03	L99542	150	11
L99472	159	12	L99501	161	05	L99525	140	04	L99542	162	11
L99473	137	13	L99502	139	06	L99525	150	04	L99543	163	01
L99473	147	37	L99502	149	02	L99525	162	04	L99544	141	02
L99473	159	13	L99502	161	06	L99526	140	05	L99544	151	04
L99474	137	11	L99504	139	08	L99526	150	05	L99544	163	02
L99474	147	13	L99504	161	08	L99526	162	05	L99545	141	03
L99474	159	14	L99506	127	21	L99527	140	12	L99545	151	03
L99475	137	10	L99506	139	09	L99527	150	12	L99545	163	03
L99475	147	14	L99506	149	14	L99527	162	12	L99546	151	02
L99475	159	15	L99506	161	09	L99528	140	06	L99546	163	04
L99478	125	28	L99507	139	10	L99528	150	06	L99547	130	11
L99478	137	18	L99507	149	07	L99528	162	06	L99547	141	08
L99478	147	23	L99507	161	10	L99529	140	06	L99547	151	07
L99478	159	18	L99509	161	12	L99529	150	06	L99547	163	05
L99479	137	19	L99511	125	25	L99529	162	06	L99548	141	07
L99479	147	24	L99511	139	12	L99530	140	06	L99548	151	06
L99479	159	19	L99511	149	12	L99530	150	06	L99548	163	06
L99480	137	20	L99511	161	14	L99530	162	06	L99549	141	09
L99480	147	16	L99512	139	13	L99531	140	06	L99549	151	09
L99480	159	20	L99512	161	15	L99531	150	06	L99549	163	07
L99481	137	21	L99513	127	06	L99531	162	06	L99550	141	10
L99481	147	17	L99513	139	14	L99532	140	06	L99550	151	10
L99481	159	21	L99513	149	19	L99532	150	06	L99550	163	08
L99482	137	22	L99513	161	16	L99532	162	06	L99551	141	11
L99482	147	18	L99514	125	11	L99533	140	06	L99551	151	05
L99482	159	22	L99514	139	15	L99533	150	06	L99551	163	09
L99483	137	23	L99514	149	20	L99533	162	06	L99552	141	12
L99483	147	19	L99514	161	17	L99534	140	06	L99552	163	10
L99483	159	23	L99515	139	16	L99534	150	06	L99553	142	01
L99484	137	24	L99515	149	18	L99534	162	06	L99553	154	01
L99484	159	24	L99515	161	18	L99535	140	06	L99553	165	01
L99485	137	25	L99516	139	17	L99535	150	06	L99554	142	02
L99485	147	21	L99516	161	19	L99535	162	06	L99554	154	02
L99485	159	25	L99517	139	18	L99536	140	06	L99554	165	02
L99486	137	26	L99517	149	21	L99536	150	06	L99555	142	03
L99486	147	22	L99517	161	20	L99536	162	06	L99555	154	03
L99486	159	26	L99518	139	07	L99537	140	06	L99555	165	03
L99488	125	03	L99519	139	19	L99537	150	06	L99556	142	04
L99488	137	28	L99519	149	08	L99537	162	06	L99556	154	04
L99488	147	04	L99519	161	21	L99538	140	07	L99556	165	04



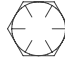
Part No.	Page No.	Ref. No.	Part No.	Page No.	Ref. No.	Part No.	Page No.	Ref. No.	Part No.	Page No.	Ref. No.
L99557	142	05	L99592	144	08	L99668	99	08	L99708	113	16
L99557	154	05	L99592	156	08	L99669	99	09	L99708	115	02
L99557	165	05	L99592	166	08	L99670	101	07	L99709	107	05
L99558	142	06	L99593	139	21	L99670	99	10	L99709	107	20
L99558	154	06	L99593	144	09	L99671	101	08	L99709	109	05
L99558	165	06	L99593	156	09	L99671	99	11	L99709	109	19
L99560	154	08	L99593	161	23	L99672	101	03	L99709	111	05
L99561	127	25	L99593	166	09	L99672	99	14	L99709	113	05
L99561	142	09	L99596	144	10	L99673	101	04	L99709	113	19
L99561	154	09	L99596	166	10	L99673	99	15	L99709	115	05
L99561	165	09	L99597	145	01	L99674	99	16	L99710	107	06
L99564	143	03	L99597	157	01	L99675	99	17	L99710	107	21
L99564	155	03	L99597	167	01	L99676	99	18	L99710	109	06
L99565	143	04	L99598	145	02	L99677	99	20	L99710	109	20
L99565	155	04	L99598	157	02	L99678	99	21	L99710	111	06
L99566	143	05	L99598	167	02	L99679	99	23	L99710	113	06
L99566	155	05	L99599	145	03	L99679	99	29	L99710	115	06
L99567	143	06	L99599	157	03	L99680	99	31	L99711	107	07
L99567	155	06	L99599	167	03	L99681	99	26	L99711	107	22
L99568	143	07	L99600	145	04	L99682	99	27	L99711	109	07
L99568	155	07	L99600	157	04	L99683	99	30	L99711	109	21
L99574	143	08	L99600	167	04	L99684	99	38	L99711	111	07
L99574	155	08	L99601	145	05	L99685	101	13	L99711	113	07
L99575	143	09	L99601	157	05	L99685	99	39	L99711	115	07
L99575	155	09	L99601	167	05	L99686	101	01	L99712	107	09
L99576	143	10	L99602	145	06	L99687	101	05	L99712	107	12
L99576	155	10	L99602	157	06	L99688	101	06	L99712	107	24
L99577	143	11	L99602	167	06	L99689	101	12	L99712	107	27
L99577	155	11	L99603	145	07	L99690	101	14	L99712	109	09
L99579	143	13	L99603	157	07	L99691	101	19	L99712	109	12
L99579	155	13	L99603	167	07	L99693	102	02	L99712	109	23
L99581	143	15	L99604	145	08	L99694	105	01	L99712	109	26
L99581	155	15	L99604	157	08	L99695	105	02	L99712	111	09
L99584	132	05	L99604	167	08	L99696	105	04	L99712	111	12
L99584	144	01	L99610	127	26	L99696	116	05	L99712	111	23
L99584	156	01	L99610	161	11	L99697	105	05	L99712	111	26
L99584	166	01	L99615	125	02	L99698	105	06	L99712	113	09
L99585	144	02	L99615	132	12	L99699	105	07	L99712	113	12
L99585	166	02	L99615	137	27	L99700	105	08	L99712	113	22
L99586	132	06	L99615	145	09	L99702	103	01	L99712	113	25
L99586	144	03	L99615	147	02	L99703	103	02	L99712	115	09
L99586	156	03	L99615	157	09	L99704	103	03	L99712	115	12
L99586	166	03	L99615	159	27	L99705	103	04	L99713	107	10
L99587	144	04	L99615	167	09	L99706	103	05	L99713	107	25
L99587	156	04	L99643	162	01	L99707	107	01	L99713	109	10
L99587	166	04	L99661	99	01	L99708	107	02	L99713	109	24
L99588	144	05	L99662	99	02	L99708	107	17	L99713	111	10
L99588	156	05	L99663	99	03	L99708	109	02	L99713	111	24
L99588	166	05	L99664	99	04	L99708	109	16	L99713	113	10
L99590	144	07	L99665	99	05	L99708	111	02	L99713	113	23
L99590	156	07	L99666	99	06	L99708	111	17	L99713	115	10
L99590	166	07	L99667	99	07	L99708	113	02	L99714	107	11




Part No.	Page No.	Ref. No.	Part No.	Page No.	Ref. No.	Part No.	Page No.	Ref. No.	Part No.	Page No.	Ref. No.
L99714	107	26	L99729	109	44	L99758	117	06	L99814	93	16
L99714	109	11	L99730	107	47	L99759	117	08	L99815	95	18
L99714	109	25	L99730	109	45	L99760	117	09	L99816	95	06
L99714	111	11	L99730	111	45	L99761	117	10	L99817	95	01
L99714	111	25	L99730	113	43	L99762	117	11	L99818	93	06
L99714	113	11	L99730	115	22	L99763	117	07	L99819	93	21
L99714	113	24	L99730	116	07	L99764	119	01	L99820	95	09
L99714	115	11	L99730	116	11	L99764	121	00	L99821	95	10
L99715	107	13	L99731	111	01	L99765	119	02	L99822	95	17
L99715	111	13	L99732	111	20	L99766	119	03	L99823	95	16
L99716	107	15	L99733	111	27	L99767	119	04	L99824	93	10
L99716	111	15	L99733	113	26	L99768	119	05	L99825	91	04
L99717	107	16	L99733	115	13	L99769	121	28	L99825	95	11
L99717	111	16	L99734	111	37	L99769	121	39	L99825	95	20
L99718	107	28	L99734	113	35	L99769	121	48	L99826	95	07
L99718	109	27	L99735	111	39	L99770	121	29	L99827	95	08
L99718	111	28	L99735	113	37	L99771	121	30	L99828	93	01
L99718	113	27	L99736	111	40	L99772	121	32	L99829	93	01
L99718	115	14	L99736	113	38	L99773	121	33	L99831	251	02
L99719	107	31	L99736	115	17	L99774	121	35	L99834	121	40
L99719	111	31	L99737	111	41	L99775	121	36	L99843	17	14
L99720	107	32	L99737	113	39	L99776	121	37	L99843	17	17
L99720	111	32	L99737	115	18	L99778	121	42	L99843	47	36
L99721	107	33	L99738	111	42	L99779	121	43	L99843	55	30
L99721	109	31	L99738	113	40	L99780	121	45	L99844	43	29
L99721	111	33	L99738	115	19	L99781	121	46	L99844	47	37
L99721	113	31	L99739	111	43	L99782	121	47	L99844	55	31
L99722	107	35	L99739	113	41	L99784	118	01	L99845	43	29
L99722	109	33	L99740	111	44	L99785	118	05	L99845	47	37
L99722	111	35	L99740	115	21	L99786	101	02	L99845	55	31
L99722	113	33	L99740	116	06	L99787	111	21	L99847	45	00
L99723	107	37	L99740	116	10	L99787	113	20	L99847	47	38
L99723	109	35	L99741	116	01	L99796	93	22	L99847	53	29
L99724	107	38	L99742	116	02	L99797	93	03	L99847	55	32
L99724	109	36	L99743	116	03	L99798	93	11	L99848	21	11
L99724	111	38	L99744	116	09	L99799	91	05	L99848	23	17
L99724	113	36	L99745	115	01	L99799	93	24	L99857	257	08
L99725	107	39	L99746	115	16	L99800	91	06	L99857	259	09
L99725	107	45	L99747	115	20	L99800	93	02	L99857	261	06
L99725	109	37	L99748	115	23	L99801	95	05	L99857	265	04
L99725	109	43	L99749	115	24	L99802	95	13	L99860	259	07
L99726	107	40	L99750	115	25	L99803	95	19	L99861	259	02
L99726	107	44	L99751	115	26	L99804	95	14	L99863	259	04
L99726	109	38	L99752	115	27	L99805	95	02	L99879	263	04
L99726	109	42	L99752	117	12	L99806	95	03	L99891	235	29
L99727	107	41	L99753	115	28	L99807	95	04	L99891	263	01
L99727	107	43	L99753	117	13	L99808	95	12	L99892	251	15
L99727	109	39	L99754	117	01	L99809	93	07	L99893	251	16
L99727	109	41	L99755	117	02	L99810	93	08	L99894	251	17
L99728	107	42	L99756	117	03	L99811	93	09	L99895	251	12
L99728	109	40	L99756	117	05	L99812	93	14	L99896	251	11
L99729	107	46	L99757	117	04	L99813	93	15	L99897	251	11

Part No.	Page No.	Ref. No.	Part No.	Page No.	Ref. No.	Part No.	Page No.	Ref. No.	Part No.	Page No.	Ref. No.
L99898	251	08	L99971	83	01						
L99899	251	01	L99972	81	15						
L99903	251	20	L99972	83	01						
L99904	251	13	L99974	13	9						
L99905	251	14	L99974	15	15						
L99905	252	07	L99983	41	35						
L99907	248	01	L99983	43	29						
L99907	249	01	L99983	45	00						
L99908	247	04	L99983	47	37						
L99908	249	03	L99983	53	27						
L99908	253	03	L99983	55	31						
L99908	255	02	L99995	139	22						
L99909	255	03	L99995	149	13						
L99910	253	02	L99995	161	24						
L99911	247	02	L99996	143	17						
L99911	253	02	L99996	155	17						
L99911	255	03	P054800	57	05						
L99912	247	02	P471299	219	16						
L99917	249	05	P471299	233	02						
L99917	259	13	P471299	235	12						
L99917	263	11	P471351	183	21						
L99919	247	03	P471352	189	10						
L99920	249	04	P471549	197	26						
L99921	249	01	P471997	197	12						
L99922	249	07	P906323	8	00						
L99923	249	06									
L99925	246	02									
L99925	247	03									
L99925	249	04									
L99927	197	07									
L99927	246	02									
L99928	246	01									
L99929	246	01									
L99930	211	01									
L99930	57	17									
L99931	85	16									
L99931	87	23									
L99932	85	17									
L99932	87	24									
L99933	85	16									
L99933	87	23									
L99951	123	02									
L99951	135	02									
L99966	45	00									
L99966	47	39									
L99966	53	30									
L99966	55	33									
L99967	3	00									
L99967	85	14									
L99967	87	21									
L99970	75	19									
L99970	75	30									

Torque Specifications

Use these torque values when tightening GEHL hardware (excluding: Locknuts and Self-tapping, Thread-forming and Metal Screws) unless otherwise specified.

Unified National Thread	Grade 2 		Grade 5 		Grade 8 	
	Dry	Lubed	Dry	Lubed	Dry	Lubed
8-32	19*	14*	30*	22*	41*	31*
8-36	20*	15*	31*	23*	43*	32*
10-24	27*	21*	43*	32*	60*	45*
10-32	31*	23*	49*	36*	68*	51*
1/4-20	66*	50*	9	75*	12	9
1/4-28	76*	56*	10	86*	14	10
5/16-18	11	9	17	13	25	18
5/16-24	12	9	19	14	25	20
3/8-16	20	15	30	23	45	35
3/8-24	23	17	35	25	50	35
7/16-14	32	24	50	35	70	55
7/16-20	36	27	55	40	80	60
1/2-13	35	35	75	55	110	80
1/2-20	40	40	90	65	120	90
9/16-12	55	55	110	80	150	110
9/16-18	60	60	120	90	170	130
5/8-11	75	75	150	110	220	170
5/8-18	85	85	180	130	240	180
3/4-10	130	130	260	200	380	280
3/4-16	150	150	300	220	420	320
7/8-9	125	125	430	320	600	460
7/8-14	140	140	470	360	660	500
1-8	190	190	640	480	900	680
1-14	210	210	710	530	1000	740

Metric Course Thread	Grade 8.8 		Grade 10.9 		Grade 12.9 	
	Dry	Lubed	Dry	Lubed	Dry	Lubed
M6-1	8	6	11	7	13.5	10*
24M8-1.25	19	14	27	20	32.5	24*
M10-1.5	37.5	28	53	39	64	47
M12-1.75	65	48	91.5	67.5	111.5	82
M14-2	103.5	76.5	145.5	108	176.5	131
M16-2	158.5	117.5	223.5	165.5	271	200

* All torque values are in lb-ft except those marked with an * which are in lb-in.
For metric torque value (Nm) multiply lb-ft x 1.355 or lb-in value x 0.113.

GEHL®

GEHL Company 143 Water Street, P.O. Box 179, West Bend, WI 53095-0179 U.S.A
www.gehl.com