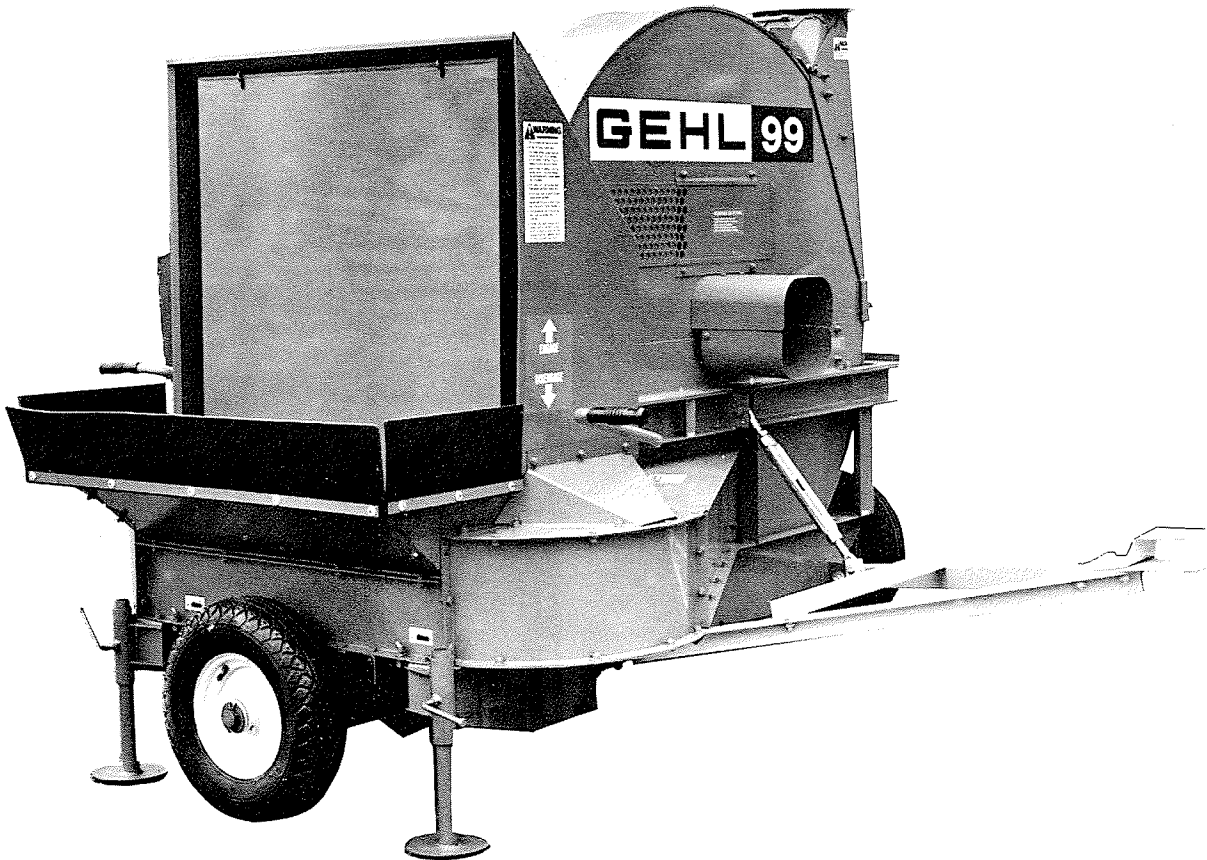


FB99

Forage Blower

Form No.
902494
Replaces
902003



Y
Z
A
P
A
N
Z
Y
G
E
H
L[®]
G

SERVICE PARTS MANUAL

Mr. Dealer:

When ordering service parts, specify the correct part number, full description, quantity required, the unit model number and serial number.

The model number and serial number for this unit are on a decal located on the Main Frame below the right Quick-switch Yoke.

"Right" and "Left" are determined from a position standing behind the unit and facing toward the direction of travel. From this position the Drive Chains are on the "Left" side.

GEHL Company reserves the right to make changes or improvements in the design or construction of any part of the unit without incurring the obligation to install such changes on any unit previously delivered.

NOTE: On original Tire replacement, Company policy prohibits the sale of replacement tires for all original GEHL machinery. Replacement Wheel Sets are available and tire size information is called-out with the Wheel Sets to facilitate replacement tire selection. **ALL REPLACEMENT TIRES MUST BE PURCHASED LOCALLY.**

NOTE: Common hardware, such as nuts, cap screws, etc. are listed in the parts list but **NOT** illustrated. Hardware listed, is for mounting purposes and **NOT** included when the part is ordered for replacement. For the part numbers of common hardware, refer to the attaching hardware table located inside the back cover.

Standard hardware torques appear in a chart at the end of the manual.

Unless otherwise specified, all Cap Screws or Bolts are Grade 5, cadmium or zinc plated; Hexagon Nuts for Grade 5 Cap Screws or Bolts are Grade B; Hexagon Nuts for other Cap Screws or Bolts are Grade A.

The following abbreviations are used in this manual:

CB	- Carriage Bolt
HHCS	- Hexagon Head Cap Screw
SHSS	- Socket Head Set Screw
SQHSS	- Square Head Set Screw
STHMS	- Slotted Truss Head Machine Screw
HJN	- Hexagon Jam Nut
HLN	- Hexagon Lock Nut
HN	- Hexagon Nut
LW	- Lock Washer
PW	- Plain Washer
SL	- Self-locking (Thread)

TABLE OF CONTENTS

	Page
Introduction	Inside Front Cover
Decal Locations	2-3
Main Frame & Blower	4-5
Hopper & Rotor	6-7
Implement Drive Line, Shifter & Guards	8-9
Rotor Drive	10-11
Options	12-16
540 RPM Normal Duty 35 Series Telescoping Drive	12
540 RPM Heavy Duty 35 Series Telescoping Drive	13
1000 RPM 35 Series Telescoping Drive for 1-3/8-21 Spline Shaft	14
1000 RPM 35 Series Telescoping Drive for 1-3/4-20 Spline Shaft	15
1000 RPM Conversion Package	16
Accessories	17-19
9" Diameter Blower Pipes & Elbows	17
Blower Pipe Adaptors	17-18
Telescoping Pipe Fitting	17
Flexible Hood w/Springs	17
Adjustable Deflector	18
Distributor Pipe	18
Hopper Section	18
Quick Clamp	18
Tire Guard	19
Water Inlet Adaptor	19
Grain Shield	19
Numerical Index	20-21
Torque Specifications	Inside Back Cover
Attaching Hardware	Inside Back Cover

FB99 - DECAL LOCATIONS

Decal Locations are shown to assist in application of new decals in the event of damage to the Decal or refinishing of the machine. Check listing for information and the illustrations for their location.

Surfaces **MUST** be free from dirt, dust, grease and other foreign material before applying the new Decal. To apply, remove the smaller portion of the decal backing paper and apply this part of the exposed adhesive backing to the clean surface while maintaining proper position and alignment. Peel the other portion of the backing paper off slowly while applying hand pressure to smooth out Decal surface.

NOTE: Discard Decals NOT required for this machine. Always order Decals by set number. DO NOT order Decals separately.

The Decal Kit number for the FB99 is 061479. The Kit includes the following Decals:

- 1 - 060143 WARNING - Rotating Guard
- 2 - 044228 Decal - Joint Service
- 3 - 061275 WARNING - 540 RPM
- 061274 WARNING - 1000 RPM (Not Shown and Not Provided in this Kit)
- 4 - 065771 Decal - Shear Bolts (All Drives except 540 Heavy Duty)
- 054106 Decal - Use Grade 8 Shear Bolts (540 Heavy Duty Only) (Not Shown)

- 5 - 057075 Decal - Grease Flange
- 6 - 060144 WARNING - Read Operator's Manual
- 7 - 061660 Decal - General Operation
- 8 - 060590 WARNING - Rotating Component (Four Places)
- 9 - 060140 WARNING - General (Two Places)
- 10 - 053823 Decal - Engage/Disengage (Two Places)
- 11 - 061203 GEHL (Two Places)
- 12 - 061659 99 (Two Places)
- 13 - 056247 Decal - Air Setting (Two Places)
- 14 - 061187 Decal - Grease Symbol (Six Places)

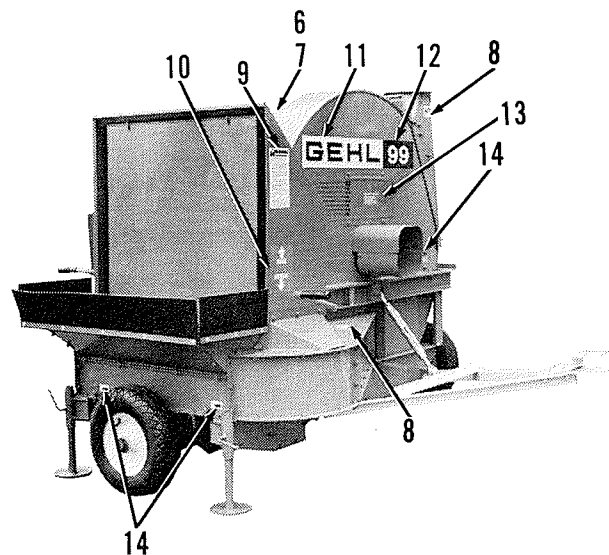
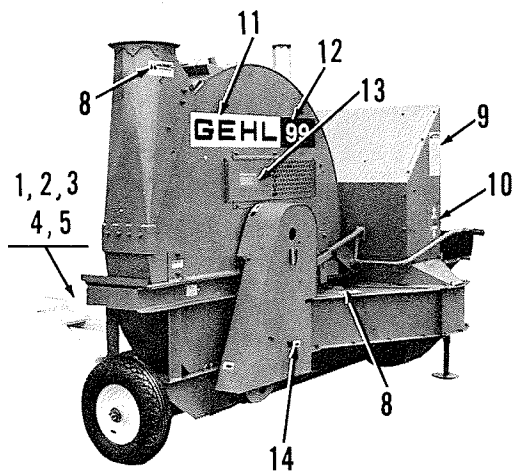


WARNING: Always Observe Safety Rules Shown on Decals. If Decals become damaged, or if unit is repainted, replace Decals.

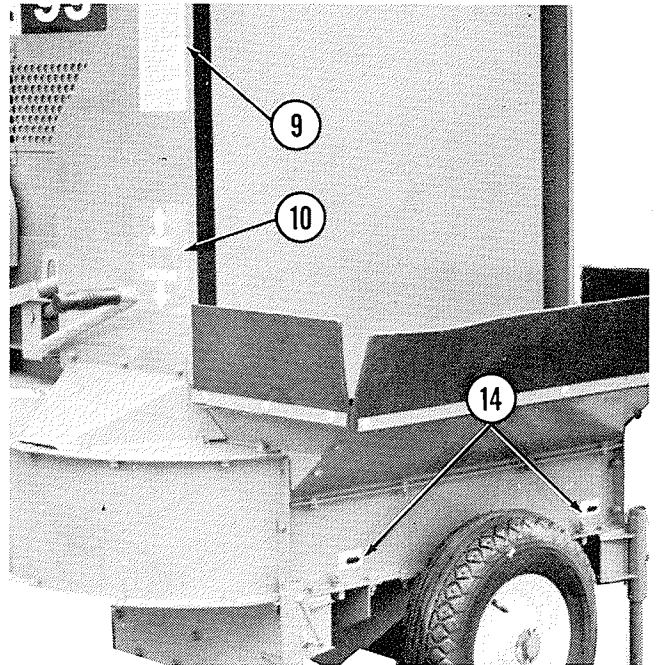
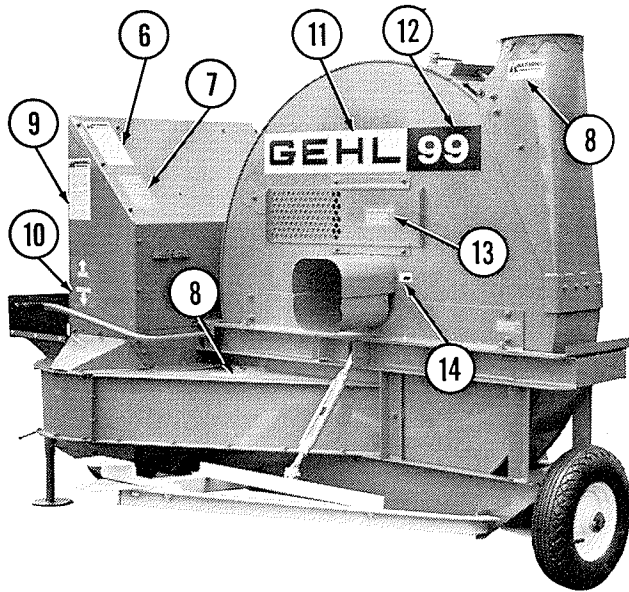
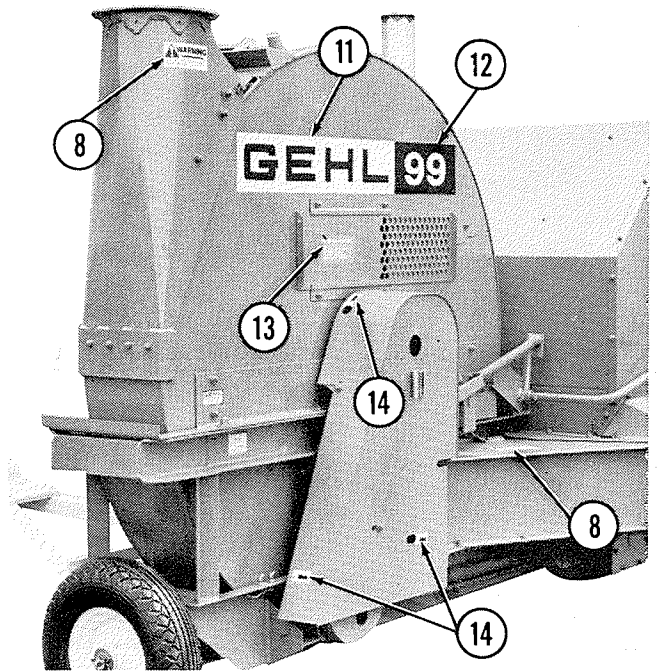
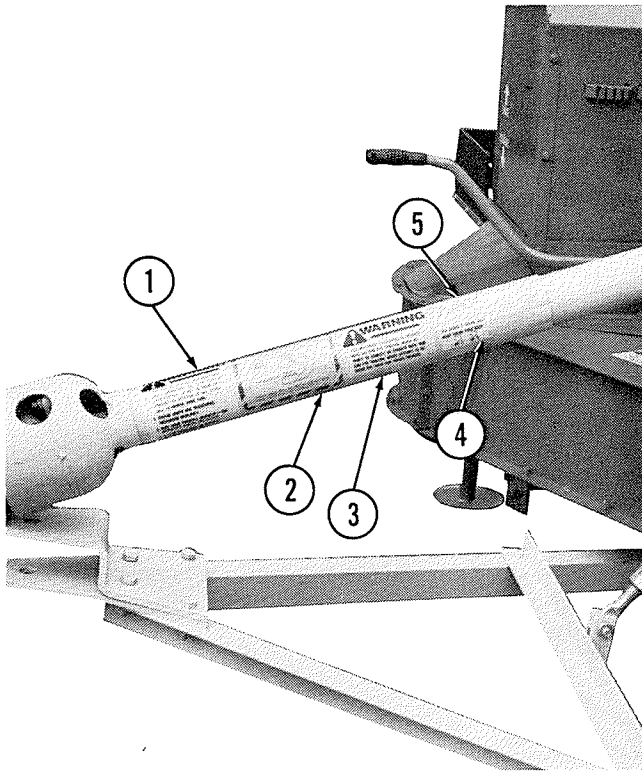
NOTICE

Order paint for refinishing machines from this list:

- 901225 One Gallon Blaze Paint
- 901226 One Gallon Maize Paint
- 610239 6 (12 oz.) Cans Blaze Spray Paint
- 610240 6 (12 oz.) Cans Maize Spray Paint

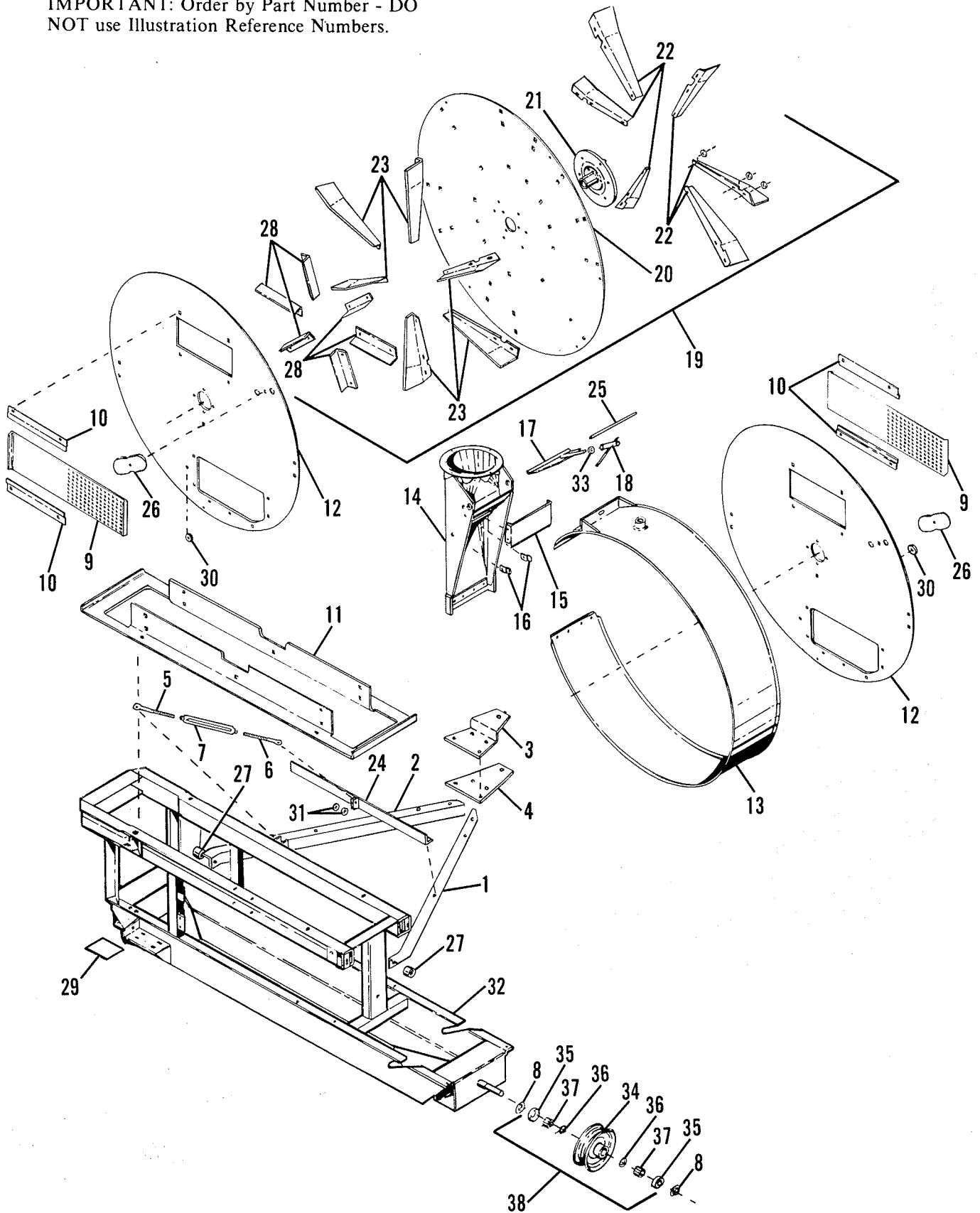


FB99 - DECAL LOCATIONS



FB99 - MAIN FRAME and BLOWER

IMPORTANT: Order by Part Number - DO NOT use Illustration Reference Numbers.

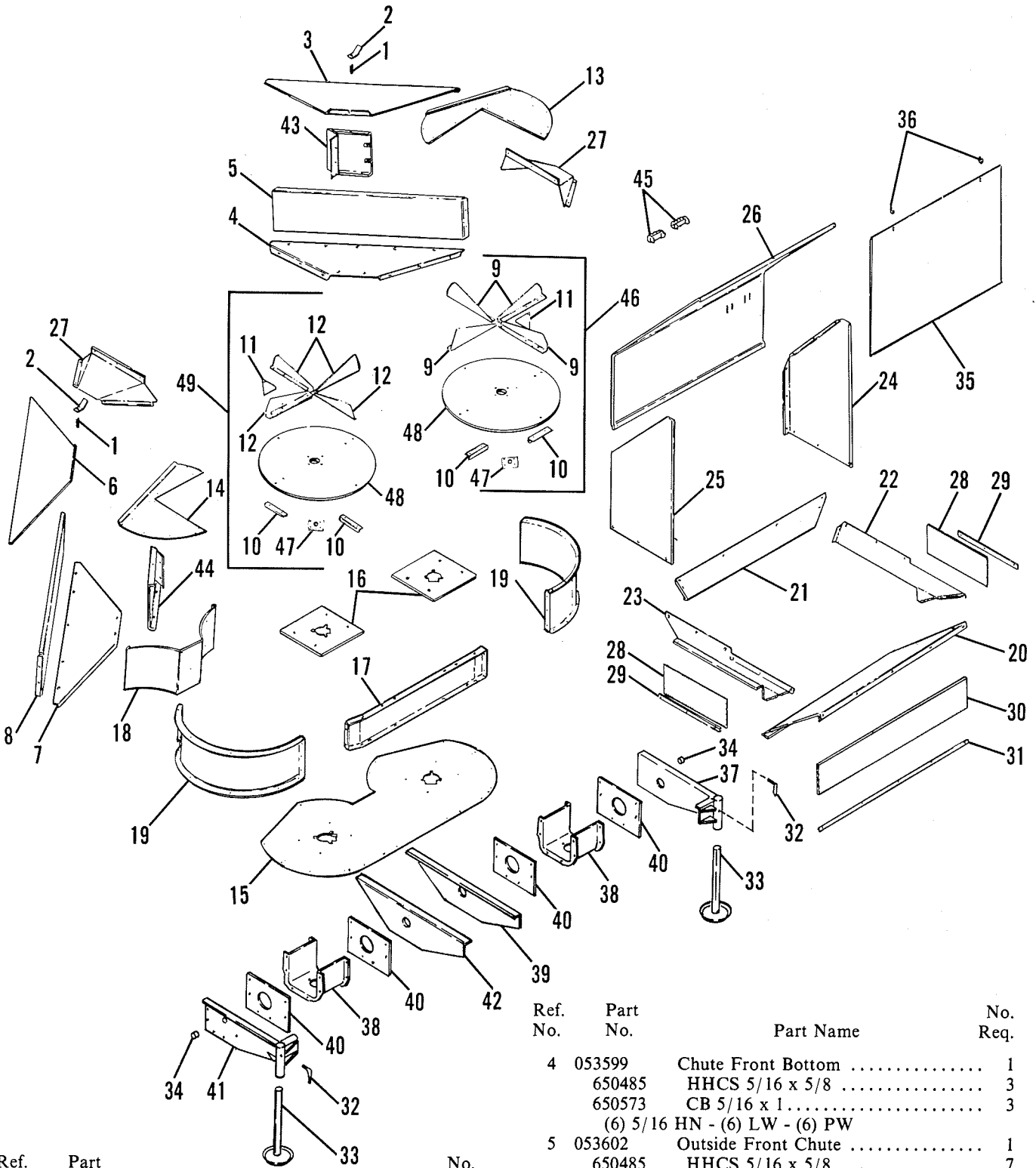


FB99 - MAIN FRAME and BLOWER

Ref. No.	Part No.	Part Name	No. Req.	Ref. No.	Part No.	Part Name	No. Req.
1	D905E	Drawbar - Right	1	20	053583	Blower Disc	1
	650569	HHCS 1/2 x 1-3/4	1	21	053585	Blower Disc Hub	1
		(2) 1/2 HLN - (1) PW			650535	HHCS 3/8 x 2-1/4	9
2	D906E	Drawbar - Left	1		(9) 5/8	HN - (9) LW	
	650569	HHCS 1/2 x 1-3/4	1	22	053586	Front Paddle	6
		(2) 1/2 HLN - (1) PW			650842	CB 5/8 x 1-1/2	18
3	D9143A	Upper Drawbar Hitch	1		(18) 5/8	HN - (18) LW	
	650569	HHCS 1/2 x 1-3/4	4	23	053587	Rear Paddle	6
		(4) 1/2 HN - (4) LW			650482	CB 5/8 x 1-1/2	18
4	D9144A	Lower Drawbar Hitch	1		(18) 5/8	HN - (18) LW	
5	D9147	Adjustment Screw R.H.	1	24	053708	Drawbar Tie	1
	650569	HHCS 1/2 x 1-3/4	1		650495	HHCS 1/2 x 1-1/4	2
		(1) 1/2 HLN			(2) 1/2	HLN - (2) LW	
		(1) 3/4 HJN		25	053873	Toggle Pivot	1
6	D9148	Adjustment Screw - L.H.	1		655006	Cotterpin 1/8 x 1	2
	650569	HHCS 1/2 x 1-3/4	1	26	054005	Access Hole Cover	2
		(1) 1/2 HLN			650437	CB 5/16 x 5/8	2
7	D9149	Adjustment Turnbuckle	1		(2) 5/16	HLN - (2) PW	
8	D9151	Axle Washer	4	27	054543	Drawbar Spacer	2
9	D9183	Air Intake Cover	2	28	055693	Reinforcement Angle	6
10	D9187	Cover Guide	4			(Used After Serial #2000)	
	650687	CB 5/16 x 3/4	8	29	056353	Blower Sheave Shim	2
		(8) 5/16 HN - (8) LW				(Used After Serial #1250 and Before Serial #9476)	
11	053564	Housing Support	1	30	057557	Washer	2
	650494	HHCS 1/2 x 1-1/4	3			(Used After Serial #5600)	
	650527	CB 1/2 x 1-1/4	1		650745	CB 5/16 x 1-1/4	2
		(4) 1/2 HN - (4) LW - (8) PW			(2) 5/16	HN - (2) LW - (2) PW	
	650790	CB 3/8 x 3/4	8		D9150	Washer	2
	650704	CB 3/8 x 1	2			(Used Before Serial #5601)	
		(10) 3/8 HN - (10) LW		31	058357	Washer	2
12	053565	Blower Side	2	32	059170	Main Frame	1
13	053566	Blower Rim	1			(Used After Serial #5600)	
	650370	FSHCS 5/16 x 1	4		655029	Cotterpin 1/4 x 1-3/4	4
		(4) 5/16 HN - (4) LW			053536	Main Frame	1
14	053569	Blower Outlet	1			(Used Before Serial #5601)	
15	053574	Cut-off Knife	1	33	061694	Hardened 5/8 PW	1
	650704	CB 3/8 x 1	4	34	550046	Wheel (For 4.80 14.00 x 8 4-Ply Tube Type Tire)	2
		(4) 3/8 HN - (4) LW - (4) PW			570011	Grease Fitting	2
16	053575	Outlet Guide	2	35	550047	End Cap	4
	650790	CB 3/8 x 3/4	2	36	550048	Stop Washer	4
		(2) 3/8 HN - (2) LW		37	550049	Roller Bearing	4
17	053576	Outlet Toggle	1	38	550050	Wheel - Assembled	2
18	053579	Rim Tightener	1				
19	053582	Blower Disc-Assembled	1				
	650240	SQHSS 1/2 x 3/4	1				
	650243	SQHSS 1/2 x 1-1/4	1				

FB99 - HOPPER and ROTOR

IMPORTANT: Order by Part Number - DO NOT use Illustration Reference Numbers.



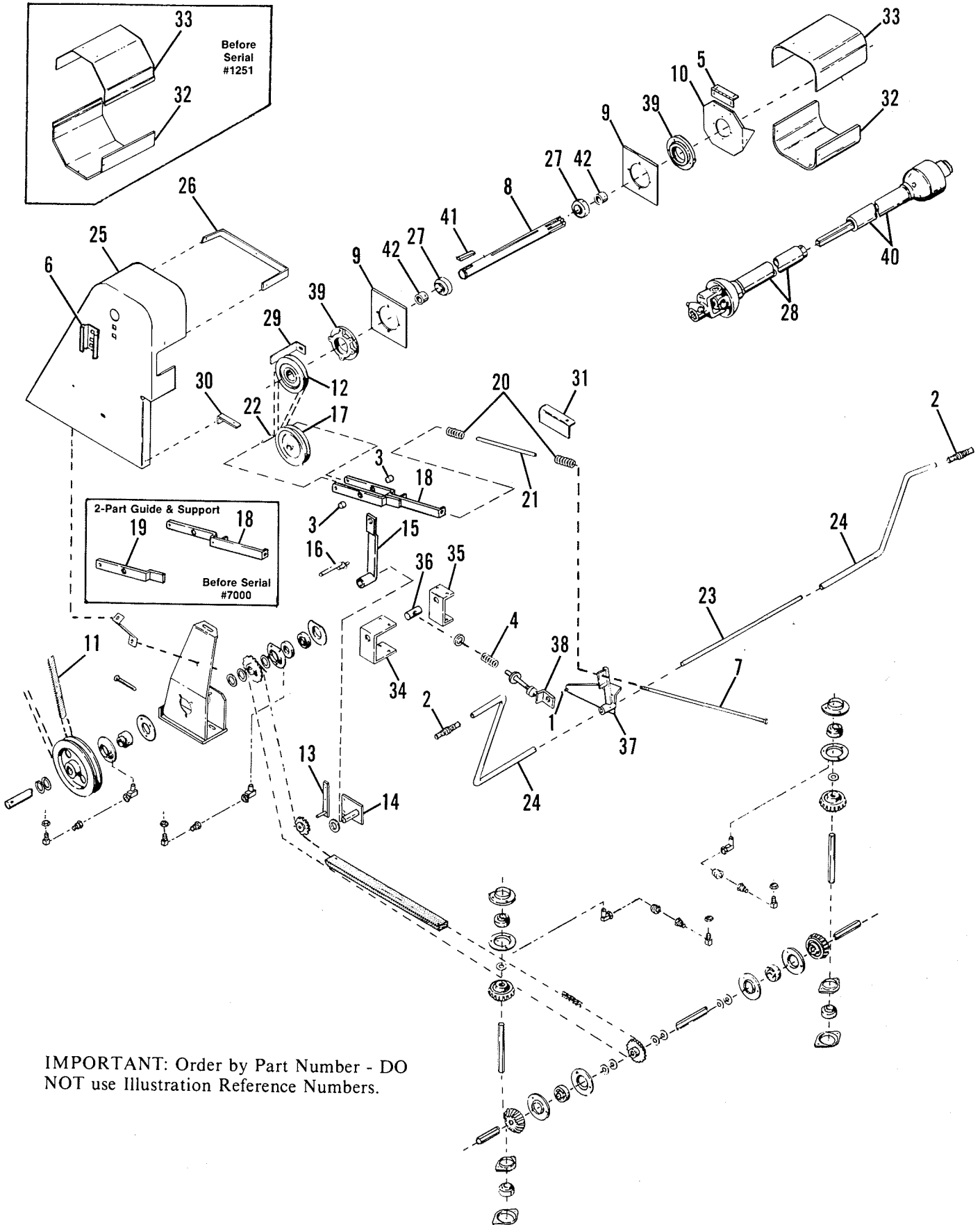
Ref. No.	Part No.	Part Name	No. Req.
1	A162	Compression Spring	2
	650568	HHCS 5/16 x 2	2
		(2) 5/16 HLN - (2) PW	
2	H6046	Cover Lock	2
3	053598	Chute Front Cover	1

Ref. No.	Part No.	Part Name	No. Req.
4	053599	Chute Front Bottom	1
	650485	HHCS 5/16 x 5/8	3
	650573	CB 5/16 x 1	3
		(6) 5/16 HN - (6) LW - (6) PW	
5	053602	Outside Front Chute	1
	650485	HHCS 5/16 x 5/8	7
	650437	CB 5/16 x 5/8	2
		(9) 5/16 HN - (9) LW - (5) PW	
6	053604	Chute Rear Cover	1
7	053605	Chute Rear Bottom	1
	650485	HHCS 5/16 x 5/8	3
	650573	CB 5/16 x 1	3
		(6) 5/16 HN - (6) LW - (3) PW	

FB99 - HOPPER and ROTOR

Ref. No.	Part No.	Part Name	No. Req.	Ref. No.	Part No.	Part Name	No. Req.
8	053607	Outside Rear Chute	1	33	053646	Base	2
	650485	HHCS 5/16 x 5/8	5	34	053660	Hole Plug.....	2
	650487	HHCS 5/16 x 1	1	35	053916	Hopper Baffle	1
	650437	CB 5/16 x 5/8.....	2	36	053917	Hook Bolt	2
		(8) 5/16 HN - (8) LW - (4) PW				(2) 5/16 HN - (2) HJN	
9	053614	Front Rear Paddle	4	37	055112	Gearbox Front Cover	1
	650490	HHCS 3/8 x 1	6			(Used After Serial #1250)	
		(6) 3/8 HN - (6) LW		053888	Gearbox Front Cover	(Used Before Serial #1251)	1
10	053615	Wiper	4			HHCS 5/16 x 3/4	6
	650491	HHCS 3/8 x 1-1/4.....	8			(6) 5/16 HN - (6) LW	
		(8) 3/8 HN - (8) LW				650490 HHCS 3/8 x 1	3
11	053616	Cover	2			(3) 3/8 HN - (3) LW	
		(Used Before Serial #11076)		38	055114	Gearbox	2
12	053618	Rear Rotor Paddle	4			(Used After Serial #1250)	
	650490	HHCS 3/8 x 1	6	053656	Gearbox	(Used Before Serial #1251)	2
		(6) 3/8 HN - (6) LW				650486 HHCS 5/16 x 3/4	12
13	053619	Rotor Top Front Housing	1			(12) 5/16 HN - (12) LW	
14	053620	Rotor Top Rear Housing	1	39	055115	Bearing Front Support	1
15	053621	Hopper Bottom.....	1			(Used After Serial #1250)	
16	053622	Hopper Base Reinforcement	2	053658	Bearing Front Support	(Used Before Serial #1251)	1
	650490	HHCS 3/8 x 1	4			650490 HHCS 3/8 x 1	2
		(4) 3/8 HN - (4) LW				(2) 3/8 HN - (2) LW	
17	053623	Rotor Right Rim	1	40	055116	Gasket	4
	650486	HHCS 5/16 x 3/4	4			(Used After Serial #1250)	
		(4) 5/16 HN - (4) LW - (2) PW		053659	Gasket	(Used Before Serial #1251)	4
18	053624	Rotor Left Rim.....	1	41	055117	Gearbox Rear Cover	1
	650485	HHCS 5/16 x 5/8	2			(Used After Serial #1250)	
	650486	HHCS 5/16 x 3/4	1	053889	Gearbox Rear Cover	(Used Before Serial #1251)	1
	650487	HHCS 5/16 x 1	2			650486 HHCS 5/16 x 3/4	6
		(5) 5/16 HN - (5) LW - (9) PW				(6) 5/16 HN - (6) LW	
19	053627	Rotor Rim	2			650490 HHCS 3/8 x 1	3
	650485	HHCS 5/16 x 5/8	20			(3) 3/8 HN - (3) LW	
		(20) 5/16 HN - (20) LW - (16) PW		42	055119	Bearing Rear Support	1
20	053628	Right Hopper	1			(Used After Serial #1250)	
	650485	HHCS 5/16 x 5/8	10	053664	Bearing Rear Support	(Used Before Serial #1251)	1
		(10) 5/16 HN - (10) LW				650490 HHCS 3/8 x 1	2
21	053629	Left Hopper.....	1			(2) 3/8 HN - (2) LW	
	650485	HHCS 5/16 x 5/8	8	43	059199	Inside Front Chute.....	1
		(8) 5/16 HN - (8) LW				650485 HHCS 5/16 x 5/8	3
22	053630	Front Hopper	1			650487 HHCS 5/16 x 1	1
	650485	HHCS 5/16 x 5/8	3			650687 CB 5/16 x 3/4.....	2
		(3) 5/16 HN - (3) LW				(4) 5/16 HN - (4) PW	
23	053631	Rear Hopper	1	44	059201	Inside Rear Chute	1
	650485	HHCS 5/16 x 5/8	3	45	059272	Shear Bolt Holder	2
		(3) 5/16 HN - (3) LW				(Used After Serial #5600)	
24	053632	Hopper Front Side.....	1	46	066772	Front Rotor - Assembled	1
	650485	HHCS 5/16 x 5/8	9			(Used After Serial #11075)	
		(4) 5/16 HN - (9) LW		053609	Front Rotor - Assembled	(Used Before Serial #11076)	1
25	053633	Hopper Rear Side	1	47	066773	Rotor Hub.....	2
	650485	HHCS 5/16 x 5/8	9			(Used After Serial #11075)	
		(9) 5/16 HN - (9) LW		053610	Rotor Hub.....	(Used Before Serial #11076)	2
26	065634	Hopper Left Side	1	48	066775	Rotor	2
	650487	HHCS 5/16 x 1	2			(Used After Serial #11075)	
		(2) 5/16 HN - (2) LW - (2) PW		053613	Rotor	(Used Before Serial #11076)	2
27	053635	Hopper Side Support.....	2	49	066676	Rear Rotor - Assembled	1
	650485	HHCS 5/16 x 5/8	8			(Used After Serial #11075)	
		(8) 5/16 HN - (8) LW		053617	Rear Rotor - Assembled	(Used Before Serial #11076)	1
28	053636	Hopper Skirt	2				
29	053637	Skirt Strap	2				
	650949	STHMS 5/16 x 3/4	6				
		(6) 5/16 HN					
30	053638	Hopper Skirt - Right	1				
31	053639	Skirt Strap - Right	1				
	650949	STHMS 5/16 x 3/4	5				
		(5) 5/16 HN					
32	053645	Adjustment Screw	2				

FB99 - IMPLEMENT DRIVE LINE, SHIFTER & GUARDS

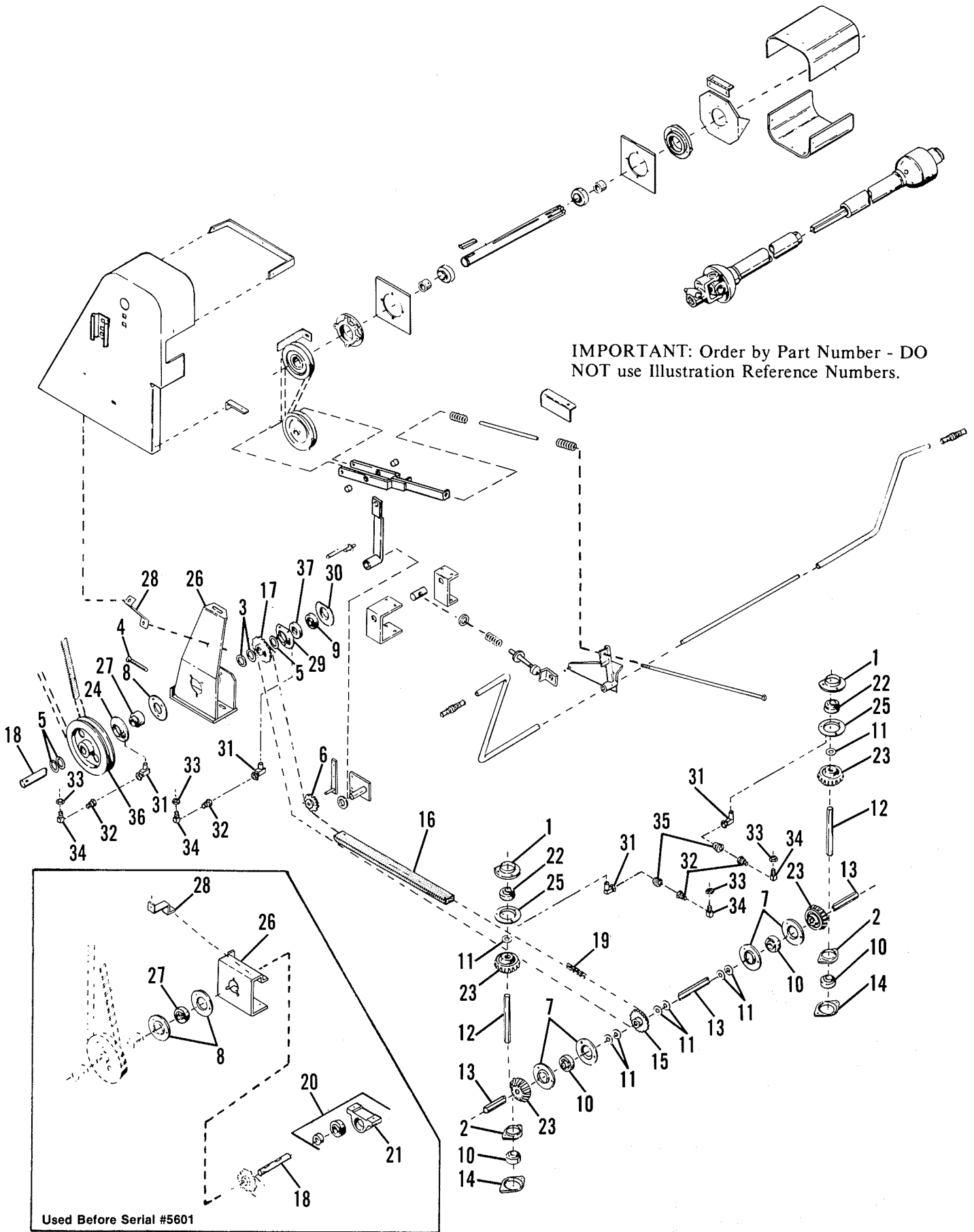


FB99 - IMPLEMENT DRIVE LINE, SHIFTER & GUARDS

Ref. No.	Part No.	Part Name	No. Req.	Ref. No.	Part No.	Part Name	No. Req.
1	D9191	Bushing	1	29	053826	Belt Retainer.....	1
2	M12106	Lever Grip.....	2	30	053857	Guard Support.....	1
3	M12306	Spacer	2		650485	HHCS 5/16 x 5/8	1
4	042000	Compression Spring	1		(1) 5/16 HN - (1) LW		
5	046677	Hinge	1	31	053858	Spring Guide	1
	650485	HHCS 5/16 x 5/8	4	32	055122	PTO Lower Guard	1
	(4) 5/16 HN - (4) LW				(Used After Serial #1250)		
6	047269	SMV Symbol Mounting Socket ..	1		053592	PTO Lower Guard	1
	650947	STHMS 5/16 x 1/2.....	2		(Used Before Serial #1251)		
	(2) 5/16 HN - (2) LW			33	055123	PTO Upper Guard.....	1
7	047576	Hexagon Head Bolt 1/2 x 22	1		(Used After Serial #1250)		
	(1) 1/2 HN				053693	PTO Upper Guard.....	1
8	053588	Main Shaft 1-3/4 x 19-1/4.....	1		(Used Before Serial #1251)		
	655536	Woodruff Key 3/8 x 1-1/4.....	1	34	059180	Pivot Bracket	1
9	053591	Bearing Plate	2		(Used After Serial #5600)		
10	053593	PTO Guard Bracket	1		650487	HHCS 5/16 x 1	2
	650485	HHCS 5/16 x 5/8	3		650577	HHCS 5/16 x 1-1/2	2
	(3) 5/16 HN - (3) LW				(4) 5/16 HN - (4) LW - (2) PW		
11	053673	V-Belt.....	1	35	059181	Pivot-In Bracket.....	1
12	053675	Drive Sheave 6-1/2 Dia.....	1		(Used After Serial #5600)		
	650207	SHSS-SL 5/16 x 1/2	1	36	059182	Spring Pivot	1
13	053676	Idler Support	1		(Used After Serial #5600)		
	650786	CB 3/8 x 1-1/4.....	2	37	059190	Clutch Arm.....	1
	(2) 3/8 HN - (2) LW				(Used After Serial #5600)		
	(1) 5/8 HN - (1) LW - (1) PW				053700	Clutch Arm.....	1
14	053679	Idler Pivot.....	1		(Used Before Serial #5601)		
	655020	Cotterpin 3/16 x 1-1/2	1		(1) 3/8 LW - (1) PW		
15	053682	Idler Arm	1	38	059192	Lever Lock	1
	570005	Grease Fitting.....	1		(Used After Serial #5600)		
16	053685	Belt Guide.....	1		053704	Lever Lock	1
	(1) 1/2 HN - (1) LW				(Used Before Serial #5601)		
17	053688	Idler Sheave - 7" Dia.	1		(2) 1/2 PW		
	650695	CB 5/8 x 3-1/2.....	1	39	065368	Bearing Housing	2
	(1) 5/8 HN - (1) LW - (1) PW				570008	Grease Fitting.....	2
18	053689	Spring Guide	1		650585	HHCS 1/2 x 2	6
19	053692	Idler Support	1		650502	HHCS 1/2 x 2-1/4	2
	(Used Before Serial #7000)				(8) 1/2 HN - (1) LW - (1) PW		
20	053696	Compression Spring	1	40	065901A	Universal Joint w/Sq. Shaft	
21	053698	Spacer	1		(Normal Duty)	1	
22	053699	Belt Spacer	1		(Used After Serial #10375)		
	650818	HHCS 3/8 x 3	1		053742A-B	Universal Joint w/Sq. Shaft	
	(1) 3/8 HN - (1) LW - (1) PW				(Normal Duty)	1	
23	053706	Shifter Link	1		(Used Before Serial #10376)		
24	053707	Shifter Handle	2		or		
	650426	HHCS 1/4 x 1-1/4	3		065898A	Universal Joint w/Sq. Shaft	
	650706	HHCS 1/4 x 2	1		(Heavy Duty)	1	
	(4) 1/4 HN - (4) LW				(Used After Serial #10375)		
25	053711	Drive Guard	1		044213A-C	Universal Joint w/Sq. Shaft	
	650486	HHCS 5/16 x 3/4	3		(Heavy Duty)	1	
	(1) 5/16 HN - (3) LW - (3) PW				(Used Before Serial #10376)		
26	053714	Guard Upper Bracket	1	41	068745	Tapered Key 7/16 x 5-1/2	1
27	053720	Ball Bearing	2	42	520195	Bearing Lock Collar	2
28	053743A	Universal Joint w/Sq. Tube					
	(Normal Duty).....		1				
	or						
	044214A	Universal Joint w/Sq. Tube					
	(Heavy Duty)		1				

A For repair parts, see Universal Drive topic.
B For total Joint replacement, order #065901.
C For total Joint replacement, order #065898.

FB99 - ROTOR DRIVE



IMPORTANT: Order by Part Number - DO NOT use Illustration Reference Numbers.

Used Before Serial #5601

FB99 - ROTOR DRIVE

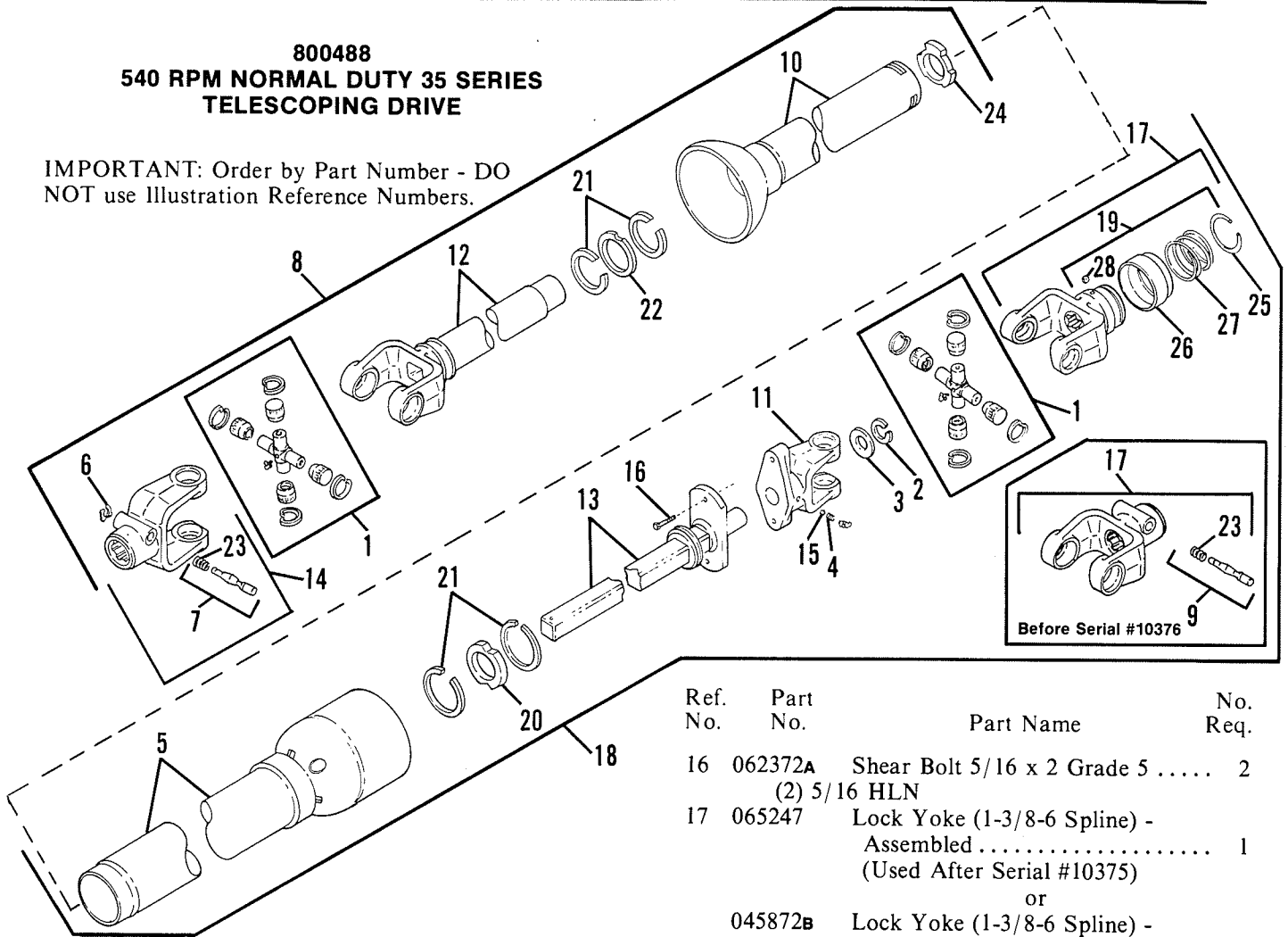
Ref. No.	Part No.	Part Name	No. Req.	Ref. No.	Part No.	Part Name	No. Req.
1	H195A	Bearing Retainer	2	25	057586	Bearing Retainer	2
2	H487	Bearing Retainer	2			(Used After Serial #11075)	
	650704	CB 3/8 x 1	4		H193A	Bearing Retainer	2
	(4) 3/8	HN - (4) LW				(Used Before Serial #11076)	
3	D932A	Clutch Washer	2		650704	CB 3/8 x 1	6
		(Used After Serial #5600)			(6) 3/8	HN - (6) LW	
4	H7100	Special CB 3/8 x 3-1/4.....	1	26	059183	Bearing Bracket	1
		(Used After Serial #5600)				(Used After Serial #5600)	
5	H7126	Shim Washer	8		053668	Bearing Bracket	1
		(Only 5 Used Before Serial #9476)				(Used Before Serial #5601)	
6	H8254	Chain Tightener Sprocket (17T) ..	1		650487	HHCS 5/16 x 1	1
7	R13227	Bearing Retainer	4		(1) 5/16	HN - (1) LW	
	650704	CB 3/8 x 1	6		650786	CB 3/8 x 1-1/4.....	5
	(6) 3/8	HN - (6) LW			(5) 3/8	HN - (5) LW - (5) PW	
8	042902	Bearing Retainer	1	27	059188	Ball Bearing	1
		(Used After Serial #5600)				(Used After Serial #5600)	
	H275	Bearing Retainer	2		520185	Ball Bearing	1
		(Used Before Serial #5601)				(Used Before Serial #5601)	
9	042903	Ball Bearing	1	28	059195	Guard Lower Bracket	1
10	044260	Ball Bearing	4			(Used After Serial #5600)	
11	045818	Washer 1/8" Thick	As Req'd.		053715	Guard Lower Bracket	1
	045819	Washer 1/16" Thick	As Req'd.			(Used Before Serial #5601)	
	046145	Washer 1/32" Thick	As Req'd.	29	059197	Bearing Retainer	1
12	053652	Rotor Drive Shaft 1 x 8-1/16	2			(Used After Serial #5600)	
	655020	Cotterpin 3/16 x 1-1/2	6		650687	CB 5/16 x 3/4	3
13	053654	Drive Shaft 1 x 22-15/16	1		(3) 5/16	HN - (3) LW	
	655020	Cotterpin 3/16 x 1-1/2	2	30	059198	Jackshaft Bearing Retainer	1
14	053657	Bearing Retainer	2			(Used After Serial #5600)	
15	053661	Sprocket (21T)	1	31	061843B	Angle Snap-On Coupler	4
	650196	SHSS 1/4 x 5/16.....	1			(Used After Serial #11075)	
16	053665	Chain Slide	1	32	061845B	Straight Tube Connector	4
	650573	CB 5/16 x 1	2			(Used After Serial #11075)	
	(2) 5/16	HN - (2) LW - (2) PW		33	061848	Bulkhead Adapter Nut	4
17	053666	Sprocket (19T)	1			(Used After Serial #11075)	
	650210	SHSS 3/8 x 5/16.....	1	34	065624	Right Angle Adapter.....	4
18	053667	Jack Shaft 1 x 5-13/16	1			(Used After Serial #11075)	
	650513	Woodruff Key 1/4 x 1	2		570018	Grease Fitting.....	4
	655020	Cotterpin 3/16 x 1-1/2	1	35	065642	Snub Bushing	2
19	053716	Chain (#50) of 166 Links Including One 500057 Plain Coupler & Two 500058 Offset Couplers.....	1			(Used After Serial #11075)	
20	053717	Bearing - Assembled	1	36	066769	Driven Sheave 9" Dia.	1
		(Used Before Serial #5601)				(Used After Serial #11075)	
21	053718	Bearing Housing	1		650206	SHSS 5/16 x 1/2.....	1
		(Used Before Serial #5601)			061639c	Driven Sheave 9" Dia.	1
22	053719	Ball Bearing	2			(Used After Serial #8550 and Before Serial #11076)	
23	054559	Bevel Gear (14T)	4		053672D	Driven Sheave 9" Dia.	1
		(Used After Serial #1250)				(Used Before Serial #8551)	
	053653A	Bevel Gear (14T)	4	37	520084	Bearing Lock Collar	1
		(Used Before Serial #1251)					
24	056847	Bearing Retainer	1				
		(Used Before Serial #8551 and After Serial #11075)					
	042901	Bearing Retainer	1				
		(Used After Serial #8550 and Before Serial #11076)					

- A** For replacement, order #054559.
- B** To repair a broken or damaged Grease Line, order Tubing Kit #065185. (Instructions for Grease Line repair are included with Kit).
- C** For replacement, order #066769.
- D** For replacement, order #061639.

FB99 - OPTIONS

800488 540 RPM NORMAL DUTY 35 SERIES TELESCOPING DRIVE

IMPORTANT: Order by Part Number - DO NOT use Illustration Reference Numbers.



Ref. No.	Part No.	Part Name	No. Req.
	800488	540 RPM Normal Duty 35 Series Telescoping Drive	1
		Consists of:	
1	045327	Center Cross Kit	2
	570014	Grease Fitting	2
2	045882	Retaining Ring	1
3	045883	Washer	1
4	045884	Compression Spring	1
5	045911	Female Guard	1
6	045912	"X" Washer	1
7	045913	Locking Pin w/Spring	1
8	053743	Universal Joint w/Sq. Tube - Assembled	1
9	053865	Locking Pin w/Spring (Used Before Serial #10376)	1
10	054116	Male Guard	1
11	054117	Shear Yoke	1
	570002	Grease Fitting	1
12	054118	Yoke & Tube	1
13	054119	Shaft w/Shear Flange	1
14	056009	Attaching Yoke (1-3/4-6 Spline) - Assembled	1
15	060120	Steel Ball - 5/16" Dia. (Used After Serial #10375)	1
	666000	Steel Ball (Used Before Serial #10376)	1

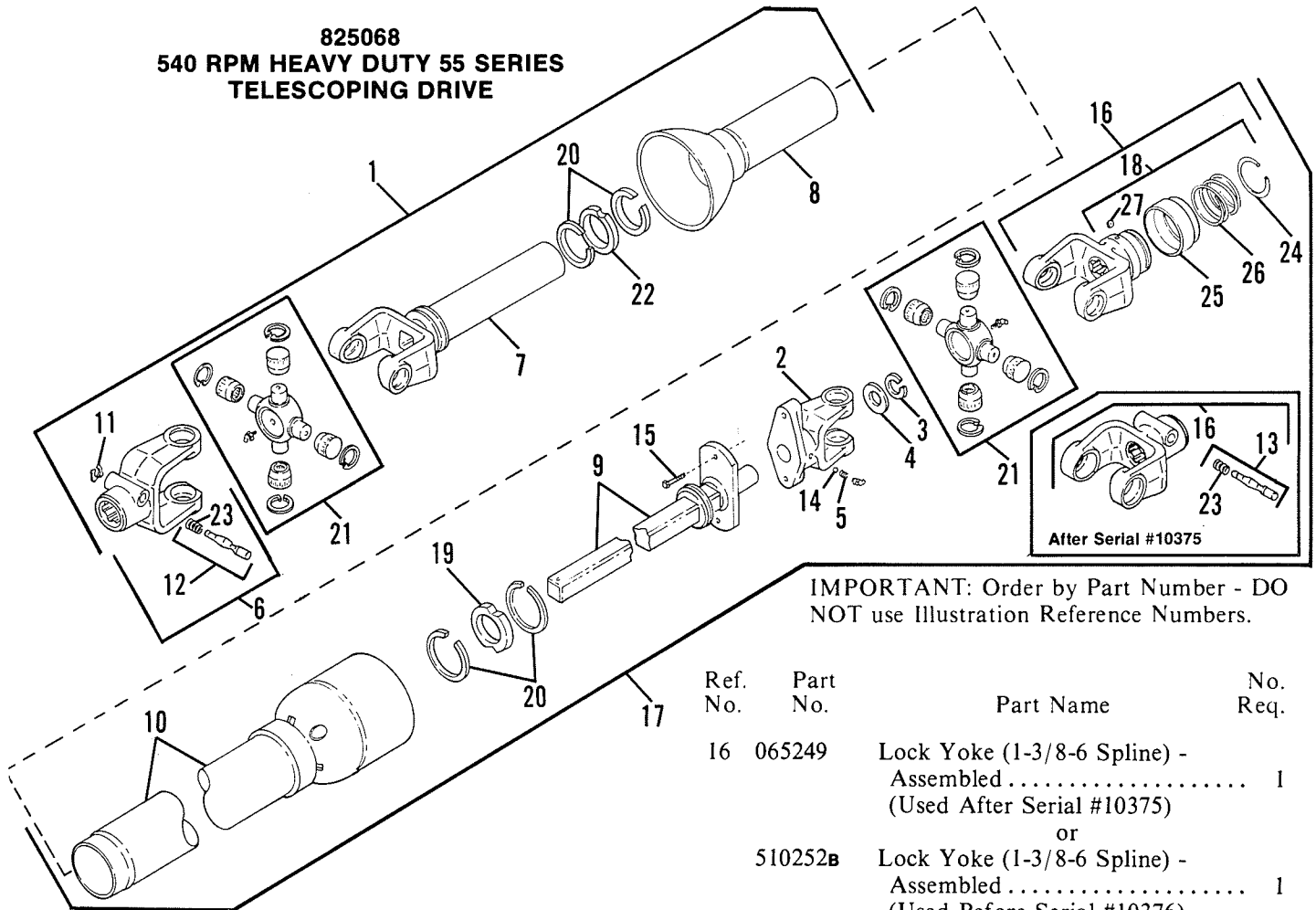
Ref. No.	Part No.	Part Name	No. Req.
16	062372A	Shear Bolt 5/16 x 2 Grade 5 (2) 5/16 HLN	2
17	065247	Lock Yoke (1-3/8-6 Spline) - Assembled (Used After Serial #10375)	1
		or	
	045872B	Lock Yoke (1-3/8-6 Spline) - Assembled (Used Before Serial #10376)	1
18	065901	Universal Joint w/Sq. Shaft (Normal Duty) (Used After Serial #10375)	1
		or	
	053742c	Universal Joint w/Sq. Shaft (Normal Duty) (Used Before Serial #10376)	1
19	067537	Slide Lock Kit (Used After Serial #10375)	1
20	510023	Nylon Bearing	1
21	510100	Bearing Retainer	4
22	510202	Nylon Bearing	1
23	510205	Locking Pin Spring (Two Used Before Serial #10376)	1
24	510215	Nylon Centralizer	1
25	510226	Retaining Ring (Used After Serial #10375)	1
26	510227	Collar (Used After Serial #10375)	1
27	510228	Spring (Used After Serial #10375)	1
28	510229	Pawl (Used After Serial #10375)	2

A For Replacement Shear Bolts, order Kit #901605 (containing 8 Bolts & HLN).

B For Replacement, order #065247 Yoke.

C For Replacement, order #065901 Joint.

**825068
540 RPM HEAVY DUTY 55 SERIES
TELESCOPING DRIVE**



IMPORTANT: Order by Part Number - DO NOT use Illustration Reference Numbers.

Ref. No.	Part No.	Part Name	No. Req.
	825068	540 RPM Heavy Duty 55 Series Telescoping Drive	1
		Consists of:	
1	044214	Universal Joint w/Sq. Tube - Assembled	1
2	045881	Shear Yoke	1
	570002	Grease Fitting	1
3	045882	Retaining Ring	1
4	045883	Washer	1
5	045884	Spring	1
6	045907	Attaching Yoke (1-3/4-6 Spline) - Assembled	1
7	045908	Yoke & Tube	1
8	045909	Male Guard	1
9	045910	Shaft w/Shear Flange	1
10	045911	Female Guard	1
11	045912	"X" Washer	1
12	045913	Locking Pin w/Spring	1
13	053865	Locking Pin w/Spring (Used Before Serial #10376)	1
14	060120	Steel Ball - 5/16" Dia. (Used After Serial #10375)	1
	666000	Steel Ball - 5/16" Dia. (Used Before Serial #10376)	1
15	062371A	Shear Bolt 5/16 x 1-3/4 Grade 8 (2) 5/16 HLN	2

Ref. No.	Part No.	Part Name	No. Req.
16	065249	Lock Yoke (1-3/8-6 Spline) - Assembled (Used After Serial #10375)	1
		or	
	510252B	Lock Yoke (1-3/8-6 Spline) - Assembled (Used Before Serial #10376)	1
17	065898	Universal Joint w/Sq. Shaft (Heavy Duty) (Used After Serial #10375)	1
		or	
	044213c	Universal Joint w/Sq. Shaft (Heavy Duty) (Used Before Serial #10376)	1
18	067537	Slide Lock Kit (Used After Serial #10375)	1
19	510023	Nylon Bearing	1
20	510100	Bearing Retainer	4
21	510197	Center Cross Kit	2
	570014	Grease Fitting	2
22	510202	Nylon Bearing	1
23	510205	Locking Pin Spring (Two Used Before Serial #10376)	1
24	510226	Retaining Ring (Used After Serial #10375)	1
25	510227	Collar (Used After Serial #10375)	1
26	510228	Spring (Used After Serial #10375)	1
27	510229	Pawl (Used After Serial #10375)	2

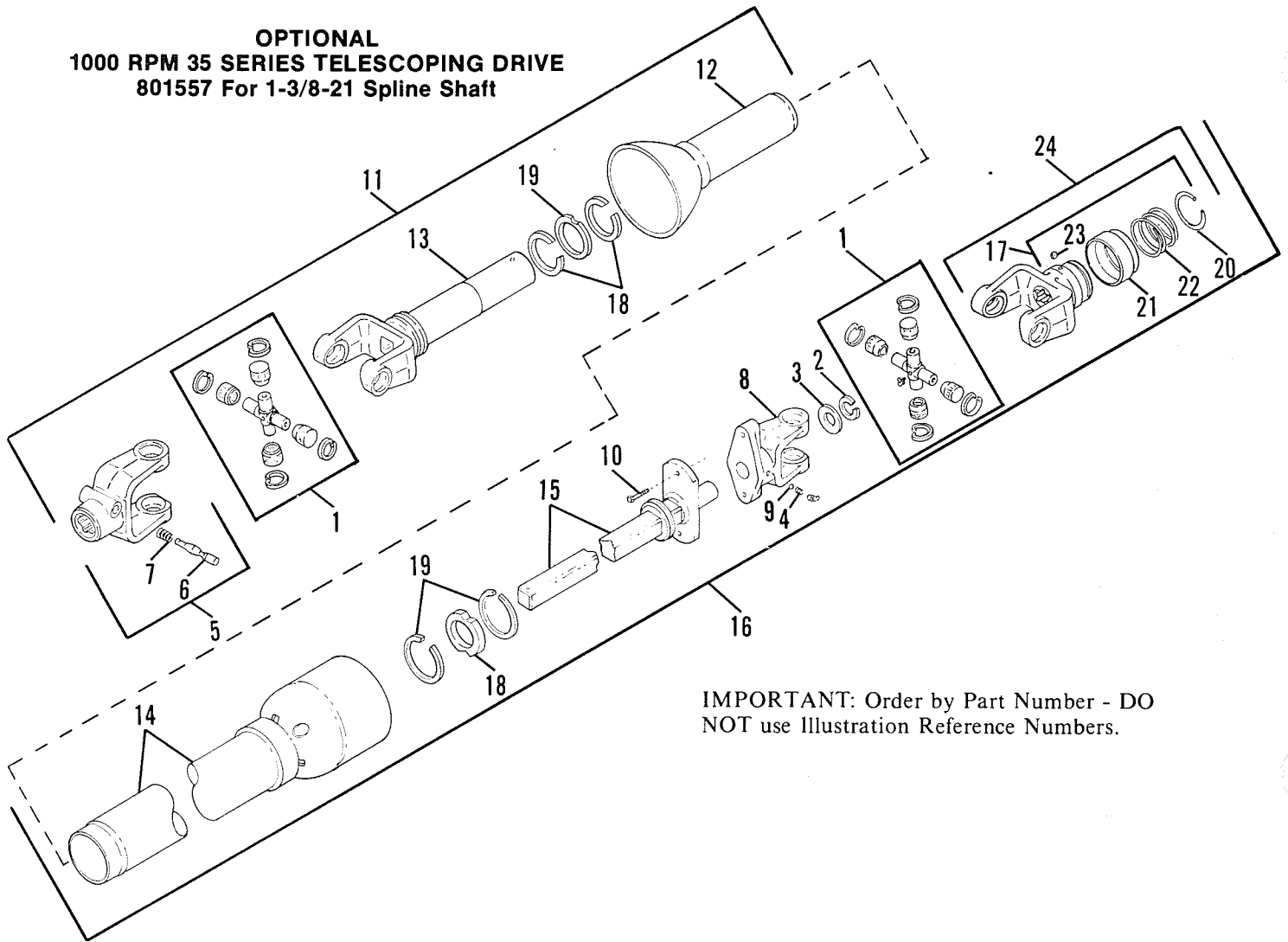
A For Replacement Shear Bolts, order Kit #901606 (containing 8 Bolt & HLN).

B For Replacement, order 065249 Yoke.

C For Replacement, order 065898 Joint.

FB99 - OPTIONS

OPTIONAL 1000 RPM 35 SERIES TELESCOPING DRIVE 801557 For 1-3/8-21 Spline Shaft

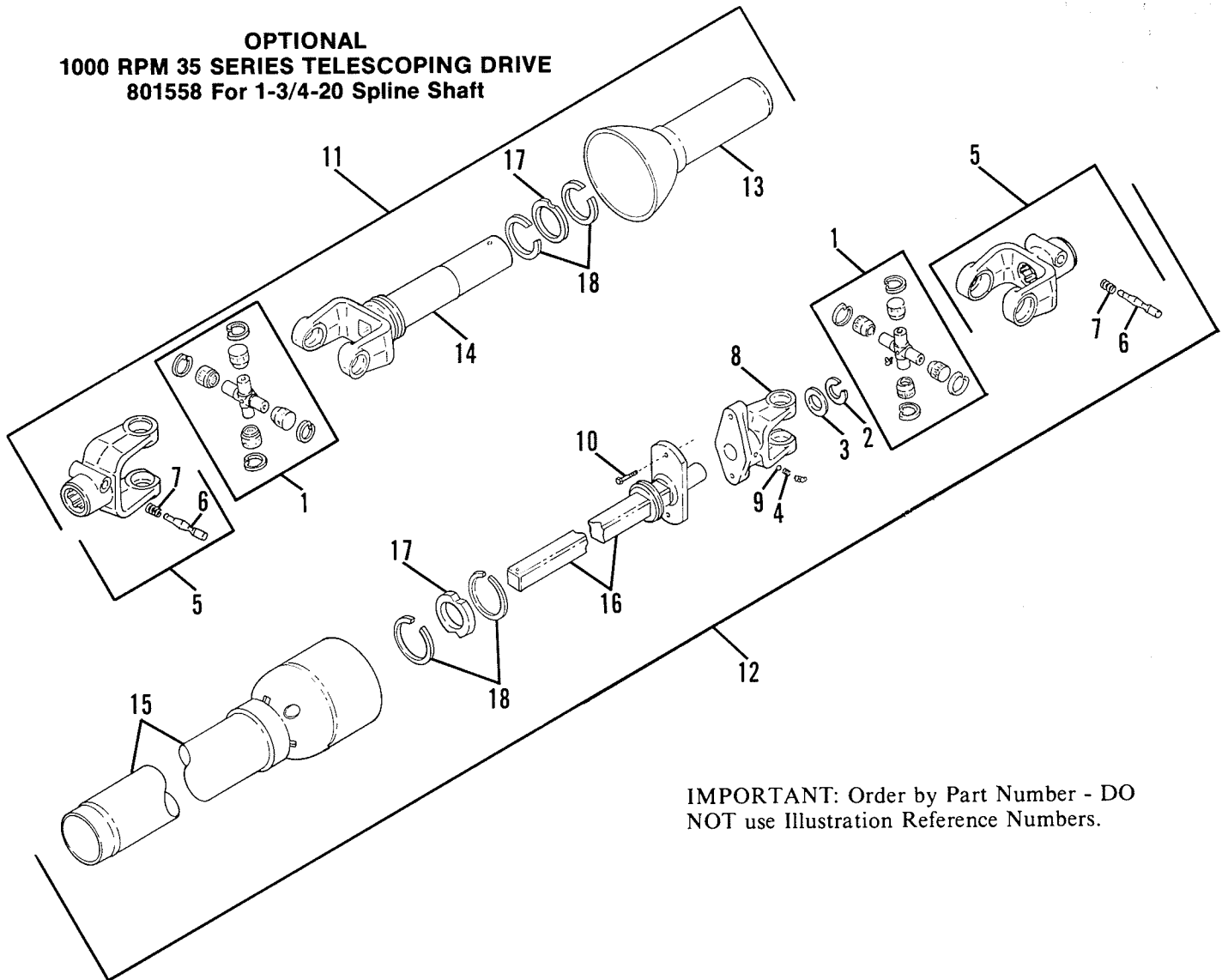


IMPORTANT: Order by Part Number - DO NOT use Illustration Reference Numbers.

Ref. No.	Part No.	Part Name	No. Req.	Ref. No.	Part No.	Part Name	No. Req.
	801557	Telescoping Drive w/1-3/8-21 Spline	1	12	065764	Male Guard	1
		Consists of:		13	065765	Yoke & Tube	1
1	045327	Center Cross Kit	2		570002	Grease Fitting	1
	570014	Grease Fitting	2	14	065766	Female Guard	1
2	045882	Retaining Ring	1	15	065767	Shaft w/Shear Flange	1
3	045883	Washer	1	16	065770	Universal Joint w/Sq. Shaft (1-3/8-21) - Assembled	1
4	045884	Spring	1	17	067537	Slide Lock Kit	1
5	045914	Lock Yoke (1-3/4-20 Spline)	1	18	510023	Nylon Bearing	2
6	045919	Locking Pin	1	19	510100	Retaining Ring	4
7	045922	Locking Pin Spring	1	20	510226	Retaining Ring	1
8	054117	Shear Yoke	1	21	510227	Collar	1
	570002	Grease Fitting	1	22	510228	Spring	1
9	060120	Steel Ball - 5/16" Dia.	1	23	510229	Pawl	2
10	062372A	Shear Bolt 5/16 x 2 Grade 5 (2) 5/16 HLN	2	24	510233	Slide Lock Yoke - Assembled	1
11	065762	Universal Joint w/Sq. Tube - Assembled	1				

A For Replacement Shear Bolts, order Kit #901605 (containing 8 Bolts & HLN).

**OPTIONAL
1000 RPM 35 SERIES TELESCOPING DRIVE
801558 For 1-3/4-20 Spline Shaft**



IMPORTANT: Order by Part Number - DO NOT use Illustration Reference Numbers.

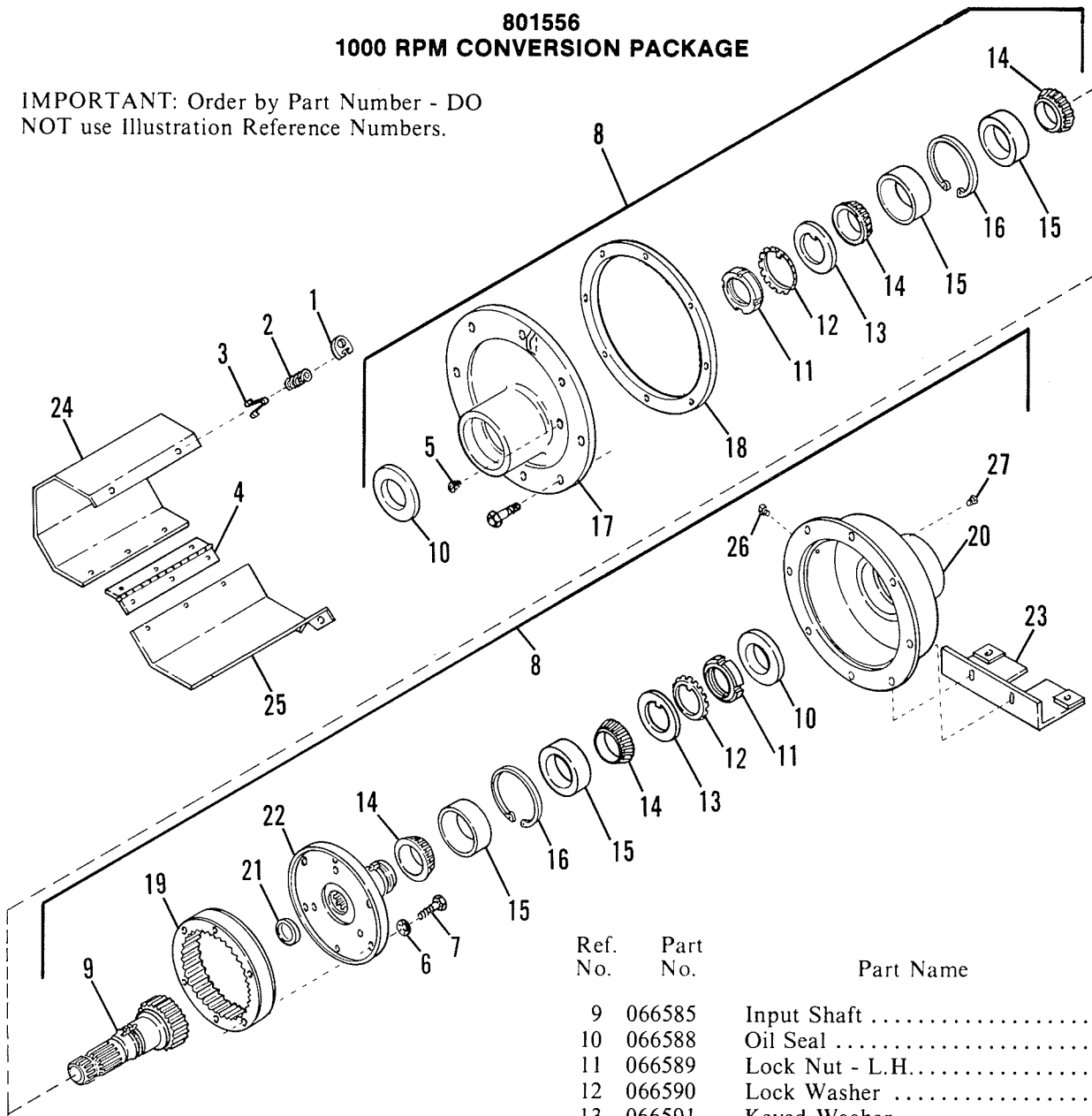
Ref. No.	Part No.	Part Name	No. Req.	Ref. No.	Part No.	Part Name	No. Req.
	801558	Telescoping Drive w/1-3/4-20 Spline	1	11	065762	Universal Joint w/Sq. Tube - Assembled	1
		Consists of:		12	065763	Universal Joint w/Sq. Shaft (1-3/4-20) - Assembled	1
1	045327	Center Cross Kit	2	13	065764	Male Guard	1
	570014	Grease Fitting	1	14	065765	Yoke & Tube	1
2	045882	Retaining Ring	1	15	065766	Female Guard	1
3	045883	Washer	1	16	065767	Sq. Shaft w/Shear Flange	1
4	045884	Spring	1	17	510023	Nylon Bearing	2
5	045914	Lock Yoke (1-3/4-20 Spline)	2	18	510100	Retaining Ring	4
6	045919	Locking Pin	2				
7	045922	Locking Pin Spring	2				
8	054117	Shear Yoke	1				
	570002	Grease Fitting	1				
9	060120	Steel Ball - 5/16" Dia.	1				
10	062372A	Shear Bolt 5/16 x 2 Grade 5	2				
	(2) 5/16 HLN						

A For Replacement Shear Bolts, order Kit #901605 (containing 8 Bolts & HLN).

FB99 - OPTIONS

801556 1000 RPM CONVERSION PACKAGE

IMPORTANT: Order by Part Number - DO NOT use Illustration Reference Numbers.



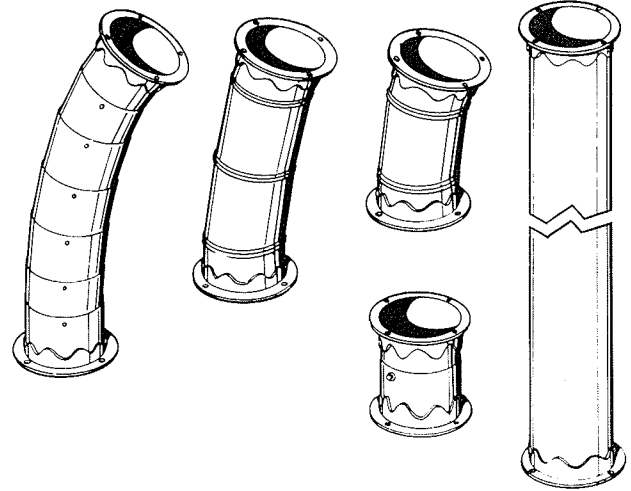
Ref. No.	Part No.	Part Name	No. Req.
	801556	540 to 1000 RPM Conversion Package	1
		Consists of:	
1	055690	Latch Handle	2
2	055691	Latch Spring	2
3	055692	Latch Clip	2
4	056611	Hinge	1
	650542	HHCS 1/4 x 1/2	6
	(6) 1/4	HN - (6) LW	
5	057569	Magnetic Pipe Plug - 1/2	1
6	057637	Bellville Washer	12
7	064223	HHCS 3/8NF x 1-1/4 Grade 8	6
8	066584	Reduction Transmission - Assembled	1

Ref. No.	Part No.	Part Name	No. Req.
9	066585	Input Shaft	1
10	066588	Oil Seal	2
11	066589	Lock Nut - L.H.	2
12	066590	Lock Washer	2
13	066591	Keyed Washer	2
14	066592	Bearing Cone	4
15	066593	Bearing Cup	4
16	066594	Internal Retaining Ring	2
17	066595	Input Housing	1
	650533	HHCS 3/8 x 1-1/2	8
18	066597	Gasket	1
19	066598	Gear (70T)	1
20	066599	Output Housing	1
21	066601	Hole Plug	1
22	066602	Output Shaft	1
23	066605	Torque Bracket	1
	650495	HHCS 1/2 x 1-1/4	2
	650569	HHCS 1/2 x 1-3/4	2
	(2) 1/2	HN - (4) LW - (4) PW	
24	066608	Upper Guard	1
25	066609	Lower Guard	1
26	570016	Relief Fitting	1
27	660001	1/8" Pipe Plug	1

9" DIAMETER BLOWER PIPES & ELBOWS
 (All Pipes & Elbows have four attaching holes on end for 5/16 Diameter fasteners)

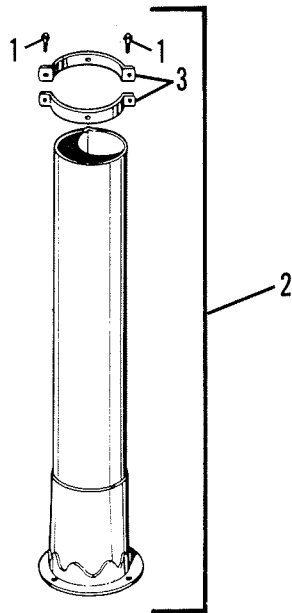
Stock No.	Part No.	Description
825001	D3002	2-Ft Straight Pipe
825002	D3003	4-Ft Straight Pipe
825003	D3004	6-Ft Straight Pipe
825005	D3005	8-Ft Straight Pipe
825006	D3010	22-1/2° Elbow
825007	D3011	45° Elbow
825009	D3014	Flexible Elbow
825010	D3015	Short Tilt Elbow

NOTE: For Replacement of Pipe Flange only, order D3000A Flange secured with (8) 069176 3/16 x 9/32 Rivets.



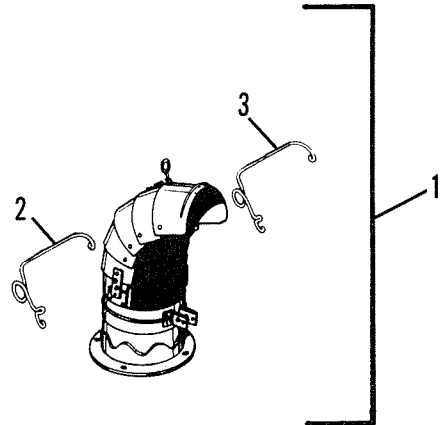
BLOWER PIPE ADAPTORS

825005 TELESCOPING PIPE FITTING



Ref. No.	Part No.	Part Name	No. Req.
	825005	Telescoping Pipe Fitting.....	1
		Consists of:	
1	A599	Telescope Pipe Bolt.....	2
		(2) 3/8 HN	
2	D3006A	Telescope Pipe - Assembled.....	1
3	D3007	Telescope Pipe Clamp.....	2

825008 FLEXIBLE HOOD w/SPRINGS

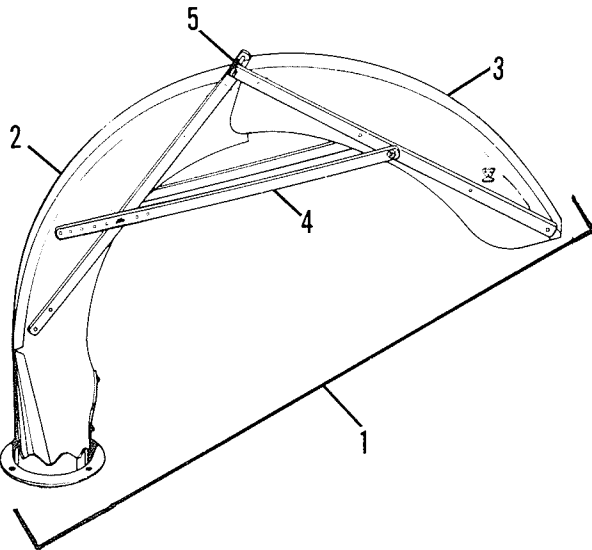


Ref. No.	Part No.	Part Name	No. Req.
	825008	Flexible Hood w/Springs.....	1
		Consists of:	
1	D3012A	Flexible Distributor - Assembled .	1
	650548	RHMS #1024 x 1/2.....	7
		(7) #1024 HN - (7) PW	
	650577	HHCS 5/16 x 1-1/2	
		(1) 5/16 HN - (1) LW	
2	D3043	Right Distributor Spring	1
3	D3044	Left Distributor Spring.....	1

FB99 - ACCESSORIES

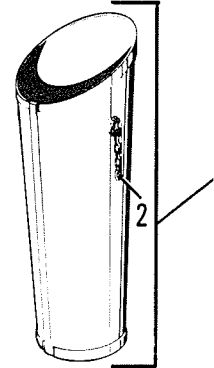
BLOWER PIPE ADAPTORS (Cont.)

825011 - ADJUSTABLE DEFLECTOR



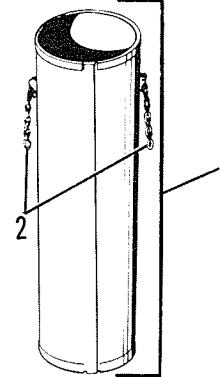
Ref. No.	Part No.	Part Name	No. Req.
825011		Adjustable Deflector	1
		Consists of:	
1	D3008Ba	Adjustable Deflector Elbow - Assembled	1
2	D3026	Deflector	1
3	D3027	Deflector Extension	1
4	D3028	Deflector Adjustment Strap	2
	652135	CB 5/16 x 1	4
		(2) 5/16 HN - (4) LW - (2) WN	
5	D3029	Deflector Hinge Rod	1
	650448	HHCS 1/8 x 3/4	2

825012 - DISTRIBUTOR PIPE



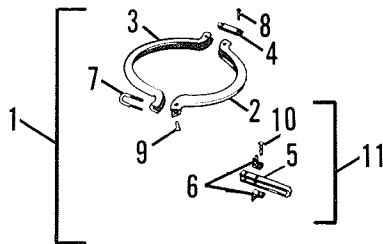
Ref. No.	Part No.	Part Name	No. Req.
825012		Distributor Pipe	1
		Consists of:	
1	D3009B	Distributor Top Section - Assembled	1
2	D3042	Distributor Chain	2
	654544	Rivet 3/16 x 3/8	2

825013 - HOPPER SECTION



Ref. No.	Part No.	Part Name	No. Req.
825013		Hopper Section	1
		Consists of:	
1	D3040	Distributor Pipe - Assembled	1
2	3042	Distributor Chain	2
	654544	Rivet 3/16 x 3/8	2

825014 - QUICK CLAMP

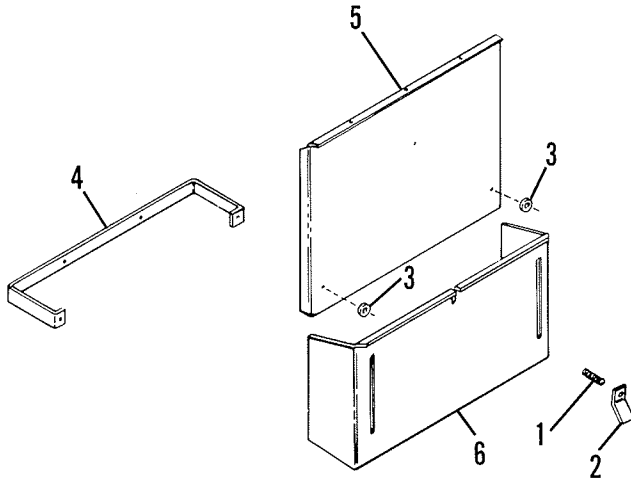


Ref. No.	Part No.	Part Name	No. Req.
825014		Quick Clamp	1
		Consists of:	
1	D3013A	Pipe Clamp - Assembled	1
2	D3017	Pipe Clamp	1
3	D3017A	Pipe Clamp	1

Ref. No.	Part No.	Part Name	No. Req.
4	D3018	Pipe Clamp Connector	1
5	D3019B	Lock Handle	1
6	D3020B	Lock Bracket	2
7	D3021	Lock Yoke	1
		(4) 1/4 HN	
8	D3022	Rivet 15/32" Long	2
9	D3022A	Rivet - 3/4" Long	1
10	D3022B	Rivet 1" Long	1
11	D3024	Lock Handle - Assembled	1

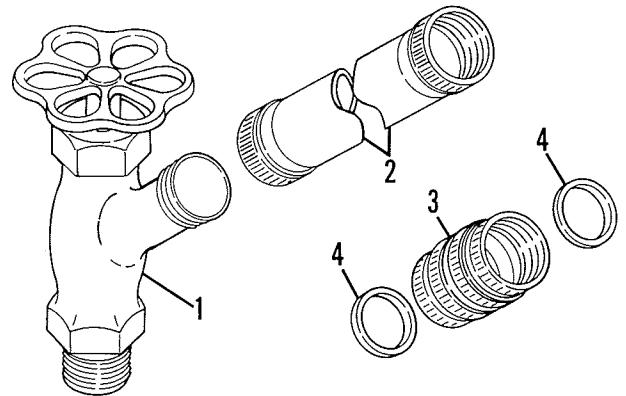
A For Replacement of Pipe Flange only, order D300A Flange secured with (8) 069176 3/16 x 9/32 Rivets.
B For Replacement, order D3024.

800465 - TIRE GUARD



Ref. No.	Part No.	Part Name	No. Req.
800465		Tire Guard	1
Consists of:			
1	A162	Snap Lock Spring	1
	650568	HHCS 5/16 x 2	1
		(1) 5/16 HLN - (1) PW	
2	H6046	Snap Lock.....	1
3	H6053	Bushing	2
4	053648	Tire Guard Bracket	1
	650487	HHCS 5/16 x 1	4
		(4) 5/16 HN - (4) LW - (4) PW	
5	053650	Wheel Upper Cover.....	1
	650485	HHCS 5/16 x 5/8	3
		(3) 5/16 HN - (3) LW	
6	053651	Wheel Lower Cover.....	1

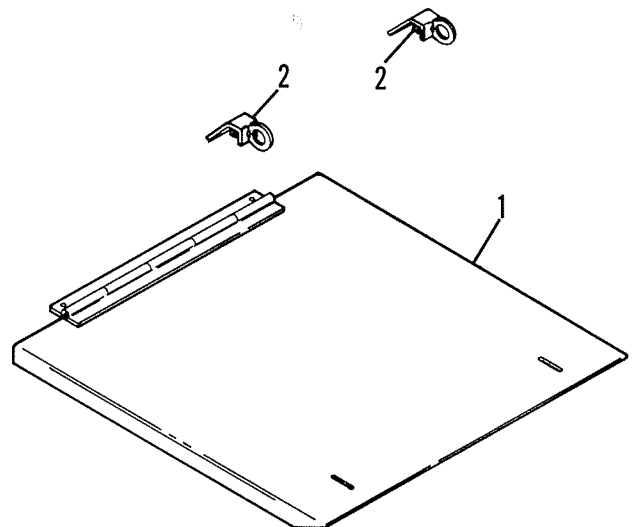
600138 - WATER INLET ADAPTOR



Ref. No.	Part No.	Part Name	No. Req.
600138		Water Inlet Adaptor	1
Consists of:			
1	046774	Drain Cock	1
2	046775A	Hose (Early Style)	1
3	060348	Hose Coupling	1
4	060349	Washer.....	2

A For replacement, order One 060348 & One 060349.

800707 - GRAIN SHIELD



Ref. No.	Part No.	Part Name	No. Req.
800707		Grain Shield	1
Consists of:			
1	056183	Grain Shield	1
2	056186	Support	2
	650485	HHCS 5/16 x 5/8	2
		(2) 5/16 HN - (2) LW - (2) PW	

FB99 - NUMERICAL INDEX

Part No.	Page No.	Part No.	Page No.	Part No.	Page No.	Part No.	Page No.
A162	6,19	044214	9,13	053618	7	053715	11
H193A	11	044260	11	053619	7	053716	11
H195A	11	045327	12,14,15	053620	7	053717	11
H275	11	045818	11	053621	7	053718	11
H487	11	045819	11	053622	7	053719	11
A599	17	045872	12	053623	7	053720	9
D905E	5	045881	13	053624	7	053742	9,12
D906E	5	045882	12,13,14,15	053627	7	053743	9,12
D932A	11	045883	12,13,14,15	053628	7	053826	9
D3000A	17,18	045884	12,13,14,15	053629	7	053857	9
D3006	17	045907	13	053630	7	053858	9
D3007	17	045908	13	053631	7	053865	12,13
D3008B	18	045909	13	053632	7	053873	5
D3009B	18	045910	13	053633	7	053888	7
D3012	17	045911	12,13	053635	7	053889	7
D3013A	18	045912	12,13	053636	7	053916	7
D3017	18	045913	12,13	053637	7	053917	7
D3017A	18	045914	14,15	053638	7	054005	5
D3018	18	045919	14,15	053639	7	054116	12
D3019	18	045922	14,15	053645	7	054117	12,14,15
D3020	18	046145	11	053636	7	054118	12
D3021	18	046677	9	053648	19	054119	12
D3022	18	046774	19	053650	19	054543	5
D3022A	18	046775	19	053651	19	054559	11
D3022B	18	047269	9	053652	11	055112	7
D3024	18	047576	9	053653	11	055114	7
D3026	18			053654	11	055115	7
D3027	18	050000		053656	7	055116	7
D3028	18	053536	5	053657	11	055117	7
D3029	18	053564	5	053658	7	055119	7
D3040	18	053565	5	053659	7	055122	9
D3042	18	053566	5	053660	7	055123	9
D3043	17	053569	5	053661	11	055690	16
D3044	17	053574	5	053664	7	055691	16
H6046	6,19	053575	5	053665	11	055692	16
H6053	19	053576	5	053666	11	055693	5
H7100	11	053579	5	053667	11	056009	12
H7126	11	053582	5	053668	11	056183	19
H8254	11	053583	5	053672	11	056186	19
D9143A	5	053585	5	053673	9	056353	5
D9144A	5	053586	5	053675	9	056611	16
D9147	5	053587	5	053676	9	056847	11
D9148	5	053588	9	053679	9	057557	5,16
D9149	5	053591	9	053682	9	057569	16
D9150	5	053592	9	053685	9	057586	11
D9151	5	053593	9	053688	9	057637	16
D9183	5	053598	6	053689	9	058357	5
D9187	5	053599	6	053692	9	059170	5
D9191	9	053602	6	053693	9	059180	9
M12106	9	053604	6	053696	9	059181	9
M12306	9	053605	6	053698	9	059182	9
R13227	11	053607	7	053699	9	059183	11
		053609	7	053700	9	059188	11
040000		053610	7	053704	9	059190	9
042000	9	053613	7	053706	9	059192	9
042901	11	053614	7	053707	9	059195	11
042902	11	053615	7	053708	5	059197	11
042903	11	053616	7	053711	9	059198	11
044213	9,13	053617	7	053714	9	059199	7

FB99 - NUMERICAL INDEX

Part No.	Page No.	Part No.	Page No.	Part No.	Page No.	Part No.	Page No.
059201	7						
059272	7						
		500000		900000			
		500057	11	901605	12,14,15		
		500058	11	901606	13		
060000		510023	12,13,14,15				
060120	12,13,14,15	510100	12,13,14,15				
060348	19	510197	13				
060349	19	510202	12,13				
061639	11	510205	12,13				
061694	5	510215	12				
061843	11	510226	12,13,14				
061845	11	510227	12,13,14				
061848	11	510228	12,13,14				
062371	13	510229	12,13,14				
062372	12,14,15	510233	14				
064223	16	510252	13				
065185	11	520084	11				
065247	12	520185	11				
065249	13	520195	9				
065368	9	550046	5				
065624	11	550047	5				
065634	7	550048	5				
065642	11	550049	5				
065762	14,15	550050	5				
065763	15	570002	12,14,15				
065764	14,15	570005	9				
065765	14,15	570008	9				
065766	14,15	570011	5				
065767	14,15	570014	12,14,15				
065770	14	570016	16				
065898	9,13	570018	11				
065901	9,12						
066584	16	600000					
066585	16	600138	19				
066588	16	660001	16				
066589	16	666000	12,13				
066590	16	800000					
066591	16	800465	19				
066592	16	800488	12				
066593	16	800707	19				
066594	16	801556	16				
066595	16	801557	14				
066597	16	801558	15				
066598	16	825001	17				
066599	16	825002	17				
066601	16	825003	17				
066602	16	825004	17				
066605	16	825005	17				
066608	16	825006	17				
066609	16	825007	17				
066676	7	825008	17				
066769	11	825009	17				
066772	7	825010	17				
066773	7	825011	18				
066775	7	825012	18				
067537	12,13,14	825013	18				
068745	9	825014	18				
069176	17,18	825068	13				

NOTES

NOTES

NOTES

TORQUE SPECIFICATIONS FOR STANDARD MACHINE HARDWARE

SIZE	SAE GRADE #2				SAE GRADE #5				SAE GRADE #8			
	DRY		LUB.		DRY		LUB.		DRY		LUB.	
8 - 32	19	In. Lbs.	14	In. Lbs.	30	In. Lbs.	22	In. Lbs.	41	In. Lbs.	31	In. Lbs.
8 - 36	20	"	15	"	31	"	23	"	43	"	32	"
10 - 24	27	"	21	"	43	"	32	"	60	"	45	"
10 - 32	31	"	23	"	49	"	36	"	68	"	51	"
1/4 - 20	66	"	50	"	9	Ft. Lbs.	75	"	12	Ft. Lbs.	9	Ft. Lbs.
1/4 - 28	76	"	56	"	10	"	86	"	14	"	10	"
5/16 - 18	11	Ft. Lbs.	9	Ft. Lbs.	17	"	13	Ft. Lbs.	25	"	18	"
5/16 - 24	12	"	9	"	19	"	14	"	25	"	20	"
3/8 - 16	20	"	15	"	30	"	23	"	45	"	35	"
3/8 - 24	23	"	17	"	35	"	25	"	50	"	35	"
7/16 - 14	32	"	24	"	50	"	35	"	70	"	55	"
7/16 - 20	36	"	27	"	55	"	40	"	80	"	60	"
1/2 - 13	50	"	35	"	75	"	55	"	110	"	80	"
1/2 - 20	55	"	40	"	90	"	65	"	120	"	90	"
9/16 - 12	70	"	55	"	110	"	80	"	150	"	110	"
9/16 - 18	80	"	60	"	120	"	90	"	170	"	130	"
5/8 - 11	100	"	75	"	150	"	110	"	220	"	170	"
5/8 - 18	110	"	85	"	180	"	130	"	240	"	180	"
3/4 - 10	175	"	130	"	260	"	200	"	380	"	280	"
3/4 - 16	200	"	150	"	300	"	220	"	420	"	320	"
7/8 - 9	170	"	125	"	430	"	320	"	600	"	460	"
7/8 - 14	180	"	140	"	470	"	360	"	660	"	500	"
1 - 8	250	"	190	"	640	"	480	"	900	"	680	"
1 - 12	270	"	210	"	710	"	530	"	1000	"	740	"

Multiply In. Lbs. by (8.890) or Ft. Lbs. by (1.383) for metric Nm

NOTE: These torque values are to be used for all GEHL hardware excluding: locknuts, self-tapping screws, thread forming screws, and sheet metal screws. Unless otherwise noted, all torque values must meet this specification.

ATTACHING HARDWARE TABLE

Size & Description	Part Number	Size & Description	Part Number	Size & Description	Part Number	Size & Description	Part Number
#0124HN	650550	5/16HJN	653034	3/8PW	654006	1/2PW	654009
1/4HN	653005	5/16LW	654024	1/2HN	653018	5/8HN	653021
1/4LW	654022	5/16PW	654004	1/2HLN	071706	5/8LW	654032
5/16HN	653007	3/8HN	653010	1/2LW	654030	3/4HJN	650857
5/16HLN	070701	3/8LW	654026				

GEHL®

FARM EQUIPMENT

GEHL COMPANY WEST BEND, WISCONSIN 53095 U.S.A.