

Form No.
907554

7190

Feeder Wagon



PARTS MANUAL

GEHL® AGRICULTURE

Introduction

When ordering service parts, specify the correct part number, full description, quantity required, the unit model number and serial number.

The Feeder Wagon model and serial number is on a plate located on the left side of the Main Frame at the front left corner. "Right" and "Left" are determined from a position standing behind the Feeder Wagon facing the direction of travel. From this position, the Discharge Conveyor is on the "left" side.

GEHL® Company reserves the right to make changes or improvements in the design or construction of any part of the unit without incurring the obligation to install such changes on any previously delivered units.

NOTE: *On original tire replacement, Company policy prohibits the sale of replacement tires for all GEHL machinery. Replacement Wheel Sets are available and tire size information is called out with the Wheel Sets to facilitate replacement tire selection. ALL REPLACEMENT TIRES MUST BE PURCHASED LOCALLY.*

Refer to the abbreviations table located on this page for the various fastener descriptions. Standard attaching hardware torque values are also provided on the inside back cover.

In the exploded view parts list, Reference Numbers may have additional information following the Reference Number. A Tear Drop symbol will indicate an application of a "wet" product such as oil, and the number inside the Tear Drop will correspond to the description in the Parts List. Also, a number inside of a hexagon will be the torque value required, in foot pounds, on the associated Reference Number. Items shown in the parts list that do not have Reference Numbers are shown for reference purposes only and are NOT available for purchase.

Unless otherwise specified, all Cap Screws or Bolts are Grade 5, zinc plated; Hexagon Nuts for Grade 5 Screws or Bolts are Grade B; Hexagon Nuts for other Screws or Bolts are Grade A.

NOTE: *The following abbreviations may used herein:*

ASSD	– Assembled
ASSY	– Assembly
CB	– Carriage Bolt
CCW	– Counterclockwise

CP	– Cotter Pin
CS	– Cap Screw (Hexagon Head)
CTR	– Center
CW	– Clockwise
DEG	– Degree
DIA	– Diameter
FCS	– Flanged Cap Screw
FHMS	– Flat Head Machine Screw
FL	– Flanged
FLN	– Flanged Lock Nut (Hexagon)
FLS	– Flanged Lock Screw (Hexagon)
FW	– Flat Washer
GA	– Gauge
GR	– Grade
HD	– Hard or Head
HN	– Hex Nut
INCL	– Includes
JT	– Joint
LG	– Large
LH	– Left Hand
LW	– Lock Washer
LN	– Lock Nut
LW	– Lock Washer
M	– Metric
MM/mm	– Millimeter
NF	– National Fine
PB	– Plow Bolt
PTO	– Power Take Off
RH	– Right Hand
RHMS	– Round Head Machine Screw
RPM	– Revolutions Per Minute
RT	– Right
SERR	– Serrated
SHCS	– Socket Head Cap Screw
SHSS	– Socket Head Set Screw
SN	– Serial Number or Slotted Nut
SQ	– Square
T	– Tooth or Teeth
TFS	– Thread Forming Screw
THMS	– Truss Head Machine Screw
THRD	– Thread
WLDMT	– Weldment
#	– Number
()	– (Quantity Used Here)
	– Torque Required in foot pounds
	– Indicates a Fluid Application

TABLE OF CONTENTS

Introduction	Inside Front Cover
Table of Contents	1
Decal Locations	2-5
Hitchjack, Auger, Agitator, Wheel & Hubs	6-7
PTO & Driveline	8-9
Discharge Conveyor	10-11
Component Breakdowns	12-16
Universal Drive (After SN3950)	12
Universal Drive (After SN3650 & Before SN3951)	13
Universal Drive (Before SN3561)	14
Hitchjack (Fulton)	15
Hitchjack (Wesbar & Hammerblow)	16
Accessories	17-18
Safety Tow Chain	17
Transport Lights	18
Alphabetical Index	19
Numerical Index	20
Standard Hardware Torque specifications	Inside Back Cover

DECAL LOCATIONS

GENERAL INFORMATION

Decal Location information is provided to assist in the proper selection and application of new decals, in the event the original decal(s) become(s) damaged or the machine is repainted. Refer to the listing for the illustration reference number, part number, description and quantity of each decal provided in the Kit. Refer to the appropriate illustration(s) for replacement location(s).

NOTE: Refer to the *SAFETY Chapter of the Operator's Manual for the specific information provided on all of the various Safety Decals furnished in the Decal Kit(s).*

To ensure proper selection for correct replacement decal(s), compare all of the various close-up location photographs to your machine **BEFORE** starting to refinish the unit. Then, circle each pictured decal (applicable to your machine) while checking off its part number in the listing. After you have verified all the decals needed for replacement, set aside unneeded decals for disposal.

NEW DECAL APPLICATION

Surfaces **MUST** be free from dirt, dust, grease and other foreign material before applying the new decal. To apply a solid-formed decal, remove the smaller portion of the decal backing paper and apply this part of the exposed adhesive backing to the clean surface while maintaining proper position and alignment. Slowly peel off the other portion of the backing paper while applying hand pressure to smooth out the decal surface.



CAUTION

ALWAYS observe Safety Rules shown on Decals. If Decals become damaged, or if the unit is repainted, replace the Decals. If repainting **BE SURE** that **ALL** Decals, from the Kit(s) which apply to your machine, are affixed to your unit.

PAINT NOTICE

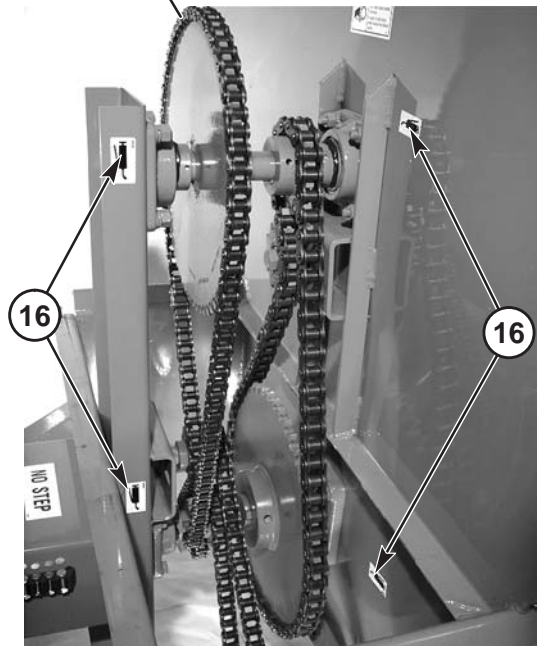
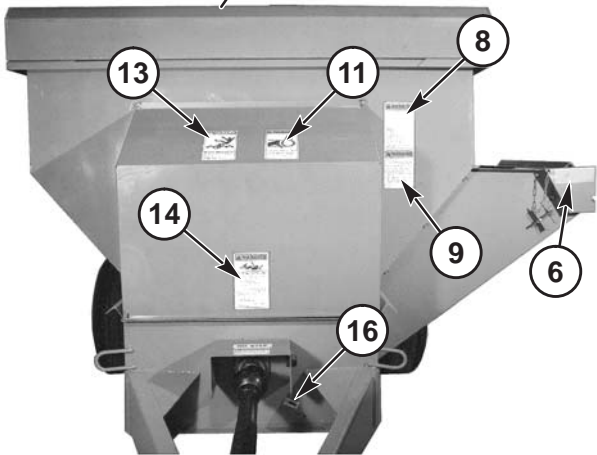
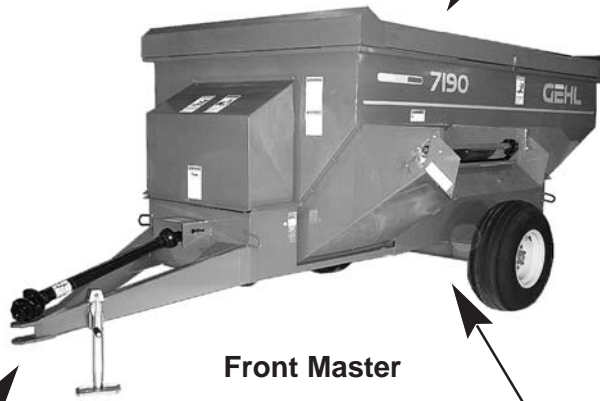
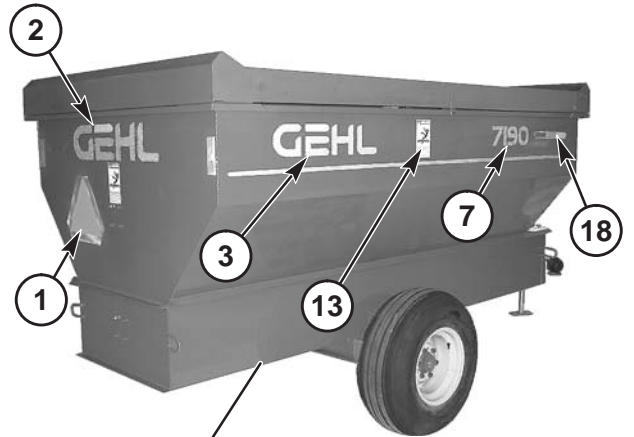
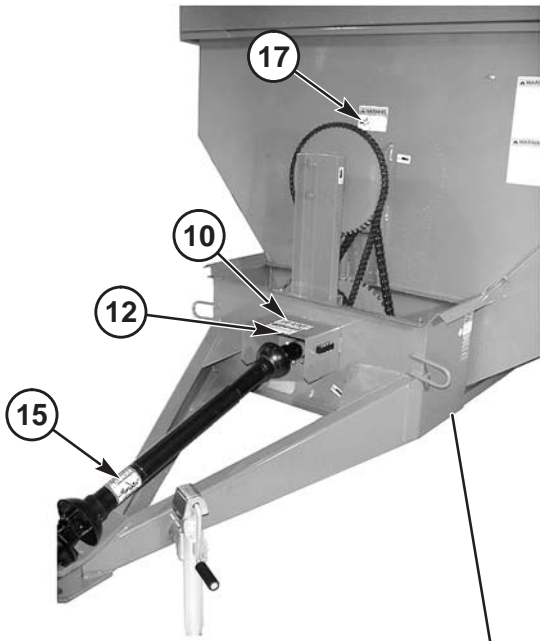
Use this list to order paint for refinishing:

906315	One Gal. AG Red
906324	One Qt. Light Grey
906316	6 (12 oz. Spray Cans) AG Red
906325	6 (12 oz. Spray Cans) Light Grey

The Decal Set Number for the F7190 is 113348. The Set includes the following:

Ref. No.	Part No.	Description & Quantity
1	047272	SMV
2	122617	Gehl
3	122736	Gehl (2 Places)
4	093489	WARNING – Pinch Point
5	067493	Red Reflector (3 Places)
6	067926	Amber Reflector
7	095039	7190 (2 Places)
8	093367	WARNING - Owner's Responsibility & Read Manual
9	093373	WARNING – General Safety
10	080247	NO Step
11	091438	WARNING – Chain Drive
12	093466	WARNING – 540 RPM Operation ONLY
13	091442	DANGER – Rotating Auger (4 Places)
14	093653	WARNING – Rotating Drive Line
15	091444	DANGER – Rotating Component
16	093020	Lubrication Symbol (5 Places)
17	091450	DANGER – Shield Missing
18	094963	Colorbar (2 Places)

NOTE: Order adequate numbers of Part #126757 for 10 ft. rolls of replacement Striping. Two pieces are required for the Feeder Wagon.



NOTE: *This list is a repeat of the Decal List on a previous page and is provided for your convenience when selecting Decals from the second page of photographs.*

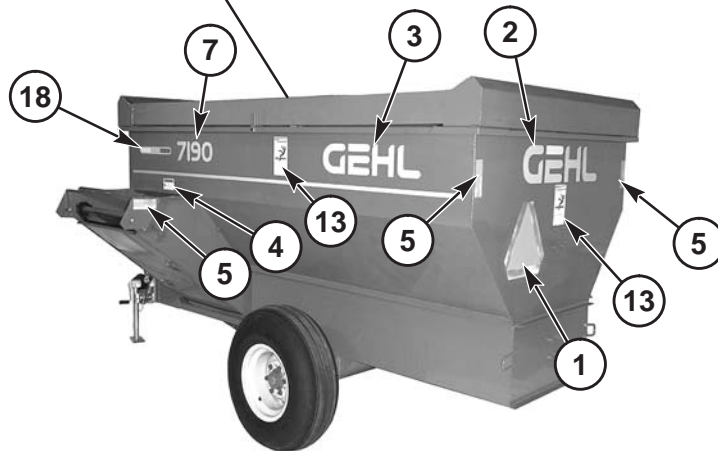
Ref. No.	Part No.	Description & Quantity
1	047272	SMV
2	122617	Gehl
3	122736	Gehl (2 Places)
4	093489	WARNING – Pinch Point
5	067493	Red Reflector (3 Places)
6	067926	Amber Reflector
7	095039	7190 (2 Places)
8	093367	WARNING - Owner's Responsibility & Read Manual

9	093373	WARNING – General Safety
10	080247	NO Step
11	091438	WARNING – Chain Drive
12	093466	WARNING – 540 RPM Operation ONLY
13	091442	DANGER – Rotating Auger (4 Places)
14	093653	WARNING – Rotating Drive Line
15	091444	DANGER – Rotating Component
16	093020	Lubrication Symbol (5 Places)
17	091450	DANGER – Shield Missing
18	094963	Colorbar (2 Places)

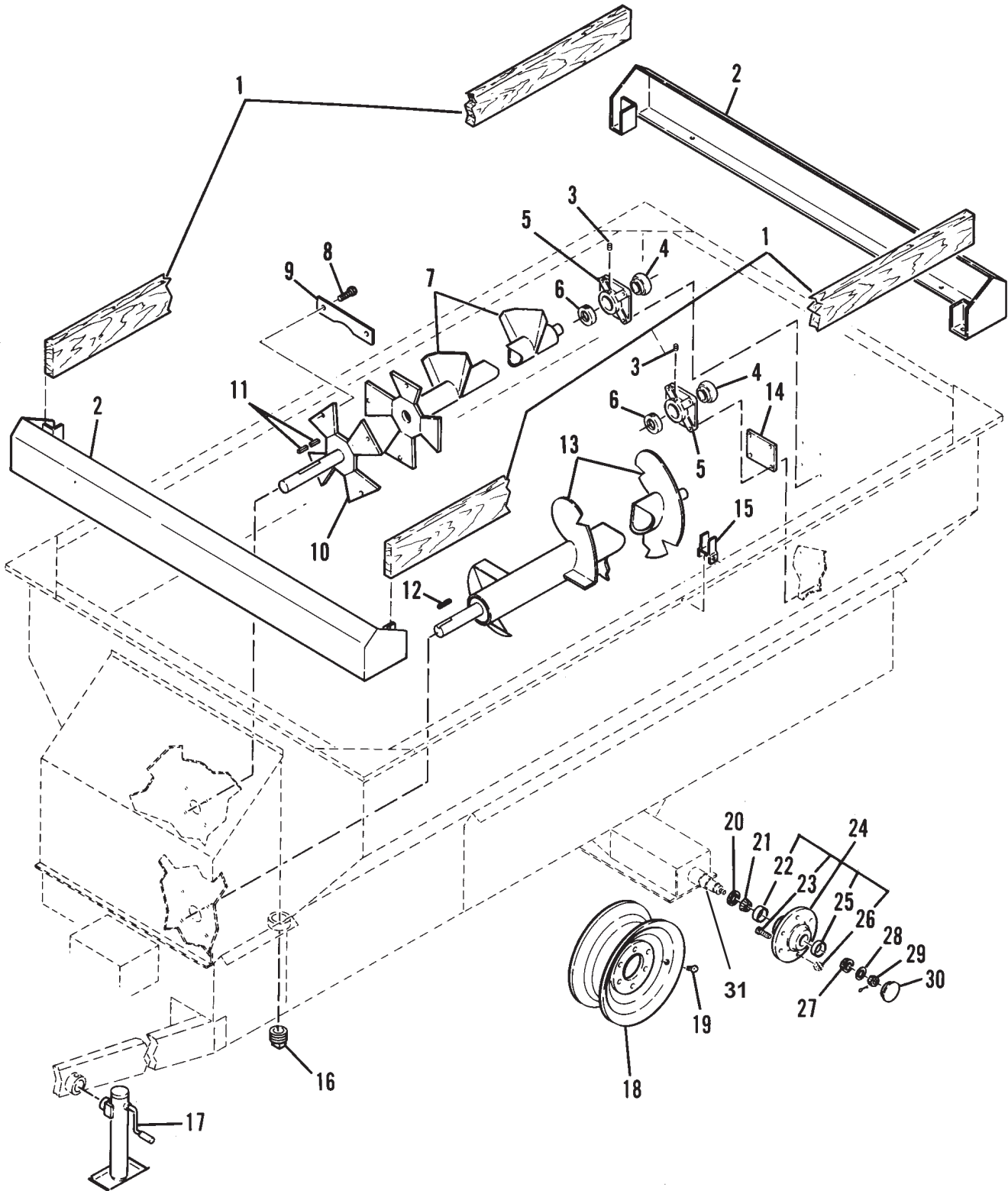
NOTE: *Order adequate numbers of Part #126757 for 10 ft. rolls of replacement Striping. Two pieces are required for the Feeder Wagon.*



Rear Master



F7190 - HITCHJACK, AUGER, AGITATOR, WHEELS & HUBS

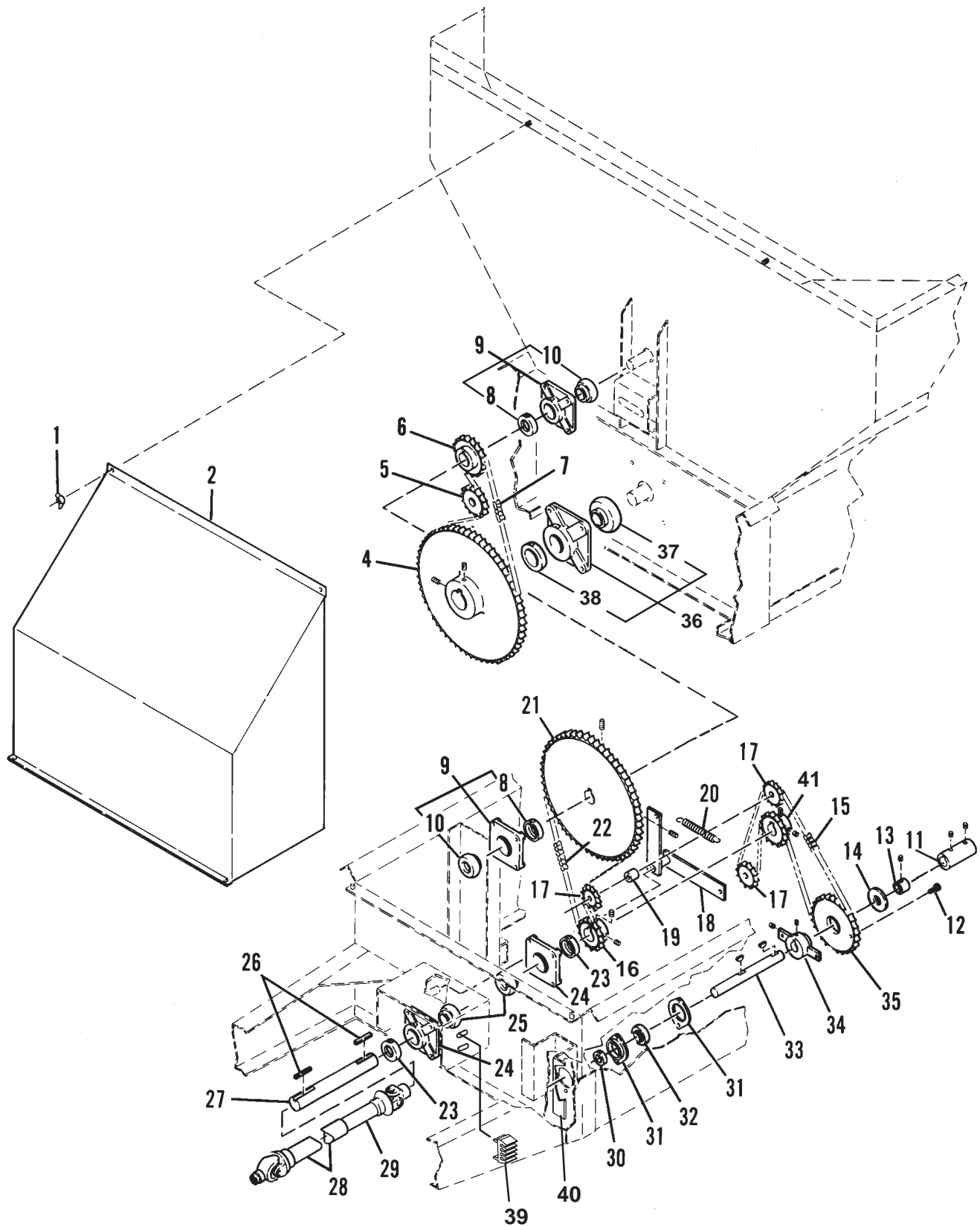


F7190 - HITCHJACK, AUGER, AGITATOR, WHEELS & HUBS

Ref. No.	Part No.	Description	Qty. Req.	Ref. No.	Part No.	Description	Qty. Req.
01	091995	SIDE RAIL	2	19	045581	STEM/VALVE	2
02	091993	EXTENSION – END RAIL	2	20	092048	SEAL/GREASE	2
	650490	CS 3/8X1 (N,L,P)	8			(AFTER SN3900 & 3690 TO 3699 INCLUSIVE)	
03	650338	SHSS 1/4X1/4	2	042164	SEAL/GREASE (BEFORE SN3901	2	
04	520066	BEARING/BALL	2			& AFTER 3699, BEFORE SN3690)	
05	R13062 _a	HOUSING/BEARING	2	21	042163	CONE/WHEEL BRNG – INNER	2
	650453	CS 1/2X1–1/2 (N,L)	8	22	042162	CUP/WHEEL BEARING – INNER	2
06	520153	COLLAR/BEARING	2	23	120822	BOLT/WHEEL	12
07	091991 _e	AGITATOR	1	24	091870 _c	HUB ASSEMBLY/WHEEL	2
08	071381	SCREW 3/8X1–1/2 FULL THD (N,L)	4	25	520054	CUP/BEARING – OUTER	2
09	091988	LOCKING STRAP	2	26	046001	NUT/WHEEL	12
10	091986	SHAFT – AGITATOR	1	27	520201	CONE/BEARING – OUTER	2
11	056230	KEY 3/8 SQ X 2 (HARD)	2	28	654015	FW 7/8	2
12	099207	KEY 1/2 SQ X 2 (HARD)	1	29	653102	NUT/SLOTTED 7/8NF	2
13	091987 _d	AUGER LOWER	1		655024	PIN/COTTER 3/16X2	2
14	091967	PLATE–AUGER BACK	1	30	076586	CAP/DUST	2
15	091948	SIDE CLIP	2	31	111502	SPINDLE 2.125 X 15.25 (WELD–IN)	2
	650488	CS 3/8X3/4 (N,L,P)	4				
16	660007	PLUG/PIPE 2.00	1				
17	143468 _b	JACK ASSY (LATE STYLE)	1				
	071119 _b	JACK ASSY (EARLY STYLE)	1				
18	112442	WHEEL/15 X 10 LB	2				
		(FOR 12.5I X 15, 8–PLY TIRE)					
	094462	WHEEL/W8L–16 (RIBBED IMPLEMENT . 2					
		ON 16" TRUCK CARCASS, 10–PLY)					

- a) For replacement, order also Pipe Plug 660001.
- b) For repair, see Components pages titled Hitchjack.
- c) For replacement, also order Seal 092048.
- d) The following (weld–in) Auger components are available:
 099072 Auger Paddle Support (4 used per Auger),
 099079 Auger Bottom Gusset (7 used per Auger),
 099081 3/8 RH Section Flight (1/2 used per Auger),
 099082 3/8 LH Section Flight (6 used per Auger).
- e) The following (weld–in) Agitator component is available:
 111659 Agitator Paddle (10 used per Agitator).

F7190 - PTO & DRIVE LINE



F7190 - PTO & DRIVE LINE

Ref. No.	Part No.	Description	Qty. Req.	Ref. No.	Part No.	Description	Qty. Req.
01	065389	NUT/WING 5/16	2	22	110453	CHAIN (#60) OF 100 LINKS	1
02	091989	SHIELD FRONT	1		500160	COUPLER/PLAIN (AFTER SN3700)	1
04	091909	SPROCKET 48T (BOTTOM AUGER)	1		092003	CHAIN (#60) OF 92 LINKS	1
	650224	SHSS-CP 1/2X3/4	2		500160	COUPLER/PLAIN (BEFORE SN3701)	1
05	091918	SPROCKET IDLER 12T	1	23	520153	COLLAR/BEARING	2
	091996	CS 3/4-10X2-1/2 (N, LN, 2P)	1	24	R13062 _b	HOUSING/BEARING	2
06	091910	SPROCKET 13T	1		570014	FITTING/GREASE	2
	650214	SHSS-CP 3/8X1/2	2		650744	CS 1/2X4 (N, L)	8
07	110246	CHAIN (#80) OF 78 LINKS	1	25	069387	BEARING/BALL	2
	500195	COUPLER/PLAIN (AFTER SN3700)	1	26	009477	KEY 5/16 SQ. X 2-1/2	2
	092002	CHAIN (#80) OF 70 LINKS	1	27	091964	SHAFT-INPUT	1
	500195	COUPLER/PLAIN (BEFORE SN3701)	1	28	093574 _{cd}	PTO SHAFT FRONT HALF	1
08	076082	COLLAR/BEARING	2		092786 _{ce}	PTO SHAFT FRONT HALF	1
09	091912	FLANGE/BEARING ASSY	2		091998 _{cf}	PTO SHAFT FRONT HALF	1
	570014	FITTING/GREASE	2	29	093575 _{cd}	PTO SHAFT REAR HALF	1
	650453	CS 1/2X1-1/2 (N, L)	8		092787 _{ce}	PTO SHAFT REAR HALF	1
10	083666	BEARING/BALL	2		091999 _{cf}	PTO SHAFT REAR HALF	1
11	091908	COUPLER-SHAFT	1	30	520084	BEARING LOCK COLLAR	1
	650201	SHSS 5/16X5/16	2	31	083443	RETAINER/BEARING	2
12	061708 _a	SHEAR BOLT 1/4X1 GR 2 (LN)	2		650486	CS 5/16X3/4 (N, L)	2
13	091922	SET COLLAR	1	32	520063	BEARING/BALL	1
14	654016	FW 1	1	33	091966	SHAFT-CONVEYOR DRIVE	1
15	092004	CHAIN (#60) OF 88 LINKS	1		650513	KEY WOODRUFF 1/4X1	2
	500160	COUPLER/PLAIN	1	34	091969	SHEAR HUB	1
16	092932	SPROCKET/12T	1		650214	SHSS-CP 3/8X1/2	2
	650214	SHSS-CP 3/8X1/2 (AFTER SN3700)	2	35	091968	SPROCKET-SHEAR CONVEYOR	1
	091906	SPROCKET 15T	1	36	091913	FLANGE/BEARING ASSY	1
	650214	SHSS-CP 3/8X1/2 (BEFORE SN3701)	2	37	091914	BEARING/BALL	1
17	091902	SPROCKET IDLER 13T	3	38	089867	COLLAR/BEARING	1
	650631	CS 5/8X4 (N, LN, 5P)	1	39	059272	HOLDER/SHEAR BOLT	1
	092001	CS 5/8X2-1/2 (2N, L)	1	40	091985	BRACKET/MTG CONVEYOR DRV	1
18	091965	TIGHTENER - SPRING	1	41	091906	SPROCKET 15T	1
19	091984	SPACER - TIGHTENER	1		650214	SHSS-CP 3/8X1/2	2
20	091920	SPRING/EXTENSION	1		092799	SPROCKET 18T (OPTIONAL)	1
21	091911	SPROCKET 60T (TOP AUGER)	1		650214	SHSS-CP 3/8X1/2	2
	650214	SHSS-CP 3/8X1/2	2				

a) For Shear Bolt Kit, order 900091 which contains 8 Bolts & Locknuts.

b) For replacement, order also Grease Fitting 570002.

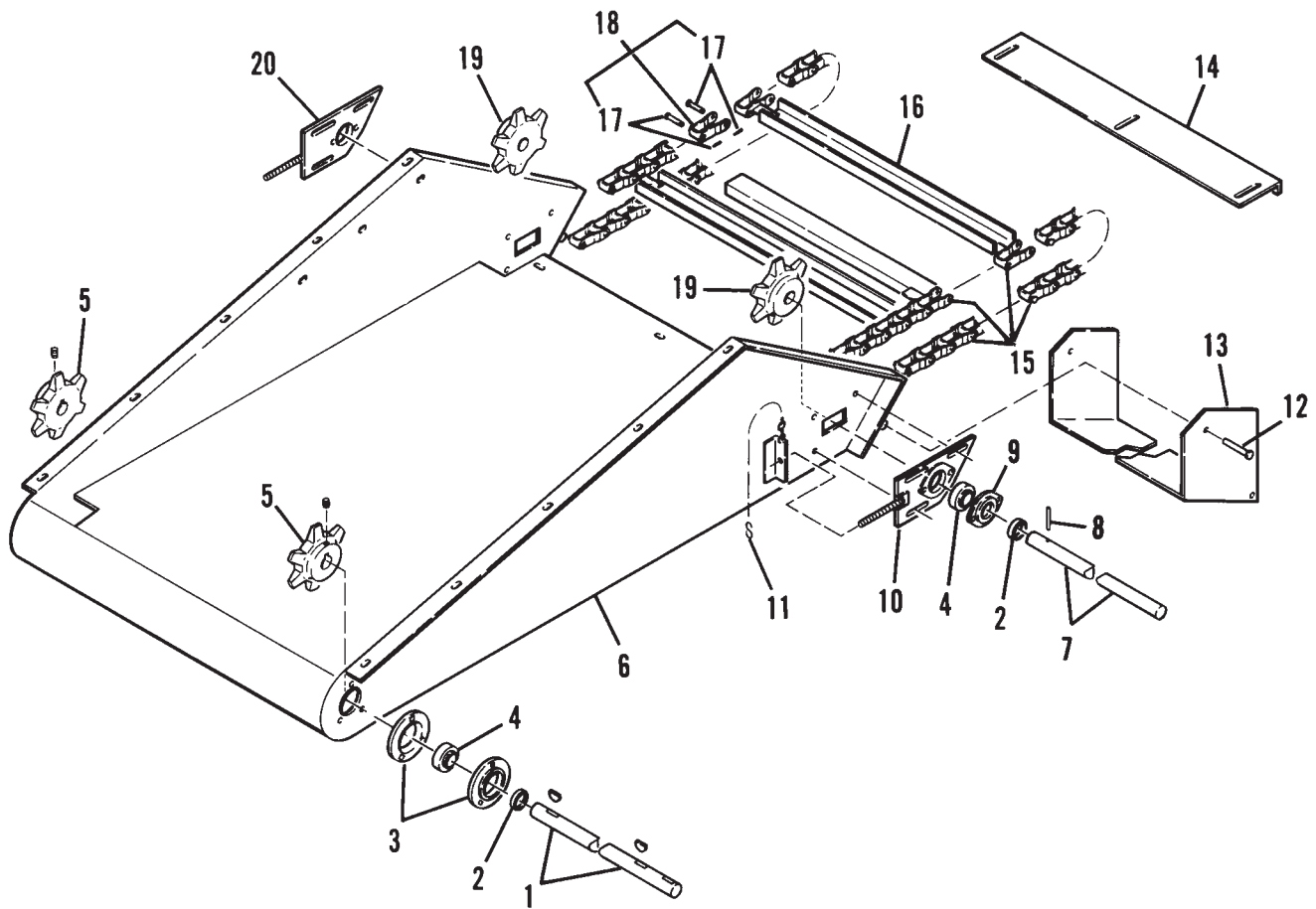
c) For components, see pages titled Universal Drive.

d) After SN3950

e) After SN3650 & Before SN3951

f) Before SN3561

F7190 - DISCHARGE CONVEYOR

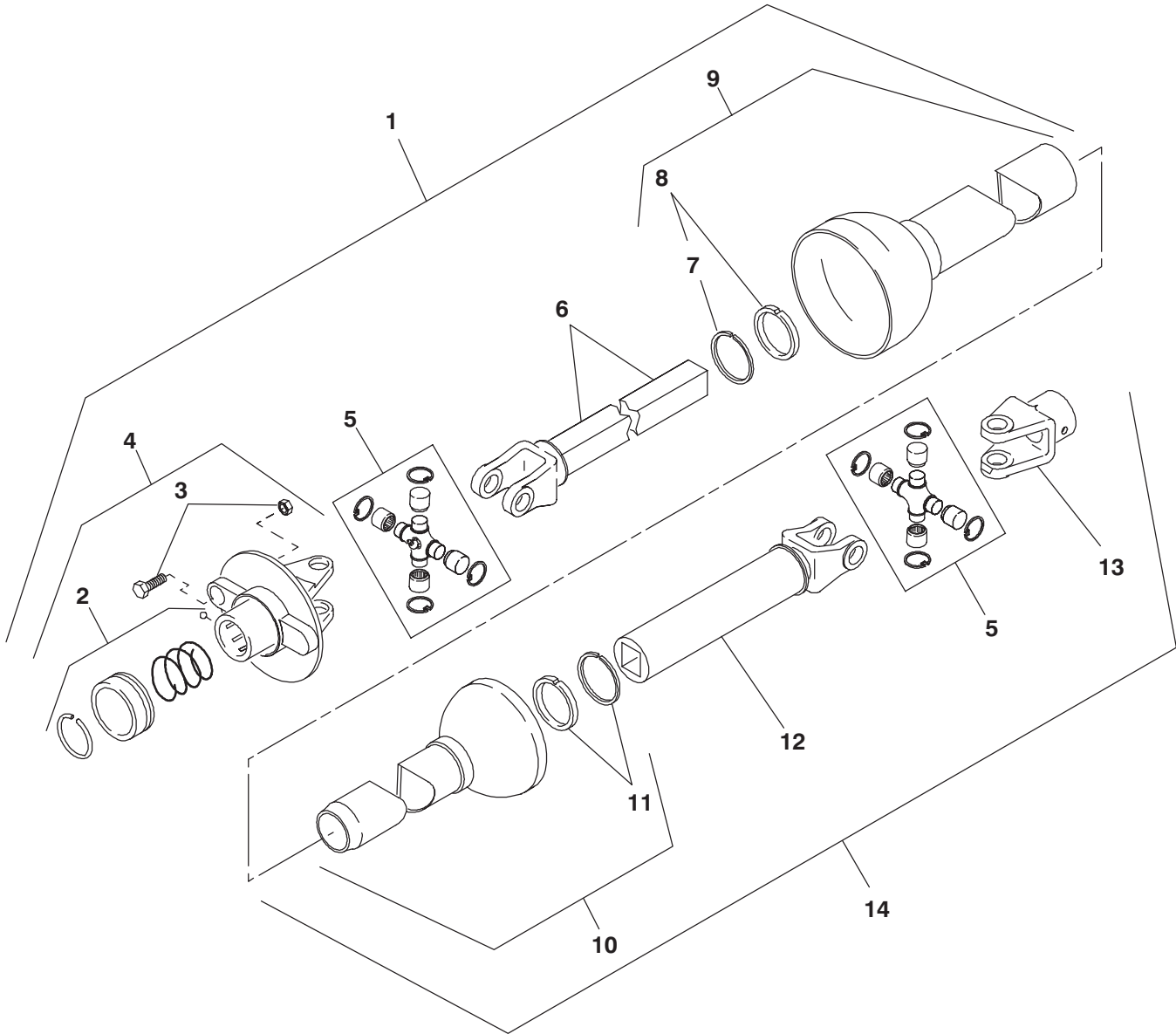


F7190 - DISCHARGE CONVEYOR

Ref. No.	Part No.	Description	Qty. Req.	Ref. No.	Part No.	Description	Qty. Req.
01	091975	SHAFT-LOWER CONVEYOR	1	12	650493	CS 3/8X2-3/4 (P,N)(LATE STYLE)	2
	650513	KEY WOODRUFF 1/4 X 1	2		091980	PIVOT PIN	2
02	520084	COLLAR/BEARING	4		650551	PIN COTTER 3/32X3/4 (EARLY STYLE)	2
03	H273	RETAINER/BEARING (6N, 6L 5/16)	4	13	091981	DEFLECTOR CONVEYOR	1
04	520063	BRG BALL	4	14	091982	PAN EXTENSION-CONVEYOR	1
05	091979	SPROCKET-CONVEYOR BOTTOM	2		650790	CB 3/8X3/4 (N,L,P)	3
	650197	SHSS 1/4X3/8	2	15	091976	CHAIN ELEVATOR ASSY	1
06	091983	CONVEYOR	1	16	092047	APRON SLAT WITH COUPLER PINS & COTTER PINS	9
	650487	CS 5/16X1 (N,L,P)	10	17	900990 _a	PIN/COUPLER	AR
07	091974	SHAFT-UPPER CONVEYOR	1	18	500034	LINK/PINTLE CHAIN & COTTER PINS	1
08	065054	PIN/SPRING 1/4 X 2	1	19	091973	SPROCKET 6T	2
09	083443	BEARING/RETAINER	2	20	091971	REAR TAKE-UP (3N,3L,3P 1/4)(2N 3/8)	1
	650687	CB 5/16X3/4 (N,L)	4				
10	091972	FRONT TAKE-UP (3N,3L,3P 1/4)(2N 3/8)	1				
11	091919	S-HOOK	1				

a) Consists of Coupler Pin and Cotter Pin.

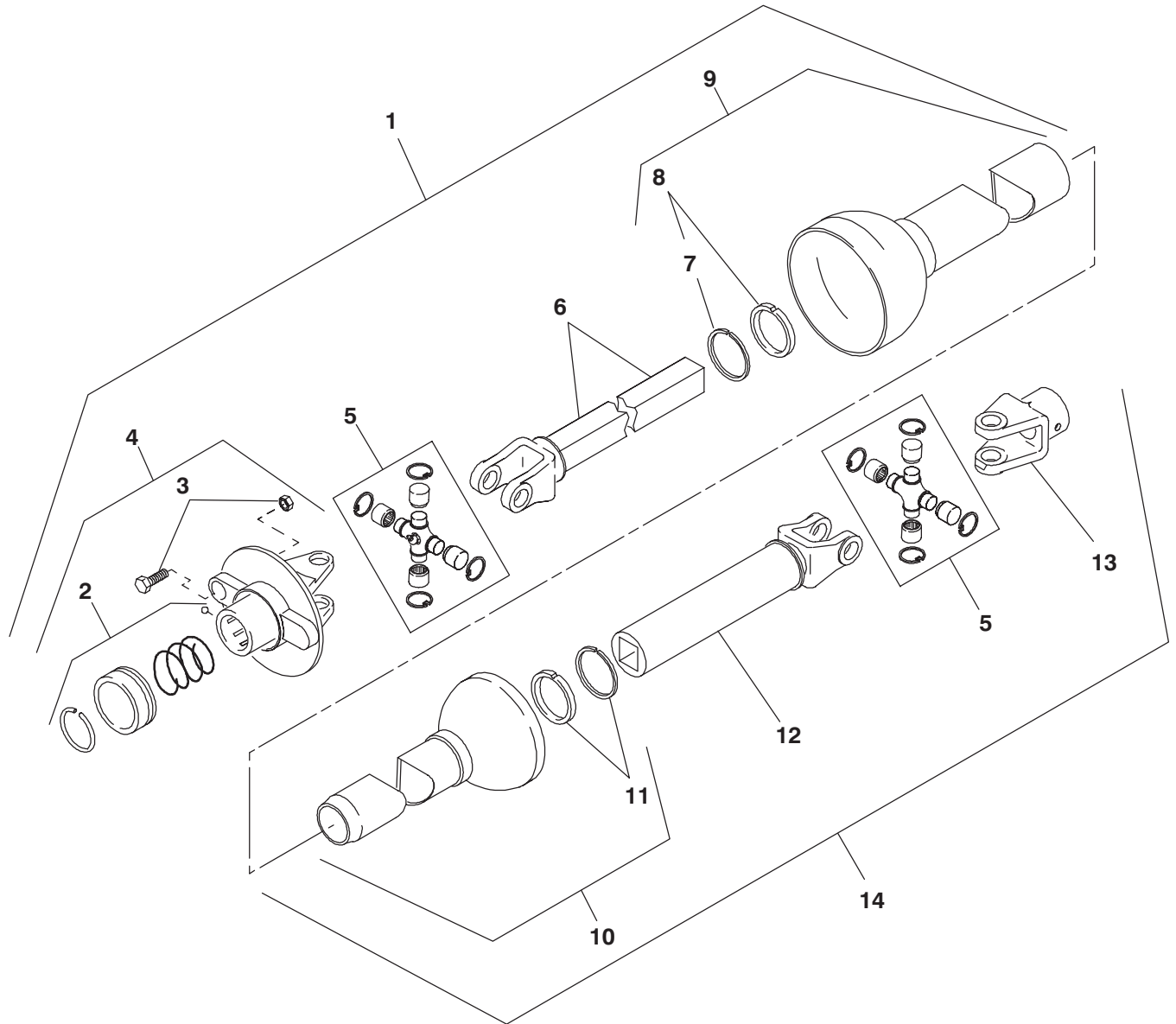
F7190 - UNIVERSAL DRIVE (AFTER SN3950)



Ref. No.	Part No.	Description	Qty. Req.	Ref. No.	Part No.	Description	Qty. Req.
01	093574	PTO SHAFT FRONT HALF	1	08	095128	KIT/REPAIR	1
02	086925	KIT/SPRING LOCK REPAIR	1	09	093576	GUARD/OUTER (FRONT)	1
03	902422 _a	BOLT/SHEAR 8-PACK	1	10	093577	GUARD/INNER (REAR)	1
04	092722	YOKE/BALL SHEAR ASSY	1	11	095133	KIT/REPAIR	1
05	005870	KIT/CROSS	2	12	093579	YOKE & TUBE	1
	570009	FITTING/GREASE	2	13	099237	YOKE/IMPLEMENT END	1
06	093578	YOKE & SHAFT	1	14	093575	PTO SHAFT REAR HALF	1
07	510100	RETAINER/BEARING	1				

a) Shear Bolt Kit contains 8 Shear Bolts and 8 Lock Nuts.

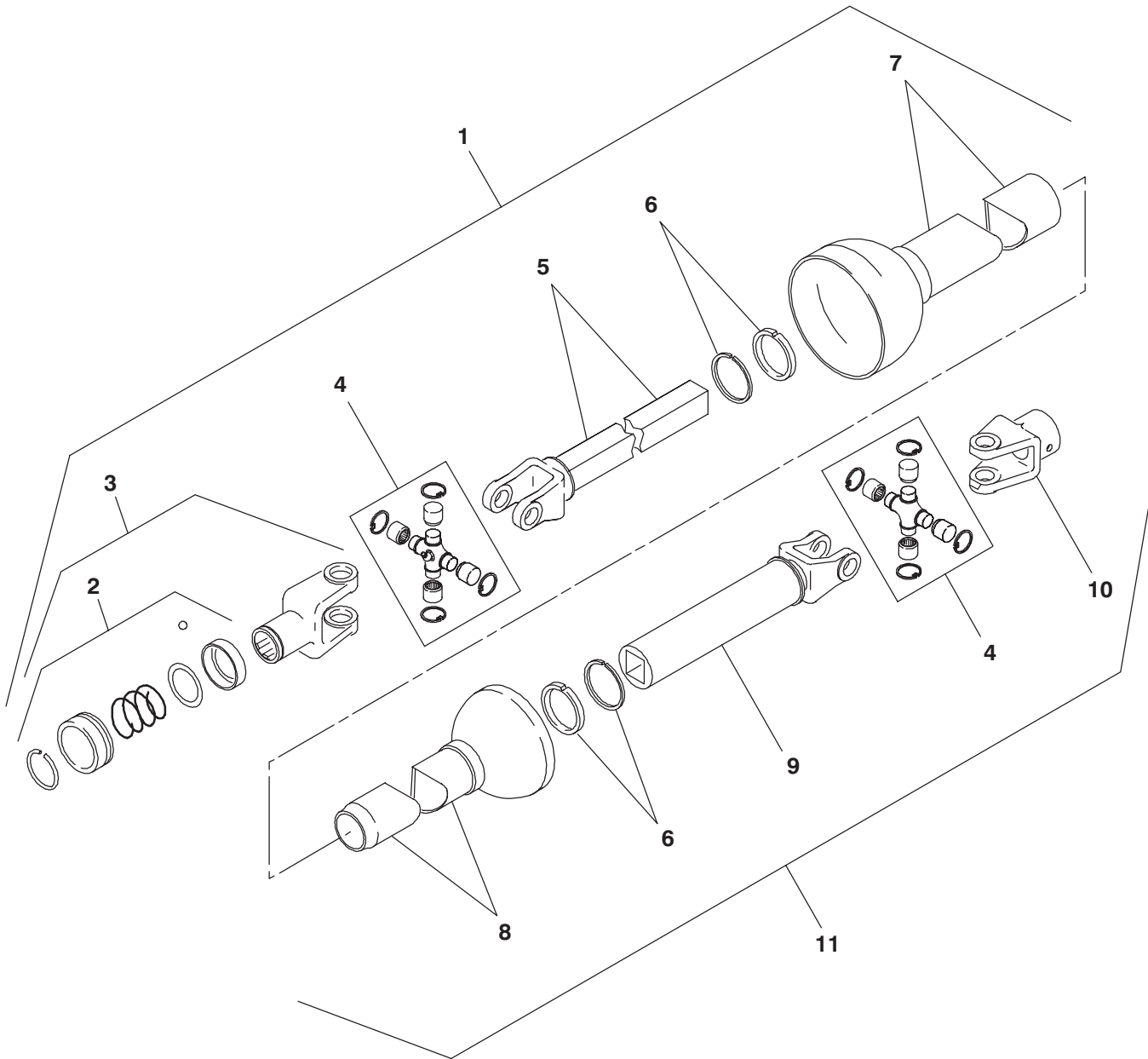
F7190 - UNIVERSAL DRIVE (AFTER SN3560 & BEFORE SN3951)



Ref. No.	Part No.	Description	Qty. Req.	Ref. No.	Part No.	Description	Qty. Req.
01	092786 _b	PTO SHAFT FRONT HALF	1	09	092699 _b	GUARD/OUTER (FRONT)	1
02	086925	KIT/SPRING LOCK REPAIR	1	10	092054	GUARD/INNER (REAR)	1
03	902422 _a	BOLT/SHEAR 8-PACK	1	11	095133	KIT/REPAIR	1
04	092722	YOKE/BALL SHEAR ASSY	1	12	092056	YOKE & TUBE ASSY	1
05	005870	KIT/CROSS	2	13	099237	YOKE/IMPLEMENT END	1
	570009	FITTING/GREASE	2	14	092787	PTO SHAFT REAR HALF	1
06	092057	YOKE & SHAFT ASSY	1				
07	510100	RETAINER/BEARING	1				
08	095128	KIT/REPAIR	1				

a) Shear Bolt Kit contains 8 Shear Bolts and 8 Lock Nuts.
 b) Includes 091444 Danger Decal.

F7190 - UNIVERSAL DRIVE (BEFORE SN3561)

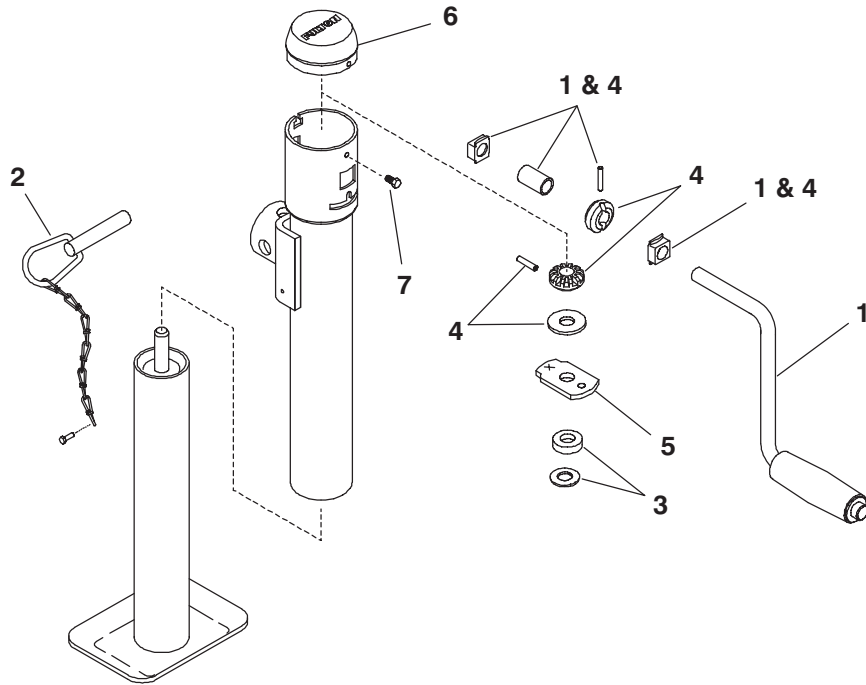


Ref. No.	Part No.	Description	Qty. Req.	Ref. No.	Part No.	Description	Qty. Req.
01	091998 _a	SHAFT/ASSY TRACTOR END	1	07	092055 _b	GUARD/OUTER	1
02	086925	KIT/SPRING LOCK REPAIR	1	08	092054 _b	GUARD/INNER	1
03	092052	YOKE/SPRING LOCK ASSY	1	09	092056	YOKE & TUBE ASSY	1
04	005870	KIT/CROSS	2	10	092053	YOKE/OUTBOARD	1
	570009	FITTING/GREASE	2	11	091999	SHAFT/ASSY IMPLEMENT END	1
05	092057	YOKE & SHAFT ASSY	1				
06	095133	KIT/REPAIR	2				

a) For complete repair order 092786.
b) Includes one Bearing Retainer.

F7190 - COMPONENTS, HITCHJACK (LATE STYLE)

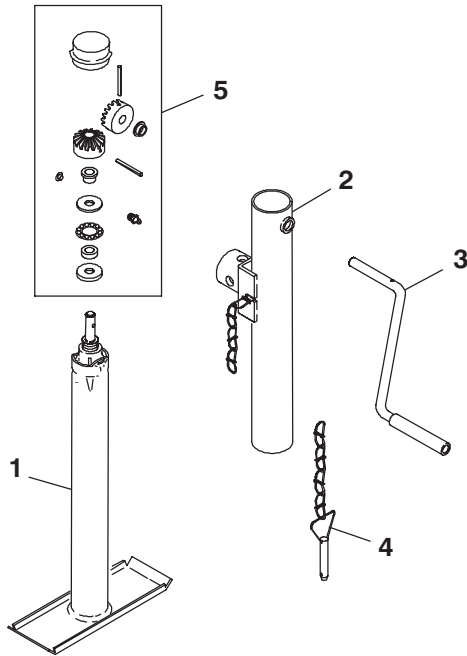
Hitchjack - Fulton



Ref. No.	Part No.	Description	Qty. Req.	Ref. No.	Part No.	Description	Qty. Req.
	143468	HITCHJACK - FULTON	1	04	143602	KIT/GEAR	1
		CONSISTS OF:		05	143600	SUPPORT/PLATE	1
01	143597	KIT/JACK HANDLE	1	06	143598	CAP/TUBE	1
02	143601	KIT/PIN & CHAIN	1	07	113026	TFS #8-32X3/8	1
03	143610	KIT/BEARING	1				

F7190 - COMPONENTS, HITCHJACK (EARLY STYLE)

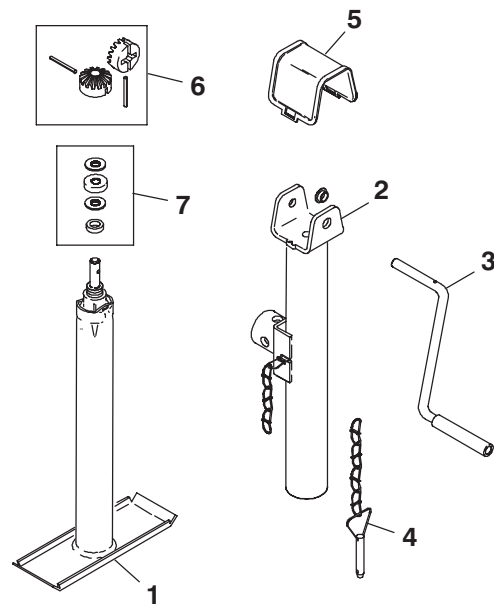
HAMMERBLOW HITCHJACK



Ref. No.	Part No.	Description	Qty. Req.
	071119	HITCHJACK - HAMMERBLOW	1
		CONSISTS OF:	
01	061293	TUBE/JACK - INNER	1
02	061294	TUBE/JACK - OUTER	1
03	061295	CRANK/JACK	1
04	061276	PIN & CHAIN	1
05	071272	KIT/SW FINAL	1

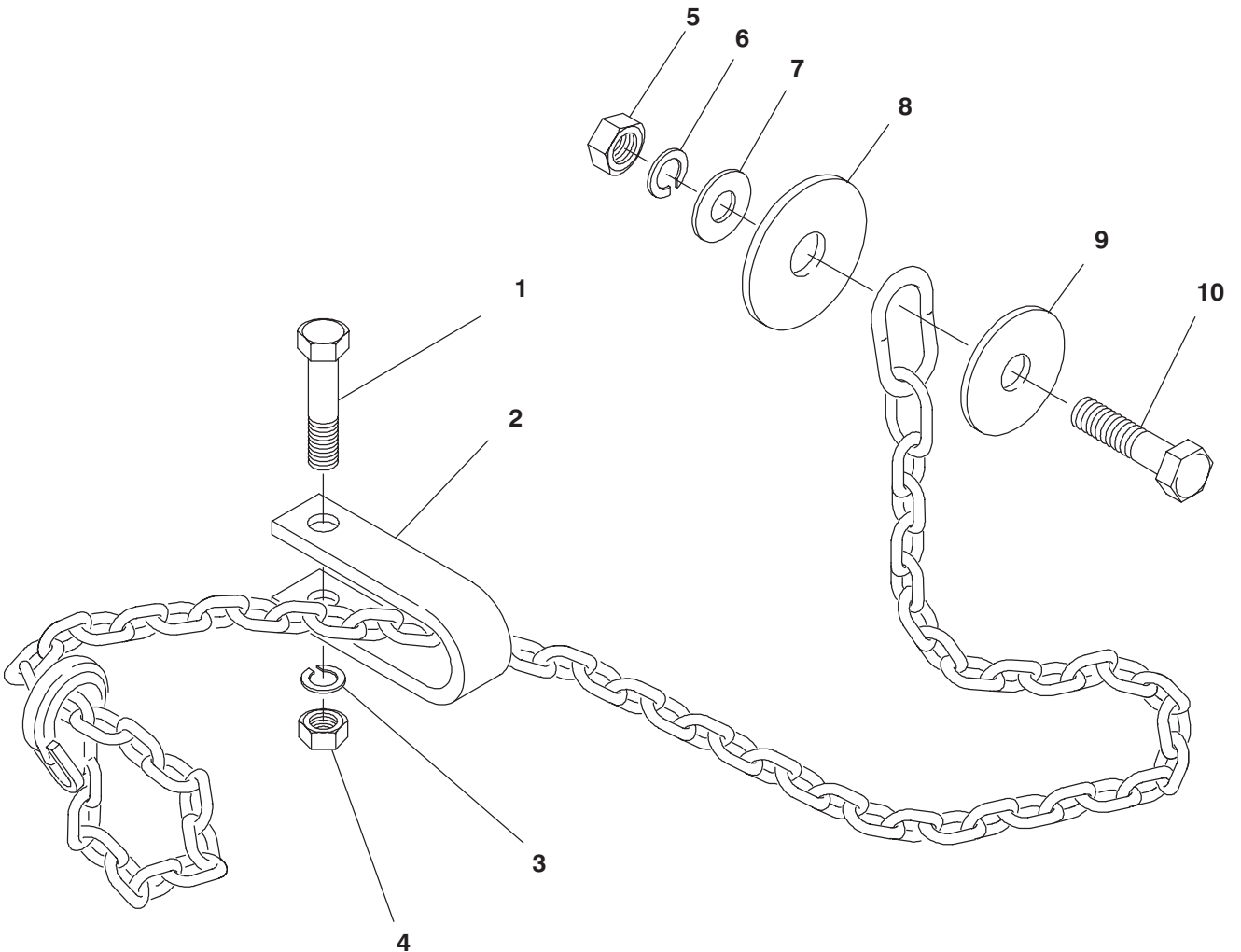
WESBAR HITCHJACK

Ref. No.	Part No.	Description	Qty. Req.
	071119	HITCHJACK - WESBAR	1
		CONSISTS OF:	
01	077840	TUBE/JACK - INNER	1
02	077841	TUBE/JACK - OUTER	1
03	126735	CRANK/JACK	1
04	061276	PIN & CHAIN	1
05	077838	CAP/TOP	1
06	077836	KIT/GEAR	1
07	094283	KIT/INTERNAL PARTS	1



F7190 - ACCESSORIES – SAFETY CHAIN

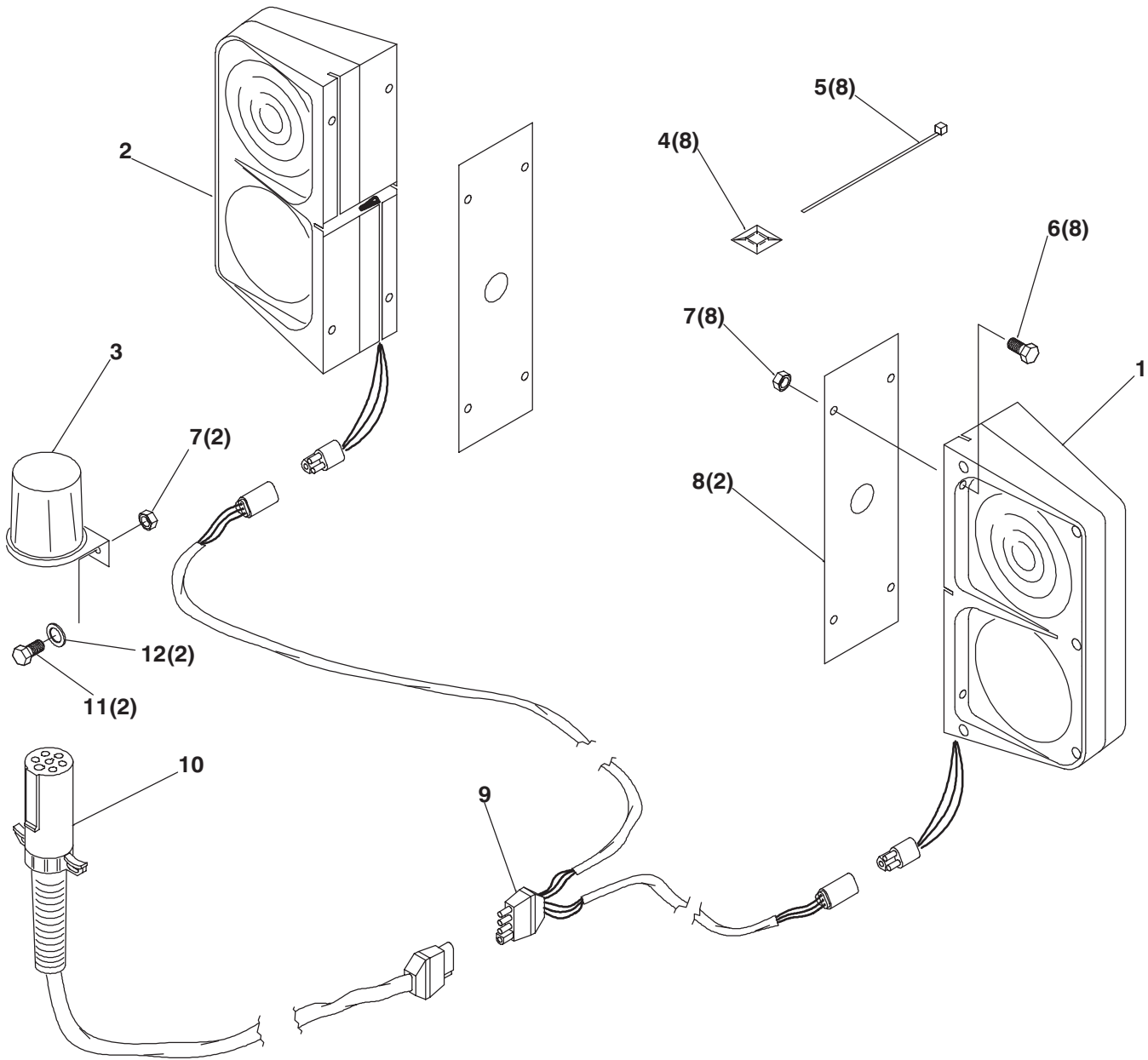
Safety Chain – 10 Ton



Ref. No.	Part No.	Description	Qty. Req.	Ref. No.	Part No.	Description	Qty. Req.
	142966	CHAIN/SAFETY TOW 10 TON	1	05	653026	HN 3/4	1
		CONSISTS OF:		06	654034	LW 3/4	1
01	650695	CS 5/8X3-1/2	1	07	654014	FW 3/4	1
02	080894	CLEVIS	1	08	043912	FW 1-1/32 SPECIAL	1
03	654032	LW 5/8	1	09	069076	FW 25/32	1
04	653021	HN 5/8	1	10	650172	CS 3/4X3-1/4	1

F7190 - ACCESSORIES – TRANSPORT LIGHTS

Transport Lights



Ref. No.	Part No.	Description	Qty. Req.	Ref. No.	Part No.	Description	Qty. Req.
	152226	LIGHTS/TRANSPORT	1	07	071401	NILN 1/4	10
		CONSISTS OF:		08	112706	SUPPORT/LIGHT	2
01	112884	LIGHT/TRANSPORT LT	1	09	113252	HARNESS/"Y", 17' LT & 17' RT	1
02	112885	LIGHT/TRANSPORT RT	1	10	112888 _a	HARNESS/PRIMARY	1
03	112886	HOLDER	1	11	650663	CS 1/4X5/8	2
04	125946	BASE/MOUNTING	8	12	650863	FW 1/4	2
05	055648	TIE/WIRE	8				
06	650426	CS 1/4X1-1/4 (NILN)	8				

a) For repair of 7-Pin Plug with Cable Protector, used 112917.

Index

A

Abbreviations List, 2
Agitator, 6
Auger, 6
Auger Drive, 8

C

Components, Universal Drive
 After SN3950, 12
 After SN3560 & Before SN3951, 13
 Before SN3561, 14
Conveyor Drive, 8

D

Decal Locations, 2–4
Decals
 Application, 2
 Set numbers, 2
Discharge Conveyor, 10

H

Hitchjack, 6
 Fulton, 15

Hammerblow, 16
Wesbar, 16

I

Introduction, Inside Front Cover

P

Paint Notice, 2
PTO, 8

S

Safety Chain – 10 Ton, 17–18

T

Table of Contents, 1
Torque Chart, Inside Back Cover
Transport Lights, 18–19

W

Wheel Hubs, 6
Wheels, 6

F7190 - NUMERICAL INDEX

Part No.	Page No.	Ref. No.	Part No.	Page No.	Ref. No.	Part No.	Page No.	Ref. No.	Part No.	Page No.	Ref. No.
H273	11	03	091870	07	24	091999	14	11	099237	13	13
R13062	07	05	091902	09	17	092001	09	17	110246	09	07
R13062	09	24	091906	09	16	092002	09	07	110453	09	22
005870	12	05	091906	09	41	092003	09	22	111502	07	31
005870	13	05	091908	09	11	092004	09	15	111659	07	e
005870	14	04	091909	09	04	092047	11	16	112442	07	18
009477	09	26	091910	09	06	092048	07	20	112706	18	08
042162	07	22	091911	09	21	092052	14	03	112884	18	01
042163	07	21	091912	09	09	092053	14	10	112885	18	02
042164	07	20	091913	09	36	092054	13	10	112886	18	03
043912	17	08	091914	09	37	092054	14	08	112888	18	10
045581	07	19	091918	09	05	092055	14	07	112917	18	a
046001	07	26	091919	11	11	092056	13	12	113026	15	07
055648	18	05	091920	09	20	092056	14	09	113252	18	09
056230	07	11	091922	09	13	092057	13	06	120822	07	23
059272	09	39	091948	07	15	092057	14	05	125946	18	04
061276	16	04	091964	09	27	092699	13	09	126735	16	03
061276	16	04	091965	09	18	092722	12	04	142966	17	00
061293	16	01	091966	09	33	092722	13	04	143468	07	17
061294	16	02	091967	07	14	092786	09	28	143468	15	00
061295	16	03	091968	09	35	092786	13	01	143597	15	01
061708	09	12	091969	09	34	092787	09	29	143598	15	06
065054	11	08	091971	11	20	092787	13	14	143600	15	05
065389	09	01	091972	11	10	092799	09	41	143601	15	02
069076	17	09	091973	11	19	092932	09	16	143602	15	04
069387	09	25	091974	11	07	093574	09	28	143610	15	03
071119	07	17	091975	11	01	093574	12	01	152226	18	00
071119	16	00	091976	11	15	093575	09	29	500034	11	18
071119	16	00	091979	11	05	093575	12	14	500160	09	15
071272	16	05	091980	11	12	093576	12	09	500160	09	22
071381	07	08	091981	11	13	093577	12	10	500195	09	07
071401	18	07	091982	11	14	093578	12	06	510100	12	07
076082	09	08	091983	11	06	093579	12	12	510100	13	07
076586	07	30	091984	09	19	094283	16	07	520054	07	25
077836	16	06	091985	09	40	094462	07	18	520063	09	32
077838	16	05	091986	07	10	095128	12	08	520063	11	04
077840	16	01	091987	07	13	095128	13	08	520066	07	04
077841	16	02	091988	07	09	095133	12	11	520084	09	30
080894	17	02	091989	09	02	095133	13	11	520084	11	02
083443	09	31	091991	07	07	095133	14	06	520153	07	06
083443	11	09	091993	07	02	099072	07	d	520153	09	23
083666	09	10	091995	07	01	099079	07	d	520201	07	27
086925	12	02	091996	09	05	099081	07	d	570009	12	05
086925	13	02	091998	09	28	099082	07	d	570009	13	05
086925	14	02	091998	14	01	099207	07	12	570009	14	04
089867	09	38	091999	09	29	099237	12	13	570014	09	09
									570014	09	24

F7190 - NUMERICAL INDEX




Part No.	Page No.	Ref. No.	Part No.	Page No.	Ref. No.	Part No.	Page No.	Ref. No.	Part No.	Page No.	Ref. No.
650172	17	10	650426	18	06	650631	09	17	654015	07	28
650197	11	05	650453	07	05	650663	18	11	654016	09	14
650201	09	11	650453	09	09	650687	11	09	654032	17	03
650214	09	06	650486	09	31	650695	17	01	654034	17	06
650214	09	16	650487	11	06	650744	09	24	655024	07	29
650214	09	16	650488	07	15	650790	11	14	660007	07	16
650214	09	21	650490	07	02	650863	18	12	900091	09	a
650214	09	34	650493	11	12	653021	17	04	900990	11	17
650214	09	41	650513	09	33	653026	17	05	902422	12	03
650224	09	04	650513	11	01	653102	07	29			
650338	07	03	650551	11	12	654014	17	07	902422	13	03

Notes

TORQUE SPECIFICATIONS

NOTE: Use these torque values when tightening **GEHL** hardware (excluding: Locknuts and Self-tapping, Thread Forming and Sheet Metal Screws) unless specified otherwise.

All torque values are in Lb-Ft except those marked with an * which are Lb-In
(For metric torque value Nm, multiply Lb-Ft value by 1.355 or Lb-In value by 0.113)

Unified National Thread	Grade 2 		Grade 5 		Grade 8 	
	Dry	Lubed	Dry	Lubed	Dry	Lubed
8-32 8-36	19* 20*	14* 15*	30* 31*	22* 23*	41* 43*	31* 32*
10-24 10-32	27* 31*	21* 23*	43* 49*	32* 36*	60* 68*	45* 51*
1/4-20 1/4-28	66* 76*	50* 56*	9 10	75* 86*	12 14	9 10
5/16-18 5/16-24	11 12	9	17 19	13 14	25	18 20
3/8-16 3/8-24	20 23	15 17	30 35	23 25	45 50	35
7/16-14 7/16-20	32 36	24 27	50 55	35 40	70 80	55 60
1/2-13 1/2-20	50 55	35 40	75 90	55 65	110 120	80 90
9/16-12 9/16-18	70 80	55 60	110 120	80 90	150 170	110 130
5/8-11 5/8-18	100 110	75 85	150 180	110 130	220 240	170 180
3/4-10 3/4-16	175 200	130 150	260 300	200 220	380 420	280 320
7/8-9 7/8-14	170 180	125 140	430 470	320 360	600 660	460 500
1-8 1-14	250 270	190 210	640 710	480 530	900 1000	680 740
Metric Course Thread	Grade 8.8 		Grade 10.9 		Grade 12.9 	
	Dry	Lubed	Dry	Lubed	Dry	Lubed
M6-1	8	6	11	8	13.5	10
M8-1.25	19	14	27	20	32.5	24
M10-1.5	37.5	28	53	39	64	47
M12-1.75	65	48	91.5	67.5	111.5	82
M14-2	103.5	76.5	145.5	108	176.5	131
M16-2	158.5	117.5	223.5	165.5	271	200

GEHL®

Gehl Company 143 Water Street, P.O. Box 179, West Bend, WI 53095-0179