

Form No.  
908048

Replaces  
908005

# 2345/2365

## Disc Mower Conditioner



## PARTS MANUAL

**GEHL®** AGRICULTURE

## Introduction

When ordering service parts, specify the correct part number, full description, quantity required, the unit model number and serial number.

The Disc Mower Conditioner model and serial number is on a plate located on the left side of the main frame near the Drawbar anchor point. "Right" and "left" are determined from a position standing behind the Disc Mower Conditioner. From this position the drawbar is on the left.

GEHL® Company reserves the right to make changes or improvements in the design or construction of any part of the unit without incurring the obligation to install such changes on any previously delivered units.

**NOTE:** *On original tire replacement, company policy prohibits the sale of replacement tires for all GEHL machinery. Replacement wheel sets are available and tire size information is called out with the wheel sets to facilitate replacement tire selection. ALL REPLACEMENT TIRES MUST BE PURCHASED LOCALLY.*

Refer to the abbreviations table located on this page for the various fastener descriptions. Standard attaching hardware torque values are also provided on the inside back cover.

In the exploded view parts list, Reference Numbers may have additional information following the Reference Number.

A tear drop symbol will indicate an application of a "wet" product such as oil, and the number inside the tear drop will correspond to the description in the Parts List.

Also, a number inside a hexagon will be the torque value required, in foot pounds, on the associated Reference Number. Items shown in the parts list that do not have Reference Numbers are shown for reference purposes only and are NOT available for purchase.

Unless otherwise specified, all cap screws or bolts are Grade 5, cadmium or zinc plated; hexagon nuts for Grade 5 cap screws or bolts are Grade B; hexagon nuts for other cap screws or bolts are Grade A.

**NOTE:** *The following abbreviations may be used herein:*

AR	– As Required
ASSD	– Assembled
ASSY	– Assembly
CB	– Carriage Bolt
CCW	– Counterclockwise
CP	– Cotter Pin
CS	– Cap Screw (Hexagon Head)
CTR	– Center
CW	– Clockwise
DEG	– Degree
DIA	– Diameter
FCS	– Flanged Cap Screw
FHMS	– Flat Head Machine Screw
FL	– Flanged
FLN	– Flanged Lock Nut (Hexagon)
FLS	– Flanged Lock Screw (Hexagon)
FW	– Flat Washer
GA	– Gauge
GR	– Grade
HD	– Hard or Head
HN	– Hex Nut
INCL	– Includes
JT	– Joint
LG	– Large
LH	– Left Hand
LN	– Lock Nut
LW	– Lock Washer
M	– Metric
MM/mm	– Millimeter
NF	– National Fine
PB	– Plow Bolt
PTO	– Power Take Off
RH	– Right Hand
RHMS	– Round Head Machine Screw
RPM	– Revolutions Per Minute
RT	– Right
SERR	– Serrated
SHCS	– Socket Head Cap Screw
SHSS	– Socket Head Set Screw
SN	– Serial Number or Slotted Nut
SQ	– Square
T	– Tooth or Teeth
TFS	– Thread Forming Screw
THMS	– Truss Head Machine Screw
THRD	– Thread
WLDMT	– Weldment
#	– Number
	– Torque Required in Foot-Pounds
	– Indicates a Fluid Application

# TABLE OF CONTENTS

Introduction .....	Inside Front Cover
Table of Contents .....	1
Decal Locations .....	2-7
Drawbar & Tower Shields (After SN8300-2345 & SN10400-2365) .....	8
Drawbar & Tower Shields (Before SN8301-2345 & SN10401-2365) .....	9
Tower, Hitch & Hitchjack .....	10-11
Gearbox Mounting .....	12-13
Cutterbar - DC2345 .....	14
Cutterbar - DC2365 .....	15
Cutterbar & Discs - DC2345 (After SN8300) .....	16
Cutterbar & Discs - DC2365 (After SN10400) .....	17
Cutterbar & Discs - DC2345 (Before SN8301) .....	18
Cutterbar & Discs - DC2365 (Before SN10401) .....	19
Cutterbar & Skid Shoes - DC2345 .....	20
Cutterbar & Skid Shoes - DC2365 .....	21
Rollers & Roller Drive (Left Side) .....	22-23
Rollers & Roller Drive (Right Side) .....	24-25
Roll Tension System .....	26
Forming Chamber .....	27
Trailer Assembly (Left Side) .....	28-29
Trailer Assembly (Right Side) .....	30-31
Hydraulics - Lift .....	32
Hydraulics - Drawbar Positioner .....	33
Header to Trailer Assembly .....	34-35
Shields & Covers .....	36-39
Curtains .....	40
Axles & Wheels .....	41
Driveline, Tractor to Tower (540 RPM) .....	42
Driveline, Tractor to Tower (1000 RPM) .....	43
Driveline, Tower to Gearbox (540 & 1000 RPM) (After SN8300-2345 & SN10400-2365) .....	44
Driveline, Tower to Gearbox (540 RPM) (Before SN8301-2345 & SN10401-2365) .....	45
Driveline, Tower to Gearbox (1000 RPM) (Before SN8301-2345 & SN10401-2365) .....	46
Driveline, Gearbox To Cutterbar .....	47
Gearbox .....	48
Overrunning Clutch (540 & 1000 RPM) (After SN8300-2345 & SN10400-2365) .....	49
Overrunning Clutch (540 RPM) (Before SN8301-2345 & SN10401-2365) .....	50
Overrunning Clutch (1000 RPM) (Before SN8301-2345 & SN10401-2365) .....	51
Hitchjacks .....	52
Hitch Extension .....	53
Options & Accessories .....	54-57
Transport Lights .....	54
Tall Skid Shoes .....	55
Tilt Cylinder Kit .....	56
Safety Chain, Crop Lifter Kit, V-Type Blades .....	57
Service Kits - Electrical Connectors .....	58
Alphabetical Index .....	59
Numerical Index .....	60-65
Standard Hardware Torque specifications .....	Inside Back Cover

# DECAL LOCATIONS

## GENERAL INFORMATION

Decal locations information is provided to assist in the proper selection and application of new decals, in the event the original decals become damaged or the machine is repainted. Refer to the listing for the illustration reference number, part number, description and quantity of each decal provided in the kit. Refer to the appropriate illustration(s) for replacement location(s).

**NOTE:** Refer to the *SAFETY* chapter of the *Operator's Manual* for the specific information provided on all of the various safety decals furnished in the decal kit(s).

To insure proper selection for correct replacement decal(s), compare all of the various close-up location illustrations to your machine **BEFORE** starting to refinish the unit. Then circle each decal applicable to your machine while checking off its part number in the listing. After you have verified all the decals needed for replacement, set aside unneeded decals for disposal.

## NEW DECAL APPLICATION

Surfaces **MUST** be free from dirt, dust, grease and other foreign material before applying the new decal. To apply a solid-formed decal, remove the smaller portion of the decal backing paper and apply this part of the exposed adhesive backing to the clean surface while maintaining proper position and alignment. Slowly peel off the other portion of the backing paper while applying hand pressure to smooth out the decal surface.



## CAUTION

**ALWAYS** observe safety rules shown on decals. If decals become damaged or if the unit is repainted, replace the decals. If repainting, **BE SURE** to affix **ALL** decals from the kit(s) which apply to your machine.

### PAINT NOTICE

Use this list to order paint for refinishing:

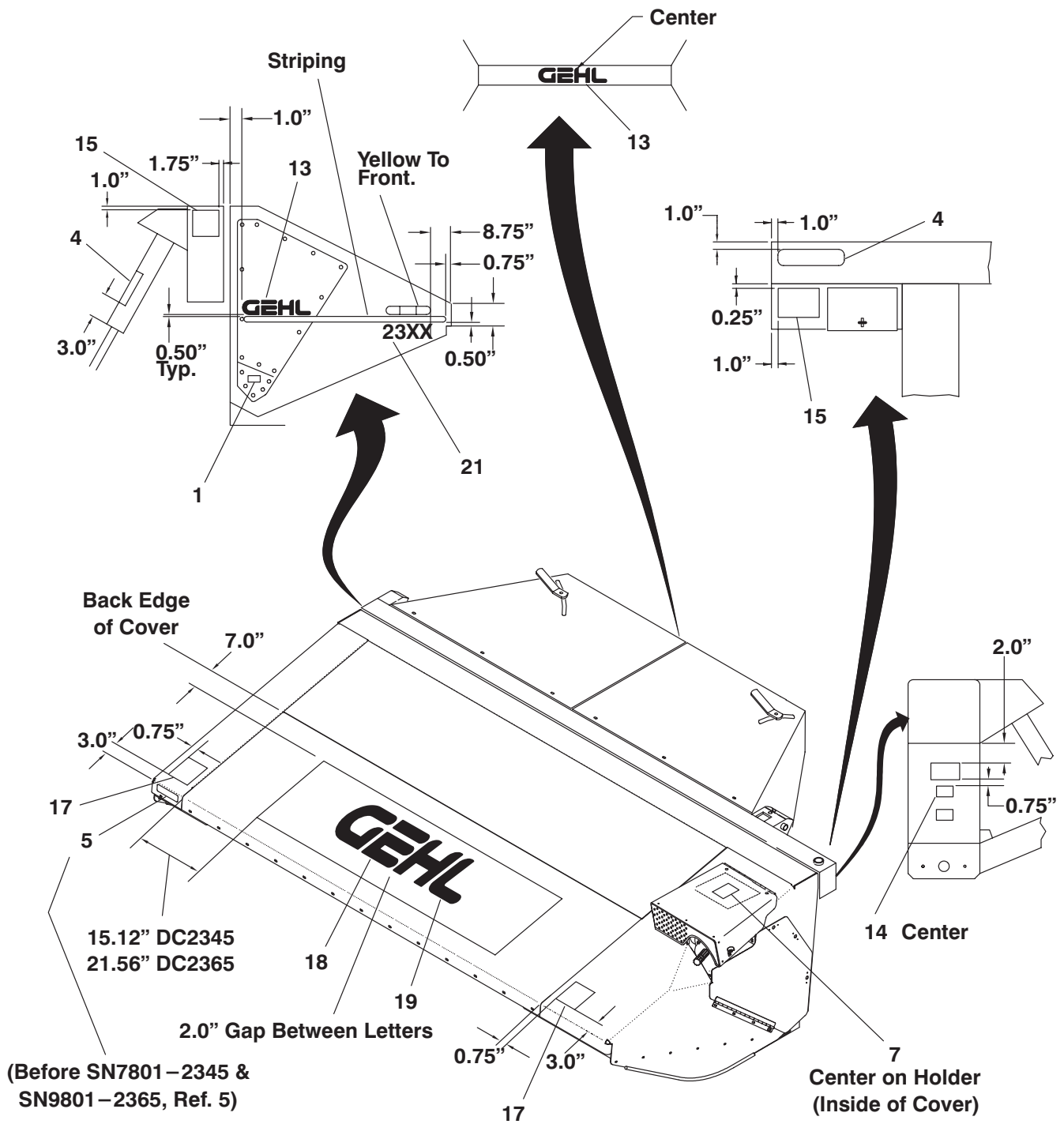
<b>906315</b>	<b>One Gal. AG Red</b>
<b>906324</b>	<b>One Qt. Light Grey</b>
<b>906316</b>	<b>6 (12 oz. Spray Cans) AG Red</b>
<b>906325</b>	<b>6 (12 oz. Spray Cans) Light Grey</b>

The decal set number for the DC2345 and DC2365 is 141952. The set includes the following:

Ref. No.	Part No.	Description & Quantity
1.	060138	Oil Level
2.	060510	Jack Storage Position
3.	060511	Jack Lifting Position
4.	145216	Red Reflector Strip (2 Places)
5.	145217	Amber Reflector Strip (2 Places After SN7800-2345 & SN9800-2365)
6.	091444	DANGER - Rotating Drive Line (2 Places)
7.	093366	Store Manual Here
8.	093367	WARNING - Owner's Responsibility & Read Manual
9.	093373	WARNING - General Safety
10.	093465	WARNING - 1000 RPM Operation ONLY
	093466	WARNING - 540 RPM Operation ONLY
11.	093653	WARNING - Rotating Drive Line
12.	094912	Colorbar 12"
13.	094913	GEHL 3-1/4" (3 Places)
14.	094951	Made In USA
15.	115974	WARNING - Block (2 Places)
16.	120790	Hitch Adjustment
17.	125476	DANGER - Rotating Knives (2 Places)
18.	126456	GE
19.	126457	HL
20.	141933	2345
	141934	2365
21.	141935	2345 & BAR
	141936	2365 & BAR
23.	145218	Orange Reflector Strip (2 Places) (After SN7800-2345 & SN9800-2365)
24.	145235	SMV Emblem (Includes Hardware) (After SN7800-2345 & SN9800-2365)
25.	145237	Mounting Spade (After SN7800-2345 & SN9800-2365)
26.	143007*	DANGER - Shield Missing

\* NOT Included in Decal Kit

**NOTE:** Order part number 126757 for 10 ft roll of replacement striping



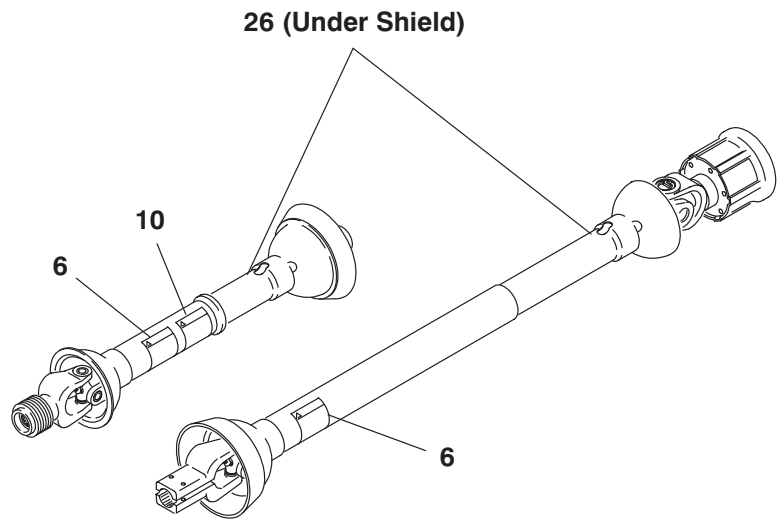
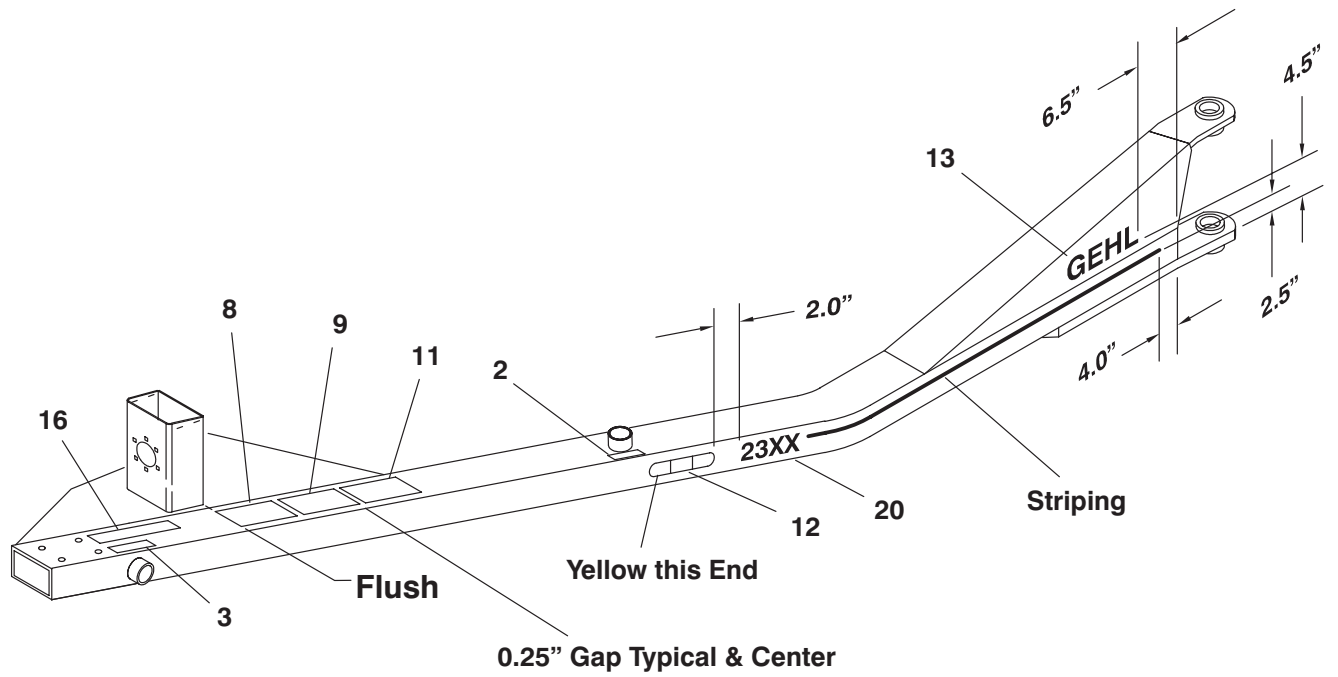
# DECAL LOCATIONS (CONTINUED)

The decal set number for the DC2345 and DC2365 is 141952. The set includes the following:

Ref. No.	Part No.	Description & Quantity
1.	060138	Oil Level
2.	060510	Jack Storage Position
3.	060511	Jack Lifting Position
4.	145216	Red Reflector Strip (2 Places)
5.	145217	Amber Reflector Strip (2 Places After SN7800-2345 & SN9800-2365)
6.	091444	DANGER - Rotating Drive Line (2 Places)
7.	093366	Store Manual Here
8.	093367	WARNING - Owner's Responsibility & Read Manual
9.	093373	WARNING - General Safety
10.	093465	WARNING - 1000 RPM Operation ONLY
	093466	WARNING - 540 RPM Operation ONLY
11.	093653	WARNING - Rotating Drive Line
12.	094912	Colorbar 12"
13.	094913	GEHL 3-1/4" (3 Places)
14.	094951	Made In USA
15.	115974	WARNING - Block (2 Places)
16.	120790	Hitch Adjustment
17.	125476	DANGER - Rotating Knives (2 Places)
18.	126456	GE
19.	126457	HL
20.	141933	2345
	141934	2365
21.	141935	2345 & BAR
	141936	2365 & BAR
23.	145218	Orange Reflector Strip (2 Places) (After SN7800-2345 & SN9800-2365)
24.	145235	SMV Emblem (Includes Hardware) (After SN7800-2345 & SN9800-2365)
25.	145237	Mounting Spade (After SN7800-2345 & SN9800-2365)
26.	143007*	DANGER - Shield Missing

\* NOT Included in Decal Kit

**NOTE:** Order part number 126757 for 10 ft roll of replacement striping



# DECAL LOCATIONS (CONTINUED)

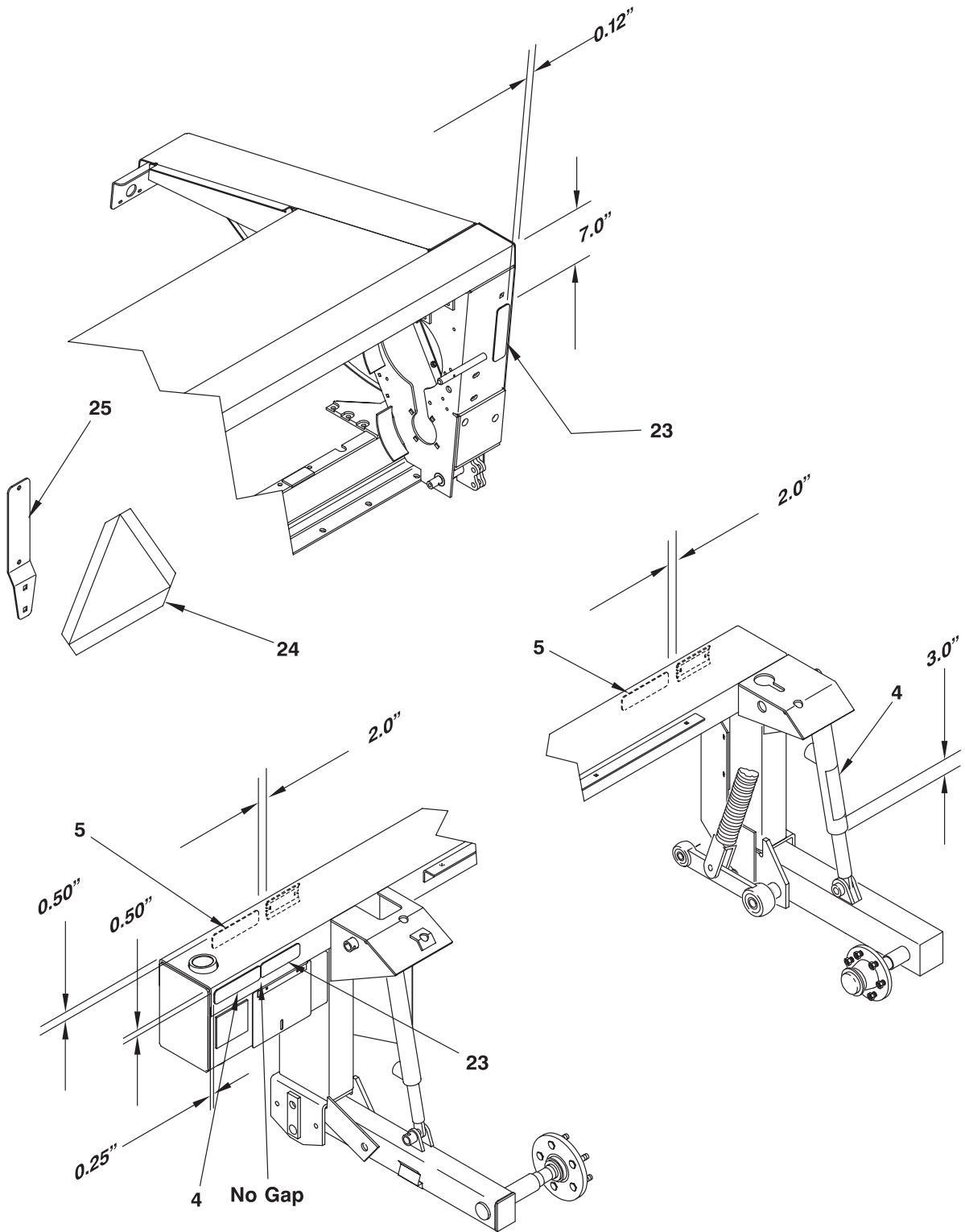
The decal set number for the DC2345 and DC2365 is 141952. The set includes the following:

Ref. No.	Part No.	Description & Quantity
1.	060138	Oil Level
2.	060510	Jack Storage Position
3.	060511	Jack Lifting Position
4.	145216	Red Reflector Strip (2 Places)
5.	145217	Amber Reflector Strip (2 Places After SN7800-2345 & SN9800-2365)
6.	091444	DANGER - Rotating Drive Line (2 Places)
7.	093366	Store Manual Here
8.	093367	WARNING - Owner's Responsibility & Read Manual
9.	093373	WARNING - General Safety
10.	093465	WARNING - 1000 RPM Operation ONLY
	093466	WARNING - 540 RPM Operation ONLY
11.	093653	WARNING - Rotating Drive Line
12.	094912	Colorbar 12"
13.	094913	GEHL 3-1/4" (3 Places)
14.	094951	Made In USA
15.	115974	WARNING - Block (2 Places)
16.	120790	Hitch Adjustment
17.	125476	DANGER - Rotating Knives (2 Places)
18.	126456	GE
19.	126457	HL
20.	141933	2345
	141934	2365
21.	141935	2345 & BAR
	141936	2365 & BAR
23.	145218	Orange Reflector Strip (2 Places) (After SN7800-2345 & SN9800-2365)
24.	145235	SMV Emblem (Includes Hardware) (After SN7800-2345 & SN9800-2365)
25.	145237	Mounting Spade (After SN7800-2345 & SN9800-2365)
26.	143007*	DANGER - Shield Missing

\* NOT Included in Decal Kit

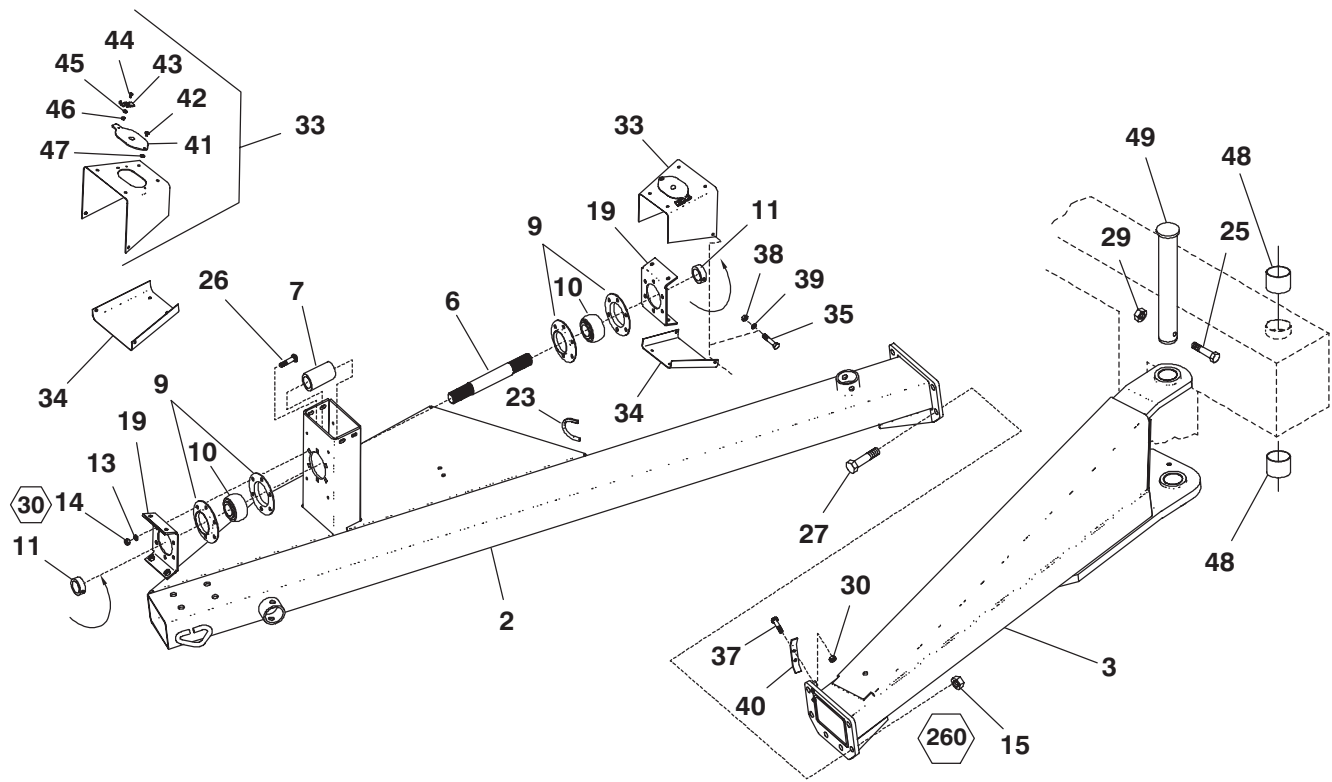
**NOTE:** Order part number 126757 for 10 ft roll of replacement striping





**After SN7800-2345 & SN9800-2365**

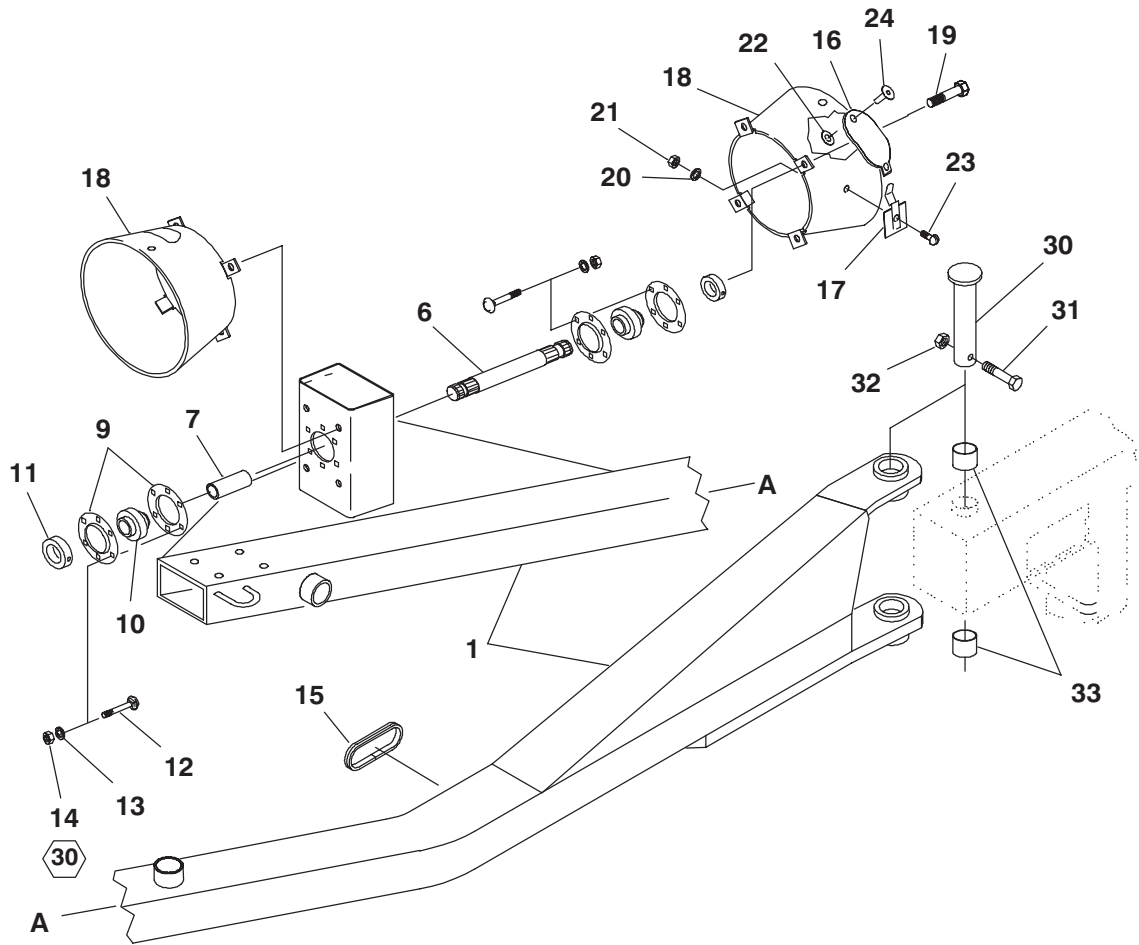
# DC2345/2365 - DRAWBAR & TOWER SHIELDS (AFTER SN8300-2345 & SN10400-2365)



Ref. No.	Part No.	Description	Qty. Req.	Ref. No.	Part No.	Description	Qty. Req.
02	171627 <sub>a</sub>	TONGUE/FRONT . . . . .	1	27	650416	CS 3/4X2-1/2 . . . . .	7
		(AFTER SN9833-2345 & SN11736-2365)				(AFTER SN9833-2345 & SN11736-2365)	
	156463 <sub>a</sub>	TONGUE/FRONT . . . . .	1		651167	CS 5/8X2 GR8 . . . . .	6
		(BEFORE SN9834-2345 & SN11737-2365)				(BEFORE SN9834-2345 & SN11737-2365)	
03	171016	WLDMT/TONGUE ASSY . . . . .	1	29	653044	JN 1/2 . . . . .	1
		(AFTER SN9833-2345 & SN11736-2365)		30	071701	LN 5/16 . . . . .	6
	144917	WLDMT/TONGUE ASSY . . . . .	1	33	156427	SHIELD/ASSY . . . . .	2
		(BEFORE SN9834-2345 & SN11737-2365)		34	156182	SHIELD/BOTTOM CENTER . . . . .	2
06	124475	SHAFT . . . . .	1	35	650486	CS 5/16X3/4 . . . . .	12
07	124626	SHIELD/SHAFT . . . . .	1	36	650650	CS 1/2X3-1/2 . . . . .	1
09	124484	FLANGETTE . . . . .	4	37	650692	CS 5/16X1-3/4 . . . . .	4
10	520092	BEARING/BALL . . . . .	2	38	653007	HN 5/16 . . . . .	4
11	520093	COLLAR/BEARING . . . . .	2	39	654024	LW 5/16 . . . . .	12
12	650704	CB 3/8X1 . . . . .	2	40	142898	CLAMP/HOSE . . . . .	3
13	654026	LW 3/8 . . . . .	12	41	126342	FLAP . . . . .	1
14	071703	LN 3/8 . . . . .	12	42	079187	RIVET/BLIND . . . . .	1
15	073175	HLN TOP 3/4 . . . . .	7	43	040860	CLIP/LUDWIG . . . . .	1
		(AFTER SN9833-2345 & SN11736-2365)		44	650980	RHMS#10-24X3/8 . . . . .	1
	071709	LN 5/8 . . . . .	6	45	650584	FW #10 . . . . .	1
		(BEFORE SN9834-2345 & SN11737-2365)		46	650550	HN #10 . . . . .	1
19	142122	BRACKET/SHIELD . . . . .	2	47	650549	LW #10 . . . . .	1
23	156438	EDGING . . . . .	1	48	045-31404	BUSHING/OILITE . . . . .	2
25	650744	CS 1/2X4 . . . . .	1	49	220-32514	WELDMENT/PIN . . . . .	1
26	650786	CB 3/8X1-1/4 . . . . .	12				

a) Includes 093367, 093373 & 093653 WARNING decals.

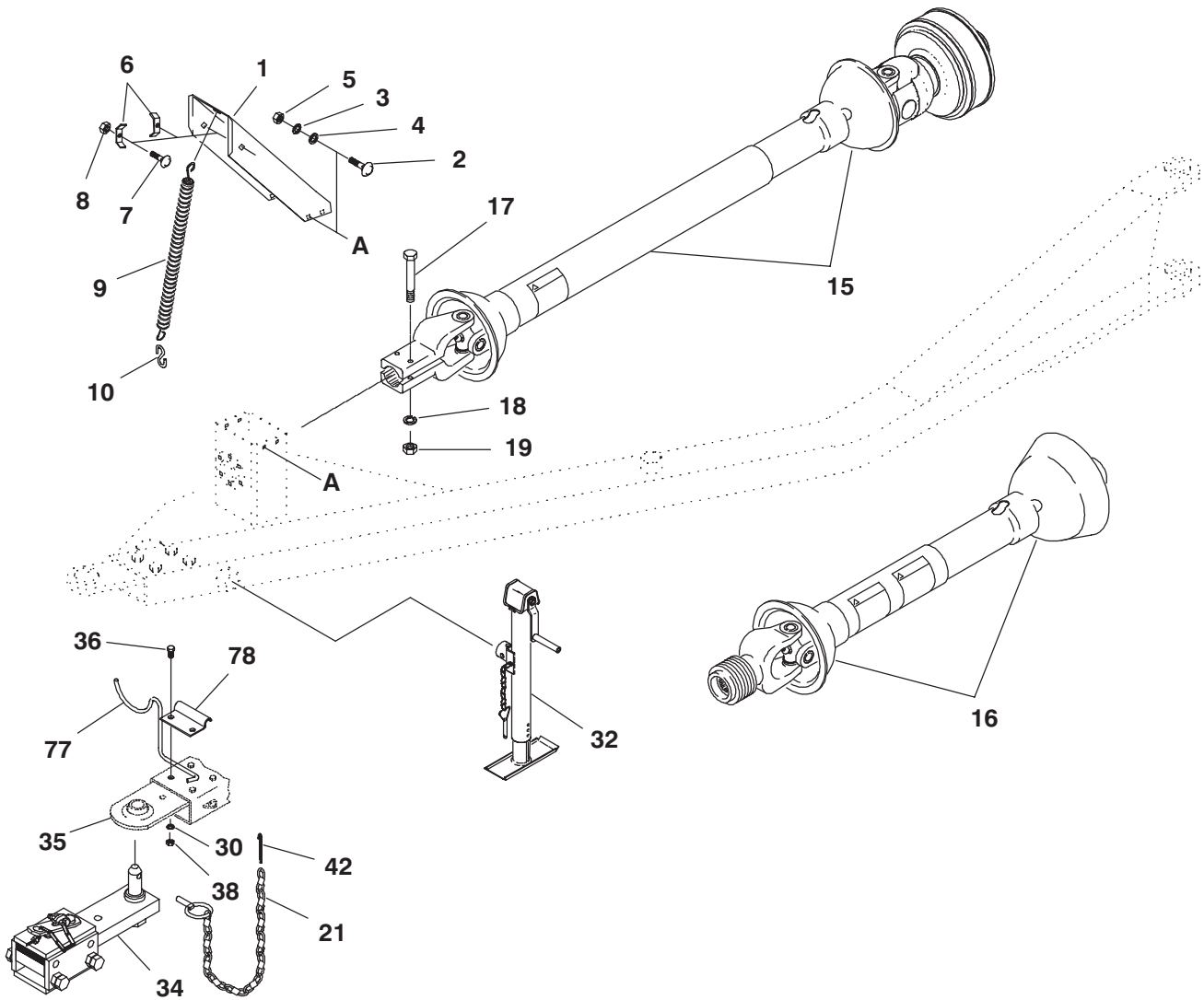
# DC2345/2365 - DRAWBAR & TOWER SHIELDS (BEFORE SN8301-2345 & SN10401-2365)



Ref. No.	Part No.	Description	Qty. Req.	Ref. No.	Part No.	Description	Qty. Req.
01	153458 <sup>a</sup>	DRAWBAR/ASSY .....	1	18	112413	SHIELD/ASSY TOWER .....	2
06	124475	SHAFT .....	1	19	650985	TFS 5/16X3/4 .....	8
07	124626	SHIELD/SHAFT .....	1	20	650549	LW #10 .....	2
09	124484	FLANGETTE .....	4	21	650550	HN MS #10-24 .....	2
10	520092	BEARING/BALL .....	2	22	650584	FW #10 .....	2
11	520093	COLLAR/BEARING .....	2	23	650980	RHMS#10-24X3/8 .....	2
12	650704	CB 3/8X1 .....	12	24	079187	RIVET/BLIND .....	2
13	654026	LW 3/8 .....	12	30	220-32514	WELDMENT/PIN.....	1
14	071703	LN 3/8 .....	12	31	650650	CS 1/2X3-1/2 .....	1
15	119503	EDGING .....	2	32	071706	LN 1/2 .....	1
16	126342	FLAP.....	1	33	045-31404	BUSHING/OILITE .....	2
17	040860	CLIP/LUDWIG .....	1				

**a) Includes 093367, 093373 & 093653 WARNING decals.**

# DC2345/2365 - TOWER, HITCH & HITCHJACK



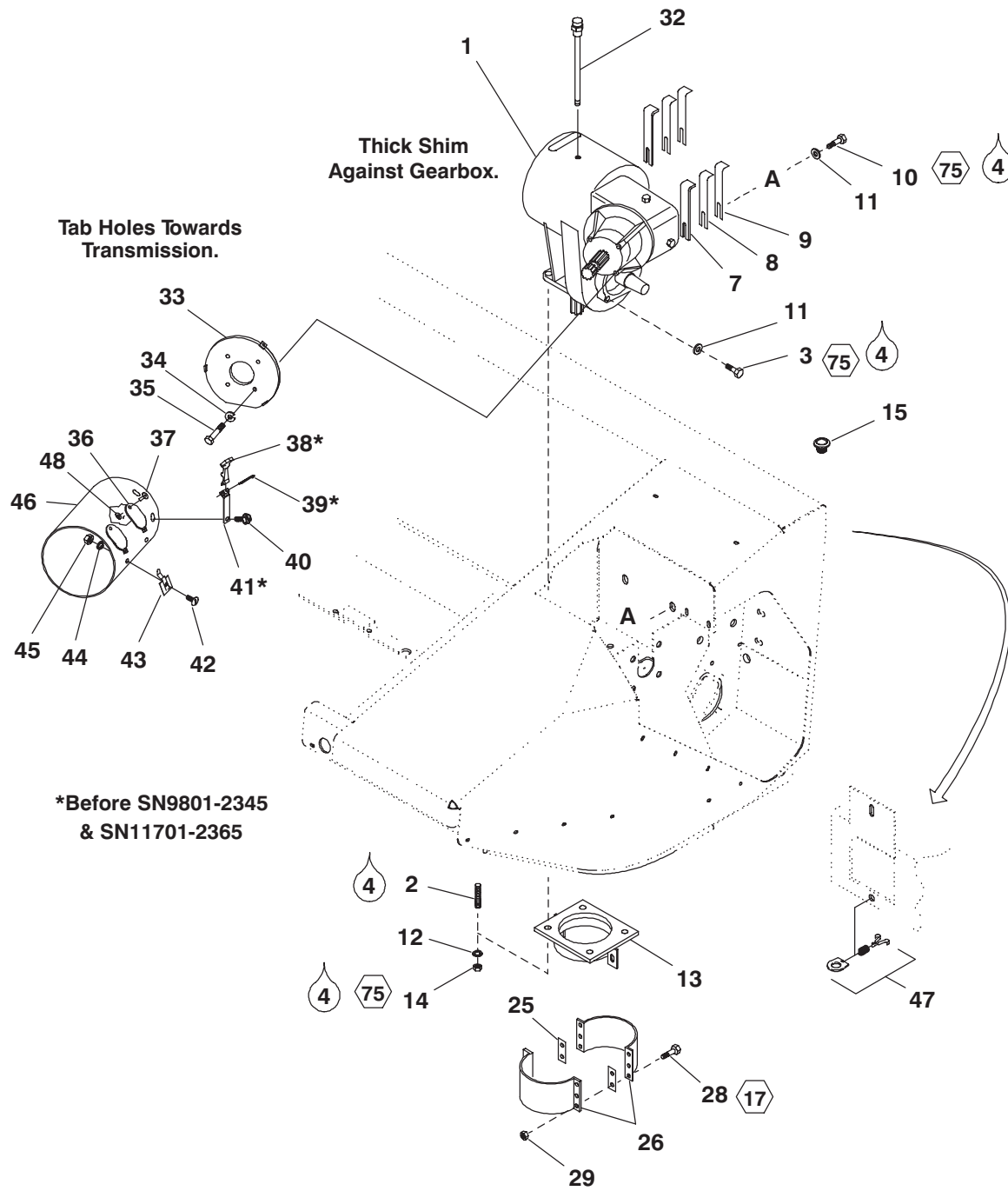
## DC2345/2365 - TOWER, HITCH & HITCHJACK

Ref. No.	Part No.	Description	Qty. Req.	Ref. No.	Part No.	Description	Qty. Req.
01	124543	COVER/TOWER .....	1	19	071706	LN 1/2 .....	2
02	650704	CB 3/8X1 .....	4	21	119805	LINCHPIN W/CHAIN .....	1
03	654026	LW 3/8 .....	4	30	654032	LW 5/8 .....	4
04	654006	FW 3/8 .....	4	32	143470 <sub>b</sub>	JACK (LATE STYLE) .....	1
05	653010	HN 3/8 .....	4	32	088841 <sub>b</sub>	JACK (EARLY STYLE) .....	1
06	059453	CLAMP/TUBE .....	2	34	118254 <sub>b</sub>	EXTENSION/HITCH .....	1
07	650781	CB 5/16X1-1/2 .....	2	35	124608	HITCH/ASSY .....	1
08	071701	LN 5/16 .....	2	36	650694	CS 5/8X2-1/2 .....	4
09	056336	SPRING/EXTENSION .....	1	38	653021	HN 5/8 .....	4
		(BEFORE SN7801-2345 & SN9801-2365)		42	655022	CP 3/16X1-3/4 .....	1
10	B11433A	HOOK/S .....	1	77	144897	ROD/SUPPORT .....	1
		(BEFORE SN7801-2345 & SN9801-2365)				(AFTER SN7800-2345 & SN9800-2365)	
15	NS <sub>a</sub>	DRIVELINE/UNIVERSAL .....	1	78	144898	PLATE/HINGE .....	1
16	NS <sub>a</sub>	DRIVELINE/UNIVERSAL .....	1			(AFTER SN7800-2345 & SN9800-2365)	
17	651240	CS 1/2X3 GR8 .....	2				
18	654030	LW 1/2 .....	2				

a) Not available as a Service Part. See breakdown page.

b) See breakdown page for further details.

# DC2345/2365 - GEARBOX MOUNTING

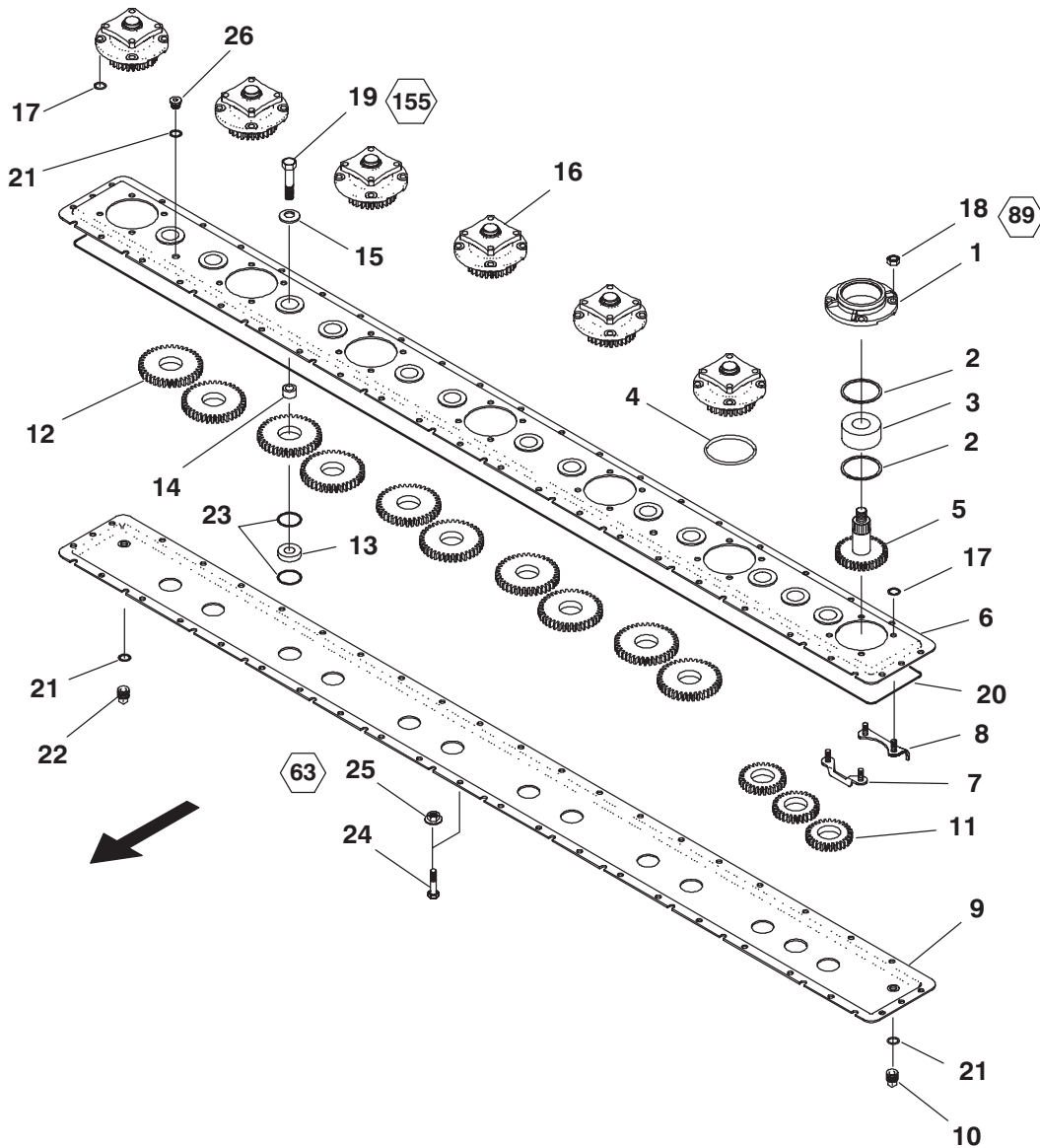


## DC2345/2365 - GEARBOX MOUNTING

Ref. No.	Part No.	Description	Qty. Req.	Ref. No.	Part No.	Description	Qty. Req.
01	097528 <sub>a</sub>	GEARBOX/540 RPM .....	1	29	064260	NILN 5/16 .....	6
	097529 <sub>a</sub>	GEARBOX/1000 RPM .....	1	32	126639	DIPSTICK .....	1
02	124966	STUD .....	4	33	171214	PLATE/SUPPORT .....	1
03	650494	CS 1/2X1 .....	4	34	656110	LW REG M8 .....	4
04		LOCKTITE		35	656001	CS M8X20 .....	4
07	098221	SHIM/.125 .....	AR	36	126342	FLAP .....	2
08	098222	SHIM/.062 .....	AR	37	079187	RIVET/BLIND .....	2
09	115561	SHIM/.035 .....	AR	38	004640	HANDLE .....	1
10	650495	CS 1/2X1-1/4 .....	2			(BEFORE SN9801-2345 & SN11701-2365)	
11	654009	FW 1/2 .....	6	39	655006	CP 1/8X1 .....	1
12	654030	LW 1/2 .....	4			(BEFORE SN9801-2345 & SN11701-2365)	
13	158415	WELDMENT/UPPER DRIVE SHIELD ...	1	40	061872	TFS 5/16X3/4 .....	3
		(AFTER SN8920-2345 & SN10972-2365)		41	117929	ANGLE/ASSY .....	1
	120659	WELDMENT/UPPER DRIVE SHIELD ...	1			(BEFORE SN9801-2345 & SN11701-2365)	
		(BEFORE SN8921-2345 & SN10973-2365)		42	650980	RHMS#10-24X3/8 .....	2
14	653018	HN 1/2 .....	4	43	040860	CLIP .....	2
15	053660	PLUG/HOLE .....	1	44	650549	LW #10 .....	2
25	120710	PLATE/SHIELD SPACER .....	2	45	650550	HN MS #10-24 .....	2
26	158417	WELDMENT/SHIELD HALF .....	2	46	112375	SHIELD/CLUTCH ASSY .....	1
		(AFTER SN8920-2345 & SN10972-2365)		47	049038	LATCH .....	1
	120711	WELDMENT/SHIELD HALF .....	2	48	650584	FW #10 .....	2
		(BEFORE SN8921-2345 & SN10973-2365)					
28	650687	CB 5/16X3/4 .....	6				

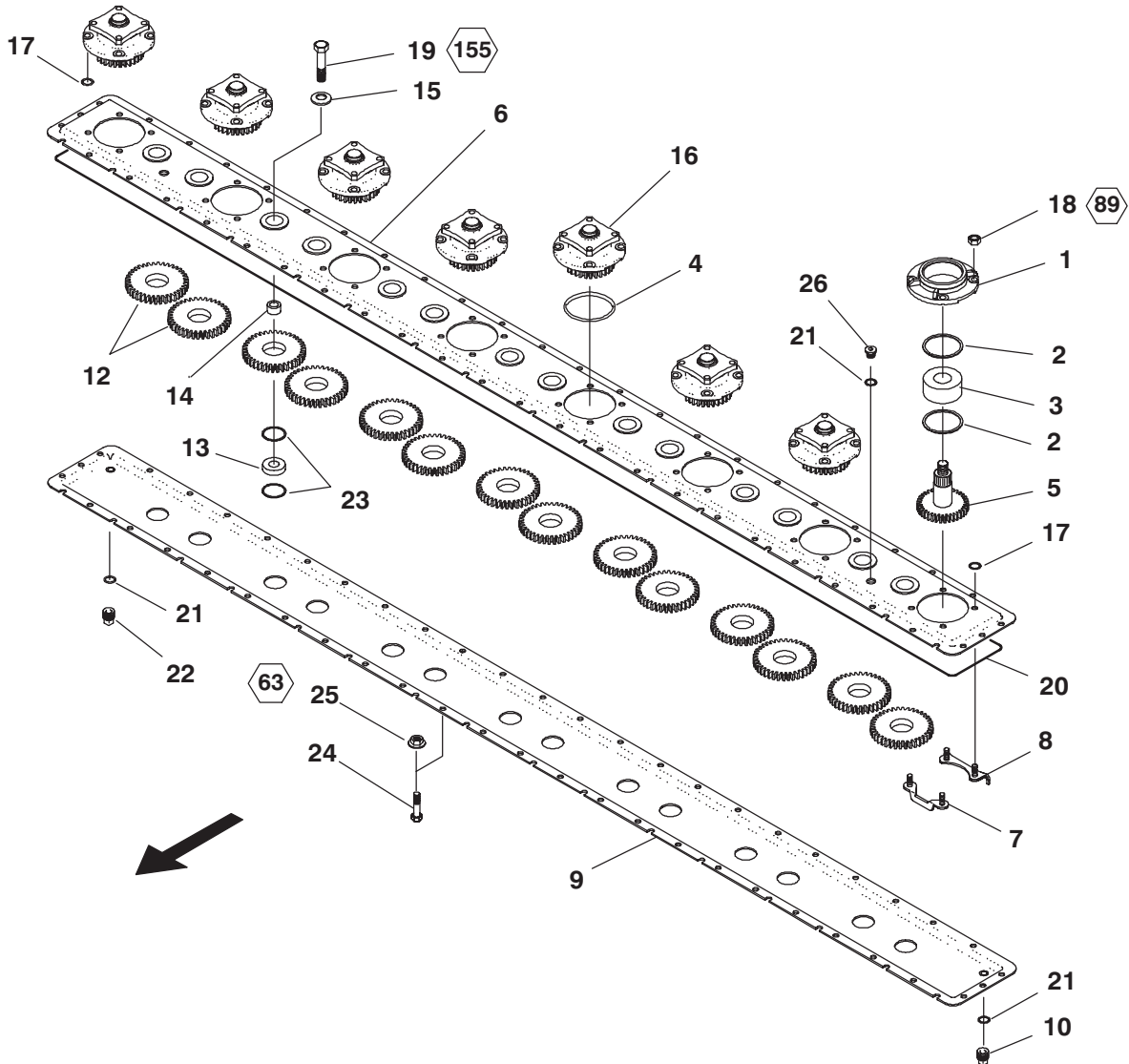
a) For further breakdown, see page entitled 'Gearbox.'

# DC2345 - CUTTERBAR



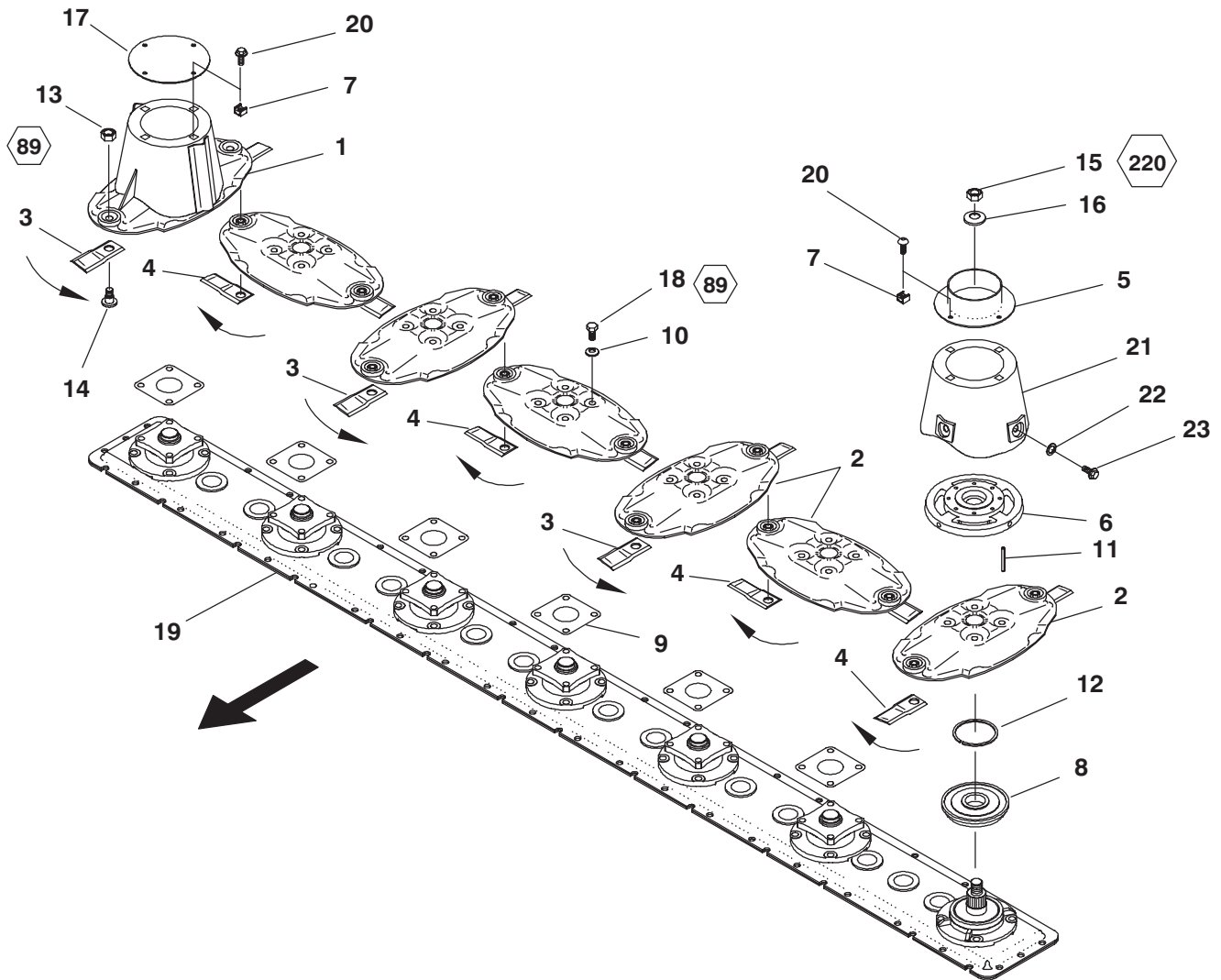
Ref. No.	Part No.	Description	Qty. Req.	Ref. No.	Part No.	Description	Qty. Req.
	152210	CUTTERBAR/7 DISC	1	13	113298	BEARING/SPECIAL BALL	13
		CONSISTS OF:		14	113299	NYLON BUSHING	13
01	113282	HOUSING/DISC BEARING	1	15	113301	WASHER/CONICAL SPRING	13
02	113283	RING/SNAP	2	16	113302	HOUSING/DISC BEARING COMPLETE	6
03	113284	BEARING	1	17	113303	O-RING	28
04	113286	O-RING	7	18	113304	NUT/SELF-LOCKING	28
05	113287	PINION/36T	1	19	113306	SCREW/HEX.M14X1.5X30GR10.9	13
06	113288	PLATE/GEAR CASE TOP	1	20	125424	O-RING	1
07	113290	BRACKET	7	21	125426	RING/SEALING	4
08	113292	BRACKET	7	22	125427	PLUG/MAGNETIC DRAIN	1
09	113294	PLATE/BOTTOM GEAR CASE	1	23	125436	RING/RETAINING	26
10	113295	VALVE/OVERFLOW	1	24	125442	SCREW/LOCKINGM10X18	26
11	113296	GEAR/IDLER 29T	3	25	613859	NUT/SELF-LOCKING	26
12	113297	GEAR/IDLER 38T	10	26	613920	PLUG	2





Ref. No.	Part No.	Description	Qty. Req.	Ref. No.	Part No.	Description	Qty. Req.
	152211	CUTTERBAR/8 DISC	1	14	113299	NYLON BUSHING	14
		CONSISTS OF:		15	113301	WASHER/CONICAL SPRING	14
01	113282	HOUSING/DISC BEARING	1	16	113302	HOUSING/DISC BEARING COMPLETE	7
02	113283	RING/SNAP	2	17	113303	O-RING	32
03	113284	BEARING	1	18	113304	NUT/SELF-LOCKING	32
04	113286	O-RING	8	19	113306	SCREW/HEX. M14X1.5X30GR10.9	14
05	113287	PINION/36T	1	20	113305	O-RING	1
06	113289	PLATE/GEAR CASE TOP	1	21	125426	RING/SEALING	4
07	113290	BRACKET	8	22	125427	PLUG/MAGNETIC DRAIN	1
08	113292	BRACKET	8	23	125436	RING/RETAINING	28
09	113307	PLATE/BOTTOM GEAR CASE	1	24	125442	SCREW/LOCKING M10X18	30
10	113295	VALVE/OVERFLOW	1	25	613859	NUT/SELF-LOCKING	30
12	113297	GEAR/IDLER 38T	14	26	613920	PLUG	2
13	113298	BEARING/SPECIAL BALL	14				

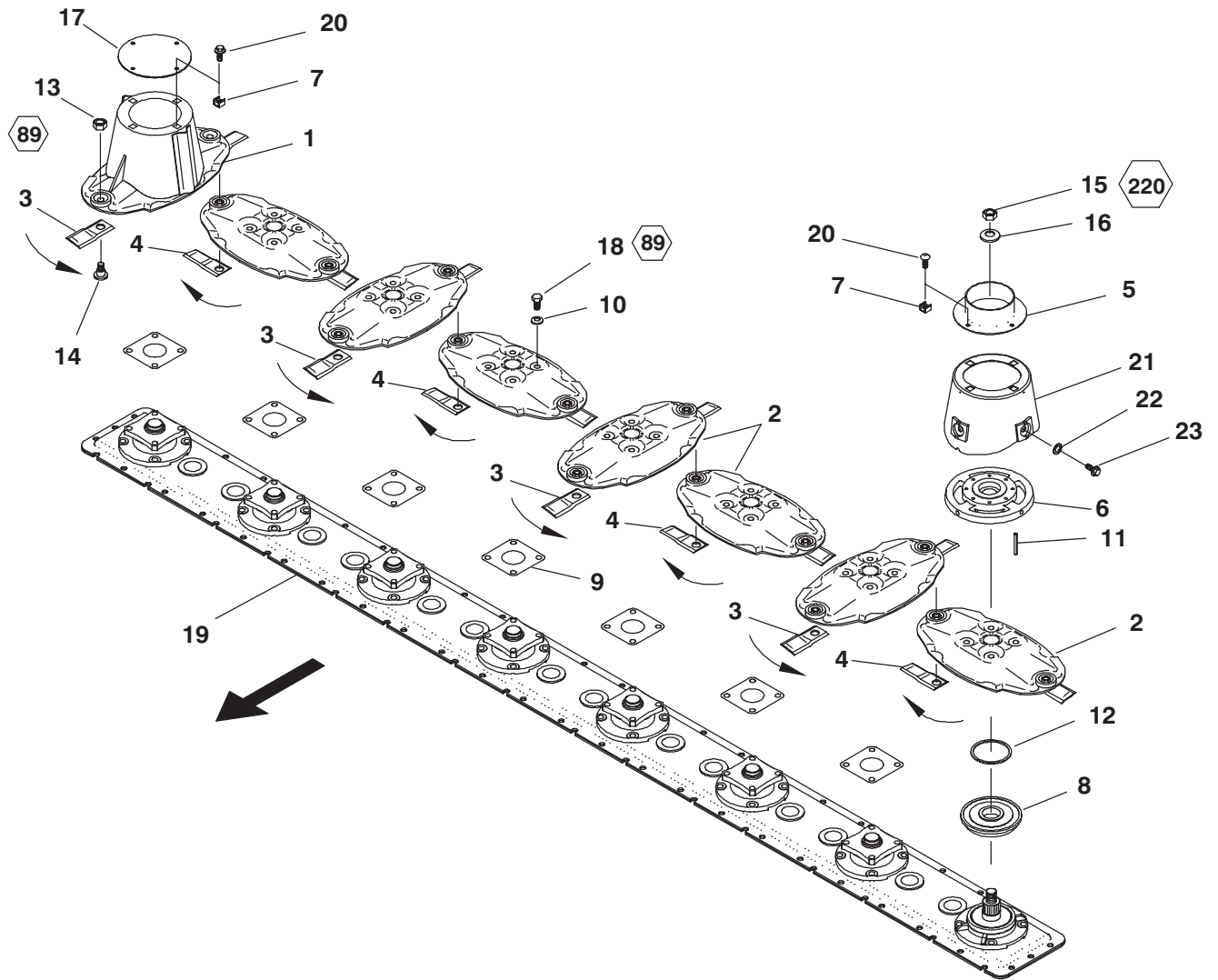
# DC2345 - CUTTERBAR & DISCS (AFTER SN8300)



Ref. No.	Part No.	Description	Qty. Req.	Ref. No.	Part No.	Description	Qty. Req.
	113273 <sub>a</sub>	CUTTERBAR/7 DISC .....	1	12	113280	RING/SHIM .....	AR
		CONSISTS OF:		13	125445	NUT/LOCKING .....	14
01	113266	DISC/END W/CONE .....	1	14	125448	BOLT/BLADE .....	14
02	113267	DISC/CENTER .....	6	15	125450	NUT/LOCKING .....	1
03	113268 <sub>b</sub>	BLADE/ANGLED LEFT .....	6	16	125451	WASHER/SPRING .....	1
	P113268	(PACKAGE OF 12)		17	142630	COVER/DISC .....	1
04	113269 <sub>b</sub>	BLADE/ANGLED RIGHT .....	8	18	142634	SCREW/HEXAGON SPECIAL .....	24
	P113269	(PACKAGE OF 12)		19	152210 <sub>cd</sub>	CUTTERBAR/7 DISC .....	1
05	113271	COVER/DISC .....	1	20	613846	SCREW/S-LOCKING .....	8
06	144757	HUB/DRIVE .....	1	21	144449	SHORTCONE W/HOLES .....	1
07	113274	NUT/CLAMP .....	8	22	142642	CONICAL SPRING WASHER .....	4
08	113275	FLANGE/LOWER .....	1	23	144758	CS M10X16 W/LOCKTITE .....	4
09	113276	WASHER/SHIM .....	AR				
10	113278	WASHER/CONICAL SPRING .....	24				
11	113279	PIN/ROLL .....	2				

- a) Not available as a service part.
- b) Not sold individually.
- c) See breakdown page.
- d) Knives and Discs not included.

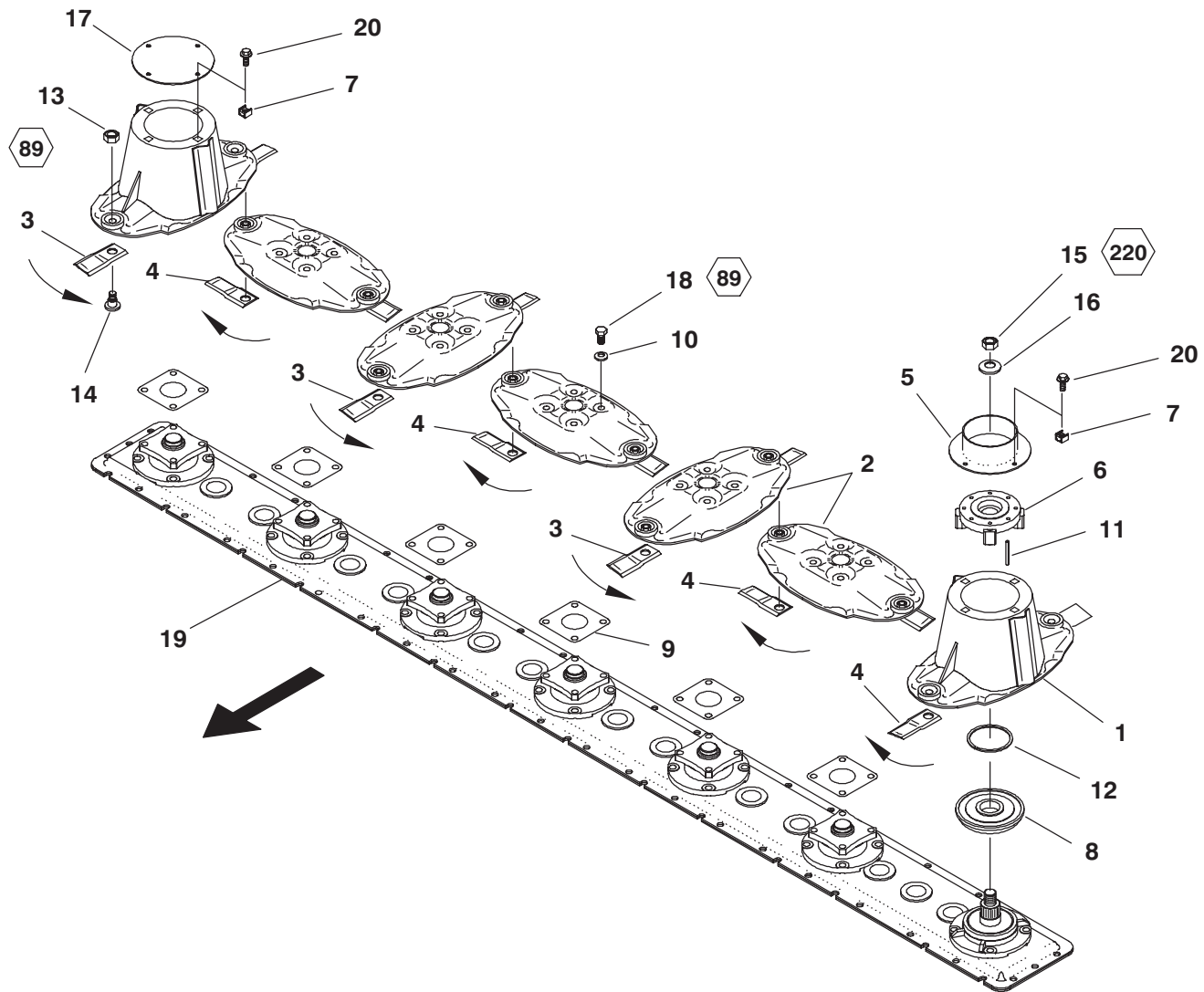
# DC2365 - CUTTERBAR & DISCS (AFTER SN10400)



Ref. No.	Part No.	Description	Qty. Req.	Ref. No.	Part No.	Description	Qty. Req.
	113265 <sub>a</sub>	CUTTERBAR/8 DISC .....	1	12	113280	RING/SHIM .....	AR
		CONSISTS OF:		13	125445	NUT/LOCKING .....	16
01	113266	DISC/END W/CONE .....	1	14	125448	BOLT/BLADE .....	16
02	113267	DISC/CENTER .....	7	15	125450	NUT/LOCKING .....	1
03	113268 <sub>b</sub>	BLADE/ANGLED LEFT .....	8	16	125451	WASHER/SPRING .....	1
	P113268	(PACKAGE OF 12)		17	142630	COVER/DISC .....	1
04	113269 <sub>b</sub>	BLADE/ANGLED RIGHT .....	8	18	142634	SCREW/HEXAGON SPECIAL .....	28
	P113269	(PACKAGE OF 12)		19	152211 <sub>cd</sub>	CUTTERBAR/8 DISC .....	1
05	113271	COVER/DISC .....	1	20	613846	SCREW/S-LOCKING .....	8
06	144757	HUB/DRIVE .....	1	21	144449	SHORTCONE W/HOLES .....	1
07	113274	NUT/CLAMP .....	8	22	142642	CONICAL SPRING WASHER .....	4
08	113275	FLANGE/LOWER .....	1	23	144758	CS M10X16 W/LOCKTITE .....	4
09	113276	WASHER/SHIM .....	AR				
10	113278	WASHER/CONICAL SPRING .....	24				
11	113279	PIN/ROLL .....	2				

- a) Not available as a service part.
- b) Not sold individually.
- c) See breakdown page.
- d) Knives and Discs not included.

# DC2345 - CUTTERBAR & DISCS (BEFORE SN8301)



Ref. No.	Part No.	Description	Qty. Req.	Ref. No.	Part No.	Description	Qty. Req.
	113273 <sub>a</sub>	CUTTERBAR/7 DISC .....	1	11	113279	PIN/ROLL .....	2
		CONSISTS OF:		12	113280	RING/SHIM .....	AR
01	113266	DISC/END W/CONE .....	2	13	125445	NUT/LOCKING .....	14
02	113267	DISC/CENTER .....	5	14	125448	BOLT/BLADE .....	14
03	113268 <sub>b</sub>	BLADE/ANGLED LEFT .....	6	15	125450	NUT/LOCKING .....	1
	P113268	(PACKAGE OF 12)		16	125451	WASHER/SPRING .....	1
04	113269 <sub>b</sub>	BLADE/ANGLED RIGHT .....	8	17	142630	COVER/DISC .....	1
	P113269	(PACKAGE OF 12)		18	142634	SCREW/HEXAGON SPECIAL .....	24
05	113271	COVER/DISC .....	1	19	152210 <sub>cd</sub>	CUTTERBAR/7 DISC .....	1
06	113272	FLANGE/DRIVE .....	1	20	613846	SCREW/S-LOCKING .....	8
07	113274	NUT/CLAMP .....	8				
08	113275	FLANGE/LOWER .....	1				
09	113276	WASHER/SHIM .....	AR				
10	113278	WASHER/CONICAL SPRING .....	24				

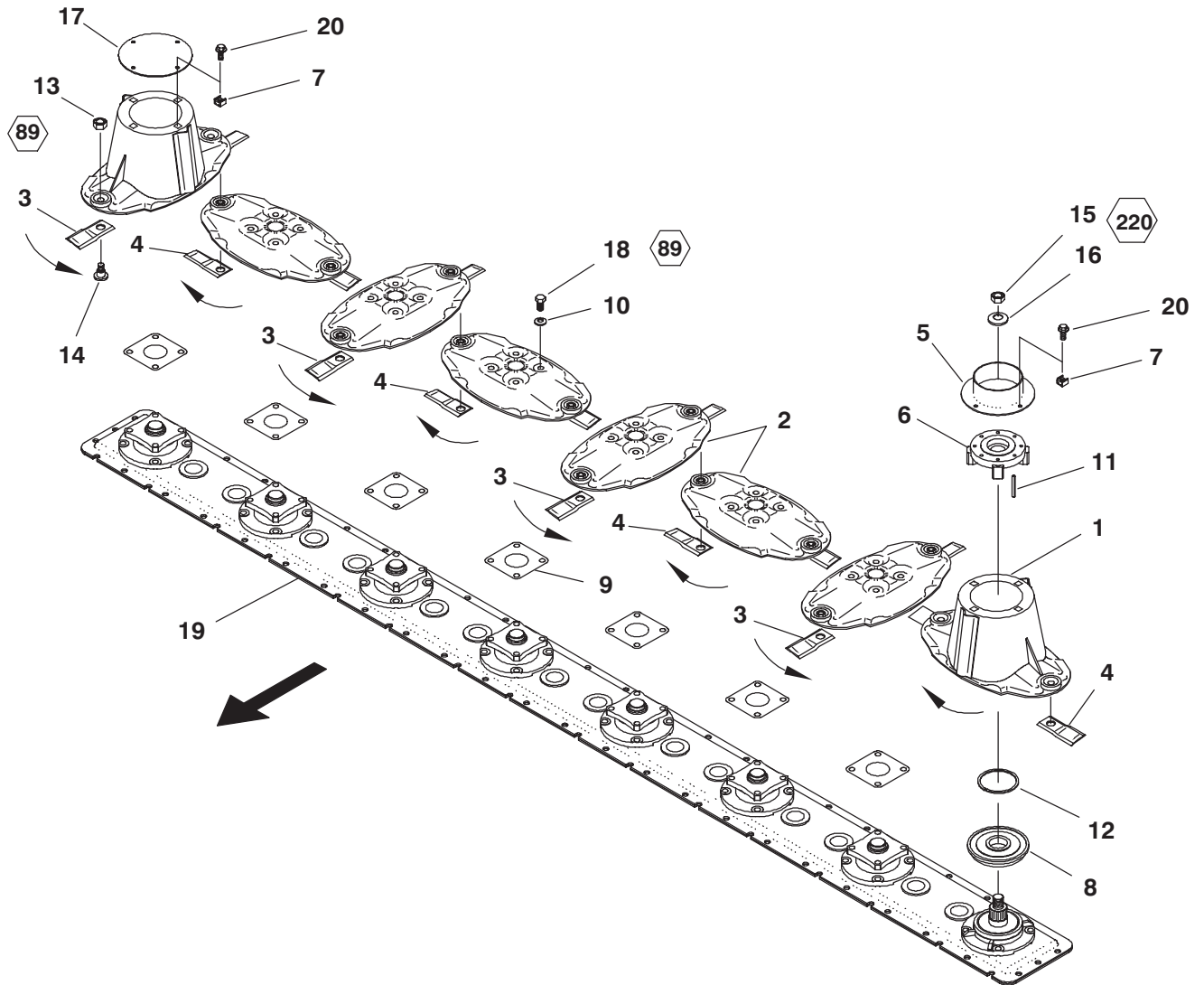
a) Not available as a service part.

b) Not sold individually.

c) See breakdown page.

d) Knives and Discs not included.

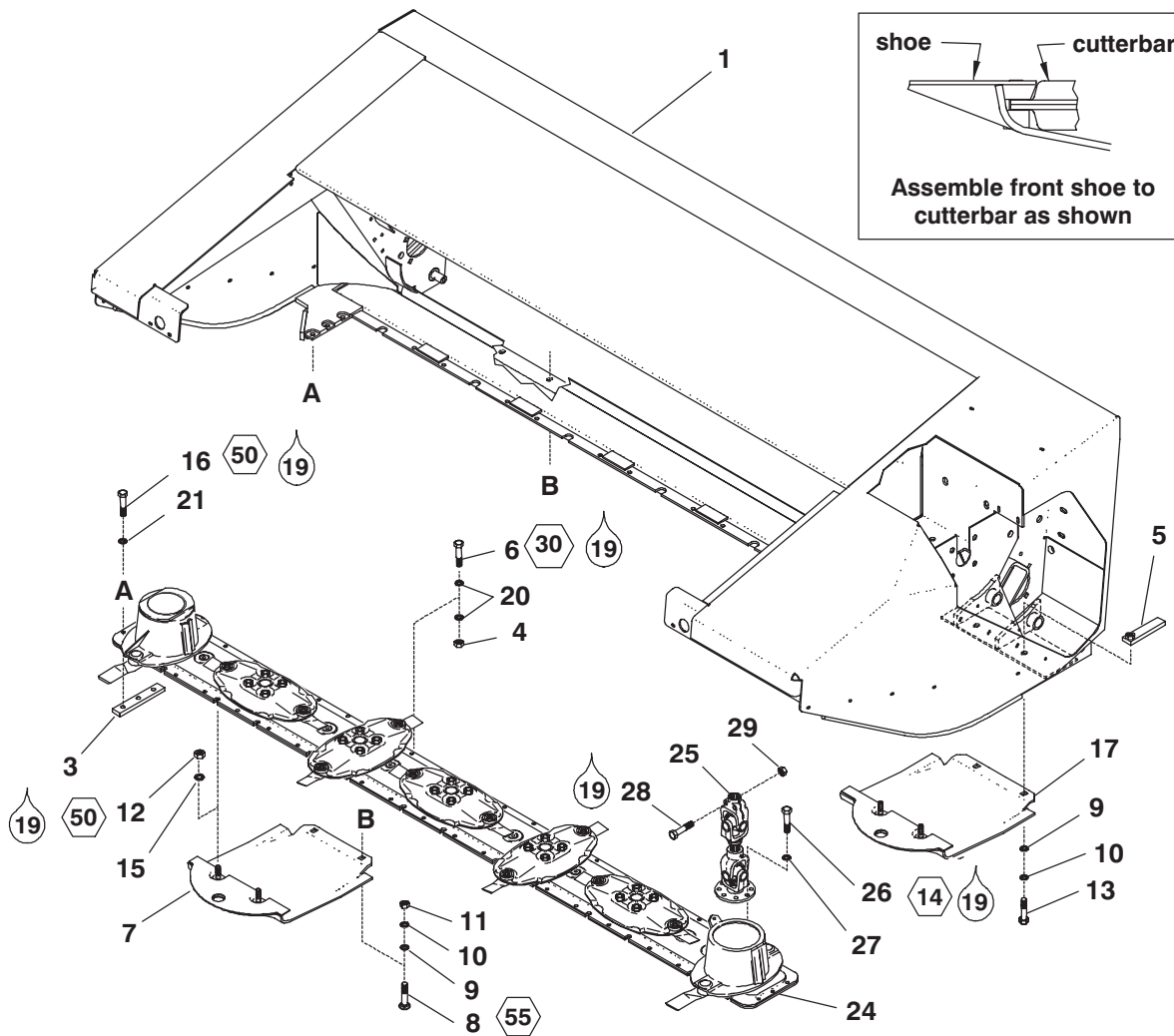
# DC2365 - CUTTERBAR & DISCS (BEFORE SN10401)



Ref. No.	Part No.	Description	Qty. Req.	Ref. No.	Part No.	Description	Qty. Req.
	113265 <sub>a</sub>	CUTTERBAR/8 DISC	1	11	113279	PIN/ROLL	2
		CONSISTS OF:		12	113280	RING/SHIM	AR
01	113266	DISC/END W/CONE	2	13	125445	NUT/LOCKING	16
02	113267	DISC/CENTER	6	14	125448	BOLT/BLADE	16
03	113268 <sub>b</sub>	BLADE/ANGLED LEFT	8	15	125450	NUT/LOCKING	1
	P113268	(PACKAGE OF 12)		16	125451	WASHER/SPRING	1
04	113269 <sub>b</sub>	BLADE/ANGLED RIGHT	8	17	142630	COVER/DISC	1
	P113269	(PACKAGE OF 12)		18	142634	SCREW/HEXAGON SPECIAL	28
05	113271	COVER/DISC	1	19	152211 <sub>cd</sub>	CUTTERBAR/8 DISC	1
06	113272	FLANGE/DRIVE	1	20	613846	SCREW/S-LOCKING	8
07	113274	NUT/CLAMP	8				
08	113275	FLANGE/LOWER	1				
09	113276	WASHER/SHIM	AR				
10	113278	WASHER/CONICAL SPRING	24				

- a) Not available as a service part.
- b) Not sold individually.
- c) See breakdown page.
- d) Knives and Discs not included.

# DC2345 - CUTTERBAR & SKID SHOES

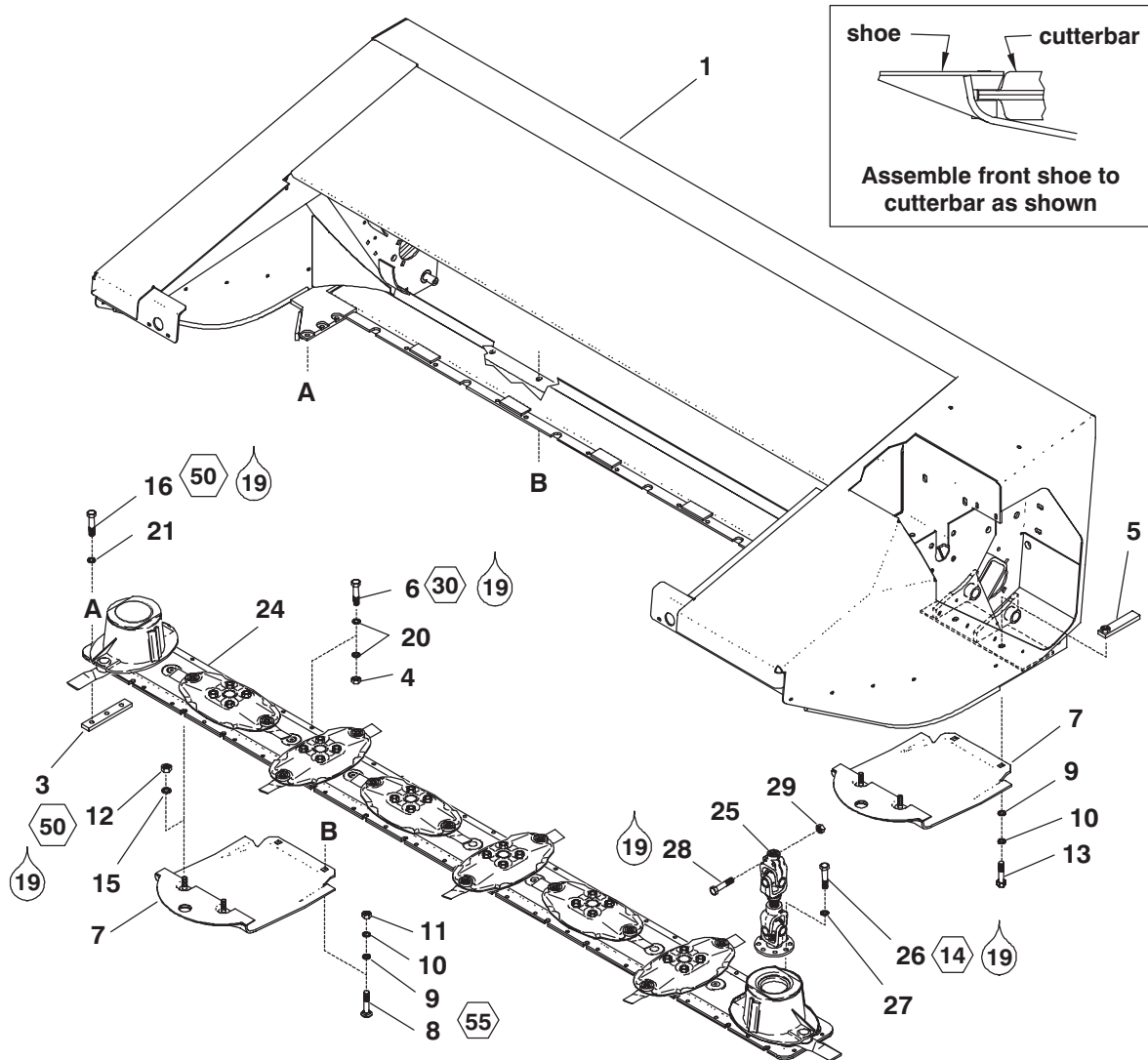


Ref. No.	Part No.	Description	Qty. Req.	Ref. No.	Part No.	Description	Qty. Req.
01	153461 <sub>a</sub>	WELDMNT/7 DISC HEADER	1	17	120456	SHOE/LEFT SKID ASSY	1
03	120674	PLATE/CUTTERBAR END	2	19		LOCKTITE	
04	071703	LN 3/8	12	20	654006	FW 3/8	24
05	141334	PLATE/SKID RETAINING	2	21	654046	FW 7/16	6
06	650491	CS 3/8X1-1/4	12	24	113273 <sub>b</sub>	CUTTERBAR/7 DISC	1
07	120459	SHOE/SKID ASSY	6	25	NS <sub>b</sub>	DRIVE/UNIVERSAL	1
08	650527	CB 1/2X1-1/4	12	26	656105	CS M8X25	8
09	654009	FW 1/2	14		656094	CS M8X30	8
10	654030	LW 1/2	14			(BEFORE SN8301-2345 & 10401-2365)	
11	653018	HN 1/2	12	27	656110	LW REG M8	8
12	656050	HN M12-1.75	14	28	650493	CS 3/8X2-3/4	2
13	650495	CS 1/2X1-1/4	2	29	071703	LN 3/8	2
15	656118	LW REG M12	14				
16	650451	CS 7/16X1-1/4	6				

**a) Includes (2) 125476 DANGER Decals & 145218 Orange Reflector Strip.**  
**b) Not available as a Service Part. See specific breakdown pages.**



# DC2365 - CUTTERBAR & SKID SHOES

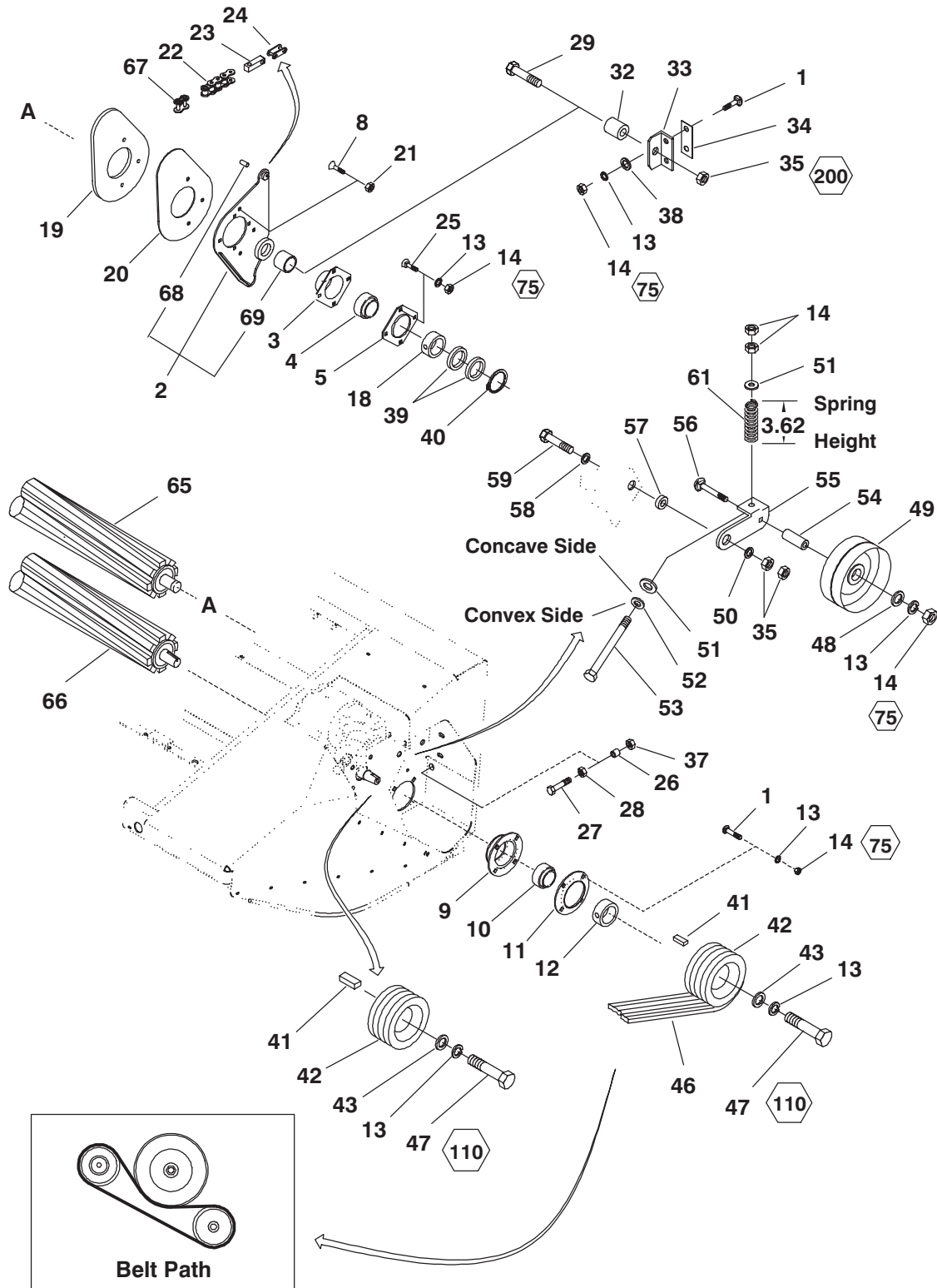


Ref. No.	Part No.	Description	Qty. Req.	Ref. No.	Part No.	Description	Qty. Req.
01	153462 <sup>a</sup>	WELDMENT/8 DISC HEADER	1	20	654006	FW 3/8	28
03	120674	PLATE/CUTTERBAR END	2	21	654046	FW 7/16	6
04	071703	LN 3/8	14	24	113265 <sup>b</sup>	CUTTERBAR/8 DISC	1
05	141334	PLATE/SKID RETAINING	2	25	NS <sup>b</sup>	DRIVE/UNIVERSAL	1
06	650491	CS 3/8X1-1/4	14	26	656105	CS M8X25	8
07	120459	SHOE/SKID ASSY	8			(AFTER SN8300-2345 & 10400-2365)	
08	650527	CB 1/2X1-1/4	14		656094	CS M8X30	8
09	654009	FW 1/2	16			(BEFORE SN8301-2345 & 10401-2365)	
10	654030	LW 1/2	16	27	656110	LW REG M8	8
11	653018	HN 1/2	14	28	650493	CS 3/8X2-3/4	2
12	656050	HN M12-1.75	16	29	071703	LN 3/8	2
13	650495	CS 1/2X1-1/4	2				
15	656118	LW REG M12	16				
16	650451	CS 7/16X1-1/4	6				
19		LOCKTITE					

a) Includes (2) 125476 DANGER Decals & 145218 Orange Reflector Strip.

b) Not available as a Service Part  
See specific breakdown pages.

# DC2345/2365 - ROLLERS & ROLLER DRIVE (LEFT SIDE)

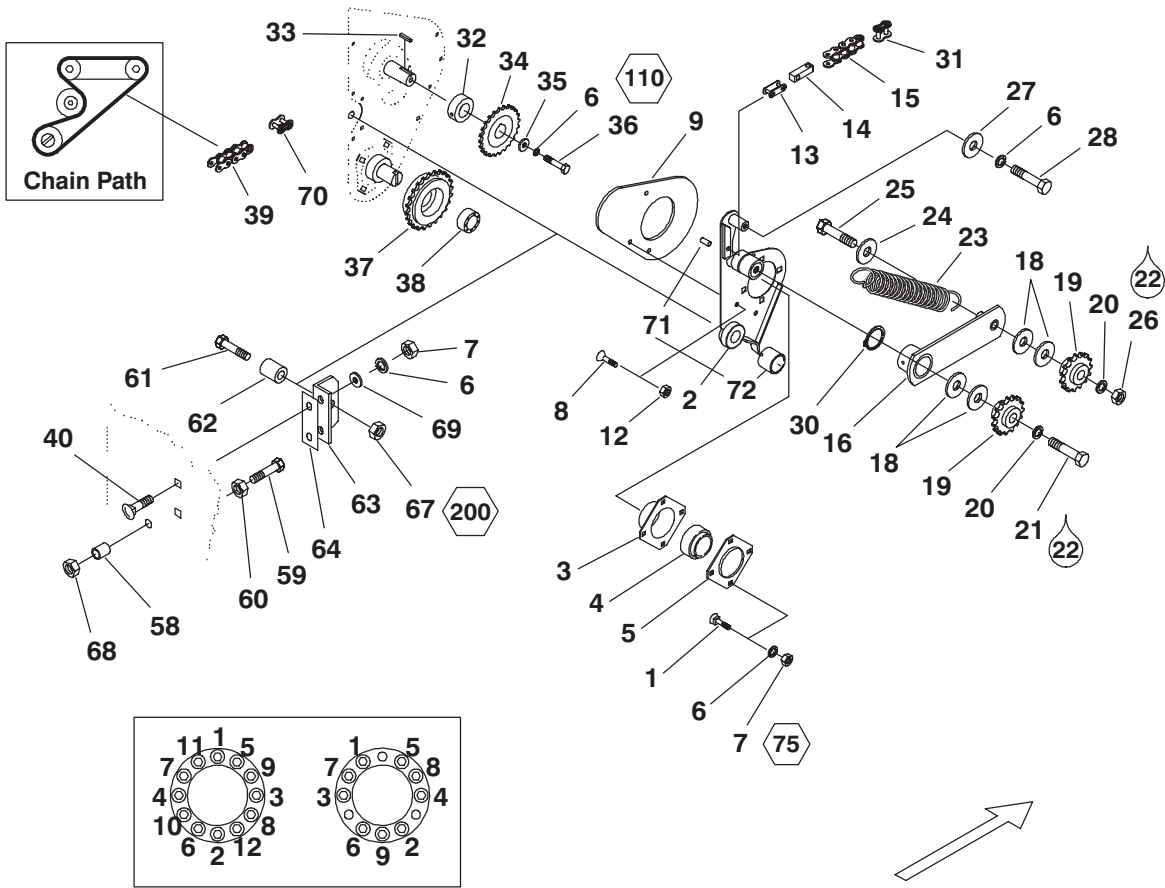




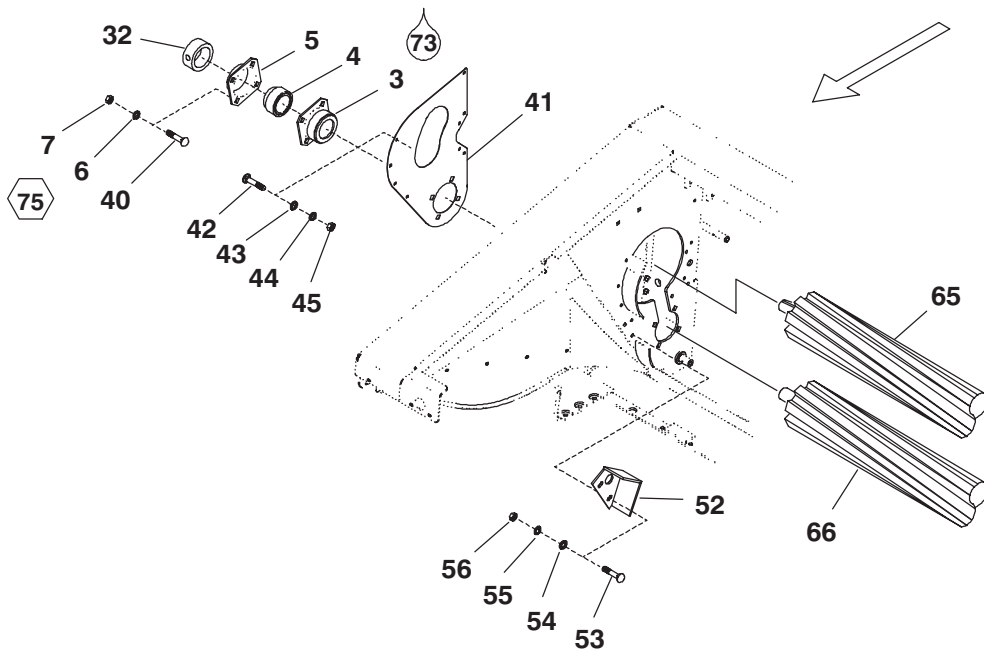
## DC2345/2365 - ROLLERS & ROLLER DRIVE (LEFT SIDE)

Ref. No.	Part No.	Description	Qty. Req.	Ref. No.	Part No.	Description	Qty. Req.
01	650834	CB 1/2X1-1/2	6	32	092079	BUSHING/PIVOT	1
02	124910	ARM/ASSY LT	1	33	097546	PLATE/ROLL PIVOT	1
03	117038	FLANGETTE/ASSY	1	34	098259	SHIM/ROLL PIVOT	AR
04	089872	BEARING/BALL	1	35	064331	NUT/HEX LOCK	3
05	077601	RETAINER/BEARING	1	37	653053	JN 3/4	2
08	650802	FHSC 3/8	3	38	651148	FW 1/2	2
09	117039	FLANGETTE/ASSY	1	39	044090	FW 1-25/32	2
10	089871	BEARING/BALL	1	40	056640	RING/RETAINING	1
11	010-32322	FLANGETTE 100MM	1	41	066895	KEY/TRANS	2
12	089867	COLLAR/BEARING	1	42	124690	SHEAVE/ASSY	2
13	654030	LW 1/2 (BEFORE SN9834-2345 & SN11737-2365)	8	43	057557	FW 17/32	2
14	210-19532	FLN 1/2 (AFTER SN9833-2345 & SN11736-2365)	8	46	119783	BELT/4-V-B	1
	653018	HN 1/2 (BEFORE SN9834-2345 & SN11737-2365)	8	47	651277	CS 1/2X1-1/2 GR8	2
18	520195	COLLAR/BEARING	2	48	079003	FW 17/32	1
19	124904	SHIELD/PLASTIC	1	49	099112	IDLER/BELT	1
20	124905	SHIELD/METAL	1	50	069226	FW 25/32	1
21	071703	LN 3/8	3	51	654009	FW 1/2	2
22	144537	CHAIN/ROLLER #60X16 (2345)	1	52	055142	WASHER/BELLEVILLE	1
	144538	CHAIN/ROLLER #60X30 (2365) (AFTER SN7800-2345 & SN9800-2365)	1	53	600595	CS 1/2X11	1
	125077	CHAIN/ROLL TENSION #60X21L (2345)	1	54	097668	SPACER/BELT IDLER	1
	141335	CHAIN/ROLL TENSION #60X39L (2365) (BEFORE SN7801-2345 & SN9801-2365)	1	55	097662	PLATE/IDLER	1
23	092082	BLOCK/CHAIN ASSY	1	56	651275	PB 1/2X4	1
24	070643	LINK/CONNECTOR	1	57	097667	BUSHING/BELT PIVOT	1
25	650926	PB 1/2X1-1/2	4	58	654014	FW 3/4	1
26	080477	BUSHING/BRONZE	1	59	650711	CS 3/4X3	1
27	125094	CS 3/4X2-3/4 GR8	1	61	380-25728	SPRING	1
28	653029	HN 3/4	1	65	125503	ROLLER/TICOR UPP LT SPIRAL (2345)	1
29	650479	CS 3/4X2-3/4	1		120695	ROLLER/TICOR UPP LT SPIRAL (2365)	1
				66	125502	ROLLER/TICOR LOW RT SPIRAL (2345)	1
					120694	ROLLER/TICOR LOW RT SPIRAL (2365)	1
				67	500160	LINK/CONNECTOR	2
				68	078060	BUSHING/CHAIN	1
				69	171412	BUSHING/SINTERED	1

# DC2345/2365 - ROLLERS & ROLLER DRIVE (RIGHT SIDE)



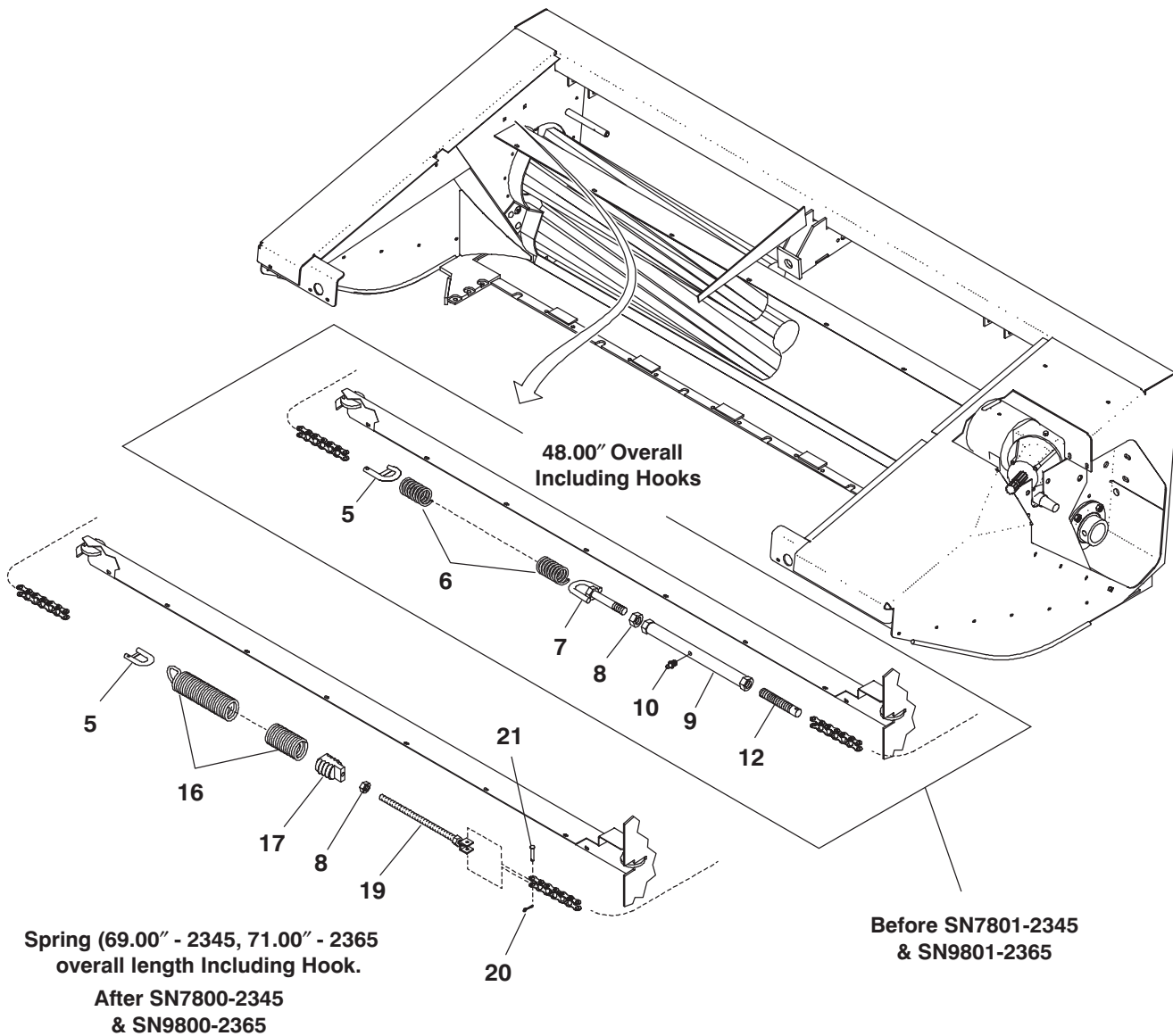
Bolt Tightening Sequence for Timing Sprockets



## DC2345/2365 - ROLLERS & ROLLER DRIVE (RIGHT SIDE)

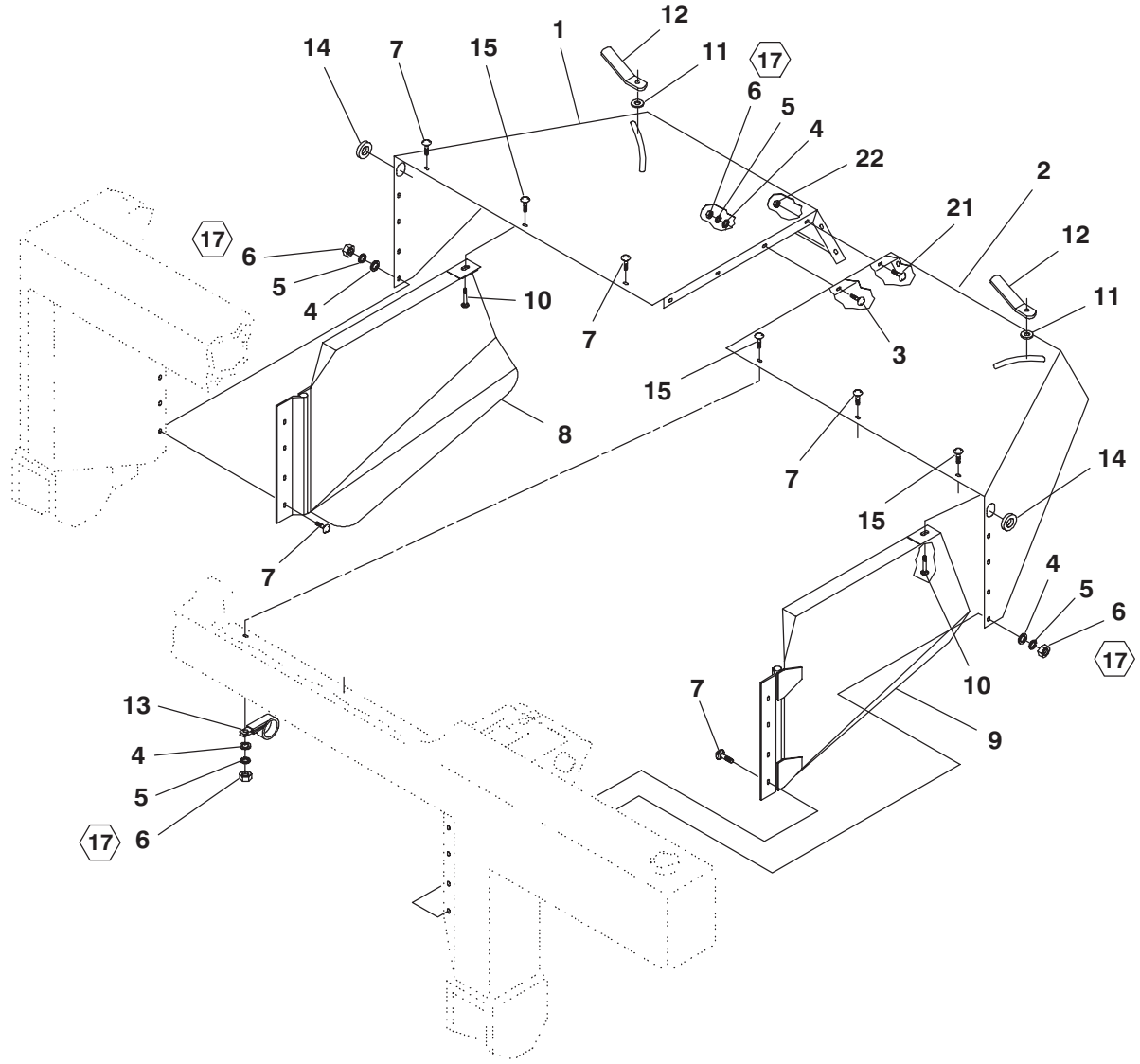
Ref. No.	Part No.	Description	Qty. Req.	Ref. No.	Part No.	Description	Qty. Req.
01	650926	PB 1/2X1-1/2	4	34	124692	SPROCKET/ASSY	1
02	118760	ARM/ASSY RT	1	35	057557	FW 17/32	1
03	117038	FLANGETTE/ASSY	2	36	651277	CS 1/2X1-1/2 GR8	1
04	089872	BEARING/BALL	2	37	115726	SPROCKET/24T	1
05	077601	RETAINER/BEARING	2	38	115727	ELEMENT/LOCKING	1
06	654030	LW 1/2 (BEFORE SN9834-2345 & SN11737-2365)	8	39	124649	CHAIN/ROLLER #60HX80 LINKS	1
07	210-19532	FLN 1/2 (AFTER SN9833-2345 & SN11736-2365)	8	40	650834	CB 1/2X1-1/2	6
	653018	HN 1/2 (BEFORE SN9834-2345 & SN11737-2365)	8	41	124906	SHEET/RT	1
08	650802	FHSC 3/8	3	42	650758	CB 1/4X3/4	9
09	125078	SHIELD/PLASTIC	1	43	654002	FW 1/4	9
12	071703	LN 3/8	3	44	654022	LW 1/4	9
13	070643	LINK/CONNECTOR	1	45	653005	HN 1/4	9
14	092082	BLOCK/CHAIN ASSY	1	52	120638	ROLL COVER/RIGHT CENTER	1
15	144536	CHAIN/ROLLER #60X13 LINKS (AFTER SN7800-2345 & SN9800-2365)	1	53	650573	CB 5/16X1	2
	125077	CHAIN/ROLL TENSION #60X21 LINKS (BEFORE SN7801-2345 & SN9801-2365)	1	54	654004	FW 5/16	2
16	124915	ARM/IDLER ASSY	1	55	654024	LW 5/16	2
18	059450	FW 21/32	4	56	653007	HN 5/16	2
19	124773	SPROCKET/IDLER	2	58	080477	BUSHING/BRONZE	1
20	654032	LW 5/8	2	59	125094	CS 3/4X2-3/4 GR8	1
21	650694	CS 5/8X2-1/2	1	60	653029	HN 3/4	1
22		LOCKTITE		61	650479	CS 3/4X2-3/4	1
23	124655	SPRING/EXTENSION	1	62	092079	BUSHING/PIVOT	1
24	065756	FW 41/64	1	63	097546	PLATE/ROLL PIVOT	1
25	650631	CS 5/8X4	1	64	098259	SHIM/ROLL PIVOT	AR
26	071709	NUT/HEX LOCK	1	65	125503	ROLLER/TICOR UPP LT SPIRAL (2345)	1
27	055447	FW 17/32	1		120695	ROLLER/TICOR UPP LT SPIRAL (2365)	1
28	650495	CS 1/2X1-1/4	1	66	125502	ROLLER/TICOR LOW RT SPIRAL (2345)	1
30	051905	RING/RETAINING	1		120694	ROLLER/TICOR LOW RT SPIRAL (2365)	1
31	500160	LINK/CONNECTOR	2	67	064331	NUT/HEX LOCK	1
32	520195	COLLAR/BEARING	2	68	653053	JN 3/4	1
33	066895	KEY/TRANS	1	69	651148	FW 1/2	2
				70	075951	LINK/CONNECTOR	1
				71	078060	BUSHING/CHAIN	1
				72	171412	BUSHING/SINTERED	1
				73		SEALANT/SILICONE	

# DC2345/2365 - ROLL TENSION SYSTEM



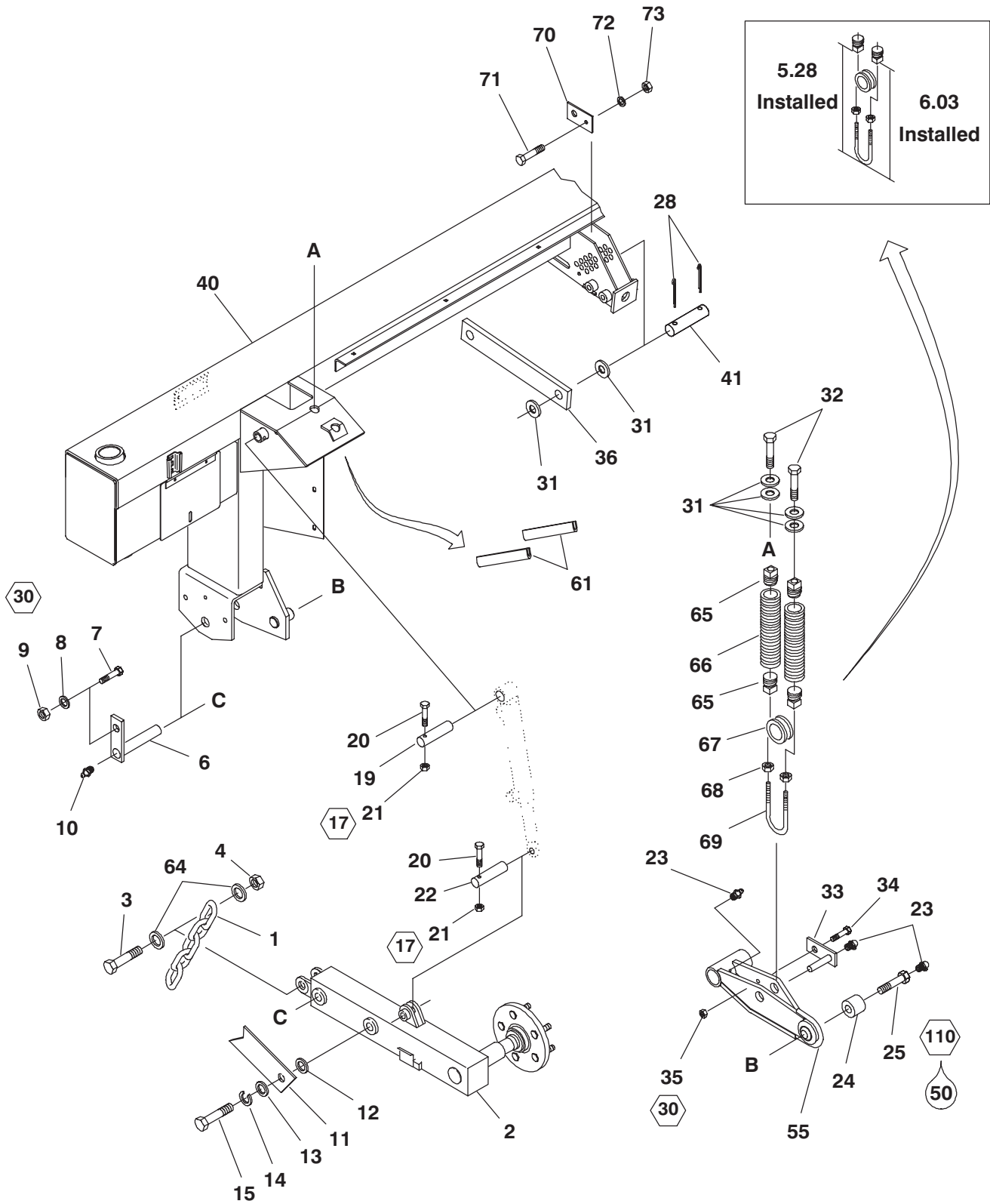
Ref. No.	Part No.	Description	Qty. Req.	Ref. No.	Part No.	Description	Qty. Req.
05	200-32344	CONNECTOR/ROLL SPRING	1	12	030-31861	BOLT/ADJUSTING L.H.	1
06	380-32262	SPRING/EXTENSION	1	16	144070	SPRING/EXTENSION	1
07	030-31859	BOLT/ADJUSTING R.H.	1	17	144269	PLUG/SPRING	1
08	653021	HN 5/8	1	19	144327	TURNBUCKLE/SPRING	1
09	200-32337	TURNBUCKLE	1	20	650590	CP 1/16X1/2	1
10	570014	FITTING/GREASE	1	21	144498	PIN	1

# DC2345/2365 - FORMING CHAMBER



Ref. No.	Part No.	Description	Qty. Req.	Ref. No.	Part No.	Description	Qty. Req.
01	124870	CHAMBER/FORMING RT (2345)	1	08	124876	WINDROWER/ASSY RT (2345)	1
	125370	CHAMBER/FORMING RT (2365)	1		125376	WINDROWER/ASSY RT (2365)	1
02	124871	CHAMBER/FORMING LT (2345)	1	09	124877	WINDROWER/ASSY LT (2345)	1
	125371	CHAMBER/FORMING LT (2365)	1		125377	WINDROWER/ASSY LT (2345)	1
03	650969	CB 5/16X5/8 (2345)	4	10	650834	CB 1/2X1-1/2	2
		CB 5/16X5/8 (2365)	5	11	125081	WASHER/PLASTIC	2
04	654004	FW 5/16 (2345)	18	12	125080	NUT/ADJUSTER 1/2	2
		FW 5/16 (2365)	21	13	097859	CLAMP/HOSE (2345)	3
05	654024	LW 5/16 (2345)	18			CLAMP/HOSE (2365)	4
		LW 5/16 (2365)	21	14	095196	GROMMET	2
06	653007	HN 5/16 (2345)	18	15	650745	CB 5/16X1-1/4 (2345)	3
		HN 5/16 (2365)	21			CB 5/16X1-1/4 (2365)	4
07	650573	CB 5/16X1 (2345)	11	21	650687	CB 5/16X3/4	2
		CB 5/16X1 (2365)	12	22	210-19470	FLN 5/16	2

# DC2345/2365 - TRAILER ASSEMBLY (LEFT)



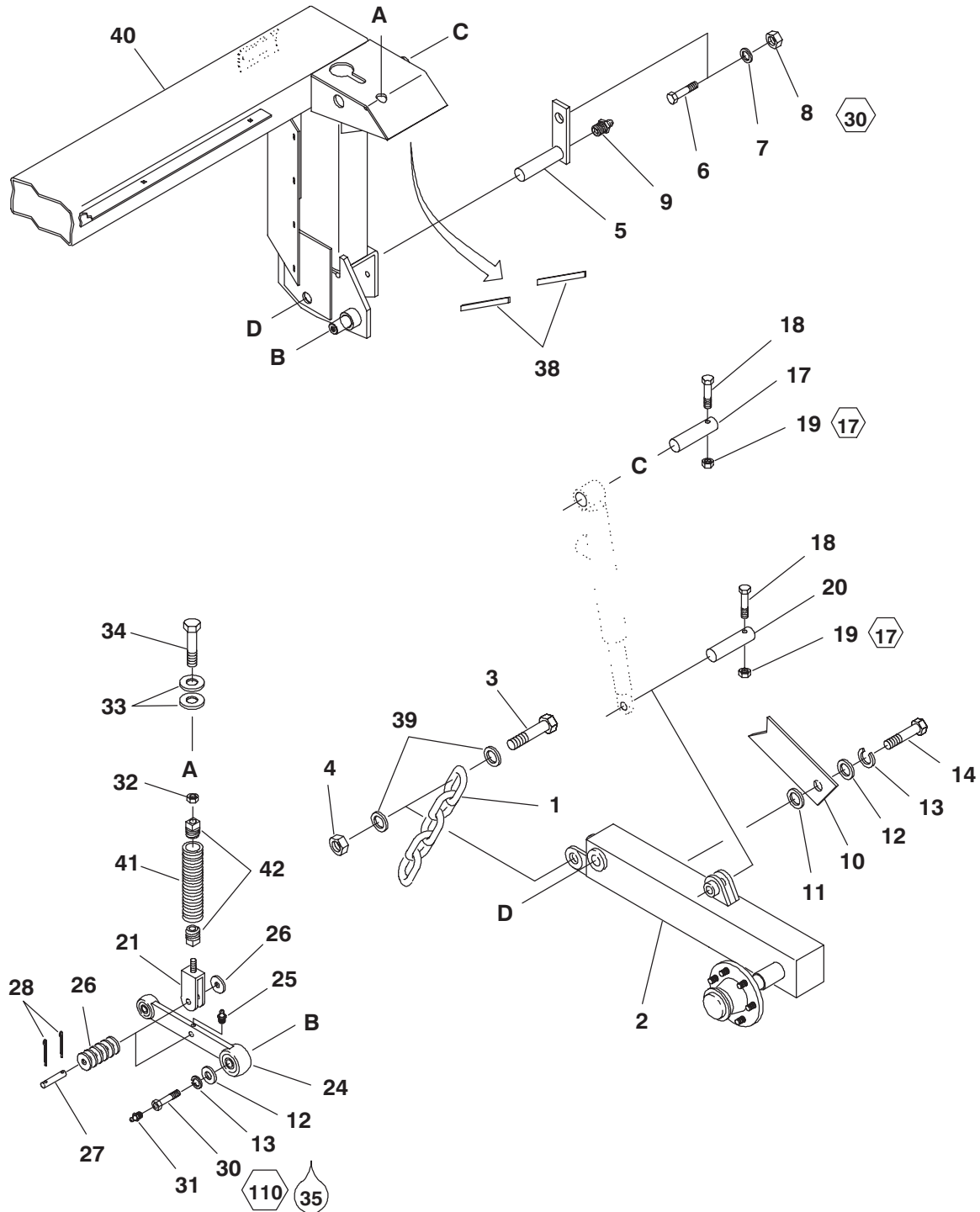
## DC2345/2365 - TRAILER ASSEMBLY (LEFT)

Ref. No.	Part No.	Description	Qty. Req.	Ref. No.	Part No.	Description	Qty. Req.
01	124604	CHAIN/LIFT	1	34	081377	FLS 3/8X1-1/4	1
02	NS <sub>a</sub>	AXLE/LEFT ASSY	1	35	070856	FLN 3/8	1
03	651164	CS 1/2X2-1/4 GR8	1	36	141299	PLATE/TOP LINK	1
04	071706	LN 1/2	1	40	153459 <sub>b</sub>	FRAME/TRAILER ASSY (2345)	1
06	220-32515	WELDMENT/WHEELPIN	1		153460 <sub>b</sub>	FRAME/TRAILER ASSY (2365)	1
07	650491	CS 3/8X1-1/4	1	41	141333	PIN/TOP LINK	1
08	654006	FW 3/8	1	50		LOCKTITE	
09	071703	LN 3/8	1	55	124646	ARM/PUSH ASSY LT	1
10	570002	FITTING/GREASE	1	61	125367	STRIP/TRIM	2
11	200-32504	TRANSPORT/LINK	1	64	651148	FW 1/2	2
12	400-21904	FW 1-9/32	1	65	385-27865	PLUG (2345)	4
13	480-27676	FW 41/64	1		230-27100	PLUG (2365)	4
14	654032	LW 5/8	1	66	380-32350	SPRING (2345)	2
15	651123	CS 5/8X1 GR8	1		126022	SPRING (2365)	2
19	220-32519	PIN/UPPER	1	67	200-32507	PIVOT	1
20	650692	CS 5/16X1-3/4	2	68	653026	HN 3/4	2
21	071701	LN 5/16	2	69	030-31904	BOLT/U	1
22	220-32520	PIN/LOWER	1	70	144081	PLATE/LOCK (AFTER SN7800-2345 & SN9800-2365)	2
23	570014	FITTING/GREASE	3	71	650490	CS 3/8X1 (AFTER SN7800-2345 & SN9800-2365)	2
24	125882	SPACER	1	72	654026	LW 3/8 (AFTER SN7800-2345 & SN9800-2365)	2
25	125883	CS 5/8X2	1	73	653010	HN 3/8 (AFTER SN7800-2345 & SN9800-2365)	2
28	655020	CP 3/16X1-1/2	2				
31	654014	FW 3/4 (AFTER SN7800-2345 & SN9800-2365)	8				
31	654014	FW 3/4 (BEFORE SN7801-2345 & SN9801-2365)	12				
32	030-17662	CS 3/4X11 GR8	2				
33	220-32517	WELDMENT/SPRING PIVOT PIN	1				

a) Not available as a Service Part. See breakdown page.

b) Includes two 045-31404 Bushings, two 115974 WARNING Decals, 145216 Red Reflector Strip, two Amber Reflector Strips and 145218 Orange Reflector Strip.

# DC2345/2365 - TRAILER ASSEMBLY (RIGHT)





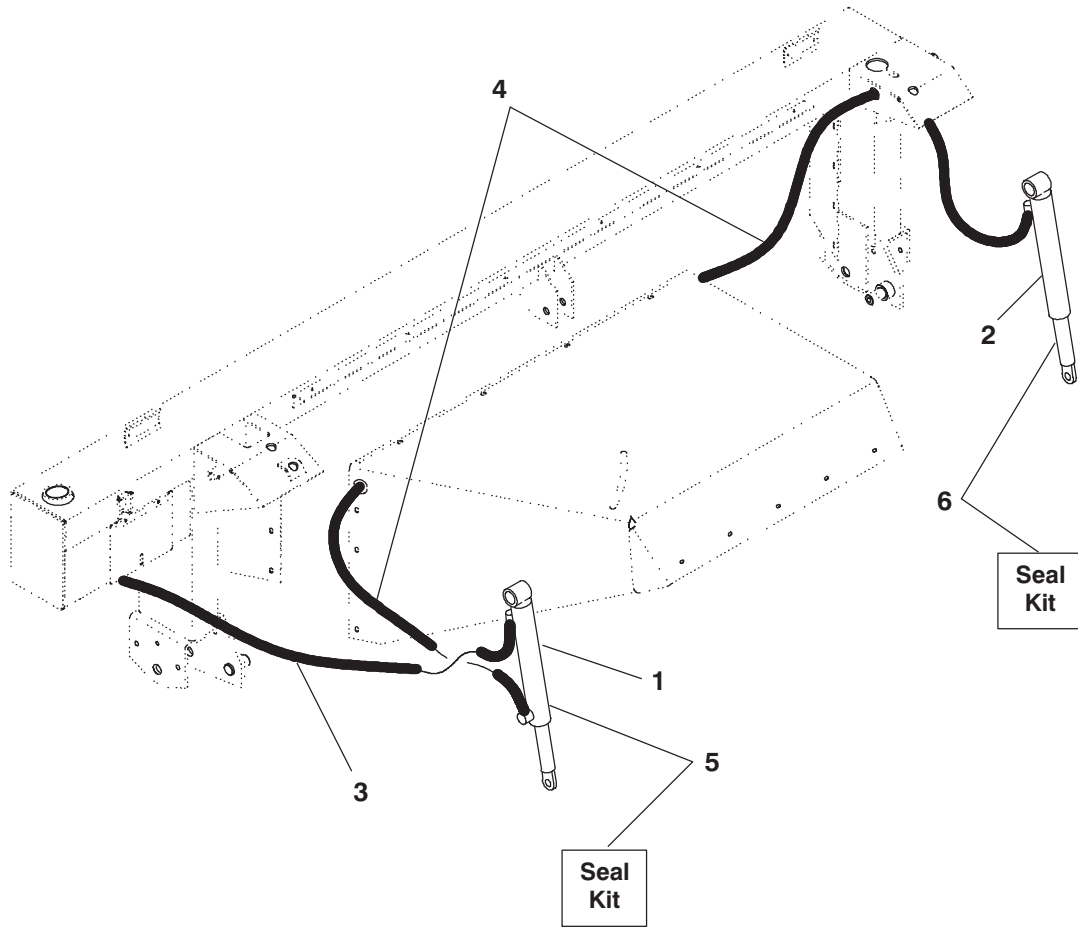
## DC2345/2365 - TRAILER ASSEMBLY (RIGHT)

Ref. No.	Part No.	Description	Qty. Req.	Ref. No.	Part No.	Description	Qty. Req.
01	124604	CHAIN/LIFT .....	1	25	570019	FITTING/GREASE .....	1
02	NS <sub>a</sub>	AXLE/RIGHT ASSY .....	1	26	400-32443	FW 25/32 .....	7
03	651164	CS 1/2X2-1/4 GR8 .....	1	27	220-32518	PIN/PIVOT RH .....	1
04	071706	LN 1/2 .....	1	28	655018	CP 3/16X1-1/4 .....	2
05	220-32515	WELDMENT/WHEELPIN .....	1	30	310-32513	CS 5/8X1 .....	1
06	650491	CS 3/8X1-1/4 .....	1	31	570014	FITTING/GREASE .....	1
07	654006	FW 3/8 .....	1	32	653026	HN 3/4 .....	1
08	071703	LN 3/8 .....	1	33	654014	FW 3/4 .....	2
09	570002	FITTING/GREASE .....	1	34	030-17662	CS 3/4X11 GR8 .....	1
10	200-32504	TRANSPORT/LINK .....	1	35		LOCKTITE	
11	400-21904	FW 1-9/32 .....	1	38	125367	STRIP/TRIM .....	2
12	480-27676	FW 41/64 .....	2	39	651148	FW 1/2 .....	2
13	654032	LW 5/8 .....	2	40	153459 <sub>b</sub>	FRAME/TRAILER ASSY (2345) .....	1
14	651123	CS 5/8X1 GR8 .....	1		153460 <sub>b</sub>	FRAME/TRAILER ASSY (2365) .....	1
17	220-32519	PIN/UPPER .....	1	41	126022	SPRING .....	1
18	650692	CS 5/16X1-3/4 .....	2	42	230-27100	PLUG .....	2
19	071701	LN 5/16 .....	2				
20	220-32520	PIN/LOWER .....	1				
21	126023	BRACKET/SPRING ASSY .....	1				
24	124636	ARM/PUSH ASSY .....	1				

a) Not available as a Service Part. See breakdown page.

b) Includes two 045-31404 Bushings, two 115974 WARNING Decals, 145216 Red Reflector Strip, two Amber Reflector Strips and 145218 Orange Reflector Strip.

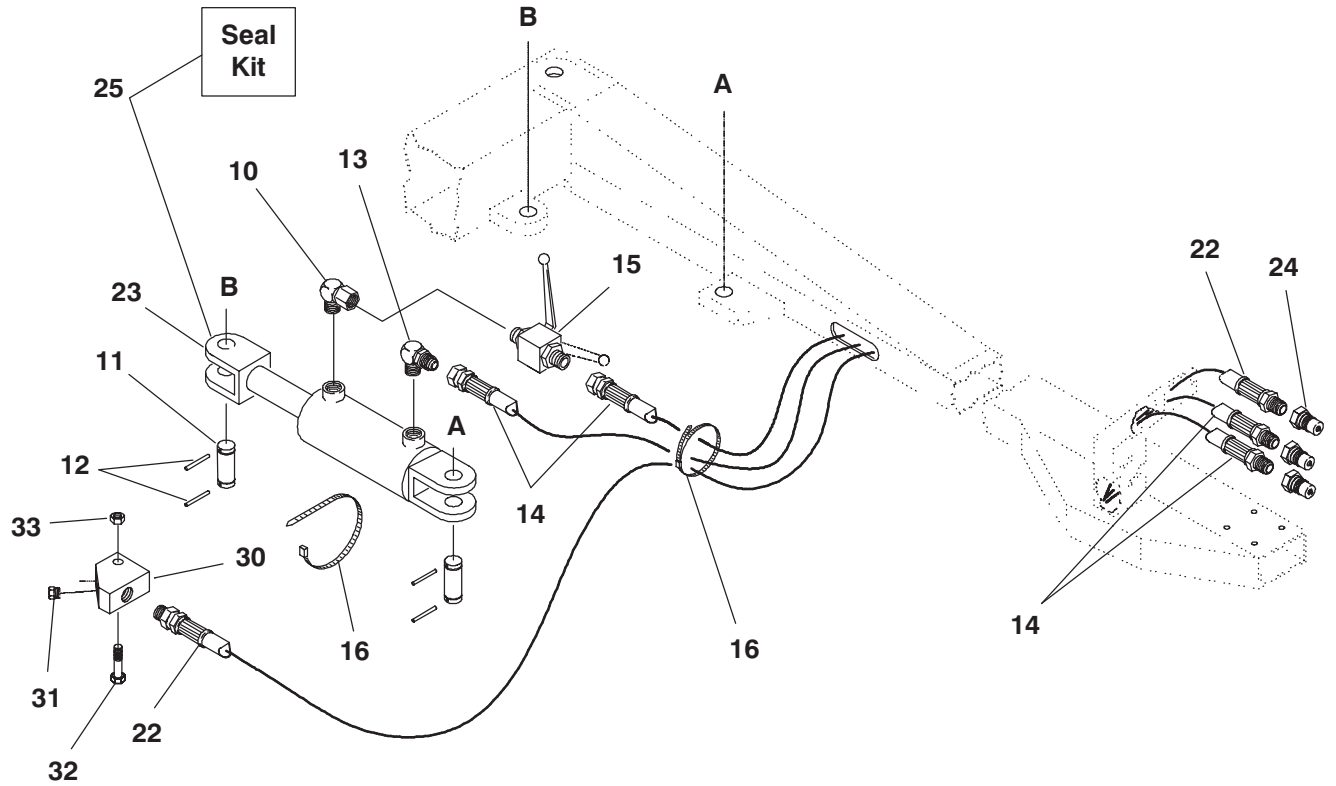
# DC2345/2365 - HYDRAULICS - LIFT



Ref. No.	Part No.	Description	Qty. Req.	Ref. No.	Part No.	Description	Qty. Req.
01	117085	CYLINDER/HYDRAULIC .....	1	04	124654	HOSE/ASSY (2345) .....	1
02	153463 <sub>a</sub>	CYLINDER/HYDRAULIC .....	1		125359	HOSE/ASSY (2365) .....	1
03	144885	HOSE/ASSY .....	1	05	093110	KIT/SEAL .....	1
		(AFTER SN7800-2345 & SN 9800-2365)		06	093105	KIT/SEAL .....	1
	125421	HOSE/ASSY .....	1				
		(BEFORE SN7801-2345 & SN 9801-2365)					

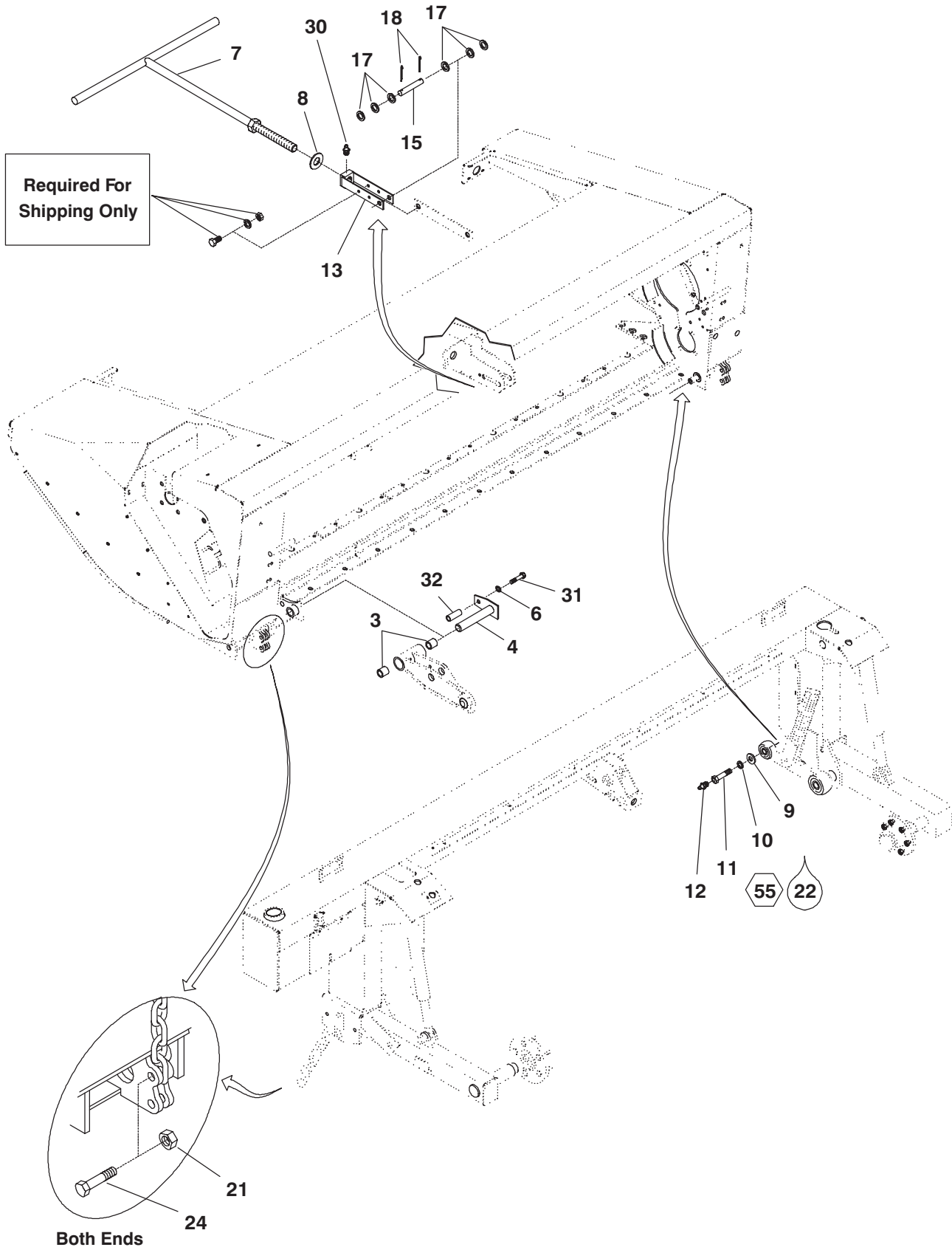
**a) Includes 145216 Red Reflector Strip.**

# DC2345/2365 - HYDRAULICS - DRAWBAR POSITIONER



Ref. No.	Part No.	Description	Qty. Req.	Ref. No.	Part No.	Description	Qty. Req.
10	125347	ELBOW/HYD FITTING 90°	1	23	112795	CYLINDER/HYDRAULIC (2345)	1
11	097918	PIN/CYLINDER	2		125410	CYLINDER/HYDRAULIC (2365)	1
12	074090	PIN/SPRING	4	24	056080	QUICK-DISCONNECT (MALE)	3
13	068938	ELBOW/HYD FITTING 90°	1	25	084159	KIT/SEAL	1
14	125420	HOSE/ASSY	2	30	144564	BLOCK/JUNCTION (AFTER SN7800-2345 & SN 9800-2365)	1
15	125348	VALVE/HYDRAULIC BALL	1	31	122778	PLUG/O-RING 9/16 (AFTER SN7800-2345 & SN 9800-2365)	1
16	088467	TIE/NYLON	2	32	650503	CS 1/2X2-1/2 (AFTER SN7800-2345 & SN 9800-2365)	1
22	144887	HOSE/ASSY (AFTER SN7800-2345 & SN 9800-2365)	1	33	653044	JN 1/2 (AFTER SN7800-2345 & SN 9800-2365)	1
	125421	HOSE/ASSY (BEFORE SN7801-2345 & SN 9801-2365)	1				

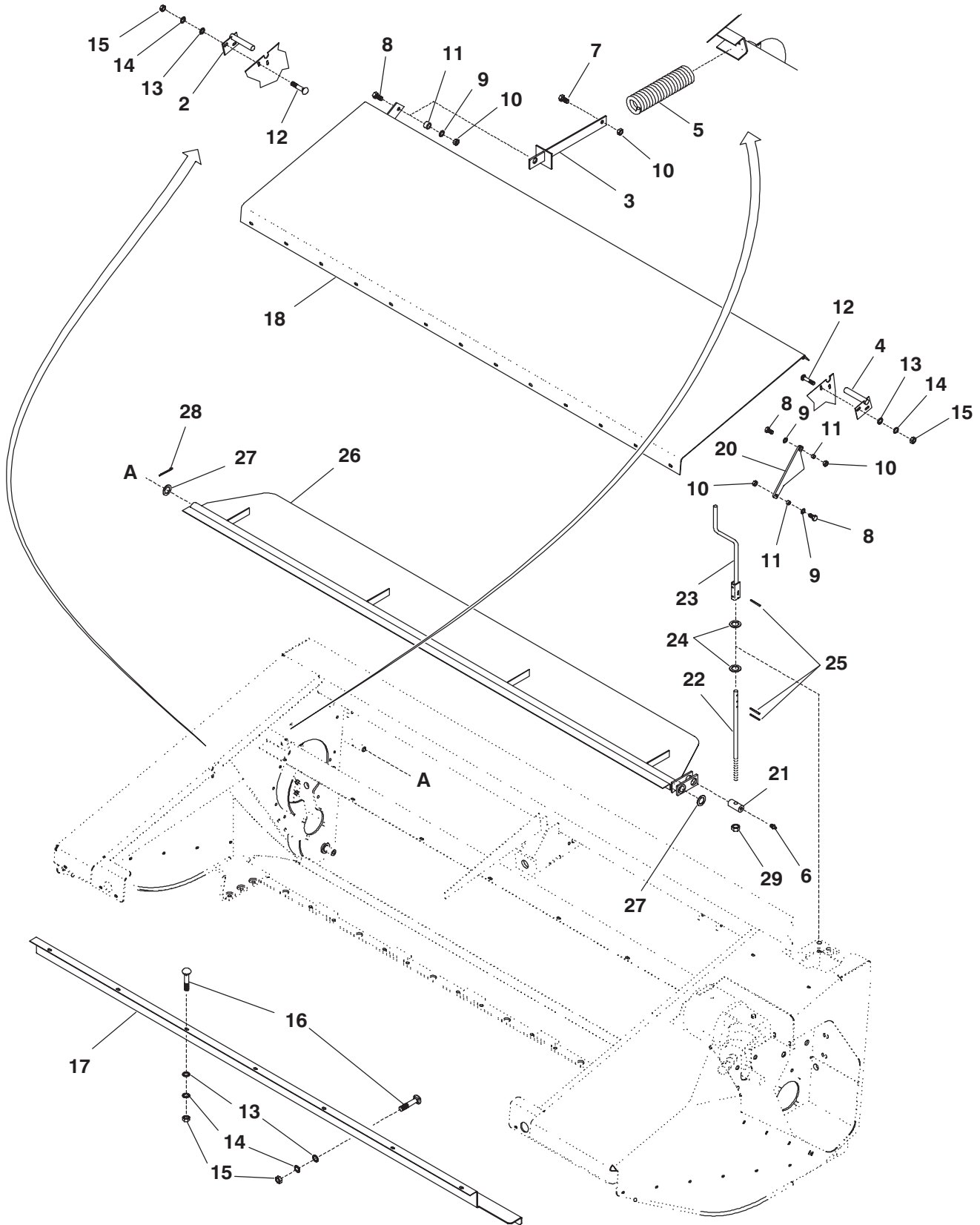
# DC2345/2365 - HEADER TO TRAILER ASSEMBLY



## DC2345/2365 - HEADER TO TRAILER ASSEMBLY

Ref. No.	Part No.	Description	Qty. Req.	Ref. No.	Part No.	Description	Qty. Req.
03	045-31406	BUSHING .....	2	15	141333	PIN/TOP LINK .....	1
04	120676	PIN/PUSH ARM ASSY .....	1	17	654014	FW 3/4 .....	6
06	654006	FW 3/8 .....	1	18	655020	CP 3/16X1-1/2 .....	2
07	141296	WELDMENT/HEIGHT ROD .....	1	21	071706	LN 1/2 .....	2
08	654016	FW 1 .....	1	22		LOCKTITE	
09	057557	FW 17/32 .....	1	24	651164	CS 1/2X2-1/4 GR8 .....	2
10	654030	LW 1/2 .....	2	30	570018	FITTING/GREASE .....	1
11	098828	CS 1/2X1 .....	1	31	650490	CS 3/8X1 (2345) .....	1
12	570014	FITTING/GREASE .....	1		650528	CS 3/8X2 (2365) .....	1
13	141295	WELDMENT/ADJUST LINK .....	1	32	072171	SPACER (2365 ONLY) .....	1

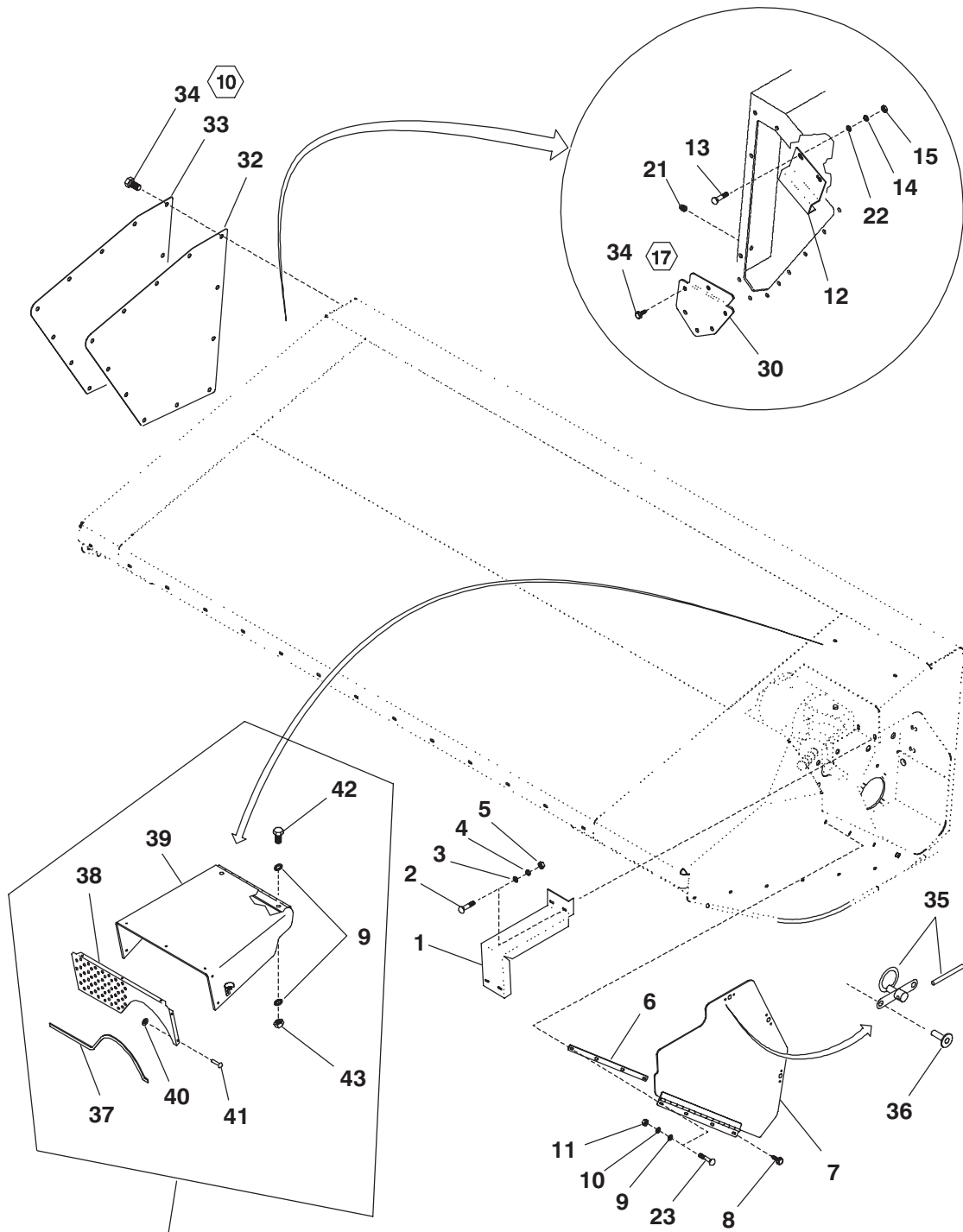
# DC2345/2365 - SHIELDS & COVERS



## DC2345/2365 - SHIELDS & COVERS

Ref. No.	Part No.	Description	Qty. Req.	Ref. No.	Part No.	Description	Qty. Req.
02	120703	WELDMENT/COVER PIVOT RT	1	12	650573	CB 5/16X1	4
03	156371	WELDMENT/LIFT ASSIST (AFTER SN8300-2345 & SN10400-2365)	1	13	650810	FW 5/16	18
	141330	WELDMENT/LIFT ASSIST (BEFORE SN8301-2345 & SN10401-2365)	1	14	654024	LW 5/16	18
04	120702	WELDMENT/COVER PIVOT LT	1	15	653007	HN 5/16	18
05	C14084	SPRING/BELT TENSION	1	16	650687	CB 5/16X3/4	14
06	570019	FITTING/GREASE	1	17	120630	COVER/ROLL SPRING (2345)	1
07	650488	CS 3/8X3/4	1		120692	COVER/ROLL SPRING (2365)	1
08	650491	CS 3/8X1-1/4 (AFTER SN8300-2345 & SN10400-2365)	3	18	141338	WELDMENT/FRONT COVER (2345)	1
		CS 3/8X1-1/4 (BEFORE SN8301-2345 & SN10401-2365)	1		120700	WELDMENT/FRONT COVER (2365)	1
09	654006	FW 3/8 (AFTER SN8300-2345 & SN10400-2365)	4	20	145021	PLATE/COVER STOP (AFTER SN8300-2345 & SN10400-2365)	1
		FW 3/8 (BEFORE SN8301-2345 & SN10401-2365)	2	21	141960	PIN/TAPPED	1
10	071703	LN 3/8 (AFTER SN8300-2345 & SN10400-2365)	4	22	141961	ROD/ADJUSTING	1
		LN 3/8 (BEFORE SN8301-2345 & SN10401-2365)	2	23	141963	WELDMENT/HANDLE	1
11	091716	SPACER (AFTER SN8300-2345 & SN10400-2365)	3	24	654009	FW 1/2	2
		SPACER (BEFORE SN8301-2345 & SN10401-2365)	1	25	057864	PIN/SPRING	3
				26	120716	WELDMENT/DEFLECTOR (2345)	1
					120718	WELDMENT/DEFLECTOR (2365)	1
				27	654051	FW 3/4	2
				28	655020	CP 3/16X1-1/2	1
				29	071706	LN 1/2	1

# DC2345/2365 - SHIELDS & COVERS



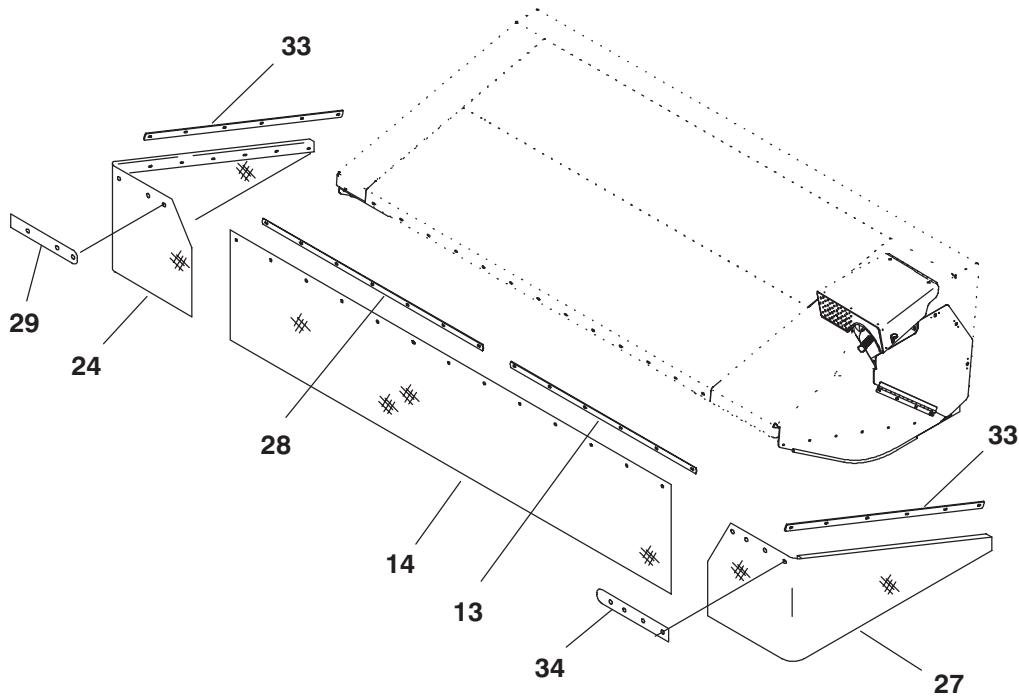
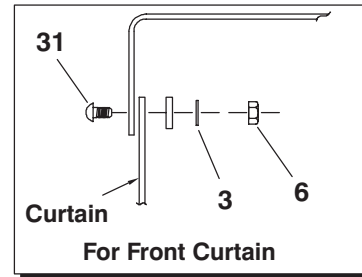
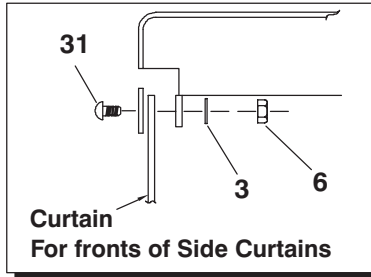
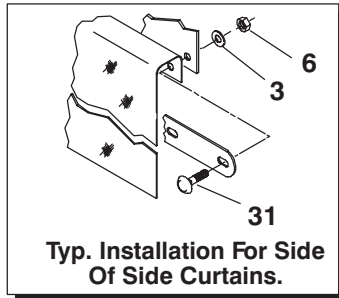
Before SN9801-2345  
& SN11701-2365



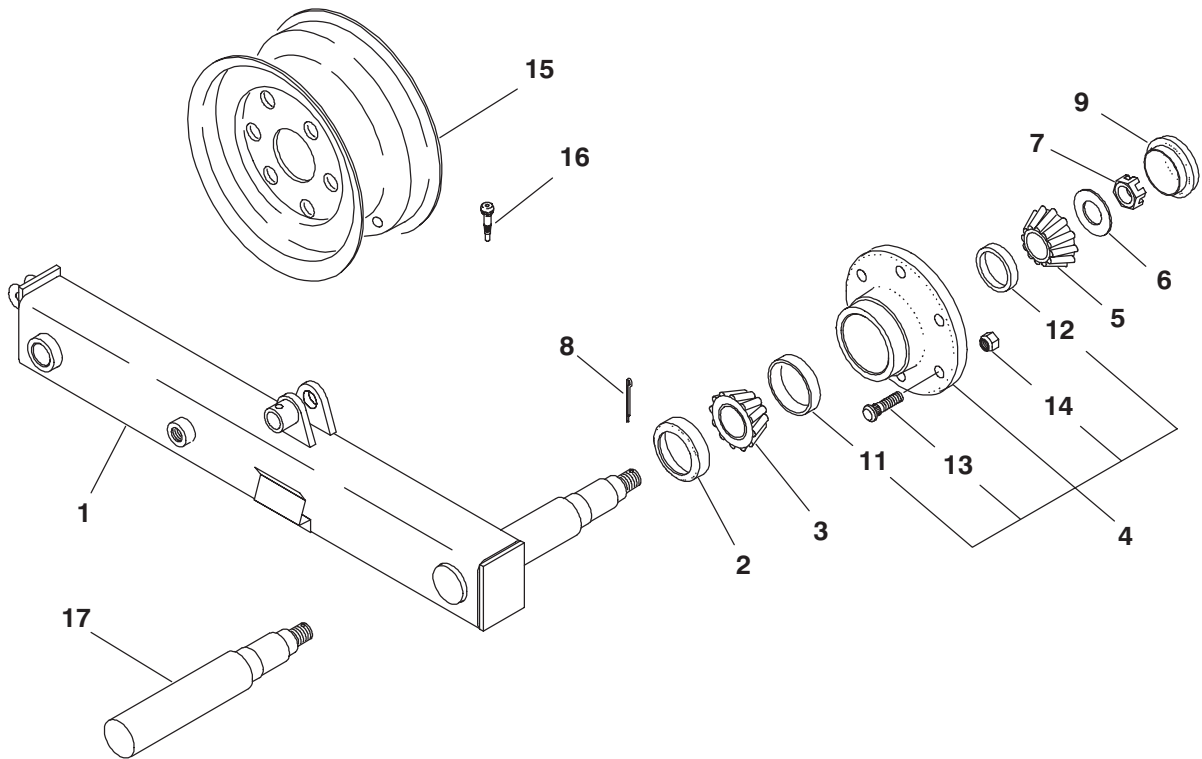
## DC2345/2365 - SHIELDS & COVERS

Ref. No.	Part No.	Description	Qty. Req.	Ref. No.	Part No.	Description	Qty. Req.
01	120656	SHIELD/DUST .....	1	23	650758	CB 1/4X3/4 .....	3
02	650687	CB 5/16X3/4 .....	4	30	126109	COVER/BOTTOM ASSY .....	1
03	650810	FW 5/16 .....	4	32	126298	SEAL .....	1
04	654024	LW 5/16 .....	4	33	126110	COVER/TOP .....	1
05	653007	HN 5/16 .....	4	34	650985	TFS 5/16X3/4 .....	17
06	126346	SHIM .....	1	35	420-33620	SPRING LATCH .....	3
07	120658	WELDMENT/BELT COVER .....	1	36	983-01321	RIVET/POP .....	6
08	651185	RHMS 1/4X3/4 .....	1	37	126442	EDGING/HOOD .....	1
09	654002	FW 1/4 .....	4			(BEFORE SN9801-2345 & SN11701-2365)	
	654002	FW 1/4 .....	8	38	120679	SCREEN/HOOD .....	1
		(BEFORE SN9801-2345 & SN11701-2365)				(BEFORE SN9801-2345 & SN11701-2365)	
10	654022	LW 1/4 .....	4	39	120677	HOOD ASSY .....	1
11	653005	HN 1/4 .....	4			(BEFORE SN9801-2345 & SN11701-2365)	
12	126123	COVER .....	1	40	650606	FW #8 .....	7
13	650704	CB 3/8X1 .....	2			(BEFORE SN9801-2345 & SN11701-2365)	
14	654026	LW 3/8 .....	2	41	079923	RIVET/BLIND .....	7
15	653010	HN 3/8 .....	2			(BEFORE SN9801-2345 & SN11701-2365)	
21	660005	PLUG/PIPE 3/4 .....	1	42	650448	CS 1/4X3/4 .....	2
22	654006	FW 3/8 .....	2			(BEFORE SN9801-2345 & SN11701-2365)	
				43	071700	LN 1/4 .....	2
						(BEFORE SN9801-2345 & SN11701-2365)	

# DC2345/2365 - CURTAINS

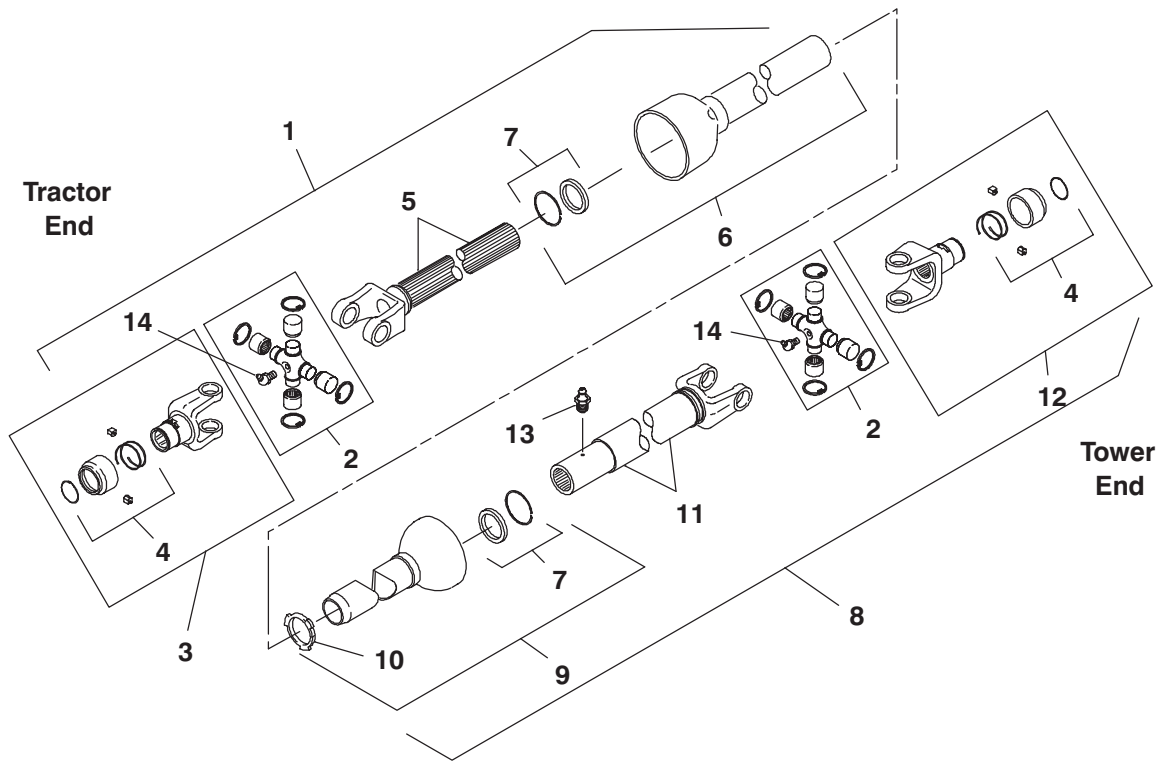


Ref. No.	Part No.	Description	Qty. Req.	Ref. No.	Part No.	Description	Qty. Req.
03	654002	FW 1/4 (2345)	32	24	142118	CURTAIN/SIDE	1
		FW 1/4 (2365)	34	27	141312	CURTAIN/END	1
06	071700	LN 1/4 (2345)	32	28	126281	STRAP/FRONT	1
		LN 1/4 (2365)	34	29	141308	STRAP/RIGHT FRONT	1
13	126280	STRAP/FRONT (2345)	1	31	650758	CB 1/4X3/4 (2345)	32
	126282	STRAP/FRONT (2365)	1			CB 1/4X3/4 (2365)	34
14	141310	CURTAIN/FRONT (2345)	1	33	126280	STRAP/FRONT	2
	141311	CURTAIN/FRONT (2365)	1	34	141309	STRAP/LEFT FRONT	1



Ref. No.	Part No.	Description	Qty. Req.	Ref. No.	Part No.	Description	Qty. Req.
01	124777	LEG/ASSY LT (SHOWN) .....	1	09	076586	CAP/GREASE .....	2
	124776	LEG/ASSY RT (NOT SHOWN) .....	1	11	042162	CUP/WHEEL BEARING .....	2
02	079716	SEAL/GREASE .....	2	12	520054	CUP/BEARING .....	2
03	042163	CONE/WHEEL BEARING .....	2	13	120822	BOLT/WHEEL .....	12
04	091870	HUB/WHEEL ASSY .....	2	14	046001	NUT/WHEEL .....	12
05	520201	CONE/BEARING .....	2	15	126739	WHEEL/RIM (14X8KB DC) .....	2
06	066717	FW 31/32 .....	2	16	045582	VALVE/TIRE .....	2
07	653102	SN 7/8NF .....	2	17	082621	SPINDLE (WELDED IN) .....	2
08	655010	CP 1/8X1-1/2 .....	2				

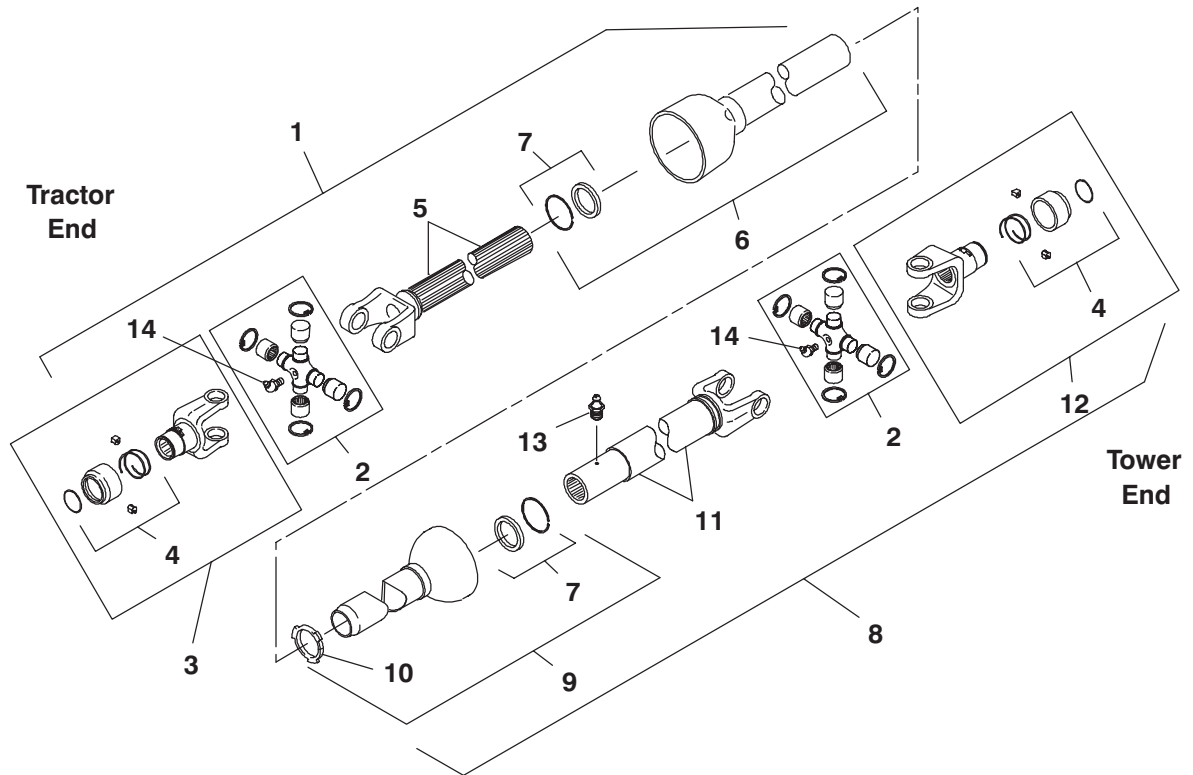
# DC2345/2365 - DRIVELINE, TRACTOR TO TOWER (540 RPM) \_\_\_\_\_



Ref. No.	Part No.	Description	Qty. Req.	Ref. No.	Part No.	Description	Qty. Req.
	118114	DRIVELINE/UNIVERSAL.....	1	08	118119	JT & TUBE HALF .....	1
		CONSISTS OF:		09	118121	GUARD/INNER .....	1
01	118118	JT & SHAFT HALF .....	1	10	118226	CENTRALIZER .....	1
02	078979	KIT/CENTER CROSS .....	2	11	118122 <sub>a</sub>	YOKE & TUBE ASSY .....	1
03	083429	YOKE/1.38-6 SLIDE .....	1	12	125778	YOKE/SLIDE LOCK .....	1
04	095166	KIT/SLIDE LOCK .....	2	13	570014	FITTING/GREASE .....	1
05	125774	YOKE & SHAFT .....	1	14	570004	FITTING/GREASE .....	2
06	118120	GUARD/OUTER .....	1				
07	095129	KIT/REPAIR .....	2				

a) Includes 143007 DANGER Decal.

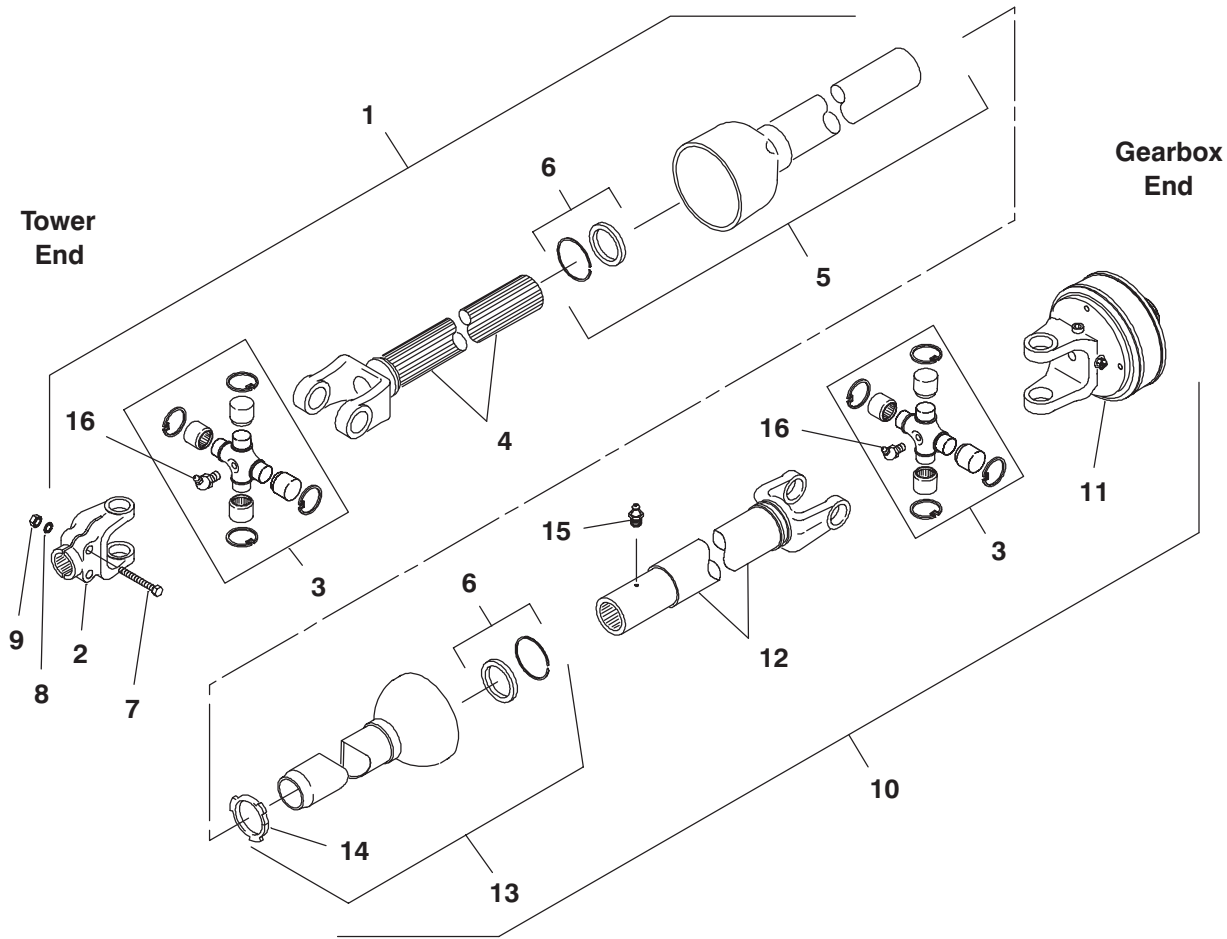
# DC2345/2365 - DRIVELINE, TRACTOR TO TOWER (1000 RPM)



Ref. No.	Part No.	Description	Qty. Req.	Ref. No.	Part No.	Description	Qty. Req.
	118115	DRIVELINE/UNIVERSAL .....	1	08	118124	JT & TUBE HALF .....	1
		CONSISTS OF:		09	118126	GUARD/INNER .....	1
01	118123	JT & SHAFT HALF .....	1	10	118226	CENTRALIZER .....	1
02	078979	KIT/CENTER CROSS .....	2	11	118127 <sub>a</sub>	YOKE & TUBE ASSY .....	1
03	079000	YOKE/SLIDE LOCK ASSY .....	1	12	125778	YOKE/SLIDE LOCK .....	1
04	095166	KIT/SLIDE LOCK .....	2	13	570014	FITTING/GREASE .....	1
05	125784	YOKE W/SHAFT .....	1	14	570004	FITTING/GREASE .....	2
06	118125	GUARD/OUTER .....	1				
07	095129	KIT/REPAIR .....	2				

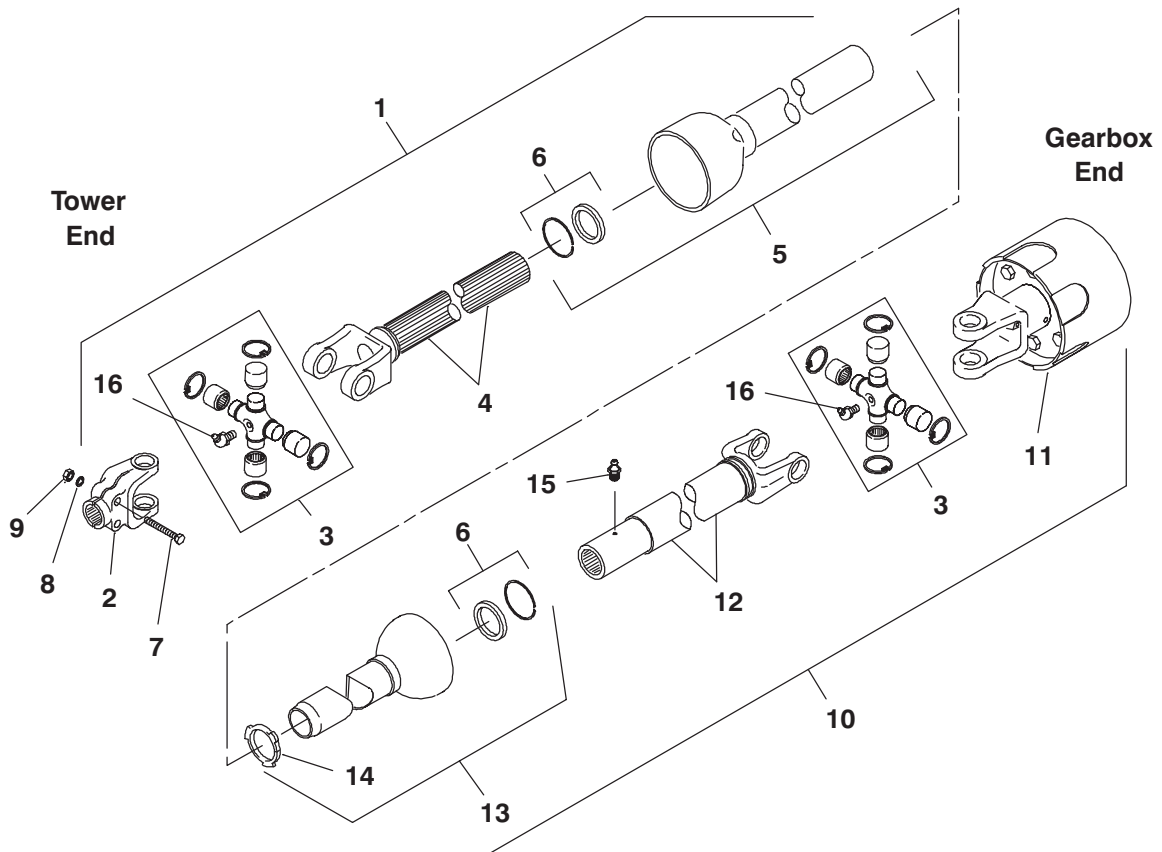
a) Includes 143007 DANGER Decal.

**DC2345/2365 - DRIVELINE, TOWER TO GEARBOX (540 & 1000 RPM) \_\_\_\_\_  
(AFTER SN8300-2345 & SN10400-2365)**



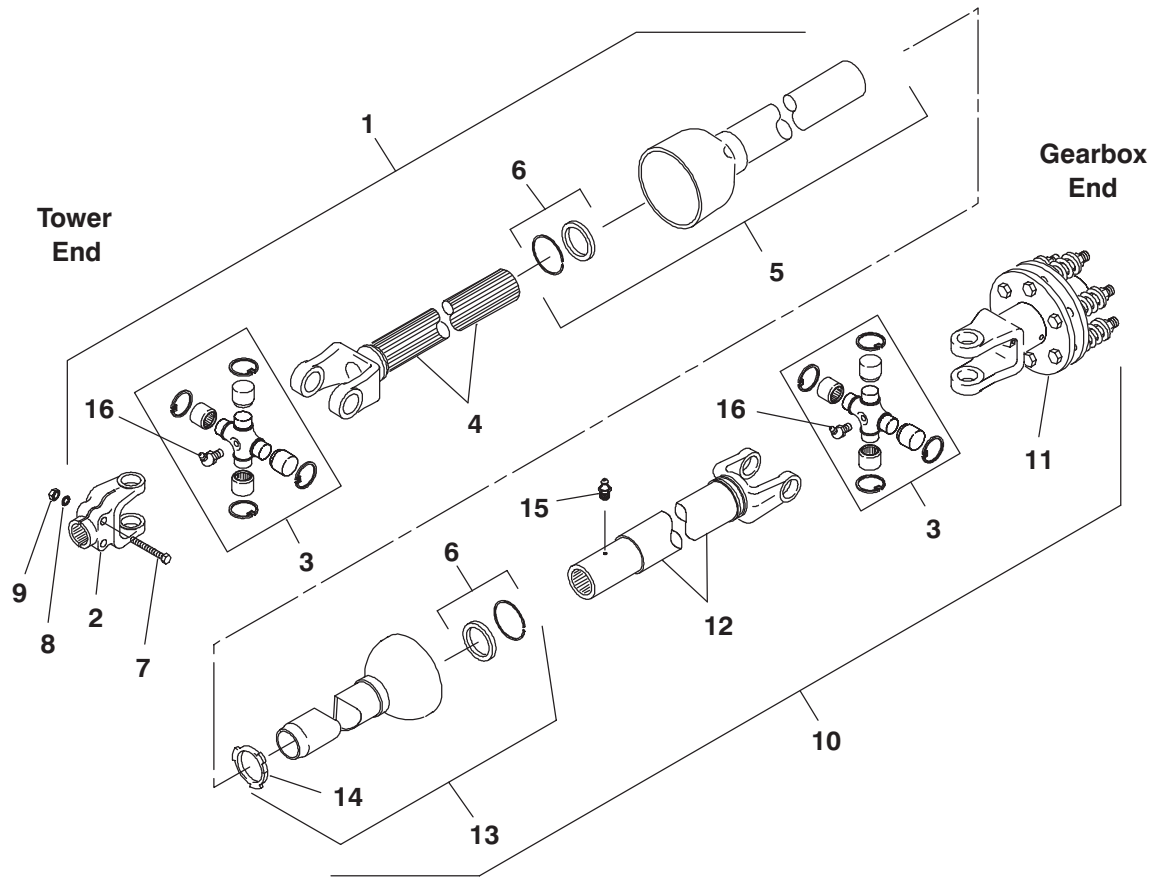
Ref. No.	Part No.	Description	Qty. Req.	Ref. No.	Part No.	Description	Qty. Req.
	156421	DRIVELINE/TOWER TO GEARBOX	1	09	071706	LN 1/2	2
		CONSISTS OF:		10	156422	JOINT & TUBE HALF ASSY	1
01	118128	JT & SHAFT HALF	1	11	156423 <sub>a</sub>	CLUTCH/ASSY FRICTION	1
02	125788	YOKE/DOUBLE CLAMP	1	12	118132 <sub>b</sub>	YOKE & TUBE ASSY	2
03	078979	KIT/CENTER CROSS	2	13	118131	GUARD/INNER	2
04	125789	YOKE & SHAFT ASSY	1	14	118226	CENTRALIZER	2
05	118130	GUARD/OUTER	1	15	570014	FITTING/GREASE	1
06	095129	KIT/REPAIR	2	16	570004	FITTING/GREASE	2
07	651240	CS 1/2X3	2	a) For further breakdown, see page entitled 'Overrunning Clutch (540 & 1000 RPM)'.			
08	654030	LW 1/2	2	b) Includes 143007 DANGER Decal.			

# DC2345/2365 - DRIVELINE, TOWER TO GEARBOX (540 RPM) (BEFORE SN8301-2345 & SN10401-2365)



Ref. No.	Part No.	Description	Qty. Req.	Ref. No.	Part No.	Description	Qty. Req.
	118116	DRIVELINE/UNIVERSAL	1	09	071706	LN 1/2	2
		CONSISTS OF:		10	118129	JT & TUBE HALF	1
01	118128	JT & SHAFT HALF	1	11	115433 <sub>a</sub>	CLUTCH/ASSY (540 RPM)	1
02	125788	YOKE/DOUBLE CLAMP	1	12	118132 <sub>b</sub>	YOKE & TUBE ASSY	2
03	078979	KIT/CENTER CROSS	2	13	118131	GUARD/INNER	2
04	125789	YOKE & SHAFT ASSY	1	14	118226	CENTRALIZER	2
05	118130	GUARD/OUTER	1	15	570014	FITTING/GREASE	1
06	095129	KIT/REPAIR	2	16	570004	FITTING/GREASE	2
07	651240	CS 1/2X3	2	<b>a) For further breakdown, see page entitled 'Overrunning Clutch (540 RPM)'.</b>			
08	654030	LW 1/2	2	<b>b) Includes 143007 DANGER Decal.</b>			

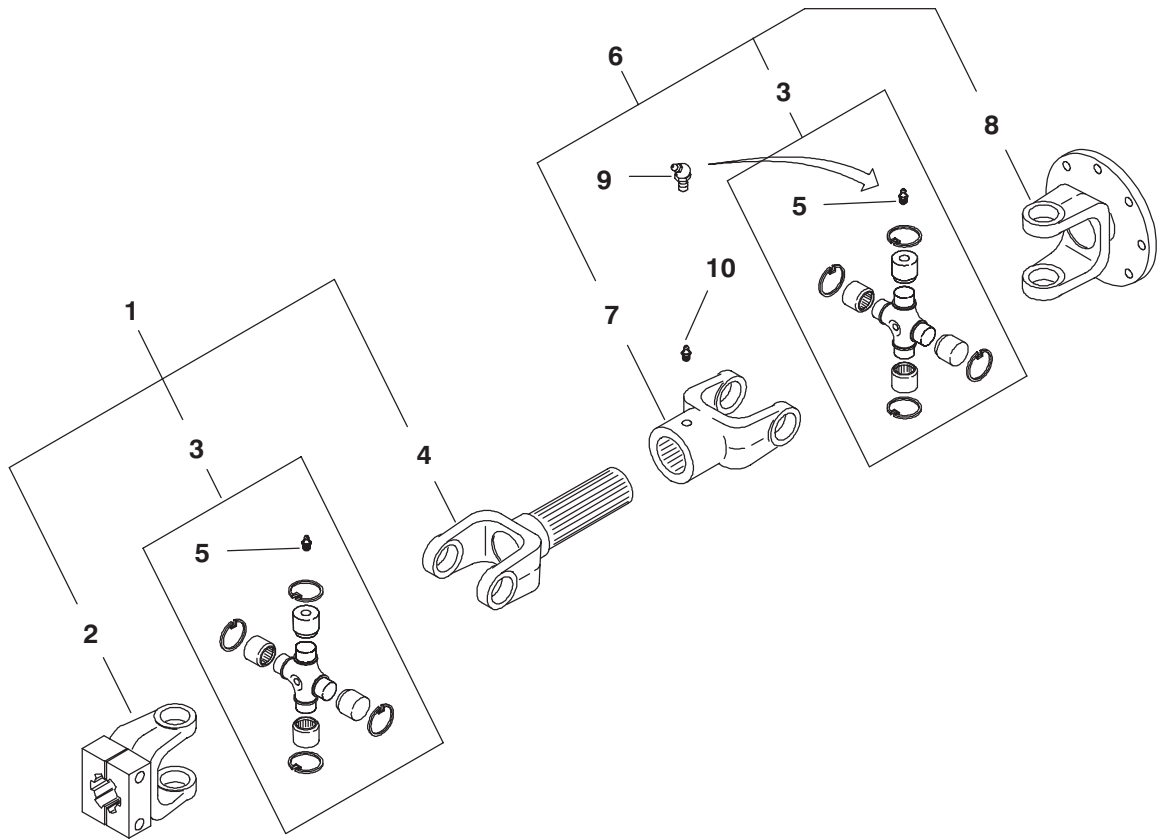
**DC2345/2365 - DRIVELINE, TOWER TO GEARBOX (1000 RPM)**  
**(BEFORE SN8301-2345 & SN10401-2365)**



Ref. No.	Part No.	Description	Qty. Req.	Ref. No.	Part No.	Description	Qty. Req.
	118117	DRIVELINE/UNIVERSAL.....	1	09	071706	LN 1/2 .....	2
		CONSISTS OF:		10	118133	JT & TUBE HALF .....	1
01	118128	JT & SHAFT HALF .....	1	11	097588 <sub>a</sub>	CLUTCH/ASSY (1000 RPM) .....	1
02	125788	YOKE/DOUBLE CLAMP .....	1	12	118132 <sub>b</sub>	YOKE & TUBE ASSY .....	2
03	078979	KIT/CENTER CROSS .....	2	13	118131	GUARD/INNER .....	2
04	125789	YOKE & SHAFT ASSY .....	1	14	118226	CENTRALIZER .....	2
05	118130	GUARD/OUTER .....	1	15	570014	FITTING/GREASE .....	1
06	095129	KIT/REPAIR .....	2	16	570004	FITTING/GREASE .....	2
07	651240	CS 1/2X3 .....	2	a) For further breakdown, see page entitled 'Overrunning Clutch (1000 RPM)'.			
08	654030	LW 1/2 .....	2	b) Includes 143007 DANGER Decal.			



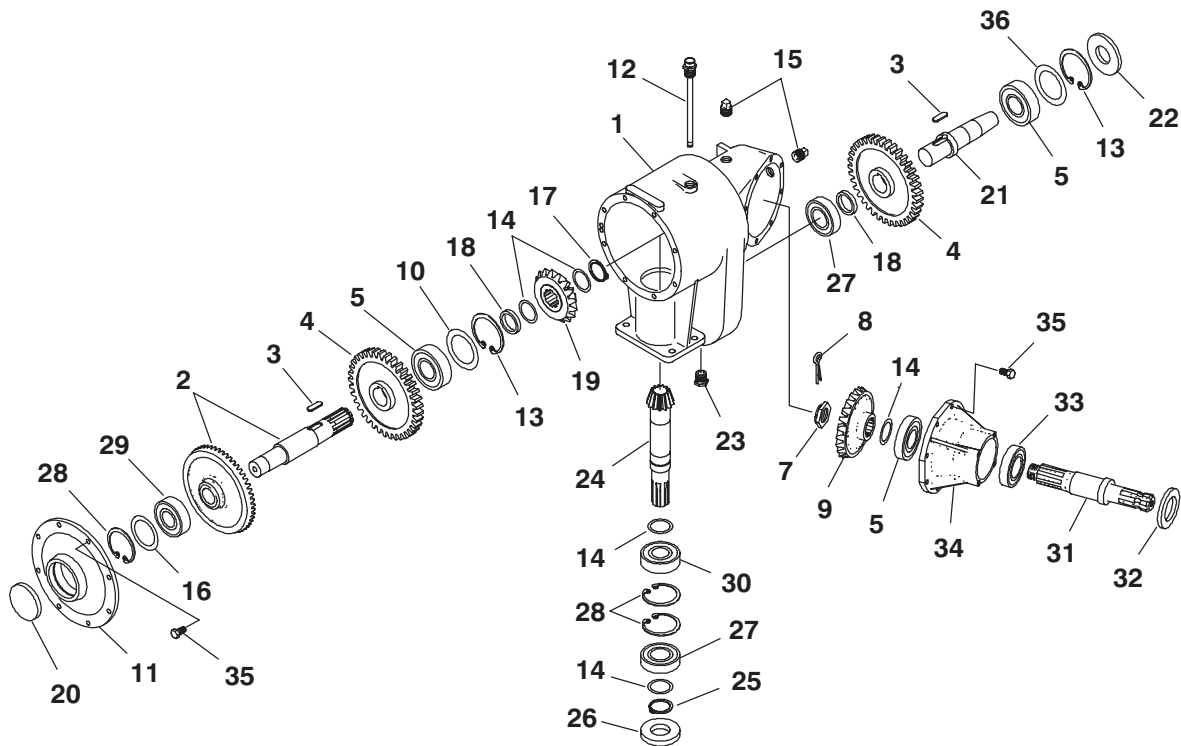
# DC2345/2365 - DRIVELINE, GEARBOX TO CUTTERBAR



Ref. No.	Part No.	Description	Qty. Req.	Ref. No.	Part No.	Description	Qty. Req.
	120218	DRIVELINE/UNIVERSAL .....	1	06	142134	JOINT/TUBE HALF .....	1
		CONSISTS OF:		07	142136	YOKE & TUBE ASSY .....	1
01	142138	JOINT/SHAFT HALF .....	1	08	142137	YOKE & FLANGE .....	1
02	142133	YOKE & CLAMP .....	1	09	143153	FITTING/GREASE .....	1
03	510007	KIT/CENTER CROSS .....	2	10	570019	FITTING/GREASE .....	1
04	142135	YOKE & SHAFT .....	1				
05	570014 <sub>a</sub>	FITTING/GREASE .....	2				

a) A quantity of (1) to be used. The second fitting will be replaced by 143153 (Ref. 9) as indicated.

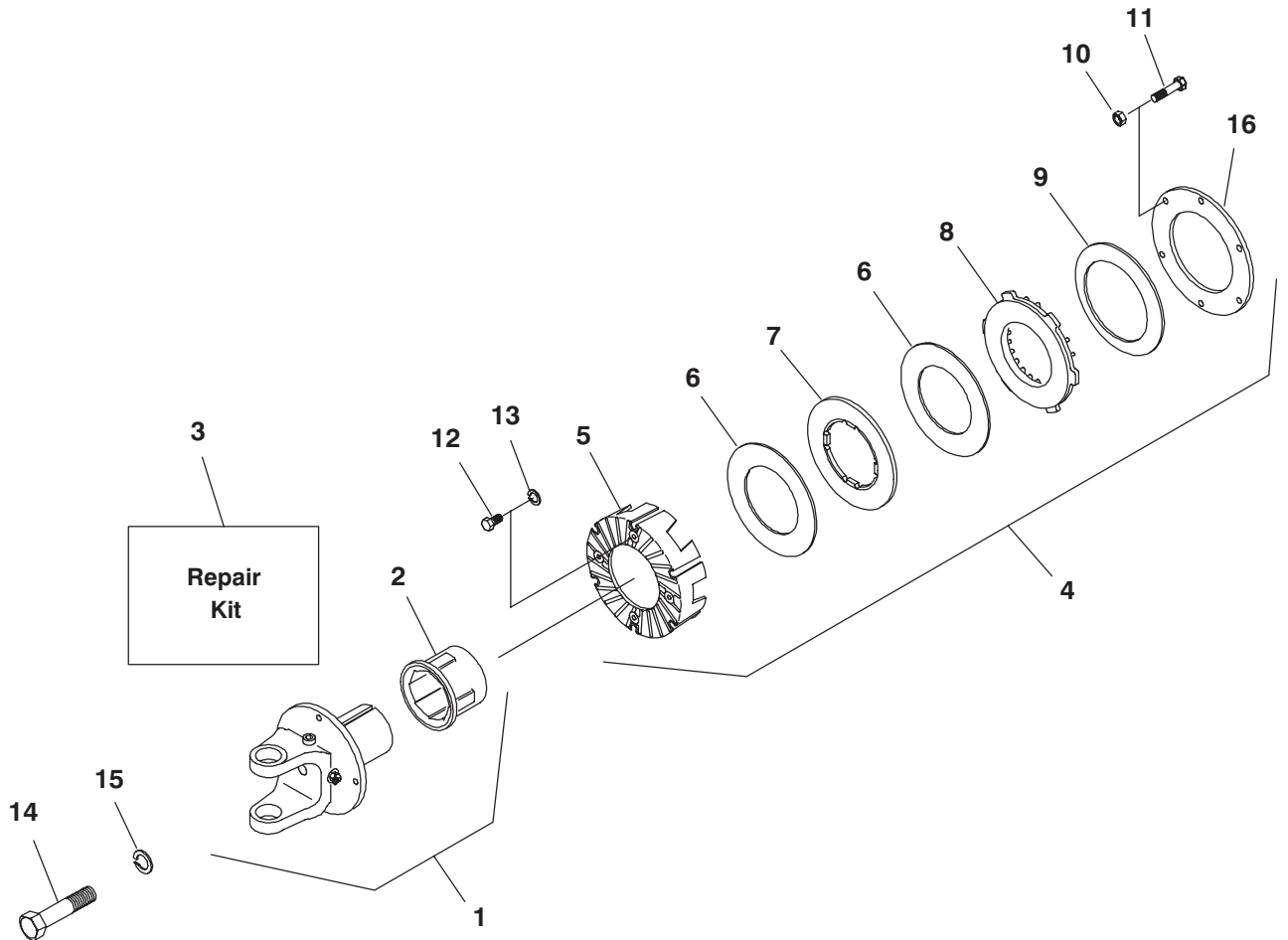
# DC2345/2365 - GEARBOX



Ref. No.	Part No.	Description	Qty. Req.	Ref. No.	Part No.	Description	Qty. Req.
	097528 <sub>a</sub>	GEARBOX/540 RPM .....	1	19	126636	GEAR 17T (540 RPM) (SHOWN) .....	1
	097529 <sub>a</sub>	GEARBOX/1000 RPM .....	1		126645	GEAR 23T (1000 RPM) (NOT SHOWN) .	1
		CONSISTS OF:		20	126646	CAP .....	1
01	126628	CASING .....	1	21	126647	SHAFT .....	1
02	126629	GEAR/SHAFT ASSY .....	1	22	126648	SEAL/OIL .....	1
03	126630	KEY .....	2	23	126649	PLUG .....	1
04	126631	GEAR .....	2	24	126650	SHAFT .....	1
05	126632	BEARING .....	3	25	126651	RING/SNAP .....	1
07	126634	NUT/M30X1.5 .....	1	26	126652	SEAL/OIL .....	1
08	126635	PIN/COTTER .....	1	27	126653	BEARING .....	2
09	126645	GEAR 23T (540 RPM) (SHOWN) .....	1	28	126654	RING/SNAP .....	3
	126636	GEAR 17T (1000 RPM) (NOT SHOWN) .	1	29	126655	BEARING .....	1
10	126637	KIT/SHIM .....	1	30	126656	BEARING .....	1
11	126638	COVER .....	1	31	126657	SHAFT .....	1
12	126639	DIPSTICK .....	1	32	126658	SEAL/OIL .....	1
13	126640	RING/SNAP .....	2	33	126659	BEARING .....	1
14	126641	KIT/SHIM .....	5	34	126660	EXTENSION .....	1
15	089139	PLUG .....	2	35	656132	CS M10-1.50X22 GR8 .....	16
16	126642	KIT/SHIM .....	1	36	126661	KIT/SHIM .....	1
17	126643	RING/SNAP .....	1				
18	126644	SPACER .....	2				

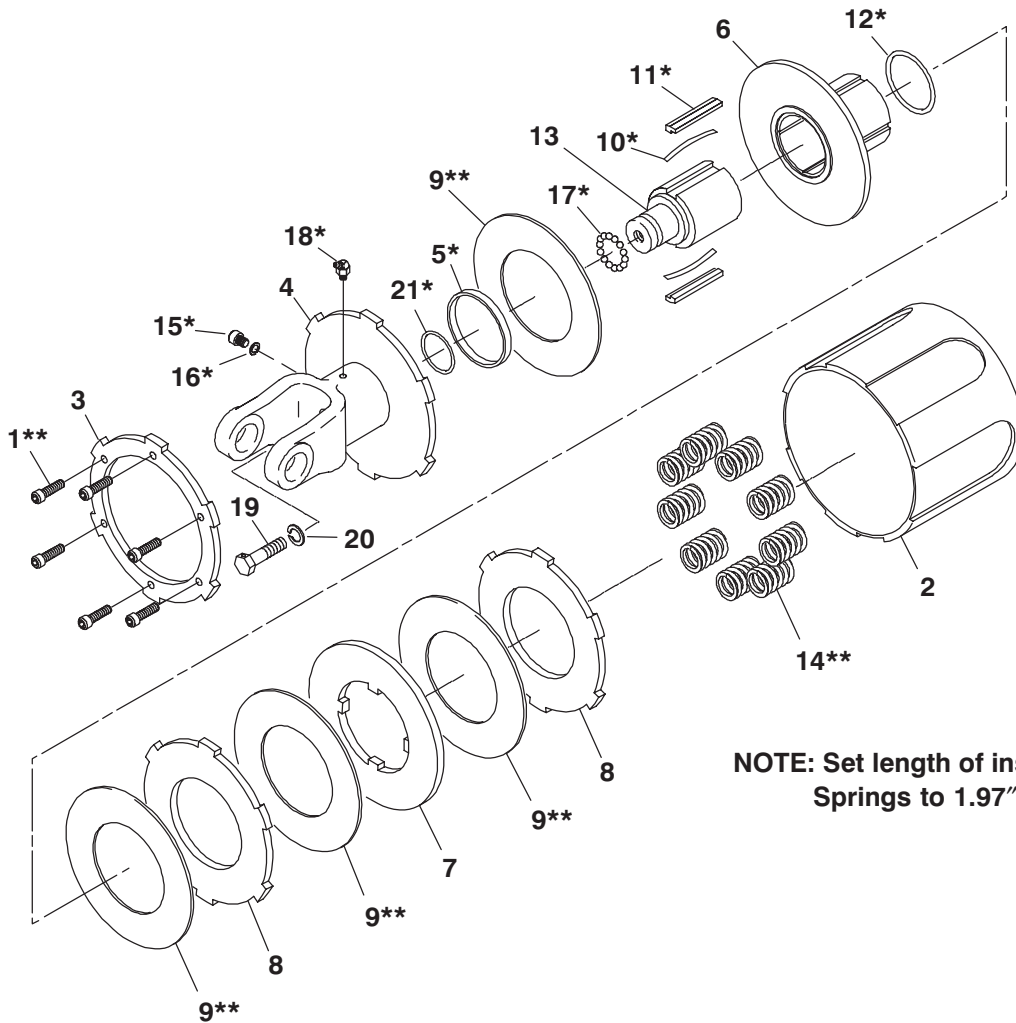
a) Gearbox does NOT include Dipstick.

**DC2345/2365 - OVERRUNNING CLUTCH (540 & 1000 RPM)  
(AFTER SN8300-2345 & SN10400-2365)**



Ref. No.	Part No.	Description	Qty. Req.	Ref. No.	Part No.	Description	Qty. Req.
	156423	CLUTCH ASSY/FRICTION	1	08	143723	PLATE/PRESSURE	1
		CONSISTS OF:		09	156425	SPRING/18,000 IN-LB	1
01	156406	YOKE/OVERRUNNING HUB	1	10	653006	HN 5/16	6
02	156408	HUB/OVERRUNNING	1	11	650733	CS 5/16X2-1/2	6
03	156407	KIT/OVERRUNNING REPAIR	1	12	650487	CS 5/16X1	4
04	155556	FRICTION PACK	1	13	654024	LW 5/16	4
05	143721	HOUSING	1	14	650379	CS 1/2X3	1
06	125871	FRICTION DISC	2	15	654030	LW 1/2	1
07	156424	PLATE/SEPARATOR	1	16	143725	PLATE/COMPRESSION	1

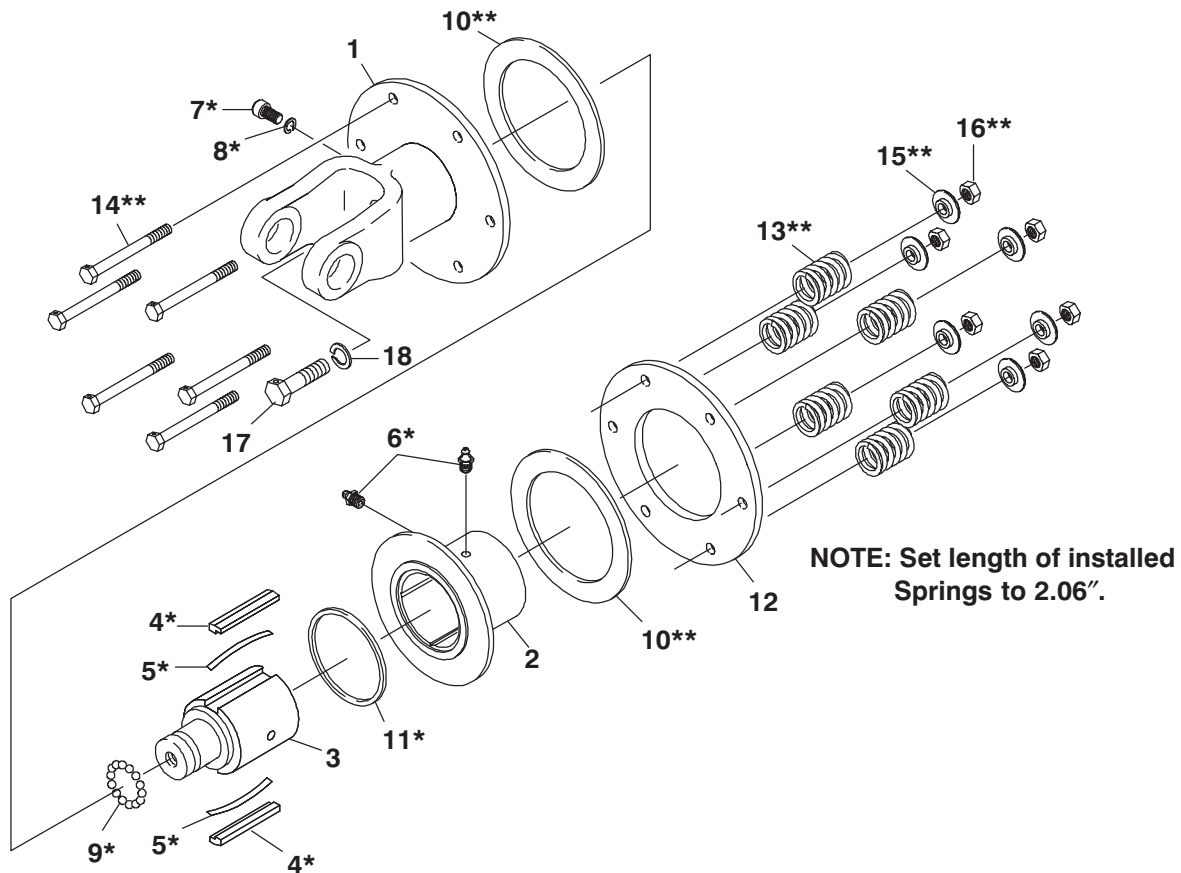
# DC2345/2365 - OVERRUNNING CLUTCH (540 RPM) (BEFORE SN8301-2345 & SN10401-2365)



**NOTE: Set length of installed Springs to 1.97".**

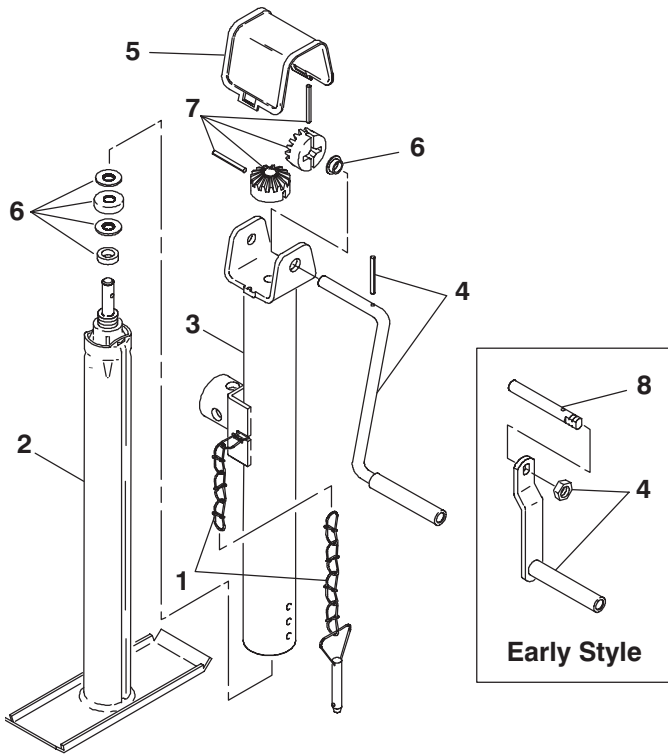
Ref. No.	Part No.	Description	Qty. Req.	Ref. No.	Part No.	Description	Qty. Req.
	115433	CLUTCH/ASSY (540 RPM) .....	1	12	125872	RING/RETAINING .....	1
		CONSISTS OF:		13	125873	INNER DRIVE HUB & EXT .....	1
01	650894	SHCS 5/16X1 .....	6	14	055342	SPRING/CLUTCH .....	9
02	125793	HOUSING/ASSY .....	1	15	055348	SHCS 3/8 .....	1
03	125794	RING\LOCK .....	1	16	654026	LW 3/8 .....	1
04	125795	YOKE & PLATE .....	1	17	125874	BEARING/STEEL BALL 5/16 .....	20
05	125796	RING\GREASE SEAL .....	1	18	570009	FITTING/GREASE .....	1
06	125797	HUB/OVERRUNNING CLUTCH OUTER	1	19	650379	CS 1/2X3 .....	1
07	125798	PLATE/INNER ENGAGED .....	1	20	654030	LW 1/2 .....	1
08	125799	PLATE/OUTER ENGAGED .....	2	21	125875	O-RING .....	1
09	125871	DISC\FRICTION .....	4	*	127042	KIT/CLUTCH OVERRUNNING .....	1
10	055372	SPRING/LEAF .....	2	**	127043	KIT/CLUTCH FRICTION .....	1
11	055371	KEY/DRIVE .....	2				

# DC2345/2365 - OVERRUNNING CLUTCH (1000 RPM) (BEFORE SN8301-2345 & SN10401-2365)

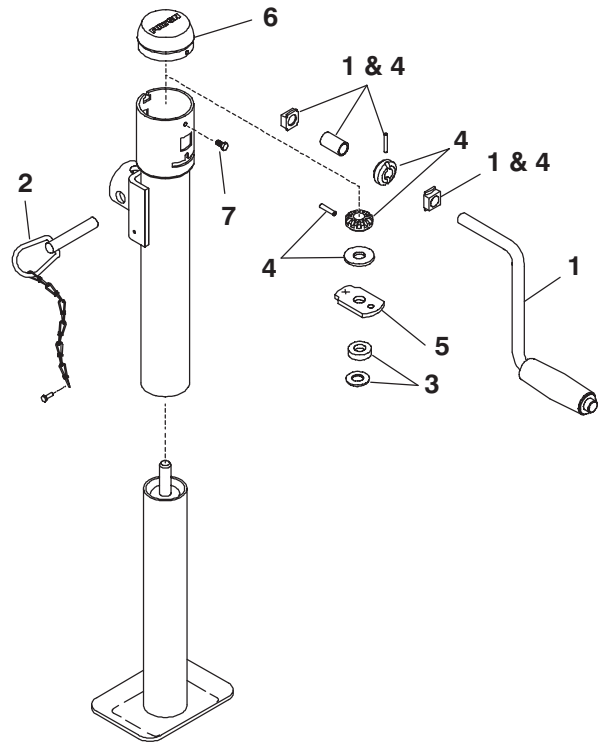


Ref. No.	Part No.	Description	Qty. Req.	Ref. No.	Part No.	Description	Qty. Req.
	097588	CLUTCH/ASSY (1000 RPM) . . . . .	1	10	055343	DISC/FRICTION . . . . .	2
		CONSISTS OF:		11	055344	SEAL . . . . .	1
01	125876	OVERRUNNING YOKE & PLATE ASSY . . . . .	1	12	058623	PLATE/PRESSURE . . . . .	1
02	055347	PRESSURE PLATE & DR HUB . . . . .	1	13	125884	SPRING . . . . .	6
03	125878	HUB/INNER DRIVE . . . . .	1	14	650742	CS 3/8X4 . . . . .	6
04	055371	KEY/DRIVE . . . . .	2	15	125885	WASHER/SPECIAL . . . . .	6
05	055372	SPRING/LEAF . . . . .	2	16	125886	NUT/OVALOK . . . . .	6
06	570002	FITTING/GREASE . . . . .	2	17	650379	CS 1/2X3 . . . . .	1
07	055348	SHCS 3/8 . . . . .	1	18	654030	LW 1/2 . . . . .	1
08	654026	LW 3/8 . . . . .	1	*	127040	KIT/CLUTCH OVERRUNNING . . . . .	1
09	125874	BEARING/STEEL BALL 5/16 . . . . .	14	**	127041	KIT/CLUTCH FRICTION . . . . .	1

# DC2345/2365 - HITCHJACK



**WESBAR**



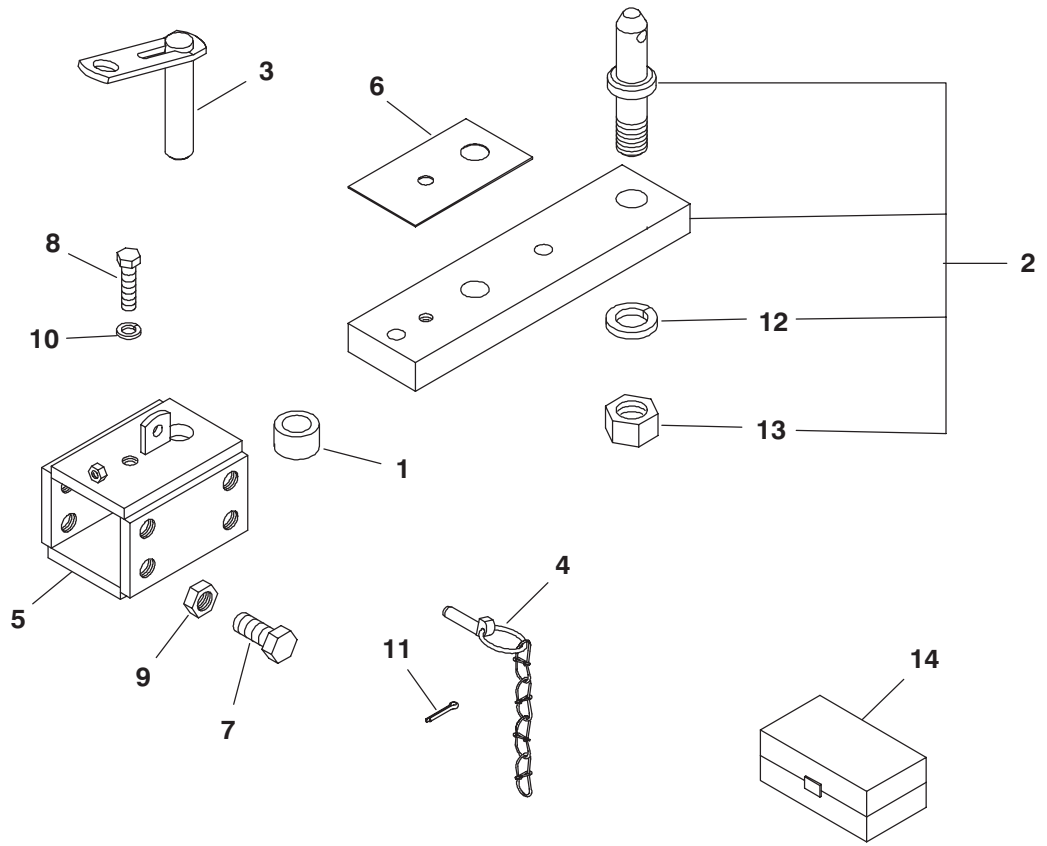
**FULTON**

Ref. No.	Part No.	Description	Qty. Req.
	088841 <sub>a</sub>	HITCHJACK - WESBAR .....	1
		CONSISTS OF:	
01	061276	PIN & CHAIN .....	1
02	081462	TUBE/INNER ASSY .....	1
03	092021	TUBE/OUTER .....	1
04	126735	HANDLE (LATER STYLE) .....	1
	081463 <sub>b</sub>	HANDLE & NUT (EARLY STYLE) .....	1
05	077838	CAP/TOP .....	1
06	094283	KIT/INTERNAL PARTS .....	1
07	077836	KIT/GEAR .....	1
08	077839 <sub>b</sub>	SHAFT/CROSS.....	1

a) Replaced by 143470.

b) Replaced by 126735 later style Handle.

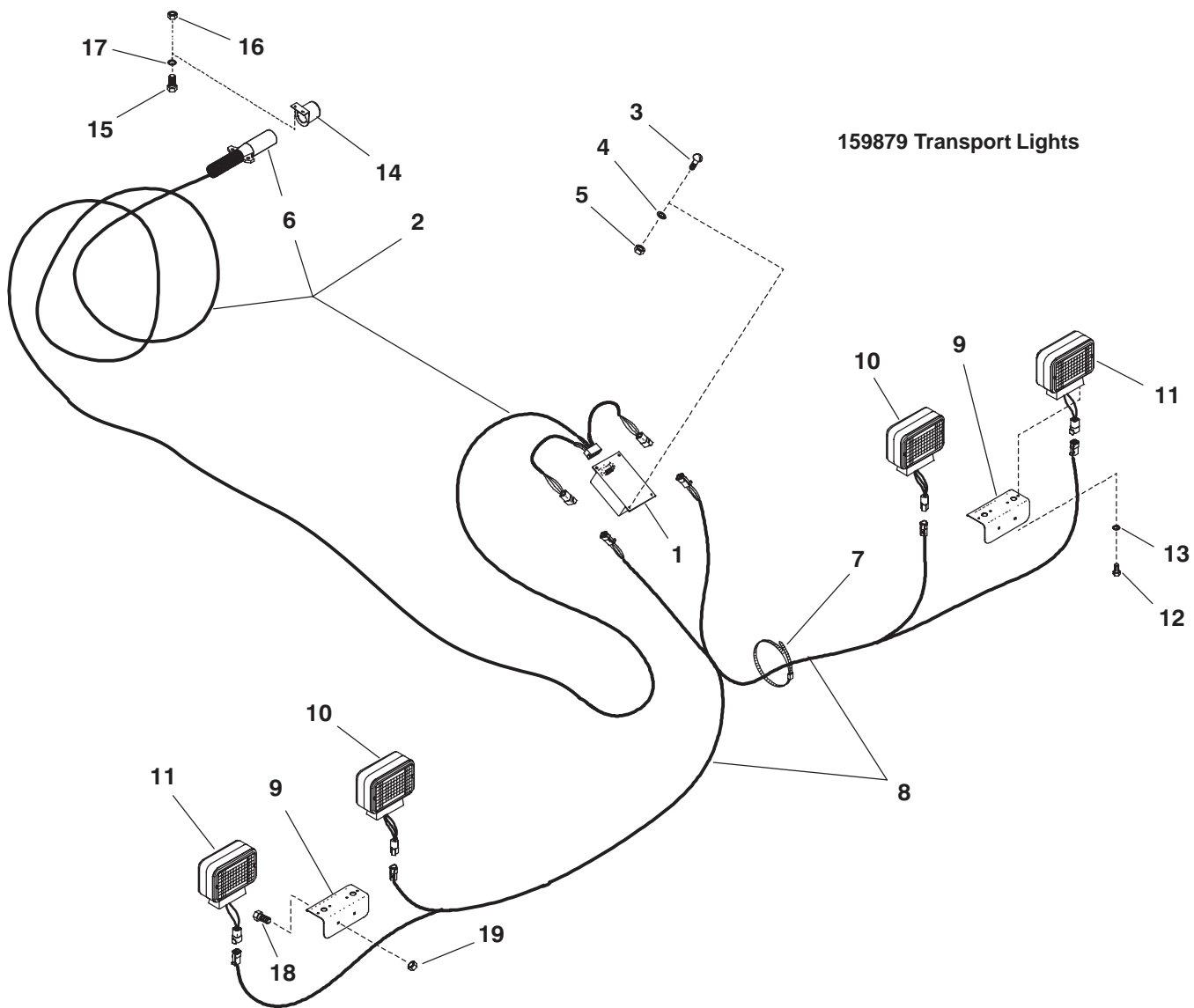
Ref. No.	Part No.	Description	Qty. Req.
	143470	HITCHJACK - FULTON .....	1
		CONSISTS OF:	
01	143597	KIT/JACK HANDLE .....	1
02	143601	KIT/PIN & CHAIN .....	1
03	143610	KIT/BEARING .....	1
04	143602	KIT/GEAR .....	1
05	143600	SUPPORT/PLATE .....	1
06	143598	CAP/TUBE .....	1
07	113026	TFS #8-32X3/8 .....	2



**Torque Nut (Item 13) to  
550-650 Foot-Pounds**

Ref. No.	Part No.	Description	Qty. Req.	Ref. No.	Part No.	Description	Qty. Req.
	118254	HITCH EXTENSION .....	1	07	650163	CS 3/4X1-3/4 .....	4
		CONSISTS OF:		08	650585	CS 1/2X2 .....	1
01	113058	SPACER 1-5/8 OD .....	1	09	650857	HN 3/4 .....	4
02	119230	HITCH ASSY .....	1	10	654030	LW 1/2 .....	1
03	119269	PIN ASSY .....	1	11	655016	CP 3/16 .....	1
04	119805	LINCHPIN W/CHAIN .....	1	12	651242	LW 1-1/8 .....	4
05	126112	BOX ASSY .....	1	13	650459	HN 1-1/8 .....	4
06	126116	SHIM .....	12	14	119387	PARTS/HITCH ASSY .....	1

# DC2345/2365 - OPTIONS & ACCESSORIES



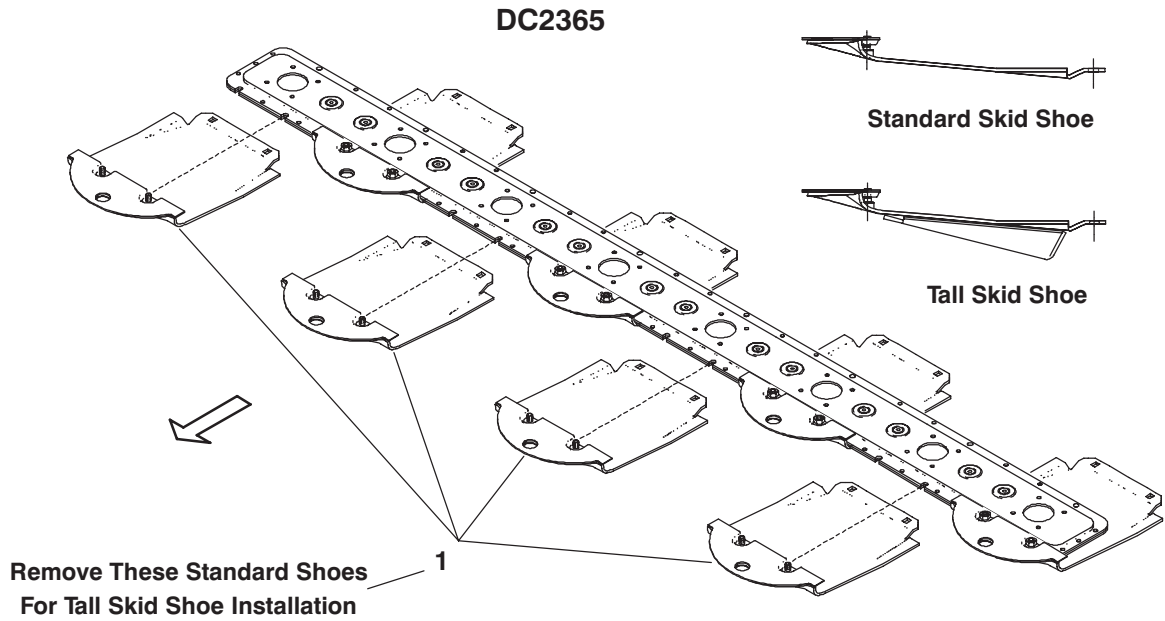
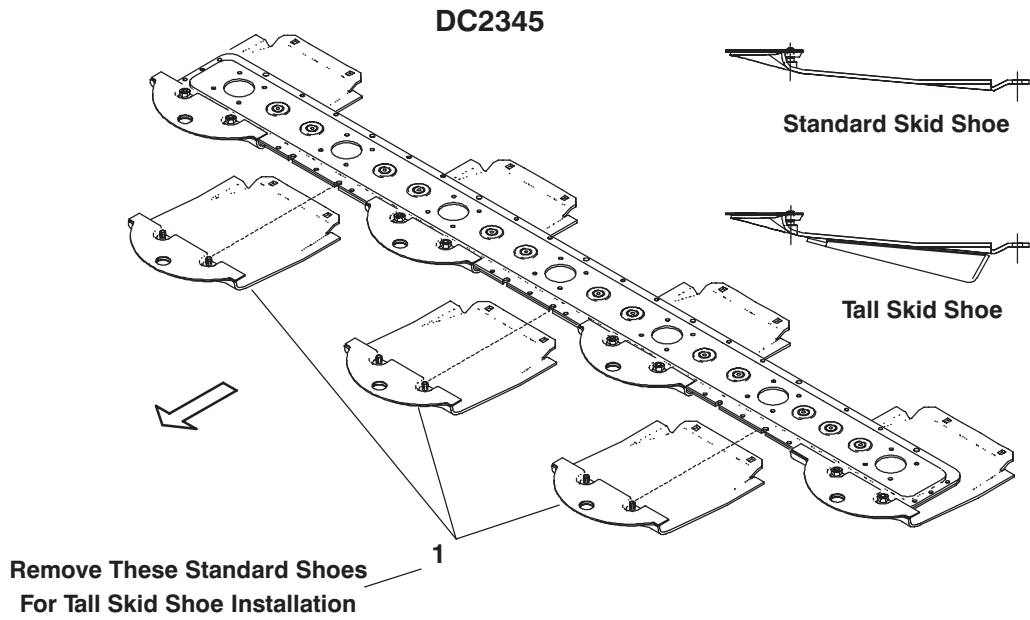
159879 Transport Lights

Ref. No.	Part No.	Description	Qty. Req.	Ref. No.	Part No.	Description	Qty. Req.
	159879	KIT/TRANSPORT LIGHT	1	11	156838 <sub>c</sub>	LIGHT/AMBER	2
		CONSISTS OF:		12	656105	CS M8X25	8
01	156836	MODULE/LIGHT	1	13	656110	LW REG M8	8
02	159696 <sub>a</sub>	HARNESS/LIGHT	1	14	112886	HOLDER	1
03	650815	RHMS#10-24X3/4	4	15	650663	CS 1/4X5/8	2
04	650584	FW #10	4	16	071401	NILN 1/4	2
05	084175	NILN#10-24	4	17	650863	FW 1/4	2
06	112917	PLUG/7-PIN W/CABLE PROTECTOR	1	18	650437	CB 5/16X5/8	4
07	055648	TIE/WIRE	20	19	064260	NILN 5/16	4
08	158616 <sub>a</sub>	HARNESS/REAR	2				
09	159776	BRACKET/LIGHT	2				
10	156839 <sub>b</sub>	LIGHT/RED	2				

a) For repair, see 'Service Kits - Electrical Connectors' page.  
 b) For bulb replacement, use 1157. Purchase locally.  
 c) For bulb replacement, use 1156. Purchase locally.

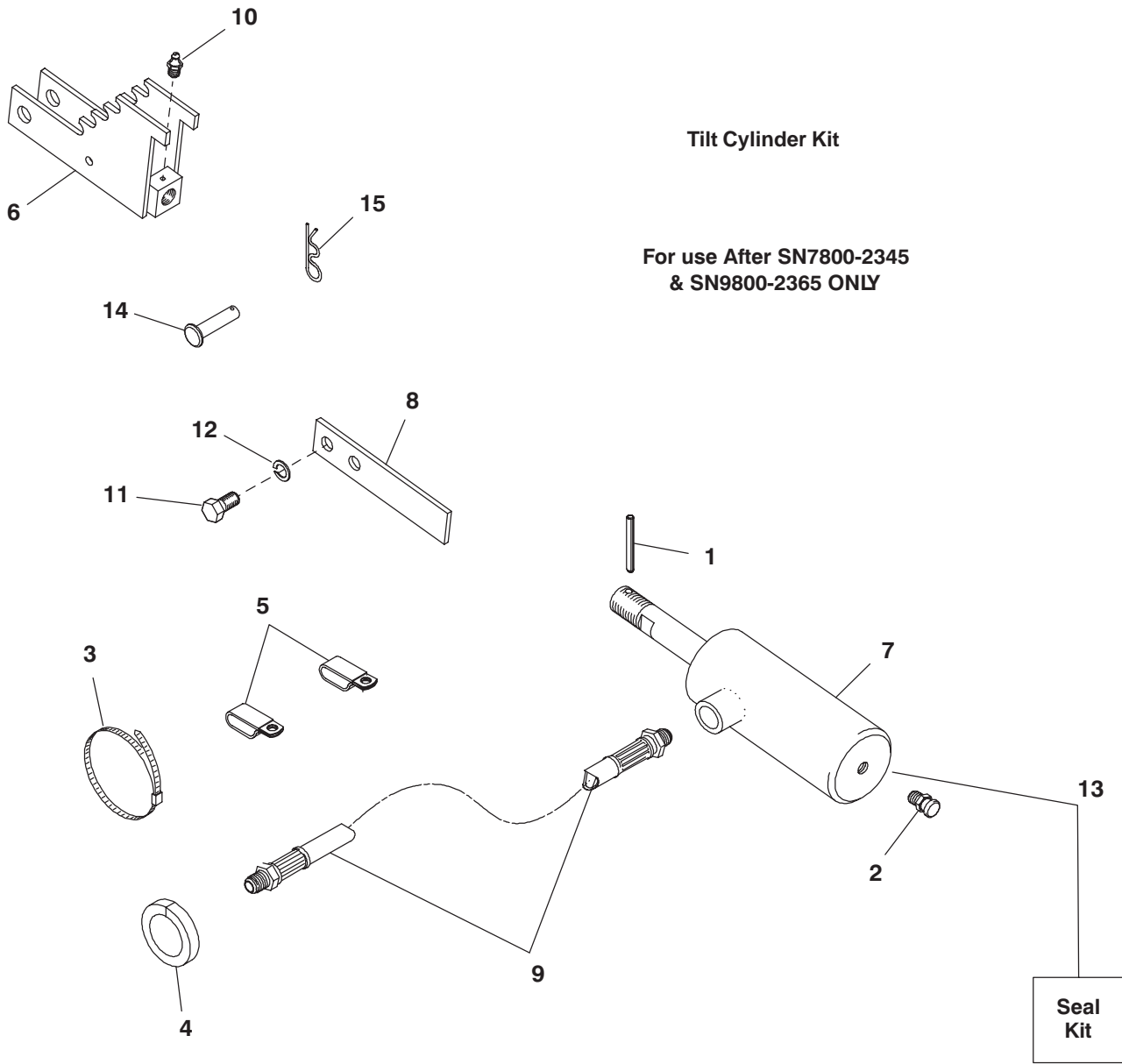


# DC2345/2365 - OPTIONS & ACCESSORIES



Ref. No.	Part No.	Description	Qty. Req.
01	120664	SHOE/TALL SKID (2345) .....	3
		SHOE/TALL SKID (2365) .....	4

# DC2345/2365 - OPTIONS & ACCESSORIES

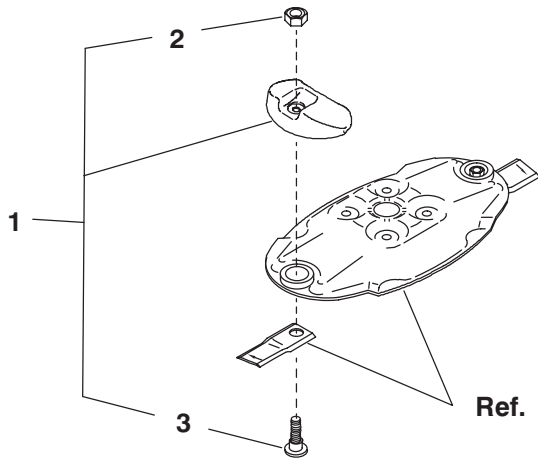


## Tilt Cylinder Kit

For use After SN7800-2345  
& SN9800-2365 ONLY

Ref. No.	Part No.	Description	Qty. Req.	Ref. No.	Part No.	Description	Qty. Req.
	153448	KIT/TILT CYLINDER . . . . .	1	08	144424	PLATE . . . . .	1
		CONSISTS OF		09	144886	HOSE/ASSY . . . . .	1
01	040775	PIN/SPRING . . . . .	1	10	570009	FITTING/GREASE . . . . .	1
02	045668	FITTING/RELIEF . . . . .	1	11	650487	CS 5/16 X 1 . . . . .	2
03	055648	TIE/WIRE . . . . .	1	12	654024	LW 5/16 . . . . .	2
04	067180	GROMMET/SPLIT . . . . .	1	13	144483	KIT/SEAL . . . . .	1
05	097860	CLAMP/HOSE DOUBLE . . . . .	1	14	125260	PIN/CLEVIS . . . . .	1
06	143714	WLDMT/ADJUST LINK . . . . .	1	15	076099	COTTER/ HAIR PIN . . . . .	1
07	143726	CYLINDER/HYD HEAD TILT . . . . .	1				

Crop Lifter Kit

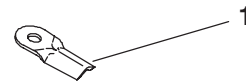


Ref. No.	Part No.	Description	Qty. Req.
01	157224	KIT/CROP LIFTER .....	1
		CONSISTS OF:	
02	125445	NUT/LOCKING .....	2
03	155524	BOLT/BLADE, LONG .....	2
	NS <sub>a</sub>	LIFTER ASSY .....	2

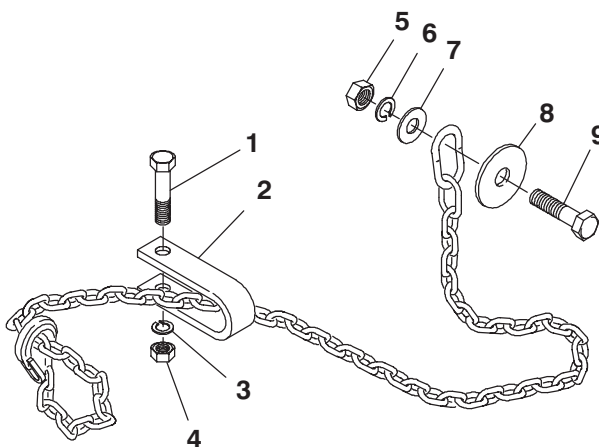
a) Not available as a service part.

V-Type Blades

Ref. No.	Part No.	Description	Qty. Req.
01	P156027	BLADES/V-TYPE (PACKAGE OF 12) ...	1

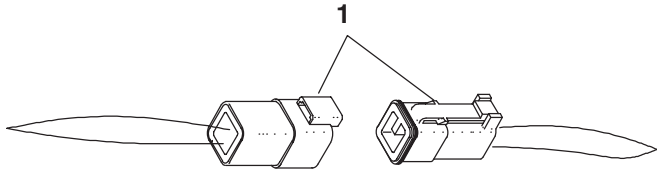


142965 Safety Tow Chain 5-Ton



Ref. No.	Part No.	Description	Qty. Req.
	142965	CHAIN/SAFETY TOW 5-TON .....	1
		CONSISTS OF:	
01	650695	CS 5/8X3-1/2 .....	1
02	080894	CLEVIS .....	1
03	654032	LW 5/8 .....	1
04	653021	N 5/8 .....	1
05	653026	N 3/4 .....	1
06	654034	LW 3/4 .....	1
07	654014	FW 3/4 .....	1
08	069076	FW 25/32 .....	1
09	650172	CS 3/4X3-1/4 .....	1

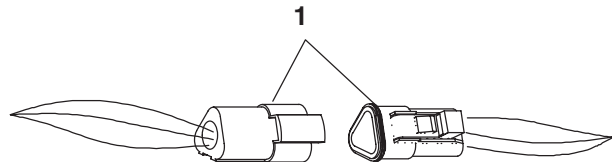
# DC2345/2365 - SERVICE KITS - ELECTRICAL CONNECTORS



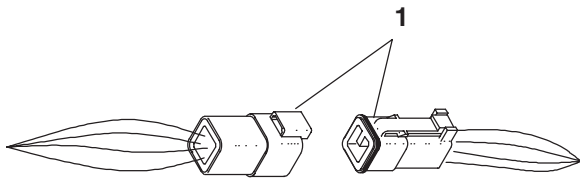
Ref. No.	Part No.	Description	Qty. Req.
01	157333	CONNECTOR/2-WAY .....	1

**DEUTSCH 2-WAY CONNECTOR**

Ref. No.	Part No.	Description	Qty. Req.
01	157334	CONNECTOR/3-WAY .....	1



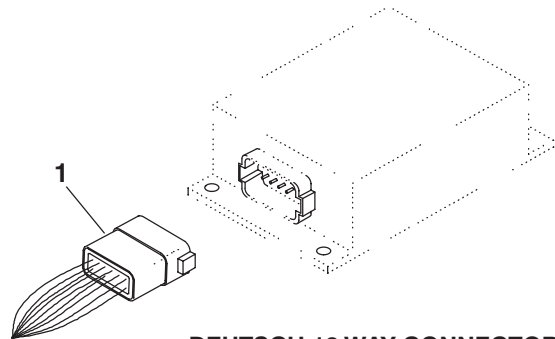
**DEUTSCH 3-WAY CONNECTOR**



Ref. No.	Part No.	Description	Qty. Req.
01	157335	CONNECTOR/4-WAY .....	1

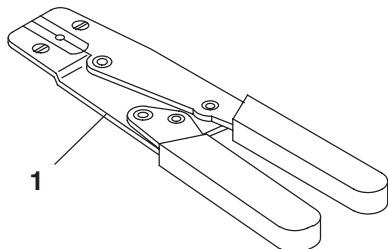
**DEUTSCH 4-WAY CONNECTOR**

Ref. No.	Part No.	Description	Qty. Req.
01	157336	CONNECTOR/12-WAY .....	1



**DEUTSCH 12-WAY CONNECTOR**

**DEUTSCH CRIMPING PLIERS**



Ref. No.	Part No.	Description	Qty. Req.
01	157407	PLIERS/CRIMPING .....	1

# Index

## A

Axles & Wheels, 41

## C

Curtains, 40  
Cutterbar, 14–15  
Discs, 16–17  
Skid Shoes, 20–21

## D

Decal Application, 2  
Decal Locations, 2–6  
Drawbar  
After SN8300–2345 &  
SN10400–2365, 8  
Before SN8301–2345 &  
SN10401–2365, 9  
Driveline, 47  
Tower to Gearbox  
1000 RPM, Before SN8301–2345  
& SN10401–2365, 46  
540 RPM  
After SN8300–2345 &  
SN10400–2365, 44  
Before SN8301–2345 &  
SN10401–2365, 45  
Tractor to Tower  
1000 RPM, 43  
540 RPM, 42

## F

Forming Chamber, 27

## G

Gearbox, 48–49  
Mounting, 12–13

## H

Header to Trailer Assembly, 34–35  
Hitch, 10  
Hitch Extension, 53  
Hitchjack, 10, 52  
Hydraulics  
Drawbar Positioner, 33  
Lift, 32

## O

Options & Accessories  
Crop Lifter Kit, 57  
Safety Chain, 57  
Tall Skid Shoes, 55  
Tilt Cylinder Kit, 56  
Transport Lights, 54  
V-Type Blades, 57  
Overrunning Clutch  
1000 RPM,  
Before SN8301–2345 &  
SN10401–2365, 51

540 & 1000 RPM,  
After SN8300–2345 &  
SN10400–2365, 49  
540 RPM,  
Before SN8301–2345 &  
SN10401–2365, 50

## P

Paint Notice, 2

## R

Roll Tension, 26  
Rollers & Roller Drive  
Left Side, 22–23  
Right Side, 24–25

## S

Service Kits,  
Electrical Connectors, 58  
Shields, Tower  
After SN8300–2345 &  
SN10400–2365, 8  
Before SN8301–2345 &  
SN10401–2365, 9  
Shields & Covers, 36–39

## T

Tower, 10  
Trailer Assembly  
Left, 28–29  
Right, 30–31

# DC2345/2365 - NUMERICAL INDEX

Part No.	Page No.	Ref. No.	Part No.	Page No.	Ref. No.	Part No.	Page No.	Ref. No.	Part No.	Page No.	Ref. No.
C14084	37	05	059453	11	06	071709	08	15	092079	23	32
P113268	16	03	060138	02	01	071709	25	26	092079	25	62
P113269	16	04	060510	02	02	072171	35	32	092082	23	23
P113268	17	03	060511	02	03	074090	33	12	092082	25	14
P113269	17	04	061276	52	01	075951	25	70	093105	32	06
P113268	18	03	061872	13	40	076099	56	15	093110	32	05
P113269	18	04	064260	13	29	076586	41	09	093366	02	07
P113268	19	03	064260	54	19	077601	23	05	093367	02	08
P113269	19	04	064331	23	35	077601	25	05	093373	02	09
P156027	57	01	064331	25	67	077836	52	07	093465	02	10
B11433A	11	10	065756	25	24	077838	52	05	093466	02	10
004640	13	38	066717	41	06	077839	52	08	093653	02	11
040775	56	01	066895	23	41	078060	23	68	094283	52	06
040860	08	43	066895	25	33	078060	25	71	094912	02	12
040860	09	17	067180	56	04	078979	42	02	094913	02	13
040860	13	43	068938	33	13	078979	43	02	094951	02	14
042162	41	11	069076	57	08	078979	44	03	095129	42	07
042163	41	03	069226	23	50	078979	45	03	095129	43	07
044090	23	39	070643	23	24	078979	46	03	095129	44	06
045582	41	16	070643	25	13	079000	43	03	095129	45	06
045668	56	02	070856	29	35	079003	23	48	095129	46	06
046001	41	14	071401	54	16	079187	08	42	095166	42	04
049038	13	47	071700	39	43	079187	09	24	095166	43	04
051905	25	30	071700	40	06	079187	13	37	095196	27	14
053660	13	15	071701	08	30	079716	41	02	097528	13	01
055142	23	52	071701	11	08	079923	39	41	097528	48	
055342	50	14	071701	29	21	080477	23	26	097529	13	01
055343	51	10	071701	31	19	080477	25	58	097529	48	
055344	51	11	071703	08	14	080894	57	02	097546	23	33
055347	51	02	071703	09	14	081377	29	34	097546	25	63
055348	50	15	071703	20	04	081462	52	02	097588	46	11
055348	51	07	071703	20	29	081463	52	04	097588	51	
055371	50	11	071703	21	04	082621	41	17	097662	23	55
055371	51	04	071703	21	29	083429	42	03	097667	23	57
055372	50	10	071703	23	21	084159	33	25	097668	23	54
055372	51	05	071703	25	12	084175	54	05	097859	27	13
055447	25	27	071703	29	09	088467	33	16	097860	56	05
055648	54	07	071703	31	08	088841	11	32	097918	33	11
055648	56	03	071703	37	10	088841	52		098221	13	07
056080	33	24	071706	09	32	089139	48	15	098222	13	08
056336	11	09	071706	11	19	089867	23	12	098259	23	34
056640	23	40	071706	29	04	089871	23	10	098259	25	64
057557	23	43	071706	31	04	089872	23	04	098828	35	11
057557	25	35	071706	35	21	089872	25	04	099112	23	49
057557	35	09	071706	37	29	091444	02	06	112375	13	46
057864	37	25	071706	44	09	091716	37	11	112413	09	18
058623	51	12	071706	45	09	091870	41	04	112795	33	23
059450	25	18	071706	46	09	092021	52	03	112886	54	14

## DC2345/2365 - NUMERICAL INDEX

Part No.	Page No.	Ref. No.	Part No.	Page No.	Ref. No.	Part No.	Page No.	Ref. No.	Part No.	Page No.	Ref. No.
112917	54	06	113280	19	12	117085	32	01	120459	21	07
113026	52	07	113282	14	01	117929	13	41	120630	37	17
113058	53	01	113282	15	01	118114	42		120638	25	52
113266	16	01	113283	14	02	118115	43		120656	39	01
113266	17	01	113283	15	02	118116	45		120658	39	07
113266	18	01	113284	14	03	118117	46		120659	13	13
113266	19	01	113284	15	03	118118	42	01	120664	55	01
113267	16	02	113286	14	04	118119	42	08	120674	20	03
113267	17	02	113286	15	04	118120	42	06	120674	21	03
113267	18	02	113287	14	05	118121	42	09	120676	35	04
113267	19	02	113287	15	05	118122	42	11	120677	39	39
113268	16	03	113288	14	06	118123	43	01	120679	39	38
113268	17	03	113289	15	06	118124	43	08	120692	37	17
113268	18	03	113290	14	07	118125	43	06	120694	23	66
113268	19	03	113290	15	07	118126	43	09	120694	25	66
113269	16	04	113292	14	08	118127	43	11	120695	23	65
113269	17	04	113292	15	08	118128	44	01	120695	25	65
113269	18	04	113294	14	09	118128	45	01	120700	37	18
113269	19	04	113295	14	10	118128	46	01	120702	37	04
113271	16	05	113295	15	10	118129	45	10	120703	37	02
113271	17	05	113296	14	11	118130	44	05	120710	13	25
113271	18	05	113297	14	12	118130	45	05	120711	13	26
113271	19	05	113297	15	12	118130	46	05	120716	37	26
113272	18	06	113298	14	13	118131	44	13	120718	37	26
113272	19	06	113298	15	13	118131	45	13	120790	02	16
113274	16	07	113299	14	14	118131	46	13	120822	41	13
113274	17	07	113299	15	14	118132	44	12	122778	33	31
113274	18	07	113301	14	15	118132	45	12	124475	08	06
113274	19	07	113301	15	15	118132	46	12	124475	09	06
113275	16	08	113302	14	16	118133	46	10	124484	08	09
113275	17	08	113302	15	16	118226	42	10	124484	09	09
113275	18	08	113303	14	17	118226	43	10	124543	11	01
113275	19	08	113303	15	17	118226	44	14	124604	29	01
113276	16	09	113304	14	18	118226	45	14	124604	31	01
113276	17	09	113304	15	18	118226	46	14	124608	11	35
113276	18	09	113305	15	20	118254	11	34	124626	08	07
113276	19	09	113306	14	19	118254	53		124626	09	07
113278	16	10	113306	15	19	118760	25	02	124636	31	24
113278	17	10	113307	15	09	119230	53	02	124646	29	55
113278	18	10	115433	45	11	119269	53	03	124649	25	39
113278	19	10	115433	50		119387	53	14	124654	32	04
113279	16	11	115561	13	09	119503	09	15	124655	25	23
113279	17	11	115726	25	37	119783	23	46	124690	23	42
113279	18	11	115727	25	38	119805	11	21	124692	25	34
113279	19	11	115974	02	15	119805	53	04	124773	25	19
113280	16	12	117038	23	03	120218	47		124776	41	01
113280	17	12	117038	25	03	120456	20	17	124777	41	01
113280	18	12	117039	23	09	120459	20	07	124870	27	01

# DC2345/2365 - NUMERICAL INDEX

Part No.	Page No.	Ref. No.	Part No.	Page No.	Ref. No.	Part No.	Page No.	Ref. No.	Part No.	Page No.	Ref. No.
124871	27	02	125450	16	15	126110	39	33	126658	48	32
124876	27	08	125450	17	15	126112	53	05	126659	48	33
124877	27	09	125450	18	15	126116	53	06	126660	48	34
124904	23	19	125450	19	15	126123	39	12	126661	48	36
124905	23	20	125451	16	16	126280	40	13	126735	52	04
124906	25	41	125451	17	16	126280	40	33	126739	41	15
124910	23	02	125451	18	16	126281	40	28	127040	51	
124915	25	16	125451	19	16	126282	40	13	127041	51	
124966	13	02	125476	02	17	126298	39	32	127042	50	
125077	23	22	125502	23	66	126342	08	41	127043	50	
125077	25	15	125502	25	66	126342	09	16	141295	35	13
125078	25	09	125503	23	65	126342	13	36	141296	35	07
125080	27	12	125503	25	65	126346	39	06	141299	29	36
125081	27	11	125774	42	05	126442	39	37	141308	40	29
125094	23	27	125778	42	12	126456	02	18	141309	40	34
125094	25	59	125778	43	12	126457	02	19	141310	40	14
125260	56	14	125784	43	05	126628	48	01	141311	40	14
125347	33	10	125788	44	02	126629	48	02	141312	40	27
125348	33	15	125788	45	02	126630	48	03	141330	37	03
125359	32	04	125788	46	02	126631	48	04	141333	29	41
125367	29	61	125789	44	04	126632	48	05	141333	35	15
125367	31	38	125789	45	04	126634	48	07	141334	20	05
125370	27	01	125789	46	04	126635	48	08	141334	21	05
125371	27	02	125793	50	02	126636	48	09	141335	23	22
125376	27	08	125794	50	03	126636	48	19	141338	37	18
125377	27	09	125795	50	04	126637	48	10	141933	02	20
125410	33	23	125796	50	05	126638	48	11	141934	02	20
125420	33	14	125797	50	06	126639	13	32	141935	02	21
125421	32	03	125798	50	07	126639	48	12	141936	02	21
125421	33	22	125799	50	08	126640	48	13	141960	37	21
125424	14	20	125871	49	06	126641	48	14	141961	37	22
125426	14	21	125871	50	09	126642	48	16	141963	37	23
125426	15	21	125872	50	12	126643	48	17	142118	40	24
125427	14	22	125873	50	13	126644	48	18	142122	08	19
125427	15	22	125874	50	17	126645	48	09	142133	47	02
125436	14	23	125874	51	09	126645	48	19	142134	47	06
125436	15	23	125875	50	21	126646	48	20	142135	47	04
125442	14	24	125876	51	01	126647	48	21	142136	47	07
125442	15	24	125878	51	03	126648	48	22	142137	47	08
125445	16	13	125882	29	24	126649	48	23	142138	47	01
125445	17	13	125883	29	25	126650	48	24	142630	16	17
125445	18	13	125884	51	13	126651	48	25	142630	17	17
125445	19	13	125885	51	15	126652	48	26	142630	18	17
125445	57	02	125886	51	16	126653	48	27	142630	19	17
125448	16	14	126022	29	66	126654	48	28	142634	16	18
125448	17	14	126022	31	41	126655	48	29	142634	17	18
125448	18	14	126023	31	21	126656	48	30	142634	18	18
125448	19	14	126109	39	30	126657	48	31	142634	19	18



## DC2345/2365 - NUMERICAL INDEX

Part No.	Page No.	Ref. No.	Part No.	Page No.	Ref. No.	Part No.	Page No.	Ref. No.	Part No.	Page No.	Ref. No.
142642	16	22	152210	16	19	520093	09	11	650479	25	61
142642	17	22	152210	18	19	520195	23	18	650486	08	35
142898	08	40	152211	15		520195	25	32	650487	49	12
142965	57		152211	17	19	520201	41	05	650487	56	11
143007	02	26	152211	19	19	570002	29	10	650488	37	07
143153	47	09	153448	56		570002	31	09	650490	29	71
143470	11	32	153458	09	01	570002	51	06	650490	35	31
143470	52		153459	29	40	570004	42	14	650491	20	06
143597	52	01	153459	31	40	570004	43	14	650491	21	06
143598	52	06	153460	29	40	570004	44	16	650491	29	07
143600	52	05	153460	31	40	570004	45	16	650491	31	06
143601	52	02	153461	20	01	570004	46	16	650491	37	08
143602	52	04	153462	21	01	570009	50	18	650493	20	28
143610	52	03	153463	32	02	570009	56	10	650493	21	28
143714	56	06	155556	49	04	570014	26	10	650494	13	03
143721	49	05	155524	57	03	570014	29	23	650495	13	10
143723	49	08	156182	08	34	570014	31	31	650495	20	13
143726	56	07	156371	37	03	570014	35	12	650495	21	13
144070	26	16	156406	49	01	570014	42	13	650495	25	28
144081	29	70	156407	49	03	570014	43	13	650503	33	32
144269	26	17	156408	49	02	570014	44	15	650527	20	08
144327	26	19	156421	44		570014	45	15	650527	21	08
144424	56	08	156422	44	10	570014	46	15	650528	35	31
144449	16	21	156423	44	11	570014	47	05	650549	08	47
144449	17	06	156423	49		570018	35	30	650549	09	20
144449	17	21	156424	49	07	570019	31	25	650549	13	44
144483	56	13	156425	49	09	570019	37	06	650550	08	46
144498	26	21	156427	08	33	570019	47	10	650550	09	21
144536	25	15	156438	08	23	600595	23	53	650550	13	45
144537	23	22	156463	08	02	613846	16	20	650573	25	53
144538	23	22	156836	54	01	613846	17	20	650573	27	07
144564	33	30	158616	54	08	613846	18	20	650573	37	12
144757	16	06	159696	54	02	613846	19	20	650584	08	45
144758	16	23	159776	54	09	613859	14	25	650584	09	22
144758	17	23	159838	54	11	613859	15	25	650584	13	48
144885	32	03	159839	54	10	613920	14	26	650584	54	04
144886	56	09	159879	54		613920	15	26	650585	53	08
144887	33	22	157224	57	01	650163	53	07	650590	26	20
144897	11	77	171214	13	33	650172	57	09	650606	39	40
144898	11	78	171412	23	69	650379	49	14	650631	25	25
144917	08	03	171412	25	72	650379	50	19	650650	08	36
145021	37	20	500160	23	67	650379	51	17	650650	09	31
145216	02	04	500160	25	31	650437	54	18	650663	54	15
145217	02	05	510007	47	03	650448	39	42	650687	13	28
145218	02	23	520054	41	12	650451	20	16	650687	27	21
145235	02	24	520092	08	10	650451	21	16	650687	37	16
145237	02	25	520092	09	10	650459	53	13	650687	39	02
152210	14		520093	08	11	650479	23	29	650692	08	37

# DC2345/2365 - NUMERICAL INDEX

Part No.	Page No.	Ref. No.	Part No.	Page No.	Ref. No.	Part No.	Page No.	Ref. No.	Part No.	Page No.	Ref. No.
650692	29	20	651185	39	08	654006	35	06	654032	57	03
650692	31	18	651240	11	17	654006	37	09	654034	57	06
650694	11	36	651240	44	07	654006	39	22	654046	20	21
650694	25	21	651240	45	07	654009	13	11	654046	21	21
650695	557	01	651240	46	07	654009	20	09	654051	37	27
650704	08	12	651242	53	12	654009	21	09	655006	13	39
650704	09	12	651275	23	56	654009	23	51	655010	41	08
650704	11	02	651277	23	47	654009	37	24	655016	53	11
650704	39	13	651277	25	36	654014	23	58	655018	31	28
650711	23	59	653005	25	45	654014	29	31	655020	29	28
650733	49	11	653005	39	11	654014	31	33	655020	35	18
650742	51	14	653006	49	10	654014	35	17	655020	37	28
650744	08	25	653007	08	38	654014	57	07	655022	11	42
650745	27	15	653007	25	56	654016	35	08	656001	13	35
650758	25	42	653007	27	06	654022	25	44	656050	20	12
650758	39	23	653007	37	15	654022	39	10	656050	21	12
650758	40	31	653007	39	05	654024	08	39	656094	20	26
650781	11	07	653010	11	05	654024	25	55	656094	21	26
650786	08	26	653010	29	73	654024	27	05	656105	20	26
650802	23	08	653010	39	15	654024	37	14	656105	21	26
650802	25	08	653018	13	14	654024	39	04	656105	54	12
650810	37	13	653018	20	11	654024	49	13	656110	13	34
650810	39	03	653018	21	11	654024	56	12	656110	20	27
650815	54	03	653018	23	14	654026	08	13	656110	21	27
650834	23	01	653018	25	07	654026	09	13	656110	54	13
650834	25	40	653021	11	38	654026	11	03	656118	20	15
650834	27	10	653021	26	08	654026	29	72	656118	21	15
650857	53	09	653021	57	04	654026	39	14	656132	48	35
650863	54	17	653026	29	68	654026	50	16	660005	39	21
650894	50	01	653026	31	32	654026	51	08	010-32322	23	11
650926	23	25	653026	57	05	654030	11	18	030-17662	29	32
650926	25	01	653029	23	28	654030	13	12	030-17662	31	34
650969	27	03	653029	25	60	654030	20	10	030-31861	26	12
650980	08	44	653044	08	29	654030	21	10	030-31859	26	07
650980	09	23	653044	33	33	654030	23	13	030-31904	29	69
650980	13	42	653053	23	37	654030	25	06	045-31406	35	03
650985	09	19	653053	25	68	654030	35	10	045-31404	08	48
650985	39	34	653102	41	07	654030	44	08	045-31404	09	33
651123	29	15	654002	25	43	654030	45	08	200-32337	26	09
651123	31	14	654002	39	09	654030	46	08	200-32344	26	05
651148	23	38	654002	40	03	654030	49	15	200-32504	29	11
651148	25	69	654004	25	54	654030	50	20	200-32504	31	10
651148	29	64	654004	27	04	654030	51	18	200-32507	29	67
651148	31	39	654006	11	04	654030	53	10	210-19470	27	22
651164	29	03	654006	20	20	654032	11	30	210-19532	23	14
651164	31	03	654006	21	20	654032	25	20	210-19532	25	07
651164	35	24	654006	29	08	654032	29	14	220-32514	09	30
651167	08	27	654006	31	07	654032	31	13	220-32515	29	06

## DC2345/2365 - NUMERICAL INDEX

---

Part No.	Page No.	Ref. No.	Part No.	Page No.	Ref. No.	Part No.	Page No.	Ref. No.	Part No.	Page No.	Ref. No.
220-32515	31	05	220-32520	31	20	380-32262	26	06	400-32443	31	26
220-32517	29	33	230-27100	29	65	380-32350	29	66	420-33620	39	35
220-32518	31	27	230-27100	31	42	385-27865	29	65	480-27676	29	13
220-32519	29	19	310-32513	31	30	400-21904	29	12	480-27676	31	12
220-32519	31	17	380-25728	23	61	400-21904	31	11	983-01321	39	36
220-32520	29	22									

# DC2345/2365 - NUMERICAL INDEX

---

---

Part No.	Page No.	Ref. No.	Part No.	Page No.	Ref. No.	Part No.	Page No.	Ref. No.	Part No.	Page No.	Ref. No.
-------------	-------------	-------------	-------------	-------------	-------------	-------------	-------------	-------------	-------------	-------------	-------------







---

INTENTIONALLY BLANK

# TORQUE SPECIFICATIONS

**NOTE:** Use these torque values when tightening **GEHL** hardware (excluding: locknuts and self-tapping, thread-forming and sheet metal screws) unless specified otherwise.

All torque values are in Lb-Ft except those marked with an \* which are Lb-In  
(For metric torque value Nm, multiply Lb-Ft value by 1.355 or Lb-In value by 0.113)

Unified National Thread	Grade 2 		Grade 5 		Grade 8 	
	Dry	Lubed	Dry	Lubed	Dry	Lubed
8-32	19*	14*	30*	22*	41*	31*
8-36	20*	15*	31*	23*	43*	32*
10-24	27*	21*	43*	32*	60*	45*
10-32	31*	23*	49*	36*	68*	51*
1/4-20	66*	50*	9	75*	12	9
1/4-28	76*	56*	10	86*	14	10
5/16-18	11	9	17	13	25	18
5/16-24	12		19	14		20
3/8-16	20	15	30	23	45	35
3/8-24	23	17	35	25	50	
7/16-14	32	24	50	35	70	55
7/16-20	36	27	55	40	80	60
1/2-13	50	35	75	55	110	80
1/2-20	55	40	90	65	120	90
9/16-12	70	55	110	80	150	110
9/16-18	80	60	120	90	170	130
5/8-11	100	75	150	110	220	170
5/8-18	110	85	180	130	240	180
3/4-10	175	130	260	200	380	280
3/4-16	200	150	300	220	420	320
7/8-9	170	125	430	320	600	460
7/8-14	180	140	470	360	660	500
1-8	250	190	640	480	900	680
1-14	270	210	710	530	1000	740
Metric Course Thread	Grade 8.8 		Grade 10.9 		Grade 12.9 	
	Dry	Lubed	Dry	Lubed	Dry	Lubed
M6-1	8	6	11	8	13.5	10
M8-1.25	19	14	27	20	32.5	24
M10-1.5	37.5	28	53	39	64	47
M12-1.75	65	48	91.5	67.5	111.5	82
M14-2	103.5	76.5	145.5	108	176.5	131
M16-2	158.5	117.5	223.5	165.5	271	200

# GEHL®

**Gehl Company** 143 Water Street, P.O. Box 179, West Bend, WI 53095-0179 U.S.A.  
[www.gehl.com](http://www.gehl.com)