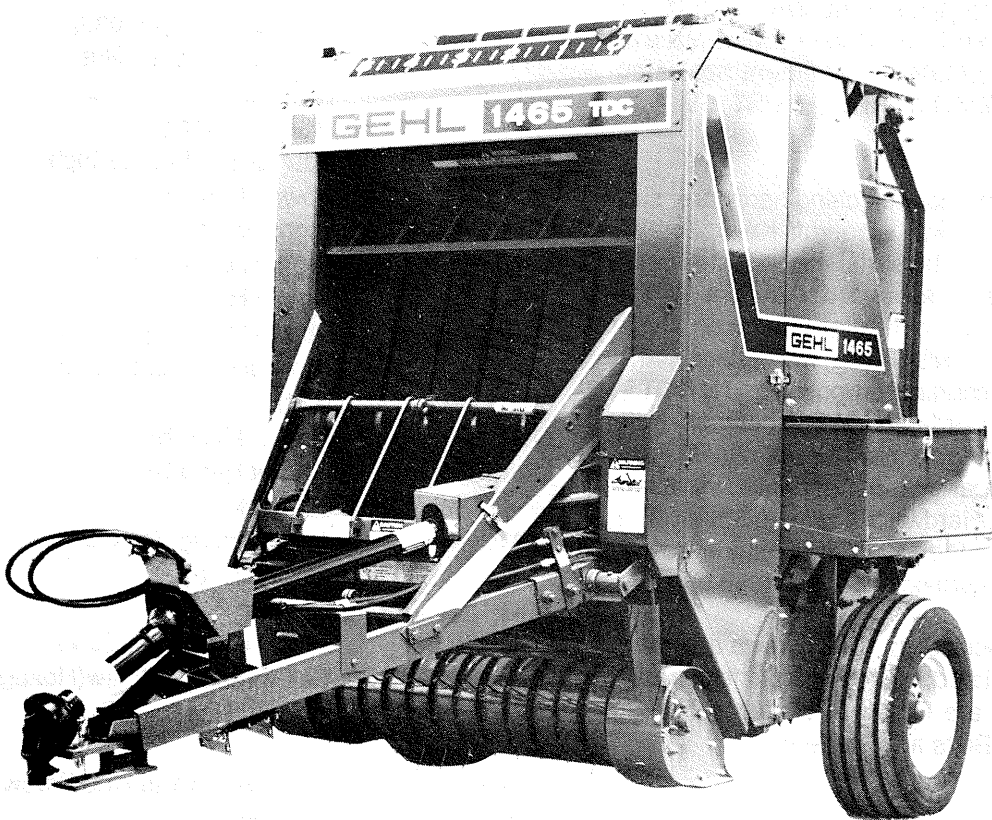


1465

Variable Chamber Round Baler



SERVICE PARTS MANUAL

Form No.
904113

GEHL[®] COMPANY

Introduction:

When ordering service parts, specify the correct part number, full description, quantity required, the unit model number and serial number.

Numbers for this unit are stamped on a plate located under the Top Channel, near the Center Column of the Left Frame Assembly.

"Right" and "Left" are determined from a position standing behind the unit and facing the direction of travel. From this position, the Universal Drive and Transmission are on the left side.

GEHL® Company reserves the right to make changes or improvements in the design or construction of any part of this unit without incurring the obligation to install such changes on any unit previously delivered.

NOTE: On original Tire replacement, company policy prohibits the sale of replacement tires for all GEHL machinery. Replacement Wheel Sets are available and tire size information is called-out with the Wheel Sets to facilitate replacement tire selection. ALL REPLACEMENT TIRES MUST BE PURCHASED LOCALLY.

Grease fittings and common attaching hardware, such as Cotter Pins, Set Screws, Woodruff Keys, Screws, Nuts, etc., are included in the parts lists, indented below the part it is (they are) associated with, but **NOT** illustrated, except where a particular routing or special fastening arrangement **MUST** be maintained. The hardware listed is for mounting purposes and is **NOT** included when the part is ordered for replacement. Refer to the abbreviations table for the various fastener descriptions. For the part number of related fasteners, refer to the Attaching Hardware Table, located on the Inside Back Cover. Standard attaching hardware torque values are also provided on the same page.

Unless otherwise specified, all Cap Screws are Grade 5, cadmium or zinc plated; Hexagon Nuts for Grade 5 Cap Screws or Bolts are Grade B; Hexagon Nuts for other Cap Screws or Bolts are Grade A.

The following abbreviations are used in this manual:

AR	- As Required
ASSY	- Assembly
AWG	- American Wire Gauge
CB	- Carriage Bolt
CN	- Castellated Nut
CS	- Cap Screw (Hexagon Head)
DIA	- Diameter
FHMS	- Flat Head Machine Screw
FLN	- Flanged Lock Nut (Hexagon)
FLS	- Flanged Lock Screw
FT	- Foot or Feet
GA	- Gauge
GR	- Grade
JN	- Jam Nut
L	- Lock (Washer)
LH	- Left Hand
LN	- Lock Nut (Hexagon)
LT	- Left
NF	- National Fine (Thread)
NILN	- Nylon-insert Lock Nut
NPTF	- National Pipe Threaded Fitting
P	- Plain (Washer)
PSI	- Pounds per Square Inch
PTO	- Power Take Off
RH	- Right Hand
RHMS	- Round Head Machine Screw
RHSMS	- Round Head Sheet Metal Screw
RHSQNB	- Round Head Square Neck Bolt
RPM	- Revolutions Per Minute
RT	- Right
SHSS	- Socket Head Set Screw
SHSS-SL	- Socket Head Set Screw-Self-locking (Thread)
SMV	- Slow-moving Vehicle
SN	- Slotted Nut
SQ	- Square
SQHSS	- Square Head Set Screw
STS	- Self-threading Screw(Hexagon Washer Head)
T	- Tooth
THMS	- Truss-Head Machine Screw
VAC	- Vacuum
WLN	- Whiz-lock Nut
W/	- With
W/O	- Without

TABLE OF CONTENTS

Introduction	Inside Front Cover
Table of Contents	1
Decal Locations	2-5
Frame & Fenders	6-7
Left Twine Box	8
Right Twine Box	9
Drawbar, Axles & Ramps	10-11
Implement Drive Line Shields & Covers	12
Pickup Lift & Overfill Clutch	13
Pickup	14-15
Bale Starter & Scraper	16
Sprocket & Roller Part Number Guide	17
Crossframe, Twine Tubes & Cutoff	18
Shuttle & Bale Size Indicator	19
Roller Drives	20-21
Upper Belts, Rollers & Related Components	22-23
Lower Rollers	24
Gate Hydraulics	25
Rear Gate	26-27
Total Density Control	28-29
Universal Drives	30-32
Transmission (540 RPM)	33
Hitchjack	34
Options & Accessories	36-44
Electric Twine Wrapping Kit	36
Electric Twine Wrap Control Box	36
Electric Actuator	37
Auto-Electric Twine Wrapping Mechanism	38-39
Auto-Electric Actuator	37
Crowder Wheel Kit	40-41
1000 RPM Conversion Kit	41
6" Upper Belt Dutchman Kit	41
Audible Bale Size Indicator	42
Center Drive Scraper Kit	42
Re-Lacing Kit	43
Lacing Kit	43
Packing Roller Lagging Kit	43
Flow Control Valve Kit	43
Dual Hydraulics Kit	44
Hydraulic Twine Wrapping Kit	44
Numerical Index	45-48
Standard Hardware Torque Specifications	Inside Back Cover
Attaching Hardware Table	Inside Back Cover

DECAL LOCATIONS

GENERAL INFORMATION

Decal Location information is provided to assist you in the proper selection and application of new decals, in the event the original decals become damaged or the machine is repainted. Refer to the appropriate illustration to determine the reference number of the desired decal. Then, using the reference number, refer to the listing to determine the part number, description and quantity.

NOTE: IF a quantity (3 Places, 2 Places, for example) is NOT listed after the Description, the quantity required per unit is ONE.

To ensure proper selection of the correct replacement decals, carefully review all of the illustrations which pertain to your machine **BEFORE** starting to refinish the unit. Circle each decal reference number for the decals which will require replacement and then check it off on the parts list. If more than a couple of decals are required, most decals are available in a Decal Set. Refer to the paragraph just before the decal listing to determine the proper Decal Set Number for your machine.

NEW DECAL APPLICATION

Surfaces **MUST** be free from dirt, dust, grease and other foreign material **BEFORE** applying the new decal. To apply a solid-formed decal, remove the smaller portion of the decal backing paper and apply the exposed adhesive backing to the clean surface while maintaining proper position and alignment. Then, peel the remaining portion of the backing paper off slowly while applying hand pressure to smooth-out the decal surface. To apply a die-cut decal, first remove all of the backing paper from it and then properly orient and place it in position on the clean surface. After the decal is firmly applied and smoothly pressed down, remove the front covering paper.



CAUTION: ALWAYS read and abide by the Safety Rules shown on Decals. If Decal(s) become damaged, unreadable or if the unit is repainted, the Decal(s) MUST be replaced. When repainting, MAKE SURE that ALL Decals which apply to your machine are readable and are properly affixed to the machine in their original locations.

PAINT NOTICE

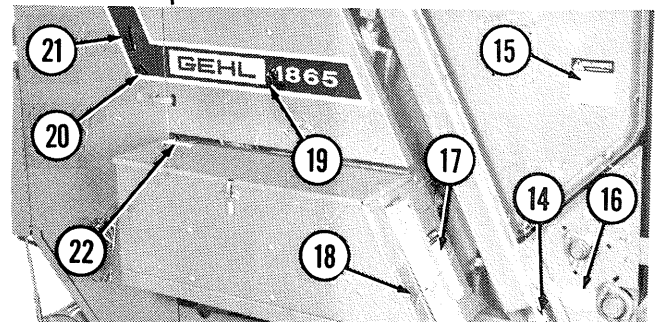
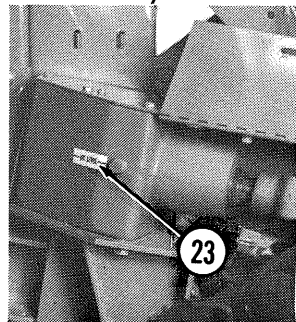
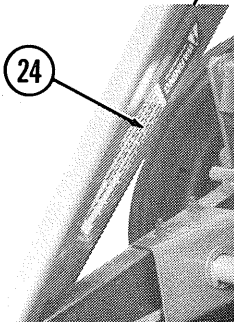
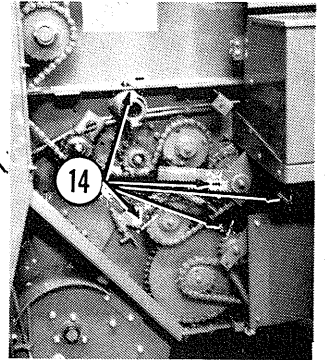
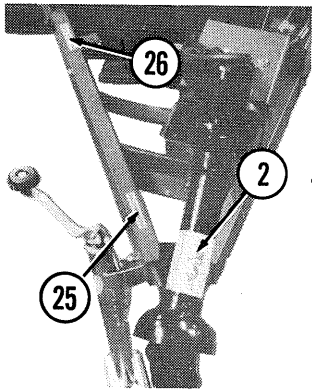
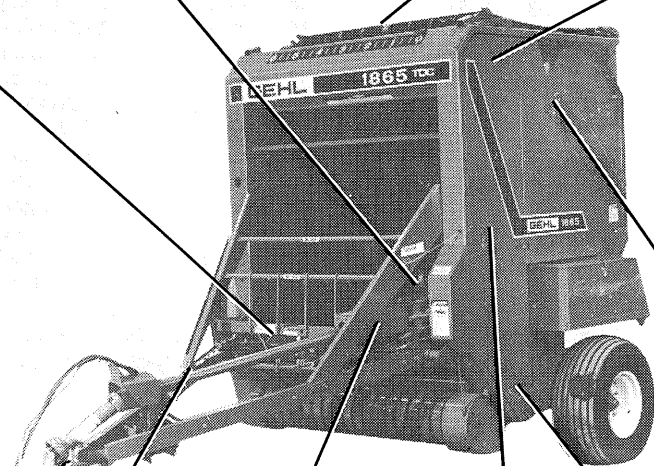
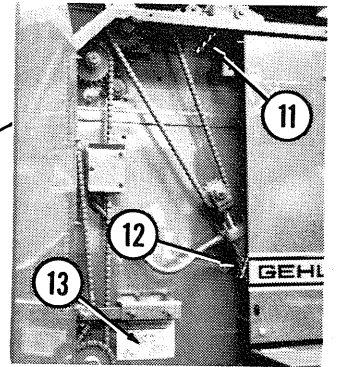
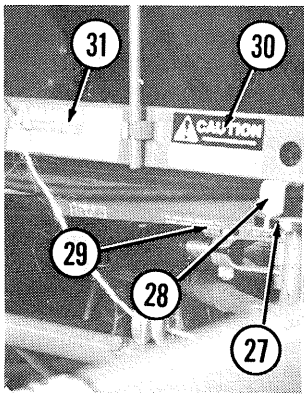
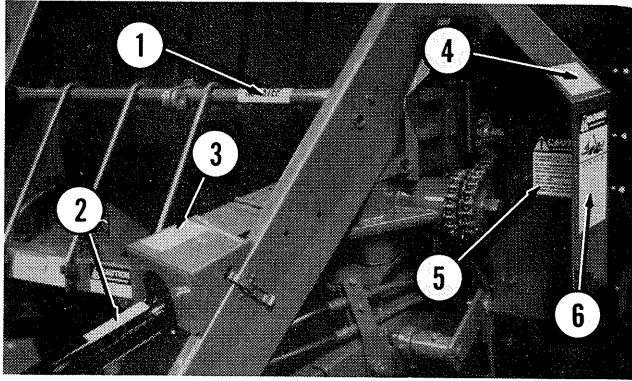
Use this list to order paint for refinishing:

901225	One Gallon Blaze Paint
901226	One Gallon Maize Paint
610239	6 (12oz Spray Cans) Blaze Paint
610240	6 (12oz Spray Cans) Maize Paint

For a complete Decal Set, order 089256 for the **RB1465** model Baler or 087205 for the **RB1865** model Baler.

Ref. No.	Part No.	Description & Quantity
1	080247	Decal - No Step (1 - 1465 or 2 - 1865)
2	080126	DANGER - Rotating Drive Line (2 Places)
3	067132	Decal - Shear Bolts
4	065982	Decal - Check Roller Chain Idlers
5	071711	CAUTION - 540 or 1000 Operation
6	080127	WARNING - Rotating Drive Line (2 Places)
7	075526	Decal - Bale Size Indicator 1-2-3-4-5 (1465 - Not Shown)
	075562	Decal - Bale Size Indicator 1-2-3- (1865)
	075561	Decal - Bale Size Indicator 4-5-6 (1865)
8	076172	Decal - Gehl (Front)
9	071935	WARNING - Moving Belts
10	084821	Decal - 1465 TDC (Not Shown)
	084826	Decal - 1865 TDC
11	060151	Decal - Belt Tension (2 Places)
12	074794	CAUTION - TDC Cylinder (2 Places)
13	067135	Decal - Chain Idler Adjustment
14	061187	Decal - Grease Fitting Symbol (13 Places)
15	071719	WARNING - Stay Clear of Gate (2 Places)
16	061832	Decal - Belt Tracking (2 Places)
17	076894	CAUTION - Operator's Responsibility & Read Operator's Manual
18	067493	Strip - Red Reflector (2 Places)
19	084819	Decal - 1465 Left Side (Not Shown)
	084828	Decal - 1865 Left Side
20	076177	Decal - Left Short Stripe (1465 - Not Shown)
	076182	Decal - Left Short Stripe (1865)
21	076171	Decal - Left Long Stripe (1465 - Not Shown)
	076180	Decal - Left Long Stripe (1865)
22	071714	CAUTION - Keep Door Closed & NEVER Ride on Machine (2 Places)
23	060138	Decal - Oil Level Mark (3 Places)
24	071715	WARNING - Disconnect PTO
25	060511	Decal - Jack Lifting Position
26	060510	Decal - Jack Storage Position
27	075470	Decal - Twine Tube Position Indicator (1465 - Not Shown)
	075563	Decal - Twine Tube Position Indicator (1865)
28	075472	Decal - Twine Tube Position Pointer
29	075652	Decal - Twine Replacement
30	075424	CAUTION - Restraint Bars
31	075423	DANGER - Never Hand-feed Material
32	071716	WARNING - Reservoir Contamination
33	075653	Decal - Reservoir Oil
34	075527	Decal - Pickup Adjustment
35	075496	WARNING - Belt Replacement
36	060147	Decal - Operating Instructions
37	060148	Decal - General Operating Instructions
38	073391	CAUTION - Operator's Manual Location
39	077682	CAUTION - General Safety Procedures
40	076173	Decal - Right Long Stripe (1465 - Not Shown)
	076179	Decal - Right Long Stripe (1865)
41	076176	Decal - Right Short Stripe (1465 - Not Shown)
	076181	Decal - Right Short Stripe (1865)
42	084820	Decal - 1465 Right Side (Not Shown)
	084827	Decal - 1865 Right Side

NOTE: Decal Locations for 1465 and 1865 Balers are identical, and therefore only the 1865 Baler is shown.



DECAL LOCATIONS

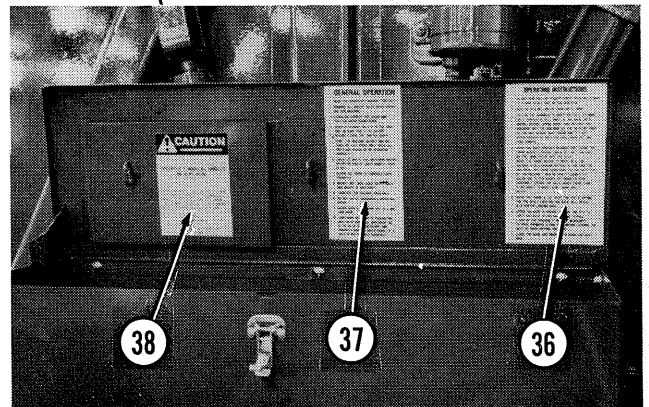
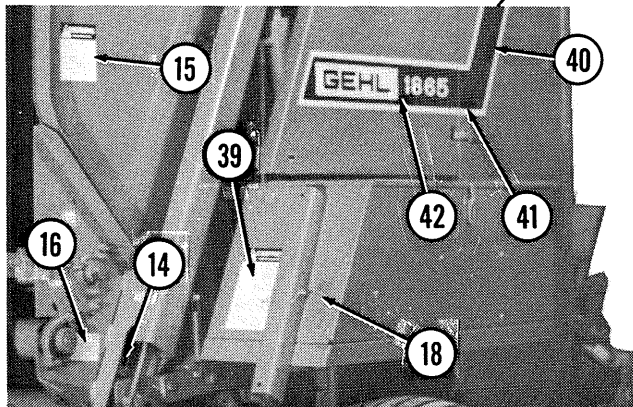
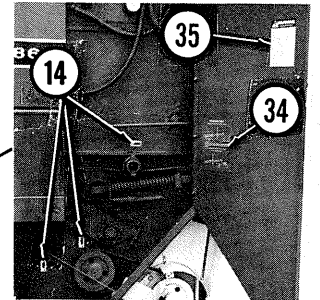
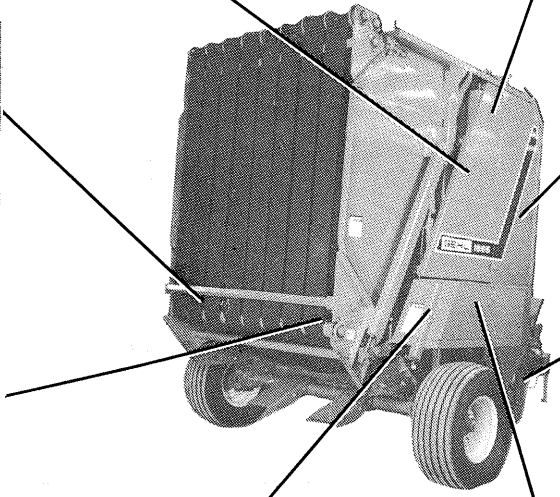
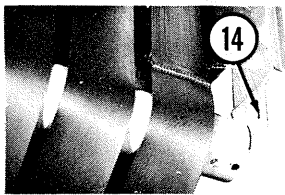
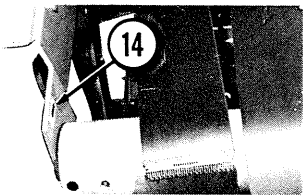
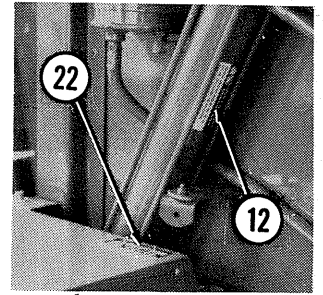
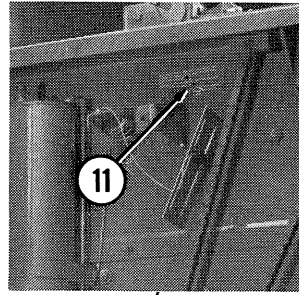
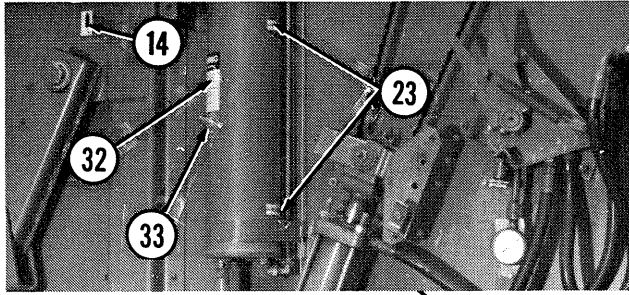
(Continued)

NOTE: This list is a repeat of the Decal List on the previous page and is provided for your convenience when selecting Decals from the second page of photographs.

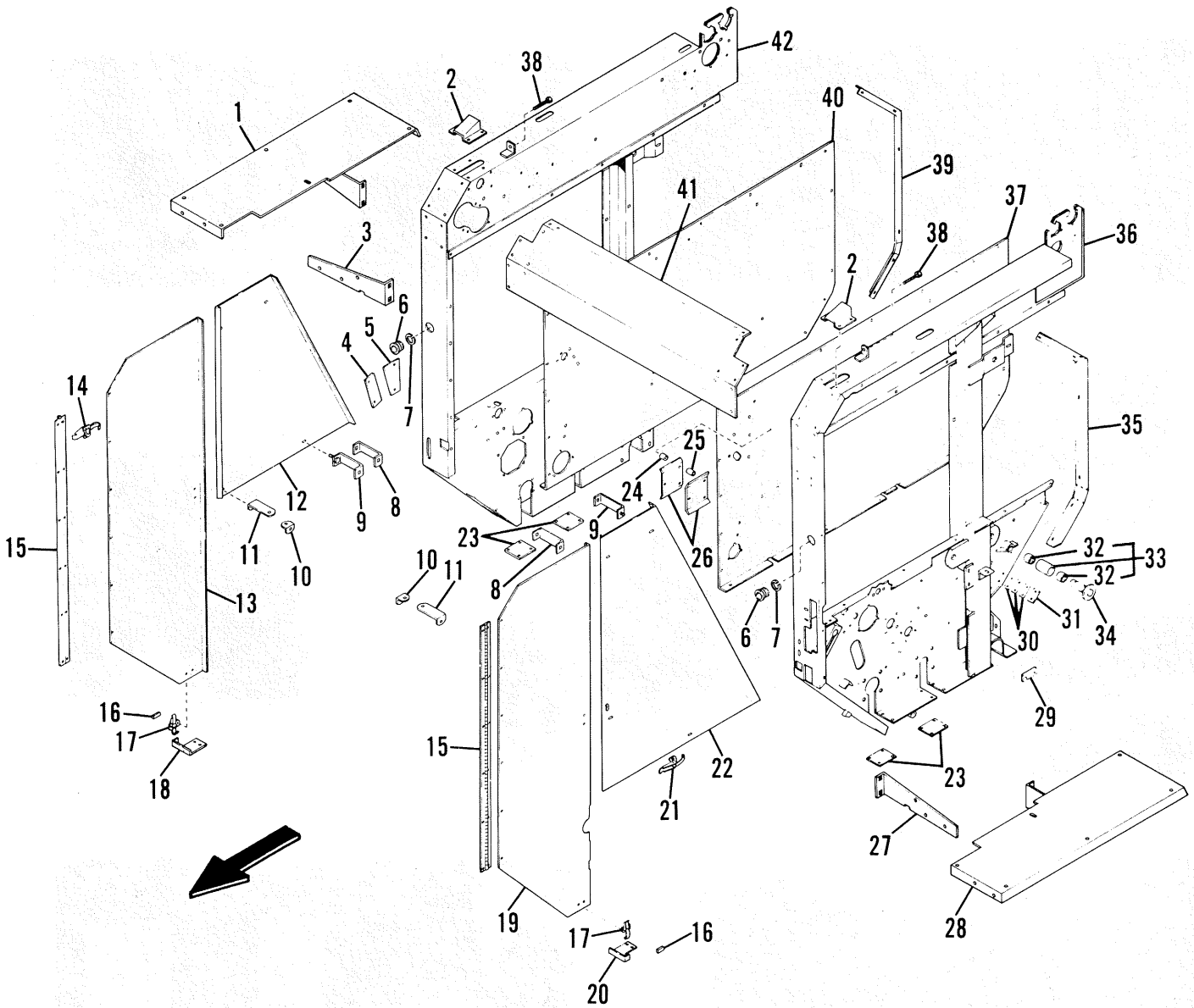
For a complete Decal Set, order 089256 for the **RB1465** model Baler or 087205 for the **RB1865** model Baler.

Ref. No.	Part No.	Description & Quantity
1	080247	Decal - No Step (1 - 1465 or 2 - 1865)
2	080126	DANGER - Rotating Drive Line (2 Places)
3	067132	Decal - Shear Bolts
4	065982	Decal - Check Roller Chain Idlers
5	071711	CAUTION - 540 or 1000 Operation
6	080127	WARNING - Rotating Drive Line (2 Places)
7	075526	Decal - Bale Size Indicator 1-2-3-4-5 (1465 - Not Shown)
	075562	Decal - Bale Size Indicator 1-2-3- (1865)
	075561	Decal - Bale Size Indicator 4-5-6 (1865)
8	076172	Decal - Gehl (Front)
9	071935	WARNING - Moving Belts
10	084821	Decal - 1465 TDC (Not Shown)
	084826	Decal - 1865 TDC
11	060151	Decal - Belt Tension (2 Places)
12	074794	CAUTION - TDC Cylinder (2 Places)
13	067135	Decal - Chain Idler Adjustment
14	061187	Decal - Grease Fitting Symbol (13 Places)
15	071719	WARNING - Stay Clear of Gate (2 Places)
16	061832	Decal - Belt Tracking (2 Places)
17	076894	CAUTION - Operator's Responsibility & Read Operator's Manual
18	067493	Strip - Red Reflector (2 Places)
19	084819	Decal - 1465 Left Side (Not Shown)
	084828	Decal - 1865 Left Side
20	076177	Decal - Left Short Stripe (1465 - Not Shown)
	076182	Decal - Left Short Stripe (1865)
21	076171	Decal - Left Long Stripe (1465 - Not Shown)
	076180	Decal - Left Long Stripe (1865)
22	071714	CAUTION - Keep Door Closed & NEVER Ride on Machine (2 Places)
23	060138	Decal - Oil Level Mark (3 Places)
24	071715	WARNING - Disconnect PTO
25	060511	Decal - Jack Lifting Position
26	060510	Decal - Jack Storage Position
27	075470	Decal - Twine Tube Position Indicator (1465 - Not Shown)
	075563	Decal - Twine Tube Position Indicator (1865)
28	075472	Decal - Twine Tube Position Pointer
29	075652	Decal - Twine Replacement
30	075424	CAUTION - Restraint Bars
31	075423	DANGER - Never Hand-feed Material
32	071716	WARNING - Reservoir Contamination
33	075653	Decal - Reservoir Oil
34	075527	Decal - Pickup Adjustment
35	075496	WARNING - Belt Replacement
36	060147	Decal - Operating Instructions
37	060148	Decal - General Operating Instructions
38	073391	CAUTION - Operator's Manual Location
39	077682	CAUTION - General Safety Procedures
40	076173	Decal - Right Long Stripe (1465 - Not Shown)
	076179	Decal - Right Long Stripe (1865)
41	076176	Decal - Right Short Stripe (1465 - Not Shown)
	076181	Decal - Right Short Stripe (1865)
42	084820	Decal - 1465 Right Side (Not Shown)
	084827	Decal - 1865 Right Side

NOTE: Decal Locations for 1465 and 1865 Balers are identical, and therefore only the 1865 Baler is shown.



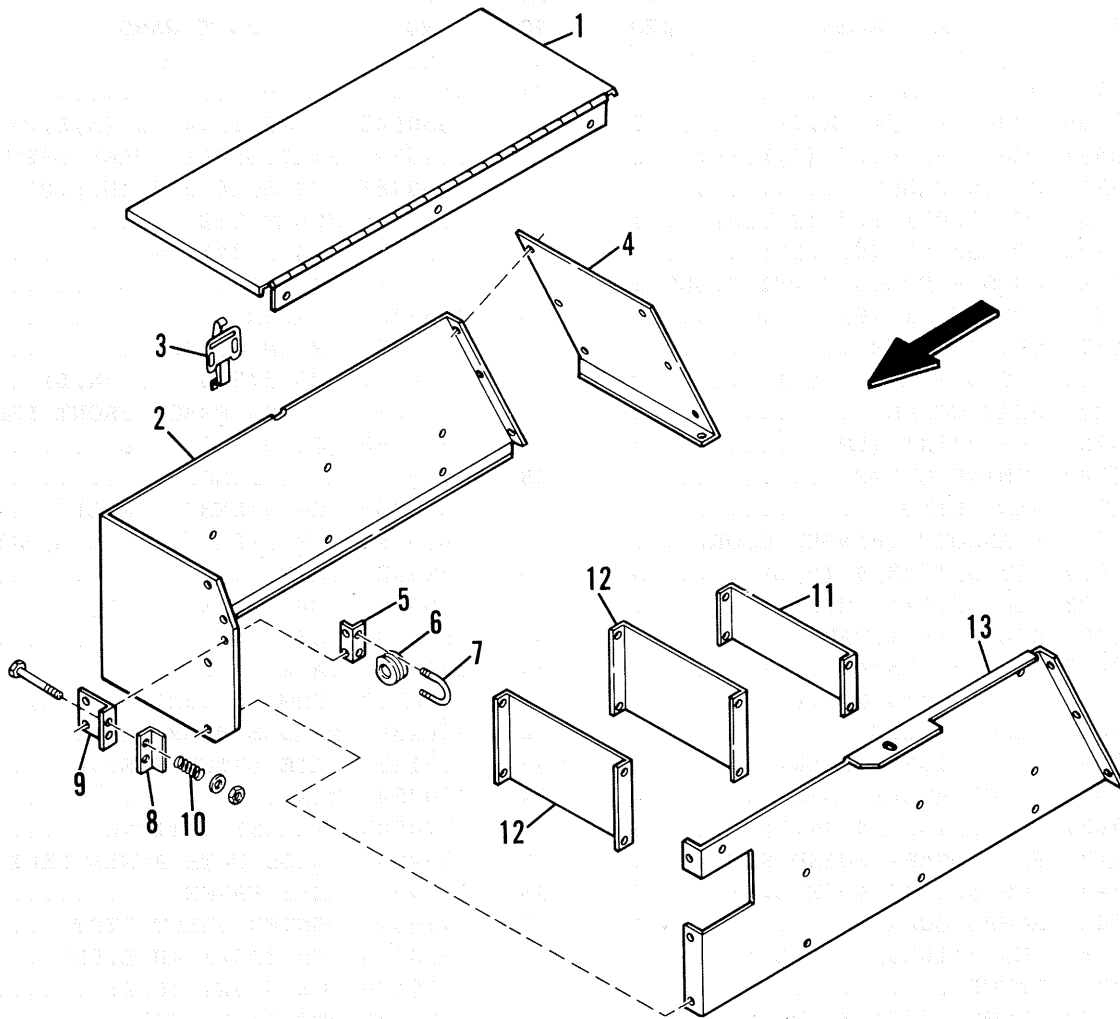
FRAME & FENDERS



FRAME & FENDERS

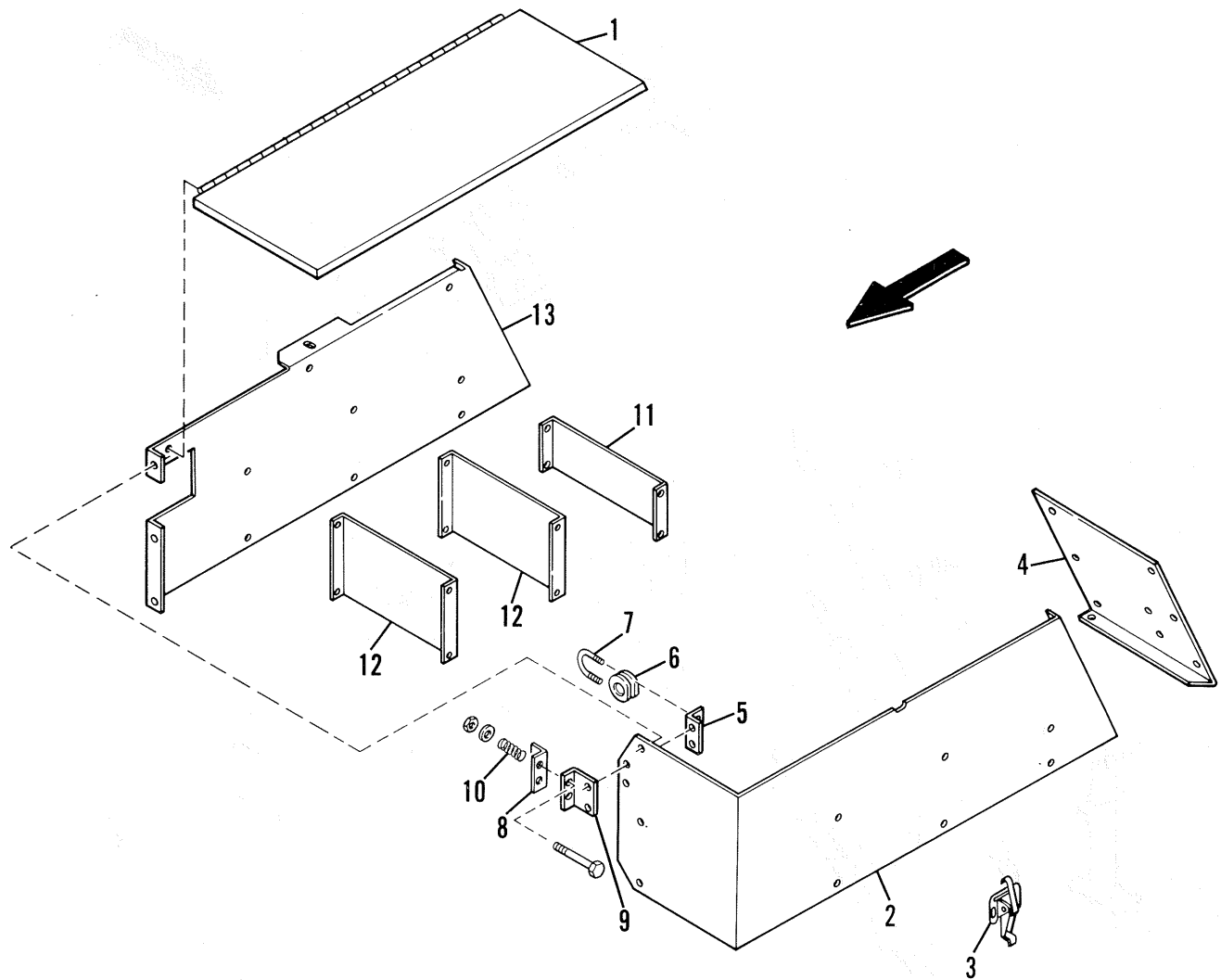
REF. NO.	PART NO.	PART NAME	NO. REQ.	REF. NO.	PART NO.	PART NAME	NO. REQ.
01	084671	RIGHT FENDER	1	21	054586	LATCH	2
	650790	CB 3/8X3/4 (N,L)	2		650943	THMS 1/4X1/2 (N,L,P) ..	4
	650491	CS 3/8X1-1/4 (N,L,6P) .	3	22	084679	STATIONARY GUARD LEFT ..	1
02	058326	CHAIN GUARD	2		650486	CS 5/16X3/4 (N,L,P) ...	2
	650491	CS 3/8X1-1/4 (N,L,P) ..	1	23	075733	FRAME TIE	4
	650490	CS 3/8X1 (N,L,2P)	7		650490	CS 3/8X1 (N,L)	16
03	084666	FENDER BRACE FRONT RIGHT	1	24	H6053B	SPACER	3
	650704	CB 3/8X1 (N,L)	2	25	056378	SPACER	3
04	075641	FRONT COVER	1	26	057122	CHAIN GUIDE	2
	650754	CB 5/16X1/2 (LN)	2		650731	CS 3/8X3-1/2 (N,L)	3
05	075642	REAR COVER	1	27	084665	FENDER BRACE FRONT LEFT	1
	650754	CB 3/8X1 (LN)	2		650490	CS 3/8X1 (N,L)	2
06	200-32423	TWINE GUIDE	2	28	084667	LEFT FENDER	1
07	076161	SNAP RING	2		650790	CB 3/8X3/4 (N,L)	2
08	076541	STANDOFF (HINGED DOOR) .	5		650491	CS 3/8X1-1/4 (N,L,6P) .	3
	650687	CB 5/16X3/4 (N,L)	3	29	059692	SHIM	2
	650573	CB 5/16X1 (N,L)	2		650573	CB 5/16X1 (N,L,P)	2
09	076540	STANDOFF (GUARD)	3	30	052588	SHIM	6
	650687	CB 5/16X3/4 (N,L)	3	31	066375	GATE STOP	2
		(3) 5/16 N,L,P			650362	FHMS 5/16X1-1/2 (N,L) .	4
10	076683	HINGE ANGLE	4	32	520139	NEEDLE BEARING	4
	650487	CS 5/16X1 (NILN)	4	33	073172	GATE LATCH SLEEVE	2
11	076684	HINGE ANGLE BASE	4	34	070754	PIN	2
	650687	CB 5/16X3/4 (N,L)	4		570005	GREASE FITTING	2
12	076543	STATIONARY GUARD RIGHT .	1	35	075498	GUIDE GATE ANGLE LEFT ..	1
	650486	CS 5/16X3/4 (N,L,P) ...	3	36	075479	LEFT FRAME	1
13	076544	RIGHT GUARD	1	37	071967	CENTER SHEET LEFT	1
	650486	CS 5/16X3/4 (N,L)	6		650704	CB 3/8X1 (N,L,8P)	12
14	054586	LATCH	2		650490	CS 3/8X1 (N,L)	8
	650943	THMS 1/4X1/2 (N,L,P) ..	4	38	062342	HTB 1/2X3-1/2	2
15	066467	HINGE	2			(4) 1/2 N	
	650486	CS 5/16X3/4 (N,L,P) ...	14	39	075497	GATE GUIDE ANGLE RIGHT .	1
16	076691	RUBBER STRIP	2	40	071965	CENTER SHEET RIGHT	1
17	079878	LATCH	2		650704	CB 3/8X1 (N,L,8P)	12
18	076546	LATCH HOOK BRACKET RIGHT	1		650490	CS 3/8X1 (N,L)	8
	650487	CS 5/16X1 (N,L)	2	41	066227	PANEL	1
19	076545	LEFT GUARD	1		650490	CS 3/8X1 (N,L)	14
	650486	CS 5/16X3/4 (N,L)	6	42	075473	RIGHT FRAME	1
20	076547	LATCH HOOK BRACKET LEFT	1				
	650487	CS 5/16X3/4 (N,L)	2				

LEFT TWINE BOX



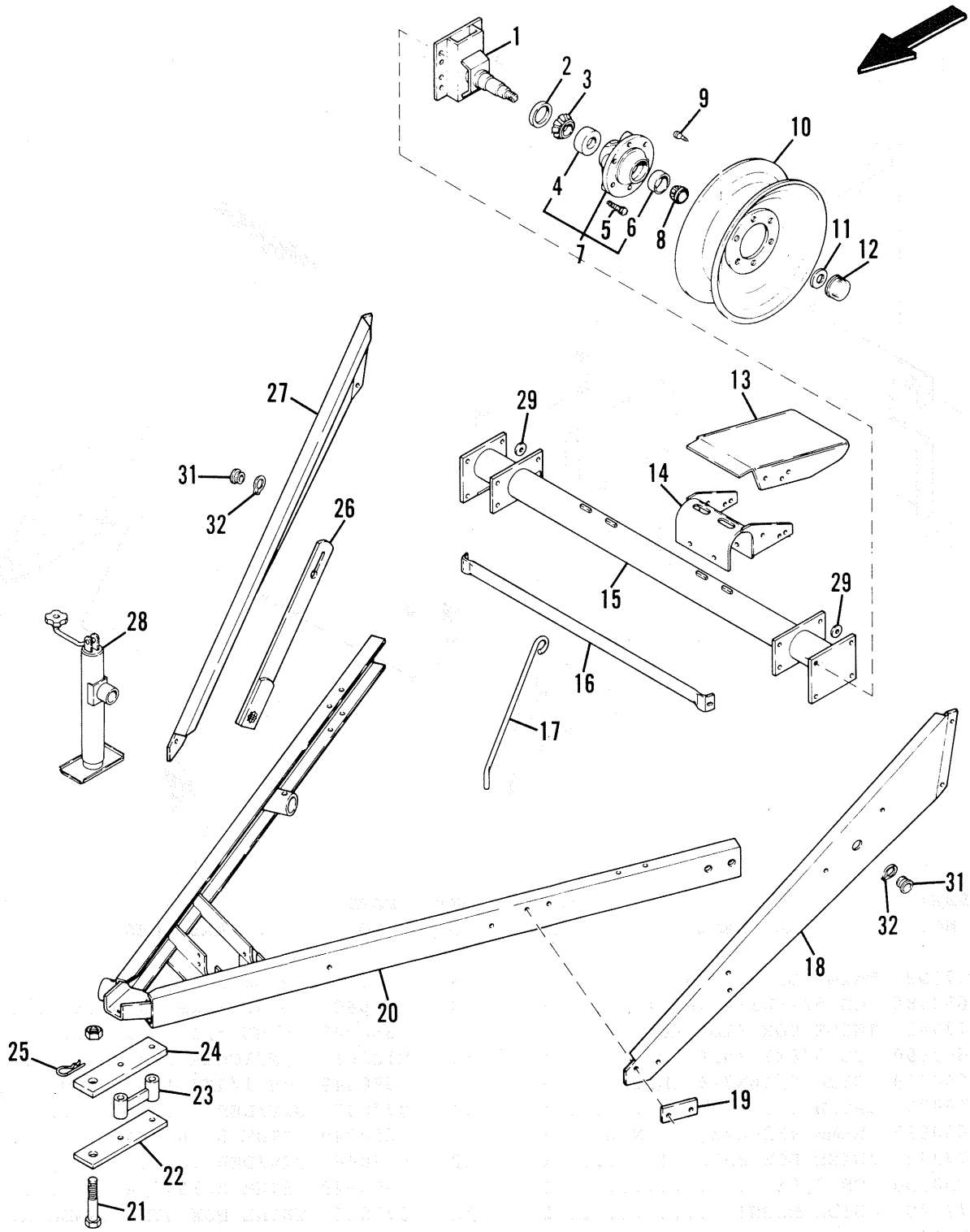
REF. NO.	PART NO.	PART NAME	NO. REQ.	REF. NO.	PART NO.	PART NAME	NO. REQ.
01	087600	TWINE BOX COVER LT.	1	08	076892	TWINE BRAKE	1
	650486	CS 5/16X3/4 (N,L)	3	09	084680	TWINE TENSION MOUNT	1
02	084673	TWINE BOX SIDE LT.	1		650949	STHM 5/16X3/4	2
	650490	CS 3/8X1 (N,L,2P)	1	10	M12361	TENSIONER SPRING	2
	650949	STHM 5/16X3/4 (N,L)	6		650449	CS 1/4X2-1/2 (LN,P)	2
03	079878	LATCH	1	11	077847	DIVIDER	1
	650812	RHMS #12-24X1/2 (N,L)	2		650949	STHM 5/16X3/4	4
04	084675	TWINE BOX BACK LT.	1	12	077846	DIVIDER	2
	650490	CS 3/8X1	1		650949	STHM 5/16X3/4	8
05	077848	GUIDE MOUNT	1	13	084674	TWINE BOX SIDE INNER LT.	1
06	059721	ROPE GUIDE	1		650949	STHM 5/16X3/4	3
07	B11069	U-BOLT	1				
		(2) 5/16LN					

RIGHT TWINE BOX



REF. NO.	PART NO.	PART NAME	NO. REQ.	REF. NO.	PART NO.	PART NAME	NO. REQ.
01	087599	TWINE BOX COVER RT.	1	08	076892	TWINE BRAKE	1
	650486	CS 5/16X3/4 (N,L)	3	09	084680	TWINE TENSION MOUNT	1
02	077843	TWINE BOX SIDE RT.	1		650949	STHM 5/16X3/4	2
	650490	CS 3/8X1 (N,L,2P)	1	10	M12361	TENSIONER SPRING	2
	650949	STHM 5/16X3/4 (N,L)	6		650449	CS 1/4X2-1/2 (LN,P)	2
03	079878	LATCH	1	11	077847	DIVIDER	1
	650812	RHMS #12-24X1/2 (N,L)	3		650949	STHM 5/16X3/4	4
04	077845	TWINE BOX BACK RT.	1	12	077846	DIVIDER	2
	650490	CS 3/8X1	1		650949	STHM 5/16X3/4	8
05	077848	GUIDE MOUNT	1	13	077844	TWINE BOX SIDE INNER RT.	1
06	059721	ROPE GUIDE	1		650949	STHM 5/16X3/4	3
07	B11069	U-BOLT	1				
		(2) 5/16 LN					

DRAWBAR, AXLES & RAMPS

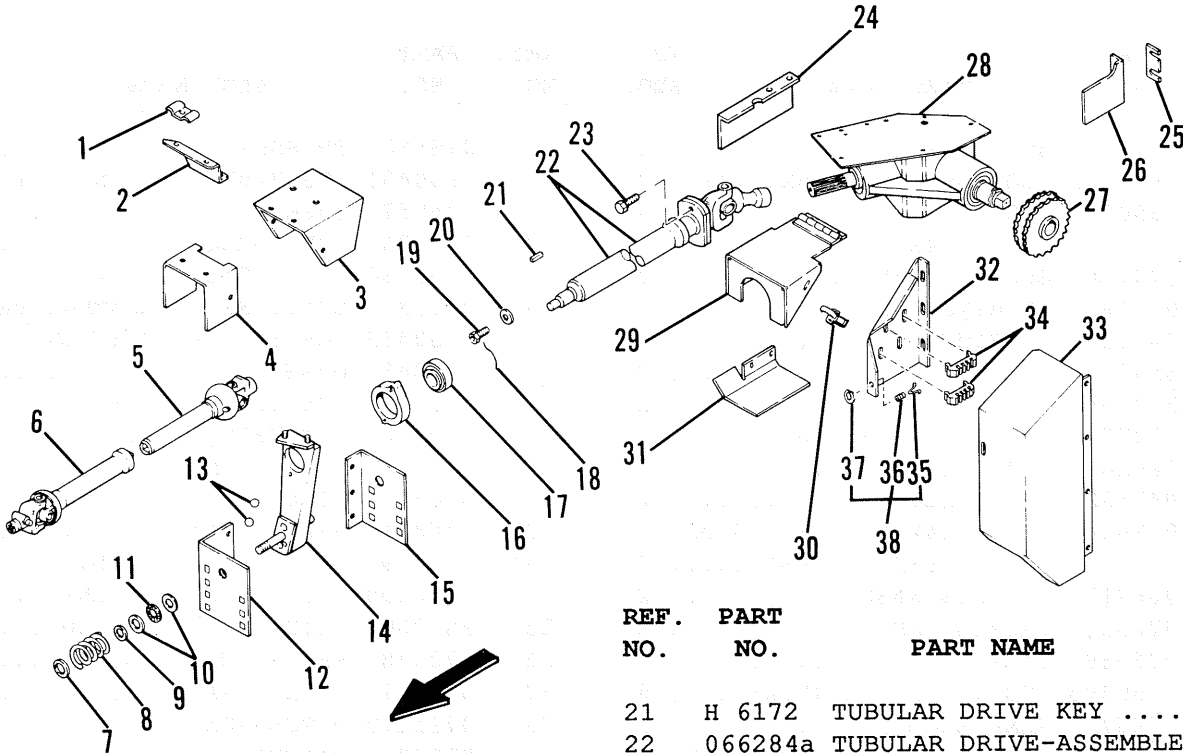


DRAWBAR, AXLES & RAMPS

REF. NO.	PART NO.	PART NAME	NO. REQ.	REF. NO.	PART NO.	PART NAME	NO. REQ.
01	084682	ADJUSTABLE AXLE	2	16	075550	CROSSBAR	1
	655020	COTTER PIN 3/16X1-1/2 .	2		650491	CS 3/8X1-1/4 (N,L,P) ..	2
	650569	CS 1/2X1-3/4 (N,L)	8	17	075557	SAFETY TINE	4
		(2) 3/4NF-CN,P		18	072026	LEFT BRACE	1
02	079716	GREASE SEAL	2		650490	CS 3/8X1 (NILN)	2
03	042163	BEARING CONE	2	19	072032	BRACE REINFORCEMENT PAD	2
04	042162	BEARING CUP	2		650453	CS 1/2X1-1/2 (NILN) ...	4
05	550041	WHEEL BOLT	12	20	075341	DRAWBAR	1
06	520054	BEARING CUP	2		650649	CS 3/4X2 (N,L)	3
07	080795a	WHEEL HUB-ASSEMBLED	2	21	070880	HITCHPIN	1
08	520201	BEARING CONE	2			(1) 1" N,P	
09	045582	TIRE VALVE	2	22	070877	LOWER DRAWBAR CLIP	1
10	072624	WHEEL 14X18KB (FOR 9.5L X 14, 6-PLY TIRE)	2	23	076821	SPACER CLIP	1
11	066717	SPINDLE WASHER	2	24	070879	UPPER DRAWBAR CLIP	1
12	076586	GREASE CAP	2		650499	CS 5/8X5-1/2 (LN)	4
13	076568	RAMP	2	25	9H 300	HAIRPIN COTTER PIN	1
	650495	CS 1/2X1-1/4 (N,L)	8	26	072478	REVERSING WRENCH	1
14	076678	RAMP ANCHOR	2	27	072027	RIGHT BRACE	1
	088854	RAMP ANCHOR HI MOISTURE	2	28	071117b	HITCHJACK	1
		(FOR EXPORT UNITS ONLY)		29	071520	WASHER	8
	650653	CS 1/2X4-1/2 (NILN) ...	4	30	200-32423	TWINE GUIDE	2
15	076566	AXLE	1	31	076161	SNAP RING	2
	650569	CS 1/2X1-3/4 (NILN,L) .	8				

- a) INCLUDES BEARING CUPS
b) FOR BREAKDOWN, SEE PAGE TITLED
HITCHJACK

IMPLEMENT DRIVE LINE SHIELDS & COVERS



REF. NO.	PART NO.	PART NAME	NO. REQ.
01	018453	HOSE CLAMP	2
	650433	CS 1/2X1-1/2 (NILN) ...	2
02	060295	HOSE MOUNT	1
03	059765	PTO GUARD	1
		(2) 5/16 N,L	
04	059766	SHIELD/PTO	1
	650448	CS 1/4X3/4 (LN,P)	2
05	061125a	JOINT W/SPLINE TUBE ...	1
06	089829a	JOINT W/SPLINE SHAFT ...	1
	061124a	JOINT W/SPLINE SHAFT ...	1
07	D932A	WASHER	1
08	056211	COMPRESSION SPRING	1
09	H8054	TRANSM. BEARING SHIM ...	1
10	520136	THRUST WASHER	2
11	520135	THRUST BEARING	1
12	059754	PTO MOUNT	1
	650834	CB 1/2X1-1/2 (NILN,L,2P)	3
13	666002	STEEL BALL 3/4" DIA. ...	2
14	059757	PTO PEDESTAL	1
		(1) 1" JN	
15	059756	PTO ADJUST. REAR PLATE .	1
	650834	CB 1/2X1-1/2 (NILN,L,P)	2
	650491	CS 3/8X1-1/4 (N,L)	3
16	046754	BEARING HOUSING	1
	650533	CS 1/2X1-1/2 (N,L)	2
17	520066	BEARING	1
18	061006	JOINT SCREW LOCK WIRE ..	1
19	060979	CAP SCREW 1/2NFX1-1/4 ..	1
20	071520	WAHSER	1

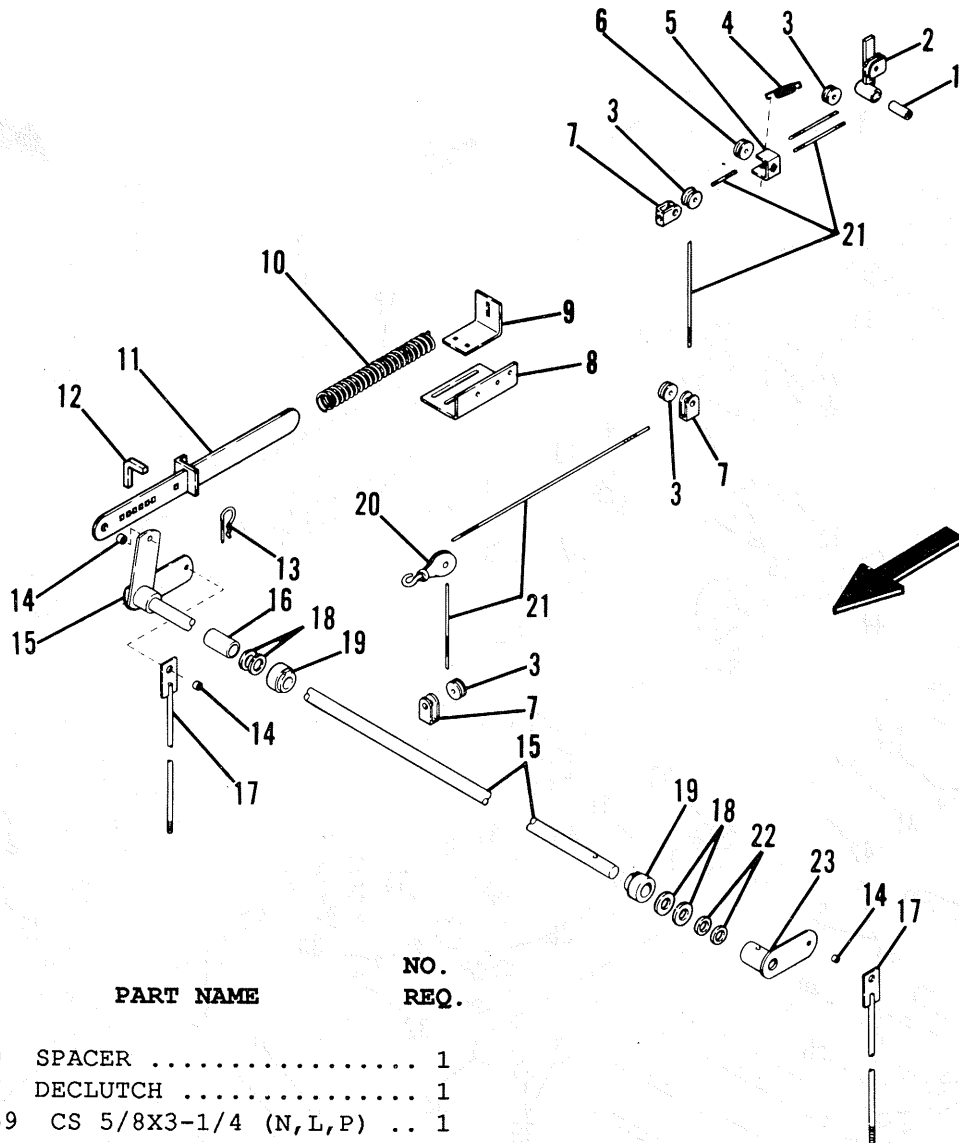
REF. NO.	PART NO.	PART NAME	NO. REQ.
21	H 6172	TUBULAR DRIVE KEY	1
22	066284a	TUBULAR DRIVE-ASSEMBLED	1
23	061700	SHEAR BOLT 5/16X1-3/4 GR2 (NILN)	2
24	066280	UNIVERSAL REAR GUARD ...	1
	650486	CS 5/16X3/4 (N,L)	2
25	059692	SHIM	10
26	066396	SUPPORT	1
	650569	CS 1/2X1-3/4 (N,L,P) ..	2
27	067166c	DOUBLE SPROCKET (21T/21T)	1
	655536	WOODRUFF KEY 3/8X1-1/4	1
28	074671b	TRANSMISSION-ASSEMBLED .	1
	650495	CS 1/2X1-1/4 (L)	4
	570016	RELIEF FITTING	1
29	075450	UNIVERSAL GUARD	1
	650486	CS 5/16X3/4 (N,L)	2
30	079878	LATCH	1
	650812	RHMS #12-24X1/2 (N,L) .	2
31	075464	GUARD	1
32	065674	TRANSMISSION SIDE GUARD	1
	650486	CS 5/16X3/4 (N,L,P) ...	3
33	065721	TRANSMISSION GUARD	1
	650448	CS 1/4X3/4 (N,L)	4
34	059272	SHEAR BOLT HOLDER	2
35	055692	LATCH CLIP	2
36	055691	LATCH SPRING	2
37	055690	LATCH HANDLE	2
38	079878	LATCH ASSEMBLY	2

a) FOR BREAKDOWN, SEE PAGE TITLED UNIVERSAL DRIVES

b) FOR BREAKDOWN, SEE PAGE TITLED TRANSMISSION

c) WHEN REPLACING SPROCKET, ORDER 655536 WOODRUFF KEY

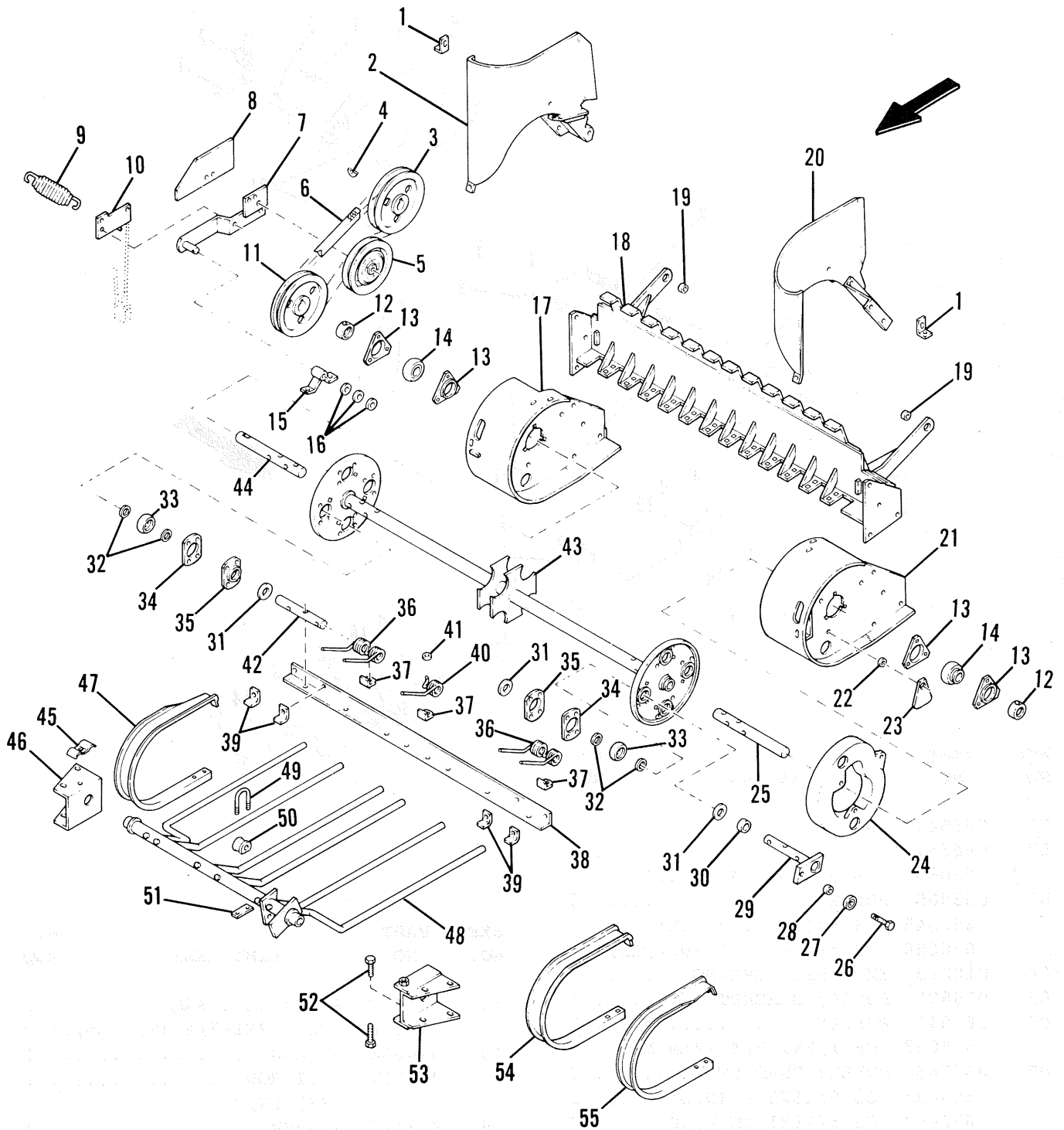
PICKUP LIFT & OVERFILL CLUTCH



REF. NO.	PART NO.	PART NAME	NO. REQ.
01	066540	SPACER	1
02	066537	DECLUTCH	1
	650859	CS 5/8X3-1/4 (N,L,P)	1
03	053900	PULLEY	3
	650545	CS 5/16X1-1/4 (LN)	3
	650859	CS 5/16X1-3/4 (N,L,LN)	1
04	U10063	EXTENSION SPRING	1
05	075829	PULLEY BRACKET	1
06	066542	PULLEY	1
	078033	CB 1/2X1-3/4 (2LN,L)	1
07	056145	PULLEY BRACKET	2
	650486	CS 5/16X3/4 (N,L)	1
	650487	CS 5/16X1 (N,L,1P)	2
08	075399	STOP BRACKET RIGHT	1
	650490	CS 3/8X1 (1N,L)	3
09	075401	SPRING SUPPORT BRACKET	1
	650786	CB 3/8X1-1/4 (N,L,P)	2
10	C 133	SPRING	1
11	071884	SPRING GUIDE	1
12	071886	STOP PIN	1
13	9H 300	HAIR PIN COTTER PIN	1
14	065703	SPACER	3

REF. NO.	PART NO.	PART NAME	NO. REQ.
15	075458	RIGHT LIFT ARM	1
	650569	CS 1/2X1-3/4 (N,L,LN,P)	2
16	070868	SPACER	1
17	075507	LIFT ROD	2
		(2) LN,P	
18	H 7165	WASHER	4
19	065679	PIVOT	2
	570002	GREASE FITTING	2
20	089760	PULLEY	1
	650486	CS 5/16X3/4 (LN,P)	1
21	070605	WIRE CABLE	1
22	H 267A	WASHER	2
23	075465	PICKUP LIFT ARM LEFT	1
	650492	CS 3/8X2-1/2 (LN)	2
	650569	CS 1/2X1-3/4 (NILN,P)	1

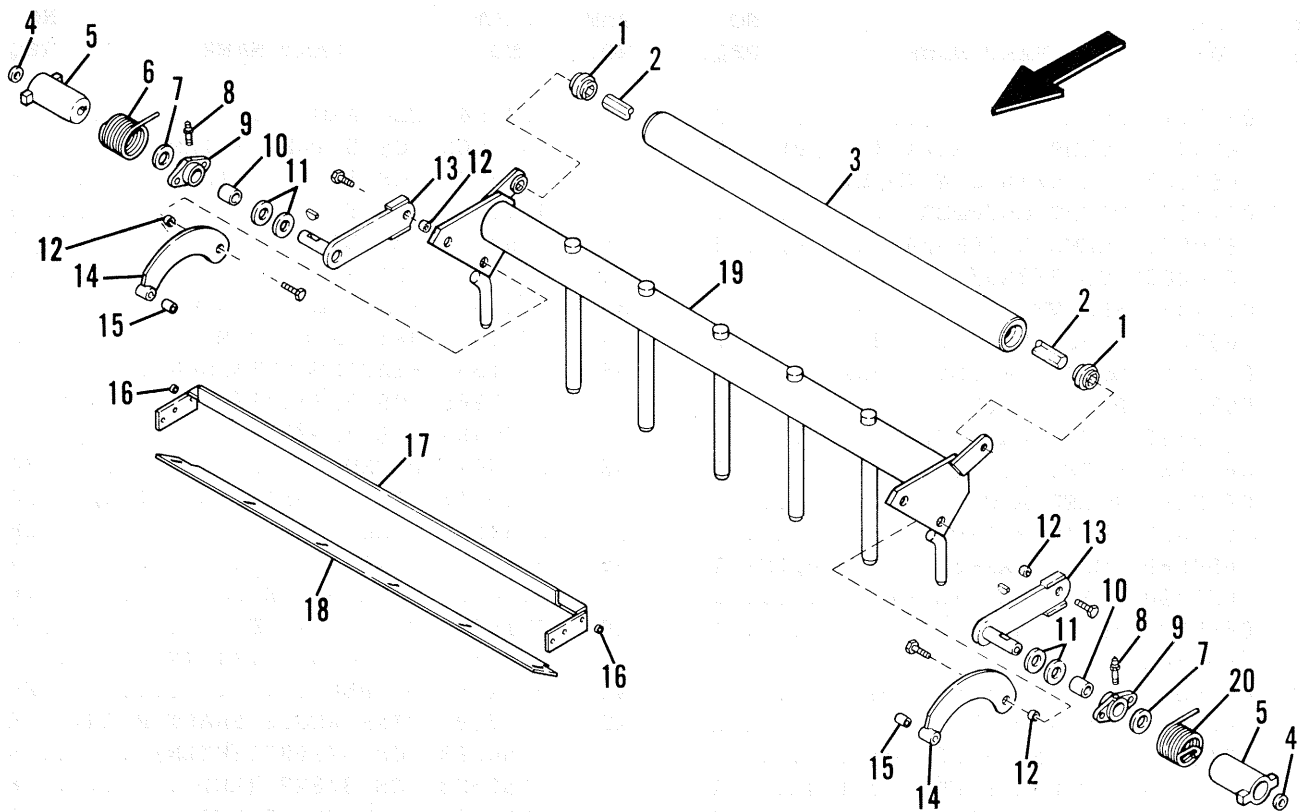
PICKUP



PICKUP

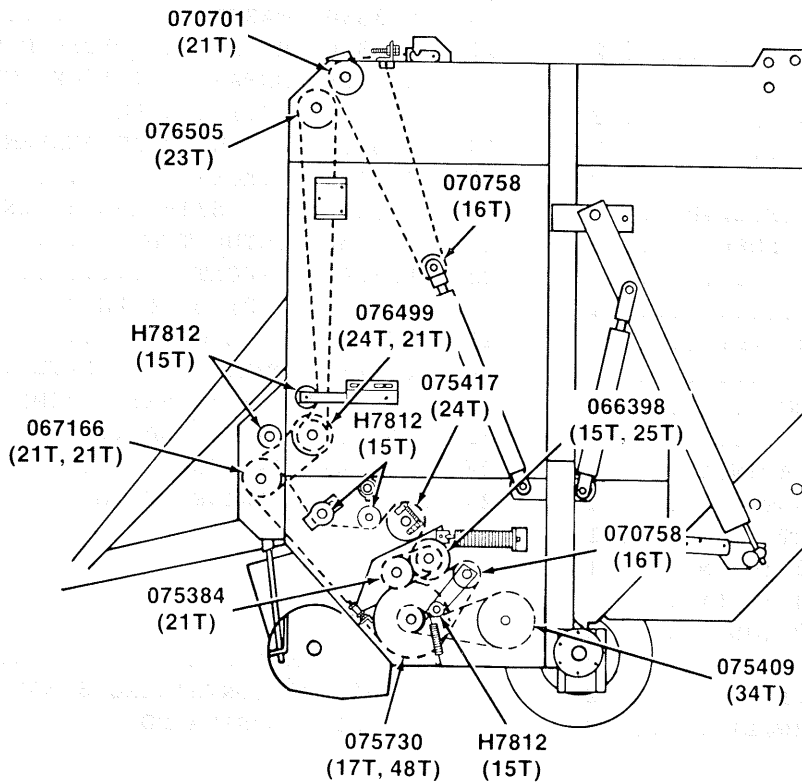
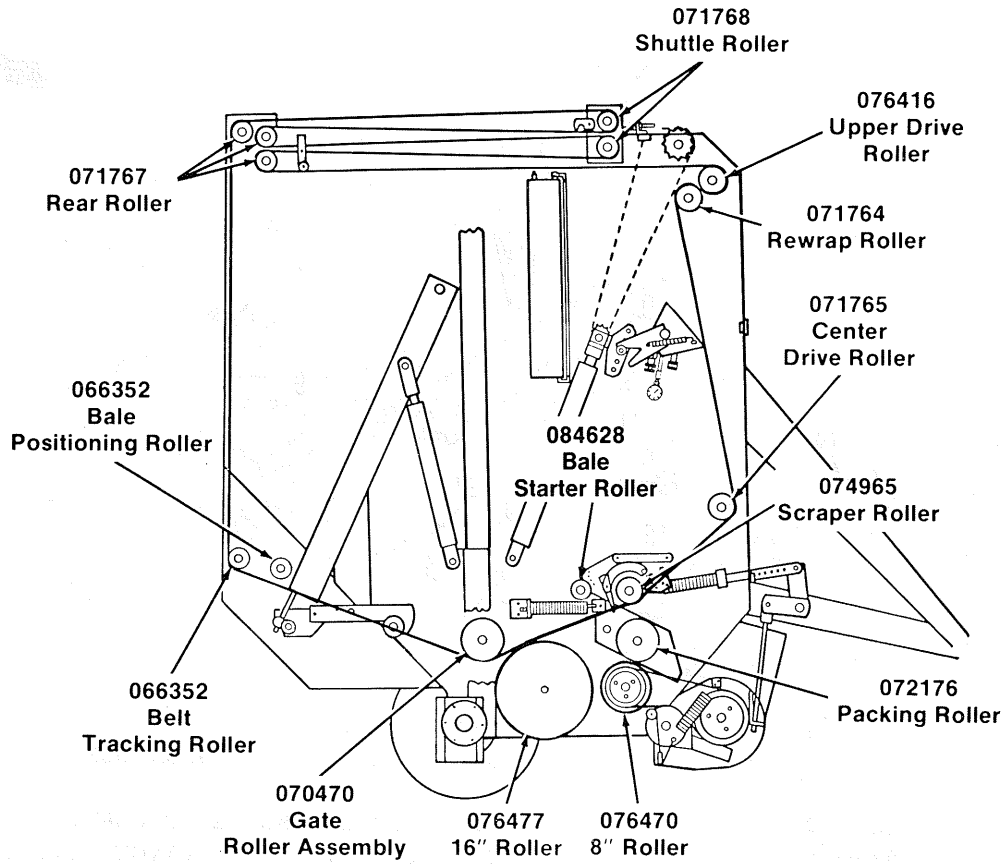
REF. NO.	PART NO.	PART NAME	NO. REQ.	REF. NO.	PART NO.	PART NAME	NO. REQ.
01	066511	ANGLE	2	29	072554	CAM ARM	4
	650949	THMS 5/16X3/4 (N,L,P)	2		650568	CS 5/16X2 (NILN)	4
	650687	CB 5/16X3/4 (N,L)	2		650528	CS 3/8X2 (NILN)	8
02	071627	RIGHT CROWDER	1	30	071605	SPACER	4
	650949	THMS 5/16X3/4 (N,L,P)	3	31	066487	WASHER	12
	650488	CB 3/8X3/4 (N,L)	1	32	041881	OIL SEAL	16
03	076732	SHEAVE 7-5/8" DIA.	1	33	056249	SINTERED BEARING	8
	650213	SHSS-SL 3/8X3/8	2	34	071606	RETAINER SHIM	8
04	073846	WOODRUFF KEY 1/4X1	1	35	H 7125	BEARING RETAINER	8
05	053688	BELT IDLER	1		650965	CS 3/8X1-1/4 GR. 8(N,L)	4
	650547	CS 5/8X2 (N,L,P)	1		650488	CS 3/8X3/4 (N,L)	28
06	067516	V-BELT	1	36	071607	PICKUP TINE	24
07	066526	IDLER ARM	1		650545	CS 5/16X1-1/4 (NILN)	20
	655020	COTTER PIN 3/16X1-1/2	1	37	066492	TINE CLIP	28
	650569	CS 3/8X1-3/4 (N,L,P, LN)	1	38	071608	TINE SUPPORT	4
	650490	CS 3/8X1 (N,L)	1	39	071048	TINE BAR SPACER	16
08	066532	IDLER SHIELD	1	40	071939	PICKUP TINE	4
	650542	CS 1/4X1/2 (L)	2		650545	CS 5/16X1-1/4 (NILN)	4
09	066531	EXTENSION SPRING	1	41	042135	WASHER	20
10	066528	TENSION PLATE	1	42	071609	TINE ANGLE SHAFT RIGHT	4
11	071635	SHEAVE 8-1/2" DIA.	1		650568	CS 5/16X2 (NILN)	4
	650513	WOODRUFF KEY-HD 1/4X1	1		650528	CS 3/8X2 (LN)	8
	650213	SHSS-SL 3/8X3/8	2	43	071970	CARRIER PICKUP	1
12	520085	COLLAR	2		650528	CS 3/8X2 (LN)	8
13	027003	BEARING RETAINER	4	44	071601	PICKUP SHAFT RIGHT	1
	650704	CB 3/8X1 (N,L)	6	45	018453	HOSE CLAMP	1
14	520065	BEARING	2		650495	CS 1/2X1-1/4 (N,L,P)	1
15	066533	IDLER PIVOT	1	46	071645	MOUNTING BRACKET RIGHT	1
	650490	CS 3/8X1 (N,L)	2		650545	CS 5/16X1-1/4 (N,L,P)	2
	570009	GREASE FITTING	1		650487	CS 5/16X1 (N,L,P)	2
16	H 8354	RETAINER WASHER	3	47	075650	TINE GUIDE RIGHT	1
17	071620	RIGHT HEADER	1		650790	CB 3/8X3/4 (2N, 2L, 1LN, 1P)	3
18	072014	HANGER STRIPPER	1	48	075467	HOLDDOWN	1
	650490	CS 3/8X1 (N,L)	7	49	075460	U-BOLT (2) 5/16 LN	1
19	057512	PIVOT BUSHING	2	50	059721	ROPE GUIDE	1
	650498	CS 1/2X6 (NILN, 4P)	2	51	075499	STRAP	1
20	071631	LEFT CROWDER	1	52	071646	CAP SCREW 1/2X2 (2) 1/2 N	2
	650949	THMS 5/16X3/4 (N,L,P)	3	53	071643	MOUNTING BRACKET LEFT	1
	650488	CS 3/8X3/4 (N,L)	1		650545	CS 5/15X1-1/4 (N,L,P)	2
21	072557	LEFT HEADER	1		650487	CS 5/16X1 (N,L,P)	2
22	058807	WASHER	1	54	071637	TINE GUIDE	15
23	071626	COVER	1		650790	CB 3/8X3/4 (N,L, 25LN, 25P)	15
24	069531	PICKUP CAM	1	55	075651	TINE GUIDE LEFT	1
	650495	CS 1/2X1-1/4 (NILN)	2		650790	CB 3/8X3/4 (2N, 2L, 1LN, 1P)	3
	650453	CSX1-1/2 (NILN, P)	1				
25	066480	PICKUP LEFT SHAFT	1				
26	066490	CS W/PATCH 1/2X1-1/2	4				
27	520175	BALL BEARING	4				
28	066489	CAM ROLLER SPACER	4				

BALE STARTER & SCRAPER

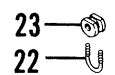
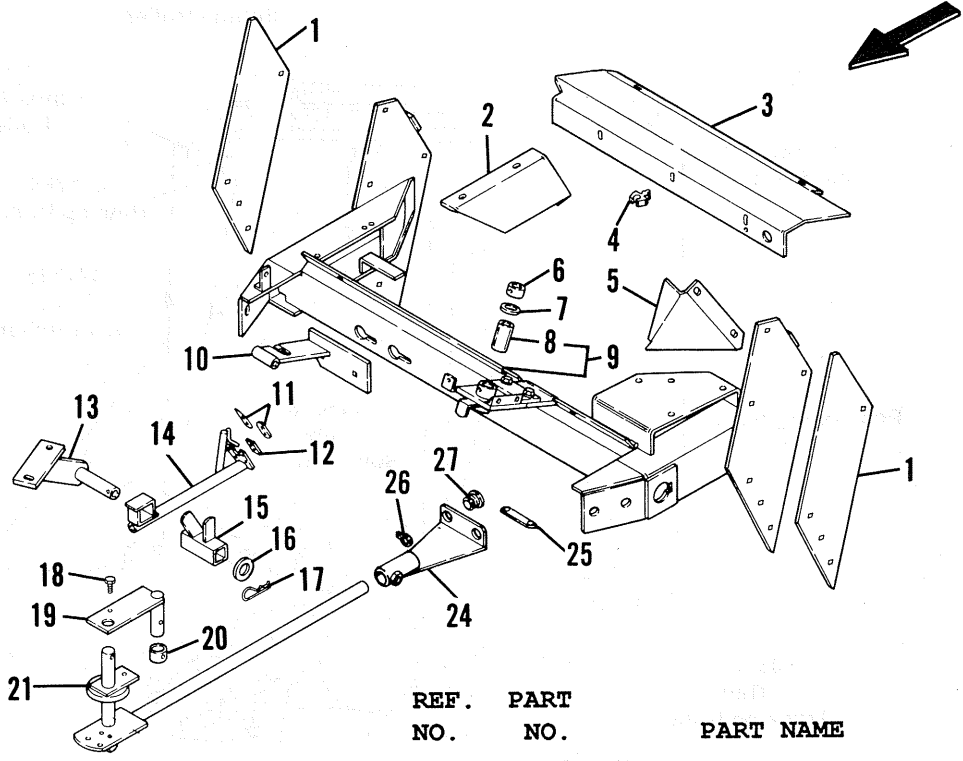


REF. NO.	PART NO.	PART NAME	NO. REQ.	REF. NO.	PART NO.	PART NAME	NO. REQ.
01	084630	BEARING	2	13	084625	BALE STARTER ARM	2
02	084627	BALE STARTER SHAFT	1		650513	WOODRUFF KEY 1/4X1	2
	650494	CS 1/2X1 (L)	2	14	084622	LINK	2
03	084628	BALE STARTER ROLL	1	15	070804	SPACER PIVOT	2
04	063586	WASHER	2		650818	CS 3/8X3 (L,P,NILN)	2
	650491	CS 3/8X1-1/4 (L)	2	16	061501	SPACER	2
05	070797	SPRING PLUG	2	17	075694	SCRAPER	1
06	070798	BALE STARTER SPRING RT	1		650490	CS 3/8X1 (N)	4
07	066487	WASHER	2	18	075699	BLADE	1
08	064389	LUBE FITTING	2		088809	BEVELED HI MOIST. BLADE (FOR EXPORT UNITS ONLY)	1
09	070791	BALE STARTER BEARING	2		650487	CS 5/16X1 (L,P)	8
	650491	CS 3/8X1-1/4 (LN,L)	4	19	084616	BALE STARTER	1
10	070795	SLEEVE	2	20	070796	BALE STARTER SPRING LEFT	1
11	066487	WASHER	4				
12	084624	SPACER	4				
	650453	CS 1/2X1-1/2 (P,LN)	4				

SPROCKET & ROLLER PART NUMBER GUIDE



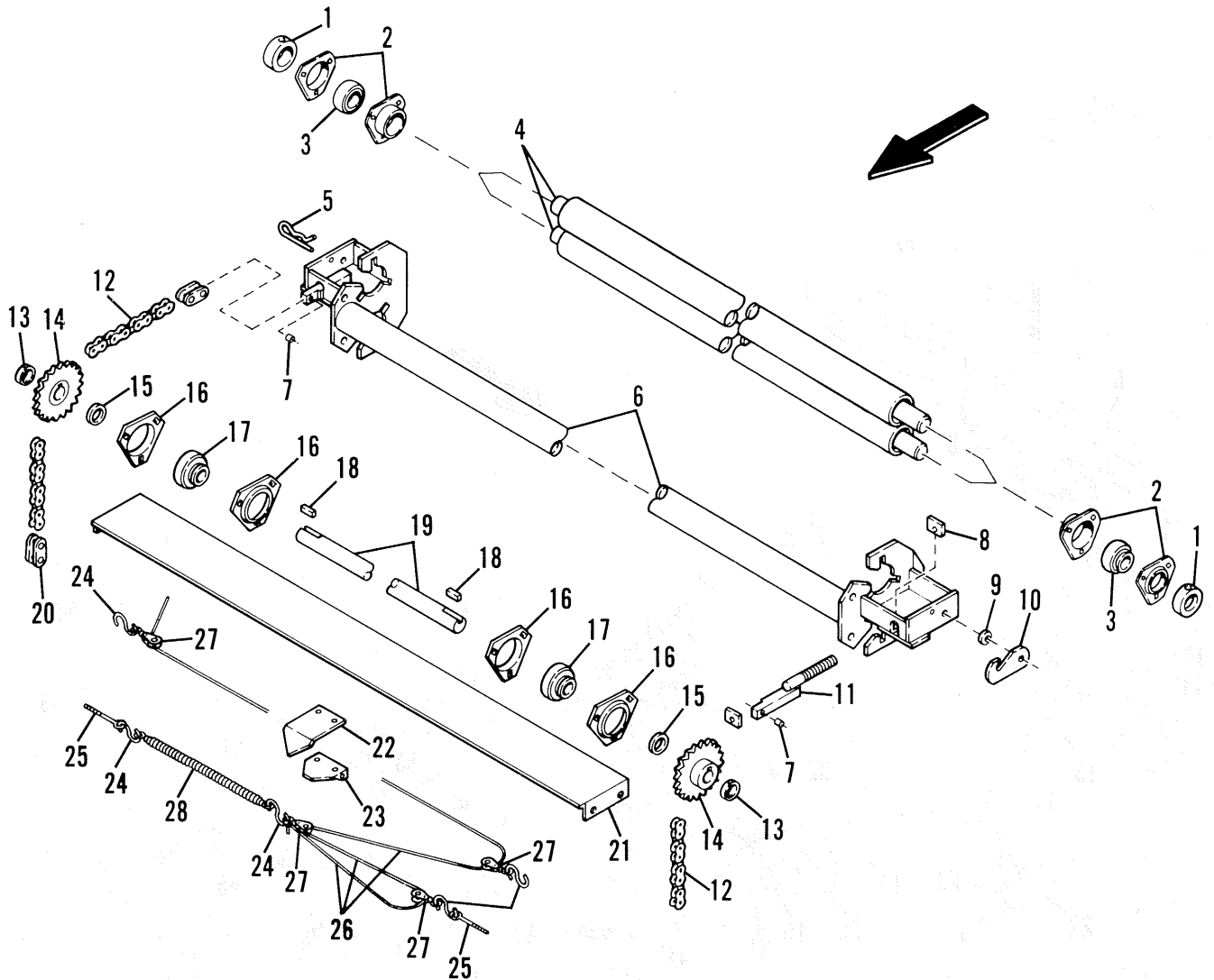
CROSSFRAME, TWINE TUBES & CUTOFF



REF. NO.	PART NO.	PART NAME	NO. REQ.	REF. NO.	PART NO.	PART NAME	NO. REQ.
01	070691	FILLER PLATE	2	12	057920	KNIFE SPACER	1
02	075426	KNIFE COVER	1	13	075941	KNIFE PIVOT	1
	650487	CS 5/16X1 (N,L,P)	2		650495	CS 1/2X1-1/4 (N,L)	2
03	075422	FRONT COVER	1	14	075937	KNIFE	1
	650487	CS 5/16X1 (N,L,P)	2	15	084656	KNIFE LIFT ARM	1
	650486	CS 5/16X3/4 (N,L,4P)	3	16	H 8330	WASHER	1
04	075461	SAFETY TINE HOLDER	3	17	9H 300	HAIR PIN COTTER PIN	1
05	075688	DEFLECTOR	1	18	061708a	SHEAR BOLT 1/4X1 GR. 2	1
06	075447	COLLAR	1			(1) 1/4 LN	
	650579	CS 3/8X1-3/4 (LN)	1	19	075427	CYLINDER ATTACHMENT ARM	1
07	17H140	WASHER	1	20	059708	SPACER	1
08	075331	BRONZE BUSHING	1		650692	CS 5/16X1-3/4 (LN)	1
09	075325	FRONT FRAME	1	21	084658	TWINE TUBE	1
	650786	CB 3/8X1-1/4 (N,L)	8	22	B11069	U-BOLT	1
	570019	FITTING/GREASE	1			(2) 5/16 LN	
10	075440	CYLINDER MOUNT	1	23	059721	ROPE GUIDE	1
	650918	CS 1/2X7-1/2 (NILN)	1	24	084661	DUAL TWINE PLATE	1
	650527	CS 1/2X1-1/4 (N,L)	2		650484	CS 5/16X1/2 (LN)	1
	650453	CS 1/2X1-1/2 (JN)	1	25	084664	TWINE BAR	2
11	057919	TWINE KNIFE	2	26	076161	SNAP RING	2
	650835	CS 1/4X1 (N,L)	2	27	200-32423	TWINE GUIDE	2
	650448	CS 1/4X3/4 (N,L)	2				

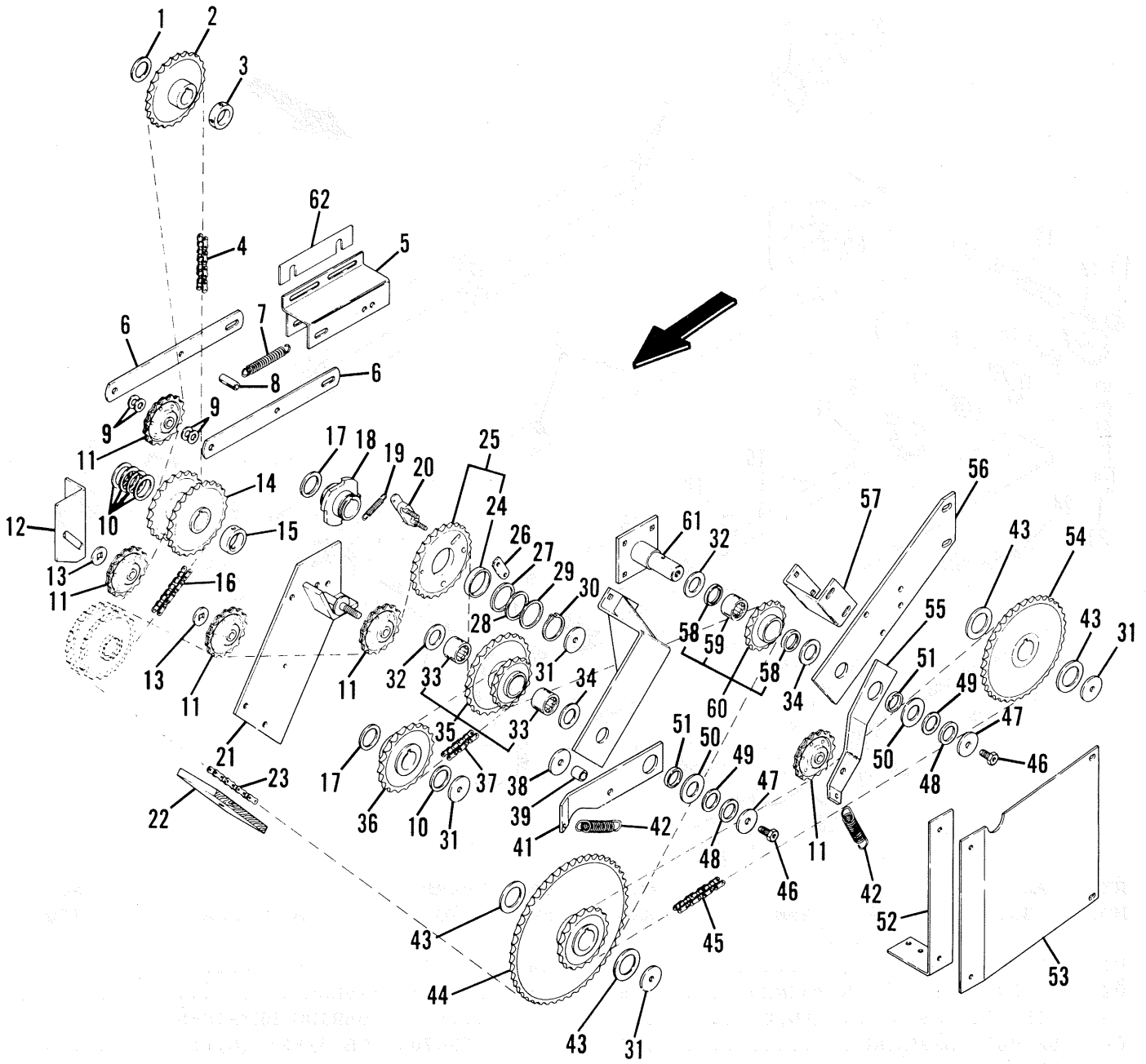
a) FOR REPLACEMENT SHEAR BOLTS, ORDER 900091 CONTAINING 8 BOLTS
 b) NOT ILLUSTRATED

SHUTTLE & BALE SIZE INDICATOR



REF. NO.	PART NO.	PART NAME	NO. REQ.	REF. NO.	PART NO.	PART NAME	NO. REQ.
01	520085	COLLAR	4	14	070701	SPROCKET (21T)	2
02	027003	BEARING RETAINER	8	15	H 7165	WASHER	4
	650704	CB 3/8X1 (LN,P)	12	16	077526	BEARING RETAINER	4
03	520065	BEARING	4		650704	CB 3/8X1 (N,L)	6
04	071768	SHUTTLE ROLLER	2	17	057179	BEARING	2
05	9H 300	HAIR PIN COTTER PIN	2	18	066160	SQUARE KEY 5/16X2	2
06	071981	SHUTTLE	1	19	071986	STABILIZER SHAFT	1
	650834	CB 1/2X1-1/2 (N,JN)	2	20	070643	PLAIN LINK (CA2060)	4
07	078060	CHAIN BUSHING	2	21	087100	REWRAP ANGLE	1
08	059720	TAKEUP RETAINER	2		650060	CS 3/8X1 (L,N)	4
	650487	CS 5/16X1 (N,L)	1	22	066173	BALE SIZE INDICATOR	1
09	055142	SPRING WASHER	2		650490	CS 3/8X1 (N,L,P)	1
10	057980	HOOK	2	23	066174	INDICATOR BASE	1
	650495	CS 1/2X1-1/4 (NILN)	2	24	B11433A	S-HOOK	5
11	070730	CHAIN TAKEUP	1		650491	CS 3/8X1-1/4 (N,L,P)	1
		(2) 3/4 N		25	065811	EYEBOLT	2
12	071942	ROLLER CHAIN (#60) OF				(4) 5/16 N, (2) P	
		89 LINKS ONLY	2	26	070607	CORD 3/16X198"	1
13	074408	COLLAR	2	27	071660	PULLEY	4
	650706	CS 1/4X2 (LN)	2	28	078295	EXTENSION SPRING	1

ROLLER DRIVES

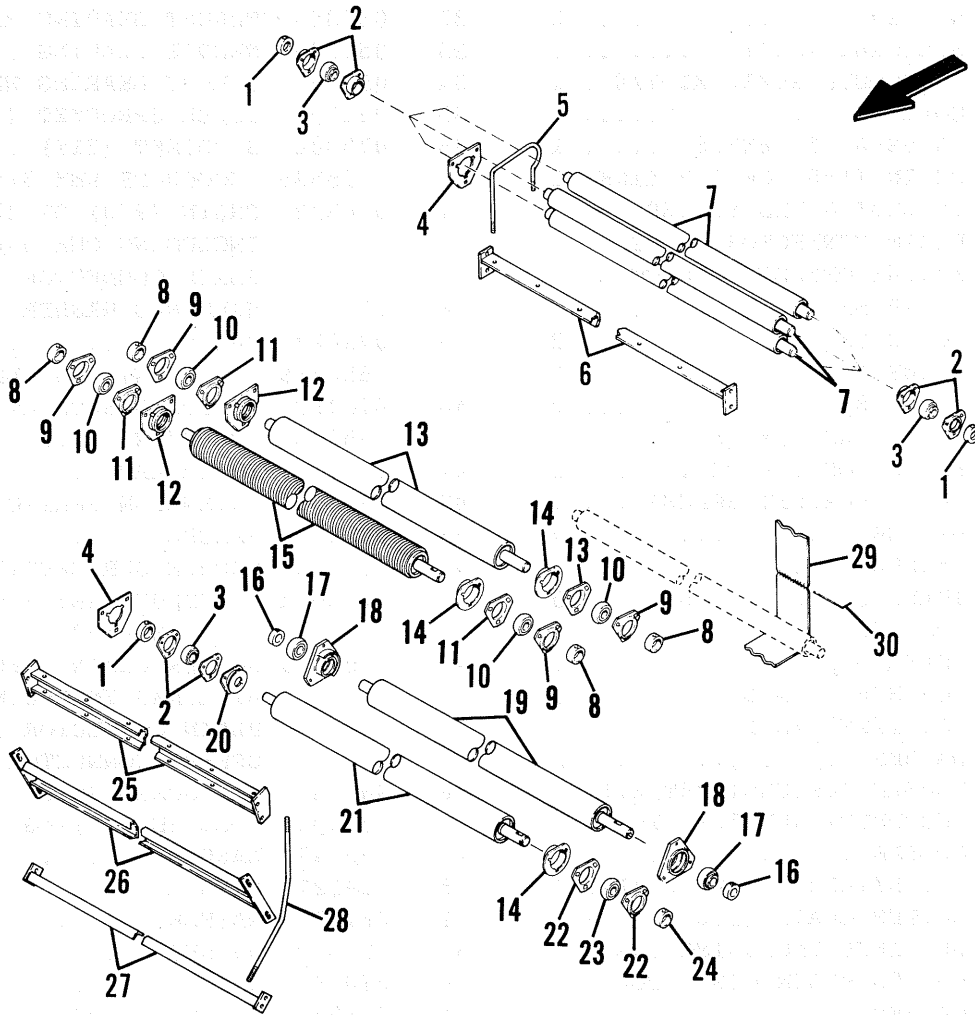


ROLLER DRIVES

REF. NO.	PART NO.	PART NAME	NO. REQ.	REF. NO.	PART NO.	PART NAME	NO. REQ.
01	B11162B	WASHER	2	32	057350	THRUST BEARING RACE	2
02	076505	SPROCKET (23T)	1	33	056345	NEEDLE BEARING	2
	655539	WOODRUFF KEY 1/4X1-1/8	1	34	057351	THRUST BEARING WASHER	2
03	058489	COLLAR	1	35	066398	IDLER SPROCKET (15/25T)	1
	650204	SHSS-SL 5/16X3/8	1	36	075384	SPROCKET (21T)	1
04	076439	CHAIN (#60) OF 137 LINKS INCLUDING ONE 500160 PLAIN CONNECTOR & ONE 500161 OFFSET CONNECTOR	1		655536	WOODRUFF KEY 3/8X1-1/4	1
				37	070323	CHAIN (#60) OF 42 LINKS INCLUDING ONE 500160 PLAIN CONNECTOR	1
05	076502	IDLER BRACKET	1	38	074028	HARDENED WASHER	1
	650704	CB 3/8X1 (N,L,P)	2	39	074027	SPACER	1
06	066392	IDLER ARM	2		650569	CS 1/2X1-3/4 (LN)	1
	650818	CS 3/8X3 (LN,P)	2	40	075482	OUTBOARD SUPPORT	1
	650850	CS 1/2X2-3/4 (N,L)	1		650704	CB 3/8X1 (N,L)	2
07	17H349	EXTENSION SPRING	1	41	075419	IDLER ARM	1
08	076504	IDLER BRACKET SPACER	1	42	079061	EXTENSION SPRING	2
09	058357	WASHER	4	43	042158	SPACER	4
10	070736	WASHER	5	44	075730	DOUBLE SPROCKET (17/48T)	1
11	H 7812	IDLER SPROCKET (15T)	5		650601	WOODRUFF KEY - HD 3/8X1-1/2	1
	650585	CS 1/2X2 (N,P)	1				
12	075689	IDLER BRACKET	1	45	075705a	ROLLER CHAIN (#60HE) OF 61 LINKS INCLUDING ONE PLAIN CONNECTOR & ONE OFFSET CONNECTOR	1
	650704	CB 3/8X1 (N,L)	2				
	650774	CB 1/2X2 (N,L)	1				
13	048459	WASHER	2				
14	076499	DOUBLE SPROCKET (24T/21T)	1	46	9H 240	CAP SCREW GR.2 1/2X2	2
	655537	WOODRUFF KEY 5/16X1-1/4	1		570019	GREASE FITTING	2
15	072069	COLLAR	1	47	055447	WASHER	2
	650977	CS 5/16X2-1/4 GR.8 (LN)	1	48	C14121	WASHER	2
16	075412	ROLLER CHAIN (#60 HE) OF 50 LINKS INCLUDING ONE 055903 PLAIN CONNECTOR	1	49	061529	WASHER	2
				50	054353	WASHER	2
				51	070749	SPACER	2
17	057617	WASHER	2	52	076548	SPRING ANCHOR	1
18	073722	CLUTCH PLATE	1	53	076549	CHAIN GUARD	1
	655537	WOODRUFF KEY 5/16X1-1/4	1		650618	TCS 5/16X5/8	2
19	070870	EXTENSION SPRING	1		650486	CS 5/16X3/4 (N,L)	1
20	075406	CLUTCH LINK (2) 5/16 NILN	1		650577	CS 5/16X1-1/2 (2N)	1
				54	075409	SPROCKET (34T)	1
21	075691	IDLER BRACKET	1		650601	WOODRUFF KEY - HD 3/8X1-1/2	1
	650490	CS 3/8X1 (1N,L)	3				
	650773	CB 3/8X1-1/2 (N,L)	1	55	075700	IDLER ARM	1
22	075383	CHAIN SLIDE	1	56	075701	OUTBOARD PLATE	1
	650704	CB 3/8X1 (N,L)	1		650491	CS 3/8X1-1/4 (N,L,P)	2
23	075489	ROLLER CHAIN (#60) OF 14 LINKS INCLUDING ONE 500160 PLAIN CONNECTOR	1		650453	CS 1/2X1-1/2 (N,L,4P)	2
				57	075702	OUTBOARD PLATE SUPPORT	1
24	069847	BRONZE BUSHING	1		650704	CB 3/8X1 (N,L)	2
25	075417	SPROCKET (24T)	1	58	053342	OIL SEAL	2
	650588	CS 1/4X1-1/2 (2N)	1	59	051250	NEEDLE BEARING	1
26	075395	LINK STABILIZER PLATE	1	60	070758	SPROCKET (16T)	1
27	069794	SHIM WASHER (0.134)	1	61	075402	JACKSHAFT	1
28	069793	SHIM WASHER (0.050)	1		650790	CB 3/8X3/4 (LN)	2
29	069792	SHIM WASHER (0.036)	1	62	078812	SHIM	3
30	052205	RETAINING RING	1				
31	17H361	WASHER	4				
	650490	CS 3/8X1 (L)	4				

a) FOR REPLACEMENT PLAIN CONNECTOR, ORDER PART #055903

UPPER BELTS, ROLLERS & RELATED COMPONENTS

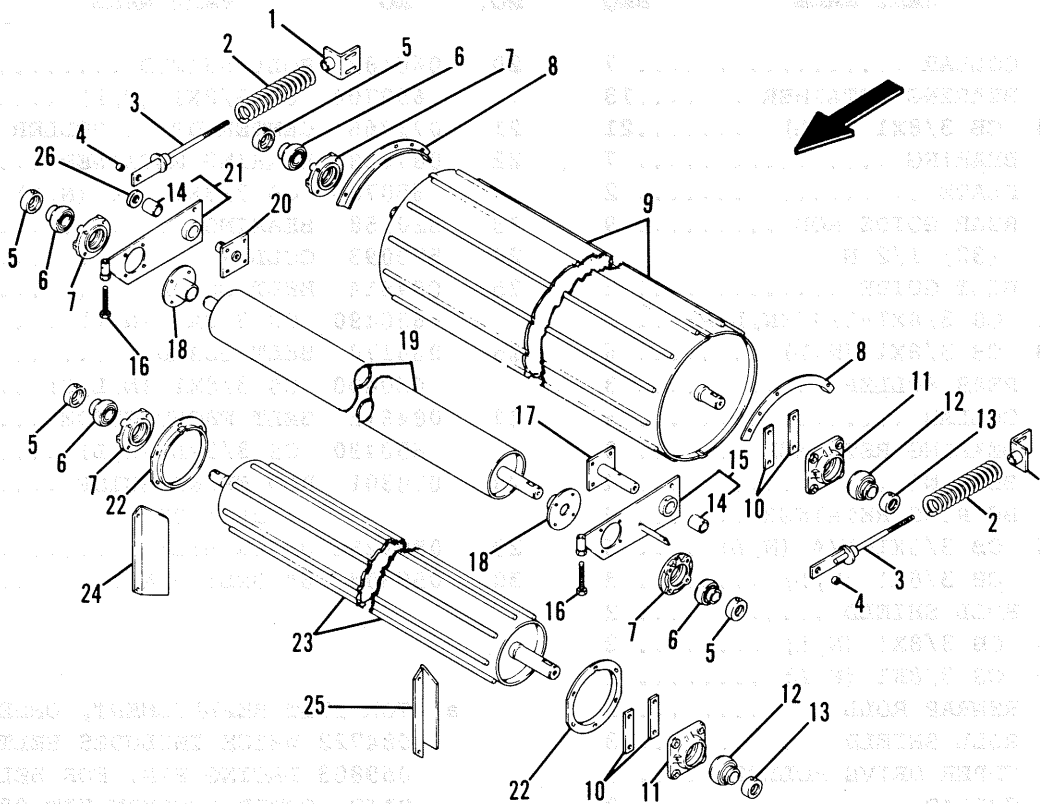


UPPER BELTS, ROLLERS & RELATED COMPONENTS

REF. NO.	PART NO.	PART NAME	NO. REQ.	REF. NO.	PART NO.	PART NAME	NO. REQ.
01	520085	COLLAR	7	20	066182	ROLL SHIELD	1
02	027003	BEARING RETAINER	13		650704	CB 3/8X1 (N,L)	3
	650704	CB 3/8X1 (N,L)	21	21	071765	CENTER DRIVE ROLLER	1
03	520065	BEARING	7	22	077526	BEARING RETAINER	2
04	066183	PLATE	2		650786	CB 3/8X1-1/4 (N,L)	3
05	078128	REAR GUIDE ROD	7	23	520158	BEARING	1
		(28) 1/2 N		24	520093	COLLAR	1
06	084608	BELT GUIDE	2	25	084614	BELT GUIDE	1
	650491	CS 3/8X1-1/4 (N,L,P) ..	2		650490	CS 3/8X1 (N,L)	4
	650490	CS 3/8X1 (N,L)	6	26	066170	BELT GUARD	1
07	071767	REAR ROLLER	3		650490	CS 3/8X1 (N,L,P)	4
08	520090	COLLAR	4	27	084612	BELT FRONT GUIDE	1
09	077526	BEARING RETAINER	8		650490	CS 3/8XL (N,L)	4
10	057179	BEARING	4	28	078301	ROD FRONT GUIDE	9
11	087228	BEARING RETAINER	8			(32) 1/2N	
	650786	CB 3/8X1-1/4 (N,L)	6	29	080925a	UPPER BELT	6
	650704	CB 3/8X1 (N,L)	3	30	059803	6" BELT PIN	6
12	070702	ROLL SHIELD	2				
	650704	CB 3/8X1 (N,L)	2				
	650490	CS 3/8X1 (N,L)	4				
13	071764	REWRAP ROLL	1				
14	057965	ROLL SHIELD	3				
15	076416	UPPER DRIVE ROLLER	1				
16	520067	COLLAR	2				
17	074964	BEARING	2				
18	074963	BEARING HOUSING	2				
	650704	CB 3/8X1 (N,L)	6				
	570019	GREASE FITTING	2				
19	074965	ROLLER SCRAPER	1				
	088808	ROLLER SCRAPER HI MOIST (FOR EXPORT UNITS ONLY)	1				

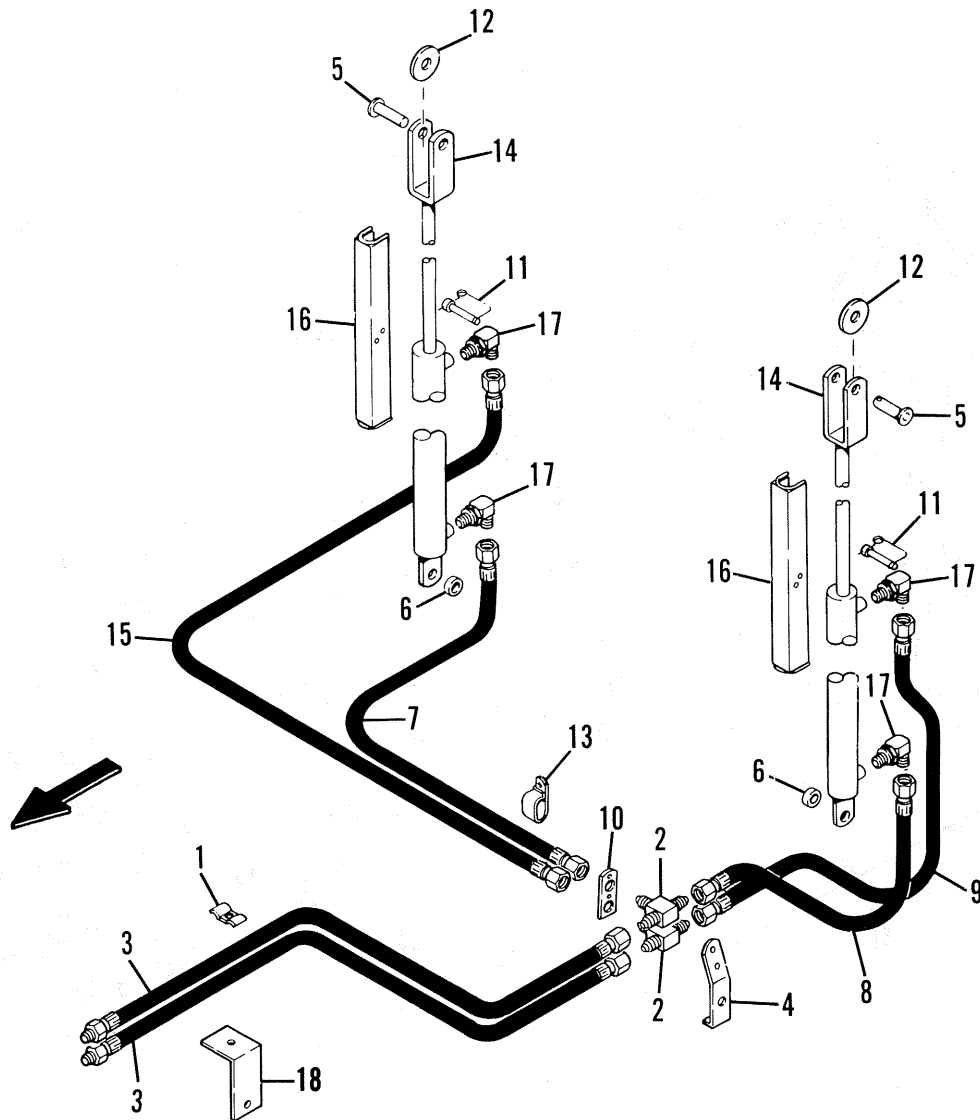
a) FOR BELT REPLACEMENT, ORDER KIT 084681 WHICH INCLUDES BELT AND 059803 LACING PIN. FOR BELT REPAIR, ORDER DUCHMAN KIT 084384. FOR SPLICING UPPER BELTS, ORDER 72" LACING CABLE 060345 AND CUT TO PROPER LENGTH. FOR LACING HOOK REPAIR, ORDER 802700 WHICH INCLUDES VICE LACER & LACING HOOKS OR KIT 073330 WHICH INCLUDES ONLY LACING HOOKS AND A CABLE.

LOWER ROLLERS



REF. NO.	PART NO.	PART NAME	NO. REQ.	REF. NO.	PART NO.	PART NAME	NO. REQ.
01	075413	SPRING MOUNT	2	14	066208	BRONZE BUSHING	2
	650704	CB 3/8X1 (N,L,P)	4	15	075494	ROLL ARM LEFT	1
02	066221	COMPRESSION SPRING	2		570023	GREASE FITTING	1
03	075393	SPRING GUIDE ARM	2	16	062342	HTB 1/2X3-1/2	2
	650495	CS 1/2X1-1/4 (LN,P,NILN)	2		(2) 1/2 N		
04	066226	PIVOT BUSHING	2	17	074669	LEFT JACKSHAFT	1
05	520093	COLLAR	4		650790	CB 3/8X3/4 (N,L)	4
06	041499	BALL BEARING	4	18	075396	ROLL SHIELD	2
07	061809	BEARING HOUSING	1		650860	CB 3/8X1-3/4 (N,L)	7
	570003	GREASE FITTING	4	19	072176	PACKING ROLLER	1
	650533	CS 3/8X1 (JN,L)	1	20	074667	RIGHT JACKSHAFT	1
	650579	CS 3/8X1-3/4 (L)	8		650554	COTTER PIN 1/4X2-1/4	1
	650860	CB 3/8X1-3/4 (N,L)	7		650790	CB 3/8X3/4 (LN)	4
08	075502	16" ROLL SHIELD	2	21	075490	ROLL RIGHT ARM	1
	650704	CB 3/8X1 (5N,5L,2LN)	7		570002	GREASE FITTING	1
09	076477	16" DIAMETER ROLL	1	22	051916	FLANGE	2
	650601	DRIVE KEY 3/8X1	1		650687	CB 5/16X3/4 (N,L)	6
10	075729	BEARING SPACER	4	23	076490	8" DIAMETER ROLLER	1
	570003	GREASE FITTING	1	24	075500	CROP DEFLECTOR RIGHT	1
	570012	GREASE FITTING	1		650486	CS 5/16X3/4 (N,L)	2
11	R13216	BEARING HOUSING	2	25	075501	CROP DEFLECTOR LEFT	1
	570012	GREASE FITTING	2		650486	CS 5/16X3/4 (N,L)	1
	650569	CS 1/2X1-3/4 (L)	8		650487	CS 5/16X1 (N,L)	1
12	520098	BALL BEARING	2	26	B11090	WASHER	1
13	520099	LOCK COLLAR	2				

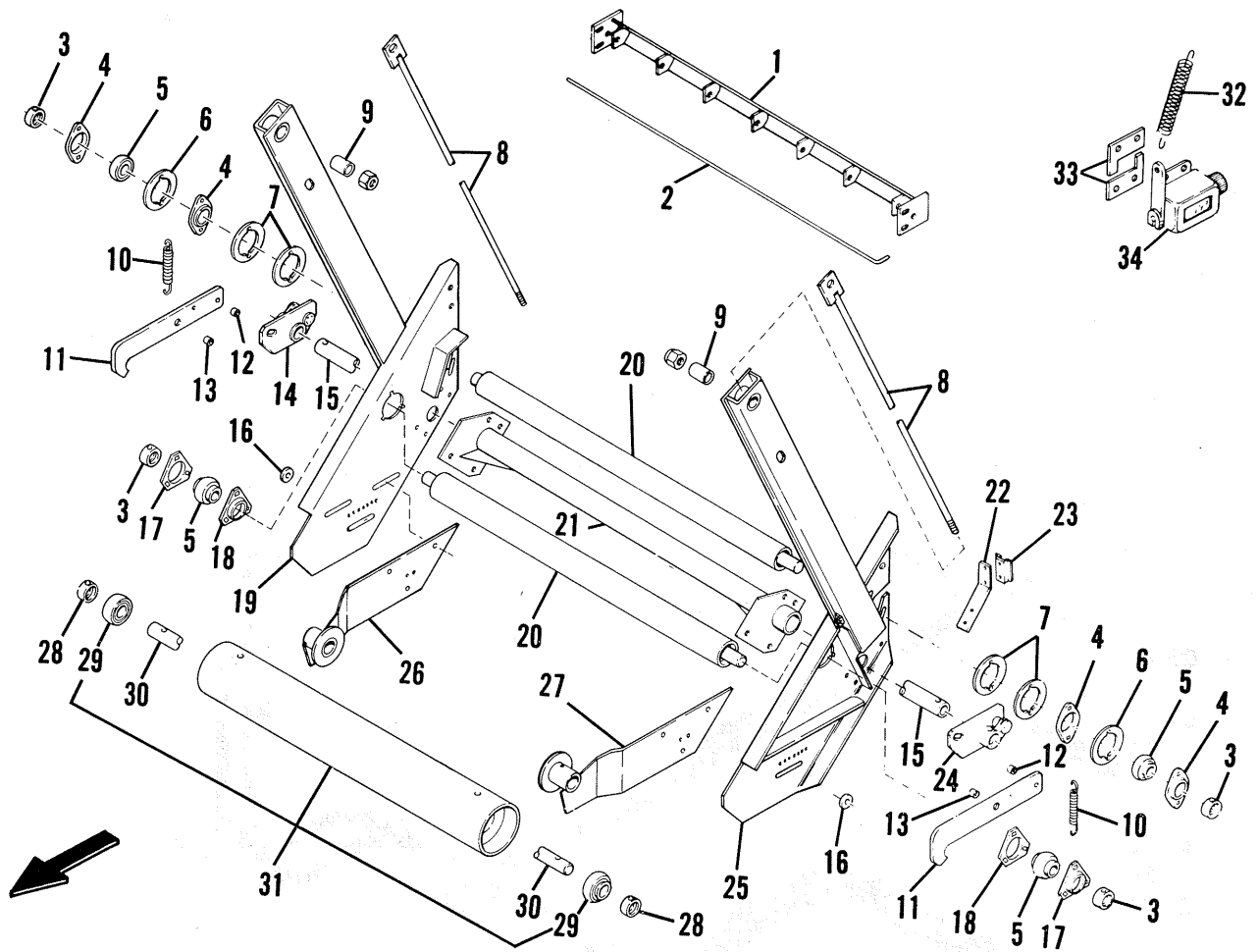
GATE HYDRAULICS



REF. NO.	PART NO.	PART NAME	NO. REQ.	REF. NO.	PART NO.	PART NAME	NO. REQ.
01	018453	HOSE CLAMP	1	12	067491	WASHER	2
	650453	CS 1/2X1-1/2 (NILN)	1	13	067880	HOSE CLAMP	4
02	087393	TEE FITTING 1/4	2		650491	CS 3/8X1-1/4 (N,6) (1) 5/16 N,L,P	1
03	087400	HOSE 100"	2	14	087403a	HYDRAULIC CYLINDER	2
04	066260	JUNCTION PLATE	1		650913	CS 1-NFX2-1/2 (NILN,P)	2
	650649	CS 3/4X2 (N,L)	1	15	087394	HOSE 105"	1
05	066383	PIN	2	16	075448	CYLINDER LOCK	2
	650022	COTTER PIN 3/16X1-3/4	2	17	068938	90 DEG. ELBOW	4
06	066385	CYLINDER ANCHOR PIVOT	2	18	066446	HOSE BRACKET	1
07	087395	HOSE 130"	1		650487	CS 5/16X1 (N,L,2P)	3
08	087397	HOSE 72"	1				
09	087396	HOSE 90"	1				
10	066429	RETAINER	1				
11	066452	LOCK PIN	2				

a) FOR SEAL KIT, ORDER 066551

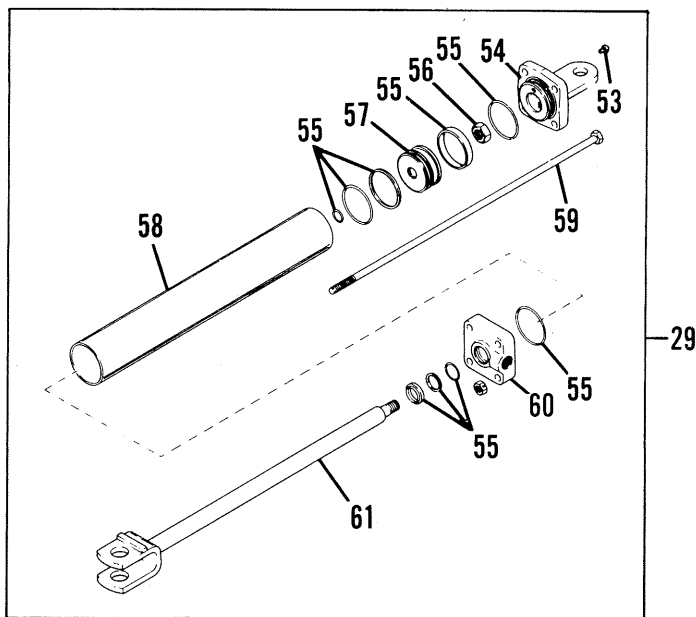
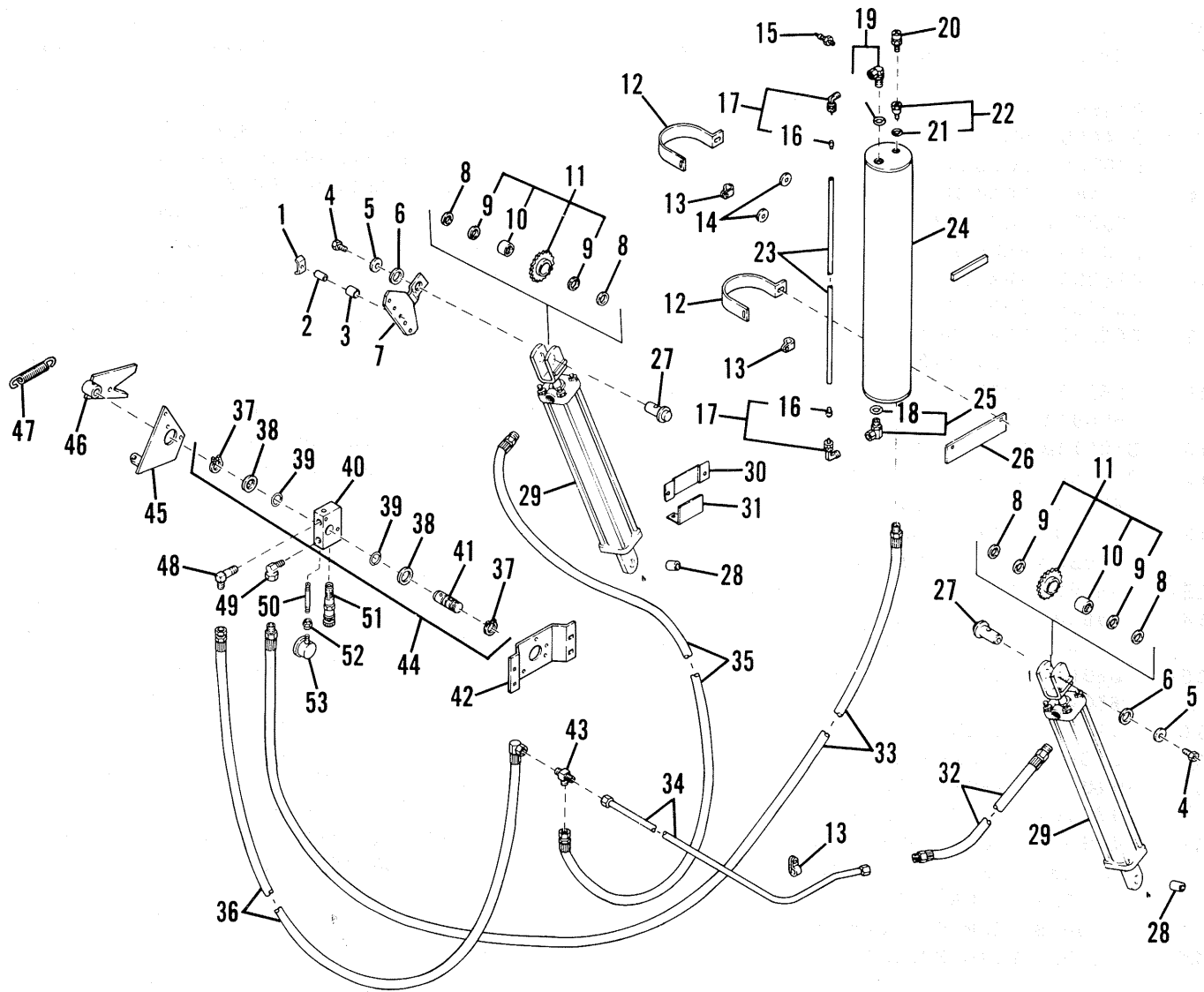
REAR GATE



REAR GATE

REF. NO.	PART NO.	PART NAME	NO. REQ.	REF. NO.	PART NO.	PART NAME	NO. REQ.
01	084651	BELT GUIDE ASSY.	1	21	084644	TORSION TUBE	1
02	084655	BELT GUIDE PIN	1		650490	CS 3/8X1 (N,L)	8
03	520085	COLLAR	2	22	047269	MOUNTING SOCKET	1
04	H 487	BEARING RETAINER	2		650949	THMS 5/16X3/4 (N,L) ...	2
	650704	CB 3/8X1 (N,L)	6	23	066376	SMV EMBLEM BRACKET	1
05	520065	BALL BEARING	2		650486	CS 5/16X3/4 (N,L)	2
06	066350	SPACER	2	24	084648	TORSION ARM LEFT	1
07	066351	SPACER	4		650492	CS 3/8X2-1/2 (N,L)	1
08	066380	LIFT ROD	2	25	084639	LEFT GATE	1
		(2) 1/2 NILN			650487	CS 5/16X1 (2N)	1
09	066377	GATE PIVOT BUSHING	2		570019	GREASE FITTING	1
	650914	CS 1 NFX3-3/4 (NILN,P)	2		570009	GREASE FITTING	1
10	U10014B	EXTENSION SPRING	2	26	075552	GATE ROLL ARM RIGHT	1
11	070750	GATE LOCK ARM	2		650569	CS 1/2X1-3/4 (NILN,L) .	4
	650545	CS 5/16X1-1/4 (4N)	2		650487	CS 5/16X1 (N,L)	1
12	6H 130	PIVOT BEARING	2	27	075554	GATE ROLL ARM LEFT	1
	650569	CS 1/2X1-3/4 (NILN,P) .	2		650569	CS 1/2X1-3/4 (NILN,L) .	4
13	066369	GATE LOCK ARM BUSHING ..	2		650487	CS 3/8X1 (N,L)	1
14	084650	TORSION ARM RIGHT	1	28	520093	COLLAR	2
	650492	CS 3/8X2-1/2 (N,L)	1	29	041499	BALL BEARING	2
15	066363	GATE LOCK PIVOT TUBE ...	1	30	069789	ROLLER SHAFT	1
	650492	CS 3/8X2-1/2 (LN)	2		650784	CS 5/16X2-3/4 (LN)	2
16	071520	WASHER	8	31	070470	GATE ROLLER	1
17	027003	BEARING RETAINER	2		570019	GREASE FITTING	2
18	066309	BEARING RETAINER	2	32	17H387	SPRING	1
	650704	CB 3/8X1 (N,L)	6		650618	STS 5/16X5/8	1
19	084631	RIGHT GATE	1		650426	CS 1/4X1-1/4 (N)	1
	650487	CS 5/16X1 (2N)	1	33	066764	BRACKET	2
	570019	GREASE FITTING	1		650618	STS 5/16X5/8	4
	570009	GREASE FITTING	1	34	066765	COUNTER	1
20	066352	REAR ROLLER	2				

TOTAL DENSITY CONTROL



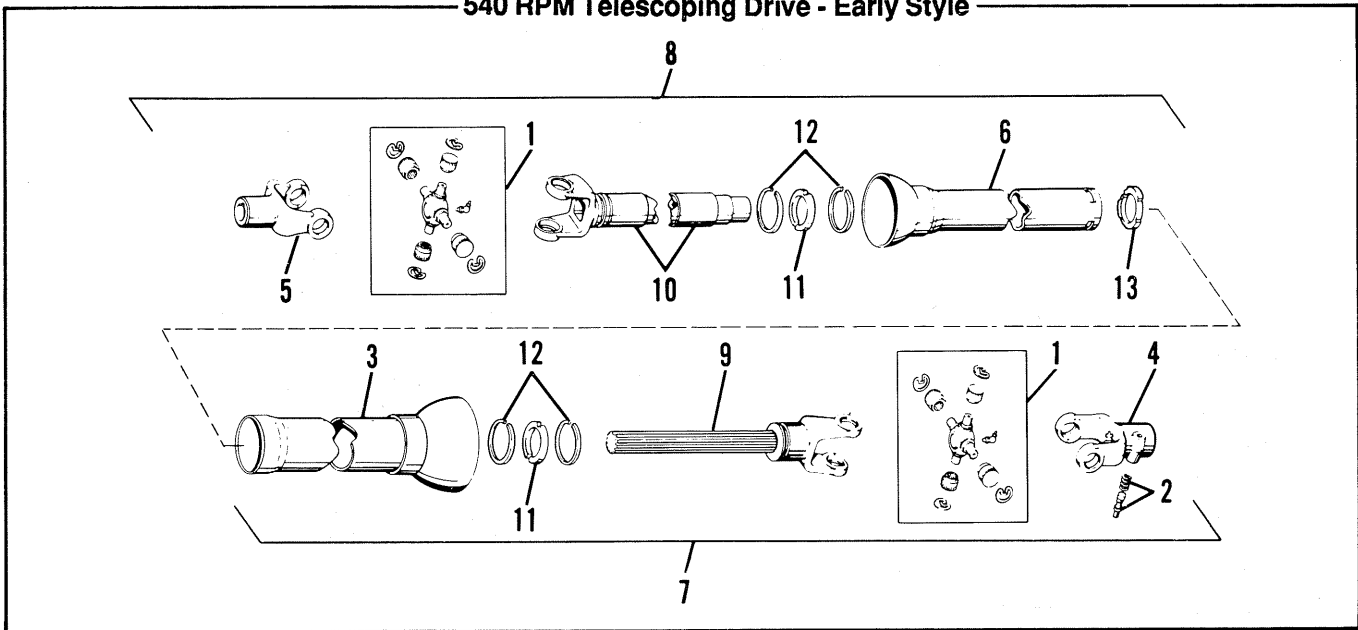
TOTAL DENSITY CONTROL

REF. NO.	PART NO.	PART NAME	NO. REQ.	REF. NO.	PART NO.	PART NAME	NO. REQ.
01	059453	CLAMP	1	33	070625	HOSE 46"	1
	650528	CS 3/8X2 (LN)	1	34	071938	HYDRAULIC TUBE	1
02	072171	SPACER	1	35	058613	HOSE 33"	1
03	072172	SPACER	1	36	070620	HOSE 34"	1
04	9H 240	CAP SCREW GR.2 1/2X1	2	37	540020	RETAINING RING	2
	570019	GREASE FITTING (2) 1/2 L	2	38	H 267A	WASHER	2
05	065663	WASHER	2	39	059424	O-RING	2
06	B11162B	WASHER	5	40	076552	MANIFOLD	1
07	072168	TRIP ARM	1	41	070789	VALVE SPOOL	1
08	061529	WASHER	4	42	070788	MANIFOLD BRACKET	1
09	053342	OIL SEAL	4		650733	CS 5/16X2-1/2 (N,L)	2
10	051250	NEEDLE BEARING	2		650704	CS 3/8X1 (N,L)	2
11	070758	SPROCKET (16T)	2	43	064669	STRAIGHT UNION TEE	1
12	070779	ACCUMULATOR STRAP	2	44	076551	MANIFOLD-ASSEMBLED	1
13	056773	HOSE CLAMP	5		650535	CS 3/8X2-1/4 (LN)	1
	650488	CS 3/8X3/4 (N,L)	2	45	071741	STOP BRACKET	1
14	B11343	WASHER	2		650492	CS 3/8X2-1/2 (2N)	2
	650773	CB 3/8X1-1/2 (N,L,3P)	1	46	071739	VALVE TRIP	1
	650704	CB 3/8X1 (N,L,P)	1		650491	CS 3/8X1-1/4 (2N)	1
15	070612	TANK VALVE	1	47	U10014B	EXTENSION SPRING	1
16	070644a	SLEEVE	2	48	070619	90 MALE ELBOW	1
17	070610	MALE 90 UNION	2		652053	CB 3/8X2 (N,L,2P)	1
18	055896	O-RING	2	49	580116	90 MALE ELBOW	1
19	070775	90 ELBOW	1	50	651022	PIPE NIPPLE 1/4 X 4"	1
20	070638	RELIEF VALVE 250 PSI	1	51	070633b	CARTRIDGE VALVE	1
21	070752	O-RING	1	52	076788	1/4 FEMALE UNION	1
22	070609	ADAPTER	1	53	071415	VAC RELIEF FITTING	1
23	073513	OIL LEVEL TUBE	1		070777	300 PSI GAUGE	1
24	077826	RESERVOIR (INCLUDES 071588 MAGNET)	1	54	074779	ANCHOR CAP	1
25	042598	90 SWIVEL ADAPTER UNION	1	55	077950	SERVICE KIT	1
26	070778	ANGLE	1	56	064331	3/4 LN	1
27	070765	PIN	2	57	077949	PISTON	1
28	070757	SPACER	2	58	074784	TDC TUBE	1
	650710	CS 5/8X2-1/4 (N,L,4P)	2	59	074785	TIE ROD (4) 1/2LN	4
29	077954	TIE ROD CYLINDER 3X25 - ASSEMBLED	2	60	077952	ROD CAP	1
30	074792	CYLINDER STRAP	1	61	074755	TDC CYLINDER ROD	1
	650704	CB 3/8X1 (N,L)	2				
31	074793	SUPPORT ANGLE	1				
32	070631	HOSE 15"	1				

a) INCLUDED W/070610 MALE UNION
b) FOR SEAL KIT, ORDER 072855. FOR SERVICE, ORDER KIT 076699 WHICH INCLUDES STEEL BALL & INSTRUCTIONS

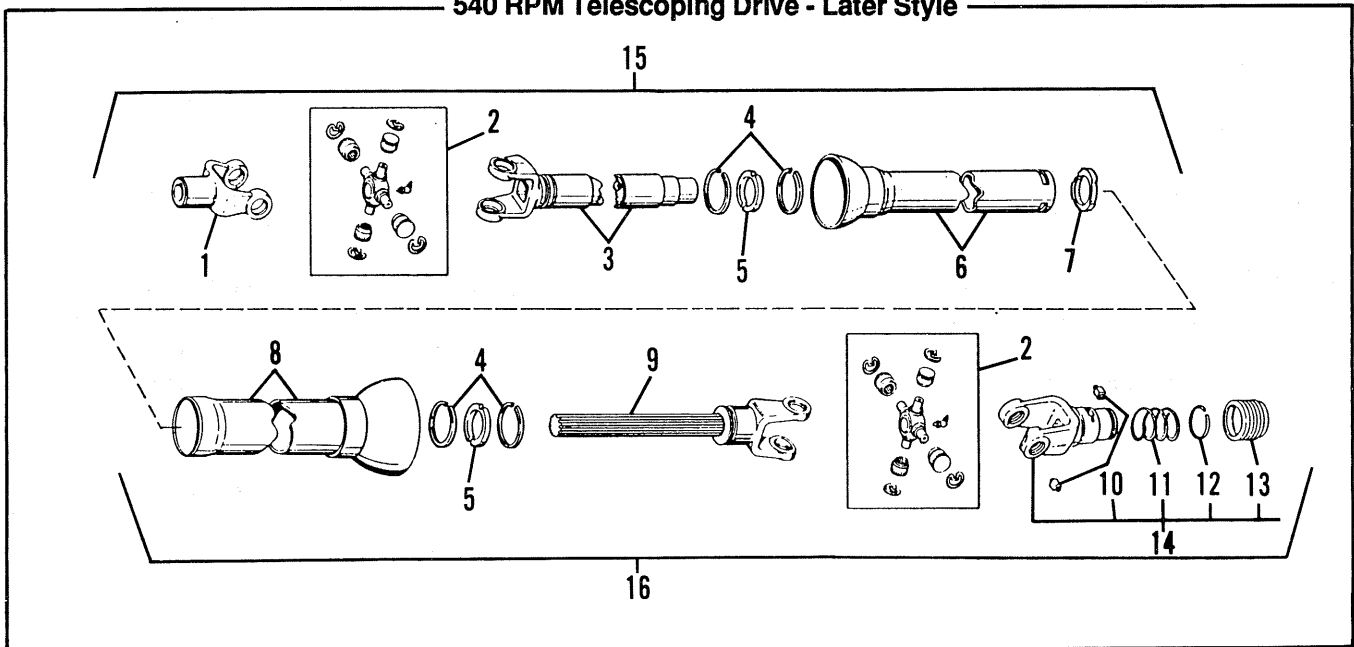
UNIVERSAL DRIVES

540 RPM Telescoping Drive - Early Style



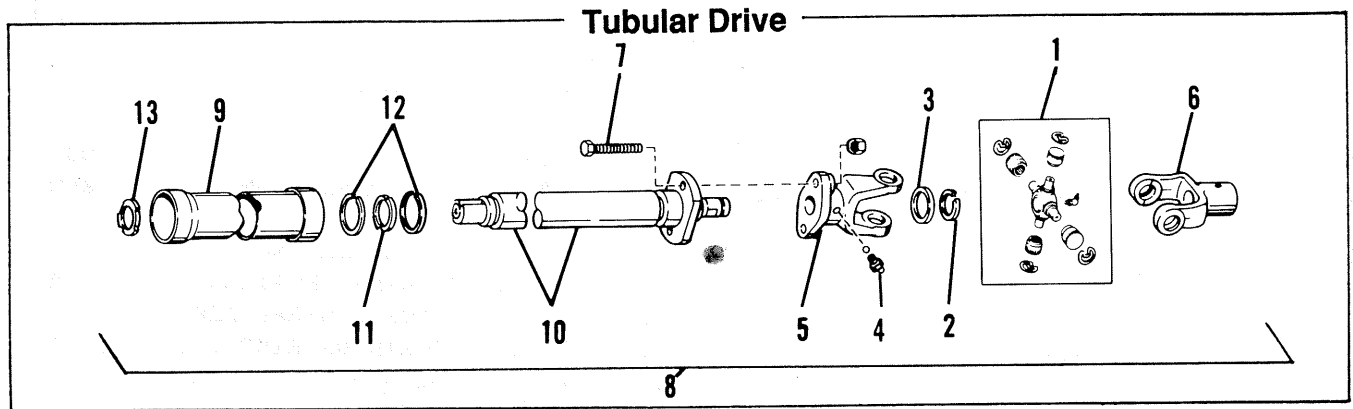
REF. NO.	PART NO.	PART NAME	NO. REQ.	REF. NO.	PART NO.	PART NAME	NO. REQ.
01	045327	CENTER CROSS KIT	2	08	061125	UNIVERSAL JOINT W/SPLINE	
	570014	GREASE FITTING	2			TUBE - ASSEMBLED	1
02	053865	LOCKPIN & SPRING	1	09	061126	YOKE W/SPLINE SHAFT	1
03	055354	FEMALE GUARD	1	10	061127	YOKE W/SPLINE TUBE	1
04	055355	TRACTOR YOKE (6 SPLINE)	1	11	510023	NYLON BEARING	1
05	055356	YOKE (1-5/6 BORE)	1	12	510100	BEARING RETAINER	4
06	055358	MALE GUARD	1	13	510215	NYLON CENTRALIZER	1
07	061124	UNIVERSAL JOINT W/SPLINE					
		SHAFT - ASSEMBLED	1				

540 RPM Telescoping Drive - Later Style



UNIVERSAL DRIVES

REF. NO.	PART NO.	PART NAME	NO. REQ.	REF. NO.	PART NO.	PART NAME	NO. REQ.
01	055356	YOKE (6 SPLINE)	1	09	061126	YOKE W/SPLINE SHAFT	1
02	045327	CENTER CROSS KIT	2	10	510229	PAWL	2
	570014	GREASE FITTING	2	11	510228	SPRING	1
03	061127	YOKE W/SPLINE TUBE	1	12	510226	RETAINING RING	1
04	510100	BEARING RETAINER	4	13	510227	COLLAR	1
05	510023	NYLONE BEARING	1	14	067537	SLIDE LOCK KIT	1
06	055358	MALE GUARD	1	15	061125	UNIVERSAL JOINT W/SPLINE TUBE-ASSEMBLED	1
07	510215	NYLON CENTRALIZER	1	16	089829	UNIVERSAL JOINT W/SPLINE SHAFT-ASSEMBLED	1
08	055354	FEMALE GUARD	1				

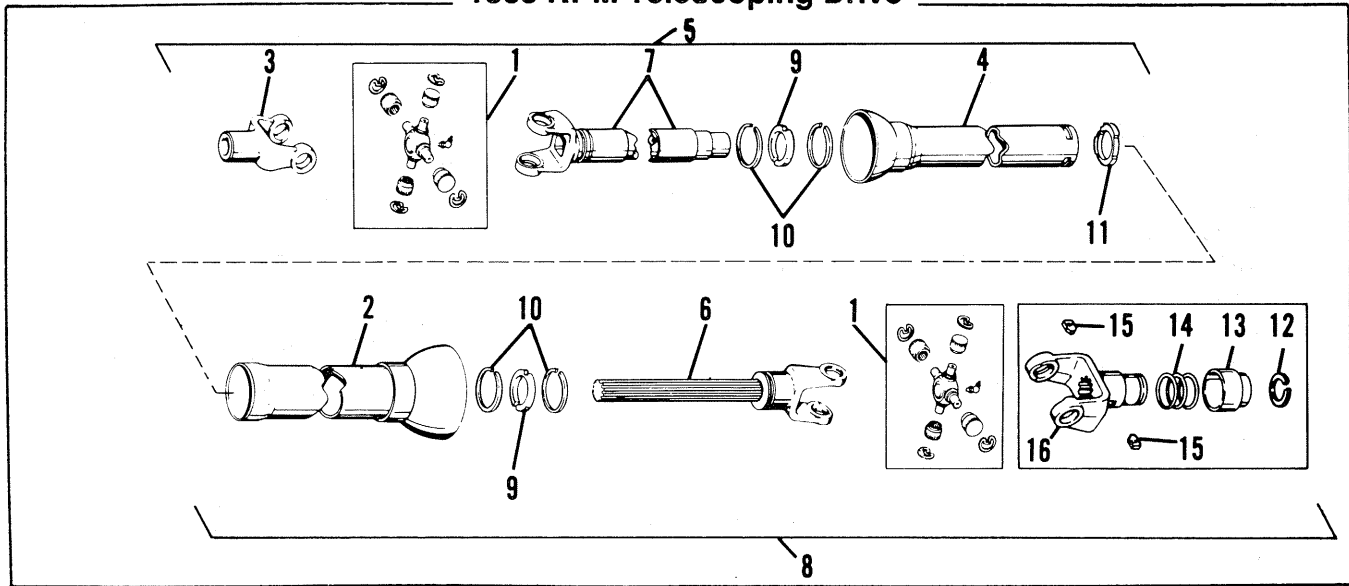


REF. NO.	PART NO.	PART NAME	NO. REQ.	REF. NO.	PART NO.	PART NAME	NO. REQ.
01	045327	CENTER CROSS KIT	2	08	059576	TUBULAR DRIVE-ASSEMBLED	1
	570014	GREASE FITTING	2	09	066554	GUARD TUBE	1
02	045882	RETAINING RING	1	10	066555	DRIVE SHAFT	1
03	045883	WASHER	1	11	510023	NYLON BEARING	2
04	059579	LUBE FITTING & BALL	1	12	510100	BEARING RETAINER	2
05	059580	SHEAR YOKE	1	13	510215	CENTRALIZER BEARING	1
06	059581	YOKE	1				
07	061700a	SHEAR BOLT 5/16X1-3/4 GR. 2 FOR 540 RPM	1				
	066285b	SHEAR BOLT 5/16X1-1/2 GR. 2 FOR 1000 RPM	1				
		(1) 5/16 LN					

a) FOR REPLACEMENT 540 RPM SHEAR BOLTS,
ORDER KIT 900015 CONTAINING 8 BOLTS
b) FOR REPLACEMENT 1000 RPM SHEAR BOLT
ORDER KIT 902261 CONTAINING 8 BOLTS

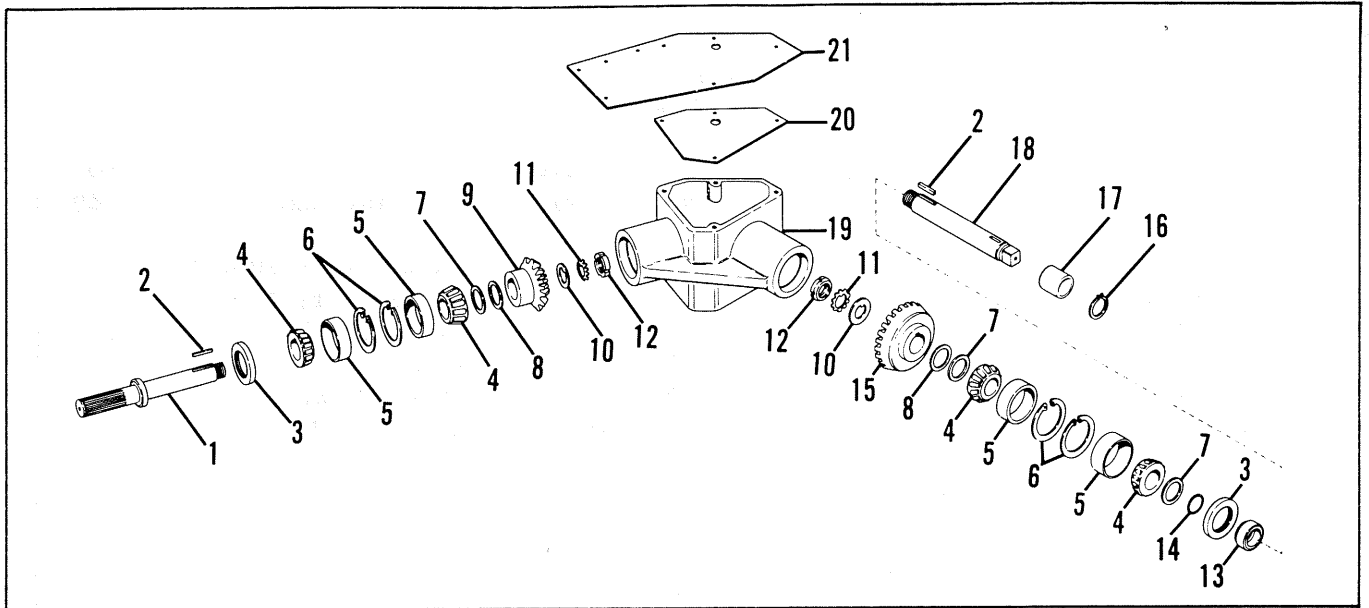
UNIVERSAL DRIVES

1000 RPM Telescoping Drive



REF. NO.	PART NO.	PART NAME	NO. REQ.	REF. NO.	PART NO.	PART NAME	NO. REQ.
01	045327	CENTER CROSS KIT	2	09	510023	NYLON BEARING	2
	570014	GREASE FITTING	2	10	510100	BEARING RETAINER	4
02	055354	FEMALE GUARD	1	11	510215	NYLON CENTRALIZER	1
03	055356	YOKE (1-5/16 BORE)	1	12	510226	RETAINING RING	1
04	055358	MALE GUARD	1	13	510227	COLLAR	1
05	061125	UNIVERSAL JOINT W/SPLINE TUBE-ASSEMBLED	1	14	510228	SPRING	1
06	061126	YOKE W/SPLINE SHAFT	1	15	510229	PAWL	2
07	061127	YOKE W/SPLINE TUBE	1	16	510233	SLIDE LOCK YOKE	1
08	067173	UNIVERSAL JOINT W/SPLINE SHAFT-ASSEMBLED	1				

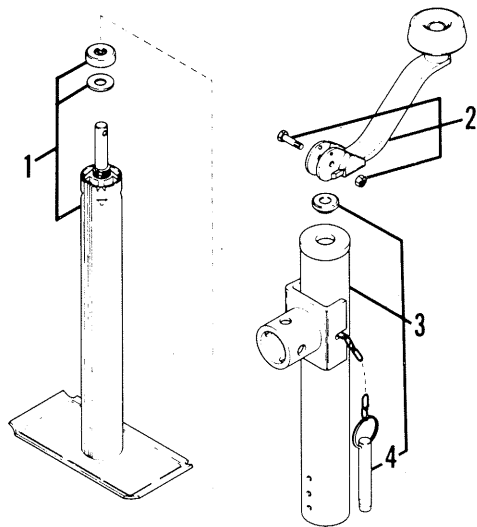
TRANSMISSION (540 RPM)



REF. NO.	PART NO.	PART NAME	NO. REQ.	REF. NO.	PART NO.	PART NAME	NO. REQ.
	076106	TRANSMISSION-ASSEMBLED	1	13	059562	HUB	1
		CONSISTS OF:		14	059563	O-RING	1
01	059569	DRIVE SHAFT	1	15	066252	TRANSMISSION GEAR (24T)	1
02	059566	KEY 3/8SQ.X1-1/2	2	16	054161	SNAP RING	1
03	059572	OIL SEAL	2	17	076107	DISPOSABLE SHIP SPACER	1
04	059565	BEARING CONE	4	18	065728	DRIVE SHAFT	1
05	059564	BEARING CUP	4		655536	WOODRUFF KEY 3/8X1-1/4	1
06	059567	INTERNAL SNAP RING	4	19	059554	TRANSMISSION HOUSING	1
07	060516	SHIM WASHER (0.036)	AR		660004	1/2 PIPE PLUG	1
08	060515	SHIM WASHER (0.015)	AR	20	059574	TRANSMISSION GASKET	1
09	066253	TRANSMISSION GEAR (15T)	1	21	065729	TRANSMISSION COVER	1
10	065731	TONGUED WASHER	2		570016	RELIEF FITTING	1
11	065730	LOCK WASHER	2		650486	CS 5/16X3/4 (L)	4
12	520000	LOCK NUT	2				

HITCHJACK

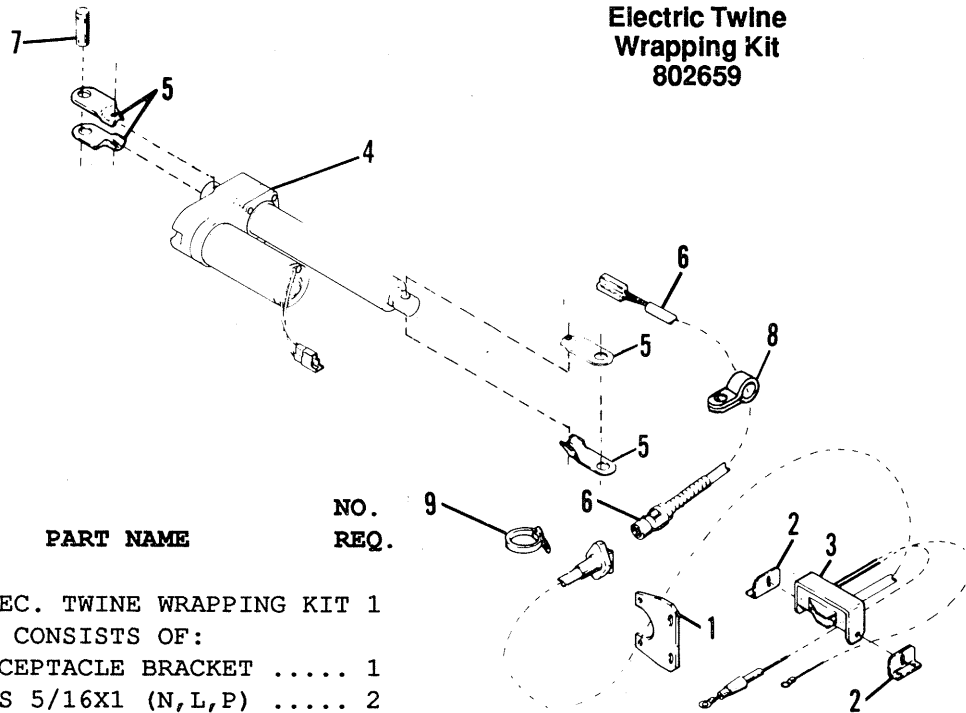
071117 Hitchjack - Assembled



REF. NO.	PART NO.	PART NAME	NO. REQ.
	071117	HITCHJACK-ASSEMBLED	1
CONSISTS OF:			
01	076867	INSIDE TUBE	1
02	076866	CRANK	1
03	076868	OUTSIDE TUBE	1
04	061276	PIN & CHAIN	1

OPTIONS & ACCESSORIES

Electric Twine Wrapping Kit 802659

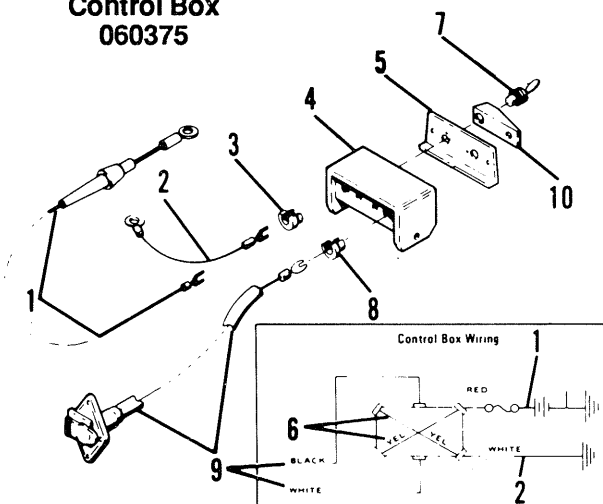


REF. NO.	PART NO.	PART NAME	NO. REQ.
	802659	ELEC. TWINE WRAPPING KIT	1
		CONSISTS OF:	
01	059052	RECEPTACLE BRACKET	1
	650487	CS 5/16X1 (N,L,P)	2
02	059053	MOUNTING BRACKET	2
	650448	CS 1/4X3/4 (N,L)	4
03	060375a	CONTROL BOX - ASSEMBLED	1
	650260	THMS 1/4X1/2 (N,L)	2
04	077093a	ACTUATOR - ASSEMBLED	1
05	061059	YOKE CLIP	4
	650585	CS 1/2X2 (LN)	2

REF. NO.	PART NO.	PART NAME	NO. REQ.
06	061060	POWER CABLE	1
	650448	CS 1/4X3/4 (N,L)	2
07	061061	CYLINDER PIN	1
	655024	COTTER PIN 3/16X2	2
08	061062	WIRE CLAMP	5
09	650490	CS 3/8X1 (LN,P)	3
	063592	WIRE WRAP	1

a) FOR REPAIR, SEE SEPARATE BREAKDOWN

Control Box 060375



REF. NO.	PART NO.	PART NAME	NO. REQ.
01	057778	POWER CORD	1
02	057779	GROUND CABLE	1
03	057781	BUSHING	1
04	069255	BOX	1
	650702	RHSMS #6X3/8	2
05	059059	SWITCH PLATE	1
	650261	THMS 1/4X1/2 (N,L,3P)	1
06	059064	CABLE (YELLOW)	1
07	059299	TOGGLE SWITCH	1
08	059321	STRAIN RELIEF BUSHING	1
09	060376	TRACTOR CABLE	1
10	060972	TOGGLE GUARD	1
11	069257a	BACKPLATE	1
	650702	THMS 1/4X1/2	2

a) NOT ILLUSTRATED

OPTIONS & ACCESSORIES

**Electric Actuator
077093**

REF. NO.	PART NO.	PART NAME	NO. REQ.
	077093	ELECTRIC ACTUATOR	1
		CONSISTS OF:	
01	077098	REAR HOUSING	1
02	077097	SEAL KIT	1
		INCLUDING (1) COVER TUBE GASKET, O-RING & LIP SEAL, MOTOR SEAL & GASKET (BETWEEN HOUSINGS)	
03	077096	CLUTCH	1
		INCLUDING (2) WASHERS & (1) PIN	
04	077095	INTERMEDIATE GEAR	1
		INCLUDING (2) WASHERS	
05	077094	MOTOR WITH PINION	1

**Auto-Electric Actuator
088339**

REF. NO.	PART NO.	PART NAME	NO. REQ.
	088339	AUTO-ELECTRIC ACTUATOR .	1
		CONSISTS OF:	
01	077098	REAR HOUSING	1
02	077097	SEAL KIT	1
		INCLUDING (1) COVER TUBE GASKET, O-RING & LIP SEAL, MOTOR SEAL & GASKET (BETWEEN HOUSINGS)	
03	089956	DRIVE GEAR	1
04	077095	INTERMEDIATE GEAR	1
05	089958	MOTOR WITH PINION	1
06	089954	COVER TUBE	1

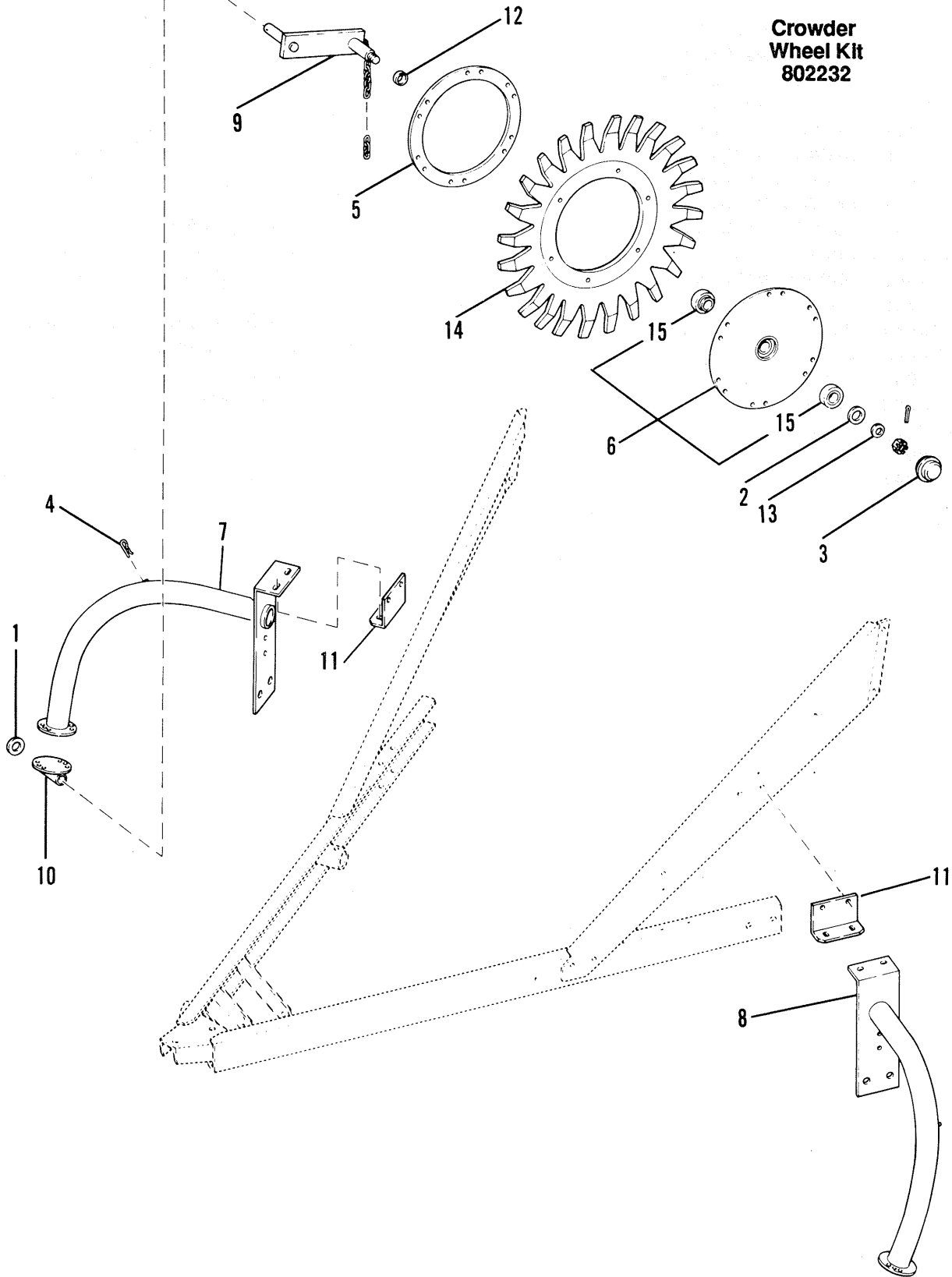
OPTIONS & ACCESSORIES

REF. NO.	PART NO.	PART NAME	NO. REQ.	REF. NO.	PART NO.	PART NAME	NO. REQ.
	804102	AUTO-ELECTRIC TWINE WRAPPING SYSTEM	1	13	064031	RIVET	2
		CONSISTS OF:		14	076661	YOKE CLAMP	2
01	076671	MAGNET MOUNT	1		650585	CS 1/2X2 (LN)	1
	650394	RHMS #6-32X1/2 (N,L,P)	2	15	088339a	ACTUATOR	1
02	074428	MAGNETIC SWITCH ASSY ...	1		650650	CS 1/2X3-1/2 (2LN)	1
	651034	RHMS 6-32X1-1/4	2	16	076655	INSUL. SHOULDER WASHER	2
03	076669	SWITCH MOUNT	1		650386	RHMS #8-32X1 (4N,2LW) .	1
	650949	THMS 5/16X3/4 (4N,4L) .	2	17	067880	HOSE CLAMP	1
04	U 10023	SPRING	2	18	088342	BALER HARNESS	1
05	088344	GROUND WIRE SIZE SENSOR	1	19	088340	AUTO-ELEC CONTROL BOX ..	1
06	058615	HOSE CLAMP	2		656048	M8-1.25 METRIC NUT	2
07	076668	PLUNGER SWITCH	1	20	088341	POWER HARNESS	1
08	076662	SWITCH MOUNT ASSY	1	21	088343	GROUND WIRE GATE SENSOR	1
	650487	CS 5/16X1 (N,L)	2	22	088345	MOUNTING BRACKET	1
09	052588	SHIM	AR	23	067040	MAGNET	3
10	088338	TWINE TIE BRACKET	1		650548	RHMS #10-24X1/2 (N,L) .	6
11	059075	HOSE CLAMP	2				
12	088346	TWINE BRAKE	1				

a) FOR REPAIR, SEE SEPARATE BREAKDOWN

OPTIONS & ACCESSORIES

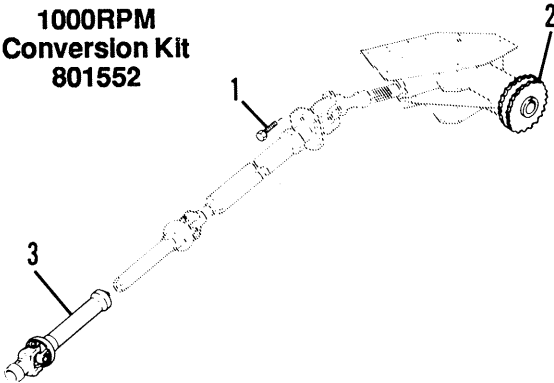
Crowder Wheel Kit 802232



OPTIONS & ACCESSORIES

REF. NO.	PART NO.	PART NAME	NO. REQ.	REF. NO.	PART NO.	PART NAME	NO. REQ.
	802232	CROWDER WHEEL KIT	1	09	072651	ARM PIVOT	2
		CONSISTS OF:			655018	COTTER PIN 3/16X1-1/4	2
01	D932A	WASHER	2		655022	COTTER PIN 3/16X1-3/4	2
02	B11162B	WASHER	2			(2) 3/4 NF SN	
03	064415	DUST CAP	2	10	072655	PIVOT TUBE	2
04	071858	HAIRPIN COTTER PIN	2		570014	GREASE FITTING	2
05	072627	RUBBER WHEEL BACKUP	2		650490	CS 3/8X1 (N,L)	4
06	072641	WHEEL HUB - ASSMEBLED	2	11	072658	SUPPORT BRACKET	2
	650692	CS 5/16X1-3/4 (LN)	12		650490	CS 3/8X1 (N,L)	4
07	072645	RIGHT WHEEL SUPPORT	1	12	072659	SPACER	2
	650491	CS 3/8X1-1/4 (N,L,4P)	2	13	072660	SPRING WASHER	2
08	072650	LEFT WHEEL SUPPORT	1	14	073234	CROWDER WHEEL	2
	650491	CS 3/8X1-1/4 (N,L,4P)	2	15	520064	BALL BEARING	4

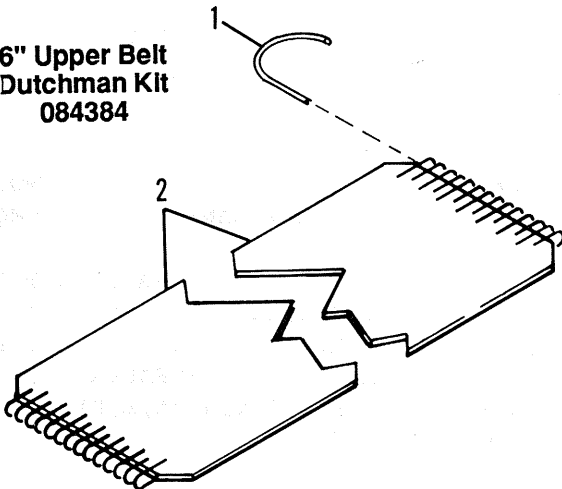
**1000RPM
Conversion Kit
801552**



REF. NO.	PART NO.	PART NAME	NO. REQ.
	801552	1000 RPM CONVERSION KIT	1
		CONSISTS OF:	
01	066285a	SHEAR BOLT 5/16X1-1/2 GR. 2	1
		(1) 5/16 LN	
02	067170	DOUBLE SPROCKET (14/14T)	1
03	067173ab	UNIVERSAL JOINT W/SPLINE SHAFT-ASSEMBLED	1

- a) FOR REPLACEMENT SHEAR BOLTS, ORDER KIT 902261 (CONTAINING 8 BOLTS)
 b) FOR REPAIR, SEE PAGES TITLED UNIVERSAL DRIVES

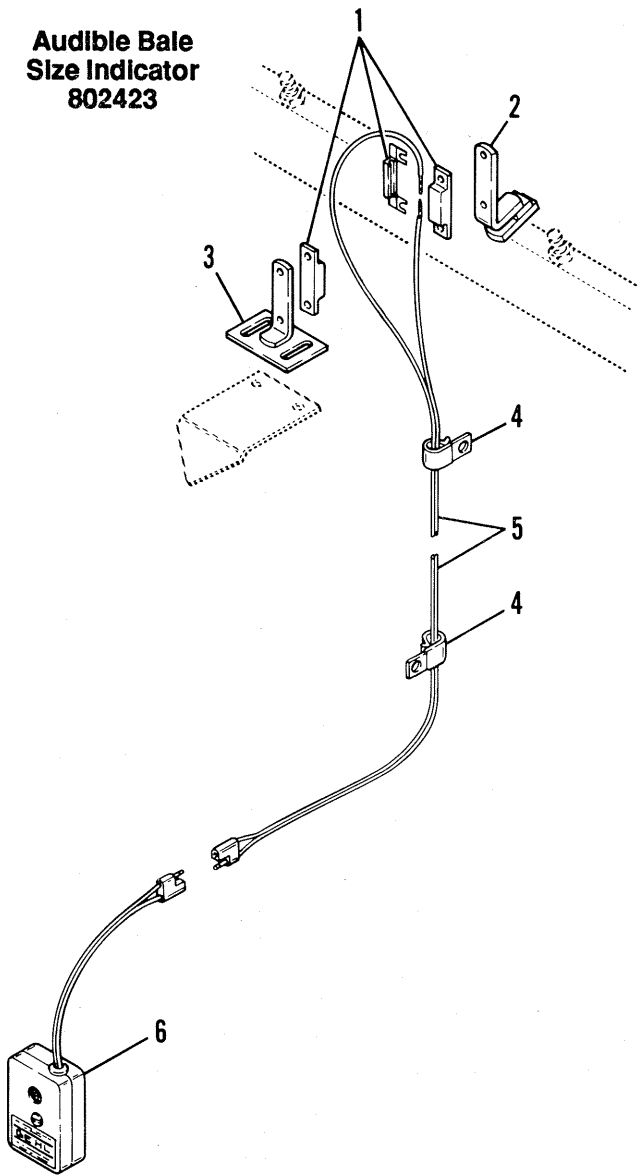
**6" Upper Belt
Dutchman Kit
084384**



REF. NO.	PART NO.	PART NAME	NO. REQ.
	084384	6" UPPER BELT DUTCHMAN	1
		CONSISTS OF:	
01	059803	6" BELT PIN	1
02	084187	6" DUTCHMAN BELT	1

OPTIONS & ACCESSORIES

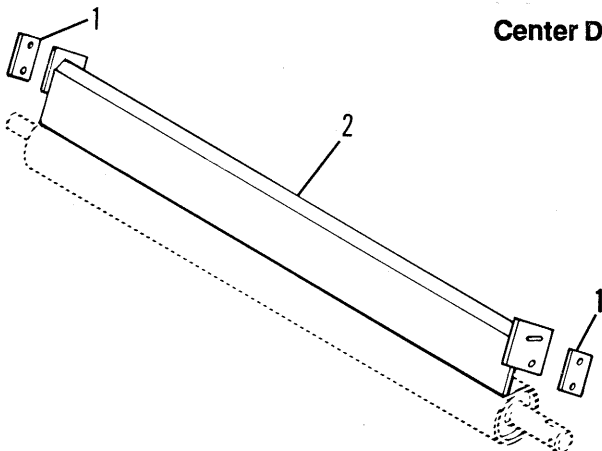
Audible Bale Size Indicator 802423



REF. NO.	PART NO.	PART NAME	NO. REQ.
	802423	AUD. BALE SIZE INDICATOR	1
		CONSISTS OF:	
01	074428	SWITCH & MAGNET ASSY ...	1
	650327	RHMS #6-32X3/4 (8N,P)	4
02	074422	SWITCH MOUNT	1
	650486	CS 5/16X3/4	1
03	074419	MAGNET BASE	1
	650491	CS 3/8X1-1/4 (N,L,P)	2
04	058615	CLAMP	3
05	074429	2-POLE CONNECTOR W/300" OF #8 AWG WIRE	1
06	074426a	AUD. BALE SIZE INDICATOR	1

a) POWERED BY (1) 9-VOLT D.C. ALKALINE TRANSISTOR RADIO-TYPE BATTERY (PURCHASED LOCALLY)

076839 Center Drive Scraper Kit



REF. NO.	PART NO.	PART NAME	NO. REQ.
	076839	CENTER DRIVE SCRAPER KIT	1
		CONSISTS OF:	
01	074750	SPACER	2
02	074746	CENTER DRIVE SCRAPER	1
	650786	CB 3/8X1-1/4 (N,L,P)	4

**Re-Lacing Kit
802700**

REF. NO.	PART NO.	PART NAME	NO. REQ
	802700	RE-LACING KIT	1
		CONSISTS OF:	
01	073390	LACING KIT	1
02	076764	VICE LACER	1

**Lacing Kit
073390**

REF. NO.	PART NO.	PART NAME	NO. REQ
01	073390	LACING KIT	1
		CONSISTS OF:	
		#4-1/2 CLIPPER HOOK	6
		CABLE - 72"	1

**Packing Roller Laging Kit
068633**

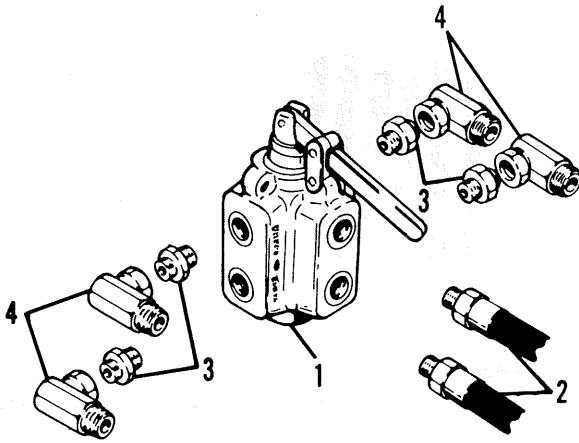
REF. NO.	PART NO.	PART NAME	NO. REQ
	068633	PACKING ROLLER LAGGING	1
		CONSISTS OF:	
01	068846	RIVET	36
02	068847	LAGGING	2
03	068848	STRIP COVER	4
04	068849	DRILL BIT - 13/64 DIA. .	1

**Flow Control Valve Kit
802646**

REF. NO.	PART NO.	PART NAME	NO. REQ
	802646	FLOW CONTROL VALVE KIT .	1
		CONSISTS OF:	
01	062910	NIPPLE - 1/2 NPTF	1
02	076592	FLOW CONTROL VALVE	1

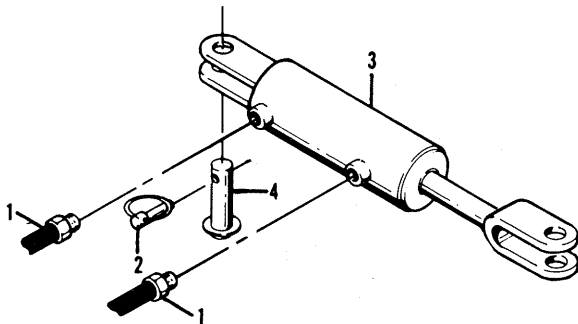
OPTIONS & ACCESSORIES

Dual Hydraulics Kit 801087



REF. NO.	PART NO.	PART NAME	NO. REQ.
	801087	DUAL HYDRAULICS KIT	1
		CONSISTS OF:	
01	060597	DOUBLE SELECTOR VALVE ..	1
	650818	CS 3/8X2 (N,L)	2
02	060598	HOSE	2
03	060599	NIPPLE - 3/4 HEXAGON ...	4
04	060600	UNION	4

Hydraulic Twine Wrapping Kit 801088



REF. NO.	PART NO.	PART NAME	NO. REQ.
	801088	HYDRAUL. TWINE WRAPPING	1
		CONSISTS OF:	
01	059539	HOSE - 3/8X120"	2
02	060471	KLIK PIN	1
03	060626a	HYDRAULIC CYLINDER 8" STROKE, 3" BORE	1
04	060629	ATTACHMENT PIN	1

a) FOR SEAL KIT, ORDER 060627

NUMERICAL INDEX

PART NO.	PAGE NO.	REF. NO.	PART NO.	PAGE NO.	REF. NO.	PART NO.	PAGE NO.	REF. NO.	PART NO.	PAGE NO.	REF. NO.
6H 130	27	12	040000			056211	12	08	059692	07	29
9H 240	21	46	041499	27	29	056249	15	33	059708	18	20
9H 240	29	04	041499	24	06	056345	21	33	059720	19	08
9H 300	11	25	041881	15	32	056378	07	25	059721	09	06
9H 300	13	13	042135	15	41	056773	29	13	059721	15	50
9H 300	18	17	042158	21	43	057122	07	26	059721	18	23
9H 300	19	05	042162	11	04	057179	23	10	059721	08	06
17H 140	18	07	042163	11	03	057179	19	17	059754	12	12
17H 349	21	07	042598	29	25	057350	21	32	059756	12	15
17H 361	21	31	045327	30	01	057351	21	34	059757	12	14
17H 387	27	32	045327	32	01	057512	15	19	059765	12	03
B11069	08	07	045327	31	02	057617	21	17	059766	12	04
B11069	18	22	045327	31	01	057778	36	01	059803	23	30
B11069	09	07	045582	11	09	057779	36	02	059803	41	01
B11090	24	26	045882	31	02	057781	36	03	060000		
B11162B	41	02	045883	31	03	057919	18	11	060295	12	02
B11162B	21	01	046754	12	16	057920	18	12	060375	36	03
B11162B	29	06	047269	27	22	057965	23	14	060376	36	09
B11343	29	14	048459	21	13	057980	19	10	060471	44	02
B11433A	19	24	050000			058326	07	02	060515	33	08
C 133	13	10	051250	29	10	058357	21	09	060516	33	07
C14121	21	48	051250	21	59	058489	21	03	060597	44	01
D 932A	12	07	051916	24	22	058613	29	35	060598	44	02
D 932A	41	01	052205	21	30	058615	42	04	060599	44	03
H 487	27	04	052588	07	30	058615	39	06	060600	44	04
H 267A	29	38	052588	39	09	058807	15	22	060626	44	03
H 267A	13	22	053342	21	58	059052	36	01	060629	44	04
H 6172	12	21	053342	29	09	059053	36	02	060972	36	10
H 7125	15	35	053688	15	05	059059	36	05	060979	12	19
H 7165	13	18	053865	30	02	059064	36	06	061006	12	18
H 7165	19	15	053900	13	03	059075	39	11	061059	36	05
H 7812	21	11	054161	33	16	059272	12	34	061060	36	06
H 8330	18	16	054353	21	50	059299	36	07	061061	36	07
H 8354	15	16	054586	07	14	059321	36	08	061062	36	08
H6053B	07	24	054586	07	21	059424	29	39	061124	30	07
H8054	12	09	055142	19	09	059453	29	01	061125	31	15
M12361	08	10	055354	30	03	059539	44	01	061125	32	05
M12361	09	10	055354	31	08	059554	33	19	061125	30	08
R13216	24	11	055354	32	02	059562	33	13	061125	12	05
U10023	39	04	055355	30	04	059563	33	14	061126	30	09
U10014B	29	47	055356	30	05	059564	33	05	061126	31	09
U10014B	27	10	055356	32	03	059565	33	04	061126	32	06
U10063	13	04	055356	31	01	059566	33	02	061127	31	03
018000			055358	32	04	059567	33	06	061127	32	07
018453	12	01	055358	31	06	059569	33	01	061127	30	10
018453	25	01	055358	30	06	059572	33	03	061276	34	04
018453	15	45	055447	21	47	059574	33	20	061501	16	16
027000			055690	12	37	059576	31	08	061529	21	49
027003	27	17	055691	12	36	059579	31	04	061529	29	08
027003	19	02	055692	12	35	059580	31	05	061700	12	23
027003	23	02	055896	29	18	059581	31	06	061700	31	07
027003	15	13	056145	13	07	059692	12	25	061708	18	18

NUMERICAL INDEX

PART NO.	PAGE NO.	REF. NO.	PART NO.	PAGE NO.	REF. NO.	PART NO.	PAGE NO.	REF. NO.	PART NO.	PAGE NO.	REF. NO.
061809	24	07	066398	21	35	070470	27	31	071605	15	30
062342	07	38	066429	25	10	070605	13	21	071606	15	34
062342	24	16	066446	25	18	070607	19	26	071607	15	36
062910	43	01	066452	25	11	070609	29	22	071608	15	38
063586	16	04	066467	07	15	070610	29	17	071609	15	42
063592	36	09	066480	15	25	070612	29	15	071620	15	17
064031	39	13	066487	16	07	070619	29	48	071626	15	23
064331	29	56	066487	15	31	070620	29	36	071627	15	02
064389	16	08	066487	16	11	070625	29	33	071631	15	20
064415	41	03	066489	15	28	070631	29	32	071635	15	11
064669	29	43	066490	15	26	070633	29	51	071637	15	54
065663	29	05	066492	15	37	070638	29	20	071643	15	53
065674	12	32	066511	15	01	070643	19	20	071645	15	46
065679	13	19	066526	15	07	070644	29	16	071646	15	52
065703	13	14	066528	15	10	070691	18	01	071660	19	27
065721	12	33	066531	15	09	070701	19	14	071739	29	46
065728	33	18	066532	15	08	070702	23	12	071741	29	45
065729	33	21	066533	15	15	070730	19	11	071764	23	13
065730	33	11	066537	13	02	070736	21	10	071765	23	21
065731	33	10	066540	13	01	070749	21	51	071767	23	07
065811	19	25	066542	13	06	070750	27	11	071768	19	04
066160	19	18	066554	31	09	070752	29	21	071858	41	04
066170	23	26	066555	31	10	070754	07	34	071884	13	11
066173	19	22	066717	11	11	070757	29	28	071886	13	12
066174	19	23	066764	27	33	070758	29	11	071938	29	34
066182	23	20	066765	27	34	070758	21	60	071939	15	40
066183	23	04	067040	39	23	070765	29	27	071942	19	12
066208	24	14	067166	12	27	070775	29	19	071965	07	40
066221	24	02	067170	41	02	070777	29	53	071967	07	37
066226	24	04	067173	32	08	070778	29	26	071970	15	43
066227	07	41	067173	41	03	070779	29	12	071981	19	06
066252	33	15	067491	25	12	070788	29	42	071986	19	19
066253	33	09	067516	15	06	070789	29	41	072014	15	18
066260	25	04	067537	31	14	070791	16	09	072026	11	18
066280	12	24	067880	39	17	070795	16	10	072027	11	27
066284	12	22	067880	25	13	070796	16	20	072032	11	19
066285	41	01	068633	43	00	070797	16	05	072069	21	15
066285	31	07	068846	43	01	070798	16	06	072168	29	07
066309	27	18	068847	43	02	070804	16	15	072171	29	02
066350	27	06	068848	43	03	070868	13	16	072172	29	03
066351	27	07	068849	43	04	070870	21	19	072176	24	19
066352	27	20	068938	25	17	070877	11	22	072478	11	26
066363	27	15	069255	36	04	070879	11	24	072554	15	29
066369	27	13	069257	36	11	070880	11	21	072557	15	21
066375	07	31	069531	15	24	071048	15	39	072624	11	10
066376	27	23	069789	27	30	071117	34	00	072627	41	05
066377	27	09	069792	21	29	071117	11	28	072641	41	06
066380	27	08	069793	21	28	071415	29	53	072645	41	07
066383	25	05	069794	21	27	071520	27	16	072650	41	08
066385	25	06	069847	21	24	071520	11	29	072651	41	09
066392	21	06	070000			071520	12	20	072655	41	10
066396	12	26	070323	21	37	071601	15	44	072658	41	11

NUMERICAL INDEX

PART NO.	PAGE NO.	REF. NO.	PART NO.	PAGE NO.	REF. NO.	PART NO.	PAGE NO.	REF. NO.	PART NO.	PAGE NO.	REF. NO.
072659	41	12	075440	18	10	076439	21	04	077526	19	16
072660	41	13	075447	18	06	076477	24	09	077826	29	24
073172	07	33	075448	25	16	076490	24	23	077843	09	02
073234	41	14	075450	12	29	076499	21	14	077844	09	13
073390	43	01	075458	13	15	076502	21	05	077845	09	04
073390	43	01	075460	15	49	076504	21	08	077846	08	12
073513	29	23	075461	18	04	076505	21	02	077846	09	12
073722	21	18	075464	12	31	076540	07	09	077847	09	11
073846	15	04	075465	13	23	076541	07	08	077847	08	11
074027	21	39	075467	15	48	076543	07	12	077848	08	05
074028	21	38	075473	07	42	076544	07	13	077848	09	05
074408	19	13	075479	07	36	076545	07	19	077949	29	57
074419	42	03	075482	21	40	076546	07	18	077950	29	55
074422	42	02	075489	21	23	076547	07	20	077952	29	60
074426	42	06	075490	24	21	076548	21	52	077954	29	29
074428	42	01	075494	24	15	076549	21	53	078060	19	07
074428	39	02	075497	07	39	076551	29	44	078128	23	05
074429	42	05	075498	07	35	076552	29	40	078295	19	28
074667	24	20	075499	15	51	076566	11	15	078301	23	28
074669	24	17	075500	24	24	076568	11	13	078812	21	62
074671	12	28	075501	24	25	076586	11	12	079061	21	42
074746	42	02	075502	24	08	076592	43	02	079716	11	02
074750	42	01	075507	13	17	076655	39	16	079878	12	30
074755	29	61	075550	11	16	076661	39	14	079878	08	03
074779	29	54	075552	27	26	076662	39	08	079878	07	17
074784	29	58	075554	27	27	076668	39	07	079878	12	38
074785	29	59	075557	11	17	076669	39	03	079878	09	03
074792	29	30	075641	07	04	076671	39	01	080000		
074793	29	31	075642	07	05	076678	11	14	080795	11	07
074963	23	18	075650	15	47	076683	07	10	080925	23	29
074964	23	17	075651	15	55	076684	07	11	084187	41	02
074965	23	19	075688	18	05	076691	07	16	084384	41	00
075325	18	09	075689	21	12	076732	15	03	084608	23	06
075331	18	08	075691	21	21	076764	43	02	084612	23	27
075341	11	20	075694	16	17	076788	29	52	084614	23	25
075383	21	22	075699	16	18	076821	11	23	084616	16	19
075384	21	36	075700	21	55	076839	42	00	084622	16	14
075393	24	03	075701	21	56	076866	34	02	084624	16	12
075395	21	26	075702	21	57	076867	34	01	084625	16	13
075396	24	18	075705	21	45	076868	34	03	084627	16	02
075399	13	08	075729	24	10	076892	09	08	084628	16	03
075401	13	09	075730	21	44	076892	08	08	084630	16	01
075402	21	61	075733	07	23	077093	37	00	084631	27	19
075406	21	20	075829	13	05	077093	36	04	084639	27	25
075409	21	54	075937	18	14	077094	37	05	084644	27	21
075412	21	16	075941	18	13	077095	37	04	084648	27	24
075413	24	01	076106	33	00	077095	37	04	084650	27	14
075417	21	25	076107	33	17	077096	37	03	084651	27	01
075419	21	41	076161	11	31	077097	37	02	084655	27	02
075422	18	03	076161	18	26	077097	37	02	084656	18	15
075426	18	02	076161	07	07	077098	37	01	084658	18	21
075427	18	19	076416	23	15	077098	37	01	084661	18	24

NUMERICAL INDEX

PART NO.	PAGE REF.		PART NO.	PAGE REF.		PART NO.	PAGE REF.		PART NO.	PAGE REF.	
	NO.	NO.		NO.	NO.		NO.	NO.		NO.	
084664	18	25	088343	39	21	510228	31	11	580116	29	49
084665	07	27	088344	39	05	510229	31	10	600000		
084666	07	03	088345	39	22	510229	32	15	651022	29	50
084667	07	28	088346	39	12	510233	32	16	666002	12	13
084671	07	01	088808	23	19	520000	33	12	800000		
084673	08	02	088809	16	18	520054	11	06	801087	44	00
084674	08	13	088854	11	14	520064	41	15	801088	44	00
084675	08	04	089760	13	20	520065	23	03	801552	41	00
084679	07	22	089829	31	16	520065	19	03	802232	41	00
084680	08	09	089829	12	06	520065	27	05	802423	42	00
084680	09	09	089954	37	06	520065	15	14	802659	36	00
084682	11	01	089956	37	03	520066	12	17	802700	43	00
087100	19	21	089958	37	05	520067	23	16	802746	43	00
087228	23	11	500000			520085	23	01	804102	39	00
087228	23	22	510023	32	09	520085	19	01	200-32000		
087228	23	09	510023	31	05	520085	15	12	200-32423	11	30
087393	25	02	510023	30	11	520085	27	03	200-32423	18	27
087394	25	15	510023	31	11	520090	23	08	200-32423	07	06
087395	25	07	510100	31	12	520093	27	28			
087396	25	09	510100	32	10	520093	23	24			
087397	25	08	510100	31	04	520093	24	05			
087400	25	03	510100	30	12	520098	24	12			
087403	25	14	510215	32	11	520099	24	13			
087599	09	01	510215	31	07	520135	12	11			
087600	08	01	510215	30	13	520136	12	10			
088338	39	10	510215	31	13	520139	07	32			
088339	37	00	510226	32	12	520158	23	23			
088339	39	15	510226	31	12	520175	15	27			
088340	39	19	510227	31	13	520201	11	08			
088341	39	20	510227	32	13	540020	29	37			
088342	39	18	510228	32	14	550041	11	05			

TORQUE SPECIFICATIONS FOR STANDARD MACHINE HARDWARE

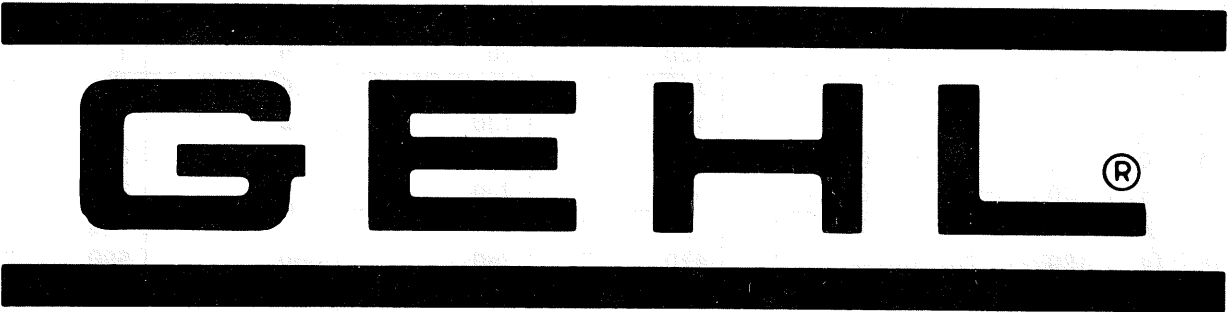
SIZE	SAE GRADE #2				SAE GRADE #5				SAE GRADE #8			
	DRY		LUB.		DRY		LUB.		DRY		LUB.	
8 - 32	19	In. Lbs.	14	In. Lbs.	30	In. Lbs.	22	In. Lbs.	41	In. Lbs.	31	In. Lbs.
8 - 36	20	"	15	"	31	"	23	"	43	"	32	"
10 - 24	27	"	21	"	43	"	32	"	60	"	45	"
10 - 32	31	"	23	"	49	"	36	"	68	"	51	"
1/4 - 20	66	"	50	"	9	Ft. Lbs.	75	"	12	Ft. Lbs.	9	Ft. Lbs.
1/4 - 28	76	"	56	"	10	"	86	"	14	"	10	"
5/16 - 18	11	Ft. Lbs.	9	Ft. Lbs.	17	"	13	Ft. Lbs.	25	"	18	"
5/16 - 24	12	"	9	"	19	"	14	"	25	"	20	"
3/8 - 16	20	"	15	"	30	"	23	"	45	"	35	"
3/8 - 24	23	"	17	"	35	"	25	"	50	"	35	"
7/16 - 14	32	"	24	"	50	"	35	"	70	"	55	"
7/16 - 20	36	"	27	"	55	"	40	"	80	"	60	"
1/2 - 13	50	"	35	"	75	"	55	"	110	"	80	"
1/2 - 20	55	"	40	"	90	"	65	"	120	"	90	"
9/16 - 12	70	"	55	"	110	"	80	"	150	"	110	"
9/16 - 18	80	"	60	"	120	"	90	"	170	"	130	"
5/8 - 11	100	"	75	"	150	"	110	"	220	"	170	"
5/8 - 18	110	"	85	"	180	"	130	"	240	"	180	"
3/4 - 10	175	"	130	"	260	"	200	"	380	"	280	"
3/4 - 16	200	"	150	"	300	"	220	"	420	"	320	"
7/8 - 9	170	"	125	"	430	"	320	"	600	"	460	"
7/8 - 14	180	"	140	"	470	"	360	"	660	"	500	"
1 - 8	250	"	190	"	640	"	480	"	900	"	680	"
1 - 12	270	"	210	"	710	"	530	"	1000	"	740	"

Multiply In. Lbs. by (0.113) or Ft. Lbs. by (1.355) for metric Nm.

NOTE: These torque values are to be used for all GEHL hardware excluding: locknuts, self-tapping screws, thread forming screws, and sheet metal screws. Unless otherwise noted, all torque values must meet this specification.

Attaching Hardware Table

Part Number	Size & Description	Part Number	Size & Description	Part Number	Size & Description	Part Number	Size & Description
650658	#6-32N	654002	1/4P	654026	3/8L	654032	5/8L
645044	#6L	653007	5/16N	654006	3/8P	654012	5/8P
654043	#6P	071701	5/16LN	653018	1/2N	653026	3/4N
650550	#10-24N	064260	5/16NILN	653044	1/2JN	653089	3/4NF-CN
650549	#10L	654024	5/16L	071706	1/2LN	654034	3/4L
650627	#12-24N	654004	5/16P	068034	1/2NILN	654014	3/4P
650813	#12L	653010	3/8N	654030	1/2L	653130	1"N
653005	1/4N	653038	3/8JN	654009	1/2P	650820	1"JN
071700	1/4LN	071703	3/8LN	653021	5/8N	066777	1"NF-NILN
654022	1/4L	067847	3/8NILN	071709	5/8LN	654016	1"P



GEHL®



FARM EQUIPMENT

GEHL COMPANY WEST BEND, WISCONSIN 53095 U.S.A.

Technical literature table

Model	Series	Power	Capacity	Weight	Dimensions	Price	Notes
1000	1000	1000	1000	1000	1000	1000	
1001	1001	1001	1001	1001	1001	1001	
1002	1002	1002	1002	1002	1002	1002	
1003	1003	1003	1003	1003	1003	1003	
1004	1004	1004	1004	1004	1004	1004	
1005	1005	1005	1005	1005	1005	1005	
1006	1006	1006	1006	1006	1006	1006	
1007	1007	1007	1007	1007	1007	1007	
1008	1008	1008	1008	1008	1008	1008	
1009	1009	1009	1009	1009	1009	1009	
1010	1010	1010	1010	1010	1010	1010	