

Form No.
901977
Replaces
901879

BH1500

Bale Handler



Owner's, Service and Parts Manual

GEHL[®] COMPANY

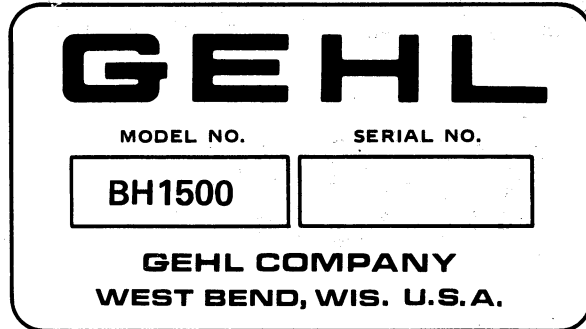
BH1500 - INTRODUCTION

Mr. Owner:

Your decision to purchase Gehl equipment is a wise one. You have made a sound and lasting investment. Gehl Company has been building farm equipment for well over a century. Today, it is our only business. Our entire manufacturing and marketing philosophy is built upon quality. The quality built into Gehl products assure you the performance and reliability you need to make a profit. It is our hope that you will return to Gehl for all your forage harvesting, handling and feedmaking equipment.

Over 2000 Implement Dealers are authorized to service your Gehl equipment. They maintain genuine Gehl service parts.

All service parts should be obtained from or ordered through your Gehl dealer. Give complete information when ordering service parts. The model number and serial number should always be given. Numbers for this unit are stamped on a plate located on center cross member on lower end of 4 x 16 Cylinder. Record numbers in space provided as a handy record for quick reference.



“Right” and “Left” are determined from a position standing at the rear of the unit looking toward direction of travel.

Gehl Company reserves the right to make changes or improvements in the design or construction of any part without incurring the obligation to install such changes on any unit previously delivered.

TABLE OF CONTENTS

	Page
Introduction	2
Specifications	2
Checklists	3-5
Warning	6
Set-up & Assembly	7-9
Operation	9-11
Lubrication	12
Accessories	13
Service Parts	14-15
Decal Locations	16-17

BH1500 - SPECIFICATIONS

Mounts on category II and III tractors.
 Equipment Complete jack-stand and safety bar for tractor operator
 Maximum handling capacity 2000 lbs.
 Maximum raised elevation
 center of fork claw to ground 15'0"
 Minimum raised elevation
 center of fork claw to ground 6"
 Maximum width between arms - Open 9'5-1/4"
 Minimum width between arms - Closed 2'11"
 Overall Width 80"
 Overall Height 84"
 Overall Length 50"
 Weight - less cylinders approx. 920 lbs.

Hydraulic requirements:
 1450 PSI or better system with two separate double acting circuits.
 Hydraulic cylinder, ASAE . . . 8" stroke 2-1/2 or 3 inch bore required (not furnished)
 Hydraulic cylinder 16" stroke required (standard equipment)
 Relub rockshaft bearings
 Relub fork claw assembly
 Optional Accessories: . . . 3" bore 8" stroke cylinder with hoses for arms.
 Double selector valve to provide one additional hydraulic circuit.
 Manual Shut-off Valve

(Specifications Subject to Change Without Notice)

Warranty

GEHL COMPANY

New Agricultural Equipment

Gehl Company (Incorporated), hereinafter referred to as GEHL, as manufacturer of quality machinery since 1859, warrants new GEHL machinery and/or attachments at the time of delivery to the original purchaser to be free from defects in material and workmanship if properly set up and operated in accordance with the recommendations set forth in GEHL's Owners Manual.

GEHL's liability for any defect with respect to accepted goods shall be limited to repairing the goods at an authorized GEHL dealer or other GEHL designated location, or replacing them, as GEHL shall elect. The above shall be in accordance with GEHL warranty adjustment policies. GEHL's obligation shall terminate twelve (12) months after the delivery of the goods to the original purchaser.

This warranty shall not apply to any machine or attachment which shall have been repaired or altered outside the GEHL factory or authorized GEHL dealership or in any way so as in GEHL's judgment, to affect its stability or reliability, nor which has been subject to misuse, negligence or accident, nor to any machine or attachment which shall not have been operated in accordance with GEHL's printed instructions or beyond the company recommended machine rated capacity.

This warranty shall not be applicable to items which are subject to the warranties of their respective manufacturers. Such items would include but would not be limited to engines, clutches, universal joints, knives, hydraulic components, bearings, tires, belts and other trade accessories.

EXCLUSION OF WARRANTIES

Except as otherwise expressly stated herein, GEHL makes no representation or warranty of any kind, express or implied, AND MAKES NO WARRANTY OF MERCHANTABILITY IN RESPECT TO ITS MACHINERY AND/OR ATTACHMENTS AND MAKES NO WARRANTY THAT ITS MACHINERY AND/OR ATTACHMENTS ARE FIT FOR ANY PARTICULAR PURPOSE. GEHL shall not be liable for incidental or consequential damages for any breach of warranty, including but not limited to inconvenience, rental or replacement equipment, loss of profits or other commercial loss. GEHL shall not be liable for, and the buyer assumes all liability for, all personal injury and property damage resulting from the handling, possession or use of the goods by the buyer.

No agent, employee or representative of GEHL has any authority to bind GEHL to any affirmation, representation or warranty concerning its machinery and/or attachments except as specifically set forth herein.

GEHL BH1500 BALE HANDLER PRE-DELIVERY CHECK LIST

After the Bale Handler has been completely set-up, check it to be certain it is in correct running order before delivering it to the customer. The following is a list of points to inspect. Check off each item as you have made the proper adjustments and found the item operating satisfactorily.

- | | |
|---|---|
| <p><input type="checkbox"/> Bale Handler has correct Owners Manual.</p> <p><input type="checkbox"/> Bale Handler has been assembled correctly according to instructions in this manual.</p> <p><input type="checkbox"/> All grease fittings have been lubricated. See "Lubrication" section in this manual.</p> | <p><input type="checkbox"/> Check that all bolts are tight.</p> <p><input type="checkbox"/> Check all hydraulic hoses and connections for oil leaks under pressure.</p> |
|---|---|

This Gehl BH1500 Bale Handler pre-delivery check list, when properly filled out and signed by the set-up man assures that pre-delivery service was satisfactorily performed.

(Remove Dealer's File Copy at Perforation)

Signature (Set-up Man)

Date Set-up

Signature (Customer)

DELIVERY CHECK LIST

At the time the Bale Handler is delivered to the customer complete the check list that follows. It is an important reminder of valuable information that should be passed on to the customer. Check off each item as you explain it to the customer. Use the Owner's Manual to assist in the explanation.

- | | |
|---|---|
| <p><input type="checkbox"/> Review each item on pages 6, 7 and 8 that cover safety use of the machine.</p> <p><input type="checkbox"/> Show customer location of all grease fittings. Cover each item in the "Set-up and Assembly" section of this manual.</p> <p><input type="checkbox"/> Cover each item in the "Operation" section of this manual.</p> | <p><input type="checkbox"/> Advise customer to record all serial numbers in spaces provided in the Owner's Manual.</p> <p><input type="checkbox"/> Advise the customer to complete and mail the "Warranty Card".</p> <p><input type="checkbox"/> Give customer the Owner's Manual instructing him to read it completely before operating machine.</p> |
|---|---|

Deliver By

Date Delivered

Customer

GEHL BH1500 BALE HANDLER PRE-DELIVERY CHECK LIST

After the Bale Handler has been completely set-up, check it to be certain it is in correct running order before delivering it to the customer. The following is a list of points to inspect. Check off each item as you have made the proper adjustments and found the item operating satisfactorily.

- | | |
|--|---|
| <p>_____ Bale Handler has correct Owners Manual.</p> <p>_____ Bale Handler has been assembled correctly according to instructions in this manual.</p> <p>_____ All grease fittings have been lubricated. See "Lubrication" section in this manual.</p> | <p>_____ Check that all bolts are tight.</p> <p>_____ Check all hydraulic hoses and connections for oil leaks under pressure.</p> |
|--|---|

This Gehl BH1500 Bale Handler pre-delivery check list, when properly filled out and signed by the set-up man assures that pre-delivery service was satisfactorily performed.

_____ Signature (Set-up Man)	
_____ Date Set-up	_____ Signature (Customer)

DELIVERY CHECK LIST

At the time the Bale Handler is delivered to the customer complete the check list that follows. It is an important reminder of valuable information that should be passed on to the customer. Check off each item as you explain it to the customer. Use the Owner's Manual to assist in the explanation.

- | | |
|--|--|
| <p>_____ Review each item on pages 6, 7 and 8 that cover safety use of the machine.</p> <p>_____ Show customer location of all grease fittings. Cover each item in the "Set-up and Assembly" section of this manual.</p> <p>_____ Cover each item in the "Operation" section of this manual.</p> | <p>_____ Advise customer to record all serial numbers in spaces provided in the Owner's Manual.</p> <p>_____ Advise the customer to complete and mail the "Warranty Card".</p> <p>_____ Give customer the Owner's Manual instructing him to read it completely before operating machine.</p> |
|--|--|

_____ Deliver By	_____ Date Delivered
---------------------	-------------------------

Customer

WARNING

BEFORE YOU ATTEMPT TO OPERATE THIS EQUIPMENT, READ AND STUDY THE FOLLOWING SAFETY INFORMATION. IN ADDITION, MAKE SURE THAT EVERY INDIVIDUAL WHO OPERATES OR WORKS WITH THIS EQUIPMENT, WHETHER FAMILY MEMBER OR EMPLOYEE, IS FAMILIAR WITH THESE SAFETY PRECAUTIONS.

Gehl Company always takes the operator and his safety into consideration when designing farm machinery and guards exposed moving parts for his protection; however, some areas cannot be guarded or shielded in order to assure proper operation. In addition, the owners manual and decals on the machine itself warn you of further danger and should be read and observed closely.



This safety alert symbol means **ATTENTION! BECOME ALERT! YOUR SAFETY IS INVOLVED!** It stresses an attitude of **"HEADS UP"** for safety and can be found throughout this owners manual and on the unit itself.

Remember: The careful operator is the best operator. Most accidents are caused by human error. Certain precautions must be observed to prevent the possibility of injury or damage.

Please read the rules listed below for safe operation before you operate this equipment.

DO NOT allow anyone other than the operator to ride on the tractor while running or transporting the Bale Handler.

Read carefully and understand all operating instructions before attempting to operate the Bale Handler.

DO NOT allow minors to operate or be near the machine unless properly supervised.

Never use the machine unless the gear and safety shield is in place.

DO NOT allow personnel other than the qualified operator near the machine.

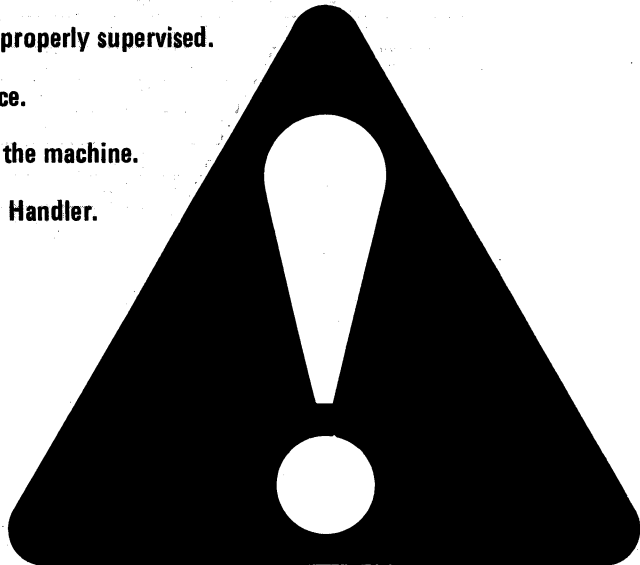
The operator must be seated on the Tractor when using the Bale Handler.

Keep spectators away from the machine while it is in operation.

Allow adequate overhead clearance before lifting bales.

Never leave unit unattended when bale is clamped.

Carry bale as low as possible.



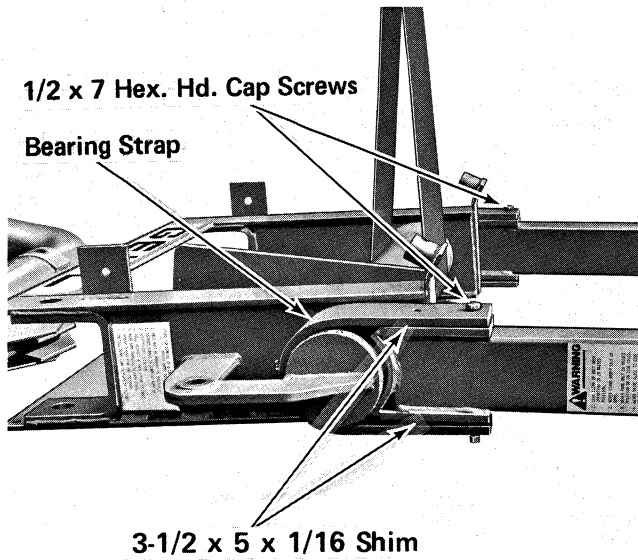
SPECIAL SAFETY NOTES

Bales are large, round and heavy. Possible injury or property damage could result if bales are not properly and carefully handled. Never release or store bales where they could roll down hill.

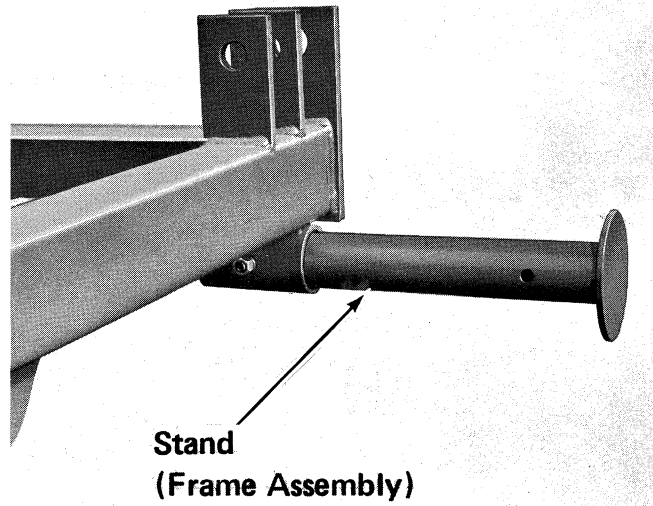
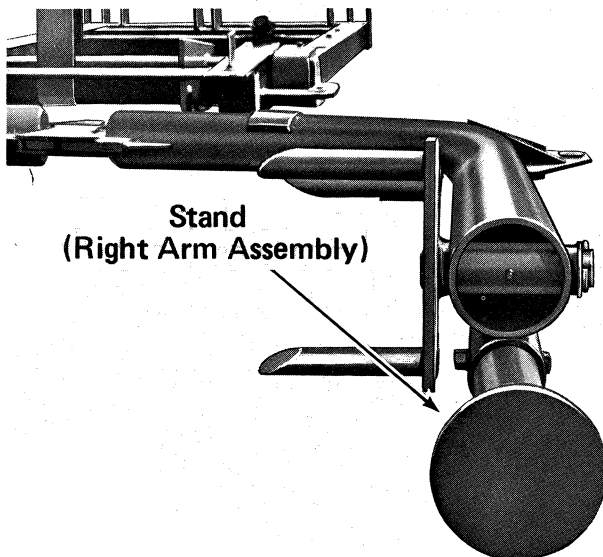
SET UP AND ASSEMBLY

A hoist (or tractor with loader) with a sling capable of lifting 1000 lbs. safely to a height of 8 feet is required to assemble a knocked down BH1500. Follow procedure carefully when assembling the unit. If possible, perform assembly on a concrete floor. Two male hydraulic quick connects (not provided) are required for the 4 x 16 hydraulic cylinder.

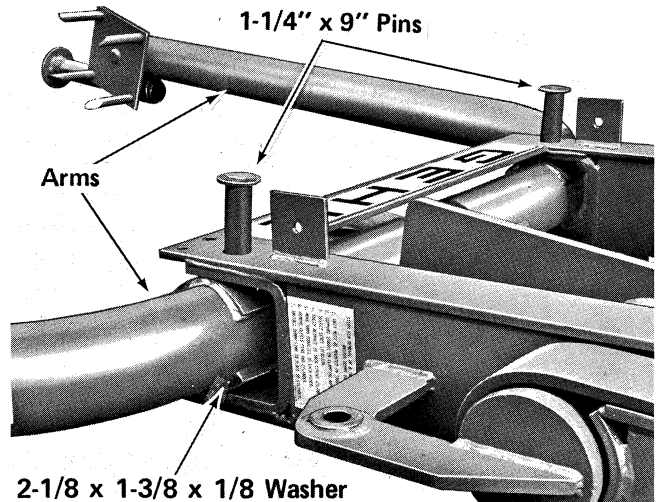
1. Remove bundling straps and layout parts leaving wood pallet under the handler frame. Remove contents of the carton.
2. Pregrease the two 5 inch diameter journals. With the hoist, position rock shaft on the frame. Secure each end with (1) 1/2 x 7 Hexagon Head Cap Screw, (2) 3-1/2 x 5 x 1/16 Shim, (1) 1/2 Lock Washer, (1) 1/2 Hexagon Nut and (1) Bearing Strap. **NOTE: The 1/2 x 7 Hexagon Head Cap Screws MUST be positioned in lower holes as shown.**



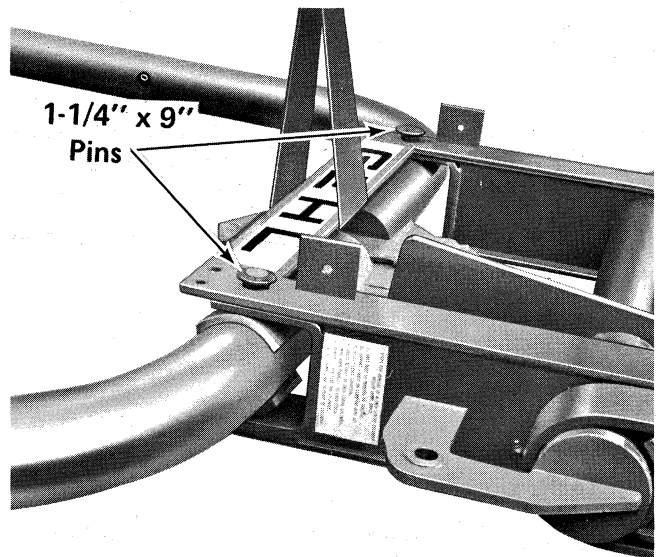
3. Extend all (4) stands as shown and secure.



4. Place one 2-1/8 O.D. x 1-3/8 I.D. x 1/8 Washer under each arm wear pad area. Then, insert 1-1/4 Dia. x 9 pin thru the Rock Shaft, Washer and Arm as shown. Push the 1-1/4 Pin down as far as possible.

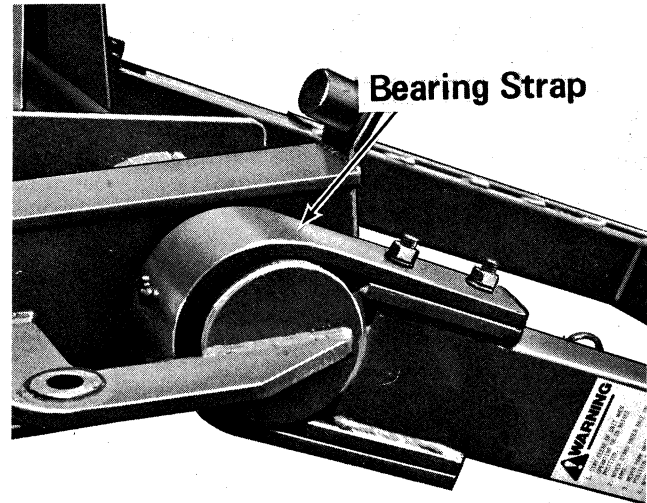
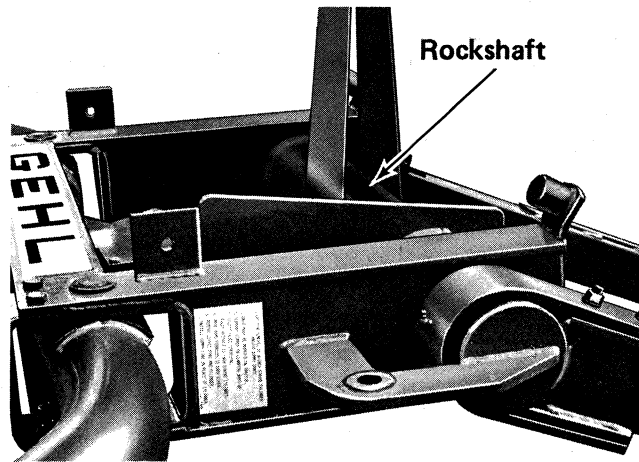


5. Change hoist sling position as shown to elevate the arms. Push 1-1/4 x 9 Pin down until heads are flush.



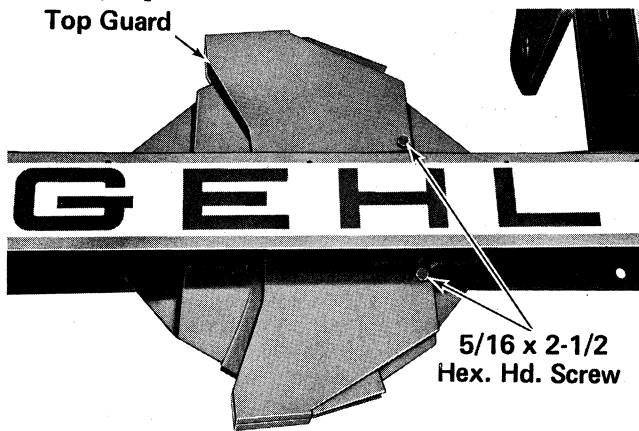
BH1500 - SET-UP and ASSEMBLY

6. Reposition hoist sling to the Rock Shaft as shown. Raise center of the Rock Shaft about 2 feet off the ground.

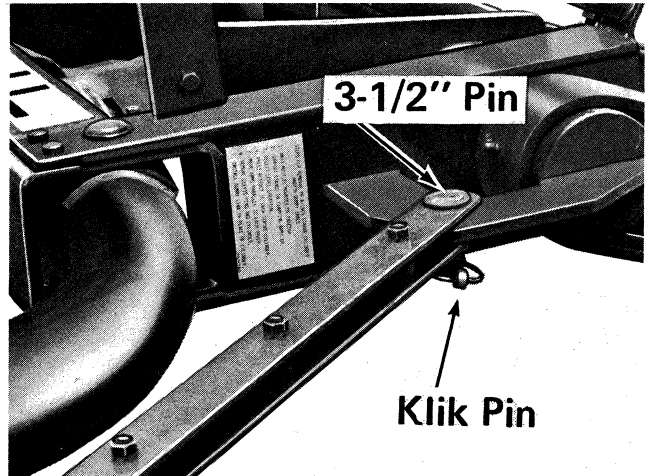


7. Secure each of the 1-1/4 x 9 Pin with (1) 1-11/16 O.D. x 1-5/16 I.D. x 1 inch Collar, (2) 1/4 x 2-1/4 Hexagon Head Cap Screws, (2) 1/4 Hexagon Lock Nuts. **NOTE: Jam two Lock Nuts together.**

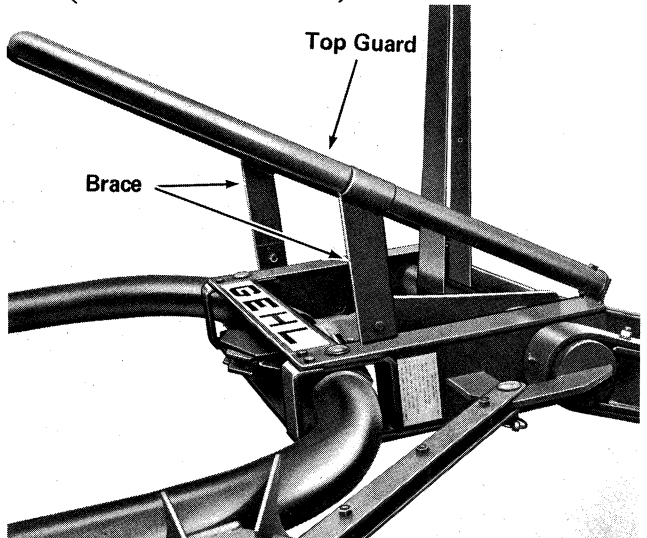
8. Install Gear Selector Guard as shown with (2) 5/16 x 2-1/2 Hexagon Head Cap Screws, (4) 9/16 outside diameter by 5/16 Bolt Spacer and (2) 5/16 Hexagon Lock Nuts. Top and bottom guards are slightly different. Assemble Gear Selector Guards so 4-7/16 bent over lip is toward 5 inch diameter Rock Shaft and the 3-5/8 lip is toward end of the Arm.



11. Install Auxiliary Cylinder Brace as shown with (2) 1 inch Diameter by 3-1/2 inch Pins and (2) Klik Pins provided. Flat of Klik Pin should be toward the pin head.



12. Install the Top Guard and Braces as shown with (2) 1/2 x 2-1/2 Hexagon Head Cap Screws, (2) 1/2 x 1-1/4 Hexagon Head Cap Screws, (2) 1/2 Lock Washers, (2) 1/2 Hexagon Nuts and (2) 1/2 Hexagon Lock Nuts. (thru tube with lock nuts).

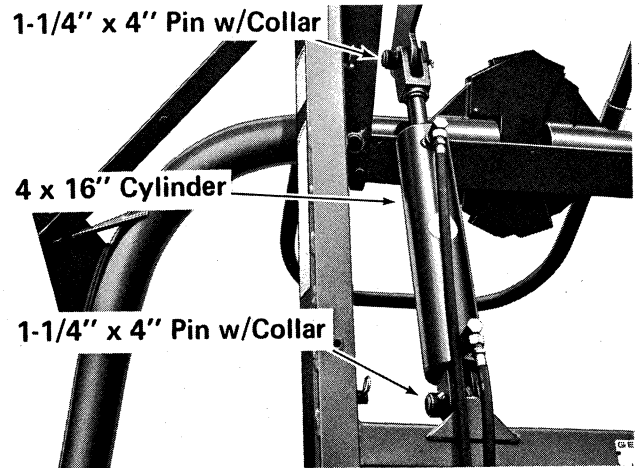


9. Install each Clevis End with (4) 1/2 x 1-1/2 Hexagon Head Cap Screws (heads to the outside) (4) 1/2 Lock Washers and (4) 1/2 Hexagon Nuts.

10. Install the following hardware on each Bearing Strap in upper bolt hole.
- (1) 1/2 x 7 Hexagon Head Cap Screw (Bolt head **MUST** be on bottom).
 - (1) 1/2 Lock Washer.
 - (1) 1/2 Hexagon Nut.

Remove 1/2 x 7 Cap Screws from Lower Holes (installed in Step 2) and install with heads toward the bottom.

13. Install 43 Link Safety Chain on the Main Frame with (1) 5/16 x 1 Hexagon Head Cap Screw, (1) 5/16 Plain Washer and (1) 5/16 Hexagon Lock Nut. See picture on page 11.
14. Install two hoses on the 4 x 16 stroke Hydraulic Cylinder. The short hose is to be connected to Anchor End of the Cylinder. Install proper two Male Hydraulic Quick Connects (not provided) on each hose end. Then, connect hoses to the tractor and cycle the cylinder several times to make sure cylinder is full of oil. Contract the 4 x 16 Cylinder 2 inches from completely contracted position and disconnect from the tractor. It takes about 1 gallon of oil to prime the cylinder and hoses. Check your tractor oil level after priming the cylinder. Replenish supply as required.
15. Hoist assembled unit up with support stands off the ground. Lower the unit until feet are just touching the ground. Carefully remove one of the one inch pins on short cylinder brace and move arms out 1 foot.
16. Carefully install the 4 x 16 Cylinder as shown with (2) 1-1/4 Diameter x 4 inch Relube Pins, (2) 1-11/16 O.D. x 1-5/16 I.D. x 1 Collar, (2) 1/4 x 2-1/4 Hexagon Head Cap Screw, and (4) 1/4 Hexagon Lock Nuts.
NOTE: Jam two lock nuts together.



NOTE: Since the 4 x 16 Cylinder is part of the supporting structure it should never be removed unless the BH1500 is disassembled.

17. Raise the hoist and install one inch pin (removed in Step 15) to connect the short Cylinder Brace.
18. Loop Safety Chain thru "U" Hook on Right Clamping Arm. Pull chain tight and secure the "S" Hook on the chain.
19. Lower and remove hoist sling. The BH1500 is ready to install on the tractor per instructions given.

BH1500 - OPERATION

8 INCH STROKE HYDRAULIC CYLINDER

A slim line 8 inch stroke agricultural cylinder with 2-1/2 or 3 inch diameter bore is required to open and close the BH1500 Clamping Arms. The cylinder should have two hoses of approximately 120 inch length with appropriate quick disconnects attached to each hose. The cylinder with hoses and quick disconnects should be cycled several times to insure that the cylinder is primed with oil.

NOTE: The 8 inch stroke cylinder and auxiliary link should never be removed from or installed on the BH1500 unless:

1. The BH1500 is mounted and supported on a 3-point tractor hitch with the two arm stands retracted.
2. The tractor is on level ground.
3. The 4 x 16 cylinder is retracted.
4. The clamping arms are approximately parallel.

Before the BH1500 is dismantled from the tractor, the 8 inch stroke cylinder **MUST** be removed and replaced by the auxiliary cylinder link.

The 8 inch stroke cylinder should be installed per Steps 6 and 7 of the next section.

MOUNTING THE BH1500 ON THE TRACTOR

Before attempting to mount the BH1500 on a tractor the following condition **MUST** be adhered to:

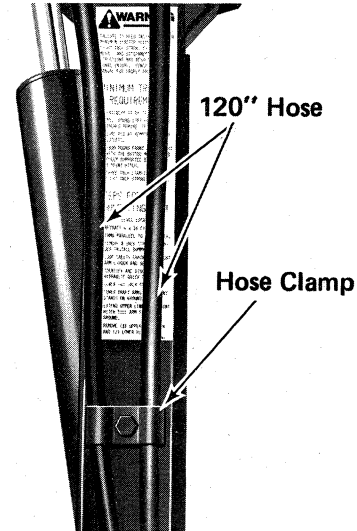
- A. The BH1500 **MUST** be supported on its four stands.
- B. The 4 x 16 Cylinder **MUST** be installed and contracted.
- C. Quick connects **MUST** be attached to the 4 x 16 Cylinder hoses.
- D. The auxiliary brace **MUST** be installed for the clamping arms. (If the 8 inch stroke cylinder is installed, the BH1500 was not dismantled per the recommended procedure.)

Follow procedure below for mounting the BH1500.

1. Back tractor up to the BH1500. Align lower tractor arms to connect the lower attaching points. For Category III tractors, attach tractor hitch arms between outside pair of ears with the larger diameter of the dual diameter pin. Secure each dual diameter pin with a klik pin. Flat of klik pin should be toward the pin head.



2. Extend upper link of the three point hitch and attach it to the upper attachment bracket. Use upper 1-1/4 inch hole for Category III tractors and lower 1 inch hole for Category II tractors. Both size pins 4-3/8 inch long are provided. Secure pin with a klik pin with the flat toward pin head.
3. Shorten top link so that main frame of the BH1500 is vertical.
4. Attach hydraulic quick connects on the 4 x 16 cylinder into left or upper set of tractor hydraulic connectors. The line on anchor end **MUST** be attached to an outlet with no internal leaks.
5. Unhook safety chain from the right arm.
6. Raise the 3-point hitch arm until all four stands are off the ground. Then, retract each of the four jack stands.
7. Remove auxiliary link and install the 8 inch stroke cylinder. See previous section for details. Then attach the hydraulic quick connects into second tractor hydraulic circuit. The line on anchor end **MUST** be attached to an outlet with no internal leaks.
8. Carefully raise 3-point hitch fully upward and extend the 4 x 16 cylinder completely. Check for sufficient hose lengths. **NOTE: With tractor hitch raised and the 4 x 16 cylinder extended, top of the arm claws will be approximately 16 feet off the ground. Make sure this area above the BH1500 is clear.**
9. With arms fully raised, contract the 8 inch stroke cylinder. Note hose length required. Secure the 120 inch hoses with (2) 1/2 x 1 Hexagon Head Cap Screws, (2) 1/2 Lock Washers and (2) Double Hose Clamps provided.



10. Adjust sway blocks on lower 3-point hitch arms to eliminate excessive sideway movement.
11. Add front tractor weights as required to obtain a minimum front axle weight of 2800 with the BH1500 attached and fully supported by the tractor 3-point hitch. Depending upon the ground condition, more front tractor weight may be required.

LEAKING TRACTOR VALVE

Occasionally a tractor hydraulic control valve for the remote circuit leaks oil internally when the valve is in "neutral" or holding position. On any tractor hydraulic system, it is possible for oil under pressure to leak back if "neutral" position of the control valve is faulty. This type of leak will result in the bale dropping or the clamping arms opening up on the BH1500. Before placing the BH1500 in use, check out both hydraulic circuits to be used. One circuit **MUST** be found that will not leak oil internally for anchor end line of the 4 x 16 cylinder and one circuit **MUST** be found that will not leak oil internally for anchor end line of the 8 inch stroke cylinder.

Mark the connection made and use the following procedure to check each circuit.

1. Clamp a bale and lift it up until the clamping arms are horizontal. Place tractor valve in the "neutral" or holding position.
2. Observe the arms for 5 minutes. If there is no change in the vertical position of the bale, the anchor end line on the 4 x 16 cylinder does not have any internal leaks.
3. If the bale changes vertical position, anchor end line on the 4 x 16 cylinder leaks. Switch anchor end and rod end lines and repeat Steps 1 and 2.
4. If Step 3 indicates a leak, the 4 x 16 cylinder should be checked for a possible piston seal leak. This is done by removing the bale from between the clamping arms, contracting the 4 x 16 cylinder, removing quick connect from the anchor end hose and draining, and applying full pressure to the rod end hose. If the cylinder piston leaks, oil leaked will come out the vented anchor end port.

If two non-leaking tractor hydraulic circuits cannot be found a safety problem exists and either the tractor valve(s) should be repaired or manual shut off valve(s) should be installed in the leaking circuit(s). **NOTE: Connection MUST be marked when the unit is removed from the tractor.** It is also possible for oil to leak out under pressure on a closed center tractor hydraulic system. This type of leak would cause a cylinder to either retract or extend.



SAFE OPERATION

The BH1500 will transport, stack and unroll large round bales. A hitch is provided on rear of the frame for hooking on a wagon. For safe operation, the following rules **MUST** be observed.

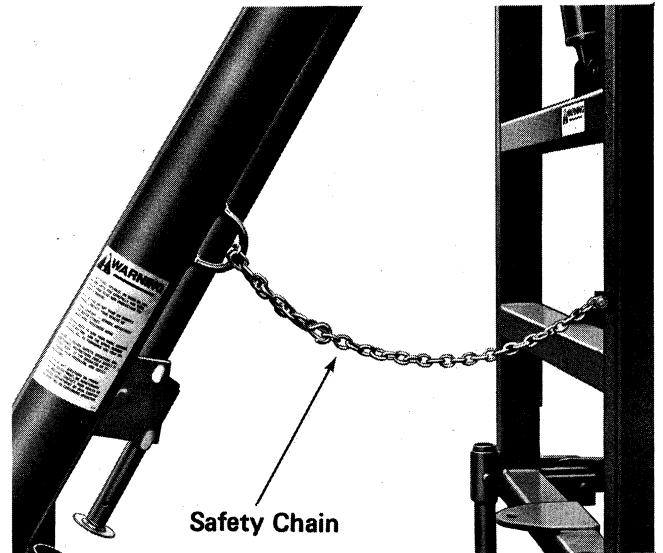
1. When mounting or disconnecting the BH1500, use procedure given in this manual.
2. When installing or removing the 8 inch stroke cylinder, use procedure given in this manual.
3. Make sure there is sufficient overhead clearance before lifting bales. Be especially careful of electrical wires.
4. Never leave the unit unattended when a bale is clamped.
5. Carry the bale as low as possible when transporting. **DO NOT** travel more than 2 miles per hour if the bale is more than 3 feet off the ground.
6. Bales are large, round and heavy. Possible injury or property damage could result if bales are not properly and carefully handled. Never release or store bales where they could roll down hill.

DISMOUNTING FROM THE TRACTOR

The following procedure **MUST** be used for safely dismounting the BH1500 from the tractor:

1. Select a level location.
2. Retract the 4 x 16 cylinder.

3. Actuate the 8 inch stroke cylinder until clamping arms are parallel.
4. Remove 8 inch stroke cylinder and install the auxiliary cylinder brace.
5. Loop safety chain thru the "U" hook on the right clamping arm. Pull chain tight and secure the "S" hook on the chain. This **MUST** be done to keep the unit from falling over if the hydraulic quick connects leak. **NOTE: DO NOT remove the 4 x 16 cylinder.**



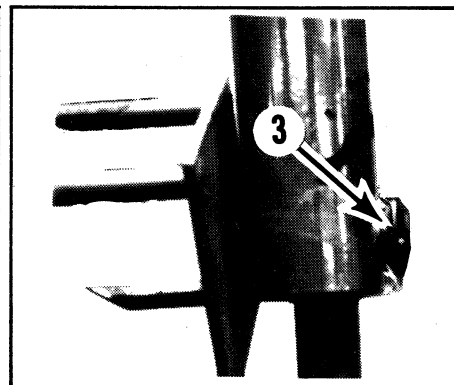
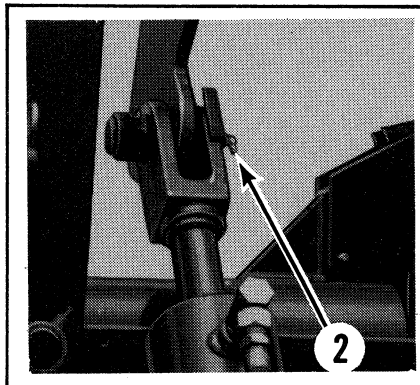
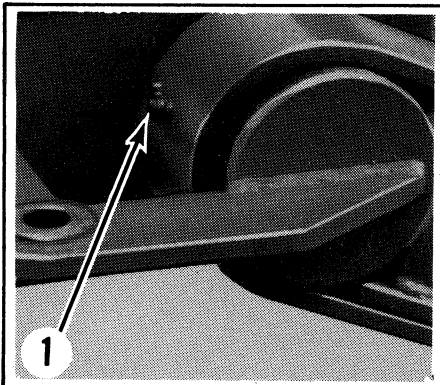
6. Identify and disconnect the hydraulic quick connect couplings for both cylinders.
7. Lower the four jack stands.
8. Lower draft arms until the two frame stands are firmly on the ground.
9. Extend the upper 3-point hitch link until the 2 arms stands are firmly on the ground.
10. Remove the upper hitch pin and the two lower hitch pins.

BH1500 - LUBRICATION

Before starting, see that the entire unit is properly lubricated. It is well to remember that a sufficient amount of oil and grease will prevent part wear and failure. All fittings are of standard style, commonly found on farm implements and automotive equipment. The Bale Handler has 6 fittings. Check below for their locations.

Grease all indicated points daily. Use a good grade of lithium base grease.

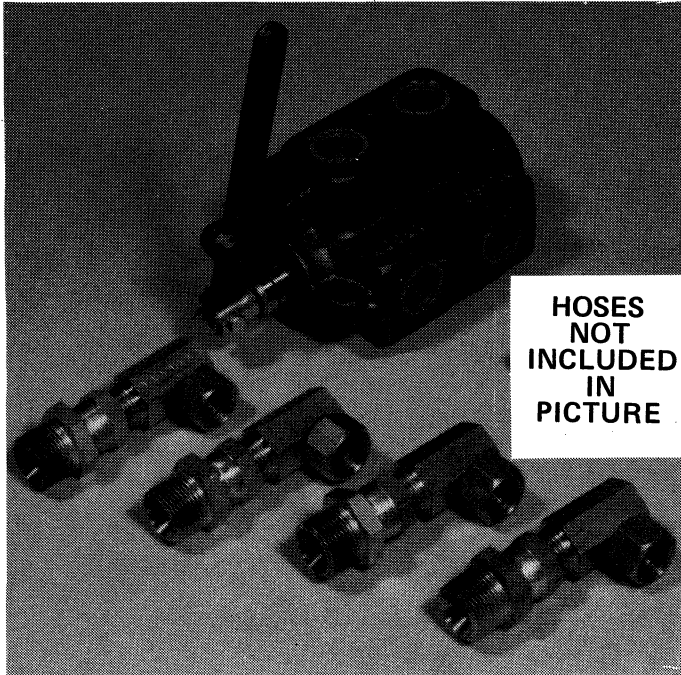
- 1 - Bearing Strap (Two Places)
- 2 - Cylinder Pin (Two Places)
- 3 - Rotating Clamp (Two Places)



DUAL HYDRAULIC KIT

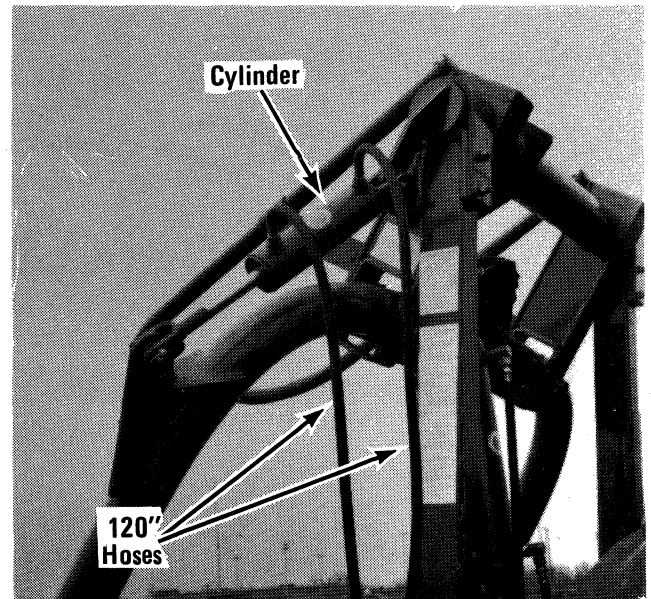
The Dual Hydraulic Kit contains a double selector valve, swivel fittings to end in 1/2 male tapered pipe threads and two hoses ending in 1/2 male tapered pipe threads.

The kit provides an additional double acting Hydraulic Circuit for tractors that have only one double acting circuit.



8 INCH STROKE CYLINDER KIT

This kit consists of one 3 inch bore, 8 inch stroke slim line agricultural cylinder and two 120 inch hoses. It provides a cylinder for the clamping arms.

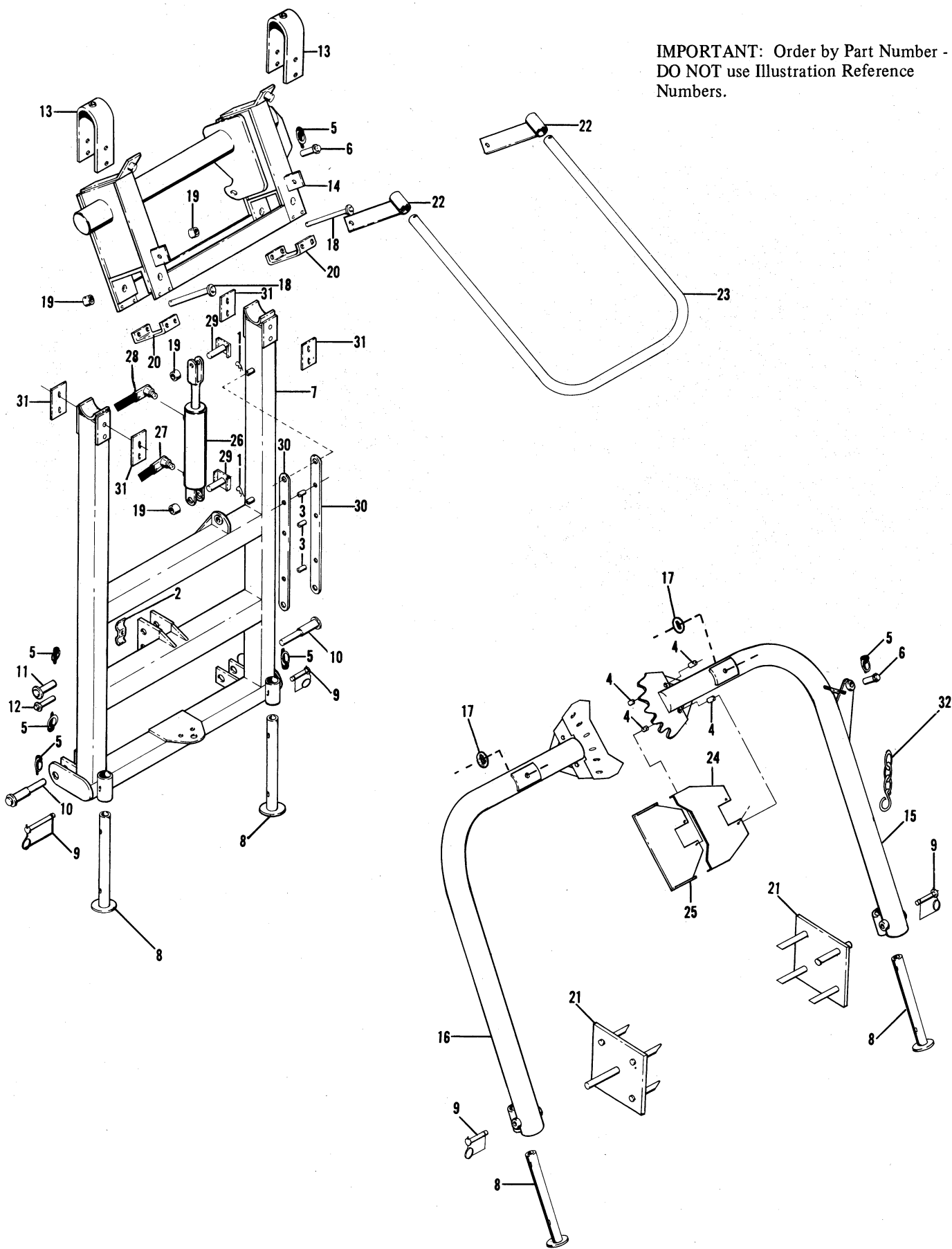


MANUAL SHUT-OFF VALVE KIT

The Manual Shut-Off Valve used for the RB1500 and RB1500A Balers can be used for the BH1500 to shut off hydraulic circuits that leak internally.

BH1500 - SERVICE PARTS

IMPORTANT: Order by Part Number -
DO NOT use Illustration Reference
Numbers.



ALWAYS GIVE MODEL AND SERIAL NUMBER WHEN ORDERING SERVICE PARTS

BH1500 - SERVICE PARTS

Ref. No.	Part No.	Part Name	No. Req.	Ref. No.	Part No.	Part Name	No. Req.
1	9H300	Cotter Pin	2	20	060711	Clevis End	2
2	H6094	Hose Clamp	2		650453	Hex.Hd.Cap Screw 1/2 x 1-1/2	8
	650494	Hex.Hd.Cap Screw 1/2 x 1	2		(8) 1/2 HN 653018 - (8) 1/2 LW 654030		
	(2) 1/2 LW 654030			21	060712	Fork Assembly	2
3	H6170A	Pipe Spacer	3		650554	Cotter Pin 1/4 x 2-1/4	2
4	040602	Spacer	4	22	060717	Guard Support Assembly	2
5	060471	Klik Pin	6	23	060720	Bale Guard	1
6	060629	Pin Assembly	2		650503	Hex.Hd.Cap Screw 1/2 x 2-1/2	2
7	060645	Frame Assembly	1		(2) 1/2 HLN 650806		
8	060665	Stand Assembly	4	24	060721	Cover Top	1
9	060668	Lock Pin	4	25	060722	Cover Bottom	1
10	060669	Pin Assembly - Lower	2		650733	Hex.Hd.Cap Screw 5/16 x 2-1/2	2
11	060671	Hitch Pin Assembly	1		(2) 5/16 HLN 650804		
12	060673	Hitch Pin Assembly	1	26	060723 ^A	Hydraulic Cylinder	1
13	060675	Bearing Strap Assembly	2	27	060725	Hose Assembly - 60"	1
	570005	Grease Fitting	2	28	060726	Hose Assembly - 78"	1
	650838	Hex.Hd.Mach. Bolt 1/2 x 7	4	29	060727	Pin Assembly	2
	(4) 1/2 HN 653018 - (4) 1/2 LW 654030				570005	Grease Fitting	2
14	060680	Rocker Shaft Assembly	1	30	060729	Cylinder Bar	2
	650495	Hex.Hd.Cap Screw 1/2 x 1-1/4	2		650585	Hex.Hd.Cap Screw 1/2 x 2	3
	(2) 1/2 HN 653018 - (2) 1/2 LW 654030				(3) 1/2 HLN 650806		
15	060697	Arm Assembly - Right	1	31	061001	Spacer	4
	570002	Grease Fitting	1	32	061076	Retainer Chain	1
16	060705	Arm Assembly - Left	1		650487	Hex.Hd.Cap Screw 5/16 x 1	1
	570002	Grease Fitting	1		(1) 5/16 HLN 650804 - (1) 5/16 PW 654004		
17	060707	Washer	2				
18	060708	Clevis Pin Assembly	2				
19	060710	Collar	4				
	650839	Hex.Hd.Cap Screw 1/4 x 2-1/4	4				
	(8) 1/4 HLN 650803						

^ATo Service Hydraulic Cylinder, Specify Seal Kit No. 060724.

ALWAYS GIVE MODEL AND SERIAL NUMBER WHEN ORDERING SERVICE PARTS

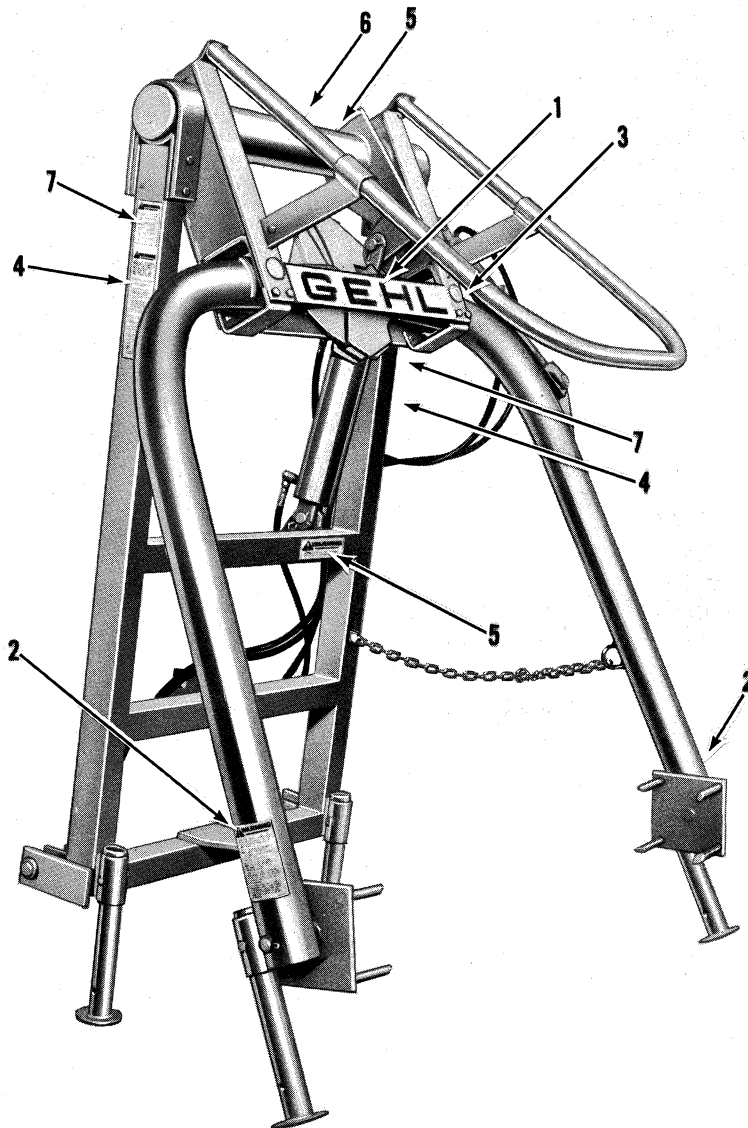
DECAL LOCATIONS

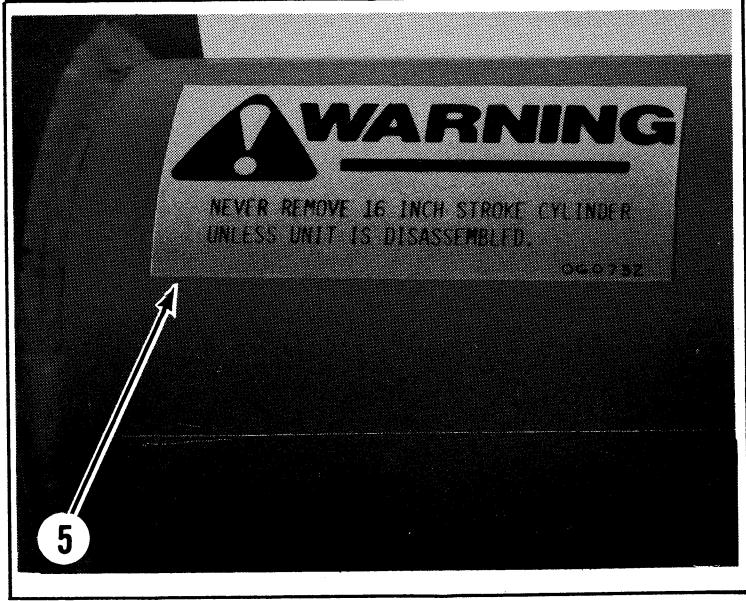
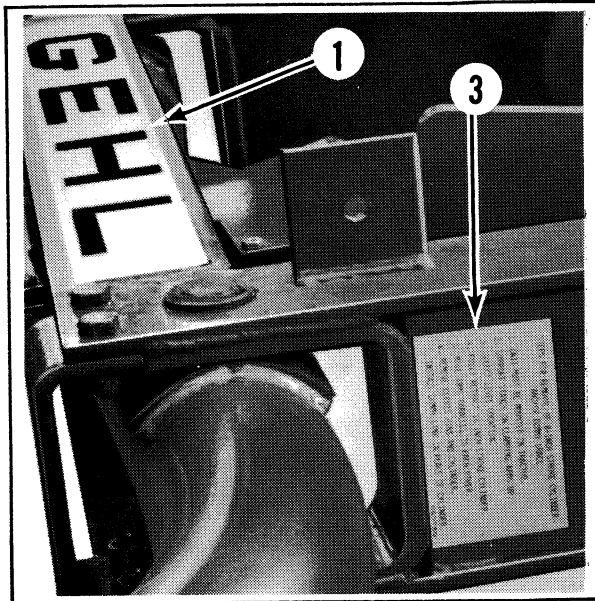
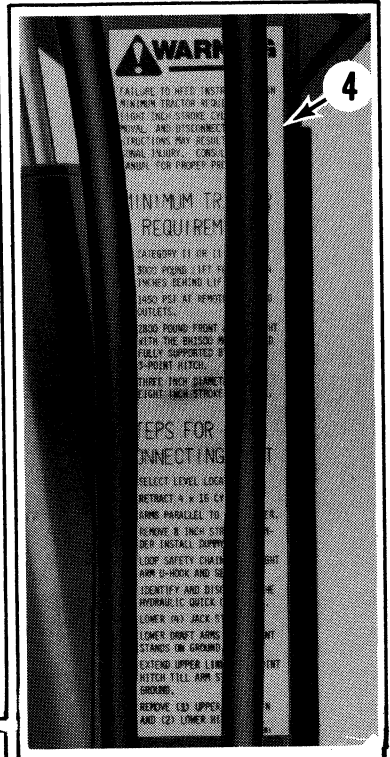
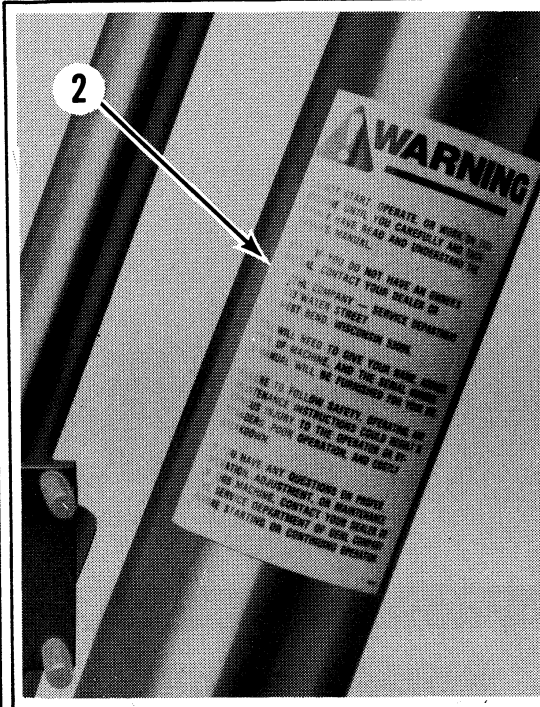
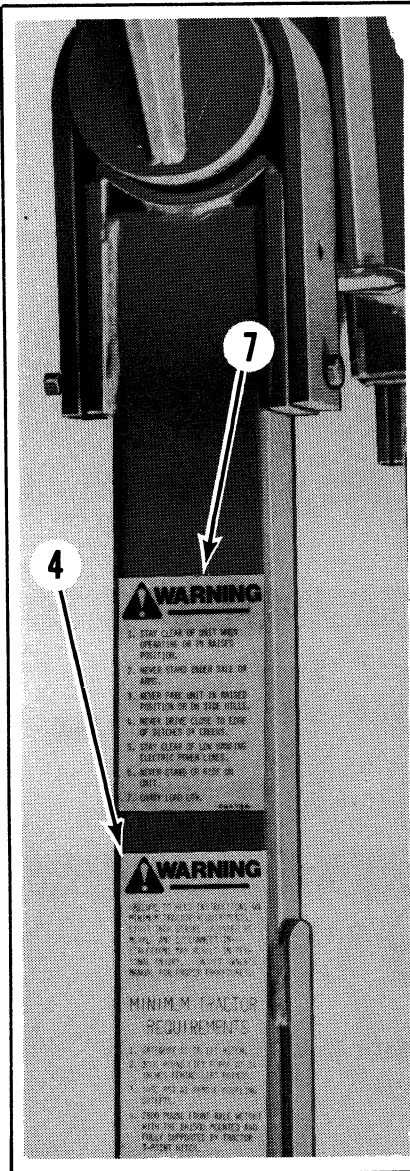
Decal locations are shown to assist in application of new decals in the event of damage to the decal or refinishing of the machine. Check below for their locations.

Surfaces must be free from dirt, dust, grease and other foreign material before applying decals. To apply decals, remove the smaller portion of the decal backing paper and apply this part of the exposed adhesive backing to the clean surface in respective position. Peel other portion of the backing paper off slowly and apply other part of decal.

The Decal Set Number for BH1500 is 060678. The set includes the following Decals.

- | | | |
|-----|--------|-------------------------------------|
| 1 - | 044503 | Gehl |
| 2 - | 060144 | Warning (Two Places) |
| 3 - | 060730 | Removal |
| 4 - | 060731 | Warning (Two Places) |
| 5 - | 060732 | Warning (16" Cylinder) (Two Places) |
| 6 - | 060733 | Load Low |
| 7 - | 060734 | Warning (Two Places) |





GEHL®

is for farming

GEHL COMPANY WEST BEND, WISCONSIN 53095 U.S.A.