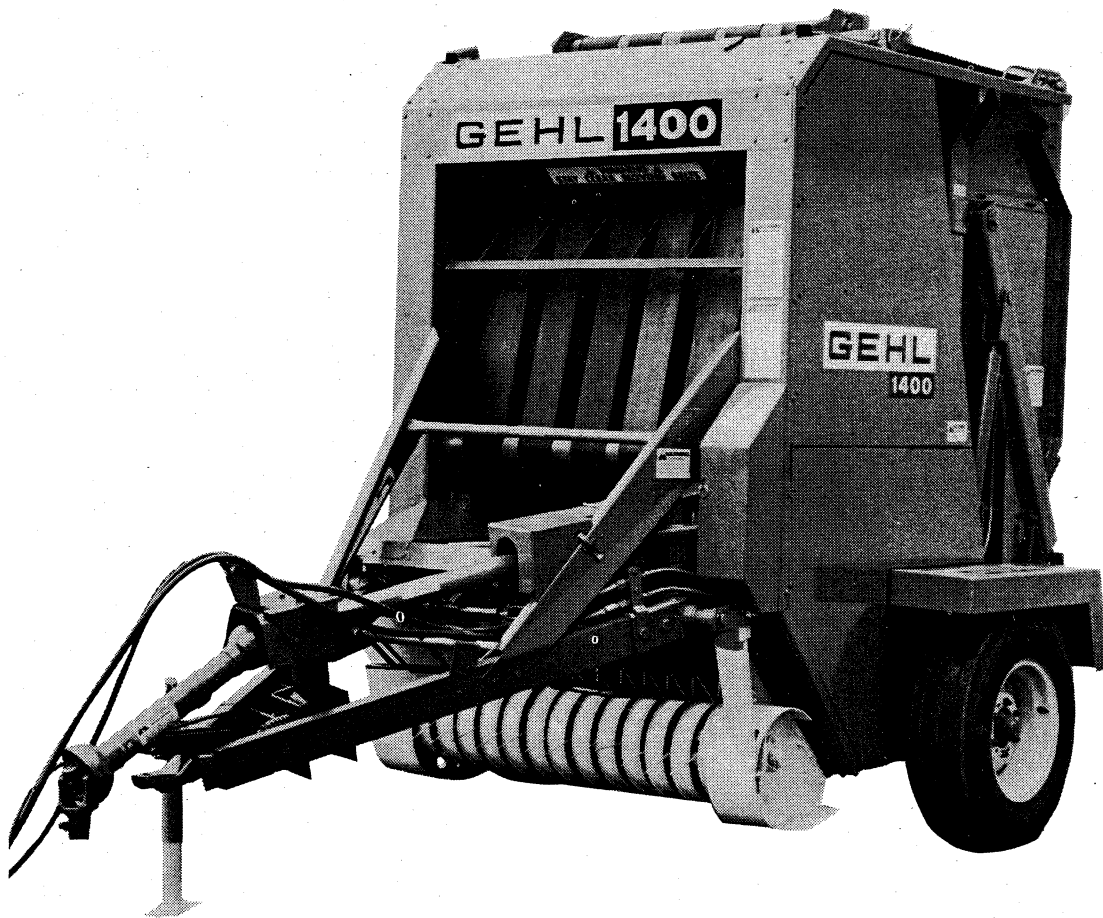


# RB1400

## Baler



# SERVICE PARTS MANUAL

Form No.  
902510  
Replaces  
902244

GEHL<sup>®</sup> COMPANY

**Attaching Hardware Table**

Size & Description	Part Number	Size & Description	Part Number
#1024HN	650550	1/2HN	650318
#10LW	650549	1/2HLN	650806
#1224HN	650627	1/2HJN	653044
#12LW	650813	1/2PW	654009
1/4HN	653005	1/2LW	654030
1/4HLN	650803	5/8HN	653021
1/4PW	654002	5/8HLN	650807
1/4LW	654022	5/8PW	654012
5/16HN	653007	5/8LW	654032
5/16HLN	650804	3/4HN	653026
5/16PW	654004	3/4HSN	650817
5/16LW	654024	3/4PW	654014
3/8HN	653010	3/4LW	654034
3/8HLN	650805	1HJN	650820
3/8PW	654006	1PW	654016
3/8LW	654026		

**Mr. Dealer:**

Give complete information when ordering service parts. Always give complete part number and also complete part description. The model number and serial number of the unit should always be given.

Numbers for this unit are on a decal located under the Top Channel, near the Center Column of the Left Frame Assembly.

“Right” and “Left” are determined from a position standing at rear of the unit facing the direction of travel. From this position, the Universal Drive and Transmission are on the left side.

**GEHL** Company reserves the right to make changes or improvements in the design or construction of any part of the unit without incurring the obligation to install such changes on any unit previously delivered.

 **IMPORTANT HARDWARE NOTICE**

Common hardware, such as nuts, cap screws, etc. are listed in the parts list but **NOT** illustrated. Hardware listed, is for mounting purposes and **NOT** included when the part is ordered for replacement.

All cap screws or bolts, called-out in the parts lists, are Grade 5, Cadmium or Zinc Plated unless otherwise noted. Hexagon nuts, for grade 5 cap screws or bolts, are Grade B. Hexagon nuts for other cap screws or bolts, are Grade A unless otherwise noted.

Attaching hardware (hexagon nuts, lock washers, etc.) are called-out with appropriate fasteners or parts. Refer to the “Attaching Hardware Table” (page 2) for appropriate part numbers.

The following abbreviations are used in this manual:

- CB - Carriage Bolt
- HHCS - Hexagon Head Cap Screw
- PTHMS - Phillips Truss Head Machine Screw
- SHSS - Socket Head Set Screw
- FHMS - Flat Head Machine Screw
- RHMS - Round Head Machine Screw
- HWHSTS - Hexagon Washer Head Self Threading Screw
- HWHTCS - Hexagon Washer Head Thread Cutting Screw
- HJN - Hexagon Jam Nut
- HLN - Hexagon Lock Nut
- HN - Hexagon Nut
- PW - Plain Washer
- LW - Lock Washer
- NF - National Fine (Thread)
- SL - Self Locking (Thread)
- T - Tooth

**TABLE OF CONTENTS**

<b>Page</b>	<b>Page</b>
Introduction .....	3
Decal Locations .....	4-5
Main Frame (Used before Serial #1753).....	6-7
Main Frame (Used after Serial #1752) .....	8-9
Upper Belt Tension & Bale Size Mechanism .....	10
Twinebox & Twine Wrapping Mechanism.....	11
Implement Driveline Drawbar & Hitchjack .....	12-15
Pickup & Pickup Drive .....	16-17
Pickup Lift & Overfill Clutch.....	18
Transmission .....	19
Roller Drive (Used before Serial #1753).....	20-21
Roller Drive (Used after Serial #1752) .....	22-23
Hitch Jacks .....	24
Rear Gate with Hydraulics (Used before Serial #1753) .....	26-27
Rear Gate with Hydraulics (Used after Serial #1752).....	28-29
Upper Belts & Rollers, Shuttle & Bale Starter ..	30-31
Platform Belt & Rollers (Used before Serial #1753) .....	32-33
Platform Belt & Rollers (Used after Serial #1752).....	34-35
Universal Drives .....	36-37
Options.....	38-41
Electric Twine Wrapping Kit 801143 .....	38
Manual Twine Wrapping Kit 801797 .....	39
1000 RPM Conversion Kit 801552 .....	39
Light Crop Hold-down Kit 066779 .....	40
Hydraulic Twine Wrapping Kit 801611 .....	40
Dual Hydraulics Kit 801087 .....	40
Wheel Set 850180 .....	41
Wheel & Tire Set 801535 .....	41
Bale Counter Kit 801782 .....	41
Accessories.....	42-44
Platform Belt Dutchman Kit 067152.....	42
72" Platform Belt Lacing Pin Kit 901751 .....	42
5" Upper Belt Dutchman Kit 066782 .....	43
6" Upper Belt Dutchman Kit 059802 .....	43
Slow-down Sprocket Kit 066780 .....	43
Relacing Kit 801086 .....	44
Lacing Kit 901733 .....	44
Roller Friction Surface Kit 901716 .....	44
Packing Roller Lagging Kit 068633.....	44
Numerical Index .....	45-47

## RB1400 - DECAL LOCATIONS

# DECAL LOCATIONS

Decal Locations are shown to assist in application of new decals in the event of damage to the Decal or refinishing of the machine. Check listing for information and the illustrations for their location.

Surfaces **MUST** be free from dirt, dust, grease and other foreign material before applying the new Decal. To apply, remove the smaller portion of the decal backing paper and apply this part of the exposed adhesive backing to the clean surface while maintaining proper position and alignment. Peel the other portion of the backing paper off slowly while applying hand pressure to smooth out Decal surface.

 **NOTE:** Discard Decals NOT required for this machine.

 **NOTE:** Always order Decals by set number. DO NOT order Decals separately.

### NOTICE

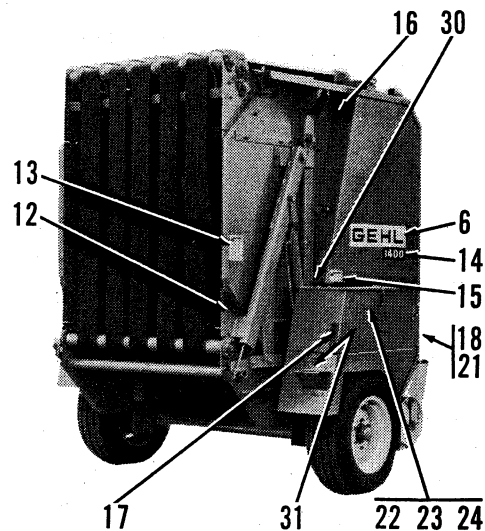
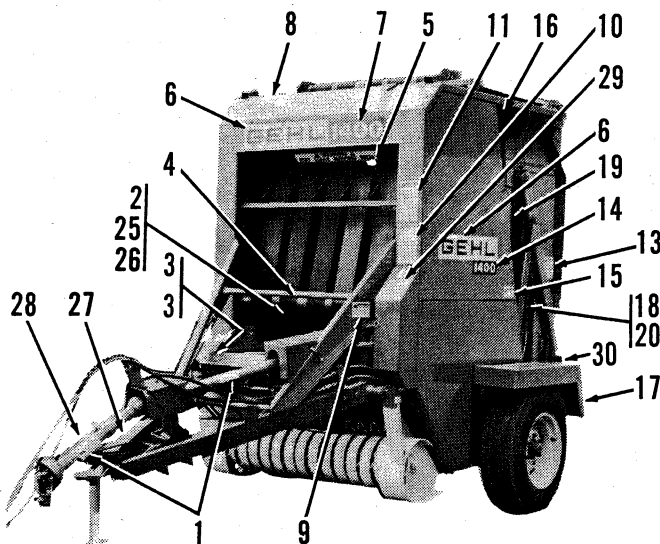
Order paint for refinishing machines from this list:

901225	One Gallon Blaze Paint
901226	One Gallon Maize Paint
610239	6 (12 oz.) Cans Blaze Spray Paint
610240	6 (12 oz.) Cans Maize Spray Paint

- 4 - 060150 Decal - NO STEP
- 5 - 059825 WARNING - Moving Belts
- 6 - 061203 GEHL (Three Places)
- 7 - 067133 1400
- 8 - 067130 Decal - Bale Size Indicator
- 9 - 065985 WARNING - Disconnect PTO
- 10 - 060140 WARNING - General
- 11 - 060144 WARNING - Read Operator's Manual
- 12 - 061832 Decal - Belt Tracking
- 13 - 060145 WARNING - Gate (Two Places)
- 14 - 067134 1400 (Two Places)
- 15 - 060146 WARNING - Keep Door Closed & NEVER Ride Machine (Two Places)
- 16 - 060151 Decal - Belt Tension (Two Places)
- 17 - 067493 Red Reflector Strip (Two Places)
- 18 - 060142 WARNING - Spring Coils (Two Places)
- 19 - 065982 Decal - Check Roller Chain Idlers
- 20 - 067135 Decal - Idler Adjustment
- 21 - 065983 Decal - Pickup Adjustment
- 22 - 060148 Decal - General Operation
- 23 - 060147 Decal - Operating Instructions
- 24 - 060139 Decal - Spare Twine
- 25 - 067132 Decal - Shear Bolts
- 26 - 060138 Decal - Oil Level
- 27 - 060510 Decal - Jack Storage Position
- 28 - 060511 Decal - Jack Lifting Position
- 29 - 067385 WARNING - PTO
- 30 - 055100 Non-skid Surface Strip (Two Places)
- 31 - 060514 Non-skid Surface Strip

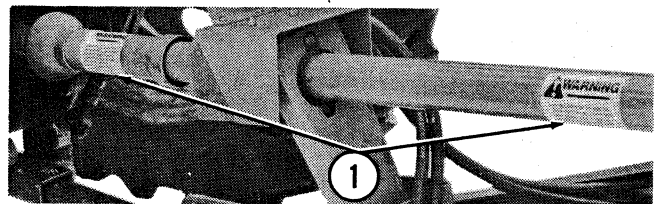


**WARNING:** Always Observe Safety Rules Shown on Decals. If Decals become damaged, or if unit is repainted, replace Decals.

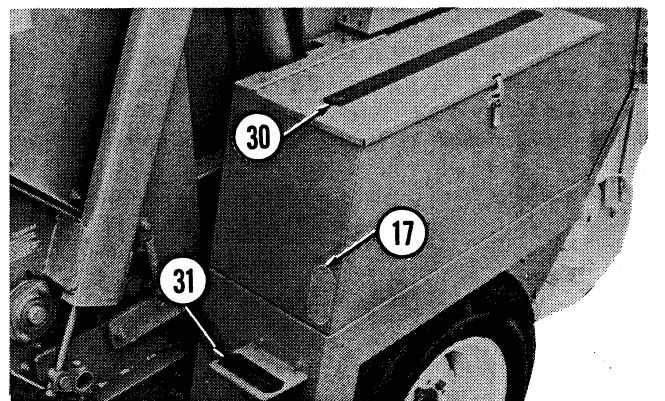
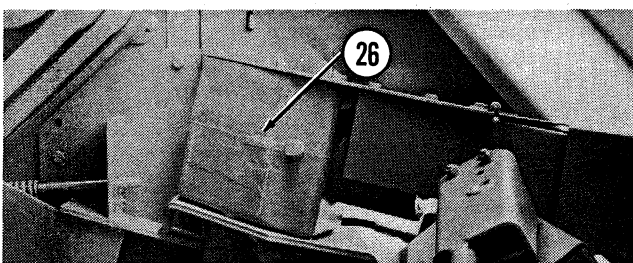
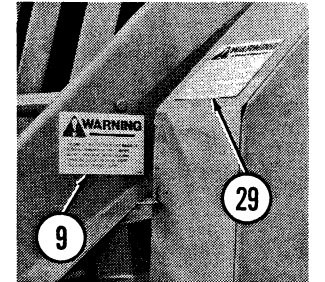
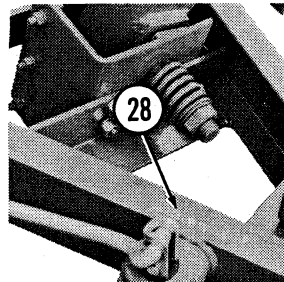
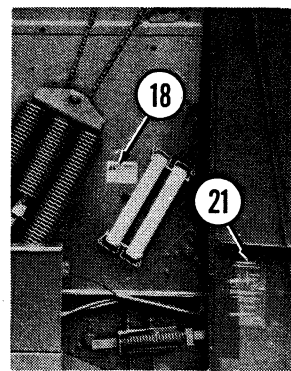
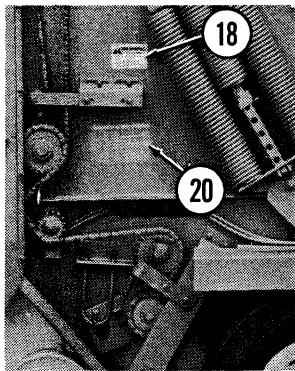
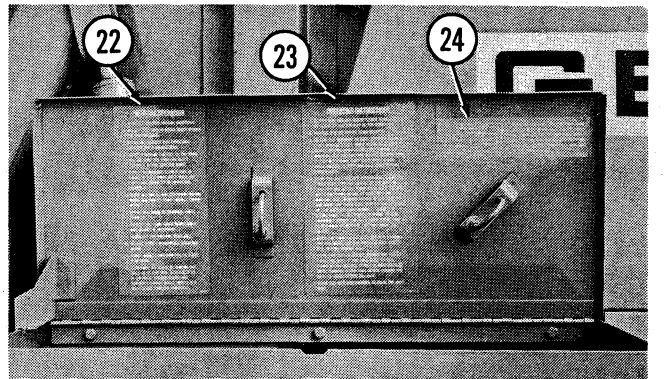
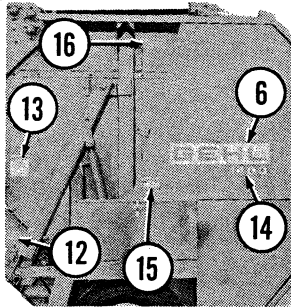
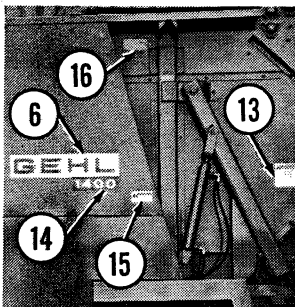
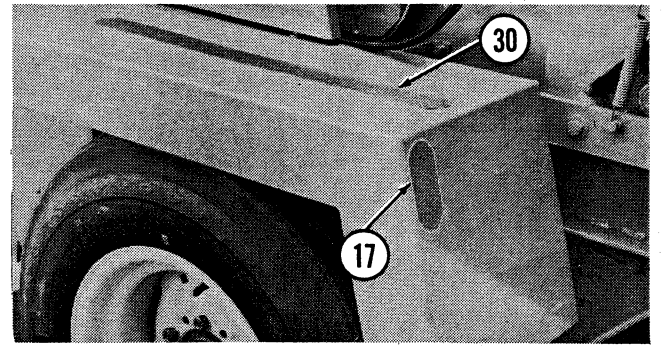
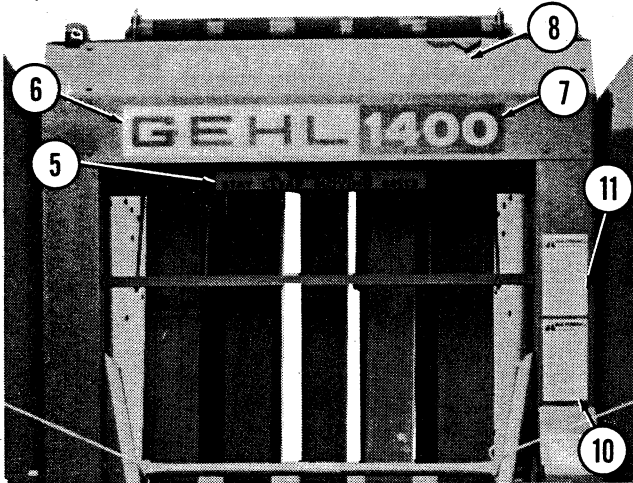
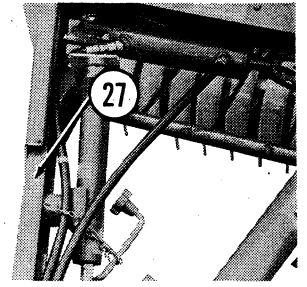
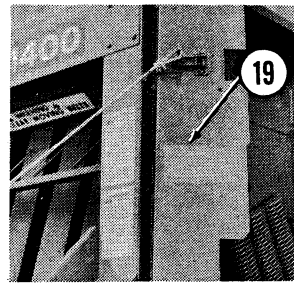
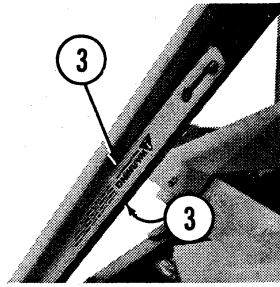
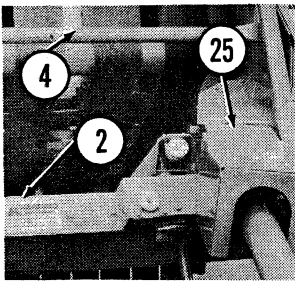


The Decal Set Number for the RB1400 is 060483. The set includes the following Decals:

- 1 - 060143 WARNING - PTO (Two Places)
- 2 - 060141 WARNING - Twine Mechanism
- 3 - 065984 WARNING - Disconnect PTO (Two Places - Both Sides of Wrench)

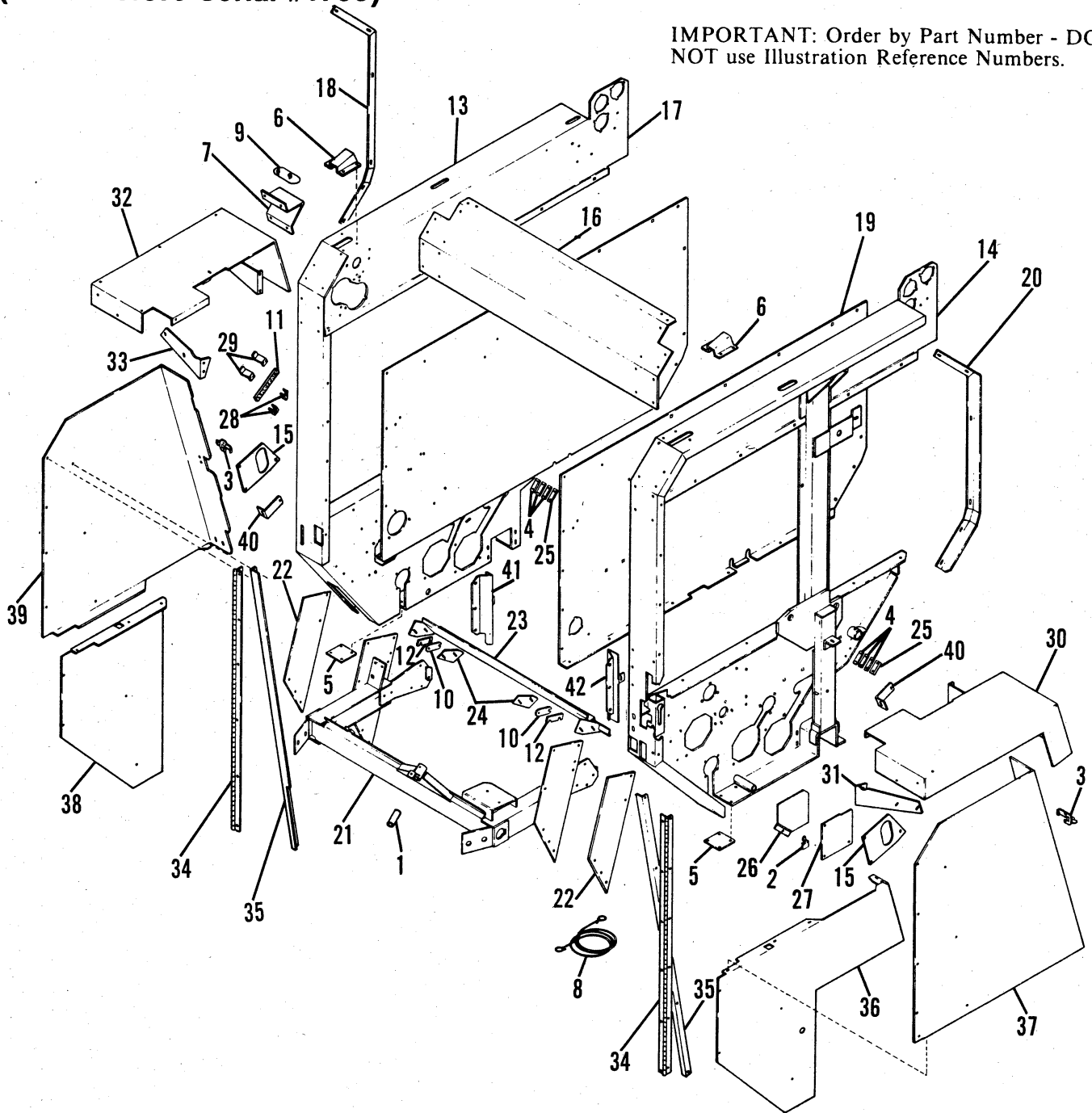


# RB1400 - DECAL LOCATIONS



**RB1400 - MAIN FRAME**  
**(Used Before Serial #1753)**

**IMPORTANT: Order by Part Number - DO NOT use Illustration Reference Numbers.**



Ref. No.	Part No.	Part Name	No. Req.	Ref. No.	Part No.	Part Name	No. Req.
1	C14061A	Bronze Bushing .....	1	6	058326	Chain Guard.....	2
2	040860	Ludwig Clip .....	2		650490	HHCS 3/8 x 1 .....	2
	650548	RHMS #1024 x 1/2.....	2		650491	HHCS 3/8 x 1-1/4 .....	4
		(2) #1024 HN - (2) LW				(6) 3/8 HN - (6) LW - (2) PW	
3	044116	Latch .....	2	7	059694	Fender Step - Right.....	1
	650627	RHMS #1224 x 1/2.....	4		650490	HHCS 3/8 x 1 .....	4
		(4) #1224 HN - (4) LW				(4) 3/8 HN - (4) LW - (2) PW	
4	052588	Balance Weights (Shims) .....	6	8	060387	Door Cord .....	2
5	057945	Reinforcement .....	2	9	060514A	Step Non-skid Strip.....	1
	650490	HHCS 3/8 x 1 .....	8	10	061833	Spacer .....	4
		(8) 3/8 HN - (8) LW		11	062871	Foam Pad .....	1

**ALWAYS GIVE MODEL AND SERIAL NUMBER WHEN ORDERING SERVICE PARTS**

## RB1400 - MAIN FRAME (Used Before Serial #1753)

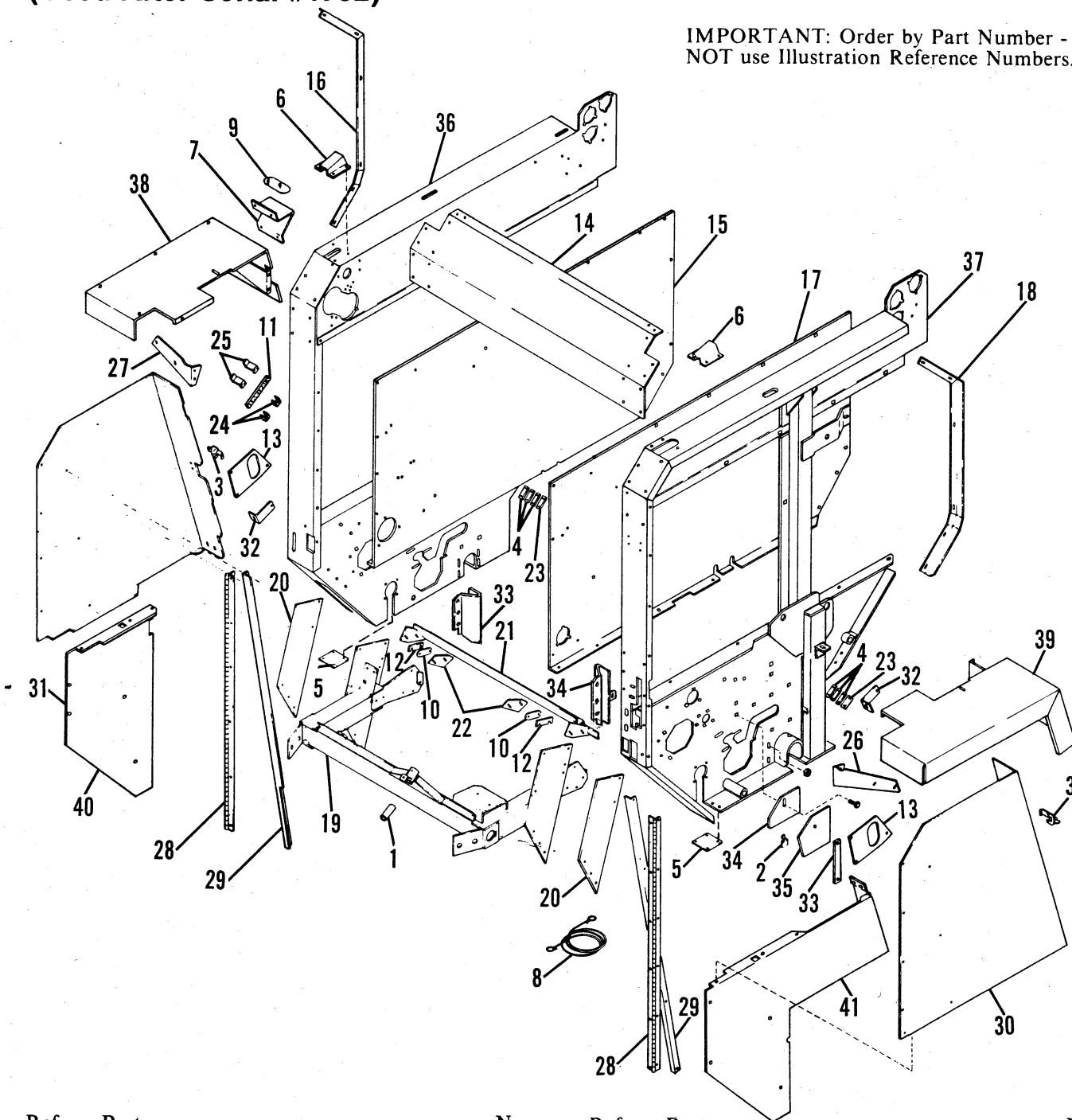
Ref. No.	Part No.	Part Name	No. Req.	Ref. No.	Part No.	Part Name	No. Req.
12	065862	Shim.....	2	31	066456	Fender Front Brace - Left .....	1
13	066116	Frame - Right.....	1		650488	HHCS 3/8 x 3/4 .....	2
14	066127	Frame - Left.....	1		650704	CB 3/8 x 1 .....	2
15	066203	Access Hole Cover.....	2		(4) 3/8 HN - (4) LW - (2) PW		
	650790	CB 3/8 x 3/4 .....	6	32	066457	Fender - Right .....	1
	(6) 3/8 HN - (6) LW				650790	CB 3/8 x 3/4 .....	3
16	066227	Panel .....	1		(3) 3/8 HN - (3) LW		
	650490	HHCS 3/8 x 1 .....	16	33	066462	Fender Front Brace - Right .....	1
	(16) 3/8 HN - (16) LW				650488	HHCS 3/8 x 3/4 .....	2
17	066228	Center Sheet - Right .....	1		650704	CB 3/8 x 1 .....	2
	650490	HHCS 3/8 x 1 .....	9		(4) 3/8 HN - (4) LW - (4) PW		
	650491	HHCS 3/8 x 1-1/4 .....	2	34	066467	Hinge .....	2
	650704	CB 3/8 x 1 .....	11		650486	HHCS 5/16 x 3/4 .....	12
	(22) 3/8 HN - (22) LW - (6) PW				(12) 5/16 HN - (12) LW - (12) PW		
18	066229	Reinforcement Angle - Right.....	1	35	066468	Angle Reinforcement.....	2
	650491	HHCS 3/8 x 1-1/4 .....	1		650488	HHCS 1/4 x 3/4 .....	6
	(1) 3/8 HN - (1) LW - (1) PW				(6) 1/4 HN - (6) LW		
19	066230	Center Sheet - Left .....	1	36	066469	Lower Guard Door - Left .....	1
	650490	HHCS 3/8 x 1 .....	7		650261	PTHMS 1/4 x 1/2 .....	2
	650491	HHCS 3/8 x 1-1/4 .....	2		650486	HHCS 1/4 x 3/4 .....	2
	650704	CB 3/8 x 1 .....	11		(4) 1/4 HN - (4) LW - (2) PW		
	(20) 3/8 HN - (20) LW - (6) PW				650486	HHCS 5/16 x 3/4 .....	5
20	066231	Reinforcement Angle - Left .....	1		(5) 5/16 HN - (5) LW - (3) PW		
	650491	HHCS 3/8 x 1-1/4 .....	1	37	066470	Left Guard .....	1
	(1) 3/8 HN - (1) LW - (1) PW				650486	HHCS 5/16 x 3/4 .....	4
21	066232	Front Frame .....	1		(4) 5/16 HN - (4) LW		
	(Includes One C14061A Bushing)			38	066471	Lower Guard Door - Right .....	1
	570019	Grease Fitting.....	1		650448	HHCS 1/4 x 3/4 .....	2
	650884	PTHMS 3/8 x 1-1/4.....	2		(2) 1/4 HN - (2) LW		
	(2) 3/8 HN				650301	PTHMS 5/16 x 1/2 .....	1
	650649	HHCS 3/4 x 2 .....	3		650486	HHCS 5/16 x 3/4 .....	4
	(5) 3/4 HN - (3) LW				(4) 5/16 HN - (4) LW - (1) HLN		
22	066244	Filler Plate .....	2	39	066472	Right Guard .....	1
23	066286	Scraper .....	1		650486	HHCS 5/16 x 3/4 .....	4
	650860	CB 3/8 x 1-3/4.....	4		(4) 5/16 HN - (4) LW		
	(4) 3/8 HN - (4) LW			40	066473	Door Latch Bracket .....	2
24	066289	Belt Guide.....	2		650704	CB 3/8 x 1 .....	2
25	066375	Gate Stop .....	2		(2) 3/8 HN - (2) LW		
	650185	FHMS 5/16 x 1 .....	4	41	066758	Deflector - Right .....	1
	(4) 5/16 HN - (4) LW				650486	HHCS 5/16 x 3/4 .....	3
26	066420	Hinged Cover .....	2		(3) 5/16 HN - (3) LW		
	650448	HHCS 1/4 x 3/4 .....	2		650490	HHCS 3/8 x 1 .....	1
	(2) 1/4 HLN				(1) 3/8 HN - (1) LW - (1) PW		
27	066423	Cover Plate .....	2	42	066761	Deflector - Left .....	1
	650490	HHCS 3/8 x 1 .....	6		650486	HHCS 5/16 x 3/4 .....	3
	(6) 3/8 HN - (6) LW				(3) 5/16 HN - (3) LW		
28	066447	Cylinder Lock Anchor .....	2		650490	HHCS 3/8 x 1 .....	1
	650687	CB 5/16 x 3/4 .....	2		(1) 3/8 HN - (1) LW - (1) PW		
	(2) 5/16 HN - (2) LW						
29	066448	Cylinder Lock Hook .....	2				
	650486	HHCS 5/16 x 3/4 .....	4				
	(4) 5/16 HN - (4) LW						
30	066453	Fender - Left .....	1				
	650790	CB 3/8 x 3/4 .....	3				
	(3) 3/8 HN - (3) LW						

A For Replacement, Order Decal Set 060483.

ALWAYS GIVE MODEL AND SERIAL NUMBER WHEN ORDERING SERVICE PARTS

# RB1400 - MAIN FRAME (Used After Serial #1752)

IMPORTANT: Order by Part Number - DO NOT use Illustration Reference Numbers.



Ref. No.	Part No.	Part Name	No. Req.	Ref. No.	Part No.	Part Name	No. Req.
1	C14061A	Bronze Bushing	1	6	058326	Chain Guard	2
2	040860	Ludwig Clip	2		650490	HHCS 3/8 x 1	2
	650548	RHMS #1024 x 1/2	2		650491	HHCS 3/8 x 1-1/4	4
		(2) #1024 HN - (2) LW				(6) 3/8 HN - (6) LW - (2) PW	
3	044116	Latch	2	7	059694	Fender Step - Right	1
	650627	RHMS #1224 x 1/2	4		650490	HHCS 3/8 x 1	4
		(4) #1224 HN - (4) LW				(4) 3/8 HN - (4) LW - (2) PW	
4	052588	Balance Weights (Shims)	6	8	060387	Door Cord	2
5	057945	Reinforcement	2	9	060514A	Step Non-Skid Strip	1
	650490	HHCS 3/8 x 1	8	10	061833	Spacer	4
		(8) 3/8 HN - (8) LW					

ALWAYS GIVE MODEL AND SERIAL NUMBER WHEN ORDERING SERVICE PARTS



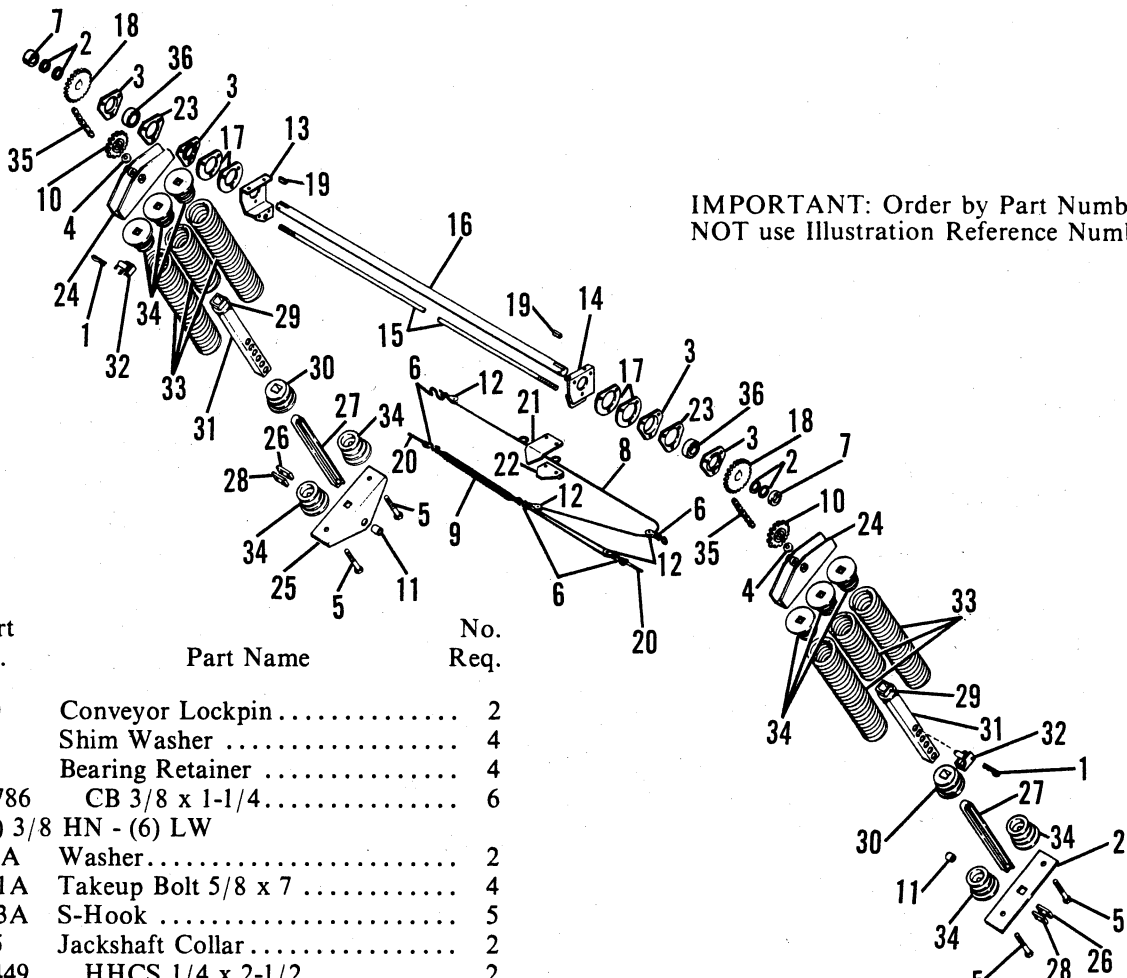
**RB1400 - MAIN FRAME  
(Used After Serial #1752)**

Ref. No.	Part No.	Part Name	No. Req.	Ref. No.	Part No.	Part Name	No. Req.
11	062871	Foam Pad .....	1	29	066468	Angle Reinforcement.....	2
12	065862	Shim.....	2		650488	HHCS 1/4 x 3/4 .....	6
13	066203	Access Hole Cover.....	2		(6) 1/4 HN - (6) LW		
	650790	CB 3/8 x 3/4 .....	6	30	066470	Left Guard .....	1
	(6) 3/8 HN - (6) LW				650486	HHCS 5/16 x 3/4 .....	4
14	066227	Panel .....	1		(4) 5/16 HN - (4) LW		
	650490	HHCS 3/8 x 1 .....	16	31	066472	Right Guard .....	1
	(16) 3/8 HN - (16) LW				650486	HHCS 5/16 x 3/4 .....	4
15	066228	Center Sheet - Right .....	1		(4) 5/16 HN - (4) LW		
	650490	HHCS 3/8 x 1 .....	9	32	066473	Door Latch Bracket .....	2
	650491	HHCS 3/8 x 1-1/4 .....	2		650704	CB 3/8 x 1 .....	2
	650704	CB 3/8 x 1 .....	11		(2) 3/8 HN - (2) LW		
	(22) 3/8 HN - (22) LW - (6) PW			33	066758	Deflector - Right .....	1
16	066229	Reinforcement Angle - Right.....	1		650486	HHCS 5/16 x 3/4 .....	3
	650491	HHCS 3/8 x 1-1/4 .....	1		(3) 5/16 HN - (3) LW		
	(1) 3/8 HN - (1) LW - (1) PW				650490	HHCS 3/8 x 1 .....	1
17	066230	Center Sheet - Left .....	1		(1) 3/8 HN - (1) LW - (1) PW		
	650490	HHCS 3/8 x 1 .....	7	34	066761	Deflector - Left .....	1
	650491	HHCS 3/8 x 1-1/4 .....	2		650486	HHCS 5/16 x 3/4 .....	3
	650704	CB 3/8 x 1 .....	11		(3) 5/16 HN - (3) LW		
	(20) 3/8 HN - (20) LW - (6) PW				650490	HHCS 3/8 x 1 .....	1
18	066231	Reinforcement Angle - Left .....	1		(1) 3/8 HN - (1) LW - (1) PW		
	650491	HHCS 3/8 x 1-1/4 .....	1	35	069795	Strap .....	2
	(1) 3/8 HN - (1) LW - (1) PW				650448	HHCS 1/4 x 3/4 .....	4
19	066232	Front Frame.....	1		(4) 1/4 HLN - (4) PW		
	(Includes One C14061A Bushing)			36	069796	Cover .....	2
	570019	Grease Fitting.....	1		650618	HWHSTS 5/16 x 5/8 .....	2
	650884	PTHMS 3/8 x 1-1/4.....	2		(2) 5/16 PW		
	(2) 3/8 HN			37	069800	Cover .....	2
	650649	HHCS 3/4 x 2 .....	3	38	069807	Frame - Right.....	1
	(5) 3/4 HN - (5) LW				650491	HHCS 3/8 x 1-1/4 .....	4
20	066244	Filler Plate .....	2		(4) 3/8 HN - (4) LW - (1) PW		
21	066286	Scraper .....	1	39	069816	Frame - Left .....	1
	650860	CB 3/8 x 1-3/4.....	4		650491	HHCS 3/8 x 1-1/4 .....	4
	(4) 3/8 HN - (4) LW				(4) 3/8 HN - (4) LW - (2) PW		
22	066289	Belt Guide.....	2	40	069826	Fender - Right .....	1
23	066375	Gate Stop .....	2		650790	CB 3/8 x 3/4 .....	3
	650185	FHMS 5/16 x 1 .....	4		(3) 3/8 HN - (3) LW		
	(4) 5/16 HN - (4) LW			41	069830	Fender - Left .....	1
24	066447	Cylinder Lock Anchor .....	2		650790	CB 3/8 x 3/4 .....	3
	650687	CB 5/16 x 3/4 .....	2		(3) 3/8 HN - (3) LW		
	(2) 5/16 HN - (2) LW			42	069842	Lower Guard Door - Right .....	1
25	066448	Cylinder Lock Hook .....	2		650448	HHCS 1/4 x 3/4 .....	2
	650486	HHCS 5/16 x 3/4 .....	4		(2) 1/4 HN - (2) LW		
	(4) 5/16 HN - (4) LW				650301	PTHMS 5/16 x 1/2 .....	1
26	066456	Fender Front Brace - Left .....	1		650486	HHCS 5/16 x 3/4 .....	4
	650488	HHCS 3/8 x 3/4 .....	2		(4) 5/16 HN - (4) LW - (1) HLN		
	650704	CB 3/8 x 1 .....	2	43	069843	Lower Guard Door - Left .....	1
	(4) 3/8 HN - (4) LW - (2) PW				650261	PTHMS 1/4 x 1/2 .....	2
27	066462	Fender Front Brace - Right .....	1		650448	HHCS 1/4 x 3/4 .....	2
	650488	HHCS 3/8 x 3/4 .....	2		(4) 1/4 HN - (4) LW - (2) PW		
	650704	CB 3/8 x 1 .....	2		650486	HHCS 5/16 x 3/4 .....	5
	(4) 3/8 HN - (4) LW - (4) PW				(5) 5/16 HN - (5) LW - (3) PW		
28	066467	Hinge .....	2				
	650486	HHCS 5/16 x 3/4 .....	12				
	(12) 5/16 HN - (12) LW - (12) PW						

A For Replacement, order Decal Set 060483.

ALWAYS GIVE MODEL AND SERIAL NUMBER WHEN ORDERING SERVICE PARTS

# RB1400 - UPPER BELT TENSION and BALE SIZE MECHANISM



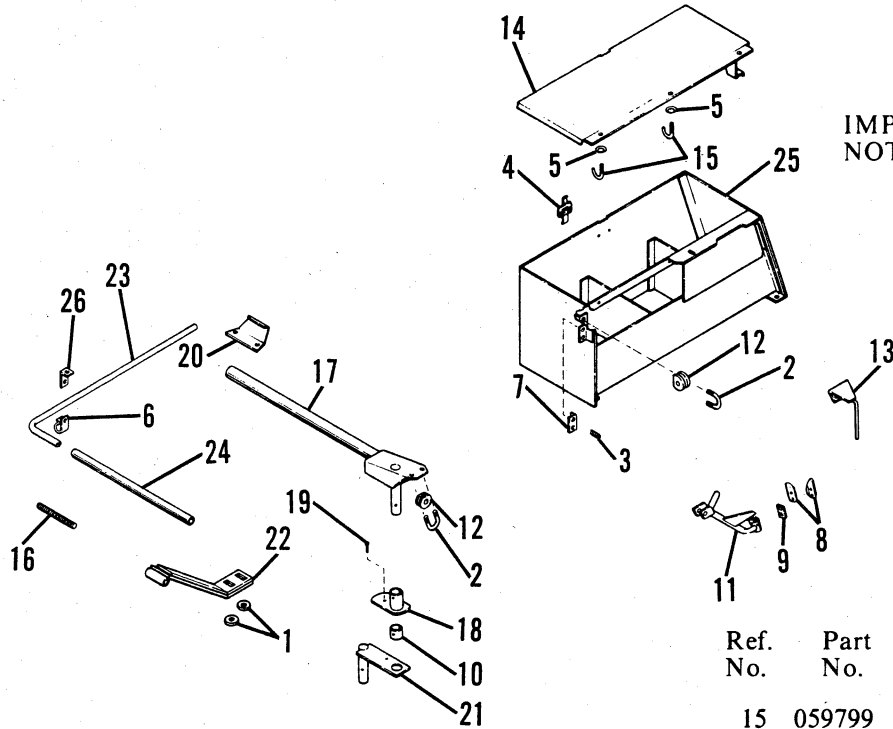
IMPORTANT: Order by Part Number - DO NOT use Illustration Reference Numbers.

Ref. No.	Part No.	Part Name	No. Req.
1	9H300	Conveyor Lockpin	2
2	H7165	Shim Washer	4
3	H8334	Bearing Retainer	4
	650786	CB 3/8 x 1-1/4	6
		(6) 3/8 HN - (6) LW	
4	H8353A	Washer	2
5	B11201A	Takeup Bolt 5/8 x 7	4
6	B11433A	S-Hook	5
7	041155	Jackshaft Collar	2
	650449	HHCS 1/4 x 2-1/2	2
		(2) 1/4 HLN	
8	052595	Indicator Cord 3/16 x 138	1
9	056336	Extension Spring	1
10	057370	Idler Sprocket (17T)	2
	650631	HHCS 5/8 x 4	2
		(2) 5/8 HN - (2) LW	
11	057705	Upper Link Tube	2
	650647	HHCS 5/8 x 2	2
		(4) 5/8 HLN - (4) LW - (8) PW	
12	058538	Pulley	4
	650487	HHCS 5/16 x 1	2
		(2) 5/16 HLN - (3) PW	
13	066153	Torsion Bar Support - Right	1
	650490	HHCS 3/8 x 1	2
		(2) 3/8 HN - (2) LW	
14	066154	Torsion Bar Support - Left	1
	650490	HHCS 3/8 x 1	2
		(2) 3/8 HN - (2) LW	
15	066155	Rewrap Rod	1
		(4) 5/8 HN	
16	066156	Stabilizer Shaft	1
17	066157	Bearing Spacer	4
18	066158	Sprocket (24T)	2
19	066160	Square Key 5/16 x 1-1/4	2
20	066172	Eyebolt	2
		(4) 5/16 HN - (2) PW	
21	066173	Bale Size Indicator	1
	650490	HHCS 3/8 x 1	2
		(2) 3/8 HN - (2) LW - (4) PW	

Ref. No.	Part No.	Part Name	No. Req.
22	066174	Indicator Base	1
23	066181	Bearing Spacer	2
24	066310	Upper Spring Base	2
25	066312	Spring Base	2
26	066314	Tab	2
	650535	HHCS 3/8 x 2-1/4	4
		(4) 3/8 HN - (4) LW	
27	066315	Stop Strip	2
28	066316	Spacer	2
29	066317	Extension Spring	2
30	066318	Spring Plug	2
	650694	HHCS 5/8 x 2-1/2	6
		(6) 5/8 LW - (4) PW	
31	066319	Extension	2
32	066322	Lockpin	2
33	066325	Extension Spring	4
34	066326	Spring Plug	10
	650694	HHCS 5/8 x 2-1/2	6
		(6) 5/8 LW - (4) PW	
35	066389	Belt Tightener Chain of 107 Links Including Two #2050 Connector Links (Each End)	2
		(Used after Serial #1250)	
	066328	Belt Tightener Chain of 107 Links	2
		(Used before Serial #1251)	
36	520065	Ball Bearing	2

ALWAYS GIVE MODEL AND SERIAL NUMBER WHEN ORDERING SERVICE PARTS

# RB1400 TWINEBOX & TWINE WRAPPING MECHANISM



IMPORTANT: Order by Part Number - DO NOT use Illustration Reference Numbers.

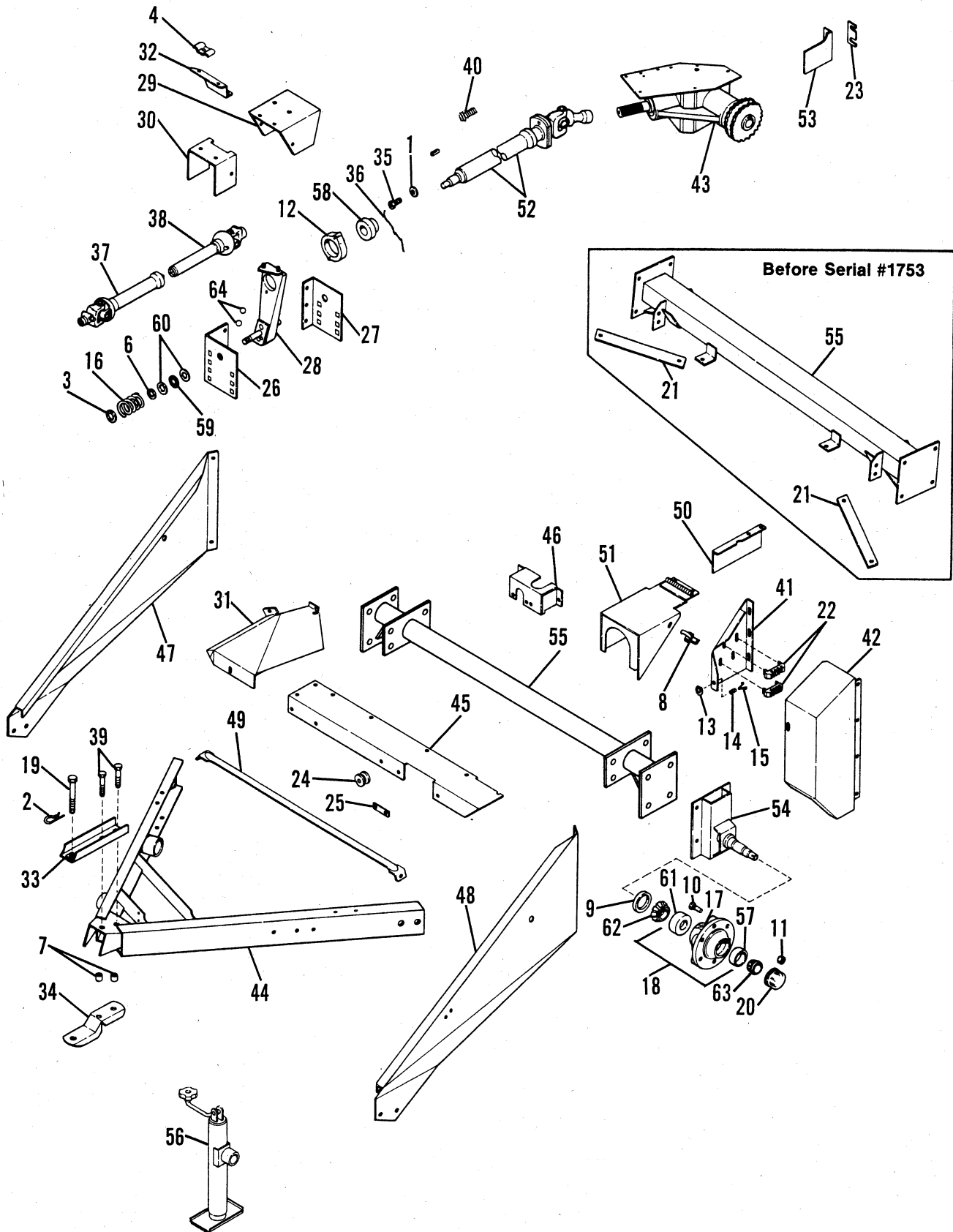
Ref. No.	Part No.	Part Name	No. Req.
	15	059799 Twine Bolt .....	2
		(4) 1/4 HLN	
	16	060302 Support Rod.....	1
		(2) 1/2 HJN - (2) HN - (2) PW	
	17	061050 Twine Tube.....	1
		650528 HHCS 3/8 x 2 .....	1
		(1) 3/8 HLN	
	18	061052 Activating Lever.....	1
	19	061708A Shear Bolt 1/4 x 1 Grade 2 .....	1
		(1) 1/4 HLN	
	20	061712 Cut-off Stop .....	1
		650487 HHCS 5/16 x 1 .....	2
		(2) 5/16 HN - (2) LW	
	21	066261 Lever Arm.....	1
		650568 HHCS 5/16 x 2 .....	1
		(1) 5/16 HLN	
	22	066263 Cylinder Mount .....	1
		650834 CB 1/2 x 1-1/2.....	2
		(2) 1/2 HN - (2) LW	
	23	066274 Twine Tube.....	1
	24	066275 Cross Tube .....	1
	25	069832 Twinebox .....	1
		(Used after Serial #1752)	
		066463 Twinebox .....	1
		(Used before Serial #1753)	
		650486 HHCS 5/16 x 3/4 .....	5
		(5) 5/16 HN - (5) LW	
		650490 HHCS 3/8 x 1 .....	1
		(1) 3/8 HN - (1) LW - (1) PW	
	26	070071 Clamp Base.....	1
		(Used after Serial #1752)	
		066273 Clamp Base.....	1
		(Used before Serial #1753)	
		650490 HHCS 3/8 x 1 .....	1
		(1) 3/8 HN - (1) LW	
1	9H253	Washer.....	2
2	B11069	U-Bolt .....	2
		(4) 5/16 HLN	
3	M12361	Spring .....	2
4	044116	Latch .....	1
	650812	RHMS #1224 x 1/2.....	2
		(2) #1224 HMN - (2) #12 LW	
5	054959	Bellville Washer .....	2
6	056773	Hose Clamp .....	3
	650486	HHCS 5/16 x 3/4 .....	3
		(3) 5/16 HN - (3) LW	
7	057422	Twine Guide Angle .....	1
	650449	HHCS 1/4 x 2-1/2 .....	2
		(2) 1/4 HLN - (2) PW	
8	057919	Twine Knife .....	2
	650448	HHCS 1/4 x 3/4 .....	2
	650835	HHCS 1/4 x 1 .....	2
		(4) 1/4 HN - (4) LW	
9	057920	Knife Spacer.....	1
10	059708	Cylinder Spacer .....	1
	650568	HHCS 5/16 x 2 .....	1
		(1) 5/16 HLN	
11	059709	Twine Cut-off.....	1
	650568	HHCS 5/16 x 2 .....	1
		(1) 5/16 HLN	
12	059721	Twine Guide .....	2
13	059767	Twine Guide .....	1
	650487	HHCS 5/16 x 1 .....	2
		(2) 5/16 HN - (2) LW	
14	059794	Twinebox Cover.....	1
	650486	HHCS 5/16 x 3/4 .....	3
		(3) 5/16 HN - (3) LW	

A For Replacement Shear Bolts, order Kit 900091 (containing 8 Bolts).

ALWAYS GIVE MODEL AND SERIAL NUMBER WHEN ORDERING SERVICE PARTS

# RB1400 - IMPLEMENT DRIVELINE, DRAWBAR & HITCHJACK

IMPORTANT: Order by Part Number - DO NOT use Illustration Reference Numbers.



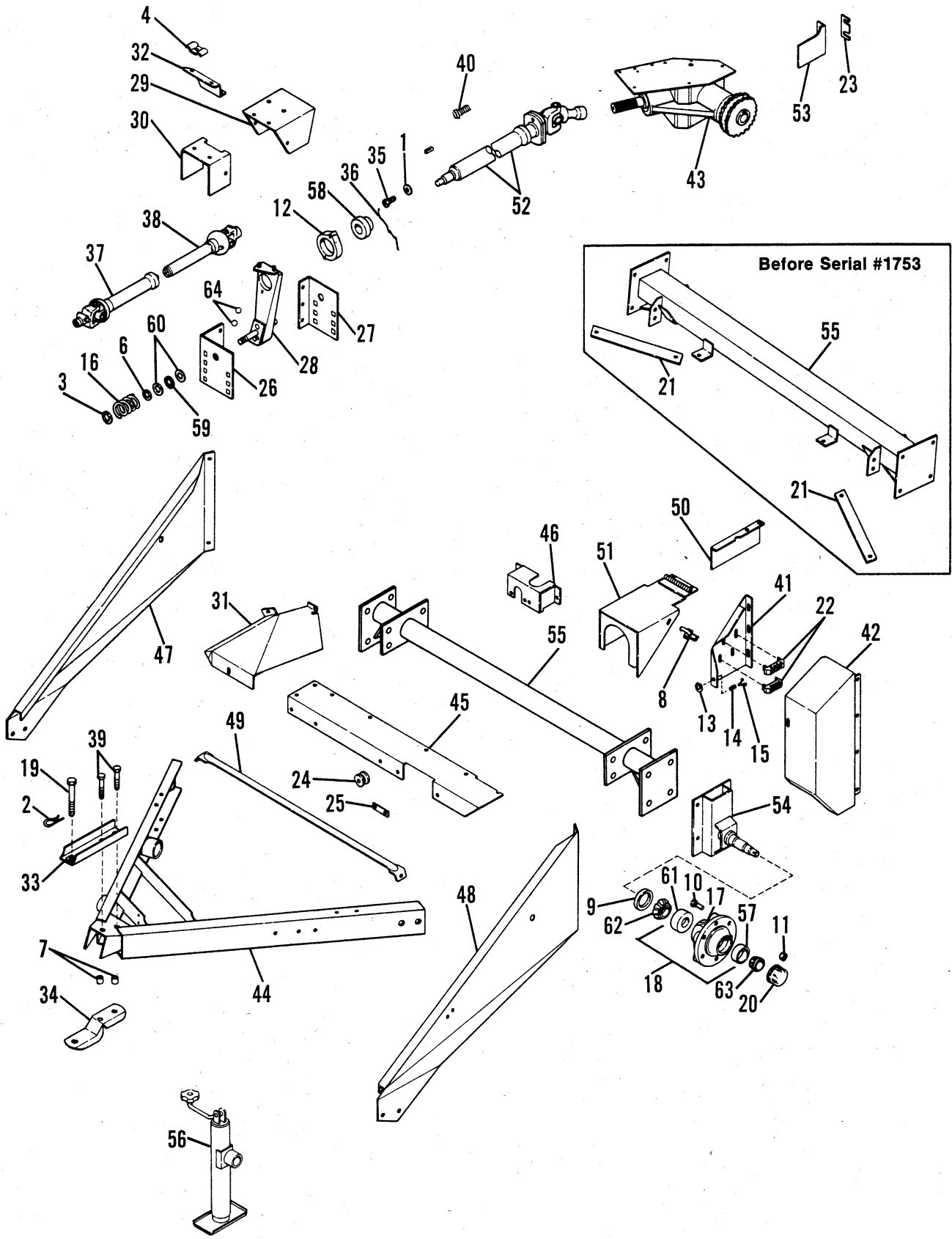
## RB1400 - IMPLEMENT DRIVELINE, DRAWBAR & HITCHJACK

Ref. No.	Part No.	Part Name	No. Req.	Ref. No.	Part No.	Part Name	No. Req.
1	9H253	Retainer .....	1	31	059773	Cutoff Cover .....	1
2	9H300	Lockpin .....	1		650487	HHCS 5/16 x 1 .....	3
3	D932A	Washer .....	1		(3) 5/16 HN - (3) LW - (1) PW		
4	H6094	Hose Clamp .....	2	32	060295	Hose Mount .....	1
	650453	HHCS 1/2 x 1-1/2 .....	2		650486	HHCS 5/16 x 3/4 .....	2
	(2) 1/2 HLN w/Nylon Insert 068034				(2) 5/16 PW - (2) HLN		
5	H6172	Tubular Drive Key .....	1	33	060759	Upper Drawbar Clip .....	1
6	H8054	Shim Washer .....	1	34	060760	Lower Drawbar Clip .....	1
7	040057	Spacer .....	2	35	060979	Joint Retainer Bolt .....	1
8	044116	Latch .....	1	36	061006	Joint Retainer Wire .....	1
	650812	RHMS #1224 x 1/2 .....	2	37	061124B	Universal Joint w/Spline Shaft - Assembled (540 RPM) .....	1
	(2) #1224 HN - (2) LW				067173B	Universal Joint w/Spline Shaft - Assembled (Optional 1000 RPM) .....	1
9	045998	Grease Seal .....	2	38	061125B-C	Universal Joint w/Spline Tube - Assembled .....	1
10	046000	Wheel Bolt .....	12	39	061687	Drawbar Clip Bolt 5/8 x 3-1/4 ...	2
11	046001	Wheel Nut .....	12		(4) 5/8 HLN		
12	046754	Bearing Housing .....	1	40	061700D	Shear Bolt 5/16 x 1-3/4 Grade 2 .	1
	650533	HHCS 3/8 x 1-1/2 .....	2		(540 RPM Only)		
	(2) 3/8 HN - (2) LW				066285E	Shear Bolt 5/16 x 1-1/2 Grade 2 .	1
13	055690	Latch Handle .....	1		(1) 5/16 HLN		
14	055691	Latch Spring .....	1	41	065674	Transmission Guard Side .....	1
15	055692	Latch Clip .....	1		650486	HHCS 5/16 x 3/4 .....	3
16	056211	Compression Spring .....	1		(3) 5/16 HN - (3) LW - (3) PW		
17	057570A	Wheel Hub .....	2	42	065721	Transmission Guard .....	1
18	057911	Wheel Hub - Assembled .....	2		650448	HHCS 1/4 x 3/4 .....	4
	(Includes One 520054 Cup, One 520199 Cup and Six 046000 Wheel Bolts)				(4) 1/4 HN - (4) LW		
19	058328	Hitch Pin .....	1	43	066245F	Transmission - Assembled .....	1
	(1) 3/4 HN - (1) PW				(540 RPM)		
20	058421	Grease Cap .....	2		068335F	Transmission - Assembled .....	1
21	058453	Brace .....	2		(Optional 1000 RPM Kit)		
	(Used before Serial #1753)				650495	HHCS 1/2 x 1-1/4 .....	4
	650453	HHCS 1/2 x 1-1/2 .....	4		(4) 1/2 LW		
	(4) 1/2 HN - (4) LW			44	066255	Drawbar .....	1
22	059272	Shear Bolt Holder .....	2		650491	HHCS 3/8 x 1-1/4 .....	1
23	059692	Support Shim .....	2		(1) 3/8 HN - (1) LW		
24	059721	Rope Guide .....	1	45	066267	Frame Shield .....	1
25	059722	Insulator Clamp .....	1		650486	HHCS 5/16 x 3/4 .....	5
	650486	HHCS 5/16 x 3/4 .....	2		(5) 5/16 HN - (5) LW		
	(2) 5/16 HN - (2) LW			46	066269	Shield Cover .....	1
26	059754	PTO Mount .....	1		650486	HHCS 5/16 x 3/4 .....	3
	650527	CB 1/2 x 1-1/4 .....	3		(3) 5/16 HN - (3) LW		
	(3) 1/2 LW			47	066276	Drawbar Brace - Right .....	1
27	059756	PTO Adjustment Rear Plate .....	1		650490	HHCS 3/8 x 1 .....	2
	650491	HHCS 3/8 x 1-1/4 .....	3		(2) 3/8 HN - (2) LW		
	(3) 3/8 HN - (3) LW			48	066278	Drawbar Brace - Left .....	1
	650527	CB 1/2 x 1-1/4 .....	2		650490	HHCS 3/8 x 1 .....	4
	(2) 1/2 LW -				(4) 3/8 HN - (4) LW		
	(2) 1/2 HLN w/Nylon Insert 068034			49	066279	Upper Crossbar .....	1
28	059757	PTO Pedestal .....	1		650490	HHCS 3/8 x 1 .....	2
	(2) 5/16 HN - (2) LW				(2) 3/8 HN - (2) LW		
29	059765	PTO Guard .....	1	50	066280	Universal Rear Guard .....	1
30	059766	PTO Shield .....	1		650486	HHCS 5/16 x 3/4 .....	2
	650448	HHCS 1/4 x 3/4 .....	2		(2) 5/16 HN - (2) LW		
	(2) 1/4 HN - (2) LW						

ALWAYS GIVE MODEL AND SERIAL NUMBER WHEN ORDERING SERVICE PARTS

# RB1400 - IMPLEMENT DRIVELINE, DRAWBAR & HITCHJACK

IMPORTANT: Order by Part Number - DO NOT use Illustration Reference Numbers.



# RB1400 - IMPLEMENT DRIVELINE, DRAWBAR & HITCHJACK

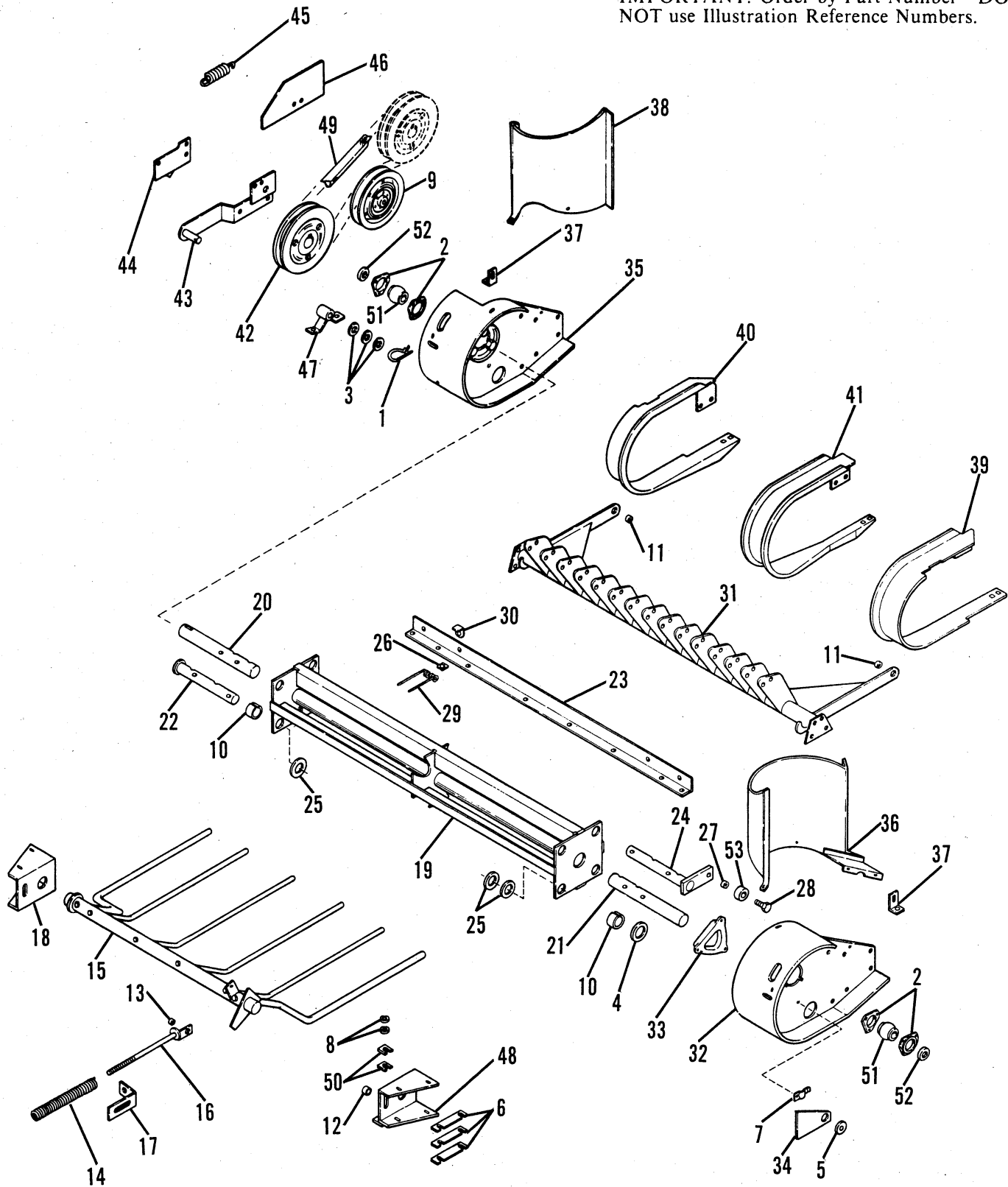
Ref. No.	Part No.	Part Name	No. Req.	Ref. No.	Part No.	Part Name	No. Req.
51	066281	Universal Guard .....	1	57	520054	Bearing Cup .....	2
	650486	HHCS 5/16 x 3/4 .....	2	58	520066	Ball Bearing .....	1
		(2) 5/16 HN - (2) LW		59	520135	Thrust Bearing .....	1
52	066284 <b>B-C</b>	Tubular Drive - Assembled .....	1	60	520136	Thrust Washer .....	2
53	066396	Support .....	1	61	520199	Bearing Cup .....	2
	650453	HHCS 1/2 x 1-1/2 .....	2	62	520200	Bearing Cone .....	2
		(2) 1/2 HN - (2) LW - (2) PW		63	520201	Bearing Cone .....	2
54	066651	Adjustable Axle .....	2	64	666002	Steel Ball 3/4" Dia. ....	2
	655020	Cotterpin 3/16 x 1-1/2 .....	2				
	650569	HHCS 1/2 x 1-3/4 .....	8				
		(8) 1/2 HN - (8) LW					
55	069838	Axle .....	1				
		(Used after Serial #1752)					
	066151	Axle .....	1				
		(Used before Serial #1753)					
	650453	HHCS 1/2 x 1-1/2 .....	8				
		(8) 1/2 HN - (8) LW - (8) PW					
56	071117 <b>G</b>	Hitch Jack - Assembled .....	1				
		(Used after Serial #1752)					
	061019 <b>G</b>	Hitch Jack - Assembled .....	1				
		(Used before Serial #1753)					

- A** For Replacement, order 057911 Wheel Hub - Assembled.
- B** For Components, see pages 36 & 37.
- C** Same Universal used for 540 & 1000 RPM.
- D** For Replacement Shear Bolts, order Kit 900015 (containing 8 Bolts)
- E** For Replacement Shear Bolts, order Kit 902261 (containing 8 Bolts)
- F** For Components, see page 19.
- G** For Components, see page 24.

ALWAYS GIVE MODEL AND SERIAL NUMBER WHEN ORDERING SERVICE PARTS

# RB1400 - PICKUP & PICKUP DRIVE

IMPORTANT: Order by Part Number - DO NOT use Illustration Reference Numbers.



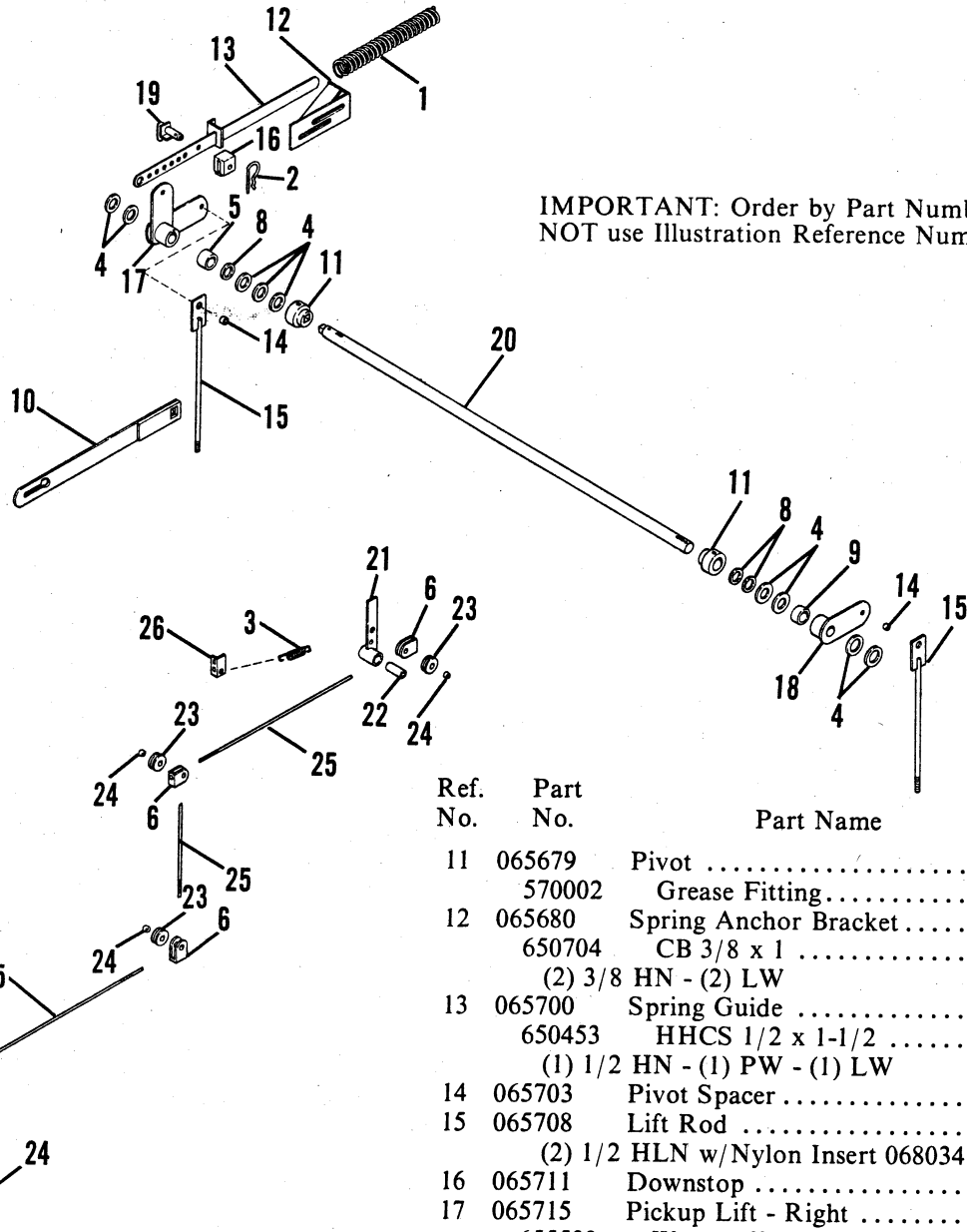
ALWAYS GIVE MODEL AND SERIAL NUMBER WHEN ORDERING SERVICE PARTS



## RB1400 - PICKUP & PICKUP DRIVE

Ref. No.	Part No.	Part Name	No. Req.	Ref. No.	Part No.	Part Name	No. Req.
1	9H300	Lockpin .....	1	33	066501	Cam .....	1
2	H8334	Bearing Retainer .....	4		650490	HHCS 3/8 x 1 .....	2
		650490 HHCS 3/8 x 1 .....	3			(2) 3/8 HN - (2) LW	
		650704 CB 3/8 x 1 .....	3	34	066502	Cover .....	1
		(3) 3/8 HN - (6) LW			650491	HHCS 3/8 x 1-1/4 .....	1
3	H8354	Retainer Washer .....	3			(1) 3/8 HN - (1) LW - (1) PW	
4	B11162B	Shim Washer .....	As Req'd.	35	066503	Header - Right .....	1
5	M12118	Washer .....	1	36	066508	Crowder - Left .....	1
6	040727	Shim .....	6		650269	PTHMS 5/16 x 3/4 .....	1
7	040860	Clip .....	1			(1) 5/16 HN - (1) LW - (1) PW	
		650548 RHMS #1024 x 1/2 .....	1	37	066511	Mounting Angle .....	2
		(1) #1024 HMN - (1) LW			650687	CB 5/16 x 3/4 .....	2
8	049261	Washer .....	2		650269	PTHMS 5/16 x 3/4 .....	2
9	053688	Belt Idler .....	1			(4) 5/16 HN - (4) LW - (4) PW	
		650710 HHCS 5/8 x 2-1/4 .....	1	38	066512	Crowder - Right .....	1
		(1) 5/8 HN - (1) LW			650269	PTHMS 5/16 x 3/4 .....	3
10	056349	Tension Bushing .....	8			(3) 5/16 HN - (3) LW - (1) PW	
11	057512	Pivot Bushing .....	2	39	066517	Spring Guide - Left .....	1
12	060171	Spacer .....	1		650486	HHCS 5/16 x 3/4 .....	2
13	061501	Spacer .....	1			(2) 5/16 HN - (2) LW	
14	061508	Spring .....	1		650790	CB 3/8 x 3/4 .....	2
15	066433	Hold-down .....	1			(2) 3/8 HN - (2) LW	
		650487 HHCS 5/16 x 1 .....	2	40	066519	Spring Guide - Right .....	1
		(2) 5/16 HN - (2) LW			650486	HHCS 5/16 x 3/4 .....	2
16	066440	Spring Guide .....	1			(2) 5/16 HN - (2) LW	
		650491 HHCS 3/8 x 1-1/4 .....	1		650790	CB 3/8 x 3/4 .....	2
		(1) 3/8 HN - (1) LW - (1) PW				(2) 3/8 HN - (2) LW	
		(1) 1/2 HLN w/Nylon Insert 068034		41	066521	Spring Guide .....	11
17	066444	Spring Guide Bracket .....	1		650486	HHCS 5/16 x 3/4 .....	22
18	066445	Mounting Bracket - Right .....	1			(22) 5/16 HN - (22) LW	
		650487 HHCS 5/16 x 1 .....	2		650790	CB 3/8 x 3/4 .....	22
		650545 HHCS 5/16 x 1-1/4 .....	2			(22) 3/8 HN - (22) LW	
		(4) 5/16 HN - (4) LW - (4) PW		42	066524	Pick-up Sheave - 7-5/8" Dia. ....	1
19	066474	Pick-up Drum .....	1		650213	SHSS 3/8 x 3/8 .....	2
20	066479	Pick-up Shaft - Right .....	1	43	066526	Idler Arm .....	1
		650513 Woodruff Key 1/4 x 1 .....	1	44	066528	Tension Plate .....	1
		650528 HHCS 3/8 x 2 .....	4		650490	HHCS 3/8 x 1 .....	1
		(4) 3/8 HLN			650579	HHCS 3/8 x 1-3/4 .....	1
21	066480	Pick-up Shaft - Left .....	1			(2) 3/8 HN - (2) LW - (3) PW - (1) HLN	
		650528 HHCS 3/8 x 2 .....	4	45	066531	Extension Spring .....	1
		(4) 3/8 HLN		46	066532	Shield .....	1
22	066481	Pivot Pin .....	4		650542	HHCS 1/4 x 1/2 .....	2
		650528 HHCS 3/8 x 2 .....	12			(2) 1/4 LW	
		(12) 3/8 HLN		47	066533	Idler Pivot .....	1
23	066483	Tine Support Angle .....	4		570009	Grease Fitting .....	1
24	066484	Cam Arm .....	4		650490	HHCS 3/8 x 1 .....	2
		650528 HHCS 3/8 x 2 .....	12			(2) 3/8 HN - (2) LW	
		(12) 3/8 HLN		48	066567	Mounting Bracket - Left .....	1
25	066487	Washer .....	16		650487	HHCS 5/16 x 1 .....	2
26	066488	Spacer .....	24		650545	HHCS 5/16 x 1-1/4 .....	2
27	066489	Cam Roller Spacer .....	4			(4) 5/16 HN - (4) LW - (4) PW	
28	066490	Cam Roller Bolt - 1/2 x 1-1/2 ...	4		650533	HHCS 3/8 x 1-1/2 .....	1
29	066491	Pick-up Tine .....	24			(1) 3/8 HN - (1) LW - (1) PW	
		650487 HHCS 5/16 x 1 .....	16		650453	HHCS 1/2 x 1-1/2 .....	1
		650692 HHCS 5/16 x 1-3/4 .....	8			(1) 1/2 HN - (1) LW - (2) PW	
		(24) 5/16 HLN		49	067516	Drive Belt .....	1
30	066492	Tine Clip .....	24	50	068189	Shim .....	2
31	066493	Stabilizer Bar .....	1	51	520065	Ball Bearing .....	2
		650490 HHCS 3/8 x 1 .....	8	52	520085	Bearing Lock Collar .....	2
		(8) 3/8 HN - (8) LW		53	520175	Cam Roller .....	4
32	066499	Header - Left .....	1				

# RB1400 - PICKUP LIFT & OVERFILL CLUTCH



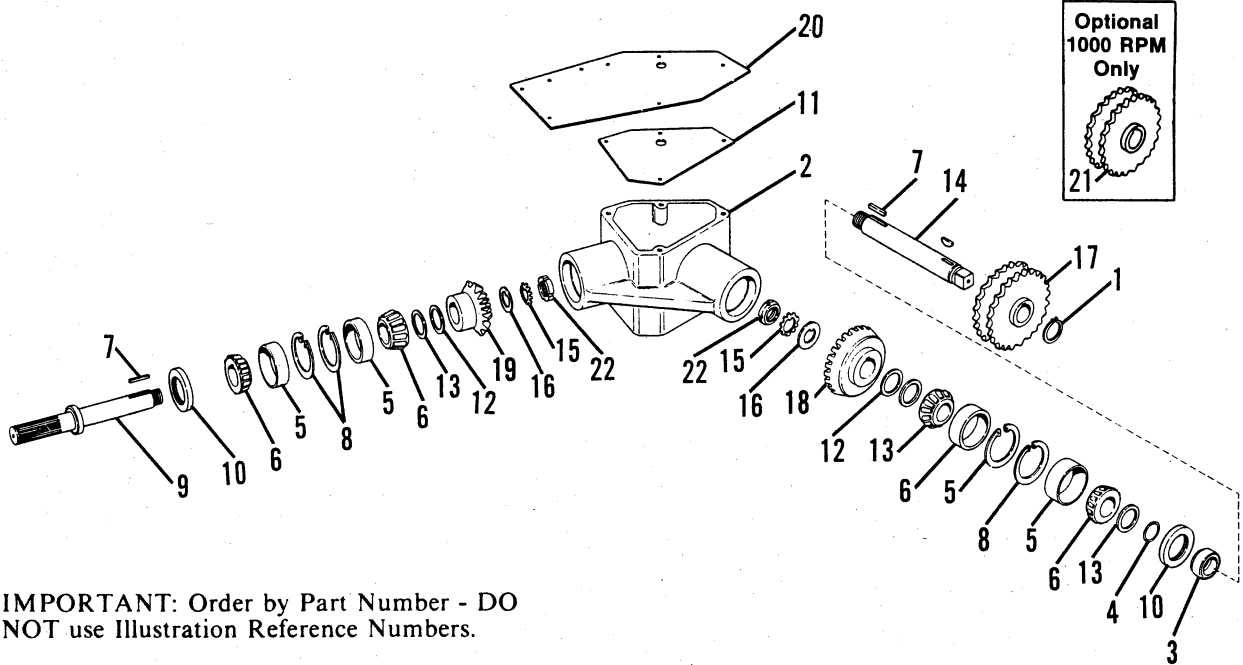
IMPORTANT: Order by Part Number - DO NOT use Illustration Reference Numbers.

Ref. No.	Part No.	Part Name	No. Req.
1	C133	Compression Spring	1
2	9H300	Lockpin	1
3	U10063	Spring	1
4	B11090	Washer	10
5	047956	Spacer	1
6	056145	Pulley Bracket	4
	650486	HHCS 5/16 x 3/4	1
	650487	HHCS 5/16 x 1	2
		(3) 5/16 HN - (2) PW - (2) LW	
7	058539	Lift Pulley	1
	650486	HHCS 5/16 x 3/4	1
		(1) 5/16 HN - (1) PW - (1) LW	
8	061529	Washer	3
9	061853	Spacer	1
10	065675	Reversing Handle	1

Ref. No.	Part No.	Part Name	No. Req.
11	065679	Pivot	2
	570002	Grease Fitting	2
12	065680	Spring Anchor Bracket	1
	650704	CB 3/8 x 1	2
		(2) 3/8 HN - (2) LW	
13	065700	Spring Guide	1
	650453	HHCS 1/2 x 1-1/2	1
		(1) 1/2 HN - (1) PW - (1) LW	
14	065703	Pivot Spacer	3
15	065708	Lift Rod	2
		(2) 1/2 HLN w/Nylon Insert 068034	
16	065711	Downstop	1
17	065715	Pickup Lift - Right	1
	655539	Woodruff Key 1/4 x 1-1/8	1
18	065718	Pickup Lift - Left	1
	655539	Woodruff Key 1/4 x 1-1/8	1
19	065719	Pin	1
20	066536	Torsion Shaft	1
	650554	Cotter Pin 1/4 x 2-1/4	2
21	066537	Overfill Clutch	1
	650859	HHCS 5/8 x 3-1/4	1
		(1) 5/8 HN - (1) PW - (1) LW	
22	066540	Pivot Spacer	1
23	066542	Pulley	4
	650545	HHCS 5/16 x 1-1/4	3
	650577	HHCS 5/16 x 1-1/2	1
		(4) 5/16 HN - (4) LW	
24	066543	Bushing	4
25	066544	Wire Rope (1/8" x 138")	1
26	067879	Cable Anchor	1
	650573	CB 5/16 x 1	2
		(2) 5/16 HN - (2) LW	

ALWAYS GIVE MODEL AND SERIAL NUMBER WHEN ORDERING SERVICE PARTS

# RB1400 - TRANSMISSION

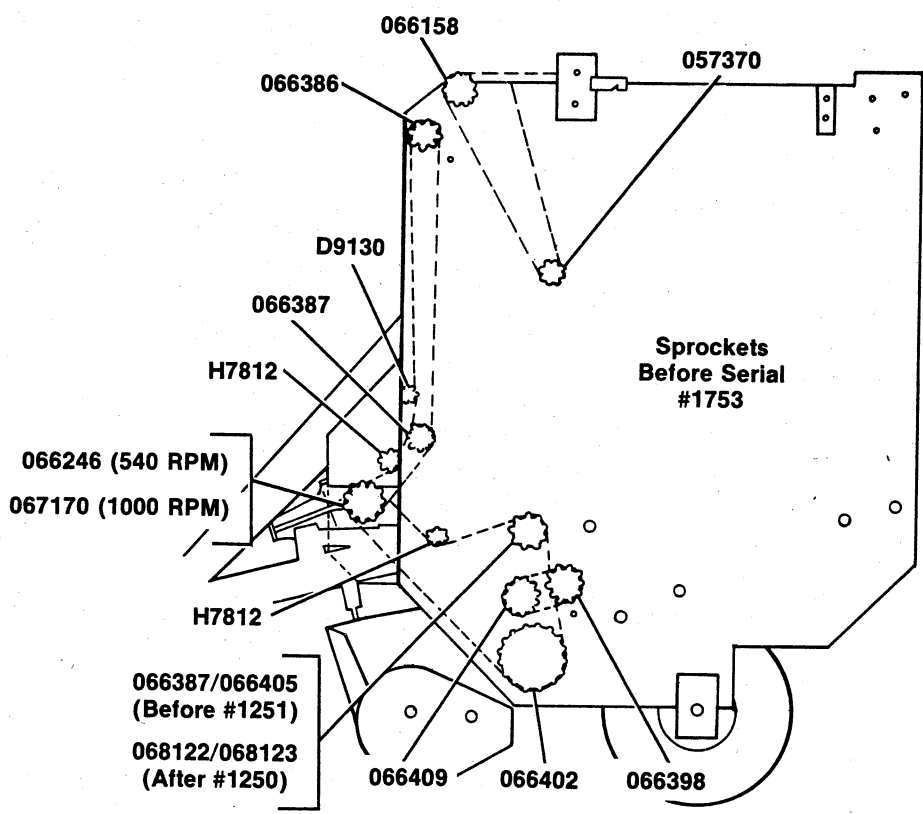
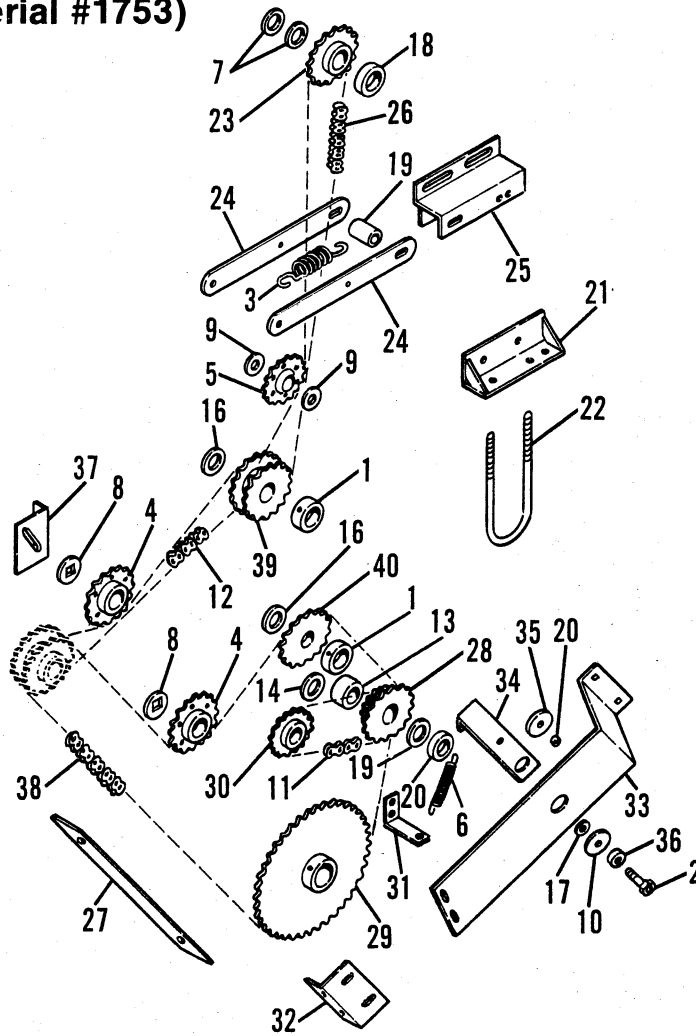


**IMPORTANT: Order by Part Number - DO NOT use Illustration Reference Numbers.**

Ref. No.	Part No.	Part Name	No. Req.	Ref. No.	Part No.	Part Name	No. Req.
	066245	540 RPM Transmission - Assembled .....	1	12	060515	Shim Washer .....	As Req'd.
	068335	1000 RPM Transmission - Assembled .....	1	13	060516	Shim Washer .....	As Req'd.
		Consists of:		14	065728	Drive Shaft .....	1
1	054161	Snap Ring .....	1		655536	Woodruff Key 3/8 x 1-1/4 .....	1
2	059554	Transmission Housing .....	1	15	065730	Lock Washer .....	2
	660004	Pipe Plug - 1/2 .....	1	16	065731	Tongued Washer .....	2
3	059562	Hub .....	1	17	066246	Double Sprocket (24T-24T) .....	1
4	059563	O-Ring .....	1			(540 RPM)	
5	059564	Bearing Cup .....	4	18	066252	Transmission Gear (24T) .....	1
6	059565	Bearing Cone .....	4	19	066253	Transmission Gear (15T) .....	1
7	059566	Key 3/8 x 3/8 x 1-1/2 .....	2	20	066254	Transmission Cover .....	1
8	059567	Snap Ring (Internal) .....	4		570016	Relief Fitting .....	1
9	059569	Drive Shaft .....	1		650486	HHCS 5/16 x 3/4 .....	4
10	059572	Oil Seal .....	2			(4) 5/16 LW	
11	059574	Transmission Gasket .....	1	21	067170	Double Sprocket (14T - 14T) .....	1
						(1000 RPM)	
				22	520000	Lock Nut .....	2

ALWAYS GIVE MODEL AND SERIAL NUMBER WHEN ORDERING SERVICE PARTS

**RB1400 - ROLLER DRIVE  
(Used Before Serial #1753)**



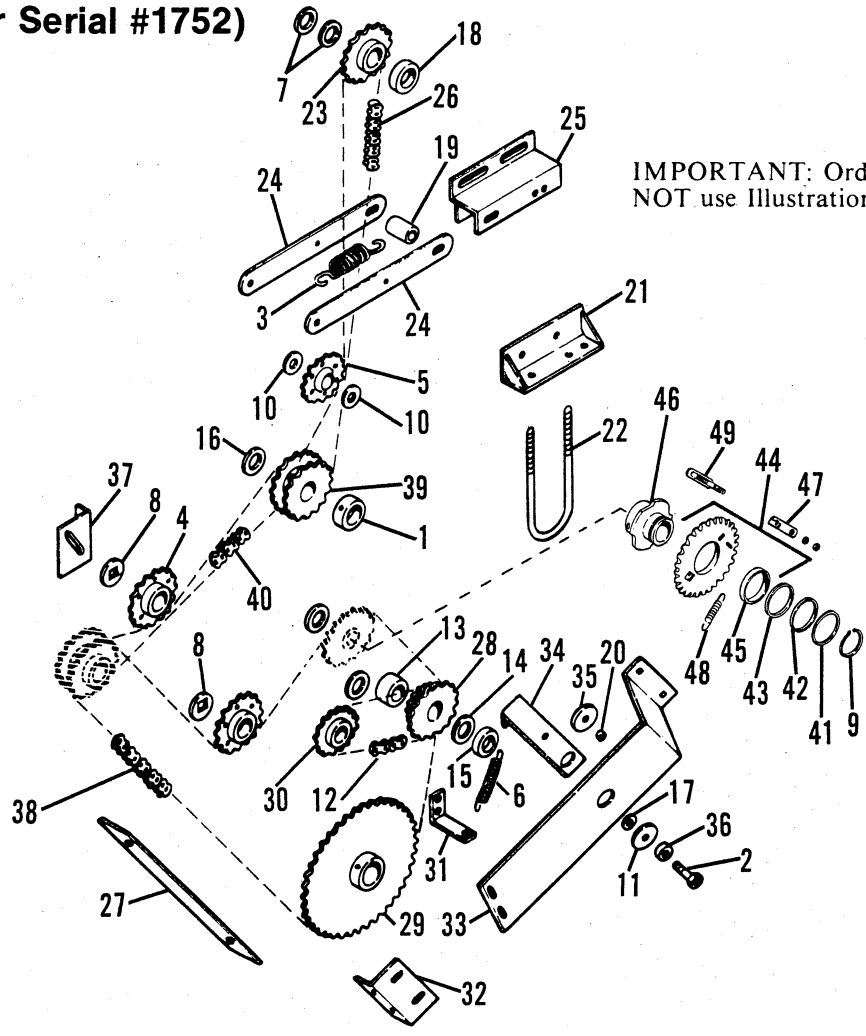
**RB1400 - ROLLER DRIVE  
(Used Before Serial #1753)**

Ref. No.	Part No.	Part Name	No. Req.	Ref. No.	Part No.	Part Name	No. Req.
1	13H59	Set Collar .....	2	26	066395	Roller Chain (#50) of 155 Links Including One (500057)	
	650204	SHSS 5/16 x 3/8 .....	4			Connector Link .....	1
2	9H240	Cap Screw .....	1	27	066397	Chain Slide .....	1
	570011	Grease Fitting .....	1		650704	CB 3/8 x 1 .....	2
		(1) 1/2 HN			(2) 3/8 HN - (2) LW		
3	17H349	Chain Tightener Spring .....	1	28	066398	Idler Sprocket (15/25T) .....	1
4	H7812	Idler Sprocket .....	2			(Includes Two 056345 Needle Bearings)	
	650774	CB 1/2 x 2 .....	2	29	066402	Sprocket (48T) .....	1
		(2) 1/2 HN - (2) LW - (1) PW			650213	SHSS 3/8 x 3/8 .....	2
5	D9130	Idler Sprocket .....	1	30	066409	Sprocket (21T) .....	1
	650502	HHCS 1/2 x 2-1/4 .....	1		650213	SHSS 3/8 x 3/8 .....	2
		(1) 1/2 HN - (1) LW - (2) PW		31	066412	Spring Bracket .....	1
6	U10063	Extension Spring .....	1		650487	HHCS 5/16 x 1 .....	2
7	B11162B	Shim Washer .....	As Req'd.		(2) 5/16 HN - (2) LW		
8	048459	Washer .....	2	32	066413	Bracket .....	1
9	055098	Washer .....	2		650490	HHCS 3/8 x 1 .....	2
10	055447	Washer .....	1		(2) 3/8 HN - (2) LW		
11	055458	Roller Chain (#60) of 32 Links Including One (500160)		33	066414	Outboard Support .....	1
		Connector Link .....	1		650704	CB 3/8 x 1 .....	2
12	056148	Chain (#60) of 52 Links Including One (500160) Connector Link and One (500161) Offset Link .....	1		650491	HHCS 3/8 x 1-1/4 .....	2
					(4) 3/8 HN - (4) LW - (4) PW		
13	056345	Needle Bearing .....	2	34	066415	Idler Arm .....	1
14	057350	Thrust Bearing Race .....	As Req'd.		650692	HHCS 5/16 x 1-3/4 .....	1
15	057351	Thrust Bearing Race .....	As Req'd.		(1) 5/16 HN - (1) LW		
16	057617	Shim Washer .....	2	35	066417	Washer .....	1
17	058138	Slide Shim .....	3	36	066418	Spacer .....	1
18	058489	Set Collar .....	1	37	066419	Idler Bracket .....	1
	650204	SHSS 5/16 x 3/8 .....	1		650786	HHCS 3/8 x 1-1/4 .....	2
		(2) 3/8 HN - (2) LW			(2) 3/8 HN - (2) LW		
19	058493	Idler Bracket Spacer .....	1	38	066545	Chain (#60) of 132 Links Including Two (500160) Connector Links ..	1
20	062102	Spacer .....	1	39	068122	Sprocket (24/29T) .....	1
21	066215	Roll Arm Stop Bracket .....	1			(Used after Serial #1250)	
	650490	HHCS 3/8 x 1 .....	2		066387A	Sprocket (25/29T) .....	1
		(2) 3/8 HN - (2) LW				(Used before Serial #1251)	
22	066218	U-Bolt .....	1	40	068123	Sprocket (24T) .....	1
		(4) 1/2 HN				(Used after Serial #1250)	
23	066386	Sprocket (29T) .....	1		066405A	Sprocket (25T) .....	1
24	066392	Idler Arm .....	2			(Used before Serial #1251)	
	650493	HHCS 3/8 x 2-3/4 .....	2				
		(2) 3/8 HLN - (2) PW					
25	066393	Idler Bracket .....	1				
	650704	CB 3/8 x 1 .....	2				
		(2) 3/8 HN - (2) LW - (2) PW					

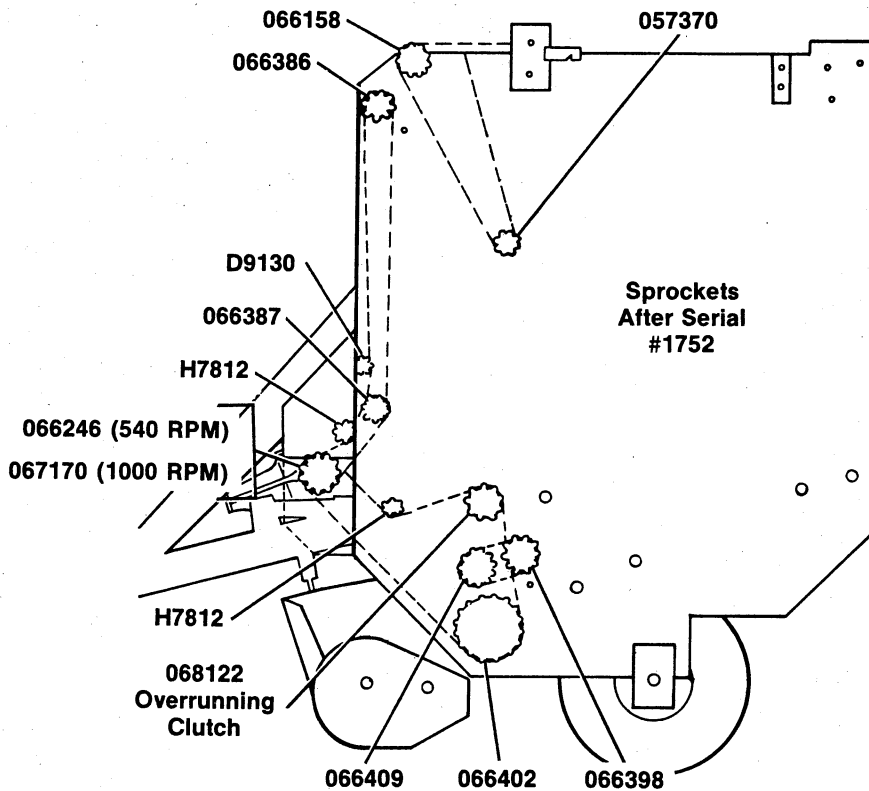
**A** Must be ordered in pairs. For replacement order One 068122 (24/29T) and One 068123 (24T) Sprocket.

ALWAYS GIVE MODEL AND SERIAL NUMBER WHEN ORDERING SERVICE PARTS

**RB1400 - ROLLER DRIVE  
(Used After Serial #1752)**



**IMPORTANT: Order by Part Number - DO NOT use Illustration Reference Numbers.**



## RB1400 - ROLLER DRIVE (Used After Serial #1752)

Ref. No.	Part No.	Part Name	No. Req.	Ref. No.	Part No.	Part Name	No. Req.
1	13H59	Set Collar .....	1	28	066398	Idler Sprocket (15/25T) .....	1
	650204	SHSS 5/16 x 3/8 .....	2			(Includes Two 056345 Needle Bearings)	
2	9H240	Cap Screw .....	1	29	066402	Sprocket (48T) .....	1
	570011	Grease Fitting .....	1		650213	SHSS 3/8 x 3/8 .....	2
		(1) 1/2 HN		30	066409	Sprocket (21T) .....	1
3	17H349	Chain Tightener Spring .....	1		650213	SHSS 3/8 x 3/8 .....	2
4	H7812	Idler Sprocket .....	2	31	066412	Spring Bracket .....	1
	650774	CB 1/2 x 2 .....	2		650487	HHCS 5/16 x 1 .....	2
		(2) 1/2 HN - (2) LW - (1) PW				(2) 5/16 HN - (2) LW	
5	D9130	Idler Sprocket .....	1	32	066413	Bracket .....	1
	650502	HHCS 1/2 x 2-1/4 .....	1		650490	HHCS 3/8 x 1 .....	2
		(1) 1/2 HN - (1) LW - (2) PW				(2) 3/8 HN - (2) LW	
6	U10063	Extension Spring .....	1	33	066414	Outboard Support .....	1
7	B11162B	Shim Washer .....	As Req'd.		650704	CB 3/8 x 1 .....	2
8	048459	Washer .....	2		650491	HHCS 3/8 x 1-1/4 .....	2
9	052205	Retaining Ring .....	1			(4) 3/8 HN - (4) LW - (4) PW	
10	055098	Washer .....	2	34	066415	Idler Arm .....	1
11	055447	Washer .....	1		650692	HHCS 5/16 x 1-3/4 .....	1
12	055458	Roller Chain (#60) of 32 Links In- cluding One (500160) Connector Link .....	1			(1) 5/16 HN - (1) LW	
13	056345	Needle Bearing .....	2	35	066417	Washer .....	1
14	057350	Thrust Bearing Race .....	As Req'd.	36	066418	Spacer .....	1
15	057351	Thrust Bearing Race .....	As Req'd.	37	066419	Idler Bracket .....	1
16	057617	Shim Washer .....	2		650786	HHCS 3/8 x 1-1/4 .....	2
17	058138	Slide Shim .....	3			(2) 3/8 HN - (2) LW	
18	058489	Set Collar .....	1	38	066545	Chain (#60) of 132 Links Including Two (500160) Connector Links .	1
	650204	SHSS 5/16 x 3/8 .....	1	39	068122	Sprocket (24/29T) .....	1
19	058493	Idler Bracket Spacer .....	1	40	068921	Chain (#60) of 51 Links Including One (500160) Connector Link and One (500161) Offset Link ....	1
20	062102	Spacer .....	1	41	069792	Washer (0.04) .....	As Req'd.
21	066215	Roll Arm Stop Bracket .....	1	42	069793	Washer (0.06) .....	As Req'd.
	650490	HHCS 3/8 x 1 .....	2	43	069794	Washer (0.13) .....	As Req'd.
		(2) 3/8 HN - (2) LW		44	069846	Sprocket (24T) .....	1
22	066218	U-Bolt .....	1			(Includes 069847 Bushing)	
		(4) 1/2 HN		45	069847	Bronze Bushing .....	1
23	066386	Sprocket (29T) .....	1	46	069850	Clutch Plate .....	1
24	066392	Idler Arm .....	2		650204	SHSS-SL 5/16 x 3/8 .....	2
	650493	HHCS 3/8 x 2-3/4 .....	2	47	070072	Spring Tension Bracket .....	1
		(2) 3/8 HLN - (2) PW		48	070870	Extension Spring .....	1
25	066393	Idler Bracket .....	1	49	071290	Clutch Link .....	1
	650704	CB 3/8 x 1 .....	2			(2) 5/16 HLN w/Nylon Insert 064260	
		(2) 3/8 HN - (2) LW - (2) PW					
26	066395	Roller Chain (#50) of 155 Links In- cluding One (500057) Connector Link .....	1				
27	066397	Chain Slide .....	1				
	650704	CB 3/8 x 1 .....	2				
		(2) 3/8 HN - (2) LW					

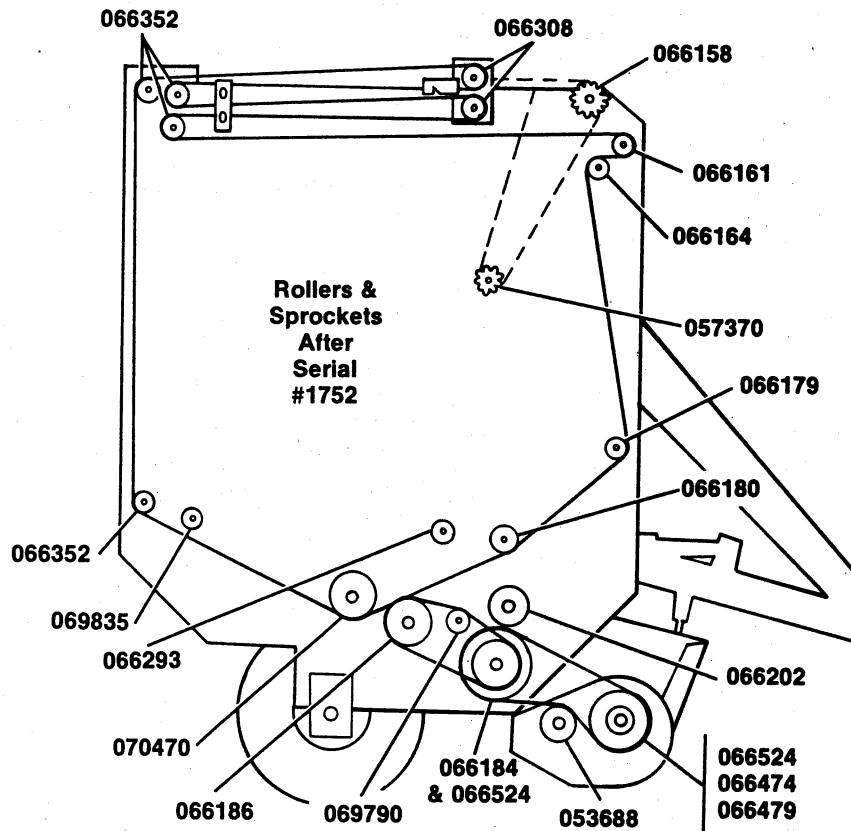
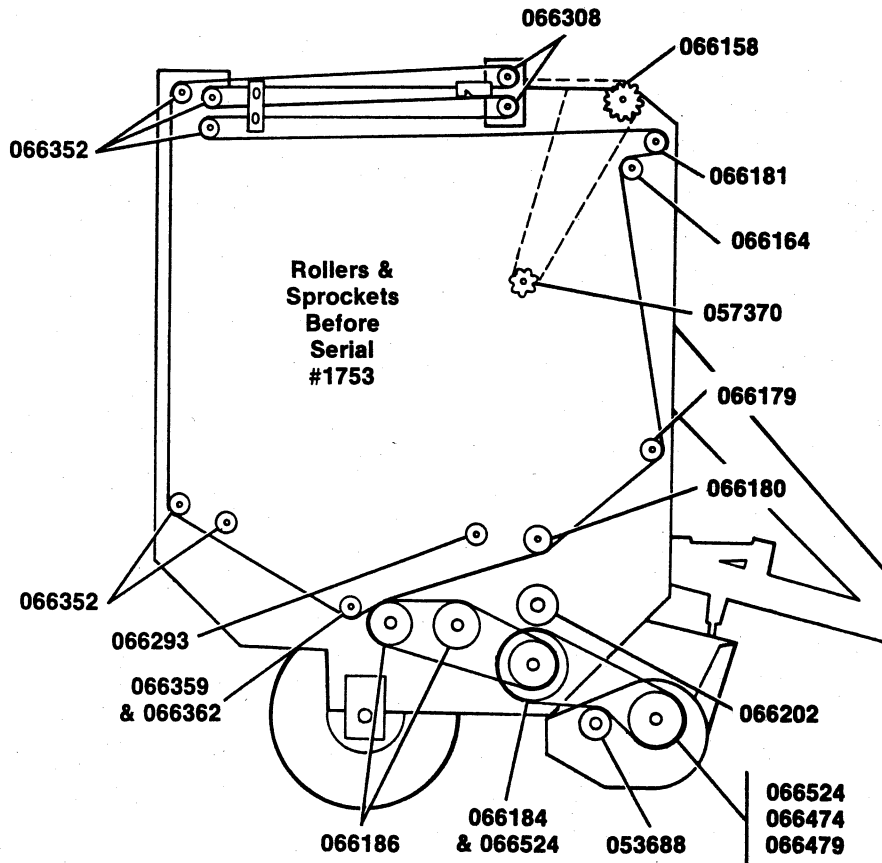
ALWAYS GIVE MODEL AND SERIAL NUMBER WHEN ORDERING SERVICE PARTS

# RB1400 - HITCH JACKS

Ref. No.	Part No.	Part Name	No. Req.
	061019	Hitch Jack - Assembled .....	1
(Used before Serial #1753)			
Consists of:			
1	055682	Crank Assembly .....	1
2	061276	Pin & Chain .....	1
3	061341	Inside Tube .....	1
4	061342	Outside Tube .....	1
5	071289	Jack Repair Kit .....	1
(Includes a Crank Pin, Thrust Washer, Thrust Bearing and a Retaining Ring)			

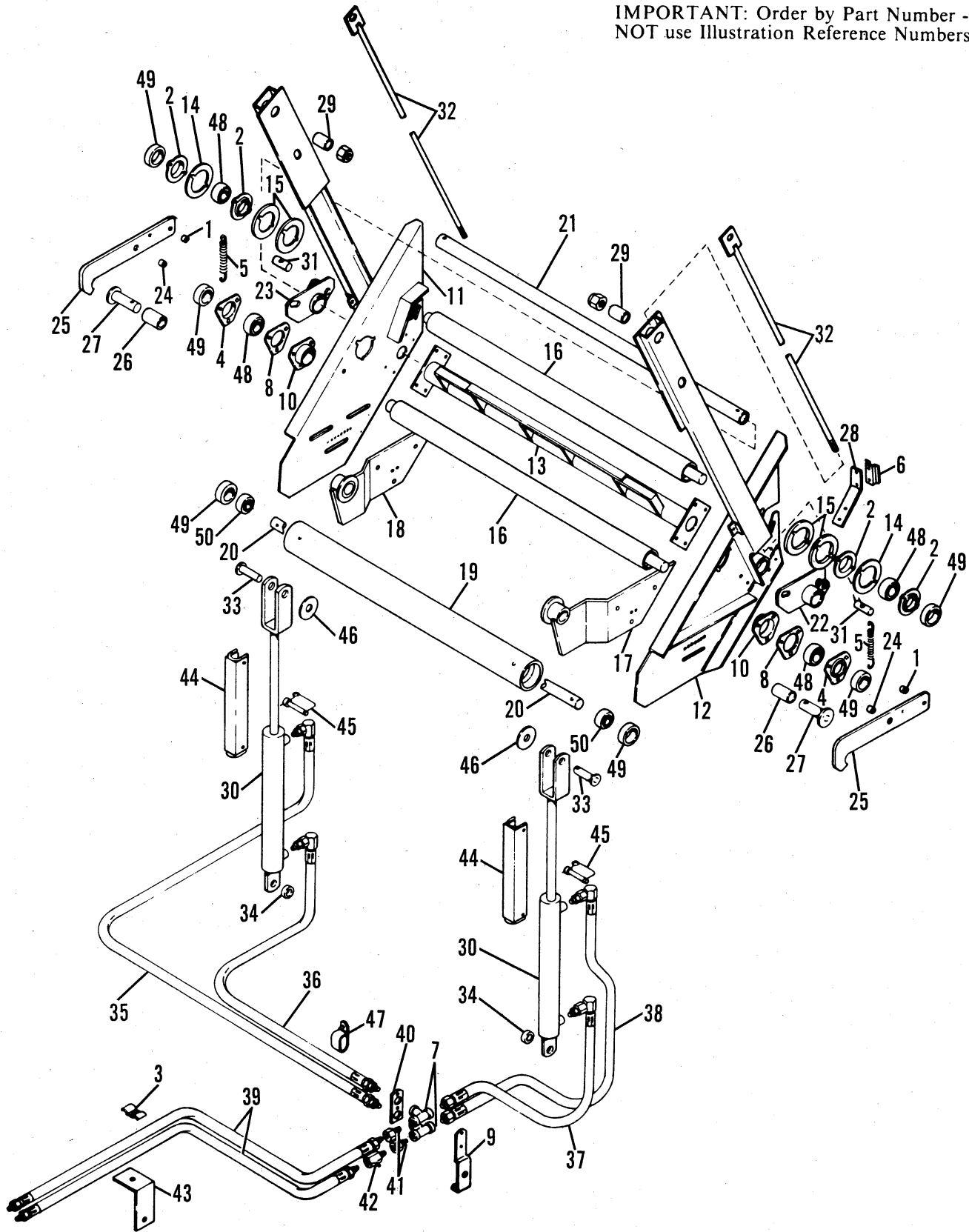
Ref. No.	Part No.	Part Name	No. Req.
	071117	Hitch Jack - Assembled .....	1
(Used after Serial #1752)			
Consists of:			
1	061276	Pin & Chain .....	1
2	061293	Inside Tube .....	1
3	061294	Outside Tube .....	1
4	061295	Crank Assembly .....	1
5	071271	Jack Repair Kit .....	1
(Includes a Crank Pin, Pushnut, Thrust Washer, Ball & Cage Bearing, Felt Spacer and a Support Washer)			





# RB1400 - REAR GATE WITH HYDRAULICS (Used Before Serial #1753)

IMPORTANT: Order by Part Number - DO NOT use Illustration Reference Numbers.



ALWAYS GIVE MODEL AND SERIAL NUMBER WHEN ORDERING SERVICE PARTS

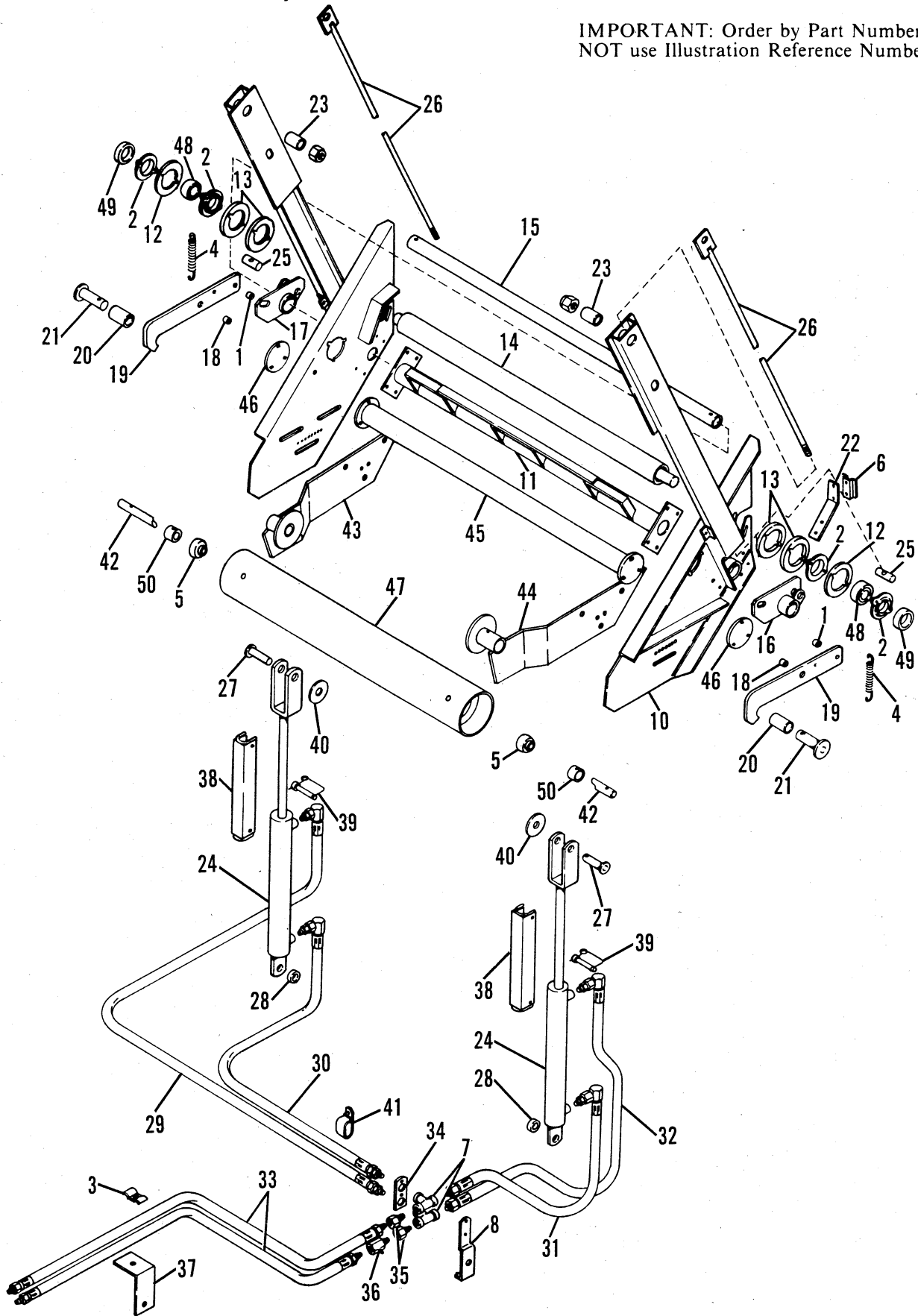
**RB1400 - REAR GATE WITH HYDRAULICS**  
**(Used Before Serial #1753)**

Ref. No.	Part No.	Part Name	No. Req.	Ref. No.	Part No.	Part Name	No. Req.
1	6H130	Bushing .....	2	26	066372	Gate Latch Sleeve .....	2
	650569	HHCS 1/2 x 1-3/4 .....	2	27	066373	Pin .....	2
		(2) 1/2 PW -			650535	HHCS 3/8 x 2-1/4 .....	2
		(2) 1/2 HLN w/Nylon Insert 068034				(2) 3/8 HLN	
2	H487	Bearing Retainer .....	4	28	066376	Emblem Bracket Mount .....	1
	650786	CB 3/8 x 1-1/4 .....	4		650486	HHCS 5/16 x 3/4 .....	2
		(4) 3/8 HN - (4) LW				(2) 5/16 HN - (2) LW	
3	H6094	Hose Clamp .....	1	29	066377	Gate Pivot Bushing .....	2
	650453	HHCS 1/2 x 1-1/2 .....	1		650914	HHCS 1" NF x 3-3/4 .....	2
		(1) 1/2 HLN w/Nylon Insert 068034				(2) 1" PW -	
4	H8334	Bearing Retainer .....	2			(2) 1" HLN w/Nylon Insert 066777	
5	U10014B	Spring .....	2	30	066378A	Hydraulic Gate Cylinder .....	2
6	047269	Slow-moving Vehicle Emblem			650913	HHCS 1" NF x 2-1/2 .....	2
		Bracket .....	1			(2) 1" PW -	
	650269	PTHMS 5/16 x 3/4 .....	2			(2) 1" HLN w/Nylon Insert 066777	
		(2) 5/16 HN - (2) LW		31	066379	Pivot Pin .....	2
7	059113	Female Pipe Tee - 1/4 .....	2	32	066380	Lift Rod .....	2
8	066181	Bearing Spacer .....	2			(2) 1/2 HLN w/Nylon Insert 068034	
9	066260	Junction Plate .....	1	33	066383	Pin .....	2
	650649	HHCS 3/4 x 2 .....	1		655022	Cotterpin 3/16 x 1-3/4 .....	2
		(1) 3/4 HN - (1) LW		34	066385	Cylinder Anchor Pivot .....	2
10	066309	Bearing Retainer .....	2	35	066424	Anchor End Hose - Right 1/4 x 130	1
11	066329	Gate - Right .....	1	36	066425	Rod End Hose - Right 1/4 x 112	1
	570009	Grease Fitting .....	1	37	066426	Rod End Hose - Left 1/4 x 72	1
	650545	HHCS 5/16 x 1-1/4 .....	1	38	066427	Anchor End Hose - Left 1/4 x 90	1
		(2) 5/16 HN		39	066428	Tractor Hose 3/8 x 100 .....	2
12	066332	Gate - Left .....	1	40	066429	Retainer Plate .....	1
	570009	Grease Fitting .....	1		650579	HHCS 3/8 x 1-3/4 .....	2
	650545	HHCS 5/16 x 1-1/4 .....	1			(2) 3/8 HLN	
		(2) 5/16 HN		41	066431	Reducing Connector .....	2
13	066345	Belt Guide .....	1	42	066432	Throttle Valve .....	1
	650490	HHCS 3/8 x 1 .....	8	43	066446	Hose Bracket .....	1
		(8) 3/8 LW - (8) HLN			650491	HHCS 3/8 x 1-1/4 .....	1
14	066350	Bearing Spacer .....	2			(1) 3/8 HN - (1) LW - (1) PW	
15	066351	Bearing Spacer .....	4	44	066449	Cylinder Lock .....	2
16	066352	Upper Tailgate Roller .....	2	45	066452	Lock Pin .....	4
17	066353	Penetrating Arm - Left .....	1	46	067491	Washer .....	2
18	066355	Penetrating Arm - Right .....	1	47	067880	Double Hose Clamp .....	5
19	066359	Tailgate Roller .....	1		650486	HHCS 5/16 x 3/4 .....	3
20	066362	Tailgate Roller Shaft .....	1			(3) 5/16 HN - (3) LW	
21	066363	Gate Lock Pivot Tube .....	1		650490	HHCS 3/8 x 1 .....	1
	650492	HHCS 3/8 x 2-1/2 .....	2		650491	HHCS 3/8 x 1-1/4 .....	1
		(2) 3/8 HLN				(2) 3/8 HN - (2) LW	
22	066364	Torsion Arm - Left .....	1	48	520065	Ball Bearing .....	4
23	066365	Torsion Arm - Right .....	1	49	520085	Bearing Lock Collar .....	6
24	066369	Gate Latch Bushing .....	2	50	520144	Ball Bearing .....	2
	650569	HHCS 1/2 x 1-3/4 .....	2				
		(2) 1/2 PW -					
		(2) 1/2 HLN w/Nylon Insert 068034					
25	066370	Gate Lock Arm .....	2				
	650545	HHCS 5/16 x 1-1/4 .....	2				
		(4) 5/16 HLN					

A To order Cylinder Seal Kit, specify Part #066551.

# RB1400 - REAR GATE WITH HYDRAULICS (Used After Serial #1752)

IMPORTANT: Order by Part Number - DO NOT use Illustration Reference Numbers.



ALWAYS GIVE MODEL AND SERIAL NUMBER WHEN ORDERING SERVICE PARTS

## RB1400 - REAR GATE WITH HYDRAULICS (Used After Serial #1752)

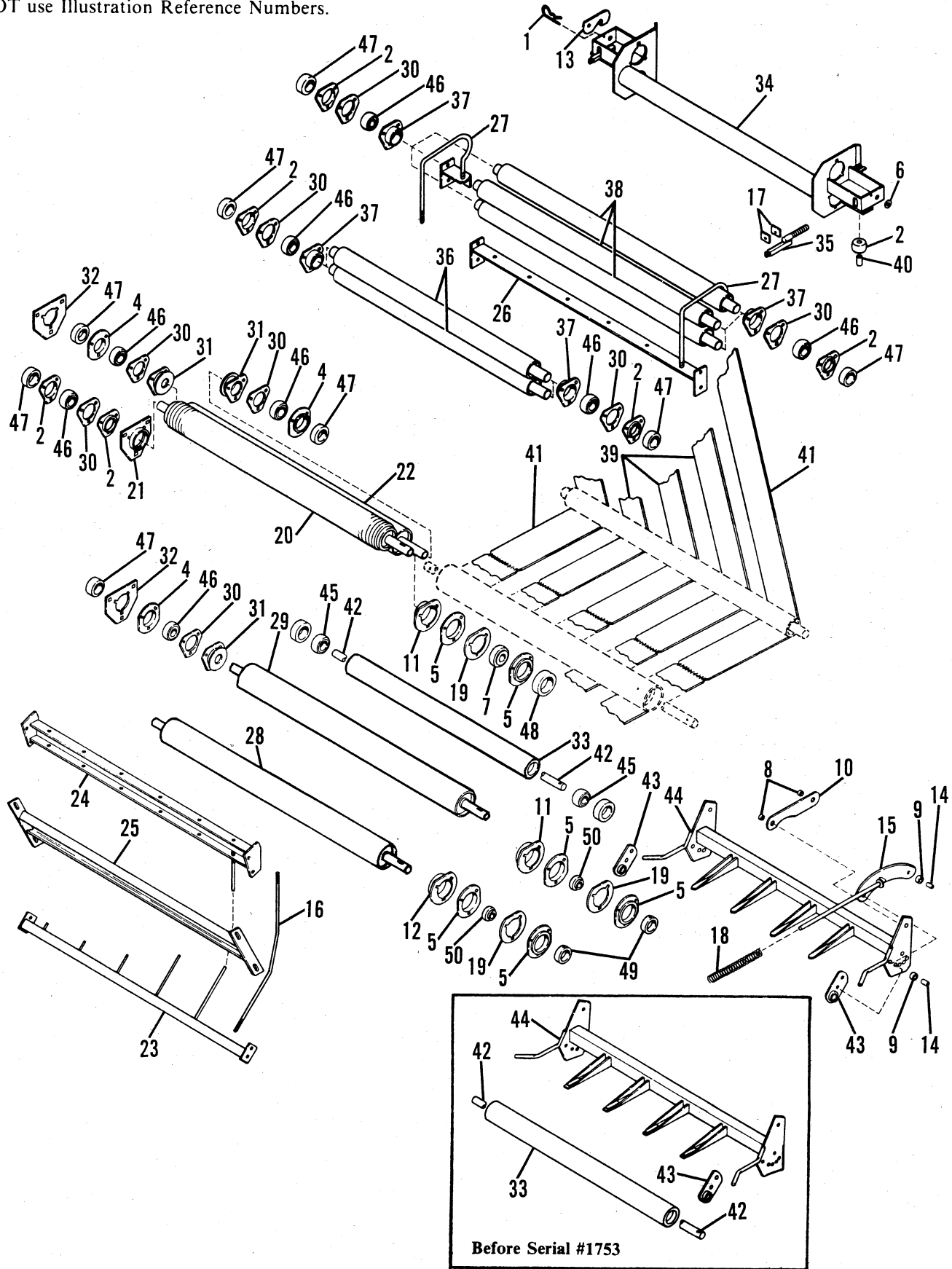
Ref. No.	Part No.	Part Name	No. Req.	Ref. No.	Part No.	Part Name	No. Req.
1	6H130	Bushing .....	2	24	066378A	Hydraulic Gate Cylinder.....	2
	650569	HHCS 1/2 x 1-3/4 .....	2		650913	HHCS 1" NF x 3-3/4 .....	2
		(2) 1/2 PW - (2) 1/2 HLN w/Nylon Insert				(2) 1" PW - (2) HLN w/Nylon Insert 066777	
	068034			25	066379	Pivot Pin .....	2
2	H487	Bearing Retainer .....	4	26	066380	Lift Rod .....	2
	650786	CB 3/8 1-1/4 .....	4			(2) 1/2 HLN w/Nylon Insert 068034	
		(4) 3/8 HN - (4) LW		27	066383	Pin .....	2
3	H6094	Hose Clamp .....	1		655022	Cotterpin 3/16 x 1-3/4 .....	2
	650453	HHCS 1/2 x 1-1/2 .....	1	28	066385	Cylinder Anchor Pivot .....	2
		(1) 1/2 HLN w/Nylon Insert 068034		29	066424	Anchor End Hose - Right 1/4 x 130	1
4	U10014B	Spring .....	2	30	066425	Rod End Hose - Right 1/4 x 112 .	1
5	041499	Ball Bearing .....	2	31	066426	Rod End Hose - Left 1/4 x 72 ...	1
6	047269	Slow-moving Vehicle Emblem		32	066427	Anchor End Hose - Left 1/4 x 90.	1
		Bracket .....	1	33	066428	Tractor Hose 3/8 x 100 .....	2
	650269	PTHMS 5/16 x 3/4 .....	2	34	066429	Retainer Plate.....	1
		(2) 5/16 HN - (2) LW			650579	HHCS 3/8 x 1-3/4 .....	2
7	059113	Female Pipe Tee - 1/4 .....	2			(2) 3/8 HLN	
8	066260	Junction Plate .....	1	35	066431	Reducing Connector .....	2
	650649	HHCS 3/4 x 2 .....	1	36	066432	Throttle Valve .....	1
		(1) 3/4 HN - (1) LW		37	066446	Hose Bracket .....	1
9	066329	Gate - Right .....	1		650491	HHCS 3/8 x 1-1/4 .....	1
	570009	Grease Fitting.....	1			(1) 3/8 HN - (1) LW - (1) PW	
	650545	HHCS 5/16 x 1-1/4 .....	1	38	066449	Cylinder Lock.....	2
		(2) 5/16 HN		39	066452	Lock Pin .....	4
10	066332	Gate - Left .....	1	40	067491	Washer.....	2
	570009	Grease Fitting.....	1	41	067880	Double Hose Clamp .....	5
	650545	HHCS 5/16 x 1-1/4 .....	1		650486	HHCS 5/16 x 3/4 .....	3
		(2) 5/16 HN				(3) 5/16 HN - (3) LW	
11	066345	Belt Guide.....	1		650490	HHCS 3/8 x 1 .....	1
	650490	HHCS 3/8 x 1 .....	8		650491	HHCS 3/8 x 1-1/4 .....	1
		(8) 3/8 LW - (8) HLN				(2) 3/8 HN - (2) LW	
12	066350	Bearing Spacer .....	2	42	069789	Tailgate Roller Shaft.....	1
13	066351	Bearing Spacer .....	4		650784	HHCS 5/16 x 2-3/4 .....	2
14	066352	Upper Tailgate Roller .....	1			(2) 5/16 HLN	
15	066363	Gate Lock Pivot Tube .....	1	43	069820	Gate Roller Arm - Right .....	1
	650492	HHCS 3/8 x 2-1/2 .....	2		650487	HHCS 5/16 x 1 .....	1
		(2) 3/8 HLN				(1) 5/16 HN - (1) LW	
16	066364	Torsion Arm - Left .....	1		650495	HHCS 1/2 x 1-1/4 .....	3
17	066365	Torsion Arm - Right.....	1			(3) 1/2 HN - (3) LW - (3) PW	
18	066369	Gate Latch Bushing.....	2	44	069824	Gate Roller Arm - Left.....	1
	650569	HHCS 1/2 x 1-3/4 .....	2		650487	HHCS 5/16 x 1 .....	1
		(2) 1/2 PW - (2) 1/2 HLN w/Nylon Insert				(1) 5/16 HN - (1) LW	
	068034				650495	HHCS 1/2 x 1-1/4 .....	3
		(3) 1/2 HN - (3) LW - (3) PW				(3) 1/2 HN - (3) LW - (3) PW	
19	066370	Gate Lock Arm .....	2	45	069835	Upper Torsion Tube .....	1
	650545	HHCS 5/16 x 1-1/4 .....	2	46	069837	Torsion Cover .....	2
		(4) 5/16 HN			650786	CB 3/8 x 1-1/4.....	6
20	066372	Gate Latch Sleeve .....	2			(6) 3/8 HN - (6) LW	
21	066373	Pin .....	2	47	070470	Tailgate Roller .....	1
	650535	HHCS 3/8 x 2-1/4 .....	2	48	520065	Ball Bearing .....	2
		(2) 3/8 HLN		49	520085	Bearing Lock Collar .....	2
22	066376	Emblem Bracket Mount .....	1	50	520093	Bearing Lock Collar .....	2
	650486	HHCS 5/16 x 3/4 .....	2				
		(2) 5/16 HN - (2) LW					
23	066377	Gate Pivot Bushing .....	2				
	650914	HHCS 1" NF x 2-1/2 .....	2				
		(2) 1" PW - (2) HLN w/Nylon Insert 066777					

A To order Cylinder Seal Kit, specify Part #066551.

ALWAYS GIVE MODEL AND SERIAL NUMBER WHEN ORDERING SERVICE PARTS

# RB1400 - UPPER BELTS & ROLLERS, SHUTTLE & BALE STARTER

IMPORTANT: Order by Part Number - DO NOT use Illustration Reference Numbers.



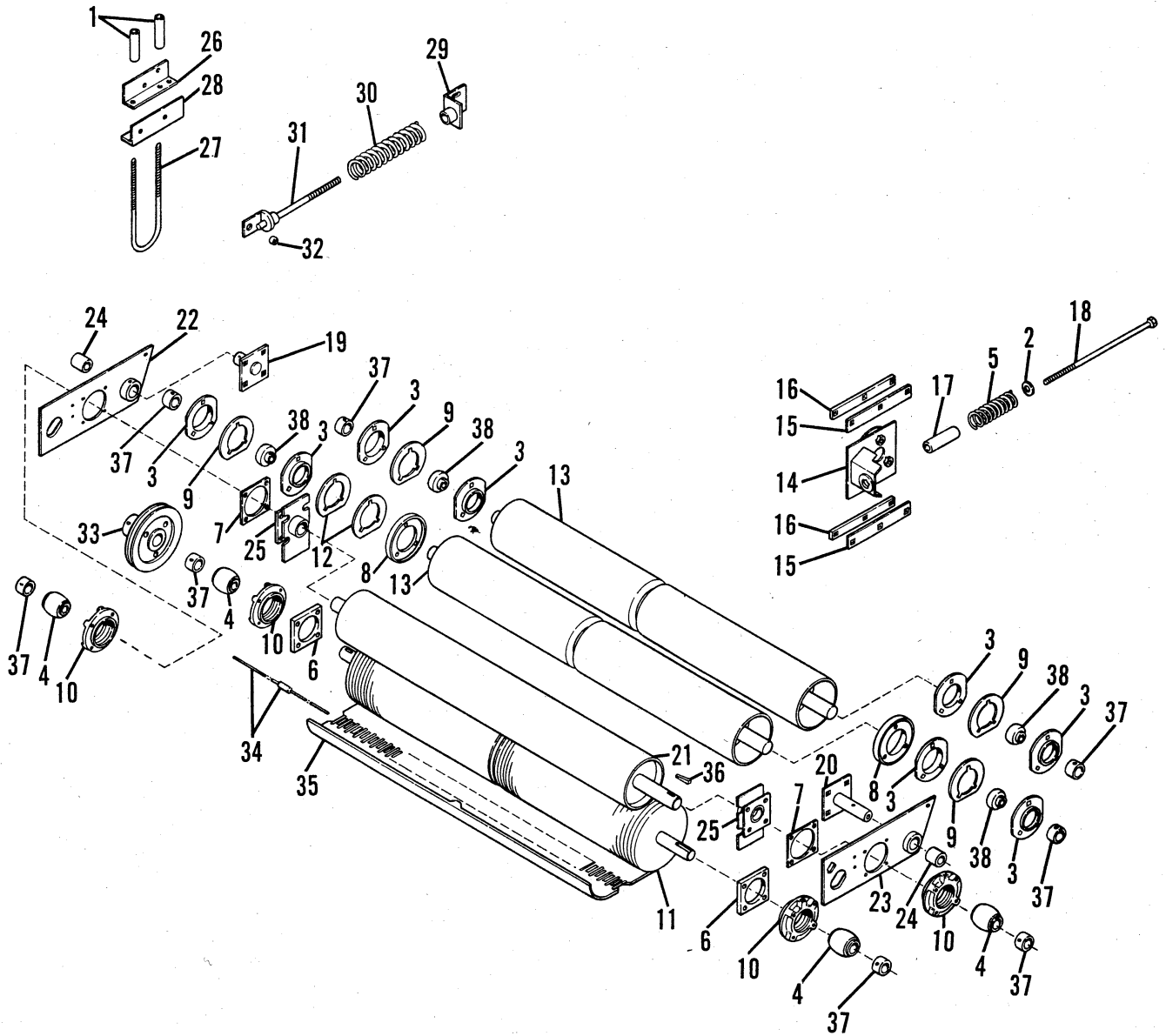
ALWAYS GIVE MODEL AND SERIAL NUMBER WHEN ORDERING SERVICE PARTS.

## RB1400 - UPPER BELTS & ROLLERS, SHUTTLE & BALE STARTER

Ref. No.	Part No.	Part Name	No. Req.	Ref. No.	Part No.	Part Name	No. Req.
1	9H300	Lockpin .....	2	27	066178	Guide Rear Rod.....	6
2	H8334	Bearing Retainer .....	12		(24) 1/2 HN		
	650704	CB 3/8 x 1 .....	21	28	066179	Center Drive Roller .....	1
	(21) 3/8 HN - (21) LW				655537	Woodruff Key 5/16 x 1-1/4....	1
3	R13058	Lift Screw Bearing.....	2	29	066180	Scraper Roller .....	1
	650496	HHCS 1/2 x 5 .....	2		655537	Woodruff Key 5/16 x 1-1/4....	1
	(2) 1/2 PW -			30	066181	Bearing Spacer .....	15
	(2) 1/2 HLN w/Nylon Insert 068034			31	066182	4" Roll Shield .....	4
4	R13227	Bearing Retainer .....	4		650490	HHCS 3/8 x 1 .....	6
	650704	CB 3/8 x 1 .....	12		650704	CB 3/8 x 1 .....	6
	(12) 3/8 HN - (12) LW - (12) PW				(12) 3/8 HN - (12) LW		
5	S16215	Bearing Retainer .....	6	32	066183	Plate.....	3
	650490	HHCS 3/8 x 1 .....	3		650490	HHCS 3/8 x 1 .....	3
	(3) 3/8 HN - (3) LW				650704	CB 3/8 x 1 .....	6
6	055142	Spring Washer .....	2		(9) 3/8 HN - (9) LW		
7	057179	Ball Bearing .....	1	33	066293	Bale Starter Roller.....	1
8	057185	Spacer .....	4	34	066295	Shuttle .....	1
9	057186	Spacer .....	4		650487	HHCS 5/16 x 1 .....	1
10	057187	Upper Link.....	2		(1) 5/16 HN - (1) LW		
	650579	HHCS 3/8 x 1-3/4 .....	2	35	066306	Chain Take-up .....	1
	(2) 3/8 PW - (4) HLN				(2) 3/4 HN		
11	057965	Roll Shield - Left.....	2	36	066308	Shuttle Roller .....	2
	650490	HHCS 3/8 x 1 .....	3	37	066309	62mm Bearing Retainer .....	10
	650786	CB 3/8 x 1-1/4.....	3		650490	HHCS 3/8 x 1 .....	6
	(6) 3/8 HN - (6) LW				650704	CB 3/8 x 1 .....	12
12	057967	4" Roll Shield - Left .....	1		(6) 3/8 HN - (6) LW - (12) HLN		
	650786	CB 3/8 x 1-1/4.....	3	38	066352	Rear Roller .....	3
	(3) 3/8 HN - (3) LW			39	066548	5" Baler Belt - Inside.....	3
13	057980	Shuttle Hook .....	2		(Includes Lacing Pin 066547)		
	650495	HHCS 1/2 x 1-1/4 .....	2	40	066656	Spacer .....	2
	(2) 1/2 HLN w/Nylon Insert 068034			41	068254	6" Baler Belt - Outside .....	2
14	058309	Spacer .....	4		(Includes Lacing Pin 059803)		
15	058537	Spring Guide Rod .....	2	42	069791	Bale Starter Roll Shaft .....	1
	650528	HHCS 3/8 x 2 .....	2		(Used after Serial #1752)		
	650492	HHCS 3/8 x 2-1/2 .....	2		066294	Bale Starter Roll Shaft .....	1
	(4) 3/8 PW - (8) HLN				(Used before Serial #1753)		
16	059650	Guide Front Rod.....	6		650706	HHCS 1/4 x 2 .....	1
	(24) 1/2 HN				(1) 1/4 HLN		
17	059720	Take-up Retainer.....	2	43	069797	Bale Starter Roll Support .....	2
18	061508	Bale Starter Spring .....	2		(Used after Serial #1752)		
19	061509	Bearing Retainer Shim .....	3		057195	Bale Starter Roll Support .....	2
20	066161	Upper Ticor Roller .....	1		(Used before Serial #1753)		
	655539	Woodruff Key 1/4 x 1-1/8....	1		650491	HHCS 3/8 x 1-1/4 .....	4
21	066162	Ticor Roll Shield - Right .....	1		(4) 3/8 HN - (4) LW		
	650490	HHCS 3/8 x 1 .....	6	44	069801	Bale Starter.....	1
	(6) 3/8 HN - (6) LW				(Used after Serial #1752)		
22	066164	Rewrap Roll .....	1		066290	Bale Starter.....	1
23	066165	Belt Front Guide .....	1		(Used before Serial #1753)		
	650490	HHCS 3/8 x 1 .....	4		650491	HHCS 3/8 x 1-1/4 .....	2
	(4) 3/8 HN - (4) LW				(2) 3/8 HN - (2) LW		
24	066167	Belt Top Front Guide.....	1	45	520062	Ball Bearing .....	2
	650490	HHCS 3/8 x 1 .....	4	46	520065	Ball Bearing .....	15
	(4) 3/8 HN - (4) LW			47	520085	Bearing Lock Collar .....	15
25	066170	Guard.....	1	48	520090	Bearing Lock Collar .....	1
	650490	HHCS 3/8 x 1 .....	4	49	520093	Bearing Lock Collar .....	2
	(4) 3/8 HN - (4) LW - (4) PW			50	520158	Ball Bearing .....	2
26	066175	Belt Guide.....	2				
	650491	HHCS 3/8 x 1-1/4 .....	8				
	(8) 3/8 HN - (8) LW - (2) PW						

# RB1400 - PLATFORM BELT & ROLLERS (Used Before Serial #1753)

IMPORTANT: Order by Part Number - DO NOT use Illustration Reference Numbers.



ALWAYS GIVE MODEL AND SERIAL NUMBER WHEN ORDERING SERVICE PARTS



## RB1400 - PLATFORM BELT & ROLLERS (Used Before Serial #1753)

Ref. No.	Part No.	Part Name	No. Req.	Ref. No.	Part No.	Part Name	No. Req.
1	D9128A	Front Idler Spacer .....	2	22	066204	Roll Arm - Right .....	1
2	M12234	Washer .....	2			(Includes 066208 Bushing)	
3	S16215	Bearing Retainer .....	8		570003	Grease Fitting .....	1
	650488	HHCS 3/8 x 3/4 .....	6	23	066205	Roll Arm - Left .....	1
	650491	HHCS 3/8 x 1-1/4 .....	3			(Includes 066208 Bushing)	
	(9) 3/8	HN - (9) LW			570002	Grease Fitting .....	1
4	041499	Ball Bearing .....	4	24	066208	Bushing .....	2
5	056344	Spring .....	2	25	066210	Slide .....	2
6	057958	9-1/2" Roller Plate .....	2	26	066213	Spring Anchor Support Bracket ..	1
7	057960	Conditioning Roll Spacer .....	2		650495	HHCS 1/2 x 1-1/4 .....	1
8	058329	Shield .....	2		(5) 1/2	HN - (1) LW - (4) PW	
9	061509	Bearing Retainer Shim .....	4	27	066214	U-Bolt .....	1
10	061809	Bearing Housing .....	4		(4) 1/2	HN - (2) PW	
	570003	Grease Fitting .....	3	28	066215	Roll Arm Stop Bracket .....	1
	570010	Grease Fitting .....	1		653010	HHCS 3/8 x 1 .....	2
	650533	HHCS 3/8 x 1-1/2 .....	8		(2) 3/8	HN - (2) LW	
	650579	HHCS 3/8 x 1-3/4 .....	8	29	066219	Spring Mount .....	2
	(8) 3/8	HN - (16) LW			650704	CB 3/8 x 1 .....	4
11	066184	Lower Belt Drive Roller .....	1		(4) 3/8	HN - (4) LW - (4) PW	
	650513	Woodruff Key 1/4 x 1 .....	1	30	066221	Compression Spring .....	2
12	066185	Bearing Retainer Shim .....	2	31	066222	Spring Guide Arm .....	2
13	066186	Lower Belt Idler Roller .....	2		650495	HHCS 1/2 x 1-1/4 .....	2
14	066187	Slide .....	2		(2) 1/2	PW - (4) HLN	
15	066193	Outer Slide .....	4	32	066226	Pivot Bushing .....	2
	650786	CB 3/8 x 1-1/4 .....	12	33	066524	Sheave .....	1
	(12) 3/8	HN - (12) LW			650213	SHSS 3/8 x 3/8 .....	2
16	066194	Inner Slide .....	4	34	066550A	Belt Lacing Pin .....	1
17	066195	Snubber .....	2	35	066556B	Platform Belt .....	1
18	066196	Belt Take-up Bolt 3/4 x 16 .....	2			(Includes 066550 Lacing Pin)	
19	066197	Jackshaft - Right .....	1	36	068734	Tapered Key .....	1
	650554	Cotterpin 1/4 x 2-1/4 .....	1	37	520093	Bearing Lock Collar .....	8
	650790	CB 3/8 x 3/4 .....	4	38	520158	Ball Bearing .....	4
	(4) 3/8	HLN					
20	066199	Jackshaft - Left .....	1				
	650790	CB 3/8 x 3/4 .....	4				
	(4) 3/8	HLN					
21	066202	Packing Roller .....	1				
	655536	Woodruff Key 3/8 x 1-1/4 .....	1				

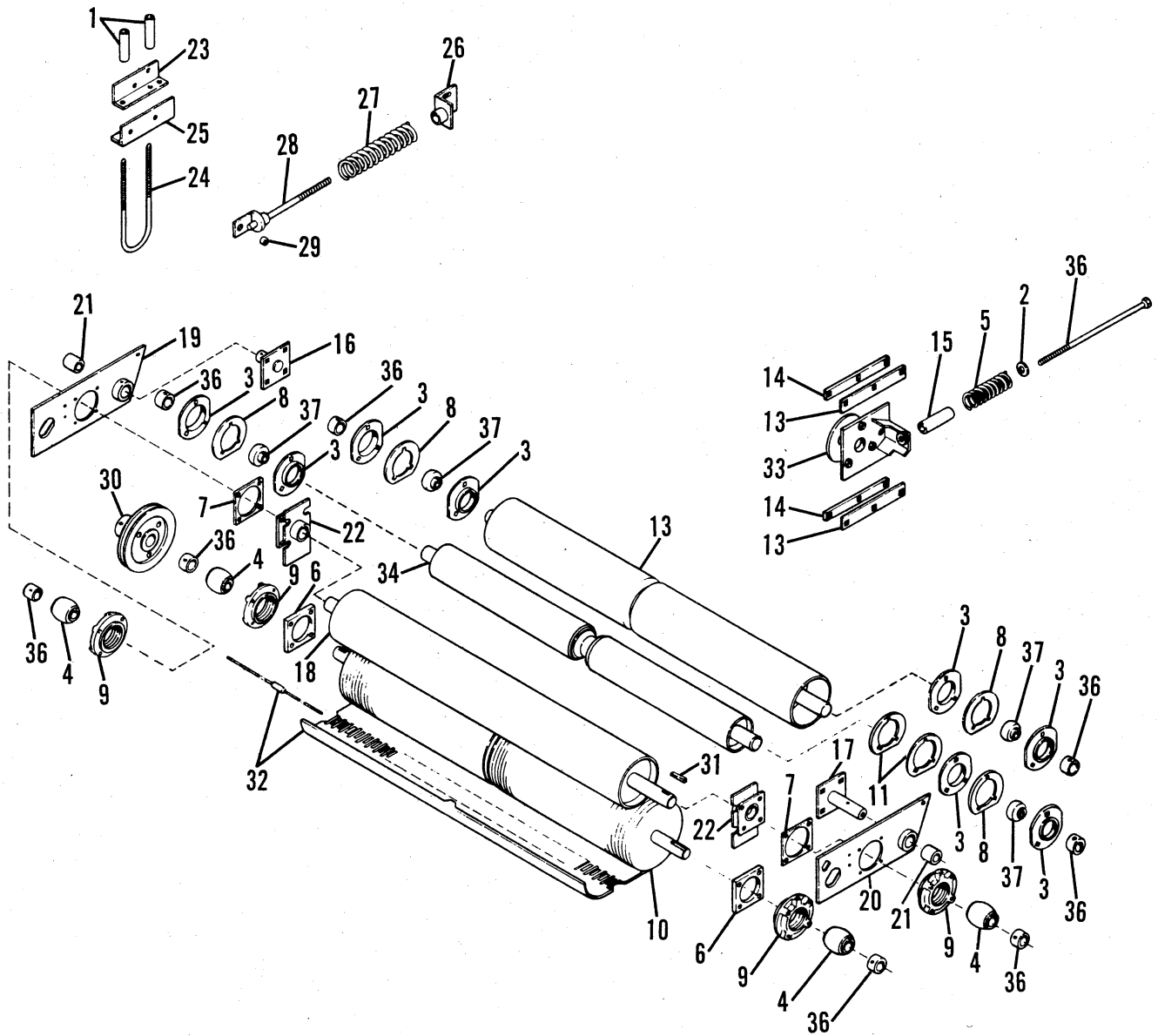
**A** Available only as part of Kit 901751.

**B** For Belt Repair, order Kit 067152, consisting of Two 901751 Pins & One 066781 Platform Belt Dutchman.

ALWAYS GIVE MODEL AND SERIAL NUMBER WHEN ORDERING SERVICE PARTS

# RB1400 - PLATFORM BELT & ROLLERS (Used After Serial #1752)

IMPORTANT: Order by Part Number - DO NOT use Illustration Reference Numbers.



ALWAYS GIVE MODEL AND SERIAL NUMBER WHEN ORDERING SERVICE PARTS

## RB1400 - PLATFORM BELT & ROLLERS (Used After Serial #1752)

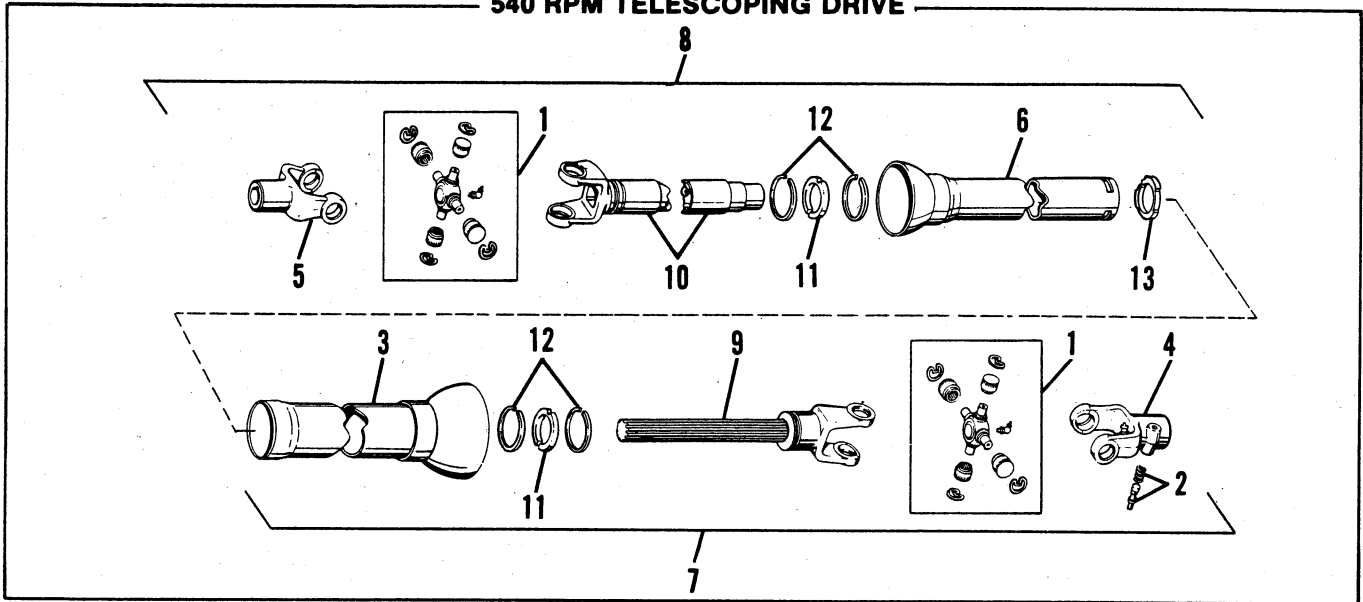
Ref. No.	Part No.	Part Name	No. Req.	Ref. No.	Part No.	Part Name	No. Req.
1	D9128A	Front Idler Spacer .....	2	20	066205	Roll Arm - Left .....	1
2	M12234	Washer .....	2			(Includes 066208 Bushing)	
3	S16215	Bearing Retainer .....	8		570002	Grease Fitting .....	1
	650488	HHCS 3/8 x 3/4 .....	6	21	066208	Bushing .....	2
	650491	HHCS 3/8 x 1-1/4 .....	3	22	066210	Slide .....	2
	(9) 3/8	HN - (9) LW		23	066213	Spring Anchor Support Bracket ..	1
4	041499	Ball Bearing .....	4		650495	HHCS 1/2 x 1-1/4 .....	1
5	056344	Spring .....	2		(5) 1/2	HN - (1) LW - (4) PW	
6	057958	9-1/2" Roller Plate .....	2	24	066214	U-Bolt .....	1
7	057960	Conditioning Roll Spacer .....	2		(4) 1/2	HN - (2) PW	
8	061509	Bearing Retainer Shim .....	4	25	066215	Roll Arm Stop Bracket .....	1
9	061809	Bearing Housing .....	4		653010	HHCS 3/8 x 1 .....	2
	570003	Grease Fitting .....	3		(2) 3/8	HN - (2) LW	
	570010	Grease Fitting .....	1	26	066219	Spring Mount .....	2
	650533	HHCS 3/8 x 1-1/2 .....	8		650704	CB 3/8 x 1 .....	4
	650579	HHCS 3/8 x 1-3/4 .....	8		(4) 3/8	HN - (4) LW - (4) PW	
	(8) 3/8	HN - (16) LW		27	066221	Compression Spring .....	2
10	066184	Lower Belt Drive Roller .....	1	28	066222	Spring Guide Arm .....	2
	650513	Woodruff Key 1/4 x 1 .....	1		650495	HHCS 1/2 x 1-1/4 .....	2
11	066185	Bearing Retainer Shim .....	2		(2) 1/2	PW - (4) HLN	
12	066186	Lower Belt Idler Roller .....	1	29	066226	Pivot Bushing .....	2
13	066193	Outer Slide .....	4	30	066524	Sheave .....	1
	650786	CB 3/8 x 1-1/4 .....	12		650213	SHSS 3/8 x 3/8 .....	2
	(12) 3/8	HN - (12) LW		31	068734	Tapered Key .....	1
14	066194	Inner Slide .....	4	32	069784A	Platform Belt .....	1
15	066195	Snubber .....	2			(Includes 066550 Lacing Pin)	
16	066197	Jackshaft - Right .....	1	33	069785	Slide .....	2
	650554	Cotterpin 1/4 x 2-1/4 .....	1	34	069790	4" Tracking Roller .....	1
	650790	CB 3/8 x 3/4 .....	4	35	069853	Belt Take-up Bolt 3/4 x 16 .....	2
	(4) 3/8	HLN		36	520093	Bearing Lock Collar .....	8
17	066199	Jackshaft - Left .....	1	37	520158	Ball Bearing .....	4
	650790	CB 3/8 x 3/4 .....	4				
	(4) 3/8	HLN					
18	066202	Packing Roller .....	1				
	655536	Woodruff Key 3/8 x 1-1/4 .....	1				
19	066204	Roll Arm - Right .....	1				
		(Includes 066208 Bushing)					
	570003	Grease Fitting .....	1				

**A** For Belt Repair, order Kit 067152, consisting of Two 901751 Pins & One 066781 Platform Belt Dutchman.

ALWAYS GIVE MODEL AND SERIAL NUMBER WHEN ORDERING SERVICE PARTS

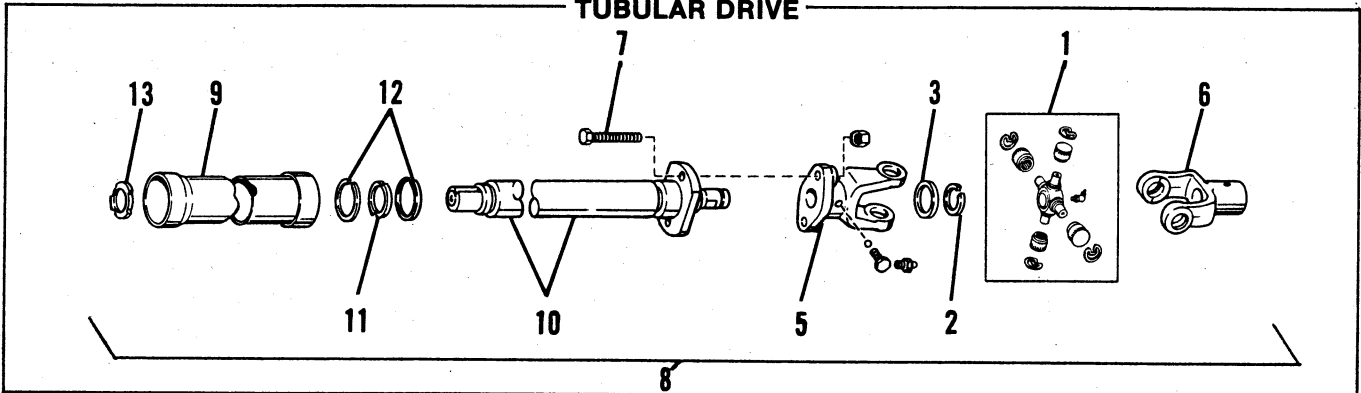
# RB1400 - UNIVERSAL DRIVES

## 540 RPM TELESCOPING DRIVE



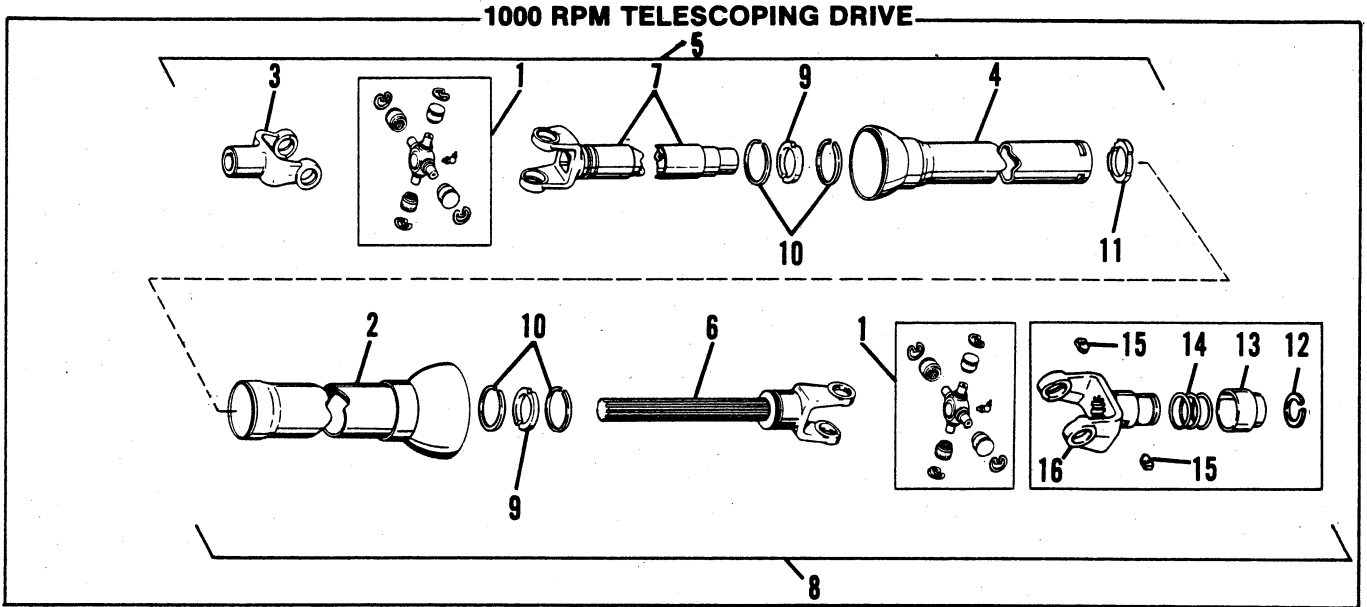
Ref. No.	Part No.	Part Name	No. Req.	Ref. No.	Part No.	Part Name	No. Req.
1	045327	Center Cross Kit	2	8	061125	Universal Joint w/Spline Tube - Assembled	1
	570014	Grease Fitting	2	9	061126	Yoke w/Spline Shaft	1
2	053865	Lockpin & Spring	1	10	061127	Yoke w/Spline Tube	1
3	055354	Female Guard	1	11	510023	Nylon Bearing	1
4	055355	Tractor Yoke (6 Spline)	1	12	510100	Bearing Retainer	4
5	055356	Yoke (1-5/16 Bore)	1	13	510215	Nylon Centralizer	1
6	055358	Male Guard	1				
7	061124	Universal Joint w/Spline Shaft - Assembled	1				

## TUBULAR DRIVE



Ref. No.	Part No.	Part Name	No. Req.	Ref. No.	Part No.	Part Name	No. Req.
1	045327	Center Cross Kit	2	8	066284	Tubular Drive - Assembled	1
	570014	Grease Fitting	2	9	066554	Guard Tube	1
2	045882	Retaining Ring	1	10	066555	Drive Shaft	1
3	045883	Washer	1	11	510023	Nylon Bearing	2
4	059579	Lube Fitting & Ball	1	12	510100	Bearing Retainer	2
5	059580	Shear Yoke	1	13	510215	Centralizer Bearing	1
6	059581	Yoke	1				
7	061700A	Shear Bolt 5/16 x 1-3/4 Grade 2 (540 RPM)	1	A		For Replacement 540 RPM Shear Bolts, order Kit 900015 (containing 8 Bolts).	
	066285B	Shear Bolt 5/16 x 1-1/2 Grade 2 (1000 RPM)	1	B		For Replacement 1000 RPM Shear Bolts, order Kit 902261 (containing 8 Bolts).	

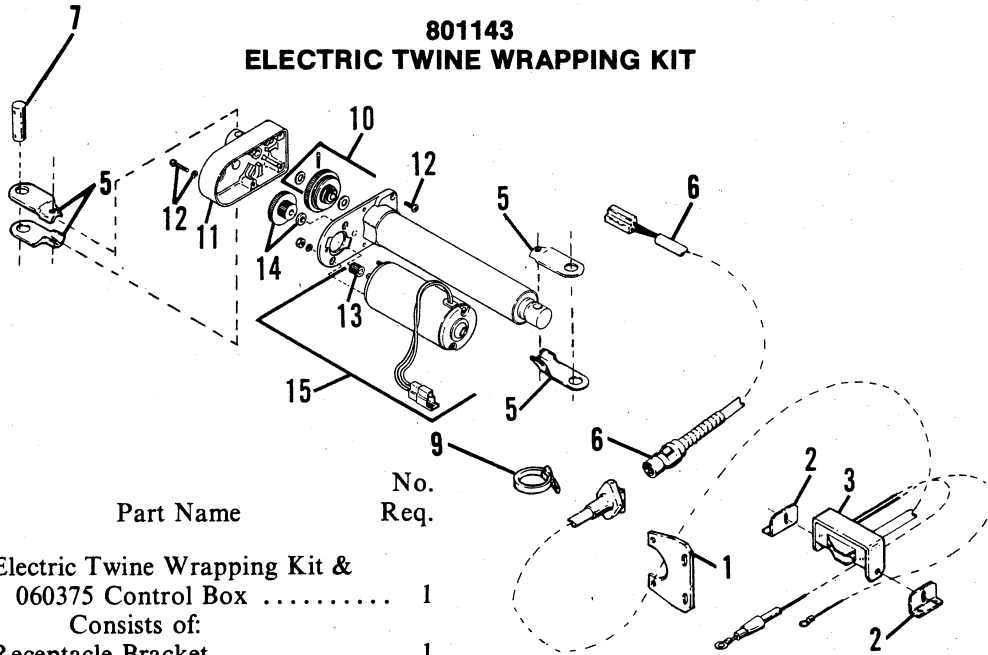
(1) 5/16 HLN



Ref. No.	Part No.	Part Name	No. Req.	Ref. No.	Part No.	Part Name	No. Req.
1	045327	Center Cross Kit .....	2	9	510023	Nylon Bearing .....	2
	570014	Grease Fitting .....	2	10	510100	Bearing Retainer .....	4
2	055354	Female Guard .....	1	11	510215	Nylon Centralizer .....	1
3	055356	Yoke - (1-5/16 Bore) .....	1	12	510226	Retaining Ring .....	1
4	055358	Male Guard .....	1	13	510227	Collar .....	1
5	061125	Universal Joint w/Spline Tube - Assembled .....	1	14	510228	Spring .....	1
6	061126	Yoke w/Spline Shaft .....	1	15	510229	Pawl .....	2
7	061127	Yoke w/Spline Tube .....	1	16	510233	Slide Lock Yoke .....	1
8	067173	Universal Joint w/Spline Shaft - Assembled .....	1				

# RB1400 - OPTIONS

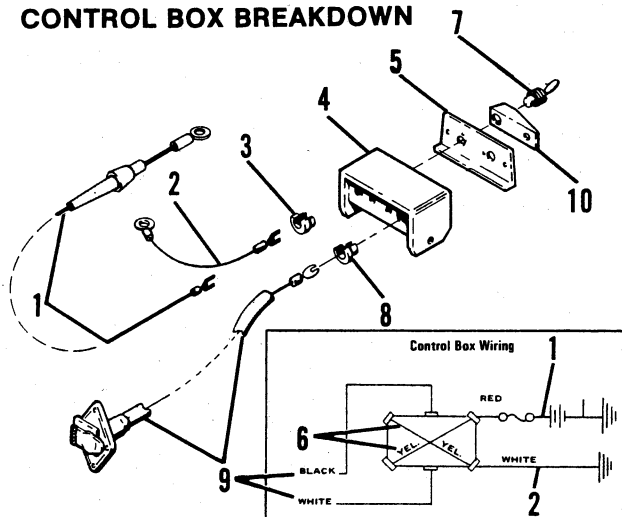
## 801143 ELECTRIC TWINE WRAPPING KIT



Ref. No.	Part No.	Part Name	No. Req.
	801143	Electric Twine Wrapping Kit & 060375 Control Box	1
		Consists of:	
1	059052	Receptacle Bracket	1
	650487	HHCS 5/16 x 1	2
		(2) 5/16 HN - (2) LW - (2) PW	
2	059053	Mounting Bracket	2
	650448	HHCS 1/4 x 3/4	4
		(4) 1/4 HN - (4) LW	
3	060375	Control Box - Assembled	1
	650260	PTHMS 1/4 x 1/2	2
		(2) 1/4 HN - (2) LW	
4	061058	Actuator - Assembled	1
5	061059	Yoke Clip	4
	650585	HHCS 1/2 x 2	2
		(2) 1/2 HLN	
6	061060	Power Cable	1
	650448	HHCS 1/4 x 3/4	2
		(2) 1/4 HN - (2) LW	
7	061061	Cylinder Pin	1
	655024	Cotterpin 3/16 x 2	2
8	061062	Wire Clamp	5
	650490	HHCS 3/8 x 1	3
		(3) 3/8 HLN - (3) PW	

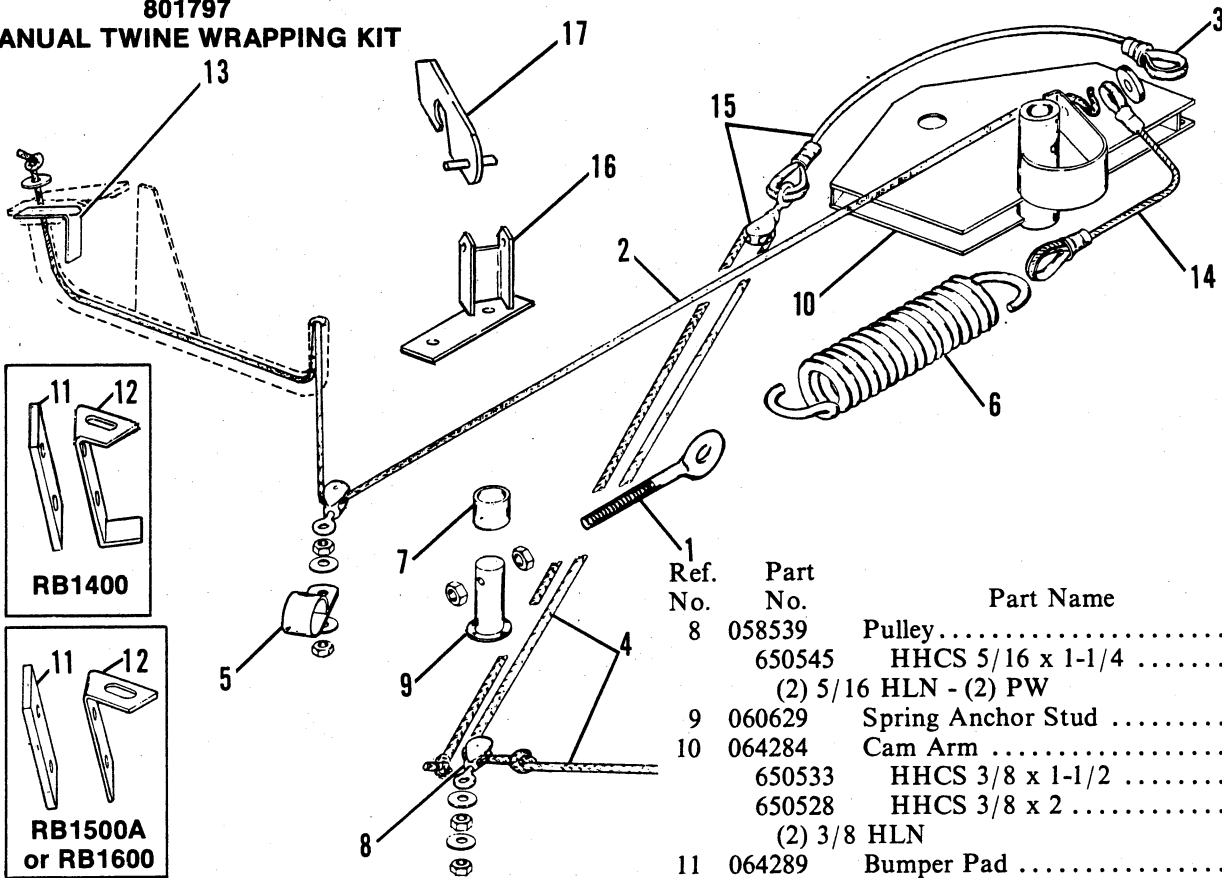
Ref. No.	Part No.	Part Name	No. Req.
9	063592	Wire Wrap	1
10	071099	Clutch Assembly	1
		(Includes One 72T Gear, One Pin and Two Shim Washers)	
11	071100	Rear Housing Assembly	1
12	071101	Screw Package	1
		(Includes Six 3/16 x 5/8 Phillips Head Screw and One 3/16 x 1 Phillips Head Screw & Two Lock Washers)	
13	071102	Pinion Gear	1
14	071103	Idler Gear	1
15	071104	Motor Assembly	1
		(Includes 071102 Gear)	

### CONTROL BOX BREAKDOWN



Ref. No.	Part No.	Part Name	No. Req.
	060375	Control Box - Assembled	1
		Consists of:	
1	057778	Power Cord	1
2	057779	Ground Cable	1
3	057781	Bushing	1
4	059055	Box	1
	650702	RHSMS #6 x 3/8	2
5	059059	Switch Plate	1
	650261	PTHMS 1/4 x 1/2	1
		(1) 1/4 HN - (1) LW - (3) PW	
6	059064	Cable (Yellow)	1
7	059299	Toggle Switch	1
8	059321	Strain Relief Bushing	1
9	060376	Tractor Cable	1
10	060972	Toggle Guard	1

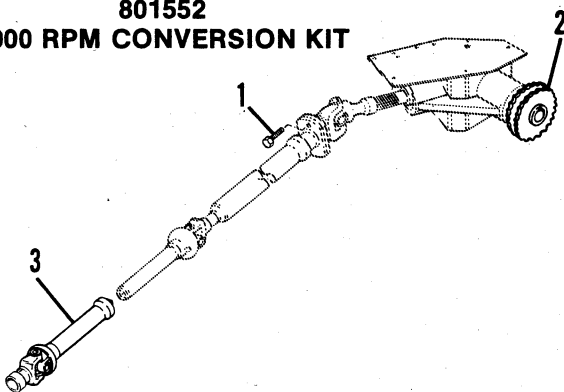
**801797  
MANUAL TWINE WRAPPING KIT**



Ref. No.	Part No.	Part Name	No. Req.
	801797	Manual Twine Wrapping Kit.....	1
		Consists of:	
1	17H281	Eyebolt (RB1500A or 1600).....	1
	068419	Eyebolt (RB1400).....	1
		(2) 3/8 HN	
2	H6080B	Cord - 3/16 x 72 .....	1
3	M12118	Washer.....	1
	650491	HHCS 3/8 x 1-1/4 .....	1
		(1) 3/8 HLN	
4	052040	Cord - 5/16 x 204 .....	1
5	056773	Hose Clamp .....	1
6	057174	Spring .....	1
7	058197	Pipe Spacer.....	1

Ref. No.	Part No.	Part Name	No. Req.
8	058539	Pulley.....	2
	650545	HHCS 5/16 x 1-1/4 .....	2
		(2) 5/16 HLN - (2) PW	
9	060629	Spring Anchor Stud .....	1
10	064284	Cam Arm .....	1
	650533	HHCS 3/8 x 1-1/2 .....	1
	650528	HHCS 3/8 x 2 .....	1
		(2) 3/8 HLN	
11	064289	Bumper Pad .....	1
12	064290	Bumper Plate .....	1
		(RB1500A or 1600)	
	068418	Bumper Plate (RB1400) .....	1
	650487	HHCS 5/16 x 1 .....	2
		(2) 5/16 HLN - (2) PW	
	650453	HHCS 1/2 x 1-1/2 .....	1
		(1) 1/2 LW - (1) PW	
13	064291	Knife Spacer.....	1
14	064292	Cable .....	1
	650491	HHCS 3/8 x 1-1/4 .....	1
		(1) 3/8 HLN	
15	064293	Cable w/Pulley.....	1
16	068412	Hook Pivot (RB1400 Only) .....	1
17	068415	Hook (RB1400 Only) .....	1
	650547	HHCS 5/16 x 3-1/2 .....	1
		(1) 5/16 HLN	

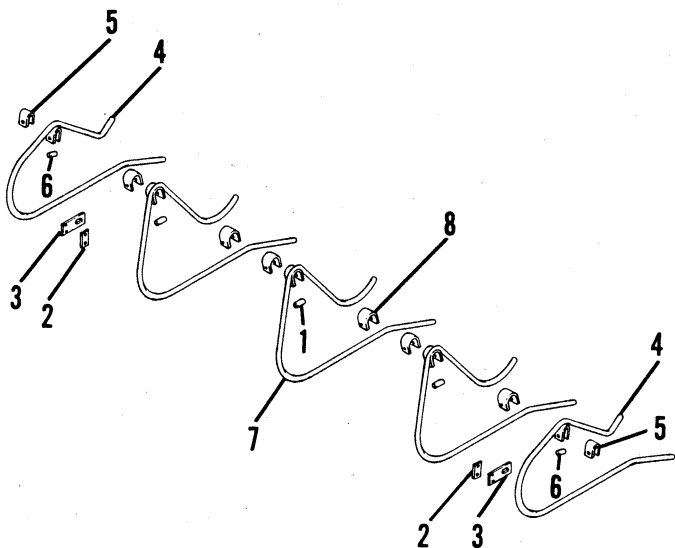
**801552  
1000 RPM CONVERSION KIT**



Ref. No.	Part No.	Part Name	No. Req.
	801552	1000 RPM Conversion Kit.....	1
		Consists of:	
1	066285A	Shear Bolt 5/16 x 1-1/2 .....	7
		Grade 2	
		(7) 5/16 HLN	
2	067170	Double Sprocket (14/14T) .....	1
3	067173B	Universal Joint w/Spline Shaft - Assembled .....	1

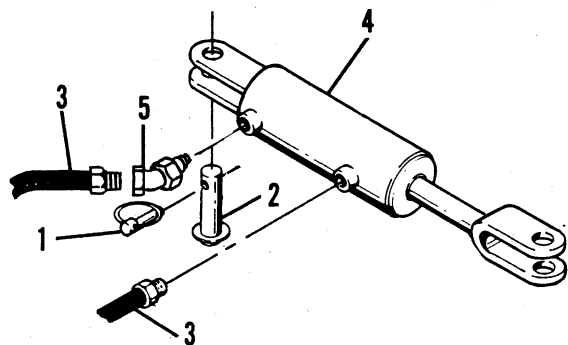
**A** For Replacement Shear Bolts, order Kit #902261 (containing 8 Bolts).  
**B** For Component Break down, refer to Universal Drives section of this manual.

**066779  
LIGHT CROP HOLD-DOWN KIT**



Ref. No.	Part No.	Part Name	No. Req.
	066779	Light Crop Hold-down Kit .....	1
		Consists of:	
1	043616	Spacer .....	3
2	058705	Strap .....	2
3	067157	Stop .....	2
	650426	HHCS 1/4 x 1-1/4 .....	4
		(4) 1/4 HN - (4) LW	
4	067159	Tine - Outside.....	2
	650577	HHCS 5/16 x 1-1/2 .....	2
		(2) 5/16 HLN	
5	067160	Clamp .....	2
	650545	HHCS 5/16 x 1-1/4 .....	2
		(2) 5/16 HLN	
6	067162	Spacer .....	2
7	067163	Light Crop Tine .....	3
	650568	HHCS 5/16 x 2 .....	3
		(3) 5/16 HLN	
8	067165	Clamp .....	6
	650568	HHCS 5/16 x 2 .....	6
		(6) 5/16 HLN	

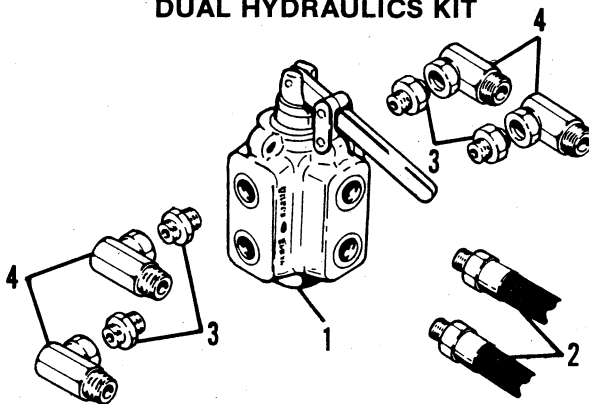
**801611  
HYDRAULIC TWINE WRAPPING KIT**



Ref. No.	Part No.	Part Name	No. Req.
1	060471	Klick Pin .....	1
2	060626A	Hydraulic Cylinder .....	1
3	060629	Pin .....	1
4	066428	Hose.....	2
5	580055	45° Union Fitting .....	1

A To order Cylinder Seal Kit, specify Part #060627.

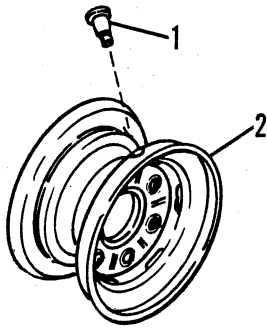
**801087  
DUAL HYDRAULICS KIT**



Ref. No.	Part No.	Part Name	No. Req.
	801087	Dual Hydraulics Kit .....	1
		Consists of:	
1	060597	Double Selector Valve .....	1
	650818	HHCS 3/8 x 3 .....	2
		(2) 3/8 HN - (3) LW	
2	060598	Hose.....	2
3	060599	Pipe Nipple - 3/4 Hex.....	4
4	060600	Pipe Union .....	4

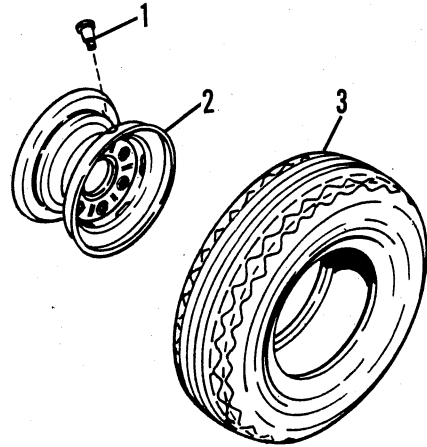


**850180  
WHEEL SET**



Ref. No.	Part No.	Part Name	No. Req.
	850180	15 x 6:00 DC Wheel Set .....	1
		Consists of:	
1	045581	Tire Valve .....	2
2	550033	15 x 6:00 Wheel .....	2

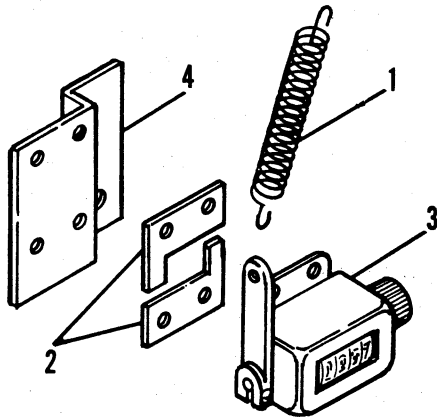
**801535  
WHEEL & TIRE SET**



Ref. No.	Part No.	Part Name	No. Req.
	801535	15 x 8:00 D.C. Wheel w/8-Ply 9.5L x 15 Tire Set .....	1
		Consists of:	
1	045581	Tire Valve .....	2
2	048060	15 x 8:00 Wheel .....	2
3	065754A	Tubeless 9.5L x 15 8-Ply Tire ....	2

**A** Tires Not Available separately; order new Wheel w/Tire or purchase new Tire locally.

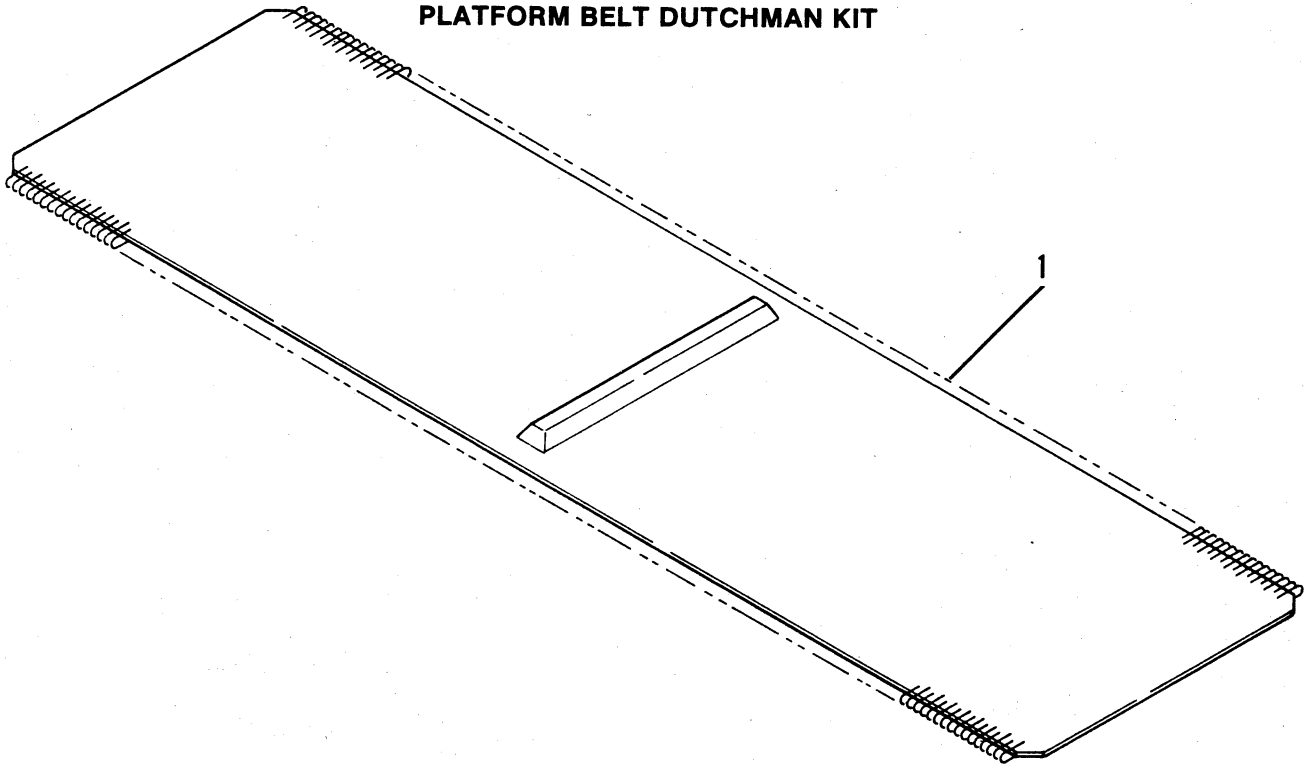
**801782  
BALE COUNTER KIT**



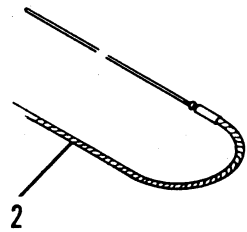
Ref. No.	Part No.	Part Name	No. Req.
	801782	Bale Counter Kit .....	1
		Consists of:	
1	17H387	Spring .....	1
	650426	HHCS 1/4 x 1-1/4 .....	1
		(1) 1/4 HN	
	650618A	HWHSTS 5/16 x 5/8 .....	1
2	066764	Bracket .....	2
	650618A	HWHSTS 5/16 x 5/8 .....	4
3	066765	Counter .....	1
4	068210A	Counter Base .....	1

**A** Not Used on RB1400 Baler.

**067152  
PLATFORM BELT DUTCHMAN KIT**



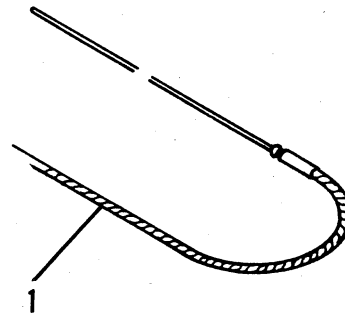
Ref. No.	Part No.	Part Name	No. Req.
	067152	Platform Belt Dutchman Kit . . . . .	1
		Consists of:	
1	066781	Belt Dutchman . . . . .	1
2	901751	Pin . . . . .	2



**IMPORTANT: Order by Part Number - DO NOT use Illustration Reference Numbers.**

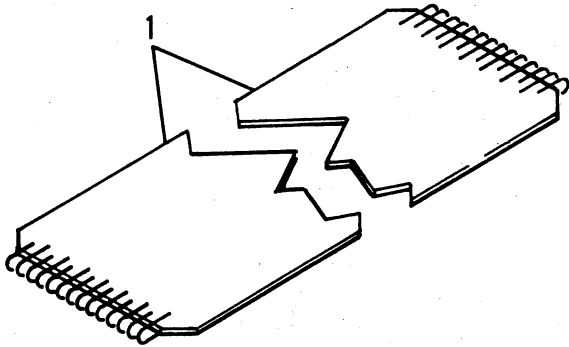
**901751  
72" PLATFORM BELT LACING PIN KIT**

Ref. No.	Part No.	Part Name	No. Req.
	901751	72" Platform Belt Lacing Pin Kit . . . . .	1
		Consists of:	
1	901751	72" Platform Belt Lacing Pin . . . . .	1



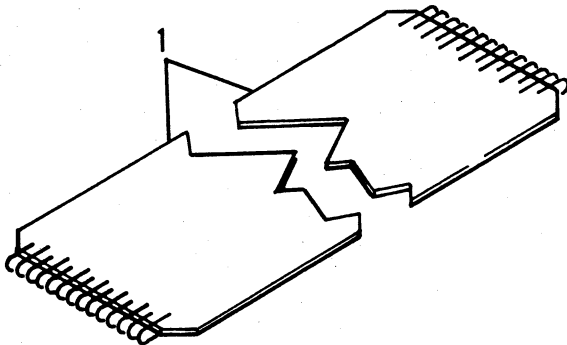
**ALWAYS GIVE MODEL AND SERIAL NUMBER WHEN ORDERING SERVICE PARTS**

**066782**  
**5" UPPER BELT DUTCHMAN KIT**



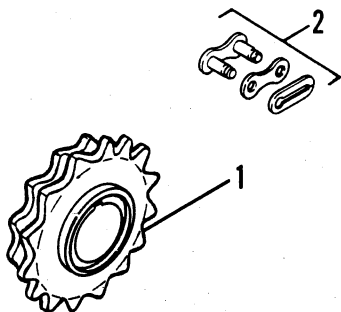
Ref. No.	Part No.	Part Name	No. Req.
	066782	5" Upper Belt 36" Dutchman Kit .	1
		Consists of:	
1	066782	5" Upper Belt Dutchman .....	1

**059802**  
**6" UPPER BELT DUTCHMAN KIT**



Ref. No.	Part No.	Part Name	No. Req.
	059802	6" Upper Belt Dutchman Kit .....	1
		Consists of:	
1	059802	6" Upper Belt 36" Dutchman .....	1

**066780**  
**SLOW-DOWN SPROCKET KIT**

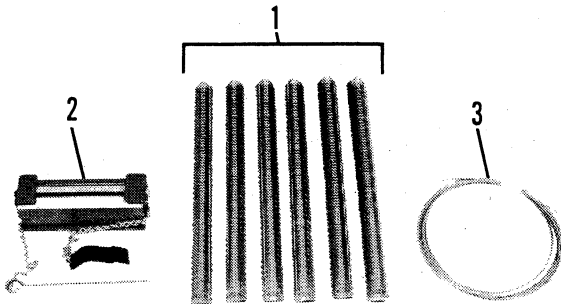


Ref. No.	Part No.	Part Name	No. Req.
	066780	Slow-down Sprocket Kit .....	1
		Consists of:	
1	067166	Sprocket (21T) .....	1
2	500160	Plain Coupler (#60) .....	2

ALWAYS GIVE MODEL AND SERIAL NUMBER WHEN ORDERING SERVICE PARTS

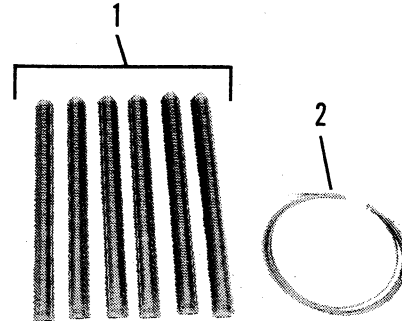
# RB1400 - ACCESSORIES

## 801086 RE-LACING KIT



Ref. No.	Part No.	Part Name	No. Req.
	801086	Re-lacing Kit .....	1
		Consists of:	
1	058398	#4-1/2 Clipper Hook Card .....	6
2	059826	Vice Lacer .....	1
3	060345	Cable - 72\" .....	1

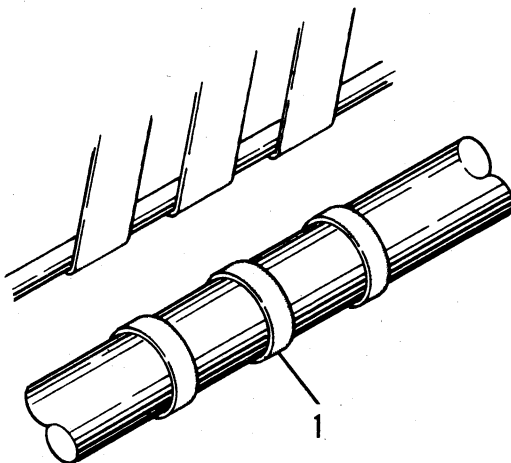
## 901733 LACING KIT



Ref. No.	Part No.	Part Name	No. Req.
	901733	Lacing Kit .....	1
		Consists of:	
1	058398	#4-1/2 Clipper Hook .....	6
2	060345	Cable - 72\" .....	1

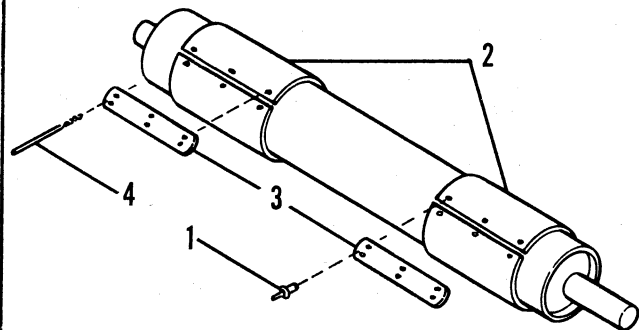
IMPORTANT: Order by Part Number - DO NOT use Illustration Reference Numbers.

## 901716 ROLLER FRICTION SURFACE KIT



Ref. No.	Part No.	Part Name	No. Req.
	901716	Roller Friction Surface Kit .....	1
		Consists of:	
1	060059	Friction Strip .....	6

## 068633 PACKING ROLLER LAGGING KIT



Ref. No.	Part No.	Part Name	No. Req.
	068633	Packing Roller Lagging Kit .....	1
		Consists of:	
1	068846	Rivet .....	36
2	068847	Lagging .....	2
3	068848	Strip Cover .....	4
4	068849	Drill Bit - 13/64 Dia. ....	1

ALWAYS GIVE MODEL AND SERIAL NUMBER WHEN ORDERING SERVICE PARTS

# NUMERICAL INDEX

Part No.	Page No.	Part No.	Page No.	Part No.	Page No.	Part No.	Page No.
13H59	21,23	049261	17	058326	6,8	060375	38
6H130	27,29		<b>050000</b>	058328	13	060376	38
C133	18	052040	39	058329	33	060387	6,8
9H240	21,23	052205	23	058398	44	060471	40
9H253	11,13	052588	6,8	058421	13	060483	7,9
17H281	39	052595	10	058453	13	060514	6,8
9H300	10,13,17	053688	17	058489	21,23	060515	19
	18,31	053865	36	058493	21,23	060516	19
17H349	21,23	054161	19	058537	31	060597	40
17H387	41	054959	11	058538	10	060598	40
H487	27,29	055098	21,23	058539	18,39	060599	40
D932A	13	055142	31	058705	40	060600	40
H6080B	39	055354	36,37	059052	38	060626	40
H6094	13,27,29	055355	36	059053	38	060627	40
H6172	13	055356	36,37	059055	38	060629	39,40
H7165	10	055358	36,37	059059	38	060759	13
H7812	21,23	055447	21,23	059064	38	060760	13
H8054	13	055458	21,23	059113	27,29	060972	38
H8334	10,17,27	055682	24	059272	13	060979	13
	31	055690	13	059299	38	061006	13
H8353A	10	055691	13	059321	38	061019	15,24
H8354	17	055692	13	059554	19	061050	11
D9128A	33,35	056145	18	059562	19	061052	11
D9130	21,23	056148	21	059563	19	061058	38
U10014B	27,29	056211	13	059564	19	061059	38
U10063	18,21,23	056336	10	059565	19	061060	38
B11069	11	056344	33,35	059566	19	061061	38
B11090	18	056345	21,23	059567	19	061062	38
B11162B	17,21,23	056349	17	059569	19	061124	13,36
B11201A	10	056773	11,39	059572	19	061125	13,36,37
B11433A	10	057174	39	059574	19	061126	36,37
M12118	17,39	057179	31	059579	36	061127	36,37
M12234	33,35	057185	31	059580	36	061276	24
M12361	11	057186	31	059581	36	061293	24
R13058	31	057187	31	059650	31	061294	24
R13227	31	057195	31	059692	13	061295	24
C14061A	6,7,8,9	057350	21,23	059694	6,8	061341	24
S16215	31,33,35	057351	21,23	059708	11	061342	24
	<b>040000</b>	057370	10	059709	11	061501	17
040057	13	057422	11	059720	31	061508	17,31
040727	17	057512	17	059721	11,13	061509	31,33,35
040860	6,8,17	057570	13	059722	13	061529	18
041155	10	057617	21,23	059754	13	061687	13
041499	29,33,35	057705	10	059756	13	061700	13,36
043616	40	057778	38	059757	13	061708	11
044116	6,8,11	057779	38	059765	13	061712	11
	13	057781	38	059766	13	061809	33,35
045327	36,37	057911	13,15	059767	11	061833	6,8
045581	41	057919	11	059773	13	061853	18
045882	36	057920	11	059794	11	062102	21,23
045883	36	057945	6,8	059799	11	062871	6,9
045998	13	057958	33,35	059802	43	063592	38
046000	13	057960	33,35	059826	44	064284	39
046001	13	057965	31		<b>060000</b>	064290	39
046754	13	057967	31	060059	44	064291	39
047269	27,29	057980	31	060171	17	064292	39
047956	18	058138	21,23	060295	13	064293	39
048060	41	058197	39	060302	11	065674	13
048459	21,23	058309	31	060345	44	065675	18

# NUMERICAL INDEX

Part No.	Page No.	Part No.	Page No.	Part No.	Page No.	Part No.	Page No.
065679	18	066215	21,23,33	066345	27,29	066449	27,29
065680	18		35	066350	27,29	066452	27,29
065700	18	066218	21,23	066351	27,29	066453	7
065703	18	066219	33,35	066352	27,29,31	066456	7,9
065708	18	066221	33,35	066353	27	066457	7
065711	18	066222	33,35	066355	27	066462	7,9
065715	18	066226	33,35	066359	27	066463	11
065718	18	066227	7,9	066362	27	066467	7,9
065719	18	066228	7,9	066363	27,29	066468	7,9
065721	13	066229	7,9	066364	27,29	066469	7
065728	19	066230	7,9	066365	27,29	066470	7,9
065730	19	066231	7,9	066369	27,29	066471	7
065731	19	066232	7,9	066370	27,29	066472	7,9
065754	41	066244	7,9	066372	27,29	066473	7,9
065862	7,9	066245	13,19	066373	27,29	066474	17
066116	7	066246	19	066375	7,9	066479	17
066127	7	066252	19	066376	27,29	066480	17
066151	15	066253	19	066377	27,29	066481	17
066153	10	066254	19	066378	27,29	066483	17
066154	10	066255	13	066379	27,29	066484	17
066155	10	066260	27,29	066380	27,29	066487	17
066156	10	066261	11	066383	27,29	066488	17
066157	10	066263	11	066385	27,29	066489	17
066158	10	066267	13	066386	21,23	066490	17
066160	10	066269	13	066387	21	066491	17
066161	31	066273	11	066389	10	066492	17
066162	31	066274	11	066392	21,23	066493	17
066164	31	066275	11	066393	21,23	066499	17
066165	31	066276	13	066395	21,23	066501	17
066167	31	066278	13	066396	15	066502	17
066170	31	066279	13	066397	21,23	066503	17
066172	10	066280	13	066398	21,23	066508	17
066173	10	066281	15	066402	21,23	066511	17
066174	10	066284	15,36	066405	21	066512	17
066175	31	066285	13,36,39	066409	21,23	066517	17
066178	31	066286	7,9	066412	21,23	066519	17
066179	31	066289	7,9	066413	21,23	066521	17
066180	31	066290	31	066414	21,23	066524	17,33,35
066181	10,27,31	066293	31	066415	21,23	066526	17
066182	31	066294	31	066417	21,23	066528	17
066183	31	066295	31	066418	21,23	066531	17
066184	33,35	066306	31	066419	21,23	066532	17
066185	33,35	066308	31	066420	7	066533	17
066186	33,35	066309	27,31	066423	7	066536	18
066187	33	066310	10	066424	27,29	066537	18
066193	33,35	066312	10	066425	27,29	066540	18
066194	33,35			066426	27,29	066542	18
066195	33,35	066314	10	066427	27,29	066543	18
066196	33	066315	10	066428	27,29,40	066544	18
066197	33,35	066316	10	066429	27,29	066545	21,23
066199	33,35	066317	10	066431	27,29	066547	31
066202	33,35	066318	10	066432	27,29	066548	31
066203	7,9	066319	10	066433	17	066550	33,35
066204	33,35	066322	10	066440	17	066551	27,29
066205	33,35	066325	10	066444	17	066554	36
066208	33,35	066326	10	066445	17	066555	36
066210	33,35	066328	10	066446	27,29	066556	33
066213	33,35	066329	27,29	066447	7,9	066567	17
066214	33,35	066332	27,29	066448	7,9	066651	15

# NUMERICAL INDEX

Part No.	Page No.	Part No.	Page No.	Part No.	Page No.
066656	31	069832	11	<b>600000</b>	
066758	7,9	069835	29	666002	15
066761	7,9	069837	29	<b>800000</b>	
066764	41	069838	15	801086	44
066765	41	069842	9	801087	40
066779	40	069843	9	801143	38
066780	43	069846	23	801535	41
066781	33,35,42	069847	23	801552	39
066782	43	069850	23	801612	40
067152	42	069853	35	801782	41
067157	40	<b>070000</b>		801797	39
067159	40	070071	11	850180	41
067160	40	070072	23	<b>900000</b>	
067162	40	070470	29	900015	15,36
067163	40	070870	23	900091	11
067165	40	071099	38	901716	44
067166	43	071100	38	901733	44
067170	19,39	071101	38	901751	33,35,42
067173	13,37,39	071102	38	902261	15,36,39
067491	27,29	071103	38		
067516	17	071104	38		
067879	18	071117	15,24		
067880	27,29	071271	24		
068122	21,23	071289	24		
068123	21	071290	23		
068189	17	<b>500000</b>			
068210	41	500160	21,23,43		
068254	31	500161	21,23		
068335	13,19	510023	36,37		
068412	39	510100	36,37		
068415	39	510215	36,37		
068418	39	510226	37		
068419	39	510227	37		
068633	44	510228	37		
068734	33,35	510229	37		
068846	44	510233	37		
068847	44	510000	19		
068848	44	520054	13,15		
068849	44	520062	31		
068921	23	520065	10,17,27,29,31		
069785	35	520066	5		
069789	29	520066	15		
069790	35	520085	17,27,29,31		
069791	31	520090	31		
069792	23	520093	29,31,33,35		
069793	23	520135	15		
069794	23	520136	15		
069795	9	520144	27		
069796	9	520158	31,33,35		
069797	31	520175	17		
069800	9	520199	13,15		
069801	31	520200	15		
069807	9	520201	15		
069816	9	550033	41		
069820	29	580055	40		
069824	29				
069826	9				
069830	9				

---

# **GEHL®**

---

# **FARM EQUIPMENT**

**GEHL COMPANY WEST BEND, WISCONSIN 53095 U.S.A.**