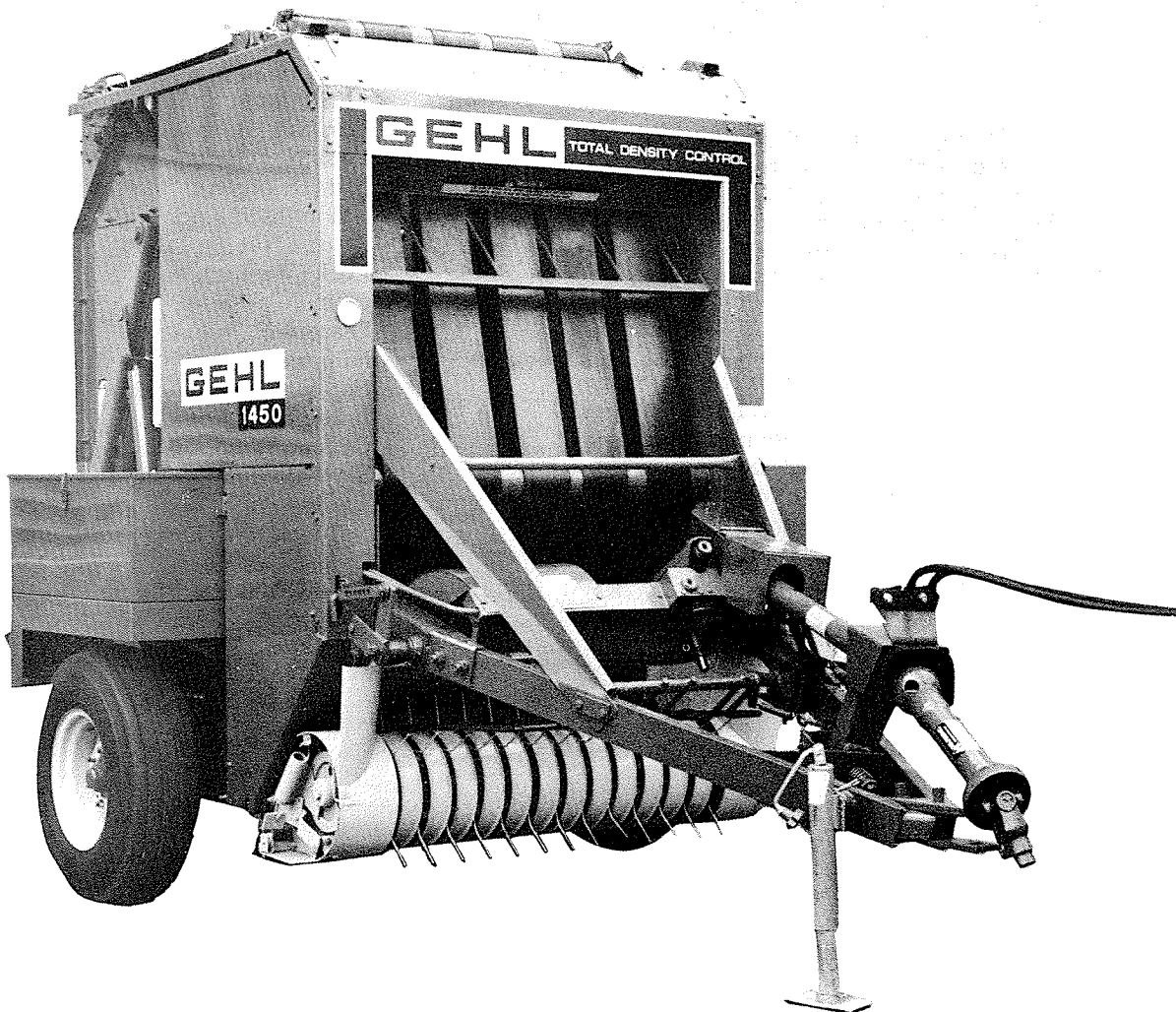


# RB 1450

## Baler



# SERVICE PARTS MANUAL

Form No.  
903222  
Replaces  
902881

GEHL<sup>®</sup> COMPANY

**Mr. Dealer:**

When ordering service parts, specify the correct part number, full description, quantity required, the unit model number and serial number.

Numbers for this unit are on a decal located under the Top Channel, near the Center Column of the Left Frame Assembly.

“Right” and “Left” are determined from a position standing at rear of the unit facing the direction of travel. From this position, the Universal Drive and Transmission are on the left side.

**GEHL** Company reserves the right to make changes or improvements in the design or construction of any part of the unit without incurring the obligation to install such changes on any unit previously delivered.

**NOTE:** On original Tire replacement, Company policy prohibits the sale of replacement tires for all original **GEHL** machinery. Replacement Wheel Sets are available and tire size information is called-out with the Wheel Sets to facilitate replacement tire selection. **ALL REPLACEMENT TIRES MUST BE PURCHASED LOCALLY.**

Common attaching hardware, such as nuts, cap screws, etc. is listed in the parts list but **NOT** illustrated, except where a particular routing or special fastening arrangement **MUST** be maintained. The hardware listed is for mounting purposes and is **NOT** included when the part is ordered for replacement. Refer to the abbreviations table for the various fastener descriptions. For the part number of common hardware, refer to the Attaching Hardware Table located on the Inside Back Cover. Standard hardware torque values are also provided on the same page.

Unless otherwise specified, all Cap Screws or Bolts are Grade 5, cadmium or zinc plated; Hexagon Nuts for Grade 5 Cap Screws or Bolts are Grade B; Hexagon Nuts for other Cap Screws or Bolts are Grade A.

The following abbreviations are used in this manual:

CB	- Carriage Bolt
CS (HHCS)	- Cap Screw (Hexagon Head)
FHMS	- Flat Head Machine Screw
RHMS	- Round Head Machine Screw
SHSS	- Socket Head Set Screw
SQHSS	- Square Head Set Screw
STS (HWHSTS)	- Self-threading Screw (Hexagon Washer Head)
THMS (STHMS)	- Truss Head Machine Screw (Slotted)
JN (HJN)	- Jam Nut (Hexagon)
LN (HLN)	- Lock Nut (Hexagon)
N (HN)	- Nut (Hexagon)
NILN	- Nylon-insert Lock Nut
SN	- Slotted Nut
L (LW)	- Lock (Washer)
P (PW)	- Plain (Washer)
Dia.	- Diameter
mm	- millimeter
NF	- National Fine (Thread)
I.D.	- Inside Diameter
O.D.	- Outside Diameter
SMV	- Slow-moving Vehicle
Sq.	- Square
SL	- Self-locking (Thread)
PTO	- Power Take Off
RPM	- Revolutions Per Minute
T	- Tooth

# TABLE OF CONTENTS


	Page
Introduction .....	Inside Front Cover
Table of Contents .....	1
Decal Locations .....	2-3
Main Frame .....	4-5
Drawbar & Axle .....	6-7
Implement Drive Line, Shields & Covers .....	8-9
Pickup .....	10-11
Twinebox & Cutoff .....	12-13
Pickup, Lift & Overfill Clutch .....	14
Bale Starter .....	15
Shuttle & Bale Size Indicator .....	16
Sprocket & Roller Part Number Guide .....	17
Roller Drive .....	18-19
Lower Rollers .....	20-21
Upper Rollers .....	22-23
Total Density Control (TDC) .....	24-25
Rear Gate .....	26-27
Rear Gate Hydraulics .....	28
Transmission .....	29
Universal Drives .....	30-31
Hitchjack .....	32
Options & Accessories .....	33-39
Electric Twine Wrapping Kit 801143 .....	33
Control Box Breakdown .....	33
Crowder Wheel Kit 802232 .....	34-35
Light Crop Hold-down Kit 066779 .....	35
1000 RPM Conversion Kit 801552 .....	36
6" Upper Belt Dutchman Kit 072042 .....	36
Platform Belt Dutchman Kit 067152 .....	36
Hydraulic Twine Wrapping Kit 801611 .....	37
Bale Counter Kit 801782 .....	37
Dual Hydraulics Kit 801087 .....	37
Slow-down Sprocket Kit 066780 .....	37
72" Platform Belt Lacing Pin Kit 901751 .....	37
Re-lacing Kit 801086 .....	38
Scraper Kit 075270 .....	38
Lacing Kit 073390 .....	38
Packing Roller Lagging Kit 068633 .....	38
Audible Bale Size Indicator Kit 802432 .....	39
Numerical Index .....	40-43
Standard Hardware Torque Specifications .....	Inside Back Cover
Attaching Hardware Table .....	Inside Back Cover

# DECAL LOCATIONS

Decal Locations are shown to assist in application of new decals in the event of damage to the Decal or refinishing of the machine. Check listing for information and the illustrations for their location.

Surfaces **MUST** be free from dirt, dust, grease and other foreign material before applying the new Decal. To apply, remove the smaller portion of the decal backing paper and apply this part of the exposed adhesive backing to the clean surface while maintaining proper position and alignment. Peel the other portion of the backing paper off slowly while applying hand pressure to smooth out Decal surface.

**NOTE:** Discard Decals NOT required for this machine. Always order Decals by set number. DO NOT order Decals separately.

 **WARNING:** Always Observe Safety Rules Shown on Decals. If Decals become damaged, or if unit is repainted, replace Decals.

## NOTICE

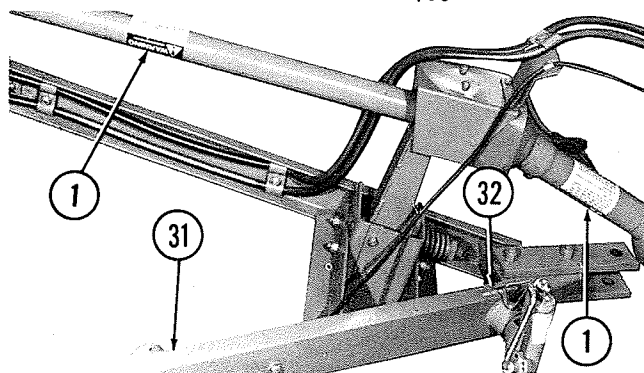
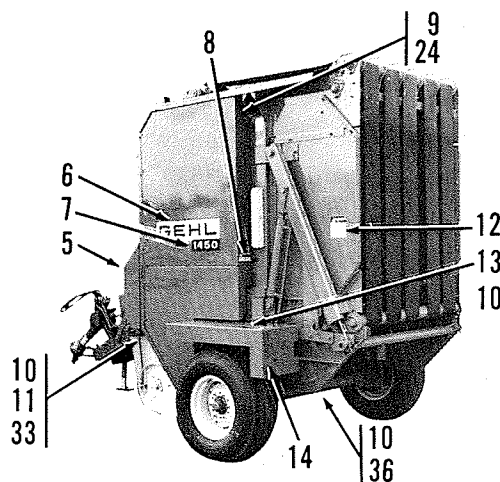
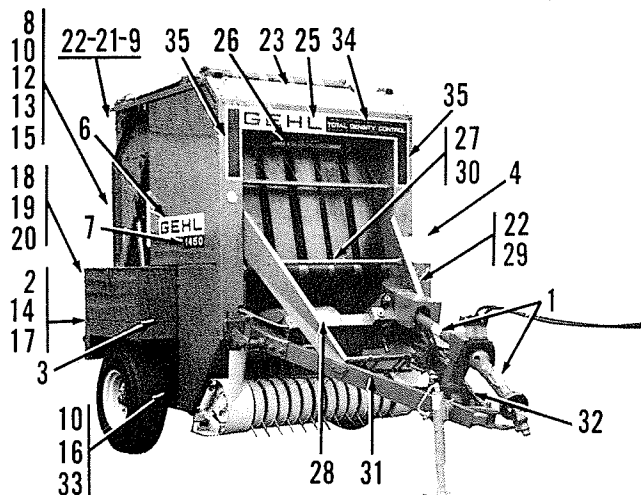
Order paint for refinishing machines from this list:

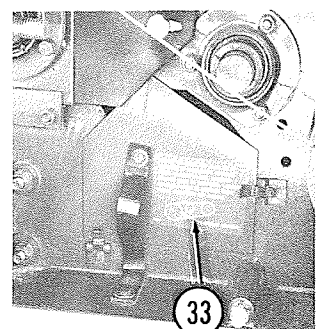
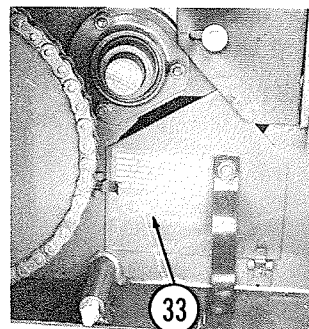
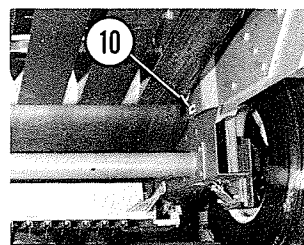
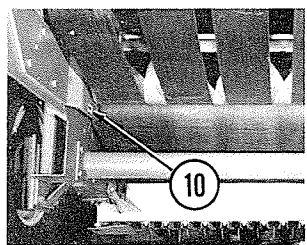
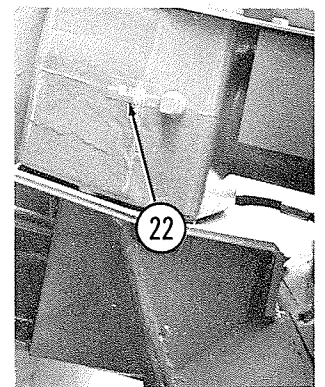
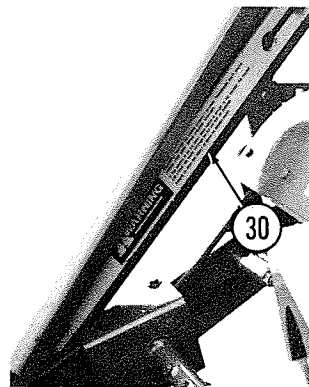
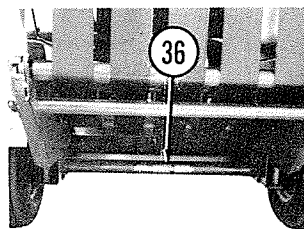
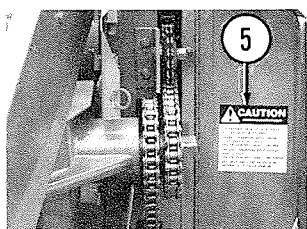
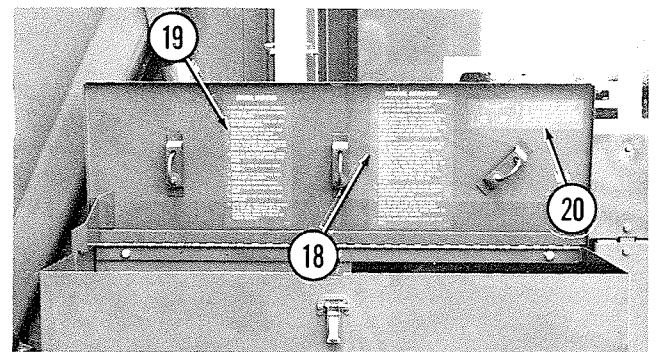
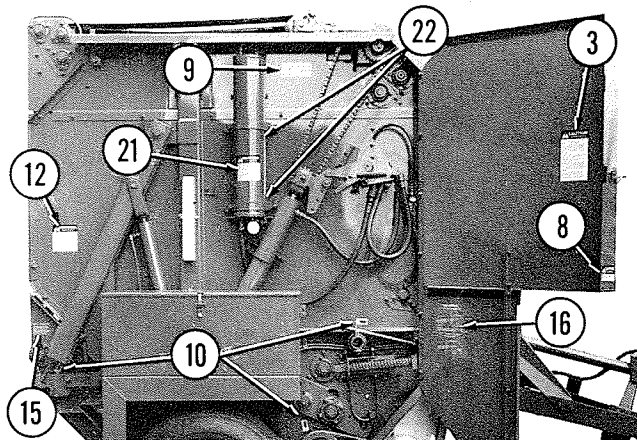
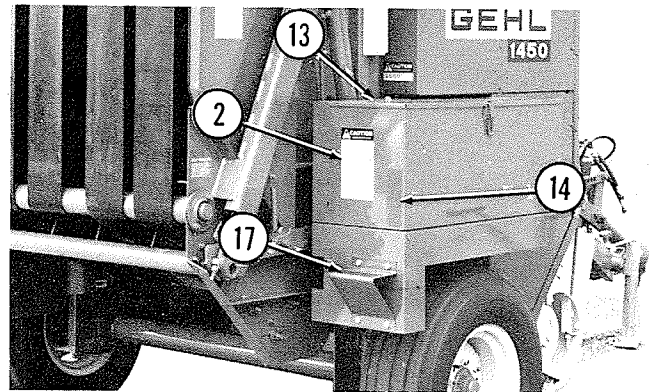
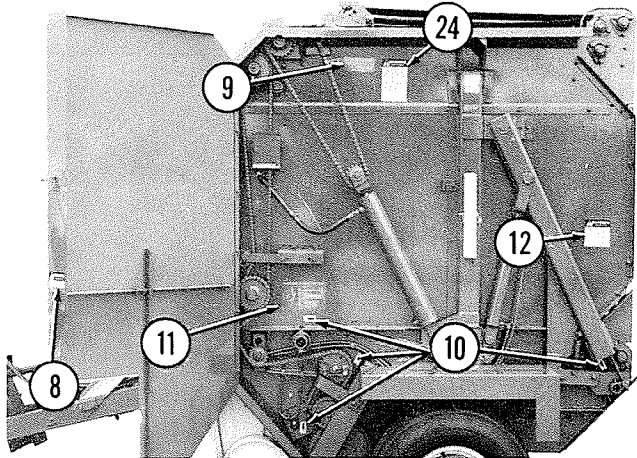
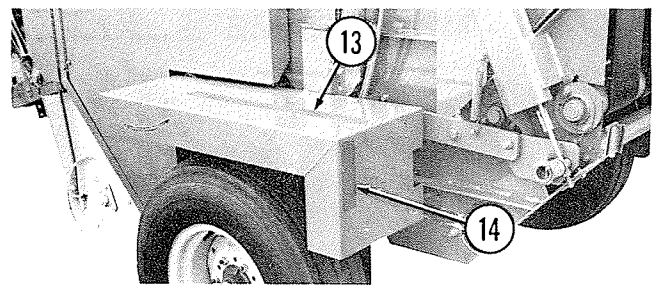
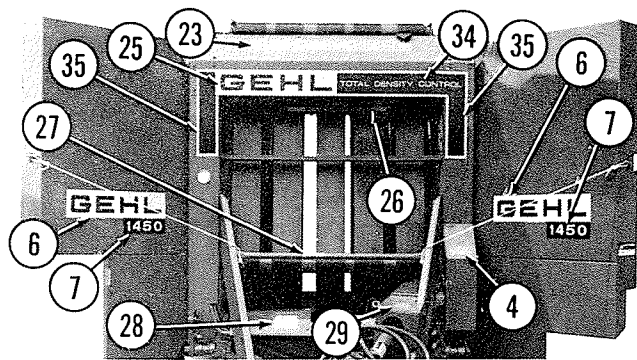
901225	One Gallon Blaze Paint
901226	One Gallon Maize Paint
610239	6 (12 oz.) Cans Blaze Spray Paint
610240	6 (12 oz.) Cans Maize Spray Paint

The Decal Set number for the RB1450 is 071996. The Set includes the following:

- 1 - 071718 WARNING - Rotating Guard (2 Places)
- 2 - 071713 CAUTION - Read Operator's Manual
- 3 - 071712 CAUTION - General Safety
- 4 - 065982 Decal - Check Roller Chain Idlers
- 5 - 071711 CAUTION - 540 or 1000 RPM Operation
- 6 - 061203 GEHL (2 Places)
- 7 - 072030 1450 3 x 10½ (2 Places)
- 8 - 071714 CAUTION - Keep Door Closed & NEVER Ride Machine (2 Places)
- 9 - 060151 Decal - Belt Tension (2 Places)
- 10 - 061187 Decal - Grease Fitting Symbol (9 Places)
- 11 - 067135 Decal - Idler Adjustment
- 12 - 071719 WARNING - Stay Clear of Gate (2 Places)
- 13 - 055100 Non-skid Surface Strip (2 Places)
- 14 - 067493 Red Reflector Strip (2 Places)
- 15 - 061832 Decal - Belt Tracking
- 16 - 065983 Decal - Pickup Adjustment
- 17 - 060154 Non-skid Step Friction Surface Strip
- 18 - 060147 Decal - Operating Instruction
- 19 - 060148 Decal - General Operating Instructions
- 20 - 073845 Decal - Spare Twine
- 21 - 071716 WARNING - Reservoir Contamination
- 22 - 060138 Decal - Oil Level Mark (3 Places)
- 23 - 067130 Decal - Bale Size Indicator

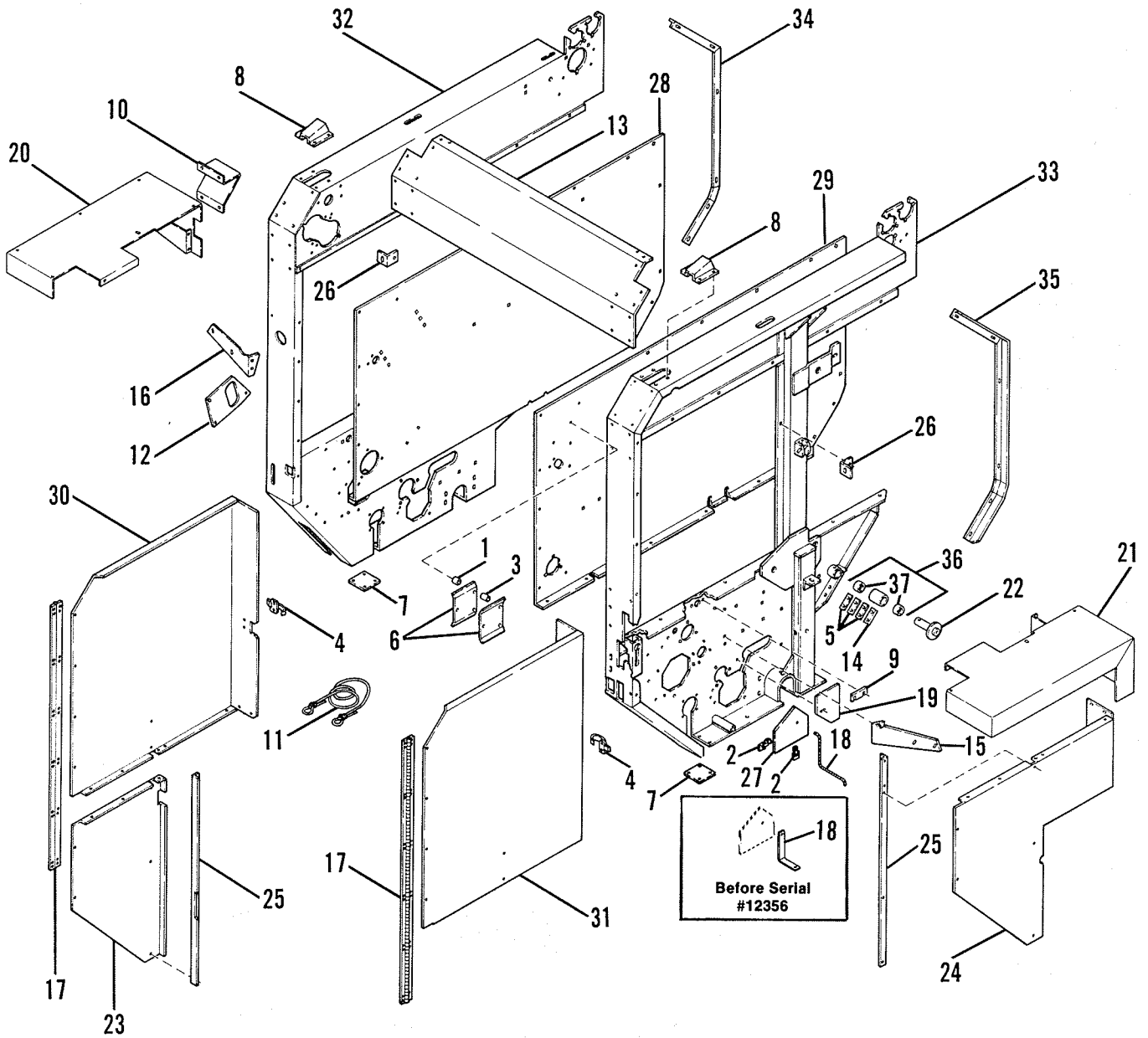
- 24 - 072556 WARNING - Upper Belt Replacement
- 25 - 073395 GEHL 5 x 28¼
- 26 - 071935 WARNING - Moving Belts
- 27 - 060150 Decal - NO STEP
- 28 - 071720 DANGER - NEVER Attempt to Hand-feed
- 29 - 067132 Decal - Shear Bolts
- 30 - 071715 WARNING - Disconnect PTO
- 31 - 060510 Decal - Hitchjack Storage Position
- 32 - 060511 Decal - Hitchjack Lifting Position
- 33 - 072850 Decal - V-Groove Scraper Installation (2 Places)
- 34 - 073396 Decal - Total Density Control
- 35 - 073394 Decal - Vertical Strip (2 Places)
- 36 - 073511 Decal - Platform Belt Adjustment





# RB1450 - MAIN FRAME

IMPORTANT: Order by Part Number - DO NOT use Illustration Reference Numbers.

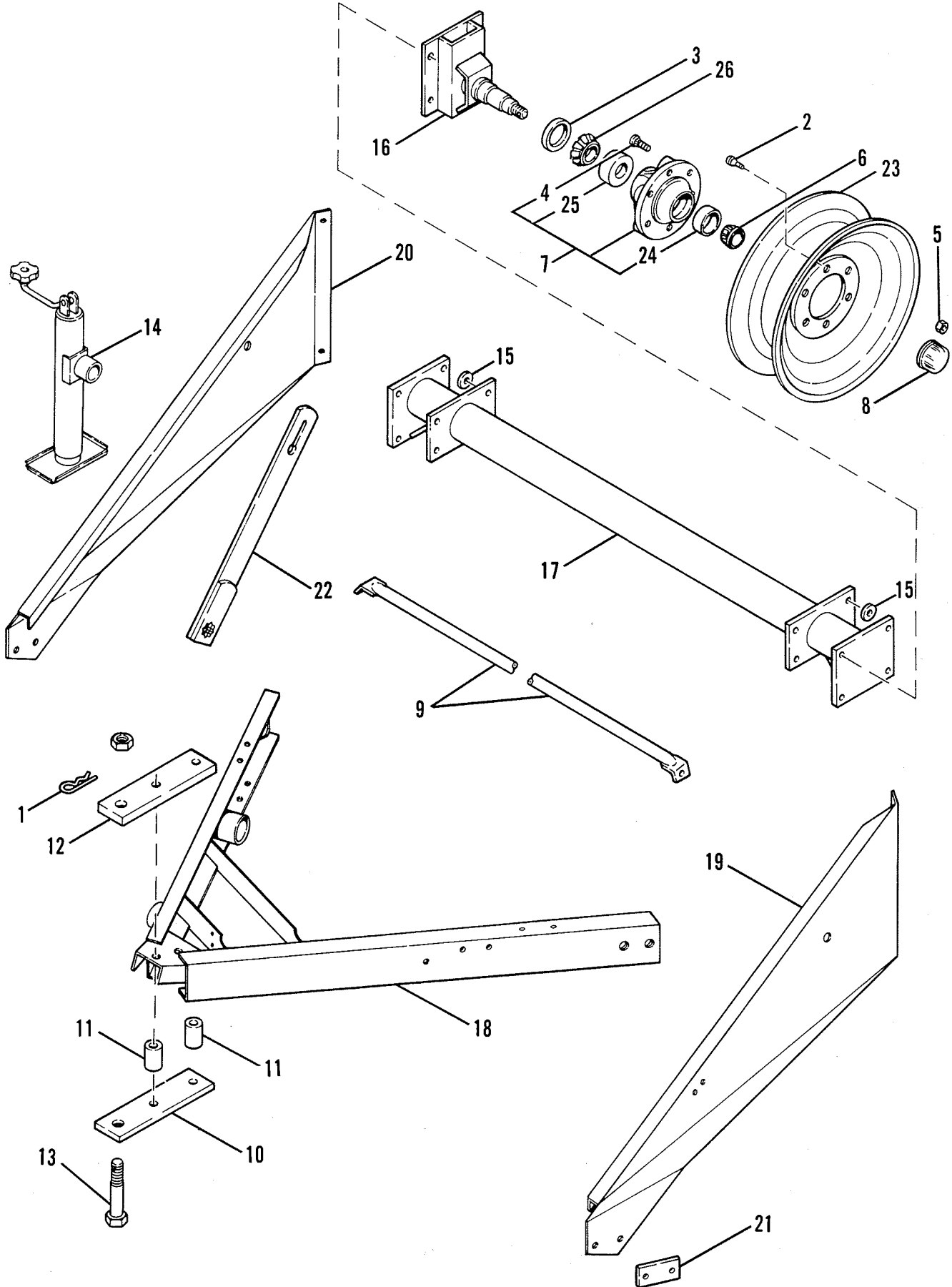


## RB1450 - MAIN FRAME

Ref. No.	Part No.	Part Name	No. Req.	Ref. No.	Part No.	Part Name	No. Req.
1	H6053B	Spacer .....	3	21	073222	Left Fender.....	1
2	040860	Clip .....	4			(Used after Serial #11955)	
	650548	RHMS #1224 x 1/2.....	5		069830	Left Fender.....	1
		(5) #1224 HN - (5) #12 LW				(Used before Serial #11956)	
3	043192	Spacer .....	3		650790	CB 3/8 x 3/4 (N,L).....	3
4	044116	Latch .....	2		650491	CS 3/8 x 1-1/4 (N,L,2P) .....	1
	650812	RHMS #1224 x 1/2.....	4	22	070754	Pin .....	2
		(4) #1224 HN - (4) #12 LW			570005	Grease Fitting.....	2
5	052588	Shim.....	6		650535	HHCS 3/8 x 2-1/4 .....	2
6	057122	Chain Guide .....	2			(2) 3/8 HLN	
	650818	HHCS 3/8 x 3 .....	3	23	070848	Right Lower Guard .....	1
		(3) 3/8 HN - (3) LW			650486	HHCS 5/16 x 3/4 .....	3
7	057945	Reinforcement .....	2			(3) 5/16 HN - (3) LW	
	650490	HHCS 3/8 x 1 .....	8	24	070850	Left Lower Guard Door.....	1
		(8) 3/8 HN - (8) LN			650945	STHMS 1/4 x 3/4.....	2
8	058326	Chain Guard.....	2			(2) 1/4 HN - (2) LW - (2) PW	
	650490	HHCS 3/8 x 1 .....	6		650486	HHCS 5/16 x 3/4 .....	4
		(6) 3/8 HN - (6) LW - (2) PW				(4) 5/16 HN - (4) LW	
9	059692	Shim.....	2	25	070853	Door Brace .....	2
10	073221	Right Fender Step.....	1		650448	HHCS 1/4 x 3/4 .....	10
		(Used after Serial #11955)				(10) 1/4 HN - (10) LW	
	059694	Right Fender Step.....	1	26	070854	Door Latch Bracket .....	2
		(Used before Serial #11956)			650704	CB 3/8 x 1 .....	2
	650490	CS 3/8 x 1 (N,L,P) .....	4			(2) 3/8 HN - (2) LW	
11	060387	Door Holding Cord.....	2	27	071731	Cover .....	2
12	066203	Cover .....	2	28	071965	Right Center Sheet .....	1
	650790	CB 3/8 x 3/4 .....	6		650490	HHCS 3/8 x 1 .....	9
		(6) 3/8 HN - (6) LW			650704	CB 3/8 x 1 .....	9
13	066227	Panel .....	1			(18) 3/8 HN - (18) LW - (1) PW	
	650490	HHCS 3/8 x 1 .....	16	29	071967	Left Center Sheet.....	1
		(16) 3/8 HN - (16) LW			650490	HHCS 3/8 x 1 .....	10
14	066375	Gate Stop .....	2		650704	CB 3/8 x 1 .....	6
	650185	FHMS 5/16 x 1 .....	4			(16) 3/8 HN - (16) LW - (1) PW	
		(4) 5/16 HN - (4) LW		30	071987	Right Guard Door.....	1
15	066456	Left Fender Front Brace.....	1	31	071989	Left Guard Door .....	1
	650704	CB 3/8 x 1 .....	2	32	071993	Right Frame .....	1
	650491	HHCS 3/8 x 1-1/4 .....	2			(2) 5/8 HN	
		(4) 3/8 HN - (4) LW - (4) PW		33	072001	Left Frame .....	1
16	066462	Right Fender Front Brace .....	1		650490	HHCS 3/8 x 1 .....	1
	650704	CB 3/8 x 1 .....	2			(1) 3/8 HN - (1) LW	
	650491	HHCS 3/8 x 1-1/4 .....	2			(2) 5/8 HN	
		(4) 3/8 HN - (4) LW - (4) PW		34	072007	Right Gate Guide Angle.....	1
17	066467	Hinge .....	2		650491	HHCS 3/8 x 1-1/4 .....	1
	650486	HHCS 5/16 x 3/4 .....	12		650704	CB 3/8 x 1 .....	5
		(12) 5/16 HN - (12) LW - (12) PW				(6) 3/8 HN - (6) LW - (6) PW	
18	073847	Holding Cord 3/16 x 12.....	2	35	072008	Left Gate Guide Angle .....	1
		(Used after Serial #12355)			650491	HHCS 3/8 x 1-1/4 .....	1
	069795A	Rubber Strap .....	2		650704	CB 3/8 x 1 .....	5
		(Used before Serial #12356)				(6) 3/8 HN - (6) LW - (6) PW	
19	069796	Cover .....	2	36	073172	Gate Latch Assembly Sleeve .....	2
	650618	HWHSTS 5/16 x 5/8 .....	2	37	520139	Needle Bearing .....	4
		(2) 5/16 PW					
20	073218	Right Fender .....	1				
		(Used after Serial #11955)					
	069826	Right Fender .....	1				
		(Used before Serial #11956)					
	650790	CB 3/8 x 3/4 (N,L) .....	3				
	650491	CS 3/8 x 1-1/4 (N,L,2P) .....	1				

A For replacement, order Cord 073847.

# RB1450 - DRAWBAR & AXLE





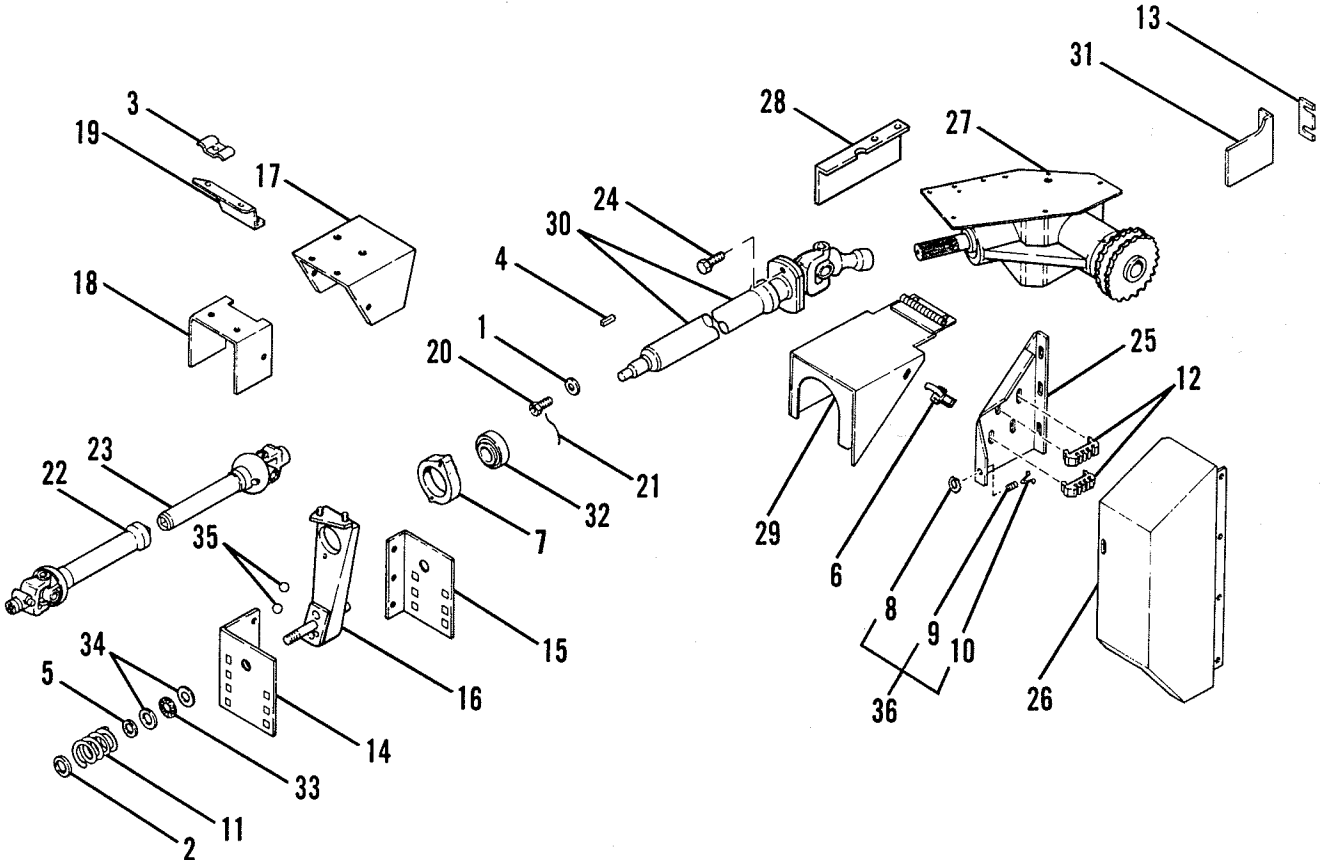
## RB1450 DRAWBAR & AXLE

Ref. No.	Part No.	Part Name	No. Req.	Ref. No.	Part No.	Part Name	No. Req.
1	9H300	Lock Pin .....	1	17	071937	Axle .....	1
2	045582	Tire Valve .....	2		650569	HHCS 1/2 x 1-3/4 .....	8
3	045998	Grease Seal .....	2		(8) 1/2 NILN - (8) LW		
4	046000	Wheel Bolt .....	12	18	072023	Drawbar .....	1
5	046001	Wheel Nut .....	12		650649	HHCS 3/4 x 2 .....	4
6	520201	Bearing Cone .....	2		(4) 3/4 HN - (4) LW		
7	057911	Wheel Hub - Assembled .....	2	19	072026	Left Brace .....	1
		(Includes One 520054 Cup, One 520199 Cup & Six 046000 Wheel Bolts)			650490	HHCS 3/8 x 1 .....	3
					(2) 3/8 NILN - (1) HN - (1) LW - (1) PW		
8	058421	Grease Cap .....	2	20	072027	Right Brace .....	1
9	066279	Upper Cross Bar .....	1		650490	HHCS 3/8 x 1 .....	3
10	070877	Lower Drawbar Clip .....	1		(2) 3/8 NILN - (1) HN - (1) LW - (1) PW		
11	070878	Drawbar Spacer .....	2	21	072032	Drawbar Brace Reinforcement Pad	2
12	070879	Upper Drawbar Clip .....	1		650453	HHCS 1/2 x 1-1/2 .....	4
	650867	HHCS 5/8 x 5 .....	2		(4) 1/2 NILN		
	(4) 5/8 HLN			22	072478	Reversing Handle .....	1
13	070880	Hitch Pin .....	1	23	072624	Wheel 14 x 8 KB .....	2
	(1) 1" HN - (1) PW				(For 9.5 x 14 6-ply Tire)		
14	071117A	Hitchjack - Assembled .....	1	24	520054	Bearing Cup .....	2
15	071520	Washer .....	8	25	520199	Bearing Cup .....	2
16	071759	Ajustable Axle .....	2	26	520200	Bearing Cone .....	2
	655020	Cotterpin 3/16 x 1-1/2 .....	2				
	650569	HHCS 1/2 x 1-3/4 .....	8				
	(8) 1/2 HN - (8) LW						
	(2) 3/4 NF-SN - (2) PW						

A For service, see page titled Hitchjack.

**RB1450 - IMPLEMENT DRIVE LINE, SHIELDS & COVERS**

IMPORTANT: Order by Part Number - DO NOT use Illustration Reference Numbers.

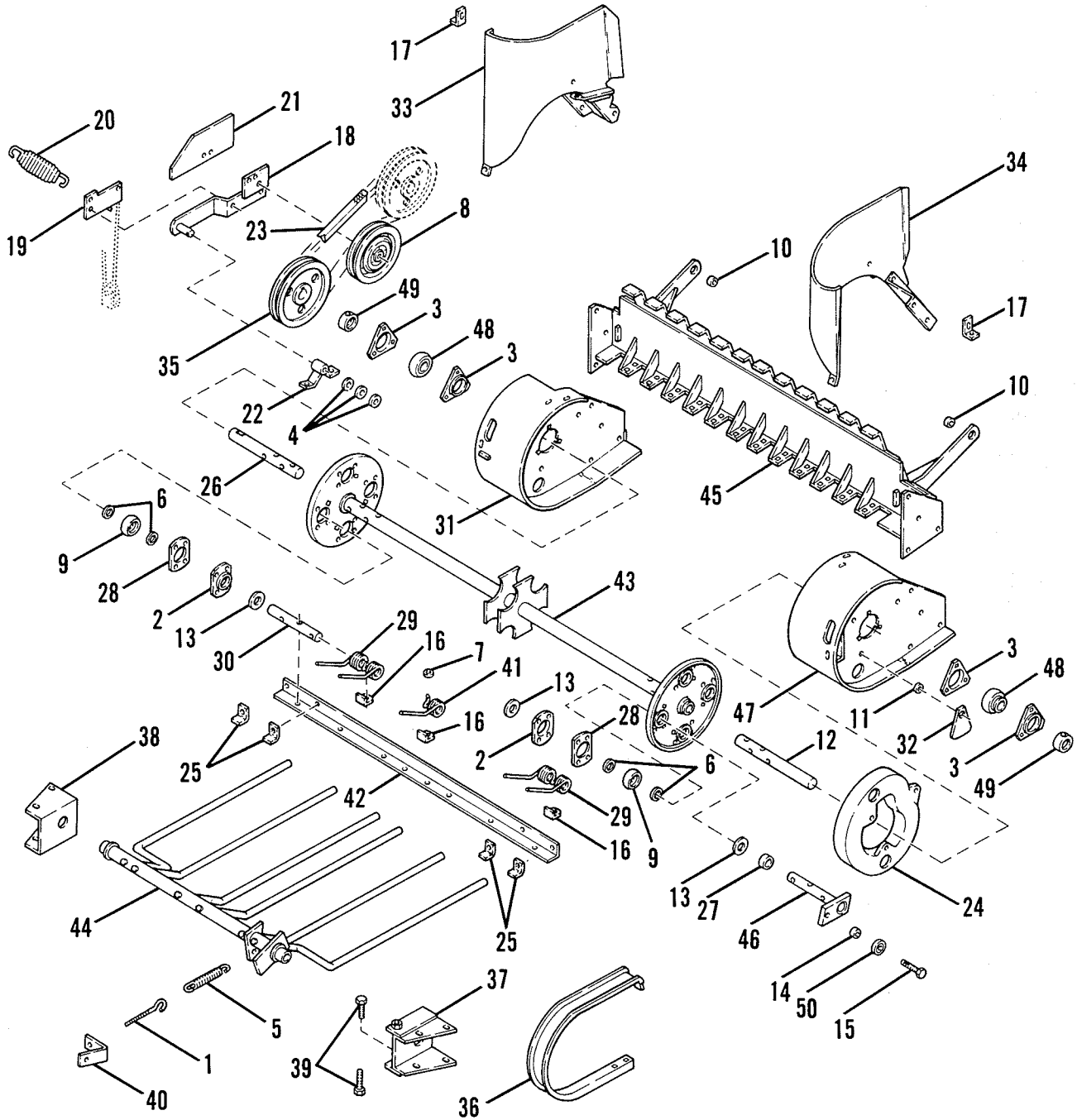


## RB1450 - IMPLEMENT DRIVE LINE, SHIELDS & COVERS

Ref. No.	Part No.	Part Name	No. Req.	Ref. No.	Part No.	Part Name	No. Req.
1	071520	Joint Retainer .....	1	23	061125A-B	Universal Joint w/Spline Tube - Assembled .....	1
2	D932A	Washer .....	1	24	061700c	Shear Bolt 5/16 x 1-3/4 Grade 2... (for 540 RPM)	1
3	H6094	Hose Clamp .....	2		066285d	Shear Bolt 5/16 x 1-1/2 Grade 2... (for 1000 RPM)	1
	650453	HHCS 1/2 x 1-1/2 .....	2				
	(2) 1/2	NILN					
4	H6172	Tubular Drive Key .....	1	25	065674	Side Transmission Guard .....	1
5	H8054	Transmission Bearing Shim .....	1		650486	HHCS 5/16 x 3/4 .....	3
6	044116	Latch .....	1		(3) 5/16	HN - (3) LW - (3) PW	
	650812	RHMS #1224 x 1/2 .....	2	26	065721	Transmission Guard .....	1
	(2) #1224	HN - (2) #12 LW			650488	HHCS 1/4 x 3/4 .....	4
7	046754	Bearing Housing .....	1		(4) 1/4	HN - (4) LW	
	650533	HHCS 3/8 x 1-1/2 .....	2	27	074671E	Transmission - Assembled .....	1
	(2) 3/8	HN - (2) LW				(Used after Serial #12362)	
8	055690	Latch Handle .....	2		066245E	Transmission - Assembled .....	1
9	055691	Latch Spring .....	2			(Used before Serial #12363)	
10	055692	Latch Clip .....	2		570016	Relief Fitting .....	1
11	056211	Compression Spring .....	1		650495	CS 1/2 x 1-1/4 (L) .....	4
12	059272	Shear Bolt Holder .....	2	28	066280	Rear Universal Guard .....	1
13	059692	Shim .....	5		650486	HHCS 5/16 x 3/4 .....	2
	650573	CB 5/16 x 1 .....	2		(2) 5/16	HN - (2) LW	
	(2) 5/16	HN - (2) LW - (2) PW		29	066281	Universal Guard .....	1
14	059754	PTO Mount .....	1		650486	HHCS 5/16 x 3/4 .....	2
15	059756	Rear PTO Adjustment Plate .....	1		(2) 5/16	HN - (2) LW	
	650491	HHCS 3/8 x 1-1/4 .....	3	30	066284A-B	Tubular Drive Assembled .....	1
	(1) 3/8	HJN - (3) HN - (3) LW		31	066396	Support .....	1
16	059757	PTO Pedestal .....	1		650569	HHCS 1/2 x 1-3/4 .....	2
17	059765	PTO Guard .....	1		(2) 1/2	HN - (2) LW - (2) PW	
18	059766	PTO Shield .....	1	32	520066	Ball Bearing .....	1
	650488	HHCS 1/4 x 3/4 .....	2		520135	Thrust Bearing .....	1
	(2) 1/4	HN - (2) PW		34	520136	Thrust Washer .....	2
19	060295	Hose Mount .....	1	35	666002	Steel Ball - 3/4" Dia. ....	1
	650486	HHCS 5/16 x 3/4 .....	2	36	049038	Latch Assembly .....	2
	(2) 5/16	HN - (2) PW					
20	060979	HHCS 1/2 NF x 1-1/4 .....	1				
21	061006	Joint Screw Lock Wire .....	1				
22	061124A	Universal Joint w/Spline Shaft - Assembled (540 RPM) .....	1				
	067173A	Universal Joint w/Spline Shaft - Assembled (1000 RPM) .....	1				

- A** For service, see pages titled Universal Drives.
- B** Same Universal used for both 540 & 1000 RPM.
- C** For replacement Shear Bolts, order Kit 900015, containing 8 Bolts & HLN.
- D** For replacement Shear Bolts, order Kit 902261, containing 8 Bolts & HLN.
- E** For service, see page titled Transmission.

# RB1450 - PICKUP



IMPORTANT: Order by Part Number - DO NOT use Illustration Reference Numbers.

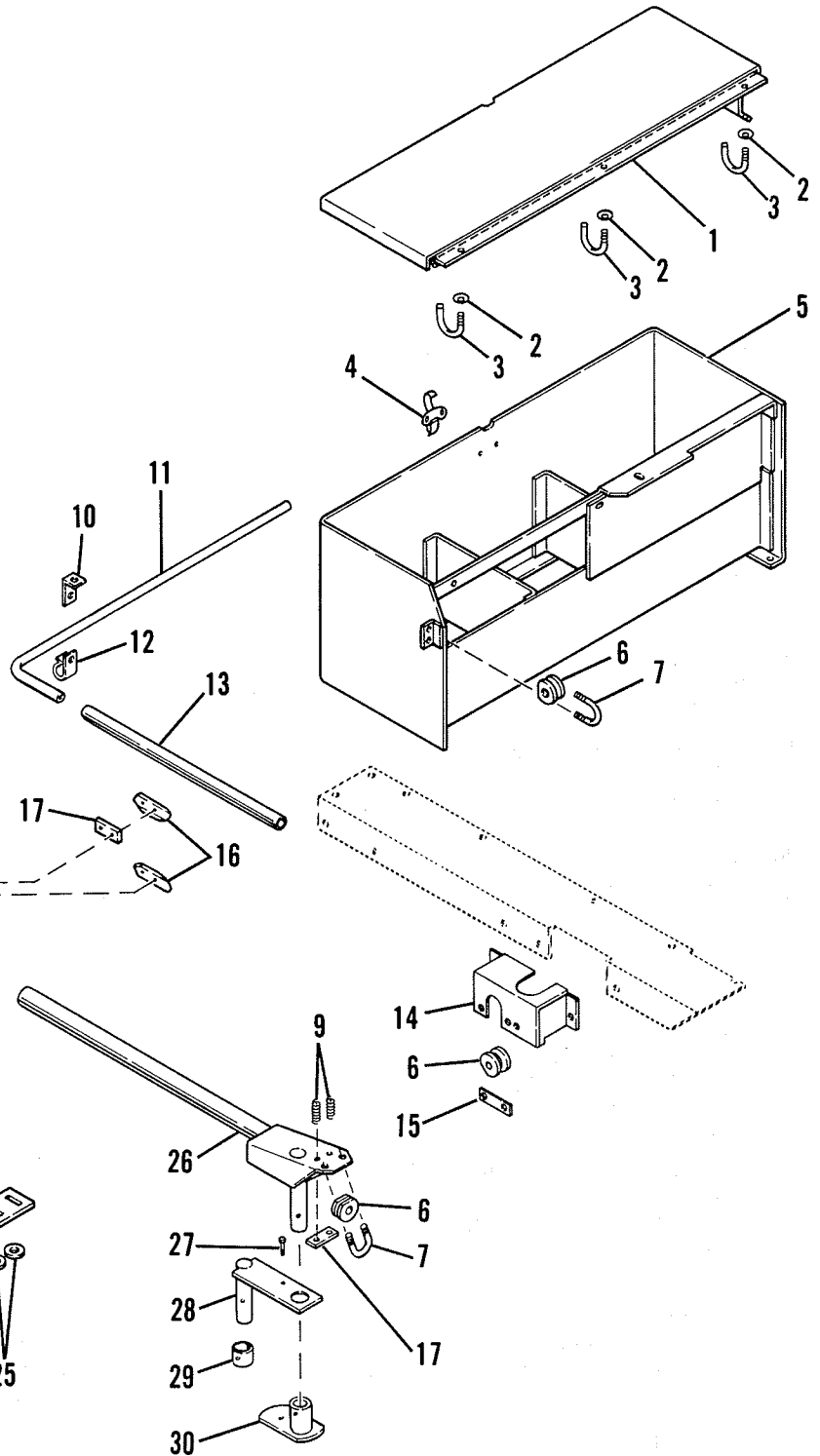
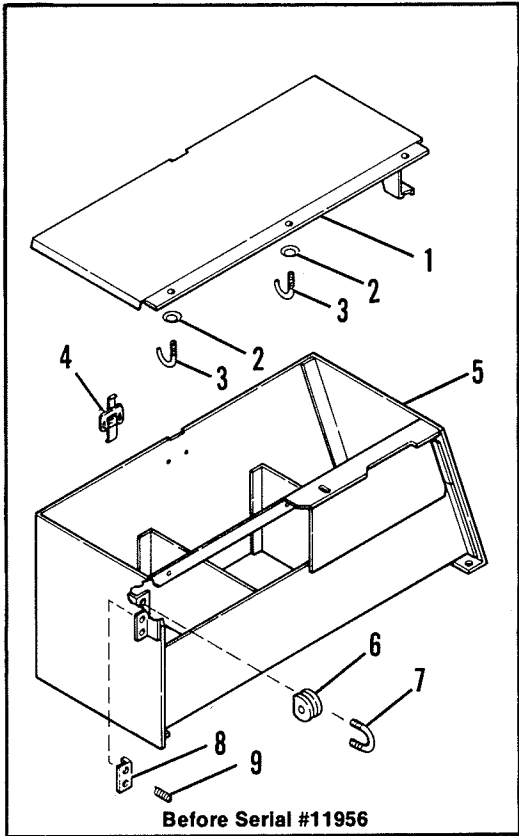
## RB1450 - PICKUP

Ref. No.	Part No.	Part Name	No. Req.	Ref. No.	Part No.	Part Name	No. Req.
1	17H281	Eyebolt .....	1	30	071609	Right Tine Angle Shaft.....	4
2	H7125	Cam Bearing Retainer.....	8		650528	HHCS 3/8 x 2 .....	8
	650488	HHCS 3/8 x 3/4 .....	28		(8) 3/8 HLN		
	650965	HHCS 3/8 x 1-1/4 .....	4	31	071620	Right Header .....	1
	(32) 3/8 HN - (32) LW			32	071626	Cover .....	1
3	H8334	Bearing Retainer .....	4		650453	HHCS 1/2 x 1-1/2 .....	1
	650704	CB 3/8 x 1 .....	6		(1) 1/2 NILN - (1) PW		
	(6) 3/8 HN - (6) LW			33	071627	Right Crowder .....	1
4	H8354	Retainer Washer .....	4		650687	CB 5/16 x 3/4 .....	1
5	U10014B	Pawl Spring .....	1		650949	STHMS 5/16 x 3/4.....	1
6	041881	Oil Seal .....	16		(2) 5/16 HN - (2) LW - (1) PW		
7	042135	Washer.....	20		650488	HHCS 3/8 x 3/4 .....	1
8	053688	Belt Idler .....	1		(1) 3/8 HN - (1) LW		
	650647	HHCS 5/8 x 2 .....	1	34	071631	Left Crowder .....	1
	(1) 5/8 HN - (1) LW - (1) PW				650687	CB 5/16 x 3/4 .....	1
9	056249	Sintered Bearing.....	8		650949	STHMS 5/16 x 3/4.....	1
10	057512	Pivot Bushing.....	2		(2) 5/16 HN - (2) LW - (1) PW		
11	058807	Washer.....	1		650488	HHCS 3/8 x 3/4 .....	1
12	066480	Left Pickup Shaft .....	1		(1) 3/8 HN - (1) LW		
	650528	HHCS 3/8 x 2 .....	4	35	071635	Sheave - 8-1/2" Dia. ....	1
	(4) 3/8 HN				650213	SHSS 3/8 x 3/4.....	2
13	066487	Washer.....	12	36	071637A	Tine Guide .....	12
14	066489	Cam Roller Spacer .....	4		650790	CB 3/8 x 3/4 .....	36
15	066490	HHCS w/Nylon Patch .....	4		(12) 3/8 NILN - (24) HN - (24) LW - (12) PW		
16	066492	Tine Clip .....	28	37	071643	Left Mounting Bracket .....	1
17	066511	Angle .....	2		650487	HHCS 5/16 x 1 .....	2
	650949	STHMS 5/16 x 3/4.....	4		650545	HHCS 5/16 x 1-1/4 .....	2
	(4) 5/16 HN - (4) LW - (4) PW				(4) 5/16 HN - (4) LW - (4) PW		
18	066526	Idler Arm .....	1	38	071645	Right Mounting Bracket.....	1
	655020	Cotterpin 3/16 x 1-1/2 .....	1		650487	HHCS 5/16 x 1 .....	2
19	066528	Tension Plate .....	1		650545	HHCS 5/16 x 1-1/4 .....	2
	650490	HHCS 3/8 x 1 .....	1		(4) 5/16 HN - (4) LW - (4) PW		
	650579	HHCS 3/8 x 1-3/4 .....	1	39	071646	HHCS 1/2 x 2 (Fully Threaded)..	2
	(2) 3/8 HLN - (2) HN - (2) LW - (2) PW			40	071647	Angle .....	1
20	066531	Extension Spring .....	1		650490	HHCS 3/8 x 1 .....	1
21	066532	Idler Shield .....	1		(3) 3/8 HN - (1) LW		
	650542	HHCS 1/4 x 1/2 .....	2	41	071939	Pickup Tine .....	4
	(2) 1/4 LW			42	071969	Tine Support .....	4
22	066533	Idler Pivot.....	1	43	071970	Pickup Carrier .....	1
	570009	Grease Fitting.....	1	44	071991	Hold Down.....	1
23	067516	V-Belt.....	1	45	072014	Hanger Stripper .....	1
24	069531	Pickup Cam .....	1		650490	HHCS 3/8 x 1 .....	7
	650495	HHCS 1/2 x 1-1/4 .....	2		650954	STHMS 3/8 x 1.....	1
	(2) 1/2 NILN				(8) 3/8 HN - (8) LW		
25	071048	Tinebar Spacer .....	16	46	072554	Cam Arm .....	4
26	071601	Right Pickup Shaft .....	1	47	072557	Left Header.....	1
	650513	Woodruff Key 1/4 x 1 .....	1	48	520065	Ball Bearing .....	2
	650528	HHCS 3/8 x 2 .....	4	49	520085	Bearing Lock Collar .....	2
	(4) 3/8 HN			50	520175	Ball Bearing .....	4
27	071605	Spacer .....	4				
28	071606	Retainer Shim .....	8				
29	071607	Pickup Tine .....	24				
	650568	HHCS 5/16 x 2 .....	24				
	(24) NILN						

**A** For Outside Tine Guide replacement only, order either 075650 Right Outside Tine Guide or 075651 Left Outside Tine Guide.

# RB1450 - TWINEBOX & CUTOFF

IMPORTANT: Order by Part Number - DO NOT use Illustration Reference Numbers.



## RB1450 - TWINEBOX & CUTOFF

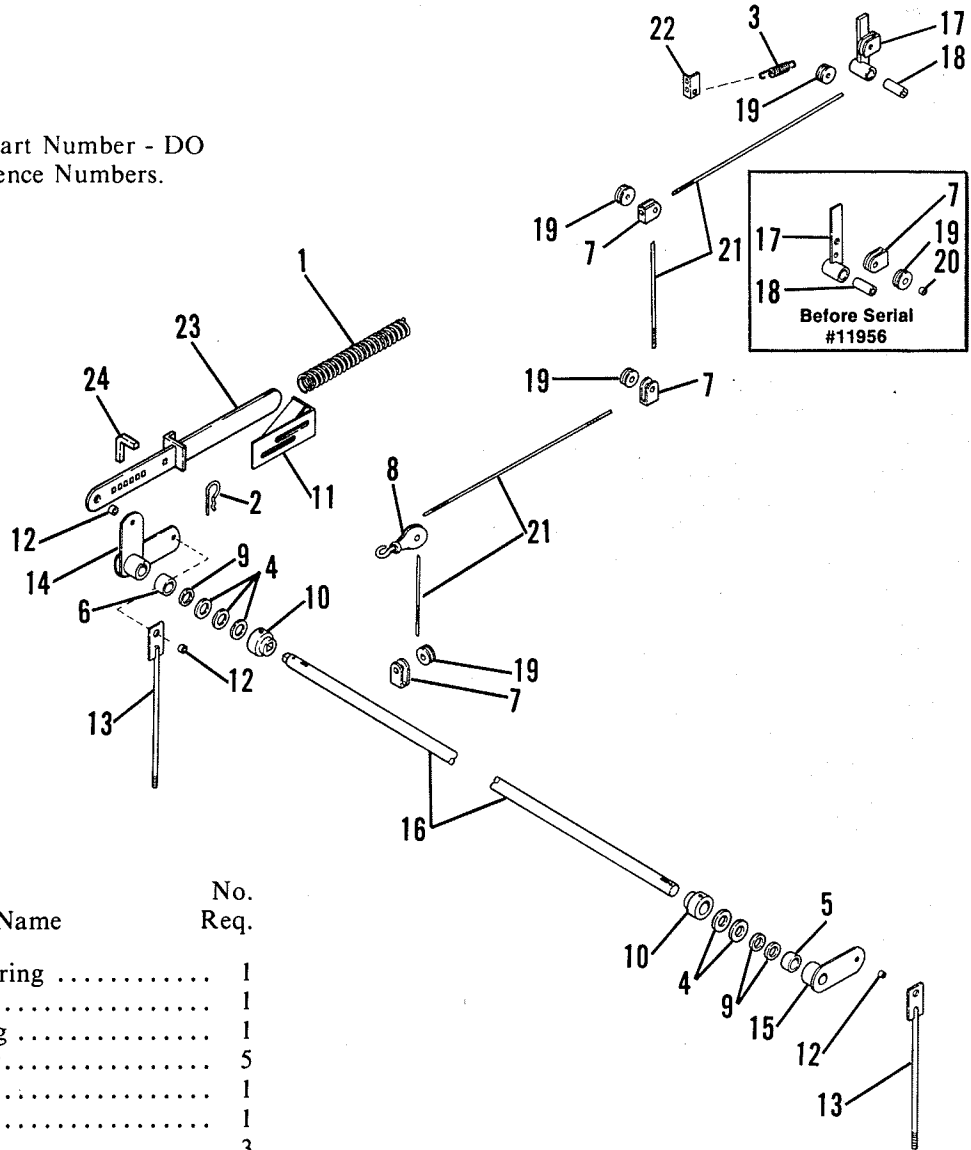
Ref. No.	Part No.	Part Name	No. Req.	Ref. No.	Part No.	Part Name	No. Req.
1	073229	Twinebox Cover .....	1	16	057919	Twine Knife .....	2
		(Used after Serial #11956)			650488	CS 1/4 x 3/4 (N,L) .....	2
	059794	Twinebox Cover .....	1		650835	CS 1/4 x 1 (N,L) .....	2
		(Used before Serial #11957)		17	057920	Knife Spacer .....	2
	650486	CS 5/16 x 3/4 (N,L) .....	3			(One used before Serial #11956)	
2	054959	Spring Washer .....	3	18	071518	Nylon Bushing .....	1
		(Two used before Serial #11956)		19	070613	Extension Spring .....	1
3	059799	Twine Bolt .....	3	20	520210	Needle Bearing .....	1
		(Two used before Serial #11956)		21	073171	Twine Tube Cutoff .....	1
	(6) 1/4 LN				650569	CS 1/2 x 1-3/4 (LN,P) .....	1
4	044116	Latch .....	1	22	070840	Bushing .....	1
	650812	RHMS #1224 x 1/2 (N,L) .....	2	23	060302	Support Rod .....	1
5	073224	Twinebox .....	1			(1) 1/2 N,P - (2) JN	
		(Used after Serial #11955)		24	074409	Cylinder Mount .....	1
	061700	CS 5/16 x 1-3/4 Grade 2 (LN) ...	16			(Used after Serial #12355)	
	650486	CS 5/16 x 3/4 (N,L) .....	5		066263A	Cylinder Mount .....	1
	650490	CS 3/8 x 1 (N,L,P) .....	1			(Used before Serial #12356)	
	069832	Twinebox .....	1		650834	CB 1/2 x 1-1/2 (4N,L,P,JN) .....	2
		(Used before Serial #11956)		25	071520	Washer .....	2
6	059721	Rope Guide .....	3	26	061050	Twine Tube .....	1
7	B11069	U-Bolt .....	2		650979	CS 1/4 x 3-1/4 (LN,P) .....	2
		(4) 5/16 LN			650528	CS 3/8 x 2 (LN) .....	1
8	057422	Twine Guide Angle .....	1			(2) 5/16 LN	
	650449	CS 1/4 x 2-1/2 (LN,P) .....	2	27	061708B	Shear Bolt 1/4 x 1 Grade 2 .....	1
9	M12361	Spring .....	2			(1) 1/4 LN	
10	070071	Base Clamp .....	1	28	066261	Lever Arm .....	1
	650490	CS 3/8 x 1 (N,L) .....	1		650692	CS 5/16 x 1-3/4 (NILN) .....	1
11	066274	Twine Tube .....	1	29	059708	Spacer .....	1
12	056773	Clamp .....	4	30	061052	Activating Lever .....	1
	650486	CS 5/16 x 3/4 (N,L) .....	4				
13	066275	Cross Tube .....	1				
14	066269	Shield Cover .....	1				
	650486	CS 5/16 x 3/4 (N,L) .....	3				
15	059722	Insulator Clamp .....	1				
	650486	CS 5/16 x 3/4 (N,L) .....	2				

**A** For replacement, order Mount 074409.

**B** For replacement Shear Bolts, order Kit 900091 containing 8 Bolts.

# RB1450 - PICKUP LIFT & OVERFILL CLUTCH

IMPORTANT: Order by Part Number - DO NOT use Illustration Reference Numbers.

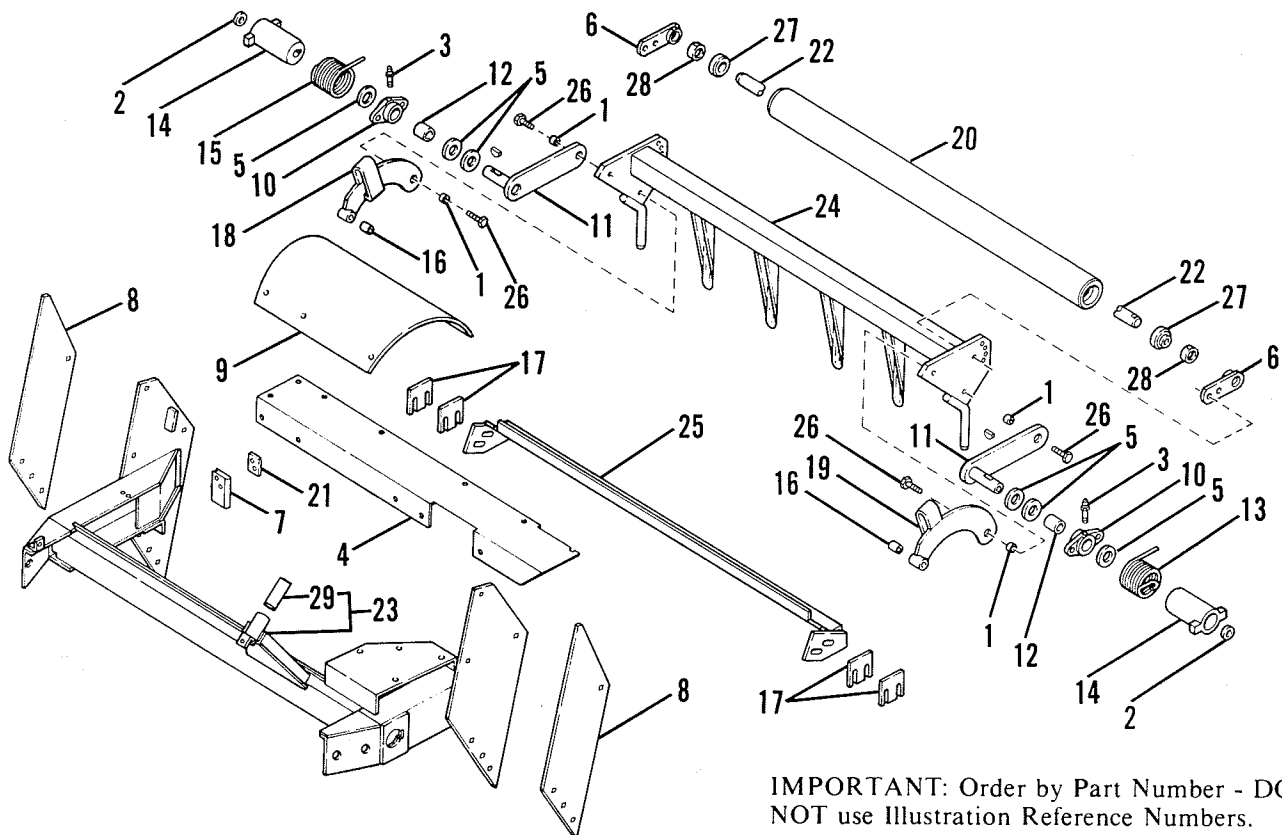


Ref. No.	Part No.	Part Name	No. Req.
1	C133	Compression Spring .....	1
2	9H300	Lock Pin .....	1
3	U10063	Stop Dog Spring .....	1
4	B11090	Eccentric Spacer.....	5
5	047028	Spacer .....	1
6	047956	Spacer .....	1
7	056145	Pulley Bracket .....	3
		(Four used before Serial #11956)	
	650486	CS 5/16 x 3/4 (N,L,P) .....	1
	650487	CS 5/16 x 1 (N,L) .....	2
8	058539	Pulley - 1" Dia. ....	1
	650486	CS 5/16 x 3/4 (N,P) .....	1
9	061529	Shim .....	3
10	065679	Pivot .....	2
	570002	Grease Fitting .....	2
11	065680	Spring Anchor Bracket.....	1
	650704	CB 3/8 x 1 (N,L) .....	2
12	065703	Spacer .....	3
13	065708	Lift Rod .....	2
	650569	CS 1/2 x 1-3/4 (NILN,P) .....	2
14	065715	Right Pickup Lift .....	1
15	065718	Left Pickup Lift.....	1
16	066536	Torsion Shaft .....	1
	650554	Cotter Pin 1/4 x 2-1/4 .....	2
	655539	Woodruff Key 1/4 x 1-1/8.....	2
17	066537	Overfill Clutch .....	1
	650859	CS 5/8 x 3-1/4 (N,L,P) .....	1
18	066540	Pivot Spacer .....	1

Ref. No.	Part No.	Part Name	No. Req.
19	053900	Pulley .....	4
		(Used after Serial #11955)	
	066542	Pulley .....	4
		(Used before Serial #11956)	
	650545	CS 5/16 x 1-1/4 (N) .....	3
	650577	CS 5/16 x 1-1/2 (N) .....	1
20	066543	Bronze Bushing .....	4
		(Used before Serial #11956)	
21	066544	Wire Rope .....	1
22	067879	Cable Anchor.....	1
	650687	CB 5/16 x 3/4 (N,L) .....	2
23	071884	Spring Guide .....	1
	650569	CS 1/2 x 1-3/4 (N,L,P) .....	1
24	071886	Stop Pin .....	1



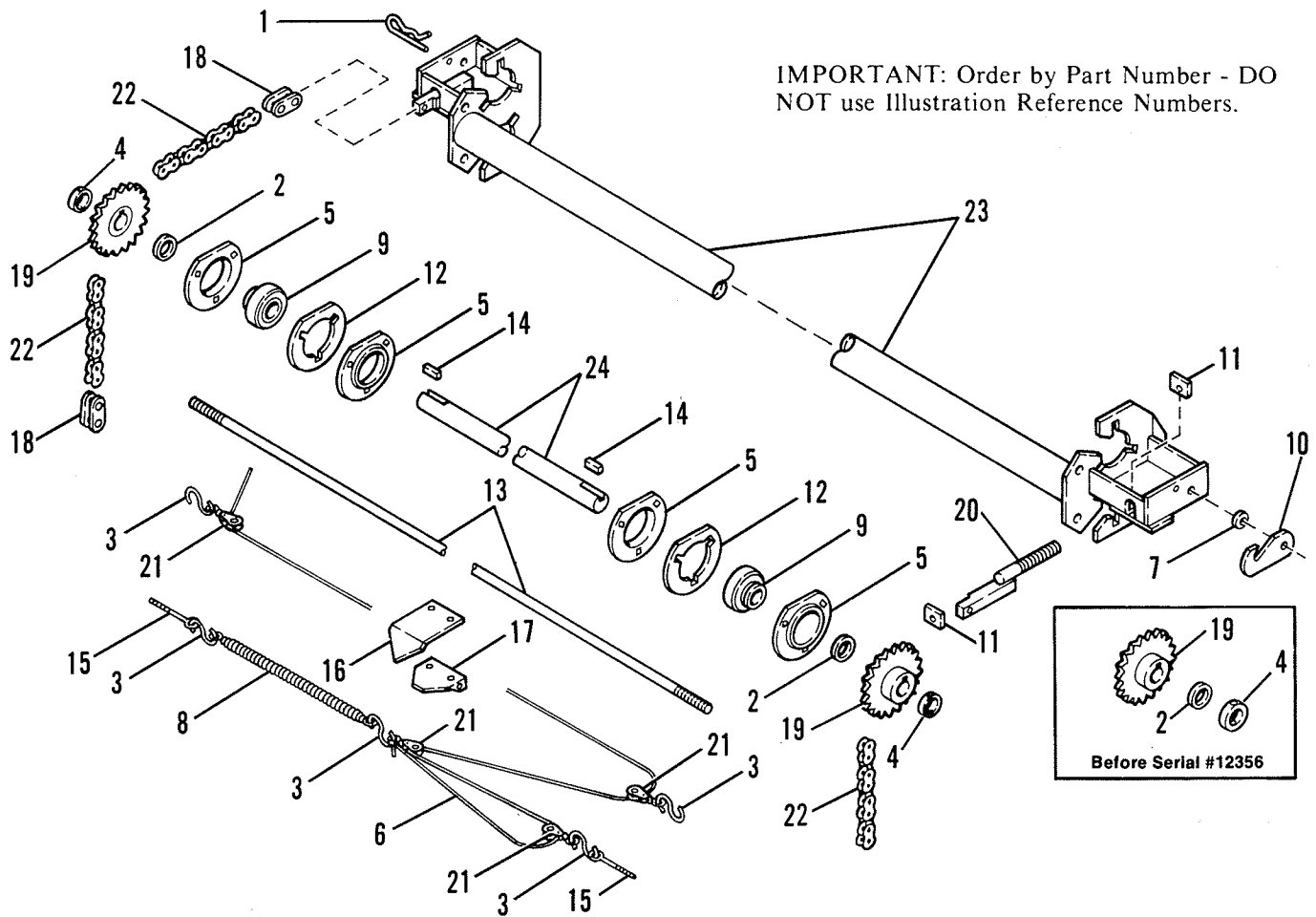
# RB1450 - BALE STARTER



IMPORTANT: Order by Part Number - DO NOT use Illustration Reference Numbers.

Ref. No.	Part No.	Part Name	No. Req.	Ref. No.	Part No.	Part Name	No. Req.
1	057185	Spacer .....	4	15	070798	Right Bale Starter Spring .....	1
2	063586	Washer .....	2	16	070804	Pivot Spacer .....	2
3	064389	Grease Fitting .....	2	17	070810	Shim .....	4
4	066267	Frame Shield .....	1	18	071509	Right Link .....	1
	650835	HHCS 1/4 x 1 .....	1		650818	HHCS 3/8 x 3 .....	1
	(2) 1/4 HN				(1) 3/8 NILN - (1) LW - (5) PW		
	650486	HHCS 5/16 x 3/4 .....	7	19	071512	Left Link .....	1
	(7) 5/16 HN - (7) LW - (1) PW				650818	HHCS 3/8 x 3 .....	1
5	066487	Washer .....	6		(1) 3/8 NILN - (1) LW - (5) PW		
6	069797	Bale Starter Roller Support .....	2	20	071770	Bale Starter Roller .....	1
7	070637	Bumper Pad .....	1	21	071883	Backup Plate .....	1
	650835	HHCS 1/4 x 1 .....	2		650835	HHCS 1/4 x 1 .....	2
	(2) 1/4 HLN				(2) 1/4 HLN		
8	070691	Filler Plate .....	2	22	071980	Bale Starter Roller Shaft .....	1
9	070717	Twine Cutoff Guard .....	1		650706	HHCS 1/4 x 2 .....	1
	650486	HHCS 5/16 x 3/4 .....	1		(1) 1/4 HLN		
	(1) 5/16 HN - (1) LW			23	071983	Front Frame .....	1
	650490	HHCS 3/8 x 1 .....	1		570019	Grease Fitting .....	1
	(1) 3/8 HN - (1) LW - (1) PW				650786	CB 3/8 x 1-1/4 .....	10
10	070791	Bale Starter Bearing .....	2		(10) 3/8 HN - (10) LW		
	650490	HHCS 3/8 x 1 .....	4	24	071984	Bale Starter .....	1
	(4) 3/8 HLN - (4) LW			25	072011	Scraper .....	1
11	070792	Bale Starter Arm .....	2	26	650978	CS 3/8 x 1-3/4 Grade 8 .....	4
	650513	Woodruff Key 1/4 x 1 .....	2		(6) 3/8 LN - (4) P		
12	070795	Sleeve .....	2	27	520062	Ball Bearing .....	2
13	070796	Left Bale Starter Spring .....	1	28	520084	Bearing Lock Collar .....	2
14	070797	Spring Plug .....	2	29	C14061A	Brass Bushing .....	1
	650491	HHCS 3/8 x 1-1/4 .....	2				
	(2) 3/8 LW						

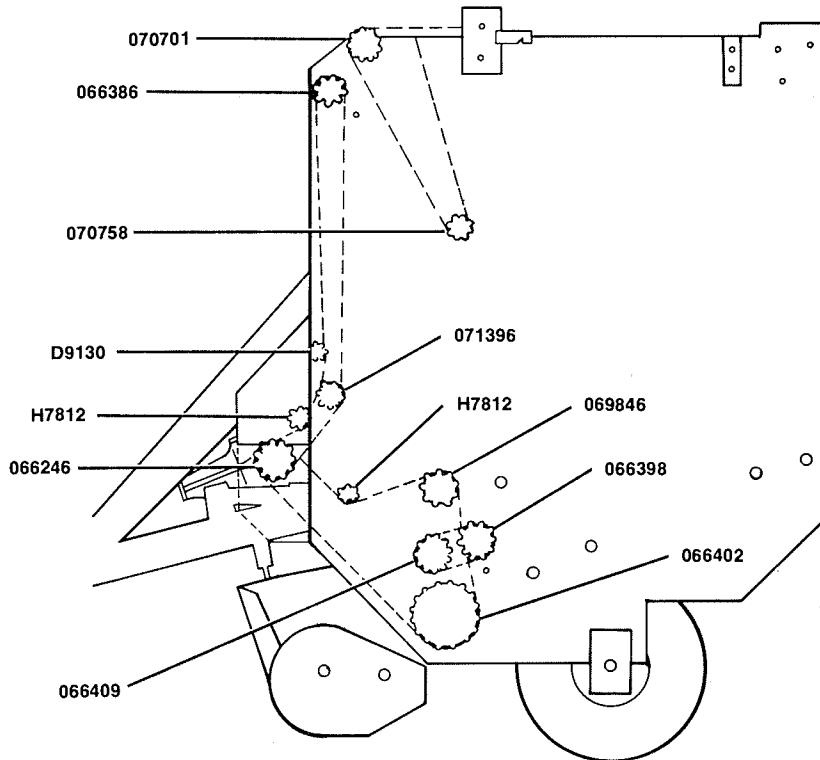
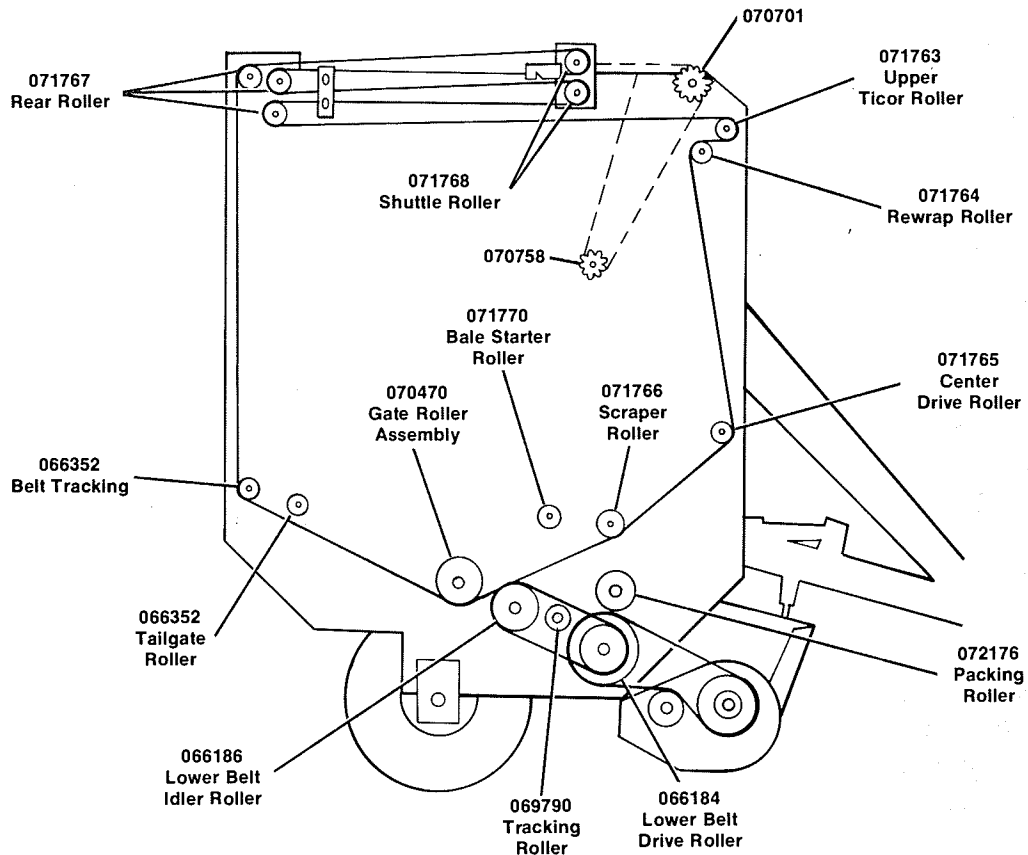
# RB1450 - SHUTTLE & BALE SIZE INDICATOR



IMPORTANT: Order by Part Number - DO NOT use Illustration Reference Numbers.

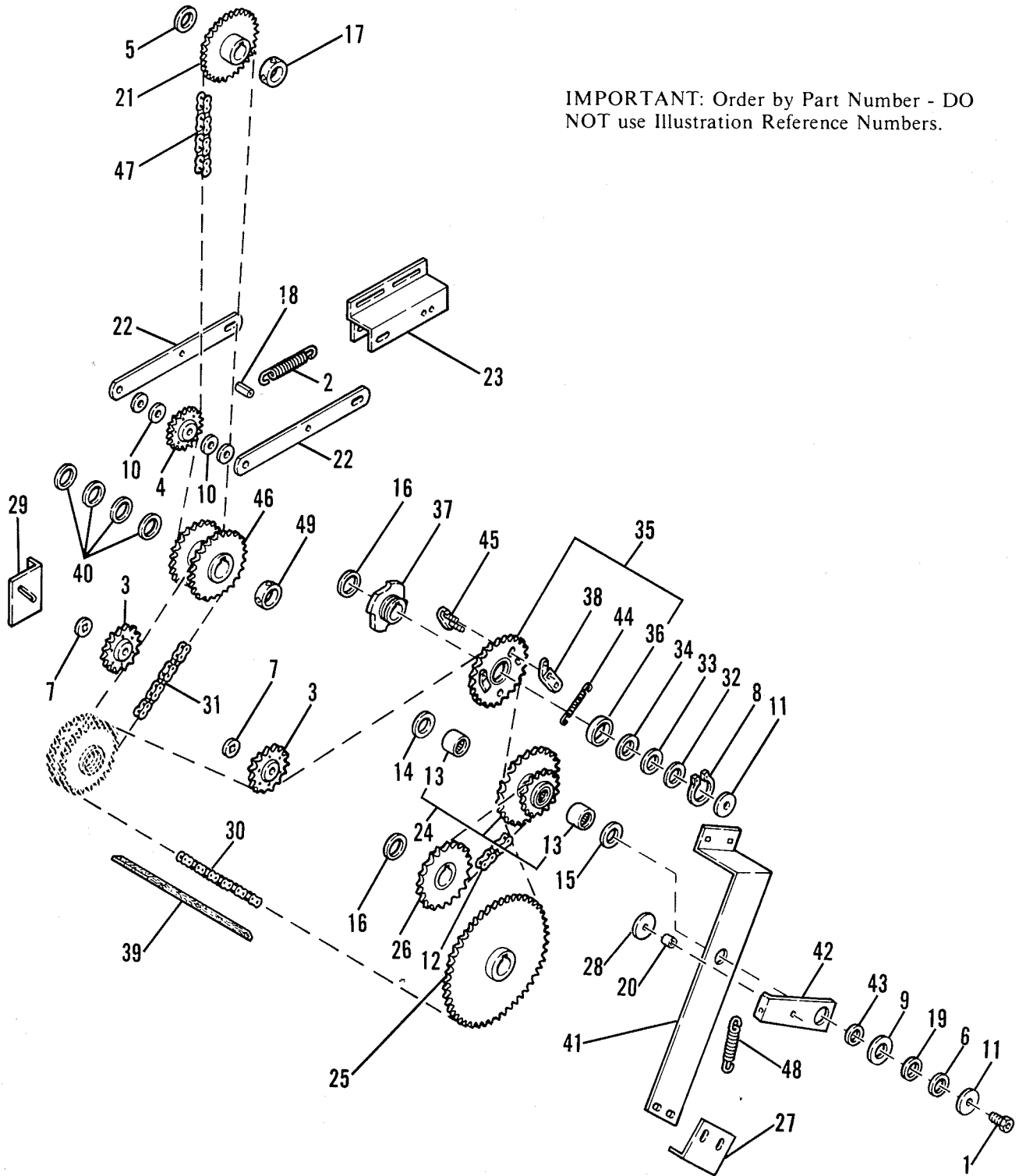
Ref. No.	Part No.	Part Name	No. Req.	Ref. No.	Part No.	Part Name	No. Req.
1	9H300	Lock Pin	2	12	061509	Retainer Shim	2
2	H7165	Washer	2	13	066155	Rewrap Rod	1
		(Four used before Serial #12356)				(4) 5/8 HN	
3	B11433A	Release Chain Hook	5	14	066160	Square Key 5/16 x 2	2
4	074408	Jackshaft Collar	2	15	066172	Eyebolt	2
		(Used after Serial #12355)				(4) 5/16 HN - (2) PW	
	041155	Jackshaft Collar	2	16	066173	Bale Size Indicator	1
		(Used before Serial #12356)			650490	HHCS 3/8 x 1	2
	650449	HHCS 1/4 x 2-1/2	2			(2) 3/8 HN - (2) LW - (4) PW	
		(2) 1/4 HLN		17	066174	Indicator Base	1
5	051525	Bearing Retainer	4	18	070643	Plain Link	4
	650704	CB 3/8 x 1	6	19	070701	Sprocket (21T)	2
		(6) 3/8 HN - (6) LW		20	070730	Chain Takeup	1
6	052595	Cord 3/16 x 138	1			(2) 3/4 HN	
7	055142	Spring Washer	2	21	071660	Pulley - 3/4" Dia.	4
8	056336	Extension Spring	1		650487	HHCS 5/16 x 1	2
9	057179	Ball Bearing	2			(2) 5/16 HLN - (6) PW	
10	057980	Hook	2	22	071942	Roller Chain (#60) of 89 Links Only	2
	650495	HHCS 1/2 x 1-1/4	2	23	071981	Shuttle	1
		(2) 1/2 NILN			650834	CB 1/2 x 1-1/2	2
11	059720	Take-up Retainer	2			(2) 1/2 HJN - (2) HN	
	650487	HHCS 5/16 x 1	1	24	071986	Stabalizer Shaft	1
		(1) 5/16 HN - (1) LW					

# RB1450 - SPROCKET & ROLLER PART NUMBER GUIDE



# RB1450 - ROLLER DRIVE

IMPORTANT: Order by Part Number - DO NOT use Illustration Reference Numbers.



## RB1450 - ROLLER DRIVE

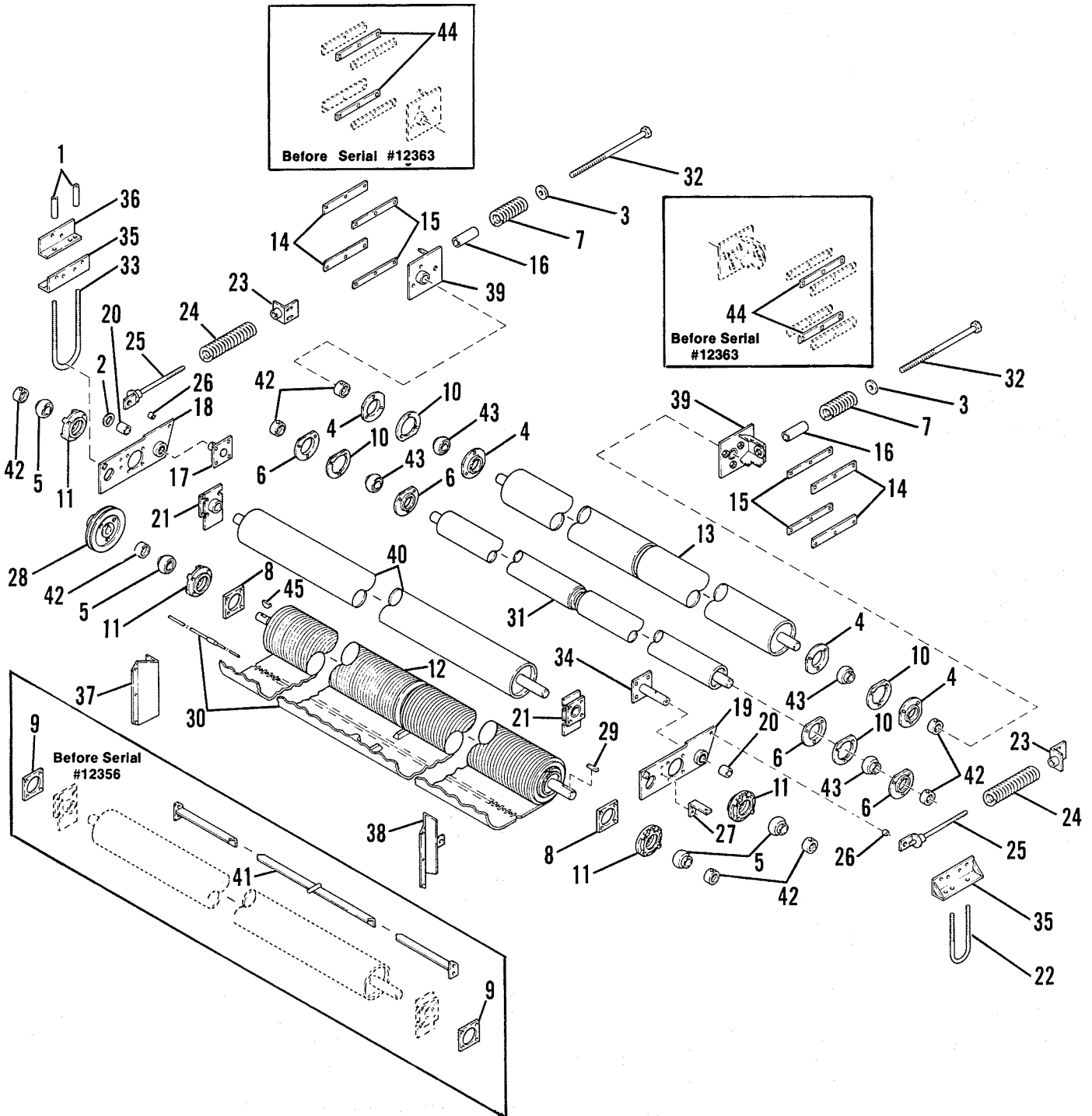
Ref. No.	Part No.	Part Name	No. Req.	Ref. No.	Part No.	Part Name	No. Req.
1	9H240	Cap Screw	1	30	052575	Chain #60 of 132 Links Including	
	570019	Grease Fitting	1			One 500160 Connector	1
2	17H349	Chain Tightener Spring	1			(Used after Serial #12362)	
3	H7812	Chain Tightener Sprocket (15T)	2		066545	Chain #60 of 134 Links Including	
	650774	CB 1/2 x 2	2			One 500160 Connector	1
		(2) 1/2 HN - (2) LW				(Used before Serial #12363)	
4	D9130	Idler Sprocket (17T)	1	31	069084A	Chain #60 of 50 Links Including	
	650502	HHCS 1/2 x 2-1/4	1			One 500160 Connector	1
		(1) 1/2 HN - (1) LW - (2) PW				(Used after Serial #12362)	
5	B11162B	Shim Washer	1		068921	Chain #60 of 51 Links Including	
6	C14121	Washer	1			One 500160 Connector & One	
7	048459	Washer	2			500161 Offset Coupler	1
8	052205	Retaining Ring	1				
9	054353	Washer	As Req'd.				
10	055098	Washer	2				
11	055447	Washer	2	32	069792	Washer	1
12	055458	Roller Chain (#60) of 32 Links		33	069793	Washer	1
		Including One (500160) Connector		34	069794	Washer	1
		Link	1	35	069846	Sprocket (24T)	1
13	056345	Needle Bearing	2			(Includes 069847 Bushing)	
14	057350	Thrust Bearing Race	1	36	069847	Bushing	1
15	057351	Thrust Bearing Race	1	37	069850	Clutch Plate	1
16	057617	Washer	2	38	070072	Spring Extension Bracket	1
17	058489	Set Collar	1	39	070639	Chain Slide	1
	650204	SHSS 5/16 x 3/8	2		650704	CB 3/8 x 1	2
18	058493	Idler Bracket Spacer	1			(2) 3/8 HN - (2) LW	
19	061529	Washer Shim	As Req'd.	40	070736	Washer	4
20	074027	Spacer	1	41	070747	Outboard Support	1
		(Used after Serial #12362)			650704	CB 3/8 x 1	2
	062102	Spacer	1			(2) 3/8 HN - (2) LW	
		(Used before Serial #12363)		42	074029	Idler Arm	1
21	066386	Sprocket (29T)	1			(Used after Serial #12362)	
22	066392	Idler Arm	2		650569	CS 1/2 x 1-3/4 (LN)	1
23	066393	Idler Bracket	1		070748B	Idler Arm	1
	650493	HHCS 3/8 x 2-3/4	2			(Used before Serial #12363)	
		(2) 3/8 HLN - (2) PW			650692	CS 5/16 x 1-3/4 (LN,P,L)	1
24	066398	Idler Sprocket (15-25T)	1	43	070749	Spacer	1
		(Includes Two 056345 Needle Bearings)		44	070870	Extension Spring	1
25	066402	Sprocket (48T)	1	45	071290	Clutch Link	1
26	066409	Sprocket (21T)	1			(2) 5/16 NILN	
	650213	SHSS 3/8 x 3/8	2	46	071396	Sprocket (24-26T)	1
27	066413	Bracket	1	47	071941	Roller Chain (#50) of 153 Links	
	650490	HHCS 3/8 x 1	2			Including One (500057) Plain	
	650491	HHCS 3/8 x 1-1/4	2			Connector & One (500058) Offset	
		(4) 3/8 HN - (4) LW - (6) PW				Connectors	1
28	074028	Washer	1	48	071999	Extension Spring	1
		(Used after Serial #12362)		49	072069	Lock Collar	1
	066417	Washer	1		650733	HHCS 5/16 x 2-1/2	1
		(Used before Serial #12363)				(1) 5/16 HN	
29	075689	Idler Bracket	1				
		(After Serial #12362)					
	066419	Idler Bracket	1				
		(Before Serial #12363)					
	650704	CB 3/8 x 1	2				
		(2) 3/8 HN - (2) LW					

**A** For replacement, order 60HE Chain 075412.

**B** For replacement, order Arm 074029 and Kit 074890 which contains (1) 1/2 x 1-3/4 CS, (1) 1/2 LN, (1) 074027 Spacer & (1) 074028 Washer.

# RB1450 - LOWER ROLLERS

IMPORTANT: Order by Part Number - DO NOT use Illustration Reference Numbers.



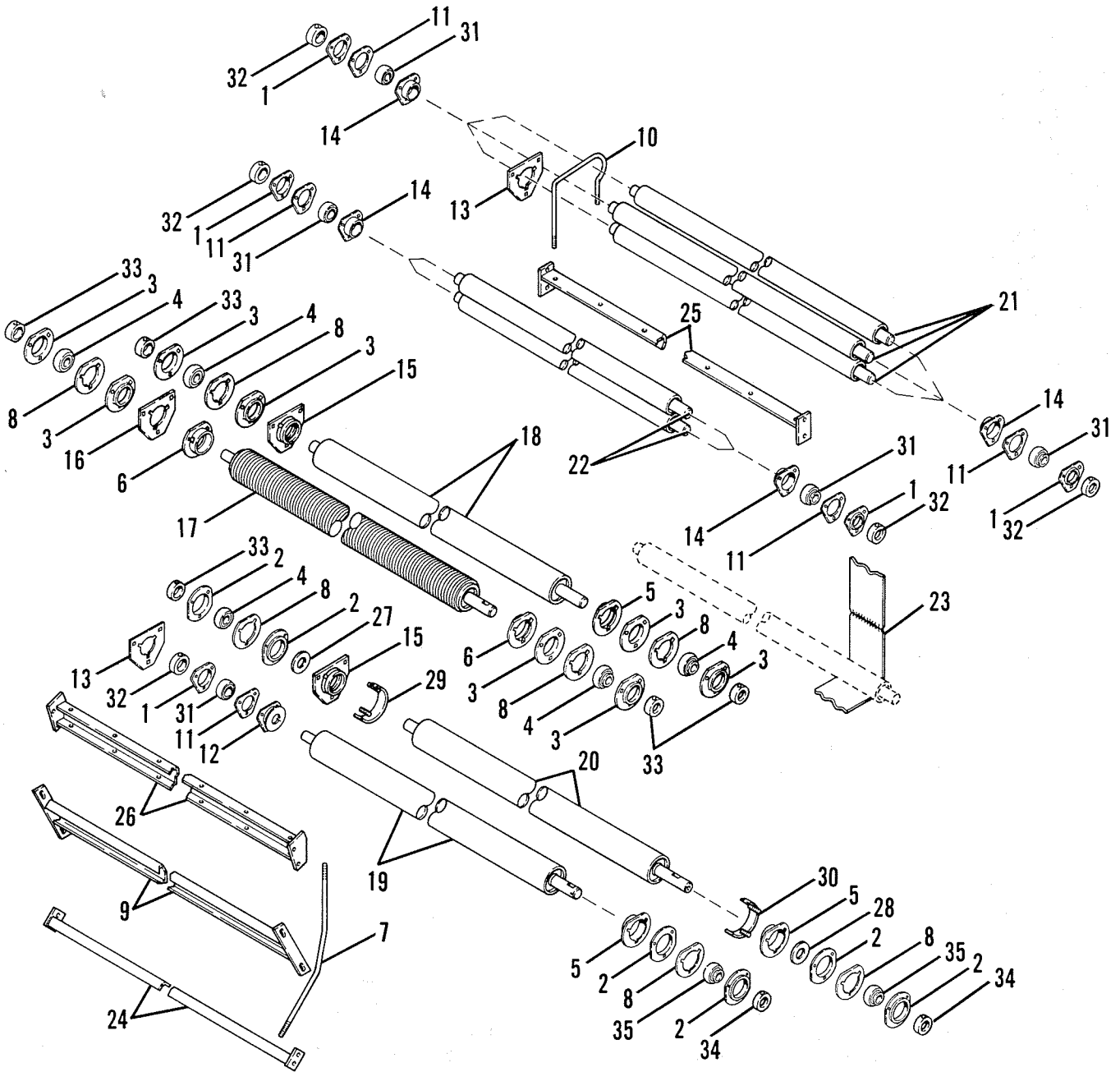
## RB1450 - LOWER ROLLERS

Ref. No.	Part No.	Part Name	No. Req.	Ref. No.	Part No.	Part Name	No. Req.
1	D9128A	Spacer	2	28	066524	Sheave - 7-5/8 Dia.	1
2	B11090	Eccentric Spacer	1		650213	SHSS-SL 3/8 x 3/8	3
3	M12234	Washer	2	29	068734B	Tapered Key 3/8 x 2	1
4	S16215	Bearing Retainer	4	30	074725C-D	Apron Belt	1
	650490	CS 3/8 x 1 (L)	6			(Used after Serial #12362)	
5	041499	Ball Bearing	4		069784C-D-E	Apron Belt	1
6	051525	Bearing Retainer	4			(Used before Serial #12363)	
	650704	CB 3/8 x 1 (N,L)	6	31	069790	4" Tracking Roller	1
7	056344	Compression Spring	2	32	069853	CS 3/4 x 16	2
8	057958	Roll Plate 9-1/2"	2			(2) 3/4 JN	
9	057960	Roller Spacer	2	33	070599	U-Bolt	1
		(Used before Serial #12356)				(4) / 2 N,2P	
10	061509	Retainer Shim	4	34	074669	Left Jackshaft	1
11	061809	Bearing Housing	4			(Used after Serial #12362)	
	570003	Grease Fitting	4		070738A	Left Jackshaft	1
	650579	CS 3/8 x 1-3/4 (N,L)	16			(Used before Serial #12363)	
12	066184	Lower Belt Drive Roller	1		570019	Grease Fitting	1
	650513	Woodruff Key 1/4 x 1	1		650790	CB 3/8 x 3/4 (LN)	4
13	066186	Lower Belt Idler Roller	1			(1) 1/2 LN	
14	066193	Outer Slide	4	35	070740	Roll Arm Stop Bracket	2
	650786	CB 3/8 x 1-1/4 (N,L)	12		650490	CS 3/8 x 1 (N,3L)	2
15	074239	Inner Slide	4		650786	CS 3/8 x 1-1/4 (N,L)	4
		(Used after Serial #12362)		36	070742	Spring Anchor Support Bracket	1
	066194	Inner Slide	4		650704	CB 3/8 x 1 (N,L)	2
		(Used before Serial #12363)			650495	CS 1/2 x 1-1/4 (N,L,P)	1
16	066195	Snubber	2	37	071648	Right Deflector	1
17	074667	Right Jackshaft	1		650486	CS 5/16 x 3/4 (N,L)	2
		(Used after Serial #12362)			650949	THMS 5/16 x 3/4 (N,L)	1
	066197A	Right Jackshaft	1		650490	CS 3/8 x 1 (N,L,P)	1
	650554	Cotter Pin 1/4 x 2-1/4	1	38	071650	Left Deflector	1
	650790	CB 3/8 x 3/4 (LN)	4		650486	CS 5/16 x 3/4 (N,L)	2
18	073387	Right Roll Arm	1		650949	STHMS 5/16 x 3/4 (N,L)	1
		(Used after Serial #11955)			650490	CS 3/8 x 1 (N,L,P)	1
	066204A	Right Roll Arm	1	39	072022	Slide	2
		(Used before Serial #11956)		40	072176	Packing Roller	1
	570003	Grease Fitting	1		655536	Woodruff Key 3/8 x 1-1/4	1
19	073389	Left Roll Arm	1	41	075271	Scraper	1
		(Used after Serial #11955)			650490	CS 3/8 x 1 (N,L)	4
	066205A	Left Roll Arm	1	42	520093	Bearing Lock Collar	8
		(Used before Serial #11956)		43	520158	Ball Bearing	4
	570002	Grease Fitting	1	44	074140	Slide Shim	4
20	066208	Bushing	2			(Used before Serial #12363)	
21	066210	Slide	2	45	073846	Woodruff Key 1/4 x 1	1
22	066218	U-Bolt	1			(Used after Serial #12355)	
		(4) 1/2 N					
23	066219	Spring Mount	2				
	650704	CB 3/8 x 1 (N,L,P)	4				
24	C14084	Compression Spring	2				
		(Used after Serial #12362)					
	066221A	Compression Spring	2				
		(Used before Serial #12363)					
25	066222	Spring Guide Arm	2				
	650495	CS 1/2 x 1-1/4 (LN,P,NILN)	2				
26	066226	Pivot Bushing	2				
27	066412	Spring Bracket	1				
	650487	CS 5/16 x 1 (N,L)	2				

- A For replacement, order current part number.
- B For replacement, order Kit 900415 containing 5 Keys.
- C For Belt service, a 12" Belt Splice 067152 is available, see pages titled Option & Accessories.
- D For Reconditioned Belt, order 074100.
- E For replacement, order new Belt 074725 or reconditioned Belt. Both Belts include Lacing Pins.

# RB1450 - UPPER ROLLERS

IMPORTANT: Order by Part Number - DO NOT use Illustration Reference Numbers.





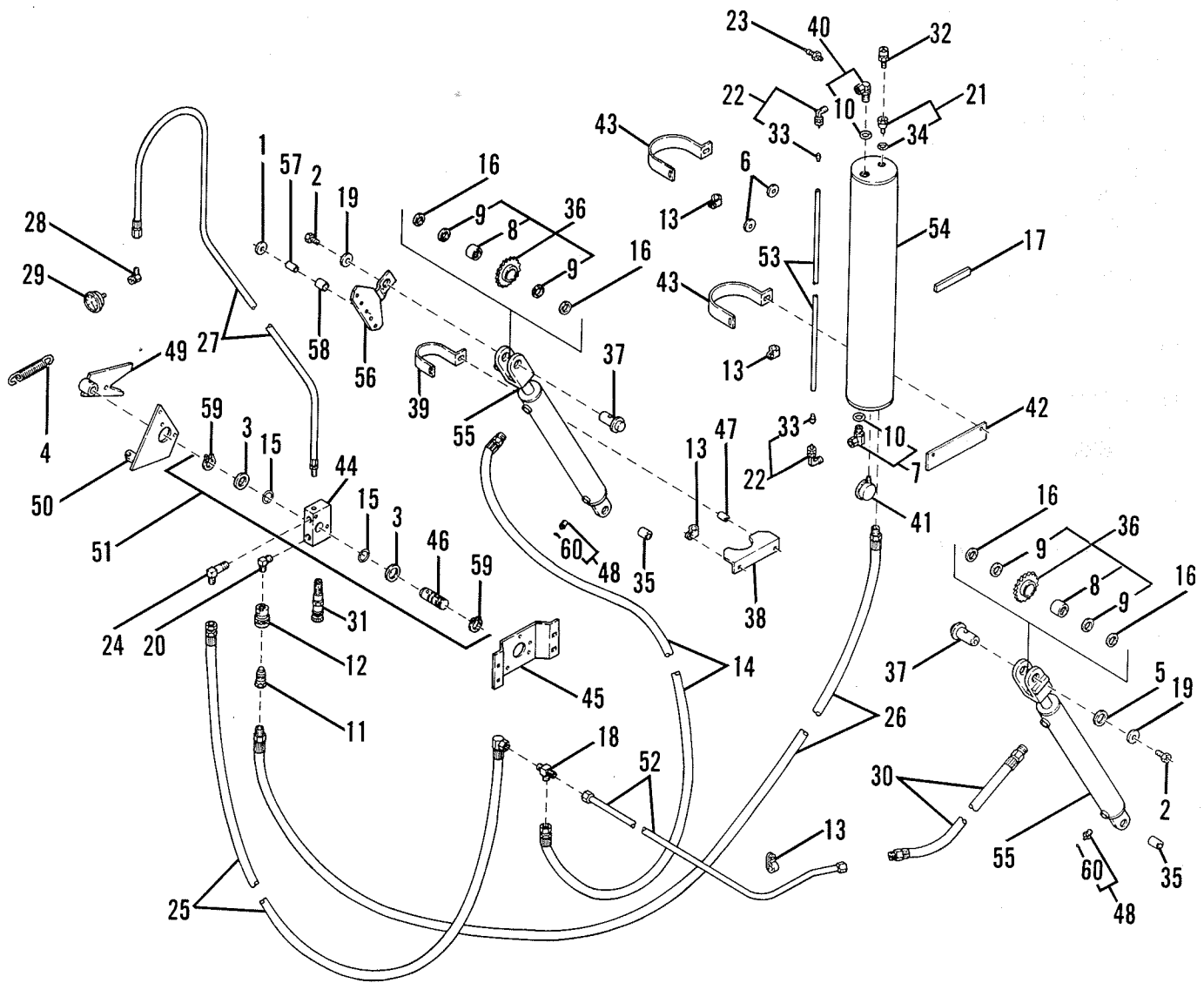
## RB1450 - UPPER ROLLERS

Ref. No.	Part No.	Part Name	No. Req.	Ref. No.	Part No.	Part Name	No. Req.
1	H8334	Bearing Retainer .....	11	21	071767	Rear Roller .....	3
	650704	CB 3/8 x 1 .....	33	22	071768	Shuttle Roller .....	2
	(15) 3/8 HN - (15) LW			23	071968 <sup>A-B-C</sup>	Upper Belt .....	5
2	S16215	Bearing Retainer .....	6	24	071972	Belt Guide .....	1
	650704	CB 3/8 x 1 .....	3		650490	HHCS 3/8 x 1 .....	6
	650786	CB 3/8 x 1-1/4 .....	2		(6) 3/8 HN - (6) LW		
	(9) 3/8 HN - (9) LW			25	071974	Belt Guide .....	2
3	051525	Bearing Retainer .....	8		650490	HHCS 3/8 x 1 .....	6
	650704	CB 3/8 x 1 .....	9		650491	HHCS 3/8 x 1-1/4 .....	2
	650786	CB 3/8 x 1-1/4 .....	3		(8) 3/8 HN - (10) LW		
	(12) 3/8 HN - (12) LW			26	071976	Top Front Belt Guide .....	1
4	057179	Ball Bearing .....	5		650490	HHCS 3/8 x 1 .....	4
5	057965	Left Roll Shield .....	3		(4) 3/8 HN - (4) LW		
6	057967	4" Roll Shield .....	2	27	072938	Right Shield .....	1
7	059650	Front Guide Rod .....	6		(Used Only after Serial #11738)		
8	061509	Retainer Shim .....	7	28	072939	Left Shield .....	1
9	066170	Guard .....	1		(Used Only after Serial #11738)		
	650490	HHCS 3/8 x 1 .....	4	29	072940	Right Roll Shield .....	1
	(4) 3/8 HN - (4) LW - (4) PW				(Used Only after Serial #11738)		
10	066178	Rear Guide Rod .....	6	30	072943	Left Roll Shield .....	1
	(24) 1/2 HN				(Used Only after Serial #11738)		
11	066181	Bearing Spacer .....	11	31	520065	Ball Bearing .....	11
12	066182	Roll Shield .....	1	32	520085	Bearing Lock Collar .....	11
13	066183	Plate .....	2	33	520090	Bearing Lock Collar .....	5
14	066309	Retainer .....	10	34	520093	Bearing Lock Collar .....	2
15	070702	Right Roller Shield .....	2	35	520158	Ball Bearing .....	2
16	070703	Plate .....	1				
17	071763	Upper Ticor Roller .....	1				
	655539	Woodruff Key 1/2 x 1-1/8 .....	1				
18	071764	Rewrap Roller .....	1				
19	071765	Center Drive Roller .....	1				
	655537	Woodruff Key 5/16 x 1-1/4 .....	1				
20	071766	Scraper Roller .....	1				
	655537	Woodruff Key 5/16 x 1-1/4 .....	1				
	650494	HHCS 1/2 x 1 .....	1				
	(1) 1/2 LW						

- A** For Upper Belt repair, order 072042 6" Dutchman Kit.
- B** For Upper Belt Lacing Kit, order 901733.
- C** For Replacement of Connector Pin, order only part #060345 72" Cable and cut into length required.

# RB1450 - TOTAL DENSITY CONTROL (TDC)

IMPORTANT: Order by Part Number - DO NOT use Illustration Reference Numbers.



## RB1450 - TOTAL DENSITY CONTROL (TDC)

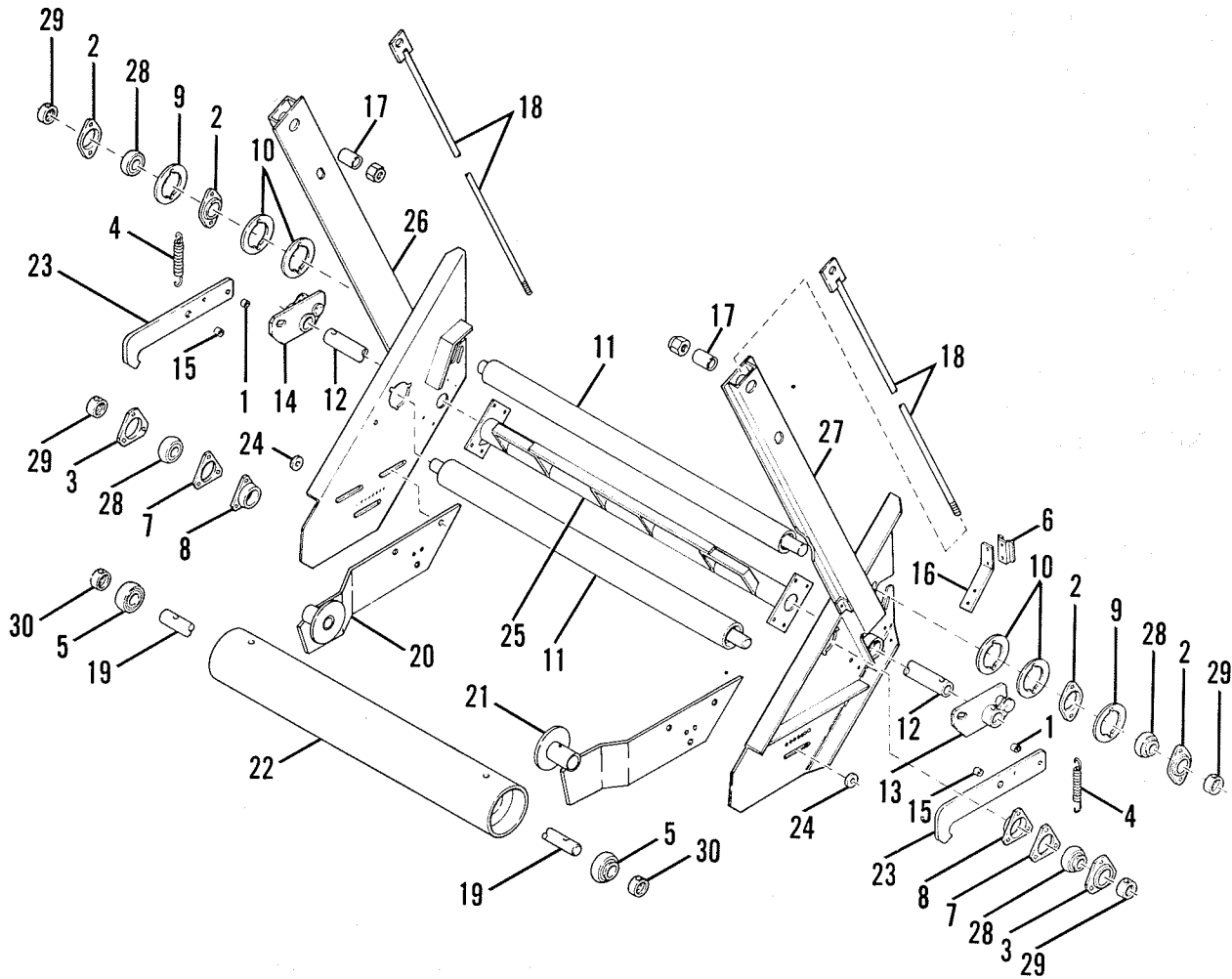
Ref. No.	Part No.	Part Name	No. Req.	Ref. No.	Part No.	Part Name	No. Req.
1	7K73	Washer.....	1	35	070757	Spacer.....	2
2	9H240	HHCS 1/2 x 1 Grade 2.....	2	36	070758	Sprocket (16T).....	2
	570019	Grease Fitting.....	2		570019	Grease Fitting.....	2
3	H267A	Washer.....	2		(2) 1/2 LW		
4	U10014B	Pawl Spring.....	1	37	070765	Pin.....	2
	650491	HHCS 3/8 x 1-1/4.....	1	38	070767	Support Angle.....	1
	650492	HHCS 3/8 x 2-1/2.....	1	39	070768	Cylinder Strap.....	1
	(4) 3/8 HN				652053	CB 3/8 x 2.....	1
5	B11162B	Shim Washer.....	1		(2) 3/8 HN - (1) LW - (3) PW		
6	B11343	Stake Bolt Washer.....	2	40	070775	90° Elbow.....	1
7	042598	90° Swivel Adapter Union.....	1	41	070777	Gauge.....	1
8	051250	Needle Bearing.....	2	42	070778	Angle.....	1
9	053342	Oil Seal.....	4	43	070779	Accumulator Strap.....	2
10	055896	O-Ring.....	2		650773	CB 3/8 x 1-1/2.....	2
11	056080	Male Quick-disconnect.....	1		(4) 3/8 HN - (4) LW - (6) PW		
12	056081	Female Quick-disconnect.....	1	44	070787	Manifold.....	1
13	056773	Clamp.....	6	45	070788	Manifold Bracket.....	1
	650490	HHCS 3/8 x 1.....	3	46	070789	Valve Spool.....	1
	650704	CB 3/8 x 1.....	3	47	071156	Spacer.....	1
	(6) 3/8 HN - (6) LW - (6) PW			48	071415	Relief Fitting.....	2
14	058613	Hose - 33".....	1	49	071739	Valve Trip.....	1
15	059424	O-Ring.....	2		650535	HHCS 3/8 x 2-1/4.....	1
16	061529	Washer Shim.....	4		(1) 3/8 HLN		
17	062871	Foam Pad.....	1	50	071741	Stop Bracket.....	1
18	064669	Straight Thread Union Tee.....	1		650733	HHCS 5/16 x 2-1/2.....	2
19	065663	Washer.....	2		(2) 5/16 HN - (2) LW		
20	067458	90° Male Pipe Elbow.....	1	51	071747	Manifold - Assembled.....	1
21	070609	Adapter.....	1	52	071938	Hydraulic Tube.....	1
22	070610	Male 90° Elbow.....	2	53	071940	Sight Tube.....	1
23	070612	Tank Valve.....	1	54	071943	Reservoir.....	1
24	070619	90° Male Pipe Elbow.....	1		(Includes Metal-trapping Magnet)		
25	070620	Hose - 34".....	1	55	071945B	Hydraulic Cylinder.....	2
26	070625	Hose - 46".....	1		(3" Bore - 20.5" Stroke)		
27	070626	Hose - 22".....	1	56	072168	Trip Arm.....	1
28	070627	90° Female Elbow.....	1	57	072171	Spacer.....	1
29	070630	Pressure Gauge.....	1	58	072172	Spacer.....	1
30	070631	Hose - 15".....	1	59	540020	Retaining Ring.....	2
31	070633A	Cartridge Valve.....	1	60	071417	O-Ring.....	2
32	070638	Relief Valve.....	1				
33	070644	Sleeve.....	2				
34	070752	O-Ring.....	1				

**A** For Valve Seal Kit, order #072855.

**B** For Hydraulic Cylinder Seal Kit, specify part #071723.

# RB1450 - REAR GATE

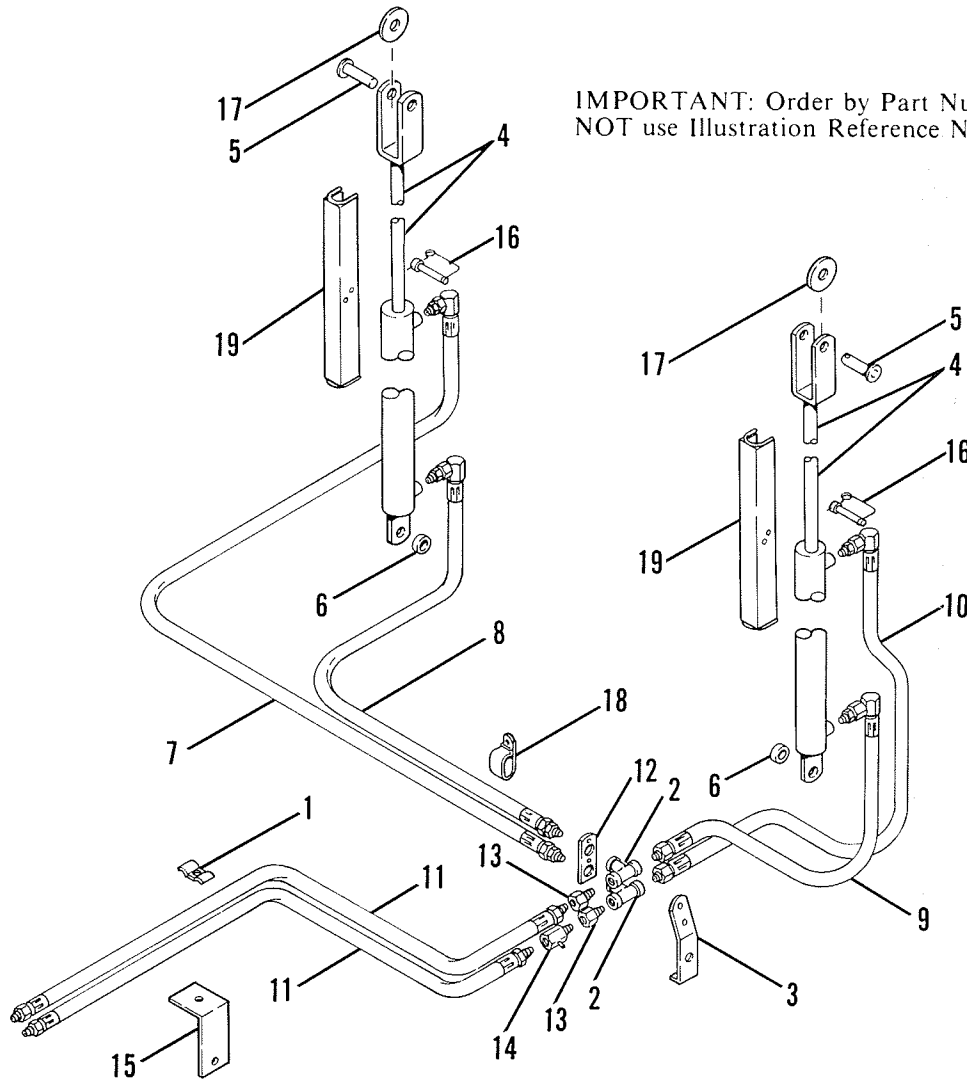
IMPORTANT: Order by Part Number - DO NOT use Illustration Reference Numbers.



## RB1450 - REAR GATE

Ref. No.	Part No.	Part Name	No. Req.	Ref. No.	Part No.	Part Name	No. Req.
1	6H130	Pivot Bearing .....	2	20	069820	Right Gate Roller Arm.....	1
	650569	HHCS 1/2 x 1-3/4 .....	2		650487	HHCS 5/16 x 1 .....	1
	(2) 1/2	NILN - (2) PW			(1) 5/16	HN - (1) LW	
2	H487	Bearing Retainer .....	4		650569	HHCS 1/2 x 1-3/4 .....	3
	650786	CB 3/8 x 1-1/4.....	4		(3) 1/2	NILN - (3) LW	
	(4) 3/8	HN - (4) LW		21	069824	Left Gate Roller Arm .....	1
3	H8334	Bearing Retainer .....	2		650487	HHCS 5/16 x 1 .....	1
	650704	CB 3/8 x 1 .....	6		(1) 5/16	HN - (1) LW	
	(6) 3/8	HN - (6) LW			650569	HHCS 1/2 x 1-3/4 .....	3
4	U10014B	Pawl Spring .....	2		(3) 1/2	HN - (3) LW	
5	041499	Ball Bearing .....	2	22	070470	Gate Roller .....	1
6	047269	SMV Emblem Mounting Socket..	1		570019	Grease Fitting.....	2
	650949	STHMS 5/16 x 3/4.....	2		650784	HHCS 5/16 x 2-3/4 .....	2
	(2) 5/16	HN - (2) LW			(2) 5/16	HLN	
7	066181	Bearing Spacer .....	2	23	070750	Gate Lock Arm .....	2
8	066309	62mm Bearing Retainer .....	2		650545	HHCS 5/16 x 1-1/4 .....	2
9	066350	Bearing Spacer .....	2		(4) 5/16	HN	
10	066351	Bearing Spacer .....	4		650585	HHCS 1/2 x 2 .....	2
11	066352	Rear Roller .....	2		(2) 1/2	PW	
12	066363	Gate Lock Pivot Tube .....	1	24	071520	Washer.....	6
	650492	HHCS 3/8 x 2-1/2 .....	2	25	071978	Belt Guide.....	1
	(2) 3/8	HLN			650490	HHCS 3/8 x 1 .....	8
13	066364	Left Torsion Arm .....	1		(8) 3/8	HN - (8) LW	
14	066365	Right Torsion Arm .....	1	26	072017	Right Gate .....	1
15	066369	Gate Lock Arm Bushing.....	2		570009	Grease Fitting.....	1
16	066376	SMV Emblem Bracket .....	1		650487	HHCS 5/16 x 1 .....	1
	650486	HHCS 5/16 x 3/4 .....	2		(2) 5/16	HN	
	(2) 5/16	HN - (2) LW		27	072020	Left Gate.....	1
17	066377	Gate Pivot Bushing .....	2		570009	Grease Fitting.....	
18	066380	Lift Rod .....	2		650487	HHCS 5/16 x 1 .....	1
	(2) 1/2	NILN			(2) 5/16	HN	
19	069789	Gate Roller Shaft.....	1	28	520065	Ball Bearing .....	4
	650784	HHCS 5/16 x 2-3/4 .....	2	29	520085	Bearing Lock Collar .....	4
	(2) 5/16	HLN		30	520093	Bearing Lock Collar .....	2

# RB1450 - REAR GATE HYDRAULICS



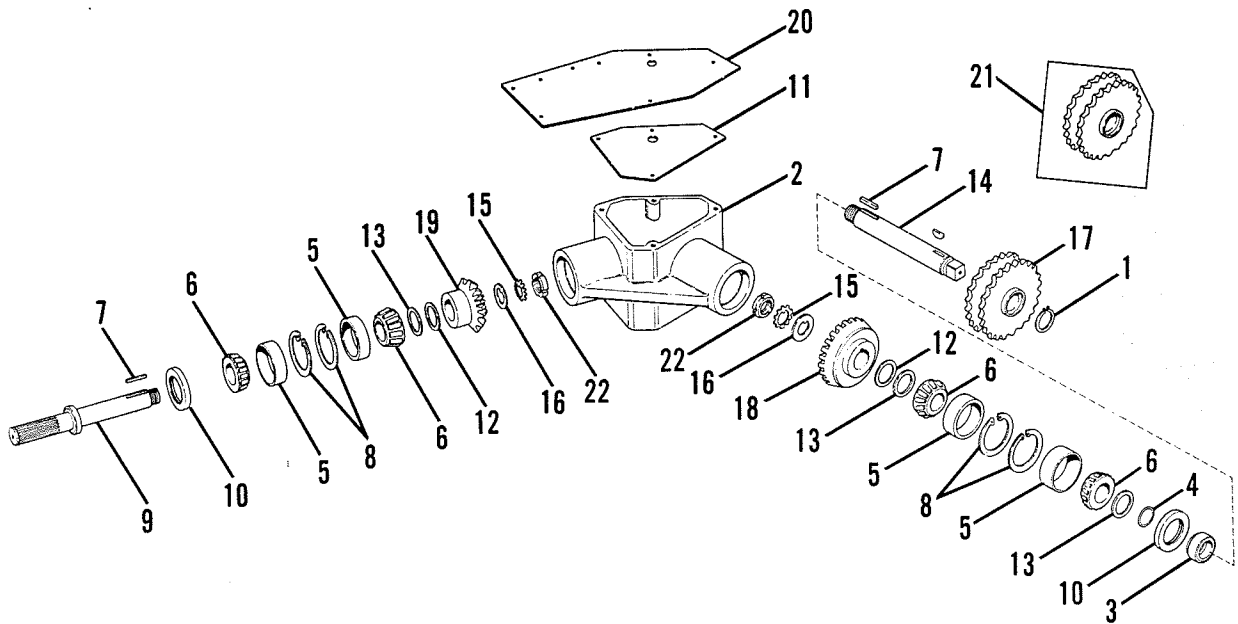
IMPORTANT: Order by Part Number - DO NOT use Illustration Reference Numbers.

Ref. No.	Part No.	Part Name	No. Req.	Ref. No.	Part No.	Part Name	No. Req.
1	H6094	Hose Clamp	3	12	066429	Retainer	1
	650453	HHCS 1/2 x 1-1/2	3		650579	HHCS 3/8 x 1-3/4	2
		(3) 1/2 NILN				(2) 3/8 HLN	
2	059113	Pipe Tee 1/4"	2	13	066431	Reducing Connector	2
3	066260	Junction Plate	1	14	066432	Unidirect Throttle Valve	1
	650579	HHCS 3/8 x 1-3/4	2	15	066446	Hose Bracket	1
		(2) 3/8 HLN			650491	HHCS 3/8 x 1-1/4	1
4	066378A	Cylinder - 2" Bore & 15.12 Stroke	2			(1) 3/8 HN - (1) LW	
	650913	HHCS 1NF x 2-1/2	2	16	066452	Lock Pin	2
		(2) 1" NILN - (2) PW		17	067491	Washer	2
5	066383	Pin	2	18	067880	Hose Clamp	5
	650022	Cotter Pin 3/16 x 1-3/4	2		650486	HHCS 5/16 x 3/4	3
6	066385	Cylinder Anchor Pivot	2			(3) 5/16 HN - (3) LW	
7	066424	Hose - 130"	1		650490	HHCS 3/8 x 1	1
8	066425	Hose - 112"	1		650491	HHCS 3/8 x 1-1/4	1
9	066426	Hose - 72"	1			(2) 3/8 HN - (2) LW	
10	066427	Hose - 90"	1	19	072009	Cylinder Lock	2
11	066428	Hose - 100"	2				

A For Hydraulic Cylinder Seal Kit, specify part #066551.

# RB1450 - TRANSMISSION

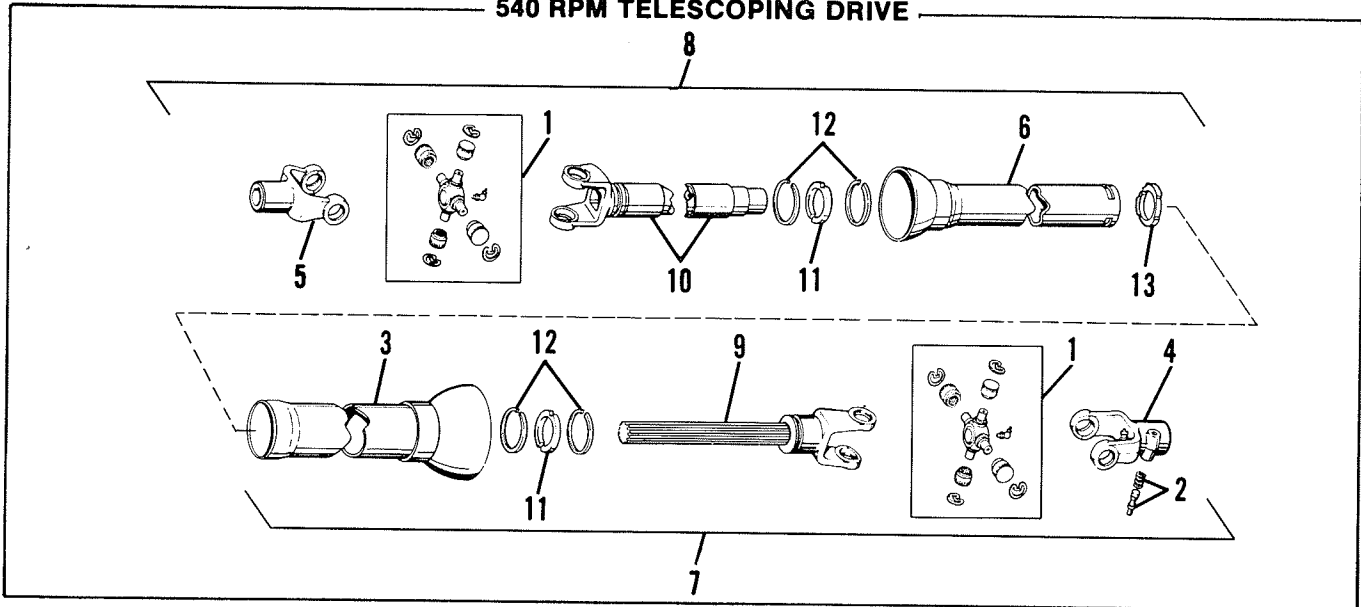
IMPORTANT: Order by Part Number - DO NOT use Illustration Reference Numbers.



Ref. No.	Part No.	Part Name	No. Req.	Ref. No.	Part No.	Part Name	No. Req.
	074671	Transmission - Assembled	1				
		(Used after Serial #12362)					
	066245	Transmission - Assembled	1				
		(Used before Serial #12363)					
		Consists of:					
1	054161	Snap Ring	1	14	065728	Drive Shaft	1
2	059554	Transmission Housing	1		655536	Woodruff Key 3/8 x 1-1/4	1
	660004	Pipe Plug - 1/2"	1	15	065730	Lock Washer	2
3	059562	Hub	1	16	065731	Tongued Washer	2
4	059563	O-Ring	1	17	067166	Double Sprocket (21/21T)	1
5	059564	Bearing Cup	4			(Used after Serial #12362)	
6	059565	Bearing Cone	4		066246	Double Sprocket (24/24T)	1
7	059566	Key (3/8 x 3/8 x 1-1/2)	2			(Used before Serial #12363)	
8	059567	Snap Ring (Internal)	4			(540 RPM)	
9	059569	Drive Shaft	1	18	066252	Transmission Gear (24T)	1
10	059572	Oil Seal	2	19	066253	Transmission Gear (15T)	1
11	059574	Transmission Gasket	1	20	066254	Transmission Cover	1
12	060515	Shim Washer	As Req'd.		570016	Relief Fitting	1
13	060516	Shim Washer	As Req'd.		650495	HHCS 1/2 x 1-1/4	4
					(4) 1/2 LW		
				21	067170	Double Sprocket (14T-14T)	1
						(1000 RPM Only)	
				22	520000	Lock Nut	2

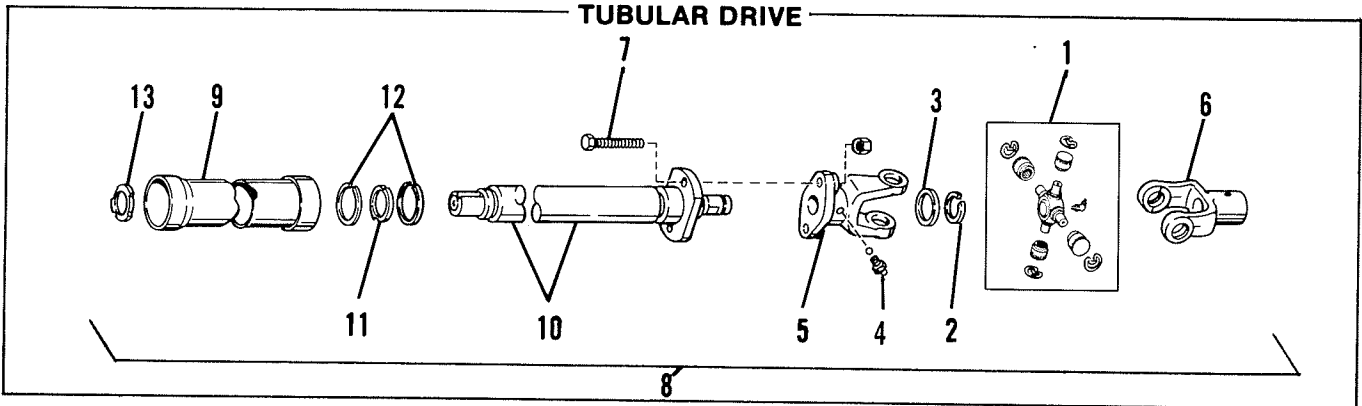
# RB1450 - UNIVERSAL DRIVES

## 540 RPM TELESCOPING DRIVE



Ref. No.	Part No.	Part Name	No. Req.	Ref. No.	Part No.	Part Name	No. Req.
1	045327	Center Cross Kit .....	2	8	061125	Universal Joint w/Spline Tube - Assembled .....	1
	570014	Grease Fitting .....	2				
2	053865	Lockpin & Spring .....	1	9	061126	Yoke w/Spline Shaft .....	1
3	055354	Female Guard .....	1	10	061127	Yoke w/Spline Tube .....	1
4	055355	Tractor Yoke (6 Spline) .....	1	11	510023	Nylon Bearing .....	1
5	055356	Yoke (1-5/16 Bore) .....	1	12	510100	Bearing Retainer .....	4
6	055358	Male Guard .....	1	13	510215	Nylon Centralizer .....	1
7	061124	Universal Joint w/Spline Shaft - Assembled .....	1				

## TUBULAR DRIVE



Ref. No.	Part No.	Part Name	No. Req.	Ref. No.	Part No.	Part Name	No. Req.
1	045327	Center Cross Kit .....	2	8	066284	Tubular Drive - Assembled .....	1
	570014	Grease Fitting .....	2	9	066554	Guard Tube .....	1
2	045882	Retaining Ring .....	1	10	066555	Drive Shaft .....	1
3	045883	Washer .....	1	11	510023	Nylon Bearing .....	2
4	059579	Lube Fitting & Ball .....	1	12	510100	Bearing Retainer .....	2
5	059580	Shear Bolt .....	1	13	510215	Centralizer Bearing .....	1
6	059581	Yoke .....	1				
7	061700A	Shear Bolt 5/16 x 1-3/4 Grade 2 (540 RPM) .....	1				
	066285B	Shear Bolt 5/16 x 1-1/2 Grade 2 (1000 RPM) .....	1				

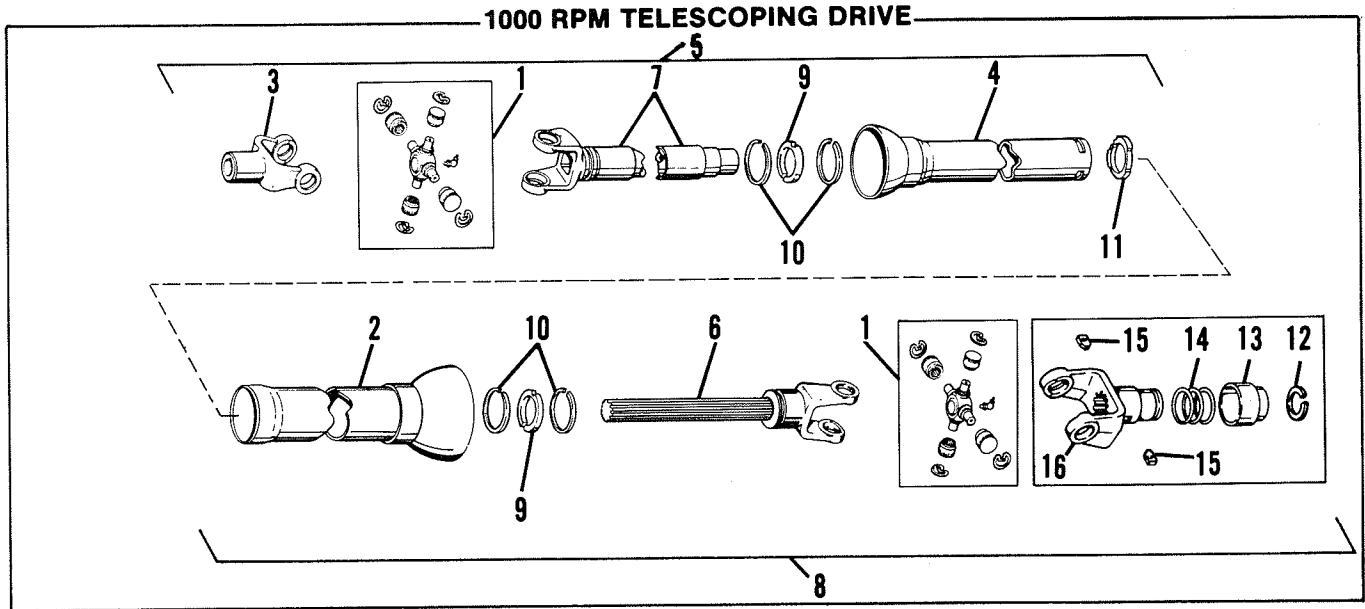
(1) 5/16 HLN

A For Replacement 540 RPM Shear Bolts, order Kit 900015 (containing 8 Bolts).

B For Replacement 1000 RPM Shear Bolts, order Kit 902261 (containing 8 Bolts).



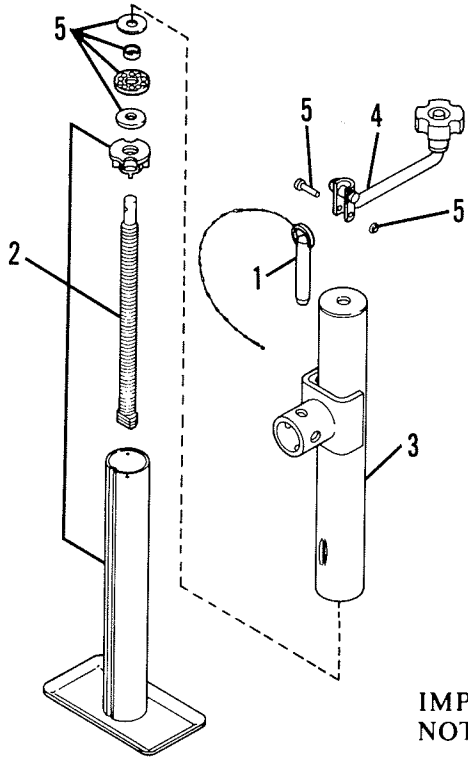
# RB1450 - UNIVERSAL DRIVES



Ref. No.	Part No.	Part Name	No. Req.	Ref. No.	Part No.	Part Name	No. Req.
1	045327	Center Cross Kit .....	2	9	510023	Nylon Bearing .....	2
	570014	Grease Fitting.....	2	10	510100	Bearing Retainer .....	4
2	055354	Female Guard.....	1	11	510215	Nylon Centralizer.....	1
3	055356	Yoke - (1-5/16 Bore).....	1	12	510226	Retaining Ring .....	1
4	055358	Male Guard .....	1	13	510227	Collar.....	1
5	061125	Universal Joint w/Spline Tube - Assembled.....	1	14	510228	Spring .....	1
6	061126	Yoke w/Spline Shaft.....	1	15	510229	Pawl.....	2
7	061127	Yoke w/Spline Tube .....	1	16	510233	Slide Lock Yoke .....	1
8	067173	Universal Joint w/Spline Shaft - Assembled.....	1				

# RB1450 - HITCHJACK

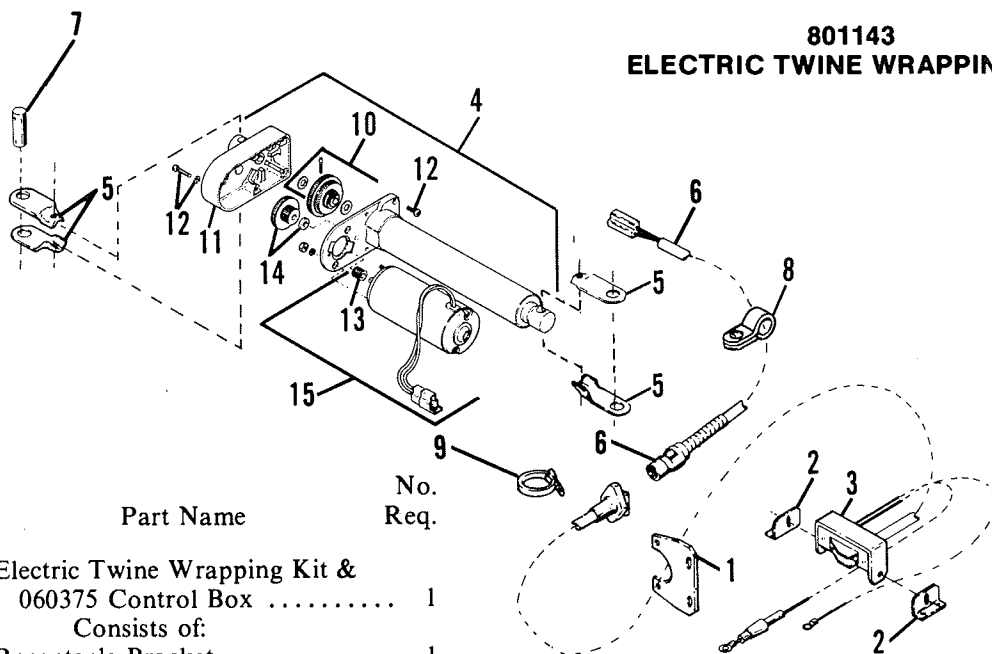
## 071117 - HITCHJACK ASSEMBLED



Ref. No.	Part No.	Part Name	No. Req.
	071117	Hitchjack - Assembled .....	1
Consists of:			
1	061276	Pin & Chain .....	1
2	061293	Inside Tube .....	1
3	061294	Outside Tube .....	1
4	061295	Crank Assembly .....	1
5	071271	Jack Repair Kit .....	1
(Includes a Crank Pin, Pushnut, Thrust Washer, Ball & Cage Bearing, Felt Spacer and a Support Washer)			

**IMPORTANT: Order by Part Number - DO NOT use Illustration Reference Numbers.**

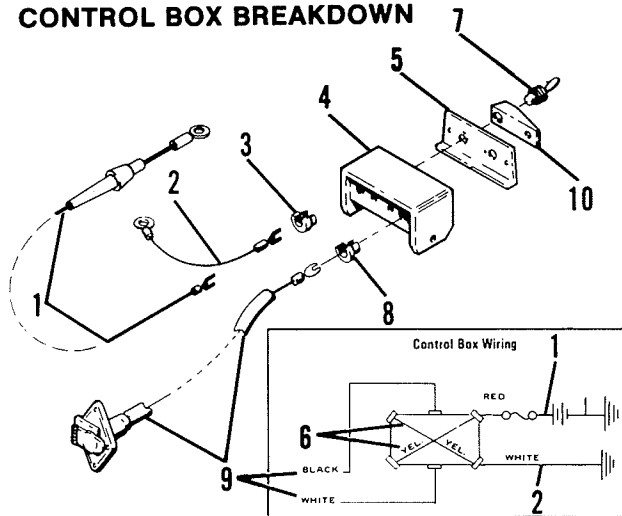
801143  
ELECTRIC TWINE WRAPPING KIT



Ref. No.	Part No.	Part Name	No. Req.
	801143	Electric Twine Wrapping Kit & 060375 Control Box	1
		Consists of:	
1	059052	Receptacle Bracket	1
	650487	HHCS 5/16 x 1	2
		(2) 5/16 HN - (2) LW - (2) PW	
2	059053	Mounting Bracket	2
	650448	HHCS 1/4 x 3/4	4
		(4) 1/4 HN - (4) LW	
3	060375	Control Box - Assembled	1
	650943	STHMS 1/4 x 1/2	2
		(2) 1/4 HN - (2) LW	
4	061058	Actuator - Assembled	1
5	061059	Yoke Clip	4
	650585	HHCS 1/2 x 2	2
		(2) 1/2 HLN	
6	061060	Power Cable	1
	650448	HHCS 1/4 x 3/4	2
		(2) 1/4 HN - (2) LW	
7	061061	Cylinder Pin	1
	655024	Cotter Pin 3/16 x 2	2
8	061062	Wire Clamp	5
	650490	HHCS 3/8 x 1	3
		(3) 3/8 HLN - (3) PW	

Ref. No.	Part No.	Part Name	No. Req.
9	063592	Wire Wrap	1
10	071099	Clutch Assembly (Includes One 72T Gear, One Pin and Two Shim Washers)	1
11	071100	Rear Housing Assembly	1
12	071101	Screw Package (Includes Six 3/16 x 5/8 Truss Head Screws and One 3/16 x 1 Truss Head Screw & Two Lock Washers)	1
13	071102	Pinion Gear	1
14	071103	Idler Gear	1
15	071104	Motor Assembly (Includes 071102 Gear)	1

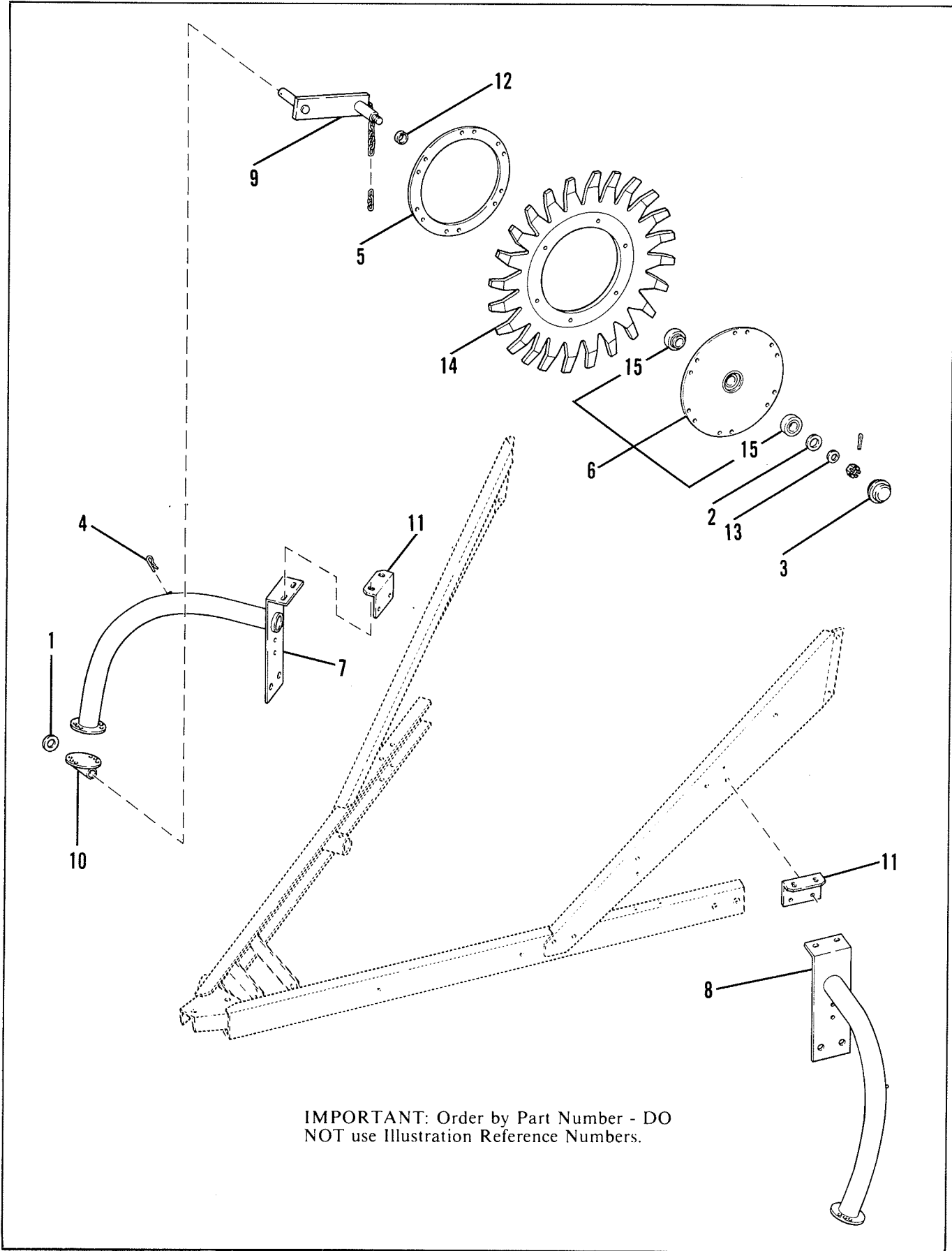
CONTROL BOX BREAKDOWN



Ref. No.	Part No.	Part Name	No. Req.
	060375	Control Box - Assembled	1
		Consists of:	
1	057778	Power Cord	1
2	057779	Ground Cable	1
3	057781	Bushing	1
4	059055A	Box	1
	650702	RHSMS #6 x 3/8	2
5	059059	Switch Plate	1
	650943	THMS 1/4 x 1/2 (N,L,3P)	1
6	059064	Cable (Yellow)	1
7	059299	Toggle Switch	1
8	059321	Strain Relief Bushing	1
9	060376	Tractor Cable	1
10	060972	Toggle Guard	1

A For replacement, order Box 069255, Backplate 069257 & Two RHSMS 650702.

# RB1450 - OPTIONS & ACCESSORIES

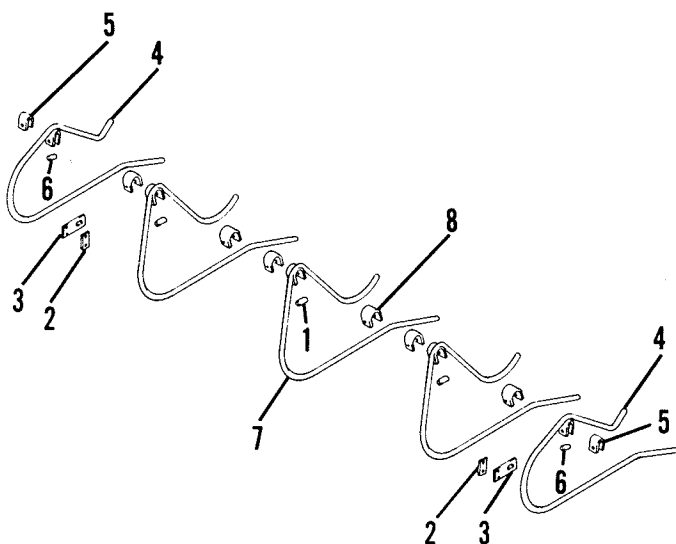


## RB1450 - OPTIONS & ACCESSORIES

### 802232 CROWDER WHEEL KIT

Ref. No.	Part No.	Part Name	No. Req.	Ref. No.	Part No.	Part Name	No. Req.
	802232	Crowder Wheel Kit .....	1	9	072651	Arm Pivot .....	2
		Consists of:			655018	Cotter Pin 3/16 x 1-1/4 .....	2
1	D932A	Washer .....	2		655022	Cotter Pin 3/16 x 1-3/4 .....	2
2	B11162B	Washer .....	2		(2) 3/4NF SN		
3	064415	Dust Cap .....	2	10	072655	Pivot Tube .....	2
4	071858	Hairpin Cotter Pin .....	2		570014	Grease Fitting .....	2
5	072627	Rubber Wheel Backup .....	2		650490	HHCS 3/8 x 1 .....	4
6	072641	Wheel Hub - Assembled .....	2		(4) 3/8 HN - (4) LW		
	650692	HHCS 5/16 x 1-3/4 .....	12	11	072658	Support Bracket .....	2
	(12) 5/16 HLN				650490	HHCS 3/8 x 1 .....	4
					(4) 3/8 HN - (4) LW		
7	072645	Right Wheel Support .....	1	12	072659	Spacer .....	2
	650491	HHCS 3/8 x 1-1/4 .....	2	13	072660	Spring Washer .....	2
	(2) 3/8 HN - (2) LW - (4) PW			14	073234	Crowder Wheel .....	2
8	072650	Left Wheel Support .....	1	15	520064	Ball Bearing .....	4
	650491	HHCS 3/8 x 1-1/4 .....	2				
	(2) 3/8 HN - (2) LW - (4) PW						

### 066779 LIGHT CROP HOLD-DOWN KIT

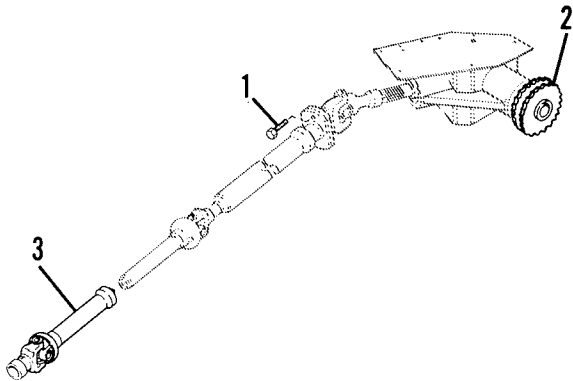


Ref. No.	Part No.	Part Name	No. Req.
	066779	Light Crop Hold-down Kit .....	1
		Consists of:	
1	043616	Spacer .....	3
2	058705	Strap .....	2
3	067157	Stop .....	2
	650426	HHCS 1/4 x 1-1/4 .....	4
	(4) 1/4 HN - (4) LW		
4	067159	Tine - Outside .....	2
	650577	HHCS 5/16 x 1-1/2 .....	2
	(2) 5/16 HLN		
5	067160	Clamp .....	2
	650545	HHCS 5/16 x 1-1/4 .....	2
	(2) 5/16 HLN		
6	067162	Spacer .....	2
7	067163	Light Crop Tine .....	3
	650568	HHCS 5/16 x 2 .....	3
	(3) 5/16 HLN		
8	067165	Clamp .....	6
	650568	HHCS 5/16 x 2 .....	6
	(6) 5/16 HLN		

IMPORTANT: Order by Part Number - DO NOT use Illustration Reference Numbers.

# RB1450 - OPTIONS & ACCESSORIES

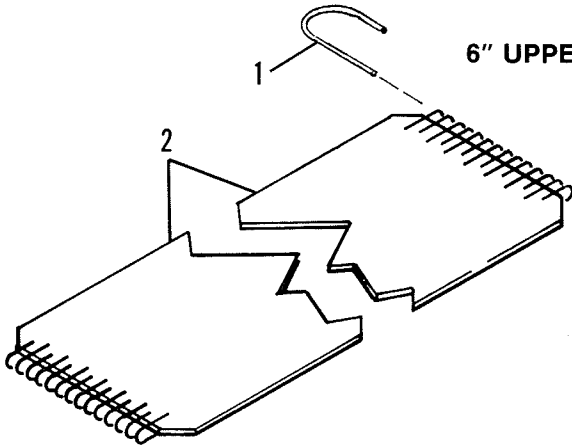
## 801552 1000 RPM CONVERSION KIT



Ref. No.	Part No.	Part Name	No. Req.
	801552	1000 RPM Conversion Kit.....	1
Consists of:			
1	066285A	Shear Bolt 5/16 x 1-1/2 ..... Grade 2 (7) 5/16 HLN	7
2	067170	Double Sprocket (14/14T).....	1
3	067173B	Universal Joint w/Spline Shaft - Assembled.....	1

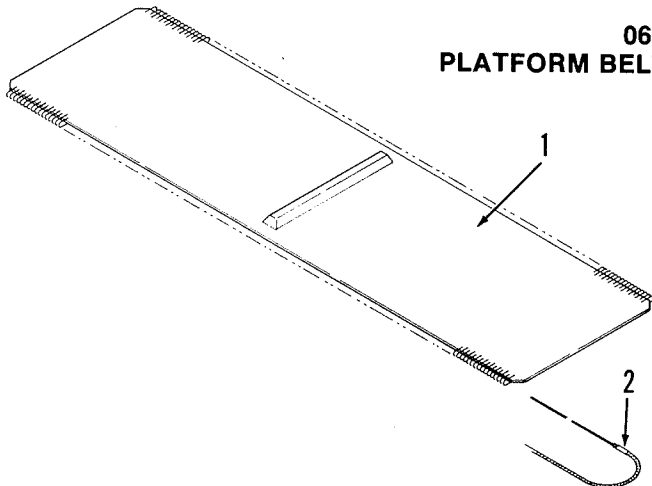
- A For Replacement Shear Bolts, order Kit #902261 (containing 8 Bolts).
- B For service, see pages titled Universal Drives.

## 072042 6" UPPER DUTCHMAN KIT



Ref. No.	Part No.	Part Name	No. Req.
	072042	6" Upper Belt Dutchman Kit.....	1
Consists of:			
1	059803	6" Belt Pin.....	1
2	072043	6" Dutchman Belt.....	1

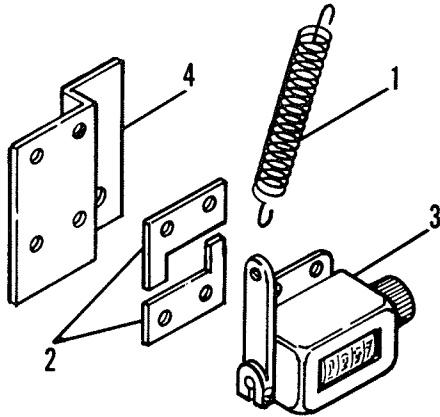
## 067152 PLATFORM BELT DUTCHMAN KIT



Ref. No.	Part No.	Part Name	No. Req.
	067152	Platform Belt Dutchman Kit.....	1
Consists of:			
1	066781	Belt Dutchman.....	1
2	066550	Pin.....	2

# RB1450 - OPTIONS & ACCESSORIES

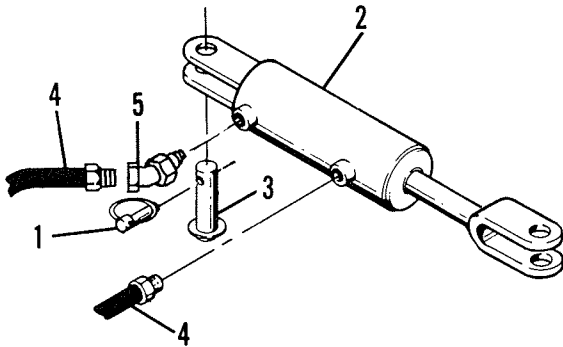
## 801782 BALE COUNTER KIT



Ref. No.	Part No.	Part Name	No. Req.
801782		Bale Counter Kit .....	1
Consists of:			
1	17H387	Spring .....	1
	650426	HHCS 1/4 x 1-1/4 .....	1
		(1) 1/4 HN	
	650618A	HWHSTS 5/16 x 5/8 .....	1
2	066764	Bracket .....	2
	650618	HWHSTS 5/16 x 5/8 .....	4
3	066765	Counter .....	1
4	068210A	Counter Base .....	1

A Not used on RB1450 Baler.

## 801611 HYDRAULIC TWINE WRAPPING KIT

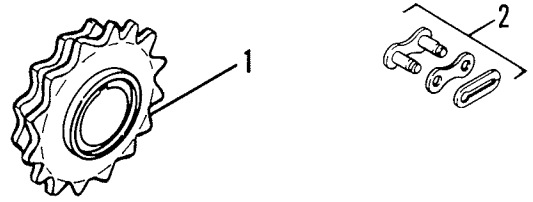


Ref. No.	Part No.	Part Name	No. Req.
1	060471	Klick Pin .....	1
2	060626A	Hydraulic Cylinder .....	1
3	060629	Pin .....	1
4	066428B	Hose .....	2
5	580055	45° Union Fitting .....	1

A To order Cylinder Seal Kit, specify Part #060627.

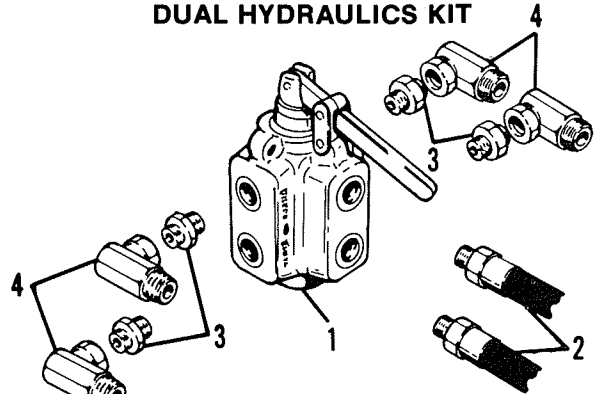
B To order Hoses (less Pin & Klick Pin without Hydraulic Cylinder) order Part #801612.

## 066780 SLOW-DOWN SPROCKET KIT



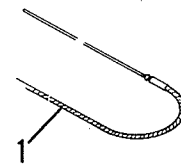
Ref. No.	Part No.	Part Name	No. Req.
066780		Slow-down Sprocket Kit .....	1
Consists of:			
1	067166	Sprocket (21T) .....	1
2	500160	Plain Coupler (#60) .....	2

## 801087 DUAL HYDRAULICS KIT



Ref. No.	Part No.	Part Name	No. Req.
801087		Dual Hydraulics Kit .....	1
Consists of:			
1	060597	Double Selector Valve .....	1
	650818	HHCS 3/8 x 3 .....	2
		(2) 3/8 HN - (3) LW	
2	060598	Hose .....	2
3	060599	Pipe Nipple - 3/4 Hex. ....	4
4	060600	Pipe Union .....	4

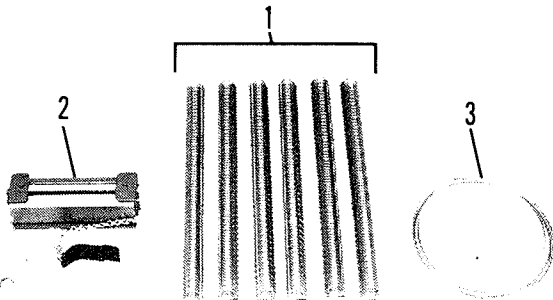
## 901751 72" PLATFORM BELT LACING PIN KIT



Ref. No.	Part No.	Part Name	No. Req.
901751		72" Platform Belt Lacing Pin Kit .	1
Consists of:			
1	058399	72" Platform Belt Lacing Pin .....	1

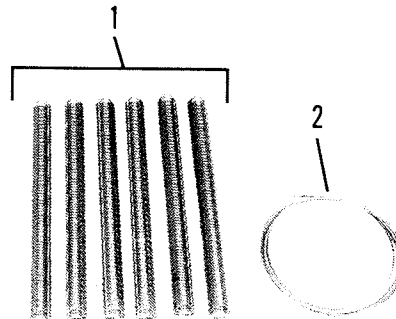
# RB1450 - OPTIONS & ACCESSORIES

## 801086 RE-LACING KIT



Ref. No.	Part No.	Part Name	No. Req.
	801086	Re-lacing Kit .....	1
		Consists of:	
1	058398	#4-1/2 Clipper Hook Card .....	6
2	059826	Vice Lacer .....	1
3	060345	Cable - 72" .....	1

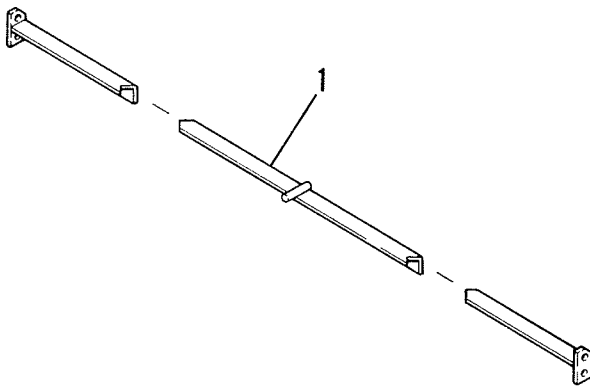
## 073390 LACING KIT



Ref. No.	Part No.	Part Name	No. Req.
	073390	Lacing Kit .....	1
		Consists of:	
1	058398	#4-1/2 Clipper Hook .....	6
2	060345	Cable - 72" .....	1

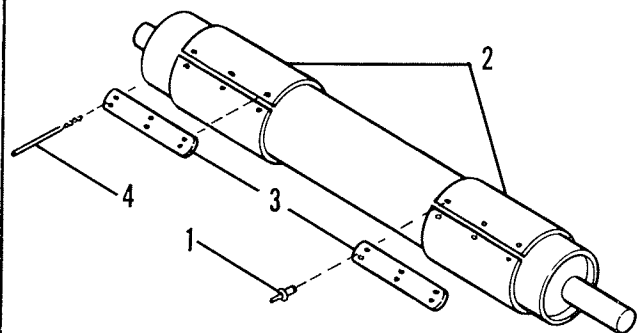
IMPORTANT: Order by Part Number - DO NOT use Illustration Reference Numbers.

## 075270 SCRAPER KIT



Ref. No.	Part No.	Part Name	No. Req.
	075270	Scraper Kit .....	1
		Consists of:	
1	075271	Scraper .....	1
	650490	CS 3/8 x 1 (N,L) .....	4

## 068633 PACKING ROLLER LAGGING KIT



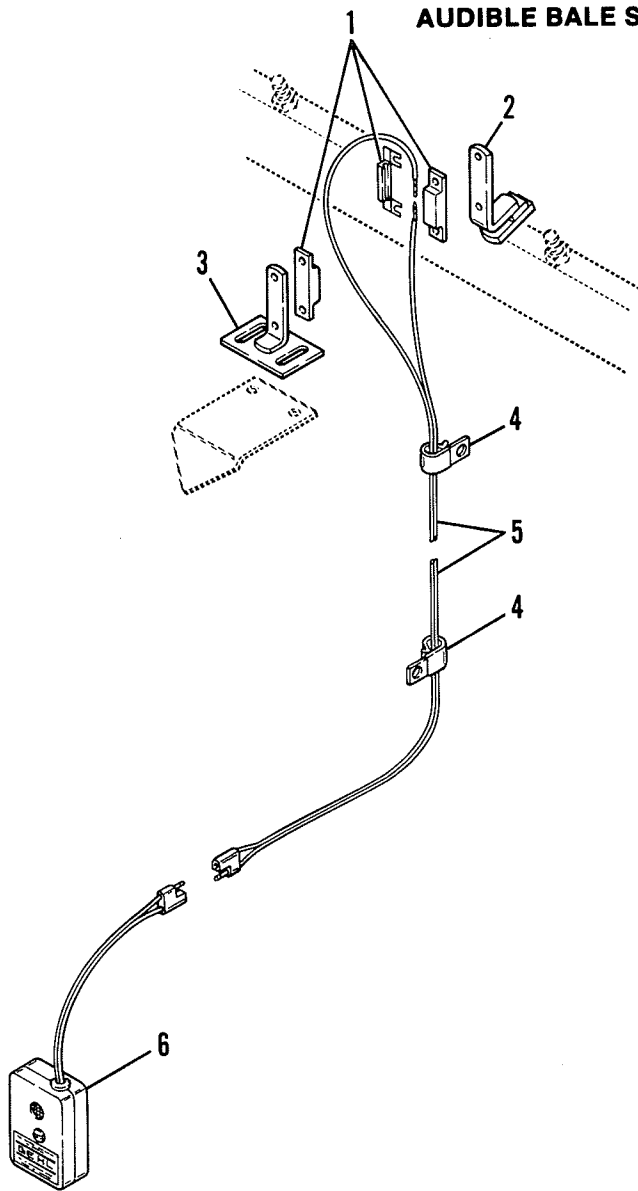
Ref. No.	Part No.	Part Name	No. Req.
	068633	Packing Roller Lagging Kit .....	1
		Consists of:	
1	068846	Rivet .....	36
2	068847	Lagging .....	2
3	068848	Strip Cover .....	4
4	068849	Drill Bit - 13/64 Dia. ....	1



# RB1450 - OPTIONS & ACCESSORIES

802423

## AUDIBLE BALE SIZE INDICATOR KIT



Ref. No.	Part No.	Part Name	No. Req.
	802423	Audible Bale Size Indicator Kit....	1
Consists of:			
1	074428	Switch & Magnet Assemblies .....	1
	650327	RHMS #6-32 x 3/4 (8N,P).....	4
2	074422	Switch Mount .....	1
	650486	CS 5/16 x 3/4 .....	1
3	074419	Magnet Base.....	1
	650491	CS 3/8 x 1-1/4 (N,L,P) .....	2
4	058615	Clamp .....	3
5	074429	2-Pole Connector w/300" of #8 AWG Wire .....	1
6	074426A	Audible Bale Size Indicator .....	1

**A** Powered by one 9-volt D.C. Alkaline Transistor Radio-type Battery (Purchased Locally).

**IMPORTANT:** Order by Part Number - DO NOT use Illustration Reference Numbers.

# RB1450 - NUMERICAL INDEX

Part No.	Page No.	Ref. No.	Part No.	Page No.	Ref. No.	Part No.	Page No.	Ref. No.	Part No.	Page No.	Ref. No.
7K73	25	1	043616	35	1	056773	13	12	059650	23	7
6H130	27	1	044116	5	4	056773	25	13	059692	5	9
C133	14	1	044116	9	6	057122	5	6	059692	9	13
9H240	19	1	044116	13	4	057179	16	9	059694	5	10
9H240	25	2	045327	30	1	057179	23	4	059708	13	29
H267A	25	3	045327	31	1	057185	15	1	059720	16	11
17H281	11	1	045582	7	2	057350	19	14	059721	13	6
9H300	7	1	045882	30	2	057351	19	15	059722	13	15
9H300	14	2	045883	30	3	057422	13	8	059754	9	14
9H300	16	1	045998	7	3	057512	11	10	059756	9	15
17H349	19	2	046000	7	4	057617	19	16	059757	9	16
17H387	37	1	046001	7	5	057778	33	1	059765	9	17
H487	27	2	046754	9	7	057779	33	2	059766	9	18
D932A	9	2	047028	14	5	057781	33	3	059794	13	1
D932A	35	1	047269	27	6	057911	7	7	059799	13	3
H6053B	5	1	047956	14	6	057919	13	16	059803	36	1
H6094	9	3	048459	19	7	057920	13	17	059826	38	2
H6094	28	1	049038	9	36	057945	5	7			
H6172	9	4				057958	21	8	<b>060000</b>		
H7125	11	2	<b>050000</b>			057958	21	8	060059	38	1
H7165	16	2	051250	25	8	057960	21	9	060295	9	19
H7812	19	3	051525	16	5	057965	23	5	060302	13	23
H8054	9	5	051525	21	6	057965	23	5	060302	13	23
H8334	11	3	051525	21	6	057967	23	6	060345	23	
H8334	11	3	051525	23	3	057980	16	10	060345	38	3
H8334	23	1	052205	19	8	058326	5	8	060375	33	3
H8334	27	3	052575	19	30	058398	38	1	060376	33	9
H8354	11	4	052588	5	5	058399	37	1	060387	5	11
D9128A	21	1	052595	16	6	058421	7	8	060471	37	1
D9130	19	4	053342	25	9	058489	19	17	060515	29	12
U10014B	11	5	053688	11	8	058493	19	18	060516	29	13
U10014B	25	4	053865	30	2	058539	14	8	060597	37	1
U10014B	27	4	053900	14	19	058613	25	14	060598	37	2
U10063	14	3	054161	29	1	058615	39	4	060599	37	3
B11069	13	7	054353	19	9	058705	35	2	060600	37	4
B11090	14	4	054959	13	2	058807	11	11	060626	37	2
B11090	21	2	055098	19	10	059052	33	1	060627	37	
B11162B	19	5	055142	16	7	059053	33	2	060629	37	3
B11162B	25	5	055354	30	3	059055	33	4	060972	33	10
B11162B	35	2	055354	31	2	059059	33	5	060979	9	20
B11343	25	6	055355	30	4	059064	33	6	061006	9	21
B11433A	16	3	055356	30	5	059113	28	2	061050	13	26
M12234	21	3	055356	31	3	059272	9	12	061052	13	30
M12361	13	9	055358	30	6	059299	33	7	061058	33	4
C14061A	15	29	055358	31	4	059321	33	8	061059	33	5
C14084	21	24	055447	19	11	059424	25	15	061060	33	6
C14121	19	6	055458	19	12	059554	29	2	061061	33	7
S16215	21	4	055690	9	8	059562	29	3	061062	33	8
S16215	23	2	055691	9	9	059563	29	4	061124	9	22
			055692	9	10	059564	29	5	061124	30	7
<b>040000</b>			055896	25	10	059565	29	6	061125	9	23
040860	5	2	056080	25	11	059566	29	7	061125	30	8
041155	16	4	056081	25	12	059567	29	8	061125	31	5
041499	21	5	056145	14	7	059569	29	9	061126	30	9
041499	27	5	056211	9	11	059572	29	10	061126	31	6
041881	11	6	056249	11	9	059574	29	11	061127	30	10
042135	11	7	056336	16	8	059579	30	4	061127	31	7
042598	25	7	056344	21	7	059580	30	5	061276	32	1
043192	5	3	056345	19	13	059581	30	6	061293	32	2

## RB1450 - NUMERICAL INDEX

Part No.	Page No.	Ref. No.	Part No.	Page No.	Ref. No.	Part No.	Page No.	Ref. No.	Part No.	Page No.	Ref. No.
061294	32	3	066222	21	25	066429	28	12	068210	37	4
061295	32	4	066226	21	26	066431	28	13	068633	38	
061509	16	12	066227	5	13	066432	28	14	068734	21	29
061509	21	10	066245	9	27	066446	28	15	068921	19	31
061509	23	8	066245	29		066452	28	16	069084	19	31
061529	14	9	066246	29	17	066456	5	15	069255	33	
061529	19	19	066252	29	18	066462	5	16	069257	33	
061529	25	16	066253	29	19	066467	5	17	069531	11	24
061700	9	24	066254	29	20	066480	11	12	069784	21	30
061700	13	5	066260	28	3	066487	11	13	069789	27	19
061700	30	7	066261	13	28	066487	15	5	069790	21	31
061708	13	27	066263	13	24	066489	11	14	069792	19	32
061809	21	11	066267	15	4	066490	11	15	069793	19	33
062102	19	20	066269	13	14	066492	11	16	069794	19	34
062871	25	17	066274	13	11	066511	11	17	069795	5	18
063586	15	2	066275	13	13	066524	21	28	069796	5	19
063592	33	9	066279	7	9	066526	11	18	069797	15	6
064389	15	3	066280	9	28	066528	11	19	069820	27	20
064415	35	3	066281	9	29	066531	11	20	069824	27	21
064669	25	18	066284	9	30	066532	11	21	069826	5	20
065663	25	19	066284	30	8	066533	11	22	069830	5	21
065674	9	25	066285	9	24	066536	14	16	069832	13	5
065679	14	10	066285	30	7	066537	14	17	069846	19	35
065680	14	11	066285	36	1	066540	14	18	069847	19	36
065703	14	12	066309	23	14	066542	14	19	069850	19	37
065708	14	13	066309	27	8	066543	14	20	069853	21	32
065715	14	14	066350	27	9	066544	14	21			
065718	14	15	066351	27	10	066545	19	30	<b>070000</b>		
065721	9	26	066352	27	11	066550	36	2	070071	13	10
065728	29	14	066363	27	12	066551	28		070072	19	38
065730	29	15	066364	27	13	066551	28		070470	27	22
065731	29	16	066365	27	14	066554	30	9	070599	21	33
066155	16	13	066365	27	14	066555	30	10	070609	25	21
066160	16	14	066369	27	15	066764	37	2	070610	25	22
066170	23	9	066375	5	14	066765	37	3	070612	25	23
066172	16	15	066376	27	16	066779	35		070613	13	19
066173	16	16	066377	27	17	066780	37		070619	25	24
066174	16	17	066378	28	4	066781	36	1	070620	25	25
066178	23	10	066380	27	18	067152	21		070625	25	26
066181	23	11	066383	28	5	067152	36		070626	25	27
066181	27	7	066385	28	6	067157	35	3	070627	25	28
066182	23	12	066386	19	21	067159	35	4	070630	25	29
06683	23	13	066392	19	22	067160	35	5	070631	25	30
066184	21	12	066393	19	23	067162	35	6	070633	25	31
066186	21	13	066396	9	31	067163	35	7	070637	15	7
066193	21	14	066398	19	24	067165	35	8	070638	25	32
066194	21	15	066402	19	25	067166	29	17	070639	19	39
066195	21	16	066409	19	26	067166	37	1	070643	16	18
066197	21	17	066412	21	27	067170	29	21	070644	25	33
066203	5	12	066413	19	27	067170	36	2	070691	15	8
066204	21	18	066417	19	28	067173	9	22	070701	16	19
066205	21	19	066419	19	29	067173	31	8	070702	23	15
066208	21	20	066424	28	7	067173	36	3	070703	23	16
066210	21	21	066425	28	8	067458	25	20	070717	15	9
066218	21	22	066426	28	9	067491	28	17	070730	16	20
066219	21	23	066427	28	10	067516	11	23	070736	19	40
066221	21	24	066428	28	11	067879	14	22	070738	21	34
			066428	37	4	067880	28	18	070740	21	35

# RB1450 - NUMERICAL INDEX




Part No.	Page No.	Ref. No.	Part No.	Page No.	Ref. No.	Part No.	Page No.	Ref. No.	Part No.	Page No.	Ref. No.
070742	21	36	071520	9	1	071983	15	23	073390	38	
070747	19	41	071520	13	25	071984	15	24	073846	21	45
070748	19	42	071520	27	24	071986	16	24	073847	5	18
070749	19	43	071601	11	26	071987	5	30	074027	19	20
070750	27	23	071605	11	27	071989	5	31	074028	19	28
070752	25	34	071606	11	28	071991	11	44	074029	19	42
070754	5	22	071607	11	29	071993	5	32	074140	21	44
070757	25	35	071609	11	30	071999	19	48	074239	21	15
070758	25	36	071620	11	31	072001	5	33	074408	16	4
070765	25	37	071626	11	32	072007	5	34	074409	13	24
070767	25	38	071627	11	33	072008	5	35	074419	39	3
070768	25	39	071631	11	34	072009	28	19	074422	39	2
070775	25	40	071635	11	35	072011	15	25	074426	39	6
070777	25	41	071637	11	36	072014	11	45	074428	39	1
070778	25	42	071643	11	37	072017	27	26	074429	39	5
070779	25	43	071645	11	38	072020	27	27	074667	21	17
070787	25	44	071646	11	39	072022	21	39	074669	21	34
070788	25	45	071647	11	40	072023	7	18	074671	9	27
070789	25	46	071648	21	37	072026	7	19	074671	29	
070791	15	10	071650	21	38	072027	7	20	074725	21	30
070792	15	11	071660	16	21	072032	7	21	074890	19	
070795	15	12	071723	25		072042	36		075270	38	
070796	15	13	071731	5	27	072043	36	2	075271	21	41
070797	15	14	071739	25	49	072069	19	49	075650	11	
070798	15	15	071741	25	50	072168	25	56	075651		11
070804	15	16	071747	25	51	072171	25	57	075689	19	29
070810	15	17	071759	7	16	072172	25	58		<b>500000</b>	
070840	13	22	071763	23	17	072176	21	40	500057	19	47
070848	5	23	071764	23	18	072271	38	1	500058	19	47
070850	5	24	071765	23	19	072478	7	22	500160	19	12
070853	5	25	071766	23	20	072554	11	46	500160	19	30
070854	5	26	071767	23	21	072557	11	47	500160	37	2
070870	19	44	071768	23	22	072624	7	23	510023	30	11
070877	7	10	071770	15	20	072627	35	5	510023	31	9
070878	7	11	071858	35	4	072641	35	6	510100	30	12
070879	7	12	071883	15	21	072645	35	7	510100	31	10
070880	7	13	071884	14	23	072650	35	8	510215	30	13
071048	11	25	071886	14	24	072651	35	9	510215	31	11
071099	33	10	071937	7	17	072655	35	10	510226	31	12
071100	33	11	071938	25	52	072658	35	11	510227	31	13
071101	33	12	071939	11	41	072659	35	12	510228	31	14
071102	33	13	071940	25	53	072660	35	13	510229	31	15
071102	33	15	071941	19	47	072855	25		510233	31	16
071103	33	14	071942	16	22	072938	23	27	520000	29	22
071104	33	15	071943	25	54	072939	23	28	520054	7	24
071117	7	14	071945	25	55	072940	23	29	520062	15	27
071117	32		071965	5	28	072943	23	30	520064	35	15
071156	25	47	071967	5	29	073171	13	21	520065	11	48
071271	32	5	071968	23	23	073172	5	36	520065	23	31
071290	19	45	071969	11	42	073218	5	20	520065	27	28
071396	19	46	071970	11	43	073221	5	10	520066	9	32
071415	25	48	071972	23	24	073222	5	21	520084	15	28
071417	25	60	071974	23	25	073224	13	5	520085	11	49
071509	15	18	071976	23	26	073229	13	1	520085	23	32
071512	15	19	071978	27	25	073234	35	14	520085	27	29
071518	13	18	071980	15	22	073387	21	18	520090	23	33
071520	7	15	071981	16	23	073389	21	19	520093	21	42

RB1450 - NUMERICAL INDEX

Part No.	Page No.	Ref. No.			
520093	23	34			
520093	27	30			
520135	9	33			
520136	9	34			
520139	5	37			
520158	21	43			
520158	23	35			
520175	11	50			
520199	7	25			
520200	7	26			
520201	7	6			
520210	13	20			
540020	25	59			
570002	14	10			
570002	21	19			
570003	21	11			
570003	21	18			
570005	5	22			
570009	11	22			
570009	27	27			
570014	30	1			
570014	31	1			
570014	35	10			
570016	9	27			
570016	29	20			
570019	15	23			
570019	19	1			
570019	21	34			
570019	25	2			
570019	25	36			
570019	27	22			
580055	37	5			
<b>600000</b>					
666002	9	35			
660004	29	2			
650702	33				
650978	15	26			
<b>800000</b>					
801087	37				
801552	36				
801612	37				
801782	37				
802232	35				
802423	39				
<b>900000</b>					
900015	9				
900015	30				
900091	13				
900415	21				
901716	38				
901733	23				
901751	37				
902261	9				
902261	30				
902261	36				

**NOTES**

## TORQUE SPECIFICATIONS FOR STANDARD MACHINE HARDWARE

SIZE	SAE GRADE #2 		SAE GRADE #5 		SAE GRADE #8 	
	DRY	LUB.	DRY	LUB.	DRY	LUB.
8 - 32	19 In. Lbs.	14 In. Lbs.	30 In. Lbs.	22 In. Lbs.	41 In. Lbs.	31 In. Lbs.
8 - 36	20 "	15 "	31 "	23 "	43 "	32 "
10 - 24	27 "	21 "	43 "	32 "	60 "	45 "
10 - 32	31 "	23 "	49 "	36 "	68 "	51 "
1/4 - 20	66 "	50 "	9 Ft. Lbs.	75 "	12 Ft. Lbs.	9 Ft. Lbs.
1/4 - 28	76 "	56 "	10 "	86 "	14 "	10 "
5/16 - 18	11 Ft. Lbs.	9 Ft. Lbs.	17 "	13 Ft. Lbs.	25 "	18 "
5/16 - 24	12 "	9 "	19 "	14 "	25 "	20 "
3/8 - 16	20 "	15 "	30 "	23 "	45 "	35 "
3/8 - 24	23 "	17 "	35 "	25 "	50 "	35 "
7/16 - 14	32 "	24 "	50 "	35 "	70 "	55 "
7/16 - 20	36 "	27 "	55 "	40 "	80 "	60 "
1/2 - 13	50 "	35 "	75 "	55 "	110 "	80 "
1/2 - 20	55 "	40 "	90 "	65 "	120 "	90 "
9/16 - 12	70 "	55 "	110 "	80 "	150 "	110 "
9/16 - 18	80 "	60 "	120 "	90 "	170 "	130 "
5/8 - 11	100 "	75 "	150 "	110 "	220 "	170 "
5/8 - 18	110 "	85 "	180 "	130 "	240 "	180 "
3/4 - 10	175 "	130 "	260 "	200 "	380 "	280 "
3/4 - 16	200 "	150 "	300 "	220 "	420 "	320 "
7/8 - 9	170 "	125 "	430 "	320 "	600 "	460 "
7/8 - 14	180 "	140 "	470 "	360 "	660 "	500 "
1 - 8	250 "	190 "	640 "	480 "	900 "	680 "
1 - 12	270 "	210 "	710 "	530 "	1000 "	740 "

Multiply In. Lbs. by (0.113) or Ft. Lbs. by (1.355) for metric Nm

**NOTE:** These torque values are to be used for all GEHL hardware excluding: locknuts, self-tapping screws, thread forming screws, and sheet metal screws. Unless otherwise noted, all torque values must meet this specification.

**Attaching Hardware Table**

Size & Description	Part Number	Size & Description	Part Number	Size & Description	Part Number	Size & Description	Part Number
#10-24N	650550	5/16LN	071701	1/2N	653018	5/8P	654012
#10L	650549	5/16NILN	064260	1/2JN	653044	3/4N	653026
#12-24N	650627	5/16L	654024	1/2LN	071706	3/4SN	650817
#12L	650813	5/16P	654004	1/2NILN	068034	3/4L	654034
1/4N	653005	3/8N	653010	1/2L	654030	3/4P	654014
1/4LN	071700	3/8LN	071703	1/2P	654009	1"JN	650820
1/4L	654022	3/8NILN	067847	5/8N	653021	1"NF-NILN	066777
1/4P	654002	3/8L	654026	5/8LN	071709	1"P	654016
5/16N	653007	3/8P	654006	5/8L	654032		



**GEHL®**



**FARM EQUIPMENT**

GEHL COMPANY WEST BEND, WISCONSIN 53095 U.S.A.