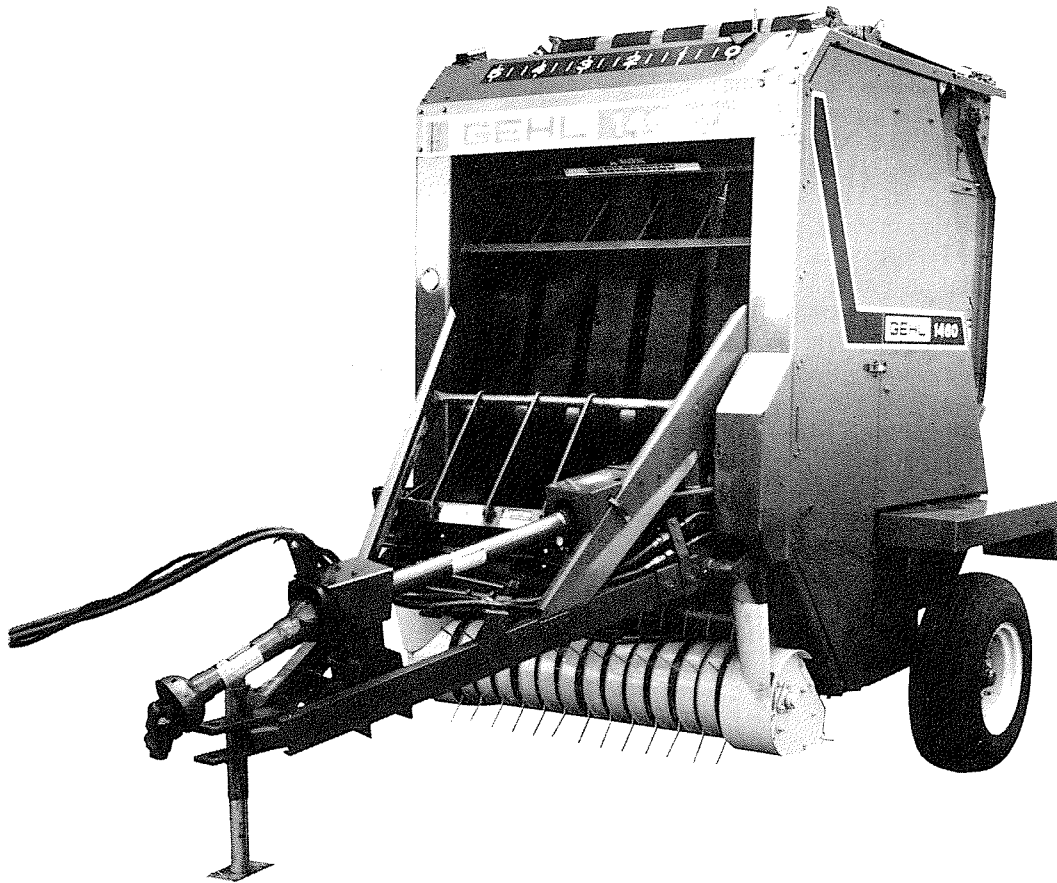


RB 1460

Round Baler

Form No.
903410



SERVICE PARTS MANUAL

GEHL[®] COMPANY

Mr. Dealer:

When ordering service parts, specify the correct part number, full description, quantity required, the unit model number and serial number.

Numbers for this unit are on a decal located under the Top Channel, near the Center Column of the Left Frame Assembly.

“Right” and “Left” are determined from a position standing at rear of the unit facing the direction of travel. From this position, the Universal Drive and Transmission are on the left side.

GEHL Company reserves the right to make changes or improvements in the design or construction of any part of the unit without incurring the obligation to install such changes on any unit previously delivered.

NOTE: On original Tire replacement, Company policy prohibits the sale of replacement tires for all original GEHL machinery. Replacement Wheel Sets are available and tire size information is called-out with the Wheel Sets to facilitate replacement tire selection. **ALL REPLACEMENT TIRES MUST BE PURCHASED LOCALLY.**

Common attaching hardware, such as nuts, cap screws, etc. is listed in the parts list but **NOT** illustrated, except where a particular routing or special fastening arrangement **MUST** be maintained. The hardware listed is for mounting purposes and is **NOT** included when the part is ordered for replacement. Refer to the abbreviations table for the various fastener descriptions. For the part number of common hardware, refer to the Attaching Hardware Table located on the Inside Back Cover. Standard hardware torque values are also provided on the same page.

Unless otherwise specified, all Cap Screws or Bolts are Grade 5, cadmium or zinc plated; Hexagon Nuts for Grade 5 Cap Screws or Bolts are Grade B; Hexagon Nuts for other Cap Screws or Bolts are Grade A.

The following abbreviations are used in this manual:

CB	- Carriage Bolt
HTB	- Hexagon Tap Bolt
CS	- Cap Screw (Hexagon Head)
FHMS	- Flat Head Machine Screw
RHMS	- Round Head Machine Screw
RHSMS	- Round Head Sheet Metal Screw
SHSS	- Socket Head Set Screw
STS	- Self-threading Screw (Hexagon Washer Head)
THMS	- Truss Head Machine Screw (Slotted)
CN	- Castellated Nut
JN	- Jam Nut (Hexagon)
LN	- Lock Nut (Hexagon)
N	- Nut (Hexagon)
NILN	- Nylon-insert Lock Nut
SN	- Slotted Nut
L	- Lock (Washer)
P	- Plain (Washer)
AWG	- American Wire Gage
Dia.	- Diameter
mm	- millimeter
NF	- National Fine (Thread)
NPTF	- National Pipe Threaded Fitting
PSI	- Pounds per Square Inch
PTO	- Power Take Off
RPM	- Revolutions Per Minute
SL	- Self-locking (Thread)
SMV	- Slow-moving Vehicle
SQ	- Square
T	- Tooth
VAC	- Vacuum
w/	- with

TABLE OF CONTENTS

	Page
Introduction	Inside Front Cover
Table of Contents	1
Decal Locations	2-3
Frame, Fenders & Twinebox	4-5
Drawbar, Axles & Ramps	6-7
Implement Drive Line Shields & Covers	8
Pickup Lift & Overfill Clutch	9
Pickup	10-11
Bale Starter & Scraper	12
Crossframe, Twine Tubes & Cutoff	13
Sprocket & Roller Part Number Guide	14
Shuttle & Bale Size Indicator	15
Roller Drives	16-17
Upper Belts, Rollers & Related Components	18-19
Lower Rollers	20
Gate Hydraulics	21
Rear Gate	22-23
Total Density Control	24-25
Universal Drives	26-27
Transmission	28
Hitchjacks	29
Options & Accessories	30-39
Electric Twine Wrapping Kit	30-31
Control Box & Wiring Diagram	30
Electric Actuators	31
Auto-Electric Twine Wrapping System	32-34
Wiring Diagram	33
Auto-Electric Actuator	33
Horn & Indicator Control Box	34
Flow Control Valve	34
Audible Bale Size Indicator Kit	35
Center Drive Roller Scraper Kit	35
Crowder Wheel Kit	36-37
1000 RPM Conversion Kit	37
6" Upper Belt Dutchman	37
Re-lacing Kit	38
Packing Roller Scraper Kit	38
Lacing Kit	38
Packing Roller Lagging Kit	38
Bale Counter Kit	39
Dual Hydraulics Kit	39
Hydraulic Twine Wrapping Kit	39
Numerical Index	40-43
Standard Hardware Torque Specifications	Inside Back Cover
Attaching Hardware Table	Inside Back Cover

DECAL LOCATIONS

GENERAL INFORMATION

Decal Locations information is provided to assist in the proper selection and application of new decals, in the event the original decal(s) become damaged or the machine is repainted. Refer to the listing for the illustration reference number, part number, description and quantity of each decal provided in the Kit. Refer to the appropriate illustration(s) for replacement location(s).

To insure proper selection of the correct replacement decals, compare all of the various closeup location photographs to your machine, before starting to refinish the unit. Then, circle each pictured decal (on or otherwise applicable to your machine) while checking-off its part number in the listing. After you have verified all the decals needed for replacement, place the extra unnecessary decals aside for disposal.

NEW DECAL APPLICATION

Surfaces **MUST** be free from dirt, dust, grease and other foreign material before applying the new Decal. To apply, remove the smaller portion of the decal backing paper and apply this part of the exposed adhesive backing to the clean surface while maintaining proper position and alignment. Peel the other portion of the backing paper off slowly while applying hand pressure to smooth out Decal surface.



CAUTION: Always Observe Safety Rules Shown on Decals. If Decals become damaged, or if unit is repainted, replace Decals.

If repainting, BE SURE that all Decals from the Kit(s) which apply to your machine, are affixed to your unit.

The Decal Set Number for the RB1460 is 076619. The Set includes the following:

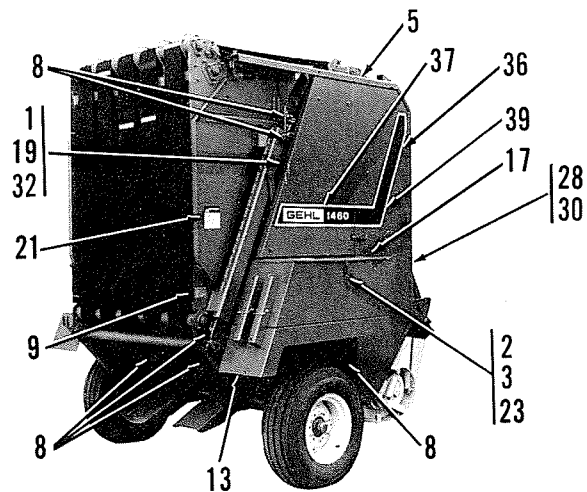
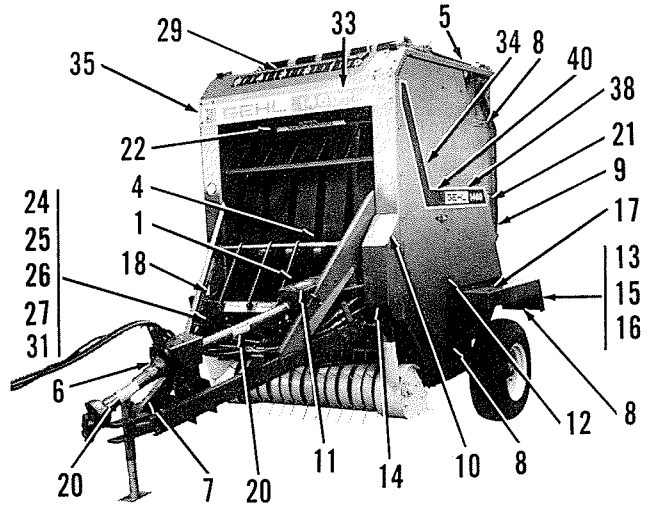
Ref. No.	Part Number	Description & Quantity
1	060138	Decal - Oil Level Mark (3 Places)
2	060147	Decal - Operating Instructions
3	060148	Decal - General Operating Instructions
4	060150	Decal - NO Step
5	060151	Decal - Belt Tension (2 Places)
6	060510	Decal - Jack Storage Position
7	060511	Decal - Jack Lifting Position
8	061187	Decal - Grease Fitting Symbol (13 Places)
9	061832	Decal - Belt Tracking (2 Places)
10	065982	Decal - Check Roller Chain Idlers
11	067132	Decal - Shear Bolts
12	067135	Decal - Chain Idler Adjustment
13	067493	Red Reflector Strip (2 Places)
14	071711	CAUTION - Transmission 540 or 1000 RPM Operation
15	071712	CAUTION - General Safety
16	071713	CAUTION - Read Operator's Manual
17	071714	CAUTION - Keep Door Closed & NEVER Ride Machine (2 Places)
18	071715	WARNING - Disconnect PTO
19	071716	WARNING - Reservoir Contamination
20	071718	WARNING - Rotating Guard (2 Places)
21	071719	WARNING - Stay Clear of Gate (2 Places)
22	071935	WARNING - Moving Belts
23	073845	Decal - Spare Twine

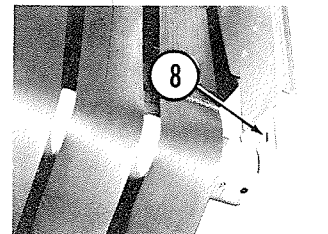
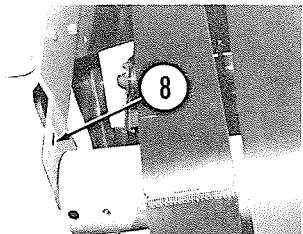
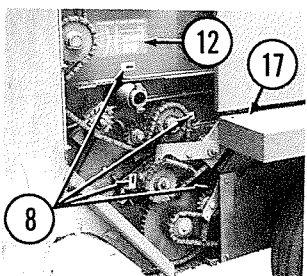
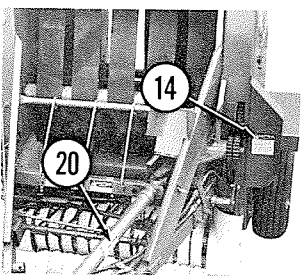
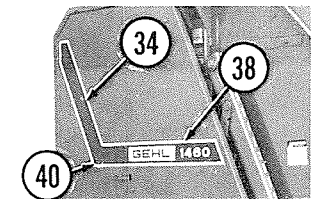
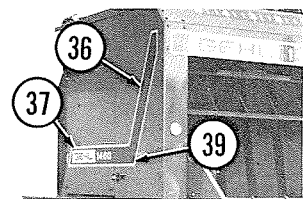
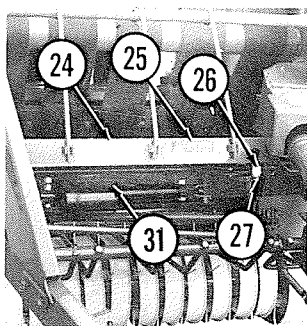
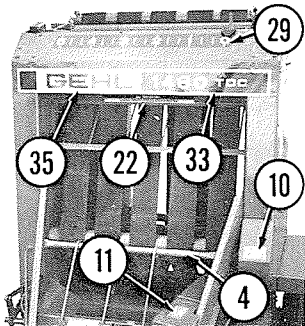
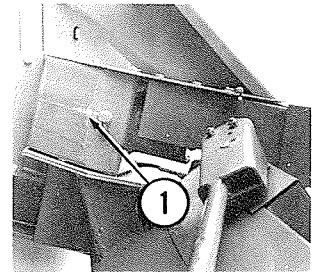
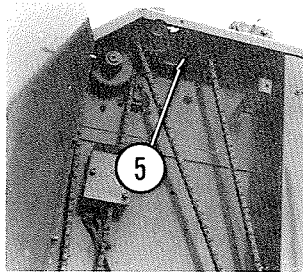
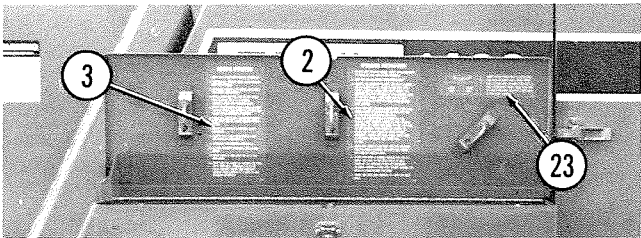
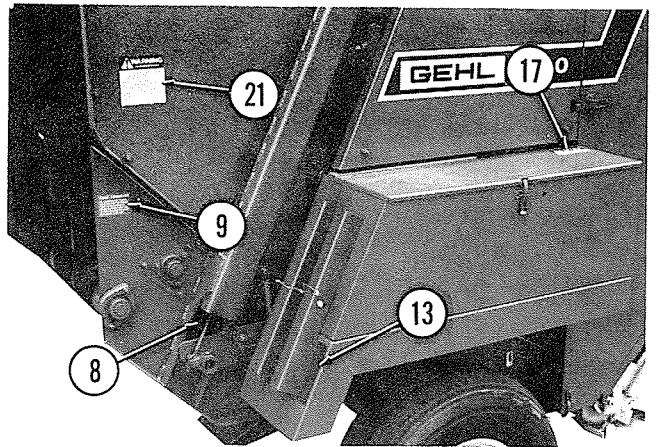
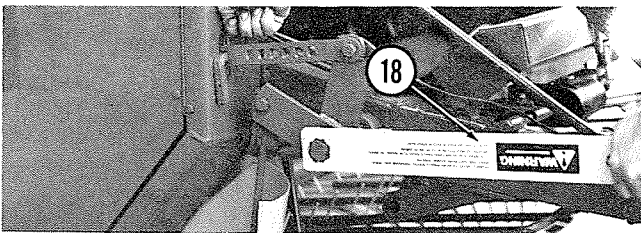
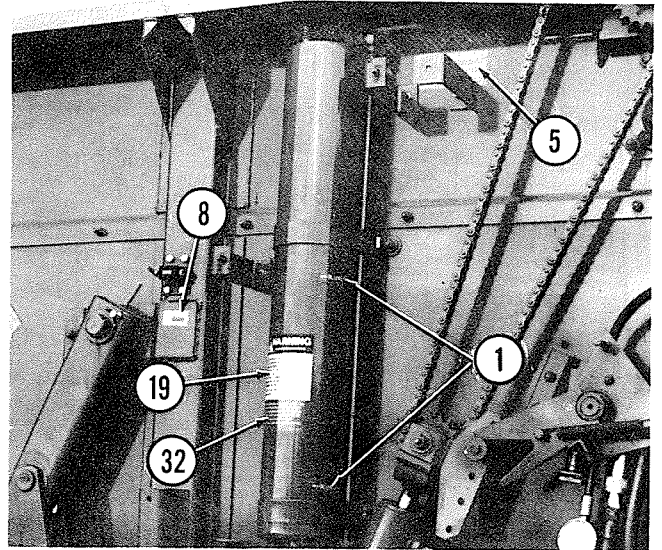
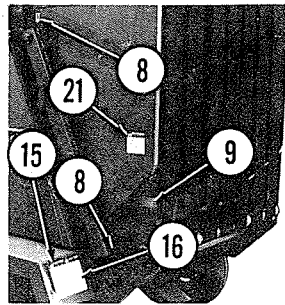
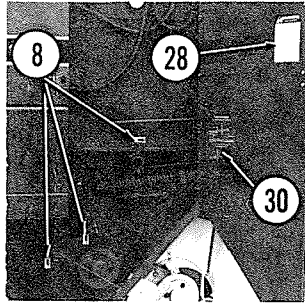
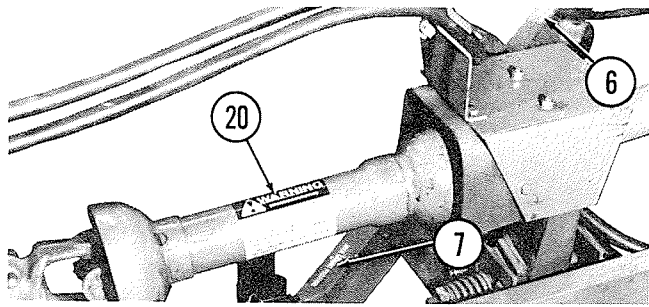
- 24 075423 DANGER - NEVER Attempt to Hand-feed Material
- 25 075424 CAUTION - Restraint Bars
- 26 075470 Decal - Twine Tube Position Pointer
- 27 075472 Decal - Twine Tube Position Indicator
- 28 075496 WARNING - Belt Replacement
- 29 075526 Decal - Bale Size Indicator
- 30 075527 Decal - Pickup Adjustment
- 31 075652 Decal - Twine Replacement
- 32 075653 Decal - Reservoir Oil
- 33 076170 Decal - 1460 TDC
- 34 076171 Decal - Left Long Stripe
- 35 076172 Decal - Decorative GEHL
- 36 076173 Decal - Right Long Stripe
- 37 076174 Decal - 1460 for Right
- 38 076175 Decal - 1460 for Left
- 39 076176 Decal - Right Short Stripe
- 40 076177 Decal - Left Short Stripe

NOTICE

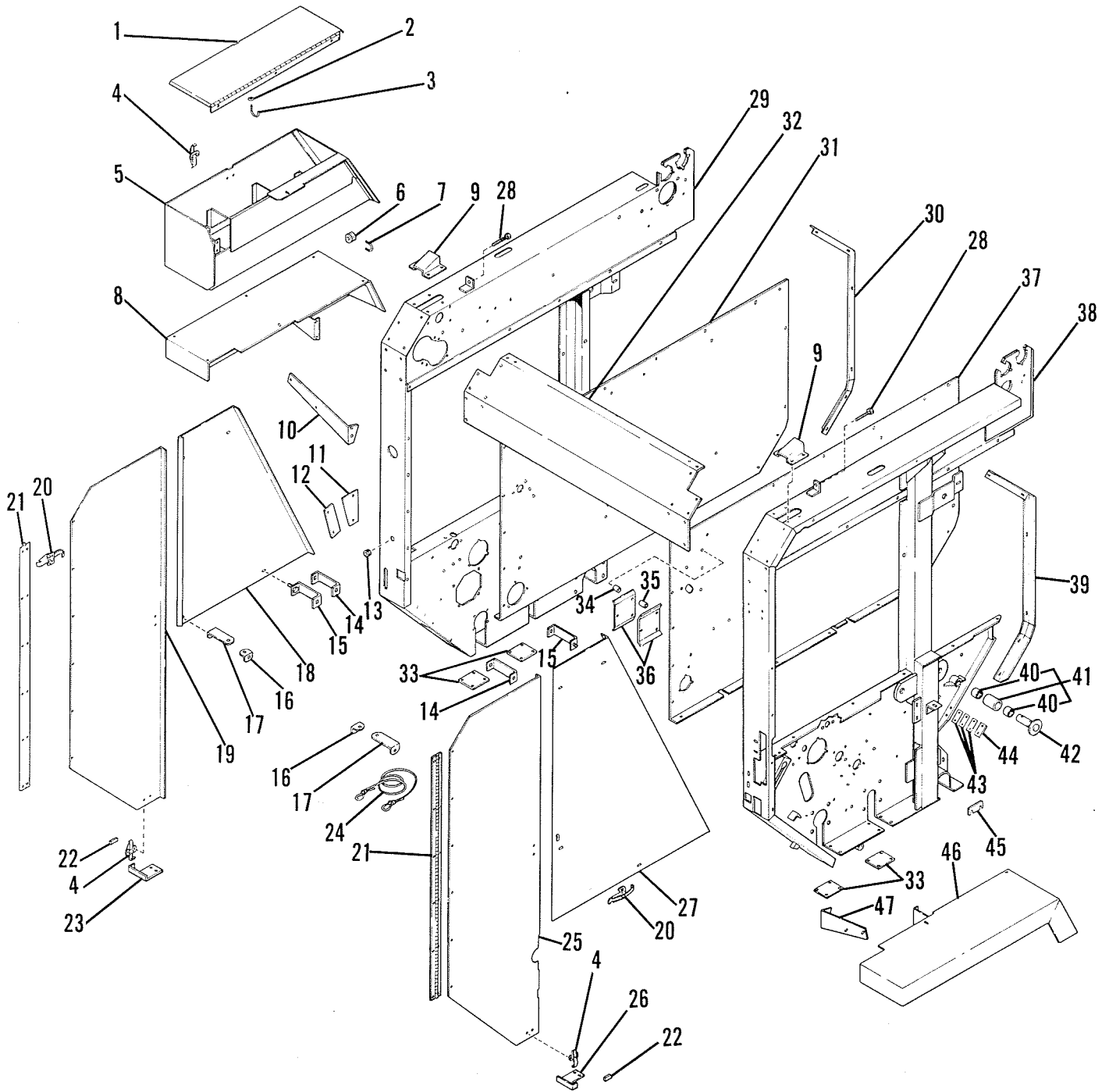
Order paint for refinishing machines from this list:

- 901225 One Gallon Blaze Paint
- 901226 One Gallon Maize Paint
- 610239 6 (12 oz.) Cans Blaze Spray Paint
- 610240 6 (12 oz.) Cans Maize Spray Paint





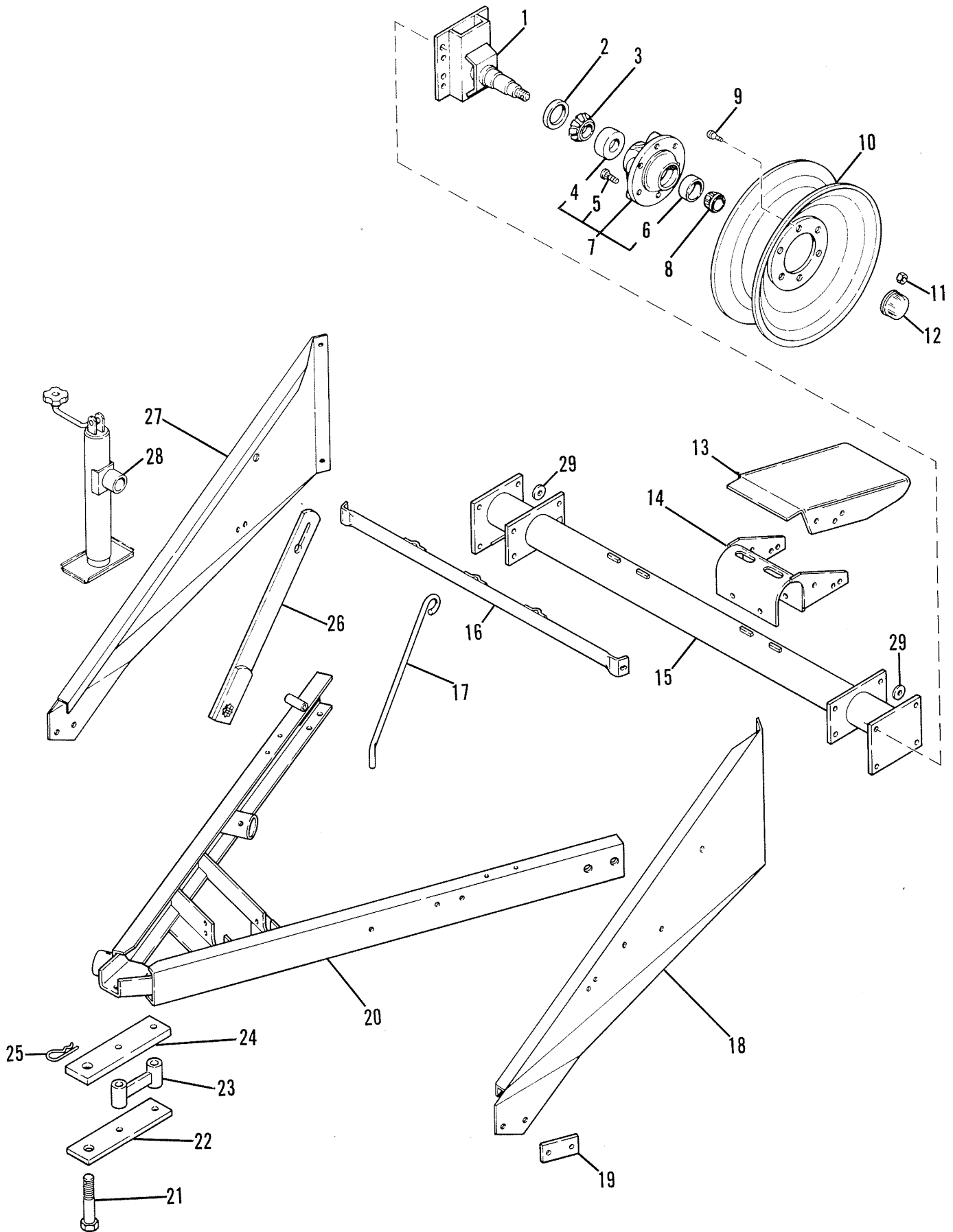
RB1460 - FRAME, FENDERS & TWINEBOX



RB1460 - FRAME, FENDERS & TWINEBOX

Ref. No.	Part No.	Part Name	No. Req.	Ref. No.	Part No.	Part Name	No. Req.
1	076538	Twinebox Cover	1	23	076546	Latch Hook Right Bracket	1
	650486	CS 5/16 x 3/4 (N,L)	3		650487	CS 5/16 x 1 (N,L)	2
2	054959	Spring Washer	3	24	060387	Door Holding Cord	2
3	059799	Twine Bolt	3	25	076545	Left Guard	1
	(6) 1/4 LN				650486	CS 5/16 x 3/4 (N,L)	6
4	044116	Latch	3	26	076547	Latch Hook Left Bracket	1
	650812	RHMS #12-24 x 1/2 (N,L)	6		650487	CS 5/16 x 1 (N,L)	2
5	076531	Twinebox	1	27	076542	Stationary Left Guard	1
	650486	CS 5/16 x 3/4 (N,L)	5		650486	CS 5/16 x 3/4 (N,L,P)	2
	650490	CS 3/8 x 1 (N,L,2P)	1	28	062342	HTB 1/2 x 3-1/2	2
6	059721	Rope Guide	1		(4) 1/2 N		
7	B11069	U-Bolt	1	29	075473	Right Frame	1
	(2) 5/16 LN			30	075497	Guide Right Gate Angle	1
8	076528	Right Fender	1	31	071965	Center Right Sheet	1
	650790	CB 3/8 x 3/4 (N,L)	2		650490	CS 3/8 x 1 (N,L)	8
	650491	CS 3/8 x 1-1/4 (N,L,6P)	3		650704	CB 3/8 x 1 (N,L,8P)	12
9	058326	Chain Guard	2	32	066227	Panel	1
	650490	CS 3/8 x 1 (N,L,2P)	7		650490	CS 3/8 x 1 (N,L)	14
	650491	CS 3/8 x 1-1/4 (N,L,P)	1	33	075733	Frame Tie	4
10	066462	Fender Front Right Brace	1		650490	CS 3/8 x 1 (N,L)	16
	650704	CB 3/8 x 1 (N,L)	2	34	H6053B	Spacer	3
11	075642	Rear Cover	1	35	056378	Spacer	3
	650754	CB 5/16 x 1/2 (LN)	2	36	057122	Chain Guide	2
12	075641	Front Cover	1		650731	CS 3/8 x 3-1/2 (N,L)	3
	650754	CB 5/16 x 1/2 (LN)	2	37	071967	Center Left Sheet	1
13	070636	Grommet	1		650490	CS 3/8 x 1 (N,L)	8
14	076541	Standoff (Hinged Door)	5		650704	CB 3/8 x 1 (N,L,8P)	12
	650687	CB 5/16 x 3/4 (N,L)	3	38	075479	Left Frame	1
	650573	CB 5/16 x 1 (N,L)	2	39	075498	Guide Left Gate Angle	1
15	076540	Standoff (Stationary Guard)	3	40	520139	Needle Bearing	4
	650687	CB 5/16 x 3/4 (N,L)	3	41	073172	Gate Latch Sleeve	2
	(3) 5/16 N,L,P			42	070754	Pin	2
16	076683	Hinge Angle	4		570005	Grease Fitting	2
	650487	CS 5/16 x 1 (NILN)	4		650535	CS 3/8 x 2-1/4 (LN)	2
17	076684	Hinge Angle Base	4	43	052588	Shim	6
	650687	CB 5/16 x 3/4 (N,L)	4	44	066375	Gate Stop	2
18	076543	Stationary Right Guard	1		650362	FHMS 5/16 x 1-1/2 (N,L)	4
	650486	CS 5/16 x 3/4 (N,L,P)	3	45	059692	Shim	2
19	076544	Right Guard	1		650573	CB 5/16 x 1 (N,L,P)	2
	650486	CS 5/16 x 3/4 (N,L)	6	46	076524	Left Fender	1
20	054586	Latch	2		650790	CB 3/8 x 3/4 (N,L)	2
	650943	THMS 1/4 x 1/2 (N,L,P)	4		650491	CS 3/8 x 1-1/4 (N,L,6P)	3
21	066467	Hinge	2	47	075703	Fender Front Left Brace	1
	650486	CS 5/16 x 3/4 (N,L,P)	12		650490	CS 3/8 x 1 (N,L)	2
22	076691	Rubber Strip	2				

RB1460 - DRAWBAR, AXLE & RAMPS

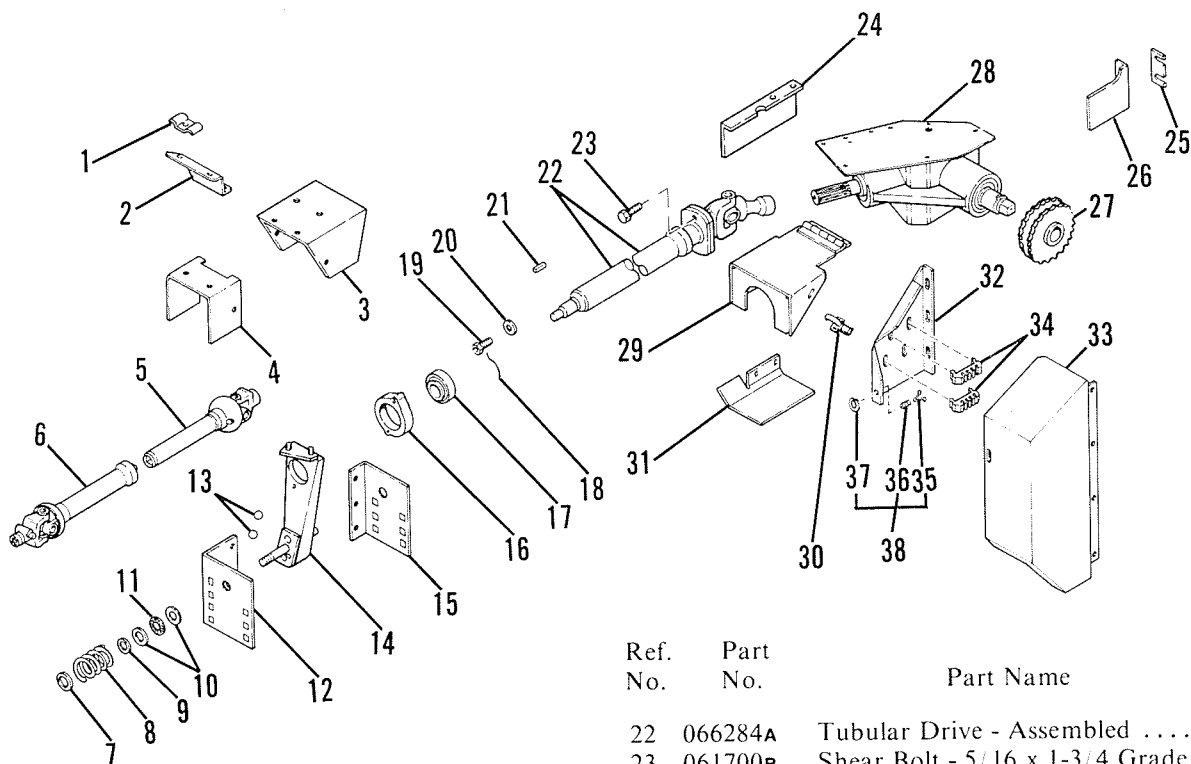


RB1460 - DRAWBAR, AXLE & RAMPS

Ref. No.	Part No.	Part Name	No. Req.	Ref. No.	Part No.	Part Name	No. Req.
1	066651	Adjustable Axle	2	17	075557	Safety Tine	3
	650569	CS 1/2 x 1-3/4 (N,L)	8	18	072026	Left Brace	1
	655020	Cotter Pin 3/16 x 1-1/2	2		650490	CS 3/8 x 1 (NILN)	2
	(2) 3/4	NF-CN,P		19	072032	Brace Reinforcement Pad.....	2
2	045998	Grease Seal	2		650453	CS 1/2 x 1-1/2 (NILN).....	4
3	520200	Inside Bearing Cone	2	20	075341	Drawbar	1
4	520199	Inside Bearing Cup	2		650649	CS 3/4 x 2 (N,L)	3
5	046000	Wheel Bolt	12	21	070880	Hitch Pin	1
6	520054	Outside Bearing Cup	2		(1) 1"	N,P	
7	057911	Wheel Hub - Assembled	2	22	070877	Lower Drawbar Clip	1
8	520201	Outside Bearing Cone	2	23	076821	Spacer Clip	1
9	045582	Tire Valve	2	24	076595	Upper Drawbar Clip	1
10	072624	Wheel 14 x 18 KB (for 9.5L x 14 6-ply Tire).....	2		650499	CS 5/8 x 5-1/2 (LN).....	4
11	046001	Wheel Nut	12	25	9H300	Hairpin Cotter Pin	1
12	058421	Grease Cap	2	26	072478	Reversing Handle	1
13	076568	Ramp	2	27	072027	Right Brace	1
	650495	CS 1/2 x 1-1/4 (N,L)	8		650490	CS 3/8 x 1 (NILN)	2
14	076678	Ramp Anchor	2	28	071117A	Hitch Jack	1
	650653	CS 1/2 x 4-1/2 (NILN).....	4	29	071520	Washer	8
15	076566	Axle	1				
	650569	CS 1/2 x 1-3/4 (NILN,L).....	8				
16	075550	Crossbar	1				
	650491	CS 3/8 x 1-1/4 (N,L,P)	2				

A For repair, see page titled Hitch Jack.

RB1460 - IMPLEMENT DRIVE LINE, SHIELDS & COVERS

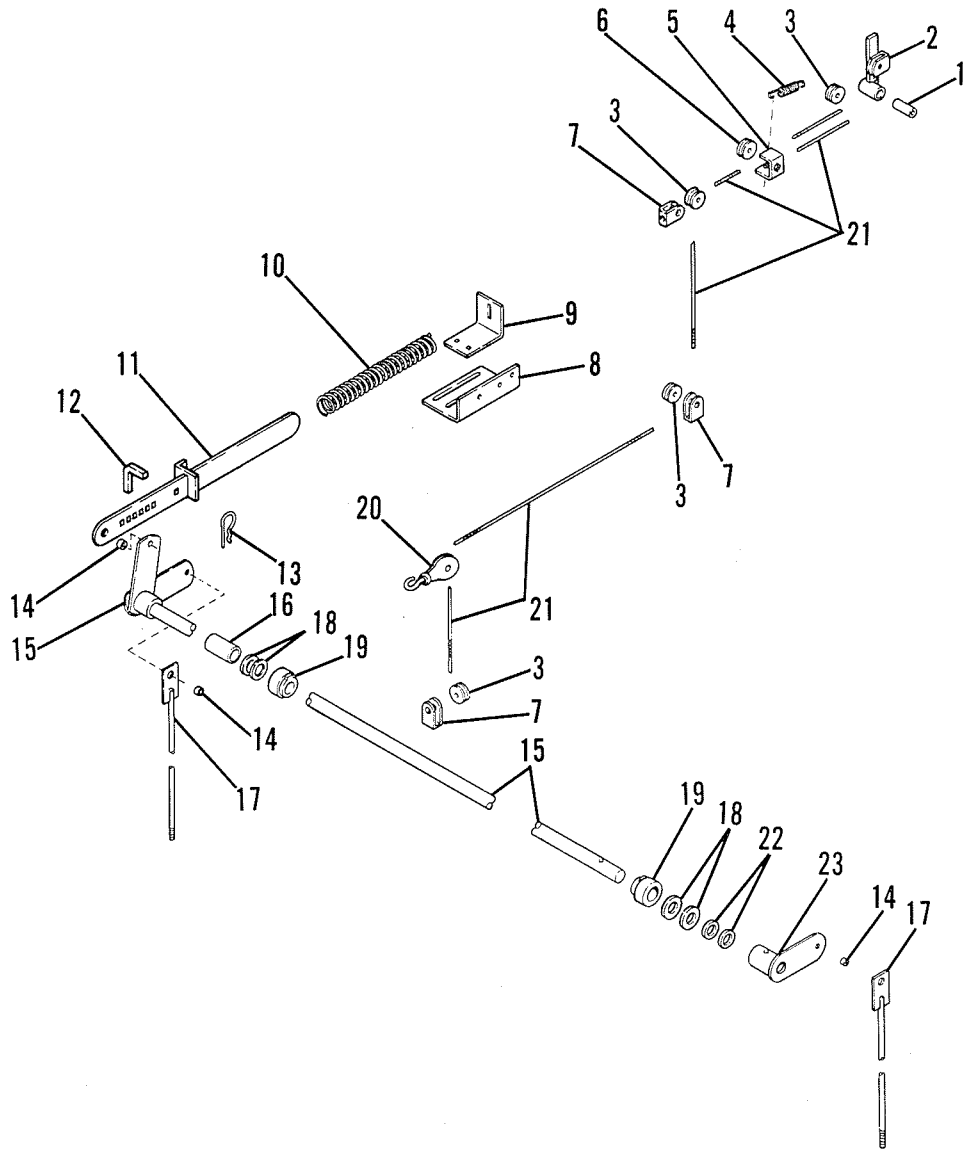


Ref. No.	Part No.	Part Name	No. Req.
1	H6094	Hose Clamp	2
	650453	CS 1/2 x 1-1/2 (NILN)	2
2	060295	Hose Mount	1
	650486	CS 5/16 x 3/4 (LN,P)	2
3	059765	PTO Guard	1
		(2) 5/16 N,L	
4	059766	PTO Shield	1
	650488	CS 1/4 x 3/4 (LN,P)	2
5	061125A	Universal Joint w/Spline Tube - Assembled	1
6	061124A	Universal Joint w/Spline Shaft - Assembled (540 RPM Only)	1
7	D932A	Washer	1
8	056211	Compression Spring	1
9	H8054	Transmission Bearing Shim	1
10	520136	Thrust Washer	2
11	520135	Thrust Bearing	1
12	059754	PTO Mount	1
	650834	CB 1/2 x 1-1/2 (NILN,L,2P)	3
13	666002	Steel Ball - 3/4" Diameter	2
14	059757	PTO Pedestal	1
		(1) 1" JN	
15	059756	PTO Adjustment Rear Plate	1
	650491	CS 3/8 x 1-1/4 (N,L)	3
	650834	CB 1/2 x 1-1/2 (NILN,L,P)	2
16	046754	Bearing Housing	1
	650533	CS 3/8 x 1-1/2 (N,L)	2
17	520066	Bearing	1
18	061006	Joint Screw Lock Wire	1
19	060979	CS 1/2NF x 1-1/4	1
20	071520	Washer	1
21	H6172	Tubular Drive Key	1

Ref. No.	Part No.	Part Name	No. Req.
22	066284A	Tubular Drive - Assembled	1
23	061700B	Shear Bolt - 5/16 x 1-3/4 Grade 2 (540 RPM Only)	1
		(1) 5/16 LN	
24	066280	Universal Rear Guard	1
	650486	CS 5/16 x 3/4 (N,L)	2
25	059692	Shim	8
	650569	CS 1/2 x 1-3/4 (N,L,P)	2
26	066396	Support	1
	650569	CS 1/2 x 1-3/4 (N,L,P)	2
27	067166c	Double Sprocket (21T/21T)	1
	655536	Woodruff Key 3/8 x 1-1/4	1
28	076106D	Transmission - Assembled	1
	570016	Relief Fitting	1
	650704	CB 3/8 x 1 (N,L)	2
29	075450	Universal Guard	1
	650486	CS 5/16 x 3/4 (N,L)	2
30	044116	Latch	1
	650812	RHMS #12-24 x 1/2 (N,L)	2
31	075464	Guard	1
	650486	CS 5/16 x 3/4 (N,L)	2
32	065674	Transmission Side Guard	1
	650486	CS 5/16 x 3/4 (N,L,P)	3
33	065721	Transmission Guard	1
	650448	CS 1/4 x 3/4 (N,L)	4
34	059272	Shear Bolt Holder	2
35	055692	Latch Clip	1
36	055691	Latch Spring	1
37	055690	Latch Handle	1
38	049038	Latch Assembly	1

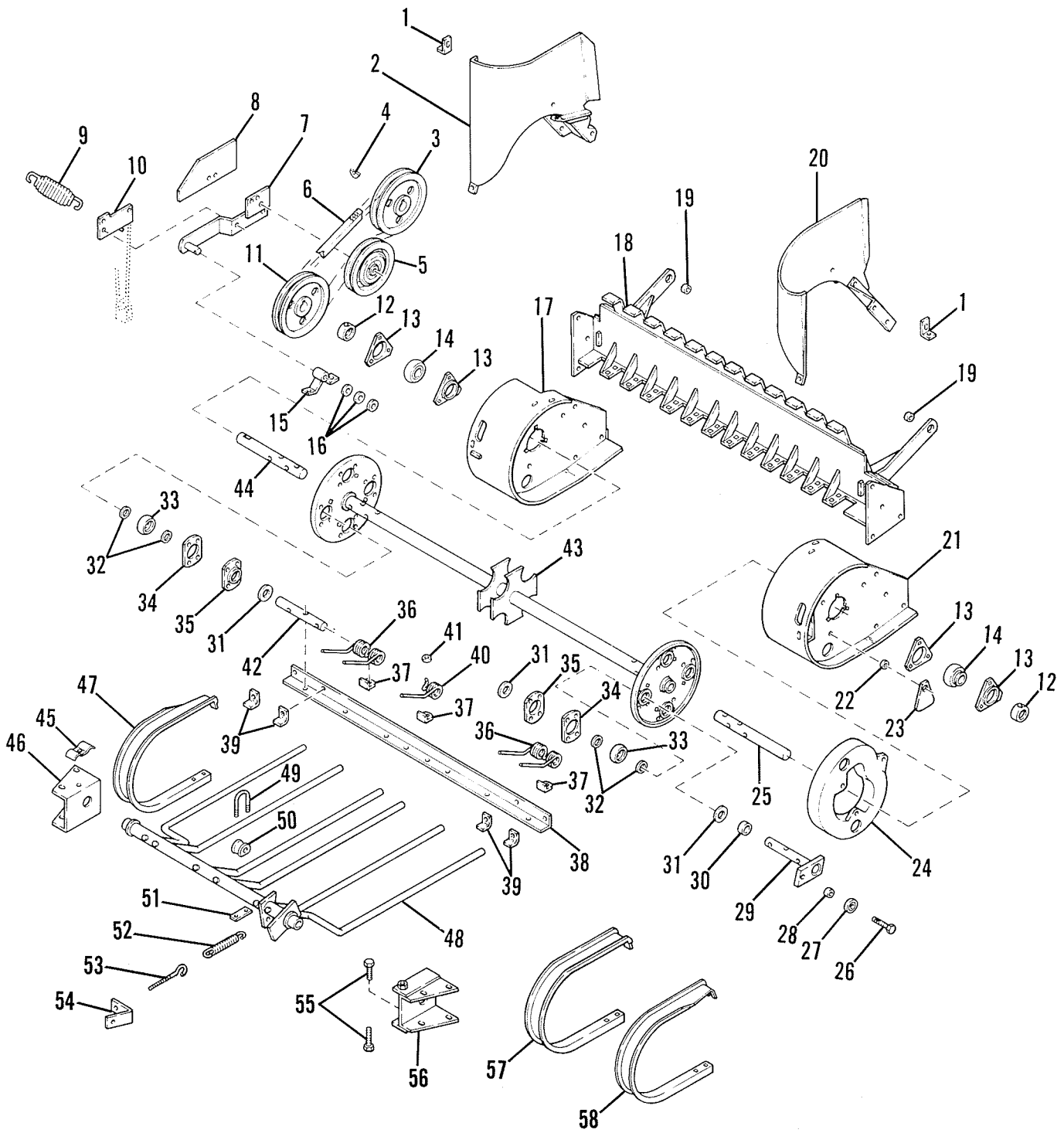
- A For service, see pages titled Universal Drive.
- B For replacement Shear Bolts, order Kit 900015 containing 8 Bolts & Lock Nuts.
- C For Sprocket replacement, **BE SURE** to order Key 655536 separately.
- D For service, see page title Transmission.

RB1460 - PICKUP LIFT & OVERFILL CLUTCH



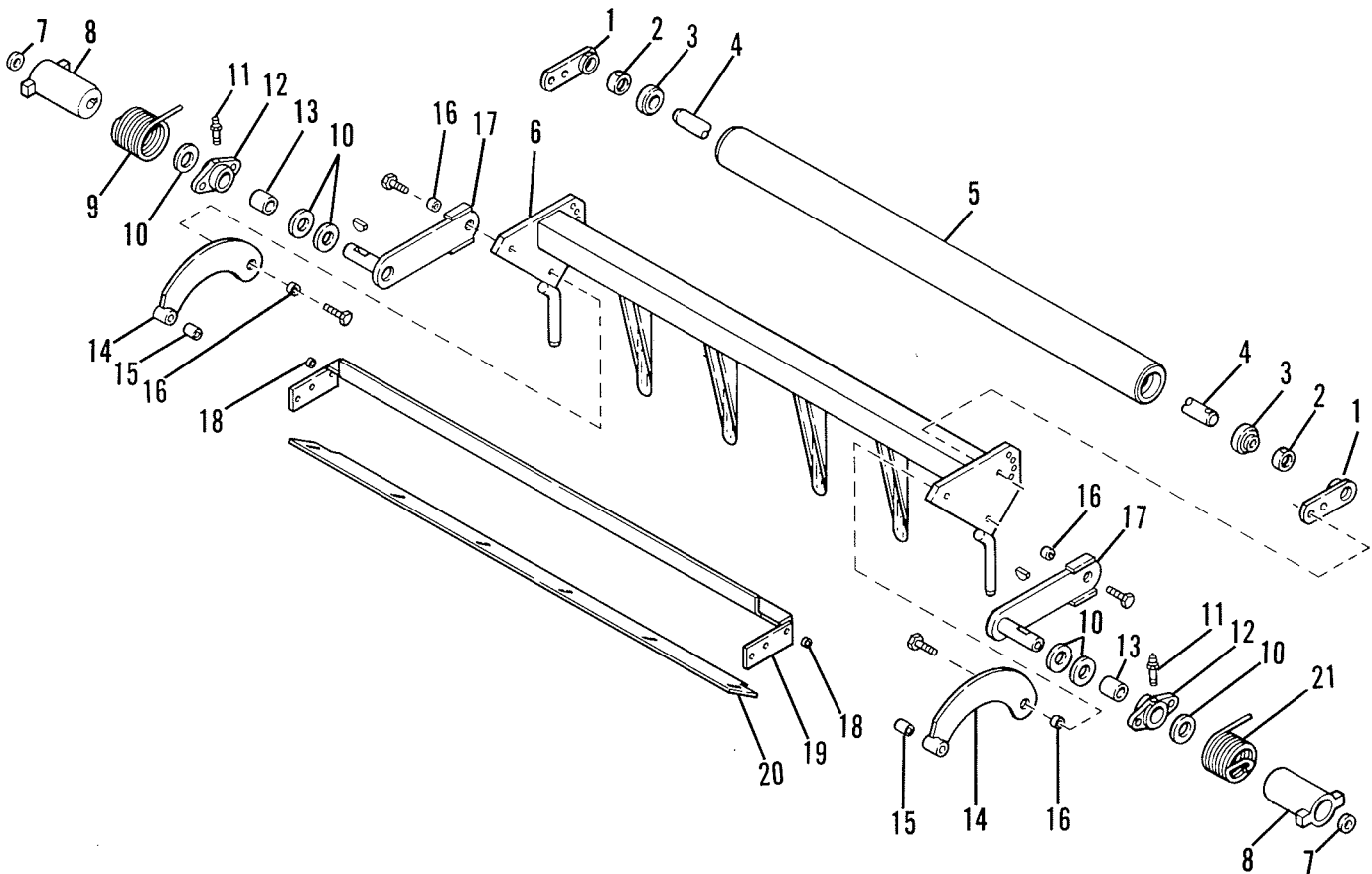
Ref. No.	Part No.	Part Name	No. Req.	Ref. No.	Part No.	Part Name	No. Req.
1	066540	Spacer	1	12	071886	Stop Pin	1
2	066537	Declutch	1	13	9H300	Hairpin Cotter Pin	1
	650859	CS 5/8 x 3-1/4 (N,L,P)	1	14	065703	Spacer	3
3	053900	Pulley	4	15	075458	Lift Right Arm	1
	650545	CS 5/16 x 1-1/4 (LN)	3		650569	CS 1/2 x 1-3/4 (1N1LN,1N1P)	2
	650859	CS 5/16 x 1-3/4 (N,L,LN)	1	16	070868	Spacer	1
4	U10063	Extension Spring	1	17	075507	Lift Rod	2
5	075829	Pulley Bracket	1			(2) LN,P	
6	066542	Pulley	1	18	H7165	Washer	3
	650791	CB 1/2 x 1-3/4 (LN,LN,L)	1	19	065679	Pivot	2
7	056145	Pulley Bracket	3		570002	Grease Fitting	2
	650486	CS 5/16 x 3/4 (N,L)	1	20	058539	1" Diameter Pulley	1
	650487	CS 5/16 x 1 (N,L,IP)	2		650486	CS 5/16 x 3/4 (LN,P)	1
8	075399	Stop Right Bracket	1	21	066544	Wire Rope	1
	650490	CS 3/8 x 1 (1N,L)	3	22	H267A	Washer	2
9	075401	Spring Support Bracket	1	23	075465	Pickup Lift Left Arm	1
	650786	CB 3/8 x 1-1/4 (N,L,P)	2		650492	CS 3/8 x 2-1/2 (LN)	2
10	C133	Compression Spring	1		650569	CS 1/2 x 1-3/4 (LN,P)	1
11	071884	Spring Guide	1				

RB1460 - PICKUP



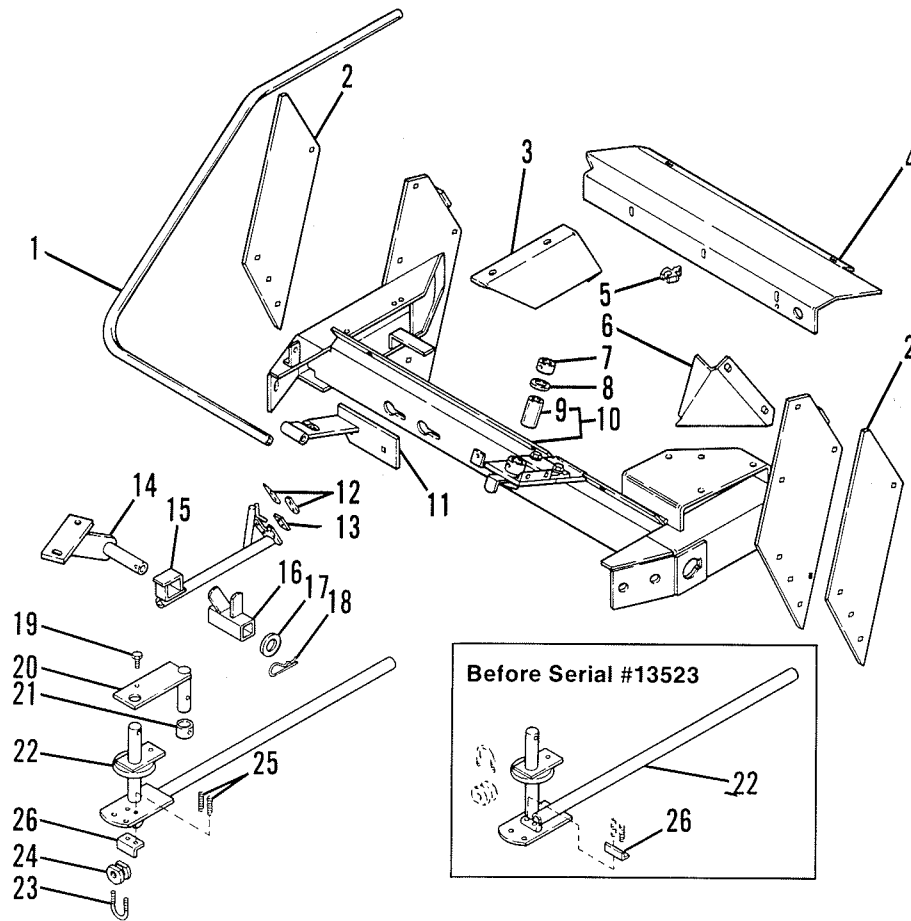
Ref. No.	Part No.	Part Name	No. Req.	Ref. No.	Part No.	Part Name	No. Req.
1	066511	Angle.....	2	30	071605	Spacer.....	4
	650687	CB 5/16 x 3/4 (N,L).....	2	31	066487	Washer.....	12
	650949	THMS 5/16 x 3/4 (N,L,P).....	2	32	041881	Oil Seal.....	16
2	071627	Right Crowder.....	1	33	056249	Sintered Bearing.....	8
	650488	CB 3/8 x 3/4 (N,L).....	1	34	071606	Retainer Shim.....	8
	650949	THMS 5/16 x 3/4 (N,L,P).....	3	35	H7125	Cam Bearing Retainer.....	8
3	076732	Sheave - 7-5/8" Dia.	1		650488	CS 3/8 x 3/4 (N,L).....	28
	650213	SHSS-SL 3/8 x 3/8.....	1		650965	CS 3/8 x 1-1/4 Grade 8 (N,L)....	4
4	073846	Woodruff Key 1/4 x 1.....	1	36	071607	Pickup Tine.....	24
5	053688	Belt Idler.....	1		650545	CS 5/16 x 1-1/4 (NILN).....	20
	650647	CS 5/8 x 2 (N,L,P).....	1		650568	CS 5/16 x 2 (NILN).....	4
6	067516	V-Belt.....	1	37	066492	Tine Clip.....	28
7	066526	Idler Arm.....	1	38	071969	Tine Support.....	4
	650490	CS 3/8 x 1 (N,L).....	1	39	071048	Tinebar Spacer.....	16
	650579	CS 3/8 x 1-3/4 (N,L,P,LN).....	1	40	071939	Pickup Tine.....	4
	655020	Cotter Pin 3/16 x 1-1/2.....	1		650545	CS 5/16 x 1-1/4 (NILN).....	4
8	066532	Idler Shield.....	1	41	042135	Washer.....	20
	650542	CS 1/4 x 1/2 (L).....	2	42	071609	Tine Angle Right Shaft.....	4
9	066531	Extension Spring.....	1		650568	CS 5/16 x 2 (NILN).....	4
10	066528	Tension Plate.....	1		650528	CS 3/8 x 2 (LN).....	8
11	071635	Sheave - 8-1/2" Diameter.....	1	43	071970	Carrier Pickup.....	1
	650513	Woodruff Key 1/4 x 1.....	1		650528	CS 3/8 x 2 (LN).....	8
	650213	SHSS-SL 3/8 x 3/8.....	2	44	071601	Pickup Right Shaft.....	1
12	520085	Collar.....	2	45	H6094	Hose Clamp.....	1
13	H8334	Bearing Retainer.....	4		650495	CS 1/2 x 1-1/4 (N,L,P).....	1
	650704	CB 3/8 x 1 (N,L).....	6	46	071645	Mounting Right Bracket.....	1
14	520065	Bearing.....	2		650487	CS 5/16 x 1 (N,L,P).....	2
15	066533	Idler Pivot.....	1		650545	CS 5/16 x 1-1/4 (N,L,P).....	2
	570009	Grease Fitting.....	1	47	075650	Tine Right Guide.....	1
	650490	CS 3/8 x 1 (N,L).....	2		650790	CB 3/8 x 3/4 (2N,2L,1LN,1P)....	3
16	H8354	Retainer Washer.....	3	48	075467	Holddown.....	1
17	071620	Right Header.....	1	49	075460	U-Bolt.....	1
18	072014	Hanger Stripper.....	1		(2) 5/16 LN		
	650490	CS 3/8 x 1 (N,L).....	7	50	059721	Rope Guide.....	1
19	057512	Pivot Bushing.....	2	51	075499	Strap.....	1
	650498	CS 1/2 x 6 (NILN,4P).....	2	52	U10014B	Extension Spring.....	1
20	071631	Left Crowder.....	1	53	17H281	Eyebolt.....	1
	650488	CS 3/8 x 3/4 (N,L).....	1		(2) 3/8 N		
	650949	THMS 5/16 x 3/4 (N,L,P).....	3	54	071647	Angle.....	1
21	072557	Left Header.....	1		650490	CS 3/8 x 1 (N,L).....	1
22	058807	Washer.....	1	55	071646	CS 1/2 x 2 (Full Thread).....	2
23	071626	Cover.....	1		(2) 1/2 N		
24	069531	Pickup Cam.....	1	56	071643	Mounting Left Bracket.....	1
	650495	CS 1/2 x 1-1/4 (NILN).....	2		650487	CS 5/16 x 1 (N,L,P).....	2
	650453	CS 1/2 x 1-1/2 (NILN,P).....	1		650545	CS 5/16 x 1-1/4 (N,L,P).....	2
25	066480	Pickup Left Shaft.....	1	57	071637	Tine Guide.....	10
26	066490	CS w/ Patch - 1/2 x 1-1/2.....	4		650790	CB 3/8 x 3/4 (N,L,10LN,10P)....	30
27	520175	Ball Bearing.....	4	58	075651	Tine Left Guide.....	1
28	066489	Cam Roller Spacer.....	4		650790	CB 3/8 x 3/4 (2N,2L,1LN,1P)....	3
29	072554	Cam Arm.....	4				
	650568	CS 5/16 x 2 (NILN).....	4				
	650528	CS 5/8 x 2 (NILN).....	8				

RB1460 - BALE STARTER & SCRAPER



Ref. No.	Part No.	Part Name	No. Req.	Ref. No.	Part No.	Part Name	No. Req.
1	069797	Starter Support	2	13	070795	Sleeve	2
	650490	CS 3/8 x 1 (LN)	2	14	075420	Link	2
	650491	CS 3/8 x 1-1/4 (4LN)	2	15	070804	Spacer Pivot	2
2	520084	Collar	2		650818	CS 3/8 x 3 (L,P,NILN)	2
3	520062	Bearing	2	16	057185	Spacer	4
4	071980	Bale Starter Shaft	1		650978	CS 3/8 x 1-3/4 Gr. 8 (8LN,P)	4
	650706	CS 1/4 x 2 (LN)	1	17	075418	Bale Starter Arm	2
5	071770	Bale Starter Roll	1		650513	Woodruff Key 1/4 x 1	2
6	075535	Bale Starter	1	18	061501	Spacer	2
7	063586	Washer	2	19	075694	Scraper	1
	650491	CS 3/8 x 1-1/4 (L)	2		650490	CS 3/8 x 1 (L)	4
8	070797	Spring Plug	2	20	075699	Blade	1
9	070798	Bale Starter Right Spring	1		650487	CS 5/16 x 1 (L,P)	6
10	066487	Washer	6	21	070796	Bale Starter Left Spring	1
11	064389	Grease Fitting	2				
12	070791	Bale Starter Bearing	2				
	650491	CS 3/8 x 1-1/4 (LN,L)	4				

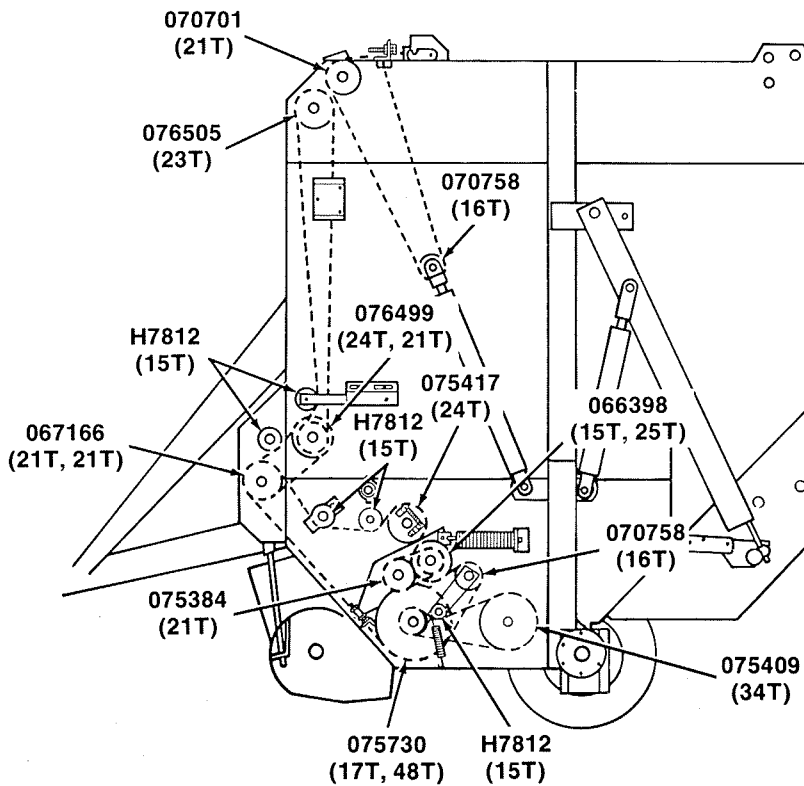
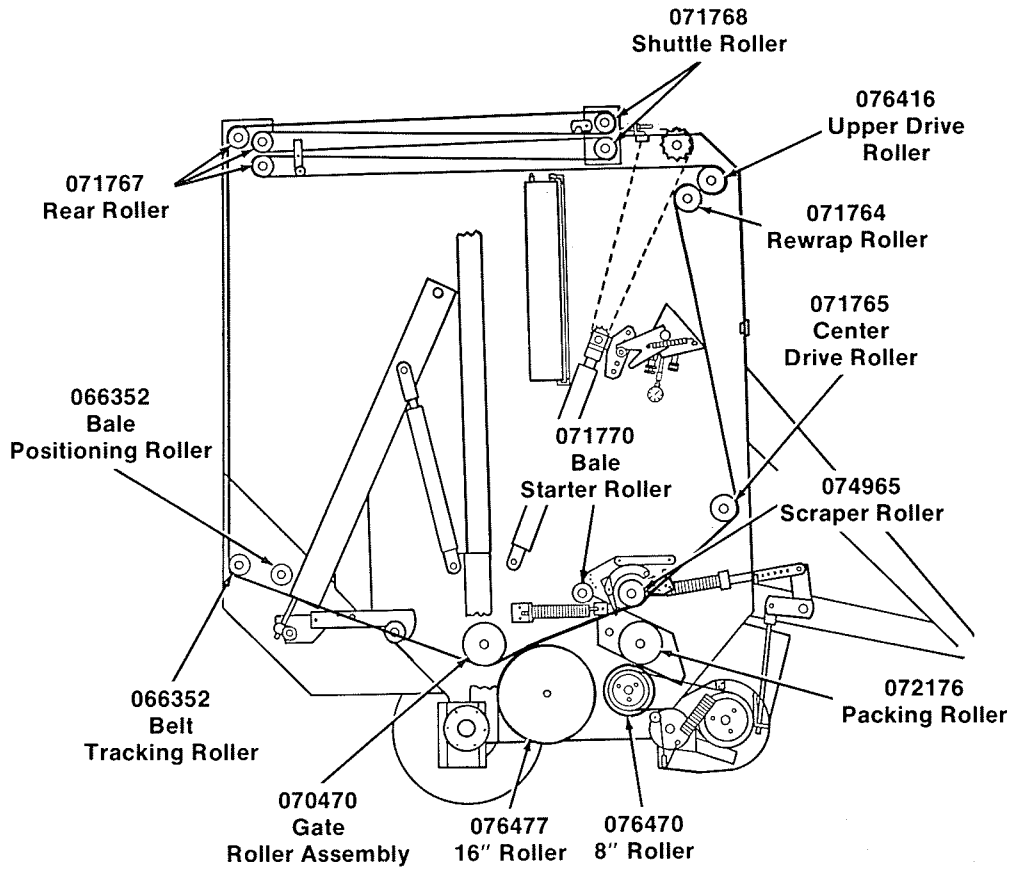
RB1460 - CROSSFRAME, TWINE TUBES & CUTOFF



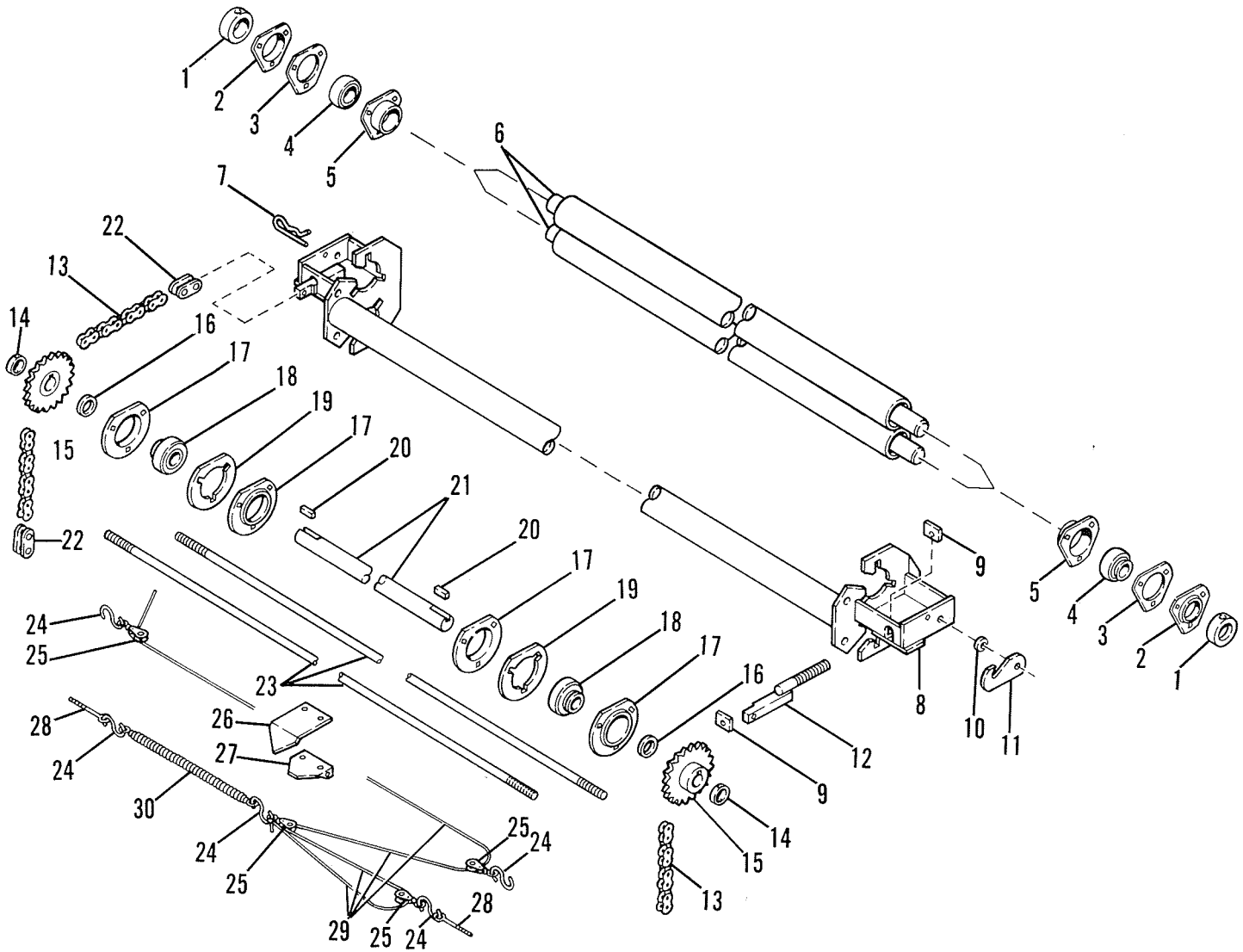
Ref. No.	Part No.	Part Name	No. Req.	Ref. No.	Part No.	Part Name	No. Req.
1	075425	Twine Tube	1	16	075945	Knife Lift Arm.....	1
2	070691	Filler Plate	2	17	H8330	Washer	1
3	075426	Knife Cover	1	18	9H300	Hairpin Cotter Pin	1
	650487	CS 5/16 x 1 (N,L,P)	2	19	061708A	Shear Bolt 1/4 x 1 Grade 2	1
4	075422	Front Cover	1		(1) 1/4 LN		
	650486	CS 5/16 x 3/4 (N,L)	2	20	075427	Activating Arm	1
	650487	CS 5/16 x 1 (N,L,2P)	3	21	059708	Spacer	1
5	075461	Safety Tine Holder	3		650692	CS 5/16 x 1-3/4 (LN).....	1
6	075688	Deflector.....	1	22	076890	Twine Assembly Tube.....	1
7	075447	Collar	1		(Used after Serial #13522)		
	650579	CS 3/8 x 1-3/4 (LN).....	1		075430B	Twine Assembly Tube.....	1
8	17H140	Washer	1		(Used before Serial #13523)		
9	075331	Bushing.....	1	23	B11069	U-Bolt	1
10	075325	Front Frame.....	1		(2) 5/16 LN		
	570019	Grease Fitting	1	24	059721	Rope Guide	1
	650786	CB 3/8 x 1-1/4 (N,L)	8	25	M12361	Spring	2
11	075440	Cylinder Mount	1	26	076892	Twine Brake	1
	650527	CB 1/2 x 1-1/4 (N,L)	2		(Used after Serial #13522)		
	650453	CS 1/2 x 1-1/2 (JN)	1		057422c	Twine Brake	1
	650918	CS 1/2 x 7-1/2 (NILN).....	1		(Used before Serial #13523)		
12	057919	Twine Knife	2		650979	CS 1/4 x 3-1/4 (LN,P)	2
	650448	CS 1/4 x 3/4 (N,L)	2				
	650835	CS 1/4 x 1 (N,L)	2				
13	057920	Knife Spacer.....	1				
14	075941	Knife Pivot	1				
	650495	CS 1/2 x 1-1/4 (N,L)	2				
15	075937	Twine Knife	1				

- A** For replacement Shear Bolts, order Kit 900091 containing 8 Bolts.
- B** For replacement, order 076890 Twine Tube & 076892 Twine Brake.
- c** For replacement, order 076892 Brake.

RB1460 - SPROCKET & ROLLER PART NUMBER GUIDE

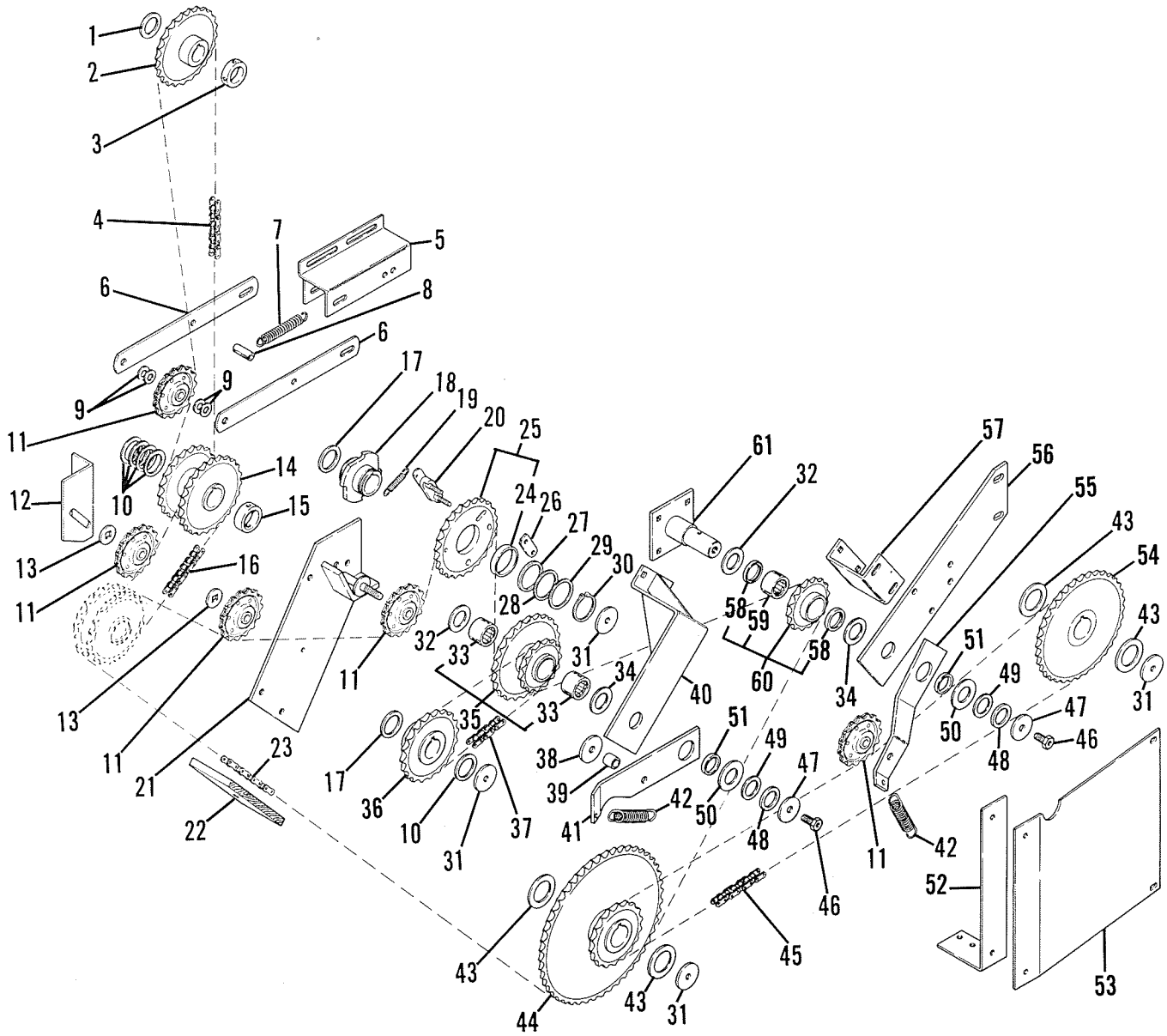


RB1460 - SHUTTLE & BALE SIZE INDICATOR



Ref. No.	Part No.	Part Name	No. Req.	Ref. No.	Part No.	Part Name	No. Req.
1	520085	Collar	4	15	070701	Sprocket 21T	2
2	H8334	Bearing Retainer	4	16	H7165	Washer	4
3	066181	Bearing Spacer	4	17	051525	Bearing Retainer	4
4	520065	Bearing	4		650704	CB 3/8 x 1 (N,L)	6
5	066309	Bearing Retainer	4	18	057179	Bearing	2
	650704	CB 3/8 x 1 (LN,P)	12	19	061509	Shim	2
6	071768	Shuttle Roller	2	20	066160	Square Key 5/16 x 2	2
7	9H300	Hairpin Cotter Pin	2	21	071986	Stabilizer Shaft	1
8	071981	Shuttle	1	22	070643	Plain Link	4
	650834	CB 1/2 x 1-1/2 (N,JN)	2	23	066155	Rewrap Rod	2
9	059720	Takeup Retainer	2		(8) 5/8 N		
	650487	CS 5/16 x 1 (N,L)	1	24	B11433A	S-Hook	5
10	055142	Spring Washer	2		650491	CS 3/8 x 1-1/4 (N,L,P)	1
11	057980	Hook	2	25	071660	Pulley	4
	650495	CS 1/2 x 1-1/4 (NILN)	2	26	066173	Bale Size Indicator	1
12	070730	Chain Take-up	1		650490	CS 3/8 x 1 (N,L,4P)	2
	(2) 3/4 N			27	066174	Indicator Base	1
13	071942	Roller Chain (#60) of 89 Links Only	2	28	065811	Eyebolt	2
14	074408	Collar	2		(4) 5/16 N,2P		
	650706	CS 1/4 x 2 (LN)	2	29	052595	Indicator Cord 3/16 x 138	1
				30	056336	Extension Spring	1

RB1460 - ROLLER DRIVES

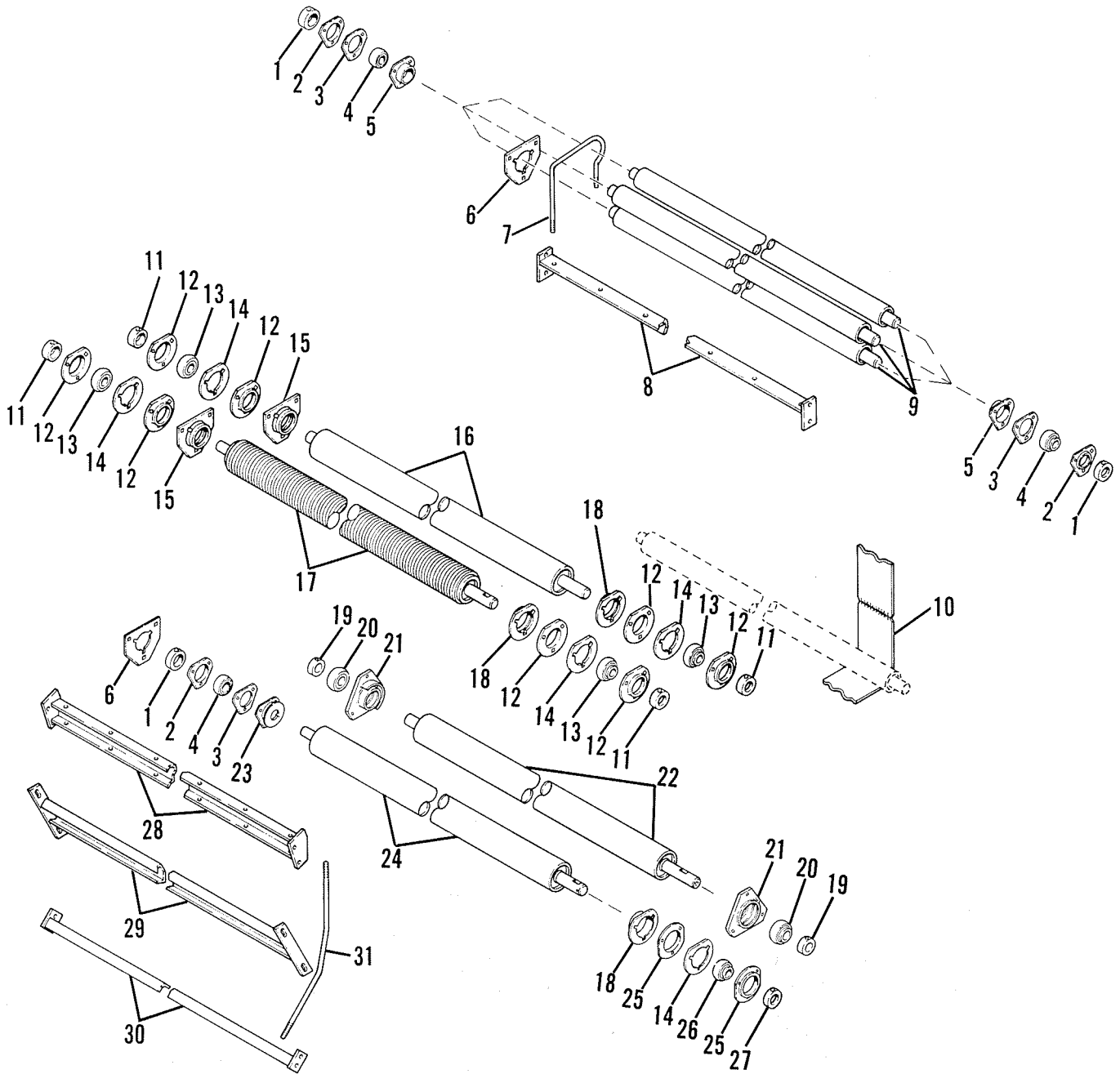


RB1460 - ROLLER DRIVES

Ref. No.	Part No.	Part Name	No. Req.	Ref. No.	Part No.	Part Name	No. Req.
1	B11162B	Washer	1	31	17H361	Washer	4
2	076505	Sprocket (23T)	1		650490	CS 3/8 x 1 (L)	4
	655539	Woodruff Key 1/4 x 1-1/8	1	32	057350	Thrust Bearing Race	2
3	058489	Set Collar	1	33	056345	Needle Bearing	2
	650204	SHSS 5/16 x 3/8	1	34	057351	Thrust Washer	2
4	076439	Chain (#60) of 137 Links Including One 500160 Plain Connector & One 500161 Offset Connector	1	35	066398	Idler Sprocket (15/25T)	1
			1	36	075384	Sprocket (21T)	1
5	076502	Idler Bracket	1		655536	Woodruff Key 3/8 x 1-1/4	1
	650704	CB 3/8 x 1 (N,L,P)	2	37	070323	Chain (#60) of 42 Links Including One 500160 Connector	1
6	066392	Idler Arm	2	38	074028	Hardened Washer	1
	650818	CS 3/8 x 3 (LN,P)	2	39	074027	Spacer	1
	650850	CS 1/2 x 2-3/4 (N,L)	1		650569	CS 1/2 x 1-3/4 (LN)	1
7	17H349	Extension Spring	1	40	075482	Outboard Support	1
8	076504	Idler Bracket Spacer	1		650704	CB 3/8 x 1 (N,L)	2
9	058357	Washer	4	41	075419	Idler Arm	1
10	070736	Washer	5	42	071999	Extension Spring	2
11	H7812	Idler Sprocket (15T)	5	43	042158	Washer	4
	650585	CS 1/2 x 2 (N,P)	1	44	075730	Sprocket (17/48T)	1
12	075689	Idler Bracket	1		650601	Woodruff Key - HD 3/8 x 1-1/2	1
	650704	CB 3/8 x 1 (N,L)	2	45	075705A	Chain (#60HE) of 61 Links Including One Plain & One Offset Connector	1
	650774	CB 1/2 x 2 (N,L)	1				1
13	048459	Washer	2	46	9H240	CS 1/2 x 1 Grade 2	2
14	076499	Sprocket (21/24T)	1		570019	Grease Fitting	2
	655537	Woodruff Key 5/16 x 1-1/4	1			(2) 1/2 L	
15	072069	Collar	1	47	055447	Washer	2
	650977	CS 5/16 x 2-1/4 Gr. 8 (LN)	1	48	C14121	Washer	2
16	075412	Roller Chain (#60HE) of 50 Links Including One 055903 Plain Connector	1	49	061529	Washer	2
			2	50	054353	Washer	2
17	057617	Washer	2	51	070749	Spacer	2
18	073722	Clutch Plate	1	52	076548	Spring Anchor	1
	655537	Woodruff Key 5/16 x 1-1/4	1	53	076549	Chain Guard	1
19	070870	Extension Spring	1		650618	TCS 5/16 x 5/8	2
20	075406	Clutch Link	1		650486	CS 5/16 x 3/4 (N,L)	1
		(2) 5/16 NILN			650577	CS 5/16 x 1-1/2 (2N)	1
21	075691	Idler Bracket	1	54	075409	Sprocket (34T)	1
	650490	CS 3/8 x 1 (L,1N)	3		650601	Woodruff Key - HD 3/8 x 1-1/2	1
	650773	CB 3/8 x 1-1/2 (N,L)	1	55	075700	Idler Arm	1
		(1) 1/2 NILN,L		56	075701	Outboard Plate	1
22	075383	Chain Slide	1		650491	CS 3/8 x 1-1/4 (N,L,P)	2
	650704	CB 3/8 x 1 (N,L)	1		650453	CS 1/2 x 1-1/2 (N,L,4P)	2
23	075489	Chain (#60) of 146 Links Including One 500160 Connector	1	57	075702	Outboard Plate Support	1
			1		650704	CB 3/8 x (N,L)	2
24	069847	Bronze Bushing	1	58	053342	Oil Seal	2
25	075417	Sprocket (24T)	1	59	051520	Needle Bearing	1
	650588	CS 1/4 x 1-1/2 (2N)	1	60	070758	Sprocket (16T)	1
26	075395	Link Stabilizer Plate	1	61	075402	Jackshaft	1
27	069794	Shim Washer (0.134)	1		650790	CB 3/8 x 3/4 (LN)	2
28	069793	Shim Washer (0.050)	1				
29	069792	Shim Washer (0.036)	1				
30	052205	Retaining Ring	1				

A For replacement Plain Connector, order part #055903.

RB1460 - UPPER BELTS, ROLLERS & RELATED COMPONENTS

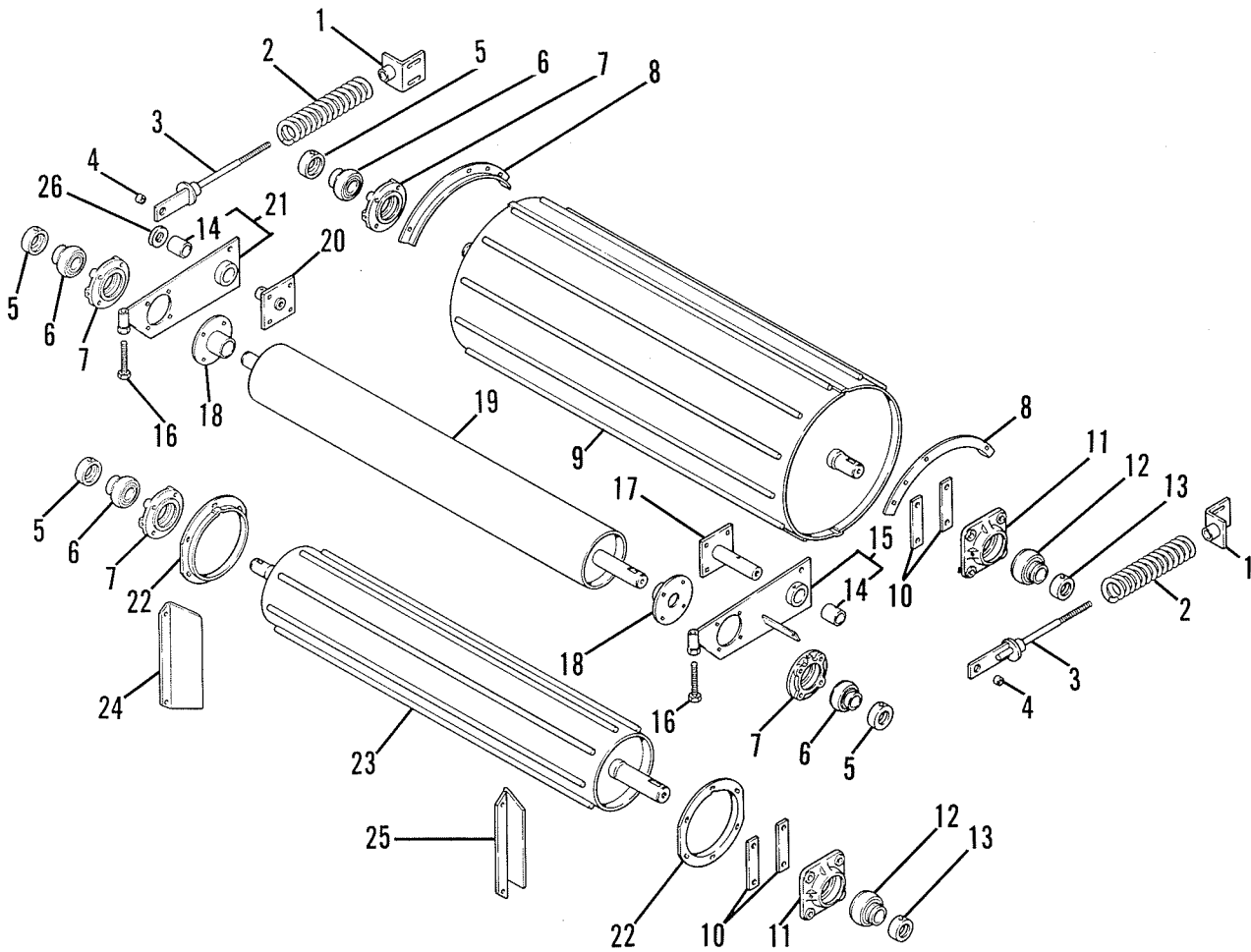


RB1460 - UPPER BELTS, ROLLERS & RELATED COMPONENTS

Ref. No.	Part No.	Part Name	No. Req.	Ref. No.	Part No.	Part Name	No. Req.
1	520085	Collar	7	20	074964	Bearing	2
2	H8334	Bearing Retainer	7	21	074963	Bearing Housing	2
	650704	CB 3/8 x 1 (N,L)	21		570019	Grease Fitting	2
3	066181	Bearing Spacer	7		650704	CB 3/8 x 1 (N,L)	6
4	520065	Bearing	7	22	074965	Roller Scraper	1
5	066309	Bearing Retainer	6	23	066182	Roll Shield	1
	650704	CB 3/8 x 1 (N,L)	21		650704	CB 3/8 x 1 (N,L)	3
6	066183	Plate	2	24	071765	Center Drive Roller	1
	650704	CB 3/8 x 1 (N,L)	6	25	S16215	Bearing Retainer	2
7	066178	Rear Guide Rod	6		650786	CB 3/8 x 1-1/4 (N,L)	3
	(24) 1/2 N			26	520158	Ball Bearing	1
8	071974	Belt Guide	2	27	520093	Collar	1
	650490	CS 3/8 x 1 (N,L)	6	28	071976	Belt Guide	1
	650491	CS 3/8 x 1-1/4 (N,L,P)	2		650490	CS 3/8 x 1 (N,L)	4
9	071767	Rear Roller	3	29	066170	Belt Guard	1
10	075567A	Upper Belt	5		650490	CS 3/8 x 1 (N,L,P)	4
11	520090	Collar	4	30	071972	Belt Front Guide	1
12	051525	Bearing Retainer	8		650490	CS 3/8 x 1 (N,L)	4
	650704	CB 3/8 x 1 (N,L)	3	31	059650	Rod Front Guide	6
	650786	CB 3/8 x 1-1/4 (N,L)	6		(24) 1/2 N		
13	057179	Bearing	4				
14	061509	Shim	5				
15	070702	Roll Shield	2				
	650490	CS 3/8 x 1 (N,L)	4				
	650704	CB 3/8 x 1 (N,L)	2				
16	071764	Rewrap Roller	1				
17	076416	Upper Drive Roller	1				
	655539	Woodruff Key 1/4 x 1-1/8	1				
18	057965	Roll Shield	3				
19	520067	Collar	2				

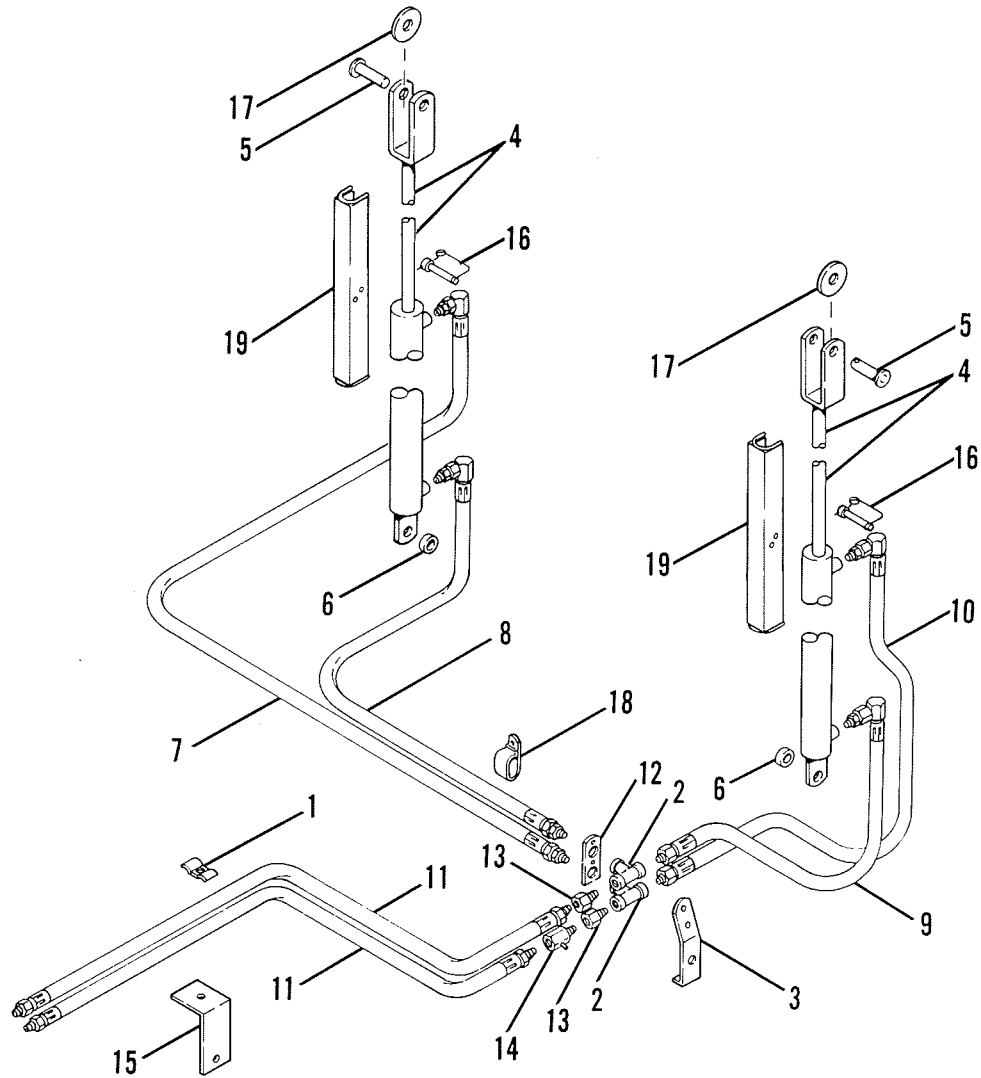
A For Belt replacement, order Kit 075568 which includes Belt & 059803 Lacing Pin. For Belt repair, order Dutchman Kit 076631. For splicing Upper Belts, order 72" Lacing Cable 060345 and cut to length. For Lacing Hook repair, order Kit 802700 which includes Vice Lacer & Lacing Hooks or Kit 073390 which includes only Lacing Hooks and a Cable.

RB1460 - LOWER ROLLERS



Ref. No.	Part No.	Part Name	No. Req.	Ref. No.	Part No.	Part Name	No. Req.
1	075413	Spring Mount	2	15	075494	Roll Left Arm	1
	650704	CB 3/8 x 1 (N,L,P)	4		570023	Grease Fitting	1
2	066221	Compression Spring	2	16	062342	HTB 1/2 x 3-1/2	2
3	075393	Spring Guide Arm	2		(2) 1/2 N		
	650495	CS 1/2 x 1-1/4 (LN,P,NILN)	2	17	074669	Left Jackshaft	1
4	066226	Pivot Bushing	2		650790	CB 3/8 x 3/4 (LN)	4
5	520093	Collar	4	18	075396	Roll Shield	2
6	041499	Ball Bearing	4		650860	CB 3/8 x 1-3/4 (N,L)	7
7	061809	Bearing Housing	4	19	072176	Packing Roller	1
	570003	Grease Fitting	4	20	074667	Right Jackshaft	1
	650533	CS 3/8 x 1 (JN,L)	1		650554	Cotter Pin 1/4 x 2-1/4	1
	650579	CS 3/8 x 1-3/4 (L)	8		650790	CB 3/8 x 3/4 (LN)	4
	650860	CB 3/8 x 1-3/4 (N,L)	7	21	075490	Roll Right Arm	1
8	075502	16" Roll Shield	2		570002	Grease Fitting	1
	650704	CB 3/8 x 1 (5N,5L,2LN)	7	22	051916	Flange	2
9	076477	16" Diameter Roll	1		650687	CB 5/16 x 3/4 (N,L)	6
	650601	Drive Key 3/8 x 1	1	23	076470	8" Diameter Roll	1
10	075729	Bearing Spacer	4	24	075500	Crop Right Deflector	1
11	R13216	Bearing Housing	2		650486	CS 5/16 x 3/4 (N,L)	2
	570012	Grease Fitting	2	25	075501	Crop Left Deflector	1
	650569	CS 1/2 x 1-3/4 (L)	8		650486	CS 5/16 x 3/4 (N,L)	1
12	520098	Ball Bearing	2		650487	CS 5/16 x 1 (N,L)	1
13	520099	Collar	2	26	B11090	Washer	1
14	066208	Bronze Bushing	2				

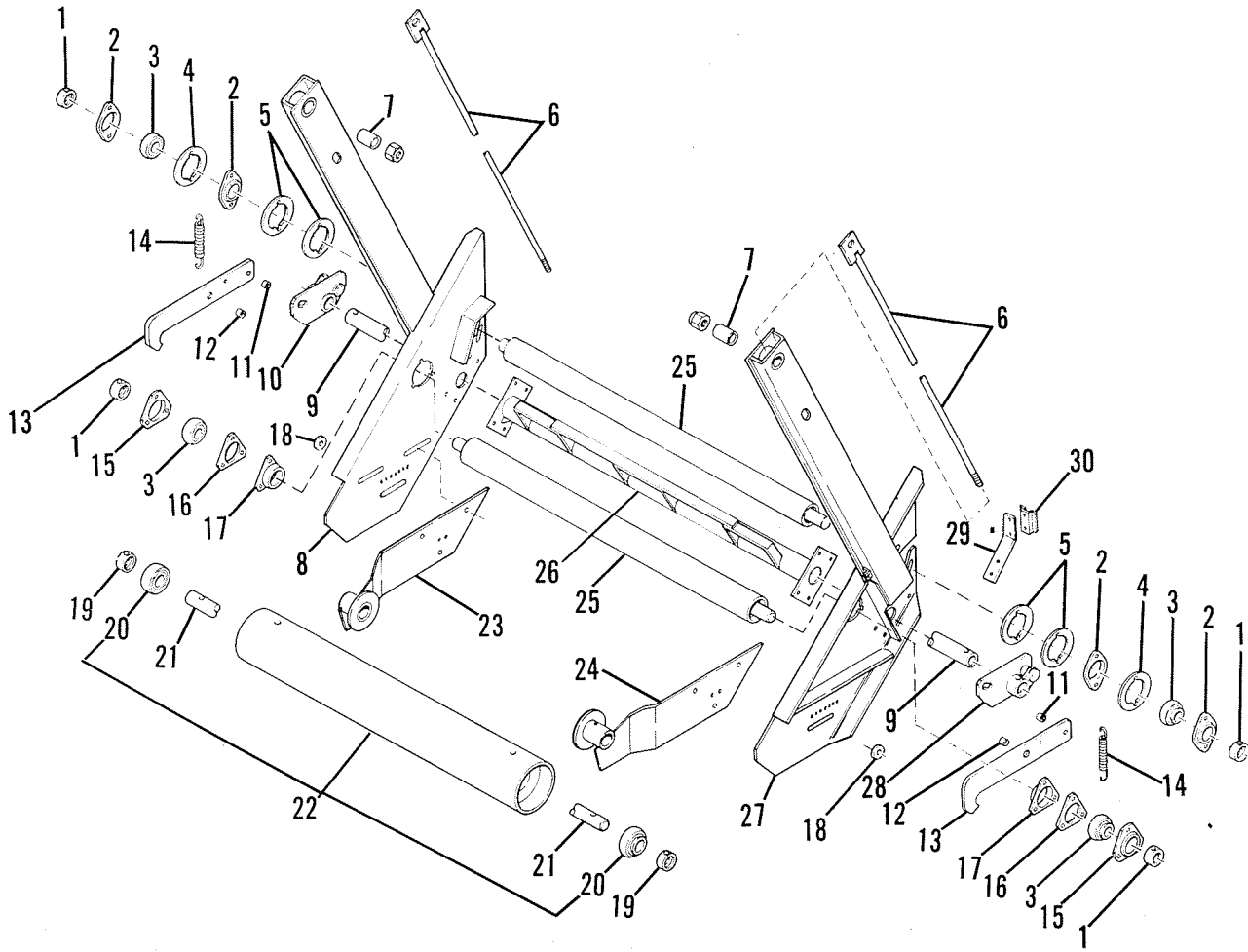
RB1460 - GATE HYDRUALICS



Ref. No.	Part No.	Part Name	No. Req.	Ref. No.	Part No.	Part Name	No. Req.
1	H6094	Hose Clamp	1	11	066428	Hose - 100"	2
	650453	CS 1/2 x 1-1/2 (NILN)	1	12	066429	Retainer Plate	1
2	059113	1/4 Pipe Tee	2		650579	CS 3/8 x 1-3/4 (LN)	2
3	066260	Junction Plate	1	13	066431	Reducing Connector	2
	650649	CS 3/4 x 2 (N,L)	1	14	066432	Unidirectional Valve	1
4	066378A	Cylinder - 2" Bore & 15.12 Stroke	2	15	066446	Hose Bracket	1
	650913	CS 1-NF x 2-1/2 (NILN,P)	2		650491	CS 3/8 x 1-1/4 (N,L)	1
5	066383	Pin	2	16	066452	Locking Pin	2
	655022	Cotter Pin 3/16 x 1-3/4	2	17	067491	Washer	2
6	066385	Cylinder Anchor Pivot	2	18	067880	Hose Clamp	3
7	076114	Hose - 130"	1		650487	CS 5/16 x 1 (N,L,2P)	3
8	076115	Hose - 105"	1	19	075448	Cylinder Lock	2
9	076112	Hose - 72"	1				
10	076113	Hose - 90"	1				

A For Hydraulic Cylinder Seal Kit, specify part #066551.

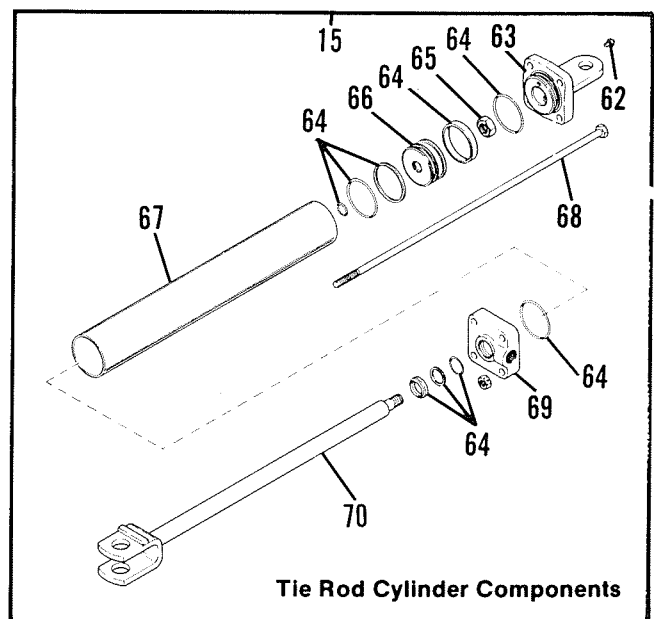
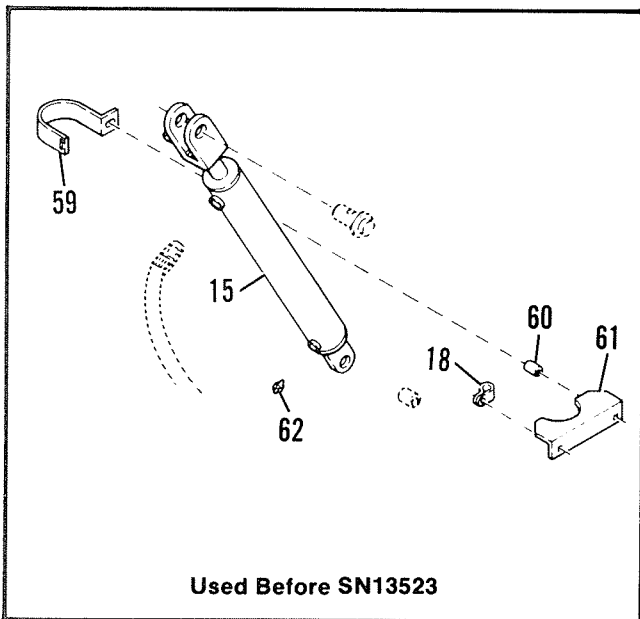
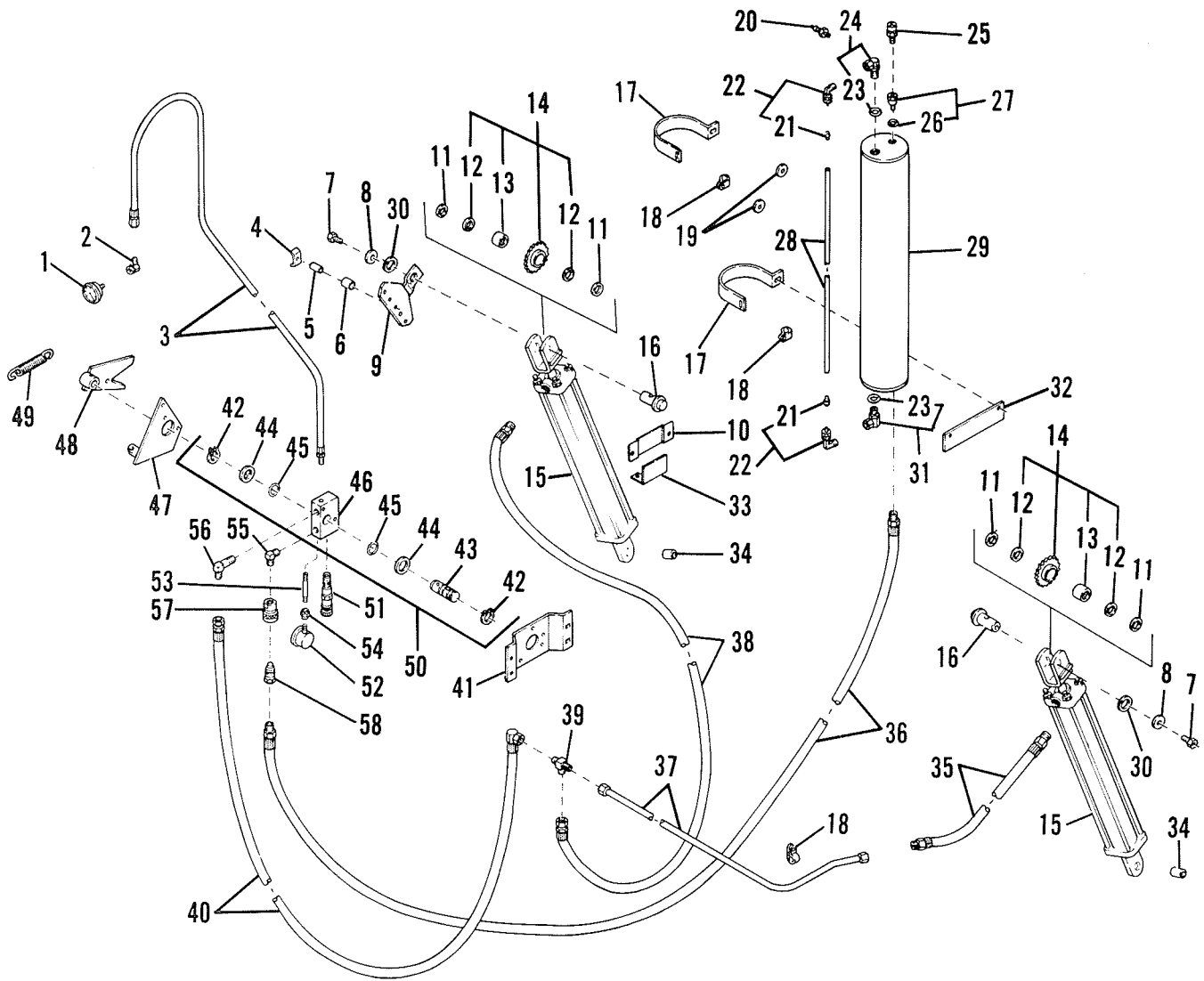
RB1460 - REAR GATE



RB1460 - REAR GATE

Ref. No.	Part No.	Part Name	No. Req.	Ref. No.	Part No.	Part Name	No. Req.
1	520085	Collar	4	17	066309	Bearing Retainer	2
2	H487	Bearing Retainer	4		650704	CB 3/8 x 1 (N,L)	6
	650786	CB 3/8 x 1-1/4 (N,L)	4	18	071520	Washer	6
3	520065	Bearing	4	19	520093	Collar	2
4	066350	Spacer	2	20	041499	Ball Bearing	2
5	066351	Spacer	4	21	069789	Roller Shaft	1
6	066380	Lift Rod	2		650784	CS 5/16 x 2-3/4 (LN)	2
	(2) 1/2	NILN		22	070470	Gate Roller	1
7	066377	Gate Pivot Bushing	2		570019	Grease Fitting	2
	650914	CS 1NF x 3-3/4 (NILN,P)	2	23	075552	Gate Roller Right Arm	1
8	075541	Right Gate	1		650487	CS 5/16 x 1 (N,L)	1
	570019	Grease Fitting	1		650569	CS 1/2 x 1-3/4 (NILN,L)	3
	570009	Grease Fitting	1	24	075554	Gate Roller Left Arm	1
	650487	CS 3/8 x 1 (2N)	1		650487	CS 5/16 x 1 (N,L)	1
9	066363	Gate Lock Pivot Tube	1		650569	CS 1/2 x 1-3/4 (NILN,L)	3
	650492	CS 3/8 x 2-1/2 (LN)	2	25	066352	Rear Roller	2
10	066365	Torsion Right Arm	1	26	071978	Belt Guide	1
	650492	CS 3/8 x 2-1/2 (LN)	2		650490	CS 3/8 x 1 (N,L)	8
11	6H130	Bearing Pivot	2	27	075547	Left Gate	1
	650569	CS 1/2 x 1-3/4 (NILN,P)	2		570019	Grease Fitting	1
12	066369	Gate Lock Arm Bushing	2		570009	Grease Fitting	1
	650569	CS 1/2 x 1-3/4 (NILN,P)	2		650487	CS 5/16 x 1 (2N)	1
13	070750	Gate Lock Arm	2	28	066364	Torsion Left Arm	1
	650545	CS 5/16 x 1-1/4 (4N)	2		650492	CS 3/8 x 2-1/2 (LN)	1
14	U10014B	Extension Spring	2	29	066376	SMV Emblem Bracket	1
15	H8334	Bearing Retainer	2		650486	CS 5/16 x 3/4 (N,L)	2
	650704	CB 3/8 x 1 (N,L)	6	30	047269	Mounting Socket	1
16	066181	Bearing Spacer	2		650949	THMS 5/16 x 3/4 (N,L)	2

RB1460 - TOTAL DENSITY CONTROL



RB1460 TOTAL - DENSITY CONTROL

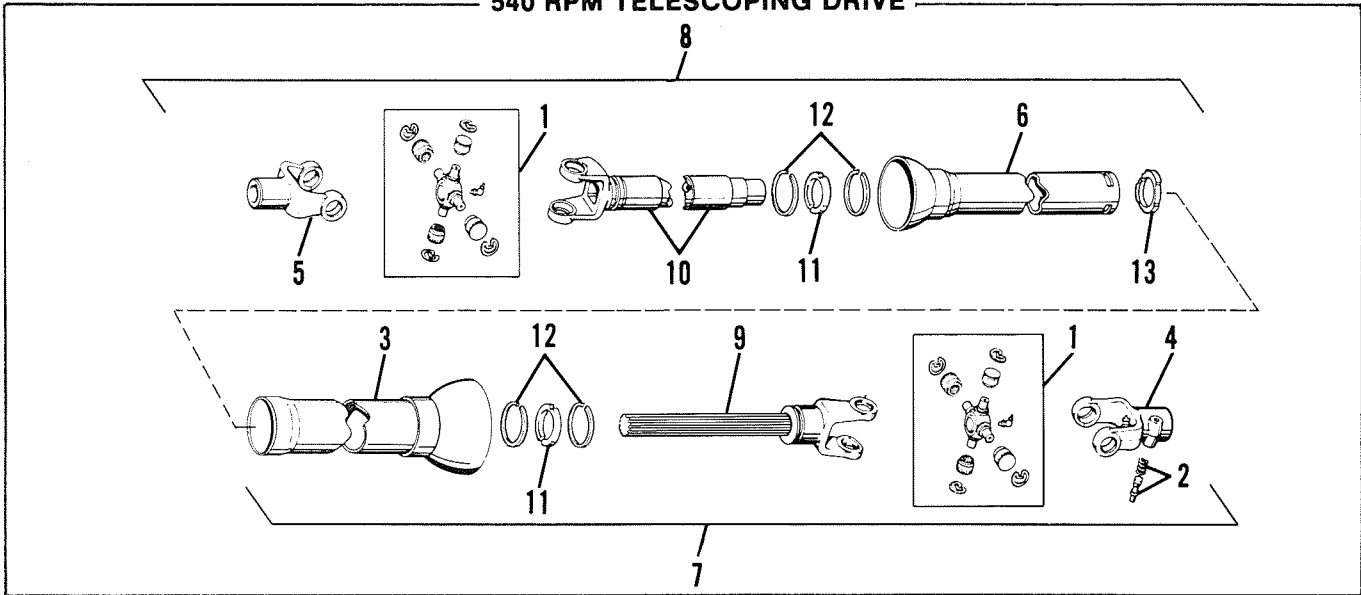
REF. NO.	PART NO.	PART NAME	NO. REQ.	REF. NO.	PART NO.	PART NAME	NO. REQ.
01	070630	PRESSURE GAUGE.....	1	36	070625	HOSE 46".....	1
02	070627	90 FEMALE ELBOW.....	1	37	071938	HYDRAULIC TUBE.....	1
03	070626	HOSE 22".....	1	38	058613	HOSE 33".....	1
04	059453	CLAMP.....	1	39	064669	STRAIGHT UNION TEE.....	1
	650528	CS 3/8X2 (LN).....	1	40	070620	HOSE 34".....	1
05	072171	SPACER.....	1	41	070788	MANIFOLD BRACKET.....	1
06	072172	SPACER.....	1		650733	CS 5/16X2-1/2 (N,L).....	2
07	9H 240	CAP SCREW GR.2 1/2X1.....	2		650704	CS 3/8X1 (N,L).....	2
	570019	GREASE FITTING.....	2	42	540020	RETAINING RING.....	2
		(2) 1/2 L		43	070789	VALVE SPOOL.....	1
08	065663	WASHER.....	2	44	H 267A	WASHER.....	2
09	072168	TRIP ARM.....	1	45	059424	O-RING.....	2
10	074792	CYLINDER STRAP (USED AFTER	1	46	076552	MANIFOLD.....	1
		SN13522)		47	071741	STOP BRACKET.....	1
	650704	CB 3/8X1 (N,L).....	2		650492	CS 3/8X2-1/2 (2N).....	2
11	061529	WASHER.....	4	48	071739	VALVE TRIP.....	1
12	053342	OIL SEAL.....	4		650491	CS 3/8X1-1/4 (2N).....	1
13	051250	NEEDLE BEARING.....	2	49	U 10014B	EXTENSION SPRING.....	1
14	070758	SPROCKET(16T).....	2	50	076551	MANIFOLD-ASSEMBLED.....	1
15	077948	TIE ROD CYLINDER.....	2		650535	CS 3/8X2-1/4 (LN).....	1
		3X25 - ASSEMBLED (USED		51	070633B	CARTRIDGE VALVE.....	1
		AFTER SN13522)		52	070777	300 PSI GAUGE.....	1
	071945A	WELDED CYLINDER.....	2	53	651022	PIPE NIPPLE 1/4 X 4".....	1
		3X25 - ASSEMBLED (USED		54	076788	1/4 FEMALE UNION.....	1
		BEFORE SN13523)		55	067458	90 MALE ELBOW.....	1
16	070765	PIN.....	2	56	070619	90 MALE ELBOW.....	1
17	070779	ACCUMULATOR STRAP.....	2	57	056081	FEMALE QUICK-DISCONNECT...	1
18	056773	HOSE CLAMP (SIX USED.....	5	58	056080	MALE QUICK-DISCONNECT.....	1
		BEFORE SN13523)		59	070768	CYLINDER STRAP (USED.....	1
	650488	CS 3/8X3/4 (N,L).....	2			BEFORE SN13523)	
19	B 11343	WASHER.....	2	60	071156	SPACER (USED BEFORE.....	1
	650704	CB 3/8X1 (N,L,P).....	1			SN13523)	
	650773	CB 3/8X1-1/2 (N,L,3P)....	1	61	070767	SUPPORT ANGLE (USED BEFORE	1
20	070612	TANK VALVE.....	1			SN13523)	
21	070644	SLEEVE.....	2		652053	CB 3/8X2 (N,L,2P).....	1
22	070610	MALE 90 UNION.....	2	62	071415	VAC RELIEF FITTING.....	1
23	055896	O-RING.....	2	63	074779	ANCHOR CAP.....	1
24	070775	90 ELBOW.....	1	64	077950	SERVICE KIT.....	1
25	070638	RELIEF VALVE 250 PSI.....	1	65	064331	3/4 LN.....	1
26	070752	O-RING.....	1	66	077949	PISTON.....	1
27	070609	ADAPTER.....	1	67	074784	TDC TUBE.....	1
28	071940	OIL LEVEL TUBE.....	1	68	074785	TIE ROD.....	4
29	076554	RESERVOIR.....	1			(4) 1/2LN	
		(INCLUDES 071588 MAGNET)		69	077952	ROD CAP.....	1
30	B 11162B	WASHER.....	5	70	074775	TDC CYLINDER ROD.....	1
31	042598	90 SWIVEL ADAPTER UNION...	1				
32	070778	ANGLE.....	1				
33	074793	SUPPORT ANGLE (USED AFTER.	1				
		SN13522)					
34	070757	SPACER.....	2				
	650710	CS 5/8X2-1/4 (N,L,4P)....	2				
35	070631	HOSE 15".....	1				

A FOR SEAL KIT, ORDER 071723.

B FOR SEAL KIT, ORDER 072855. FOR SERVICE, ORDER KIT 076699 WHICH INCLUDES STEEL BALL & INSTRUCTIONS.

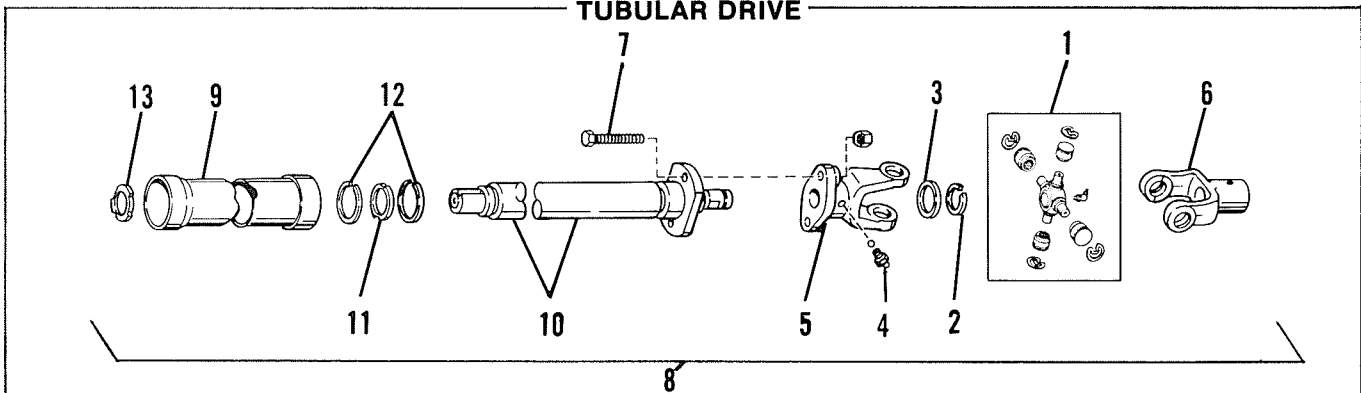
RB1460 - UNIVERSAL DRIVES

540 RPM TELESCOPING DRIVE



Ref. No.	Part No.	Part Name	No. Req.	Ref. No.	Part No.	Part Name	No. Req.
1	045327	Center Cross Kit	2	8	061125	Universal Joint w/ Spline Tube - Assembled	1
	570014	Grease Fitting	2				
2	053865	Lockpin & Spring	1	9	061126	Yoke w/ Spline Shaft	1
3	055354	Female Guard	1	10	061127	Yoke w/ Spline Tube	1
4	055355	Tractor Yoke (6 Spline)	1	11	510023	Nylon Bearing	1
5	055356	Yoke (1-5/16 Bore)	1	12	510100	Bearing Retainer	4
6	055358	Male Guard	1	13	510215	Nylon Centralizer	1
7	061124	Universal Joint w/ Spline Shaft - Assembled	1				

TUBULAR DRIVE

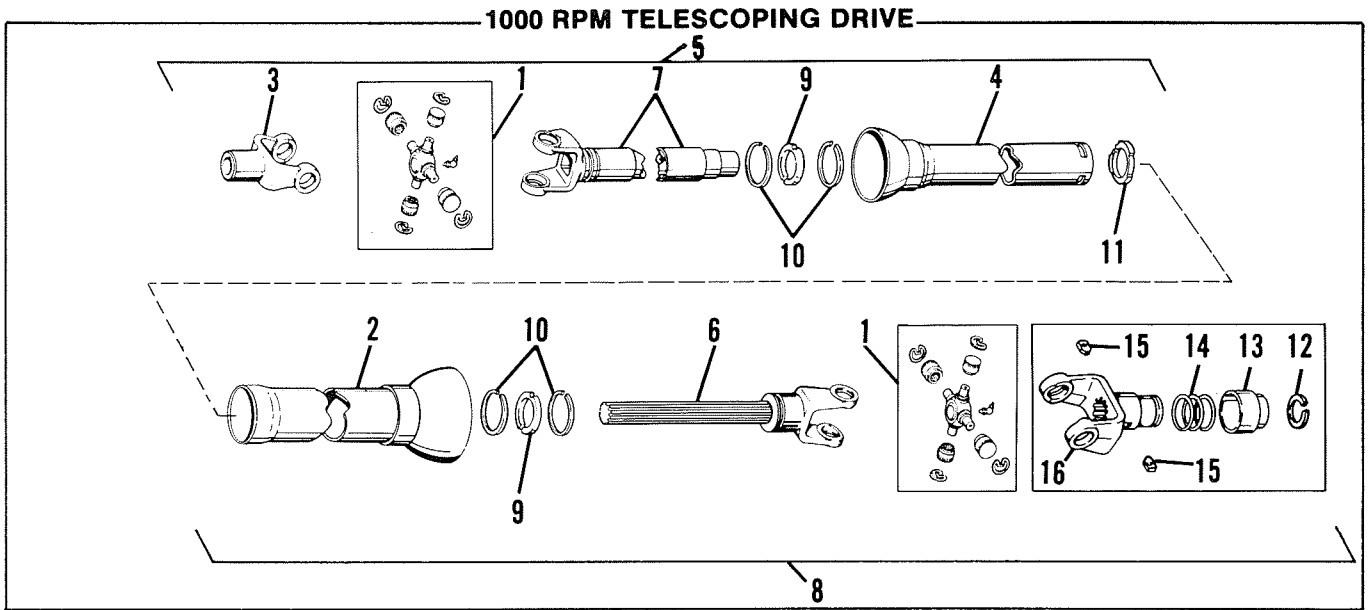


Ref. No.	Part No.	Part Name	No. Req.	Ref. No.	Part No.	Part Name	No. Req.
1	045327	Center Cross Kit	2	8	066284	Tubular Drive - Assembled	1
	570014	Grease Fitting	2	9	066554	Guard Tube	1
2	045882	Retaining Ring	1	10	066555	Drive Shaft	1
3	045883	Washer	1	11	510023	Nylon Bearing	2
4	059579	Lube Fitting & Ball	1	12	510100	Bearing Retainer	2
5	059580	Shear Yoke	1	13	510215	Centralizer Bearing	1
6	059581	Yoke	1				
7	061700A	Shear Bolt 5/16 x 1-3/4 Grade 2... (540 RPM)	1				
	066285B	Shear Bolt 5/16 x 1-1/2 Grade 2... (1000 RPM)	1				

(1) 5/16 LN

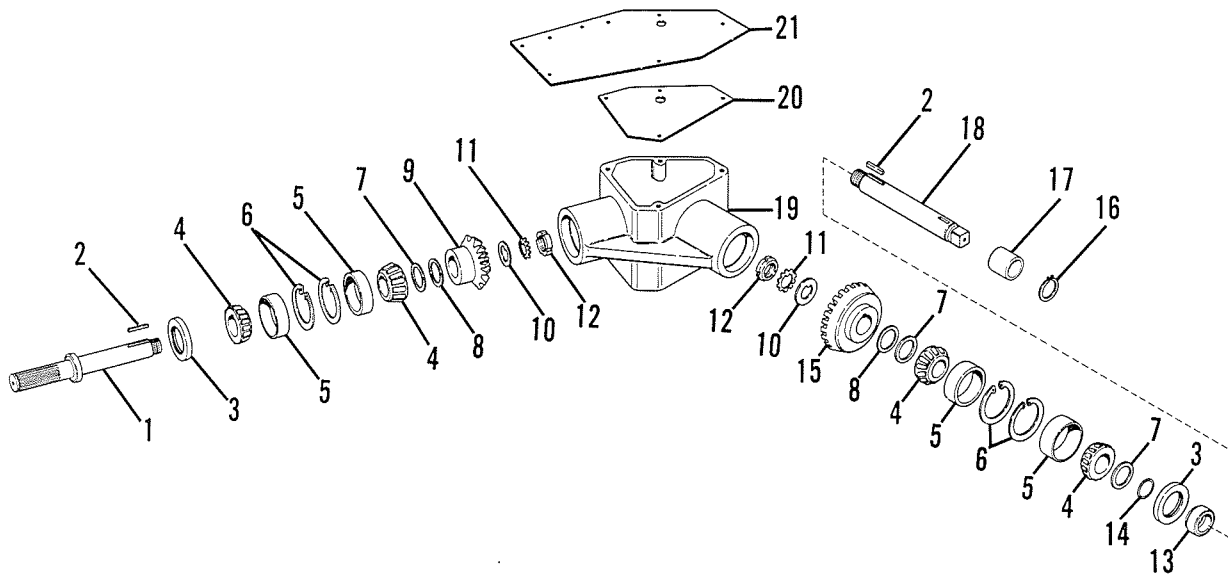
A For replacement 540 RPM Shear Bolts, order Kit 900015 (containing 8 Bolts).

B For replacement 1000 RPM Shear Bolts, order Kit 902261 (containing 8 Bolts).



Ref. No.	Part No.	Part Name	No. Req.	Ref. No.	Part No.	Part Name	No. Req.
1	045327	Center Cross Kit	2	9	510023	Nylon Bearing	2
	570014	Grease Fitting	2	10	510100	Bearing Retainer	4
2	055354	Female Guard	1	11	510215	Nylon Centralizer	1
3	055356	Yoke - (1-5/16 Bore)	1	12	510226	Retaining Ring	1
4	055358	Male Guard	1	13	510227	Collar	1
5	061125	Universal Joint w/Spline Tube - Assembled	1	14	510228	Spring	1
6	061126	Yoke w/ Spline Shaft	1	15	510229	Pawl	2
7	061127	Yoke w/ Spline Tube	1	16	510233	Slide Lock Yoke	1
8	067173	Universal Joint w/Spline Shaft - Assembled	1				

RB1460 - TRANSMISSION



Ref. No.	Part No.	Part Name	No. Req.	Ref. No.	Part No.	Part Name	No. Req.
	076106	Transmission - Assembled	1	13	059562	Hub	1
		Consists of:		14	059563	O-Ring	1
1	059569	Drive Shaft	1	15	066252	Transmission Gear (24T)	1
2	059566	Key 3/8 Sq. x 1-1/2	2	16	054161	Snap Ring	1
3	059572	Oil Seal	2	17	076107	Disposable Shipping Spacer	1
4	059565	Bearing Cone	4	18	065728	Drive Shaft	1
5	059564	Bearing Cup	4	19	059554	Transmission Housing	1
6	059567	Internal Snap Ring	4		660004	1/2 Pipe Plug	1
7	060516	Shim Washer (0.036)	As Req'd	20	059574	Transmission Gasket	1
8	060515	Shim Washer (0.015)	As Req'd	21	065729	Transmission Cover (for 1860)	1
9	066253	Transmission Gear (15T)	1		066254	Transmission Cover (for 1460)	1
10	065731	Tongued Washer	2		570016	Relief Fitting	1
11	065730	Lock Washer	2		650486	CS 5/16 x 3/4 (L)	4
12	520000	Lock Nut	2				

**071117
Hitchjack - Assembled
(Later Style)**

Ref. No.	Part No.	Part Name	No. Req.
	071117	Hitchjack - Assembled	1
		(Later Style)	
		Consists of:	
1	076867	Inside Tube	1
2	076866	Crank	1
3	076868	Outside Tube	1
4	061276	Pin & Chain	1

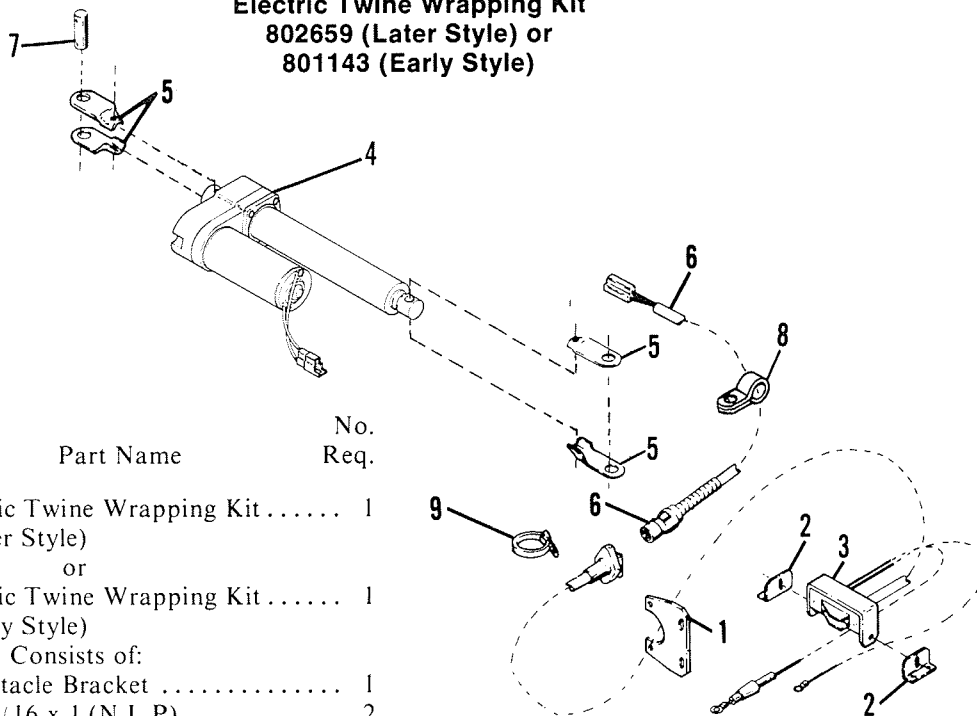
**071117
Hitchjack - Assembled
(Early Style)**

Ref. No.	Part No.	Part Name	No. Req.
	071117	Hitchjack - Assembled	1
		Consists of:	
1	061276	Pin & Chain	1
2	061341	Inside Tube	1
3	061342	Outside Tube	1
4	055682	Crank Assembly	1
5	071271	Jack Repair Kit	1
		(Includes a Crank Pin, Pushnut, Thrust Washer, Ball & Cage Bearing, Felt Spacer and a Support Washer)	

IMPORTANT: Order by Part Number - DO NOT use Illustration Reference Numbers.

RB1460 - OPTIONS & ACCESSORIES

Electric Twine Wrapping Kit 802659 (Later Style) or 801143 (Early Style)

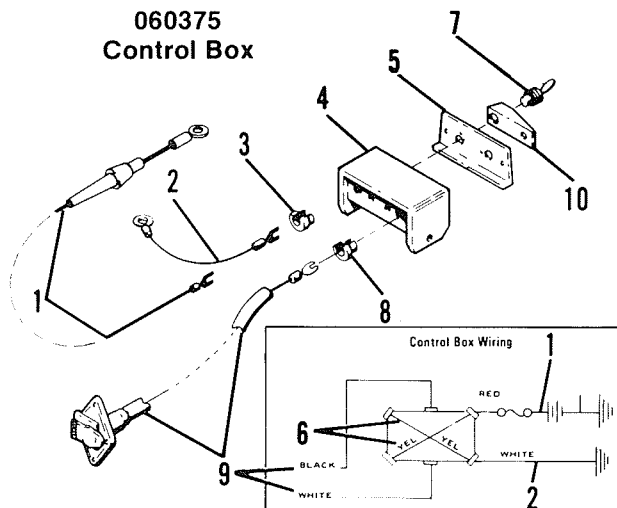


Ref. No.	Part No.	Part Name	No. Req.
	802659	Electric Twine Wrapping Kit	1
		(Later Style)	
		or	
	801143A	Electric Twine Wrapping Kit	1
		(Early Style)	
		Consists of:	
1	059052	Receptacle Bracket	1
	650487	CS 5/16 x 1 (N,L,P)	2
2	059053	Mounting Bracket	2
	650448	CS 1/4 x 3/4 (N,L)	4
3	060375A	Control Box - Assembled	1
	650260	THMS 1/4 x 1/2 (N,L)	2
4	077093A	Actuator - Assembled	1
		(Later Style)	
		or	
	061058A-B	Actuator - Assembled	1
		(Early Style)	
5	061059	Yoke Clip	4
	650585	CS 1/2 x 2 (LN)	2

Ref. No.	Part No.	Part Name	No. Req.
6	061060	Power Cable	1
	650448	CS 1/4 x 3/4 (N,L)	2
7	061061	Cylinder Pin	1
	655024	Cotter Pin 3/16 x 2	2
8	061062	Wire Clamp	5
	650490	CS 3/8 x 1 (LN,P)	3
9	063592	Wire Wrap	1

A For repair, see separate breakdown.
B For complete unit replacement, order Later Style Actuator 077093.

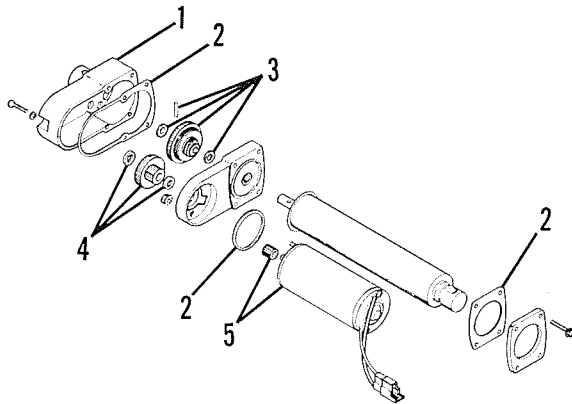
060375 Control Box



Ref. No.	Part No.	Part Name	No. Req.
1	057778	Power Cord	1
2	057779	Ground Cable	1
3	057781	Bushing	1
4	059055A	Box	1
	650702	RHSMS #6 x 3/8	2
5	059059	Switch Plate	1
	650261	THMS 1/4 x 1/2 (N,L,3P)	1
6	059064	Cable (Yellow)	1
7	059299	Toggle Switch	1
8	059321	Strain Relief Bushing	1
9	060376	Tractor Cable	1
10	060972	Toggle Guard	1

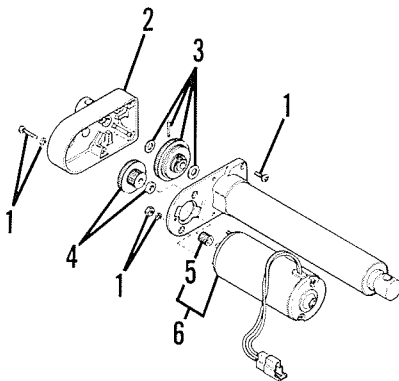
A For replacement, order Box 069255, Backplate 069257 & Two RHSMS 650702.

**077093
Electric Actuator
(Later Style)**



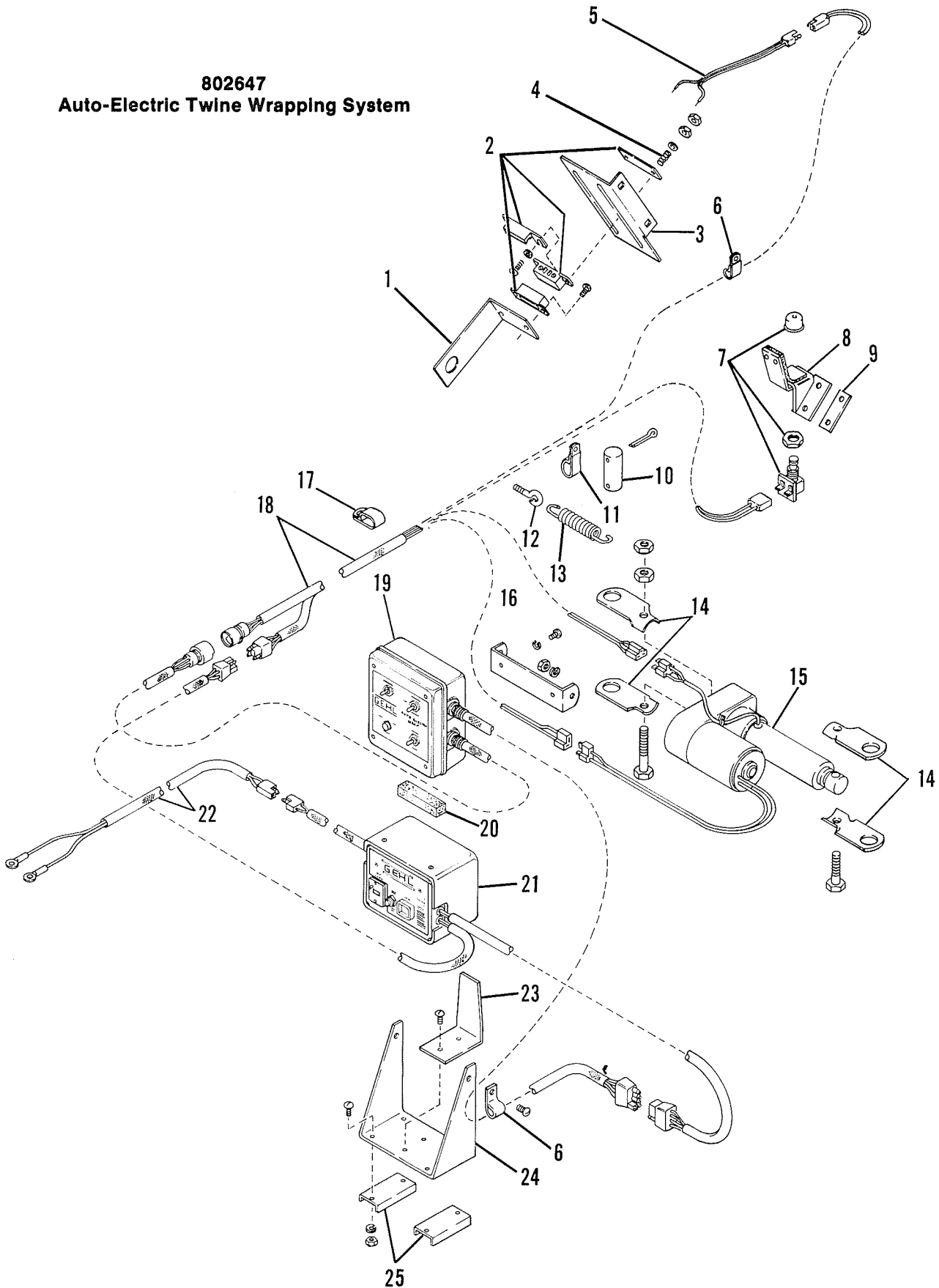
Ref. No.	Part No.	Part Name	No. Req.
	077093	Electric Actuator	1
		Consists of:	
1	077098	Rear Housing	1
2	077097	Seal Kit	1
		Including (1) Cover Tube Gasket, O-ring & Lip Seal, Motor Seal & Gasket (between Housings)	
3	077096	Clutch	1
		Including (2) Washers & (1) Pin	
4	077095	Intermediate Gear	1
		Including (2) Washers	
5	077094	Motor with Pinion	1

**061058
Electric Actuator
(Early Style)**



Ref. No.	Part No.	Part Name	No. Req.
	061058	Electric Actuator - Assembled	1
		Consists of:	
1	071101	Screw Package	1
		Including (6) 3/16 x 5/8 THMS, (1) 3/16 x 1 THMS & (2) L	
2	071100	Rear Housing	1
3	071099	Clutch Assembly	1
		Including (1) 72T Gear, (1) Pin & (2) Shim Washers	
4	071103	Idler Gear	1
5	071102	Pinion Gear	1
6	071104	Motor & Pinion	1

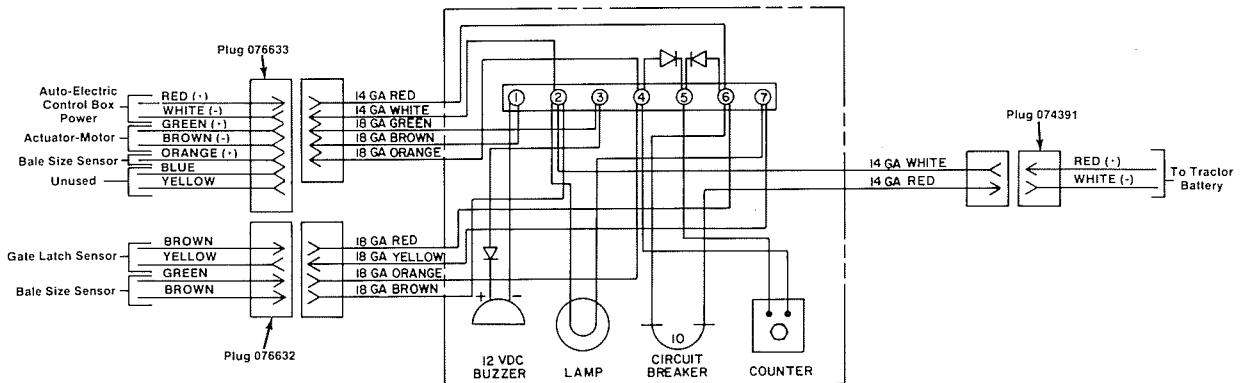
802647
Auto-Electric Twine Wrapping System



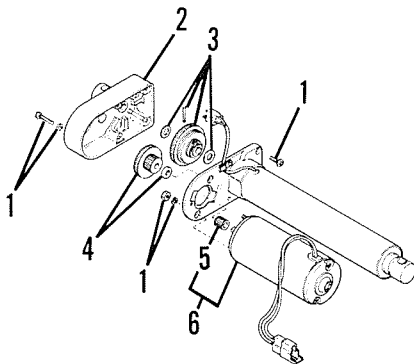
RB1460 - OPTIONS & ACCESSORIES

Ref. No.	Part No.	Part Name	No. Req.	Ref. No.	Part No.	Part Name	No. Req.
802647		Auto-Electric Twine Wrapping System.....	1	14	076661	Yoke Clip	4
		Consists of:			650585	CS 1/2 x 2 (LN).....	1
					650850	CS 1/2 x 2-3/4 (LN).....	2
1	076671	Magnet Mount.....	1	15	076634A	Automatic Actuator	1
	650394	RHMS #6-32 x 1/2 (N,L,P).....	2	16	076635	Control Box Bracket.....	1
2	074428	Magnetic Switch Assembly	1		650936	RHMS #8-32 x 1/2 (L).....	2
	651034	RHMS #6-32 x 1-1/4 (N,P).....	4	17	067880	Hose Clamp	1
3	076669	Magnetic Switch Mount.....	1	18	076633	Control Box Extension Cable	1
	650949	THMS 5/16 x 3/4 (N,L)	2	19	076632	Control Box	1
4	U10023	Spring	2	20	076638	Foam Pad.....	1
5	076670	Switch Plug	1	21	076639A	Indicator (Horn) Box - Assembled	1
6	058615	Hose Clamp	2	22	074391	Tractor Power Cable.....	1
7	076668	Plunger Switch.....	1	23	076637	Strap	1
8	076662	Switch Mount	1		650548	RHMS #10-24 x 1/2 (N,L).....	2
	650486	CS 5/16 x 3/4 (N,L)	2	24	076636	Mounting Bracket	1
9	052588	Plunger Switch Shim	1		650943	THMS 1/4 x 1/2 (N,L)	2
10	061061	Cylinder Pin	1	25	067040	Magnet	2
	655024	Cotter Pin 3/16 x 2	2		650548	RHMS #10-24 x 1/2 (N,L).....	4
11	059075	Hose Clamp	2				
12	061858	Eyebolt	1				
	(2) 5/16 N						
13	071999	Extension Spring.....	1				

A For components, see separate Breakdown.



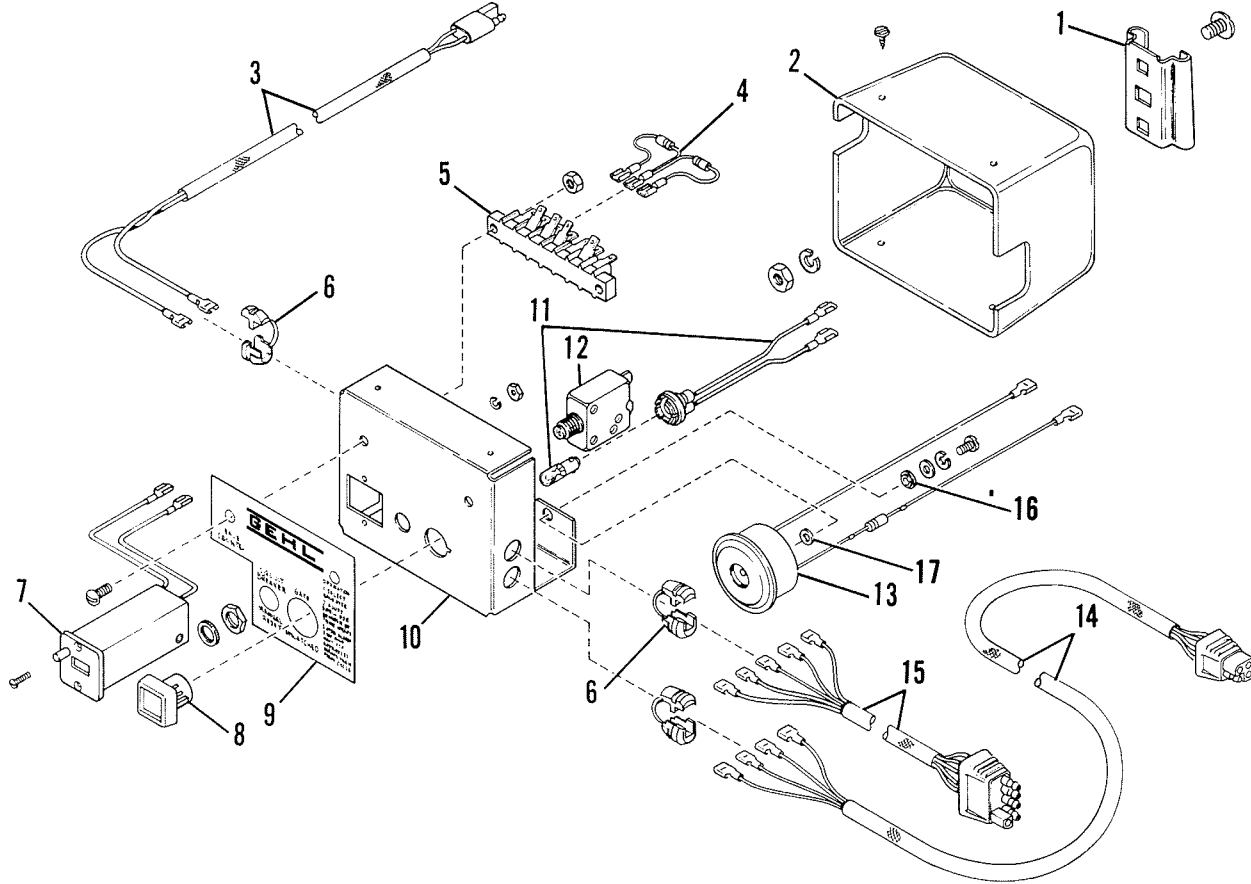
076634 Auto-Electric Actuator



Ref. No.	Part No.	Part Name	No. Req.
	076634	Auto-Electric Actuator	1
		Consists of:	
1	071101	Screw Package	1
		Including (6) 3/16 x 5/8 THMS, (1) 3/16 x 1 THMS & (2) L	
2	071100	Rear Housing.....	1
3	071099	Clutch Assembly	1
		Including (1) 72T Gear, (1) Pin & (2) Shim Washers	
4	071103	Idler Gear	1
5	071102	Pinion Gear	1
6	076594	Motor & Pinion.....	1

RB1460 - OPTIONS & ACCESSORIES

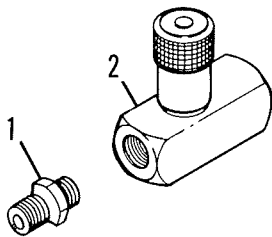
076639 Horn & Indicator Control Box - Assembled



Ref. No.	Part No.	Part Name	No. Req.	Ref. No.	Part No.	Part Name	No. Req.
	076639	Control Box - Assembled	1	8	076649	Lens	1
		Consists of:		9	076645	Panel Decal	1
1	047269	SMV Mounting	1	10	076640	Box Cover	1
	650947	THMS 5/16 x 1/2 (N,L)	2	11	076650A	Light	1
2	074584	Box	1	12	076652	Circuit Breaker	1
	650289	#8 Tapping Screw	4	13	076653	Horn	1
3	076643	Power Cable	1	14	076641	Electric Cable	1
4	076658	Rectifier	1	15	076642	Electric Cable	1
5	076644	Terminal Block	1	16	076655	Shoulder Washer	1
	650386	RHMS #8-32 x 1 (N,L)	2	17	076656	Nylon Washer	1
6	057781	5K-4 Bushing	3				
7	076646	Bale Counter	1				

A For replacement Bulb, order 073696 (type 1891) Bulb.

802746 Flow Control Valve Kit



Ref. No.	Part No.	Part Name	No. Req.
	802746	Flow Control Valve Kit	1
		Consists of:	
1	062910	Nipple - 1/2 NPTF	1
2	076592	Flow Control Valve	1

RB1450 - OPTIONS & ACCESSORIES

802423
Audible Bale Size Indicator Kit

Ref. No.	Part No.	Part Name	No. Req.
	802423	Audible Bale Size Indicator Kit	1
Consists of:			
1	074428	Switch & Magnet Assemblies	1
	650327	RHMS #6-32 x 3/4 (8N,P)	4
2	074422	Switch Mount	1
	650486	CS 5/16 x 3/4	1
3	074419	Magnet Base	1
	650491	CS 3/8 x 1-1/4 (N,L,P)	2
4	058615	Clamp	3
5	074429	2-Pole Connector w/ 300" of #8 AWG Wire	1
6	074426A	Audible Bale Size Indicator	1

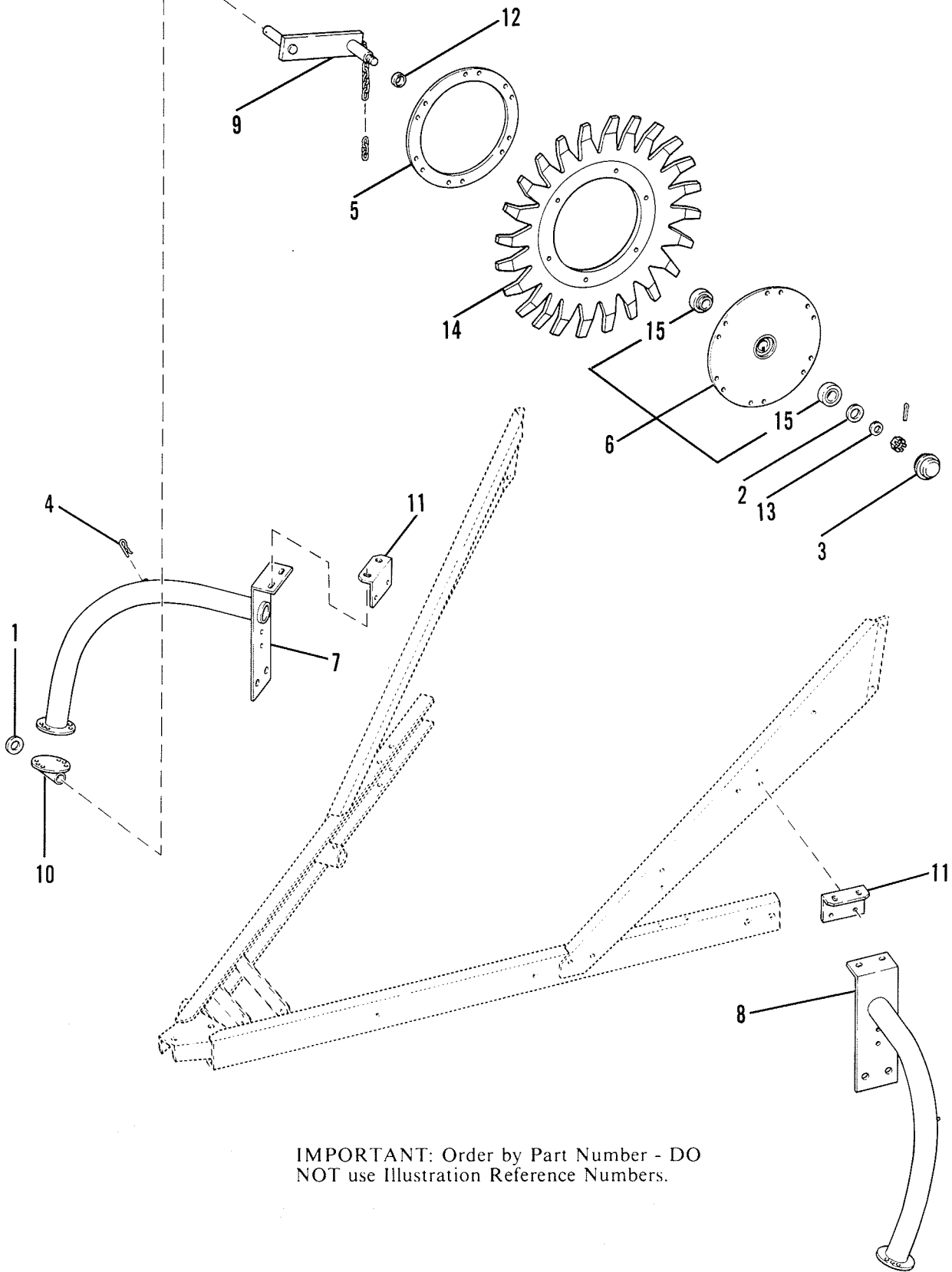
A Powered by one 9-volt D.C. Alkaline Transistor Radio-type Battery (Purchased Locally).

IMPORTANT: Order by Part Number - DO NOT use Illustration Reference Numbers.

076839
Center Drive Scraper Kit

Ref. No.	Part No.	Part Name	No. Req.
	076839	Center Drive Scraper Kit	1
Consists of:			
1	074750	Spacer	2
2	074746	Center Drive Scraper	1
	650786	CB 3/8 x 1-1/4 (N,L,P)	4

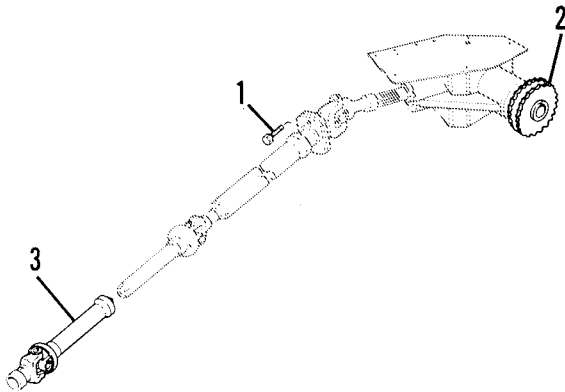
802232
Crowder Wheel Kit



IMPORTANT: Order by Part Number - DO NOT use Illustration Reference Numbers.

Ref. No.	Part No.	Part Name	No. Req.	Ref. No.	Part No.	Part Name	No. Req.
	802232	Crowder Wheel Kit	1	9	072651	Arm Pivot.....	2
		Consists of:			655018	Cotter Pin 3/16 x 1-1/4	2
1	D932A	Washer	2		655022	Cotter Pin 3/16 x 1-3/4	2
2	B11162B	Washer	2		(2) 3/4 NF SN		
3	064415	Dust Cap	2	10	072655	Pivot Tube	2
4	071858	Hairpin Cotter Pin	2		570014	Grease Fitting	2
5	072627	Rubber Wheel Backup	2		650490	CS 3/8 x 1 (N,L)	4
6	072641	Wheel Hub - Assembled	2	11	072658	Support Bracket	2
	650692	CS 5/16 x 1-3/4 (LN)	12		650490	CS 3/8 x 1 (N,L)	4
7	072645	Right Wheel Support	1	12	072659	Spacer	2
	650491	CS 3/8 x 1-1/4 (N,L,4P)	2	13	072660	Spring Washer	2
8	072650	Left Wheel Support.....	1	14	073234	Crowder Wheel	2
	650491	CS 3/8 x 1-1/4 (N,L,4P)	2	15	520064	Ball Bearing	4

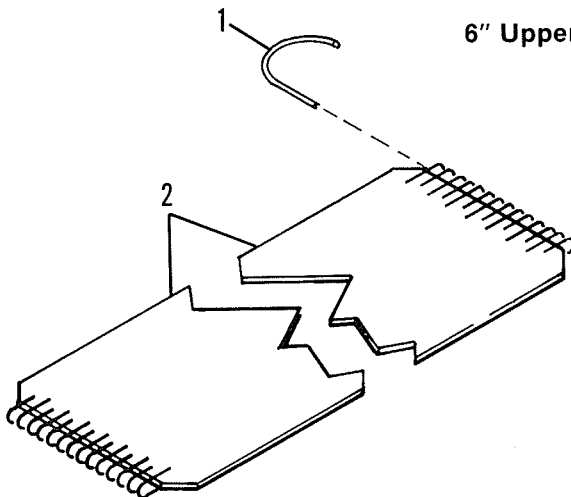
**801552
1000 RPM Conversion Kit**



Ref. No.	Part No.	Part Name	No. Req.
	801552	1000 RPM Conversion Kit.....	1
		Consists of:	
1	066285A	Shear Bolt 5/16 x 1-1/2 Grade 2... (1) 5/16 LN	1
2	067170	Double Sprocket (14/14T)	1
3	067173A-B	Universal Joint w/Spline Shaft - Assembled	1

A For replacement Shear Bolts, order Kit 902261 (containing 8 Bolts).
B For service, see pages titled Universal Drives.

**076765
6" Upper Belt Dutchman Kit**



Ref. No.	Part No.	Part Name	No. Req.
	076765	6" Upper Belt Dutchman Kit.....	1
		Consists of:	
1	059803	6" Belt Pin	1
2	076631	6" Dutchman Belt	1

RB1460 - OPTIONS & ACCESSORIES

**802700
Re-lacing Kit**

Ref. No.	Part No.	Part Name	No. Req.
	802700	Re-lacing Kit	1
Consists of:			
1	058398	#4-1/2 Clipper Hook Card	6
2	076764	Vice Lacer.....	1
3	060345	Cable - 72"	1

**073390
Lacing Kit**

Ref. No.	Part No.	Part Name	No. Req.
	073390	Lacing Kit	1
Consists of:			
1	058398	#4-1/2 Clipper Hook.....	6
2	060345	Cable - 72"	1

IMPORTANT: Order by Part Number - DO NOT use Illustration Reference Numbers.

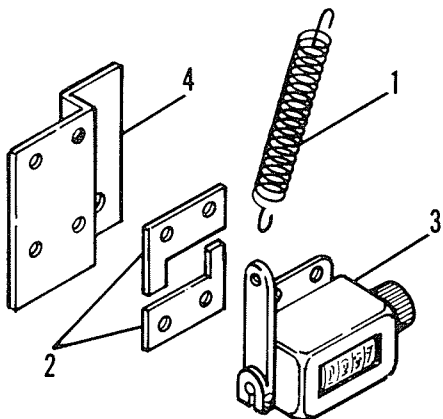
**075961
Packing Roller Scraper**

Ref. No.	Part No.	Part Name	No. Req.
	075961	Packing Roller Scraper.....	1
Consists of:			
1	074744	Cam.....	2
	650453	CS 1/2 x 1-1/2 (L)	2
2	075960	Packing Roller Scraper.....	1

**068633
Packing Roller Lagging Kit**

Ref. No.	Part No.	Part Name	No. Req.
	068633	Packing Roller Lagging Kit	1
Consists of:			
1	068846	Rivet	36
2	068847	Lagging	2
3	068848	Strip Cover	4
4	068849	Drill Bit - 13/64 Dia.	1

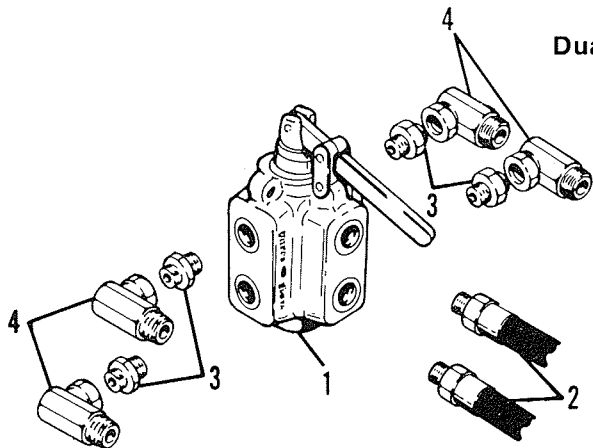
**801782
Bale Counter Kit**



Ref. No.	Part No.	Part Name	No. Req.
	801782	Bale Counter Kit	1
Consists of:			
1	17H387	Spring	1
	650426	CS 1 4 x 1-1 4 (N)	1
	650618A	STS 5 16 x 5 8	1
2	066764	Bracket	2
	650618	STS 5 16 x 5 8	4
3	066765	Counter	1
4	068210A	Counter Base	1

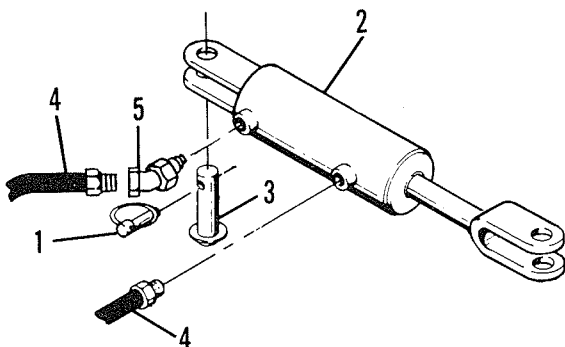
A **NOT** used on RB1460 Baler.

**801087
Dual Hydraulics Kit**



Ref. No.	Part No.	Part Name	No. Req.
	801087	Dual Hydraulics Kit	1
Consists of:			
1	060597	Double Selector Valve	1
	650818	CS 3 8 x 2 (N,L)	2
2	060598	Hose	2
3	060599	Nipple - 3 4 Hexagon	4
4	060600	Union	4

**801611
Hydraulic Twine Wrapping Kit**



Ref. No.	Part No.	Part Name	No. Req.
1	060471	Klick Pin	1
2	060626A	Hydraulic Cylinder	1
3	060629	Pin	1
4	066428B	Hose	2
5	580055	45° Union Fitting	1

A To order Cylinder Seal Kit, specify Part #060627.

B To order Hoses (less Pin & Klick Pin without Hydraulic Cylinder) order Part #801612.

RB1460 - NUMERICAL INDEX

Part No.	Page No.	Ref. No.	Part No.	Page No.	Ref. No.	Part No.	Page No.	Ref. No.	Part No.	Page No.	Ref. No.
6H130	23	11	041881	11	32	056081	25	60	059567	28	6
C133	9	10	042135	11	41	056145	9	7	059569	28	1
17H140	13	8	042158	17	43	056211	8	8	059572	28	3
9H240	17	46	042598	25	31	056249	11	33	059574	28	20
9H240	25	7	044116	5	4	056336	15	30	059579	26	4
H267A	9	22	044116	8	30	056345	17	33	059580	26	5
H267A	25	47	045327	26	1	056378	5	35	059581	26	6
17H281	11	53	045327	27	1	056773	25	18	059650	19	31
9H300	7	25	045582	7	9	057122	5	36	059692	5	45
9H300	9	13	045882	26	2	057179	15	18	059692	8	25
9H300	13	18	045883	26	3	057179	19	13	059708	13	21
9H300	15	7	045998	7	2	057185	12	16	059720	15	9
17H349	17	7	046000	7	5	057350	17	32	059721	5	6
17H361	17	31	046001	7	11	057351	17	34	059721	11	50
17H387	39	1	046754	8	16	057422	13	26	059721	13	24
H487	23	2	047269	23	30	057512	11	19	059754	8	12
D932A	8	7	047269	34	1	057617	17	17	059756	8	15
D932A	37	1	048459	17	13	057778	30	1	059757	8	14
H6054B	5	34	049038	8	38	057779	30	2	059765	8	3
H6094	8	1				057781	30	3	059766	8	4
H6094	11	45	050000			057781	34	6	059799	5	3
H6094	21	1	051250	25	13	057781	34	6	059799	5	3
H6172	8	21	051520	17	59	057911	7	7	059803	19	
H7125	11	35	051525	15	17	057919	13	12	059803	37	1
H7165	9	18	051525	19	12	057920	13	13	060000		
H7165	15	16	051916	20	22	057920	13	13	060295	8	2
H7165	9	18	051916	20	22	057965	19	18	060345	19	
H7165	15	16	052205	17	30	057980	15	11	060345	38	2
H7812	17	11	052588	5	43	058326	5	9	060345	30	3
H8054	8	9	052588	33	9	058357	17	9	060375	30	3
H8330	13	17	052595	15	29	058398	38	1	060376	30	9
H8334	11	13	053342	17	58	058421	7	12	060387	5	24
H8334	15	2	053342	25	12	058489	17	3	060471	39	1
H8334	19	2	053688	11	5	058539	9	20	060515	28	8
H8334	23	15	053865	26	2	058613	25	41	060516	28	7
H8354	11	16	053900	9	3	058615	33	6	060597	39	1
U10014B	11	52	054161	28	16	058615	35	4	060598	39	2
U10014B	23	14	054353	17	50	058807	11	22	060599	39	3
U10014B	25	52	054586	5	20	059052	30	1	060600	39	4
U10023	33	4	054959	5	2	059053	30	2	060626	39	2
U10063	9	4	055142	15	10	059055	30	4	060627	39	
B11069	5	7	055354	26	3	059055	30	4	060627	39	
B11069	13	23	055354	27	2	059059	30	5	060629	39	3
B11090	20	26	055355	26	4	059064	30	6	060972	30	10
B1162B	17	1	055356	26	5	059075	33	11	060979	8	19
B1162B	25	62	055356	27	3	059113	21	2	061006	8	18
B1162B	37	2	055358	26	6	059272	8	34	061058	30	4
B11343	25	19	055358	27	4	059299	30	7	061058	31	
B11433A	15	24	055447	17	47	059321	30	8	061059	30	5
M12361	13	25	055682	29	4	059424	25	48	061060	30	6
R13216	20	11	055690	8	37	059453	25	4	061061	30	7
C14121	17	48	055691	8	36	059554	28	19	061061	33	10
S16215	19	25	055692	8	35	059562	28	13	061062	30	8
			055896	25	23	059563	28	14	061124	8	6
040000			055903	17		059564	28	5	061124	26	7
041499	20	6	056080	25	61	059565	28	4	061125	8	5
041499	23	20				059566	28	2	061125	26	8

RB1460 - NUMERICAL INDEX

Part No.	Page No.	Ref. No.	Part No.	Page No.	Ref. No.	Part No.	Page No.	Ref. No.	Part No.	Page No.	Ref. No.
061125	27	5	066254	28	21	066555	26	10	070752	25	26
061126	26	9	066260	21	3	066651	7	1	070754	5	42
061126	27	6	066280	8	24	066764	39	2	070757	25	35
061127	26	10	066284	8	22	066765	39	3	070758	17	60
061127	27	7	066284	26	8	067040	33	25	070758	25	14
061276	29	1	066285	26	7	067166	8	27	070765	25	16
061341	29	2	066285	37	1	067170	37	2	070767	25	34
061342	29	3	066309	15	5	067173	27	8	070768	25	10
061501	12	18	066309	19	5	067173	37	3	070775	25	24
061509	15	19	066309	23	17	067458	25	58	070777	25	55
061509	19	14	066250	23	4	067491	21	17	070778	25	32
061529	17	49	066351	23	5	067516	11	6	070779	25	17
061529	25	11	066352	23	25	067880	21	18	070788	25	44
061700	8	23	066363	23	9	067880	33	17	070789	25	46
061700	26	7	066364	23	28	068210	39	4	070791	12	12
061708	13	19	066365	23	10	068633	38		070795	12	13
061809	20	7	066369	23	12	068846	38	1	070796	12	21
061858	33	12	066375	5	44	068847	38	2	070797	12	8
062342	5	28	066376	23	29	068848	38	3	070798	12	9
062342	20	16	066377	23	7	068849	38	4	070804	12	15
062871	25	30	066378	21	4	069255	30		070868	9	16
062910	34	1	066380	23	6	069257	30		070870	17	19
063586	12	7	066383	21	5	069531	11	24	070877	7	22
063592	30	9	066385	21	6	069789	23	21	070880	7	21
064389	12	11	066392	17	6	069792	17	29	071048	11	39
064415	37	3	066396	8	26	069793	17	28	071099	31	3
064669	25	42	066398	17	35	069794	17	27	071099	33	3
065663	25	8	066428	21	11	069797	12	1	071100	31	2
065674	8	32	066428	39	4	069847	17	24	071100	33	2
065679	9	19	066429	21	12				071101	31	1
065703	9	14	066431	21	13	070000			071101	31	1
065721	8	33	066432	21	14	070323	17	37	071101	33	1
065728	28	18	066446	21	15	070470	23	22	071102	31	5
065729	28	21	066452	21	16	070609	25	27	071102	33	5
065730	28	11	066462	5	10	070610	25	22	071103	31	4
065731	28	10	066467	5	21	070612	25	20	071103	33	4
065811	15	28	066480	11	25	070619	25	59	071104	31	6
066155	15	23	066487	11	31	070620	25	43	071117	7	28
066160	15	20	066487	12	10	070625	25	39	071117	29	
066170	19	29	066489	11	28	070626	25	3	071156	25	33
066173	15	26	066490	11	26	070627	25	2	071271	29	5
066174	15	27	066492	11	37	070630	25	1	071415	25	37
066178	19	7	066511	11	1	070631	25	38	071417	25	36
066181	15	3	066526	11	7	070633	25	54	071520	7	29
066181	19	3	066528	11	10	070636	5	13	071520	8	20
066181	23	16	066531	11	9	070638	25	25	071520	23	18
066182	19	23	066532	11	8	070643	15	22	071558	25	29
066183	19	6	066533	11	15	070644	25	21	071601	11	44
066208	20	14	066537	9	2	070691	13	2	071605	11	30
066221	20	2	066540	9	1	070701	15	15	071606	11	34
066226	20	4	066542	9	6	070702	19	15	071607	11	36
066227	5	32	066544	9	21	070730	15	12	071609	11	42
066252	28	15	066551	21		070736	17	10	071620	11	17
066253	28	9	066554	26	9	070749	17	51	071626	11	23
						070750	23	13	071627	11	2

RB1460 - NUMERICAL INDEX

Part No.	Page No.	Ref. No.	Part No.	Page No.	Ref. No.	Part No.	Page No.	Ref. No.	Part No.	Page No.	Ref. No.
071631	11	20	072651	37	9	075427	13	20	075945	13	16
071635	11	11	072655	37	10	075430	13	22	075960	38	2
071637	11	57	072658	37	11	075440	13	11	075961	38	
071643	11	56	072659	37	12	075447	13	7	076106	8	28
071645	11	46	072660	37	13	075448	21	19	076106	28	
071646	11	55	072855	25		075450	8	29	076107	28	17
071647	11	54	073172	5	41	075458	9	15	076112	21	9
071660	15	25	073234	37	14	075460	11	49	076113	21	10
071723	25		073390	19		075461	13	5	076114	21	7
071739	25	51	073390	38		075464	8	31	076115	21	8
071741	25	50	073696	34		075465	9	23	076416	19	17
071764	19	16	073722	17	18	075467	11	48	076439	17	4
071765	19	24	073846	11	4	075473	5	29	076470	20	23
071767	19	9	074027	17	39	075479	5	38	076477	20	9
071768	15	6	074028	17	38	075482	17	40	076499	17	14
071770	12	5	074391	33	22	075489	17	23	076502	17	5
071858	37	4	074408	15	14	075490	20	21	076504	17	8
071884	9	11	074419	35	3	075494	20	15	076505	17	2
071886	9	12	074422	35	2	075497	5	30	076524	5	46
071938	25	40	074426	35	6	075498	5	39	076528	5	8
071939	11	40	074428	33	2	075499	11	51	076531	5	5
071940	25	28	074428	35	1	075500	20	24	076538	5	1
071942	15	13	074429	35	5	075501	20	25	076540	5	15
071945	25	15	074584	34	2	075502	20	8	076541	5	14
071965	5	31	074667	20	20	075507	9	17	076542	5	27
071967	5	37	074669	20	17	075535	12	6	076543	5	18
071969	11	38	074744	38	1	075541	23	8	076544	5	19
071970	11	43	074746	35	2	075547	23	27	076545	5	25
071972	19	30	074750	35	1	075550	7	16	076546	5	23
071974	19	8	074963	19	21	075552	23	23	076547	5	26
071976	19	28	074964	19	20	075554	23	24	076548	17	52
071978	23	26	074965	19	22	075557	7	17	076549	17	53
071980	12	4	075325	13	10	075567	19	10	076551	25	53
071981	15	8	075331	13	9	075568	19		076552	25	49
071986	15	21	075341	7	20	075641	5	12	076554	25	29
071999	17	42	075383	17	22	075642	5	11	076566	7	15
071999	33	13	075384	17	36	075650	11	47	076568	7	13
072014	11	18	075393	20	3	075651	11	58	076592	34	2
072026	7	18	075395	17	26	075688	13	6	076594	33	6
072027	7	27	075396	20	18	075689	17	12	076595	7	24
072032	7	19	075399	9	8	075691	17	21	076631	19	
072069	17	15	075401	9	9	075694	12	19	076631	37	2
072168	25	9	075402	17	61	075699	12	20	076632	33	19
072171	25	5	075406	17	20	075700	17	55	076633	33	18
072172	25	6	075409	17	54	075701	17	56	076634	33	
072176	20	19	075412	17	16	075702	17	57	076635	33	16
072478	7	26	075413	20	1	075703	5	47	076636	33	24
072554	11	29	075417	17	25	075705	17	45	076637	33	23
072557	11	21	075418	12	17	075729	20	10	076638	33	20
072624	7	10	075419	17	41	075730	17	44	076639	33	21
072627	37	5	075420	12	14	075733	5	33	076639	34	
072641	37	6	075422	13	4	075829	9	5	076640	34	10
072645	37	7	075425	13	1	075937	13	15	076641	34	14
072650	37	8	075426	13	3	075941	13	14	076642	34	15




RB1460 - NUMERICAL INDEX

Part No.	Page No.	Ref. No.	Part No.	Page No.	Ref. No.	Part No.	Page No.	Ref. No.
076643	34	3	520000	28	12	666002	8	13
076644	34	5	520054	7	6	660004	28	19
076645	34	9	520062	12	3		800000	
076646	34	7	520064	37	15	801087	39	
076649	34	8	520065	11	14	801088	39	
076650	34	11	520065	15	4	801143	30	
076652	34	12	520065	19	4	801552	37	
076653	34	13	520065	23	3	801612	39	
076655	34	16	520066	8	17	801782	39	
076656	34	17	520067	19	19	802423	35	
076658	34	4	520084	12	2	802647	33	
076661	33	14	520085	11	12	802659	30	
076662	33	8	520085	15	1	802700	19	
076668	33	7	520085	19	1	802700	38	
076669	33	3	520085	23	1	802746	34	
076670	33	5	520090	19	11		900000	
076671	33	1	520093	19	27	900015	8	
076678	7	14	520093	20	5	900015	26	
076683	5	16	520093	23	19	902261	26	
076684	5	17	520098	20	12	902261	37	
076691	5	22	520099	20	13			
076699	25		520135	8	11			
076732	11	3	520136	8	10			
076764	38	2	520139	5	40			
076765	37		520158	19	26			
076788	25	57	520175	11	27			
076821	7	23	520199	7	4			
076839	35		520200	7	3			
076866	29	2	520201	7	8			
076867	29	1	540020	25	45			
076868	29	3	570002	9	19			
076890	13	22	570002	20	21			
076892	13	26	570003	20	7			
077093	30	4	570005	5	42			
077093	31		570009	11	15			
077094	31	5	570009	23	8			
077095	31	4	570012	20	11			
077096	31	3	570014	26	1			
077097	31	2	570014	27	1			
077098	31	1	570014	37	10			
	500000		570016	8	28			
500160	17	4	570016	28	21			
500161	17	4	570019	13	10			
510023	26	11	570019	17	46			
510023	27	9	570019	19	21			
510100	26	12	570019	23	8			
510100	27	10	570019	23	22			
510215	26	13	570019	25	7			
510215	27	11	570023	20	15			
510226	27	12	580055	39	5			
510227	27	13		600000				
510228	27	14	650702	30				
510229	27	15	651022	25	56			
510233	27	16	655536	8				

NOTES



TORQUE SPECIFICATIONS FOR STANDARD MACHINE HARDWARE

SIZE	SAE GRADE #2 		SAE GRADE #5 		SAE GRADE #8 	
	DRY	LUB.	DRY	LUB.	DRY	LUB.
8 - 32	19 In. Lbs.	14 In. Lbs.	30 In. Lbs.	22 In. Lbs.	41 In. Lbs.	31 In. Lbs.
8 - 36	20 "	15 "	31 "	23 "	43 "	32 "
10 - 24	27 "	21 "	43 "	32 "	60 "	45 "
10 - 32	31 "	23 "	49 "	36 "	68 "	51 "
1/4 - 20	66 "	50 "	9 Ft. Lbs.	75 "	12 Ft. Lbs.	9 Ft. Lbs.
1/4 - 28	76 "	56 "	10 "	86 "	14 "	10 "
5/16 - 18	11 Ft. Lbs.	9 Ft. Lbs.	17 "	13 Ft. Lbs.	25 "	18 "
5/16 - 24	12 "	9 "	19 "	14 "	25 "	20 "
3/8 - 16	20 "	15 "	30 "	23 "	45 "	35 "
3/8 - 24	23 "	17 "	35 "	25 "	50 "	35 "
7/16 - 14	32 "	24 "	50 "	35 "	70 "	55 "
7/16 - 20	36 "	27 "	55 "	40 "	80 "	60 "
1/2 - 13	50 "	35 "	75 "	55 "	110 "	80 "
1/2 - 20	55 "	40 "	90 "	65 "	120 "	90 "
9/16 - 12	70 "	55 "	110 "	80 "	150 "	110 "
9/16 - 18	80 "	60 "	120 "	90 "	170 "	130 "
5/8 - 11	100 "	75 "	150 "	110 "	220 "	170 "
5/8 - 18	110 "	85 "	180 "	130 "	240 "	180 "
3/4 - 10	175 "	130 "	260 "	200 "	380 "	280 "
3/4 - 16	200 "	150 "	300 "	220 "	420 "	320 "
7/8 - 9	170 "	125 "	430 "	320 "	600 "	460 "
7/8 - 14	180 "	140 "	470 "	360 "	660 "	500 "
1 - 8	250 "	190 "	640 "	480 "	900 "	680 "
1 - 12	270 "	210 "	710 "	530 "	1000 "	740 "

Multiply in Lbs. by (0.113) or Ft. Lbs. by (1.355) for metric Nm

NOTE: These torque values are to be used for all GEHL hardware excluding: locknuts, self-tapping screws, thread forming screws, and sheet metal screws. Unless otherwise noted, all torque values must meet this specification.

Attaching Hardware Table

Size & Description	Part Number	Size & Description	Part Number	Size & Description	Part Number	Size & Description	Part Number
#6-32N	650658	1/4P	654002	3/8L	654026	5/8L	654032
#6L	645044	5/16N	653007	3/8P	654006	5/8P	654012
#6P	654043	5/16LN	071701	1/2N	653018	3/4N	653026
#10-24N	650550	5/16NILN	064260	1/2JN	653044	3/4NF-CN	653089
#10L	650549	5/16L	654024	1/2LN	071706	3/4L	654034
#12-24N	650627	5/16P	654004	1/2NILN	068034	3/4P	654014
#12L	650813	3/8N	653010	1/2L	654030	1"N	653130
1/4N	653005	3/8JN	653038	1/2P	654009	1"JN	650820
1/4LN	071700	3/8LN	071703	5/8N	653021	1"NF-NILN	066777
1/4L	654022	3/8NILN	067847	5/8LN	071709	1"P	654016

GEHL®

FARM EQUIPMENT

GEHL COMPANY WEST BEND, WISCONSIN 53095 U.S.A.