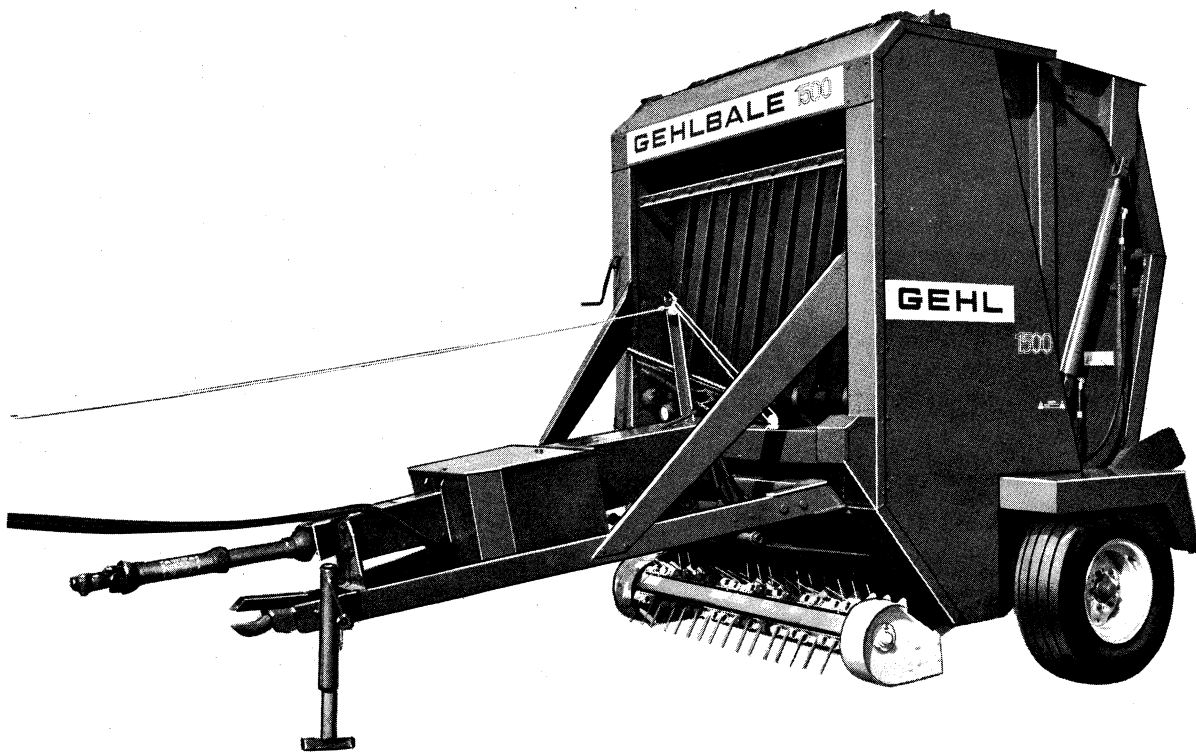


# RB1500

## Baler



# SERVICE PARTS MANUAL

Form No.  
902586  
Replaces  
901570

GEHL<sup>®</sup> COMPANY

**Mr. Dealer:**

When ordering service parts, specify the correct part number, full description, quantity required, the unit model number and serial number.

The model number and serial number for this unit are on a decal located on the Main Frame below the right Quick-switch Yoke.

“Right” and “Left” are determined from a position standing behind the unit and facing toward the direction of travel. From this position the Drive Chains are on the “Left” side.

**GEHL** Company reserves the right to make changes or improvements in the design or construction of any part of the unit without incurring the obligation to install such changes on any unit previously delivered.

**NOTE:** On original Tire replacement, Company policy prohibits the sale of replacement tires for all original GEHL machinery. Replacement Wheel Sets are available and tire size information is called-out with the Wheel Sets to facilitate replacement tire selection. **ALL REPLACEMENT TIRES MUST BE PURCHASED LOCALLY.**

**NOTE:** Common hardware, such as nuts, cap screws, etc. are listed in the parts list but **NOT** illustrated. Hardware listed, is for mounting purposes and **NOT** included when the part is order-

ed for replacement. For the part numbers of common hardware, refer to the attaching hardware table located inside the back cover.

Standard hardware torques appear in a chart at the end of the manual.

Unless otherwise specified, all Cap Screws or Bolts are Grade 5, cadmium or zinc plated; Hexagon Nuts for Grade 5 Cap Screws or Bolts are Grade B; Hexagon Nuts for other Cap Screws or Bolts are Grade A.

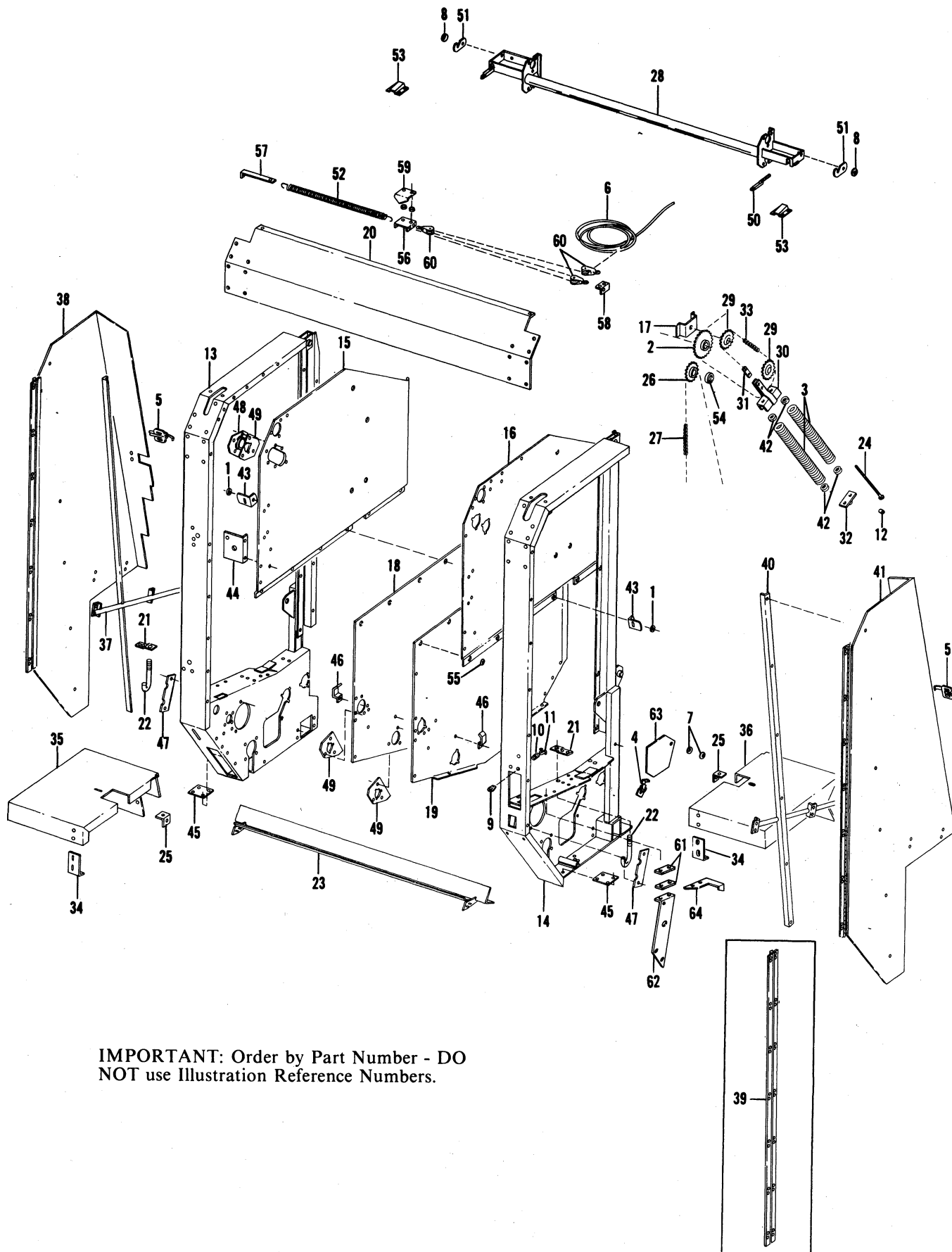
The following abbreviations are used in this manual:

- CB - Carriage Bolt
- HHCS - Hexagon Head Cap Screw
- PTHMS - Phillips Truss Head Machine Screw
- SHSS - Socket Head Set Screw
- FHMS - Flat Head Machine Screw
- RHMS - Round Head Machine Screw
- HWHSTS - Hexagon Washer Head Self Threading Screw
- HWHTCS - Hexagon Washer Head Thread Cutting Screw
- HJN - Hexagon Jam Nut
- HLN - Hexagon Lock Nut
- HN - Hexagon Nut
- PW - Plain Washer
- LW - Lock Washer
- NF - National Fine (Thread)
- SL - Self Locking (Thread)
- T - Tooth

## TABLE OF CONTENTS

|                                     | <b>Page</b>        |
|-------------------------------------|--------------------|
| Introduction .....                  | Inside Front Cover |
| Table of Contents .....             | 1                  |
| Frame & Shuttle .....               | 2-5                |
| PTO & Drawbar .....                 | 6-7                |
| Pickup .....                        | 8-9                |
| Rear Gate .....                     | 10-11              |
| Upper Rollers .....                 | 12-13              |
| Lower Rollers .....                 | 14-15              |
| Twinebox & Tie .....                | 17                 |
| Transmission .....                  | 18                 |
| Hydraulic Cylinder .....            | 19                 |
| Hydraulic Valve .....               | 19                 |
| Universal Drives .....              | 20-21              |
| Options & Accessories .....         | 21-23              |
| Stalk Hold-down Kit .....           | 21                 |
| Electric Twine Wrapping Kit .....   | 21                 |
| Control Box .....                   | 21                 |
| Manual Hydraulic Shut Off Kit ..... | 23                 |
| Hydraulic Twine Wrapping Kit .....  | 23                 |
| Re-Lacing Kit .....                 | 23                 |
| Slow-down Sprocket Kit .....        | 23                 |
| Platform Belt Lacing Pin Kit .....  | 23                 |
| Decal Locations .....               | 24                 |
| Numerical Index .....               | 25-27              |
| Torque Specifications .....         | Inside Back Cover  |
| Attaching Hardware Table .....      | Inside Back Cover  |

# RB1500 - FRAME & SHUTTLE

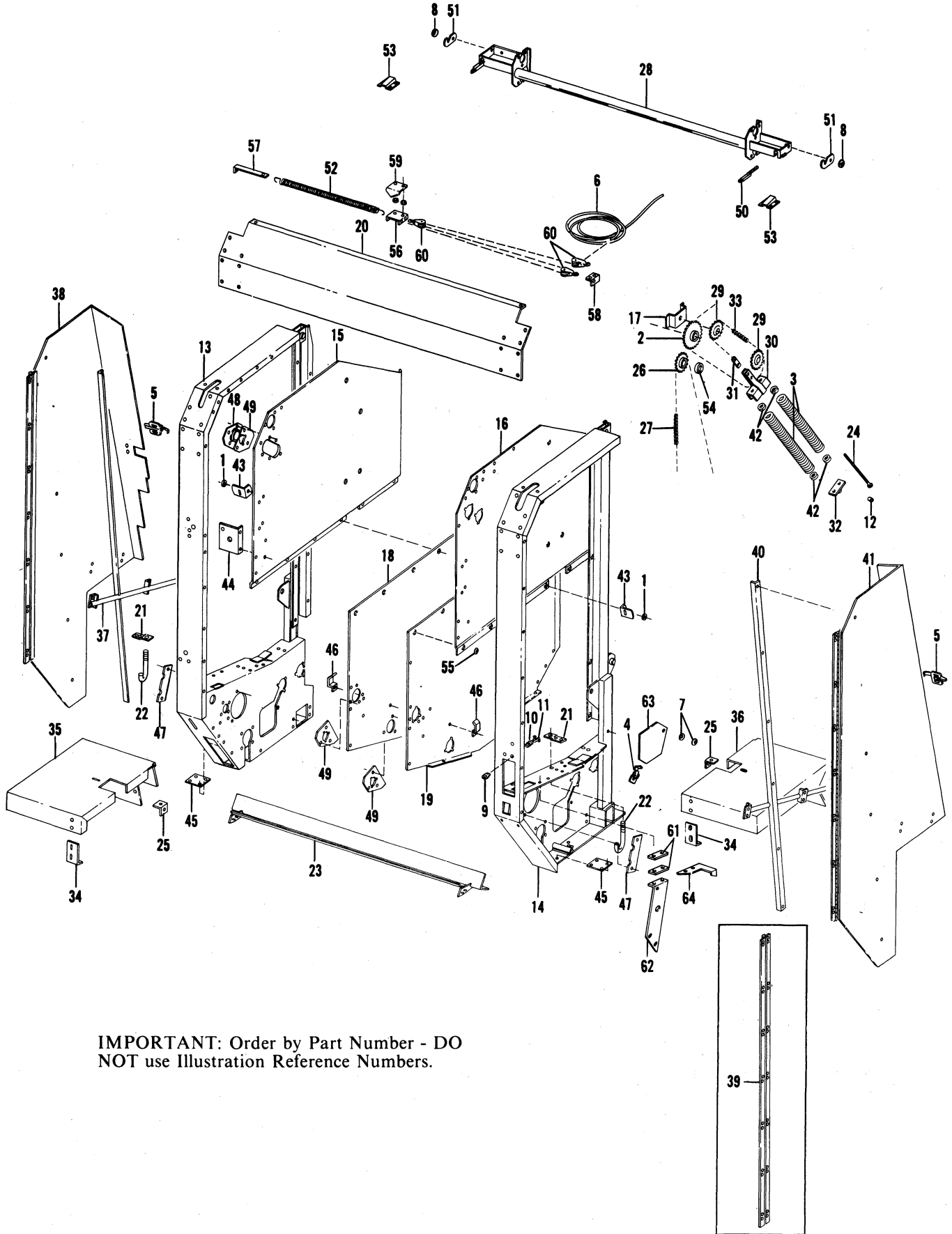


**IMPORTANT:** Order by Part Number - DO NOT use Illustration Reference Numbers.

## RB1500 - FRAME & SHUTTLE

| Ref. No. | Part No.                     | Part Name                  | No. Req. | Ref. No. | Part No.                        | Part Name                          | No. Req. |
|----------|------------------------------|----------------------------|----------|----------|---------------------------------|------------------------------------|----------|
| 1        | 7K73                         | Washer.....                | 2        | 20       | 057146                          | Panel .....                        | 1        |
| 2        | H714B                        | Sprocket (29T) .....       | 2        |          | 650430                          | HHCS 3/8 x 1 .....                 | 16       |
|          | 650213                       | S-L SHSS 3/8 x 3/8 .....   | 2        |          | (16) 3/8 HN - (16) LW           |                                    |          |
| 3        | H6057B                       | Spring .....               | 4        | 21       | 057175                          | Roll Stop Reinforcement .....      | 2        |
| 4        | 040860                       | Clip .....                 | 2        |          | 650430                          | HHCS 3/8 x 1 .....                 | 4        |
|          | 650548                       | RHMS #1024 x 1/2.....      | 2        |          | (4) 3/8 HN - (4) LW             |                                    |          |
|          | (2) #1024 HN - (2) #10 LW    |                            |          | 22       | 057178                          | Hook Bolt .....                    | 2        |
| 5        | 044116                       | Latch .....                | 2        |          | (4) 1/2 HN                      |                                    |          |
|          | 650339                       | RHMS #1224 x 1/2.....      | 4        | 23       | 057181                          | Scraper .....                      | 1        |
|          | (4) #1224 HN - (4) #12 LW    |                            |          | 24       | 057232                          | Take-up Bolt.....                  | 4        |
| 6        | 052595                       | Wire Rope 3/16 x 138 ..... | 1        | 25       | 057300                          | Fender Angle .....                 | 2        |
| 7        | 054959                       | Belleville Washer .....    | 4        |          | 650349                          | HHCS 3/8 x 3 .....                 | 2        |
| 8        | 055142                       | Spring Washer .....        | 2        |          | (2) 1/2 HN - (2) LW             |                                    |          |
| 9        | 055690                       | Latch Handle .....         | 1        | 26       | 057344                          | Sprocket (18T) .....               | 1        |
| 10       | 055691                       | Latch Spring.....          | 1        | 27       | 057361                          | Chain (#50) of 240 Links Including |          |
| 11       | 055692                       | Latch Clip .....           | 1        |          | One (500057) Connector Link ..  | 1                                  |          |
| 12       | 056769                       | Spacer .....               | 2        | 28       | 057362                          | Shuttle .....                      | 1        |
| 13       | 057083                       | Baler Frame - Right .....  | 1        |          | 650393                          | HHCS 5/16 x 3/4 .....              | 11       |
|          | 650428                       | HHCS 5/16 x 5/8 .....      | 2        |          | (11) 5/16 HLN                   |                                    |          |
|          | 650341                       | HHCS 5/16 x 1-3/4 .....    | 1        | 29       | 057370                          | Idler Sprocket (17T) .....         | 4        |
|          | 650676                       | HHCS 5/16 x 4 .....        | 1        |          | 650461                          | HHCS 5/8 x 2-1/2 .....             | 2        |
|          | 650429                       | HHCS 3/8 x 3/4 .....       | 2        |          | (2) 5/8 HN - (6) PW - (2) LW    |                                    |          |
|          | 650430                       | HHCS 3/8 x 1 .....         | 13       | 30       | 057371                          | Spring Base - Upper .....          | 2        |
|          | 650396                       | HHCS 3/8 x 1-1/4 .....     | 1        |          | 650435                          | HHCS 1/2 x 2-1/4 .....             | 2        |
|          | (3) 5/16 HN - (3) LW         |                            |          |          | 650555                          | HHCS 5/8 x 2-1/4 .....             | 4        |
|          | (16) 3/8 HN - (16) LW        |                            |          |          | (2) 1/2 HLN - (8) PW            |                                    |          |
| 14       | 057103                       | Baler Frame - Left.....    | 1        |          | (2) 5/8 HN - (4) PW - (2) LW    |                                    |          |
|          | 650428                       | HHCS 5/16 x 5/8 .....      | 2        | 31       | 057374                          | Chain Block .....                  | 2        |
|          | 650430                       | HHCS 3/8 x 1 .....         | 14       | 32       | 057375                          | Spring Base.....                   | 2        |
|          | 650396                       | HHCS 3/8 x 1-1/4 .....     | 1        |          | 650353                          | HHCS 5/8 x 2 .....                 | 2        |
|          | 652161                       | CB 1/2 x 2 .....           | 1        |          | (2) 5/8 HN - (8) PW - (2) LW    |                                    |          |
|          | (2) 5/16 HN - (2) LW         |                            |          | 33       | 057376                          | Chain (#50) of 161 Links Including |          |
|          | (15) 3/8 HN - (15) LW        |                            |          |          | Two (500111) Connector Links .. | 2                                  |          |
|          | (1) 1/2 HN - (1) LW - (1) PW |                            |          | 34       | 057380                          | Fender Mounting Bracket .....      | 2        |
| 15       | 057109                       | Right Sheet - Upper .....  | 1        |          | 650430                          | HHCS 3/8 x 1 .....                 | 2        |
|          | 650429                       | HHCS 3/8 x 3/4 .....       | 3        |          | (2) 3/8 HN - (2) LW             |                                    |          |
|          | 650430                       | HHCS 3/8 x 1 .....         | 4        | 35       | 057381                          | Fender - Right .....               | 1        |
|          | 650396                       | HHCS 3/8 x 1-1/4 .....     | 2        |          | 650471                          | HHCS 3/8 x 7/8 .....               | 3        |
|          | 650404                       | FHSCS 3/8 x 1 .....        | 4        |          | 650430                          | HHCS 3/8 x 1 .....                 | 1        |
|          | (13) 3/8 HN - (13) LW        |                            |          |          | (4) 3/8 HN - (3) PW - (4) LW    |                                    |          |
| 16       | 057110                       | Left Sheet - Upper.....    | 1        | 36       | 057382                          | Fender - Left .....                | 1        |
|          | 650430                       | HHCS 3/8 x 1 .....         | 2        |          | 650471                          | HHCS 3/8 x 7/8 .....               | 3        |
|          | 650396                       | HHCS 3/8 x 1-1/4 .....     | 2        |          | 650430                          | HHCS 3/8 x 1 .....                 | 1        |
|          | 650404                       | FHSCS 3/8 x 1-1/4 .....    | 4        |          | (4) 3/8 HN - (3) PW - (4) LW    |                                    |          |
|          | (8) 3/8 HN - (8) LW          |                            |          | 37       | 057383                          | Guard Reinforcement - Right ....   | 1        |
| 17       | 057111                       | Idler Bracket.....         | 2        | 38       | 057387                          | Drive Guard - Right .....          | 1        |
| 18       | 057112                       | Right Sheet - Lower .....  | 1        |          | 650481                          | HHCS 1/4 x 1/2 .....               | 12       |
|          | 650802                       | FHSCS 3/8 x 1-1/4 .....    | 11       |          | 650428                          | HHCS 5/16 x 5/8 .....              | 7        |
|          | 650277                       | PTHMS 3/8 x 1 .....        | 3        |          | (12) 1/4 HN - (12) LW           |                                    |          |
|          | (14) 3/8 HN - (14) LW        |                            |          |          | (7) 5/16 HN - (7) LW            |                                    |          |
| 19       | 057120                       | Left Sheet - Lower.....    | 1        | 39       | 057388                          | Hinge .....                        | 2        |
|          | 650488                       | HHCS 3/8 x 3/4 .....       | 6        |          | (Used before Serial #1399)      |                                    |          |
|          | 650802                       | FHSCS 3/8 x 1-1/4 .....    | 9        | 40       | 057389                          | Guard Reinforcement - Left.....    | 1        |
|          | 650628                       | FHSCS 3/8 x 1 .....        | 2        |          |                                 |                                    |          |
|          | 650277                       | PTHMS 3/8 x 1 .....        | 3        |          |                                 |                                    |          |
|          | (20) 3/8 HN - (20) LW        |                            |          |          |                                 |                                    |          |

# RB1500 - FRAME & SHUTTLE



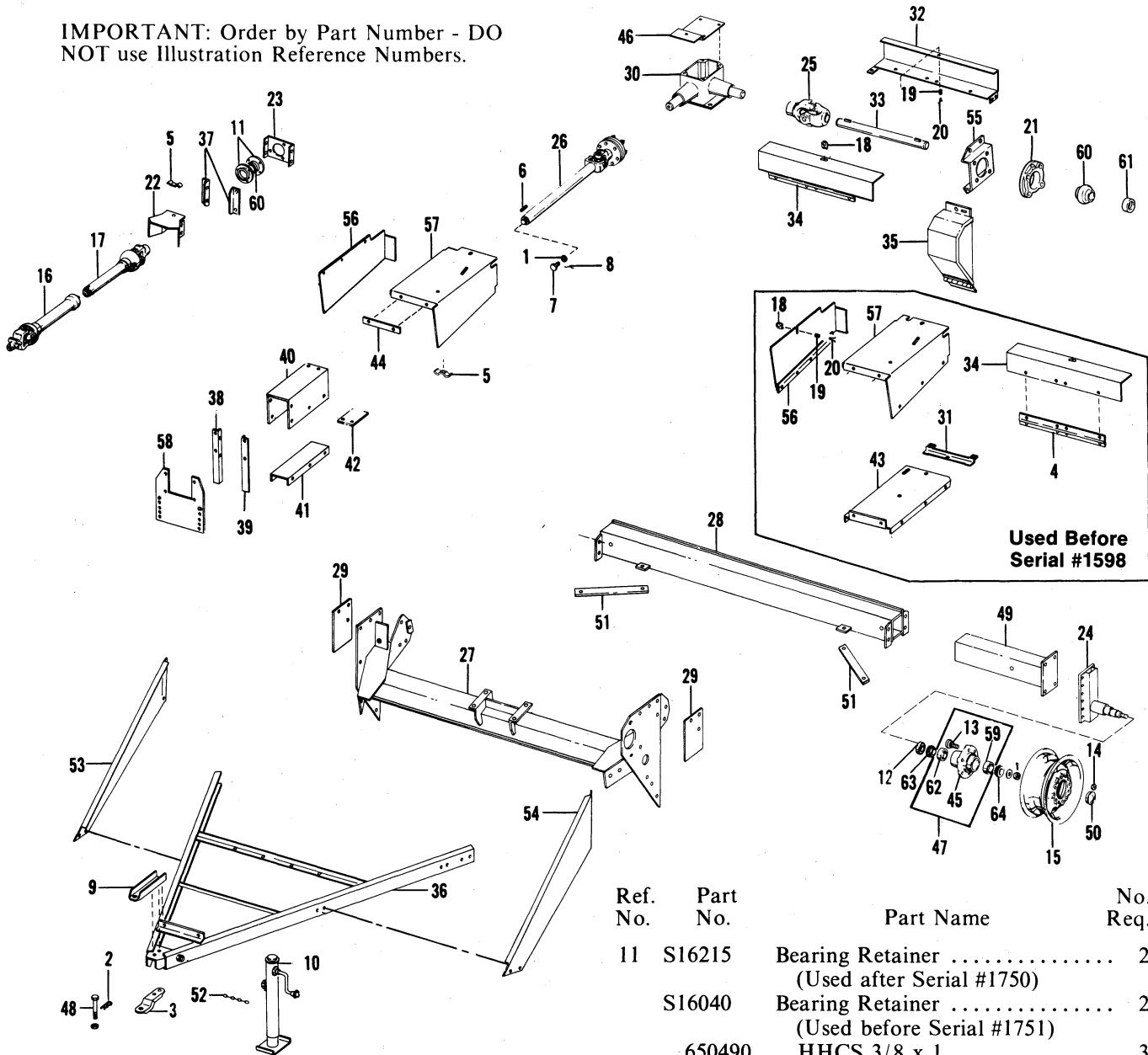
**IMPORTANT: Order by Part Number - DO NOT use Illustration Reference Numbers.**

## RB1500 - FRAME & SHUTTLE

| Ref.<br>No. | Part<br>No. | Part Name                 | No.<br>Req. | Ref.<br>No. | Part<br>No. | Part Name                    | No.<br>Req. |
|-------------|-------------|---------------------------|-------------|-------------|-------------|------------------------------|-------------|
| 41          | 057391      | Drive Guard - Left .....  | 1           | 54          | 058489      | Set Collar .....             | 1           |
|             | 650481      | HHCS 1/4 x 1/2 .....      | 12          |             | 650204      | * S-L SHSS 5/16 x 3/8 .....  | 4           |
|             | 650428      | HHCS 5/16 x 5/8 .....     | 7           | 55          | 058490      | Washer .....                 | 28          |
|             |             | (12) 1/4 HN - (12) LW     |             | 56          | 058533      | Indicator Base .....         | 1           |
|             |             | (7) 5/16 HN - (7) LW      |             |             | 650488      | HHCS 3/8 x 3/4 .....         | 2           |
|             |             | (4) 3/8 PW                |             |             |             | (2) 3/8 HN - (2) LW          |             |
| 42          | 057883      | Spring Plug .....         | 8           | 57          | 058534      | Spring Anchor .....          | 1           |
| 43          | 057931      | Door Latch Bracket .....  | 2           |             | 650396      | HHCS 3/8 x 1-1/4 .....       | 1           |
| 44          | 057935      | Bracket .....             | 1           |             |             | (1) 3/8 HN - (1) LW          |             |
| 45          | 057945      | Reinforcement .....       | 2           | 58          | 058535      | Pulley Anchor .....          | 1           |
|             | 650430      | HHCS 3/8 x 1 .....        | 8           |             | 650396      | HHCS 3/8 x 1-1/4 .....       | 1           |
|             |             | (8) 3/8 HN - (8) LW       |             |             |             | (1) 3/8 HN - (1) LW          |             |
| 46          | 057948      | Hose Bracket .....        | 2           | 59          | 058536      | Bale Size Indicator .....    | 1           |
| 47          | 057959      | Cover .....               | 2           | 60          | 058538      | Pulley .....                 | 3           |
| 48          | 057962      | Roll Shield - Right ..... | 1           | 61          | 058874      | Support Spacer .....         | 2           |
|             | 650393      | HHCS 5/16 x 3/4 .....     | 3           |             |             | (Used after Serial #1613)    |             |
| 49          | 057963      | Bracket Plate .....       | 3           | 62          | 058875      | Support .....                | 1           |
|             | 650429      | HHCS 3/8 x 3/4 .....      | 3           |             |             | (Used after Serial #1613)    |             |
|             |             | (3) 3/8 HN - (3) LW       |             |             | 058391      | Support .....                | 1           |
| 50          | 057977      | Chain Take-up .....       | 1           |             |             | (Used before Serial #1614)   |             |
| 51          | 057980      | Shuttle Hook .....        | 2           |             | 650508      | HHCS 3/8 x 1-3/4 .....       | 2           |
|             | 650433      | HHCS 1/2 x 1-1/4 .....    | 2           |             |             | (2) 3/8 HN - (4) PW - (2) LW |             |
|             |             | (2) 1/2 HLN               |             | 63          | 058908      | Access Hole Cover .....      | 2           |
| 52          | 058325      | Spring .....              | 1           |             | 650393      | HHCS 5/16 x 3/4 .....        | 2           |
| 53          | 058326      | Chain Guard .....         | 2           |             |             | (2) 5/16 HLN                 |             |
|             | 650430      | HHCS 3/8 x 1 .....        | 4           | 64          | 059215      | Door Stop .....              | 1           |
|             |             | (4) 3/8 HN - (4) LW       |             |             |             | (Used after Serial #1947)    |             |

# RB1500 - PTO & DRAWBAR

IMPORTANT: Order by Part Number - DO NOT use Illustration Reference Numbers.



| Ref. No. | Part No.            | Part Name                           | No. Req. |
|----------|---------------------|-------------------------------------|----------|
| 1        | 9H253               | Washer                              | 5        |
| 2        | 9H300               | Lock Pin                            | 2        |
| 3        | 17H340A             | Drawbar Clip - Lower                | 1        |
| 4        | 17H394              | Hinge<br>(Used before Serial #1598) | 1        |
| 5        | H6094               | Hose Clamp                          | 2        |
|          | 650453              | HHCS 1/2 x 1-1/2                    | 1        |
|          | (1) 1/2 HLN         |                                     |          |
| 6        | H6172               | Tubular Drive Key                   | 1        |
| 7        | H6240               | Joint Retainer Bolt 1/2NF x 1       | 1        |
| 8        | H6242               | Joint Retainer Wire                 | 1        |
| 9        | R13139A             | Drawbar Clip - Upper                | 1        |
|          | 650336              | HHCS 5/8 x 1-3/4                    | 2        |
|          | (2) 5/8 HN - (2) LW |                                     |          |
| 10       | S16119A             | Hitch Jack                          | 1        |

| Ref. No. | Part No.            | Part Name                        | No. Req. |
|----------|---------------------|----------------------------------|----------|
| 11       | S16215              | Bearing Retainer                 | 2        |
|          |                     | (Used after Serial #1750)        |          |
|          | S16040              | Bearing Retainer                 | 2        |
|          |                     | (Used before Serial #1751)       |          |
|          | 650490              | HHCS 3/8 x 1                     | 3        |
|          | (3) 3/8 HN - (3) LW |                                  |          |
| 12       | 045998              | Grease Seal                      | 2        |
| 13       | 046000              | Wheel Bolt                       | 12       |
| 14       | 046001              | Wheel Nut                        | 12       |
| 15       | 048060              | Wheel 15 x 8.00                  | 2        |
| 16       | 054283B             | Universal Joint w/Sq. Shaft      | 1        |
|          | 570014              | Grease Fitting                   | 1        |
| 17       | 054284B             | Universal Joint w/Sq. Tube       | 1        |
|          | 570014              | Grease Fitting                   | 1        |
| 18       | 055690              | Latch Handle                     | 1        |
|          |                     | (Two Req'd before Serial #1598)  |          |
| 19       | 055691              | Latch Spring                     | 1        |
|          |                     | (Two Req'd. before Serial #1598) |          |
| 20       | 055692              | Latch Clip                       | 1        |
|          |                     | (Two Req'd. before Serial #1598) |          |
| 21       | 055986              | Bearing Housing                  | 1        |
|          | 570002              | Grease Fitting                   | 1        |
|          | 650508              | HHCS 3/8 x 1-3/4                 | 4        |
|          | (4) 3/8 HN - (4) LW |                                  |          |

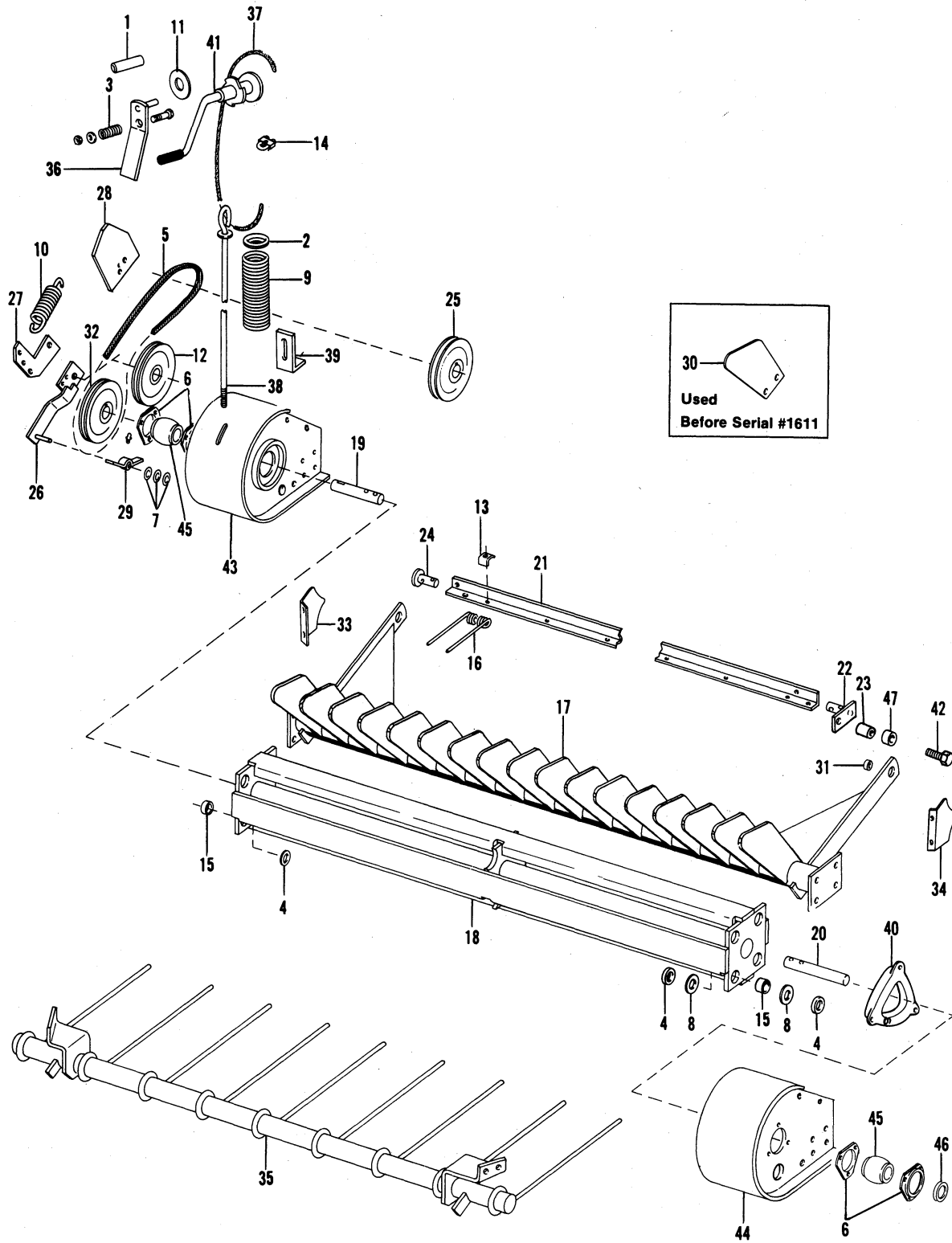


## RB1500 - PTO & DRAWBAR

| Ref. No. | Part No. | Part Name  | No. Req. | Ref. No. | Part No. | Part Name   | No. Req. |
|----------|----------|--|----------|----------|----------|---|----------|
| 22       | 056245   | PTO Guard  | 1        | 43       | 057449D  | Clutch Guard - Lower<br>(Used before Serial #1598)    | 1        |
|          | 650430   | HHCS 3/8 x 1<br>(4) 3/8 HN - (4) LW  | 4        | 44       | 057462   | Hinge Spacer  | 1        |
| 23       | 056246   | PTO Guard Support  | 1        | 45       | 057570   | Wheel Hub   | 2        |
| 24       | 056252   | Adjustable Spindle   | 2        | 46       | 057888   | Transmission Cover                                    | 1        |
|          | 655022   | Cotter Pin 3/16 x 1-3/4<br>(2) 3/4 SN NF   | 2        |          | 570016   | Relief Fitting  | 1        |
| 25       | 056343B  | Universal Joint  | 1        | 47       | 057911   | Wheel Hub Assembled                                   | 2        |
|          | 570014   | Grease Fitting   | 1        | 48       | 058328   | Hitch Bolt 3/4 x 4-1/2                                | 1        |
|          | 650215   | S-L SHSS 3/8 x 1/2   | 2        | 49       | 058394   | Axle Extension  | 2        |
| 26       | 056351B  | Universal Joint w/Clutch   | 1        |          | 650569   | HHCS 1/2 x 1-3/4<br>(8) 1/2 HN - (8) LW               | 8        |
|          | 570002   | Grease Fitting   | 2        | 50       | 058421   | Grease Cap  | 2        |
|          | 570014   | Grease Fitting   | 1        | 51       | 058453   | Brace   | 2        |
| 27       | 057123   | Drawbar Support  | 1        |          | 650473   | HHCS 1/2 x 1-1/2<br>(4) 1/2 HN - (4) LW               | 4        |
|          | 650430   | HHCS 3/8 x 1   | 17       | 52       | 058566   | Safety Chain (6 Links)<br>(Used before Serial #3490)  | 1        |
|          | 650396   | HHCS 3/8 x 1-1/4   | 4        | 53       | 058769   | Drawbar Brace - Right<br>(Used after Serial #1226)    | 1        |
|          | 650397   | HHCS 3/8 x 1-1/2   | 2        |          | 057405E  | Drawbar Brace - Right<br>(Used before Serial #1227)   | 1        |
|          | 650474   | HHCS 3/4 x 1-1/2<br>(23) 3/8 HN - (2) HLN - (23) LW - (8) PW<br>(4) 3/4 HN - (4) LW        | 4        |          | 650430   | HHCS 3/8 x 1<br>(4) 3/8 HN - (4) LW                   | 4        |
| 28       | 057142   | Axle   | 1        | 54       | 058771   | Drawbar Brace - Left<br>(Used after Serial #1226)     | 1        |
|          | 650473   | HHCS 1/2 x 1-1/2   | 8        |          | 057406F  | Drawbar Brace - Left                                  | 1        |
|          | 650497   | HHCS 1/2 x 5-1/2<br>(10) 1/2 HN - (10) LW  | 2        |          | 650430   | HHCS 3/8 x 1<br>(3) 3/8 HN - (3) LW                   | 3        |
| 29       | 057147   | Spacer Plate   | 2        | 55       | 058878   | Bearing Mounting Bracket<br>(Used after Serial #1613) | 1        |
| 30       | 057285c  | Transmission Assembled   | 1        | 56       | 058917   | Clutch Guard Door<br>(Used after Serial #1597)        | 1        |
| 31       | 057290   | Clutch Guard Support - Lower<br>(Used before Serial #1598)                                 | 1        |          | 057463c  | Clutch Guard Door<br>(Used before Serial #1598)       | 1        |
| 32       | 057291   | Side Guard   | 1        | 57       | 058919   | Clutch Guard<br>(Used after Serial #1597)             | 1        |
|          | 650642   | HHCS 1/4 x 1   | 1        |          | 057461c  | Clutch Guard<br>(Used before Serial #1598)            | 1        |
|          | 650433   | HHCS 1/2 x 1-1/4   | 2        |          | 650428   | HHCS 5/16 x 5/8                                       | 6        |
|          | 650430   | HHCS 3/8 x 1<br>(1) 1/4 HN - (1) LW<br>(1) 3/8 HN - (1) LW<br>(2) 1/2 HN - (1) PW - (2) LW | 1        |          | 650393   | HHCS 5/16 x 3/4<br>(1) 5/16 HN - (1) PW - (7) LW      | 1        |
| 33       | 057295   | Drive Shaft 1-3/8 x 20-3/4   | 1        | 58       | 059528   | Adjustment Bracket<br>(Used after Serial #3489)       | 1        |
|          | 655537   | Woodruff Key 5/16 x 1-1/4  | 1        |          | 057407G  | Adjustment Bracket<br>(Used before Serial #3490)      | 1        |
|          | 655536   | Woodruff Key 3/8 x 1-1/4   | 1        | 59       | 520054   | Bearing Cup   | 2        |
| 34       | 057299   | Side Guard Cover   | 1        | 60       | 520066   | Ball Bearing  | 2        |
|          | 650473   | HHCS 5/16 x 1/2<br>(4) 5/16 HN - (4) LW  | 4        | 61       | 520153   | Bearing Lock Collar                                   | 1        |
| 35       | 057377   | Drive Guard  | 1        | 62       | 520199   | Bearing Cup   | 2        |
|          | 650485   | HHCS 5/16 x 5/8<br>(2) 5/16 HN - (2) LW  | 2        | 63       | 520200   | Bearing Cone  | 2        |
| 36       | 057392   | Drawbar  | 1        | 64       | 520201   | Bearing Cone  | 2        |
|          | 650430   | HHCS 3/8 x 1<br>(6) 3/8 HN - (6) LW  | 6        |          |          |   |          |
| 37       | 057408   | PTO Support  | 2        |          |          |   |          |
|          | 650430   | HHCS 3/8 x 1<br>(4) 3/8 HN - (4) LW  | 4        |          |          |   |          |
| 38       | 057409   | Guard Support - Right  | 1        |          |          |   |          |
| 39       | 057410   | Guard Support - Left   | 1        |          |          |   |          |
| 40       | 057411   | PTO Guard - Front  | 1        |          |          |   |          |
|          | 650428   | HHCS 5/16 x 5/8  | 6        |          |          |   |          |
|          | 650429   | HHCS 3/8 x 3/4<br>(6) 5/16 HN - (6) LW<br>(2) 3/8 HN - (2) LW                              | 2        |          |          |   |          |
| 41       | 057412   | PTO Guard - Lower Front  | 1        |          |          |   |          |
|          | 650429   | HHCS 3/8 x 3/4   | 2        |          |          |   |          |
| 42       | 057413   | Guard Extension - Front  | 1        |          |          |   |          |

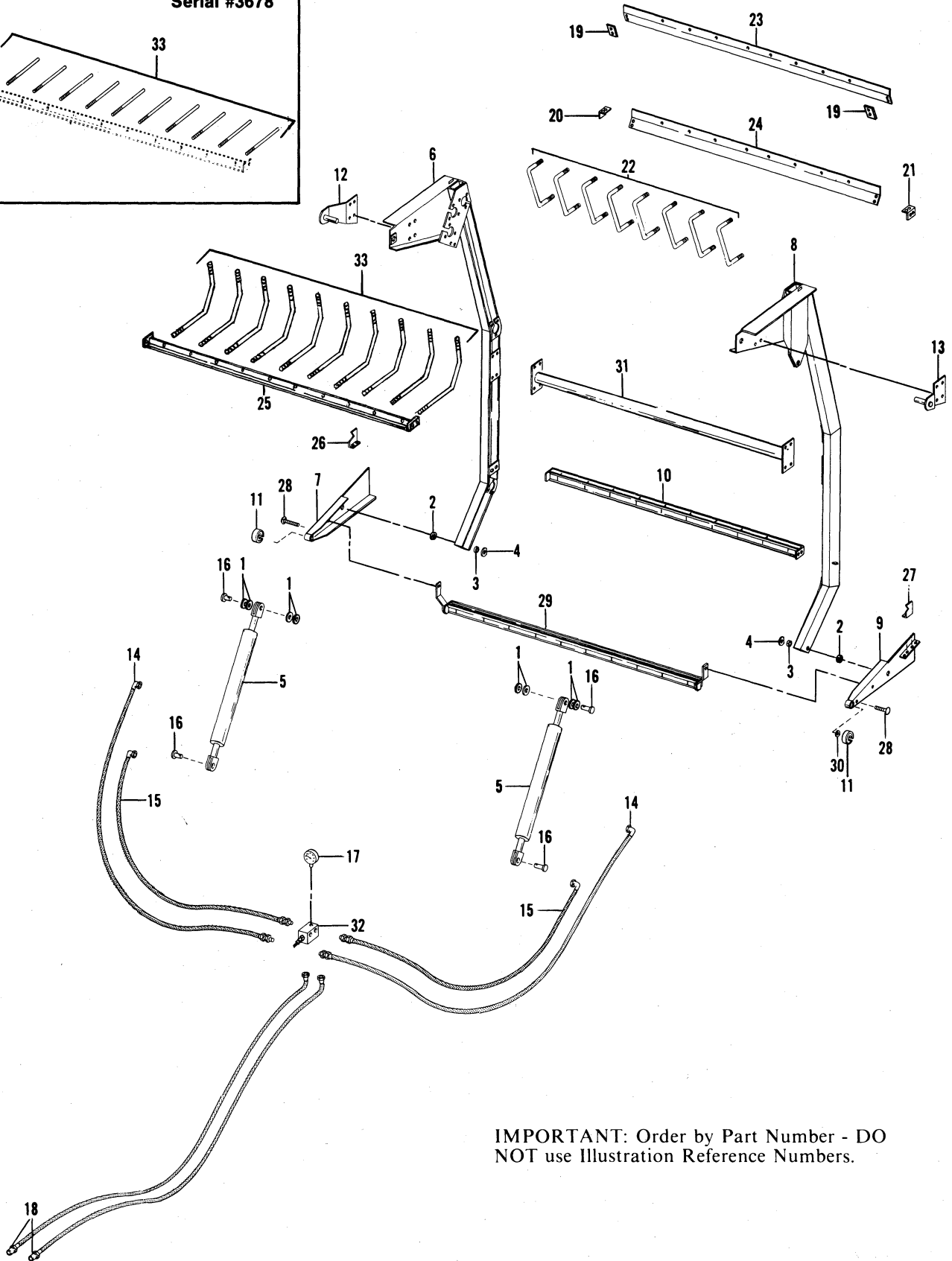
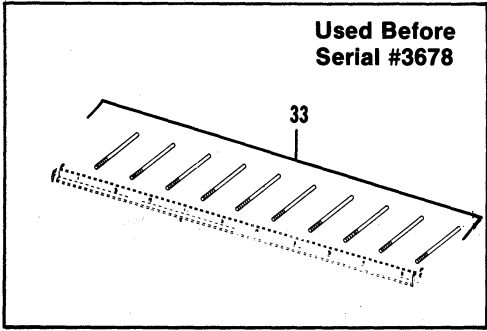
- A** To service Jack, specify 046365 for Jack Pin Chain and 046366 for Jack Pin.
- B** See page 21 for Universal Drive Service Parts.
- C** See page 18 for Transmission Service Parts.
- D** For Replacement, order (1) 058917 & (1) 058919.
- E** For Replacement, order part #058769.
- F** For Replacement, order part #058771.
- G** For Replacement, order part #059528.

# RB1500 - PICK UP



| Ref. No. | Part No. | Part Name                               | No. Req. | Ref. No. | Part No. | Part Name                         | No. Req. |
|----------|----------|---|----------|----------|----------|-----------------------------------|----------|
| 1        | 6H160    | Spacer .....                            | 1        | 29       | 057508   | Idler Pivot.....                  | 1        |
| 2        | H190A    | Spring Cup .....                        | 1        |          | 570009   | Grease Fitting.....               | 1        |
| 3        | H6075    | Clutch Spring .....                     | 1        |          | 650487   | HHCS 5/16 x 3/4 .....             | 2        |
| 4        | H7126    | Shim Washer .....                       | 15       | 30       | 057511   | Hay Saver Plate.....              | 17       |
| 5        | H8035    | Drive Belt .....                        | 1        |          |          | (Used before Serial #1611)        |          |
| 6        | H8334    | Bearing Retainer .....                  | 4        | 31       | 057512   | Pivot Bushing.....                | 2        |
|          |          | (Used after Serial #1648)               |          |          | 650497   | HHCS 1/2 x 5-1/2 .....            | 2        |
|          | R13227   | Bearing Retainer .....                  | 4        |          |          | (2) 1/2 HN - (2) PW - (2) LW      |          |
|          |          | (Used before Serial #1649)              |          | 32       | 057513   | Driven Sheave (7-1/2" Dia.) ..... | 1        |
|          | 650430   | HHCS 3/8 x 1 .....                      | 6        |          | 650208   | SHSS 5/16 x 3/4 .....             | 2        |
| 7        | H8354    | Retainer Washer .....                   | 3        | 33       | 057922   | Hay Shield - Right .....          | 1        |
| 8        | B11162B  | Shim Washer .....                       | 8        |          | 650490   | HHCS 3/8 x 1 .....                | 2        |
|          |          | (Used after Serial #1610)               |          |          |          | (2) 3/8 HN - (2) LW               |          |
| 9        | C14084   | Idler Tension Spring .....              | 1        | 34       | 057923   | Hay Shield - Left .....           | 1        |
| 10       | 042667   | Extension Spring .....                  | 1        |          | 650490   | HHCS 3/8 x 1 .....                | 2        |
| 11       | 049061   | Washer.....                             | 1        |          |          | (2) 3/8 HN - (2) LW               |          |
| 12       | 053688   | Belt Idler .....                        | 1        | 35       | 057926   | Tine Hold-down.....               | 1        |
|          | 650647   | HHCS 5/8 x 2 .....                      | 1        | 36       | 057936   | Ratchet Release .....             | 1        |
|          |          | (1) 5/8 HN - (1) LW                     |          | 37       | 057939   | Wire Rope.....                    | 1        |
| 13       | 054031   | Tine Clip .....                         | 32       | 38       | 057940   | Spring Bolt .....                 | 1        |
| 14       | 056061   | Wire Rope Clamp .....                   | 2        |          |          | (2) 3/8 HN                        |          |
| 15       | 056349   | Tension Bushing.....                    | 8        | 39       | 057942   | Suspension Bracket .....          | 1        |
| 16       | 056350   | Pickup Tine .....                       | 32       |          | 650677   | CB 1/2 x 1 .....                  | 1        |
| 17       | 057465   | Stabilizer Bar .....                    | 1        |          |          | (1) 1/2 HN - (1) LW               |          |
| 18       | 057479   | Pickup Drum .....                       | 1        | 40       | 057982   | Drum Cam .....                    | 1        |
|          | 650204   | S-L SHSS 5/16 x 3/8 .....               | 2        | 41       | 058796   | Ratchet .....                     | 1        |
|          | 650478   | HHCS 3/8 x 2-1/4 .....                  | 4        |          |          | (Used after Serial #1286)         |          |
|          |          | (4) 3/8 HLN                             |          |          | 040278   | Ratchet .....                     | 1        |
| 19       | 057484   | Pickup Shaft - Right 1/4 x 8.....       | 1        |          |          | (Used before Serial #1287)        |          |
|          | 650513   | Woodruff Key 1/4 x 1 .....              | 1        | 42       | 058920   | Cam Roller Bolt 1/2 x 1-1/4 ..... | 4        |
| 20       | 057485   | Pickup Shaft - Left 1-1/4 x 7-3/4 ..... | 1        | 43       | 059593   | Pickup Header - Right .....       | 1        |
| 21       | 057486   | Tine Support .....                      | 4        |          |          | (Used after Serial #3719)         |          |
|          | 650400   | HHCS 5/16 x 1 .....                     | 32       |          | 057493   | Pickup Header - Right .....       | 1        |
|          | 650397   | HHCS 3/8 x 1/2 .....                    | 16       |          |          | (Used before Serial #3720)        |          |
|          |          | (32) 5/16 HLN - (32) PW                 |          |          | 650430   | HHCS 3/8 x 1 .....                | 6        |
|          |          | (16) 3/8 HLN                            |          |          |          | (6) 3/8 HN - (6) LW               |          |
| 22       | 057487   | Cam Arm .....                           | 4        | 44       | 059596   | Pickup Header - Left .....        | 1        |
| 23       | 057490   | Cam Spacer .....                        | 4        |          |          | (Used after Serial #3719)         |          |
| 24       | 057491   | Pivot Pin.....                          | 4        |          | 057470   | Pickup Header - Left .....        | 1        |
| 25       | 057497   | Driven Sheave (7-1/2" Dia.) .....       | 1        |          |          | (Used before Serial #3720)        |          |
|          | 650204   | S-L SHSS 5/16 x 3/8 .....               | 2        |          | 650430   | HHCS 3/8 x 1 .....                | 7        |
| 26       | 057499   | Idler Arm .....                         | 1        |          | 650396   | HHCS 3/8 x 1-1/4 .....            | 3        |
|          | 650490   | HHCS 3/8 x 1 .....                      | 2        |          |          | (10) 3/8 HN - (1) LW              |          |
|          |          | (2) 3/8 HN - (2) LW                     |          | 45       | 520065   | Ball Bearing .....                | 2        |
| 27       | 057504   | Tension Plate .....                     | 1        | 46       | 520085   | Bearing Lock Collar .....         | 2        |
| 28       | 057507   | Belt Shield.....                        | 1        | 47       | 520175   | Cam Roller .....                  | 4        |
|          | 650481   | HHCS 1/4 x 1/2 .....                    | 2        |          |          |                                   |          |
|          |          | (2) 1/4 LW                              |          |          |          |                                   |          |

# RB1500 - REAR GATE



IMPORTANT: Order by Part Number - DO NOT use Illustration Reference Numbers.

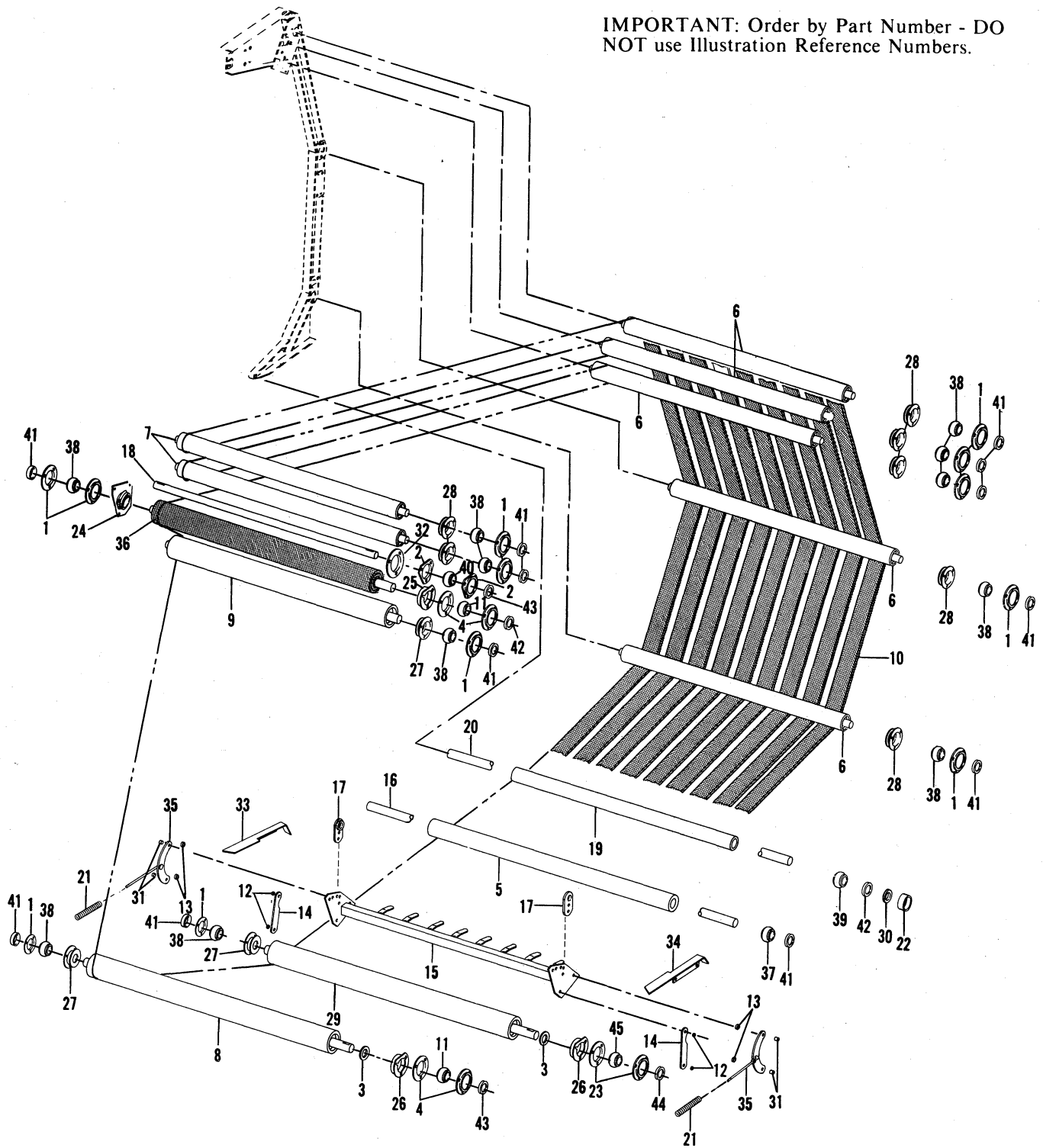
## RB1500 - REAR GATE

| Ref.<br>No. | Part<br>No. | Part Name                        | No.<br>Req. | Ref.<br>No. | Part<br>No. | Part Name                       | No.<br>Req. |
|-------------|-------------|----------------------------------|-------------|-------------|-------------|---------------------------------|-------------|
| 1           | H8054       | Washer.....                      | 8           | 21          | 057952      | Belt Guide Bracket - Left ..... | 1           |
| 2           | D9191       | Spacer .....                     | 2           |             | 650430      | HHCS 3/8 x 1 .....              | 2           |
| 3           | M12306      | Spacer .....                     | 2           |             | (2) 3/8     | HN - (2) LW                     |             |
| 4           | S16218      | Spacer .....                     | 2           | 22          | 057953      | Belt Guide Rod .....            | 10          |
| 5           | 056441A     | Hydraulic Cylinder .....         | 2           |             |             | (8 Req'd. before Serial #1083)  |             |
| 6           | 057242      | Gate - Right .....               | 1           |             |             | (40) 1/2 HN                     |             |
|             | 650430      | HHCS 3/8 x 1 .....               | 4           | 23          | 057954      | Belt Guide Angle .....          | 1           |
|             | 650432      | HHCS 1/2 x 1 .....               | 4           |             | 650396      | HHCS 3/8 x 1-1/4 .....          | 4           |
|             |             | (4) 3/8 HN - (2) PW - (4) LW     |             |             |             | (4) 3/8 HN - (4) PW - (4) LW    |             |
|             |             | (4) 1/2 HN - (4) LW              |             | 24          | 057955      | Belt Guide Angle .....          | 1           |
|             |             | (1) 5/8 HN                       |             | 25          | 058485      | Belt Guide.....                 | 1           |
| 7           | 057256      | Gate Head - Right.....           | 1           |             | 650430      | HHCS 3/8 x 1 .....              | 4           |
|             | 650689      | S-L SQHSS 5/16 x 1-1/4DP...      | 1           |             |             | (4) 3/8 HN - (4) LW             |             |
|             | 650430      | HHCS 3/8 x 1 .....               | 1           | 26          | 058542      | Gate Stop - Right .....         | 1           |
|             | 650532      | HHCS 5/8 x 1-1/2 .....           | 1           |             | 650490      | HHCS 3/8 x 1 .....              | 2           |
|             |             | (1) 3/8 HN - (1) PW - (1) LW     |             |             |             | (2) 3/8 HN - (2) LW             |             |
|             |             | (2) 1/2 PW                       |             | 27          | 058543      | Gate Stop - Left.....           | 1           |
|             |             | (1) 5/8 HN                       |             |             | 650490      | HHCS 3/8 x 1 .....              | 2           |
| 8           | 057262      | Gate - Left .....                | 1           | 28          | 058579      | Gauge Bolt 1/2 x 3 .....        | 2           |
|             | 650430      | HHCS 3/8 x 1 .....               | 4           |             |             | (4) 1/2 HN - (4) PW - (2) LW    |             |
|             | 650432      | HHCS 1/2 x 1 .....               | 4           | 29          | 058666      | Belt Guide - Lower .....        | 1           |
|             |             | (4) 3/8 HN - (2) PW - (4) LW     |             | 30          | 058690      | Spacer .....                    | 1           |
|             |             | (4) 1/2 HN - (4) LW              |             | 31          | 058884      | Torsion Tube .....              | 1           |
| 9           | 057267      | Gate Head - Left .....           | 1           |             |             | (Used after Serial #1613)       |             |
|             | 650430      | HHCS 3/8 x 1 .....               | 1           |             | 057269B     | Torsion Tube .....              | 1           |
|             | 650460      | HHCS 5/8 x 1-1/2 .....           | 1           |             |             | (Used before Serial #1614)      |             |
|             |             | (1) 3/8 HN - (1) PW - (1) LW     |             | 32          | 058963C     | Hydraulic Valve .....           | 1           |
|             |             | (1) 5/8 HN - (1) LW              |             |             |             | (Used after Serial #1633)       |             |
| 10          | 057271      | Belt Guide - Upper .....         | 1           |             | 057450D     | Hydraulic Valve .....           | 1           |
| 11          | 057274      | Follower Cam.....                | 2           |             |             | (Used before Serial #1634)      |             |
|             | 650338      | SHCS 3/8 x 1 .....               | 2           |             | 650359      | HHCS 5/16 x 2-3/4 .....         | 2           |
| 12          | 057280      | Pivot Pin Bracket - Right.....   | 1           |             |             | (2) 5/16 LW                     |             |
|             | 650433      | HHCS 1/2 x 1-1/4 .....           | 4           | 33          | 059650      | Belt Guide Divider.....         | 10          |
|             |             | (4) 1/2 HN - (4) LW              |             |             |             | (Used after Serial #3677)       |             |
| 13          | 057283      | Pivot Pin Bracket - Left .....   | 1           |             | 058488      | Belt Guide Divider.....         | 10          |
|             | 650433      | HHCS 1/2 x 1-1/4 .....           | 4           |             |             | (Used before Serial #3678)      |             |
|             |             | (4) 1/2 HN - (4) LW              |             |             |             | (20) 1/2 HN                     |             |
| 14          | 057455      | Hydraulic Hose - Upper 3/8 x 140 | 2           |             |             |                                 |             |
| 15          | 057456      | Hydraulic Hose - Lower 3/8 x 108 | 2           |             |             |                                 |             |
| 16          | 057457      | Cylinder Pin .....               | 4           |             |             |                                 |             |
|             | 655019      | Cotter Pin 3/16 x 1-1/2 .....    | 4           |             |             |                                 |             |
| 17          | 057459      | Pressure Gauge.....              | 1           |             |             |                                 |             |
| 18          | 057460      | Tractor Hose 1/2 x 138 .....     | 2           |             |             |                                 |             |
| 19          | 057950      | Spacer .....                     | 2           |             |             |                                 |             |
| 20          | 057951      | Belt Guide Bracket - Right.....  | 1           |             |             |                                 |             |
|             | 650430      | HHCS 3/8 x 1 .....               | 2           |             |             |                                 |             |
|             |             | (2) 3/8 HN - (2) LW              |             |             |             |                                 |             |

- A** To order Hydraulic Cylinder Seal Kit, specify part #057148.
- B** For Replacement, order part #058884.
- C** See page 19 for Hydraulic Valve Service Parts.
- D** For Replacement, order part #058963.

# RB1500 - UPPER ROLLERS

IMPORTANT: Order by Part Number - DO NOT use Illustration Reference Numbers.



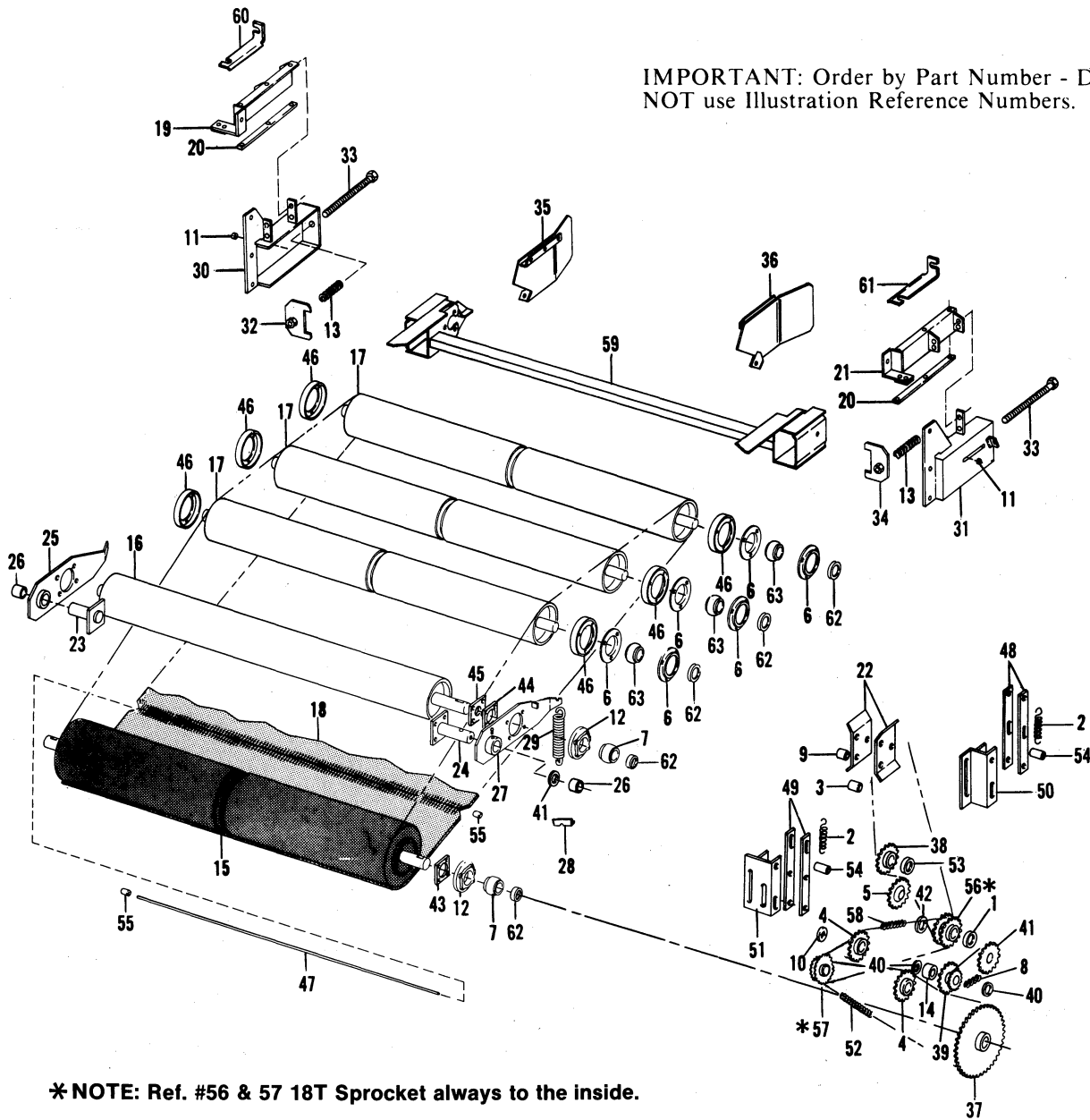
## RB1500 - UPPER ROLLERS

| Ref. No. | Part No.                     | Part Name                     | No. Req. | Ref. No. | Part No.               | Part Name                       | No. Req. |
|----------|------------------------------|-------------------------------|----------|----------|------------------------|---------------------------------|----------|
| 1        | H275                         | Bearing Retainer .....        | 20       | 27       | 057969                 | Roll Shield .....               | 4        |
| 2        | H8334                        | Bearing Retainer .....        | 4        |          | 650393                 | HHCS 5/16 x 3/4 .....           | 12       |
| 3        | B11162B                      | Shim Washer .....             | 2        |          | (12) 5/16 HN - (12) LW |                                 |          |
| 4        | S16215                       | Bearing Retainer .....        | 4        | 28       | 057971                 | Roll Shield .....               | 14       |
| 5        | 056406                       | Bale Starter Roller.....      | 1        |          | 650472                 | HHCS 5/16 x 7/8 .....           | 30       |
| 6        | 056407                       | Tailgate Roller .....         | 5        |          | (30) 5/16 HLN - (6) PW |                                 |          |
| 7        | 056408                       | Belt Tightener Roller.....    | 2        | 29       | 058031                 | Drive Roller .....              | 1        |
| 8        | 056409                       | Drive Roller - Lower.....     | 1        |          | 655537                 | Woodruff Key 5/16 x 1-1/4.....  | 1        |
|          | 655539                       | Woodruff Key 1/4 x 1-1/8..... | 1        | 30       | 058156                 | Spacer .....                    | 1        |
| 9        | 056440                       | Idler Roller .....            | 1        | 31       | 058309                 | Spacer .....                    | 4        |
| 10       | 056479A                      | Baler Belt - Upper .....      | 9        | 32       | 058389                 | Bearing Spacer .....            | 2        |
| 11       | 057179                       | Ball Bearing .....            | 2        | 33       | 058508                 | Roll Shield - Right .....       | 1        |
| 12       | 057185                       | Spacer .....                  | 4        |          | 650393                 | HHCS 5/16 x 3/4 .....           | 2        |
| 13       | 057186                       | Spacer .....                  | 4        |          | (2) 5/16 HN - (2) LW   |                                 |          |
| 14       | 057187                       | Upper Link .....              | 2        | 34       | 058510                 | Roll Shield - Left .....        | 1        |
|          | 650396                       | HHCS 3/8 x 1-1/4 .....        | 2        |          | 650393                 | HHCS 5/16 x 3/4 .....           | 2        |
|          | (2) 3/8 HFN - (2) PW         |                               |          |          | (2) 5/16 HN - (2) LW   |                                 |          |
| 15       | 057188                       | Bale Starter.....             | 1        | 35       | 058537                 | Spring Guide Rod Assembled .... | 2        |
|          | 650396                       | HHCS 3/8 x 1-1/4 .....        | 4        |          | 650579                 | HHCS 3/8 x 1-3/4 .....          | 2        |
|          | (4) 3/8 HN - (2) PW - (4) LW |                               |          |          | 650535                 | HHCS 3/8 x 2-1/4 .....          | 2        |
| 16       | 057194                       | Bale Starter Roll Shaft ..... | 1        |          | (4) 3/8 HFN - (4) PW   |                                 |          |
|          | 650198                       | S-L SHSS 1/4 x 3/8.....       | 1        | 36       | 058766                 | Ticor Roller .....              | 1        |
|          | 650322                       | S-L SHSS 1/4 x 5/16.....      | 1        |          | 655539                 | Woodruff Key 1/4 x 1-1/8.....   | 1        |
| 17       | 057195                       | Starter Roll Support .....    | 2        | 37       | 520062                 | Ball Bearing .....              | 2        |
| 18       | 057202                       | Stabilizer Shaft.....         | 1        | 38       | 520063                 | Ball Bearing .....              | 19       |
|          | 655533                       | Woodruff Key 5/16 x 1 .....   | 2        | 39       | 520064                 | Ball Bearing .....              | 2        |
| 19       | 057275                       | Roller - Lower .....          | 1        | 40       | 520065                 | Ball Bearing .....              | 2        |
| 20       | 057276                       | Roller Shaft .....            | 1        | 41       | 520084                 | Bearing Lock Collar .....       | 21       |
| 21       | 057515                       | Bale Starter Spring .....     | 2        | 42       | 520085                 | Bearing Lock Collar .....       | 4        |
| 22       | 057947                       | Spacer .....                  | 2        | 43       | 520090                 | Bearing Lock Collar .....       | 2        |
| 23       | 057957                       | Bearing Retainer .....        | 2        | 44       | 520093                 | Bearing Lock Collar .....       | 1        |
| 24       | 057962                       | Roll Shield - Right .....     | 1        | 45       | 520158                 | Ball Bearing .....              | 1        |
| 25       | 057965                       | Roll Shield - Left.....       | 1        |          |                        |                                 |          |
|          | 650430                       | HHCS 3/8 x 1 .....            | 3        |          |                        |                                 |          |
|          | (3) 3/8 HN - (3) LW          |                               |          |          |                        |                                 |          |
| 26       | 057967                       | Roll Shield - Left.....       | 2        |          |                        |                                 |          |
|          | 650430                       | HHCS 3/8 x 1 .....            | 6        |          |                        |                                 |          |
|          | (6) 3/8 HN - (6) LW          |                               |          |          |                        |                                 |          |

**A** For Repair, order (2) 058396 Belt Lacing and (1) 058397 Connecting Pin or 901634 Kit including: (18) 058396 & (9) 058397. To order 36" Dutchman (Belt Splice), specify part #059211.

# RB1500 - LOWER ROLLERS

IMPORTANT: Order by Part Number - DO NOT use Illustration Reference Numbers.



\* NOTE: Ref. #56 & 57 18T Sprocket always to the inside.

| Ref. No. | Part No.    | Part Name   | No. Req. | Ref. No. | Part No.             | Part Name                | No. Req. |
|----------|-------------|---|----------|----------|----------------------|--------------------------|----------|
| 1        | 13H59       | Set Collar  | 1        | 12       | 055986               | Bearing Housing          | 4        |
|          | 650206      | SHSS 5/16 x 1/2   | 2        |          | 570002               | Grease Fitting           | 1        |
| 2        | 17H349      | Spring  | 2        |          | 570004               | Grease Fitting           | 2        |
| 3        | H6053B      | Spacer  | 3        |          | 570010               | Grease Fitting           | 1        |
| 4        | H7812       | Idler Sprocket (15T)  | 2        |          | 650533               | HHCS 3/8 x 1-1/2         | 8        |
| 5        | D9130       | Idler Sprocket (17T)  | 1        |          | 650579               | HHCS 3/8 x 1-3/4         | 4        |
| 6        | S16215      | Bearing Retainer  | 12       |          | (4) 3/8 HN - (12) LW |                          |          |
|          | 650430      | HHCS 3/8 x 1  | 18       | 13       | 056344               | Spring                   | 2        |
|          | (18) 3/8 LW |   |          | 14       | 056345               | Needle Bearing           | 2        |
| 7        | 041499      | Ball Bearing  | 4        | 15       | 056405               | Belt Drive Roller        | 1        |
| 8        | 042166      | Chain (#50) of 42 Links Including One (500057) Connector Link | 1        |          | 655536               | Woodruff Key 3/8 x 1-1/4 | 1        |
|          |             |   |          |          | 655521               | Tapered Key 3/8 x 2      | 1        |
| 9        | 043192      | Spacer  | 1        | 16       | 056410               | Conditioner Roller       | 1        |
| 10       | 048459      | Washer  | 1        |          | 655536               | Woodruff Key 3/8 x 1-1/4 | 1        |
| 11       | 054543      | Spacer  | 2        | 17       | 056411               | Belt Idler Roller        | 3        |



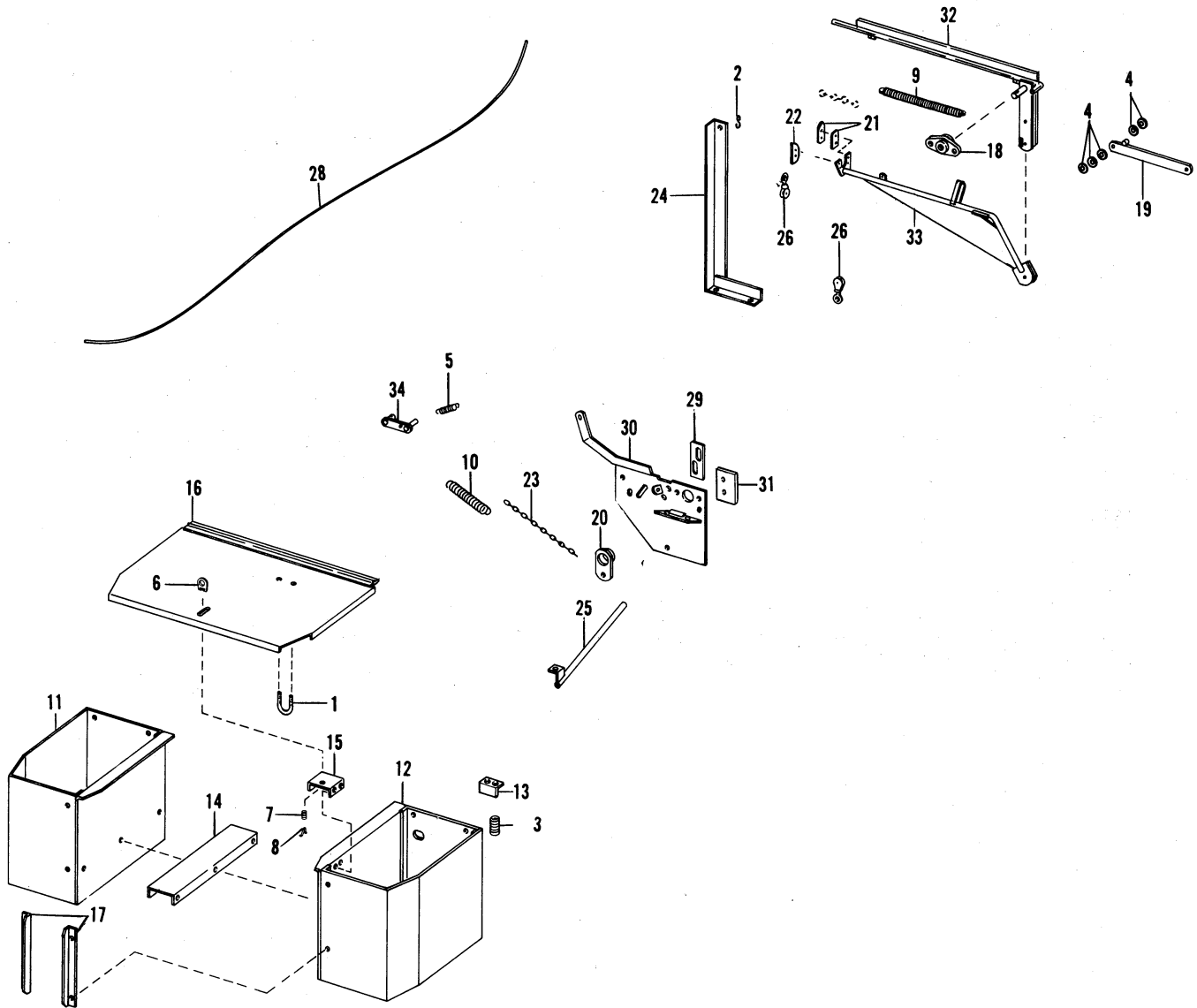
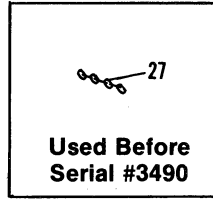
## RB1500 - LOWER ROLLERS

| Ref. No. | Part No. | Part Name                         | No. Req.  | Ref. No. | Part No.                       | Part Name                          | No. Req. |
|----------|----------|-----------------------------------|-----------|----------|--------------------------------|------------------------------------|----------|
| 18       | 056480A  | Baler Apron .....                 | 1         | 45       | 057961                         | Conditioner Roller Shield .....    | 2        |
| 19       | 057113   | Cam Track - Right .....           | 1         |          | 650508                         | HHCS 3/8 x 1-3/4 .....             | 8        |
|          | 650430   | HHCS 3/8 x 1 .....                | 1         |          | (8) 3/8                        | HN - (8) LW                        |          |
|          | 650396   | HHCS 3/8 x 1-1/4 .....            | 2         | 46       | 058329                         | Shield .....                       | 6        |
|          | (3) 3/8  | HN - (1) PW - (3) LW              |           | 47       | 058399                         | Connecting Pin.....                | 1        |
| 20       | 057119   | Cam Wear Plate.....               | 2         | 48       | 058440                         | Idler Arm .....                    | 2        |
|          | 650404   | FHSCS 3/8 x 1-1/4 .....           | 6         |          | 650308                         | HHCS 1/2 x 2-1/2 .....             | 1        |
|          | (6) 3/8  | HN - (6) LW                       |           |          | (1) 1/2                        | HN - (2) PW - (1) LW               |          |
| 21       | 057121   | Cam Track - Left.....             | 1         | 49       | 058441                         | Idler Arm .....                    | 2        |
|          | 650430   | HHCS 3/8 x 1 .....                | 1         |          | 650308                         | HHCS 1/2 x 2-1/2 .....             | 1        |
|          | 650396   | HHCS 3/8 x 1-1/4 .....            | 2         |          | (1) 1/2                        | HN - (2) PW - (1) LW               |          |
|          | (3) 3/8  | HN - (1) PW - (3) LW              |           | 50       | 058442                         | Idler Bracket.....                 | 1        |
| 22       | 057122   | Chain Guide .....                 | 2         |          | 650073                         | HHCS 3/8 x 2-1/2 .....             | 2        |
|          | 650363   | HHCS 3/8 x 1-1/2 .....            | 3         |          | (2) 3/8                        | HN - (2) HLN - (1) PW              |          |
|          | (3) 3/8  | HN - (3) LW                       |           | 51       | 058445                         | Idler Bracket.....                 | 1        |
| 23       | 057160   | Jack Shaft - Right .....          | 1         |          | 650073                         | HHCS 3/8 x 2-1/2 .....             | 2        |
|          | 655023   | Cotter Pin 3/16 x 2 .....         | 1         |          | 650704                         | CB 3/8 x 1 .....                   | 2        |
| 24       | 057163   | Jack Shaft - Left .....           | 1         |          | (2) 3/8                        | HN - (2) HLN - (1) PW - (2) LW     |          |
|          | 570002   | Grease Fitting.....               | 1         | 52       | 058481                         | Chain (#60) of 118 Links Including |          |
| 25       | 057165   | Roll Arm - Right.....             | 1         |          | One (500160) Connector Link .. | 1                                  |          |
|          | 570004   | Grease Fitting.....               | 1         | 53       | 058489                         | Set Collar .....                   | 1        |
| 26       | 057168   | Bushing .....                     | 2         |          | 650322                         | S-L SHSS 1/4 x 5/16.....           | 2        |
| 27       | 057171   | Roll Arm - Left .....             | 1         | 54       | 058493                         | Idler Bracket Spacer .....         | 2        |
|          | 570004   | Grease Fitting.....               | 1         | 55       | 058591                         | Swedging Sleeve.....               | 2        |
| 28       | 057173   | Spring Bracket .....              | 2         | 56       | 058870                         | Double Sprocket (18T-21T) .....    | 1        |
|          | 650486   | HHCS 5/16 x 3/4 .....             | 4         |          | (Used after Serial #1662)      |                                    |          |
|          | (4) 5/16 | HN - (4) LW                       |           |          | 18T Sprocket to Inside         |                                    |          |
| 29       | 057174   | Conditioner Roller Spring .....   | 2         |          | 058583                         | Double Sprocket (15T-18T) .....    | 1        |
| 30       | 057218   | Tail - Right.....                 | 1         |          | (Used before Serial #1663)     |                                    |          |
|          | 650430   | HHCS 3/8 x 1 .....                | 2         |          | 18T Sprocket to Inside         |                                    |          |
|          | 650556   | HHCS 1/2 x 2-3/4 .....            | 2         | 57       | 058871                         | Double Sprocket (18T-21T) .....    | 1        |
|          | (3) 3/8  | HN - (1) PW - (3) LW              |           |          | (Used after Serial #1662)      |                                    |          |
|          | (2) 1/2  | HN - (2) LW                       |           |          | 18T Sprocket to Inside         |                                    |          |
|          | (1) 5/8  | PW                                |           |          | 058584                         | Double Sprocket (15T-18T) .....    | 1        |
| 31       | 057227   | Tail - Left .....                 | 1         |          | (Used before Serial #1663)     |                                    |          |
|          | 650430   | HHCS 3/8 x 1 .....                | 2         |          | 18T Sprocket to Inside         |                                    |          |
|          | 650556   | HHCS 1/2 x 2-1/2 .....            | 2         |          | 650215                         | S-L SHSS 3/8 x 1/2.....            | 2        |
|          | (3) 3/8  | HN - (1) PW - (3) LW              |           | 58       | 058872                         | Chain (#60) of 82 Links Including  |          |
|          | (2) 1/2  | HN - (2) LW                       |           |          | One (500160) Connector Link .. | 1                                  |          |
|          | (1) 5/8  | PW                                |           |          | (Used after Serial #1662)      |                                    |          |
| 32       | 057230   | Guide Take-up - Right .....       | 1         |          | 058580                         | Chain (#60) of 76 Links Including  |          |
| 33       | 057232   | Take-up Bolt - 5/8 x 14-1/2 ..... | 2         |          | One (500160) Connector Link .  | 1                                  |          |
| 34       | 057233   | Guide Take-up - Left .....        | 1         |          | (Used before Serial #1663)     |                                    |          |
| 35       | 057234   | Gate Guide - Right .....          | 1         | 59       | 058905                         | Belt Take-up.....                  | 1        |
|          | 650396   | HHCS 3/8 x 1-1/4 .....            | 1         |          | (Used after Serial #1613)      |                                    |          |
|          | (1) 3/8  | HN - (1) LW                       |           |          | 057207                         | Belt Take-up.....                  | 1        |
| 36       | 057238   | Gate Guide - Left.....            | 1         |          | (Used before Serial #1614)     |                                    |          |
|          | 650396   | HHCS 3/8 x 1-1/4 .....            | 1         |          | 650433                         | HHCS 1/2 x 1-1/4 .....             | 2        |
|          | (1) 3/8  | HN - (1) LW                       |           |          | (2) 1/2                        | HN - (2) PW - (2) LW               |          |
| 37       | 057337   | Sprocket (42T) .....              | 1         | 60       | 058911                         | Filler Plate - Right .....         | 1        |
|          | 650215   | S-L SHSS 3/8 x 1/2.....           | 2         |          | (Used after Serial #1613)      |                                    |          |
| 38       | 057344   | Sprocket (18T) .....              | 1         |          | 650490                         | HHCS 3/8 x 1 .....                 | 2        |
| 39       | 057346   | Double Sprocket (15T-17T) .....   | 1         | 61       | 058912                         | Filler Plate - Left.....           | 1        |
| 40       | 057350   | Shim Washer - 1/8 .....           | As Req'd. |          | (Used after Serial #1613)      |                                    |          |
|          | 057351   | Shim Washer - 1/16 .....          | As Req'd. |          | 650490                         | HHCS 3/8 x 1 .....                 | 2        |
| 41       | 057355   | Sprocket (24T) .....              | 1         | 62       | 520093                         | Bearing Lock Collar .....          | 10       |
|          | 650204   | S-L SHSS 5/16 x 3/8.....          | 2         | 63       | 520158                         | Ball Bearing .....                 | 6        |
| 42       | 057617   | Shim Washer .....                 | 1         |          |                                |                                    |          |
| 43       | 057958   | Roll Plate .....                  | 2         |          |                                |                                    |          |
| 44       | 057960   | Conditioner Roller Cover.....     | 2         |          |                                |                                    |          |

A For Repair, order (10) 058398 Belt Lacing, (1) 058399 Connecting Pin and (2) 058391 Swedging Sleeve.

# RB1500 - TWINEBOX & TIE

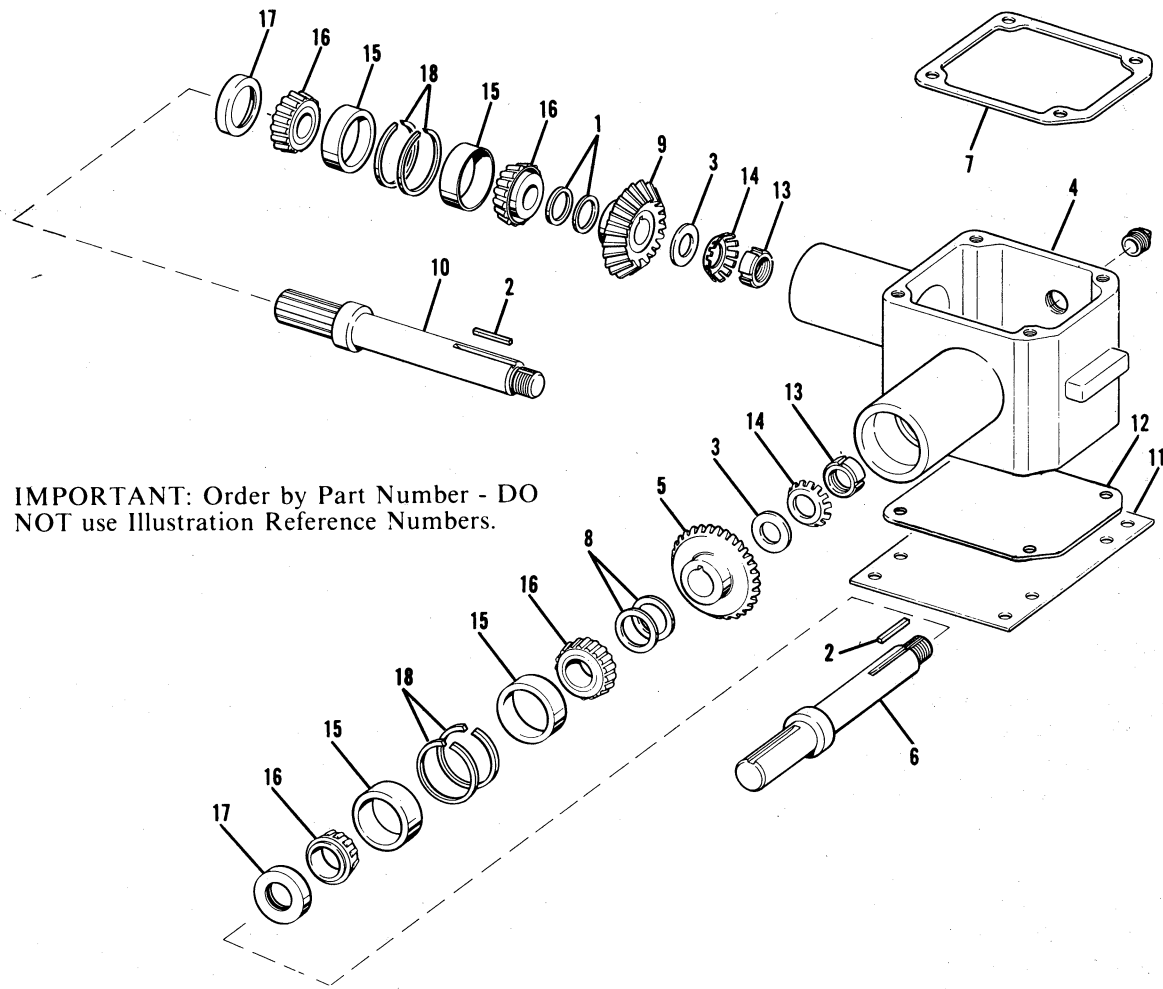
IMPORTANT: Order by Part Number - DO NOT use Illustration Reference Numbers.



## RB1500 - TWINEBOX & TIE

| Ref. No. | Part No. | Part Name                  | No. Req. | Ref. No. | Part No.                     | Part Name                  | No. Req. |
|----------|----------|----------------------------|----------|----------|------------------------------|----------------------------|----------|
| 1        | B11069   | U-Bolt                     | 1        | 22       | 057920                       | Knife Spacer               | 1        |
|          |          | (4) 5/16 HN - (2) LW       |          | 23       | 058386                       | Twine Tie Chain (16 Links) | 1        |
| 2        | B11433A  | S-Hook                     | 1        |          | 650426                       | HHCS 1/4 x 1-1/4           | 1        |
| 3        | M12361   | Spring                     | 2        |          | (2) 1/4 HN - (1) LW          |                            |          |
| 4        | 047837   | Washer                     | 5        | 24       | 058332                       | Pulley Support             | 1        |
| 5        | 054078   | Extension Spring           | 1        |          | 650495                       | HHCS 1/2 x 1-1/4           | 2        |
| 6        | 055690   | Latch Handle               | 1        |          | (2) 1/2 LW                   |                            |          |
| 7        | 055691   | Latch Spring               | 1        | 25       | 058511                       | Twine Guide                | 1        |
| 8        | 055692   | Latch Clip                 | 1        | 26       | 058539                       | Pulley                     | 2        |
| 9        | 056336   | Extension Spring           | 1        |          | 650545                       | HHCS 5/16 x 1-1/4          | 1        |
|          |          | (Used after Serial #2982)  |          |          | (2) 5/16 HN - (2) LW         |                            |          |
|          | 058325   | Extension Spring           | 1        | 27       | 058566                       | Chain                      | 1        |
|          |          | (Used before Serial #2983) |          |          | (Used before Serial #3490)   |                            |          |
| 10       | 057174   | Cord Spring                | 1        | 28       | 058778                       | Control Cord               | 1        |
| 11       | 057414   | Twinebox - Right           | 1        | 29       | 058916                       | Adjustment Plate           | 1        |
|          | 650428   | HHCS 5/16 x 5/8            | 9        |          | (Used after Serial #1652)    |                            |          |
|          | 650472   | HHCS 5/16 x 7/8            | 1        |          | 650430                       | HHCS 3/8 x 1               | 2        |
|          |          | (10) 5/16 HN - (10) LW     |          |          | (2) 3/8 HN - (2) PW - (2) LW |                            |          |
| 12       | 057418   | Twinebox - Left            | 1        | 30       | 059468                       | Main Plate                 | 1        |
|          | 650449   | HHCS 1/4 x 2-1/2           | 2        |          | (Used after Serial #2982)    |                            |          |
|          | 650485   | HHCS 5/16 x 5/8            | 9        |          | 057891                       | Main Plate                 | 1        |
|          | 650472   | HHCS 5/16 x 7/8            | 1        |          | (Used before Serial #2983)   |                            |          |
|          |          | (4) 1/4 HLN                |          |          | 650396                       | HHCS 3/8 x 1               | 2        |
|          |          | (10) 5/16 HN - (10) LW     |          |          | (3) 3/8 HN - (1) LW          |                            |          |
| 13       | 057422   | Twine Tension Angle        | 1        |          | (2) 1/2 LW                   |                            |          |
|          | 650449   | HHCS 1/4 x 2-1/2           | 2        | 31       | 059469                       | Stop                       | 1        |
|          |          | (2) 1/4 HLN - (2) PW       |          |          | (Used after Serial #2982)    |                            |          |
| 14       | 057424   | Twinebox Guard - Lower     | 1        |          | 650491                       | HHCS 3/8 x 1-1/4           | 2        |
| 15       | 057425   | Catch Bracket              | 1        |          | (2) 3/8 HN - (2) LW          |                            |          |
| 16       | 057446   | Twinebox Cover             | 1        | 32       | 059473                       | Twine Tube                 | 1        |
|          | 650485   | HHCS 5/16 x 5/8            | 2        |          | (Used after Serial #2982)    |                            |          |
|          |          | (2) 5/16 HN - (2) LW       |          |          | 057899                       | Twine Tube                 | 1        |
| 17       | 057516   | Guard Angle                | 2        |          | (Used before Serial #2983)   |                            |          |
|          | 650485   | HHCS 5/16 x 5/8            | 4        |          | 650392                       | HHCS 5/16 x 1-1/2          | 2        |
|          |          | (4) 5/16 HN - (4) LW       |          |          | (2) 5/16 HLN                 |                            |          |
| 18       | 057691   | Twine Pivot Bearing        | 1        | 33       | 059474                       | Knife Arm                  | 1        |
|          | 570002   | Grease Fitting             | 1        |          | (Used after Serial #2982)    |                            |          |
|          | 650396   | HHCS 3/8 x 1               | 2        |          | 057894                       | Knife Arm                  | 1        |
| 19       | 057904   | Tie Rope Link              | 1        |          | (Used before Serial #2983)   |                            |          |
| 20       | 057907   | Pivot Link                 | 1        | 34       | 059475                       | Cam Follower               | 1        |
|          | 650341   | HHCS 5/16 x 1-3/4          | 1        |          | (Used after Serial #2982)    |                            |          |
|          |          | (1) 5/16 HLN               |          |          | 057914                       | Cam Follower               | 1        |
| 21       | 057919   | Twine Knife                | 2        |          | (Used before Serial #2983)   |                            |          |
|          | 650512   | HHCS 1/4 x 3/4             | 2        |          | (1) 1/2 PW                   |                            |          |
|          | 650642   | HHCS 1/4 x 1               | 2        |          |                              |                            |          |
|          |          | (4) 1/4 HN - (4) LW        |          |          |                              |                            |          |

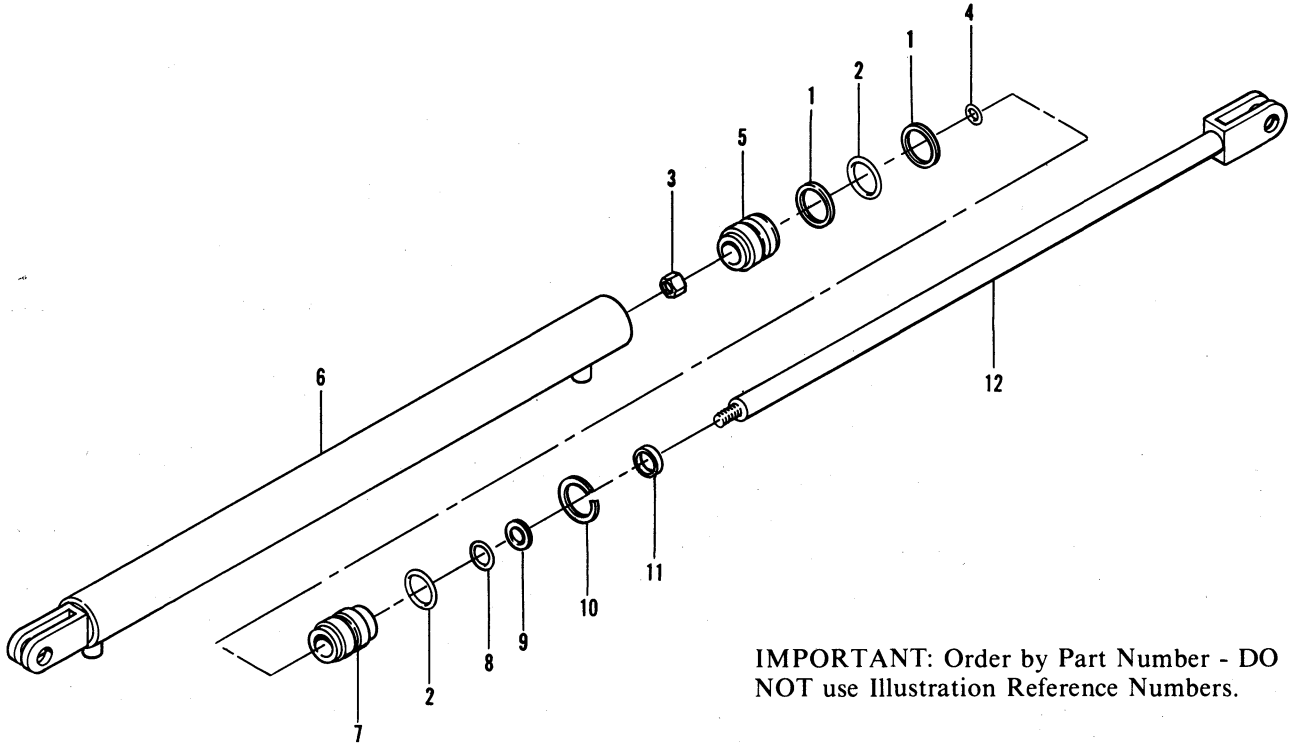
# RB1500 - TRANSMISSION



IMPORTANT: Order by Part Number - DO NOT use Illustration Reference Numbers.

| Ref. No. | Part No. | Part Name                        | No. Req. | Ref. No. | Part No. | Part Name                        | No. Req. |
|----------|----------|----------------------------------|----------|----------|----------|----------------------------------|----------|
|          | 057285   | Transmission Assembled.....      | 1        | 9        | C14099   | Transmission Gear (17T) .....    | 1        |
|          |          | Consists of:                     |          | 10       | 057286   | Input Shaft 1-3/8 x 10-7/16..... | 1        |
| 1        | 3H55A    | Shim Washer .....                | 2        | 11       | 057288   | Transmission Cover.....          | 1        |
| 2        | H6098A   | Square Key 3/8 x 3/8 x 1-1/2.... | 2        |          | 650432   | HHCS 1/2 x 1 .....               | 4        |
| 3        | H7667    | Transmission Washer .....        | 2        |          | 650433   | HHCS 1/2 x 1-1/4 .....           | 2        |
|          |          | (Used after Serial #4200)        |          |          |          | (2) 1/2 HN - (1) PW - (6) LW     |          |
|          | C14095   | Transmission Washer .....        | 2        | 12       | 059529   | Bottom Gasket .....              | 1        |
|          |          | (Used before Serial #4201))      |          | 13       | 520000   | Lock Nut .....                   | 2        |
| 4        | C14000B  | Transmission Housing.....        | 1        | 14       | 520001   | Lock Washer .....                | 2        |
|          | 660005   | Pipe Plug - 3/4.....             | 1        | 15       | 520046   | Bearing Cup .....                | 4        |
| 5        | C14002A  | Transmission Gear (23T) .....    | 1        | 16       | 520047   | Bearing Cone .....               | 4        |
| 6        | C14003B  | Drive Shaft 1-3/8 x 9-7/16 ..... | 1        | 17       | 530000   | Oil Seal .....                   | 2        |
|          | 655537   | Woodruff Key 5/16 x 1-1/4....    | 1        | 18       | 540002   | Snap Ring.....                   | 4        |
| 7        | C14008A  | Cover Gasket .....               | 1        |          |          |                                  |          |
| 8        | C14054A  | Shim Washer .....                | 2        |          |          |                                  |          |

## RB1500 - HYDRAULIC CYLINDER

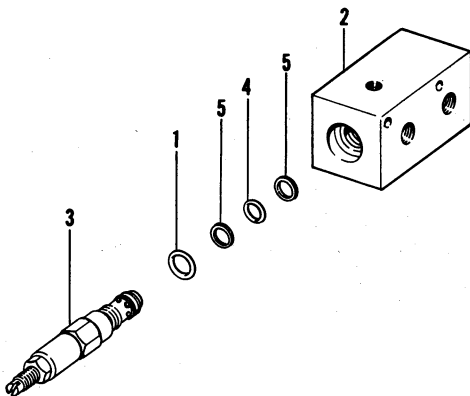


**IMPORTANT:** Order by Part Number - DO NOT use Illustration Reference Numbers.

| Ref. No. | Part No. | Part Name                        | No. Req. | Ref. No. | Part No. | Part Name            | No. Req. |
|----------|----------|----------------------------------|----------|----------|----------|----------------------|----------|
|          | 056441A  | Hydraulic Cylinder Assembled ... | 2        | 7        | 057154   | Cylinder Head .....  | 1        |
|          |          | Consists of:                     |          | 8        | 057155   | O-Ring.....          | 1        |
| 1        | 055073   | Back-up Washer.....              | 2        | 9        | 057156   | Back-up Washer.....  | 1        |
| 2        | 055074   | O-Ring.....                      | 2        | 10       | 057157   | Snap Ring.....       | 1        |
| 3        | 057149   | Retainer Nut.....                | 1        | 11       | 057158   | Dust Seal.....       | 1        |
| 4        | 057150   | O-Ring.....                      | 1        | 12       | 057159   | Cylinder Shaft ..... | 1        |
| 5        | 057151   | Piston.....                      | 1        |          |          |                      |          |
| 6        | 057153   | Cylinder Barrel.....             | 1        |          |          |                      |          |

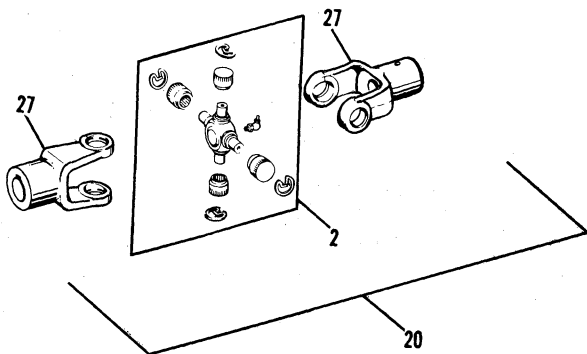
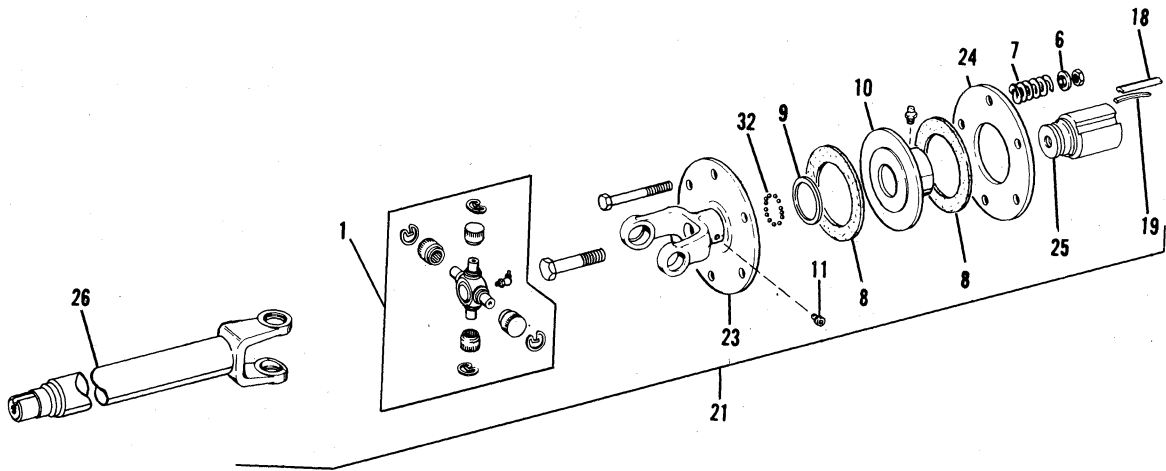
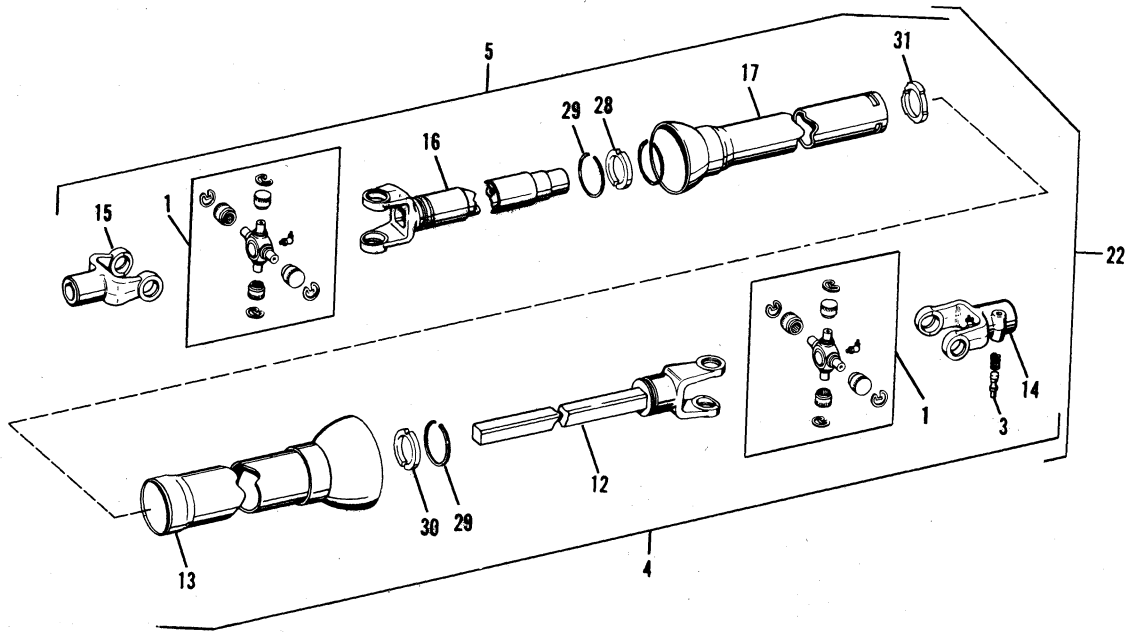
**A** To order Cylinder Seal Kit, specify part #057148.

## RB1500 - HYDRAULIC VALVE



| Ref. No. | Part No. | Part Name                       | No. Req. |
|----------|----------|---------------------------------|----------|
|          | 058963   | Hydraulic Valve .....           | 1        |
|          |          | Consists of:                    |          |
| 1        | 055898   | O-Ring 15/16 O.D. ....          | 1        |
| 2        | 058964   | Relief Valve Body .....         | 1        |
| 3        | 058965   | Valve Cartridge Assembled ..... | 1        |
| 4        | 058966   | O-Ring 5/8 O.D. ....            | 1        |
| 5        | 059390   | Back-up Ring .....              | 2        |

# RB1500 - UNIVERSAL DRIVES



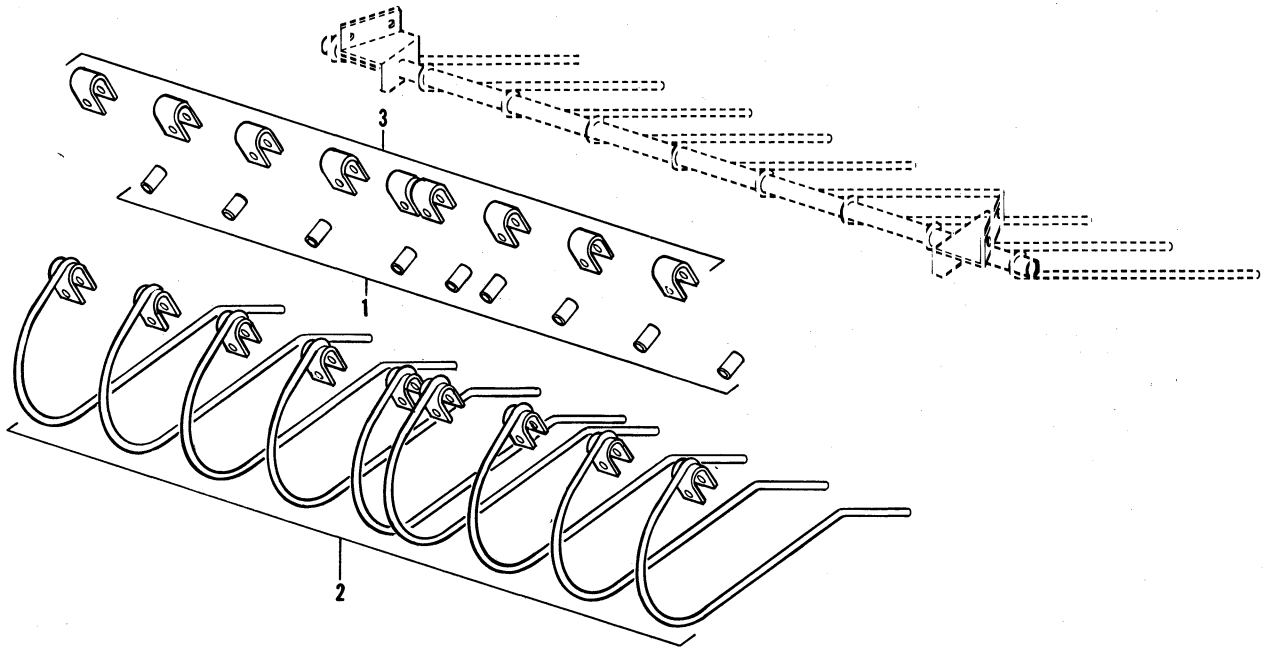
**IMPORTANT: Order by Part Number - DO NOT use Illustration Reference Numbers.**

## RB1500 - UNIVERSAL DRIVES

| Ref. No. | Part No.   | Part Name                          | No. Req. | Ref. No. | Part No.    | Part Name                       | No. Req. |
|----------|------------|------------------------------------|----------|----------|-------------|---------------------------------|----------|
| 1        | 045327     | Center Cross Kit .....             | 3        | 18       | 055371      | Drive Key .....                 | 2        |
| 2        | 045857     | Center Cross Kit .....             | 1        | 19       | 055372      | Leaf Spring .....               | 2        |
| 3        | 053865     | Lock Pin w/ Spring .....           | 1        | 20       | 056343      | Universal Joint .....           | 1        |
| 4        | 054283     | Universal Joint w/ Sq. Shaft ..... | 1        | 21       | 056351      | Universal Joint w/ Clutch ..... | 1        |
|          | 570014     | Grease Fitting .....               | 1        |          | 570002      | Grease Fitting .....            | 2        |
| 5        | 054284     | Universal Joint w/ Sq. Tube .....  | 1        |          | 570014      | Grease Fitting .....            | 1        |
|          | 570014     | Grease Fitting .....               | 1        | 22       | 058532      | Universal Joint .....           | 1        |
| 6        | 055341     | Spring Washer .....                | 6        |          | 570014      | Grease Fitting .....            | 2        |
| 7        | 055342     | Clutch Spring .....                | 6        | 23       | 058622      | Clutch Yoke .....               | 1        |
| 8        | 055343     | Friction Disc .....                | 2        |          | 650379      | HHCS 1/2 x 3 .....              | 1        |
| 9        | 055344     | Yoke Seal .....                    | 1        | 24       | 058623      | Pressure Plate .....            | 1        |
| 10       | 055347     | Friction Disc Spacer .....         | 1        |          | 650077      | HHCS 3/8 x 3-1/2 .....          | 6        |
|          | 570002     | Grease Fitting .....               | 2        |          | (6) 3/8 HLN |                                 |          |
| 11       | 055348     | Retaining Screw .....              | 1        | 25       | 058624      | Spline Hub .....                | 1        |
|          | (1) 3/8 LW |                                    |          | 26       | 058625      | Stub Tube and Yoke .....        | 1        |
| 12       | 055353     | Yoke And Shaft .....               | 1        | 27       | 058626      | Yoke 1-3/8 Bore .....           | 2        |
| 13       | 055354     | Female Guard .....                 | 1        | 28       | 510023      | Nylon Bearing .....             | 1        |
| 14       | 055355     | Tractor Yoke - 6 Spline .....      | 1        | 29       | 510100      | Bearing Retainer .....          | 4        |
| 15       | 055356     | Yoke 1-5/16 Bore .....             | 1        | 30       | 510202      | Nylon Bearing .....             | 1        |
| 16       | 055357     | Yoke and Tube .....                | 1        | 31       | 510215      | Nylon Centralizer .....         | 1        |
| 17       | 055358     | Male Guard .....                   | 1        | 32       | 666000      | Steel Ball - 5/16 Dia. ....     | 14       |

## RB1500 - OPTIONS & ACCESSORIES

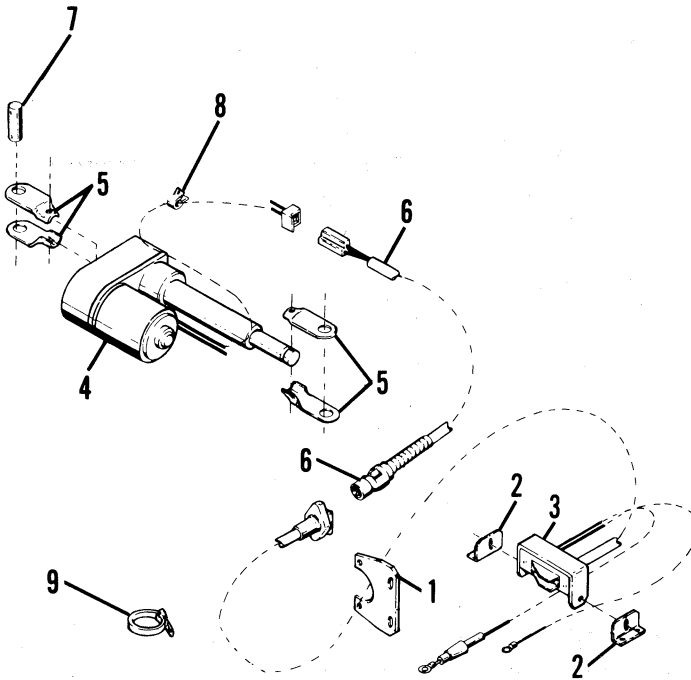
### STALK HOLD-DOWN KIT 901539



| Ref. No. | Part No.             | Part Name                 | No. Req. | Ref. No. | Part No.             | Part Name           | No. Req. |
|----------|----------------------|---------------------------|----------|----------|----------------------|---------------------|----------|
|          | 901539               | Stalk Hold-down Kit ..... | 1        | 3        | 058841               | Clamp .....         | 9        |
|          |                      | Consists of:              |          |          | 650568               | HHCS 5/16 x 2 ..... | 9        |
|          |                      |                           |          |          | (9) 5/16 HN - (9) LW |                     |          |
| 1        | 043616               | Tine Spacer .....         | 9        |          |                      |                     |          |
| 2        | 058839               | Tine Assembled .....      | 9        |          |                      |                     |          |
|          | 650568               | HHCS 5/16 x 2 .....       | 9        |          |                      |                     |          |
|          | (9) 5/16 HN - (9) LW |                           |          |          |                      |                     |          |

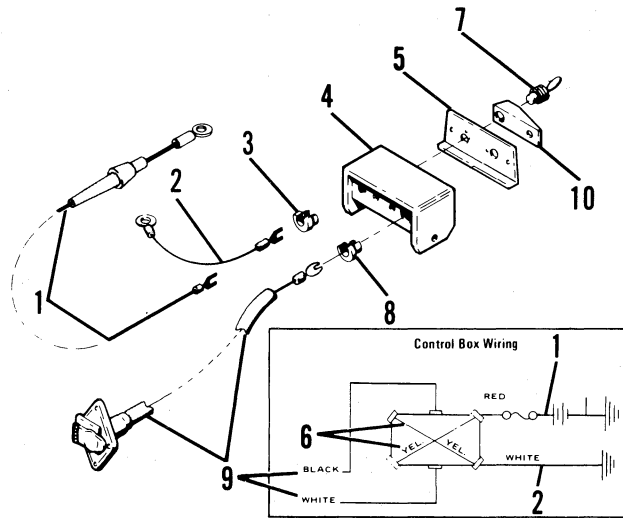
# RB1500 - OPTIONS & ACCESSORIES

## 801143 ELECTRIC TWINE WRAPPING KIT



| Ref. No. | Part No. | Part Name                               | No. Req. |
|----------|----------|---|----------|
|          | 801143   | Electric Twine Wrapping Kit .....       | 1        |
|          |          | Consists of:                            |          |
| 1        | 059052   | Receptacle Bracket .....                | 1        |
|          | 650487   | HHCS 5/16 x 1 .....                     | 2        |
|          |          | (2) 5/16 HN 653007 - (2) 5/16 LW 654024 |          |
|          |          | (2) 5/16 PW 654004                      |          |
| 2        | 059053   | Mounting Bracket .....                  | 2        |
|          | 650448   | HHCS 1/4 x 3/4 .....                    | 4        |
|          |          | (4) 1/4 HN 653005 - (4) 1/4 LW 654022   |          |
| 3        | 060375   | Control Box - Assembled .....           | 1        |
|          | 650260   | PTHMS 1/4 x 1/2 .....                   | 2        |
|          |          | (2) 1/4 HN 653005 - (2) 1/4 LW 654022   |          |
| 4        | 061058   | Actuator .....                          | 1        |
| 5        | 061059   | Yoke Clip .....                         | 4        |
|          | 650585   | HHCS 1/2 x 2 .....                      | 2        |
|          |          | (2) 1/2 HLN 650806                      |          |
| 6        | 061060   | Power Cable .....                       | 1        |
|          | 650448   | HHCS 1/4 x 3/4 .....                    | 2        |
|          |          | (2) 1/4 HN 653005 - (2) 1/4 LW 654022   |          |
| 7        | 061061   | Cylinder Pin .....                      | 1        |
|          | 655024   | Cotter Pin 3/16 x 2 .....               | 2        |
| 8        | 061062   | Wire Clamp .....                        | 5        |
|          | 650490   | HHCS 3/8 x 1 .....                      | 3        |
|          |          | (3) 3/8 HLN 650805 - (3) 3/8 PW 654006  |          |
| 9        | 063592   | Wire Wrap .....                         | 1        |

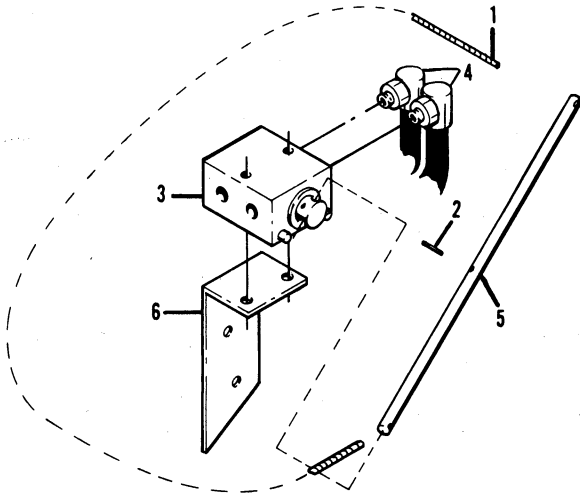
## 060375 CONTROL BOX (Component Breakdown)



| Ref. No. | Part No. | Part Name                             | No. Req. |
|----------|----------|---------------------------------------|----------|
|          | 060375   | Control Box - Assembled .....         | 1        |
|          |          | Consists of:                          |          |
| 1        | 057778   | Power Cord .....                      | 1        |
| 2        | 057779   | Ground Cable .....                    | 1        |
| 3        | 057781   | Bushing .....                         | 1        |
| 4        | 059055   | Control Box .....                     | 1        |
|          | 650702   | RHMS #6 x 3/8 .....                   | 2        |
| 5        | 059059   | Switch Plate .....                    | 1        |
|          | 650261   | PTHMS 1/4 x 1/2 .....                 | 1        |
|          |          | (1) 1/4 HN 653005 - (1) 1/4 LW 654022 |          |
|          |          | (3) 1/4 PW 654002                     |          |
| 6        | 059064   | Cable (Yellow) .....                  | 1        |
| 7        | 059299   | Toggle Switch .....                   | 1        |
| 8        | 059321   | Strain Relief Bushing .....           | 1        |
| 9        | 060376   | Tractor Cable .....                   | 1        |
| 10       | 060972   | Toggle Guard .....                    | 1        |

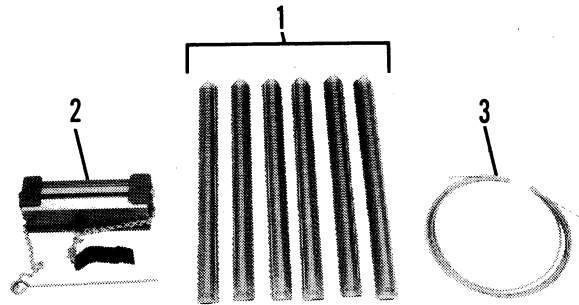


**801051 MANUAL HYDRAULIC SHUT OFF KIT**



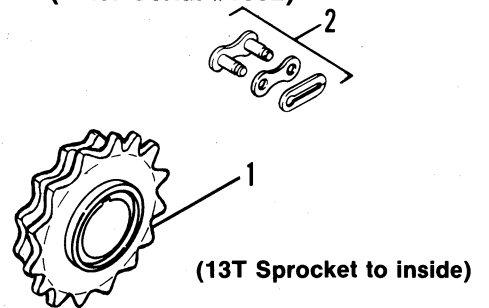
| Ref. No.     | Part No.                                | Part Name                         | No. Req. |
|--------------|---|-----------------------------------|----------|
| 801051       |   | Manual Hydraulic Shut-off Kit ... | 1        |
| Consists of: |   |                                   |          |
| 1            | R13081E                                 | Cord .....                        | 1        |
| 2            | 050270                                  | Spring Pin .....                  | 1        |
| 3            | 059421                                  | Valve - Assembled .....           | 1        |
| 4            | 059426                                  | Hose .....                        | 2        |
| 5            | 059427                                  | Handle .....                      | 1        |
| 6            | 060596                                  | Valve Mount .....                 | 1        |
|              | 650491                                  | HHCS 3/8 x 1-1/4 .....            | 2        |
|              | 650784                                  | HHCS 5/16 x 2-3/4 .....           | 2        |
|              | (4) 5/16 HN 653007 - (4) 5/16 LW 654024 |                                   |          |

**801086 RE-LACING KIT**



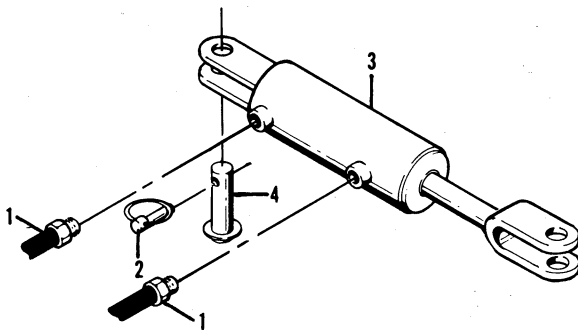
| Ref. No.     | Part No. | Part Name                      | No. Req. |
|--------------|----------|--------------------------------|----------|
| 801086       |          | Re-Lacing Kit .....            | 1        |
| Consists of: |          |                                |          |
| 1            | 058398   | #4-1/2 Clipper Hook Card ..... | 6        |
| 2            | 059826   | Vice Lacer .....               | 1        |
| 3            | 060345   | Cable - 72" .....              | 1        |

**901757 SLOW-DOWN SPROCKET KIT (After Serial #1662)**



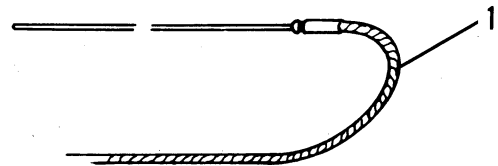
| Ref. No.     | Part No. | Part Name                       | No. Req. |
|--------------|----------|---------------------------------|----------|
| 901757       |          | Slow-down Sprocket Kit .....    | 1        |
| Consists of: |          |                                 |          |
| 1            | 060621   | Double Sprocket (13T - 15T).... | 1        |
|              | 650213   | SHSS - SL 3/8 x 3/8 .....       | 2        |
| 2            | 500161   | Offset Coupler .....            | 2        |

**801088 HYDRAULIC TWINE WRAPPING KIT**



| Ref. No.     | Part No. | Part Name                        | No. Req. |
|--------------|----------|----------------------------------|----------|
| 801088       |          | Hydraulic Twine Wrapping Kit ... | 1        |
| Consists of: |          |                                  |          |
| 1            | 059539   | Hose .....                       | 2        |
| 2            | 060471   | Klick Pin .....                  | 1        |
| 3            | 060626   | Hydraulic Cylinder .....         | 1        |
| 4            | 060629   | Cylinder Pin .....               | 1        |

**901751 PLATFORM BELT LACING PIN KIT**



| Ref. No. | Part No. | Part Name                          | No. Req. |
|----------|----------|------------------------------------|----------|
| 901751   |          | Platform Belt Lacing Pin - 72" ... | 1        |

## RB1500 - DECAL LOCATIONS

Decal Locations are shown to assist in application of new decals in the event of damage to the Decal or refinishing of the machine. Check listing for information and the illustrations for their location.

Surfaces **MUST** be free from dirt, dust, grease and other foreign material before applying the new Decal. To apply, remove the smaller portion of the decal backing paper and apply this part of the exposed adhesive backing to the clean surface while maintaining proper position and alignment. Peel the other portion of the backing paper off slowly while applying hand pressure to smooth out Decal surface.

**NOTE:** Discard Decals NOT required for this machine. Always order Decals by set number. DO NOT order Decals separately.



**WARNING:** Always Observe Safety Rules Shown on Decals. If Decals become damaged, or if unit is repainted, replace Decals.

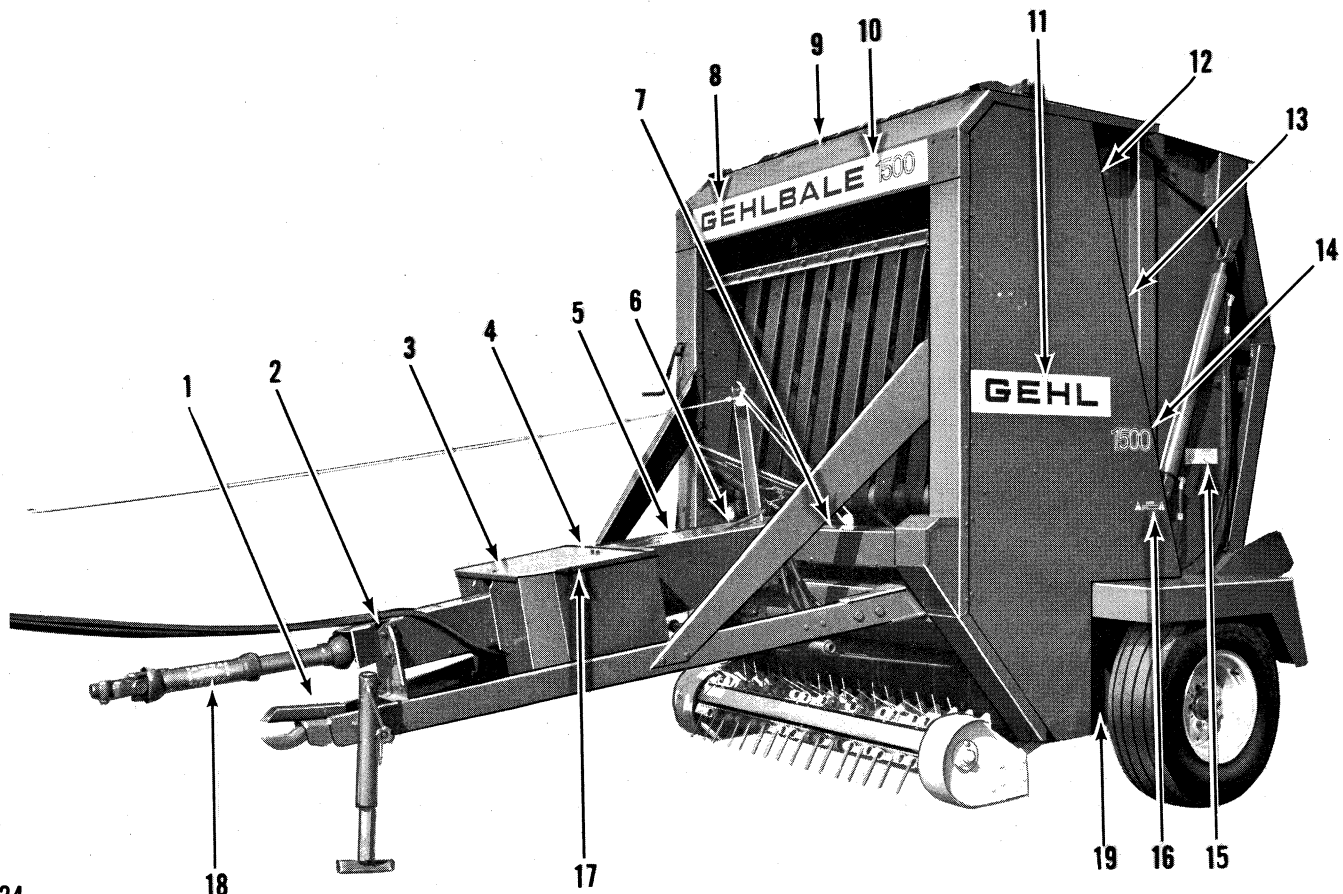
### NOTICE

Order paint for refinishing machines from this list:

|        |                                   |
|--------|-----------------------------------|
| 901225 | One Gallon Blaze Paint            |
| 901226 | One Gallon Maize Paint            |
| 610239 | 6 (12 oz.) Cans Blaze Spray Paint |
| 610240 | 6 (12 oz.) Cans Maize Spray Paint |

The Decal Set Number for RB1500 is 901410. The set includes the following Decals.

|            |                        |             |                           |
|------------|------------------------|-------------|---------------------------|
| 1 - 058311 | Notice                 | 10 - 058417 | Bale 1500                 |
| 2 - 058321 | Adjustment Height      | 11 - 057666 | Gehl (Two Places)         |
| 3 - 058316 | General Operation      | 12 - 058313 | Belt Tension (Two Places) |
| 4 - 058318 | Operating Instructions | 13 - 058310 | Warning (Two Places)      |
| 5 - 058317 | Caution                | 14 - 057667 | 1500 (Two Places)         |
| 6 - 058319 | Hydraulic Pressure     | 15 - 058320 | Warning (Two Places)      |
| 7 - 058314 | Caution                | 16 - 058315 | Caution (Two Places)      |
| 8 - 058416 | Gehl (5-3/4 x 25-3/8)  | 17 - 058312 | Carry Spare Twine         |
| 9 - 058529 | Bale Size Indicator    | 18 - 053473 | Caution                   |
|            |                        | 19 - 058868 | Danger (Two Places)       |



# RB1500 - NUMERICAL INDEX

| Part No.      | Page No. | Part No.      | Page No. | Part No. | Page No. | Part No. | Page No. |
|---------------|----------|---------------|----------|----------|----------|----------|----------|
| 3H55A         | 18       | 044116        | 3        | 056407   | 13       | 057233   | 15       |
| 13H59         | 14       | 045327        | 21       | 056408   | 13       | 057234   | 15       |
| 7K73          | 3        | 045857        | 21       | 056409   | 13       | 057238   | 15       |
| 6H160         | 9        | 045998        | 6        | 056410   | 14       | 057242   | 11       |
| H190A         | 9        | 046000        | 6        | 056411   | 14       | 057256   | 11       |
| 9H253         | 6        | 046001        | 6        | 056440   | 13       | 057262   | 11       |
| H275          | 13       | 046365        | 7        | 056441   | 11       | 057267   | 11       |
| 9H300         | 6        | 046366        | 7        | 056479   | 13       | 057269   | 11       |
| 17H340A       | 6        | 047837        | 17       | 056480   | 15       | 057271   | 11       |
| 17H349        | 14       | 048060        | 6        | 056769   | 3        | 057274   | 11       |
| 17H394        | 6        | 048459        | 14       | 057083   | 3        | 057275   | 13       |
| H714B         | 3        | 049061        | 9        | 057103   | 3        | 057276   | 13       |
| B11069        | 17       |               |          | 057109   | 3        | 057280   | 11       |
| B11433A       | 17       | <b>050000</b> |          | 057110   | 3        | 057283   | 11       |
| M12361        | 17       | 050270        | 23       | 057111   | 3        | 057285   | 7        |
| R13081E       | 23       | 052595        | 3        | 057112   | 3        | 057286   | 18       |
| H8334         | 9        | 053688        | 9        | 057113   | 15       | 057288   | 18       |
| H6053B        | 14       | 053865        | 21       | 057119   | 15       | 057290   | 7        |
| H6057B        | 3        | 054031        | 9        | 057120   | 3        | 057291   | 7        |
| H6075         | 9        | 054078        | 17       | 057121   | 15       | 057295   | 7        |
| H6094         | 6        | 054283        | 6,21     | 057122   | 15       | 057299   | 7        |
| H6098A        | 18       | 054284        | 6,21     | 057123   | 7        | 057300   | 3        |
| H6172         | 6        | 054543        | 14       | 057142   | 7        | 057337   | 15       |
| H6240         | 6        | 054959        | 3        | 057146   | 3        | 057344   | 3,15     |
| H6242         | 6        | 055073        | 19       | 057147   | 7        | 057346   | 15       |
| H7126         | 9        | 055074        | 19       | 057148   | 11,19    | 057350   | 15       |
| H7812         | 14       | 055142        | 3        | 057149   | 19       | 057351   | 15       |
| H7667         | 18       | 055341        | 21       | 057150   | 19       | 057355   | 15       |
| H8035         | 9        | 055342        | 21       | 057151   | 19       | 057361   | 3        |
| H8054         | 11       | 055343        | 21       | 057153   | 19       | 057362   | 3        |
| H8334         | 13       | 055344        | 21       | 057154   | 19       | 057370   | 3        |
| H8354         | 9        | 055347        | 21       | 057155   | 19       | 057371   | 3        |
| D9130         | 14       | 055348        | 21       | 057156   | 19       | 057374   | 3        |
| D9191         | 11       | 055353        | 21       | 057157   | 19       | 057375   | 3        |
| B11162B       | 9,13     | 055354        | 21       | 057158   | 19       | 057376   | 3        |
| M12306        | 11       | 055355        | 21       | 057159   | 19       | 057377   | 7        |
| R13139A       | 6        | 055356        | 21       | 057160   | 15       | 057380   | 3        |
| R13227        | 9        | 055357        | 21       | 057163   | 15       | 057381   | 3        |
| C14000B       | 18       | 055358        | 21       | 057165   | 15       | 057382   | 3        |
| C14002A       | 18       | 055371        | 21       | 057168   | 15       | 057383   | 3        |
| C14003B       | 18       | 055372        | 21       | 057171   | 15       | 057387   | 3        |
| C14008A       | 18       | 055690        | 3,6,17   | 057173   | 15       | 057388   | 3        |
| C14054A       | 18       | 055691        | 3,6,17   | 057174   | 15,17    | 057389   | 3        |
| C14084        | 9        | 055692        | 3,6,17   | 057175   | 3        | 057391   | 5        |
| C14095        | 18       | 055898        | 19       | 057178   | 3        | 057392   | 7        |
| C14099        | 18       | 055986        | 6,14     | 057179   | 13       | 057405   | 7        |
| S16040        | 6        | 056061        | 9        | 057181   | 3        | 057406   | 7        |
| S16119        | 6        | 056245        | 7        | 057185   | 13       | 057407   | 7        |
| S16215        | 6,13,14  | 056246        | 7        | 057186   | 13       | 057408   | 7        |
| S16218        | 11       | 056252        | 7        | 057187   | 13       | 057409   | 7        |
|               |          | 056336        | 17       | 057188   | 13       | 057410   | 7        |
| <b>040000</b> |          | 056343        | 7,21     | 057194   | 13       | 057411   | 7        |
| 040278        | 9        | 056344        | 14       | 057195   | 13       | 057412   | 7        |
| 040860        | 3        | 056345        | 14       | 057202   | 13       | 057413   | 7        |
| 041499        | 14       | 056349        | 9        | 057207   | 15       | 057414   | 17       |
| 042166        | 14       | 056350        | 9        | 057218   | 15       | 057418   | 17       |
| 042667        | 9        | 056351        | 7,21     | 057227   | 15       | 057422   | 17       |
| 043192        | 14       | 056405        | 14       | 057230   | 15       | 057424   | 17       |
| 043616        | 21       | 056406        | 13       | 057232   | 3,15     | 057425   | 17       |

# RB1500 - NUMERICAL INDEX




| Part No. | Page No. | Part No. | Page No. | Part No. | Page No. | Part No.      | Page No. |
|----------|----------|----------|----------|----------|----------|---------------|----------|
| 057446   | 17       | 057947   | 13       | 058537   | 13       | 059469        | 17       |
| 057449   | 7        | 057948   | 5        | 058538   | 5        | 059473        | 17       |
| 057450   | 11       | 057950   | 11       | 058539   | 17       | 059474        | 17       |
| 057455   | 11       | 057951   | 11       | 058542   | 11       | 059475        | 17       |
| 057456   | 11       | 057952   | 11       | 058543   | 11       | 059528        | 7        |
| 057457   | 11       | 057953   | 11       | 058566   | 7,17     | 059529        | 18       |
| 057459   | 11       | 057954   | 11       | 058579   | 11       | 059539        | 23       |
| 057460   | 11       | 057955   | 11       | 058580   | 15       | 059593        | 9        |
| 057461   | 7        | 057957   | 13       | 058583   | 15       | 059596        | 9        |
| 057462   | 7        | 057958   | 15       | 058584   | 15       | 059650        | 11       |
| 057463   | 7        | 057959   | 5        | 058591   | 15       | 059826        | 23       |
| 057465   | 9        | 057960   | 15       | 058622   | 21       | <b>060000</b> |          |
| 057470   | 9        | 057961   | 15       | 058623   | 21       | 060345        | 23       |
| 057479   | 9        | 057962   | 5,13     | 058624   | 21       | 060375        | 22       |
| 057484   | 9        | 057963   | 5        | 058625   | 21       | 060376        | 22       |
| 057485   | 9        | 057965   | 13       | 058626   | 21       | 060471        | 23       |
| 057486   | 9        | 057967   | 13       | 058666   | 11       | 060596        | 23       |
| 057487   | 9        | 057969   | 13       | 058690   | 11       | 060621        | 23       |
| 057490   | 9        | 057971   | 13       | 058766   | 13       | 060626        | 23       |
| 057491   | 9        | 057977   | 5        | 058769   | 7        | 060629        | 23       |
| 057493   | 9        | 057980   | 5        | 058771   | 7        | 060972        | 22       |
| 057497   | 9        | 057982   | 9        | 058778   | 17       | 061058        | 22       |
| 057499   | 9        | 058031   | 13       | 058796   | 9        | 061059        | 22       |
| 057504   | 9        | 058156   | 13       | 058839   | 21       | 061060        | 22       |
| 057507   | 9        | 058309   | 13       | 058841   | 21       | 061061        | 22       |
| 057508   | 9        | 058325   | 5,17     | 058870   | 15       | 061062        | 22       |
| 057511   | 9        | 058326   | 5        | 058871   | 15       | 063592        | 22       |
| 057512   | 9        | 058328   | 7        | 058872   | 15       | <b>500000</b> |          |
| 057513   | 9        | 058329   | 15       | 058874   | 5        | 500057        | 3,14     |
| 057515   | 13       | 058332   | 17       | 058875   | 5        | 500111        | 3        |
| 057516   | 17       | 058386   | 17       | 058878   | 7        | 500160        | 15       |
| 057570   | 7        | 058389   | 13       | 058884   | 11       | 500161        | 23       |
| 057617   | 15       | 058391   | 5,15     | 058905   | 15       | 510023        | 21       |
| 057691   | 17       | 058394   | 7        | 058908   | 5        | 510100        | 21       |
| 057778   | 22       | 058396   | 13       | 058911   | 15       | 510202        | 21       |
| 057779   | 22       | 058397   | 13       | 058912   | 15       | 510215        | 21       |
| 057781   | 22       | 058398   | 15,23    | 058916   | 17       | 520000        | 18       |
| 057883   | 5        | 058399   | 15       | 058917   | 7        | 520001        | 18       |
| 057888   | 7        | 058421   | 7        | 058919   | 7        | 520046        | 18       |
| 057891   | 17       | 058440   | 15       | 058920   | 9        | 520047        | 18       |
| 057894   | 17       | 058441   | 15       | 058963   | 11       | 520054        | 7        |
| 057899   | 17       | 058442   | 15       | 058964   | 19       | 520062        | 13       |
| 057904   | 17       | 058445   | 15       | 058965   | 19       | 520063        | 13       |
| 057907   | 17       | 058453   | 7        | 058966   | 19       | 520064        | 13       |
| 057911   | 7        | 058481   | 15       | 059052   | 22       | 520065        | 9,13     |
| 057914   | 17       | 058485   | 11       | 059053   | 22       | 520066        | 7        |
| 057919   | 17       | 058488   | 11       | 059055   | 22       | 520084        | 13       |
| 057920   | 17       | 058489   | 5,15     | 059059   | 22       | 520085        | 9,13     |
| 057922   | 9        | 058490   | 5        | 059064   | 22       | 520090        | 13       |
| 057923   | 9        | 058493   | 15       | 059211   | 13       | 520093        | 13,15    |
| 057926   | 9        | 058508   | 13       | 059215   | 5        | 520153        | 7        |
| 057931   | 5        | 058510   | 13       | 059299   | 22       | 520158        | 13,15    |
| 057935   | 5        | 058511   | 17       | 059321   | 22       | 520175        | 9        |
| 057936   | 9        | 058532   | 21       | 059390   | 19       | 520199        | 7        |
| 057939   | 9        | 058533   | 5        | 059421   | 23       | 520200        | 7        |
| 057940   | 9        | 058534   | 5        | 059426   | 23       | 520201        | 7        |
| 057942   | 9        | 058535   | 5        | 059427   | 23       | 530000        | 18       |
| 057945   | 5        | 058536   | 5        | 059468   | 17       | 540002        | 18       |

**RB1500 - NUMERICAL INDEX**

| Part No.      | Page No.                 | Part No. | Page No. | Part No. | Page No. | Part No. | Page No. |
|---------------|--------------------------|----------|----------|----------|----------|----------|----------|
| 570002        | ..... 6,7,14<br>15,17,21 |          |          |          |          |          |          |
| 570004        | ..... 14,15              |          |          |          |          |          |          |
| 570014        | ..... 6,7,21             |          |          |          |          |          |          |
| 570016        | ..... 7                  |          |          |          |          |          |          |
| <b>600000</b> |                          |          |          |          |          |          |          |
| 660005        | ..... 18                 |          |          |          |          |          |          |
| 666000        | ..... 21                 |          |          |          |          |          |          |
| <b>900000</b> |                          |          |          |          |          |          |          |
| 901634        | ..... 13                 |          |          |          |          |          |          |
| 901751        | ..... 23                 |          |          |          |          |          |          |

# NOTES

## TORQUE SPECIFICATIONS FOR STANDARD MACHINE HARDWARE

| SIZE      | SAE GRADE #2  |                | SAE GRADE #5  |                | SAE GRADE #8  |                |
|-----------|--|----------------|---|----------------|--|----------------|
|           | DRY  | LUB.           | DRY   | LUB.           | DRY  | LUB.           |
| 8 - 32    | 19 In. Lbs.  | 14 In. Lbs.    | 30 In. Lbs.   | 22 In. Lbs.    | 41 In. Lbs.  | 31 In. Lbs.    |
| 8 - 36    | 20 "   | 15 "           | 31 "  | 23 "           | 43 "   | 32 "           |
| 10 - 24   | 27 "   | 21 "           | 43 "  | 32 "           | 60 "   | 45 "           |
| 10 - 32   | 31 "   | 23 "           | 49 "  | 36 "           | 68 "   | 51 "           |
| 1/4 - 20  | 66 " Ft. Lbs.  | 50 " Ft. Lbs.  | 9 Ft. Lbs.  | 75 " Ft. Lbs.  | 12 Ft. Lbs.  | 9 Ft. Lbs.     |
| 1/4 - 28  | 76 " Ft. Lbs.  | 56 " Ft. Lbs.  | 10 " Ft. Lbs.   | 86 " Ft. Lbs.  | 14 " Ft. Lbs.  | 10 " Ft. Lbs.  |
| 5/16 - 18 | 11 " Ft. Lbs.  | 9 " Ft. Lbs.   | 17 " Ft. Lbs.   | 13 " Ft. Lbs.  | 25 " Ft. Lbs.  | 18 " Ft. Lbs.  |
| 5/16 - 24 | 12 " Ft. Lbs.  | 9 " Ft. Lbs.   | 19 " Ft. Lbs.   | 14 " Ft. Lbs.  | 25 " Ft. Lbs.  | 20 " Ft. Lbs.  |
| 3/8 - 16  | 20 " Ft. Lbs.  | 15 " Ft. Lbs.  | 30 " Ft. Lbs.   | 23 " Ft. Lbs.  | 45 " Ft. Lbs.  | 35 " Ft. Lbs.  |
| 3/8 - 24  | 23 " Ft. Lbs.  | 17 " Ft. Lbs.  | 35 " Ft. Lbs.   | 25 " Ft. Lbs.  | 50 " Ft. Lbs.  | 35 " Ft. Lbs.  |
| 7/16 - 14 | 32 " Ft. Lbs.  | 24 " Ft. Lbs.  | 50 " Ft. Lbs.   | 35 " Ft. Lbs.  | 70 " Ft. Lbs.  | 55 " Ft. Lbs.  |
| 7/16 - 20 | 36 " Ft. Lbs.  | 27 " Ft. Lbs.  | 55 " Ft. Lbs.   | 40 " Ft. Lbs.  | 80 " Ft. Lbs.  | 60 " Ft. Lbs.  |
| 1/2 - 13  | 50 " Ft. Lbs.  | 35 " Ft. Lbs.  | 75 " Ft. Lbs.   | 55 " Ft. Lbs.  | 110 " Ft. Lbs.   | 80 " Ft. Lbs.  |
| 1/2 - 20  | 55 " Ft. Lbs.  | 40 " Ft. Lbs.  | 90 " Ft. Lbs.   | 65 " Ft. Lbs.  | 120 " Ft. Lbs.   | 90 " Ft. Lbs.  |
| 9/16 - 12 | 70 " Ft. Lbs.  | 55 " Ft. Lbs.  | 110 " Ft. Lbs.  | 80 " Ft. Lbs.  | 150 " Ft. Lbs.   | 110 " Ft. Lbs. |
| 9/16 - 18 | 80 " Ft. Lbs.  | 60 " Ft. Lbs.  | 120 " Ft. Lbs.  | 90 " Ft. Lbs.  | 170 " Ft. Lbs.   | 130 " Ft. Lbs. |
| 5/8 - 11  | 100 " Ft. Lbs.   | 75 " Ft. Lbs.  | 150 " Ft. Lbs.  | 110 " Ft. Lbs. | 220 " Ft. Lbs.   | 170 " Ft. Lbs. |
| 5/8 - 18  | 110 " Ft. Lbs.   | 85 " Ft. Lbs.  | 180 " Ft. Lbs.  | 130 " Ft. Lbs. | 240 " Ft. Lbs.   | 180 " Ft. Lbs. |
| 3/4 - 10  | 175 " Ft. Lbs.   | 130 " Ft. Lbs. | 260 " Ft. Lbs.  | 200 " Ft. Lbs. | 380 " Ft. Lbs.   | 280 " Ft. Lbs. |
| 3/4 - 16  | 200 " Ft. Lbs.   | 150 " Ft. Lbs. | 300 " Ft. Lbs.  | 220 " Ft. Lbs. | 420 " Ft. Lbs.   | 320 " Ft. Lbs. |
| 7/8 - 9   | 170 " Ft. Lbs.   | 125 " Ft. Lbs. | 430 " Ft. Lbs.  | 320 " Ft. Lbs. | 600 " Ft. Lbs.   | 460 " Ft. Lbs. |
| 7/8 - 14  | 180 " Ft. Lbs.   | 140 " Ft. Lbs. | 470 " Ft. Lbs.  | 360 " Ft. Lbs. | 660 " Ft. Lbs.   | 500 " Ft. Lbs. |
| 1 - 8     | 250 " Ft. Lbs.   | 190 " Ft. Lbs. | 640 " Ft. Lbs.  | 480 " Ft. Lbs. | 900 " Ft. Lbs.   | 680 " Ft. Lbs. |
| 1 - 12    | 270 " Ft. Lbs.   | 210 " Ft. Lbs. | 710 " Ft. Lbs.  | 530 " Ft. Lbs. | 1000 " Ft. Lbs.  | 740 " Ft. Lbs. |

Multiply In. Lbs. by (8.890) or Ft. Lbs. by (1.383) for metric Nm

**NOTE:** These torque values are to be used for all GEHL hardware excluding: locknuts, self-tapping screws, thread forming screws, and sheet metal screws. Unless otherwise noted, all torque values must meet this specification.

**Attaching Hardware Table**

| Size & Description | Part Number | Size & Description | Part Number |
|--------------------|-------------|--------------------|-------------|
| #1024HN            | 650550      | 1/2HN              | 650318      |
| #10LW              | 650549      | 1/2HLN             | 650806      |
| #1224HN            | 650627      | 1/2HJN             | 653044      |
| #12LW              | 650813      | 1/2PW              | 654009      |
| 1/4HN              | 653005      | 1/2LW              | 654030      |
| 1/4HLN             | 650803      | 5/8HN              | 653021      |
| 1/4PW              | 654002      | 5/8HLN             | 650807      |
| 1/4LW              | 654022      | 5/8PW              | 654012      |
| 5/16HN             | 653007      | 5/8LW              | 654032      |
| 5/16HLN            | 650804      | 3/4HN              | 653026      |
| 5/16PW             | 654004      | 3/4HSN             | 650817      |
| 5/16LW             | 654024      | 3/4PW              | 654014      |
| 3/8HN              | 653010      | 3/4LW              | 654034      |
| 3/8HLN             | 650805      | 1HJN               | 650820      |
| 3/8PW              | 654006      | 1PW                | 654016      |
| 3/8LW              | 654026      |                    |             |

---

**GEHL**®

---

**FARM EQUIPMENT**

GEHL COMPANY WEST BEND, WISCONSIN 53095 U.S.A.