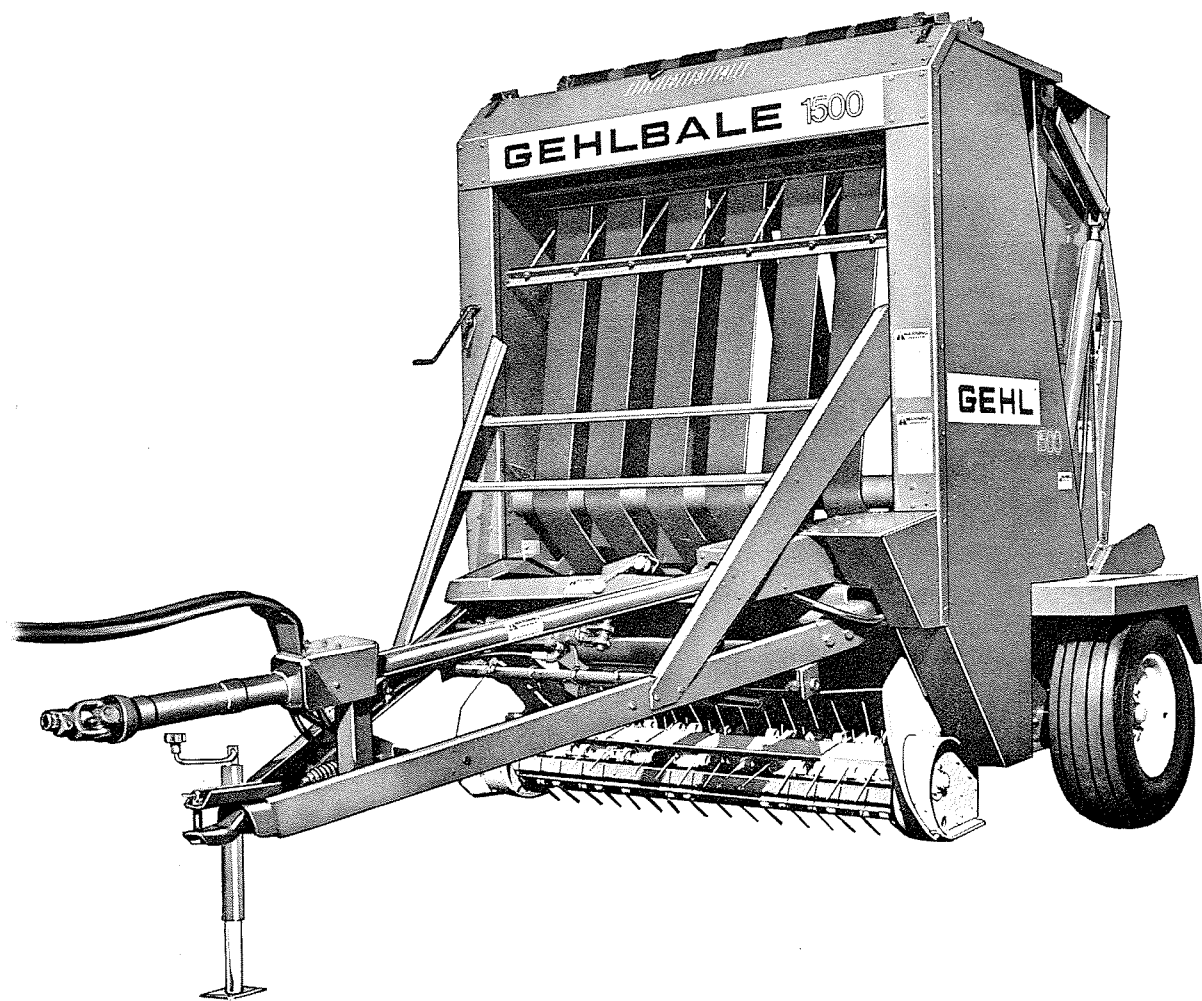


# RB 1500A BALER

Form No.  
901959  
Replaces  
901753



Service Parts Manual



Z

A

R

S

O

U

L

T

W

U

# RB1500A - INTRODUCTION

## Mr. Dealer:

Give complete information when ordering service parts. Always give complete part number and also complete part description. The model number and serial number should always be given. Numbers for the RB1500A Baler are stamped on a plate located under the top channel, near the center column of left frame assembly.

“Right” and “Left” are determined from a position standing at the rear of the unit looking toward direction of travel. From this position, the Pickup is on the Front and unit ejects bales from the Rear. “Front” is the leading side and “Rear” is the trailing side when the tractor is traveling forward.

*NOTE: You will find common hardware such as nuts, bolts, etc. listed but not illustrated in parts lists in this manual. Hardware listed with the particular part is for mounting purposes and is not included when the part is ordered for replacement.*

Gehl Company reserves the right to make changes or improvements in the design or construction of any part without incurring the obligation to install such changes on any unit previously delivered.

## TABLE OF CONTENTS

	Page
Introduction .....	2
Frame .....	3-5
PTO and Drawbar .....	6-7
Pick-up .....	8-9
Rear Gate .....	10-11
Upper Rollers .....	12-13
Lower Rollers .....	14-15
Twine Box and Wrap .....	16
Transmission .....	17
Hydraulic Cylinder .....	18
Hydraulic Valve .....	18
Accessories .....	19-22
Universal Drives .....	23
Hitch Jack .....	24
Decal Locations .....	25-27
Numerical Index .....	28-30

Parts lists in this manual contain various abbreviations. Below is an explanation of these abbreviations.

HN	-	Hexagon Nut
HJN	-	Hexagon Jam Nut
HLN	-	Hexagon Lock Nut
SN	-	Slotted Nut
CN	-	Castellated Nut
WN	-	Wing Nut
PW	-	Plain Washer
LW	-	Lock Washer
ILW	-	Internal Tooth Lock Washer
ELW	-	External Tooth Lock Washer
L.H.	-	Left Hand Thread
NF	-	National Fine Thread
S-L	-	Self-Locking
DPT	-	Double Pitch Tooth

## IMPORTANT HARDWARE NOTICE

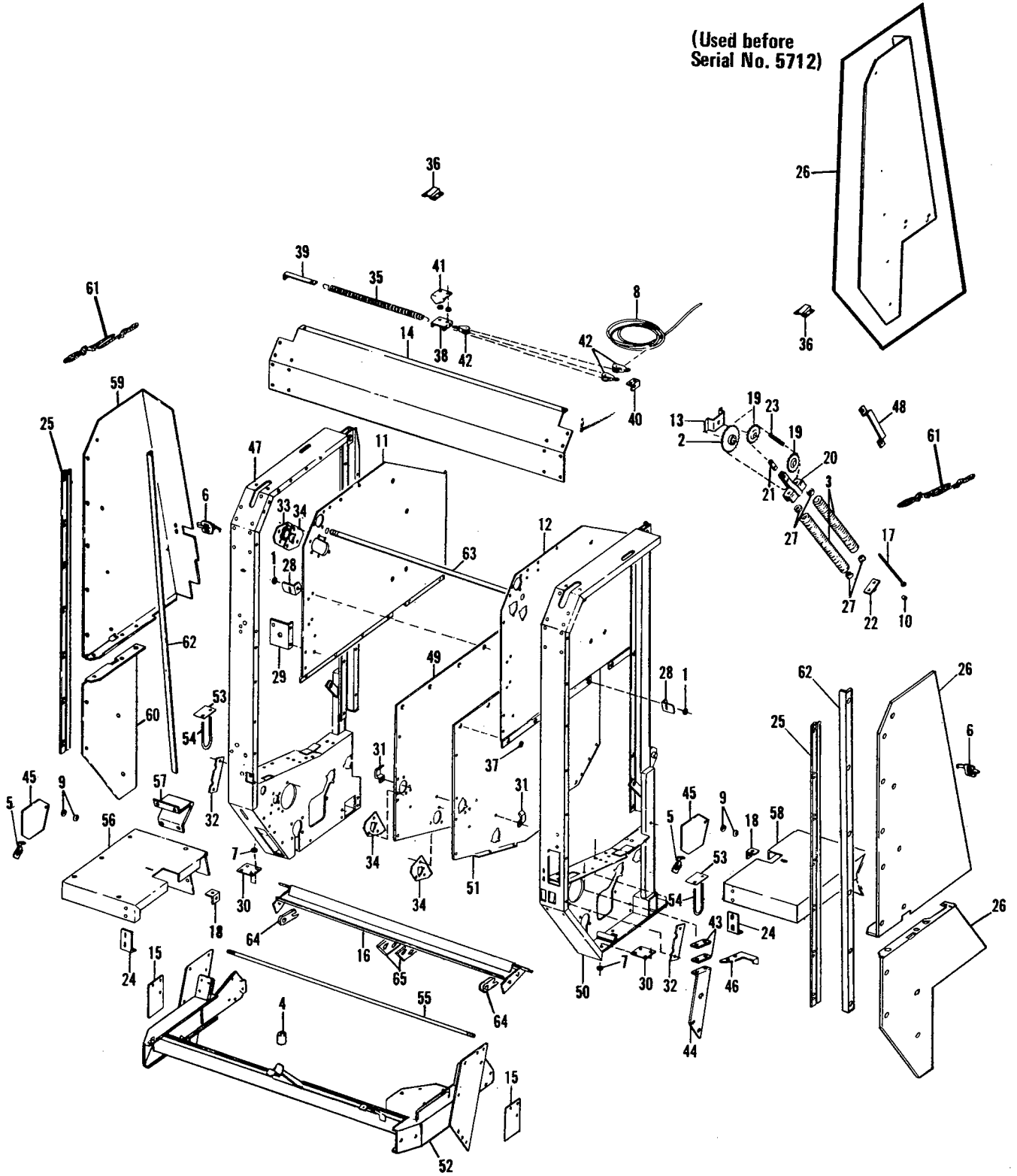
All Bolts called out in Parts Lists are Grade 5 Cadmium Plated, unless otherwise specified.

Hexagon Lock Nuts for Grade 5 Bolts are Grade “B”. Hexagon Nuts for other Bolts are Grade “A”, unless otherwise specified.

**ALWAYS GIVE MODEL AND SERIAL NUMBER WHEN ORDERING SERVICE PARTS**

# RB1500A - FRAME

(Used before  
Serial No. 5712)



**IMPORTANT:** Order by Part Number -  
DO NOT use Illustration Reference  
Numbers.

(Parts List Begins On Next Page)

**ALWAYS GIVE MODEL AND SERIAL NUMBER WHEN ORDERING SERVICE PARTS**

# RB1500A - FRAME

Ref. No.	Part No.	Part Name	No. Req.	Ref. No.	Part No.	Part Name	No. Req.
1	7K73	Washer	6	26	057391	Drive Guard - Left (Used before Serial No. 5712)	1
2	H714B	Sprocket (29T)	2	061571	Left Guard - Lower Door (Used after Serial No. 5711)	1	
	650213	S-L Soc.Hd. Set Screw 3/8 x 3/8	2	650448	Hex.Hd.Cap Screw 1/4 x 3/4	2	
3	H6057B	Spring	4	650486	Hex.Hd.Cap Screw 5/16 x 3/4 (2) 1/4 LW 654022 - (2) 1/4 HN 653005 (2) 5/16 LW 654024 - (2) 5/16 HN 653007	2	
4	C14061A	Bushing	1	061572	Left Guard (Used after Serial No. 5711)	1	
5	040860	Clip	2	650448	Hex.Hd.Cap Screw 1/4 x 3/4	4	
	650548	Rd.Hd.Mach. Screw 1024 x 1/2 (2) 1024 HN 650550 - (2) No. 10 LW 650549	2	650486	Hex.Hd.Cap Screw 5/16 x 3/4 (4) 1/4 LW 654022 - (4) 1/4 HN 653005 (3) 5/16 LW 654004 - (8) 5/16 LW 654024 (8) 5/16 HN 653007	8	
6	044116	Latch	2	27	057883	Spring Plug	8
	650812	Rd.Hd.Mach. Screw 1224 x 1/2 (4) 1224 HN 650627 - (4) No. 12 LW 650813	4	28	057931	Door Latch Bracket	2
7	049261	Washer	2	29	057935	Bracket <i>USED BEFORE 6501</i>	1
8	052595	Cord - 3/16 x 138	1	30	057945	Reinforcement	2
9	054959	Bellville Washer	4	650490	Hex.Hd.Cap Screw 3/8 x 1 (8) 3/8 HN 653010 - (8) 3/8 LW 654026	8	
10	056769	Spacer	2	31	057948	Hose Bracket	2
11	057109	Right Sheet - Upper	1	32	057959	Cover	2
	650488	Hex.Hd.Cap Screw 3/8 x 3/4	6	33	057962	Roll Shield - Right 650486 Hex.Hd.Cap Screw 5/16 x 3/4 (3) 5/16 HN 653007 - (3) 5/16 LW 654024	3
	650490	Hex.Hd.Cap Screw 3/8 x 1	4	34	057963	Bracket Plate (9) 5/16 HN 653007 - (9) 5/16 LN 653024	3
	650491	Hex.Hd.Cap Screw 3/8 x 1-1/4	1	35	058325	Spring	1
	650801	Flat Hd.Soc.Cap Screw 3/8 x 1	3	36	058326	Chain Guard	2
	650802	Flat Hd.Soc.Cap Screw 3/8 x 1-1/4 (3) 5/16 HN 653007 - (3) 5/16 LW 654024 (15) 3/8 HN 653010 - (15) 3/8 LW 654026	1	650490	Hex.Hd.Cap Screw 3/8 x 1 (4) 3/8 HN 653010 - (4) 3/8 LW 654026	4	
12	057110	Left Sheet - Upper	1	37	058490	Washer	30
	650486	Hex.Hd.Cap Screw 5/16 x 3/4	3	38	058533	Indicator Base	1
	650490	Hex.Hd.Cap Screw 3/8 x 1	1	39	058534	Spring Anchor 650491 Hex.Hd.Cap Screw 3/8 x 1-1/4 (1) 3/8 HN 653010 - (1) 3/8 LW 654026	1
	650491	Hex.Hd.Cap Screw 3/8 x 1-1/4	1	40	058535	Pulley Anchor 650491 Hex.Hd.Cap Screw 3/8 x 1-1/4 (1) 3/8 HN 653010 - (1) 3/8 LW 654026	1
	650801	Flat Hd.Soc.Cap Screw 3/8 x 1	3	41	058536	Bale Size Indicator 650490 Hex.Hd.Cap Screw 3/8 x 1 (2) 3/8 HN 653010 - (4) 3/8 PW 654006 (2) 3/8 LW 654026	1
	650802	Flat Hd.Soc.Cap Screw 3/8 x 1-1/4 (6) 3/8 HN 653010 - (6) 3/8 LW 654026	1	42	058538	Pulley	3
13	057111	Idler Bracket	2	43	058874	Support Spacer	2
14	057146	Panel	1	44	058875	Outboard Support	1
	650490	Hex.Hd.Cap Screw 3/8 x 1 (16) 3/8 HN 653010 - (16) 3/8 LW 654026	16	45	058908	Access Hole Cover	2
15	057147	Spacer Plate	2	46	059215	Door Stop	1
16	057181	Scraper	1	47	059614	Baler Frame - Right <i>BEFORE 6501</i>	1
	650491	Hex.Hd.Cap Screw 3/8 x 1-1/4 (4) 3/8 HN 653010 - (4) 3/8 PW 654006 (4) 3/8 LW 654026	4	065263	Hex.Hd.Cap Screw 5/16 x 3/4	3	
17	057232	Take-Up Bolt	4	<i>AFTER 6500</i>	650692	Hex.Hd.Cap Screw 5/16 x 1-3/4	1
	650491	Hex.Hd.Cap Screw 3/8 x 1-1/4 (4) 3/8 HN 653010 - (4) 3/8 PW 654006 (4) 3/8 LW 654026	4	650814	Hex.Hd.Cap Screw 5/16 x 4	1	
18	057300	Fender Angle	2	650488	Hex.Hd.Cap Screw 3/8 x 3/4	2	
	650644	Hex.Hd.Cap Screw 1/2 x 3 (2) 1/2 HN 653018 - (2) 1/2 LW 654030	2	650490	Hex.Hd.Cap Screw 3/8 x 1 (5) 5/16 HN 653007 - (7) 3/8 HN 653010 (5) 5/16 LW 654024 - (4) 3/8 PW 654006 (7) 3/8 LW 654026	12	
19	057370	Idler Sprocket (17T)	4	48	059618	Strap	2
20	057371	Spring Base - Upper	2				
	650502	Hex.Hd.Cap Screw 1/2 x 2-1/4	2				
	650694	Hex.Hd.Cap Screw 5/8 x 2-1/2	2				
	650710	Hex.Hd.Cap Screw 5/8 x 2-1/4 (2) 1/2 HLN 650806 - (2) 5/8 HN 653020 (8) 1/2 PW 654009 - (4) 5/8 PW 654012 (6) 5/8 LW 654032	4				
21	057374	Chain Block	2				
22	057375	Spring Base	2				
	650647	Hex.Hd.Cap Screw 5/8 x 2 (2) 5/8 HN 653020 - (2) 5/8 PW 654012 (2) 5/8 LW 654032	2				
23	057376	Chain (No. 50) of 161 Links Including Two (500111) Connector Links	2				
24	057380	Fender Mounting Bracket	2				
	650490	Hex.Hd.Cap Screw 3/8 x 1 (2) 3/8 HN 653010 - (2) 3/8 LW 654026	3				
25	057388	Hinge	2				

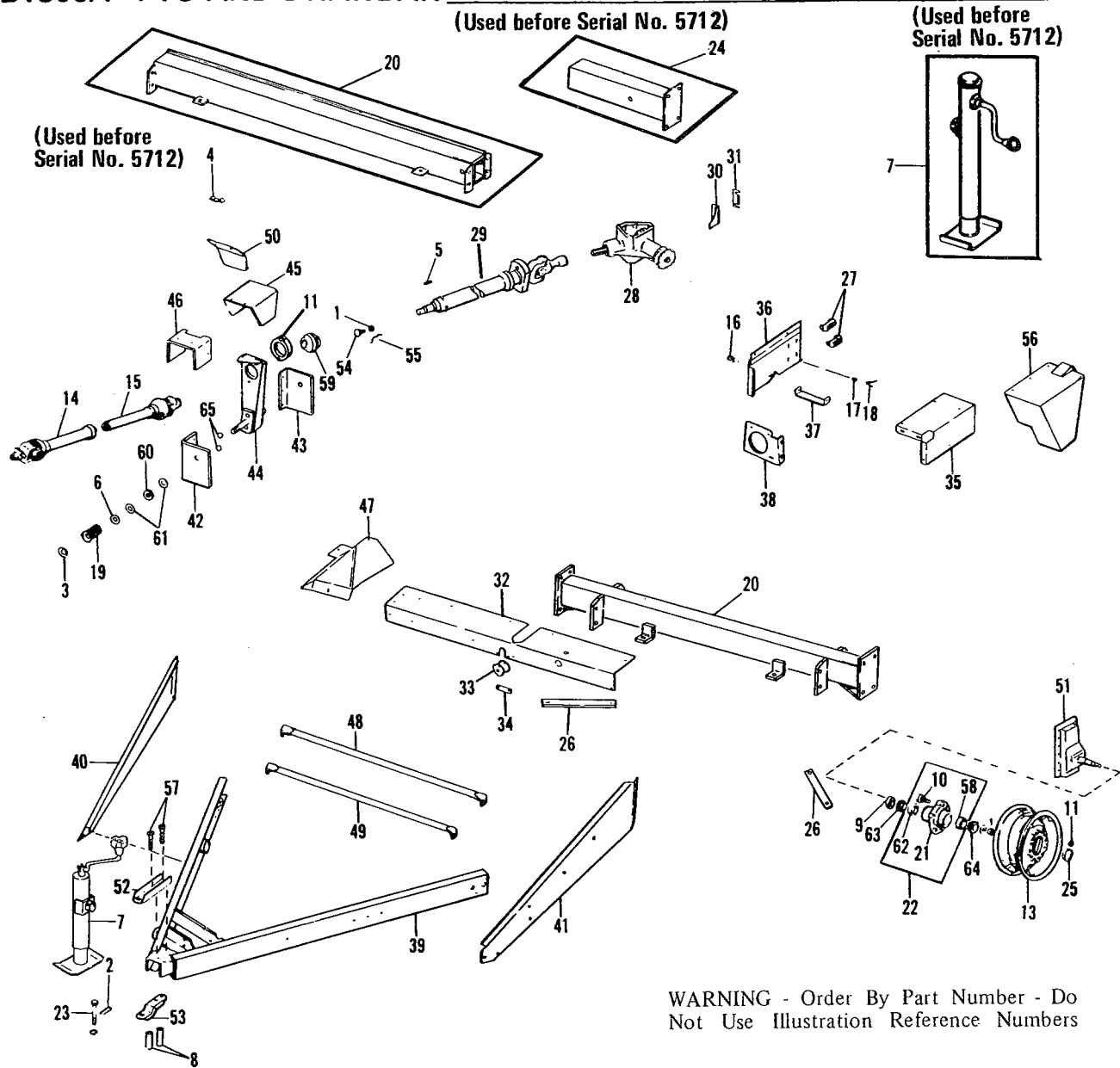
ALWAYS GIVE MODEL AND SERIAL NUMBER WHEN ORDERING SERVICE PARTS

**RB1500A - FRAME**

Ref. No.	Part No.	Part Name	No. Req.	Ref. No.	Part No.	Part Name	No. Req.
49	059619	Right Sheet - Lower	1	57	059694	Fender Step - Right	1
	650488	Hex.Hd.Cap Screw 3/8 x 3/4	6		650490	Hex.Hd.Cap Screw 3/8 x 1	4
	650490	Hex.Hd.Cap Screw 3/8 x 1	4		(4) 3/8 HN 653010 - (4) 3/8 LW 654026		
	650801	Flat Hd.Soc.Cap Screw 3/8 x 1	5	58	059695	Fender - Left	1
	(15) 3/8 HN 653010 - (15) 3/8 LW 654026				650490	Hex.Hd.Cap Screw 3/8 x 1	3
50	059620	Baler Frame - Left <i>BEFORE 6501</i>	1		(3) 3/8 HN 653010 - (3) 3/8 PW 654006		
<i>065725</i>	650490	Hex.Hd.Cap Screw 3/8 x 1	15		(3) 3/8 LW 654026		
<i>AFTER 6500</i>	650491	Hex.Hd.Cap Screw 3/8 x 1-1/4	1	59	059696	Guard - Right	1
	(16) 3/8 HN 653010 - (16) 3/8 LW 654026				650486	Hex.Hd.Cap Screw 5/16 x 3/4	8
51	059622	Left Sheet - Lower	1		650488	Hex.Hd.Cap Screw 1/4 x 3/4	4
	650801	Flat Hd.Soc.Cap Screw 3/8 x 1	11		(4) 1/4 HN 653005 - (8) 5/16 HN 653007		
	(11) 3/8 HN 653010 - (11) 3/8 LW 654026				(4) 1/4 LW 654022 - (8) 5/16 LW 654024		
52	059623	Frame - Front <i>BEFORE 6501</i>	1	60	059697	Guard Door - Lower Right	1
<i>065692</i>	570014	Grease Fitting	1		650488	Hex.Hd.Cap Screw 1/4 x 3/4	2
<i>AFTER 6500</i>	650490	Hex.Hd.Cap Screw 3/8 x 1	14		650486	Hex.Hd.Cap Screw 5/16 x 3/4	2
	650533	Hex.Hd.Cap Screw 3/8 x 1-1/2	2		(2) 1/4 HN 653005 - (2) 5/16 HN 653007		
	(16) 3/8 HN 653010 - (16) 3/8 LW 654026				(2) 1/4 LW 654022 - (2) 5/16 LW 654024		
53	059642	U-Bolt Pad	2	61	060387	Door Cord	2
54	059643	U-Bolt	2	62	060758	Angle Reinforcement	2
	(8) 1/2 HN 653018			63	061711	Rewrap Rod	1
55	059681	Tie Rod	1		(4) 5/8 HN 653021		
	(4) 5/8 HN 653021			64	061833	Spacer	4
56	059693	Fender - Right	1	65	061834	Belt Guide	2
	650490	Hex.Hd.Cap Screw 3/8 x 1	4				
	(4) 3/8 HN 653010 - (3) 3/8 PW 654006						
	(4) 3/8 LW 654026						

ALWAYS GIVE MODEL AND SERIAL NUMBER WHEN ORDERING SERVICE PARTS

# RB1500A - PTO AND DRAWBAR



WARNING - Order By Part Number - Do Not Use Illustration Reference Numbers

Ref. No.	Part No.	Part Name	No. Req.	Ref. No.	Part No.	Part Name	No. Req.
1	9H253	Washer	3	7	S16119 <sup>A</sup>	Hitch Jack	1
2	9H300	Lock Pin	3			(Used before Serial No. 5712)	
3	D932A	Washer	1	061019		Hitch Jack	1
4	H6094	Hose Clamp	6			(Used after Serial No. 5711)	
	650453	Hex.Hd.Cap Screw 1/2 x 1-1/2	6	8	040057	Spacers	2
	(6) 1/2 HLN 653077			9	045998	Grease Seal	2
5	H6172	Tubular Drive Key	1	10	046000	Wheel Bolt	12
6	H8054	Washer	1				

(Parts List Continued On Next Page)

ALWAYS GIVE MODEL AND SERIAL NUMBER WHEN ORDERING SERVICE PARTS

## RB1500A - PTO AND DRAWBAR

Ref. No.	Part No.	Part Name	No. Req.	Ref. No.	Part No.	Part Name	No. Req.
11	046001	Wheel Nut	12	39	059736	Drawbar	1
12	046754	Wheel Housing	1		650500	Hex.Hd.Cap Screw 3/4 x 1-1/2	4
	650533	Hex.Hd.Cap Screw 3/8 x 1-1/2	2		(4) 3/4 HN 653026 - (4) 3/4 LW 654034		
		(2) 3/8 HN 653010 - (2) 3/8 LW 654026		40	059752	Brace - Right	1
13	048060	Wheel 15 x 8.00	2		650490	Hex.Hd.Cap Screw 3/8 x 1	4
14	054283 <sup>B</sup>	Universal Joint w/Sq. Shaft	1		(4) 3/8 HN 653010 - (4) 3/8 LW 654026		
		(Used before Serial No. 5186)		41	059753	Brace - Left	1
	061124	Universal Joint w/Sq. Shaft	1		650486	Hex.Hd.Cap Screw 5/16 x 3/4	2
		(Used after Serial No. 5185)			650490	Hex.Hd.Cap Screw 3/8 x 1	3
	570014	Grease Fitting	1		(2) 5/16 HN 653007 - (3) 3/8 HN 653010		
15	054284 <sup>B</sup>	Universal Joint w/Sq. Shaft	1		(2) 5/16 PW 654004 - (2) 5/16 LW 654024		
		(Used before Serial No. 5186)			(3) 3/8 LW 654026		
	061125 <sup>B</sup>	Universal Joint w/Spline Shaft	1	42	059754	Adjustable Plate - Front	1
		(Used after Serial No. 5185)			650491	Hex.Hd.Cap Screw 3/8 x 1-1/4	3
	570014	Grease Fitting	1		(3) 3/8 HN 653010 - (3) 3/8 LW 654026		
16	055690	Latch Handle	1	43	059756	PTO Adjustment Plate - Rear	1
17	055691	Latch Spring	1		650527	Carriage Bolt 1/2 x 1-1/4	2
18	055692	Latch Clip	1		650491	Hex.Hd.Cap Screw 3/8 x 1-1/4	3
19	056211	Compression Spring	1		(3) 3/8 HN 653010 - (2) 1/2 HLN 650806		
20	057142	Axle	1		(3) 3/8 LW 654026		
		(Used before Serial No. 5712)		44	059757	PTO Pedestal	1
	061277	Axle	1	45	059765	PTO Guard	1
		(Used after Serial No. 5711)			650448	Hex.Hd.Cap Screw 1/4 x 3/4	4
	650453	Hex.Hd.Cap Screw 1/2 x 1-1/2	4		(4) 1/4 HLN 650803 - (4) 1/4 PW 654002		
		(4) 1/2 HN 653018 - (4) 1/2 LW 654030		46	059766	PTO Shield	1
21	057570	Wheel Hub	2		650448	Hex.Hd.Cap Screw 1/4 x 3/4	2
22	057911	Wheel Hub Assembly	2		(2) 1/4 HLN 650802 - (2) 1/4 PW 654002		
23	058328	Hitch Pin 3/4 x 4-1/2	1	47	059773	Cut-off Cover	1
		(1) 3/4 HN 653026 - (2) 3/4 PW 654014			650487	Hex.Hd.Cap Screw 5/16 x 1	2
24	058394	Axle Extension	2		(2) 5/16 HN 653007 - (2) 5/16 LW 654024		
		(Used before Serial No. 5712)		48	059776	Cross Bar - Upper	1
25	058421	Grease Cap	2		650490	Hex.Hd.Cap Screw 3/8 x 1	2
26	058453	Brace	2		(2) 3/8 HN 653010 - (2) 3/8 PW 654006		
	650453	Hex.Hd.Cap Screw 1/2 x 1-1/2	4		(2) 3/8 LW 654026		
		(4) 1/2 HN 653018 - (4) 1/2 LW 654030		49	059777	Cross Bar - Lower	1
27	059272	Shear Bolt Holder	2		650490	Hex.Hd.Cap Screw 3/8 x 1	2
28	059553 <sup>C</sup>	Transmission Assembled	1		(2) 3/8 HN 653010 - (2) 3/8 PW 654006		
	065727	Hex.Hd.Cap Screw 1/2 x 1-1/4	4		(2) 3/8 LW 654026		
	AFTER 6500	(4) 1/2 LW 654030		50	060295	Hose Mount	1
29	059576	Tubular Drive	1		650486	Hex.Hd.Cap Screw 5/16 x 3/4	2
30	059691	Support	1		(2) 5/16 HLN 650804 - (2) 5/16 PW 654004		
	650453	Hex.Hd.Cap Screw 1/2 x 1-1/2	1	51	060512	Adjustable Axle	2
		(2) 1/2 HN 653018 - (2) 1/2 PW 654009			655020	Cotter Pin 3/16 x 1-1/2	2
		(2) 1/2 LW 654030			(2) 3/4 NF-HSN 650817 - (2) 3/4 PW 654014		
31	059692	Support Shim	2	52	060759	Drawbar Clip - Upper	1
32	059714	Frame Shield	1	53	060760	Drawbar Clip - Lower	1
	650448	Hex.Hd.Cap Screw 1/4 x 3/4	4	54	060979	Joint Retainer Bolt 1/2 NF x 1	1
	650486	Hex.Hd.Cap Screw 5/16 x 3/4	7	55	061006	Joint Retainer Wire	1
	650545	Hex.Hd.Cap Screw 5/16 x 1-1/4	1	56	061040	Sprocket Guard	1
		(4) 1/4 HN 653005 - (8) 5/16 HN 653007			650486	Hex.Hd.Cap Screw 5/16 x 3/4	2
33	059721	Rope Guide	1		650531	Self-Tapping Screw 1/4 x 1/2	3
34	059722	Insulator Clamp	1		(2) 5/16 HN 653007 - (2) 5/16 LW 654024		
	650486	Hex.Hd.Cap Screw 5/16 x 3/4	2	57	061687	Hex. Hd. Cap Screw 5/8 x 3-1/4	2
		(2) 5/16 HN 653007 - (2) 5/16 LW 654024		58	520054	Bearing Cup	2
35	059729	Shield Flange	1	59	520066	Ball Bearing	1
	650486	Hex.Hd.Cap Screw 5/16 x 3/4	2	60	520135	Thrust Bearing	1
		(2) 5/16 LW 654024 - (2) 5/16 HN 653007		61	520136	Thrust Washer	2
36	059731	Cover Flange	1	62	520199	Bearing Cup	2
37	059734	Latch Bracket	1	63	520200	Bearing Cone	2
	650486	Hex.Hd.Cap Screw 5/16 x 3/4	1	64	520201	Bearing Cone	2
		(1) 5/16 HN 653007 - (1) 5/16 LW 654024		65	666002	Steel Ball - 3/4	2
38	059735	Guard Mount	1				
	650486	Hex.Hd.Cap Screw 5/16 x 3/4	3				
		(3) 5/16 HN 653007 - (3) 5/16 PW 654004					
		(3) 5/16 LW 654024					

<sup>A</sup> See Page 24 for Hitch Jack Service Parts.

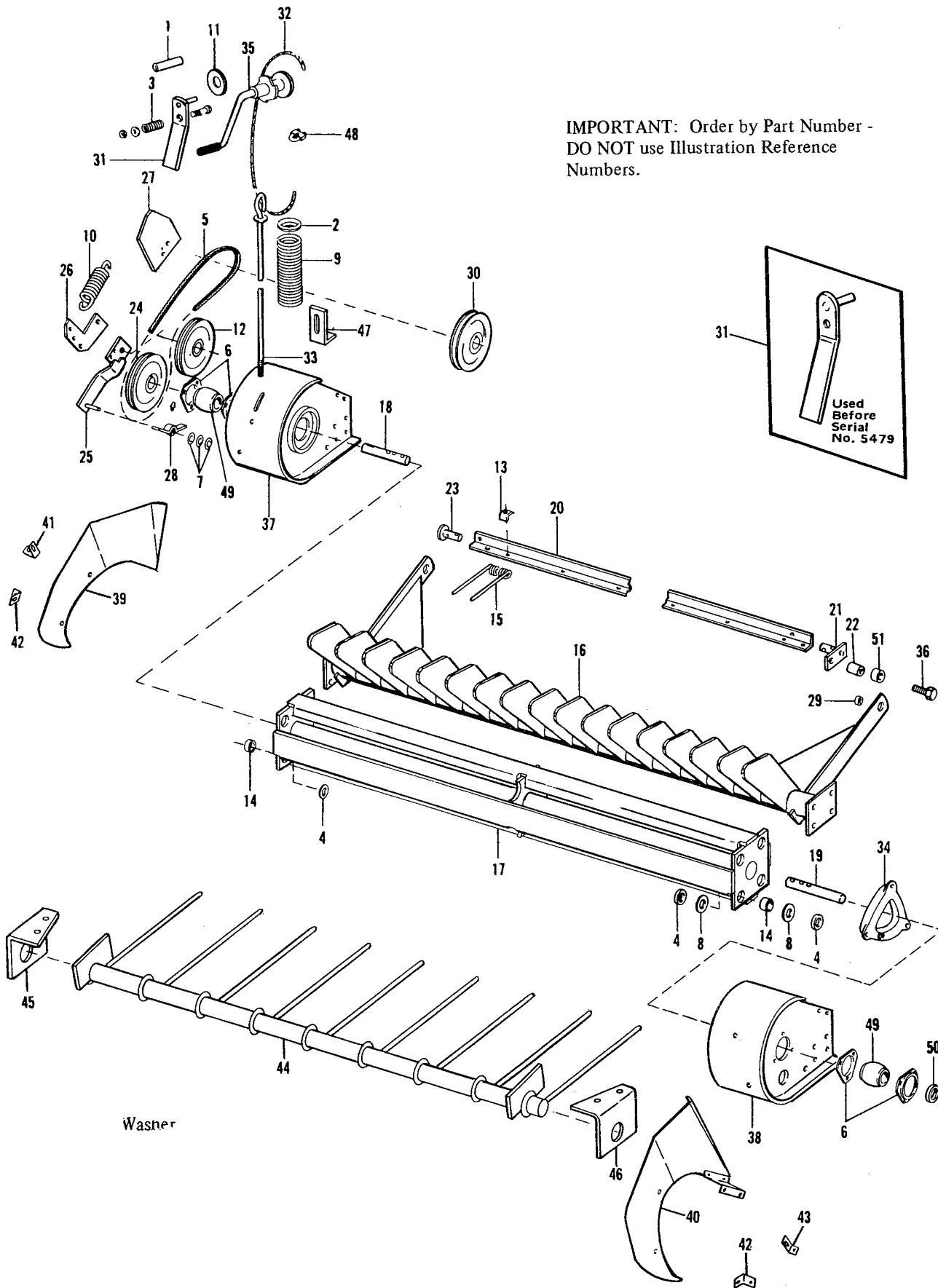
<sup>B</sup> See Page 23 for Universal Drive Service Parts.

<sup>C</sup> See Page 17 for Transmission Service Parts.

ALWAYS GIVE MODEL AND SERIAL NUMBER WHEN ORDERING SERVICE PARTS

# RB1500A - PICK-UP

IMPORTANT: Order by Part Number -  
DO NOT use Illustration Reference  
Numbers.





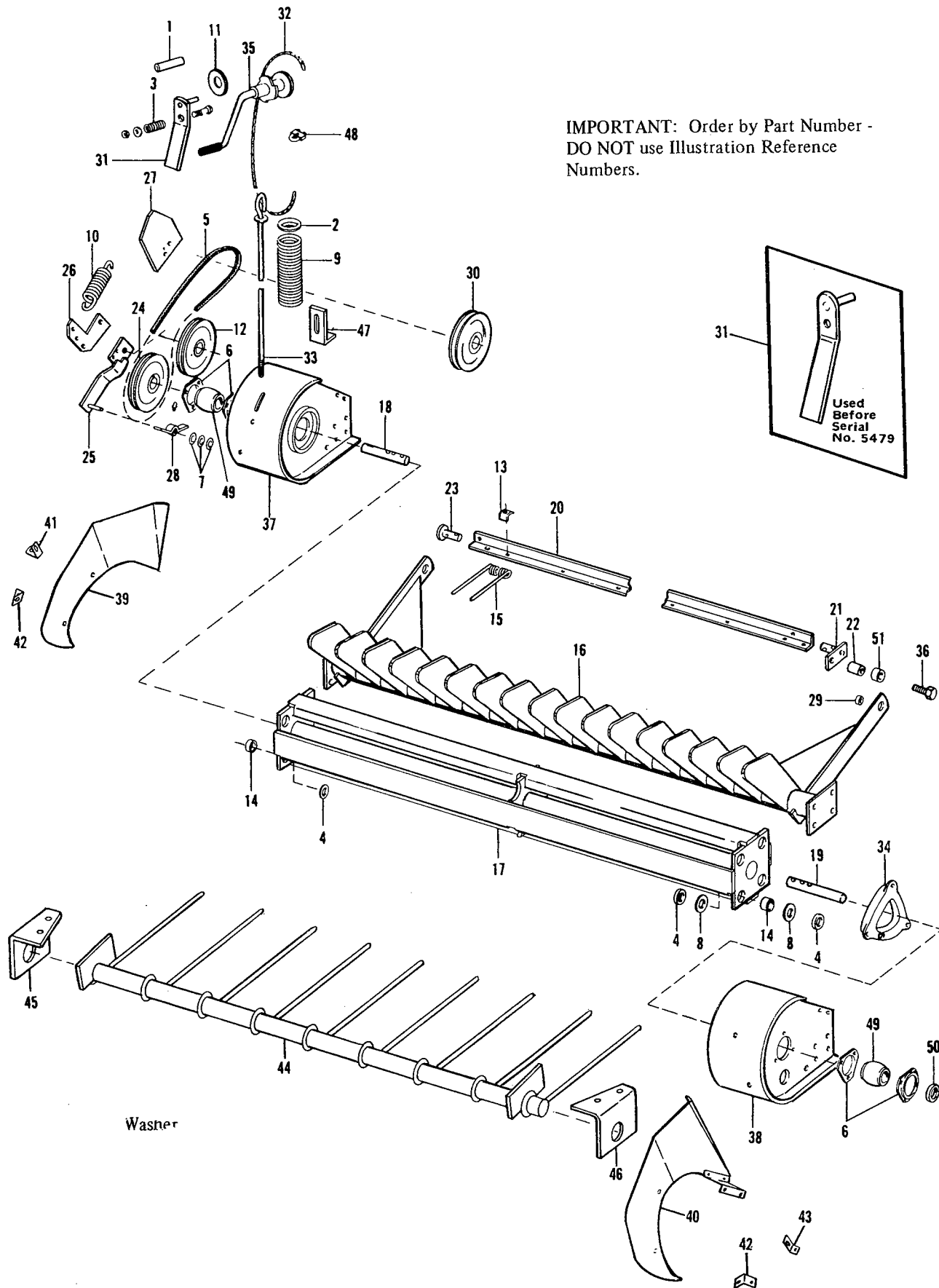
## RB1500A - PICK-UP

Ref. No.	Part No.	Part Name	No. Req.	Ref. No.	Part No.	Part Name	No. Req.
1	6H160	Spacer	1	33	057940	Spring Bolt	1
2	H190A	Spring Cup	1		(1) 3/8 HN 653010		
3	H6075	Clutch Spring	1	34	057982	Drum Cam	1
4	H7126	Shim Washer	As Req'd.	35	058796	Ratchet	1
5	H8035	Drive Belt	1	36	058920	Hex.Hd.Cap Screw 1/2 x 1-1/4	4
6	H8334	Bearing Retainer	4	37	059593	Pickup Header - Right	1
7	H8354	Retainer Washer	3		650490 Hex.Hd.Cap Screw 3/8 x 1		3
8	B11162B	Shim Washer	8		(3) 3/8 LW 654026		
9	C14084	Idler Tension Spring	1	38	059596	Pickup Header - Left	1
10	042667	Extension Spring	1		650490 Hex.Hd.Cap Screw 3/8 x 1		7
11	049061	Washer	1		650491 Hex.Hd.Cap Screw 3/8 x 1-1/4		3
12	053688	Idler/Belt	1		(8) 3/8 HN 653010 - (8) 3/8 LW 654026		
13	054031	Clip/Tine	32	39	059598	Pickup Guard - Right	1
14	056349	Tension Bushing	8		650269 Truss Head Screw 5/16 x 3/4		4
15	056350	Pickup Tine	32		650487 Hex.Hd.Cap Screw 5/16 x 1		3
16	057465	Stabilizer Bar	1		(4) 5/16 HN 653007 - (2) 5/16 HLN Gr. B 650804		
	650490	Hex.Hd.Cap Screw 3/8 x 1	4		(5) 5/16 PW 654004 - (4) 5/16 LW 654024		
	(4) 3/8 HN 653010 - (4) 3/8 LW 654026			40	059602	Pickup Guard - Left	1
17	057479	Pickup Drum	1		650269 Truss Head Screw 5/16 x 3/4		4
	650535	Hex.Hd.Cap Screw 3/8 x 2-1/4	4		650487 Hex.Hd.Cap Screw 5/16 x 1		3
	(4) 3/8 HLN 653074				(5) 5/16 HN 653007 - (4) 5/16 LW 654024		
18	057484	Pickup Shaft - Right 1-1/4 x 8	1		(5) 5/16 PW 654004 - (1) 5/16 HLN Gr. B 650804		
	650513	Woodruff Key 1/4 x 1	1	41	059606	Bracket - Right Upper	1
19	057485	Pickup Shaft 1-1/4 x 7-3/4	1		650269 Truss Head Screw 5/16 x 3/4		1
20	057486	Tine Support	4		650487 Hex.Hd.Cap Screw 5/16 x 1		1
	650400	Hex.Hd.Cap Screw 5/16 x 1	32		(1) 5/16 HN 653007		
	(32) 5/16 HLN 653072 - (32) 5/16 PW 654004				(1) 5/16 HLN Gr. B 650804		
21	057487	Cam Arm	4		(2) 5/16 PW 654004 - (1) 5/16 LW 654024		
22	057490	Cam Spacer	4	42	059607	Bracket - Center	2
23	057491	Pivot Pin	4		650269 Truss Head Screw 5/16 x 3/4		1
24	057497	Driven Sheave (7-1/2 Dia.)	1		650487 Hex.Hd.Cap Screw 5/16 x 1		1
	650204	S-L Soc.Hd.Set Screw 5/16 x 3/8	2		(1) 5/16 HN 653007		
25	057499	Idler Arm	1		(1) 5/16 HLN Gr. B 650804		
	650490	Hex.Hd.Cap Screw 3/8 x 1	2		(2) 5/16 PW 654004 - (1) 5/16 LW 654024		
	650647	Hex.Hd.Cap Screw 5/8 x 2	1	43	059608	Bracket - Left Upper	1
	(2) 3/8 HN 653010 - (1) 5/8 HN 653021				650269 Truss Head Screw 5/16 x 3/4		1
	(2) 3/8 LW 654026 - (1) 5/8 LW 654032				650487 Hex.Hd.Cap Screw 5/16 x 1		1
26	057504	Tension Plate	1		(1) 5/16 HN 653007		
27	057507	Belt Shield	1		(1) 5/16 HLN Gr. B 650804		
	650542	Hex.Hd.Cap Screw 1/4 x 1/2	2		(2) 5/16 PW 654004 - (1) 5/16 LW 654024		
	(2) 1/4 LW 654022			44	059748	Tine Hold - Down	1
28	057508	Idler Pivot	1	45	059750	Hold-Down Support - Right	1
	570009	Grease Fitting	1		650490 Hex.Hd.Cap Screw 3/8 x 1		2
	650490	Hex.Hd.Cap Screw 3/8 x 1	2		(2) 3/8 HN 653010 - (2) 3/8 LW 654026		
	(2) 3/8 HN 653010 - (2) 3/8 LW 654026			46	059751	Hold-Down Support - Left	1
29	057512	Pivot Bushing	2		650490 Hex.Hd.Cap Screw 3/8 x 1		2
	650497	Hex.Hd.Cap Screw 1/2 x 5-1/2	2		(2) 3/8 HN 653010 - (2) 3/8 LW 654026		
	(2) 1/2 HN 653018 - (4) 1/2 PW 654009			47	060636	Suspension Bracket	1
	(2) 1/2 LW 654030				650811 Carriage Bolt 1/2 x 1		1
30	057513	Drive Sheave Dia. 7.5	1		(1) 1/2 HN 653018 - (1) 1/2 LW 654030		
	650816	S-L Soc.Hd.Set Screw 5/16 x 3/4	2	48	060996	Clamp/Wire Rope	2
31	057936	Ratchet Release	1	49	520065	Ball Bearing	2
	(Used before Serial No. 5479)			50	520085	Bearing Collar	2
	061676	Ratchet Release Assembly	1	51	520175	Cam Roller	4
	(Used after Serial No. 5478)						
	(1) 5/16 HLN 650804 - (1) 5/16 PW 654004						
32	057939	Wire Rope	1				

ALWAYS GIVE MODEL AND SERIAL NUMBER WHEN ORDERING SERVICE PARTS

# RB1500A - PICK-UP

IMPORTANT: Order by Part Number -  
DO NOT use Illustration Reference  
Numbers.

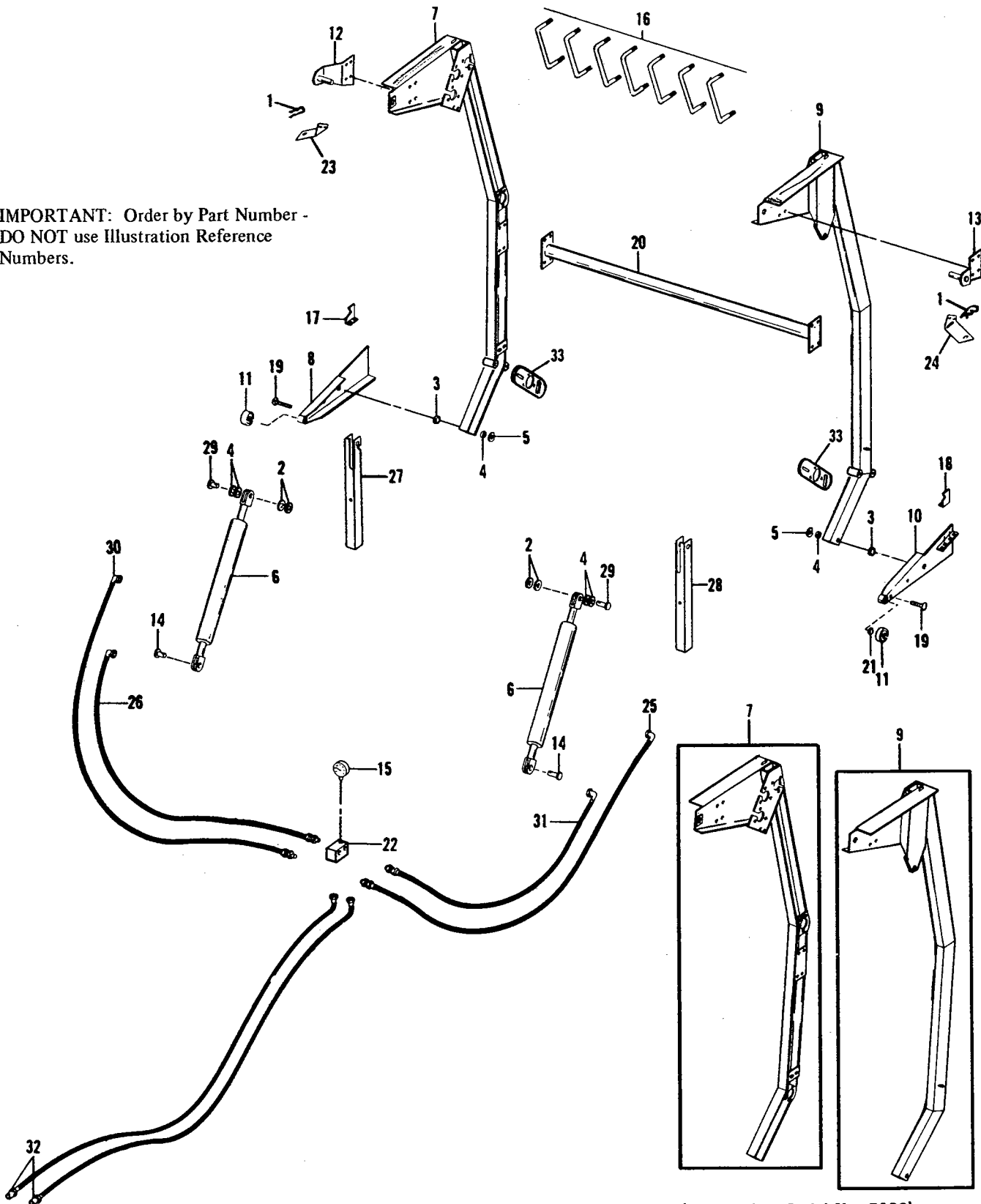


Ref. No.	Part No.	Part Name	No. Req.	Ref. No.	Part No.	Part Name	No. Req.
1	6H160	Spacer	1	33	057940	Spring Bolt	1
2	H190A	Spring Cup	1		(1) 3/8 HN 653010		
3	H6075	Clutch Spring	1	34	057982	Drum Cam	1
4	H7126	Shim Washer	As Req'd.	35	058796	Ratchet	1
5	H8035	Drive Belt	1	36	058920	Hex.Hd.Cap Screw 1/2 x 1-1/4	4
6	H8334	Bearing Retainer	4	37	059593	Pickup Header - Right	1
7	H8354	Retainer Washer	3		650490 Hex.Hd.Cap Screw 3/8 x 1		3
8	B11162B	Shim Washer	8		(3) 3/8 LW 654026		
9	C14084	Idler Tension Spring	1	38	059596	Pickup Header - Left	1
10	042667	Extension Spring	1		650490 Hex.Hd.Cap Screw 3/8 x 1		7
11	049061	Washer	1		650491 Hex.Hd.Cap Screw 3/8 x 1-1/4		3
12	053688	Idler/Belt	1		(8) 3/8 HN 653010 - (8) 3/8 LW 654026		
13	054031	Clip/Tine	32	39	059598	Pickup Guard - Right	1
14	056349	Tension Bushing	8		650269 Truss Head Screw 5/16 x 3/4		4
15	056350	Pickup Tine	32		650487 Hex.Hd.Cap Screw 5/16 x 1		3
16	057465	Stabilizer Bar	1		(4) 5/16 HN 653007 - (2) 5/16 HLN Gr.B 650804		
	650490	Hex.Hd.Cap Screw 3/8 x 1	4		(5) 5/16 PW 654004 - (4) 5/16 LW 654024		
	(4) 3/8 HN 653010 - (4) 3/8 LW 654026			40	059602	Pickup Guard - Left	1
17	057479	Pickup Drum	1		650269 Truss Head Screw 5/16 x 3/4		4
	650535	Hex.Hd.Cap Screw 3/8 x 2-1/4	4		650487 Hex.Hd.Cap Screw 5/16 x 1		3
	(4) 3/8 HLN 653074				(5) 5/16 HN 653007 - (4) 5/16 LW 654024		
18	057484	Pickup Shaft - Right 1-1/4 x 8	1		(5) 5/16 PW 654004 - (2) 5/16 HLN Gr.B 650804		
	650513	Woodruff Key 1/4 x 1	1	41	059606	Bracket - Right Upper	1
19	057485	Pickup Shaft 1-1/4 x 7-3/4	1		650269 Truss Head Screw 5/16 x 3/4		1
20	057486	Tine Support	4		650487 Hex.Hd.Cap Screw 5/16 x 1		1
	650400	Hex.Hd.Cap Screw 5/16 x 1	32		(1) 5/16 HN 653007		
	(32) 5/16 HLN 653072 - (32) 5/16 PW 654004				(1) 5/16 HLN Gr. B 650804		
21	057487	Cam Arm	4		(2) 5/16 PW 654004 - (1) 5/16 LW 654024		
22	057490	Cam Spacer	4	42	059607	Bracket - Center	2
23	057491	Pivot Pin	4		650269 Truss Head Screw 5/16 x 3/4		1
24	057497	Driven Sheave (7-1/2 Dia.)	1		650487 Hex.Hd.Cap Screw 5/16 x 1		1
	650204	S-L Soc.Hd.Set Screw 5/16 x 3/8	2		(1) 5/16 HN 653007		
25	057499	Idler Arm	1		(1) 5/16 HLN Gr. B 650804		
	650490	Hex.Hd.Cap Screw 3/8 x 1	2		(2) 5/16 PW 654004 - (1) 5/16 LW 654024		
	650647	Hex.Hd.Cap Screw 5/8 x 2	1	43	059608	Bracket - Left Upper	1
	(2) 3/8 HN 653010 - (1) 5/8 HN 653021				650269 Truss Head Screw 5/16 x 3/4		1
	(2) 3/8 LW 654026 - (1) 5/8 LW 654032				650487 Hex.Hd.Cap Screw 5/16 x 1		1
26	057504	Tension Plate	1		(1) 5/16 HN 653007		
27	057507	Belt Shield	1		(1) 5/16 HLN Gr. B 650804		
	650542	Hex.Hd.Cap Screw 1/4 x 1/2	2		(2) 5/16 PW 654004 - (1) 5/16 LW 654024		
	(2) 1/4 LW 654022			44	059748	Tine Hold - Down	1
28	057508	Idler Pivot	1	45	059750	Hold-Down Support - Right	1
	570009	Grease Fitting	1		650490 Hex.Hd.Cap Screw 3/8 x 1		2
	650490	Hex.Hd.Cap Screw 3/8 x 1	2		(2) 3/8 HN 653010 - (2) 3/8 LW 654026		
	(2) 3/8 HN 653010 - (2) 3/8 LW 654026			46	059751	Hold-Down Support - Left	1
29	057512	Pivot Bushing	2		650490 Hex.Hd.Cap Screw 3/8 x 1		2
	650497	Hex.Hd.Cap Screw 1/2 x 5-1/2	2		(2) 3/8 HN 653010 - (2) 3/8 LW 654026		
	(2) 1/2 HN 653018 - (4) 1/2 PW 654009			47	060636	Suspension Bracket	1
	(2) 1/2 LW 654030				650811 Carriage Bolt 1/2 x 1		1
30	057513	Drive Sheave Dia. 7.5	1		(1) 1/2 HN 653018 - (1) 1/2 LW 654030		
	650816	S-L Soc.Hd.Set Screw 5/16 x 3/4	2	48	060996	Clamp/Wire Rope	2
31	057936	Ratchet Release	1	49	520065	Ball Bearing	2
	(Used before Serial No. 5479)			50	520085	Bearing Collar	2
	061676	Ratchet Release Assembly	1	51	520175	Cam Roller	4
	(Used after Serial No. 5478)						
	(1) 5/16 HLN 650804 - (1) 5/16 PW 654004						
32	057939	Wire Rope	1				

ALWAYS GIVE MODEL AND SERIAL NUMBER WHEN ORDERING SERVICE PARTS

# RB1500A - REAR GATE

**IMPORTANT:** Order by Part Number -  
DO NOT use Illustration Reference  
Numbers.



(Used before Serial No. 5499)

ALWAYS GIVE MODEL AND SERIAL NUMBER WHEN ORDERING SERVICE PARTS

## RB1500A - REAR GATE

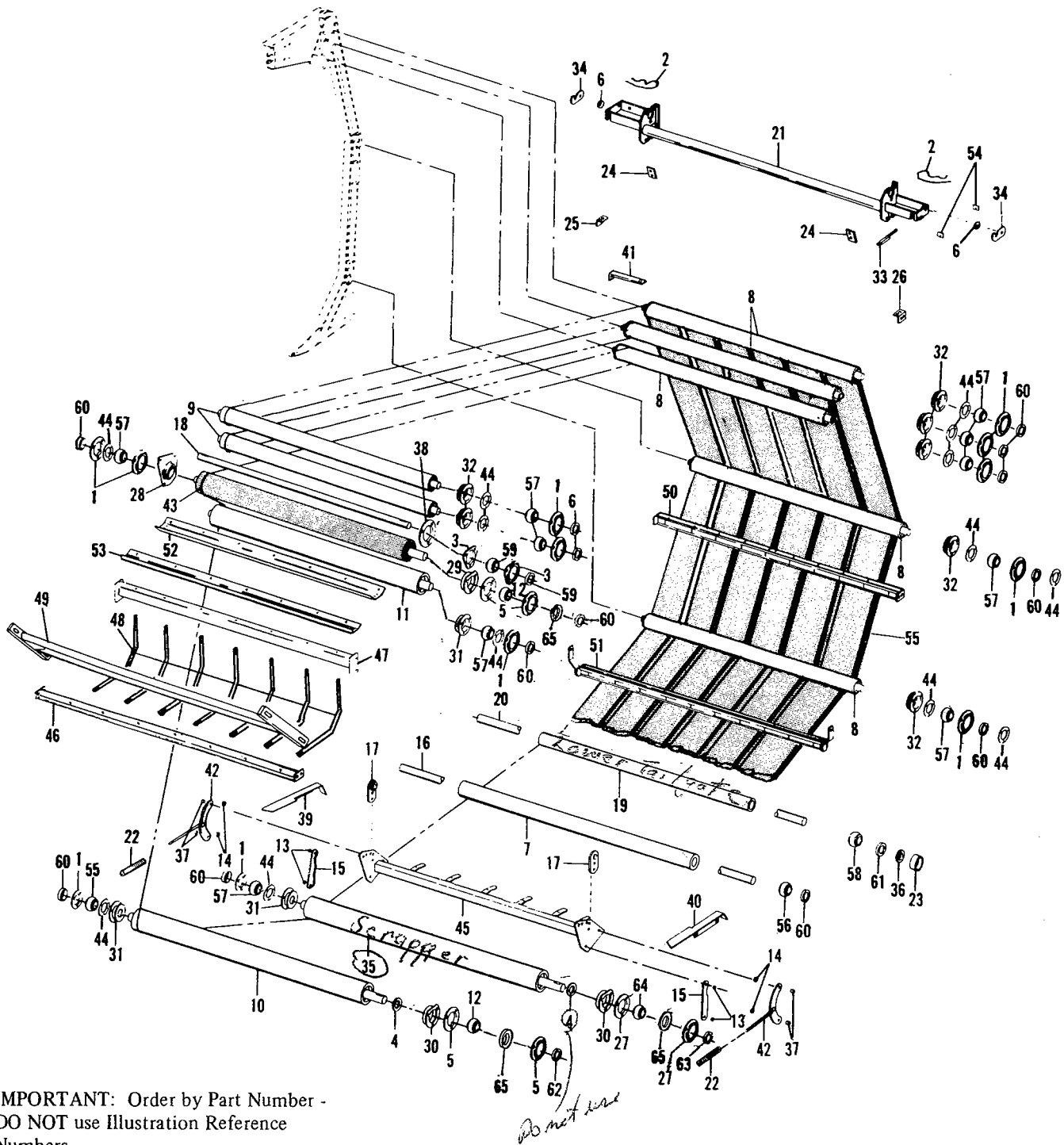
Ref. No.	Part No.	Part Name	No. Req.	Ref. No.	Part No.	Part Name	No. Req.
1	9H300	Lock Pin	2	14	057457	Cylinder Pin	2
2	H8054	Washer	8		655022	Cotter Pin 3/16 x 1-3/4	2
3	R13055	Bushing	2	15	057459	Pressure Gauge	1
		(Used before Serial No. 5716)		16	057953	Belt Guide Rod	7
	061831	Spacer	2		(28) 1/2 HN 653018		
		(Used after Serial No. 5715)		17	058542	Gate Stop - Right	1
4	M12306	Spacer	2		650490	Hex.Hd.Cap Screw 3/8 x 1	2
5	S16218	Spacer	2		(2) 3/8 HN 653010 - (2) 3/8 LW 654026		
6	056441 <sup>A</sup>	Hydraulic Cylinder	2	18	058543	Gate Stop - Left	1
7	057242	Gate - Right	1		650490	Hex.Hd.Cap Screw 3/8 x 1	2
		(Used before Serial No. 5499)			(2) 3/8 HN 653010 - (2) 3/8 LW 654026		
	061617	Gate Assembly - Right	1	19	058579	Carriage Bolt 1/2 x 3	2
		(Used after Serial No. 5498)			(4) 1/2 HN 653018 - (4) 1/2 PW 654009		
	650486	Hex.Hd.Cap Screw 5/16 x 3/4	3		(4) 3/8 HN 653010 - (4) 3/8 LW 654026		
	650490	Hex.Hd.Cap Screw 3/8 x 1	2	20	058884	Torsion Tube	1
	650491	Hex.Hd.Cap Screw 3/8 x 1-1/4	2		650494	Hex.Hd.Cap Screw 1/2 x 1	8
	650494	Hex.Hd.Cap Screw 1/2 x 1	4		(8) 1/2 HN 653018 - (8) 1/2 LW 654030		
	650453	Hex.Hd.Cap Screw 1/2 x 1-1/2	4	21	058690	Cam Spacer	1
		(3) 5/16 HLN 650804 - (4) 3/8 LW 654026		22	058963 <sup>B</sup>	Hydraulic Valve	1
		(4) 3/8 HN 653010 - (8) 1/2 LW 654030			650040	Hex.Hd.Cap Screw 5/16 x 2-1/2	2
		(8) 1/2 HN 653018			(2) 5/16 HN 653007 - (2) 5/16 LW 654024		
8	057256	Gate Head - Right	1	23	059689	Safety Bar Bracket - Right	1
	650689	S-L Sq.Hd.Set Screw 5/16 x 1-1/4	1		650453	Hex.Hd.Cap Screw 1/2 x 1-1/2	2
		D.P.	1		(2) 1/2 HN 653018 - (2) 1/2 LW 654030		
		(1) 5/16 HN 653007		24	059690	Safety Bar Bracket - Left	1
9	057262	Gate - Left	1		650453	Hex.Hd.Cap Screw 1/2 x 1-1/2	2
		(Used before Serial 5499)			(2) 1/2 HN 653018 - (2) 1/2 LW 654030		
	061619	Gate Assembly Left	1	25	059747	Baler Hose - 3/8 x 132	1
		(Used after Serial 5498)		26	059764	Cylinder Hose - R. Lower - 3/8 x 116	1
	650486	Hex.Hd.Cap Screw 5/16 x 3/4	3	27	059778	Support - Right	1
	650490	Hex.Hd.Cap Screw 3/8 x 1	2	28	059780	Support - Left	1
	650491	Hex.Hd.Cap Screw 3/8 x 1-1/4	2	29	059782	Top Cylinder Pin	2
	650494	Hex.Hd.Cap Screw 1/2 x 1	4		655022	Cotter Pin - 3/16 x 1-3/4	2
	650453	Hex.Hd.Cap Screw 1/2 x 1-1/2	4	30	059784	Baler Hose - 3/8 x 156	1
		(3) 5/16 HLN Gr. B 650804 - (4) 3/8 LW 650426		31	059785	Cylinder Hose - L. Lower - 3/8 x 100	1
		(4) 3/8 HN 653010 - (8) 1/2 LW 654030		32	059817	Tractor Hose - 3/8 x 132	2
		(8) 1/2 HN 653018		33	061620	Roller Adjustment Plate	2
10	057267	Gate Head - Left	1				
11	057274	Gate Cam	2				
	650388	Soc.Hd.Cap Screw 3/8 x 1	2				
		(4) 1/2 HN 653018 - (4) 1/2 LW 654030					
12	057280	Pivot Pin Bracket - Right	1				
	650453	Hex.Hd.Cap Screw 1/2 x 1-1/2	4				
		(4) 1/2 HN 653018 - (4) 1/2 LW 654030					
13	057283	Pivot Pin Bracket - Left	1				
	650453	Hex.Hd.Cap Screw 1/2 x 1-1/2	4				
		(4) 1/2 HN 653018 - (4) 1/2 LW 654030					

<sup>A</sup> To Order Hydraulic Cylinder Seal Kit Specify Part Number 057148.

<sup>B</sup> See Page 18 for Hydraulic Valve Service Parts.

ALWAYS GIVE MODEL AND SERIAL NUMBER WHEN ORDERING SERVICE PARTS

# RB1500A - UPPER ROLLERS



IMPORTANT: Order by Part Number -  
DO NOT use Illustration Reference  
Numbers.

Ref. No.	Part No.	Part Name	No. Req.	Ref. No.	Part No.	Part Name	No. Req.
1	H275	Bearing Retainer	20	8	056407	Tailgate Roller	5
2	9H300	Lock Pin	2	9	056408	Belt Tightener Roller	2
3	H8334	Bearing Retainer	4	10	056409	Drive Roller - Lower	1
4	B11162B	Shim Washer	2		655539	Woodruff Key 1/4 x 1-1/8	1
5	S16215	Bearing Retainer	4	11	056440	Idler Roller	1
	650490	Hex.Hd.Cap Screw 3/8 x 1	12	12	057179	Ball Bearing	2
	(12) 3/8 LW 654026			13	057185	Spacer	4
6	055142	Spring Washer	2	14	057186	Spacer	4
7	056406	Bale Starter Roller	1				

ALWAYS GIVE MODEL AND SERIAL NUMBER WHEN ORDERING SERVICE PARTS

## RB1500A - UPPER ROLLERS

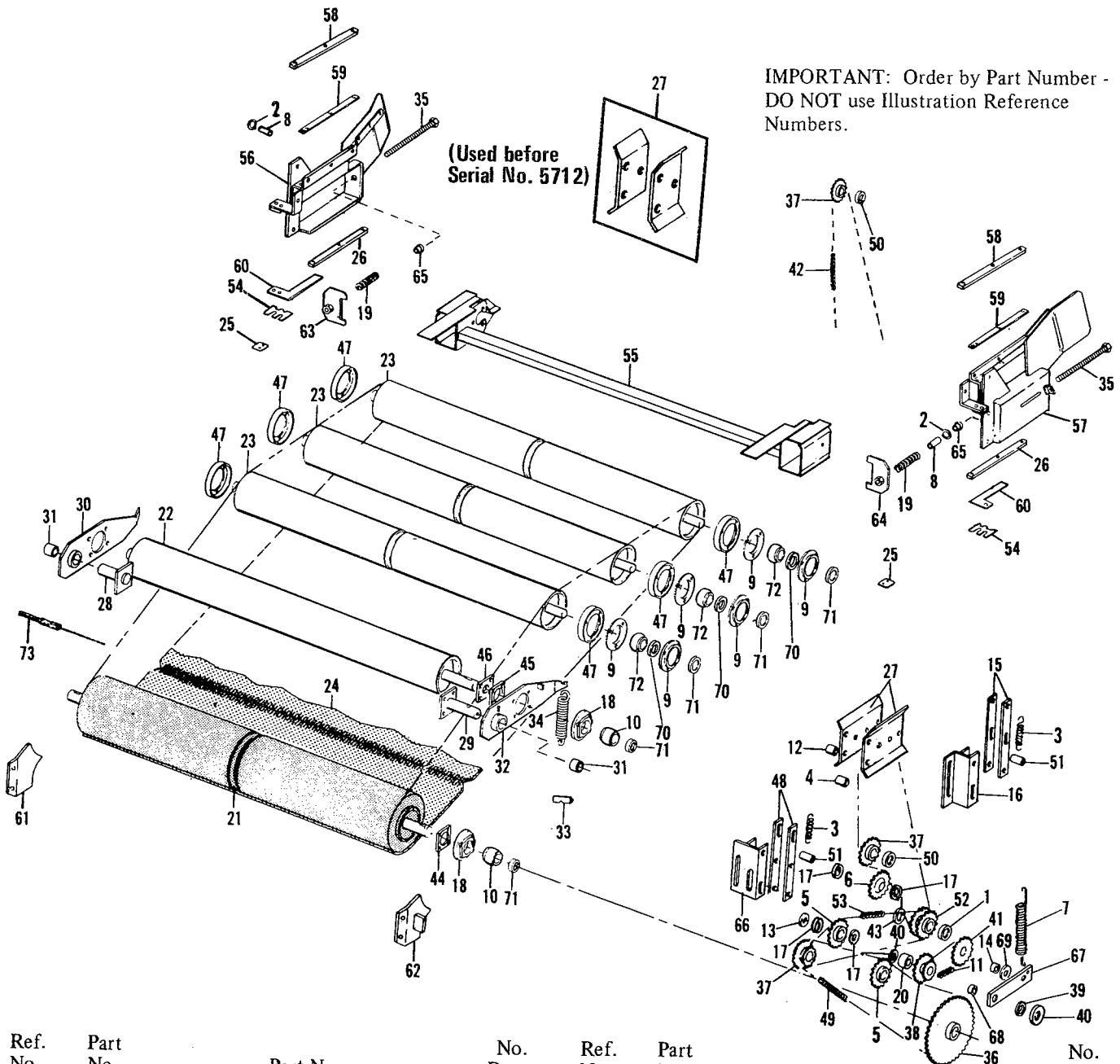
Ref. No.	Part No.	Part Name	No. Req.	Ref. No.	Part No.	Part Name	No. Req.
15	057187	Upper Link . . . . .	2	39	058508	Roll Shield - Right . . . . .	1
	650491	Hex.Hd.Cap Screw 3/8 x 1-1/4. . . . .	2		650486	Hex.Hd.Cap Screw 5/16 x 3/4. . . . .	2
	650579	Hex.Hd.Cap Screw 3/8 x 1-3/4. . . . .	2		(2) 5/16 HN 653007 - (2) 5/16 LW 654024		
		(4) 3/8 PW 654006 - (6) 3/8 HLN 650805		40	058510	Roll Shield - Left . . . . .	1
16	057194	Bale Starter Roller Shaft . . . . .	1		650486	Hex.Hd.Cap Screw 5/16 x 3/4. . . . .	2
17	057195	Starter Roller Support . . . . .	2		(2) 5/16 HN 653007 - (2) 5/16 LW 654024		
	650491	Hex.Hd.Cap Screw 3/8 x 1-1/4. . . . .	4	41	058534	Spring Anchor . . . . .	1
	650198	S-L.Soc.Hd.Set Screw 1/4 x 3/8 . . . . .	1		650491	Hex.Hd.Cap Screw 3/8 x 1-1/4 . . . . .	1
	650322	S-L.Soc.Hd.Set Screw 1/4 x 5/16 . . . . .	1		(1) 3/8 HN 653010 - (1) 3/8 LW 654026		
		(4) 3/8 HN 653010 - (4) 3/8 LW 654026		42	058537	Spring Rod Assembled . . . . .	2
18	057202	Stabilizer Shaft . . . . .	1		650493	Hex.Hd.Cap Screw 3/8 x 2-3/4 . . . . .	2
	655533	Woodruff Key 5/16 x 1 . . . . .	2		(4) 3/8 HLN 650805 - (2) 3/8 PW 654006		
19	057275	Roller - Lower . . . . .	1	43	058766	Ticor Roller . . . . .	1
20	057276	Roller Shaft . . . . .	1		655539	Woodruff Key 1/4 x 1-1/8 . . . . .	1
21	057362	Shuttle . . . . .	1	44	059537	Spacer . . . . .	23
	650809	Hex.Hd.Cap Screw 5/16 x 7/8. . . . .	12	45	059644	Bale Starter . . . . .	1
	650545	Hex.Hd.Cap Screw 5/16 x 1-1/4 . . . . .	1		650528	Hex.Hd.Cap Screw 3/8 x 2 . . . . .	2
		(1) 5/16 HN 653007 - (12) 5/16 HLN 650804			(4) 3/8 HLN Gr. B 650805 - (2) 3/8 PW 654006		
		(12) 5/16 PW 650810 - (1) 5/16 LW 654024		46	059645	Belt Guide - Front . . . . .	1
22	057515	Bale Starter Spring . . . . .	2		650490	Hex.Hd.Cap Screw 3/8 x 1 . . . . .	4
		(Used before Serial No. 5638)			(4) 3/8 HN 653010 - (4) 3/8 LW 654026		
	061508	Bale Starter Spring . . . . .	2	47	059647	Belt Guide - Front Upper . . . . .	1
		(Used after Serial No. 5637)			650491	Hex.Hd.Cap Screw 3/8 x 1-1/4 . . . . .	3
23	057947	Spacer . . . . .	2		(3) 3/8 HN 653010 - (2) 3/8 PW 654006		
24	057950	Belt Guide Angle Spacer . . . . .	2		(3) 3/8 LW 654026		
25	057951	Belt Guide Bracket - Right . . . . .	1	48	059650	Guide Rod - Front . . . . .	7
	650490	Hex.Hd.Cap Screw 3/8 x 1 . . . . .	4		(28) 1/2 HN 656018		
		(4) 3/8 HN 653010 - (4) 3/8 PW 654006		49	059651	Guard . . . . .	1
		(4) 3/8 LW 654026			650490	Hex.Hd.Cap Screw 3/8 x 1 . . . . .	4
26	057952	Belt Guide Bracket - Left . . . . .	1		(4) 3/8 HN 653010 - (4) 3/8 PW 654006		
	650490	Hex.Hd.Cap Screw 3/8 x 1 . . . . .	4		(4) 3/8 LW 654026		
27	057957	Bearing Retainer . . . . .	2	50	059683	Belt Guide - Center . . . . .	1
28	057962	Roll Shield - Right . . . . .	1		650490	Hex.Hd.Cap Screw 3/8 x 1 . . . . .	4
	650486	Hex.Hd.Cap Screw 5/16 x 3/4. . . . .	3		(4) 3/8 HN 653010 - (4) 3/8 PW 654006		
	650488	Hex.Hd.Cap Screw 3/8 x 3/4 . . . . .	3		(4) 3/8 LW 654026		
		(3) 5/16 HN 653007 - (3) 3/8 HN 653010		51	059686	Belt Guide - Lower . . . . .	1
		(3) 5/16 LW 654024 - (3) 3/8 LW 654026			650490	Hex.Hd.Cap Screw 3/8 x 1 . . . . .	2
29	057965	Roll Shield - Left . . . . .	1		(2) 3/8 HN 653010 - (2) 3/8 LW 654026		
	650490	Hex.Hd.Cap Screw 3/8 x 1 . . . . .	3	52	059687	Belt Guide Angle - Lower . . . . .	1
		(3) 3/8 HN 653010 - (3) 3/8 LW 654026			650490	Hex.Hd.Cap Screw 3/8 x 1 . . . . .	4
30	057967	Roll Shield - Left . . . . .	2		(4) 3/8 HN 653010 - (4) 3/8 LW 654026		
	650490	Hex.Hd.Cap Screw 3/8 x 1 . . . . .	3	53	059688	Belt Guide - Upper . . . . .	1
		(3) 3/8 HN 653010 - (3) 3/8 LW 654026			650491	Hex.Hd.Cap Screw 3/8 x 1-1/4 . . . . .	4
31	057969	Roll Shield . . . . .	4		(4) 3/8 HN 653010 - (4) 3/8 LW 654026		
	650486	Hex.Hd.Cap Screw 5/16 x 3/4. . . . .	12	54	059720	Take-Up Retainer . . . . .	2
		(12) 5/16 HN 653007 - (12) 5/16 LW 654024		55	059800 <sup>A</sup>	Baler Belt - Upper . . . . .	6
32	057971	Roll Shield . . . . .	14	56	520062	Ball Bearing . . . . .	2
	650486	Hex.Hd.Cap Screw 5/16 x 3/4. . . . .	12	57	520063	Ball Bearing . . . . .	19
	650809	Hex.Hd.Cap Screw 5/16 x 7/8. . . . .	30	58	520064	Ball Bearing . . . . .	2
		(42) 5/16 HLN Gr. B 650804		59	520065	Ball Bearing . . . . .	2
		(30) 5/16 PW Narrow 650810		60	520084	Bearing Lock Collar . . . . .	21
33	057977	Chain Take-Up . . . . .	1	61	520085	Bearing Lock Collar . . . . .	4
		(1) 1/2 HN 653018		62	520090	Bearing Lock Collar . . . . .	2
34	057980	Shuttle Hook . . . . .	2	63	520093	Bearing Lock Collar . . . . .	1
	650495	Hex.Hd.Cap Screw 1/2 x 1-1/4 . . . . .	2	64	520158	Ball Bearing . . . . .	1
		(2) 1/2 HLN 653077		65	061509	Flangette Shim . . . . .	3
35	058031	Drive Roller . . . . .	1				
	655537	Woodruff Key 5/16 x 1-1/4. . . . .	1				
36	058156	Spacer . . . . .	1				
37	058309	Spacer . . . . .	4				
38	058389	Bearing Spacer . . . . .	2				

<sup>A</sup>To Order 36" Dutchman (Belt Splice), Specify Part No. 059802.  
To Repair Belt, Specify Lacing Kit No. 901733.

*Cable only 060345*

ALWAYS GIVE MODEL AND SERIAL NUMBER WHEN ORDERING SERVICE PARTS

# RB1500A - LOWER ROLLERS



IMPORTANT: Order by Part Number - DO NOT use Illustration Reference Numbers.

(Used before Serial No. 5712)

Ref. No.	Part No.	Part Name	No. Req.
1	13H59	Set Collar	1
	650206	Soc.Hd.Set Screw 5/16 x 1/2	2
2	9H253	Washer	2
3	17H349	Spring	2
4	H6053B	Spacer	4
5	H7812	Idler Sprocket (15T)	2
6	D9130	Idler Sprocket (17T)	1
	650503	Hex.Hd.Cap Screw 1/2 x 2-1/2	1
		(1) 1/2 HN 653018 - (2) 1/2 PW 654009	
		(1) 1/2 LW 654030	
7	U10063	Stop Dog Spring	1
8	R13178	Spacer	2
9	SI6215	Bearing Retainer	12
	650490	Hex.Hd.Cap Screw 3/8 x 1	18
		(18) 3/8 LW 654026	
10	041499	Ball Bearing	4
11	042166	Chain (No. 50) of 42 Links Including One (500057) Connector Link	1
12	043192	Spacer	5
13	048459	Washer	1

Ref. No.	Part No.	Part Name	No. Req.
14	057578	Spacer	1
15	058440	Idler Arm	2
	650502	Hex.Hd.Cap Screw 1/2 x 2-1/4	1
		(1) 1/2 HN 653018 - (2) 1/2 PW 654009	
		(1) 1/2 LW 654030	
16	058442	Idler Bracket	1
	650492	Hex.Hd.Cap Screw 3/8 x 2-1/2	1
	650493	Hex.Hd.Cap Screw 3/8 x 2-3/4	1
		(2) 3/8 HLN 650805 - (2) 3/8 PW 654006	
17	055098	Washer	4
18	055986 <sup>B</sup>	Bearing Housing	4
		(Used before Serial No. 5716)	
	061809	Bearing Housing	4
		(Used after Serial No. 5715)	
	570004	Grease Fitting	2
	570005	Grease Fitting	1
	570010	Grease Fitting	1
	650533	Hex.Hd.Cap Screw 3/8 x 1-1/2	8
	650579	Hex.Hd.Cap Screw 3/8 x 1-3/4	8
		(8) 3/8 HN 653010 - (16) 3/8 LW 654026	



## RB1500A - LOWER ROLLERS

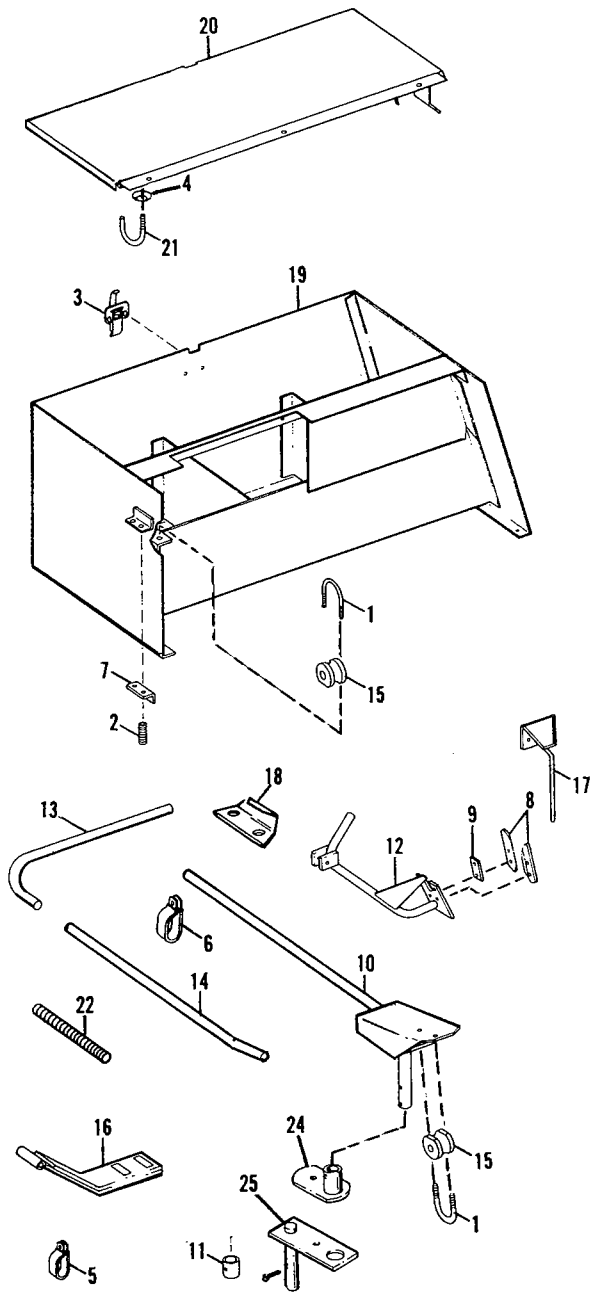
Ref. No.	Part No.	Part Name	No. Req.	Ref. No.	Part No.	Part Name	No. Req.
19	056344	Spring	2	49	058481	Chain (No. 60) of 118 Links Including	
20	056345	Needle Bearing	2			One (500160) Connector Link	1
21	056405	Belt Drive Roller	1	50	058489	Set Collar	2
	655536	Woodruff Key 3/8 x 1-1/4	1	51	058493	Idler Bracket Spacer	2
	655521	Tapered Key 3/8 x 2	1	52	058870	Double Sprocket (18T - 21T)	1
22	056410	Conditioner Roller	1	53	058872	Chain (No. 60) of 82 Links Including	
	655536	Woodruff Key 3/8 x 1-1/4	1			One (500160) Connector Link	1
23	056411	Belt Idler Roller	3	54	059526	Shim	2
24	056480 <sup>A</sup>	Baler Apron	1	55	059654	Belt Take-Up	1
25	057118	Lower Plate	2		650490	Hex.Hd.Cap Screw 3/8 x 1	6
	650491	Hex.Hd.Cap Screw 3/8 x 1-1/4	4		(6) 3/8 LW 654026		
	(4) 3/8 HN 653010 - (4) 3/8 LW 654026			56	059661	Cam Track - Right	1
26	057119	Cam Wear Plate	2		650314	Truss Head Screw 3/8 x 1	3
	650801	Flat Hd.Soc.Cap Screw 3/8 x 1	3		650491	Hex.Hd.Cap Screw 3/8 x 1-1/4	2
	(3) 3/8 HN 653010 - (3) 3/8 LW 654026				650801	Flat Hd.Soc.Cap Screw 3/8 x 1	4
27	057122	Chain Guide	2		650644	Hex.Hd.Cap Screw 1/2 x 3	3
	(Used before Serial No. 5712)				(9) 3/8 HN 653010 - (9) 3/8 LW 654026		
	061533	Chain Guide	2		(3) 1/2 HN 653018 - (3) 1/2 LW 654030		
	(Used after Serial No. 5711)			57	059673	Cam Track - Left	1
	650528	Hex.Hd.Cap Screw 3/8 x 2	1		650314	Truss Head Screw 3/8 x 1	3
	650731	Hex.Hd.Cap Screw 3/8 x 3-1/2	1		650453	Hex.Hd.Cap Screw 1/2 x 1-1/2	1
	(2) 3/8 LW 654026 - (2) 3/8 HN 653010				650491	Hex.Hd.Cap Screw 3/8 x 1-1/4	2
28	057160	Jack Shaft - Right	1		650644	Hex.Hd.Cap Screw 1/2 x 3	3
	650808	PW 1-1/4 Narrow	1		(5) 3/8 HN 653010 - (5) 3/8 LW 654026		
	655024	Cotter Pin 3/16 x 2	1		(4) 1/2 HN 653018 - (4) 1/2 LW 654030		
29	057163	Jack Shaft - Left	1	58	059682	Cam Spacer	4
	570002	Grease Fitting	1	59	060060	Shim	4
30	057165	Roll Arm - Right	1	60	060061	Shim	2
	570004	Grease Fitting	1	61	060062	Hay Shield - Right	1
31	057168	Bushing	2		650490	Hex.Hd.Cap Screw 3/8 x 1	2
32	057171	Roll Arm - Left	1		(2) 3/8 HN 653010 - (2) 3/8 LW 654026		
	570004	Grease Fitting	1	62	060064	Hay Shield - Left	1
33	057173	Spring Bracket	2		650490	Hex.Hd.Cap Screw 3/8 x 1	2
	650486	Hex.Hd.Cap Screw 5/16 x 3/4	2		(2) 3/8 HN 653010 - (2) 3/8 LW 654026		
	(2) 5/16 HN 653007 - (2) 5/16 LW 654024			63	060066	Take-Up Guide - Right	1
34	057174	Conditioner Roller Spring	2	64	060068	Take-Up Guide - Left	1
35	057232	Take-Up Bolt 5/8 x 14-1/2	2	65	060069	Snubber	2
	(2) 5/8 PW 654012			66	061039	Idler Bracket	1
36	057337	Sprocket (42T)	1		650492	Hex.Hd.Cap Screw 3/8 x 2-1/2	1
	650215	S-L Soc.Hd.Set Screw 3/8 x 1/2	2		650704	Carriage Bolt 3/8 x 1	2
37	057344	Sprocket (18T)	2		(1) 3/8 HN 653010 - (1) 3/8 HLN 650805		
38	057346	Double Sprocket (15T - 17T)	1		(1) 3/8 LW 654026		
39	057350	Thrust Bearing Washer	1	67	061500	Idler Arm	1
40	057351	Thrust Bearing Washer	2		650692	Hex.Hd.Cap Screw 5/16 x 1-3/4	1
41	057355	Sprocket (24T)	1		(1) 5/16 HLN 650804 Gr. B		
	650204	S-L Soc.Hd.Set Screw 5/16 x 3/8	2	68	061501	Spacer	1
42	057361	Chain (No. 50) of 240 Links Including		69	061502	Washer	1
		One (500057) Connector Link	1	70	061509	Flangette Shim	6
43	057617	Shim Washer	1	71	520093	Bearing Lock Collar	10
44	057958	Roll Plate	2	72	520158	Ball Bearing	6
45	057960	Conditioner Roller Cover	2	73	058399	Belt Lacing Connecting Pin	1
46	057961	Conditioner Roller Shield	2				
	650579	Hex.Hd.Cap Screw 3/8 x 1-3/4	8				
	(8) 3/8 HN 653010 - (8) 3/8 LW 654026						
47	058329	Shield	6				
48	058441	Idler Arm	2				
	650493	Hex.Hd.Cap Screw 3/8 x 2-3/4	1				
	650502	Hex.Hd.Cap Screw 1/2 x 2-1/4	1				
	(1) 3/8 HLN 650805 - (1) 1/2 HN 653018						
	(2) 3/8 PW 654006 - (2) 1/2 PW 654009						
	(1) 1/2 LW 654030						

<sup>A</sup>For Belt Repair, Specify Kit No. 061253, Consisting of Two Pins (901751) and One Apron Belt Dutchman (061254).

<sup>B</sup>For Replacement, Order Part No. 061809.

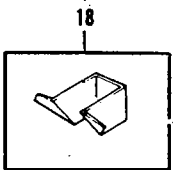
ALWAYS GIVE MODEL AND SERIAL NUMBER WHEN ORDERING SERVICE PARTS

# RB1500A - TWINE BOX AND TIE



**NOTE:** Grade 2 Shear Bolt used with Ref. No. 24.

**(Used before Serial No. 5001)**



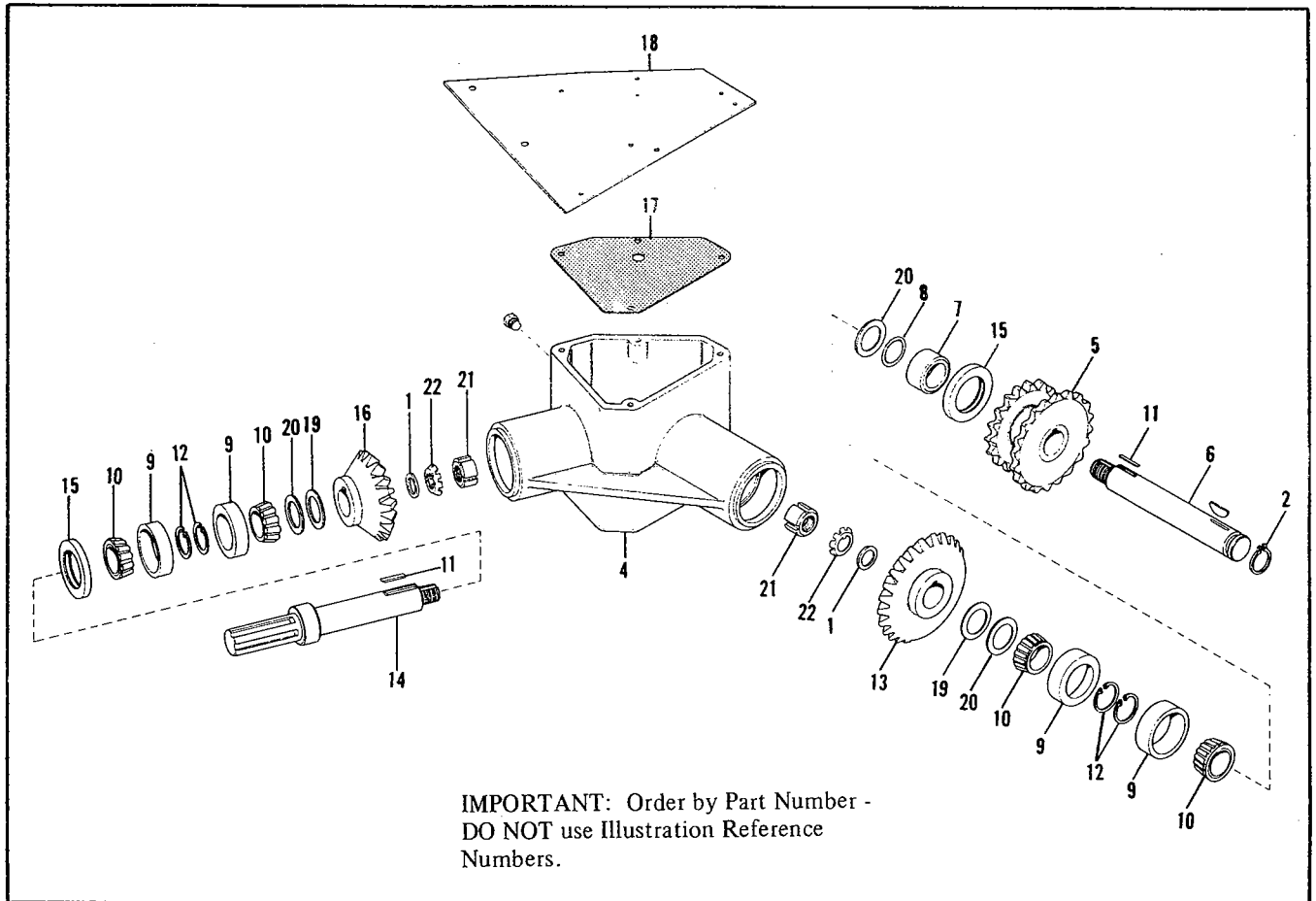
**(Used before Serial No. 5712)**

**IMPORTANT:** Order by Part Number - DO NOT use Illustration Reference Numbers.

Ref. No.	Part No.	Part Name	No. Req.
1	B11069	U-Bolt	2
		(4) 5/16 HN 653007 - (4) 5/16 LW 654024	
2	M12361	Spring	2
3	044116	Latch	1
	650812	Rd.Hd.Mach. Screw No.1224 x 1/2	2
		(2) No.1224 HN 650627 - (2) No.12 LW 650813	
4	054959	Bellville Washer	2
5	055021	Hose Clamp	1
	650545	Hex.Hd.Cap Screw 5/16 x 1-1/4	1
6	056773	Hose Clamp	4
7	057422	Twine Guide Angle	1
8	057919	Twine Knife	2
	650488	Hex.Hd.Cap Screw 1/4 x 3/4	4
		(4) 1/4 HN 653005 - (4) 1/4 LW 654022	
9	057920	Knife Spacer	1
10	059698	Twine Tube	1
		(Used before Serial No. 5001)	
	061050	Twine Tube	1
		(Used after Serial No. 5000)	
11	059708	Cylinder Spacer	1
	650568	Hex.Hd.Cap Screw 5/16 x 2	1
		(1) 5/16 HN 653007 - (1) 5/16 LW 654024	
12	059709	Twine Cut-off	1
	650568	Hex.Hd.Cap Screw 5/16 x 2	1
		(1) 5/16 HLN 653072	
13	059718	Tube Guide	1
14	059719	Cross Tube	1
15	059721	Rope Guide	2
16	059723	Cylinder Mount	1
	650527	Carriage Bolt 1/2 x 1-1/4	2
		(2) 1/2 HN 653018 - (2) 1/2 LW 654030	
17	059767	Twine Guide	1
	650487	Hex.Hd.Cap Screw 5/16 x 1	2
		(2) 5/16 HN 653007 - (2) 5/16 LW 654024	
18	059770	Cut-off Stop	1
		(Used before Serial No. 5712)	
	061712	Cut-off Stop	1
		(Used after Serial No. 5711)	
	650487	Hex.Hd.Cap Screw 5/16 x 1	2
		(2) 5/16 HN 653007 - (2) 5/16 LW 654024	
19	059786	Twine Box	1
	650449	Hex.Hd.Cap Screw 1/4 x 2-1/2	2
	650486	Hex.Hd.Cap Screw 5/16 x 3/4	5
		(2) 1/4 HLN 650803 - (2) 1/4 PW 654002	
		(5) 5/16 HN 653007 - (5) 5/16 LW 654024	
20	059794	Twine Box Cover	1
	650486	Hex.Hd.Cap Screw 5/16 x 3/4	3
		(3) 5/16 HN 653007 - (3) 5/16 LW 654024	
21	059799	Twine Bolt	2
		(4) 1/4 HLN 650803	
22	060302	Support Rod	1
		(2) 1/2 HN 653018 - (2) 1/2 HJN 653044	
		(2) 1/2 LW 654009	
23	060637 <sup>A</sup>	Rod End Lever	1
		(Used before Serial No. 5001)	
24	061052	Activating Lever	1
		(Used after Serial No. 5000)	
	650528	Hex.Hd.Cap Screw 3/8 x 2	1
		(1) 3/8 HLN 650805	
25	061055	Activating Lever Arm	1
		(Used after Serial No. 5001)	
	650008	Hex.Hd.Cap Screw 1/4 x 1 Gr. 2	1
		(1) 1/4 HLN 650803	

<sup>A</sup> Replaced by 061052 and 061055.

**ALWAYS GIVE MODEL AND SERIAL NUMBER WHEN ORDERING SERVICE PARTS**

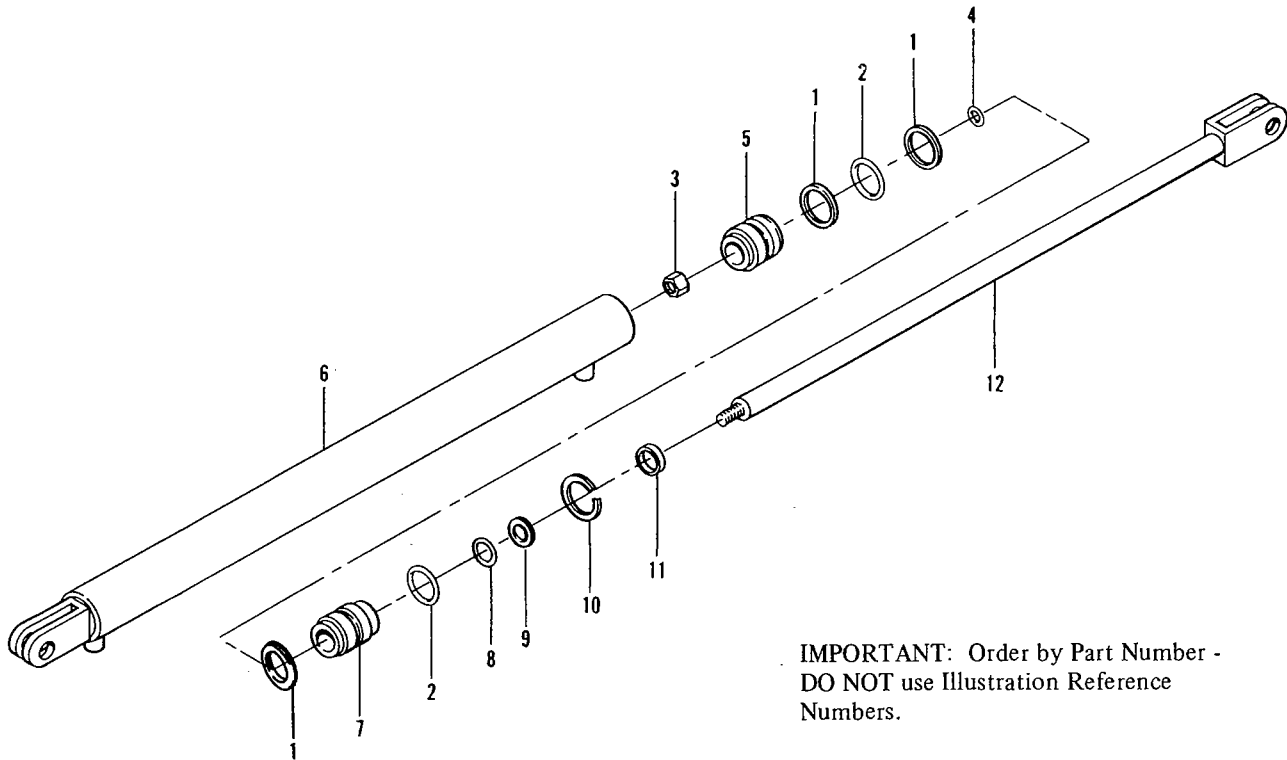


3

Ref. No.	Part No.	Part Name	No. Req.	Ref. No.	Part No.	Part Name	No. Req.
1	H7667	Washer	2	11	059566	Key 3/8 x 3/8 x 1-1/2	2
2	054161	Snap Ring	1	12	059567	Snap Ring	4
3	059553	Transmission Assembled	1	13	059568	Transmission Gear - 23T	1
4	059554	Transmission Housing	1	14	059569	Drive Shaft	1
	660004	Pipe Plug - 1/2	1	15	059572	Oil Seal	2
5	059556	Double Sprocket (18T - 23T)	1	16	059573	Transmission Gear - 17T	1
		(Used before Serial No. 5712)		17	059574	Cover Gasket	1
	061282	Double Sprocket (16T - 18T)	1	18	059575	Transmission Cover	1
		(Used after Serial No. 5711)			570016	Relief Fitting	1
6	059561	Drive Shaft 1-3/8 x 9-11/16	1		650486	Hex.Hd.Cap Screw 5/16 x 3/4	4
	655536	Woodruff Key 3/8 x 1-1/4	1		(4) 5/16 LW 654024		
7	059562	Hub	1	19	060515	Shim Washer	As Req'd.
8	059563	O-Ring	1	20	060516	Shim Washer	As Req'd.
9	059564	Bearing Cup	4	21	520000	Lock Nut	2
10	059565	Bearing Cone	4	22	520001	Lock Washer	2

ALWAYS GIVE MODEL AND SERIAL NUMBER WHEN ORDERING SERVICE PARTS

# RB1500A - HYDRAULIC CYLINDER

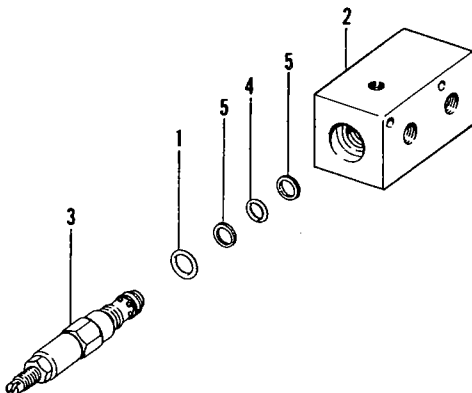


**IMPORTANT:** Order by Part Number -  
DO NOT use Illustration Reference  
Numbers.

Ref. No.	Part No.	Part Name	No. Req.	Ref. No.	Part No.	Part Name	No. Req.
	056441 <sup>A</sup>	Hydraulic Cylinder Assembled	2	7	057154	Cylinder Head	1
1	055073	Back-Up Washer	3	8	057155	O-Ring	1
2	055074	O-Ring	2	9	057156	Back-Up Washer	1
3	057149	Retainer Nut	1	10	057157	Snap Ring	1
4	057150	O-Ring	1	11	057158	Dust Seal	1
5	057151	Piston	1	12	057159	Cylinder Shaft	1
6	057153	Cylinder Barrel	1				

<sup>A</sup>To Order Hydraulic Cylinder Seal Kit  
Specify Part Number 057148

# RB1500A - HYDRAULIC VALVE



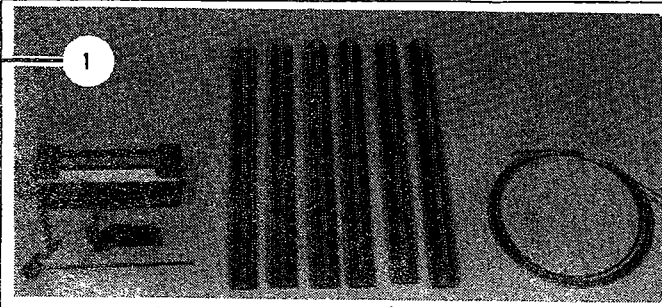
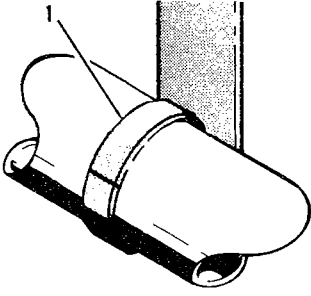
Ref. No.	Part No.	Part Name	No. Req.
	058963	Hydraulic Valve	1
1	055898	O-Ring 15/16 O.D.	1
2	058964	Relief Valve Body	1
3	058965 <sup>A</sup>	Valve Cartridge Assembled	1
4	058966	O-Ring 5/8 O.D.	1
5	059390	Back-up Ring	2

<sup>A</sup>Cartridge Assembled includes Part Numbers  
055898, 058966 and 059390.

ALWAYS GIVE MODEL AND SERIAL NUMBER WHEN ORDERING SERVICE PARTS

**LACING KIT**

Ref. No.	Part No.	Part Name	No. Req.
1	801086	Lacing Kit .....	1
Consisting of:			
		Vice Lacer .....	1
		4-1/2" Clipper Hook Cards .....	6
		72" - Cable .....	1

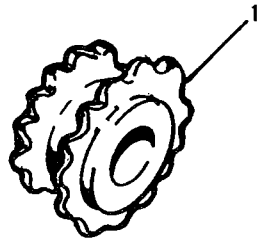
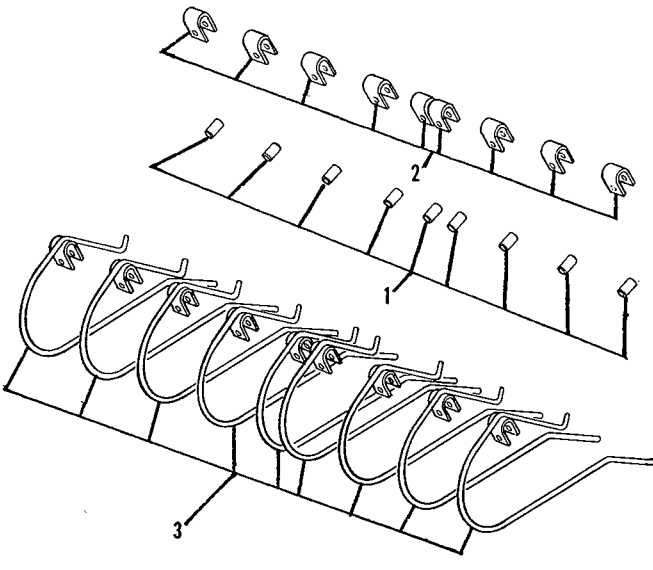



**ROLLER FRICTION SURFACE KIT**

Ref. No.	Part No.	Part Name	No. Req.
1	901716	Roller Friction Surface Kit	
Consists of:			
		Friction Strip .....	6

**SLOW-DOWN SPROCKET KIT**

Ref. No.	Part No.	Part Name	No. Req.
	901757	Slow-Down Sprocket Kit	
Consists of:			
1	060621	Sprocket Assembly - 13T & 15T .....	1
	650213	Soc.Hd.Set Screw 3/8 x 3/8 .....	2

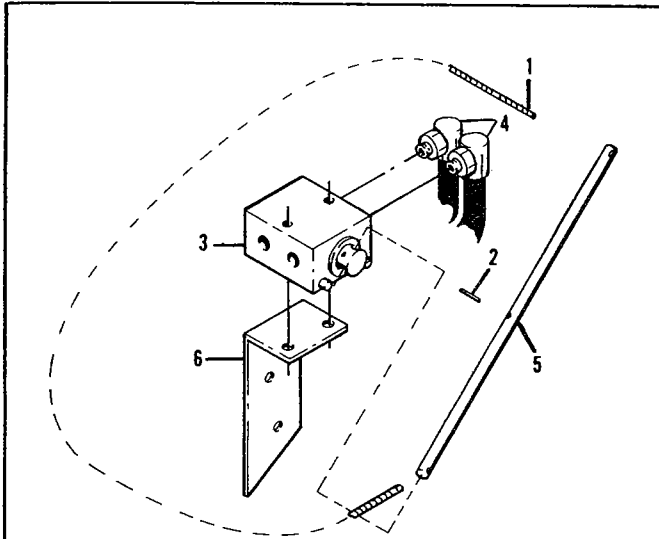



**IMPORTANT:** Order by Part Number - DO NOT use Illustration Reference Numbers.

**LIGHT CROP HOLD-DOWN KIT**  
*068042*

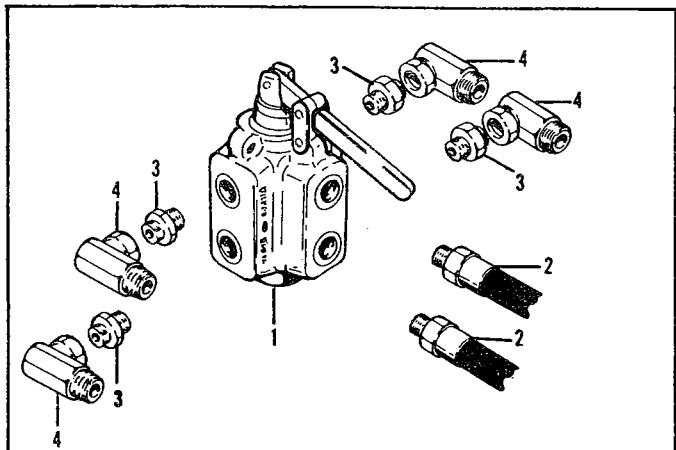
Ref. No.	Part No.	Part Name	No. Req.
	901755	Light Crop Hold-Down Kit	
Consists of:			
1	043616	Spacer .....	9
2	058841	Clamp .....	9
	650568	Hex.Hd.Bolt 5/16 x 2 .....	18
	(18) 5/16 HLN 650804		
3	060495	Hold-Down Tine .....	9

ALWAYS GIVE MODEL AND SERIAL NUMBER WHEN ORDERING SERVICE PARTS



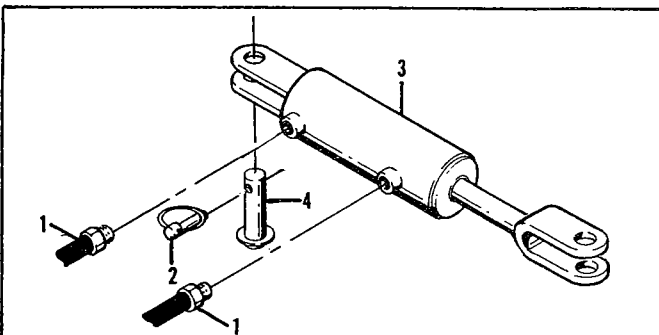
**MANUAL HYDRAULIC SHUT-OFF KIT**

Ref. No.	Part No.	Part Name	No. Req.
	801051	Manual Hydraulic Shut-Off Kit Consists of:	
1	R13081E	Cord	1
2	050270	Spring Pin	1
3	059421	Valve Assembled	1
4	059426	Hose	2
5	059427	Handle	1
6	060596	Valve Mount	1
	650491	Hex.Hd.Cap Screw 3/8 x 1-1/4	2
	650784	Hex.Hd.Cap Screw 5/16 x 2-3/4	2
		(4) 5/16 HN 653007 - (4) 5/16 LW 654024	



**DUAL HYDRAULICS KIT**

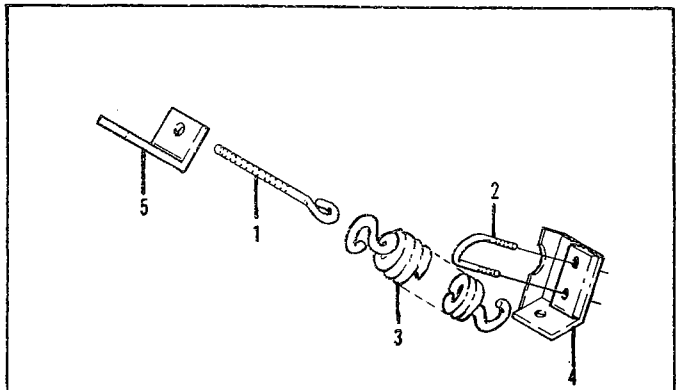
Ref. No.	Part No.	Part Name	No. Req.
	801087	Dual Hydraulics Kit Consists of:	
1	060597	Double Selector Valve	1
	650818	Hex.Hd.Cap Screw 3/8 x 3	2
		(2) 3/8 HN 653010 - (2) 3/8 LW 654026	
2	060598	Hose	2
3	060599	Nipple - 3/4" Hex.	4
4	060600	Union	4



**TWINE WRAPPING HYDRAULIC KIT**

Ref. No.	Part No.	Part Name	No. Req.
	801088	Twine Wrapping Hydraulic Kit Consists of:	
1	059539	Hose Assembly - 120"	2
2	060471	Klick Pin	1
3	060626 <sup>A</sup>	Cylinder - 3" Bore x 8" Stroke	1
4	060629	Pin Assembly	1

<sup>A</sup>For Cylinder Repair Kit, Order Part No. 060627.

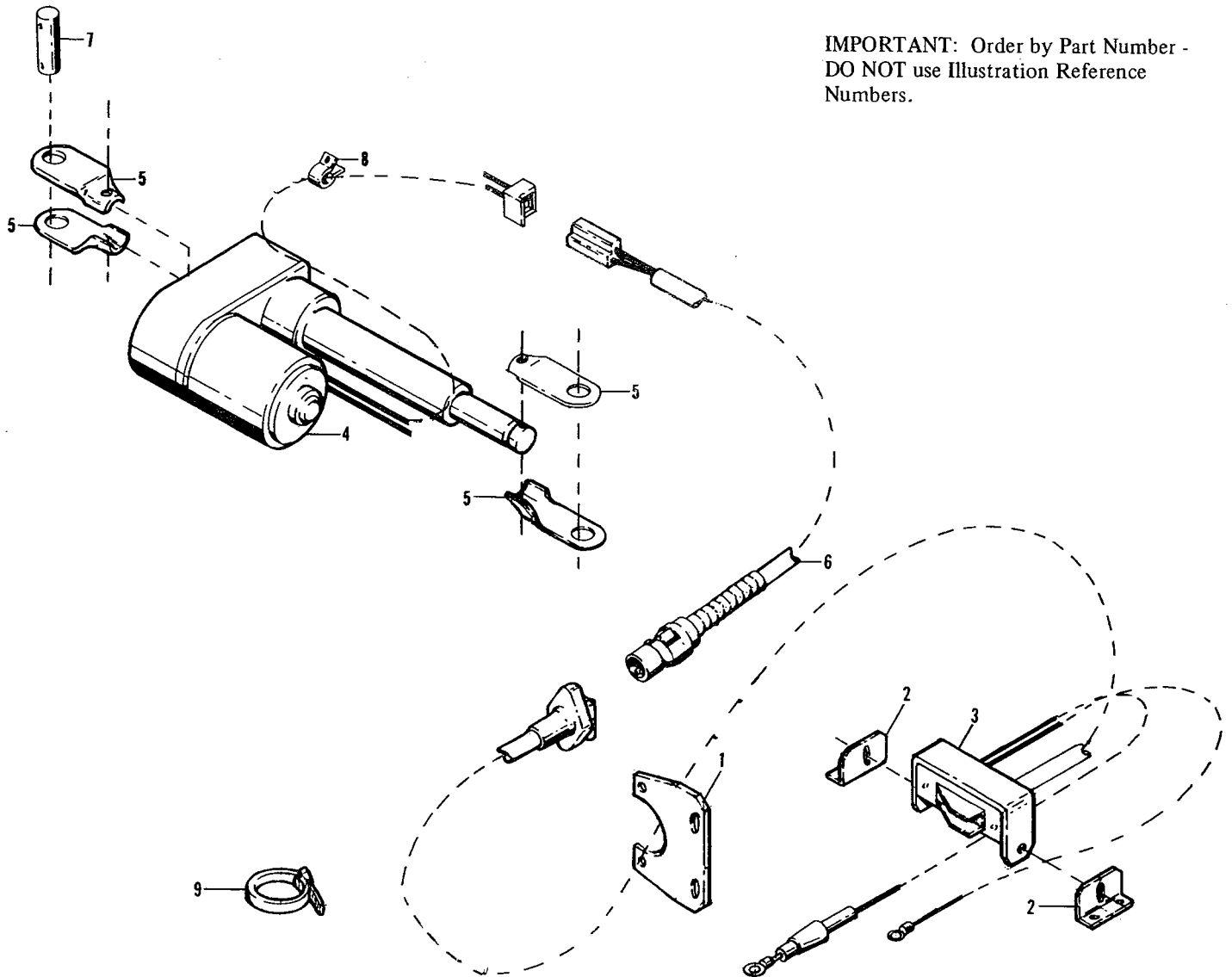


**HAY HOLD-DOWN SPRING KIT**

Ref. No.	Part No.	Part Name	No. Req.
	901734	Hay Hold-Down Spring Kit Consists of:	
1	17H281	Eye Bolt	1
		(2) 3/8 HN 653010 - (1) 3/8 PW 654006	
2	056486	U-Bolt	1
		(2) 5/16 HN 653007 - (2) 5/16 LW 654024	
3	057174	Spring	1
4	060340	Spring Bracket	1
5	060344	Eye Bolt Bracket	1
	650491	Hex.Hd.Cap Screw 3/8 x 1-1/4	1

ALWAYS GIVE MODEL AND SERIAL NUMBER WHEN ORDERING SERVICE PARTS

IMPORTANT: Order by Part Number -  
DO NOT use Illustration Reference  
Numbers.



**ELECTRIC TWINE MECHANISM KIT**

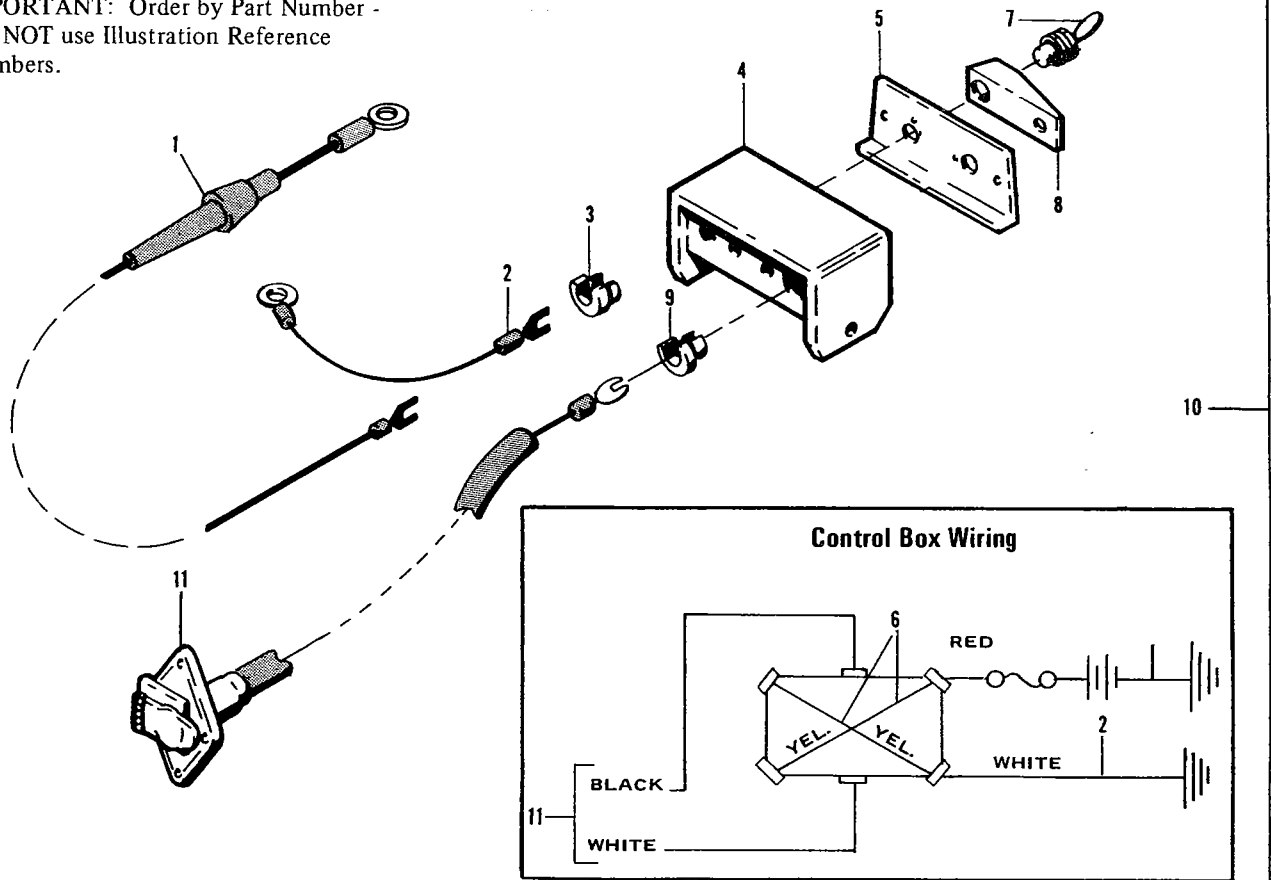
Ref. No.	Part No.	Part Name	No. Req.	Ref. No.	Part No.	Part Name	No. Req.
	801143	Electric Twine Mechanism Kit	1	5	061059	Yoke Clip	4
		Consists of:			650585	Hex.Hd.Cap Screw 1/2 x 2	2
1	059052	Receptacle Bracket	1		(2) 1/2 HLN 650806		
	650487	Hex.Hd.Cap Screw 5/16 x 1	2	6	061060	Power Cable	1
	(2) 5/16 HN 653007 - (2) 5/16 PW 654004				650448	Hex.Hd.Cap Screw 1/4 x 3/4	2
	(2) 5/16 LW 654024				(2) 1/4 HN 653005 - (2) 1/4 LW 654022		
2	059053	Mounting Bracket	2	7	061061	Cylinder Pin	1
	650448	Hex.Hd.Cap Screw 1/4 x 3/4	4		655024	Cotter Pin 3/16 x 2	2
	(4) 1/4 HN 653005 - (4) 1/4 LW 654022			8	061062	Wire Clamp	5
3	060375 <sup>A</sup>	Control Box Assembly	1		650490	Hex.Hd.Cap Screw 3/8 x 1	3
	650260	Ph.Tr.Hd.Mach. Screw 1/4 x 1/2	2		(3) 3/8 HLN 650805 - (6) 3/8 PW 654006		
	(2) 1/4 HN 653005 - (2) 1/4 LW 654022			9	620040	Wire Wrap	1
4	061058	Actuator	1				

<sup>A</sup>For Control Box Service, Refer to Page 22.

ALWAYS GIVE MODEL AND SERIAL NUMBER WHEN ORDERING SERVICE PARTS

# RB1500A - ACCESSORIES

IMPORTANT: Order by Part Number -  
DO NOT use Illustration Reference  
Numbers.



## CONTROL BOX

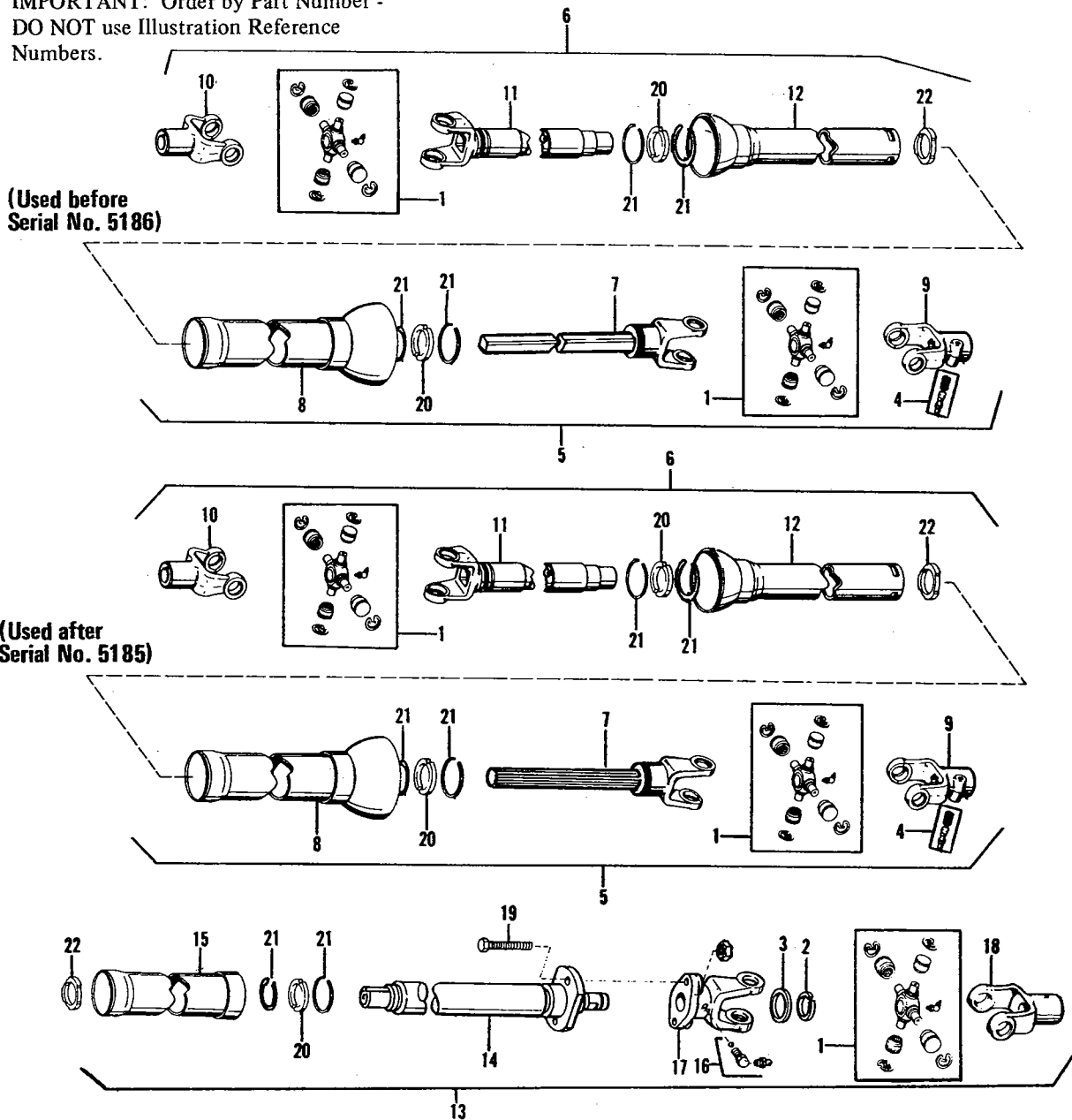
Ref. No.	Part No.	Part Name	No. Req.
1	057778	Power Cable	1
2	057779	Ground Cable	1
3	057781	Bushing	1
4	059055	Control Box	1
5	059059	Switch Plate	1
	650260	Truss Hd. Screw 1/4 x 1/2	1
		(1) 1/4 HN 653005 - (1) 1/4 PW 654002	
		(1) 1/4 LW 654022	
6	059064	Cable (Yellow)	1
7	059299	Toggle Switch	1
8	059320	Toggle Guard	1
9	059321	Strain Relief Bushing	1
10	060375	Control Box Assembled	1
11	060376	Tractor Cable	1

ALWAYS GIVE MODEL AND SERIAL NUMBER WHEN ORDERING SERVICE PARTS



# RB1500A - UNIVERSAL DRIVES

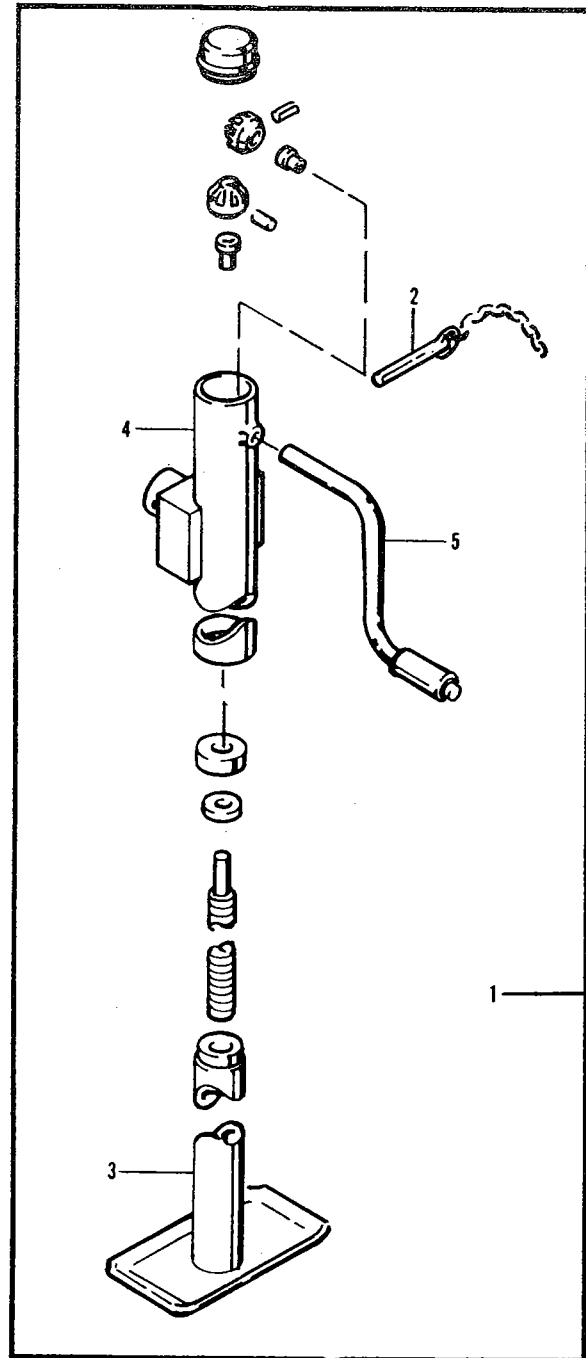
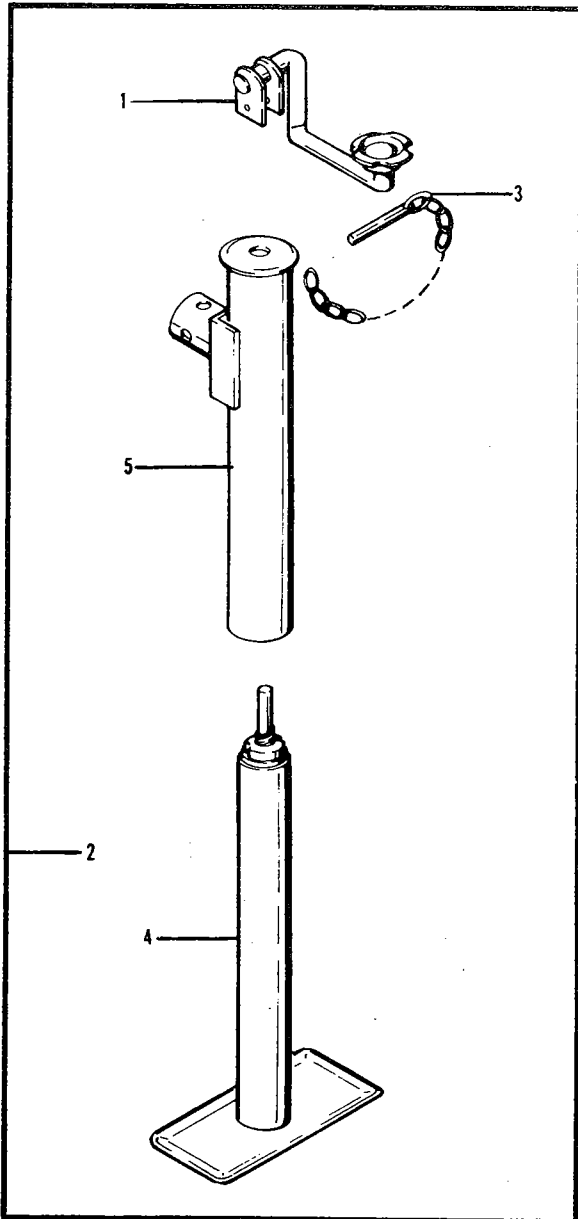
**IMPORTANT:** Order by Part Number -  
DO NOT use Illustration Reference  
Numbers.



Ref. No.	Part No.	Part Name	No. Req.	Ref. No.	Part No.	Part Name	No. Req.
1	045327	Center Cross Kit	3	8	055354	Female Guard	1
	570014	Grease Fitting	3	9	055355	Tractor Yoke - 6 Spline	1
2	045882	Retaining Ring	1	10	055356	Yoke - 1-5/16 Bore	1
3	045883	Washer	1	11	055357	Yoke w/Square Tube	1
4	053865	Lock Pin w/Spring	1			(Used before Serial No. 5186)	
5	054283	Universal Joint w/Square Shaft	1	061127		Yoke w/Splined Tube	1
		(Used before Serial No. 5186)				(Used after Serial No. 5185)	
	061124	Universal Joint w/Spline Shaft	1	12	055358	Male Guard	1
		(Used after Serial No. 5185)		13	059576	Universal Joint w/Shear Flange	1
	570014	Grease Fitting	1	14	059577	Drive Shaft	1
6	054284	Universal Joint w/Square Tube	1	15	059578	Tube Guard	1
		(Used before Serial No. 5186)		16	059579	Lube Fitting and Ball	1
	061125	Universal Joint w/Spline Shaft	1	17	059580	Shear Yoke	1
		(Used after Serial No. 5185)		18	059581	Yoke	1
	570014	Grease Fitting	1	19	060388	Shear Bolt 5/16 x 1-3/4 Gr. 2	1
7	055353	Yoke w/Square Shaft	1		(1) 5/16 HLN 653073		
		(Used before Serial No. 5186)		20	510023	Nylon Bearing	3
	061126	Yoke w/Spline Shaft	1	21	510100	Bearing Retainer	6
		(Used after Serial No. 5185)		22	510215	Nylon Centralizer	2

# RB1500A - HITCH JACK

IMPORTANT: Order by Part Number -  
DO NOT use Illustration Reference  
Numbers.



Ref. No.	Part No.	Part Name	No. Req.	Ref. No.	Part No.	Part Name	No. Req.
1	055682	Jack Crank . . . . .	1	1	S16119 <sup>A</sup>	Hitch Jack . . . . .	1
2	061019	Hitch Jack . . . . .	1	2	061276	Pin and Chain . . . . .	1
3	061276	Pin and Chain . . . . .	1	3	061293	Jack Tube - Inside . . . . .	1
4	061341	Jack Tube - Inside . . . . .	1	4	061294	Jack Tube - Outside . . . . .	1
5	061342	Jack Tube - Outside . . . . .	1	5	061295	Jack Crank . . . . .	1

<sup>A</sup> To Order Jack Bearings, Gears and Thrust Washer,  
Specify Part Number 061296.

ALWAYS GIVE MODEL AND SERIAL NUMBER WHEN ORDERING SERVICE PARTS

# DECAL LOCATIONS

Decal locations are shown to assist in application of new decals in the event of damage to the decal or refinishing of the machine. Check below for their locations.

If the unit is repainted all safety and instruction decals must be replaced along with the Gehl decal.

Surfaces must be free from dirt, dust, grease and other foreign material before applying decals. To apply decals, remove the smaller portion of the decal backing paper and apply this part of the exposed adhesive backing to the clean surface in respective position. Peel other portion of the backing paper off slowly and apply other part of decal.

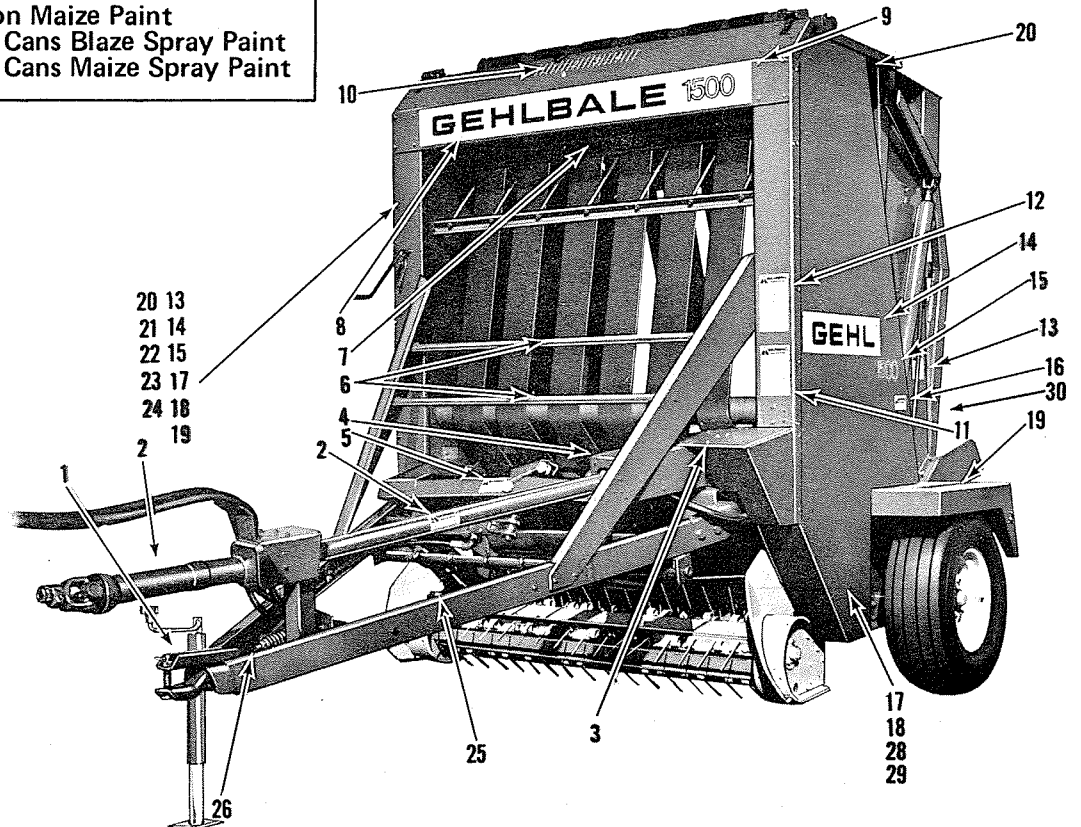
The Decal Set Number for RB1500A is 060483. The set includes the following Decals.

1	- 058311	Notice - Transmission Fluid	16	- 060146	Warning - Doors
2	- 060143	Warning - PTO (Two Places)	17	- 060149	Warning - Moving Belts (Two Places)
3	- 061057	Shear Bolts	18	- 060142	Warning - Spring Coils (Two Places)
4	- 060138	Oil Level	19	- 055100	Non-Skid Surface Strip (Two Places)
5	- 060141	Warning - Twine Mechanism	20	- 060151	Notice - Belt Tension (Two Places)
6	- 060150	No Step (Two Places)	21	- 060514	Non-Skid Surface Strip
7	- 059825	Warning - Moving Belts	22	- 060148	General Operation
8	- 061203	Gehl	23	- 060147	Operating Instructions
9	- 061287	Bale 1500	24	- 060139	Notice - Spare Twine
10	- 058529	Bale Size Indicator	25	- 060510	Jack Storage Position
11	- 060140	Warning - Safety	26	- 060511	Jack Lifting Position
12	- 060144	Warning - Safety	27	- 060509	Patent (Not Shown)
13	- 060145	Warning - Gate (Two Places)	28	- 061830	Chain Tightener Adjustment
14	- 061203	Gehl (Two Places)	29	- 061829	Pickup Adjustment
15	- 061288	1500 (Two Places)	30	- 061832	Belt Tracking

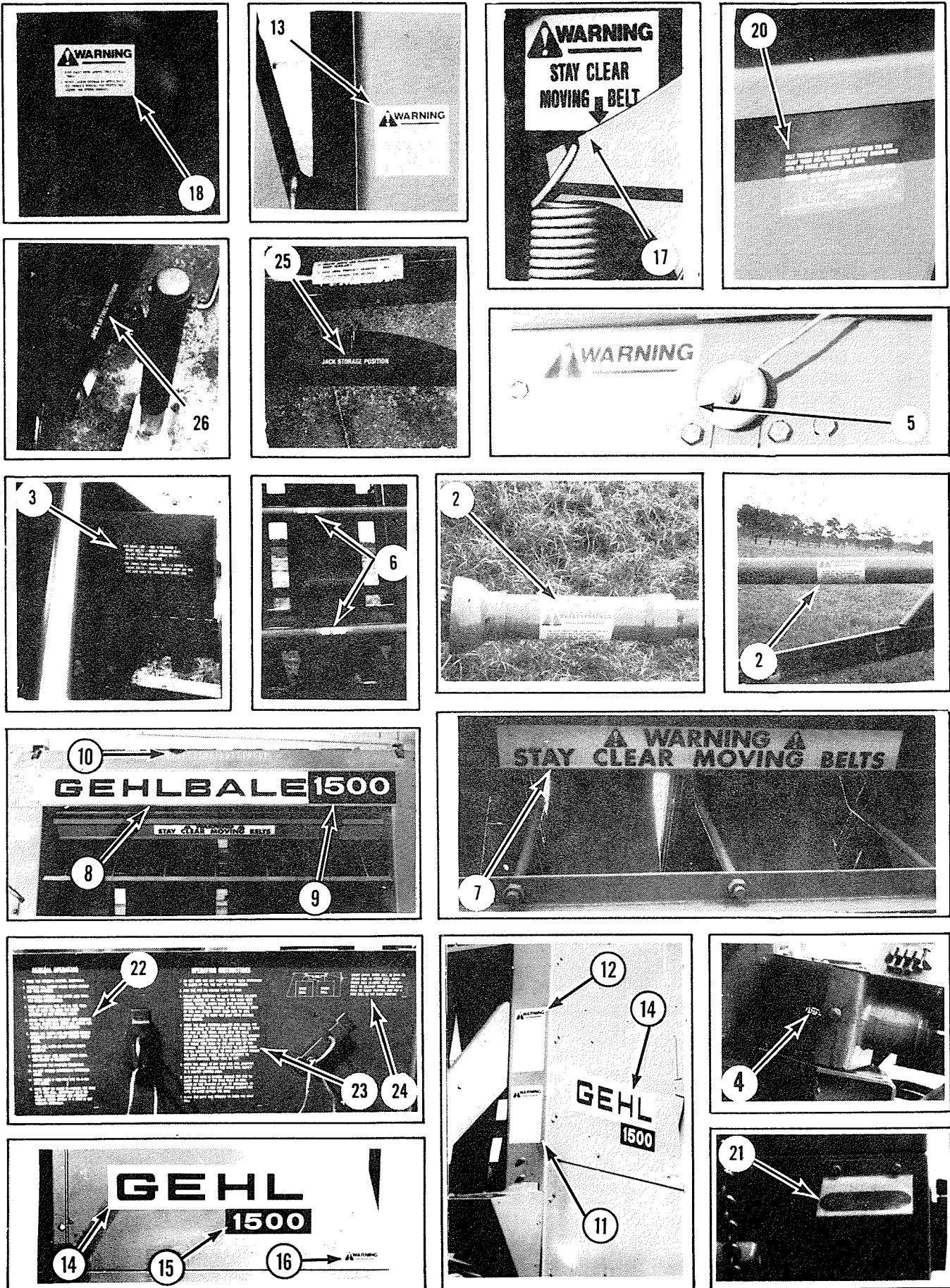
## NOTICE

Order paint for refinishing machines from this list:

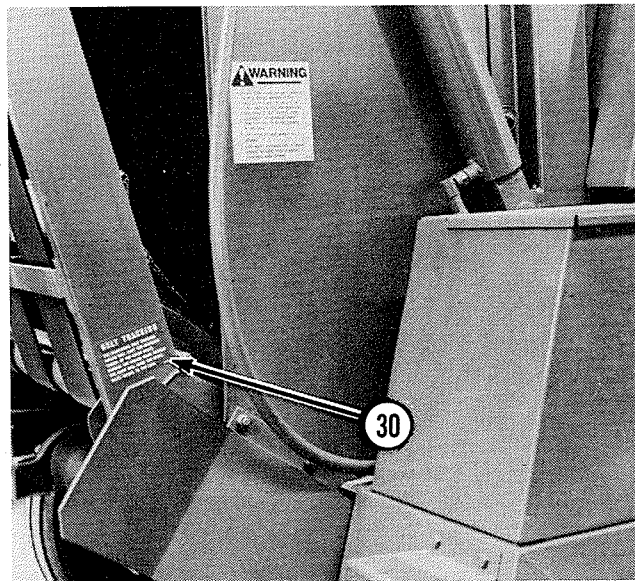
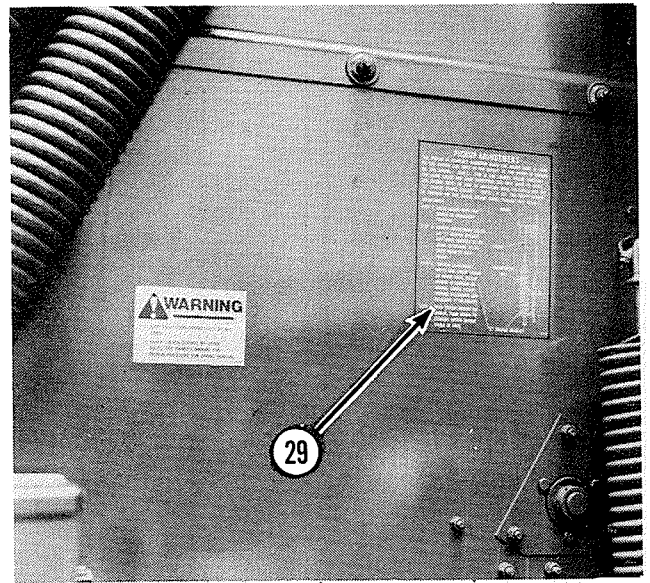
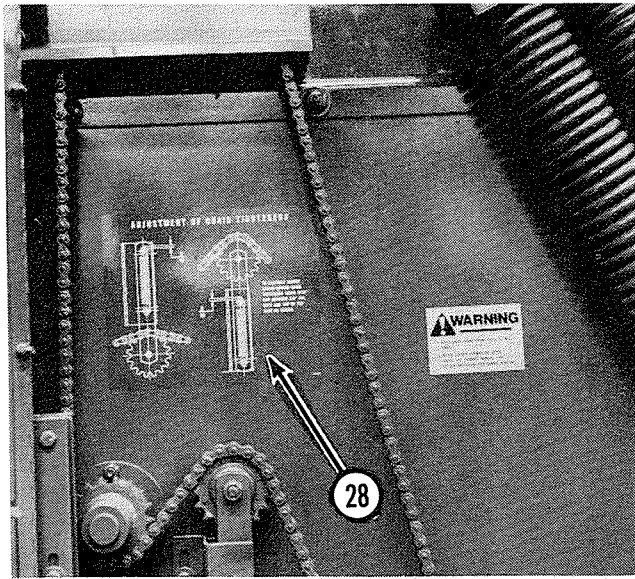
- 901225 One Gallon Blaze Paint
- 901226 One Gallon Maize Paint
- 901295 6(12 oz.) Cans Blaze Spray Paint
- 901296 6(12 oz.) Cans Maize Spray Paint



# DECAL LOCATIONS



(Decal Locations Continued on Next Page)



RB1500A - NUMERICAL INDEX

Part No.	Page No.	Part No.	Page No.	Part No.	Page No.	Part No.	Page No.
13H59	14	054031	9	057165	11	057778	22
7K73	4	054161	17	057168	15	057779	22
	<b>100</b>	054283	6-23	057171	15	057781	22
6H160	9	054284	6-23	057173	15	057883	4
H190A	9	054959	4	057174	15-20	057911	6
9H253	6-14		<b>055000</b>	057179	12	057919	16
H275	12	055021	16	057181	4	057920	16
17H281	20	055073	18	057185	12	057931	4
9H300	6-11-12	055074	18	057186	12	057935	4
17H349	14	055098	14	057187	13	057936	9
H714B	4	055100	28	057194	13	057939	9
D932A	6	055142	12	057195	13	057940	9
	<b>1000</b>	055353	23	057202	13	057945	4
H6053B	14	055354	23	057232	4-15	057947	11
H6057B	4	055355	23	057242	11	057948	4
H6075	9	055356	23	057256	11	057950	11
H6094	6	055357	23	057262	11	057951	11
H6172	6	055358	23	057267	11	057952	11
H7126	9	055682	24	057274	11	057953	11
H7667	17	055690	6	057275	13	057957	11
H7812	14	055691	6	057276	13	057958	15
H8035	9	055692	6	057280	11	057959	4
H8054	6-11	055898	18	057283	11	057960	15
H8334	9-12		<b>056000</b>	057300	4	057961	15
H8354	9	056211	6	057337	15	057962	4-11
D9130	14	056344	14	057344	15	057963	4
	<b>10000</b>	056345	14	057346	15	057965	11
U10063	14	056349	9	057350	15	057967	11
B11069	16	056350	9	057351	15	057969	11
B11162B	9-12	056405	15	057355	15	057971	11
M12306	11	056406	12	057361	15	057977	11
M12361	16	056407	12	057362	11	057980	11
R13055	2	056408	12	057370	4	057982	9
R13081E	20	056409	12	057371	4		<b>058000</b>
R13178	14	056410	15	057374	4	058031	13
C14061A	4	056411	15	057375	4	058156	13
C14084	9	056440	12	057376	4	058309	13
S16119	6	056441	11-18	057380	4	058325	4
S16215	12-14	056480	15	057388	4	058326	4
S16218	11	056486	20	057389	4	058328	4
	<b>040000</b>	056769	4	057391	4	058329	15
040057	6	056773	16	057422	16	058389	13
040860	4		<b>057000</b>	057457	11	058393	6
041499	14	057109	4	057459	11	058394	7
042166	14	057110	4	057465	9	058398	19
042667	9	057111	4	057479	9	058416	28
043192	14	057118	15	057484	9	058417	28
043616	19	057119	15	057485	9	058421	7
044116	4-16	057122	15	057486	9	058440	14
045327	23	057142	6	057487	9	058441	15
045882	23	057146	4	057490	9	058442	14
045883	23	057147	4	057491	9	058453	7
045998	6	057148	18	057497	9	058481	15
046000	6	057149	18	057499	9	058489	15
046001	6	057150	18	057504	9	058490	4
046754	6	057151	18	057507	9	058493	15
048060	6	057153	18	057508	9	058508	13
048459	14	057154	18	057512	9	058510	13
049061	7	057155	18	057513	9	058529	28
049261	4	057156	18	057515	11	058533	4
	<b>050000</b>	057157	18	057570	6	058534	4-13
050270	20	057158	18	057578	14	058535	4
052595	4	057159	18	057617	15	058536	4
053688	9	057160	15	057666	28	058537	13
053865	23	057163	15	057667	28	058538	4

RB1500A - NUMERICAL INDEX

Part No.	Page No.	Part No.	Page No.	Part No.	Page No.	Part No.	Page No.
058542	11	059614	4	059784	11	060759	7
058543	11	059618	4	059785	11	060760	7
058579	11	059619	4	059786	16	060979	7
058690	11	059620	4	059794	16	060996	9
058766	13	059622	4	059799	16	<b>061000</b>	
058796	9	059623	5	059800	13	061006	7
058841	19	059642	5	059802	13	061019	9-24
058870	15	059643	5	059817	11	061039	15
058872	15	059644	13	059825	28	061040	7
058874	4	059645	13	059826	19	061050	16
058875	4	059647	13	<b>060000</b>		061052	16
058884	11	059650	13	060060	15	061055	16
058908	4	059651	13	060061	15	061058	21
058920	9	059661	15	060062	15	061059	21
058963	11-18	059673	15	060064	15	061060	21
058964	18	059681	5	060066	15	061061	21
058965	18	059682	15	060068	15	061062	21
058966	18	059683	13	060069	15	061124	6
<b>059000</b>		059686	13	060137	28	061125	6
059052	21	059687	13	060138	28	061276	24
059053	21	059688	13	060139	28	061277	7
059055	22	059689	11	060140	28	061282	17
059059	22	059690	11	060141	28	061341	24
059064	22	059691	7	060142	28	061342	24
059215	4	059692	7	060143	28	061500	15
059272	7	059693	5	060144	28	061501	15
059299	22	059694	5	060145	28	061502	15
059320	22	059695	5	060146	28	061508	13
059321	22	059696	5	060147	28	061509	13
059390	18	059697	5	060148	28	061533	15
059421	20	059698	16	060149	28	061571	3
059426	20	059708	16	060150	28	061572	3
059427	20	059709	16	060151	28	061617	11
059526	15	059714	7	060295	7	061619	11
059537	13	059718	16	060302	16	061676	9
059539	20	059719	16	060340	20	061687	7
059553	7-17	059720	13	060344	20	061711	5
059554	17	059721	7-16	060345	19	061712	16
059556	17	059722	7	060375	21-22	061809	14
059561	17	059723	16	060376	22	061832	11
059562	17	059729	7	060387	5	<b>500000</b>	
059563	17	059731	7	060388	23	500057	14-15
059564	15-17	059734	7	060471	20	500111	4
059565	17	059735	7	060472	15	500160	15
059566	17	059736	7	060473	15	510023	23
059567	17	059747	11	060495	19	510100	23
059568	17	059748	9	060509	28	510215	23
059569	17	059750	9	060510	28	<b>520000</b>	
059572	17	059751	9	060511	28	520000	17
059573	17	059752	7	060512	7	520001	17
059574	17	059753	7	060514	28	520054	7
059575	17	059754	7	060515	17	520062	13
059576	7-23	059756	7	060596	20	520063	13
059577	23	059757	7	060597	20	520064	13
059578	23	059764	11	060598	20	520065	9-13
059579	23	059765	7	060599	20	520066	7
059580	23	059766	7	060600	20	520084	13
059581	23	059767	16	060616	17	520085	9-13
059593	9	059770	16	060621	19	520090	13
059596	9	059773	7	060626	20	520093	13-15
059598	9	059776	7	060627	20	520135	7
059602	9	059777	7	060629	20	520136	7
059606	9	059778	11	060636	9	520158	13-15
059607	9	059780	11	060637	16	520175	9
059608	9	059782	11	060758	5	520199	7

RB1500A - NUMERICAL INDEX

Part No.	Page No.	Part No.	Page No.	Part No.	Page No.
520200	7	650689	11	655020	7-11
520201	7	650692	4	655024	15-21
	<b>570000</b>	650694	4	655521	15
570002	15	650704	15	655533	13
570004	14-15	650710	4	655536	15-17
570005	14	650731	15	655637	13
570009	9	650784	20	655539	12-13
570010	14	650801	4-15		<b>660000</b>
570014	5-6-23	650802	4-7	660004	17
570016	17	650803	7-16	666002	7
	<b>620000</b>	650804	7-9-13-19		<b>901000</b>
620040	21	650805	13-14	901225	28
	<b>650000</b>		15-16-21	901226	28
650008	16	650806	4-7-21	901295	28
650040	11	650808	15	901296	28
650198	13	650809	13		
650204	9-15	650810	13		
650206	14	650811	9		
650213	4-19	650812	4-16		
650215	15	650813	4-16		
650260	21-22	650814	4		
650269	9	650816	9		
650314	15	650817	7		
650322	13	650818	20		
650388	11		<b>653000</b>		
650400	9	653005	4-5-7		
650448	7-20		16-21-22		
650449	16	653007	4-5-7		
650453	6-7-11-15		9-11-13-15		
650486	4-5-7		16-20-21		
	13-15-16-17	653010	4-5-6-7-9		
650487	9-16-20		11-13-14-15-20		
650488	4-5-13-16	653018	4-5-6-7-9		
650490	4-5-7-9		11-13-14-15-16		
	11-12-13-14	653020	4		
	15-21	653021	5-9-11		
650491	4-7-9	653026	6-7		
	13-15-20	653044	16		
650492	14-15	653072	9-16		
650493	13-14-15	653073	23		
650494	11	653074	9		
650495	7-13	653077	6-13		
650497	7-9		<b>654000</b>		
650500	7	654002	7-16-22		
650502	4-14-15	654004	7		
650503	14	654006	4-5-7-13		
650513	9		14-15-20-21		
650527	5-16	654009	4-7-9-11		
650528	13-16		14-15-16		
650531	7	654012	4-15		
650532	11	654014	6-7		
650533	4-6-14	654022	4-5-9		
650535	9		16-21-22		
650542	9	654024	4-5-7-9		
650545	7-13-16		11-13-15-16		
650548	4		17-20-21		
650549	4	654026	4-5-6-7-9		
650550	4		11-12-13-14		
650568	16-19		15-17		
650569	7	654030	4-6-7-9		
650579	13-14-15		11-14-15-16		
650627	4-16	654032	4-9-11		
650644	4-15	654034	7		
650647	9	654087	7		
650674	4		<b>655000</b>		





**GEHL**®

*is for farming*

**GEHL COMPANY WEST BEND, WISCONSIN 53095 U.S.A.**