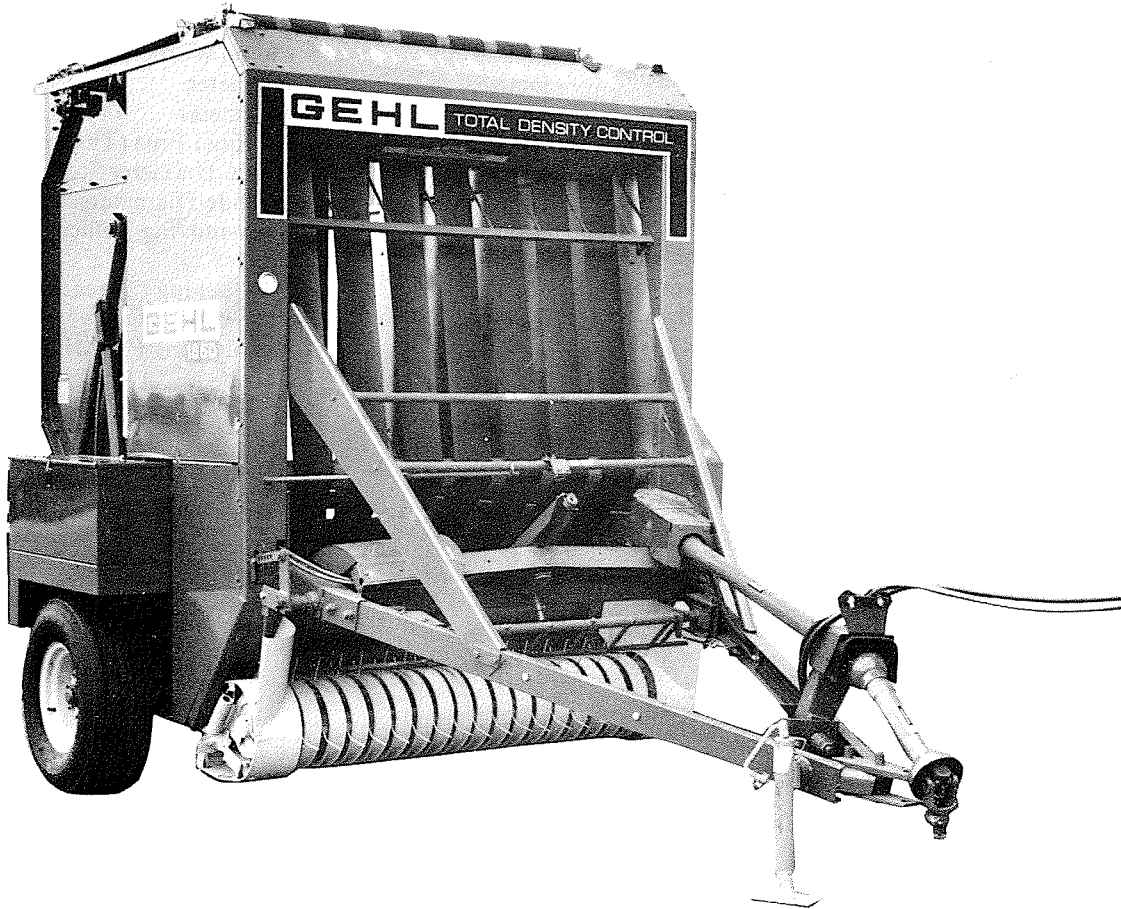


RB 1850

Baler



SERVICE PARTS MANUAL

Form No.
903291
Replaces
902576

GEHL[®] COMPANY

Mr. Dealer:

When ordering service parts, specify the correct part number, full description, quantity required, the unit model number and serial number.

Numbers for this unit are on a decal located under the Top Channel, near the Center Column of the Left Frame Assembly.

“Right” and “Left” are determined from a position standing at rear of the unit facing the direction of travel. From this position, the Universal Drive and Transmission are on the left side.

GEHL Company reserves the right to make changes or improvements in the design or construction of any part of the unit without incurring the obligation to install such changes on any unit previously delivered.

NOTE: On original Tire replacement, Company policy prohibits the sale of replacement tires for all original **GEHL** machinery. Replacement Wheel Sets are available and tire size information is called-out with the Wheel Sets to facilitate replacement tire selection. **ALL REPLACEMENT TIRES MUST BE PURCHASED LOCALLY.**

Common attaching hardware, such as nuts, cap screws, etc. is listed in the parts list but **NOT** illustrated, except where a particular routing or special fastening arrangement **MUST** be maintained. The hardware listed is for mounting purposes and is **NOT** included when the part is ordered for replacement. Refer to the abbreviations table for the various fastener descriptions. For the part number of common hardware, refer to the Attaching Hardware Table located on the Inside Back Cover. Standard hardware torque values are also provided on the same page.

Unless otherwise specified, all Cap Screws or Bolts are Grade 5, cadmium or zinc plated; Hexagon Nuts for Grade 5 Cap Screws or Bolts are Grade B; Hexagon Nuts for other Cap Screws or Bolts are Grade A.

The following abbreviations are used in this manual:

CB	- Carriage Bolt
CS (HHCS)	- Cap Screw (Hexagon Head)
FHMS	- Flat Head Machine Screw
RHMS	- Round Head Machine Screw
SHSS	- Socket Head Set Screw
SQHSS	- Square Head Set Screw
STS (HWHSTS)	- Self-threading Screw (Hexagon Washer Head)
THMS (STHMS)	- Truss Head Machine Screw (Slotted)
JN (HJN)	- Jam Nut (Hexagon)
LN (HLN)	- Lock Nut (Hexagon)
N (HN)	- Nut (Hexagon)
NILN	- Nylon-insert Lock Nut
SN	- Slotted Nut
L (LW)	- Lock (Washer)
P (PW)	- Plain (Washer)
Dia.	- Diameter
mm	- millimeter
NF	- National Fine (Thread)
I.D.	- Inside Diameter
O.D.	- Outside Diameter
SMV	- Slow-moving Vehicle
Sq.	- Square
SL	- Self-locking (Thread)
PTO	- Power Take Off
RPM	- Revolutions Per Minute
T	- Tooth

TABLE OF CONTENTS


	Page
Introduction	Inside Front Cover
Table of Contents	1
Decal Locations	2-3
Main Frame	4-5
Drawbar & Axle	6-7
Implement Drive Line, Shields & Covers	8-9
Pickup	10-11
Twinebox & Cutoff	12-13
Pickup, Lift & Overfill Clutch	14
Bale Starter	15
Shuttle & Bale Size Indicator	16
Sprocket & Roller Part Number Guide	17
Roller Drive	18-19
Lower Rollers	20-21
Upper Rollers	22-23
Total Density Control (TDC)	24-25
Rear Gate	26-27
Rear Gate Hydraulics	28
Transmission	29
Universal Drives	30-31
Hitchjack	32
Options & Accessories	33-39
Electric Twine Wrapping Kit 801143	33
Control Box Breakdown	33
Crowder Wheel Kit 802232	34-35
Light Crop Hold-down Kit 066779	35
1000 RPM Conversion Kit 801552	36
6" Upper Belt Dutchman Kit 072042	36
Platform Belt Dutchman Kit 061253	36
Bale Counter Kit 801782	37
Hydraulic Twine Wrapping Kit 801088	37
Slow-down Sprocket Kit 066780	37
Dual Hydraulics Kit 801087	37
72" Platform Belt Lacing Pin Kit 901751	37
Re-lacing Kit 801086	38
Scraper Kit 075266	38
Lacing Kit 073390	38
Packing Roller Lagging Kit 068633	38
Audible Bale Size Indicator Kit 802432	39
Rock Guard Kit 075833	39
Numerical Index	40-43
Standard Hardware Torque Specification	Inside Back Cover
Attaching Hardware Table	Inside Back Cover

DECAL LOCATIONS

Decal Locations are shown to assist in application of new decals in the event of damage to the Decal or refinishing of the machine. Check listing for information and the illustrations for their location.

Surfaces **MUST** be free from dirt, dust, grease and other foreign material before applying the new Decal. To apply, remove the smaller portion of the decal backing paper and apply this part of the exposed adhesive backing to the clean surface while maintaining proper position and alignment. Peel the other portion of the backing paper off slowly while applying hand pressure to smooth out Decal surface.

NOTE: Discard Decals NOT required for this machine. Always order Decals by set number. DO NOT order Decals separately.

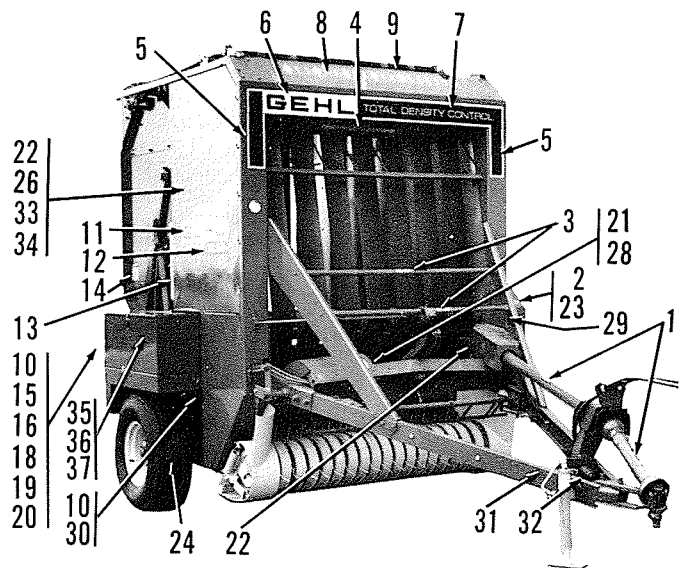
 **WARNING:** Always Observe Safety Rules Shown on Decals. If Decals become damaged, or if unit is repainted, replace Decals.

NOTICE

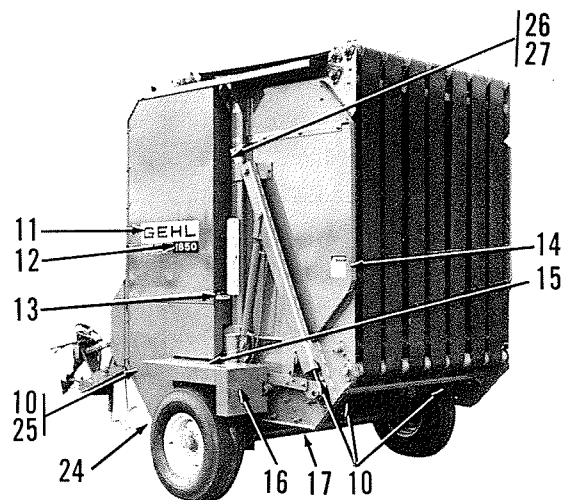
Order paint for refinishing machines from this list:

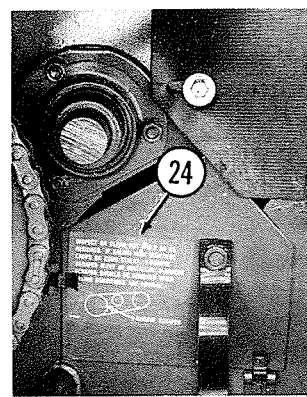
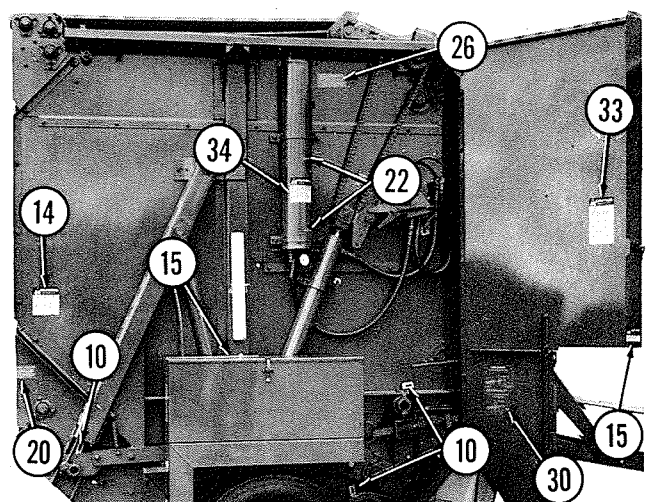
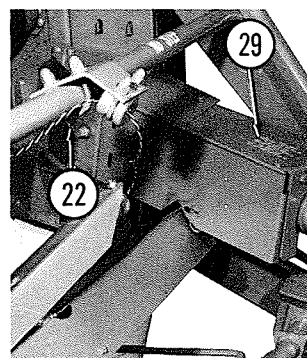
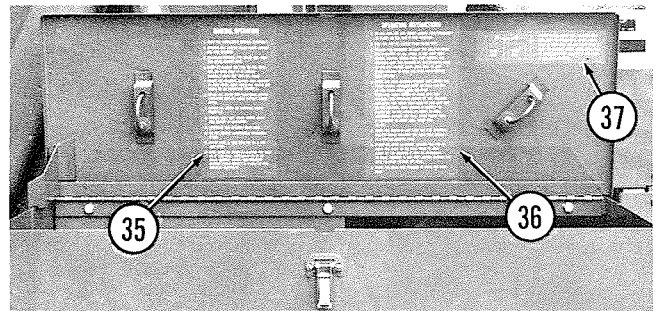
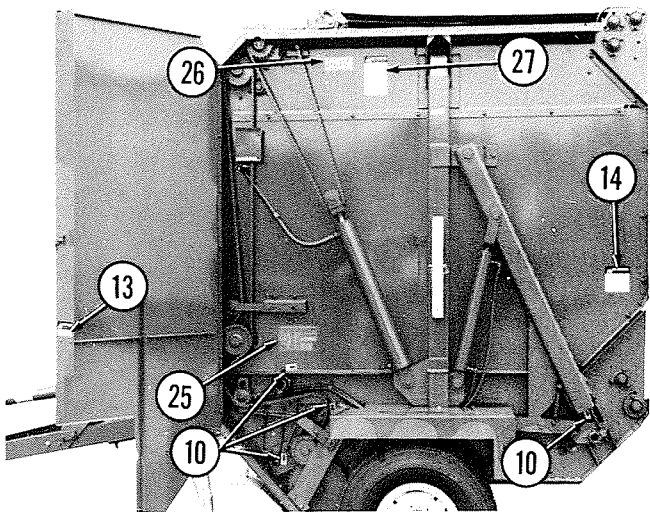
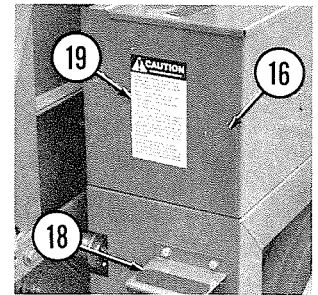
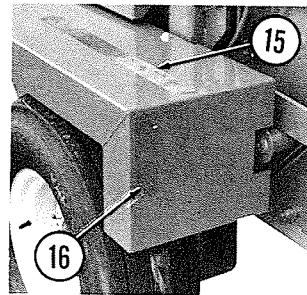
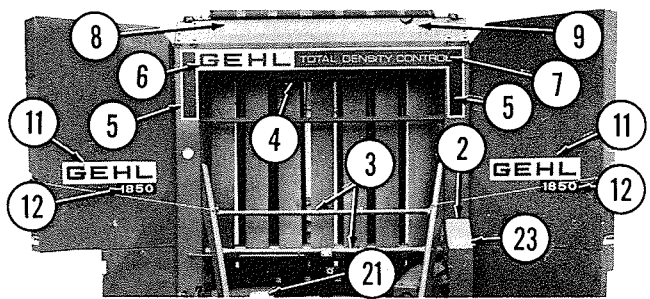
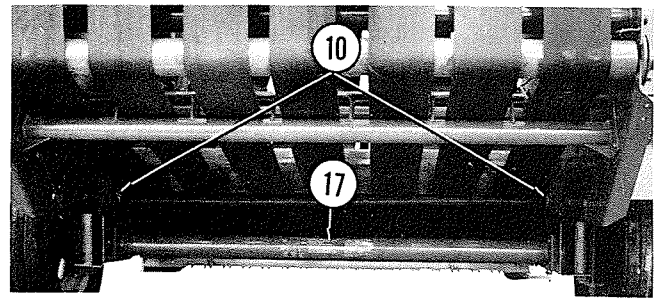
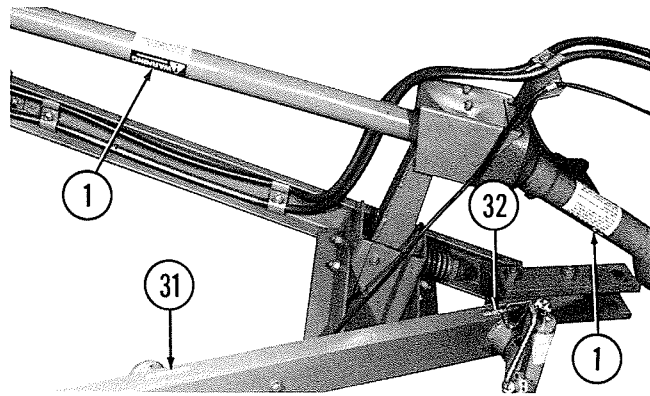
901225	One Gallon Blaze Paint
901226	One Gallon Maize Paint
610239	6 (12 oz.) Cans Blaze Spray Paint
610240	6 (12 oz.) Cans Maize Spray Paint

- 23 - 071711 CAUTION - Transmission 540 or 1000 RPM Operation
- 24 - 072850 Decal - V-Groove Scraper Installation (2 Places)
- 25 - 067135 Decal - Chain Idler Adjustment
- 26 - 060151 Decal - Belt Tension (2 Places)
- 27 - 072556 WARNING - Upper Belt Replacement
- 28 - 071715 WARNING - Disconnect PTO
- 29 - 067132 Decal - Shear Bolts
- 30 - 065983 Decal - Pickup Adjustment
- 31 - 060510 Decal - Hitchjack Storage Position
- 32 - 060511 Decal - Hitchjack Lifting Position
- 33 - 071712 CAUTION - General Safety
- 34 - 071716 WARNING - Reservoir Contamination
- 35 - 060148 Decal - General Operating Instruction
- 36 - 060147 Decal - Operating Instructions
- 37 - 073845 Decal - Spare Twine



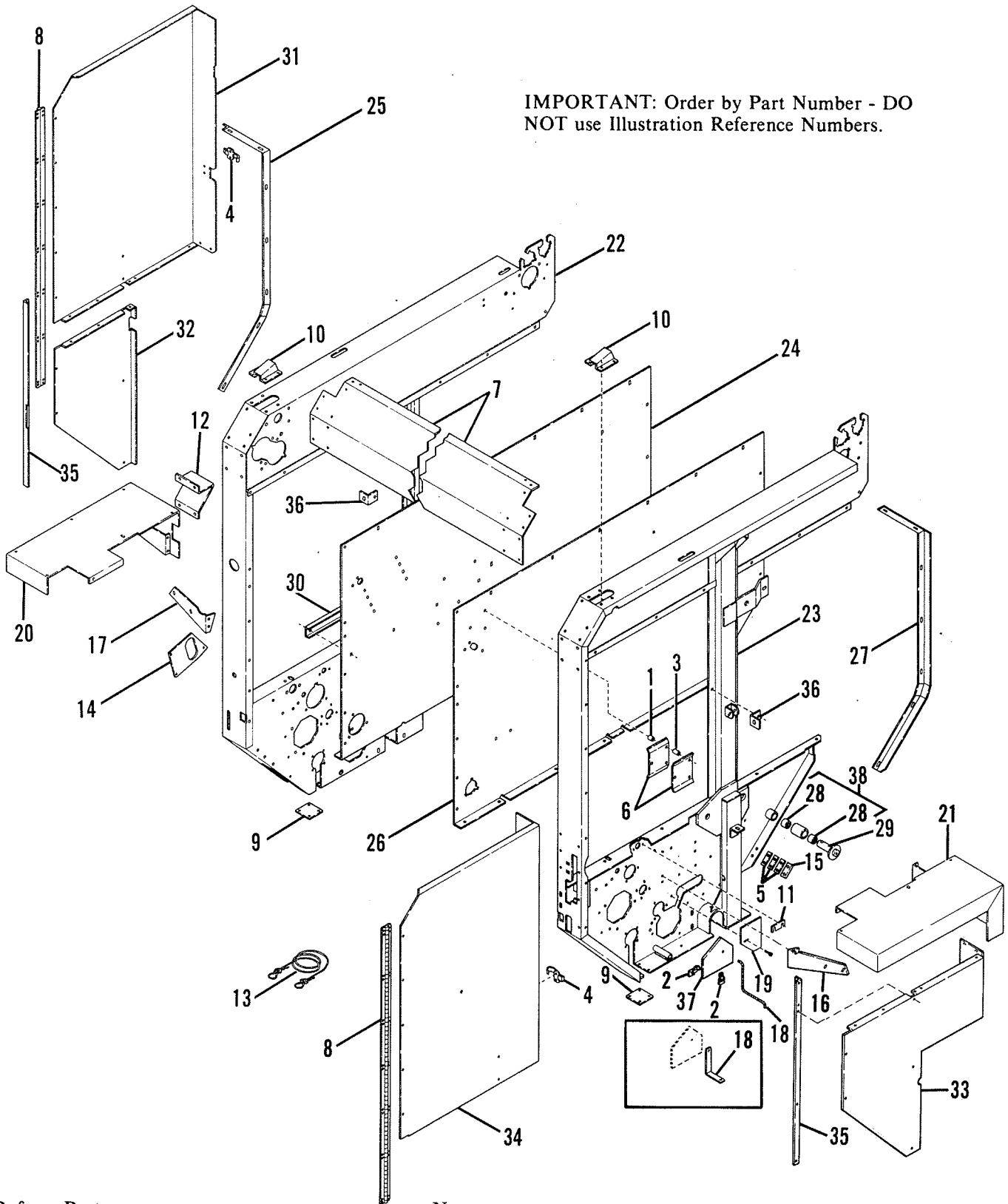
- 1 - 071718 WARNING - Rotating Guard (2 Places)
- 2 - 065982 Decal - Check Roller Chain Idlers
- 3 - 060150 Decal - NO Step (2 Places)
- 4 - 071935 WARNING - Moving Belts
- 5 - 073394 Decal - Decorative Vertical Strip (2 Places)
- 6 - 073395 GEHL 5 x 28 1/4
- 7 - 073397 Decal - Total Density Control
- 8 - 069344 Decal - 6-5-4 of Bale Size Indicator
- 9 - 069343 Decal - 3-2-1-0 of Bale Size Indicator
- 10 - 061187 Decal - Grease Fitting Symbol (9 Places)
- 11 - 061203 GEHL 24 1/2 x 5 (2 Places)
- 12 - 070632 1850 (2 Places)
- 13 - 071714 CAUTION - Keep Door Closed & NEVER Ride Machine (2 Places)
- 14 - 071719 WARNING - Stay Clear of Gate (2 Places)
- 15 - 055100 Non-skid Surface Strip (2 Places)
- 16 - 067493 Red Reflector Strip (2 Places)
- 17 - 073510 Decal - Platform Belt Adjustment
- 18 - 060514 Non-skid Step Friction Material
- 19 - 071713 CAUTION - Read Operator's Manual
- 20 - 061832 Decal - Belt Tracking
- 21 - 071720 DANGER - NEVER Attempt to Hand-feed Material
- 22 - 060138 Decal - Oil Level Mark (3 Places)





RB1850 - MAIN FRAME

IMPORTANT: Order by Part Number - DO NOT use Illustration Reference Numbers.



Ref. No.	Part No.	Part Name	No. Req.	Ref. No.	Part No.	Part Name	No. Req.
1	H6053B	Spacer	3	3	043192	Spacer	3
2	040860	Clip	4	4	044116	Latch	2
	650548	RHMS #1224 x 1/2.....	5		650812	RHMS #1224 x 1/2.....	4
		(5) #1224HN - (5) #12LW				(4) #1224HN - (4) #12LW	

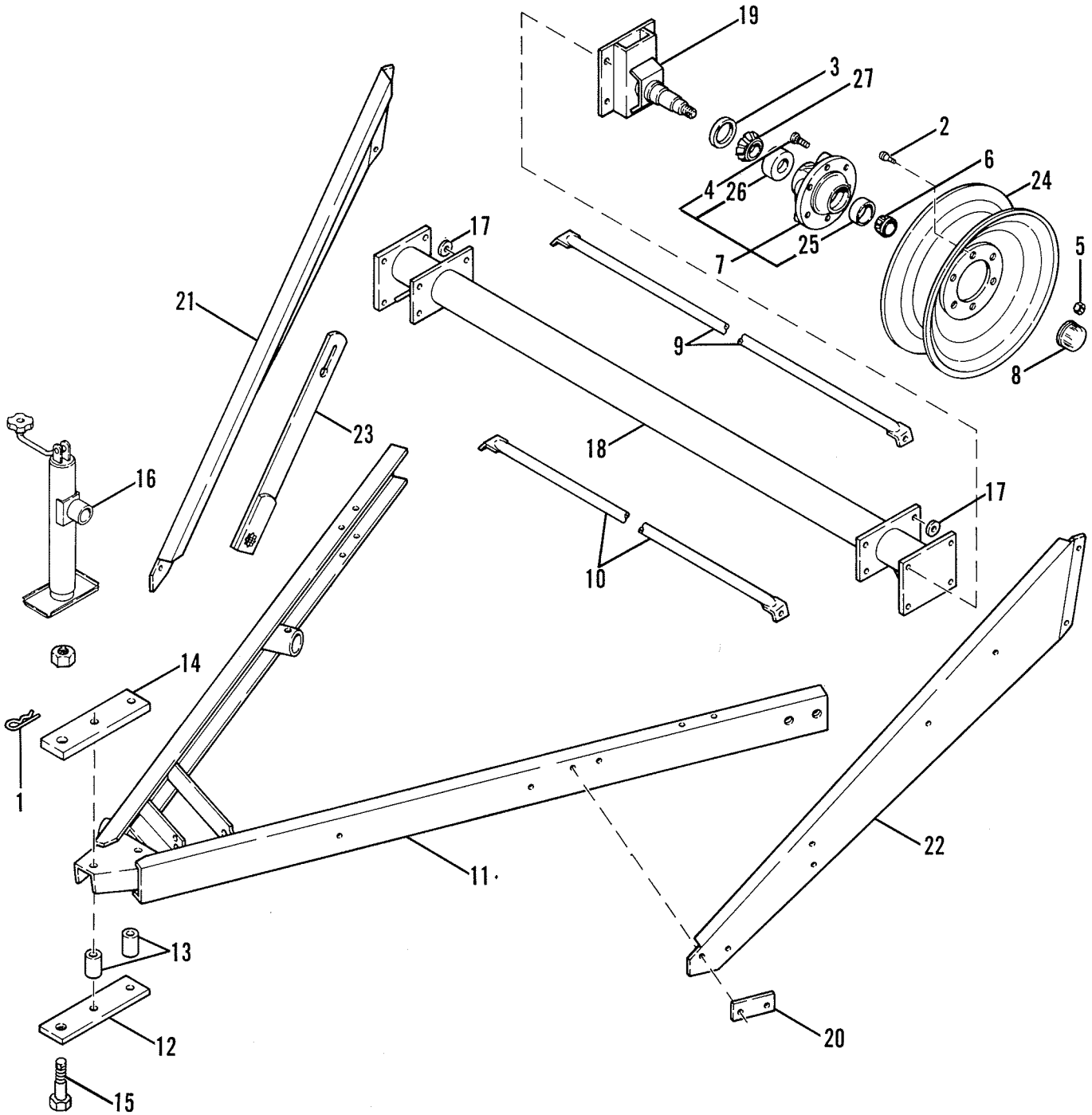
RB1850 - MAIN FRAME

Ref. No.	Part No.	Part Name	No. Req.	Ref. No.	Part No.	Part Name	No. Req.
5	052588	Shim	6	22	070652	Right Frame	1
6	057122	Chain Guide	2		650573	CB 5/16 x 1	2
	650818	HHCS 3/8 x 3	3		(2) 5/16 HN - (2) LW - (2) PW		
	(3) 3/8	HN - (3) LW			650786	CB 3/8 x 1-1/4	5
7	057146	Panel	1		(5) 3/8	HN - (5) LW	
	650490	HHCS 3/8 x 1	16	23	070673	Left Frame	1
	(16) 3/8	HN - (16) LW			650573	CB 5/16 x 1	1
8	057388	Hinge	2		(1) 5/16	HN - (1) LW - (1) PW	
	650486	HHCS 5/16 x 3/4	14		650786	CB 3/8 x 1-1/4	5
	(14) 5/16	HN - (14) LW - (14) PW			(5) 3/8	HN - (5) LW	
9	057945	Reinforcement	2	24	070692	Right Center Sheet	1
	650490	HHCS 3/8 x 1	8		650490	HHCS 3/8 x 1	9
	(8) 3/8	HN - (8) LW			650704	CB 3/8 x 1	8
10	058326	Chain Guard	2		(17) 3/8	HN - (17) LW - (1) PW	
	650490	HHCS 3/8 x 1	7	25	070694	Right Gate Guide Angle	1
	650491	HHCS 3/8 x 1-1/4	1		650704	CB 3/8 x 1	6
	(8) 3/8	HN - (8) LW - (4) PW			(6) 3/8	HN - (6) LW - (6) PW	
11	059692	Shim	2	26	070695	Left Center Sheet	1
12	073221	Right Fender Step	1		650490	HHCS 3/8 x 1	8
		(Used after Serial #11109)			650704	CB 3/8 x 1	8
	059694	Right Fender Step	1		(2) 3/8	NILN - (14) HN - (14) LW	
		(Used before Serial #11110)		27	070697	Left Gate Guide Angle	1
	650490	CS 3/8 x 1 (N,L,P)	4		650704	CB 3/8 x 1	6
14	066203	Cover	2		(6) 3/8	HN - (6) LW - (6) PW	
	650790	CB 3/8 x 3/4	6	28	520139	Needle Bearing	4
	(6) 3/8	HN - (6) LW		29	070754	Pin	2
15	066375	Gate Stop	2		570005	Grease Fitting	2
	650185	FHMS 5/16 x 1	4		650535	HHCS 3/8 x 2-1/4	2
	(4) 5/16	HN - (4) LW			(2) 3/8	HLN	
16	066456	Left Fender Front Brace	1	30	070790	Stiffener Brace	1
	650704	CB 3/8 x 1	2		650786	CB 3/8 x 1-1/4	4
	650491	HHCS 3/8 x 1-1/4	2		(4) 3/8	HN - (4) LW	
	(4) 3/8	HN - (4) LW - (4) PW		31	070847	Right Guard Door	1
17	066462	Right Fender Front Brace	1		650448	HHCS 1/4 x 3/4	2
	650704	CB 3/8 x 1	2		(2) 1/4	HN - (2) LW	
	650491	HHCS 3/8 x 1-1/4	2		650486	HHCS 5/16 x 3/4	5
	(4) 3/8	HN - (4) LW - (4) PW			(5) 5/16	HN - (5) LW	
18	073847	Holding Cord 3/16 x 12	2	32	070848	Right Lower Guard	1
		(Used after Serial #11509)			650448	HHCS 1/4 x 3/4	3
	069795A	Rubber Strap	2		(3) 1/4	HN - (3) LW	
		(Used before Serial #11510)			650486	HHCS 5/16 x 3/4	5
	(5) 5/16	HN - (5) LW		33	070850	Left Lower Guard Door	1
19	069796	Cover	2		650943	STHMS 1/4 x 1/2	2
	650618	HWHSTS 5/16 x 5/8	2		650448	HHCS 1/4 x 3/4	3
	(2) 5/16	PW			(5) 1/4	HN - (5) LW - (2) PW	
20	073218	Right Fender	1		650486	HHCS 5/16 x 3/4	7
		(Used after Serial #11109)			(7) 5/16	HN - (7) LW	
	069826	Right Fender	1	34	070852	Left Guard Door	1
		(Used before Serial #11110)			650448	HHCS 1/4 x 3/4	2
	650790	CB 3/8 x 3/4 (N,L)	3		(2) 1/4	HN - (2) LW	
	650491	CS 3/8 x 1-1/4 (N,L,2P)	1		650486	HHCS 5/16 x 3/4	5
21	073222	Left Fender	1		(5) 5/16	HN - (5) LW	
		(Used after Serial #11109)		35	070853	Door Brace	2
	069830	Left Fender	1		070854	Door Latch Bracket	2
		(Used before Serial #11110)			650704	CB 3/8 x 1	2
	650790	CB 3/8 x 3/4 (N,L)	3		(2) 3/8	HN - (2) LW	
	650491	CS 3/8 x 1-1/4 (N,L,2P)	1	37	071731	Cover	2
				38	073172	Gate Latch Assembly Sleeve	2

A For replacement, order Cord 073847.

RB1850 - DRAWBAR & AXLE

IMPORTANT: Order by Part Number - DO NOT use Illustration Reference Numbers.



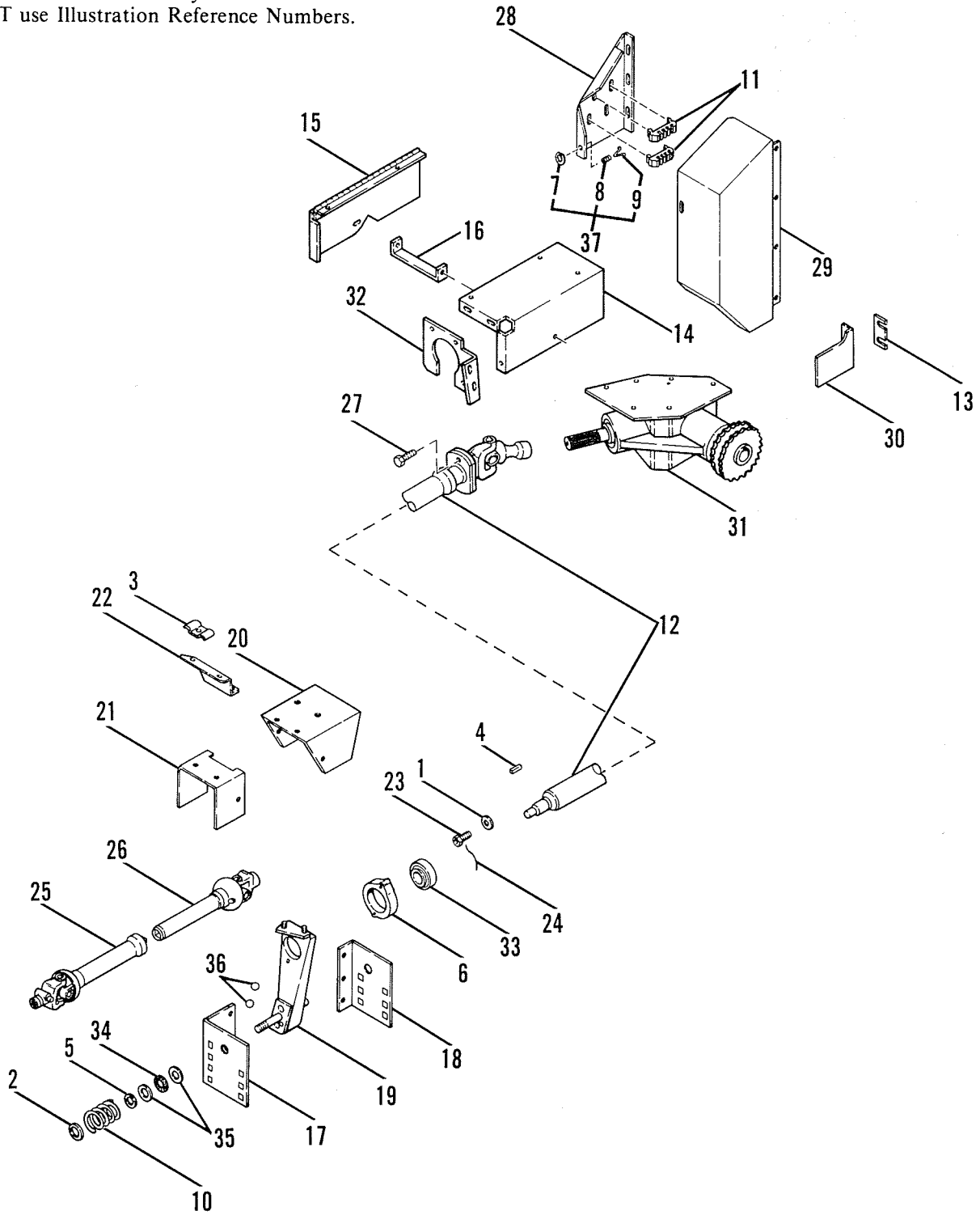
RB1850 - DRAWBAR & AXLE

Ref. No.	Part No.	Part Name	No. Req.	Ref. No.	Part No.	Part Name	No. Req.
1	9H300	Lock Pin	1	19	071759	Adjustable Axle	2
2	045582	Tire Valve	2			(Used after Serial #10609)	
3	045998	Grease Seal	2		066651	Adjustable Axle	2
4	046000	Wheel Bolt	12			(Used before Serial #10610)	
5	046001	Wheel Nut	12		655020	Cotter Pin 3/16 x 1-1/2	2
6	520201	Bearing Cone	2		650569	HHCS 1/2 x 1-3/4	8
7	057911	Wheel Hub - Assembled	2			(8) 1/2 NILN - (8) LW	
		(Includes One 520054 Cup, One 520199 Cup & Six 046000 Wheel Bolts)				(2) 3/4 SN - (2) PW	
8	058421	Grease Cap	2	20	072032	Drawbar Brace Reinforcement Pad	2
9	059776	Upper Cross Bar	1		650490	HHCS 3/8 x 1	4
10	059777	Lower Cross Bar	1			(2) 3/8 NILN - (2) HN - (2) LW - (2) PW	
11	070875	Drawbar	1	21	072033	Right Brace	1
	650649	HHCS 3/4 x 2	4		650453	HHCS 1/2 x 1-1/2	2
		(4) 3/4 HN - (4) LW				(2) NILN	
12	070877	Lower Drawbar Clip	1	22	072035	Left Brace	1
13	070878	Drawbar Spacer	2		650490	HHCS 3/8 x 1	4
14	070879	Upper Drawbar Clip	2			(2) 3/8 NILN - (2) HN - (2) LW - (2) PW	
	650867	HHCS 5/8 x 5	2		650453	HHCS 1/2 x 1-1/2	2
		(4) 5/8 HLN				(2) NILN	
15	070880	Hitch Pin	1	23	072478	Reversing Handle	1
		(1) 1" HN - (1) PW		24	072624	Wheel 14 x 8KB for 11L x 14 6-Ply Tire	2
16	071117A	Hitch Jack - Assembled	1			(Used after Serial #11109)	
17	071520	Washer	8		048060	Wheel 15 x 8KB for 11L x 15 Tire	2
18	071756	Axle	1			(Used before Serial #11110)	
		(Used after Serial #10609)		25	520054	Bearing Cup	2
	070589	Axle	1	26	520199	Bearing Cup	2
		(Used before Serial #10610)		27	520200	Bearing Cone	2

A For service, see page titled Hitchjack.

RB1850 - IMPLEMENT DRIVE LINE, SHIELDS & COVERS

IMPORTANT: Order by Part Number - DO NOT use Illustration Reference Numbers.



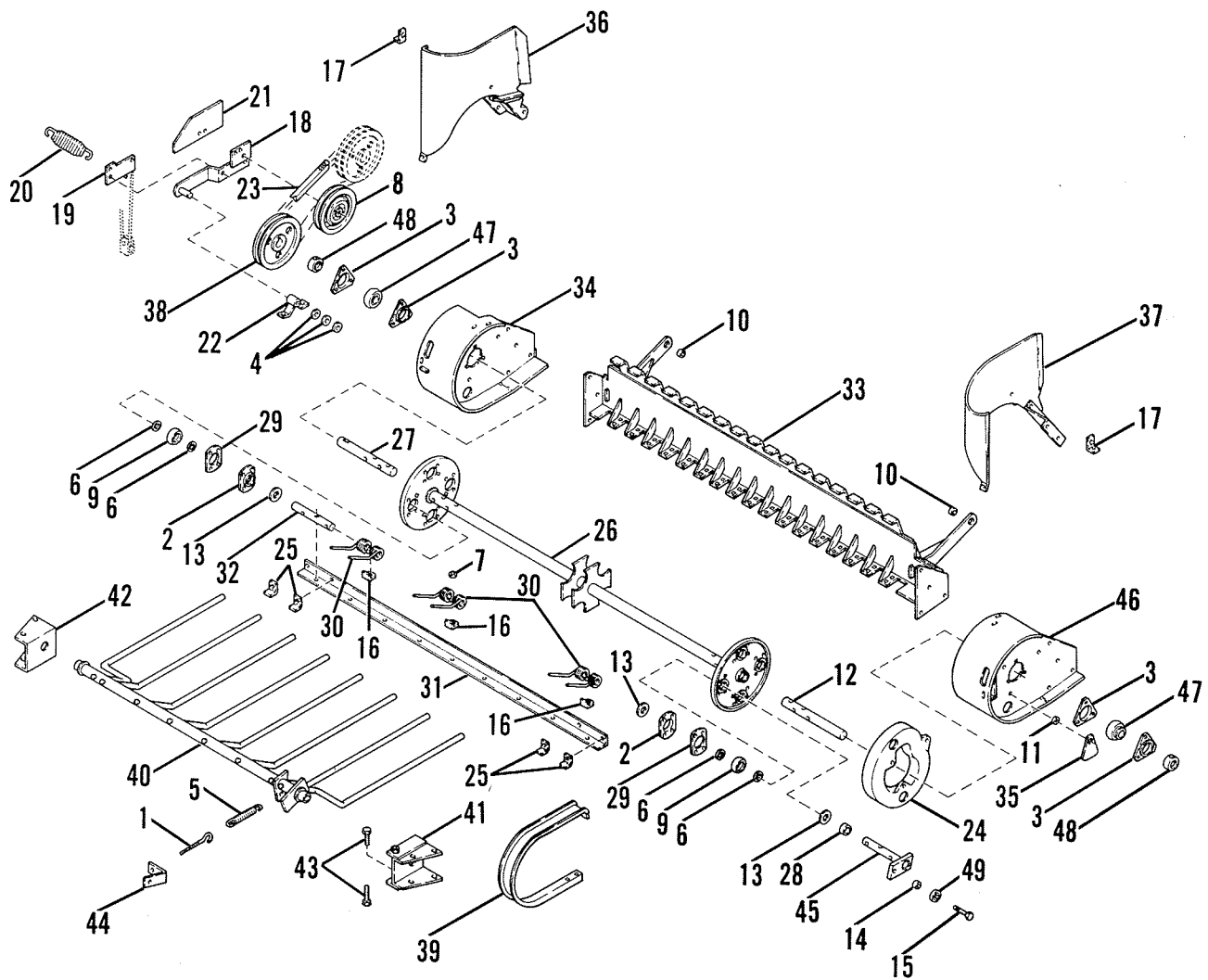
RB1850 - IMPLEMENT DRIVE LINE, SHIELDS & COVERS

Ref. No.	Part No.	Part Name	No. Req.	Ref. No.	Part No.	Part Name	No. Req.	
1	071520	Joint Retainer	1	25	061124A	Universal Joint w/Spline Shaft - Assembled (540 RPM)		
2	D932A	Washer.....	1		067173A	Universal Joint w/Spline Shaft - Assembled (1000 RPM)		
3	H6094	Hose Clamp	2	26	061125A-B	Universal Joint w/Spline Tube - Assembled	1	
	650453	HHCS 1/2 x 1-1/2	2		27	061700c	Shear Bolt 5/16 x 1-3/4 Grade 2... (540 RPM)	1
	(2) 1/2	NILN			066285D	Shear Bolt 5/16 x 1-1/2 Grade 2... (1000 RPM)	1	
4	H6172	Tubular Drive Key	1		(1) 5/16	HLN		
5	H8054	Transmission Bearing Shim	1	28	065674	Side Transmission Guard	1	
6	046754	Bearing Housing	1		650486	HHCS 5/16 x 3/4	3	
	650533	HHCS 3/8 x 1-1/2	2		(3) 5/16	HN - (3) LW - (3) PW		
	(2) 3/8	HN - (2) LW		29	065721	Transmission Guard	1	
7	055690	Latch Handle	2		650448	HHCS 1/4 x 3/4	4	
8	055691	Latch Spring.....	2		(4) 1/4	HN - (4) LW		
9	055692	Latch Clip.....	2	30	066396	Support	1	
10	056211	Compression Spring	1		650453	HHCS 1/2 x 1-1/2	2	
11	059272	Shear Bolt Holder	2		(2) 1/2	HN - (2) LW - (2) PW		
12	059576A-B	Tubular Drive - Assembled	1	31	074694E	Transmission w/21/21T Sprocket - Assembled	1	
13	059692	Shim.....	6		070714E	Transmission w/24/24T Sprocket - Assembled	1	
14	059729	Flange Shield	1		570016	Relief Fitting	1	
	650486	HHCS 5/16 x 3/4	1		650495	CS 1/2 x 1-1/4 (L)	4	
	(1) 5/16	LW		32	070720	Guard Mount	1	
15	059731	Flange Cover	1		650486	HHCS 5/16 x 3/4	5	
	650486	HHCS 5/16 x 3/4	2		(5) 5/16	HN - (5) LW - (5) PW		
	(2) 5/16	HN - (2) LW		33	520066	Ball Bearing	1	
16	059734	Catch Bracket.....	1	34	520135	Thrust Bearing	1	
	650486	HHCS 5/16 x 3/4	1	35	520136	Thrust Washer	2	
	(1) 5/16	HN - (1) LW		36	666002	Steel Ball - 3/4" Dia.....	2	
17	059754	PTO Mount	1	37	049038	Latch Assembly	2	
18	059756	Rear PTO Adjustment Plate	1					
	650491	HHCS 3/8 x 1-1/4	3					
	(1) 3/8	HJN - (3) HN - (3) LW						
19	059757	PTO Pedestal	1					
20	059765	PTO Guard.....	1					
21	059766	PTO Shield	1					
	650448	HHCS 1/4 x 3/4	2					
	(2) 1/4	HN - (2) PW						
22	060295	Hose Mount	1					
	650486	HHCS 5/16 x 3/4	2					
	(2) 5/16	HN - (2) PW						
23	060979	HHCS 1/2 NF x 1-1/4	1					
24	061006	Joint Screw Lock Wire	1					

- A For service, see pages titled Universal Drives.
- B Same Universal used for both 540 & 1000 RPM.
- C For replacement Shear Bolts, order Kit 900015, containing 8 Bolts & HLN.
- D For replacement Shear Bolts, order Kit 902261, containing 8 Bolts & HLN.
- E For service, see page titled Transmission.

RB1850 - PICKUP

IMPORTANT: Order by Part Number - DO NOT use Illustration Reference Numbers.

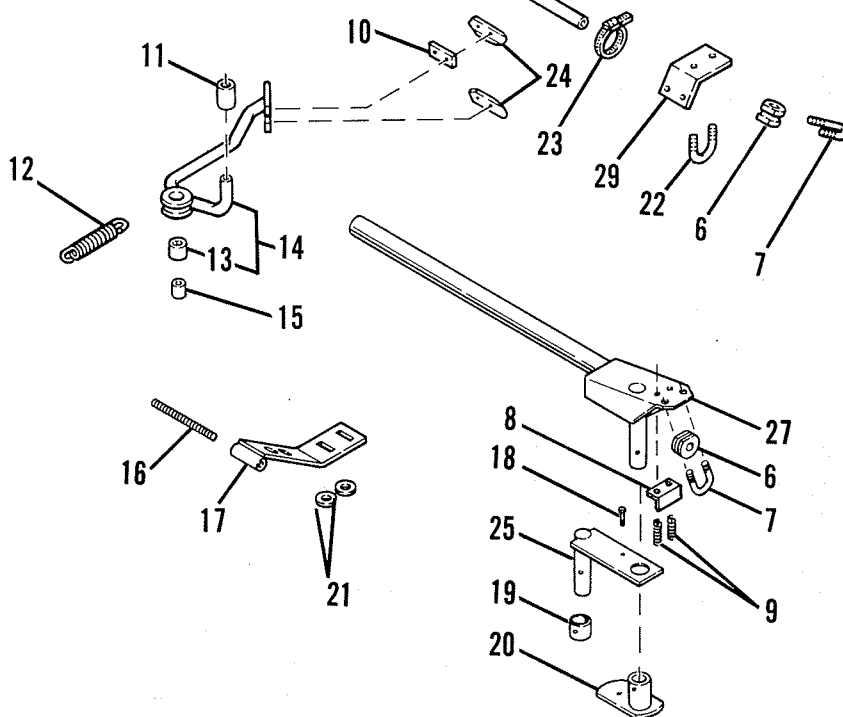
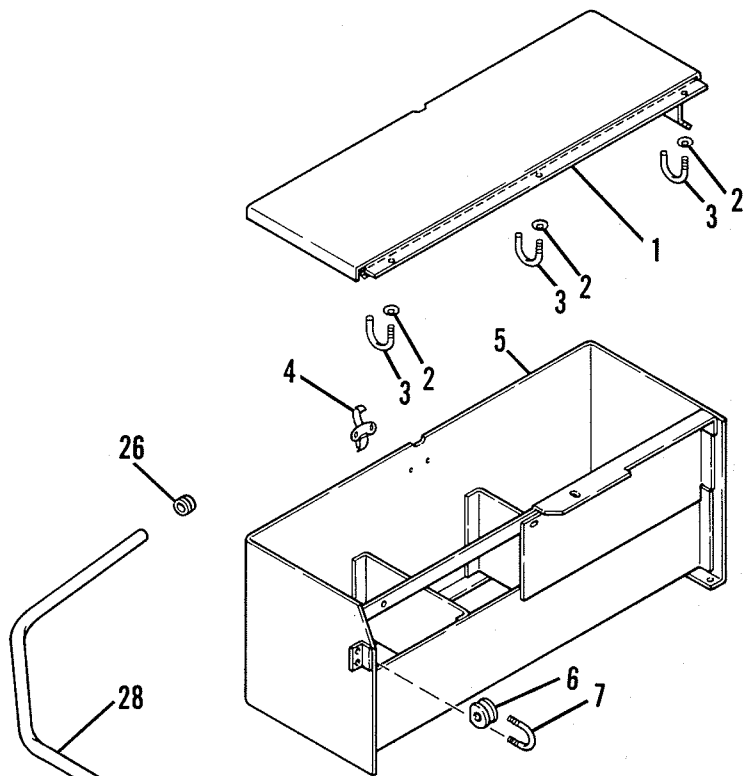
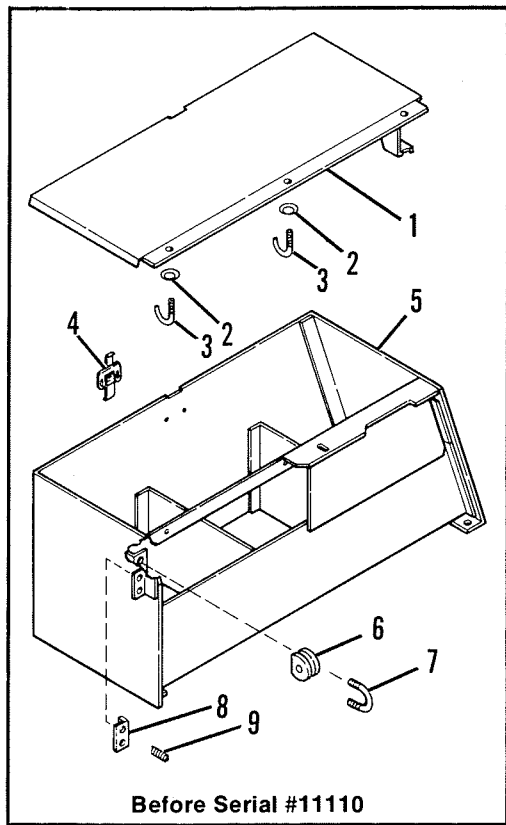


RB1850 - PICKUP

Ref. No.	Part No.	Part Name	No. Req.	Ref. No.	Part No.	Part Name	No. Req.
1	17H281	Eyebolt	1	30	071607	Pickup Tine	36
2	H7125	Cam Bearing Retainer.....	8		650568	HHCS 5/16 x 2	36
	650488	HHCS 3/8 x 3/4	28		(36) 5/16	NILN	
	650965	HHCS 3/8 x 1-1/4	4	31	071608	Tine Support	4
	(32) 3/8	HN - (32) LW		32	071609	Right Tine Angle Shaft.....	4
3	H8334	Bearing Retainer	4		650528	HHCS 3/8 x 2	8
	650704	CB 3/8 x 1	6		(8) 3/8	HLN	
	(6) 3/8	HN - (6) LW		33	071610	Hanger Stripper	1
4	H8354	Retainer Washer	3		650490	HHCS 3/8 x 1	7
5	U10014B	Pawl Spring	1		650954	STHMS 3/8 x 1	1
6	041881	Oil Seal	16		(8) 3/8	HN - (8) LW	
7	042135	Washer.....	28	34	071620	Right Header	1
8	053688	Belt Idler	1	35	071626	Cover	1
	650647	HHCS 5/16 x 2	1		650453	HHCS 1/2 x 1-1/2	1
	(1) 5/16	HN - (1) LW - (1) PW			(1) 1/2	NILN - (1) PW	
9	056249	Sintered Bearing	8	36	071627	Right Crowder	1
10	057512	Pivot Bushing.....	2		650687	CB 5/16 x 3/4	1
11	058807	Washer.....	1		650949	STHMS 5/16 x 3/4.....	1
12	066480	Left Pickup Shaft	1		(2) 5/16	HN - (2) LW - (1) PW	
	650528	HHCS 3/8 x 2	4		650488	HHCS 3/8 x 3/4	1
	(4) 3/8	HN			(1) 3/8	HN - (1) LW	
13	066487	Washer.....	12	37	071631	Left Crowder	1
14	066489	Cam Roller Spacer	4		650687	CB 5/16 x 3/4	1
15	066490	HHCS w/Nylon Patch	4		650949	STHMS 5/16 x 3/4.....	1
16	066492	Tine Clip.....	36		(2) 5/16	HN - (2) LW - (1) PW	
17	066511	Angle	2		650488	HHCS 3/8 x 3/4	1
	650949	STHMS 5/16 x 3/4.....	4		(1) 3/8	HN - (1) LW	
	(4) 5/16	HN - (4) LW - (4) PW		38	071635	Sheave - 8-1/4" Dia.	1
18	066526	Idler Arm	1		650213	SHSS 3/8 x 3/8	2
	655020	Cotter Pin 3/16 x 1-1/2	1	39	071637A	Tine Guide	17
19	066528	Tension Plate	1		650790	CB 3/8 x 3/4	51
	650490	HHCS 3/8 x 1	1		(17) 3/8	HLN - (34) HN - (34) LW - (17) PW	
	650579	HHCS 3/8 x 1-3/4	1	40	071638	Hold Down.....	1
	(2) 3/8	HLN - (2) HN - (2) LW - (2) PW		41	071643	Left Mounting Bracket	1
20	066531	Extension Spring	1		650487	HHCS 5/16 x 1	2
21	066532	Idler Shield	1		650545	HHCS 5/16 x 1-1/4	2
	650542	HHCS 1/4 x 1/2	2		(4) 5/16	HN - (4) LW - (4) PW	
	(2) 1/4	LW			071646	HHCS 1/2 x 2	2
22	066533	Idler Pivot.....	1		(2) 1/2	HN	
	570009	Grease Fitting.....	1	42	071645	Right Mounting Bracket.....	1
23	067516	V-Belt.....	1		650487	HHCS 5/16 x 1	2
24	069531	Pickup Cam	1		650545	HHCS 5/16 x 1-1/4	2
	650495	HHCS 1/2 x 1-1/4	2		(4) 5/16	HN - (4) LW - (4) PW	
	(2) 1/2	NILN		43	071646	HHCS 1/2 x 2 (Fully Threaded)..	2
25	071048	Tinebar Spacer.....	16	44	071647	Angle	1
26	071596	Pickup Carrier	1		650490	HHCS 3/8 x 1	1
27	071601	Right Pickup Shaft	1		(3) 3/8	HN - (1) LW	
	650528	HHCS 3/8 x 2	4	45	072554	Cam Arm	4
	(4) 3/8	HN		46	072557	Left Header.....	1
28	071605	Spacer	4	47	520065	Ball Bearing	2
29	071606	Retainer Shim	8	48	520085	Bearing Collar	2
				49	520175	Ball Bearing	4

A For Outside Tine Guide replacement only, order either 075650 Right Outside Tine Guide or 075651 Left Outside Tine Guide.

RB1850 - TWINEBOX & CUTOFF



RB1850 - TWINEBOX & CUTOFF

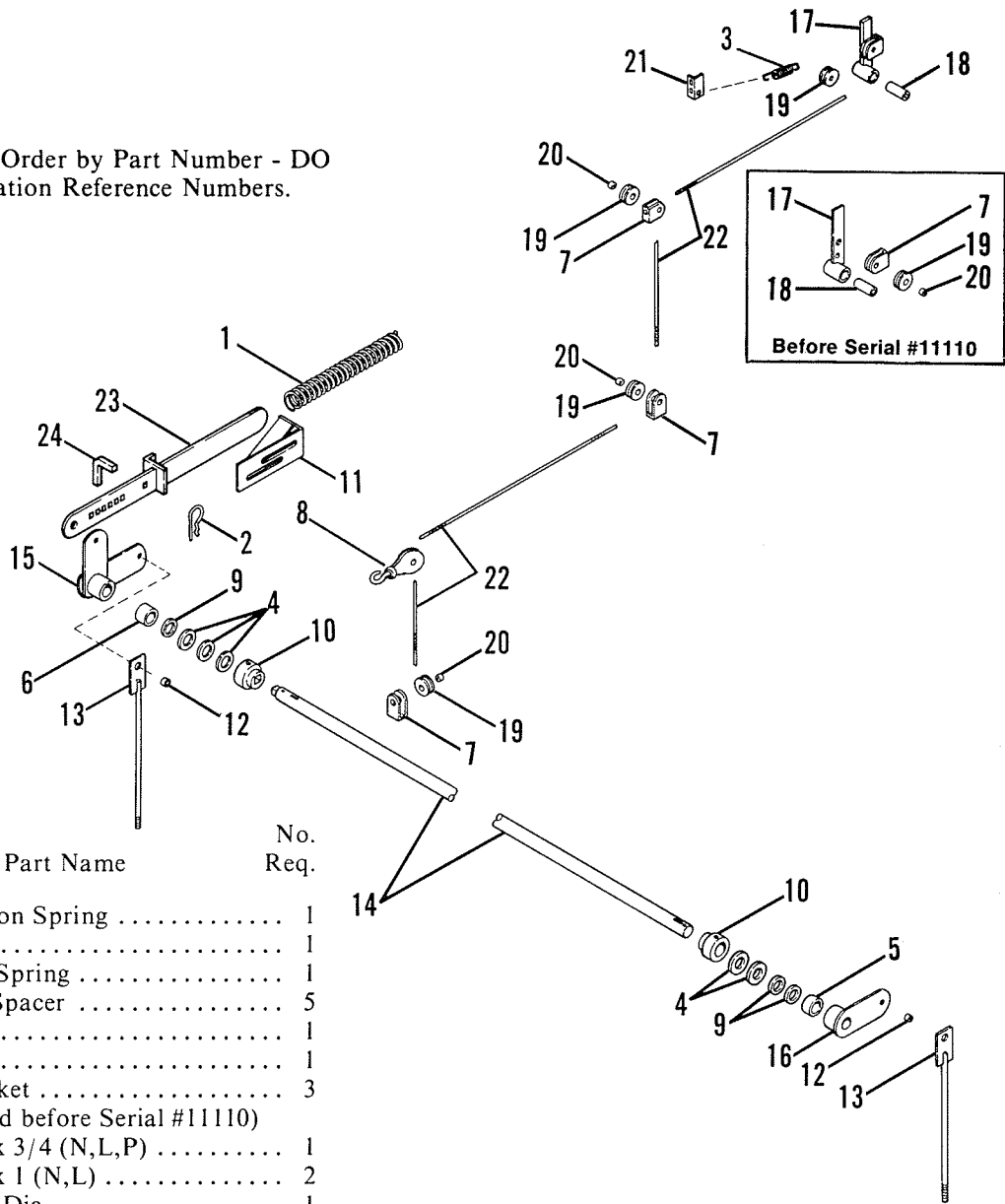
Ref. No.	Part No.	Part Name	No. Req.	Ref. No.	Part No.	Part Name	No. Req.
1	073229	Twinebox Cover	1	16	060302	Support Rod	1
		(Used after Serial #11109)				(1) 1/2 N,P - (2) 1/2 JN	
	059794	Twinebox Cover	1	17	074503	Cylinder Mount	1
		(Used before Serial #11110)				(Used after Serial #11509)	
	650486	CS 5/16 x 3/4 (N,L)	3		059723A	Cylinder Mount	1
2	054959	Spring Washer	3			(Used before Serial #11510)	
		(Two used before Serial #11110)			650834	CB 1/2 x 2-1/2 (4N,L,P,JN)	2
3	059799	Twine Bolt	3	18	061708B	Shear Bolt 1/4 x 1 Grade 1	1
		(Two used before Serial #11110)				(1) 1/4 LN	
4	044116	Latch	1	19	059708	Spacer	1
	650812	RHMS #1224 x 1/2 (N,L)	2	20	061052	Activating Lever	1
5	073224	Twinebox	1	21	071520	Washer	2
		(Used after Serial #11109)		22	043314	U-Bolt	1
	061700	CS 5/16 x 1-3/4 Grade 2 (LN) ...	16	23	055030	Hose Clamp	1
	650486	CS 5/16 x 3/4 (N,L)	5	24	057919	Twine Knife	2
	650490	CS 3/8 x 1 (N,L,P)	1		650488	CS 1/4 x 3/4 (N,L)	2
	069832	Twinebox	1		650835	CS 1/4 x 1 (N,L)	2
		(Used before Serial #11110)		25	061055	Lever Activating Arm	1
6	059721	Rope Guide	3		650692	CS 5/16 x 3/4 (NILN)	1
7	B11069	U-Bolt	3	26	070636	Grommet	1
		(4) 5/16 LN		27	070842	Twine Tube	1
8	057422	Twine Guide Angle	1		650492	CS 3/8 x 2-1/2 (LN)	1
	650449	CS 1/4 x 2-1/2 (LN,P)	2	28	070845	Twine Tube	1
9	M12361	Spring	2	29	070846	Upper Twine Guide Support	1
10	057920	Knife Spacer	1			(2) 5/16 LN - (2) 3/8 LN	
11	071518	Nylon Bushing	1				
12	070613	Extension Spring	1				
13	520210	Needle Bearing	1				
14	073171	Twine Tube Cutoff	1				
	650659	CS 1/2 x 1-3/4 (LN,P)	1				
15	070840	Bushing	1				

A For replacement, order Mount 074503.

B For replacement Shear Bolts, order Kit 9000091 containing 8 bolts.

RB1850 - PICKUP LIFT & OVERFILL CLUTCH

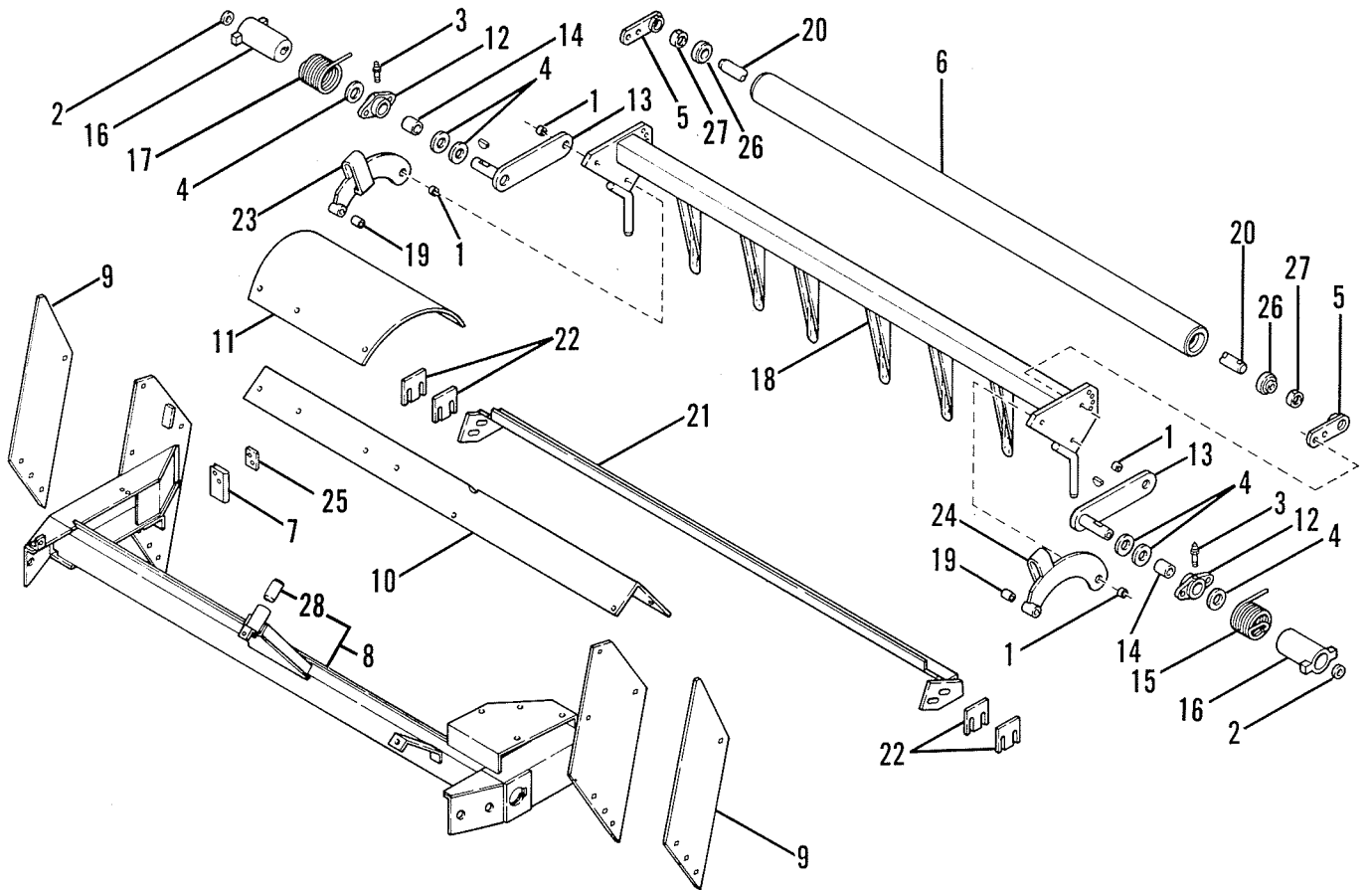
IMPORTANT: Order by Part Number - DO NOT use Illustration Reference Numbers.



Ref. No.	Part No.	Part Name	No. Req.
1	C133	Compression Spring	1
2	9H300	Lock Pin	1
3	U10063	Stop Dog Spring	1
4	B11090	Eccentric Spacer	5
5	047028	Spacer	1
6	047956	Spacer	1
7	056145	Pully Bracket	3
		(Four used before Serial #11110)	
	650486	CS 5/16 x 3/4 (N,L,P)	1
	650487	CS 5/16 x 1 (N,L)	2
8	058539	Pulley - 1" Dia.	1
	650486	CS 5/16 x 3/4 (N,P)	1
9	061529	Shim	3
10	065679	Pivot	2
	570002	Grease Fitting	2
11	065680	Spring Anchor Bracket	1
	650704	CB 3/8 x 1 (N,L)	2
12	065703	Spacer	3
13	065708	Lift Rod	2
	650569	CS 1/2 x 1-3/4 (NILN,P)	2
14	065714	Torsion Shaft	1
	650554	Cotter Pin 1/4 x 2-1/4	2
	655539	Woodruff Key 1/4 x 1-1/8	2
15	065715	Right Pickup Lift	1
16	065718	Left Pickup Lift	1
17	066537	Overfill Clutch	1
	650859	CS 5/8 x 3-1/4 (N,L,P)	1
18	066540	Pivot Spacer	1

Ref. No.	Part No.	Part Name	No. Req.
19	053900	Pulley	4
		(Used after Serial #11109)	
	066542	Pulley	4
		(Used before Serial #11110)	
	650545	CS 5/16 x 1-1/4 (N)	3
	650577	CS 5/16 x 1-1/2 (N)	1
20	066543	Bronze Bushing	4
		(Used before Serial #11110)	
21	067879	Cable Anchor	1
	650687	CB 5/16 x 3/4 (N,L)	2
22	070605	Wire Rope	1
23	071884	Spring Guide	1
	650569	CS 1/2 x 1-3/4 (N,L,P)	1
24	071886	Stop Pin	1

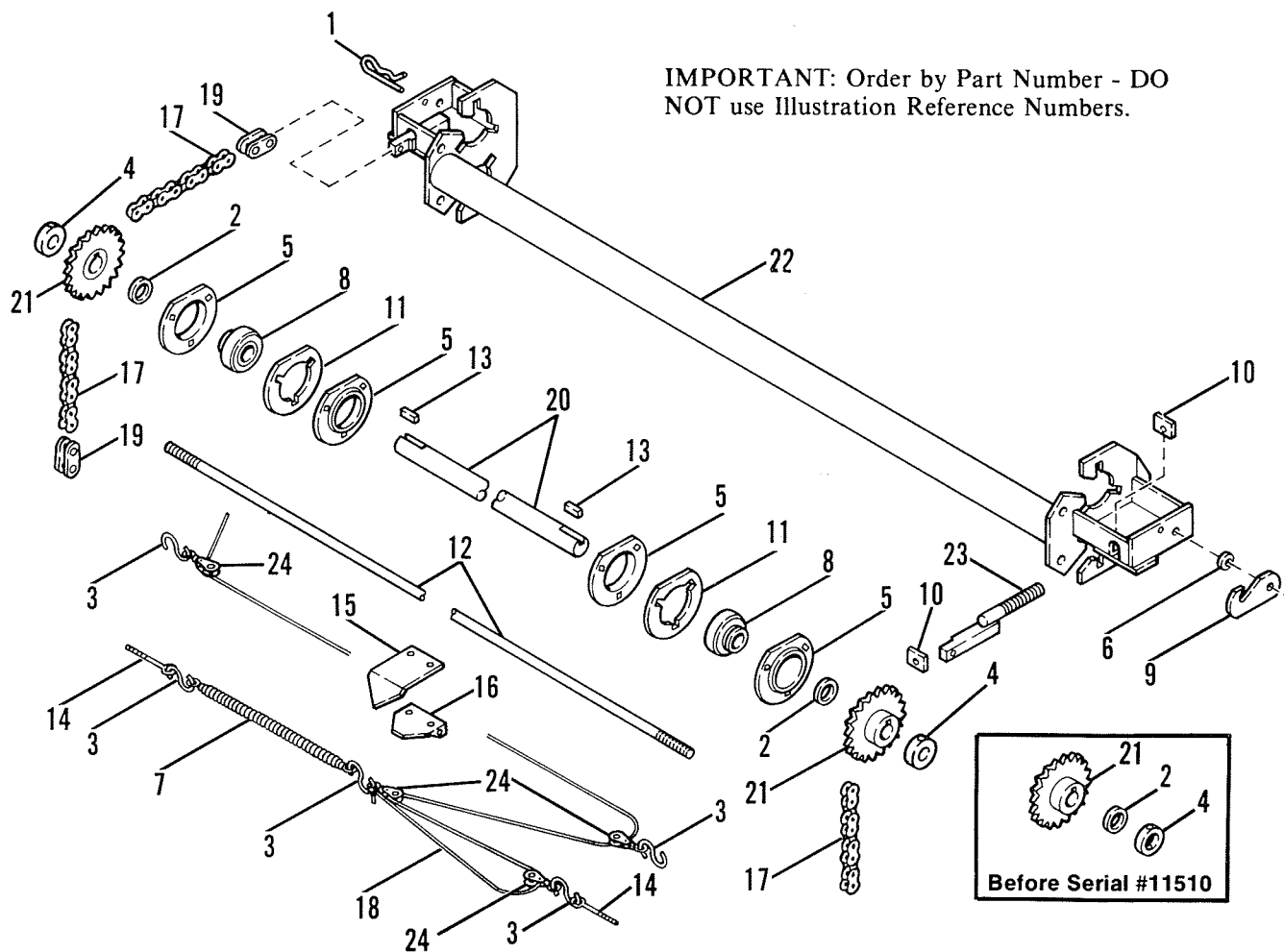
RB1850 - BALE STARTER



Ref. No.	Part No.	Part Name	No. Req.	Ref. No.	Part No.	Part Name	No. Req.
1	057185	Spacer	4	14	070795	Sleeve	2
2	063586	Washer	2	15	070796	Left Bale Starter Spring	1
3	064389	Grease Fitting.....	2	16	070797	Spring Plug.....	2
4	066487	Washer.....	6		650491	HHCS 3/8 x 1-1/4	2
5	069797	Bale Starter Roller Support.....	2		(2) 3/8 LW		
6	070598	Bale Starter Roller.....	1	17	070798	Right Bale Starter Spring.....	1
7	070637	Bumper Pad	1	18	070799	Bale Starter.....	1
	650835	HHCS 1/4 x 1	2		650490	HHCS 3/8 x 1	4
	(2) 1/4 HLN				(4) 3/8 HLN		
8	070682	Front Frame.....	1	19	070804	Pivot Spacer	2
	570019	Grease Fitting.....	1	20	070805	Bale Starter Roller Shaft	1
9	070691	Filler Plate	2		650706	HHCS 1/4 x 2	1
10	070715	Frame Shield	1		(1) 1/4 HLN		
	650835	HHCS 1/4 x 1	1	21	070806	Scraper	1
	(2) 1/4 HN				650786	CB 3/8 x 1-1/4.....	4
	650486	HHCS 5/16 x 3/4	9		(4) 3/8 HN - (4) LW		
	(9) 5/16 HN - (9) LW			22	070810	Shim.....	4
11	070717	Twine Cutoff Guard	1	23	071509	Right Link	1
	650486	HHCS 5/16 x 3/4	2		650818	HHCS 3/8 x 3	1
	650545	HHCS 5/16 x 1-1/4	1		(1) 3/8 NILN - (1) LW - (4) PW		
	(3) 5/16 HN - (3) LW			24	071512	Left Link.....	1
	650490	HHCS 3/8 x 1	1		650818	HHCS 3/8 x 3	1
	(1) 3/8 HN - (1) LW - (1) PW				(1) 3/8 NILN - (1) LW - (4) PW		
12	070791	Bale Starter Bearing	2	25	071883	Backup Plate	1
	650490	HHCS 3/8 x 1	4	26	520062	Ball Bearing	2
	(4) 3/8 HLN - (4) LW			27	520084	Bearing Lock Collar.....	2
13	070792	Bale Starter Arm	2	28	C14061A	Brass Bushing	1
	650513	Woodruff Key 1/4 x 1	2				

RB1850 - SHUTTLE & BALE SIZE INDICATOR

IMPORTANT: Order by Part Number - DO NOT use Illustration Reference Numbers.

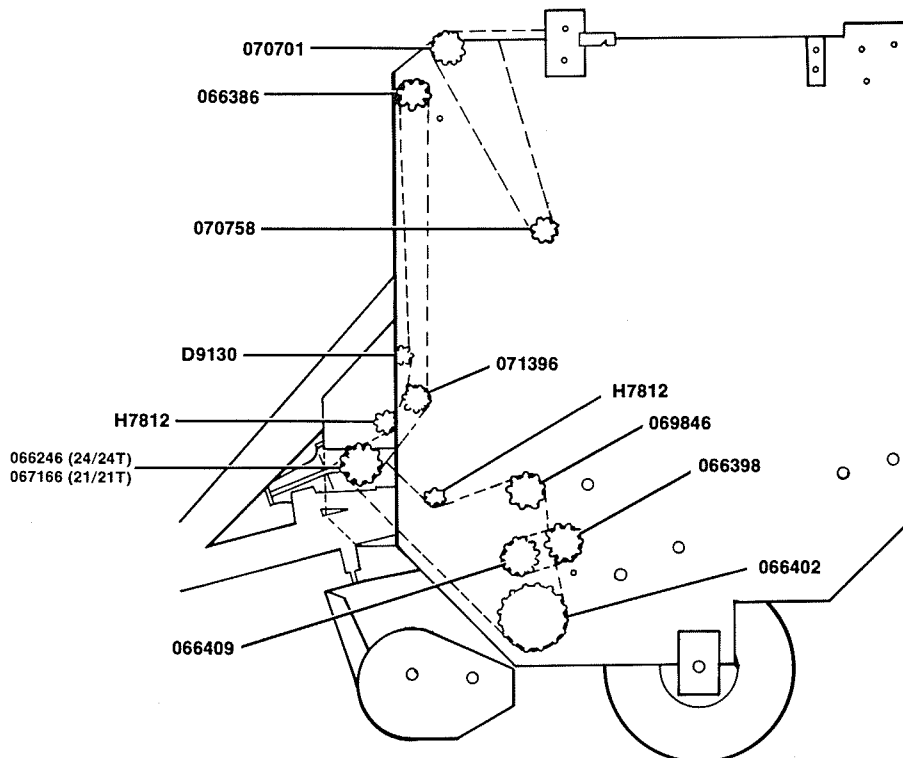
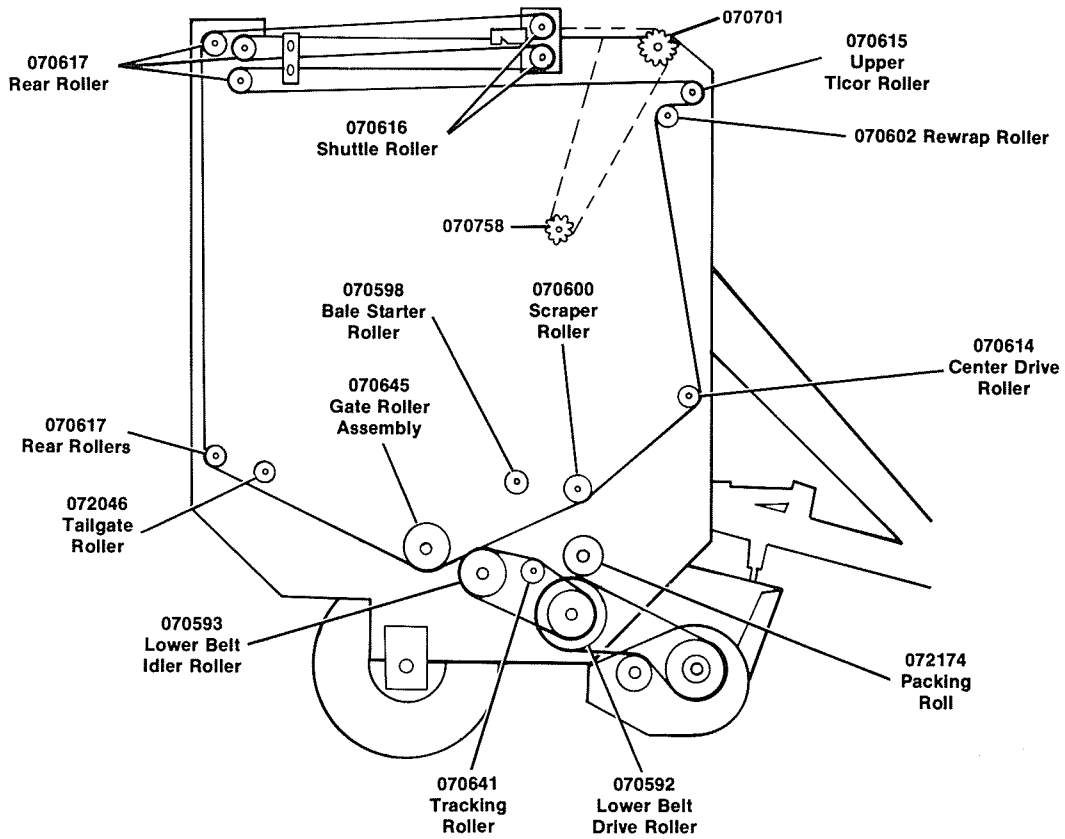


Ref. No.	Part No.	Part Name	No. Req.
1	9H300	Lock Pin	2
2	H7165	Washer	2
3	B11433A	Release Chain Hook	5
4	074408	Jackshaft Collar	2
	041155A	Jackshaft Collar	2
	650449	CS 1/4 x 2-1/2 (LN)	2
5	051525	Bearing Retainer	4
	650704	CB 3/8 x 1	6
		(6) 3/8 HN - (6) LW	
6	055142	Spring Washer	2
7	056336	Extension Spring	1
8	057179	Ball Bearing	2
9	057980	Hook	2
	650495	HHCS 1/2 x 1-1/4	2
		(2) 1/2 NILN	
10	059720	Takeup Retainer	2
	650487	HHCS 5/16 x 1	1
		(1) 5/16 HN - (1) LW	
11	061509	Retainer Shim	2
12	061711	Rewrap Rod	1
		(4) 5/8 HN	

Ref. No.	Part No.	Part Name	No. Req.
13	066160	Square Key 5/16 x 2	2
14	066172	Eyebolt	2
		(4) 5/16 HN - (2) PW	
15	066173	Bale Size Indicator	1
	650490	HHCS 3/8 x 1	2
		(2) 3/8 HN - (2) LW - (4) PW	
16	066174	Indicator Base	1
17	070603	Roller Chain (#60) of 105 Links Only	2
18	070607	Cord 3/16 x 198"	1
19	070643	Plain Link	4
20	070700	Stabilizer Shaft	1
21	070701	Sprocket (21T)	2
22	070721	Shuttle	1
	650834	CB 1/2 x 1-1/2	2
		(2) 1/2 HJN - (2) HN	
23	070730	Chain Takeup	1
		(2) 3/4 HN	
24	071660	Pulley - 3/4 Dia.	4
	650487	HHCS 5/16 x 1	2
		(2) 5/16 HLN - (6) PW	

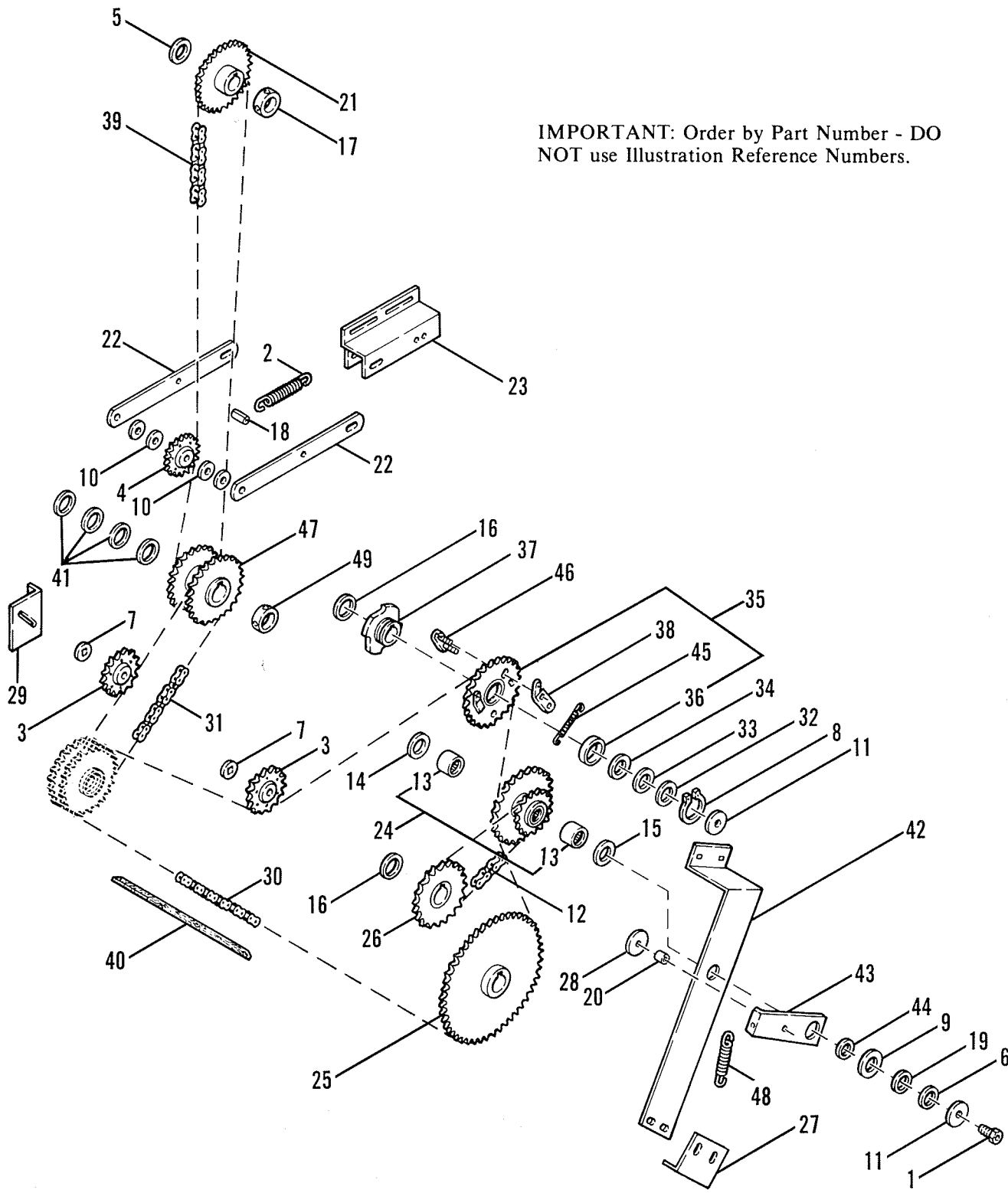
A For replacement order Collar 074408.

RB1850 - SPROCKET & ROLLER PART NUMBER GUIDE



RB1850 - ROLLER DRIVE

IMPORTANT: Order by Part Number - DO NOT use Illustration Reference Numbers.



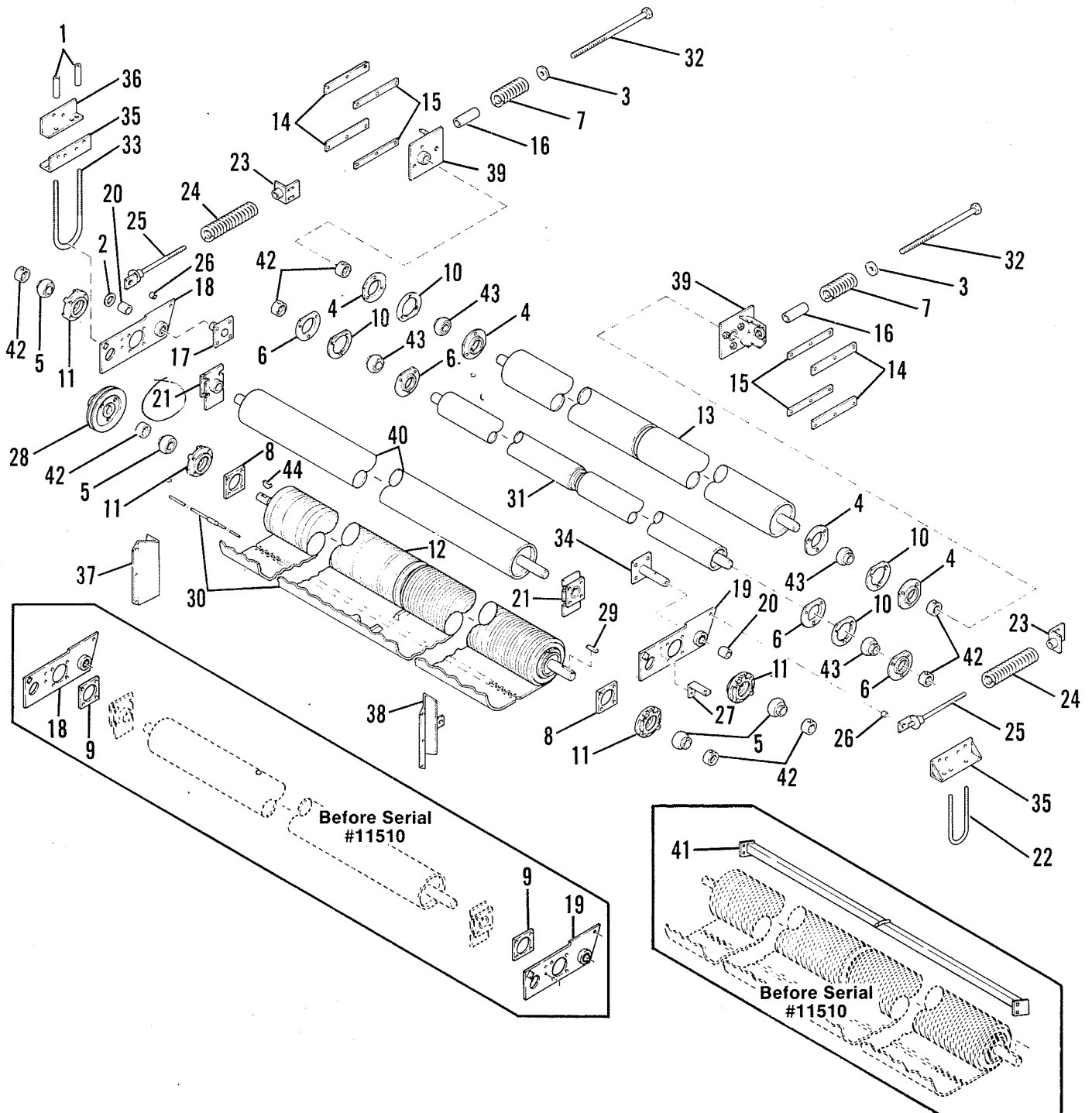
RB1850 - ROLLER DRIVE

Ref. No.	Part No.	Part Name	No. Req.	Ref. No.	Part No.	Part Name	No. Req.
1	9H240	Cap Screw.....	1	30	052575	Chain #60 of 132 Links Including	
	570019	Grease Fitting.....	1			One 500160 Connector	1
2	17H349	Chain Tightener Spring	1			(Used after Serial #11509)	
3	H7812	Chain Tightener Sprocket (15T) ..	2		066545	Chain #60 of 134 Links Including	
	650774	CB 1/2 x 2	2			One 500160 Connector	1
		(2) 1/2 HN - (2) LW				(Used before Serial #11510)	
4	D9130	Idler Sprocket (17T)	1	31	069084c	Chain #60 of 50 Links Including	
	650502	HHCS 1/2 x 2-1/4	1			One 500160 Connector	1
		(1) 1/2 HN - (1) LW - (2) PW				(Used after Serial #11509)	
5	B11162B	Shim Washer	1		068921d	Chain #60 of 51 Links Including	
6	C14121	Washer.....	1			One 500160 Connector & One	
7	048459	Washer.....	2			500161 Offset Link	1
8	052205	Retaining Ring.....	1			(Used before Serial #11510)	
9	054353	Washer.....	As Req'd.	32	069792	Washer.....	1
10	055098	Washer.....	2	33	069793	Washer.....	1
11	055447	Washer.....	2	34	069794	Washer.....	1
12	055458	Roller Chain (#60) of 32 Links		35	069846	Sprocket (24T)	1
		Including One (500160) Connector				(Includes 069847 Bushing)	
		Link	1	36	069847	Bushing	1
13	056345	Needle Bearing	2	37	069850	Clutch Plate	1
14	057350	Thrust Bearing Race	1	38	070072	Spring Extension Bracket.....	1
15	057351	Thrust Bearing Race	1	39	070604	Roller Chain (#50) of 192 Links	
16	057617	Washer.....	2			Including One (500057) Plain Con-	
17	058489	Set Collar	1			connector & Two (500058) Offset	
	650204	SHSS 5/16 x 3/8.....	2			Connectors	1
18	058493	Idler Bracket Spacer	1	40	070639	Chain Slide	1
19	061529	Washer Shim	As Req'd.		650704	CB 3/8 x 1	2
20	074027	Spacer	1			(2) 3/8 HN - (2) LW	
		(Used after Serial #11509)		41	070736	Washer.....	4
	062102A	Spacer	1	42	070747	Outboard Support.....	1
		(Used before Serial #11510)			650704	CB 3/8 x 1	2
21	966386	Sprocket (29T)	1			(2) 3/8 HN - (2) LW	
22	066392	Idler Arm	2	43	074029	Idler Arm	1
23	066393	Idler Bracket.....	1			(Used after Serial #11509)	
	650493	HHCS 3/8 x 2-3/4	2		070748B	Idler Arm	1
		(2) 3/8 HLN - (2) PW				(Used before Serial #11510)	
24	066398	Idler Sprocket (15-25T)	1		650692	CS 5/16 x 1-3/4 (LN,P,L)	1
		(Includes Two 056345 Needle		44	070749	Spacer	1
		Bearings)		45	070870	Extension Spring	1
25	066402	Sprocket (48T)	1	46	071290	Clutch Link.....	1
26	066409	Sprocket (21T)	1			(2) 5/16 NILN	
	650213	SHSS 3/8 x 3/8.....	2	47	071396	Sprocket (24-26T)	1
27	066413	Bracket	1	48	071999	Extension Spring	1
	650490	HHCS 3/8 x 1	2	49	072069	Collar.....	1
	650491	HHCS 3/8 x 1-1/4	2		650733	HHCS 5/16 x 2-1/2	1
		(4) 3/8 HN - (4) LW - (6) PW				(1) 5/16 HN	
28	074028	Washer	1				
		(Used after Serial #11509)					
	066417B	Washer	1				
		(Used before Serial #11510)					
29	075689	Idler Bracket	1				
		(Used after Serial #11509)					
	066419	Idler Bracket	1				
		(Used before Serial #11510)					
	650704	CB 3/8 x 1 (N,L).....	2				

- A** For replacement, order 074027 Spacer.
B For replacement, order Arm 074029 and Kit 074890 which contains (1) 1/2 x 1-3/4 CS, (1) 1/2 LN, (1) 074027 Spacer & (1) 074028 Washer.
C For replacement, order 60HE Chain 075412.
D For replacement, order 60HE Chain 075412 and Link 047802.

RB1850 - LOWER ROLLERS

IMPORTANT: Order by Part Number - DO NOT use Illustration Reference Numbers.



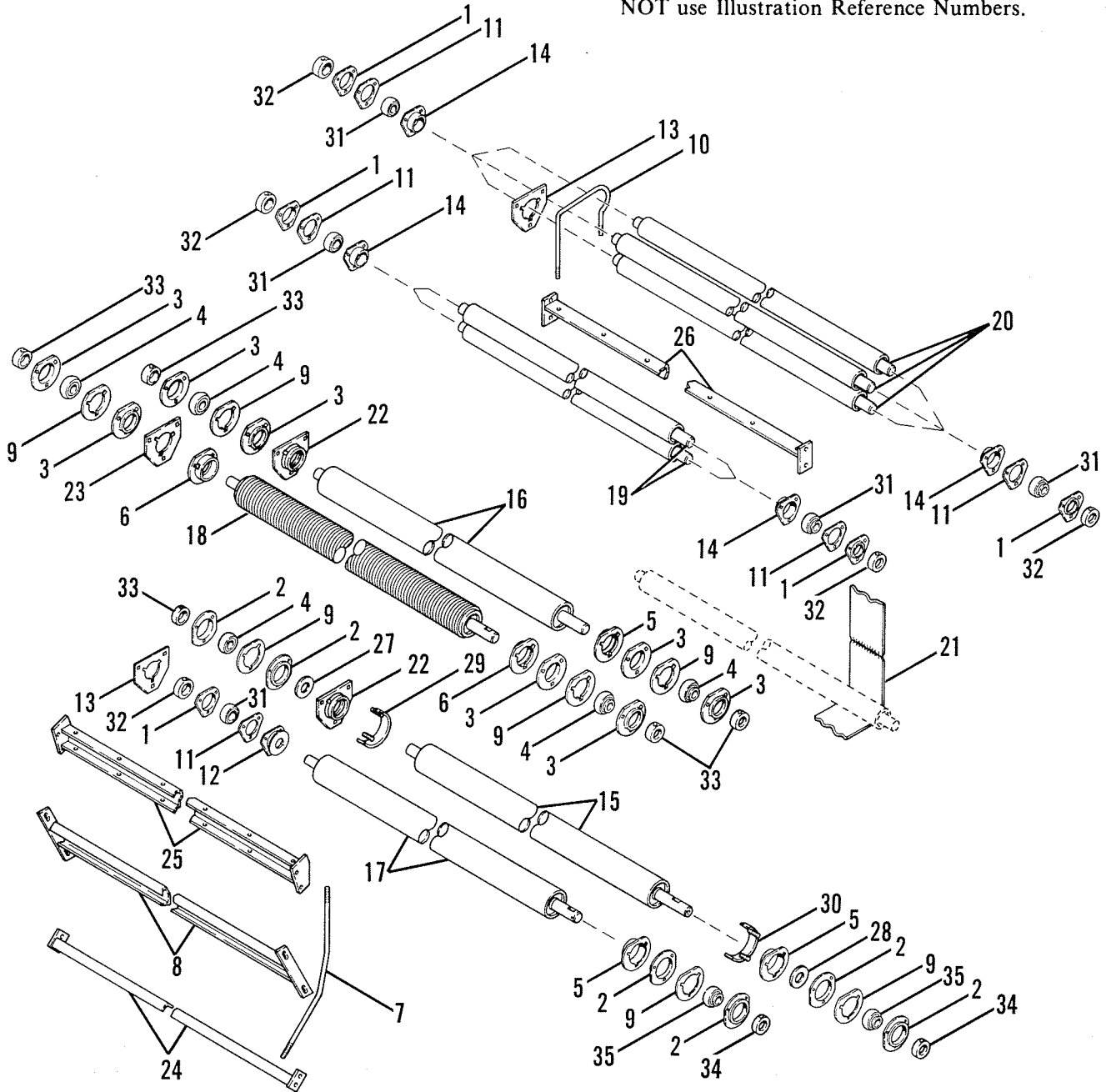
RB1850 - LOWER ROLLERS

Ref. No.	Part No.	Part Name	No. Req.	Ref. No.	Part No.	Part Name	No. Req.
1	D9128A	Spacer	2	26	066226	Pivot Bushing.....	2
2	B11090	Eccentric Spacer	1	27	066412	Spring Bracket.....	1
3	M12234	Washer	2		650487	CS 5/16 x 1 (N,L)	2
4	S16215	Bearing Retainer	4	28	066524	Sheave - 7-5/8" Dia.	1
	650490	CS 3/8 x 1 (L)	6		650213	SHSS 3/8 x 3/8.....	3
5	041499	Ball Bearing	4	29	068734B	Tapered Key 3/8 x 2	1
6	051525	Bearing Retainer	4	30	074727C-D	Apron Belt	1
	650704	CB 3/8 x 1 (N,L)	6			(Includes Lacing Pin)	
7	056344	Compression Spring	2	31	070641	4" Tracking Roller.....	1
8	057958	Roll Plate 9-1/2"	2	32	069853	CS 3/4 x 16	2
9	057960	Roller Spacer	2	33	070599	U-Bolt	1
		(Used before Serial #11510)				(4) 1/2 N - (2) P	
10	061509	Retainer Shim	4	34	074669	Left Jackshaft	1
11	061809	Bearing Housing	4			(Used after Serial #11509)	
	570003	Grease Fitting	4		070738A	Left Jackshaft	1
	650579	CS 3/8 x 1-3/4 (N,L)	16			(Used before Serial #11510)	
12	070592	Lower Belt Drive Roller.....	1		570019	Grease Fitting	1
	650513	Woodruff Key 1/4 x 1	1		650790	CB 3/8 x 3/4 (LN)	4
13	070593	Lower Belt Idler Roller.....	1			(1) 1/2 LN	
14	066193	Outer Slide	4	35	070740	Roll Arm Stop Bracket.....	2
	650786	CB 3/8 x 1-1/4 (N,L)	12		650490	CS 3/8 x 1 (N,L)	2
15	074239	Inner Slide	4		650495	CS 1/2 x 1-1/4 (N,L)	1
16	066195	Snubber	2	36	070742	Spring Anchor Support Bracket ...	1
17	074667	Right Jackshaft	1	37	071648	Right Deflector	1
		(Used after Serial #11509)			650486	CS 5/16 x 3/4 (N,L)	2
	066197A	Right Jackshaft	1		650949	STHMS 5/16 x 3/4 (N,L)	1
		(Used before Serial #11510)			650490	CS 3/8 x 1 (N,L,P)	1
	650554	Cotter Pin 1/4 x 2-1/4	1	38	071650	Left Deflector.....	1
	650790	CB 3/8 x 3/4 (LN)	4		650486	CS 5/16 x 3/4 (N,L)	2
18	073387	Right Roll Arm	1		650949	STHMS 5/16 x 3/4 (N,L)	1
		(Used after Serial #11509)			650490	CS 3/8 x 1 (N,L,P)	1
	066204A	Right Roll Arm	1	39	072022	Slide	2
		(Used before Serial #11510)		40	072174	Packing Roller.....	1
	570003	Grease Fitting	1		655536	Woodruff Key 3/8 x 1-1/4	1
19	073389	Left Roll Arm	1	41	075267E	Scraper	1
		(Used after Serial #11509)				(Used before Serial #11510)	
	066205A	Left Roll Arm	1	42	520093	Bearing Lock Collar	8
		(Used before Serial #11510)		43	520158	Ball Bearing	4
	570002	Grease Fitting	1	44	073846	Woodruff Key 1/4 x 1	1
20	066208	Bushing.....	2			(Used after Serial #11509)	
21	066210	Slide	2				
22	066218	U-Bolt	1				
		(4) 1/2 N					
23	066219	Spring Mount	2				
	650704	CB 3/8 x 1 (N,L,P)	4				
24	C14084	Compression Spring	2				
		(Used after Serial #11509)					
	066221	Compression Spring	2				
		(Used before Serial #11510)					
25	066222	Spring Guide Arm.....	2				
	650495	CS 1/2 x 1-1/4 (NILN,LN,P)	2				

- A** For replacement, order current part number.
- B** For replacement, order Kit 900415 containing 5 Keys.
- C** For Belt service, a 12" Belt Splice 061253 is available, see pages titled Options & Accessories.
- D** For Reconditioned Belt, order 074102 which includes Lacing Pin.
- E** After Serial #11509, order Kit 075266 (see Accessory section).

RB1850 - UPPER ROLLERS

IMPORTANT: Order by Part Number - DO NOT use Illustration Reference Numbers.



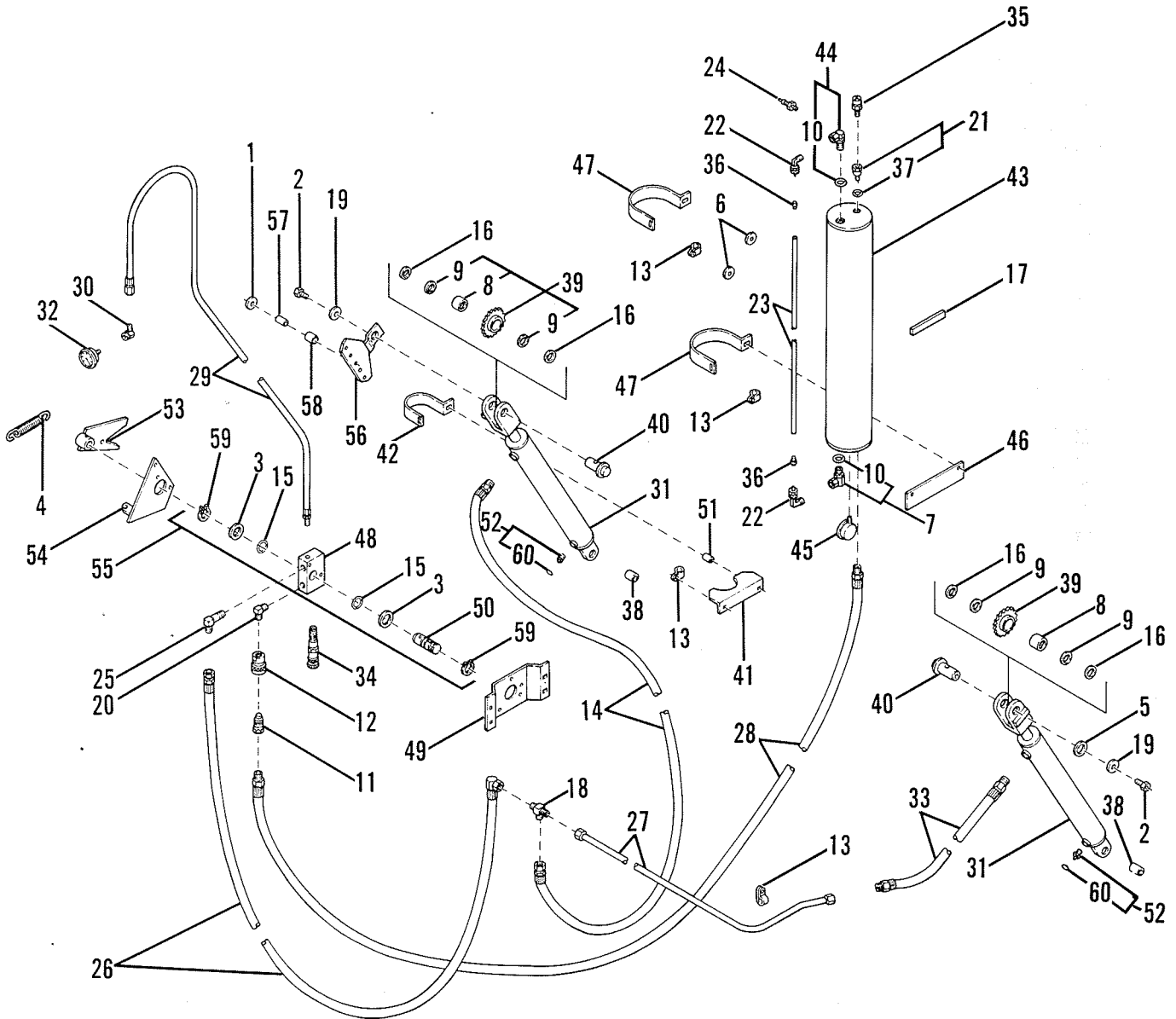
RB1850 - UPPER ROLLERS

Ref. No.	Part No.	Part Name	No. Req.	Ref. No.	Part No.	Part Name	No. Req.
1	H8334	Bearing Retainer	11	19	070616	Shuttle Roller	2
	650704	CB 3/8 x 1	33	20	070617	Rear Roller	3
		(15) 3/8 HN - (15) LW		21	070623 ^{A-B-C}	Upper Belt	7
2	S16215	Bearing Retainer	6	22	070702	Right Roller Shield	2
	650704	CB 3/8 x 1	3	23	070703	Plate	1
	650786	CB 3/8 x 1-1/4	2	24	070705	Belt Guide	1
		(9) 3/8 HN - (9) LW			650490	HHCS 3/8 x 1	6
3	051525	Bearing Retainer	8			(6) 3/8 HN - (6) LW	
	650704	CB 3/8 x 1	9	25	070708	Top Front Belt Guide	1
	650786	CB 3/8 x 1-1/4	3		650490	HHCS 3/8 x 1	4
		(12) 3/8 HN - (12) LW				(4) 3/8 HN - (4) LW	
4	057179	Ball Bearing	5	26	070710	Belt Guide	2
5	057965	Left Roll Shield	3		650490	HHCS 3/8 x 1	6
6	057967	4" Roll Shield	2		650491	HHCS 3/8 x 1-1/4	2
7	059650	Front Guide Rod	8			(8) 3/8 HN - (10) LW	
		(32) 1/2 HN		27	072938	Right Shield	1
8	059651	Guard	1			(Used Only after Serial #10909)	
	650490	HHCS 3/8 x 1	4	28	072939	Left Shield	1
		(4) 3/8 HN - (4) LW - (4) PW				(Used Only after Serial #10909)	
9	061509	Retainer Shim	7	29	072940	Right Roll Shield	1
10	066178	Rear Guide Rod	8			(Used after Serial #10909)	
		(32) 1/2 HN		30	072943	Left Roll Shield	1
11	066181	Bearing Spacer	11			(Used after Serial #10909)	
12	066182	Roll Shield	1	31	520065	Ball Bearing	11
13	066183	Plate	2	32	520085	Bearing Lock Collar	11
14	066309	Retainer	10	33	520090	Bearing Lock Collar	5
15	070600	Scraper Roller	1	34	520093	Bearing Lock Collar	2
	655537	Woodruff Key 5/16 x 1-1/4	1	35	520158	Ball Bearing	2
	650494	HHCS 1/2 x 1	1				
		(1) 1/2 LW					
16	070602	Rewrap Roller	1				
17	070614	Center Drive Roller	1				
	655537	Woodruff Key 5/16 x 1-1/4	1				
18	070615	Upper Ticor Roller	1				
	655539	Woodruff Key 1/4 x 1-1/8	1				

A For Upper Belt Repair, order 059802 Dutchman.
B For Upper Belt Lacing Kit, order 073390.
C For Replacement of Connector Pin, order only 060345 72" Cable and cut into length required.

RB1850 - TOTAL DENSITY CONTROL (TDC)

IMPORTANT: Order by Part Number - DO NOT use Illustration Reference Numbers.



RB1850 - TOTAL DENSITY CONTROL (TDC)

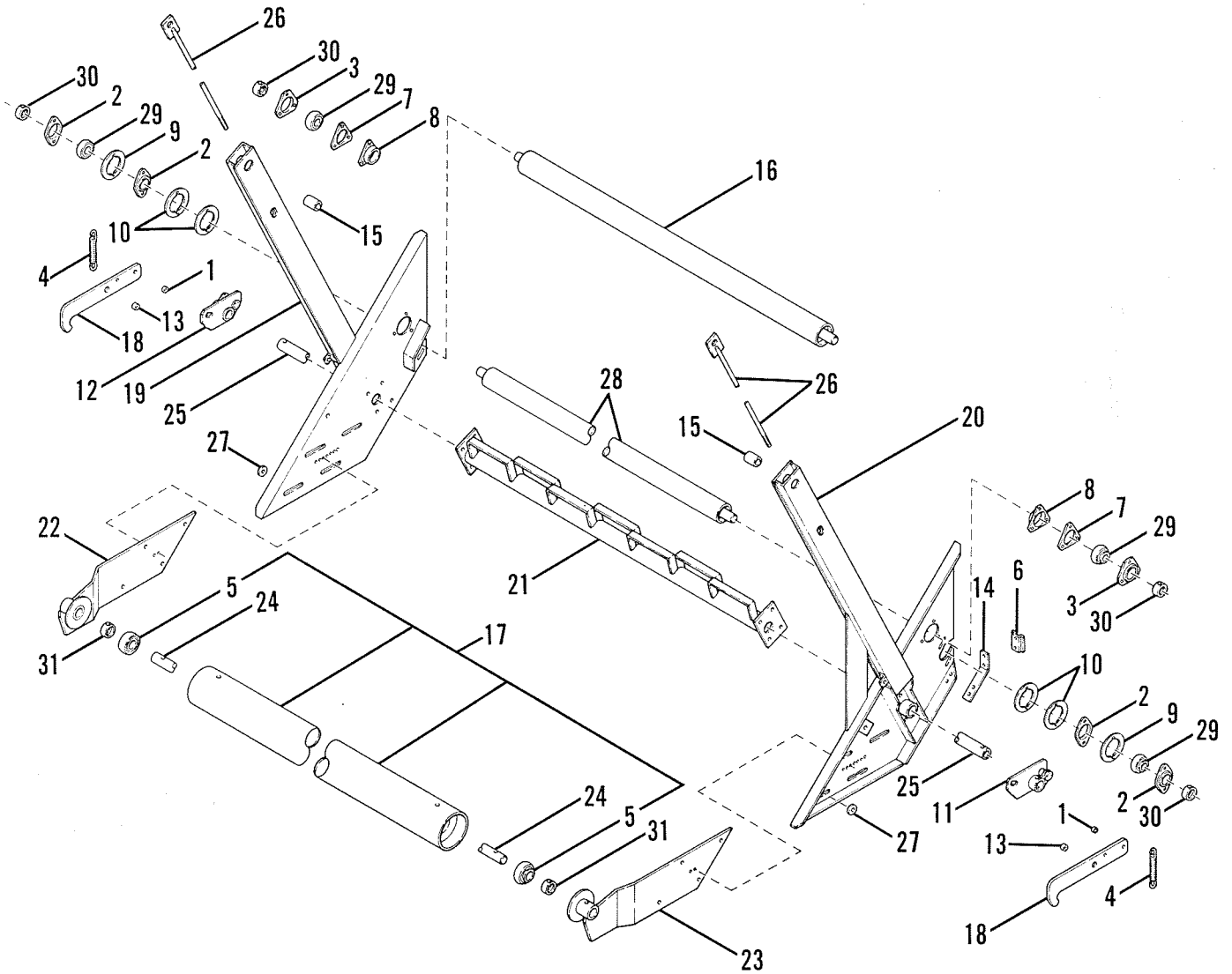
Ref. No.	Part No.	Part Name	No. Req.	Ref. No.	Part No.	Part Name	No. Req.
1	7K73	Washer.....	1	33	070631	Hose - 15".....	1
2	9H240	HHCS 1/2 x 1 Grade 2.....	2	34	070633A	Cartridge Valve.....	1
	570019	Grease Fitting.....	2	35	070638	Relief Valve.....	1
3	H267A	Washer.....	2	36	070644	Sleeve.....	2
4	U10014B	Pawl Spring.....	1	37	070752	O-Ring.....	1
	650491	HHCS 3/8 x 1-1/4.....	1	38	070757	Spacer.....	2
	650492	HHCS 3/8 x 2-1/2.....	1	39	070758	Sprocket (16T).....	2
	(4) 3/8 HN				570019	Grease Fitting.....	2
5	B11162B	Shim Washer.....	1		(2) 1/2 LW		
6	B11343	Stake Bolt Washer.....	2	40	070765	Pin.....	2
7	042598	90° Swivel Adapter Union.....	1	41	070767	Support Angle.....	1
8	051250	Needle Bearing.....	2	42	070768	Cylinder Strap.....	1
9	053342	Oil Seal.....	4		652053	CB 3/8 x 2.....	1
10	055896	O-Ring.....	2		(2) 3/8 HN - (1) LW - (3) PW		
11	056080	Male Quick-disconnect.....	1	43	070769	Reservoir.....	1
12	056081	Female Quick-disconnect.....	1		(Includes Metal-trapping Magnet)		
13	056773	Clamp.....	6	44	070775	90° Elbow.....	1
	650490	HHCS 3/8 x 1.....	3	45	070777	Gauge.....	1
	650704	CB 3/8 x 1.....	3	46	070778	Angle.....	1
	(6) 3/8 HN - (6) LW - (6) PW			47	070779	Accumulator Strap.....	2
14	058613	Hose - 33".....	1		650773	CB 3/8 x 1-1/2.....	2
15	059424	O-Ring.....	2		(4) 3/8 HN - (4) LW - (6) PW		
16	061529	Washer Shim.....	4	48	070787	Manifold.....	1
17	062871	Foam Pad.....	1	49	070788	Manifold Bracket.....	1
18	064669	Straight Thread Union Tee.....	1	50	070789	Valve Spool.....	1
19	065663	Washer.....	2	51	071156	Spacer.....	1
20	067458	90° Male Pipe Elbow.....	1	52	071415	Relief Fitting.....	2
21	070609	Adapter.....	1	53	071739	Valve Trip.....	1
22	070610	Male 90° Elbow.....	2		650535	HHCS 3/8 x 2-1/4.....	1
23	070611	Sight Tube.....	1		(1) 3/8 HLN		
24	070612	Tank Valve.....	1	54	071741	Stop Bracket.....	1
25	070619	90° Male Pipe Elbow.....	1		650733	HHCS 5/16 x 2-1/2.....	2
26	070620	Hose - 34".....	1		(2) 5/16 HN - (2) LW		
27	070621	Hydraulic Tube.....	1	55	071747	Manifold - Assembled.....	1
28	070625	Hose - 46".....	1	56	072168	Trip Arm.....	1
29	070626	Hose - 22".....	1	57	072171	Spacer.....	1
30	070627	90° Female Elbow.....	1	58	072172	Spacer.....	1
31	070628B	Hydraulic Cylinder (3" Bore - 25" Stroke).....	2	59	540020	Retaining Ring.....	2
32	070630	Pressure Gauge.....	1	60	071417	O-Ring.....	2

A For Valve Seal Kit, order part #072855.

B For Hydraulic Cylinder Seal Kit, order part #071723.

RB1850 - REAR GATE

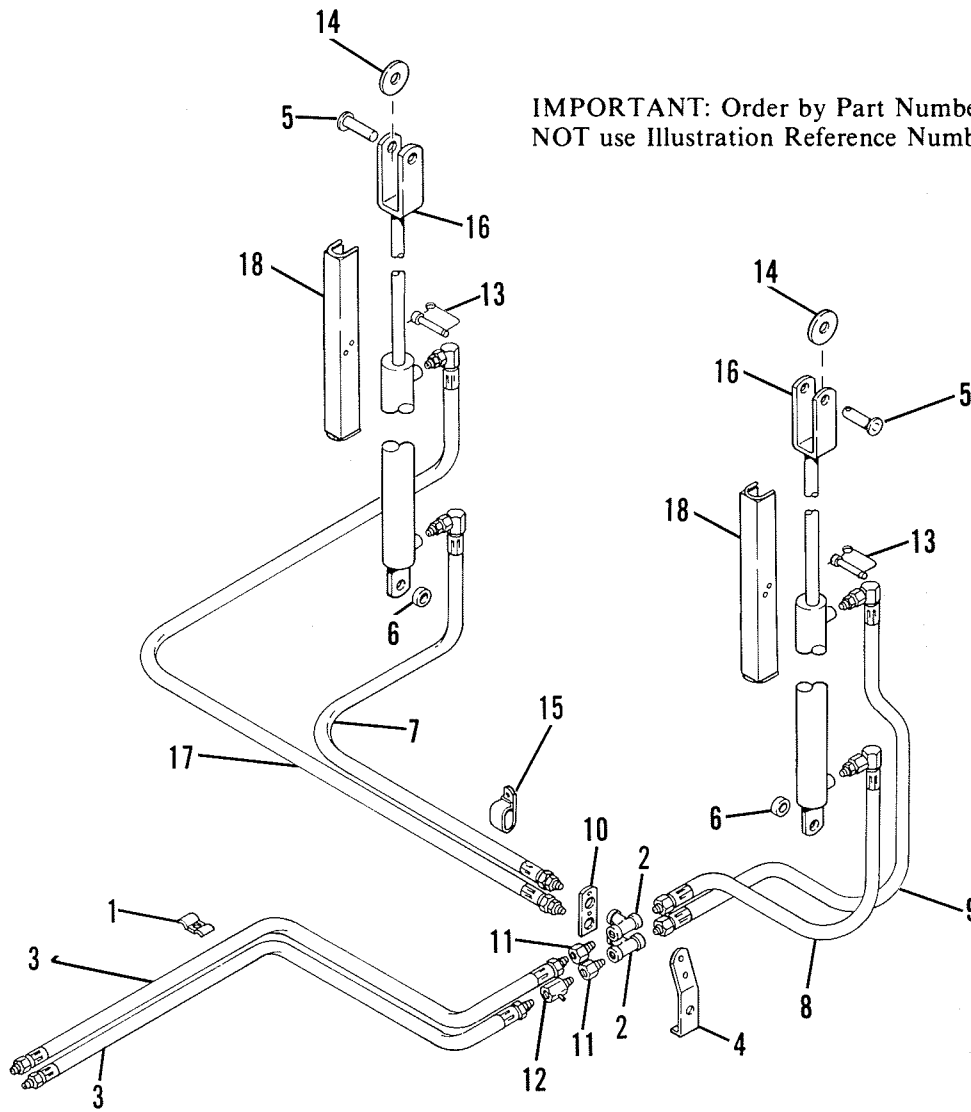
IMPORTANT: Order by Part Number - DO NOT use Illustration Reference Numbers.



RB1850 - REAR GATE

Ref. No.	Part No.	Part Name	No. Req.	Ref. No.	Part No.	Part Name	No. Req.
1	6H130	Pivot Bearing	2	19	070813	Right Gate	1
	650569	HHCS 1/2 x 1-3/4	2		570009	Grease Fitting.....	1
		(2) 1/2 NILN - (2) PW			650487	HHCS 5/16 x 1	1
2	H487	Bearing Retainer	4			(2) 5/16 HN	
	650786	CB 3/8 x 1-1/4.....	4	20	070821	Left Gate.....	1
		(4) 3/8 HN - (4) LW			570009	Grease Fitting.....	1
3	H8334	Bearing Retainer	2		650487	HHCS 5/16 x 1	1
	650704	CB 3/8 x 1	6			(2) 5/16 HN	
		(6) 3/8 HN - (6) LW		21	070824	Belt Guide.....	1
4	U10014B	Pawl Spring	2		650490	HHCS 3/8 x 1	8
5	041499	Ball Bearing	2			(8) 3/8 HN - (8) LW	
6	047269	SMV Emblem Mounting Socket..	1	22	070829	Right Gate Roller Arm.....	1
	650949	STHMS 5/16 x 3/4.....	2		650487	HHCS 5/16 x 1	1
		(2) 5/16 HN - (2) LW				(1) 5/16 HN - (1) LW	
7	066181	Bearing Spacer	2		650569	HHCS 1/2 x 1-3/4	4
8	066309	62 mm Bearing Retainer.....	2			(4) 1/2 NILN - (4) LW	
9	066350	Bearing Spacer	2	23	070831	Left Gate Roller Arm	1
10	066351	Bearing Spacer	4		650487	HHCS 5/16 x 1	1
11	066364	Left Torsion Arm	1			(1) 5/16 HN - (1) LW	
12	066365	Right Torsion Arm	1		650569	HHCS 1/2 x 1-3/4	4
13	066369	Gate Lock Arm Bushing.....	2			(4) 1/2 NILN - (4) LW	
14	066376	SMV Emblem Bracket	1	24	070833	Gate Roller Shaft.....	1
	650486	HHCS 5/16 x 3/4	2		650784	HHCS 5/16 x 2-3/4	2
		(2) 5/16 HN - (2) LW				(2) 5/16 HLN	
15	066377	Gate Pivot Bushing	2	25	070834	Gate Lock Pivot Tube	1
16	070617	Rear Roller	1		650492	HHCS 3/8 x 2-1/2	2
17	070645	Gate Roller	1			(2) 3/8 HLN	
	570019	Grease Fitting.....	2	26	070835	Lift Rod	2
	650784	HHCS 5/16 x 2-3/4	2			(2) 1/2 NILN	
		(2) 5/16 HLN		27	071520	Washer.....	8
18	070750	Gate Lock Arm	2	28	072046	Tailgate Roller	1
	650545	HHCS 5/16 x 1-1/4	2	29	520065	Ball Bearing	4
		(4) 5/16 HN		30	520085	Bearing Lock Collar	4
	650585	HHCS 1/2 x 2	2	31	520093	Bearing Lock Collar	2
		(2) 1/2 PW					

RB1850 - REAR GATE HYDRAULICS

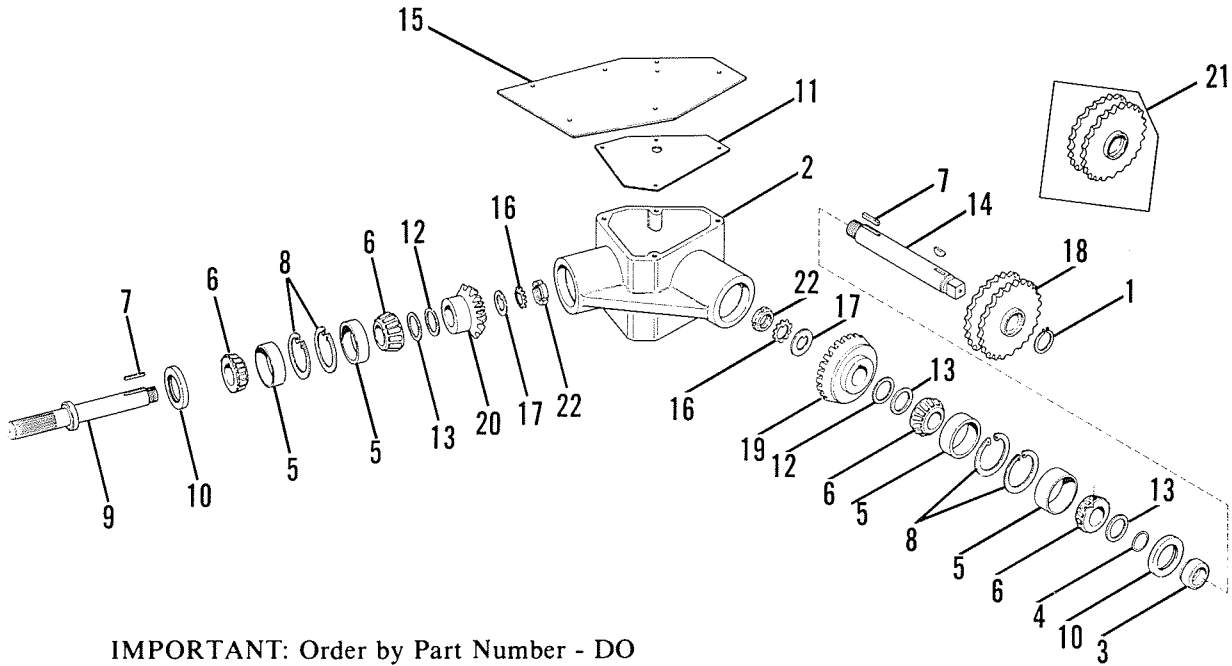


IMPORTANT: Order by Part Number - DO NOT use Illustration Reference Numbers.

Ref. No.	Part No.	Part Name	No. Req.	Ref. No.	Part No.	Part Name	No. Req.
1	H6094	Hose Clamp	4	10	066429	Retainer	1
	650453	HHCS 1/2 x 1-1/2	4	11	066431	Reducing Connector	2
	(4) 1/2	HILN		12	066432	Unidirect Throttle Valve	1
2	059113	Pipe Tee 1/4	2	13	066452	Lock Pin	2
3	059539	Hose - 120"	2	14	067491	Washer	2
4	066260	Junction Plate	1	15	067880	Hose Clamp	4
	650579	HHCS 3/8 x 1-3/4	2		650573	CB 5/16 x 1	1
	(2) 3/8	HLN			(1) 5/16 HN - (1) LW - (1) PW		
5	066383	Pin	2	16	070591A	Cylinder -	
	650022	Cotter Pin 3/16 x 1-3/4	2			2" Bore & 18-3/4" Stroke	2
6	066385	Cylinder Anchor Pivot	2		650913	HHCS 1NF x 2-1/2	2
7	066424	Hose - 130"	1		(2) 1" NILN - (2) PW		
8	066426	Hose - 72"	1	17	070595	Hose - 146"	1
9	066427	Hose - 90"	1	18	070811	Cylinder Lock	2

A For Cylinder Seal Kit, order part #066551.

RB1850 - TRANSMISSION

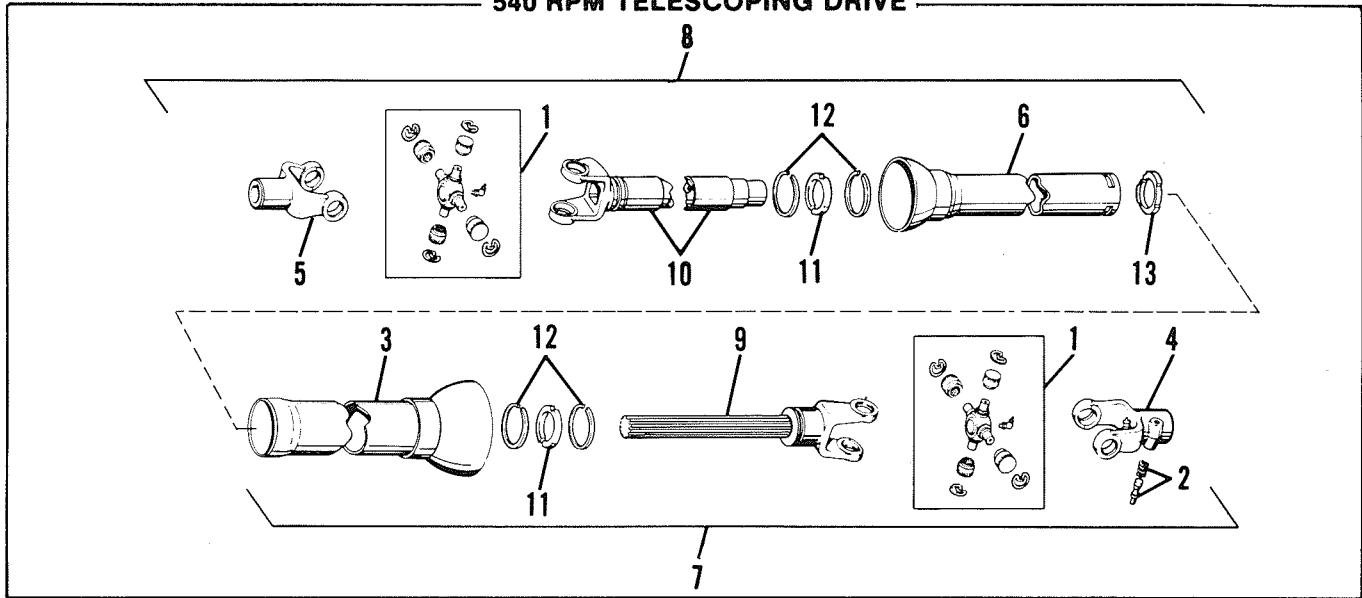


IMPORTANT: Order by Part Number - DO NOT use Illustration Reference Numbers.

Ref. No.	Part No.	Part Name	No. Req.	Ref. No.	Part No.	Part Name	No. Req.
	074694	Transmission w/21/21T Sprocket - Assembled	1	13	060516	Shim Washer	As Req'd.
		(Used after Serial #11509)		14	065728	Drive Shaft	1
	070714	Transmission w/24/24T Sprocket - Assembled	1		655536	Woodruff Key 3/8 x 1-1/4	1
		(Used before Serial #11510)		15	065729	Transmission Cover	1
		Consists of:			570016	Relief Fitting	1
1	054161	Snap Ring	1		650495	CS 1/2 x 1-1/4 (L)	4
2	059554	Transmission Housing	1	16	065730	Lock Washer	2
	660004	Pipe Plug - 1/2"	1	17	065731	Tongued Washer	2
3	059562	Hub	1	18	067166	Double Sprocket (21/21T)	1
4	059563	O-Ring	1			(Used after Serial #11509)	
5	059564	Bearing Cup	4		066246	Double Sprocket (24/24T)	1
6	059565	Bearing Cone	4			(Used before Serial #11510)	
7	059566	Key (3/8 x 3/8 x 1-1/2)	2	19	066252	Transmission Gear (24T)	1
8	059567	Snap Ring (Internal)	4	20	066253	Transmission Gear (15T)	1
9	059569	Drive Shaft	1	21	067170	Double Sprocket (14T-14T)	1
10	059572	Oil Seal	2			(1000 RPM Only)	
11	059574	Transmission Gasket	1	22	520000	Lock Nut	2
12	060515	Shim Washer	As Req'd.				

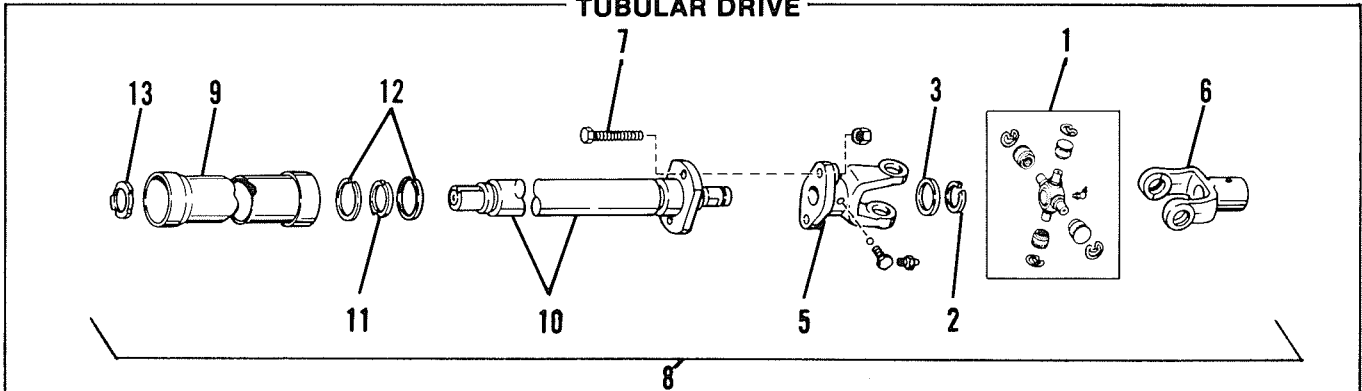
RB1850 - UNIVERSAL DRIVES

540 RPM TELESCOPING DRIVE



Ref. No.	Part No.	Part Name	No. Req.	Ref. No.	Part No.	Part Name	No. Req.
1	045327	Center Cross Kit	2	8	061125	Universal Joint w/Spline Tube - Assembled	1
	570014	Grease Fitting	2	9	061126	Yoke w/Spline Shaft	1
2	053865	Lockpin & Spring	1	10	061127	Yoke w/Spline Tube	1
3	055354	Female Guard	1	11	510023	Nylon Bearing	1
4	055355	Tractor Yoke (6 Spline)	1	12	510100	Bearing Retainer	4
5	055356	Yoke (1-5/16 Bore)	1	13	510215	Nylon Centralizer	1
6	055358	Male Guard	1				
7	061124	Universal Joint w/Spline Shaft - Assembled	1				

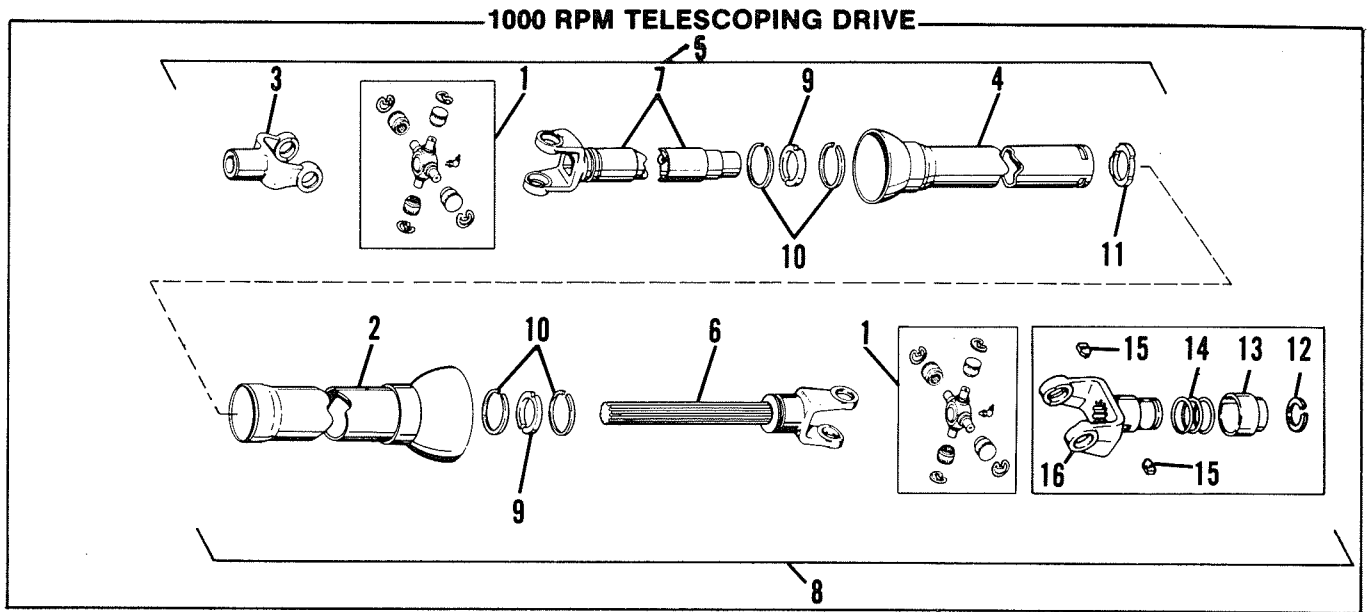
TUBULAR DRIVE



Ref. No.	Part No.	Part Name	No. Req.	Ref. No.	Part No.	Part Name	No. Req.
1	045327	Center Cross Kit	2	8	066284	Tubular Drive - Assembled	1
	570014	Grease Fitting	2	9	066554	Guard Tube	1
2	045882	Retaining Ring	1	10	066555	Drive Shaft	1
3	045883	Washer	1	11	510023	Nylon Bearing	2
4	059579	Lube Fitting & Ball	1	12	510100	Bearing Retainer	2
5	059580	Shear Yoke	1	13	510215	Centralizer Bearing	1
6	059581	Yoke	1				
7	061700A	Shear Bolt 5/16 x 1-3/4 Grade 2 (540 RPM)	1	A		For Replacement 540 RPM Shear Bolts, order Kit 900015 (containing 8 Bolts).	
	066285B	Shear Bolt 5/16 x 1-1/2 Grade 2 (1000 RPM)	1	B		For Replacement 1000 RPM Shear Bolts, order Kit 902261 (containing 8 Bolts).	

(1) 5/16 HLN

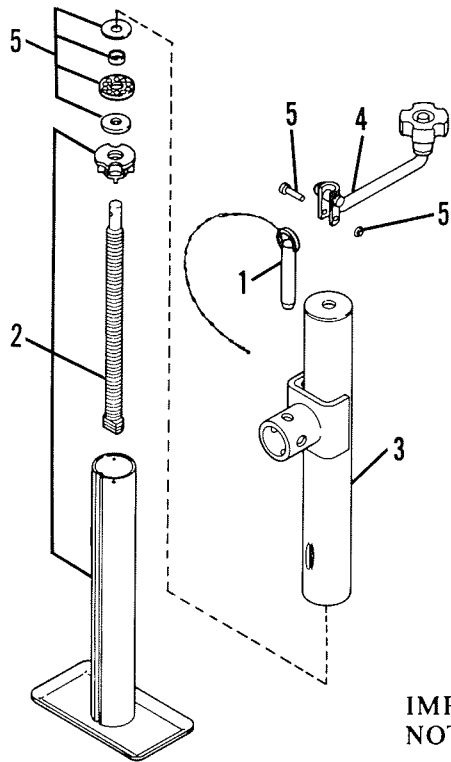
RB1850 - UNIVERSAL DRIVES



Ref. No.	Part No.	Part Name	No. Req.	Ref. No.	Part No.	Part Name	No. Req.
1	045327	Center Cross Kit	2	9	510023	Nylon Bearing	2
	570014	Grease Fitting	2	10	510100	Bearing Retainer	4
2	055354	Female Guard	1	11	510215	Nylon Centralizer	1
3	055356	Yoke - (1-5/16 Bore)	1	12	510226	Retaining Ring	1
4	055358	Male Guard	1	13	510227	Collar	1
5	061125	Universal Joint w/Spline Tube - Assembled	1	14	510228	Spring	1
6	061126	Yoke w/Spline Shaft	1	15	510229	Pawl	2
7	061127	Yoke w/Spline Tube	1	16	510233	Slide Lock Yoke	1
8	067173	Universal Joint w/Spline Shaft - Assembled	1				

RB1850 - HITCHJACK

071117 - HITCHJACK ASSEMBLED

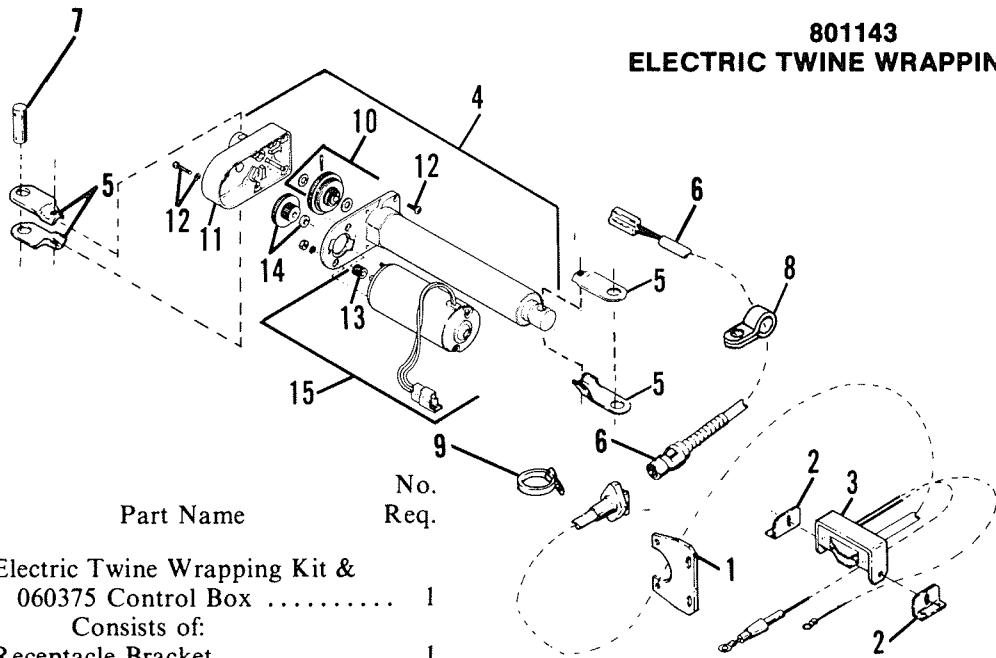


Ref. No.	Part No.	Part Name	No. Req.
	071117	Hitchjack - Assembled	1
Consists of:			
1	061276	Pin & Chain	1
2	061341	Inside Tube	1
3	061342	Outside Tube	1
4	055682	Crank Assembly	1
5	071271	Jack Repair Kit	1
(Includes a Crank Pin, Pushnut, Thrust Washer, Ball & Cage Bearing, Felt Spacer and a Support Washer)			

IMPORTANT: Order by Part Number - DO NOT use Illustration Reference Numbers.

RB1850 - OPTIONS & ACCESSORIES

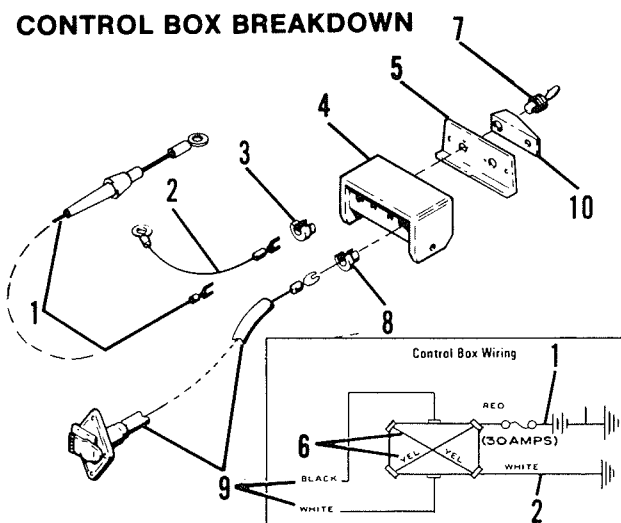
801143 ELECTRIC TWINE WRAPPING KIT



Ref. No.	Part No.	Part Name	No. Req.
801143		Electric Twine Wrapping Kit & 060375 Control Box	1
		Consists of:	
1	059052	Receptacle Bracket	1
	650487	HHCS 5/16 x 1 (2) 5/16 HN - (2) LW - (2) PW	2
2	059053	Mounting Bracket	2
	650448	HHCS 1/4 x 3/4 (4) 1/4 HN - (4) LW	4
3	060375	Control Box - Assembled	1
	650943	STHMS 1/4 x 1/2 (2) 1/4 HN - (2) LW	2
4	061058	Actuator - Assembled	1
5	061059	Yoke Clip	4
	650585	HHCS 1/2 x 2 (2) 1/2 HLN	2
6	061060	Power Cable	1
	650448	HHCS 1/4 x 3/4 (2) 1/4 HN - (2) LW	2
7	061061	Cylinder Pin	1
	655024	Cotter Pin 3/16 x 2	2
8	061062	Wire Clamp	5
	650490	HHCS 3/8 x 1 (3) 3/8 HLN - (3) PW	3

Ref. No.	Part No.	Part Name	No. Req.
9	063592	Wire Wrap	1
10	071099	Clutch Assembly (Includes One 72T Gear, One Pin and Two Shim Washers)	1
11	071100	Rear Housing Assembly	1
12	071101	Screw Package (Includes Six 3/16 x 5/8 Truss Head Screws and One 3/16 x 1 Truss Head Screw & Two Lock Washers)	1
13	071102	Pinion Gear	1
14	071103	Idler Gear	1
15	071104	Motor Assembly (Includes 071102 Gear)	1

CONTROL BOX BREAKDOWN

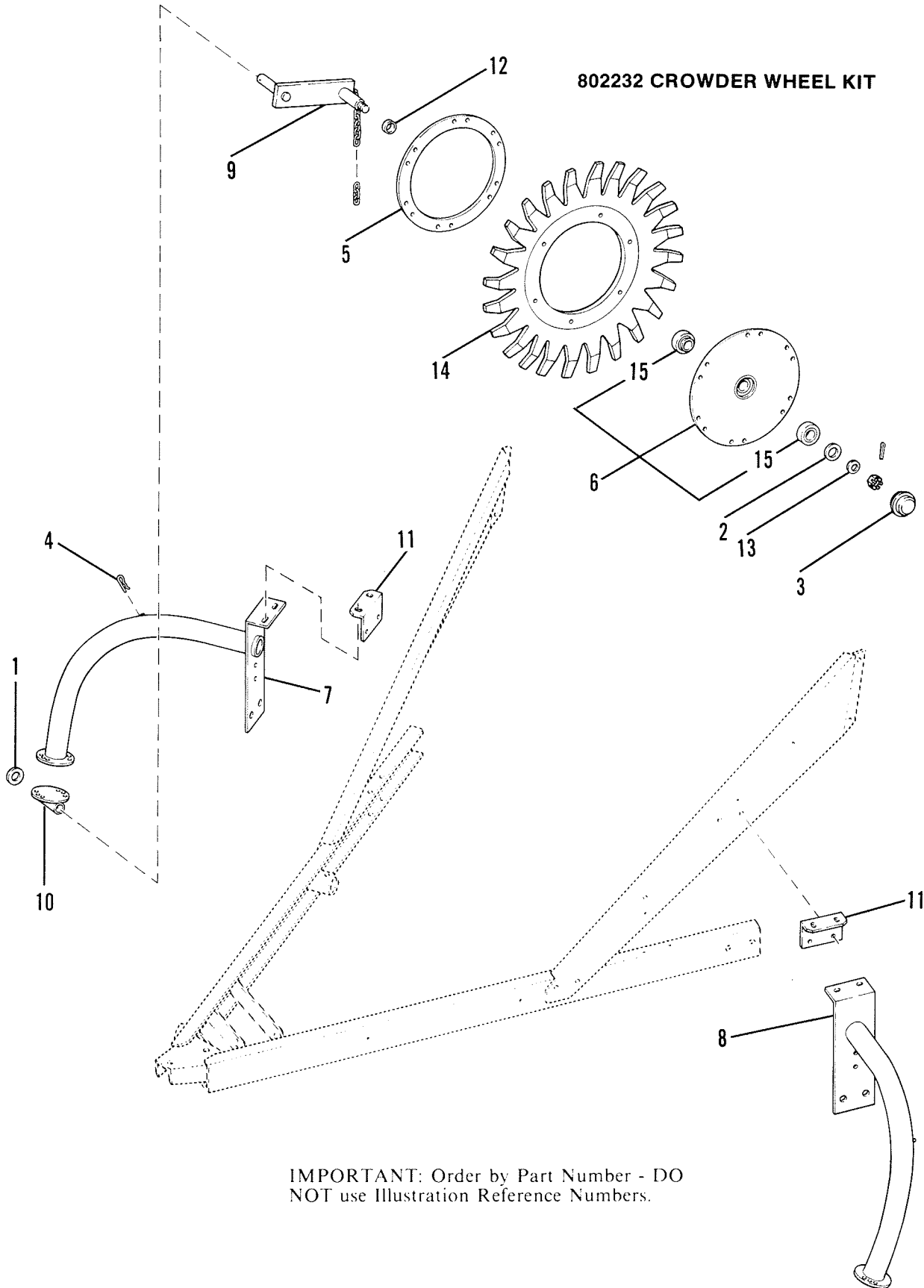


Ref. No.	Part No.	Part Name	No. Req.
	060375	Control Box - Assembled	1
		Consists of:	
1	057778	Power Cord	1
2	057779	Ground Cable	1
3	057781	Bushing	1
4	059055A 650702	Box RHSMS #6 x 3/8	1 2
5	059059 650943	Switch Plate THMS 1/4 x 1/2 (N,L,3P)	1 1
6	059064	Cable (Yellow)	1
7	059299	Toggle Switch	1
8	059321	Strain Relief Bushing	1
9	060376	Tractor Cable	1
10	060972	Toggle Guard	1

A For replacement, order Box 069255, Backplate 069257 & Two RHSMS 650702.

RB1850 - OPTIONS & ACCESSORIES

802232 CROWDER WHEEL KIT



IMPORTANT: Order by Part Number - DO NOT use Illustration Reference Numbers.

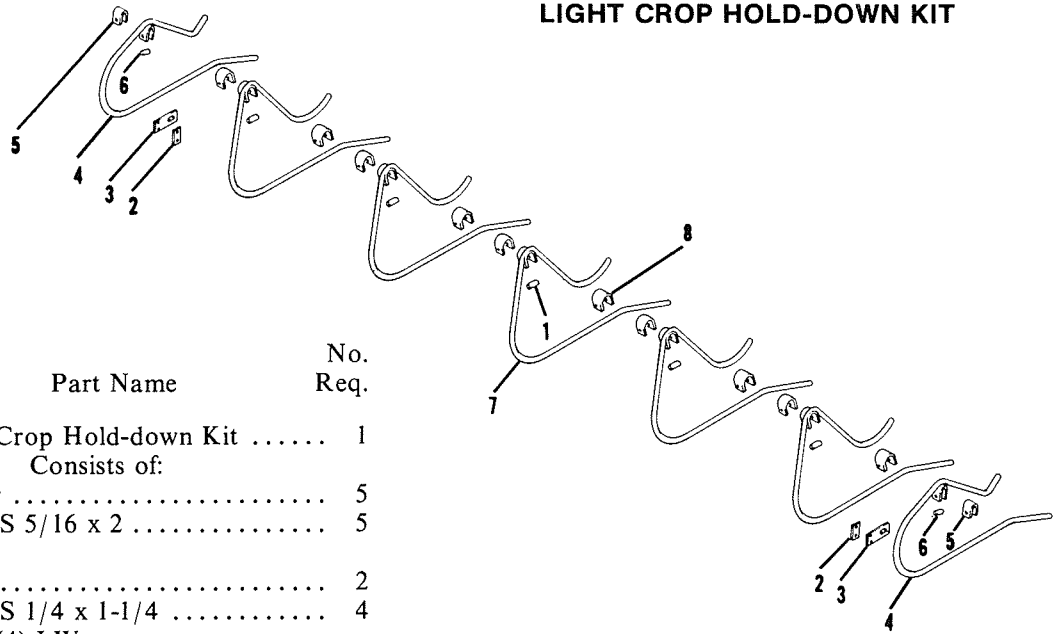
RB1850 - OPTIONS & ACCESSORIES

802232 CROWDER WHEEL KIT

Ref. No.	Part No.	Part Name	No. Req.	Ref. No.	Part No.	Part Name	No. Req.
	802232	Crowder Wheel Kit	1	9	072651	Arm Pivot	2
		Consists of:			655018	Cotter Pin 3/16 x 1-1/4	2
1	D932A	Washer	2		655022	Cotter Pin 3/16 x 1-3/4	2
2	B11162B	Washer	2		(2) 3/4NF SN		
3	064415	Dust Cap	2	10	072655	Pivot Tube	2
4	071858	Hairpin Cotter Pin	2		570014	Grease Fitting	2
5	072627	Rubber Wheel Backup	2		650490	HHCS 3/8 x 1	4
6	072641	Wheel Hub - Assembled	2		(4) 3/8 HN - (4) LW		
	650692	HHCS 5/16 x 1-3/4	12	11	072658	Support Bracket	2
	(12) 5/16 HLN				650490	HHCS 3/8 x 1	4
7	072645	Right Wheel Support	1		(4) 3/8 HN - (4) LW		
	650491	HHCS 3/8 x 1-1/4	2	12	072659	Spacer	2
	(2) 3/8 HN - (2) LW - (4) PW			13	072660	Spring Washer	2
8	072650	Left Wheel Support	1	14	073234	Crowder Wheel	2
	650491	HHCS 3/8 x 1-1/4	2	15	520064	Ball Bearing	4
	(2) 3/8 HN - (2) LW - (4) PW						

IMPORTANT: Order by Part Number - DO NOT use Illustration Reference Numbers.

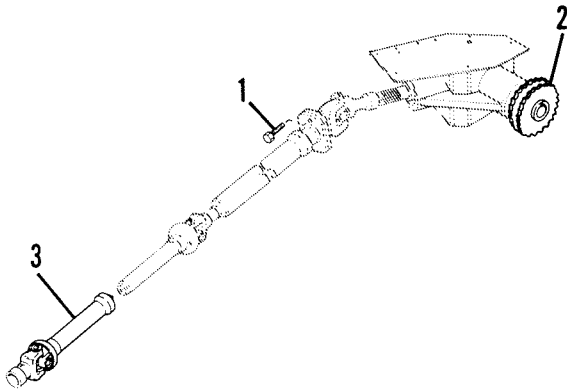
068042 LIGHT CROP HOLD-DOWN KIT



Ref. No.	Part No.	Part Name	No. Req.	
	068042	Light Crop Hold-down Kit	1	
		Consists of:		
1	043616	Spacer	5	
	650568	HHCS 5/16 x 2	5	
	(5) 5/16 HLN			
2	058705	Strap	2	
	650426	HHCS 1/4 x 1-1/4	4	
	(4) 1/4 HN - (4) LW			
3	067157	Stop	2	
4	067159	Outside Tine	2	
5	067160	Outside Tine Clamp	2	
	650545	HHCS 5/16 x 1-1/4	2	
	(2) 5/16 HLN			
6	067162	Outside Tine Spacer	2	
	650577	HHCS 5/16 x 1-1/2	2	
	(2) 5/16 HLN			
	7	067163	Light Crop Tine	5
	8	067165	Clamp	10
		650568	HHCS 5/16 x 2	10
		(10) 5/16 HLN		

RB1850 - OPTIONS & ACCESSORIES

801552 1000 RPM CONVERSION KIT

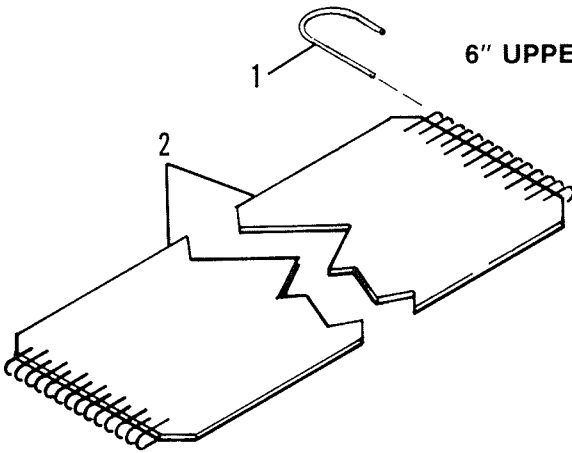


Ref. No.	Part No.	Part Name	No. Req.
	801552	1000 RPM Conversion Kit.....	1
Consists of:			
1	066285A	Shear Bolt 5/16 x 1-1/2 Grade 2 (7) 5/16 HLN	7
2	067170	Double Sprocket (14/14T)	1
3	067173B	Universal Joint w/Spline Shaft - Assembled	1

A For Replacement Shear Bolts, order Kit #902261 (containing 8 Bolts).

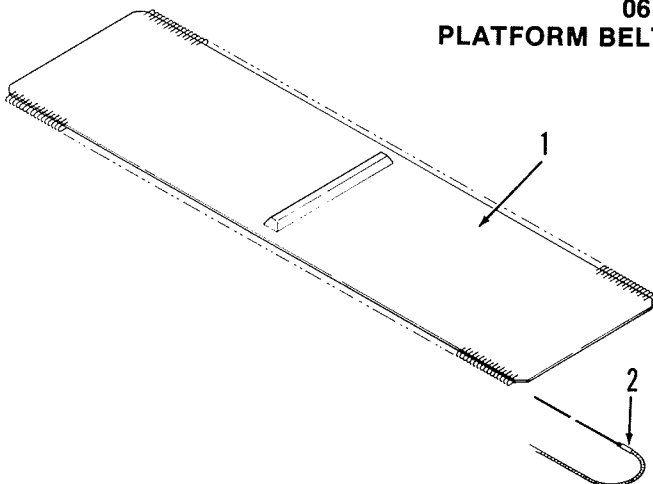
B For service, see pages titled Universal Drives.

072042 6" UPPER DUTCHMAN KIT



Ref. No.	Part No.	Part Name	No. Req.
	072042	6" Upper Belt Dutchman Kit	1
Consists of:			
1	059803	6" Belt Pin.....	1
2	072043	6" Dutchman Belt	1

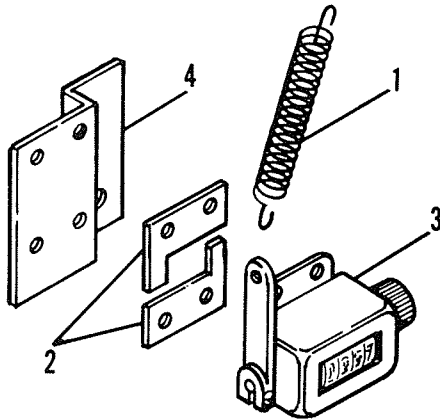
061253 PLATFORM BELT DUTCHMAN KIT



Ref. No.	Part No.	Part Name	No. Req.
	061253	Platform Belt Dutchman Kit	1
Consists of:			
1	061254	Belt Dutchman.....	1
2	066550	72" Platform Belt Lacing Pin Kit	2

ALWAYS GIVE MODEL AND SERIAL NUMBER WHEN ORDERING SERVICE PARTS

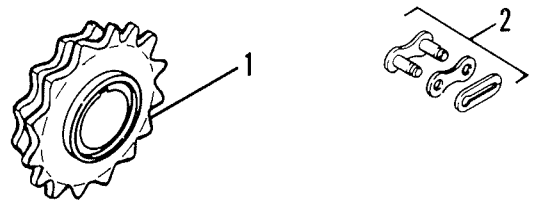
801782 BALE COUNTER KIT



Ref. No.	Part No.	Part Name	No. Req.
801782		Bale Counter Kit	1
Consists of:			
1	17H387	Spring	1
	650426	HHCS 1/4 x 1-1/4	1
		(1) 1/4 HN	
	650618A	HWHSTS 5/16 x 5/8	1
2	066764	Bracket	2
	650618A	HWHSTS 5/16 x 5/8	4
3	066765	Counter	1
4	068210A	Counter Base	1

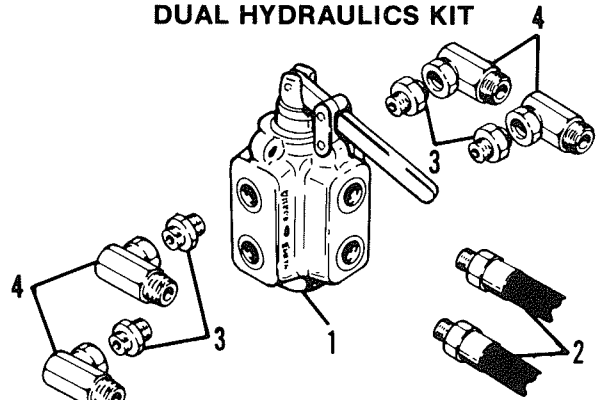
A Not used on RB1850 Baler.

**066780 SLOW-DOWN SPROCKET KIT
(Only For Units Before Serial #11510)**



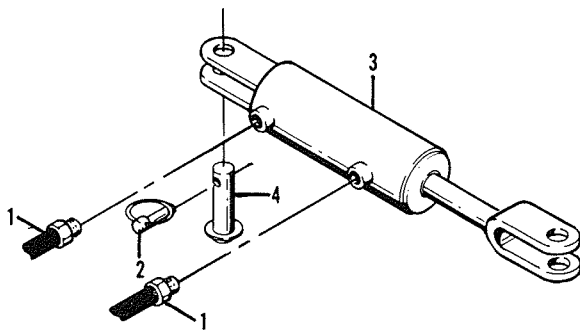
Ref. No.	Part No.	Part Name	No. Req.
066780		Slow-down Sprocket Kit	1
Consists of:			
1	067166	Sprocket (21T)	1
2	500160	Plain Coupler (#60)	2

**801087
DUAL HYDRAULICS KIT**



Ref. No.	Part No.	Part Name	No. Req.
801087		Dual Hydraulics Kit	1
Consists of:			
1	060597	Double Selector Valve	1
	650818	HHCS 3/8 x 3	2
		(2) 3/8 HN - (3) LW	
2	060598	Hose	2
3	060599	Pipe Nipple - 3/4 Hex.	4
4	060600	Pipe Union	4

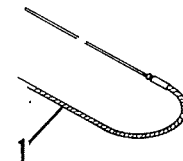
801088 - HYDRAULIC TWINE WRAPPING KIT



Ref. No.	Part No.	Part Name	No. Req.
801088		Hydraulic Twine Wrapping Kit ...	1
Consists of:			
1	059539	Hose - 3/8 x 120"	2
2	060471	Klik Pin	1
3	060626A	Hydraulic Cylinder - 8" Stroke - 3" Bore.	1
4	060629	Attachment Pin	1

A For Seal Kit, specify Part #060627.

**901751
72" PLATFORM BELT LACING PIN KIT**



Ref. No.	Part No.	Part Name	No. Req.
901751		72" Platform Belt Lacing Pin Kit .	1
Consists of:			
1	058399	72" Platform Belt Lacing Pin.	1

RB1850 - OPTIONS & ACCESSORIES

**801086
RE-LACING KIT**

Ref. No.	Part No.	Part Name	No. Req.
	801086	Re-lacing Kit	1
		Consists of:	
1	058398	#4-1/2 Clipper Hook Card.....	6
2	059826	Vice Lacer	1
3	060345	Cable - 72"	1

**073390
LACING KIT**

Ref. No.	Part No.	Part Name	No. Req.
	073390	Lacing Kit	1
		Consists of:	
1	058398	#4-1/2 Clipper Hook.....	6
2	060345	Cable - 72"	1

IMPORTANT: Order by Part Number - DO NOT use Illustration Reference Numbers.

**075266
SCRAPER KIT**

Ref. No.	Part No.	Part Name	No. Req.
	075266	Scraper Kit	1
		Consists of:	
1	075267	Scraper	1
	650490	CS 3/8 x 1 (N,L)	4

**068633
PACKING ROLLER LAGGING KIT**

Ref. No.	Part No.	Part Name	No. Req.
	068633	Packing Roller Lagging Kit	1
		Consists of:	
1	068846	Rivet	36
2	068847	Lagging	2
3	068848	Strip Cover	4
4	068849	Drill Bit - 13/64 Dia.	1

ALWAYS GIVE MODEL AND SERIAL NUMBER WHEN ORDERING SERVICE PARTS

RB1850 - OPTIONS & ACCESSORIES

802423
AUDIBLE BALE SIZE INDICATOR KIT

Ref. No.	Part No.	Part Name	No. Req.
	802423	Audible Bale Size Indicator Kit....	1
Consists of:			
1	074428	Switch & Magnet Assemblies	1
	650327	RHMS #6-32 x 3/4 (8N,P).....	4
2	074422	Switch Mount	1
	650486	CS 5/16 x 3/4	1
3	074419	Magnet Base.....	1
	650491	CS 3/8 x 1-1/4 (N,L,P)	2
4	058615	Clamp	3
5	074429	2-Pole Connector w/300" of #8 AWG Wire	1
6	074426A	Audible Bale Size Indicator	1

A Powered by one 9-volt D.C. Alkaline Transistor Radio-type Battery (Purchased Locally).

IMPORTANT: Order by Part Number - DO NOT use Illustration Reference Numbers.

075833
ROCK GUARD KIT

Ref. No.	Part No.	Part Name	No. Req.
	075833	Rock Guard Kit.....	1
Consists of:			
1	075869	Rock Guard	2

RB1850 - NUMERICAL INDEX

Part No.	Page No.	Ref. No.	Part No.	Page No.	Ref. No.	Part No.	Page No.	Ref. No.	Part No.	Page No.	Ref. No.
7K73	25	1	043192	4	3	056773	25	13	059574	29	11
6H130	27	1	043314	13	22	057122	5	6	059576	9	12
C133	14	1	043616	35	1	057146	5	7	059579	30	4
9H240	19	1	044116	4	4	057179	16	8	059580	30	5
9H240	25	2	044116	13	4	057179	23	4	059581	30	6
H267A	25	3	045327	30	1	057185	15	1	059650	23	7
17H281	11	1	045327	31	1	057350	19	14	059651	23	8
9H300	7	1	045582	7	2	057351	19	15	059692	5	11
9H300	14	2	045882	30	2	057388	5	8	059692	9	13
9H300	16	1	045883	30	3	057422	13	8	059694	5	12
17H349	19	2	045998	7	3	057512	11	10	059708	13	19
17H387	37	1	046000	7	4	057617	19	16	059720	16	10
H487	27	2	046001	7	5	057778	33	1	059721	13	6
D932A	9	2	046754	9	6	057779	33	2	059723	13	17
D932A	35	1	047028	14	5	057781	33	3	059729	9	14
H6053B	4	1	047269	27	6	057911	7	7	059731	9	15
H6094	9	3	047956	14	6	057919	13	24	059734	9	16
H6094	28	1	048459	19	7	057920	13	10	059754	9	17
H6172	9	4	049038	9	37	057945	5	9	059756	9	18
H7125	11	2	050000			057958	21	8	059757	9	19
H7165	16	2	051250	25	8	057960	21	9	059765	9	20
H7812	19	3	051525	16	5	057965	23	5	059766	9	21
H8054	9	5	051525	21	6	057967	23	6	059776	7	9
H8334	11	3	051525	23	3	057980	16	9	059777	7	10
H8334	23	1	052205	19	8	058326	5	10	059794	13	1
H8334	27	3	052588	5	5	058398	38	1	059799	13	3
H8354	11	4	053342	25	9	058398	38	1	059802	23	
D9128A	21	1	053688	11	8	058399	37	1	059803	36	1
D9130	19	4	053865	30	2	058421	7	8	059826	38	2
U10014B	11	5	053900	14	19	058489	19	17	060000		
U10014B	25	4	054161	29	1	058493	19	18	060295	9	22
U10014B	27	4	054353	19	9	058539	14	8	060302	13	16
U10063	14	3	054959	13	2	058613	25	14	060345	23	
B10069	13	7	055098	19	10	058615	39	4	060345	38	2
B11090	14	4	055142	16	6	058705	35	2	060345	38	3
B11090	21	2	055354	1	3	058807	11	11	060375	33	3
B11162B	19	5	055354	31	2	059052	33	1	060376	33	9
B1162B	25	5	055355	30	4	059053	33	2	060387	5	13
B11162B	35	2	055356	30	5	059055	33	4	060471	37	2
B11343	25	6	055356	31	3	059059	33	5	060515	29	12
11433A	16	3	055358	30	6	059064	33	6	060516	29	13
M12234	21	3	055358	31	4	059113	28	2	060597	37	1
M12361	13	9	055447	19	11	059272	9	11	060598	37	2
C14061A	15	28	055458	19	12	059299	33	7	060599	37	3
C14084	21	24	055682	32	4	059321	33	8	060600	37	4
C14121	19	6	055690	9	7	059424	25	15	060626	37	3
S16215	21	4	055691	9	8	059539	28	3	060627	37	
S16215	23	2	055692	9	9	059539	37	1	060629	37	4
040000			055896	25	10	059554	29	2	060972	33	10
040860	4	2	056080	25	11	059562	29	3	060979	9	23
048060	7	2	056081	25	12	059563	29	4	061006	9	24
041155	16	4	056145	14	7	059564	29	5	061052	13	20
041499	21	5	056211	9	10	059565	29	6	061055	13	25
041499	27	5	056249	11	9	059566	29	7	061058	33	4
041881	11	6	056336	16	7	059567	29	8	061059	33	5
042135	11	7	056344	21	7	059569	29	9	061060	33	6
042598	25	7	056345	19	13	059572	29	10	061061	33	7

RB1850 - NUMERICAL INDEX

Part No.	Page No.	Ref. No.	Part No.	Page No.	Ref. No.	Part No.	Page No.	Ref. No.	Part No.	Page No.	Ref. No.
061062	33	8	066193	21	14	066490	11	15	069796	5	19
061124	9	25	066195	21	16	066492	11	16	069797	15	5
061124	30	7	066197	21	17	066511	11	17	069826	5	20
061125	9	26	066203	5	14	066524	21	28	069830	5	21
061125	30	8	066204	21	18	066526	11	18	069832	13	5
061125	31	5	066205	21	19	066528	11	19	069846	19	35
061126	30	9	066208	21	20	066531	11	20	069847	19	35
061126	31	6	066210	21	21	066532	11	21	069847	19	36
061127	30	10	066218	21	22	066533	11	22	069850	19	37
061127	31	7	066219	21	23	066537	14	17	069853	21	32
061253	21		066221	21	24	066540	14	18			
061253	36		066222	21	25	066542	14	19	070000		
061254	36	1	066226	21	26	066543	14	20	070072	19	38
061276	32	1	066246	29	18	066545	19	30	070589	7	18
061341	32	2	066252	29	19	066550	36	2	070591	28	16
061342	32	3	066253	29	20	066551	28		070592	21	12
061509	16	11	066260	28	4	066554	30	9	070593	21	13
061509	21	10	066284	30	8	066555	30	10	070595	28	17
061509	23	9	066285	9	27	066651	7	19	070598	15	6
061529	14	9	066285	30	7	066764	37	2	070599	21	33
061529	19	19	066285	36	1	066765	37	3	070600	23	15
061529	25	16	066309	23	14	066780	37		070602	23	16
061700	9	27	066309	27	8	067157	35	3	070603	16	17
061700	30	7	066350	27	9	067159	35	4	070604	19	39
061708	13	18	066351	27	10	067160	35	5	070605	14	22
061711	16	12	066364	27	11	067162	35	6	070607	16	18
061809	21	11	066365	27	12	067163	35	7	070609	25	21
062102	19	20	066369	27	13	067165	35	8	070610	25	22
062871	25	17	066375	5	15	067166	29	18	070611	25	23
063586	15	2	066376	27	14	067166	37	1	070612	25	24
063592	33	9	066377	27	15	067170	29	21	070613	13	12
064389	15	3	066383	28	5	067170	36	2	070614	23	17
064415	35	3	066385	28	6	067173	9	25	070615	23	18
064669	25	18	066386	19	21	067173	31	8	070616	23	19
065663	25	19	066392	19	22	067173	36	3	070617	23	20
065674	9	28	066393	19	23	067458	25	20	070617	27	16
065679	14	10	066396	9	30	067491	28	14	070619	25	25
065680	14	11	066398	19	21	067516	11	23	070620	25	26
065703	14	12	066402	19	25	067879	14	21	070621	25	27
065708	14	13	066409	19	26	067880	28	15	070623	23	21
065714	14	14	066412	21	27	068042	35		070625	25	28
065715	14	15	066413	19	27	068210	37	4	070626	25	29
065718	14	16	066417	19	28	068633	38		070627	25	30
065721	9	29	066419	19	29	068734	21	29	070628	25	31
065728	29	14	066424	28	7	068846	38	1	070630	25	32
065729	29	15	066426	28	8	068847	38	2	070631	25	33
065730	29	16	066427	28	9	068848	38	3	070633	25	34
065731	29	17	066429	28	10	068849	38	4	070636	13	26
066160	16	13	066431	28	11	068921	19	31	070637	15	7
066172	16	14	066432	28	12	069084	19	31	070638	25	35
066173	16	15	066452	28	13	069255	33		070639	19	40
066174	16	16	066456	5	16	069257	33		070641	21	31
066178	23	10	066462	5	17	069531	11	24	070643	16	19
066181	23	11	066480	11	12	069792	19	32	070644	25	36
066181	27	7	066487	11	13	069793	19	33	070645	27	17
066182	23	12	066487	15	4	069794	19	34	070646	21	30
066183	23	13	066489	11	14	069795	5	18	070652	5	22
									070673	5	23

RB1850 - NUMERICAL INDEX

Part No.	Page No.	Ref. No.	Part No.	Page No.	Ref. No.	Part No.	Page No.	Ref. No.	Part No.	Page No.	Ref. No.
070682	15	8	070821	27	20	071631	11	37	073221	5	12
070691	15	9	070824	27	21	071635	11	38	073222	5	21
070692	5	24	070829	27	22	071637	11	39	073224	13	5
070694	5	25	070831	27	23	071638	11	40	073229	13	1
070695	5	26	070833	27	24	071643	11	41	073234	35	14
070697	5	27	070834	27	25	071645	11	42	073387	21	18
070700	16	20	070835	27	26	071646	11	41	073389	21	19
070701	16	21	070840	13	15	071647	11	44	073390	38	
070702	23	22	070842	13	27	071648	21	37	073846	21	44
070703	23	23	070845	13	28	071648	21	37	073847	5	18
070705	23	24	070846	13	29	071650	21	38	074027	19	20
070708	23	25	070847	5	31	071660	16	24	074028	19	28
070710	23	26	070848	5	32	071723	25		074029	19	43
070714	9	31	070850	5	33	071731	5	37	074102	21	
070714	29		070852	5	34	071739	25	53	074239	21	15
070715	15	10	070853	5	35	071741	25	54	074408	16	4
070717	15	11	070854	5	36	071747	25	55	074419	39	3
070720	9	32	070870	19	45	071756	7	18	074422	39	2
070721	16	22	070875	7	11	071759	7	19	074426	39	6
070730	16	23	070877	7	12	071858	35	4	074428	39	1
070736	19	41	070878	7	13	071883	15	25	074429	39	5
070738	21	34	070879	7	14	071884	14	23	074503	13	17
070740	21	35	070880	7	15	071886	14	24	074667	21	17
070742	21	36	071048	11	25	071999	19	48	074669	21	34
070747	19	42	071099	33	10	072022	21	39	074694	9	31
070748	19	43	071100	33	11	072032	7	20	074694	29	
070749	19	44	071101	33	12	072033	7	21	074727	21	30
070750	27	18	071102	33	13	072035	7	22	074890	19	
070752	25	37	071102	33	15	072042	36		075266	38	
070754	5	29	071103	33	14	072043	36	2	075267	21	41
070757	25	38	071104	33	15	072046	27	28	075267	38	1
070758	25	39	071117	7	16	072069	19	49	075412	19	
070765	25	40	071117	32		072168	25	56	075689	19	29
070767	25	41	071156	25	51	072171	25	57	075833	39	
070768	25	42	071271	32	5	072172	25	58	075869	39	1
070769	25	43	071290	19	46	072174	21	40			
070775	25	44	071396	19	47	072478	7	23	500057	19	39
070777	25	45	071415	25	52	072554	11	45	500058	19	39
070778	25	46	071417	25	60	072557	11	46	500160	19	12
070779	25	47	071509	15	23	072624	7	24	500160	19	30
070787	25	48	071512	15	24	072627	35	5	500160	19	31
070788	25	49	071518	13	11	072641	35		500160	37	2
070789	25	50	071520	7	17	072645	35	7	500161	19	31
070790	5	30	071520	9	1	072650	35	8	510023	30	11
070791	15	12	071520	13	21	072651	35	9	510023	31	9
070792	15	13	071520	27	27	072655	35	10	510100	30	12
070795	15	14	071596	11	26	072658	35	11	510100	31	10
070796	15	15	071601	11	27	072659	35	12	510215	30	13
070797	15	16	071605	11	28	072660	35	13	510215	31	11
070798	15	17	071606	11	29	072855	25		510226	31	12
070799	15	18	071607	11	30	072938	23	27	510227	31	13
070804	15	19	071608	11	31	072939	23	28	510228	31	14
070805	15	20	071609	11	32	072940	23	29	510229	31	15
070806	15	21	071610	11	33	072943	23	30	510233	31	16
070810	15	22	071620	11	34	073171	13	14	520000	29	22
070811	28	18	071626	11	35	073172	5	38	520054	7	7
070813	27	19	071627	11	36	073218	5	20	520054	7	25




500000

RB1850 - NUMERICAL INDEX

Part No.	Page No.	Ref. No.	Part No.	Page No.	Ref. No.
520065	11	47	900015	30	
520062	15	26	900091	13	
520064	35	15	900415	21	
520065	23	31	901733	23	
520065	27	29	901751	37	
520066	9	33	902261	9	
520084	15	27	902261	30	
520085	11	48	902261	36	
520085	23	32			
520085	27	30			
520090	23	33			
520093	21	42			
520093	23	34			
520093	27	31			
520135	9	34			
520136	9	35			
520139	5	28			
520158	21	43			
520158	23	35			
520175	11	49			
520199	7	7			
520199	7	26			
520200	7	27			
520201	7	6			
520210	13	13			
540020	25	59			
570002	14	10			
570002	21	19			
570003	21	11			
570003	21	18			
570005	5	29			
570009	11	22			
570009	27	19			
570009	27	20			
570014	30	1			
570014	31	11			
570014	35	10			
570016	9	31			
570016	29	15			
570019	15	8			
570019	19	1			
570019	21	34			
570019	25	2			
570019	25	39			
570019	27	17			
600000					
660004	29	2			
666002	9	36			
800000					
801087	37				
801088	37				
801552	36				
801782	37				
802232	35				
802423	39				
900000					
900015	9				

NOTES

TORQUE SPECIFICATIONS FOR STANDARD MACHINE HARDWARE

SIZE	SAE GRADE #2 		SAE GRADE #5 		SAE GRADE #8 	
	DRY	LUB.	DRY	LUB.	DRY	LUB.
8 - 32	19 In. Lbs.	14 In. Lbs.	30 In. Lbs.	22 In. Lbs.	41 In. Lbs.	31 In. Lbs.
8 - 36	20 "	15 "	31 "	23 "	43 "	32 "
10 - 24	27 "	21 "	43 "	32 "	60 "	45 "
10 - 32	31 "	23 "	49 "	36 "	68 "	51 "
1/4 - 20	66 "	50 "	9 Ft. Lbs.	75 "	12 Ft. Lbs.	9 Ft. Lbs.
1/4 - 28	76 "	56 "	10 "	86 "	14 "	10 "
5/16 - 18	11 Ft. Lbs.	9 Ft. Lbs.	17 "	13 Ft. Lbs.	25 "	18 "
5/16 - 24	12 "	9 "	19 "	14 "	25 "	20 "
3/8 - 16	20 "	15 "	30 "	23 "	45 "	35 "
3/8 - 24	23 "	17 "	35 "	25 "	50 "	35 "
7/16 - 14	32 "	24 "	50 "	35 "	70 "	55 "
7/16 - 20	36 "	27 "	55 "	40 "	80 "	60 "
1/2 - 13	50 "	35 "	75 "	55 "	110 "	80 "
1/2 - 20	55 "	40 "	90 "	65 "	120 "	90 "
9/16 - 12	70 "	55 "	110 "	80 "	150 "	110 "
9/16 - 18	80 "	60 "	120 "	90 "	170 "	130 "
5/8 - 11	100 "	75 "	150 "	110 "	220 "	170 "
5/8 - 18	110 "	85 "	180 "	130 "	240 "	180 "
3/4 - 10	175 "	130 "	260 "	200 "	380 "	280 "
3/4 - 16	200 "	150 "	300 "	220 "	420 "	320 "
7/8 - 9	170 "	125 "	430 "	320 "	600 "	460 "
7/8 - 14	180 "	140 "	470 "	360 "	660 "	500 "
1 - 8	250 "	190 "	640 "	480 "	900 "	680 "
1 - 12	270 "	210 "	710 "	530 "	1000 "	740 "

Multiply In. Lbs. by (0.113) or Ft. Lbs. by (1.355) for metric Nm

NOTE: These torque values are to be used for all GEHL hardware excluding: locknuts, self-tapping screws, thread forming screws, and sheet metal screws. Unless otherwise noted, all torque values must meet this specification.

Attaching Hardware Table

Size & Description	Part Number	Size & Description	Part Number	Size & Description	Part Number	Size & Description	Part Number
#10-24N	650550	5/16LN	071701	1/2N	653018	5/8P	654012
#10L	650549	5/16NILN	064260	1/2JN	653044	3/4N	653026
#12-24N	650627	5/16L	654024	1/2LN	071706	3/4SN	650817
#12L	650813	5/16P	654004	1/2NILN	068034	3/4L	654034
1/4N	653005	3/8N	653010	1/2L	654030	3/4P	654014
1/4LN	071700	3/8LN	071703	1/2P	654009	1"JN	650820
1/4L	654022	3/8NILN	067847	5/8N	653021	1"NF-NILN	066777
1/4P	654002	3/8L	654026	5/8LN	071709	1"P	654016
5/16N	653007	3/8P	654006	5/8L	654032		

GEHL®

FARM EQUIPMENT

GEHL COMPANY WEST BEND, WISCONSIN 53095 U.S.A.