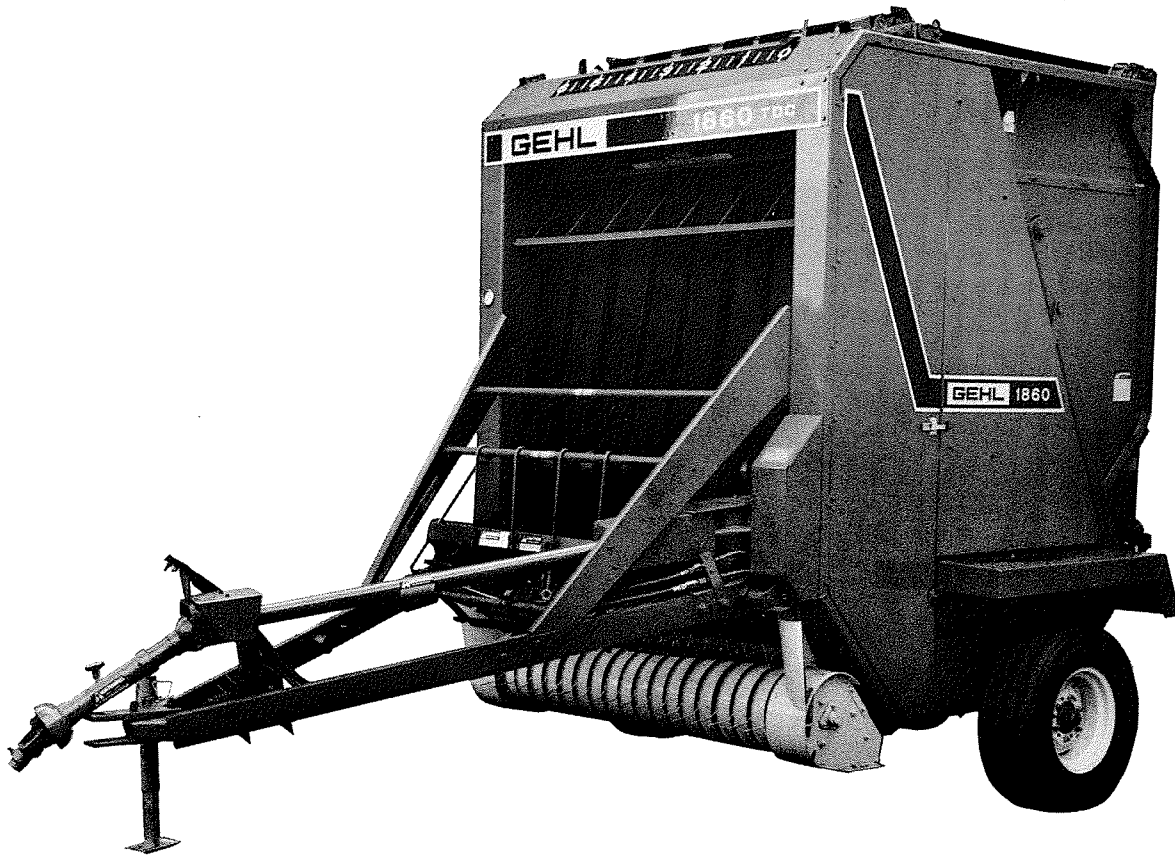


# RB 1860

## Round Baler

Form No.  
903416



# SERVICE PARTS MANUAL

GEHL<sup>®</sup> COMPANY

**Mr. Dealer:**

When ordering service parts, specify the correct part number, full description, quantity required, the unit model number and serial number.

Numbers for this unit are on a decal located under the Top Channel, near the Center Column of the Left Frame Assembly.

“Right” and “Left” are determined from a position standing at rear of the unit facing the direction of travel. From this position, the Universal Drive and Transmission are on the left side.

**GEHL** Company reserves the right to make changes or improvements in the design or construction of any part of the unit without incurring the obligation to install such changes on any unit previously delivered.

**NOTE:** On original Tire replacement, Company policy prohibits the sale of replacement tires for all original **GEHL** machinery. Replacement Wheel Sets are available and tire size information is called-out with the Wheel Sets to facilitate replacement tire selection. **ALL REPLACEMENT TIRES MUST BE PURCHASED LOCALLY.**

Grease fittings and common attaching hardware, such as Cotter Pins, Set Screws, Woodruff Keys, Screws, Nuts, etc., are included in the parts lists, indented below the part it is (they are) associated with, but **NOT** illustrated, except where a particular routing or special fastening arrangement **MUST** be maintained. The hardware listed is for mounting purposes and is **NOT** included when the part is ordered for replacement. Refer to the abbreviations table for the various fastener descriptions. For the part number of related fasteners, refer to the Attaching Hardware Table, located on the Inside Back Cover. Standard attaching hardware torque values are also provided on the same page.

Unless otherwise specified, all Cap Screws or Bolts are Grade 5, cadmium or zinc plated; Hexagon Nuts for Grade 5 Cap Screws or Bolts are Grade B; Hexagon Nuts for other Cap Screws or Bolts are Grade A.

The following abbreviations are used in this manual:

CB	- Carriage Bolt
HTB	- Hexagon Tap Bolt
CS (HHCS)	- Cap Screw (Hexagon Head)
FHMS	- Flat Head Machine Screw
RHMS	- Round Head Machine Screw
RHSMS	- Round Head Sheet Metal Screw
SHSS	- Socket Head Set Screw
STS	- Self-threading Screw (Hexagon Washer Head)
THMS (STHMS)	- Truss Head Machine Screw (Slotted)
CN	- Castellated Nut
JN (HJN)	- Jam Nut (Hexagon)
LN (HLN)	- Lock Nut (Hexagon)
N (HN)	- Nut (Hexagon)
NILN	- Nylon-insert Lock Nut
SN	- Slotted Nut
L (LW)	- Lock (Washer)
P (PW)	- Plain (Washer)
AWG	- American Wire Gage
Dia.	- Diameter
mm	- millimeter
NF	- National Fine (Thread)
NPTF	- National Pipe Threaded Fitting
PSI	- Pounds per Square Inch
PTO	- Power Take Off
RPM	- Revolutions Per Minute
SL	- Self-locking (Thread)
SMV	- Slow-moving Vehicle
SQ	- Square
T	- Tooth
VAC	- Vacuum
w/	- with

# TABLE OF CONTENTS

	<b>Page</b>
Introduction .....	Inside Front Cover
Table of Contents .....	I
Decal Locations .....	2-3
Frame, Fenders & Twinebox .....	4-5
Drawbar, Axles & Ramps .....	6-7
Implement Drive Line Shields & Covers .....	8
Pickup Lift & Overfill Clutch .....	9
Pickup .....	10-11
Bale Starter & Scraper .....	12
Crossframe, Twine Tubes & Cutoff .....	13
Sprocket & Roller Part Number Guide .....	14
Shuttle & Bale Size Indicator .....	15
Roller Drives .....	16-17
Upper Belts, Rollers & Related Components .....	18-19
Lower Rollers .....	20
Gate Hydraulics .....	21
Rear Gate .....	22-23
Total Density Control .....	24-25
Universal Drives .....	26-27
Transmission .....	28
Hitchjacks .....	29
Options & Accessories .....	30-39
Electric Twine Wrapping Kit .....	30-31
Control Box & Wiring Diagram .....	30
Electric Actuators .....	31
Auto-Electric Twine Wrapping System .....	32-34
Wiring Diagram .....	33
Auto-Electric Actuator .....	33
Horn & Indicator Control Box .....	34
Flow Control Valve .....	34
Audible Bale Size Indicator Kit .....	35
Crowder Wheel Kit .....	36-37
1000 RPM Conversion Kit .....	37
6" Upper Belt Dutchman .....	37
Re-lacing Kit .....	38
Lacing Kit .....	38
Packing Roller Lagging Kit .....	38
Bale Counter Kit .....	39
Dual Hydraulics Kit .....	39
Hydraulic Twine Wrapping Kit .....	39
Numerical Index .....	40-43
Standard Hardware Torque Specifications .....	Inside Back Cover
Attaching Hardware Table .....	Inside Back Cover

# DECAL LOCATIONS

## GENERAL INFORMATION

Decal Locations information is provided to assist in the proper selection and application of new decals, in the event the original decal(s) become damaged or the machine is repainted. Refer to the listing for the illustration reference number, part number, description and quantity of each decal provided in the Kit. Refer to the appropriate illustration(s) for replacement location(s).

To insure proper selection of the correct replacement decals, compare all of the various closeup location photographs to your machine, before starting to refinish the unit. Then, circle each pictured decal (on or otherwise applicable to your machine) while checking-off its part number in the listing. After you have verified all the decals needed for replacement, place the extra unnecessary decals aside for disposal.

## NEW DECAL APPLICATION

Surfaces **MUST** be free from dirt, dust, grease and other foreign material before applying the new Decal. To apply, remove the smaller portion of the decal backing paper and apply this part of the exposed adhesive backing to the clean surface while maintaining proper position and alignment. Peel the other portion of the backing paper off slowly while applying hand pressure to smooth out Decal surface.



**CAUTION: Always Observe Safety Rules Shown on Decals. If Decals become damaged, or if unit is repainted, replace Decals. If repainting, BE SURE that all Decals from the Kit(s) which apply to your machine, are affixed to your unit.**

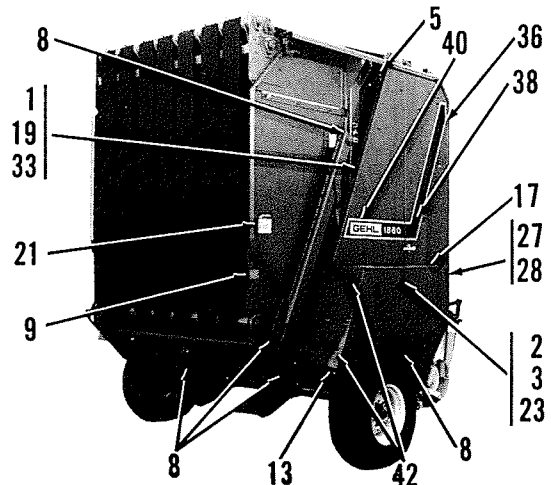
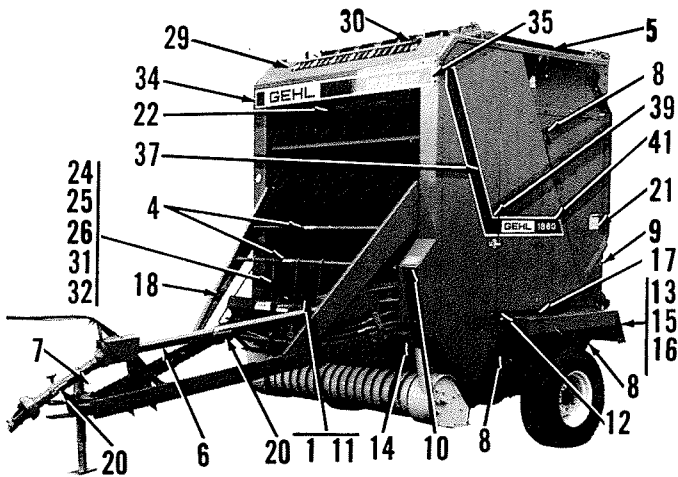
### NOTICE

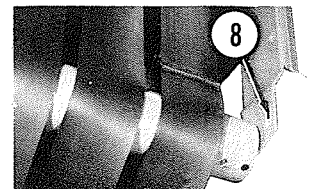
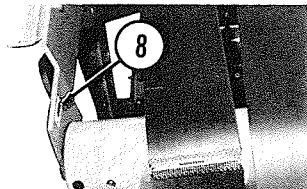
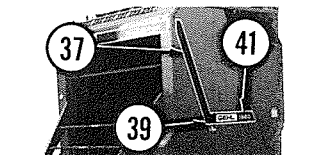
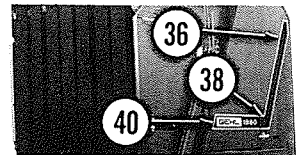
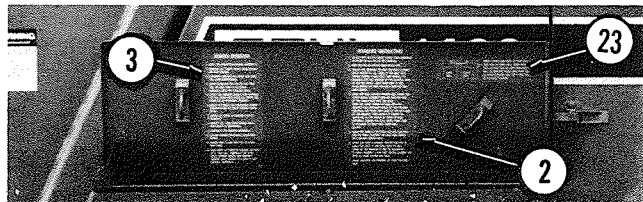
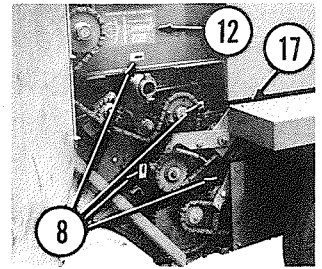
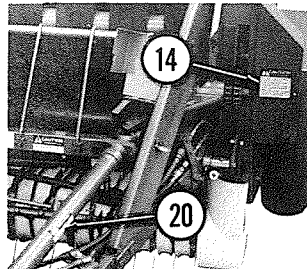
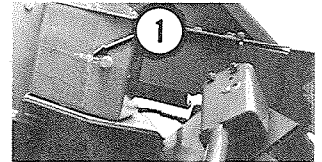
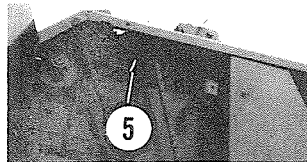
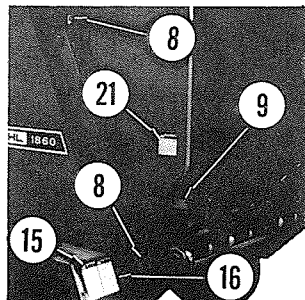
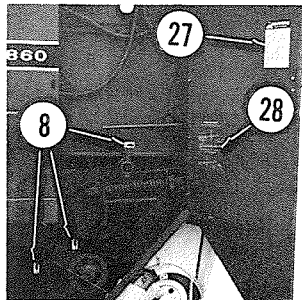
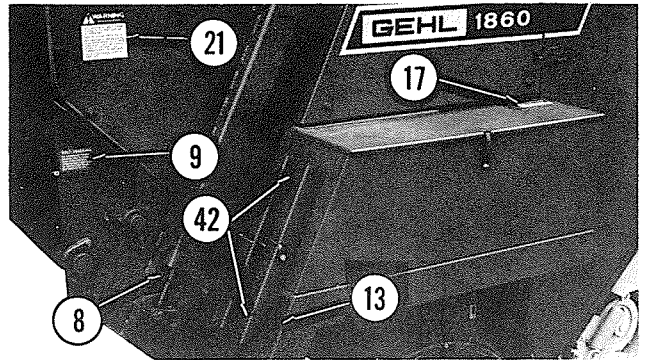
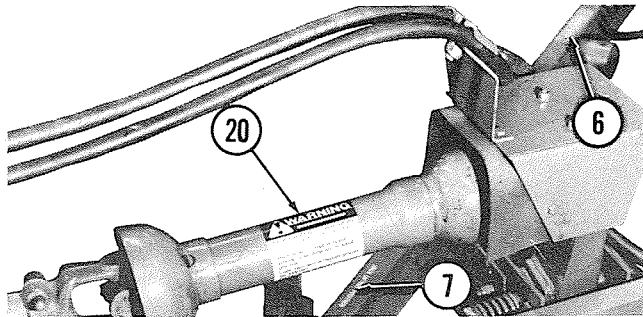
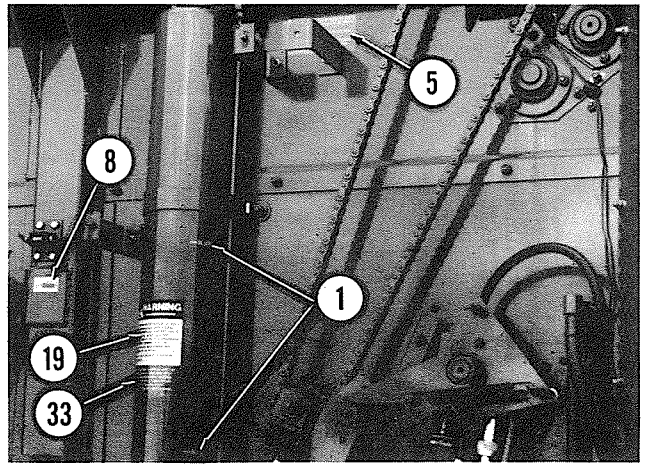
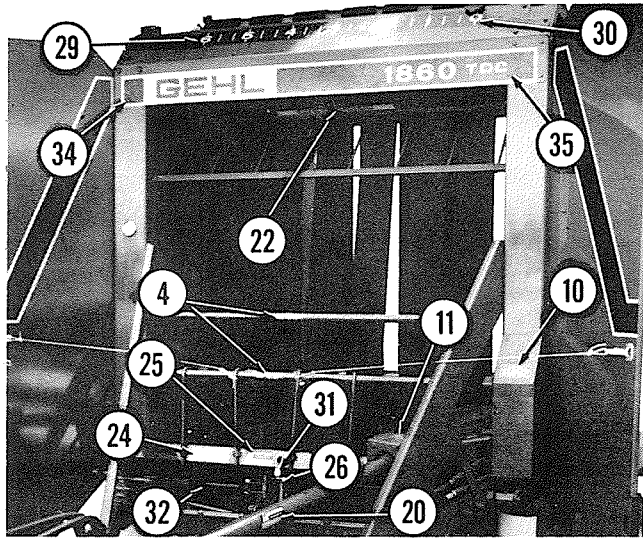
Order paint for refinishing machines from this list:

- 901225 One Gallon Blaze Paint
- 901226 One Gallon Maize Paint
- 610239 6 (12 oz.) Cans Blaze Spray Paint
- 610240 6 (12 oz.) Cans Maize Spray Paint

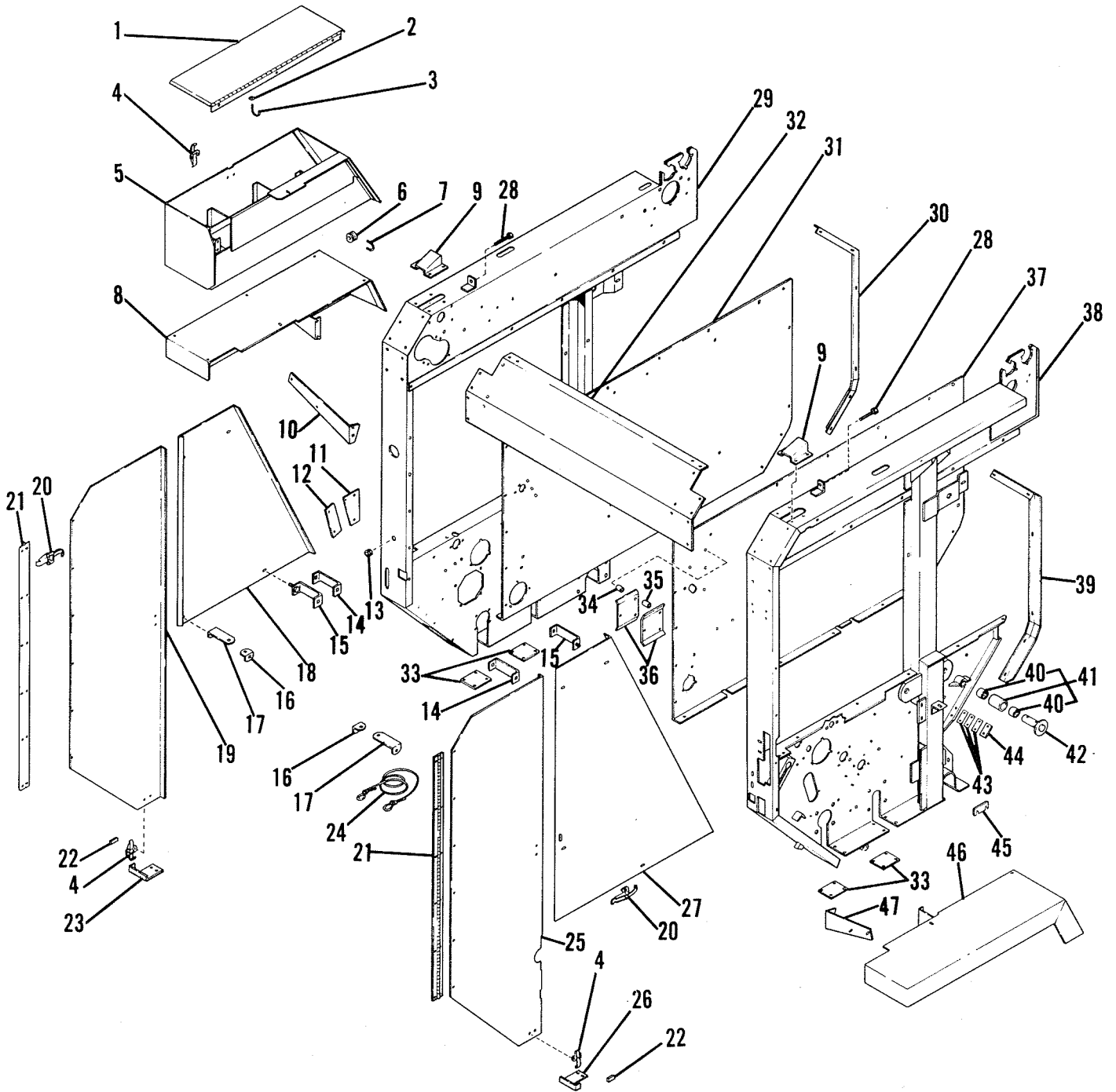
The Decal Set Number for the RB1860 is 076620. The Set includes the following:

Ref. No.	Part Number	Description & Quantity
1	060138	Decal - Oil Level Mark (3 Places)
2	060147	Decal - Operating Instructions
3	060148	Decal - General Operating Instructions
4	060150	Decal - NO Step (2 Places)
5	060151	Decal - Belt Tension (2 Places)
6	060510	Decal - Jack Storage Position
7	060511	Decal - Jack Lifting Position
8	061187	Decal - Grease Fitting Symbol (13 Places)
9	061832	Decal - Belt Tracking (2 Places)
10	065982	Decal - Check Roller Chain Idlers
11	067132	Decal - Shear Bolts
12	067135	Decal - Chain Idler Adjustment
13	067493	Red Reflector Strip (2 Places)
14	071711	CAUTION - Transmission 540 or 1000 RPM Operation
15	071712	CAUTION - General Safety
16	071713	CAUTION - Read Operator's Manual
17	071714	CAUTION - Keep Door Closed & NEVER Ride Machine (2 Places)
18	071715	WARNING - Disconnect PTO
19	071716	WARNING - Reservoir Contamination
20	071718	WARNING - Rotating Guard (2 Places)
21	071719	WARNING - Stay Clear of Gate (2 Places)
22	071935	WARNING - Moving Belts
23	073845	Decal - Spare Twine
24	075423	DANGER - NEVER Attempt to Hand-feed Material
25	075424	CAUTION - Restraint Bars
26	075472	Decal - Twine Tube Position Indicator
27	075496	WARNING - Belt Replacement
28	075527	Decal - Pickup Adjustment
29	075561	Decal - Bale Size Indicator -4-5-6
30	075562	Decal - Bale Size Indicator 1-2-3-
31	075563	Decal - Twine Tube Position Pointer
32	075652	Decal - Twine Replacement
33	075653	Decal - Reservoir Oil
34	076172	Decal - Decorative GEHL
35	076178	Decal - 1860 TDC
36	076179	Decal - Right Long Stripe
37	076180	Decal - Left Long Stripe
38	076181	Decal - Right Short Stripe
39	076182	Decal - Left Short Stripe
40	076183	Decal - 1860 for Right
41	076184	Decal - 1860 for Left
42	056076	Friction Surface Strip (2 Places)





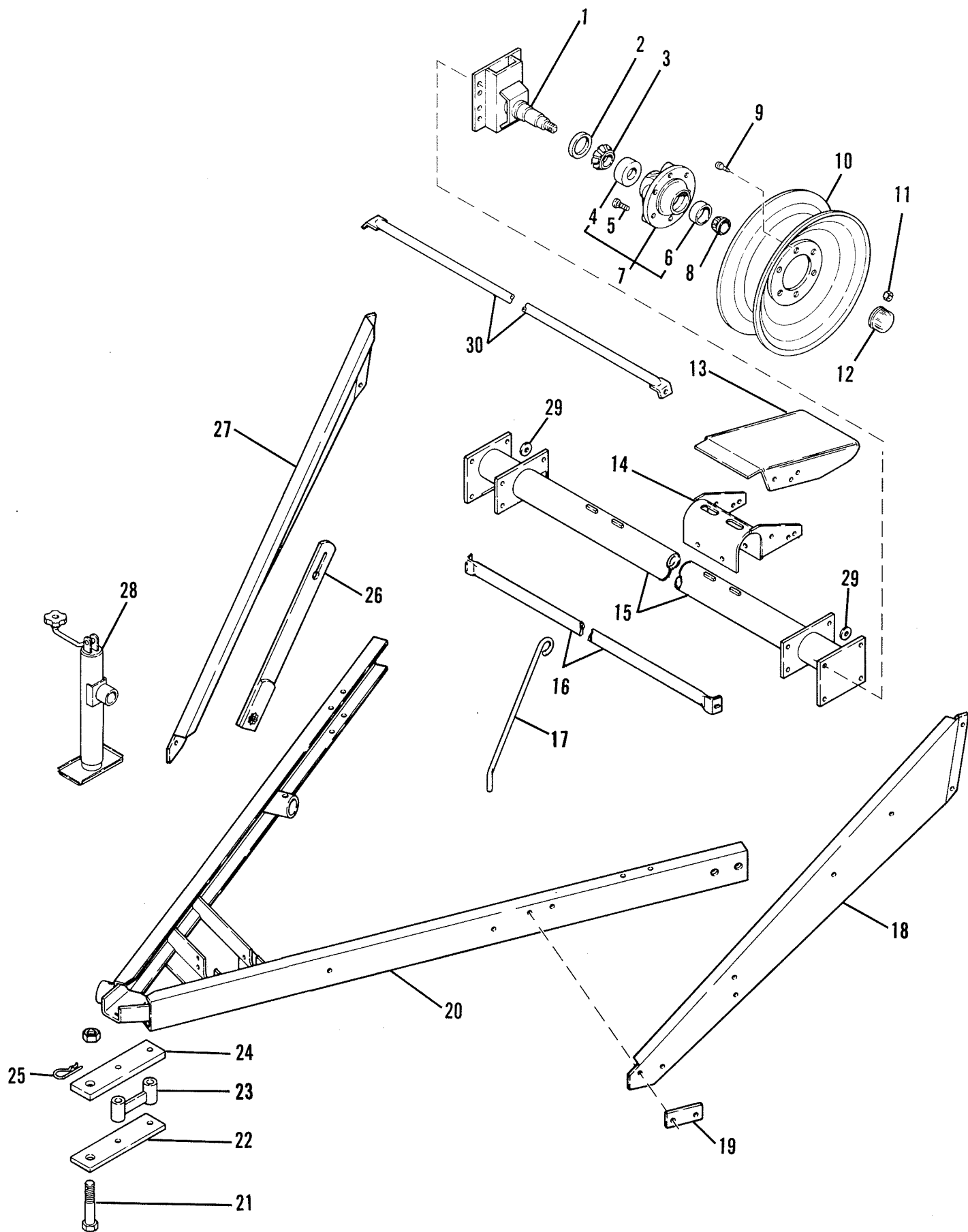
# RB1860 - FRAME, FENDERS & TWINEBOX



## RB1860 - FRAME, FENDERS & TWINEBOX

REF. NO.	PART NO.	PART NAME	NO. REQ.	REF. NO.	PART NO.	PART NAME	NO. REQ.
01	076538	TWINE BOX COVER.....	1	22	076691	RUBBER STRIP.....	2
	650486	CS 5/16X3/4 (N,L).....	3	23	076546	LATCH HOOK RIGHT BRACKET..	1
02	054959	SPRING WASHER.....	3		650487	CS 5/16X1 (N,L).....	2
03	059799	TWINE BOLT.....	3	24	060387	DOOR HOLDING CORD.....	2
		(6) 1/4LN		25	076561	LEFT GUARD.....	1
04	044116	LATCH.....	3		650486	CS 5/16X3/4 (N,L).....	
	650812	RHMS #12-24X1/2 (N,L)....	6	26	076547	LATCH HOOK LEFT BRACKET...	1
05	076531	TWINE BOX.....	1		650487	CS 5/16X3/4 (N,L).....	2
	650486	CS 5/16X3/4 (N,L).....	5	27	076562	STATIONARY LEFT GUARD.....	1
	650490	CS 3/8X1 (N,L,2P).....	1		650486	CS 5/16X3/4 (N,L,P).....	2
06	059721	ROPE GUIDE.....	1	28	062342	HTB 1/2X3-1/2.....	2
07	B11069	U-BOLT.....	1			(4)1/2 N	
		(2) 5/16LN		29	075627	RIGHT FRAME.....	1
08	076528	RIGHT FENDER.....	1	30	075622	GATE GUIDE RIGHT ANGLE....	1
	650790	CB 3/8X3/4 (N,L).....	2	31	070692	CENTER RIGHT SHEET.....	1
	650491	CS 3/8X1-1/4 (N,L,6P)....	3		650490	CS 3/8X1 (N,L).....	8
09	058326	CHAIN GUARD.....	2		650704	CB 3/8X1 (N,L,8P).....	12
	650490	CS 3/8X1 (N,L,2P).....	7	32	057146	PANEL.....	1
	650491	CS 3/8X1-1/4 (N,L,P)....	1		650490	CS 3/8X1 (N,L).....	14
10	066462	FENDER FRONT RIGHT BRACE..	1	33	075733	FRAME TIE.....	4
	650704	CB 3/8X1 (N,L).....	2		650490	CS 3/8X1 (N,L).....	16
11	075642	REAR COVER.....	1	34	H6053B	SPACER.....	3
	650754	CB 3/8X1 (LN).....	2	35	056378	SPACER.....	3
12	075641	FRONT COVER.....	1	36	057122	CHAIN GUIDE.....	2
	650754	CB 5/16X1/2 (LN).....	2		650731	CS 3/8X3-1/2 (N,L).....	3
13	070636	GROMMET.....	1	37	070695	CENTER LEFT SHEET.....	1
14	076541	STANDOFF (HINGED DOOR)....	5		650490	CS 3/8X1 (N,L).....	8
	650687	CB 5/16X3/4 (N,L).....	3		650704	CB 3/8X1 (N,L,8P).....	12
	650573	CB 5/16X1 (N,L).....	2	38	075629	LEFT FRAME.....	1
15	076540	STANDOFF (GUARD).....	3	39	075626	GUIDE LEFT GATE ANGLE....	1
	650687	CB 5/16X3/4 (N,L).....	3	40	520139	NEEDLE BEARING.....	4
		(3) 5/16 N,L,P		41	073172	GATE LATCH SLEEVE.....	2
16	076683	HINGE ANGLE.....	4	42	070754	PIN.....	2
	650487	CS 5/16X1 (NILN).....	4		570005	GREASE FITTING.....	
17	076684	HINGE ANGLE BASE.....	4	43	052588	SHIM.....	6
	650687	CB 5/16X3/4 (N,L).....	4	44	066375	GATE STOP.....	2
18	076563	STATIONARY RIGHT GUARD....	1		650362	FHMS 5/16X1-1/2 (N,L)....	4
	650486	CS 5/16X3/4 (N,L,P).....	3	45	059692	SHIM.....	2
19	076560	RIGHT GUARD.....	1		650573	CB 5/16X1 (N,L,P).....	2
	650486	CS 5/16X3/4 (N,L).....	6	46	076524	LEFT FENDER.....	1
20	054586	LATCH.....	2		650790	CB 3/8X3/4 (N,L).....	2
	650943	THMS 1/4X1/2 (N,L,P)....	4		650491	CS 3/8X1-1/4 (N,L,6P)....	3
21	057388	HINGE.....	2	47	075703	FENDER FRONT LEFT BRACE...	1
	650486	CS 5/16X3/4 (N,L,P).....	14		650490	CS 3/8X1 (N,L).....	2

# RB1860 - DRAWBAR, AXLES & RAMPS



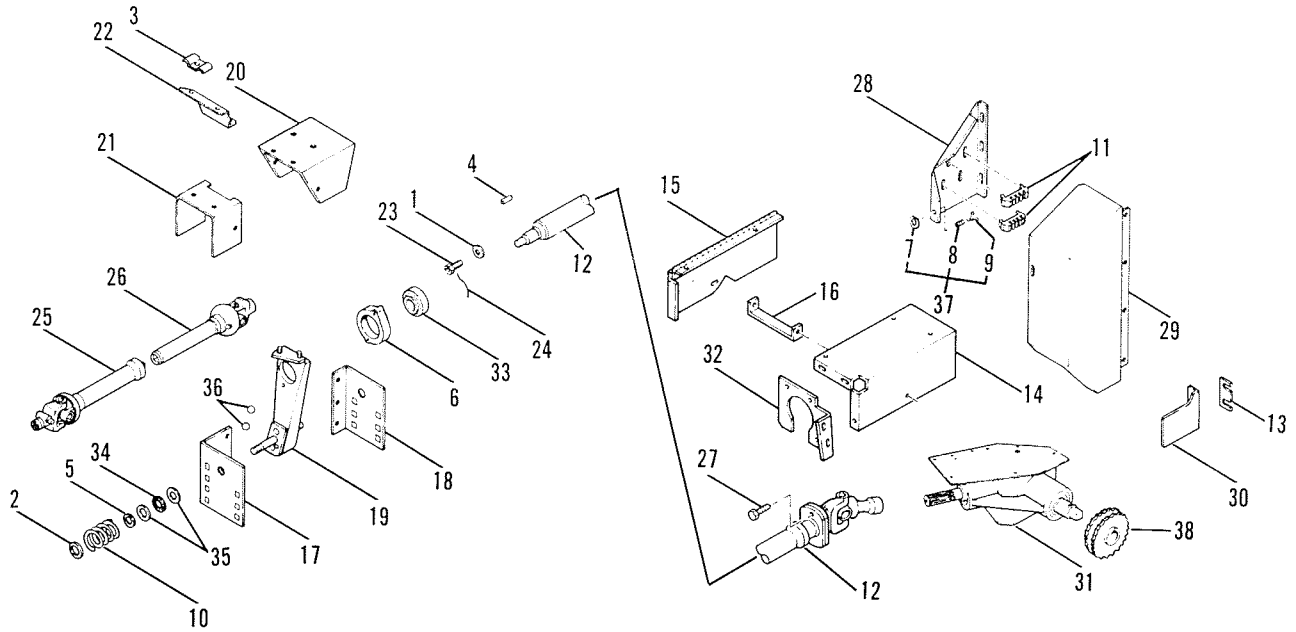


## RB1860 - DRAWBAR, AXLES & RAMPS

REF. NO.	PART NO.	PART NAME	NO. REQ.	REF. NO.	PART NO.	PART NAME	NO. REQ.
01	066651	ADJUSTABLE AXLE.....	2	17	075611	SAFETY TINE.....	4
	655020	COTTER PIN 3/16X1-1/2....	2	18	072035	LEFT BRACE.....	1
	650569	CS 1/2X1-3/4 (N,L).....	8		650490	CS 3/8X1 (NILN).....	2
		(2) 3/4NF-CN,P		19	072032	BRACE REINFORCEMENT PAD...	2
02	045998	GREASE SEAL.....	2		650453	CS 1/2X1-1/2 (NILN).....	4
03	520200	BEARING CONE.....	2	20	075359	DRAWBAR.....	1
04	520199	BEARING CUP.....	2		650649	CS 3/4X2 (N,L).....	3
05	046000	WHEEL BOLT.....	12	21	070880	HITCHPIN.....	1
06	520054	BEARING CUP.....	2			(1)1"N,P	
07	057911	WHEEL HUB-ASSEMBLED.....	2	22	070877	LOWER DRAWBAR CLIP.....	1
08	520201	BEARING CONE.....	2	23	076821	SPACER CLIP.....	1
09	045582	TIRE VALVE.....	2	24	076595	UPPER DRAWBAR CLIP.....	1
10	072624	WHEEL 14X18KB (FOR 9.5L X. 14,6-PLY TIRE)	2		650499	CS 5/8X5-1/2 (LN).....	4
11	046001	WHEEL NUT.....	12	25	9H300	HAIRPIN COTTER PIN.....	1
12	058421	GREASE CAP.....	2	26	072478	REVERSING WRENCH.....	1
13	076568	RAMP.....	2	27	072033	RIGHT BRACE.....	1
	650495	CS 1/2X1-1/4 (N,L).....	8	28	071117 <sub>A</sub>	HITCH JACK.....	1
14	076678	RAMP ANCHOR.....	2	29	071520	WASHER.....	8
	650653	CS 1/2X4-1/2 (NILN).....	4	30	059776	UPPER CROSSBAR.....	1
15	076570	AXLE.....	1		650491	CS 3/8X1-1/4 (N,L,P).....	2
	650569	CS 1/2X1-3/4 (NILN,L)....	8				
16	075610	CROSSBAR.....	1				
	650491	CS 3/8X1-1/4 (N,L,P).....	2				

A FOR REPAIR, SEE PAGE TITLED HITCHJACKS

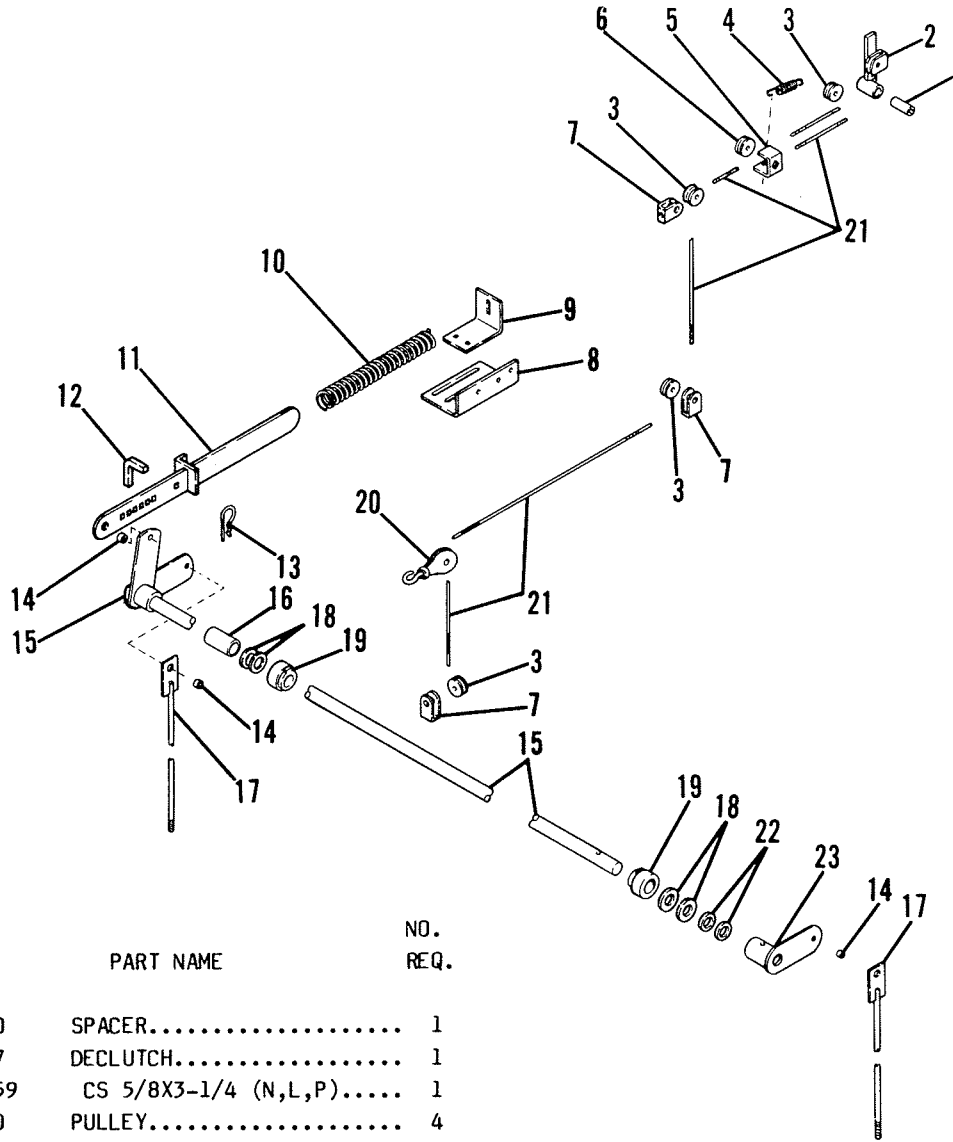
# RB1860 - IMPLEMENT DRIVE LINE SHIELDS & COVERS



REF. NO.	PART NO.	PART NAME	NO. REQ.	REF. NO.	PART NO.	PART NAME	NO. REQ.
01	071520	WASHER.....	1	22	060295	HOSE MOUNT.....	1
02	D932A	WASHER.....	1		650486	CS 5/16X3/4 (LN,P).....	2
03	H6094	HOSE CLAMP.....	2	23	060979	CAP SCREW 1/2NFX1-1/4.....	1
	650433	CS 1/2X1-1/2 (NILN).....	2	24	061006	JOINT SCREW LOCK WIRE.....	1
04	H6172	TUBULAR DRIVE KEY.....	1	25	061124 <sub>A</sub>	JOINT WITH SPLINE SHAFT...	
05	H8054	WASHER.....	1	26	061125 <sub>A</sub>	JOINT WITH SPLINE TUBE....	
06	046754	BEARING HOUSING.....	1	27	061700 <sub>B</sub>	SHEAR BOLT GR.2 5/16X1-3/4	
	650533	CS 1/2X1-1/2 (N,L).....	2	28	065674	TRANSMISSION SIDE GUARD...	1
07	055690	LATCH HANDLE.....	2		650486	CS 5/16X3/4 (N,L,P).....	3
08	055691	LATCH SPRING.....	2	29	065721	TRANSMISSION GUARD.....	1
09	055692	LATCH CLIP.....	2		650448	CS 1/4X3/4 (N,L).....	4
10	056211	COMPRESSION SPRING.....	1	30	066396	SUPPORT.....	1
11	059272	SHEAR BOLT HOLDER.....	2		650569	CS 1/2X1-3/4 (N,L,P).....	2
12	059576 <sub>A</sub>	TUBULAR DRIVE-ASSEMBLED...	1	31	076106 <sub>C</sub>	TRANSMISSION-ASSEMBLED....	1
13	059692	SHIM.....	10		570016	RELIEF FITTING.....	1
14	059729	FLANGE SHIELD.....	1		650495	CS 1/2X1-1/4 (L).....	4
	650486	CS 5/16X3/4 (N,L).....	1	32	070720	GUARD MOUNT.....	1
15	075615	FLANGE COVER.....	1		650486	CS 5/16X3/4 (N,L,P).....	5
	650486	CS 5/16X3/4 (N,L).....	2	33	520066	BEARING.....	1
16	059734	CATCH BRACKET.....	1	34	520135	THRUST BEARING.....	1
	650486	CS 5/16X3/4 (N,L).....	1	35	520136	THRUST WASHER.....	2
17	059754	PTO MOUNT.....	1	36	666002	STEEL BALL 3/4" DIA.....	2
18	059756	PTO ADJUSTMENT REAR PLATE.	1	37	049038	LATCH ASSEMBLY.....	2
	650491	CS 3/8X1-1/4 (N,L).....	3	38	067166 <sub>D</sub>	DOUBLE SPROCKET(21T/21T)..	1
19	059757	PTO PEDESTAL.....	1		655536	WOODRUFF KEY 3/8X1-1/4...	1
20	059765	PTO GUARD.....	1				
21	059766	SHIELD/PTO.....	1				
	650448	CS 1/4X3/4 (LN,P).....	2				

A FOR SERVICE, SEE PAGES TITLED UNIVERSAL DRIVES  
 B FOR REPLACEMENT SHEAR BOLTS, ORDER KIT 900015 CONTAINING 8 BOLTS  
 C FOR SERVICE, SEE PAGE TITLED TRANSMISSION  
 D FOR SPROCKET REPLACEMENT, BE SURE TO ORDER KEY 655536

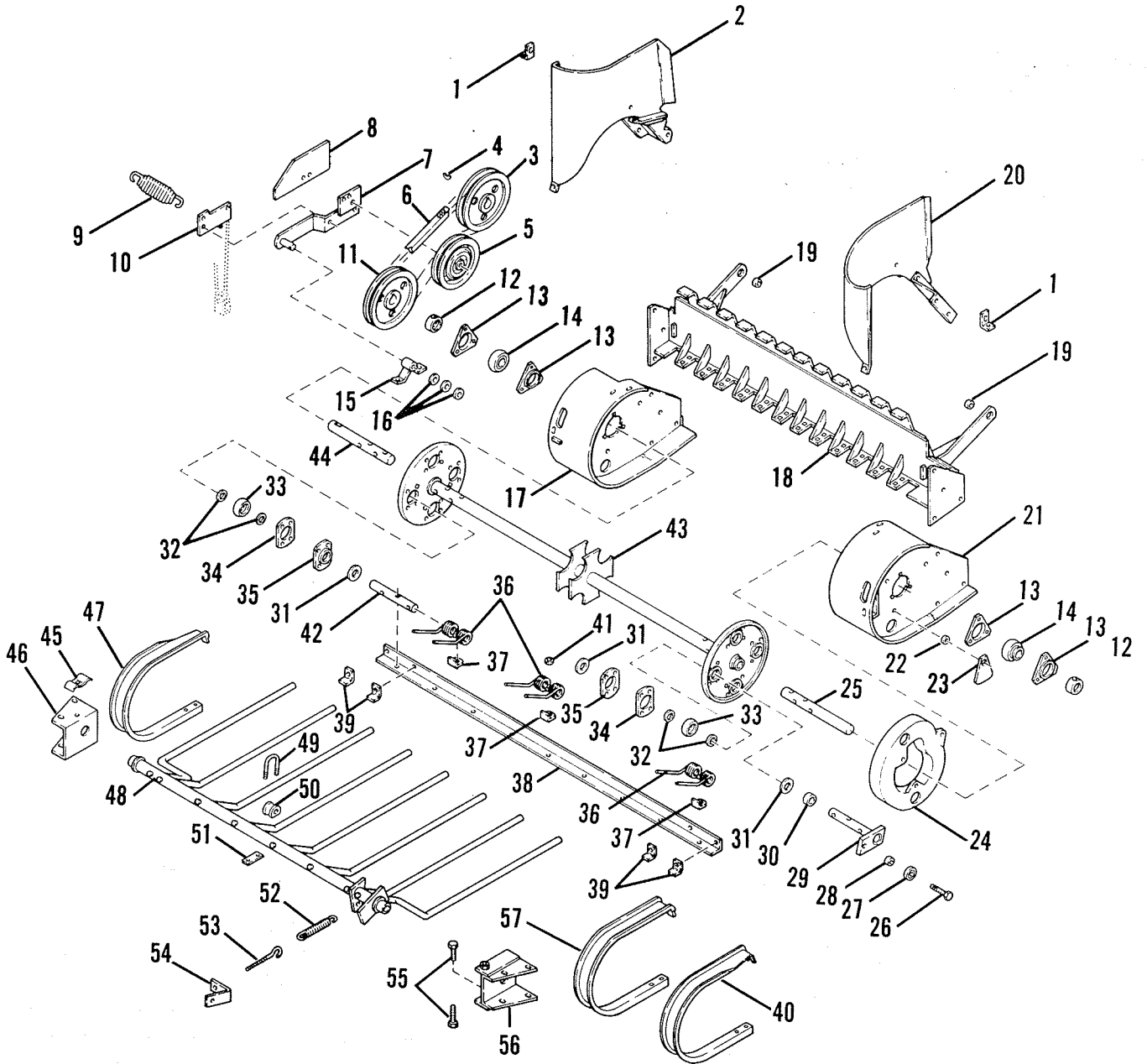
# RB1860 - PICKUP LIFT & OVERFILL CLUTCH



REF. NO.	PART NO.	PART NAME	NO. REQ.
01	066540	SPACER.....	1
02	066537	DECLUTCH.....	1
	650859	CS 5/8X3-1/4 (N,L,P)....	1
03	053900	PULLEY.....	4
	650545	CS 5/16X1-1/4 (LN).....	3
	650859	CS 5/16X1-3/4 (N,L,LN)...	1
04	U10063	EXTENSION SPRING.....	1
05	075829	PULLEY BRACKET.....	1
06	066542	PULLEY.....	1
	650791	CB 1/2X1-3/4 (2LN,L)....	1
07	056145	PULLEY BRACKET.....	3
	650486	CS 5/16X3/4 (N,L).....	1
	650487	CS 5/16X1 (N,L,1P).....	2
08	075399	STOP RIGHT BRACKET.....	1
	650490	CS 3/8X1 (1N,L).....	3
09	075401	SPRING SUPPORT BRACKET....	1
	650786	CB 3/8X1-1/4 (N,L,P)....	2
10	C133	SPRING.....	1
11	071884	SPRING GUIDE.....	1
12	071886	STOP PIN.....	1
13	9H300	HAIR PIN COTTER PIN.....	1
14	065703	SPACER.....	3

REF. NO.	PART NO.	PART NAME	NO. REQ.
15	075606	RIGHT LIFT ARM.....	1
	650569	CS 1/2X1-3/4 (N,L,LN,P)..	2
16	070868	SPACER.....	1
17	075507	LIFT ROD.....	2
		(2) LN,P	
18	H7165	WASHER.....	4
19	065679	PIVOT.....	2
	570002	GREASE FITTING.....	2
20	058539	PULLEY.....	1
	650486	CS 5/16X3/4 (LN,P).....	1
21	070605	WIRE CABLE.....	1
22	H267A	WASHER.....	2
23	075465	PICKUP LIFT LEFT ARM.....	1
	650492	CS 3/8X2-1/2 (LN).....	2
	650569	CS 1/2X1-3/4 (NILN,P)....	1

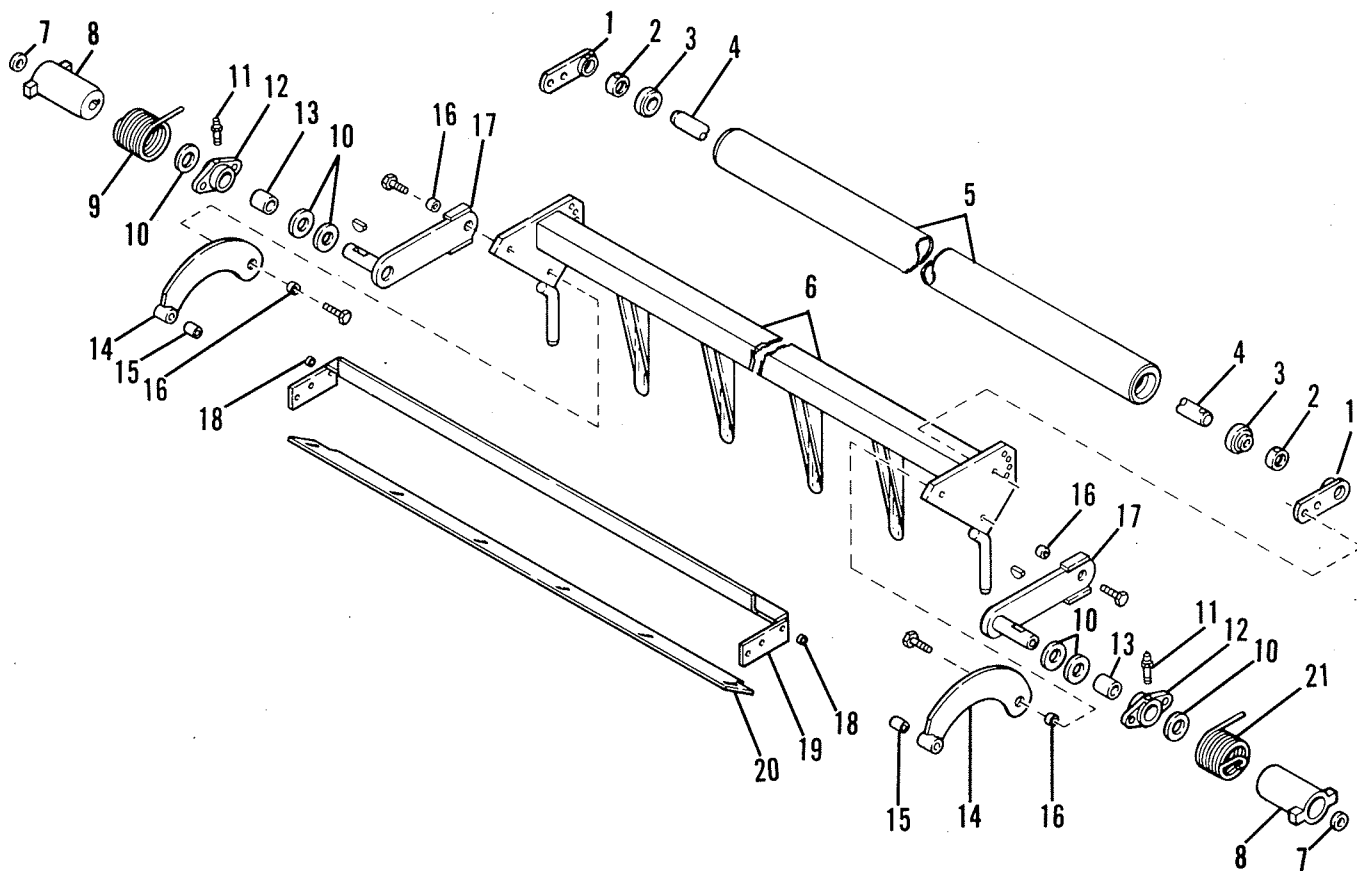
# RB1860 - PICKUP



# RB1860 - PICKUP

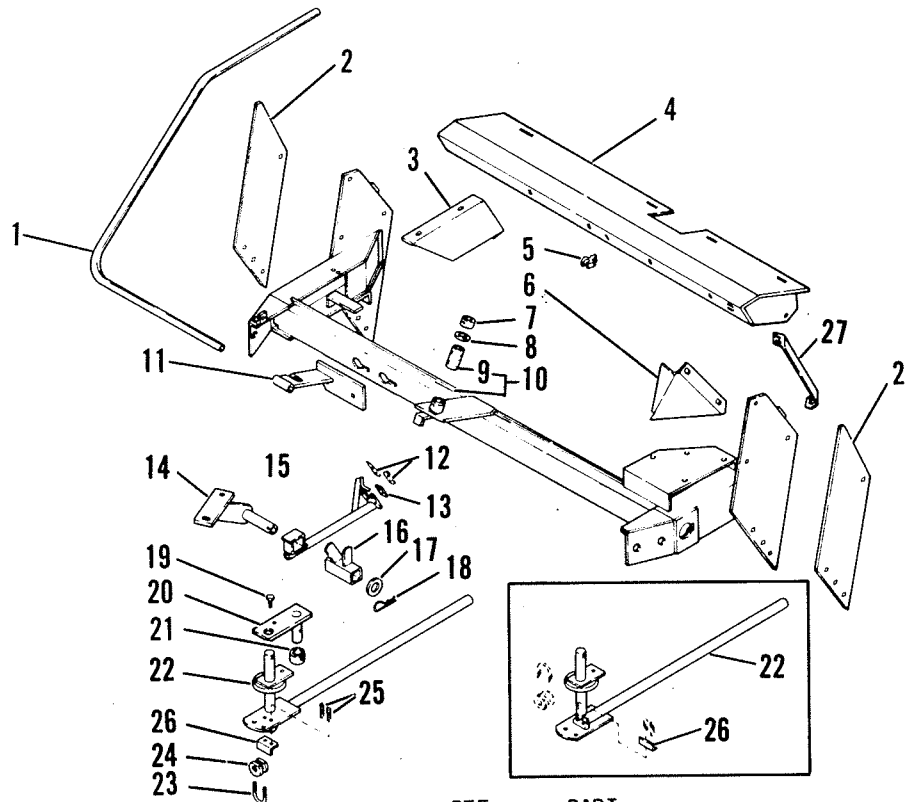
REF. NO.	PART NO.	PART NAME	NO. REQ.	REF. NO.	PART NO.	PART NAME	NO. REQ.
01	066511	ANGLE.....	2	30	071605	SPACER.....	4
	650687	CB 5/16X3/4 (N,L).....	2	31	066487	WASHER.....	12
	650949	THMS 5/16X3/4 (N,L,P)....	2	32	041881	OIL SEAL.....	16
02	071627	RIGHT CROWDER.....	1	33	056249	SINTERED BEARING.....	8
	650488	CB 3/8X3/4 (N,L).....	1	34	071606	RETAINER SHIM.....	8
	650949	THMS 5/16X3/4 (N,L,P)....	3	35	H7125	BEARING RETAINER.....	8
03	076732	SHEAVE 7-5/8" DIA.....	1		650488	CS 3/8X3/4 (N,L).....	28
	650213	SHSS-SL 3/8X3/8.....	2		650965	CS 3/8X1-1/4 GR. 8(N,L)..	4
04	073846	WOODRUFF KEY 1/4X1.....	1	36	071607	PICKUP TINE.....	36
05	053688	BELT IDLER.....	1		650545	CS 5/16X1-1/4 (NILN)....	28
	650547	CS 5/8X2 (N,L,P).....	1		650965	CS 5/16X2 (NILN).....	4
06	067516	V-BELT.....	1	37	066492	TINE CLIP.....	36
07	066526	IDLER ARM.....	1	38	071608	TINE SUPPORT.....	4
	655020	COTTER PIN 3/16X1-1/2....	1	39	071048	TINE BAR SPACER.....	16
	650490	CS 3/8X1 (N,L).....	1	40	075651	TINE LEFT GUIDE.....	1
	650569	CS 3/8X1-3/4 (N,L,P,LN)..	1		650790	CB 3/8X3/4(2N,2L,1LN,1P).	3
08	066532	IDLER SHIELD.....	1	41	042135	WASHER.....	28
	650542	CS 1/4X1/2 (L).....	2	42	071609	TINE ANGLE RIGHT SHAFT....	4
09	066531	EXTENSION SPRING.....	1		650568	CS 5/16X2 (NILN).....	4
10	066528	TENSION PLATE.....	1		650528	CS 3/8X2 (LN).....	8
11	071635	SHEAVE 8-1/2" DIA.....	1	43	071596	CARRIER PICKUP.....	1
	650513	WOODRUFF KEY-HD 1/4X1....	1		650528	CS 3/8X2 (LN).....	8
	650213	SHSS-SL 3/8X3/8.....	2	44	071601	PICKUP RIGHT SHAFT.....	1
12	520085	COLLAR.....	2	45	H6094	HOSE CLAMP.....	1
13	H8334	BEARING RETAINER.....	4		650495	CS 1/2X1-1/4 (N,L,P)....	1
	650704	CB 3/8X1 (N,L).....	6	46	071645	MOUNTING RIGHT BRACKET....	1
14	520065	BEARING.....	2		650487	CS 5/16X1 (N,L,P).....	2
15	066533	IDLER PIVOT.....	1		650545	CS 5/16X1-1/4 (N,L,P)....	2
	570009	GREASE FITTING.....	1	47	075650	TINE RIGHT GUIDE.....	1
	650490	CS 3/8X1 (N,L).....	2		650790	CB 3/8X3/4(2N,2L,1LN,1P).	3
16	H8354	RETAINER WASHER.....	3	48	075612	HOLDDOWN.....	1
17	071620	RIGHT HEADER.....	1	49	075460	U-BOLT.....	1
18	071610	HANGER STRIPPER.....	1			(2) 5/16 LN	
	650490	CS 3/8X1 (N,L).....	7	50	059721	ROPE GUIDE.....	1
19	057512	PIVOT BUSHING.....	2	51	075499	STRAP.....	1
	650498	CS 1/2X6 (NILN,4P).....	2	52	U10014B	EXTENSION SPRING.....	1
20	071631	LEFT CROWDER.....	1	53	17H281	EYEBOLT.....	1
	650488	CS 3/8X3/4 (N,L).....	1			(2) 3/8 N	
	650949	THMS 5/16X3/4 (N,L,P)....	3	54	071647	ANGLE.....	1
21	072557	LEFT HEADER.....	1		650490	CS 3/8X1 (N,L).....	1
22	058807	WASHER.....	1	55	071646	CAP SCREW 1/2X2.....	2
23	071626	COVER.....	1			(2) 1/2 N	
24	069531	PICKUP CAM.....	1	56	071643	MOUNTING LEFT BRACKET....	1
	650495	CS 1/2X1-1/4 (NILN)....	2		650487	CS 5/16X1 (N,L,P).....	2
	650453	CSX1-1/2 (NILN,P).....	1		650545	CS 5/15X1-1/4 (N,L,P)....	2
25	066480	PICKUP LEFT SHAFT.....	1	57	071637	TINE GUIDE.....	15
26	066490	CS W/PATCH 1/2X1-1/2....	4		650790	CB 3/8X3/4(N,L,25LN,25P).	15
27	520175	BALL BEARING.....	4				
28	066489	CAM ROLLER SPACER.....	4				
29	072554	CAM ARM.....	4				
	650568	CS 5/16X2 (NILN).....	4				
	650528	CS 5/8X2 (NILN).....	8				

# RB1860 - BALE STARTER & SCRAPER



REF. NO.	PART NO.	PART NAME	NO. REQ.	REF. NO.	PART NO.	PART NAME	NO. REQ.
01	069797	STARTER SUPPORT.....	2	13	070795	SLEEVE.....	2
	650490	CS 3/8X1 (LN).....	2	14	075420	LINK.....	2
	650491	CS 3/8X1-1/4 (4LN).....	2	15	070804	SPACER PIVOT.....	2
02	520084	COLLAR.....	2		650818	CS 3/8X3 (L,P,NILN).....	2
03	520062	BEARING.....	2	16	057185	SPACER.....	4
04	070805	BALE STARTER SHAFT.....	1		650978	CS 3/8X1-3/4 GR.8(8LN,8P)	4
	650786	CS 1/4X2 (LN).....	1	17	075418	BALE STARTER ARM.....	2
05	070598	BALE STARTER ROLL.....	1		650513	WOODRUFF KEY 1/4X1.....	2
06	075614	BALE STARTER.....	1	18	061501	SPACER.....	2
07	063586	WASHER.....	2	19	075713	SCRAPER.....	1
	650491	CS 3/8X1-1/4 (L).....	2		650490	CS 3/8X1 (N).....	4
08	070797	SPRING PLUG.....	2	20	075717	BLADE.....	1
09	070798	BALE STARTER RIGHT SPRING.	1		650487	CS 5/16X1 (L,P).....	8
10	066487	WASHER.....	6	21	070796	BALE STARTER LEFT SPRING..	1
11	064389	LUBE FITTING.....	2				
12	070791	BALE STARTER BEARING.....	2				
	650491	CS 3/8X1-1/4 (LN,L).....	4				

# RB1860 - CROSSFRAME, TWINE TUBES & CUTOFF



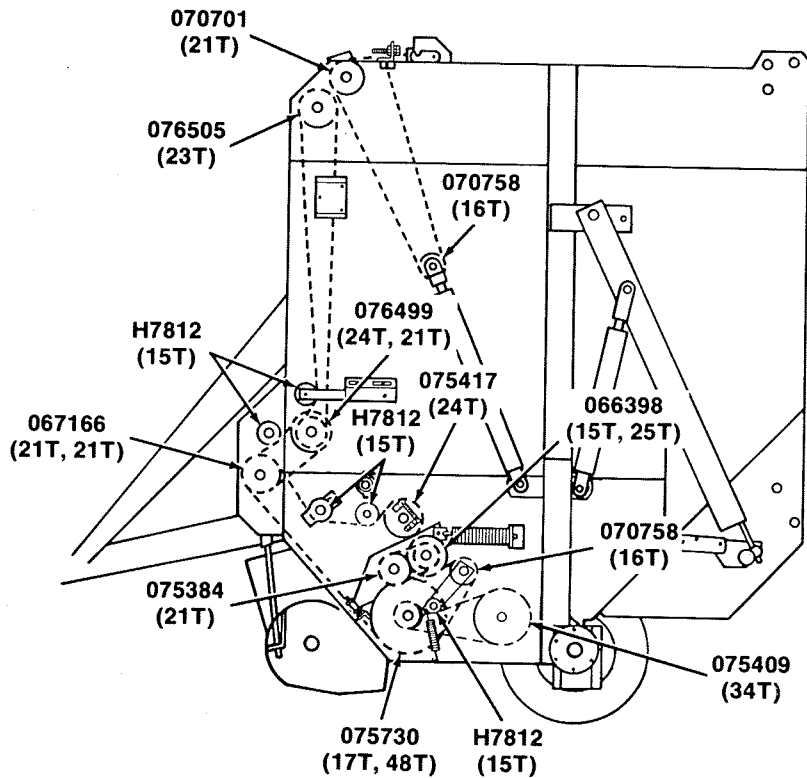
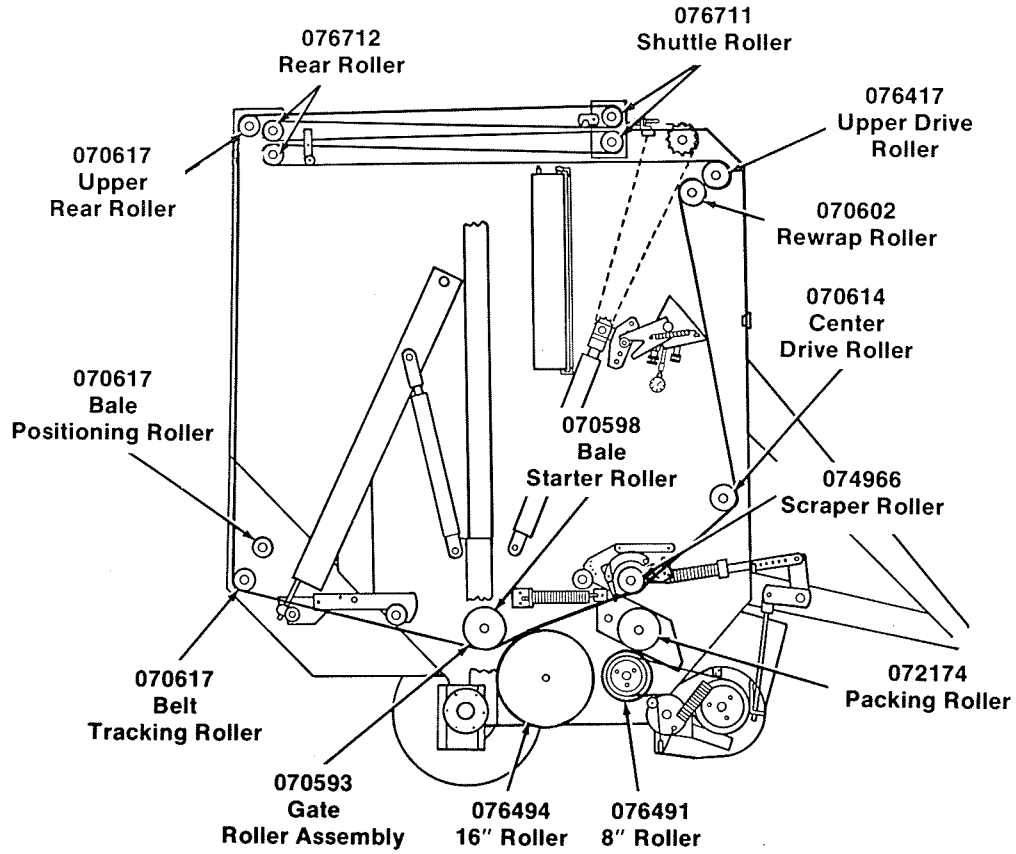
REF. NO.	PART NO.	PART NAME	NO. REQ.	REF. NO.	PART NO.	PART NAME	NO. REQ.
01	075425	TWINE TUBE.....	1	18	9H300	HAIR PIN COTTER PIN.....	1
02	070691	FILLER PLATE.....	2	19	061708 <sub>A</sub>	SHEAR BOLT 1/4X1 GR. 2....	1
03	075426	KNIFE COVER.....	1			(1) 1/4 LN	
	650487	CS 5/16X1 (N,L,P).....	2	20	075604	CYLINDER ATTACHMENT ARM...	1
04	075600	FRONT COVER.....	1	21	059708	SPACER.....	1
	650486	CS 5/16X3/4 (N,L,4P)....	5		650692	CS 5/16X1-3/4 (LN).....	1
	650487	CS 5/16X1 (N,L,P).....	2	22	076890	TWINE TUBE (USED AFTER....	1
05	075461	SAFETY TINE HOLDER.....	4			SERIAL #12418)	
06	075688	DEFLECTOR.....	1		075430 <sub>B</sub>	TWINE TUBE (USED BEFORE...)	1
07	075447	COLLAR.....	1			SERIAL#12419)	
	650579	CS 3/8X1-3/4 (LN).....	1	23	B11069	U-BOLT.....	1
08	17H140	WASHER.....	1			(2) 5/16 LN	
09	075331	BRONZE BUSHING.....	1	24	059721	ROPE GUIDE.....	1
10	075353	FRONT FRAME.....	1	25	M12361	SPRING.....	2
	570019	FITTING/GREASE.....	1	26	076892	TWINE BRAKE (USED AFTER...)	1
	650786	CB 3/8X1-1/4 (N,L).....	8			SERIAL #12418)	
11	075440	CYLINDER MOUNT.....	1		057422 <sub>C</sub>	TWINE BRAKE (USED BEFORE..)	1
	650527	CS 1/2X1-1/4 (N,L).....	2			SERIAL #12419)	
	650453	CS 1/2X1-1/2 (JN).....	1	27	075603	GUARD SUPPORT.....	1
	650918	CS 1/2X7-1/2 (NILN).....	1		650486	CS 5/16X3/4 (N,L,P).....	2
12	057919	TWINE KNIFE.....	2		650985	TCS 5/16X3/4.....	2
	650448	CS 1/4X3/4 (N,L).....	2				
	650835	CS 1/4X1 (N,L).....	2				
13	057920	KNIFE SPACER.....	1				
14	075941	KNIFE PIVOT.....	1				
	650495	CS 1/2X1-1/4 (N,L).....	2				
15	075937	KNIFE.....	1				
16	075945	KNIFE LIFT ARM.....	1				
17	H8330	WASHER.....	1				

A FOR REPLACEMENT SHEAR BOLTS, ORDER KIT 900091 CONTAINING 8 BOLTS

B FOR REPLACEMENT, ORDER TWINE TUBE 076890 & TWINE BRAKE 076892

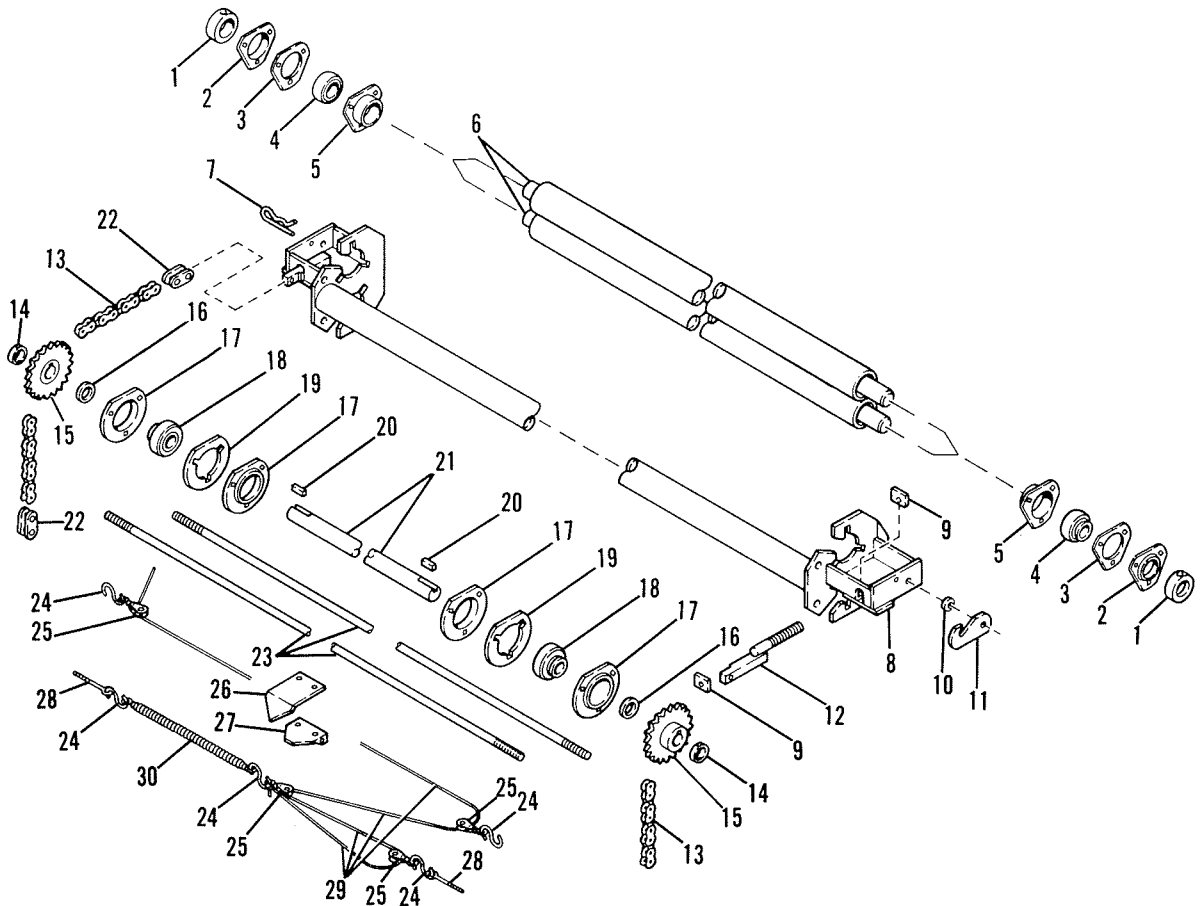
C FOR REPLACEMENT, ORDER BRAKE 076892

# RB1860 - SPROCKET & ROLLER PART NUMBER GUIDE



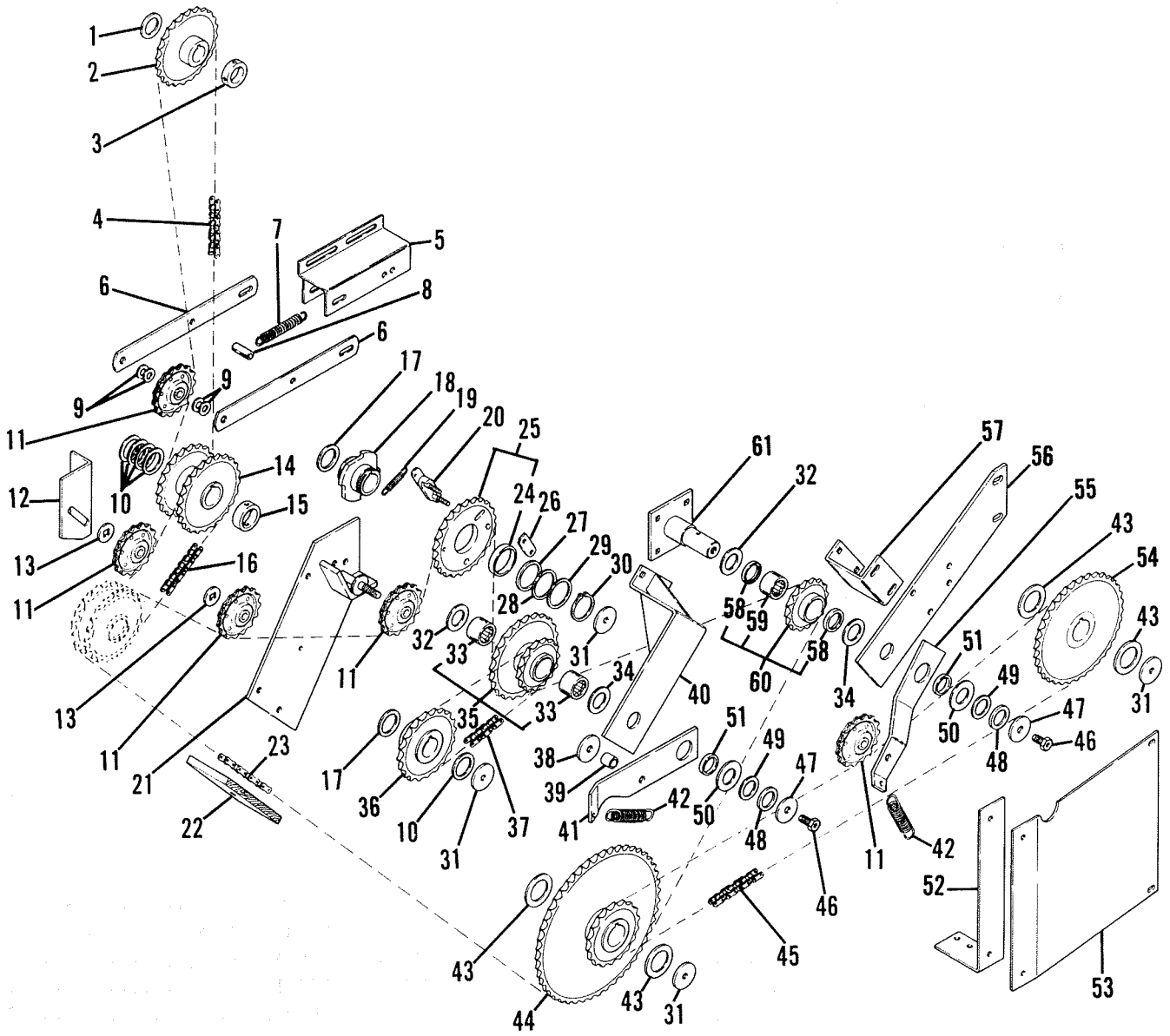


# RB1860 - SHUTTLE & BALE SIZE INDICATOR



REF. NO.	PART NO.	PART NAME	NO. REQ.	REF. NO.	PART NO.	PART NAME	NO. REQ.
01	520085	COLLAR.....	4	15	070701	SPROCKET (21T).....	2
02	H8334	BEARING RETAINER.....	4	16	H7165	WASHER.....	4
03	066181	BEARING SPACER.....	4	17	051525	BEARING RETAINER.....	4
04	520065	BEARING.....	4		650704	CB 3/8X1 (N,L).....	6
05	066309	BEARING RETAINER.....	4	18	057179	BEARING.....	2
	650704	CB 3/8X1 (LN,P).....	12	19	061509	SHIM.....	2
06	076711	SHUTTLE ROLLER.....	2	20	066160	SQUARE KEY 5/16X2.....	2
07	9H300	HAIR PIN COTTER PIN.....	2	21	070700	STABILIZER SHAFT.....	1
08	070721	SHUTTLE.....	1	22	070643	PLAIN LINK (CA2060).....	4
	650834	CB 1/2X1-1/2 (N,JN).....	2	23	061711	REWRAP ROD.....	2
09	059720	TAKEUP RETAINER.....	2			(8) 5/8 N	
	650487	CS 5/16X1 (N,L).....	1	24	B11433A	S-HOOK.....	5
10	055142	SPRING WASHER.....	2		650491	CS 3/8X1-1/4 (N,L,P).....	1
11	057980	HOOK.....	2	25	071660	PULLEY.....	4
	650495	CS 1/2X1-1/4 (NILN).....	2	26	066173	BALE SIZE INDICATOR.....	1
12	070730	CHAIN TAKEUP.....	1		650490	CS 3/8X1 (N,L,P).....	1
		(2) 3/4 N		27	066174	INDICATOR BASE.....	1
13	070603	ROLLER CHAIN (#60) OF.....	2	28	065811	EYEBOLT.....	2
		105 LINKS ONLY				(4) 5/16 N, (2)P	
14	074408	COLLAR.....	2	29	070607	CORD 3/16X198".....	1
	650706	CS 1/4X2 (LN).....	2	30	056336	EXTENSION SPRING.....	1

# RB1860 - ROLLER DRIVES

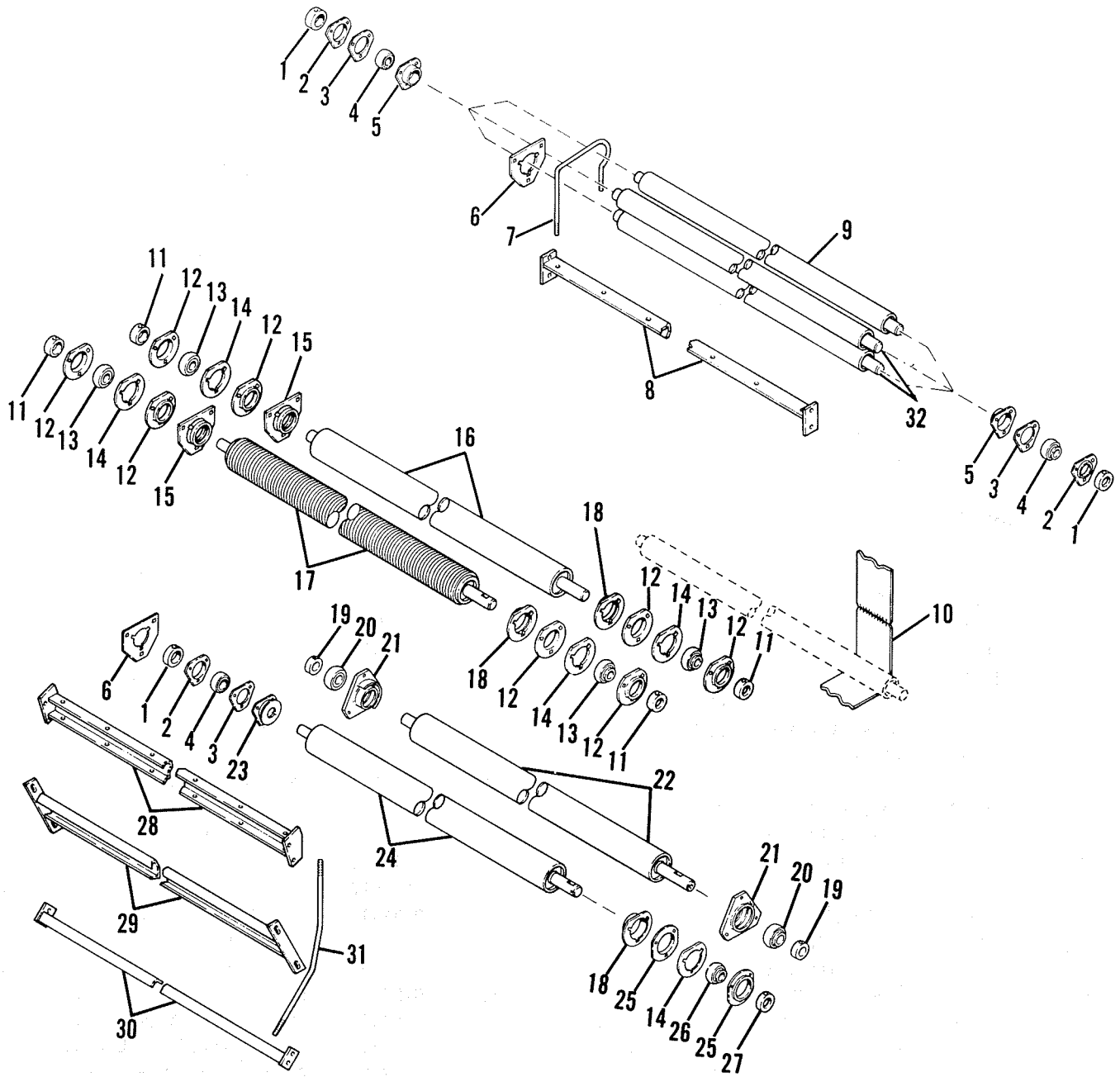


## RB1860 - ROLLER DRIVES

REF. NO.	PART NO.	PART NAME	NO. REQ.	REF. NO.	PART NO.	PART NAME	NO. REQ.
01	B11162B	WASHER.....	2	31	17H361	WASHER.....	4
02	076505	SPROCKET (23T).....	1		650490	CS 3/8X1 (L).....	4
	655539	WOODRUFF KEY1/4X1-1/8....	1	32	057350	THRUST BEARING RACE.....	2
03	058489	COLLAR.....	1	33	056345	NEEDLE BEARING.....	2
	650204	SHSS-SL 5/16X3/8.....	1	34	057351	THRUST BEARING WASHER.....	2
04	076440	CHAIN (#60) OF 159 LINKS..	1	35	066398	IDLER SPROCKET (15/25T)...	1
		INCLUDING ONE 500160		36	075384	SPROCKET (21T).....	1
		PLAIN CONNECTOR & ONE			655536	WOODRUFF KEY 3/8X1-1/4...	1
		500161 OFFSET CONNECTOR		37	070323	CHAIN (#60) OF 42 LINKS... INCLUDING ONE 500160 PLAIN CONNECTOR	1
05	076502	IDLER BRACKET.....	1				
	650704	CB 3/8X1 (N,L,P).....	2	38	074028	HARDENED WASHER.....	1
06	066392	IDLER ARM.....	2	39	074027	SPACER.....	1
	650818	CS 3/8X3 (LN,P).....	2		650569	CS 1/2X1-3/4 (LN).....	1
	650850	CS 1/2X2-3/4 (N,L).....	1	40	075482	OUTBOARD SUPPORT.....	1
07	17H349	EXTENSION SPRING.....	1		650704	CB 3/8X1 (N,L).....	2
08	076504	IDLER BRACKET SPACER.....	1	41	075419	IDLER ARM.....	1
09	058357	WASHER.....	4	42	071999	EXTENSION SPRING.....	2
10	070736	WASHER.....	5	43	042158	SPACER.....	4
11	H7812	IDLER SPROCKET (15T).....	5	44	075730	DOUBLE SPROCKET(17/48T)...	1
	650585	CS 1/2X2 (N,P).....	1		650601	WOODRUFF KEY-HD3/8X1-1/2.	1
12	075689	IDLER BRACKET.....	1	45	075705 <sub>A</sub>	ROLLER CHAIN (#60HE) OF... 61 LINKS INCLUDING ONE PLAIN CONNECTOR & ONE OFFSET CONNECTOR	1
	650704	CB 3/8X1 (N,L).....	2				
	650774	CB 1/2X2 (N,L).....	1				
13	048459	WASHER.....	2				
14	076499	DOUBLE SPROCKET(24T/21T)..	1	46	9H240	CAP SCREW GR.2 1/2X2.....	2
	655537	WOODRUFF KEY 5/16X1-1/4..	1		570019	GREASE FITTING.....	2
15	072069	COLLAR.....	1	47	055447	WASHER.....	2
	650977	CS 5/16X2-1/4 GR.8 (LN)..	1	48	C14121	WASHER.....	2
16	075412	ROLLER CHAIN (#60 HE) OF..	1	49	061529	WASHER.....	2
		50 LINKS INCLUDING ONE		50	054353	WASHER.....	2
		055903 PLAIN CONNECTOR		51	070749	SPACER.....	2
17	057617	WASHER.....	2	52	076548	SPRING ANCHOR.....	1
18	073722	CLUTCH PLATE.....	1	53	076549	CHAIN GUARD.....	1
	655537	WOODRUFF KEY 5/16X1-1/4..	1		650618	TCS 5/16X5/8.....	2
19	070870	EXTENSION SPRING.....	1		650486	CS 5/16X3/4 (N,L).....	1
20	075406	CLUTCH LINK.....	1		650577	CS 5/16X1-1/2 (2N).....	1
		(2) 5/16 NILN		54	075409	SPROCKET(34T).....	1
21	075691	IDLER BRACKET.....	1		650601	WOODRUFF KEY-HD3/8X1-1/2.	1
	650490	CS 3/8X1 (1N,L).....	3	55	075700	IDLER ARM.....	1
	650773	CB 3/8X1-1/2 (N,L).....	1	56	075701	OUTBOARD PLATE.....	1
22	075383	CHAIN SLIDE.....	1		650491	CS 3/8X1-1/4 (N,L,P).....	2
	650704	CB 3/8X1 (N,L).....	1		650453	CS 1/2X1-1/2 (N,L,4P)....	2
23	075489	ROLLER CHAIN (#60) OF 146.	1	57	075702	OUTBOARD PLATE SUPPORT....	1
		LINKS INCLUDING ONE			650704	CB 3/8X1 (N,L).....	2
		500160 PLAIN CONNECTOR		58	053342	OIL SEAL.....	2
24	069847	BRONZE BUSHING.....	1	59	051250	NEEDLE BEARING.....	1
25	075417	SPROCKET (24T).....	1	60	070758	SPROCKET (16T).....	1
	650588	CS 1/4X1-1/2 (2N).....	1	61	075402	JACKSHAFT.....	1
26	075395	LINK STABILIZER PLATE.....	1		650790	CB 3/8X3/4 (LN).....	2
27	069794	SHIM WASHER (0.134).....	1				
28	069793	SHIM WASHER (0.050).....	1				
29	069792	SHIM WASHER (0.036).....	1				
30	052205	RETAINING RING.....	1				

A FOR REPLACEMENT PLAIN CONNECTOR, ORDER PART #055903

# RB1860 - UPPER BELTS, ROLLERS & RELATED COMPONENTS

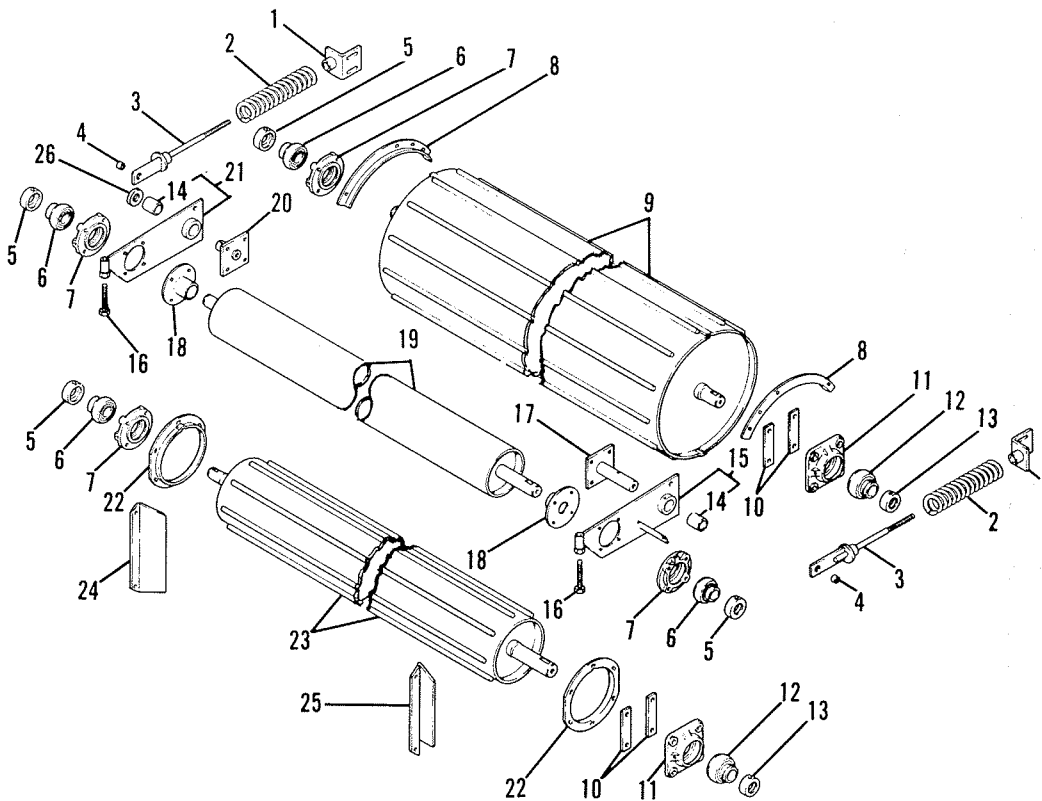


## RB1860 - UPPER BELTS, ROLLERS & RELATED COMPONENTS

REF. NO.	PART NO.	PART NAME	NO. REQ.	REF. NO.	PART NO.	PART NAME	NO. REQ.
01	520085	COLLAR.....	7	21	074963	BEARING HOUSING.....	2
02	H8334	BEARING RETAINER.....	7		570019	GREASE FITTING.....	2
03	066181	BEARING SPACER.....	7		650704	CB 3/8X1 (N,L).....	6
04	520065	BEARING.....	7	22	074966	SCRAPER ROLLER.....	1
05	066309	BEARING RETAINER.....	6	23	066182	ROLL SHIELD.....	1
	650704	CB 3/8X1 (N,L).....	21		650704	CB 3/8X1 (N,L).....	3
06	066183	PLATE.....	2	24	070614	CENTER DRIVE ROLLER.....	1
07	066178	REAR GUIDE ROD.....	8	25	S16215	BEARING RETAINER.....	2
		(32) 1/2 N			650786	CB 3/8X1-1/4 (N,L).....	3
08	070710	BELT GUIDE.....	2	26	520158	BEARING.....	1
	650490	CS 3/8X1 (N,L).....	6	27	520093	COLLAR.....	1
	650491	CS 3/8X1-1/4 (N,L,P).....	2	28	070708	BELT GUIDE.....	1
09	070617	UPPER REAR ROLLER.....	1		650490	CS 3/8X1 (N,L).....	4
10	075742 <sub>A</sub>	UPPER BELT.....	7	29	059651	BELT GUARD.....	1
11	520090	COLLAR.....	4		650490	CS 3/8X1 (N,L,P).....	4
12	051525	BEARING RETAINER.....	8	30	070705	BELT FRONT GUIDE.....	1
	650704	CB 3/8X1 (N,L).....	3		650490	CS 3/8XL (N,L).....	4
	650786	CB 3/8X1-1/4 (N,L).....	6	31	059650	ROD FRONT GUIDE.....	8
13	057179	BEARING.....	4			(32) 1/2N	
14	061509	SHIM.....	5	32	076712	REAR ROLLER.....	2
15	070702	ROLL SHIELD.....	2				
	650490	CS 3/8X1 (N,L).....	4				
	650704	CB 3/8X1 (N,L).....	2				
16	070602	REWRAP ROLL.....	1				
17	076417	UPPER DRIVE ROLLER.....	1				
18	057965	ROLL SHIELD.....	3				
19	520067	COLLAR.....	2				
20	074964	BEARING.....	2				

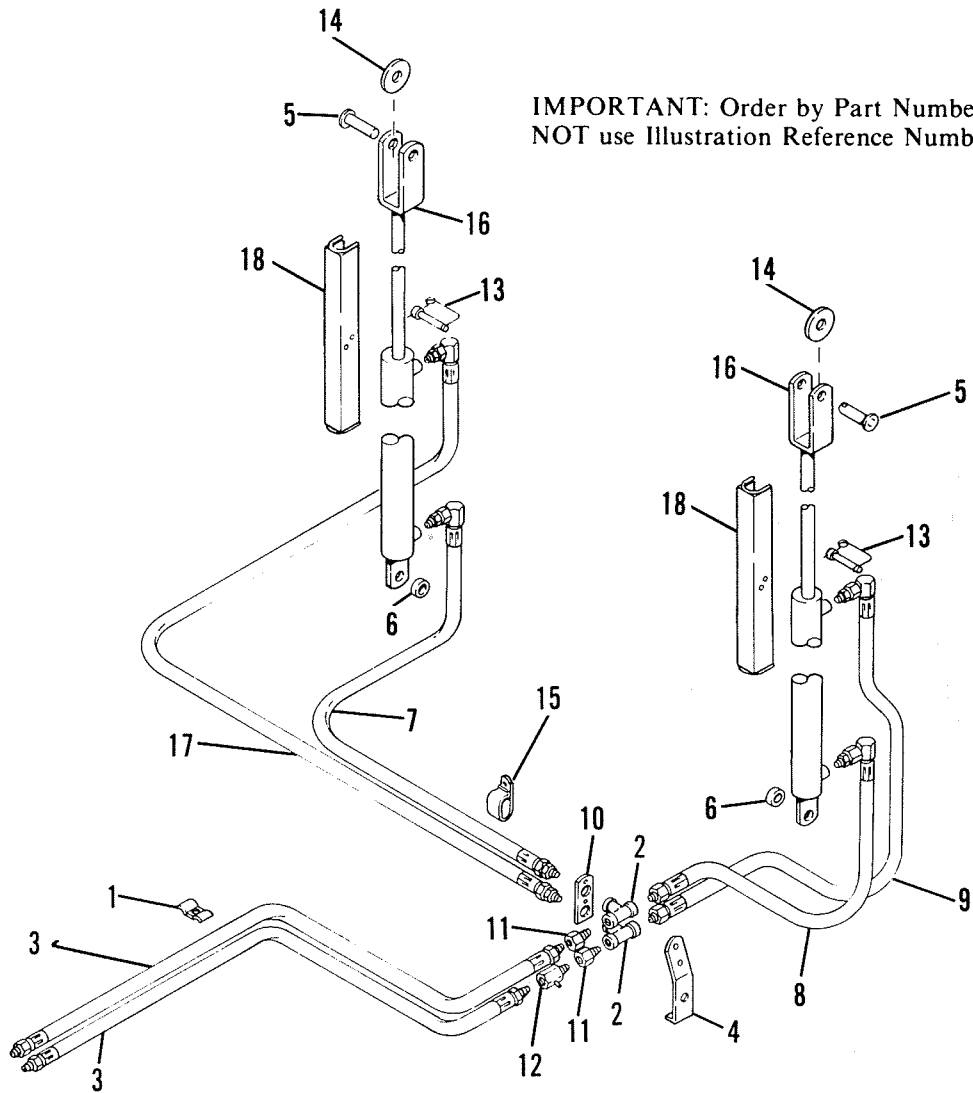
A FOR BELT REPLACEMENT, ORDER KIT 075743 WHICH INCLUDES BELT & 059803 LACING PIN. FOR BELT REPAIR, ORDER DUTCHMAN KIT 076631. FOR SPLICING UPPER BOLTS, ORDER 72" LACING CABLE 060345 AND CUT TO LENGTH. FOR LACING HOOK REPAIR, ORDER KIT 802700 WHICH INCLUDES VICE LACER & LACING HOOKS OR KIT 073390 WHICH INCLUDES ONLY LACING HOOKS AND A CABLE.

# RB1860 - LOWER ROLLERS



REF. NO.	PART NO.	PART NAME	NO. REQ.	REF. NO.	PART NO.	PART NAME	NO. REQ.
01	075413	SPRING MOUNT.....	2	14	066208	BRONZE BUSHING.....	2
	650704	CB 3/8X1 (N,L,P).....	4	15	075494	ROLL LEFT ARM.....	1
02	066221	COMPRESSION SPRING.....	2		570023	GREASE FITTING.....	1
03	075393	SPRING GUIDE ARM.....	2	16	062342	HTB 1/2X1-1/2.....	2
	650495	CS 1/2X1-1/4 (LN,P,NILN).	2		(2) 1/2 N		
04	066226	PIVOT BUSHING.....	2	17	074669	LEFT JACKSHAFT.....	1
05	520093	COLLAR.....	4		650790	CB 3/8X3/4 (N,L).....	4
06	041499	BALL BEARING.....	4	18	075396	ROLL SHIELD.....	2
07	061809	BEARING HOUSING.....	1		650860	CB 3/8X1-3/4 (N,L).....	7
	570003	GREASE FITTING.....	4	19	072174	PACKING ROLLER.....	1
	650533	CS 3/8X1 (JN,L).....	1	20	074667	RIGHT JACKSHAFT.....	1
	650579	CS 3/8X1-3/4 (L).....	8		650554	COTTER PIN 1/4X2-1/4.....	1
	650860	CB 3/8X1-3/4 (N,L).....	7		650790	CB 3/8X3/4 (LN).....	4
08	075502	16" ROLL SHIELD.....	2	21	075490	ROLL RIGHT ARM.....	1
	650704	CB 3/8X1 (5N,5L,2LN).....	7		570002	GREASE FITTING.....	1
09	076494	16" DIAMETER ROLL.....	1	22	051916	FLANGE.....	2
	650601	DRIVE KEY 3/8X1.....	1		650687	CB 5/16X3/4 (N,L).....	6
10	075729	BEARING SPACER.....	4	23	076470	8" DIAMETER ROLLER.....	1
	570003	GREASE FITTING.....	1	24	075500	CROP RIGHT DEFLECTOR.....	1
	570012	GREASE FITTING.....	1		650486	CS 5/16X3/4 (N,L).....	2
11	R13216	BEARING HOUSING.....	2	25	075501	CROP LEFT DEFLECTOR.....	1
	570012	GREASE FITTING.....	2		650486	CS 5/16X3/4 (N,L).....	1
	650569	CS 1/2X1-3/4 (L).....	8		650487	CS 5/16X1 (N,L).....	1
12	520098	BALL BEARING.....	2	26	B 11090	WASHER.....	1
13	520099	LOCK COLLAR.....	2				

# RB1860 - GATE HYDRAULICS

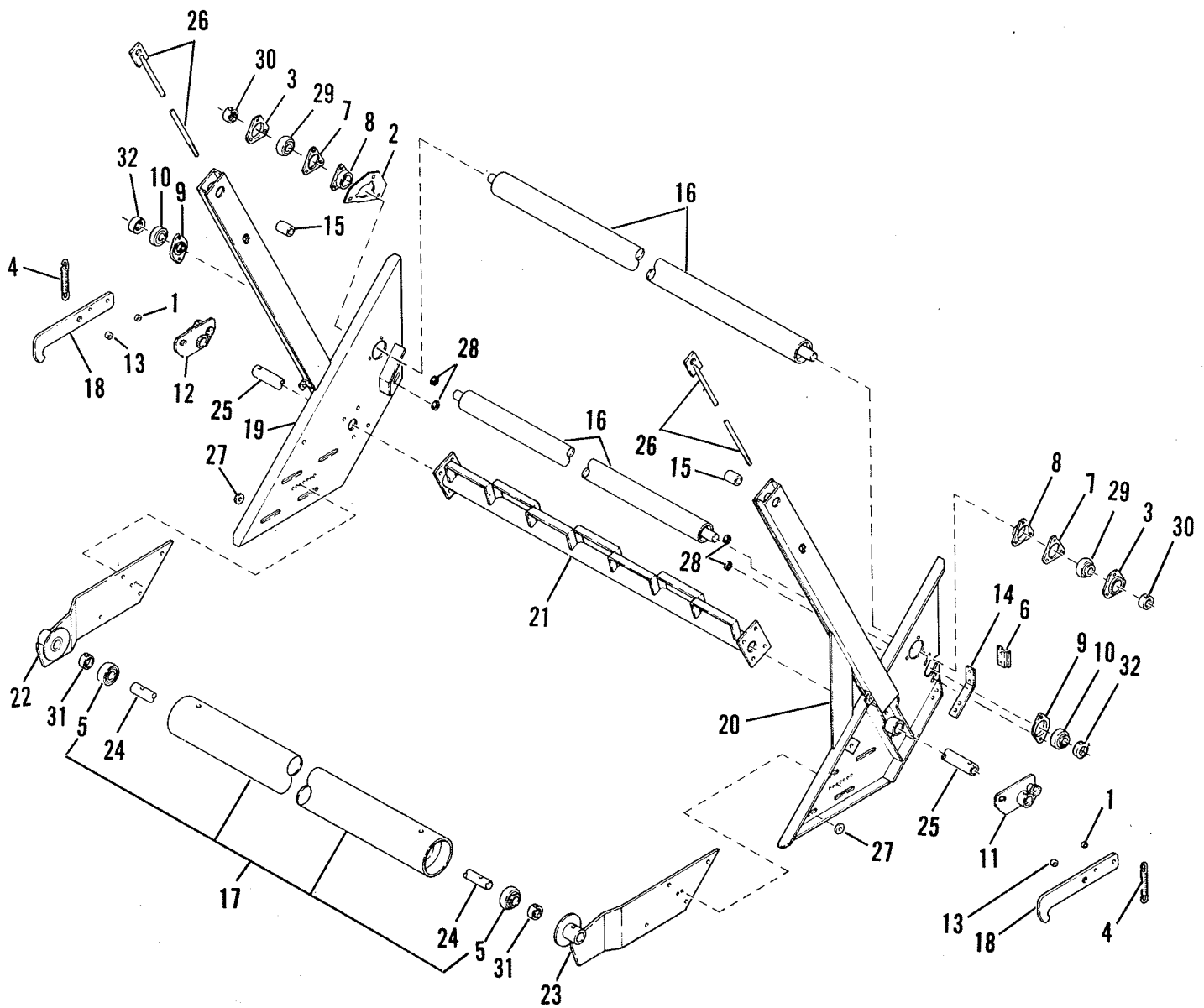


**IMPORTANT: Order by Part Number - DO NOT use Illustration Reference Numbers.**

REF. NO.	PART NO.	PART NAME	NO. REQ.	REF. NO.	PART NO.	PART NAME	NO. REQ.
01	H6094	HOSE CLAMP.....	1	11	066431	REDUCING CONNECTOR.....	2
	650453	CS 1/2X1-1/2 (NILN).....	1	12	066432	UNIDIRECTIONAL VALVE.....	1
02	059113	PIPE TEE 1/4.....	2	13	066452	LOCK PIN.....	2
03	059539	HOSE 120".....	2	14	067491	WASHER.....	2
04	066260	JUNCTION PLATE.....	1	15	067880	HOSE CLAMP.....	4
	650649	CS 3/4X2 (N,L).....	1		650491	CS 3/8X1-1/4 (N,6).....	1
05	066383	PIN.....	2			(1) 5/16 N,L,P	
	650022	COTTER PIN 3/16X1-3/4....	2	16	070591 <sub>A</sub>	HYDRAULIC CYLINDER.....	2
06	066385	CYLINDER ANCHOR PIVOT.....	2		650913	CS 1-NFX2-1/2 (NILN,P)...	2
07	076132	HOSE 125".....	1	17	076133	HOSE 146".....	1
08	076112	HOSE 72".....	1	18	075608	CYLINDER LOCK.....	2
09	076113	HOSE 90".....	1				
10	066429	RETAINER.....	1				

A FOR SEAL KIT, ORDER PART #066551

# RB1860 - REAR GATE

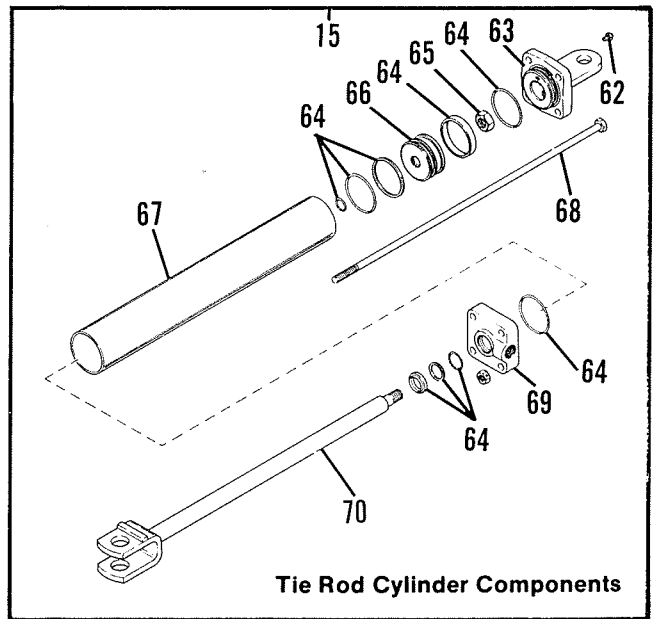
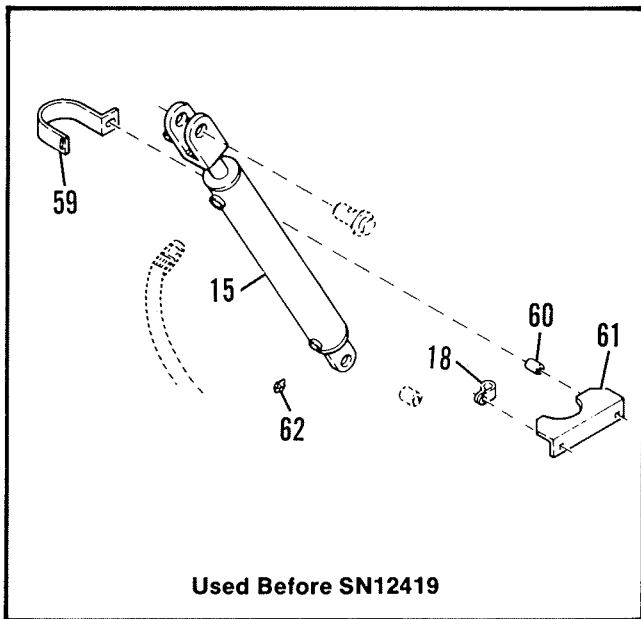
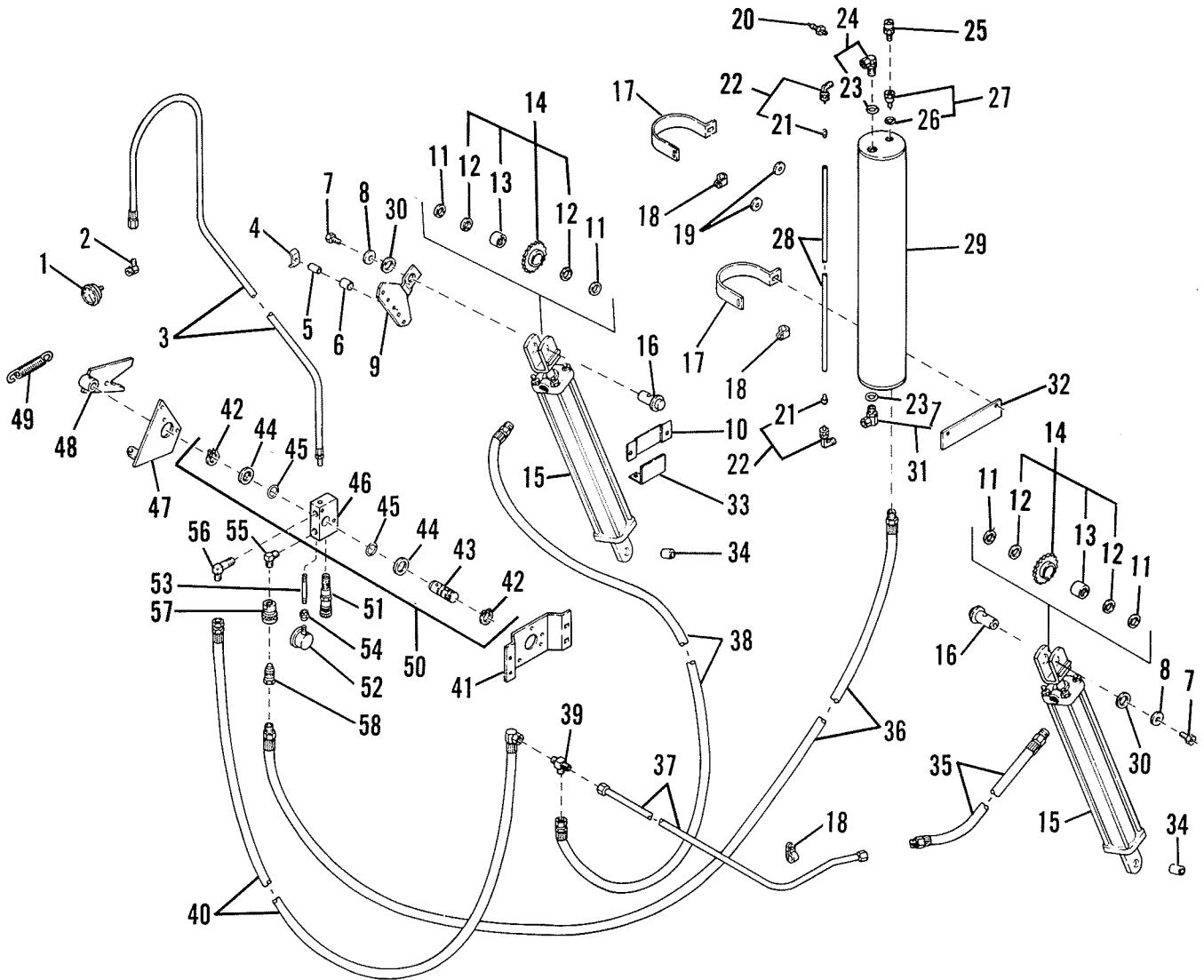




# RB1860 - REAR GATE

REF. NO.	PART NO.	PART NAME	NO. REQ.	REF. NO.	PART NO.	PART NAME	NO. REQ.
01	6H130	PIVOT BRG.....	2	19	075617	RIGHT GATE.....	1
	650569	CS 1/2X1-3/4 (NILN,P)....	2		570019	GREASE FITTING.....	1
02	066183	PLATE.....	1		570009	GREASE FITTING.....	1
	650704	CB 3/8X1 (N,L).....	3		650487	CS 5/16X1 (2N).....	1
03	H8334	BEARING RETAINER.....	2	20	075623	LEFT GATE.....	1
	650704	CB 3/8X1 (N,L).....	6		570019	GREASE FITTING.....	1
04	U10014B	EXTENSION SPRING.....	2		570009	GREASE FITTING.....	1
05	041499	BALL BEARING.....	2		650487	CS 5/16X1 (2N).....	1
06	047269	MOUNTING SOCKET.....	1	21	070824	BELT GUIDE.....	1
	650949	THMS 5/16X3/4 (N,L).....	2		650490	CS 3/8X1 (N,L).....	8
07	066181	BEARING SPACER.....	2	22	075596	GATE ROLL RIGHT ARM.....	1
08	066309	62MM BEARING RETAINER.....	2		650487	CS 5/16X1 (N,L).....	1
09	046754	BEARING HOUSING.....	2		650569	CS 1/2X1-3/4 (NILN,L)....	4
	650860	CB 3/8X1-3/4 (N,L).....	4	23	075598	GATE ROLL LEFT ARM.....	1
10	057179	BALL BEARING.....	2		650487	CS 3/8X1 (N,L).....	1
11	066364	TORSION LEFT ARM.....	1		650569	CS 1/2X1-3/4 (NILN,L)....	4
	650492	CS 3/8X2-1/2 (N,L).....	1	24	070833	ROLLER SHAFT.....	1
12	066365	TORSION RIGHT ARM.....	1		650784	CS 5/16X2-3/4 (LN).....	2
	650492	CS 3/8X2-1/2 (N,L).....	1	25	070834	GATE LOCK PIVOT TUBE.....	1
13	066369	GATE LOCK ARM BUSHING.....	2		650492	CS 3/8X2-1/2 (LN).....	2
14	066376	SMV EMBLEM BRACKET.....	1	26	070835	LIFT ROD.....	2
	650486	CS 5/16X3/4 (N,L).....	2			(2) 1/2 NILN	
15	066377	GATE PIVOT BUSHING.....	2	27	071520	WASHER.....	8
	650914	CS 1-NFX3-3/4 (NF-NILN,P)	2	28	B11343	WASHER.....	4
16	070617	REAR ROLLER.....	2	29	520065	BALL BEARING.....	2
17	070645	GATE ROLLER.....	1	30	520085	COLLAR.....	2
	570019	GREASE FITTING.....	2	31	520093	COLLAR.....	2
18	070750	GATE LOCK ARM.....	2	32	520090	COLLAR.....	2
	650545	CS 5/16X1-1/4 (4N).....	2				

# RB1860 - TOTAL DENSITY CONTROL



# RB1860 TOTAL - DENSITY CONTROL

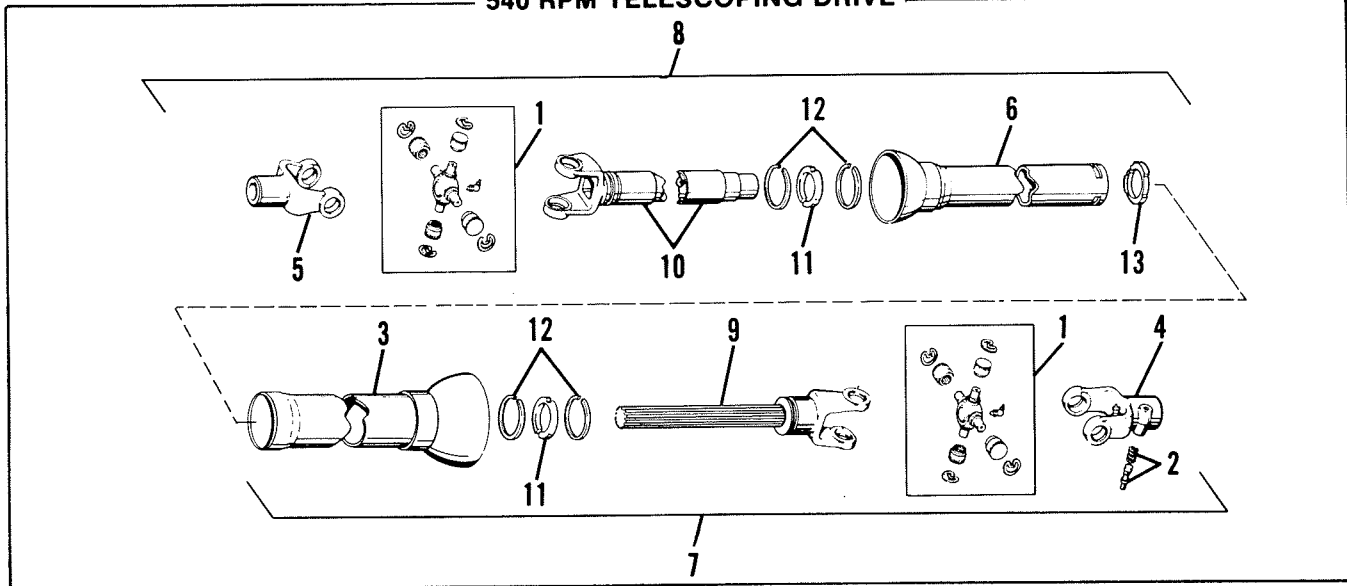
REF. NO.	PART NO.	PART NAME	NO. REQ.	REF. NO.	PART NO.	PART NAME	NO. REQ.
01	070630	PRESSURE GAUGE.....	1	36	070625	HOSE 46".....	1
02	070627	90 FEMALE ELBOW.....	1	37	070621	HYDRAULIC TUBE.....	1
03	070626	HOSE 22".....	1	38	058613	HOSE 33".....	1
04	059453	CLAMP.....	1	39	064669	STRAIGHT UNION TEE.....	1
	650528	CS 3/8X2 (LN).....	1	40	070620	HOSE 34".....	1
05	072171	SPACER.....	1	41	070788	MANIFOLD BRACKET.....	1
06	072172	SPACER.....	1		650733	CS 5/16X2-1/2 (N,L).....	2
07	9H 240	CAP SCREW GR.2 1/2X1.....	2		650704	CS 3/8X1 (N,L).....	2
	570019	GREASE FITTING.....	2	42	540020	RETAINING RING.....	2
		(2) 1/2 L		43	070789	VALVE SPOOL.....	1
08	065663	WASHER.....	2	44	H 267A	WASHER.....	2
09	072168	TRIP ARM.....	1	45	059424	O-RING.....	2
10	074792	CYLINDER STRAP (USED AFTER SN12418)	1	46	076552	MANIFOLD.....	1
	650704	CB 3/8X1 (N,L).....	2	47	071741	STOP BRACKET.....	1
11	061529	WASHER.....	4		650492	CS 3/8X2-1/2 (2N).....	2
12	053342	OIL SEAL.....	4	48	071739	VALVE TRIP.....	1
13	051250	NEEDLE BEARING.....	2		650491	CS 3/8X1-1/4 (2N).....	1
14	070758	SPROCKET(16T).....	2	49	U 10014B	EXTENSION SPRING.....	1
15	077954	TIE ROD CYLINDER.....	2	50	076551	MANIFOLD-ASSEMBLED.....	1
		3X25 - ASSEMBLED (USED AFTER SN12418)			650535	CS 3/8X2-1/4 (LN).....	1
	070628A	WELDED CYLINDER.....	2	51	070633B	CARTRIDGE VALVE.....	1
		3X25 - ASSEMBLED (USED BEFORE SN12419)		52	070777	300 PSI GAUGE.....	1
16	070765	PIN.....	2	53	651022	PIPE NIPPLE 1/4 X 4".....	1
17	070779	ACCUMULATOR STRAP.....	2	54	076788	1/4 FEMALE UNION.....	1
18	056773	HOSE CLAMP (SIX USED BEFORE SN12419)	5	55	067458	90 MALE ELBOW.....	1
	650488	CS 3/8X3/4 (N,L).....	2	56	070619	90 MALE ELBOW.....	1
19	B 11343	WASHER.....	2	57	056081	FEMALE QUICK-DISCONNECT...	1
	650704	CB 3/8X1 (N,L,P).....	1	58	056080	MALE QUICK-DISCONNECT.....	1
	650773	CB 3/8X1-1/2 (N,L,3P).....	1	59	070768	CYLINDER STRAP (USED BEFORE SN12419)	1
20	070612	TANK VALVE.....	1	60	071156	SPACER (USED BEFORE SN12419)	1
21	070644	SLEEVE.....	2	61	070767	SUPPORT ANGLE (USED BEFORE SN12419)	1
22	070610	MALE 90 UNION.....	2		652053	CB 3/8X2 (N,L,2P).....	1
23	055896	O-RING.....	2	62	071415	VAC RELIEF FITTING.....	1
24	070775	90 ELBOW.....	1	63	074779	ANCHOR CAP.....	1
25	070638	RELIEF VALVE 250 PSI.....	1	64	077950	SERVICE KIT.....	1
26	070752	O-RING.....	1	65	064331	3/4 LN.....	1
27	070609	ADAPTER.....	1	66	077949	PISTON.....	1
28	070611	OIL LEVEL TUBE.....	1	67	077958	TDC TUBE.....	1
29	076565	RESERVOIR.....	1	68	077955	TIE ROD.....	4
		(INCLUDES 071588 MAGNET)				(4) 1/2LN	
30	B 11162B	WASHER.....	5	69	077952	ROD CAP.....	1
31	042598	90 SWIVEL ADAPTER UNION...	1	70	077956	TDC CYLINDER ROD.....	1
32	070778	ANGLE.....	1				
33	074793	SUPPORT ANGLE (USED AFTER SN12418)	1				
34	070757	SPACER.....	2				
	650710	CS 5/8X2-1/4 (N,L,4P).....	2				
35	070631	HOSE 15".....	1				

A FOR SEAL KIT, ORDER 071723.

B FOR SEAL KIT, ORDER 072855. FOR SERVICE, ORDER KIT 076699 WHICH INCLUDES STEEL BALL & INSTRUCTIONS.

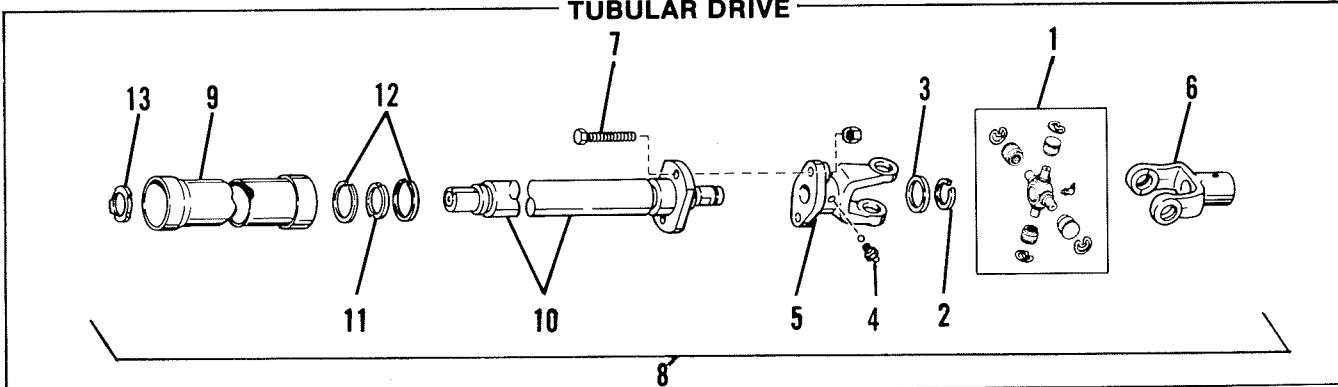
# RB1860 - UNIVERSAL DRIVES

## 540 RPM TELESCOPING DRIVE



Ref. No.	Part No.	Part Name	No. Req.	Ref. No.	Part No.	Part Name	No. Req.
1	045327	Center Cross Kit	2	8	061125	Universal Joint w/ Spline Tube - Assembled	1
	570014	Grease Fitting	2	9	061126	Yoke w/ Spline Shaft	1
2	053865	Lockpin & Spring	1	10	061127	Yoke w/ Spline Tube	1
3	055354	Female Guard	1	11	510023	Nylon Bearing	1
4	055355	Tractor Yoke (6 Spline)	1	12	510100	Bearing Retainer	4
5	055356	Yoke (1-5/16 Bore)	1	13	510215	Nylon Centralizer	1
6	055358	Male Guard	1				
7	061124	Universal Joint w/ Spline Shaft - Assembled	1				

## TUBULAR DRIVE



Ref. No.	Part No.	Part Name	No. Req.	Ref. No.	Part No.	Part Name	No. Req.
1	045327	Center Cross Kit	2	8	059576	Tubular Drive - Assembled	1
	570014	Grease Fitting	2	9	059578	Guard Tube	1
2	045882	Retaining Ring	1	10	059577	Drive Shaft	1
3	045883	Washer	1	11	510023	Nylon Bearing	2
4	059579	Lube Fitting & Ball	1	12	510100	Bearing Retainer	2
5	059580	Shear Yoke	1	13	510215	Centralizer Bearing	1
6	059581	Yoke	1				
7	061700A	Shear Bolt 5/16 x 1-3/4 Grade 2... (540 RPM)	1				
	066285B	Shear Bolt 5/16 x 1-1/2 Grade 2... (1000 RPM)	1				
		(1) 5/16 LN					

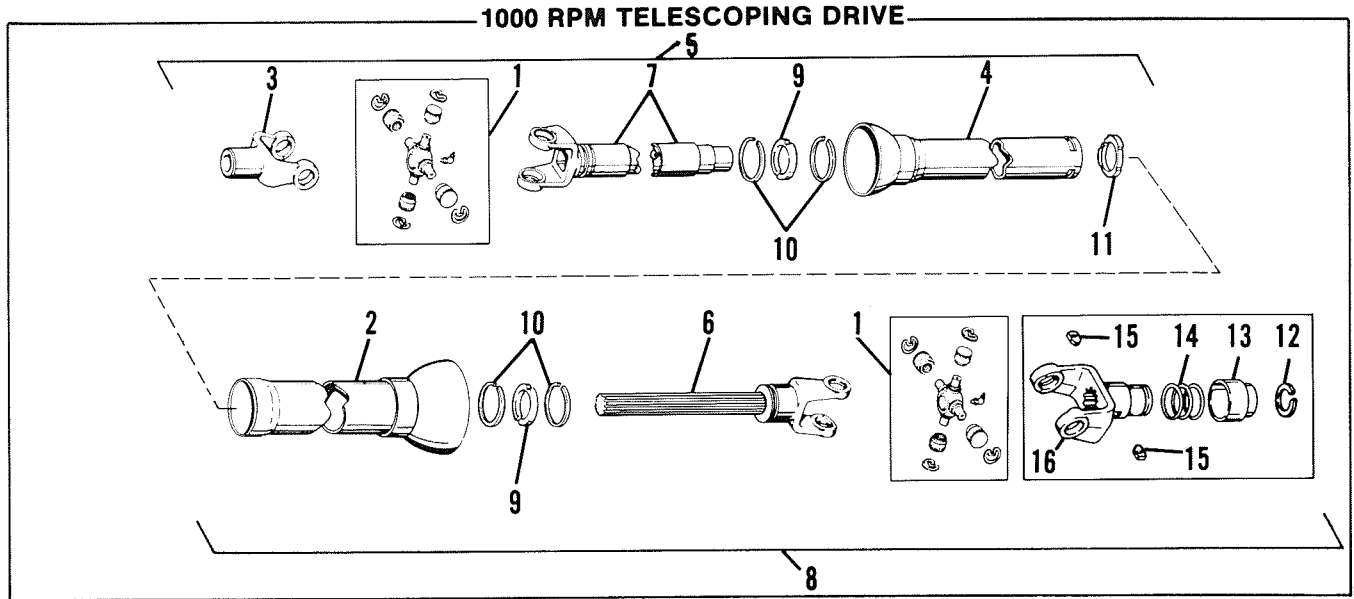
**A** For Replacement 540 RPM Shear Bolts, order Kit 900015 (containing 8 Bolts).

**B** For Replacement 1000 RPM Shear Bolts, order Kit 902261 (containing 8 Bolts).

Revised 6/84

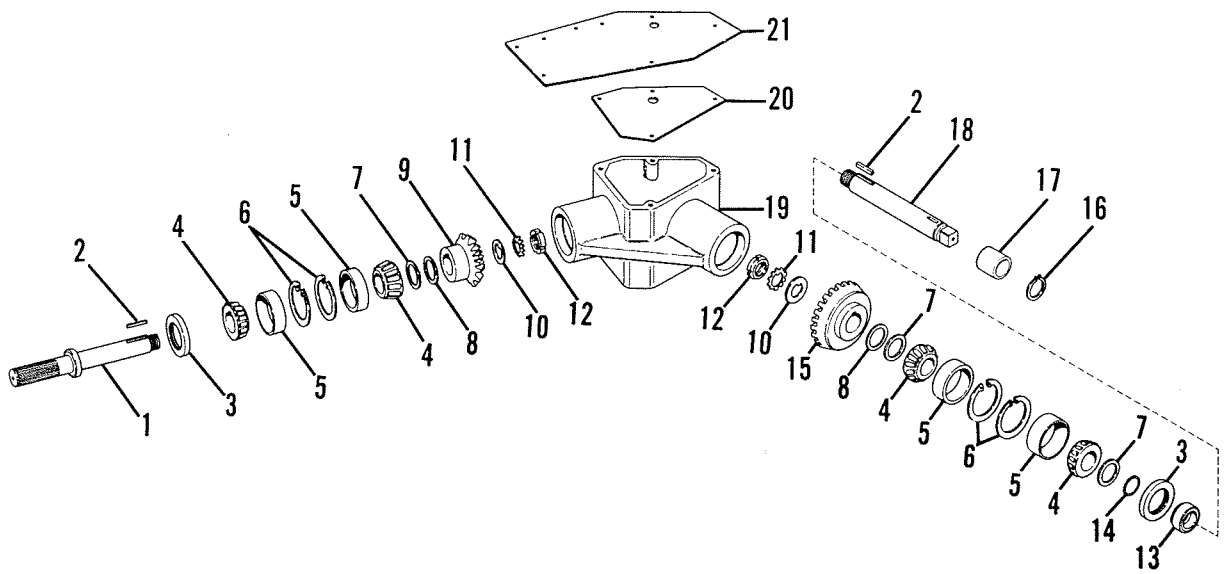
Insert For 903291 (pg. 30) & 903416 (pg. 26)

# RB1860 - UNIVERSAL DRIVES



Ref. No.	Part No.	Part Name	No. Req.	Ref. No.	Part No.	Part Name	No. Req.
1	045327	Center Cross Kit	2	9	510023	Nylon Bearing	2
	570014	Grease Fitting	2	10	510100	Bearing Retainer	4
2	055354	Female Guard	1	11	510215	Nylon Centralizer	1
3	055356	Yoke - (1-5/16 Bore)	1	12	510226	Retaining Ring	1
4	055358	Male Guard	1	13	510227	Collar	1
5	061125	Universal Joint w/Spline Tube - Assembled	1	14	510228	Spring	1
6	061126	Yoke w/Spline Shaft	1	15	510229	Pawl	2
7	061127	Yoke w/Spline Tube	1	16	510233	Slide Lock Yoke	1
8	067173	Universal Joint w/Spline Shaft - Assembled	1				

# RB1860 - TRANSMISSION



Ref. No.	Part No.	Part Name	No. Req.	Ref. No.	Part No.	Part Name	No. Req.
	076106	Transmission - Assembled	1	13	059562	Hub	1
		Consists of:		14	059563	O-Ring	1
1	059569	Drive Shaft	1	15	066252	Transmission Gear (24T)	1
2	059566	Key 3/8 Sq. x 1-1/2	2	16	054161	Snap Ring	1
3	059572	Oil Seal	2	17	076107	Disposable Shipping Spacer	1
4	059565	Bearing Cone	4	18	065728	Drive Shaft	1
5	059564	Bearing Cup	4	19	059554	Transmission Housing	1
6	059567	Internal Snap Ring	4		660004	1/2 Pipe Plug	1
7	060516	Shim Washer (0.036) . . . . . As Req'd		20	059574	Transmission Gasket	1
8	060515	Shim Washer (0.015) . . . . . As Req'd		21	065729	Transmission Cover (for 1860)	1
9	066253	Transmission Gear (15T)	1		066254	Transmission Cover (for 1460)	1
10	065731	Tongued Washer	2		570016	Relief Fitting	1
11	065730	Lock Washer	2		650486	CS 5/16 x 3/4 (L)	4
12	520000	Lock Nut	2				

**071117  
Hitchjack - Assembled  
(Later Style)**

Ref. No.	Part No.	Part Name	No. Req.
	071117	Hitchjack - Assembled . . . . .	1
		(Later Style)	
		Consists of:	
1	076867	Inside Tube . . . . .	1
2	076866	Crank . . . . .	1
3	076868	Outside Tube . . . . .	1
4	061276	Pin & Chain . . . . .	1

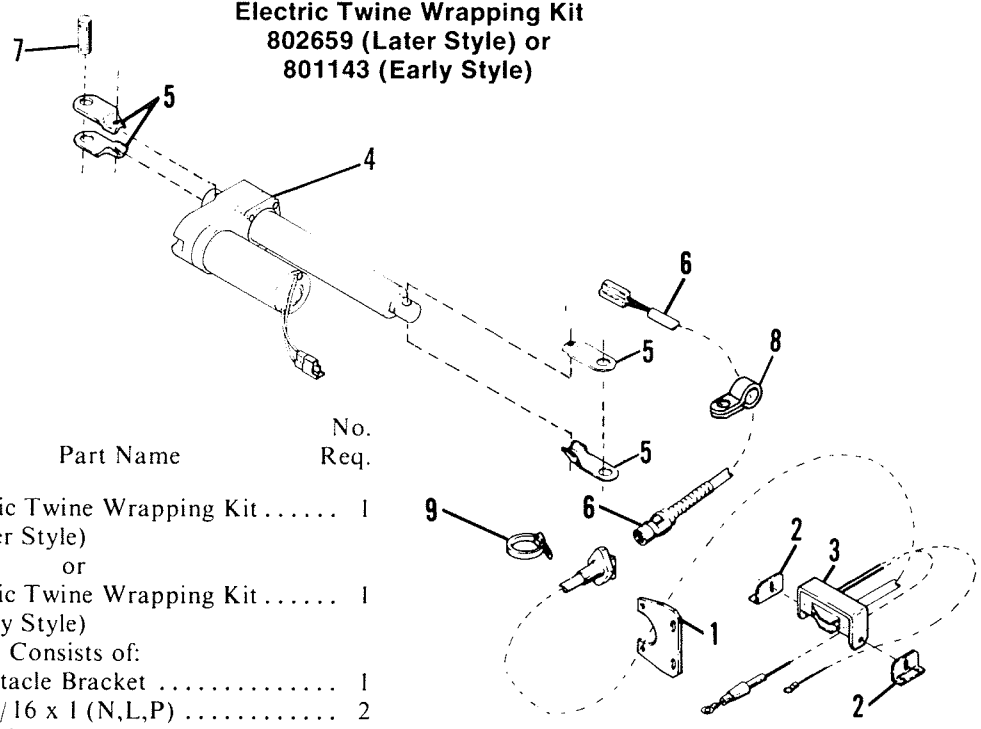
**071117  
Hitchjack - Assembled  
(Early Style)**

Ref. No.	Part No.	Part Name	No. Req.
	071117	Hitchjack - Assembled . . . . .	1
		Consists of:	
1	061276	Pin & Chain . . . . .	1
2	061341	Inside Tube . . . . .	1
3	061342	Outside Tube . . . . .	1
4	055682	Crank Assembly . . . . .	1
5	071271	Jack Repair Kit . . . . .	1
		(Includes a Crank Pin, Pushnut, Thrust Washer, Ball & Cage Bearing, Felt Spacer and a Support Washer)	

**IMPORTANT: Order by Part Number - DO NOT use Illustration Reference Numbers.**

# RB1860 - OPTIONS & ACCESSORIES

## Electric Twine Wrapping Kit 802659 (Later Style) or 801143 (Early Style)

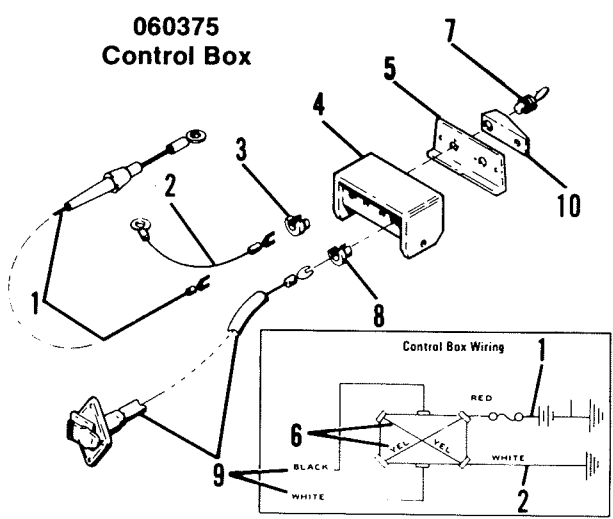


Ref. No.	Part No.	Part Name	No. Req.
	802659	Electric Twine Wrapping Kit . . . . .	1
		(Later Style)	
		or	
	801143A	Electric Twine Wrapping Kit . . . . .	1
		(Early Style)	
		Consists of:	
1	059052	Receptacle Bracket . . . . .	1
	650487	CS 5/16 x 1 (N,L,P) . . . . .	2
2	059053	Mounting Bracket . . . . .	2
	650448	CS 1/4 x 3/4 (N,L) . . . . .	4
3	060375A	Control Box - Assembled . . . . .	1
	650260	THMS 1/4 x 1/2 (N,L) . . . . .	2
4	077093A	Actuator - Assembled . . . . .	1
		(Later Style)	
		or	
	061058A-B	Actuator - Assembled . . . . .	1
		(Early Style)	
5	061059	Yoke Clip . . . . .	4
	650585	CS 1/2 x 2 (LN) . . . . .	2

Ref. No.	Part No.	Part Name	No. Req.
6	061060	Power Cable . . . . .	1
	650448	CS 1/4 x 3/4 (N,L) . . . . .	2
7	061061	Cylinder Pin . . . . .	1
	655024	Cotter Pin 3/16 x 2 . . . . .	2
8	061062	Wire Clamp . . . . .	5
	650490	CS 3/8 x 1 (LN,P) . . . . .	3
9	063592	Wire Wrap . . . . .	1

A For repair, see separate breakdown.  
 B For complete unit replacement, order Later Style Actuator 077093.

## 060375 Control Box

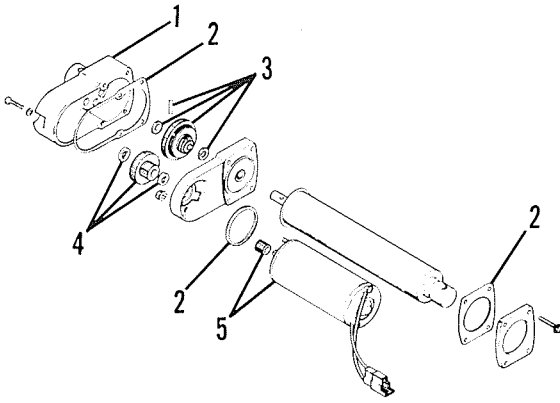


Ref. No.	Part No.	Part Name	No. Req.
1	057778	Power Cord . . . . .	1
2	057779	Ground Cable . . . . .	1
3	057781	Bushing . . . . .	1
4	059055A	Box . . . . .	1
	650702	RHSMS #6 x 3/8 . . . . .	2
5	059059	Switch Plate . . . . .	1
	650261	THMS 1/4 x 1/2 (N,L,3P) . . . . .	1
6	059064	Cable (Yellow) . . . . .	1
7	059299	Toggle Switch . . . . .	1
8	059321	Strain Relief Bushing . . . . .	1
9	060376	Tractor Cable . . . . .	1
10	060972	Toggle Guard . . . . .	1

A For replacement, order Box 069255, Backplate 069257 & Two RHSMS 650702.

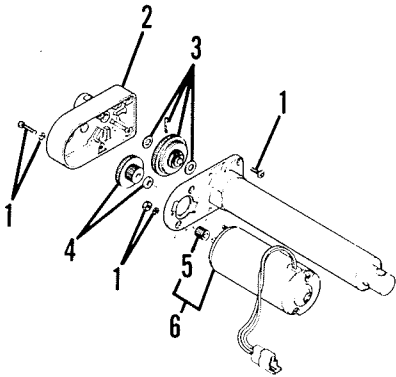


**077093**  
**Electric Actuator**  
**(Later Style)**



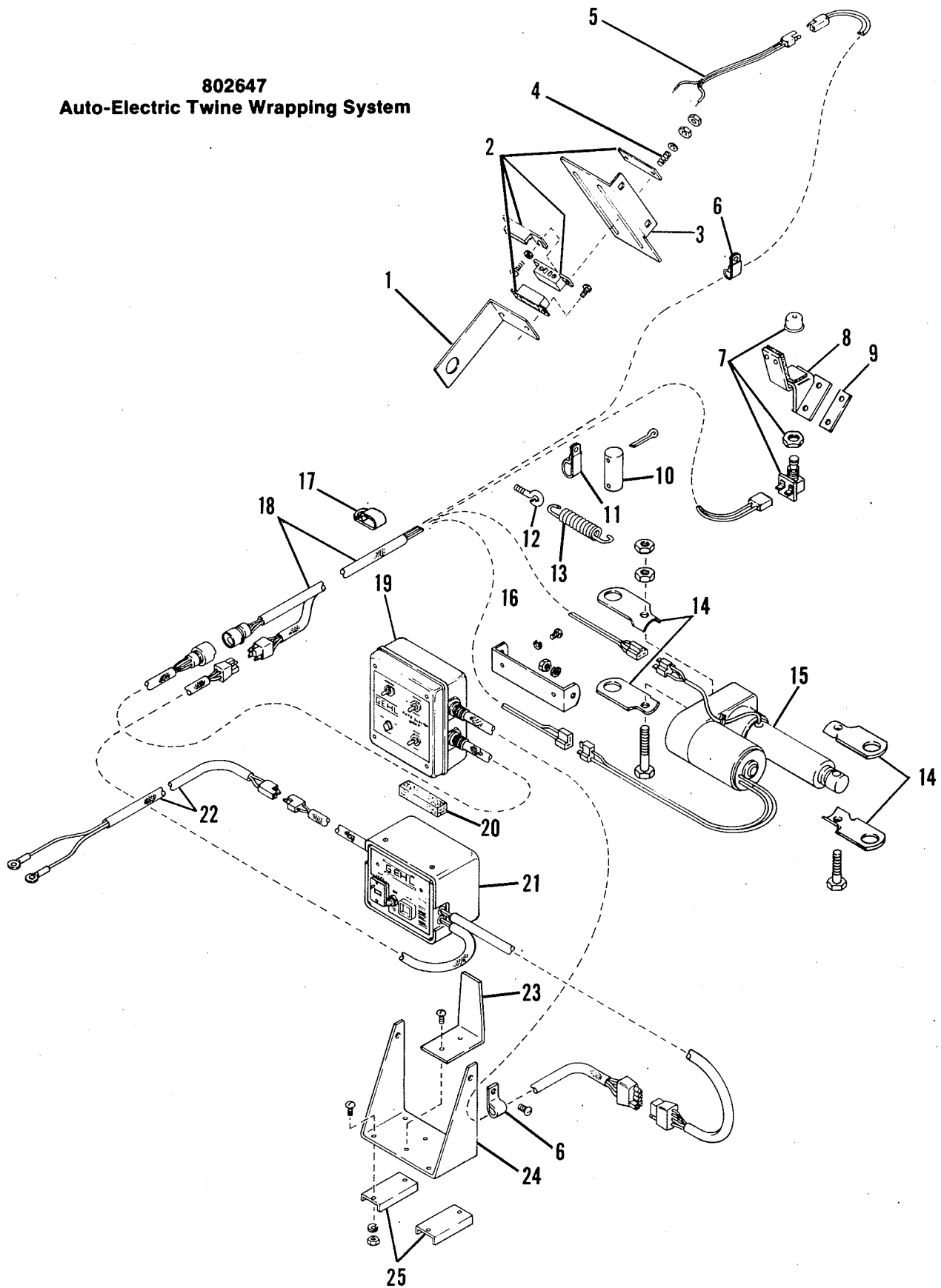
Ref. No.	Part No.	Part Name	No. Req.
	077093	Electric Actuator . . . . .	1
		Consists of:	
1	077098	Rear Housing . . . . .	1
2	077097	Seal Kit . . . . .	1
		Including (1) Cover Tube Gasket, O-ring & Lip Seal, Motor Seal & Gasket (between Housings)	
3	077096	Clutch . . . . .	1
		Including (2) Washers & (1) Pin	
4	077095	Intermediate Gear . . . . .	1
		Including (2) Washers	
5	077094	Motor with Pinion . . . . .	1

**061058**  
**Electric Actuator**  
**(Early Style)**



Ref. No.	Part No.	Part Name	No. Req.
	061058	Electric Actuator - Assembled . . . . .	1
		Consists of:	
1	071101	Screw Package . . . . .	1
		Including (6) 3/16 x 5/8 THMS, (1) 3/16 x 1 THMS & (2) L	
2	071100	Rear Housing . . . . .	1
3	071099	Clutch Assembly . . . . .	1
		Including (1) 72T Gear, (1) Pin & (2) Shim Washers	
4	071103	Idler Gear . . . . .	1
5	071102	Pinion Gear . . . . .	1
6	071104	Motor & Pinion . . . . .	1

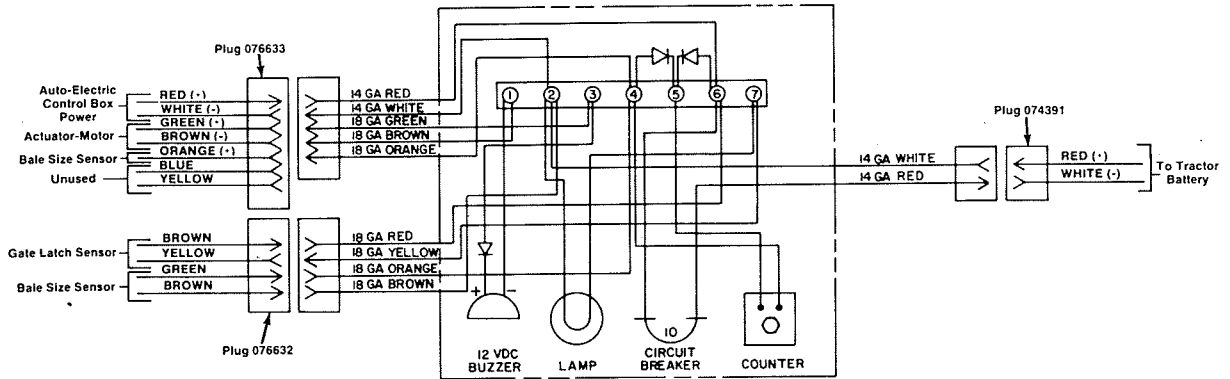
**802647**  
**Auto-Electric Twine Wrapping System**



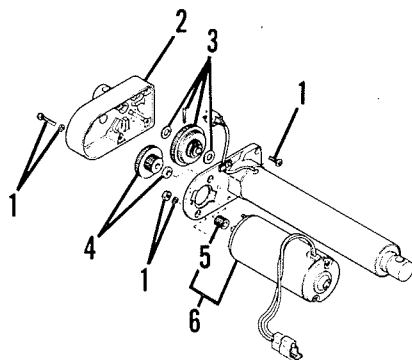
## RB1860 - OPTIONS & ACCESSORIES

Ref. No.	Part No.	Part Name	No. Req.	Ref. No.	Part No.	Part Name	No. Req.
	802647	Auto-Electric Twine Wrapping System.....	1	14	076661	Yoke Clip .....	4
		Consists of:			650585	CS 1/2 x 2 (LN).....	1
1	076671	Magnet Mount.....	1		650850	CS 1/2 x 2-3/4 (LN) .....	2
	650394	RHMS #6-32 x 1/2 (N,L,P).....	2	15	076634A	Automatic Actuator .....	1
2	074428	Magnetic Switch Assembly .....	1	16	076635	Control Box Bracket.....	1
	651034	RHMS #6-32 x 1-1/4 (N,P).....	4		650936	RHMS #8-32 x 1/2 (L).....	2
3	076669	Magnetic Switch Mount .....	1	17	067880	Hose Clamp .....	1
	650949	THMS 5/16 x 3/4 (N,L) .....	2	18	076633	Control Box Extension Cable .....	1
4	U10023	Spring .....	2	19	076632	Control Box .....	1
5	076670	Switch Plug .....	1	20	076638	Foam Pad .....	1
6	058615	Hose Clamp .....	2	21	076639A	Indicator (Horn) Box - Assembled .....	1
7	076668	Plunger Switch.....	1	22	074391	Tractor Power Cable.....	1
8	076662	Switch Mount .....	1	23	076637	Strap .....	1
	650486	CS 5/16 x 3/4 (N,L).....	2		650548	RHMS #10-24 x 1/2 (N,L).....	2
9	052588	Plunger Switch Shim .....	1	24	076636	Mounting Bracket .....	1
10	061061	Cylinder Pin .....	1		650943	THMS 1/4 x 1/2 (N,L) .....	2
	655024	Cotter Pin 3/16 x 2 .....	2	25	067040	Magnet .....	2
11	059075	Hose Clamp .....	2		650548	RHMS #10-24 x 1/2 (N,L).....	4
12	061858	Eyebolt .....	1				
		(2) 5/16 N					
13	071999	Extension Spring .....	1				

A For components, see separate Breakdown.



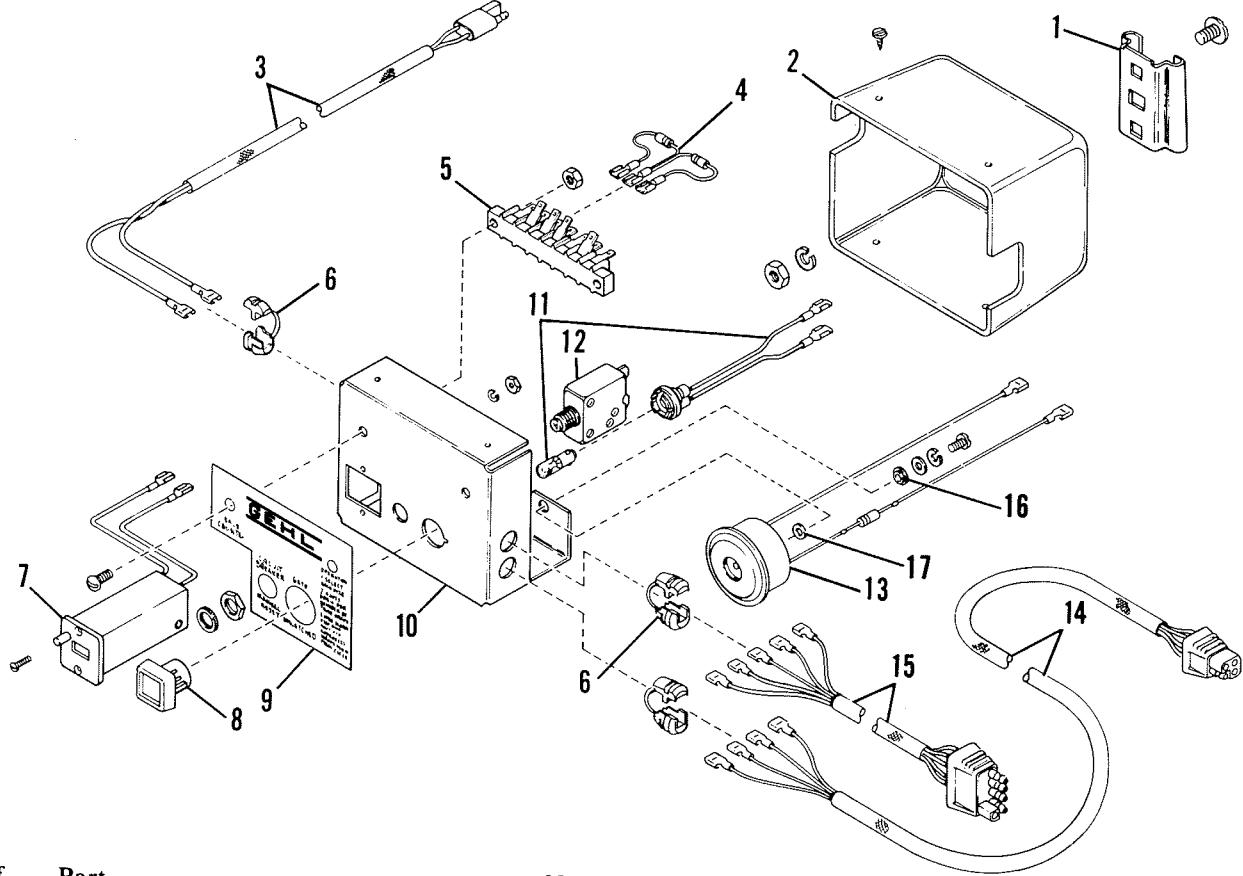
### 076634 Auto-Electric Actuator



Ref. No.	Part No.	Part Name	No. Req.
	076634	Auto-Electric Actuator.....	1
		Consists of:	
1	071101	Screw Package.....	1
		Including (6) 3/16 x 5/8 THMS, (1) 3/16 x 1 THMS & (2) L	
2	071100	Rear Housing.....	1
3	071099	Clutch Assembly .....	1
		Including (1) 72T Gear, (1) Pin & (2) Shim Washers	
4	071103	Idler Gear .....	1
5	071102	Pinion Gear .....	1
6	076594	Motor & Pinion.....	1

# RB1860 - OPTIONS & ACCESSORIES

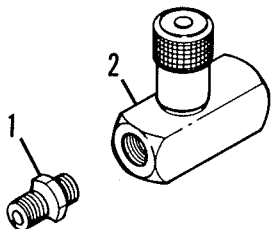
## 076639 Horn & Indicator Control Box - Assembled



Ref. No.	Part No.	Part Name	No. Req.	Ref. No.	Part No.	Part Name	No. Req.
	076639	Control Box - Assembled	1	8	076649	Lens	1
		Consists of:		9	076645	Panel Decal	1
1	047269	SMV Mounting	1	10	076640	Box Cover	1
	650947	THMS 5/16 x 1/2 (N,L)	2	11	076650A	Light	1
2	074584	Box	1	12	076652	Circuit Breaker	1
	650289	#8 Tapping Screw	4	13	076653	Horn	1
3	076643	Power Cable	1	14	076641	Electric Cable	1
4	076658	Rectifier	1	15	076642	Electric Cable	1
5	076644	Terminal Block	1	16	076655	Shoulder Washer	1
	650386	RHMS #8-32 x 1 (N,L)	2	17	076656	Nylon Washer	1
6	057781	5K-4 Bushing	3				
7	076646	Bale Counter	1				

A For replacement Bulb, order 073696 (type 1891) Bulb.

## 802746 Flow Control Valve Kit



Ref. No.	Part No.	Part Name	No. Req.
	802746	Flow Control Valve Kit	1
		Consists of:	
1	062910	Nipple - 1/2 NPTF	1
2	076592	Flow Control Valve	1

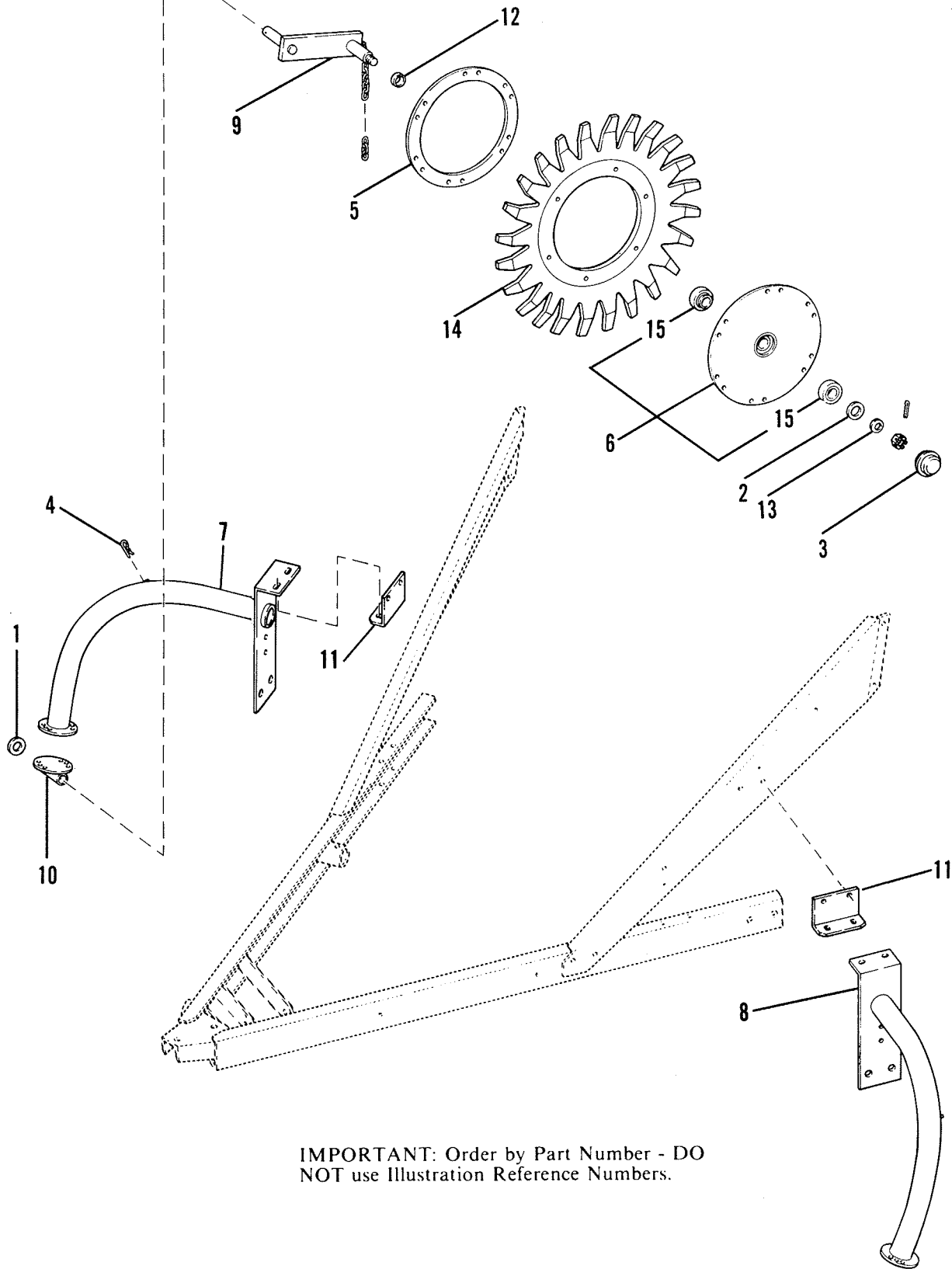
**802423**  
**Audible Bale Size Indicator Kit**

Ref. No.	Part No.	Part Name	No. Req.
	802423	Audible Bale Size Indicator Kit....	1
Consists of:			
1	074428	Switch & Magnet Assemblies .....	1
	650327	RHMS #6-32 x 3/4 (8N,P).....	4
2	074422	Switch Mount .....	1
	650486	CS 5/16 x 3/4 .....	1
3	074419	Magnet Base.....	1
	650491	CS 3/8 x 1-1/4 (N,L,P) .....	2
4	058615	Clamp .....	3
5	074429	2-Pole Connector w/300" of #8 AWG Wire .....	1
6	074426A	Audible Bale Size Indicator .....	1

▲ Powered by one 9-volt D.C. Alkaline Transistor Radio-type Battery (Purchased Locally).

**IMPORTANT: Order by Part Number - DO NOT use Illustration Reference Numbers.**

802232  
Crowder Wheel Kit

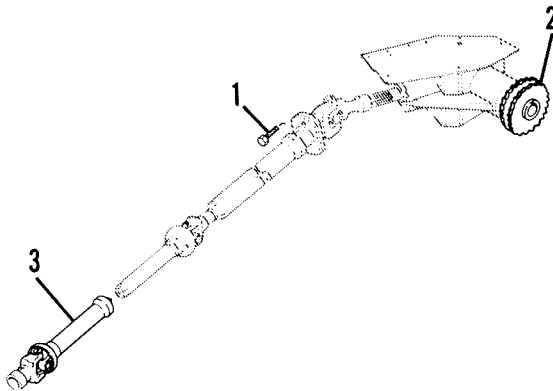


IMPORTANT: Order by Part Number - DO NOT use Illustration Reference Numbers.

## RB1860 - OPTIONS & ACCESSORIES

Ref. No.	Part No.	Part Name	No. Req.	Ref. No.	Part No.	Part Name	No. Req.
	802232	Crowder Wheel Kit .....	1	9	072651	Arm Pivot .....	2
		Consists of:			655018	Cotter Pin 3/16 x 1-1/4 .....	2
1	D932A	Washer .....	2		655022	Cotter Pin 3/16 x 1-3/4 .....	2
2	B11162B	Washer .....	2		(2) 3/4 NF SN		
3	064415	Dust Cap .....	2	10	072655	Pivot Tube .....	2
4	071858	Hairpin Cotter Pin .....	2		570014	Grease Fitting .....	2
5	072627	Rubber Wheel Backup .....	2		650490	CS 3/8 x 1 (N,L) .....	4
6	072641	Wheel Hub - Assembled .....	2	11	072658	Support Bracket .....	2
	650692	CS 5/16 x 1-3/4 (LN) .....	12		650490	CS 3/8 x 1 (N,L) .....	4
7	072645	Right Wheel Support .....	1	12	072659	Spacer .....	2
	650491	CS 3/8 x 1-1/4 (N,L,4P) .....	2	13	072660	Spring Washer .....	2
8	072650	Left Wheel Support .....	1	14	073234	Crowder Wheel .....	2
	650491	CS 3/8 x 1-1/4 (N,L,4P) .....	2	15	520064	Ball Bearing .....	4

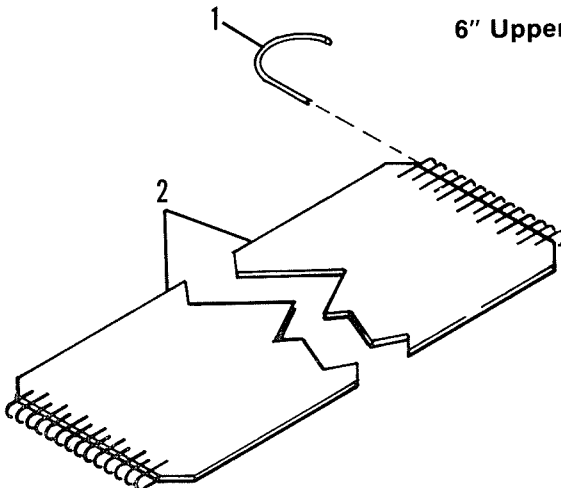
### 801552 1000 RPM Conversion Kit



Ref. No.	Part No.	Part Name	No. Req.
	801552	1000 RPM Conversion Kit .....	1
		Consists of:	
1	066285A	Shear Bolt 5/16 x 1-1/2 Grade 2 ... (1) 5/16 LN	1
2	067170	Double Sprocket (14/14T) .....	1
3	067173A-B	Universal Joint w/ Spline Shaft - Assembled .....	1

**A** For replacement Shear Bolts, order Kit 902261 (containing 8 Bolts).  
**B** For service, see pages titled Universal Drives.

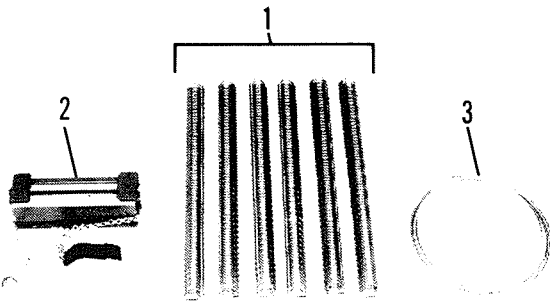
### 073743 6" Upper Belt Dutchman Kit



Ref. No.	Part No.	Part Name	No. Req.
	073743	6" Upper Belt Dutchman Kit .....	1
		Consists of:	
1	059803	6" Belt Pin .....	1
2	073742	6" Dutchman Belt .....	1

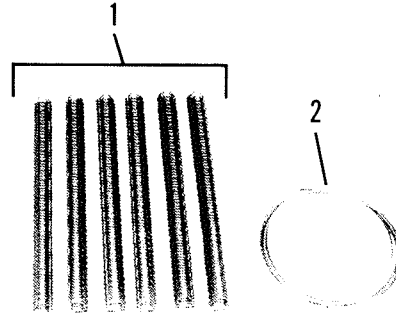
# RB1860 - OPTIONS & ACCESSORIES

## 802700 Re-lacing Kit



Ref. No.	Part No.	Part Name	No. Req.
	802700	Re-lacing Kit .....	1
		Consists of:	
1	058398	#4-1/2 Clipper Hook Card .....	6
2	076764	Vice Lacer .....	1
3	060345	Cable - 72" .....	1

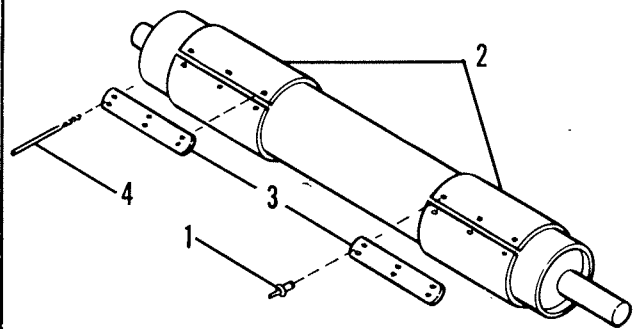
## 073390 Lacing Kit



Ref. No.	Part No.	Part Name	No. Req.
	073390	Lacing Kit .....	1
		Consists of:	
1	058398	#4-1/2 Clipper Hook .....	6
2	060345	Cable - 72" .....	1

IMPORTANT: Order by Part Number - DO NOT use Illustration Reference Numbers.

## 068633 Packing Roller Lagging Kit



Ref. No.	Part No.	Part Name	No. Req.
	068633	Packing Roller Lagging Kit .....	1
		Consists of:	
1	068846	Rivet .....	36
2	068847	Lagging .....	2
3	068848	Strip Cover .....	4
4	068849	Drill Bit - 13/64 Dia. ....	1



**801782  
Bale Counter Kit**

Ref. No.	Part No.	Part Name	No. Req.
	801782	Bale Counter Kit .....	1
Consists of:			
1	17H387	Spring .....	1
	650426	CS 1.4 x 1-1.4 (N) .....	1
	650618A	STS 5/16 x 5/8 .....	1
2	066764	Bracket .....	2
	650618	STS 5/16 x 5/8 .....	4
3	066765	Counter .....	1
4	068210A	Counter Base .....	1

**A NOT** used on RB1460 Baler.

**801087  
Dual Hydraulics Kit**

Ref. No.	Part No.	Part Name	No. Req.
	801087	Dual Hydraulics Kit .....	1
Consists of:			
1	060597	Double Selector Valve .....	1
	650818	CS 3/8 x 2 (N,L) .....	2
2	060598	Hose .....	2
3	060599	Nipple - 3/4 Hexagon .....	4
4	060600	Union .....	4

**801088  
Hydraulic Twine Wrapping Kit**

Ref. No.	Part No.	Part Name	No. Req.
	801088	Hydraulic Twine Wrapping Kit ...	1
Consists of:			
1	059539	Hose - 3/8 x 120" .....	2
2	060471	Klik Pin .....	1
3	060626A	Hydraulic Cylinder - 8" Stroke - 3" Bore .....	1
4	060629	Attachment Pin .....	1

**A** For Seal Kit, specify Part #060627.

# RB1860 - NUMERICAL INDEX

PART NO.	PAGE NO.	REF. NO.	PART NO.	PAGE NO.	REF. NO.	PART NO.	PAGE NO.	REF. NO.	PART NO.	PAGE NO.	REF. NO.
6H130	23	01	<b>040000</b>			055690	08	07	059113	21	02
C133	09	10	041499	20	06	055691	08	08	059272	08	11
17H140	13	08	041499	23	05	055692	08	09	059299	30	07
9H240	17	46	041881	11	32	055896	25	23	059321	30	08
9H240	25	07	042135	11	41	056080	25	61	059424	25	48
H267A	09	22	042158	17	43	056081	25	60	059453	25	04
H267A	25	47	042598	25	31	056145	09	07	059539	21	03
17H281	11	53	044116	05	04	056211	08	10	059539	39	01
9H300	07	25	045327	26	01	056249	11	33	059554	28	19
9H300	09	13	045327	26	01	056336	15	30	059562	28	13
9H300	13	18	045327	27	01	056345	17	33	059563	28	14
9H300	15	07	045582	07	09	056378	05	35	059564	28	05
17H349	17	07	045882	26	02	056773	25	18	059565	28	04
17H361	17	31	045883	26	03	057122	05	36	059566	28	02
17H387	39	01	045998	07	02	057146	05	32	059567	28	06
D932A	08	02	046000	07	05	057179	15	18	059569	28	01
D932A	37	01	046001	07	11	057179	19	13	059572	28	03
H6053B	05	34	046754	08	06	057179	23	10	059574	28	20
H6094	08	03	046754	23	09	057185	12	16	059576	08	12
H6094	11	45	047269	23	06	057350	17	32	059579	26	04
H6094	21	01	047269	34	01	057351	17	34	059580	26	05
H6172	08	04	048459	17	13	057388	05	21	059581	26	06
H7125	11	35	049038	08	37	057422	13	26	059650	19	31
H7165	09	18	<b>050000</b>			057512	11	19	059651	19	29
H7165	15	16	051250	17	59	057617	17	17	059692	05	45
H7812	17	11	051250	25	13	057778	30	01	059692	08	13
H8054	08	05	051525	15	17	057779	30	02	059708	13	21
H8330	13	17	051525	19	12	057781	30	03	059720	15	09
H8334	11	13	051916	20	22	057781	34	06	059721	05	06
H8334	15	02	052205	17	30	057911	07	07	059721	11	50
H8334	19	02	052588	05	43	057919	13	12	059721	13	24
H8334	23	03	052588	33	09	057920	13	13	059729	08	14
H8354	11	16	053342	17	58	057965	19	18	059734	08	16
U10014B	11	52	053342	25	12	057980	15	11	059754	08	17
U10014B	23	04	053688	11	05	058326	05	09	059756	08	18
U10014B	25	52	053865	26	02	058357	17	09	059757	08	19
U10023	33	04	053900	09	03	058398	38	01	059765	08	20
U10063	09	04	054161	28	16	058398	38	01	059766	08	21
B11069	05	07	054353	17	50	058421	07	12	059776	07	30
B11069	13	23	054586	05	20	058489	17	03	059799	05	03
B11090	20	26	054959	05	02	058539	09	20	059803	37	01
B11162B	17	01	055142	15	10	058613	25	41	<b>060000</b>		
B11162B	25	30	055354	26	03	058615	33	06	060295	08	22
B11162B	37	02	055354	27	02	058615	34	04	060345	38	03
B11343	23	28	055355	26	04	058807	11	22	060345	38	02
B11343	25	19	055356	26	05	059052	30	01	060375	30	03
B11433A	15	24	055356	27	03	059053	30	02	060376	30	09
M12361	13	25	055358	26	06	059055	30	04	060387	05	24
R13216	20	11	055358	27	04	059059	30	05	060471	39	02
C14121	17	48	055447	17	47	059064	30	06	060515	28	08
S16215	19	25	055682	29	04	059075	33	11	060516	28	07

## RB1860 - NUMERICAL INDEX

PART NO.	PAGE NO.	REF. NO.	PART NO.	PAGE NO.	REF. NO.	PART NO.	PAGE NO.	REF. NO.	PART NO.	PAGE NO.	REF. NO.
060597	39	01	065679	09	19	066490	11	26	070612	25	20
060598	39	02	065703	09	14	066492	11	37	070614	19	24
060599	39	03	065721	08	29	066511	11	01	070617	19	09
060600	39	04	065728	28	18	066526	11	07	070617	23	16
060626	39	03	065729	28	21	066528	11	10	070619	25	59
060627	39	05	065730	28	11	066531	11	09	070620	25	43
060629	39	04	065731	28	10	066532	11	08	070621	25	40
060972	30	10	065811	15	28	066533	11	15	070625	25	39
060979	08	23	066160	15	20	066537	09	02	070626	25	03
061006	08	24	066173	15	26	066540	09	01	070627	25	02
061058	30	04	066174	15	27	066542	09	06	070628	25	15
061058	31		066178	19	07	066554	26	09	070630	25	01
061059	30	05	066181	15	03	066555	26	10	070631	25	38
061060	30	06	066181	19	03	066651	07	01	070633	25	54
061061	30	07	066181	23	07	066764	39	02	070636	05	13
061061	33	10	066182	19	23	066765	39	03	070638	25	25
061062	30	08	066183	19	06	067040	33	25	070643	15	22
061124	08	25	066183	23	02	067166	08	38	070644	25	21
061124	26	07	066208	20	14	067170	37	02	070645	23	17
061125	08	26	066221	20	02	067173	27	08	070691	13	02
061125	26	08	066226	20	04	067173	37	03	070692	05	31
061125	27	05	066252	28	15	067458	25	58	070695	05	37
061126	26	09	066253	28	09	067491	21	14	070700	15	21
061126	27	06	066254	28	21	067516	11	06	070701	15	15
061127	26	10	066260	21	04	067880	21	15	070702	19	15
061127	27	07	066284	26	08	067880	33	17	070705	19	30
061276	29	04	066285	26	07	068210	39	04	070708	19	28
061276	29	01	066285	37	01	068633	38		070710	19	08
061341	29	02	066309	15	05	068846	38	01	070720	08	32
061342	29	03	066309	19	05	068847	38	02	070721	15	08
061501	12	18	066309	23	08	068848	38	03	070730	15	12
061509	15	19	066364	23	11	068849	38	04	070736	17	10
061509	19	14	066365	23	12	069255	30	09	070749	17	51
061529	17	49	066369	23	13	069257	30	09	070750	23	18
061529	25	11	066375	05	44	069531	11	24	070752	25	26
061700	08	27	066376	23	14	069792	17	29	070754	05	42
061700	26	07	066377	23	15	069793	17	28	070757	25	35
061708	13	19	066383	21	05	069794	17	27	070758	17	60
061711	15	23	066385	21	06	069797	12	01	070758	25	14
061809	20	07	066392	17	06	069847	17	24	070765	25	16
061858	33	12	066396	08	30				070767	25	34
062342	05	28	066398	17	35	070000			070768	25	10
062342	20	16	066429	21	10	070323	17	37	070775	25	24
062910	34	01	066431	21	11	070591	21	16	070777	25	55
063586	12	07	066432	21	12	070598	12	05	070778	25	32
063592	30	09	066452	21	13	070602	19	16	070779	25	17
064389	12	11	066462	05	10	070603	15	13	070788	25	44
064415	37	03	066480	11	25	070605	09	21	070789	25	46
064669	25	42	066487	11	31	070607	15	29	070791	12	12
065663	25	08	066487	12	10	070609	25	27	070795	12	13
065674	08	28	066489	11	28	070610	25	22	070796	12	21
						070611	25	28			

# RB1860 - NUMERICAL INDEX




PART NO.	PAGE NO.	REF. NO.	PART NO.	PAGE NO.	REF. NO.	PART NO.	PAGE NO.	REF. NO.	PART NO.	PAGE NO.	REF. NO.
070797	12	08	071660	15	25	075331	13	09	075626	05	39
070798	12	09	071739	25	51	075353	13	10	075627	05	29
070804	12	15	071741	25	50	075359	07	20	075629	05	38
070805	12	04	071858	37	04	075383	17	22	075641	05	12
070824	23	21	071884	09	11	075384	17	36	075642	05	11
070833	23	24	071886	09	12	075393	20	03	075650	11	47
070834	23	25	071999	17	42	075395	17	26	075651	11	40
070835	23	26	071999	33	13	075396	20	18	075688	13	06
070868	09	16	072032	07	19	075399	09	08	075689	17	12
070870	17	19	072033	07	27	075401	09	09	075691	17	21
070877	07	22	072035	07	18	075402	17	61	075700	17	55
070880	07	21	072069	17	15	075406	17	20	075701	17	56
071048	11	39	072168	25	09	075409	17	54	075702	17	57
071099	33	03	072171	25	05	075412	17	16	075703	05	47
071100	31	02	072172	25	06	075413	20	01	075705	17	45
071100	33	02	072174	20	19	075417	17	25	075713	12	19
071101	31	01	072478	07	26	075418	12	17	075717	12	20
071101	33	01	072554	11	29	075419	17	41	075729	20	10
071102	31	04	072557	11	21	075420	12	14	075730	17	44
071102	33	05	072624	07	10	075425	13	01	075733	05	33
071103	31	03	072627	37	05	075426	13	03	075742	19	10
071103	33	04	072641	37	06	075430	13	22	075742	37	02
071104	31	05	072645	37	07	075440	13	11	075743	37	03
071117	07	28	072650	37	08	075447	13	07	075829	09	05
071117	29		072651	37	09	075460	11	49	075937	13	15
071117	29		072655	37	10	075461	13	05	075941	13	14
071156	25	33	072658	37	11	075465	09	23	075945	13	16
071271	29	05	072659	37	12	075482	17	40	076106	08	31
071415	25	37	072660	37	13	075489	17	23	076106	28	16
071417	25	36	073172	05	41	075490	20	21	076107	28	17
071520	07	29	073234	37	14	075494	20	15	076112	21	08
071520	08	01	073390	38		075499	11	51	076113	21	09
071520	23	27	073696	34	06	075500	20	24	076132	21	07
071596	11	43	073722	17	18	075501	20	25	076133	21	17
071601	11	44	073846	11	04	075502	20	08	076417	19	17
071605	11	30	074027	17	39	075507	09	17	076440	17	04
071606	11	34	074028	17	38	075596	23	22	076470	20	23
071607	11	36	074391	33	22	075598	23	23	076494	20	09
071608	11	38	074408	15	14	075600	13	04	076499	17	14
071609	11	42	074419	34	03	075603	13	27	076502	17	05
071610	11	18	074422	34	02	075604	13	20	076504	17	08
071620	11	17	074426	34	06	075606	09	15	076505	17	02
071626	11	23	074428	33	02	075608	21	18	076524	05	46
071627	11	02	074428	34	01	075610	07	16	076528	05	08
071631	11	20	074429	34	05	075611	07	17	076531	05	05
071635	11	11	074584	34	02	075612	11	48	076538	05	01
071637	11	57	074667	20	20	075614	12	06	076540	05	15
071643	11	56	074669	20	17	075615	08	15	076541	05	14
071645	11	46	074963	19	21	075617	23	19	076546	05	23
071646	11	55	074964	19	20	075622	05	30	076547	05	26
071647	11	54	074966	19	22	075623	23	20	076548	17	52

## RB1860 - NUMERICAL INDEX

PART NO.	PAGE NO.	REF. NO.	PART NO.	PAGE NO.	REF. NO.	PART NO.	PAGE NO.	REF. NO.	PART NO.	PAGE NO.	REF. NO.
075626	05	39	076549	17	53	076788	25	57	520135	08	34
075627	05	29	076551	25	53	076821	07	23	520136	08	35
075629	05	38	076552	25	49	076866	29	02	520139	05	40
075641	05	12	076560	05	19	076867	29	01	520158	19	26
075642	05	11	076561	05	25	076868	29	03	520175	11	27
075650	11	47	076562	05	27	076890	13	22	520199	07	04
075651	11	40	076563	05	18	076892	13	26	520200	07	03
075688	13	06	076565	25	29	077093	30	04	520201	07	08
075689	17	12	076568	07	13	077093	31		540020	25	45
075691	17	21	076570	07	15	077094	31	05			
075700	17	55	076592	34	02	077095	31	04	<b>600000</b>		
075701	17	56	076594	33	06	077096	31	03	651022	25	56
075702	17	57	076595	07	24	077097	31	02	666002	08	36
075703	05	47	076632	33	19	077098	31	01	<b>800000</b>		
075705	17	45	076633	33	18				801087		39
075713	12	19	076634	33	15	<b>510000</b>			801088		39
075717	12	20	076634	33		510023	26	11	801433		30
075729	20	10	076635	33	16	510023	26	11	801552		37
075730	17	44	076636	33	24	510023	27	09	801782		39
075733	05	33	076637	33	23	510100	26	12	802232		37
075742	19	10	076638	33	20	510100	26	12	802423		34
075742	37	02	076638	33	20	510100	27	10	802647		33
075743	37		076639	33	21	510100	26	12	802647		33
075829	09	05	076639	34		510215	26	13	802659		30
075937	13	15	076640	34	10	510215	26	13	802700		38
075941	13	14	076641	34	14	510215	26	13	802746		34
075945	13	16	076641	34	14	510215	27	11			
076106	08	31	076642	34	15	510226	27	12	<b>900000</b>		
076106	28		076642	34	15	510227	27	13	902261		37
076107	28	17	076643	34	03	510228	27	14			
076112	21	08	076644	34	05	510229	27	15			
076113	21	09	076645	34	09	510233	27	16			
076132	21	07	076646	34	07	520000	28	12			
076133	21	17	076649	34	08	520054	07	06			
076417	19	17	076650	34	11	520062	12	03			
076440	17	04	076652	34	12	520064	37	15			
076470	20	23	076653	34	13	520065	11	14			
076494	20	09	076655	34	16	520065	15	04			
076499	17	14	076656	34	17	520065	19	04			
076502	17	05	076658	34	04	520065	23	29			
076504	17	08	076661	33	14	520066	08	33			
076505	17	02	076662	33	08	520067	19	19			
076524	05	46	076668	33	07	520084	12	02			
076528	05	08	076669	33	03	520085	11	12			
076531	05	05	076670	33	05	520085	15	01			
076538	05	01	076671	33	01	520085	19	01			
076540	05	15	076678	07	14	520085	23	30			
076541	05	14	076683	05	16	520090	19	11			
076546	05	23	076684	05	17	520090	23	32			
076547	05	26	076691	05	22	520093	19	27			
076548	17	52	076711	15	06	520093	20	05			
			076712	19	32	520093	23	31			
			076732	11	03	520098	20	12			
			076764	38	02	520099	20	13			

## NOTES

## TORQUE SPECIFICATIONS FOR STANDARD MACHINE HARDWARE

SIZE	SAE GRADE #2 		SAE GRADE #5 		SAE GRADE #8 	
	DRY	LUB.	DRY	LUB.	DRY	LUB.
8 - 32	19 In. Lbs.	14 In. Lbs.	30 In. Lbs.	22 In. Lbs.	41 In. Lbs.	31 In. Lbs.
8 - 36	20 "	15 "	31 "	23 "	43 "	32 "
10 - 24	27 "	21 "	43 "	32 "	60 "	45 "
10 - 32	31 "	23 "	49 "	36 "	68 "	51 "
1/4 - 20	66 "	50 "	9 Ft. Lbs.	75 "	12 Ft. Lbs.	9 Ft. Lbs.
1/4 - 28	76 "	56 "	10 "	86 "	14 "	10 "
5/16 - 18	11 Ft. Lbs.	9 Ft. Lbs.	17 "	13 Ft. Lbs.	25 "	18 "
5/16 - 24	12 "	9 "	19 "	14 "	25 "	20 "
3/8 - 16	20 "	15 "	30 "	23 "	45 "	35 "
3/8 - 24	23 "	17 "	35 "	25 "	50 "	35 "
7/16 - 14	32 "	24 "	50 "	35 "	70 "	55 "
7/16 - 20	36 "	27 "	55 "	40 "	80 "	60 "
1/2 - 13	50 "	35 "	75 "	55 "	110 "	80 "
1/2 - 20	55 "	40 "	90 "	65 "	120 "	90 "
9/16 - 12	70 "	55 "	110 "	80 "	150 "	110 "
9/16 - 18	80 "	60 "	120 "	90 "	170 "	130 "
5/8 - 11	100 "	75 "	150 "	110 "	220 "	170 "
5/8 - 18	110 "	85 "	180 "	130 "	240 "	180 "
3/4 - 10	175 "	130 "	260 "	200 "	380 "	280 "
3/4 - 16	200 "	150 "	300 "	220 "	420 "	320 "
7/8 - 9	170 "	125 "	430 "	320 "	600 "	460 "
7/8 - 14	180 "	140 "	470 "	360 "	660 "	500 "
1 - 8	250 "	190 "	640 "	480 "	900 "	680 "
1 - 12	270 "	210 "	710 "	530 "	1000 "	740 "

Multiply in Lbs. by (0.113) or Ft. Lbs. by (1.355) for metric Nm

**NOTE:** These torque values are to be used for all GEHL hardware excluding: locknuts, self-tapping screws, thread forming screws, and sheet metal screws. Unless otherwise noted, all torque values must meet this specification.

**Attaching Hardware Table**

Size & Description	Part Number	Size & Description	Part Number	Size & Description	Part Number	Size & Description	Part Number
#6-32N	650658	1/4P	654002	3/8L	654026	5/8L	654032
#6L	645044	5/16N	653007	3/8P	654006	5/8P	654012
#6P	654043	5/16LN	071701	1/2N	653018	3/4N	653026
#10-24N	650550	5/16NILN	064260	1/2JN	653044	3/4NF-CN	653089
#10L	650549	5/16L	654024	1/2LN	071706	3/4L	654034
#12-24N	650627	5/16P	654004	1/2NILN	068034	3/4P	654014
#12L	650813	3/8N	653010	1/2L	654030	1"N	653130
1/4N	653005	3/8JN	653038	1/2P	654009	1"JN	650820
1/4LN	071700	3/8LN	071703	5/8N	653021	1"NF-NILN	066777
1/4L	654022	3/8NILN	067847	5/8LN	071709	1"P	654016

---

**GEHL®**

---

**FARM EQUIPMENT**

GEHL COMPANY WEST BEND, WISCONSIN 53095 U.S.A.