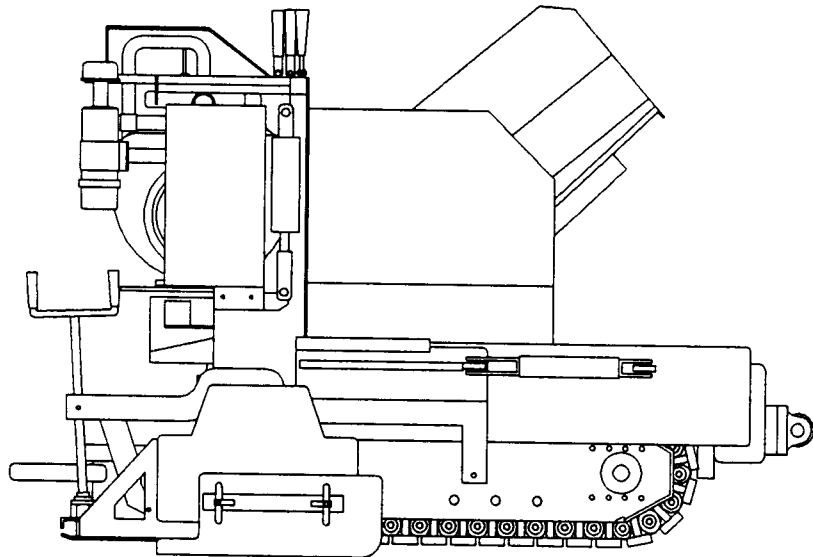


GEHL[®] CONSTRUCTION

Form No.
907363
Replaces
907304

T650B/T650BD

POWER BOX[®]
Self-Propelled
Paver



SERVICE PARTS

When ordering service parts, specify the correct part number, full description, quantity required, and the unit model and serial number.

Model and Serial numbers for this unit are stamped on a plate located on top of the Control Console by the Manual Storage Box. "Right" and "Left" are determined from a position standing behind the unit and facing the direction of travel.

GEHL Company reserves the right to make changes or improvements in the design or construction of any part of the unit without incurring the obligation to install such changes on any unit previously delivered.

Grease fittings and common attaching hardware, such as Cotter Pins, Set Screws, Woodruff Keys, Screws, Nuts, etc., are included in the parts list, indented below the part it is (they are) associated with, but NOT illustrated, except where a particular routing or special fastening arrangement MUST be maintained. The hardware listed is for mounting purposes and is NOT included when the part is ordered for replacement.

Part numbers for standard Bolts are listed indented under the component being fastened, followed by abbreviations for Washers/Nuts.

A complete listing of part numbers for attaching Washers/Nuts used on this machine is included in the back of this manual. Refer to the abbreviations list on this page for descriptions.

Standard attaching hardware torque values are provided on the inside Back Cover. Unless otherwise specified, all Cap Screws are Grade 5, cadmium or zinc plated; Hexagon Nuts for Grade 5 Cap Screws or Bolts are Grade A.

The following abbreviations are used in this Manual:

AN	Acorn Nut
AR	As Required
ASY	Assembly
BHB	Button Head Bolt
CB	Carriage Bolt
CN	Castellated Nut
CYL	Cylinder
CS	Cap Screw (Hexagon Head)
DIA	Diameter
FHMS	Flat Head Machine
FLN	Flanged Flexlock Nut
FLS	Flanged Lock Screw
FT	Foot or Feet
GR	Grade
HLN	Hexlock Nut
HYD	Hydraulic
JN	Jam Nut
L	Lock (Washer)
LH	Left Hand
LN	Lock Nut (Whizlock)
LT	Left
MW	Machine Washer
N	Nut (Plain Hex)
NILN	Nylon Insert Lock Nut
NPTF	National Pipe Threaded Fitting
P	Plain (Washer)
PHS	Pan Head Screw
PB	Plow Bolt
RH	Right Hand
RHMS	Round Head Machine Screw
RHSMS	Round Head Sheet Metal Screw
RNF	Retained Nut Fastener
RT	Right
SHCS	Socket Head Cap Screw
SHSS	Socket Head Set Screw
SMV	Slow-moving Vehicle
SN	Slotted Nut
SQ	Square
SHSS	Square Head Set Screw
STS	Self-Thread Screw Hex. Washer Head
THB	Tapered Head Bolt
THMS	Truss-Head Machine Screw
W/	With
WN	Wing Nut

General Section

Introduction Inside Front Cover
Table of Contents **1**
Decal Locations **3**

Chassis Section

Screed Assembly **8**
T650B Gas - Rt. Side Backwall Group **12**
T650BD Diesel - Rt. Side Backwall Group **16**
Left Side Backwall Group **20**
Lower Frame & Hopper Group **24**
Drive Track Assembly **26**

Electrical Section

T650B Gas - Main Wire Harness Hookup **28**
T650BD Diesel - Main Wire Harness Hookup **29**

Hydraulic Systems Section

T650B Gas - Pump/Reservior Plumbing **30**
T650BD Diesel - Pump/Reservoir Plumbing **34**
Drive Valve/Motors Plumbing **38**
Auger & Gates Plumbing **42**
Hopper Lift Plumbing **44**
Screed Plumbing **46**

(Continued)

Hydraulic Components Section

Front Piston Pump	48
Rear Gear Pump	50
Auger Drive Pump	51
Track Drive Motor	52
Track Drive Torque Hub	54
Auger Drive Motor	56
Screed Vibrator Motor	57
Drive Control Valve	58
7-Stack Control Valve	60
Auger Control Valve	62
Steer Control Valve	64
Relief Valve	65
Gate Shut-Off Cylinder	65
Side Gate Cylinder	66
Hopper Lift Cylinder	66
Screed Extend Cylinder	67
Screed Lift Cylinder	67
Track Adjust Cylinder	68
High Pressure Cylinder	68

Miscellaneous Section

Numerical Index	69
Standard Attaching Hardware (<i>Nuts, Washers</i>)	74
Hardware Torque Specs	Inside Back Cover

NEW DECAL APPLICATION



ALWAYS read and abide by the Safety Rules and information shown on Decals. If any Decal(s) become(s) damaged, unreadable or if the unit is repainted, the Decal(s) MUST be replaced. If repainting, MAKE SURE that all Decals which apply to your machine are affixed in their proper locations.

Decal Locations information is provided to assist in the proper selection and application of new decals, in the event the original decal(s) become(s) damaged or the Paver is repainted

For correct replacement of decals, compare the location illustrations to your machine BEFORE starting to refinish the unit. Check-off each required decal using the illustration reference number to find the part number, description and quantity in the list. Refer to the appropriate illustration(s) for replacement location(s).

Before applying the new decals, surfaces MUST be free from dirt, dust, grease and other foreign material. To apply a solid-formed decal, remove the smaller portion of the decal backing paper and apply this part of the exposed adhesive backing to the clean surface while maintaining proper position and alignment. Peel the other portion of the backing paper off slowly while applying hand pressure to smooth-out decal surface. To apply a die-cut decal, first remove the backing paper. Then, properly orient and position the decal onto the clean mounting surface. After the decal is firmly applied and smoothly pressed down, remove the front covering paper.

PAINT FINISH

Use the following chart to order paint for refinishing.

Number	Quantity	Product
906213	1 gallon	Construction Yellow
906317	1 gallon	Charcoal Grey
906323	1 quart	Charcoal Grey
L98622	1-12 oz	Construction Yellow
L98623	1-12 oz	Charcoal Grey
906214	6-12 oz	Construction Yellow
906318	6-12 oz	Charcoal Grey

DECAL LIST - T650B GAS

Item. Ref.	Part No.	Description
-a	P700478	Decal Kit
01	P201400	0-6 Thickness Indicator (2 ea.)
02	P204102	CAUTION - Overtighten Belts (Top of Bell Housing)
03	L65927	WARNING - Pinch Point (4 ea.)
04	P204103	WARNING - Hyd.Press.Relief
05	P204113	CAUTION - Load/Unload
06	072796	Gas Fuel Only
07	072797	Diesel Fuel Only
08	P204015	Fast/Slow Control
09	<i>Note c</i>	Hydraulic Fluid
10	122719	Made In USA
11	P204030	Power Box Lettering (2 ea.)
12	P204105	Maintenance Chart
13	<i>Note d</i>	DECAL - Filter Reference
14	P204018	RH 5-Position Controls
14 ^b	P471163	RH 5-Position Controls
15	P204017	LH 7-Stack Controls
16	P212725	T650B Lettering (2 ea.)
17	P212750	Drive Control w/Float
18	L277594	Operator Instructions
19	P207300	On/Off Arrows (2 ea.)
20	P214000	Up/Down Screed (2 ea.)
21	P204107	Horn Button (2 ea.)
22	L66566	Gehl Lettering 5.25" (2 ea.)
23	P212650	Auger Control
23 ^b	P471162	Auger Control
24	P210200	Floor Safety Prop (2 ea.)
25	P204100	WARNING - Operator
26	L65922	Operator Manual Inside
27	L65942	WARNING - Hot Surface
28	L65924	DANGER - Rotating Components (Top of BellHousing)
29	L65933	WARNING - Jump Start
30	P470323	PB Logo (2 ea.)

a Decals available as Kit or individually.

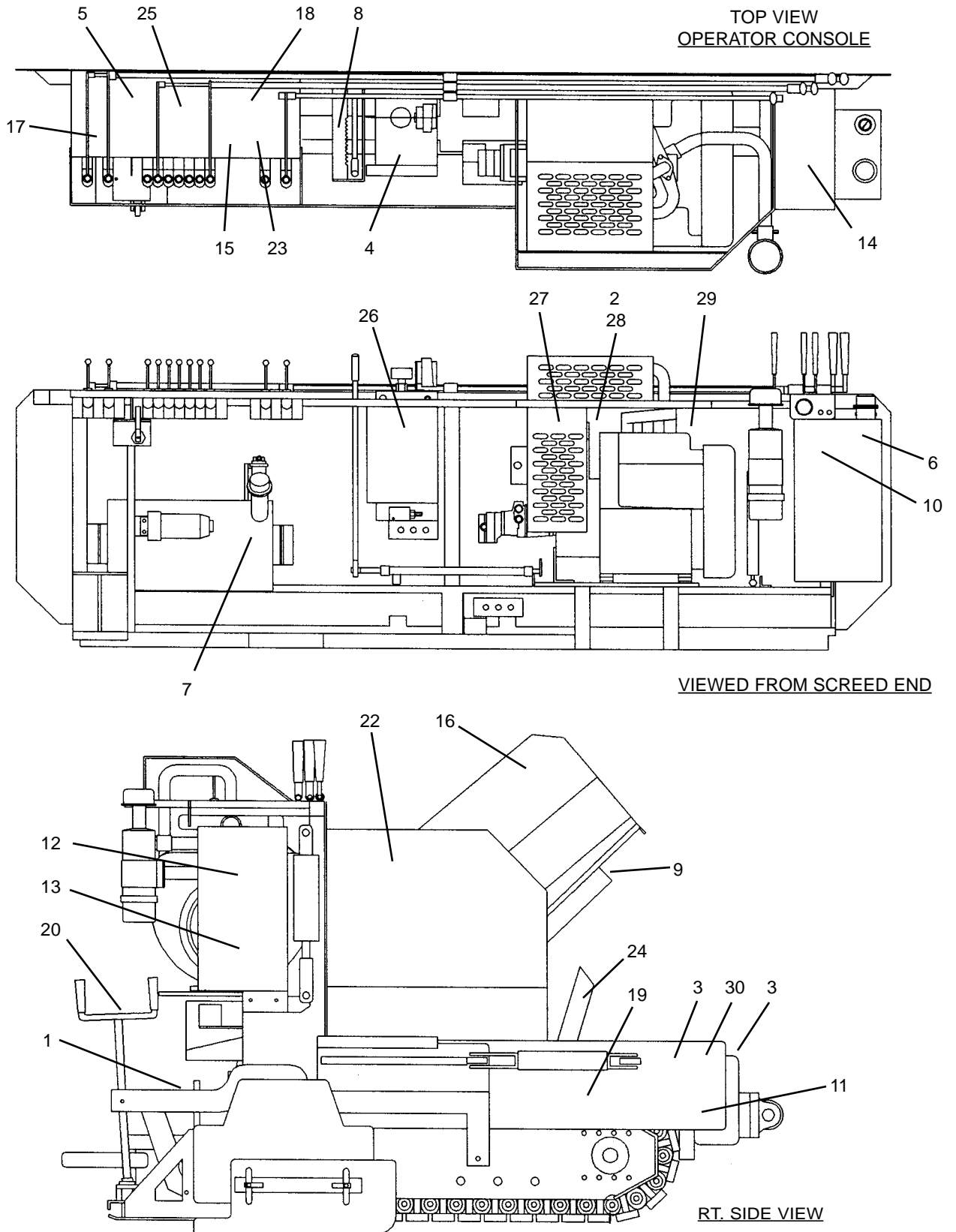
b Used on T650B, S/N 6032 & Up.

c Models Prior 496, Use P/N P205600.

Models After 496, Use P/N P47125.

d Models Prior 496, Use P/N P471033.

Models After 496, Use P/N P471420.



DECAL LIST - T650BD Diesel

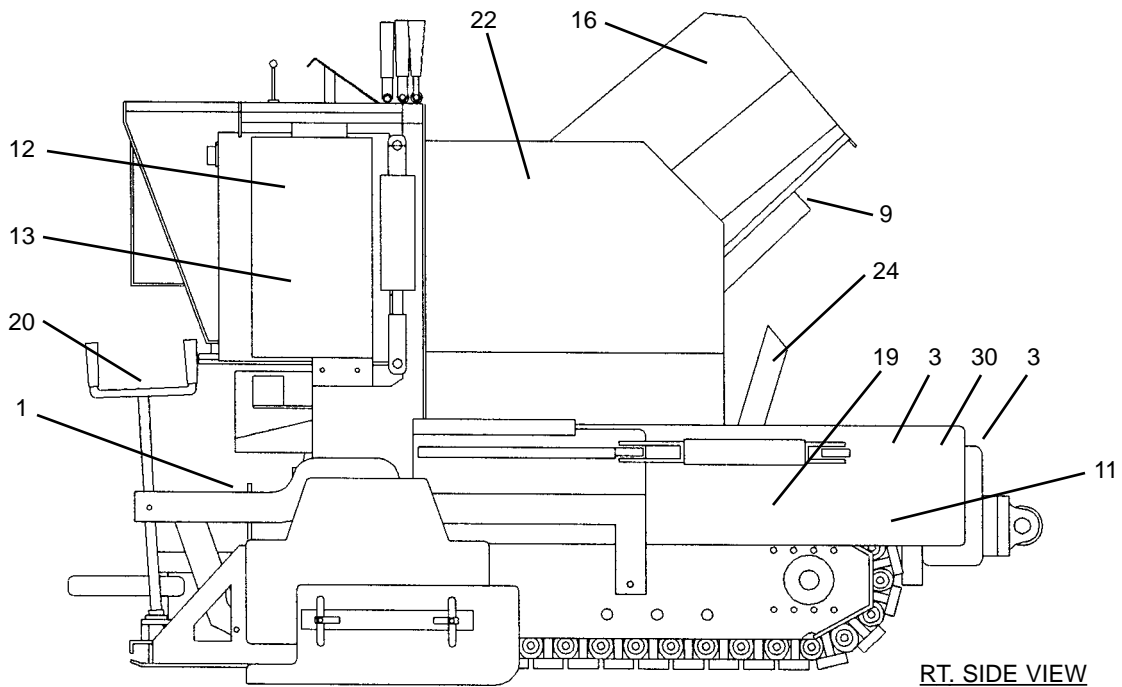
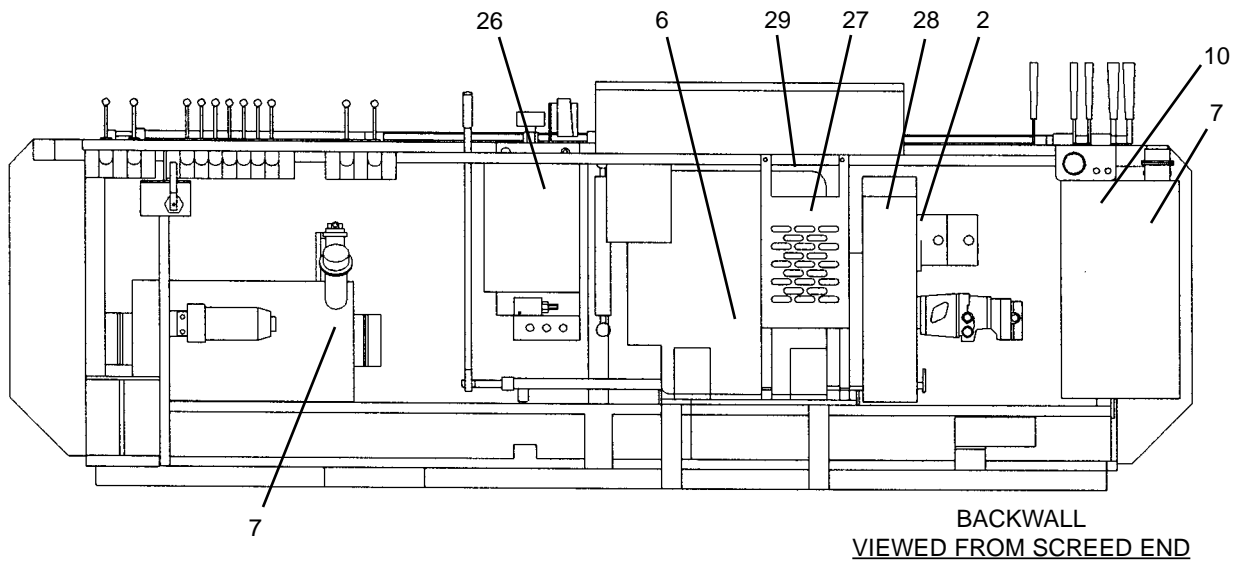
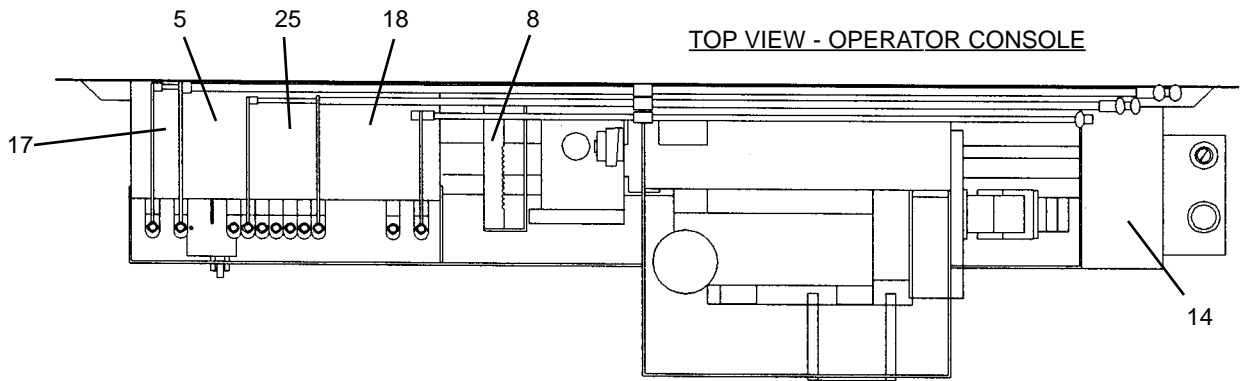
Item. Ref.	Part No.	Description
-a	P700479	Decal Kit
01	P201400	0-6 Thickness Indicator (2 ea.)
02	P204102	CAUTION - Overtighten Belts
03	L65927	WARNING - Pinch Point (5 ea.)
04	P204103	WARNING - Hyd.Press.Relief
05	P204113	CAUTION - Load/Unload
06	P204108	Push Engine Stop
07	072797	Diesel Fuel Only (2 ea.)
08	P204015	Fast/Slow Control
09	<i>Note d</i>	Hydraulic Fluid
10	122719	Made In USA
11	P204030	Power Box Lettering (2 ea.)
12	P204105	Maintenance Chart
13	<i>Note c</i>	DECAL - Filter reference
14	P204018	RH 5-Position Controls
14 ^b	P471163	RH 5-Position Controls
15	P204017	LH 7-Stack Controls
16	P204031	T650BD Lettering (2 ea.)
17	P212750	Drive Control w/Float
18	L277594	Operator Instructions
19	P207300	On/Off Arrows (2 ea.)
20	P214000	Up/Down Screed (2 ea.)
21	P204107	Horn Button (2 ea.)
22	L66566	Gehl Lettering 5.25" (2 ea.)
23	P212650	Auger Control
23 ^b	P471162	Auger Control
24	P210200	Floor Safety Prop (2 ea.)
25	P204100	WARNING - Operator
26	L65922	Operator Manual Inside
27	L65942	WARNING - Hot Surface
28	L65924	DANGER - Rotating Components
29	L65933	WARNING - Jump Start
30	P470323	PB Logo (2 ea.)

a Decals available as Kit or individually.

b Used on T650BD, S/N 3563 & Up.

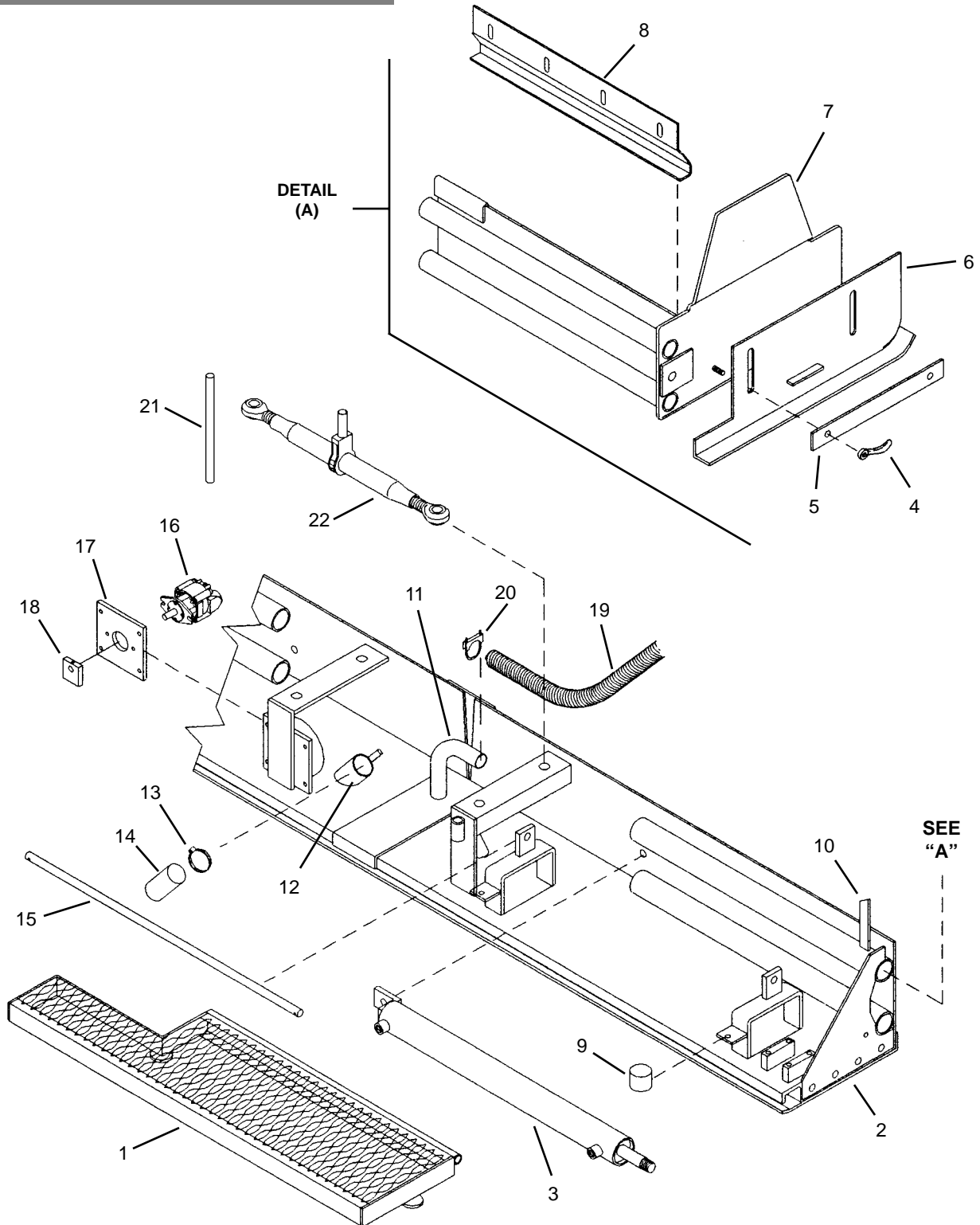
*c Models Thru S/N 3525, Use P/N P471033.
Models S/N 3526 & Up, Use P/N P471420.*

*d Models Prior Apr 96, Use P/N P205600.
Models After Apr 96, Use P/N P471425.*



Screed Assembly - Group 1 of 2

See Hyd. Sys. Pages For Tubes, Hoses & Ftg.

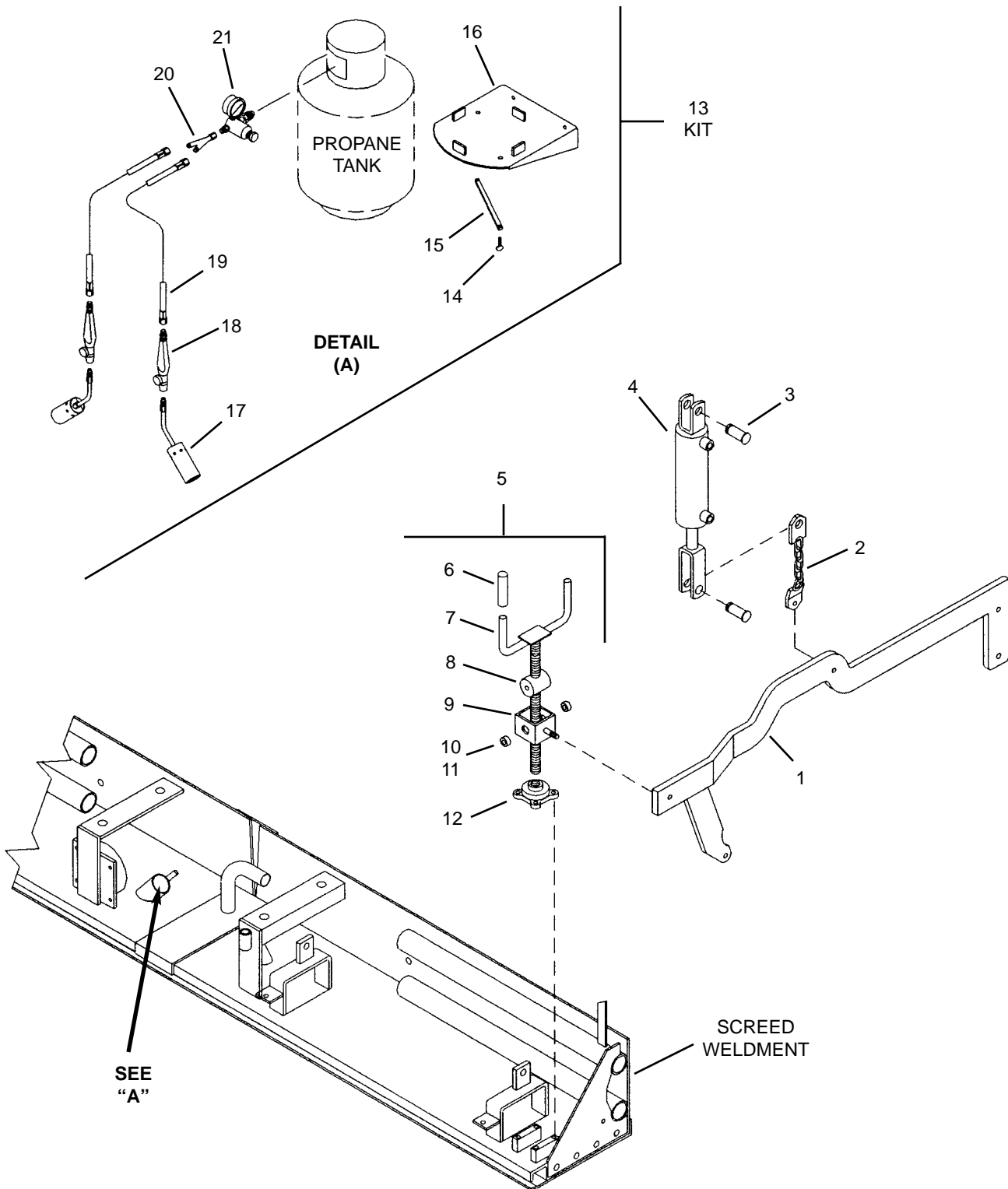


Screed Assembly - Group 1 of 2

Ref. No.	Part No.	Description	Qty. Req.	Ref. No.	Part No.	Description	Qty. Req.
01	P017150	LT. OPER. PLATFORM	1				
	P017160	RT. OPER. PLATFORM.	1				
02	P471385	SCREED WELDMENT	1	13	L76020	ADJ.CLAMP 1-7/8TO2-1/2	2
	P182400	BOTTOM PLATE	1	14	P018700	BURNER CAP	2
03 ^a	<i>Note b</i>	EXTEND CYLINDER.	2	15	P470557	PIN.	2
	L41770	CLAMP 3/4	4		L50630	ROLL PIN 1/4X1.	4
	L50211	CS 1/4-20X3/4 (SFN,P)	2	16 ^a	P349450	VIBRATOR MOTOR	1
	L50599	CS 1/2-13X1-1/2 (NIN)	2		L50403	CS 3/8-16X1-1/4 (NIN)	2
	P351600	(2) JN 1-14	2	17	P316100	MOUNT PLATE	1
04	P015900	HANDLE NUT	2		L50275	CS 3/8-16X3 (NIN)	4
05	P178000	SHOE STRAP	1	18	P316400	COUNTERWT.BAR	1
06	P470057	LT. SHOE WELDMENT	1		P391000	SHS 5/16X5/16 SKT.	1
	P470058	RT.SHOE WELDMENT	1	19	<i>Note d</i>	FLEX. EXH. CONDUIT ASY.	4ft
07	P470055	LT. SCREED EXT. WELD	1	20	P055200	MUFFLER CLAMP	2
	P470056	RT.SCREED EXT.WELD	1	21	P700459	RACHET HANDLE	1
08	P470051	LOWER STRIKE OFF PLATE.	2	22	<i>Note c</i>	TURNBUCKLE ASY.	2
		(8) NIN, P 3/8-16			L50335	CS 3/4-10X3-1/2 (NIN)	4
09	P272700	ISOLATOR.	4	<i>a</i>		<i>Refer to Hyd. Comp. Pages for Breakdown.</i>	
	L50282	CS 1/2-13X1 (L)	4	<i>b</i>		<i>Refer to Part No. Stamped on Cylinder Tube.</i>	
10	P470468	INDICATOR BAR.	2	<i>c</i>		<i>Ratchet Type, Use P/N P470232.</i>	
11	P470143	SCREED PIPE	1			<i>Turn Bar Type, Use P/N P470718.</i>	
12	P470157	BURNER HOLDER TUBE.	2	<i>d</i>		<i>For T650B, Use P/N P013725.</i>	
						<i>For T650BD, Use P/N P13750.</i>	

Screed Assembly - Group 2 of 2

See Hyd. Sys. Pages For Tubes, Hoses & Ftg.

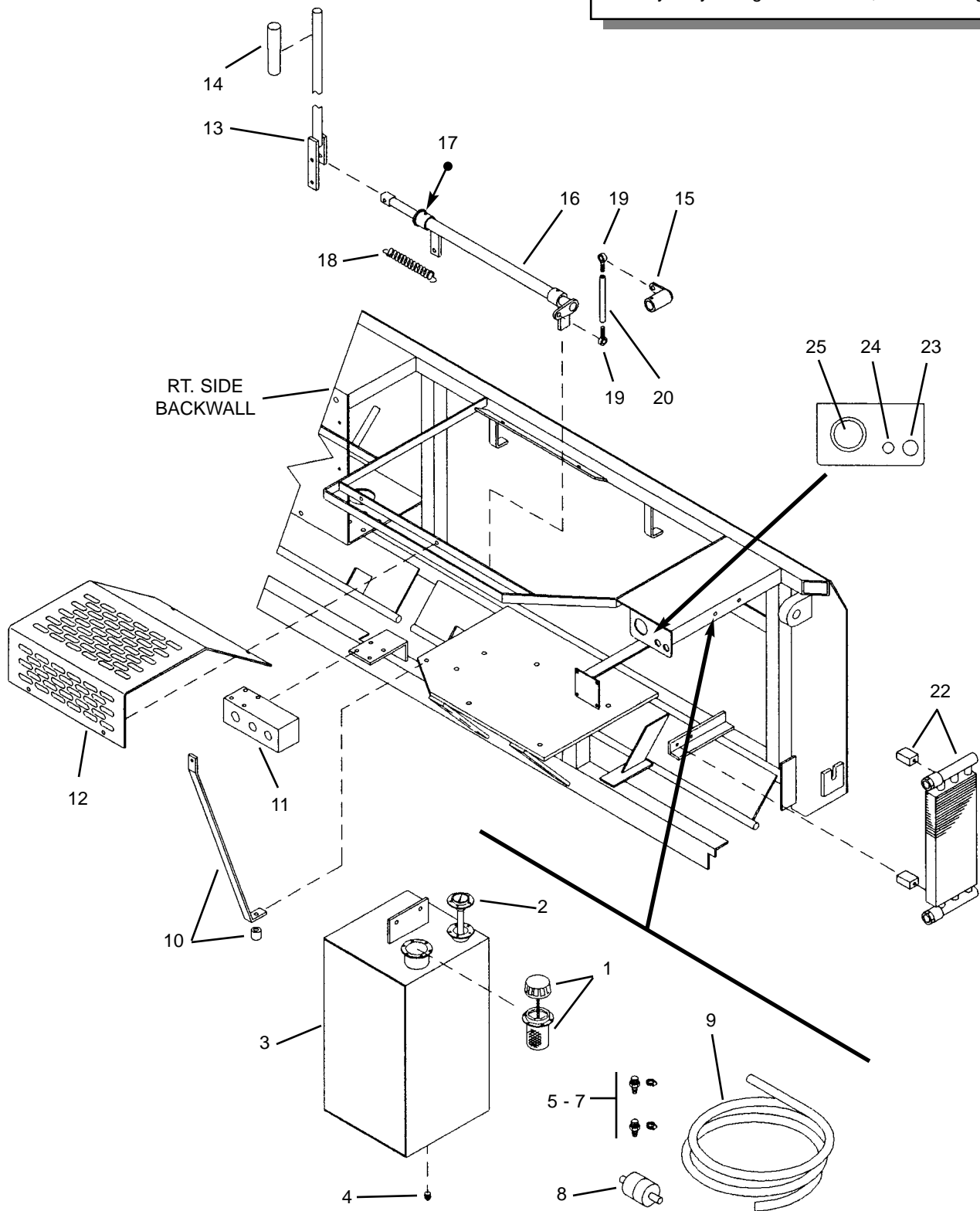


Screed Assembly - Group 2 of 2

Ref. No.	Part No.	Description	Qty. Req.	Ref. No.	Part No.	Description	Qty. Req.
01	P470553	LT. PULL ARM WELDMENT	1	11	P289010	CS 1/2-13X1	1
	P470552	RT. PULL ARM WELDMENT	1	12	P024200	BEARING	2
	L50894	CS 1/2-13X2-1/2	2		L10465	GREASE ZERK	2
		(4) NIN 1/2-13		13	P017186A	PROPANE HTR.KIT-Incl.	1
	L510023	CS 5/8-11X2-3/4 (NIN)	2	14	L50355	TS 5/16-18X1	2
02 ^b	P470624	LIFT CHAIN WELDMENT	2	15	P470723	HOLDDOWN BAR	1
02 ^c	P471126	LIFT CHAIN WELDMENT	2	16	P470528	TANK MOUNT WELD	1
02 ^e	P471204	LIFT CHAIN WELDMENT	2	17	P412000	BURNER TIP	2
	L50313	CS 5/8-11X1-1/2	2	18	P253000	HANDLE	2
03	P359500	PIVOT PIN W/LOCK PIN	2	19	P270200	HOSE ASY 6FT	2
03 ^e	P471206	REWORKED PIVOT PIN	2	20	P317400	"Y" MANIFOLD	1
03 ^f	P471297	PIVOT PIN	2	21	P380200	REGULATOR	1
	L50601	COTTER PIN	2				
04 ^a	Note d	SCREED LIFT CYLINDER	2	a	<i>Refer to Hyd. Comp. Pages for Breakdown.</i>		
05	P470714	ADJ. HANDLE ASY	2	b	<i>Used on T650B Thru S/N 6004.</i>		
		(Items 7-12)			<i>Used on T650BD Thru S/N 3530.</i>		
06	P252400	RUBBER GRIP 3/4"	4	c	<i>Used on T650B S/N 6005 & Up.</i>		
07	P470625	HANDLE WELDMENT	2		<i>Used on T650BD S/N 3531 & Up.</i>		
		(2) JN 1-8		d	<i>Refer to Part Number Stamped on Cylinder Tube.</i>		
08	P312230	DEPTH ADJUST.NUT	2	e	<i>Used on T650B, S/N 6019 - 6028.</i>		
	L10465	GREASE ZERK 1/4-28 STR	2		<i>Used on T650BD, S/N 3548 - 3560.</i>		
09	P470074	ADJ.TUBE WELDMENT	2	f	<i>Used on T650B, S/N 6031 & Up.</i>		
10	P142175	PIVOT SPACER	4		<i>Used on T650BD, S/N 3531 & Up.</i>		

Right Side Backwall - Group 1 of 2

See Hyd. Sys. Pages For Tubes, Hoses & Ftgs.



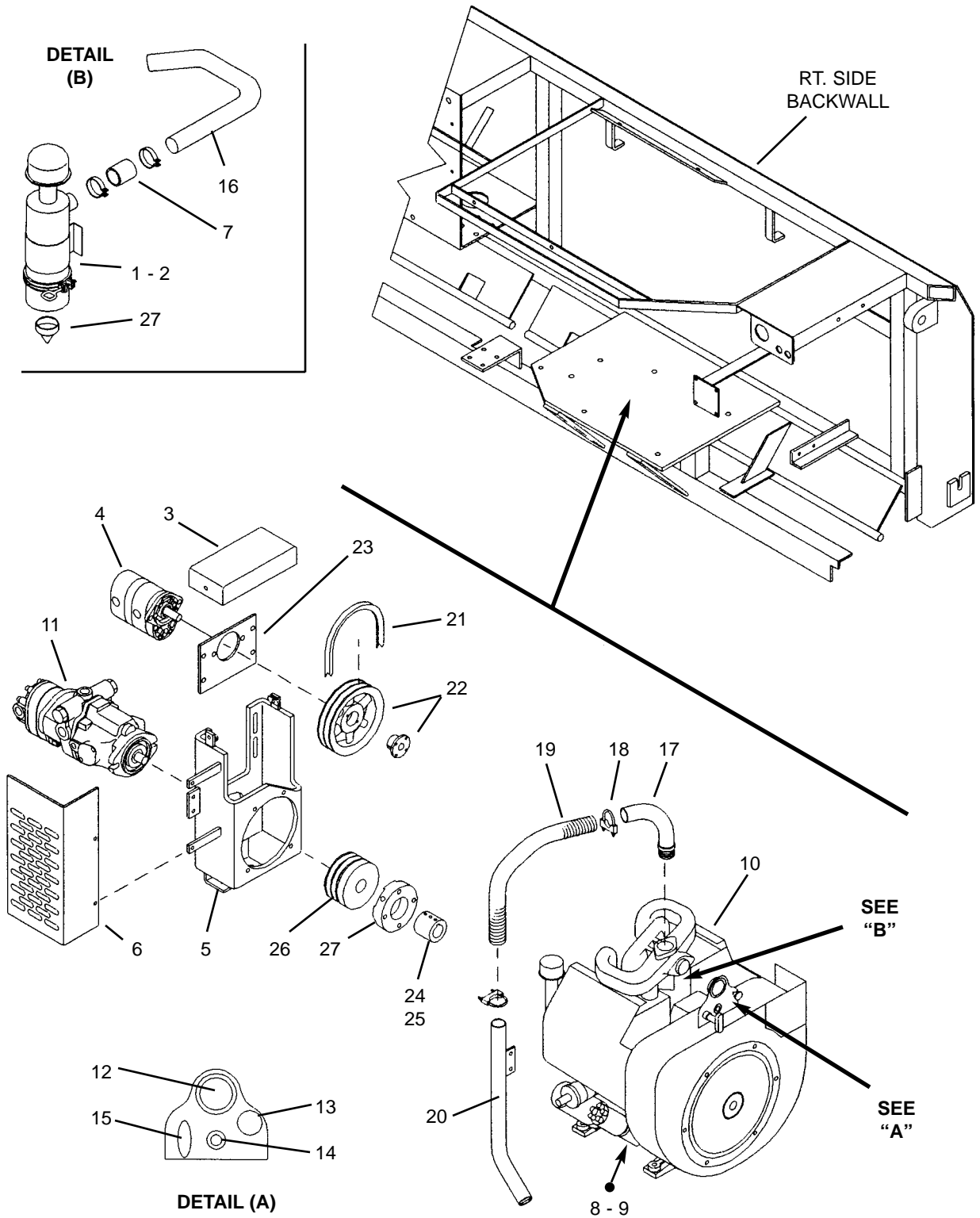
Right Side Backwall - Group 1 of 2

Ref. No.	Part No.	Description	Qty. Req.	Ref. No.	Part No.	Description	Qty. Req.
					L50373	CS 3/8-24X2-1/4 (FLN)	1
01	P470472	FILL CAPW/BREATHER	1	16	P470378	LINKAGE TUBE WELD	1
02	P470479	FUEL GAUGE	1	17	L10465	GREASE ZERK 1/4-28 STR.	2
03	P014925	FUEL TANK WELDMENT	1	18	P561003	SPRING	1
	L50367	CS 3/8-16X1	4	19	P221850	RH ROD END	1
		(5) SFN 3/8-16			P221650	LH ROD END	1
04	L66015	PIPE PLUG 1/4 NPT	2		L50289	CS 1/2-13X2-1/4 (FLN)	2
05	P471157	HOSE BARB (Eng. Side)	1			(2) 7/16 P	
06	P022800	HOSE BARB (Tank Side)	1	20	P471024	LINKAGE ADJUST. ROD	1
07	L570022	CLAMP 1/2"	2	20 ^a	P471355	LINKAGE UPDATE KIT	1
08	P217000	IN LINE FILTER	1			(Incl. Item 19 w/ 15 Hdwr.)	
09	P269800	HOSE 1/4"	3.25ft		P352800	HX NUT 1/2-20 N, LEFT HAND	1
10 ^b	P470507	VERTICAL BRACE	1		P352600	HX NUT 1/2-20 N	1
	L80911	SPACER	1	21	P470564	SPEED CONTL. LINK ARM	1
	L50269	CS 3/8-16X2-1/4 (NIN)	1	22	P061400	HYDRAULIC COOLER	1
11	P470566	MANIFOLD BLOCK	1		P700324	MOUNT KIT	1
	L50458	CS 5/16-18X3-3/4 (SFN)	4	23	L41848	HORN BUTTON SWITCH	1
12	P016900	UPPER MANIFOLD GUARD	1	24	L49236	CIRCUIT BREAKER 15 AMP	1
	L50367	CS 3/8-16X1 (NIN)	4	25	L42853	HOURLMETER	1
13	P470519	PUMP CONTROL ARM	1				
	L50561	CS 5/16-18X1-3/4 (NIN)	1				
14	P252400	RUBBER GRIP	1				
15	P470564	SPEED CONTROL ARM	1				

*a For Units Shipped Prior 1195.
b For T650B, S/N 6023 & Up.*

Right Side Backwall - Group 2 of 2

See Hyd. Sys. Pages For Tubes, Hoses & Ftgs.

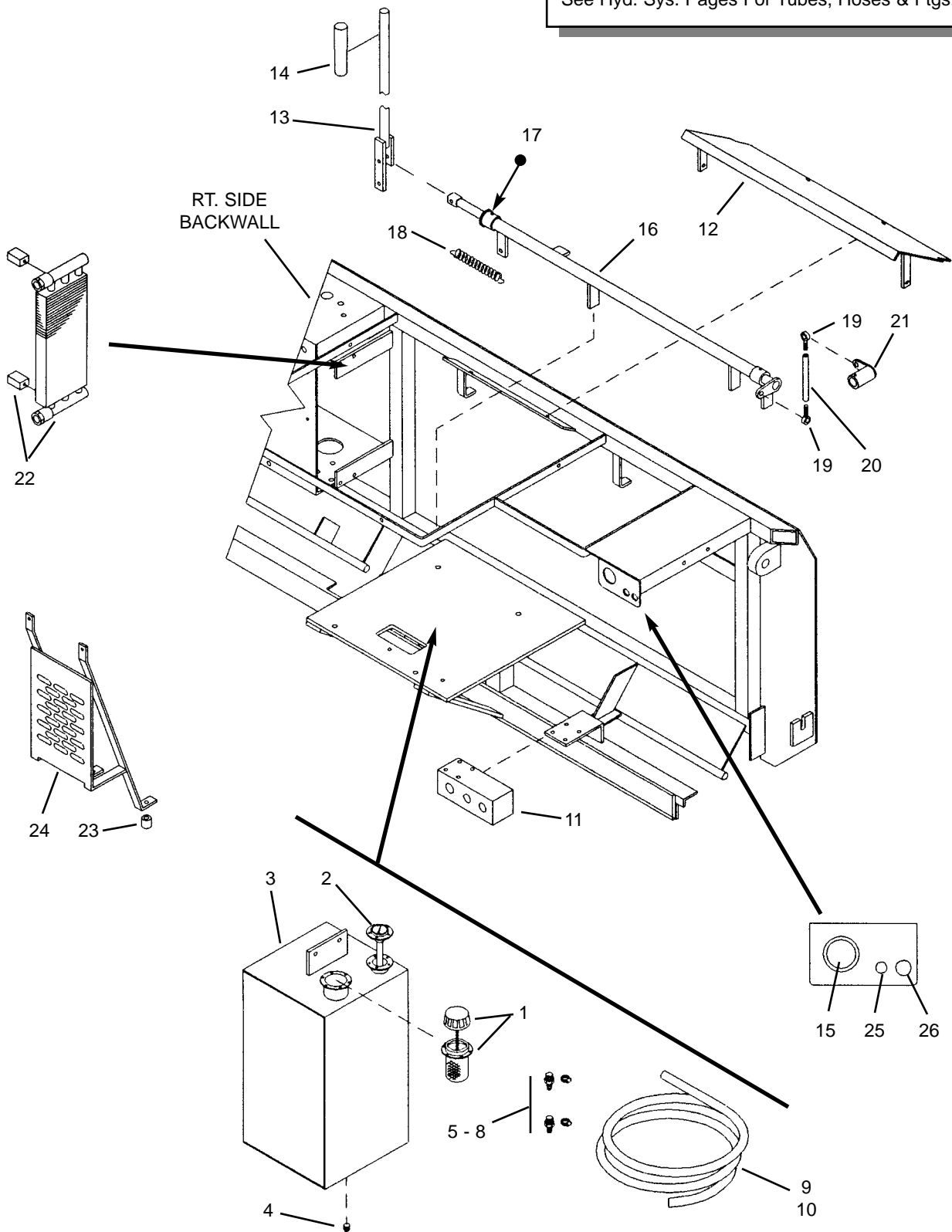


Right Side Backwall - Group 2 of 2

Ref. No.	Part No.	Description	Qty. Req.	Ref. No.	Part No.	Description	Qty. Req.
				16	P470881	AIR INTAKE PIPE	1
01 ^j	P700460	AIR CLEANER ASY.	1	16 ^h	P471232	AIR INTAKE PIPE	1
01 ^k	P700517	AIR CLEANER ASY.	1	17	P470795	UPPER EXHAUST WELD.	1
	L50230	CS 5/16-18X3/4 (SFN)	4	18	P055200	MUFFLER CLAMP 1-5/8"	2
02	P700504	ELEMENT	1	19	P059600A	CONDUIT 1-1/2"	1
03	P017190	PUMP SHIELD WELDMENT.	1	20	P013500	EXHAUST MANIFOLD	1
	L50251	CS 3/8-16X3/4	2		L50367	CS 3/8-16X1 (SFN)	2
04 ^a	P374600	DUAL PUMP		21	P030100	V-BELT.	2
	P042400	CS 7/16-14X1-1/2 (L)	2	22	P373200	AUGER PUMP PULLEY	1
05	P470596	BELL HOUSING WELDMENT	1		P047400	TAPER BUSHING	1
	P042400	CS 7/16-14X1-1/2.	4	23	P312300	PUMP MOUNT PLATE	1
06 ^c	P013450	LOWER EXHAUST GUARD	1		P289012	CS 1/2-13X1-3/4 (L,P,N).	4
	L50403	CS 3/8-16X1-1/4 (NIN)	2	24 ^f	P471105	CRANKSHAFT ADAPTER HUB	1
06 ^d	P471171	LOWER EXH. PIPE GUARD.	1	24 ^e	P145100	KEYSTOCK	1
07	P471419	REDUCER.	1	24 ^f	P471156	KEYSTOCK	1
		CLAMP	2	25 ^e	<i>Note g</i>	COUPLING	1
08 ⁱ	L72054	PIPE NIPPLE	1	26 ^e	<i>Note g</i>	ENGINE/PUMP PULLEY.	1
09 ^j	L72061	PIPE ELBOW	1	26 ^f	P471106	SLEEVE PUMP ADAPTER PULLEY	1
10 ^b	P223500	ENGINE ASY-Incl:	1	27 ^f	P471102	RUBBER FLEX COUPLER.	1
	P221050	OIL FILTER	1		L50688	CS M10X1.5X30MM.	4
	P051900	CARBURETOR.	1				
	P059150	COIL	1				
	<i>Note l</i>	STARTER	1	<i>a</i>	<i>Refer to Hyd. Comp. Pages For Breakdown.</i>		
	P380400	REGULATOR	1	<i>b</i>	<i>Order Engine Parts Thru Local Wisc. Eng. Dealer.</i>		
	L50261	CS 3/8-16X1-1/2.	2	<i>c</i>	<i>Used on T650B, Thru S/N 6008.</i>		
	L50680	CS 1/2-13X3 (NIN)	4	<i>d</i>	<i>Used on T650B, S/N 6009 & Up.</i>		
11 ^a	P376300	TANDUM PUMP	1	<i>e</i>	<i>Used on T650B, Thru S/N 6006.</i>		
	L50286	CS 1/2-13X1-3/4 (NIN)	2	<i>f</i>	<i>Used on T650B, S/N 6007 & Up.</i>		
12	P700461	AMMETER GAUGE.	1	<i>g</i>	<i>Pulley/Coupler Repl. Kit, Use P/N P700423.</i>		
13	P050525	CHOKE CABLE.	1	<i>h</i>	<i>Used on T650B, S/N 6024 & Up.</i>		
14	P700492	IGNITION KEYSWITCH	1	<i>i</i>	<i>Used on T650B, S/N 6034 & Up.</i>		
	P275450	KEY ONLY	1	<i>J</i>	<i>For Units Shipped Thru 4-30-96.</i>		
15	P050515	THROTTLE CABLE.	1	<i>k</i>	<i>For Units Shipped After 5-1-96.</i>		
				<i>l</i>	<i>P406300 Starter (Presolite) P700521 Starter (Delco)</i>		

Right Side Backwall - Group 1 of 2

See Hyd. Sys. Pages For Tubes, Hoses & Ftgs.

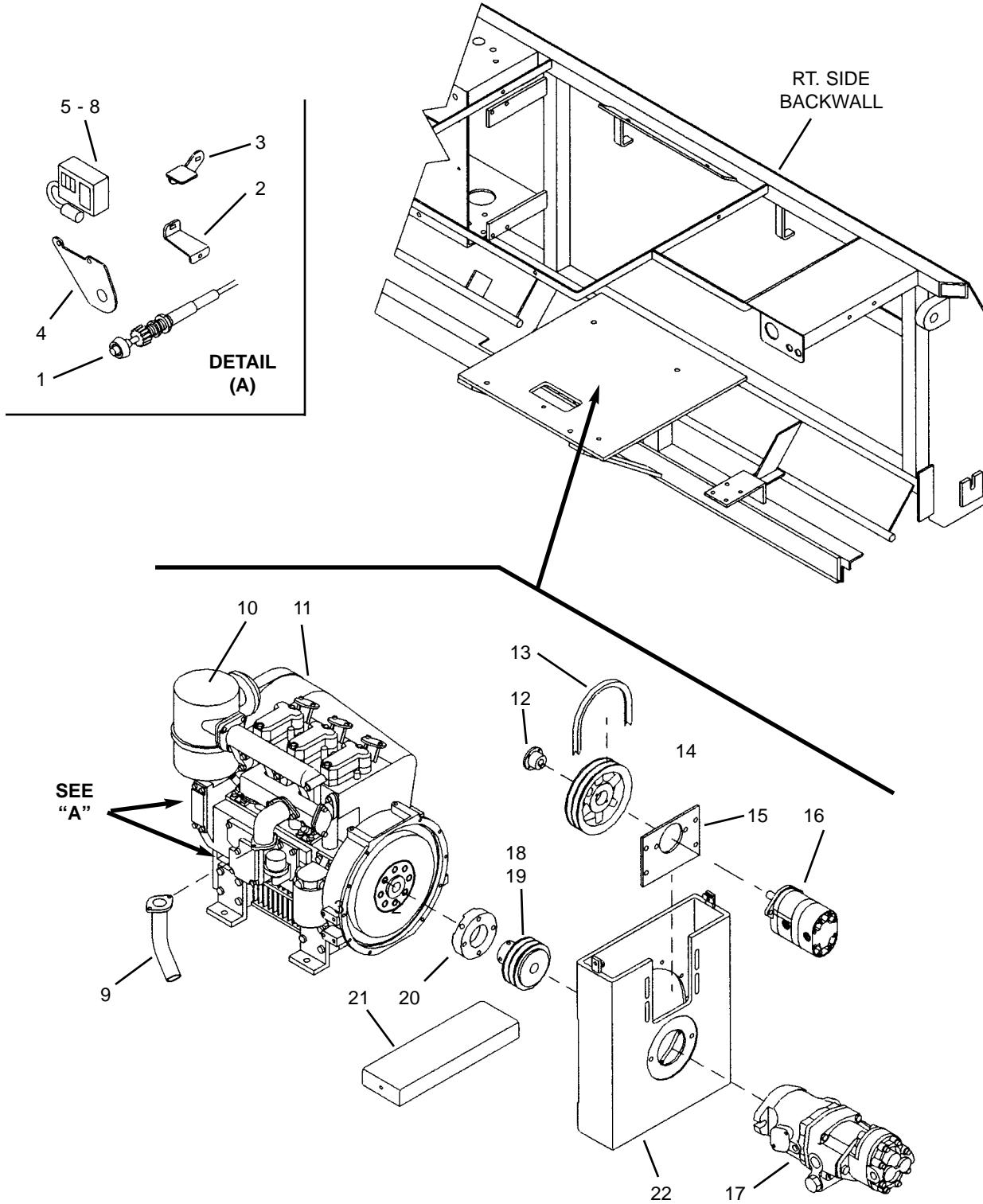


Right Side Backwall Group 1 of 2

Ref. No.	Part No.	Description	Qty. Req.	Ref. No.	Part No.	Description	Qty. Req.
01	P470472	FILL CAPW/BREATHER	1	17	L10465	GREASE ZERK 1/4-28 STR	2
02	P470479	FUEL GAUGE	1	18	P561003	SPRING	1
03	P014925	FUEL TANK WELDMENT	1	19	P221850	RH ROD END	1
	L50367	CS 3/8-16X1	4		P221650	LH ROD END	1
		(5) SFN 3/8-16			L50289	CS 1/2-13X2-1/4 (FLN)	2
04	L66015	PIPE PLUG 1/4 NPT	2			(2) 7/16 P	
05	P022800	HOSE BARB	1	20	P471024	LINKAGE ADJUST. ROD	1
06	P022300	HOSE BARB (Return)	1		P352800	(1) N 1/2-20 LH	
07	L570022	CLAMP 1/2"	2		P352600	(1) N 1/2-20	
08	L75906	CLAMP 3/8"	2	20 ^a	P471355	LINKAGE UPDATE KIT	1
09	P269900	RETURN HOSE 3/16"	2.67ft			(Incl. Item 19 w/ 21 Hdwr.)	
10	P269800	FEED HOSE 1/4"	6ft	21	P470564	SPEED CONTL. LINK ARM	1
		CS M8X1.25X12.	2		L50373	CS 3/8-24X2-1/4 (FLN)	1
11	P470566	MANIFOLD BLOCK	1	22	P061400	HYDRAULIC COOLER	1
	L50458	CS 5/16-18X3-3/4 (SFN)	4		P700324	MOUNT KIT	1
12	P013575	ENGINE SHIELD WELD	1	23	L80911	SPACER	2
	L50367	CS 3/8-16X1 (NIN)	4		L50269	CS 3/8-16X2-1/4 (NIN)	2
13	P470519	PUMP CONTROL ARM	1	24	P470506	EXH.GUARD WELDMENT	1
	L50561	CS 5/16-18X1-3/4 (NIN)	1		L50367	CS 3/8-16X1 (NIN)	2
14	P252400	RUBBER GRIP	1	25	L49236	CIRCUIT BREAKER 15AMP	1
15	L42853	HOURMETER	1	26	L41848	HORN BUTTON SWITCH	2
16	P470494	LINKAGE TUBE WELD	1				

Right Side Backwall - Group 2 of 2

See Hyd. Sys. Pages For Tubes, Hoses & Ftgs.

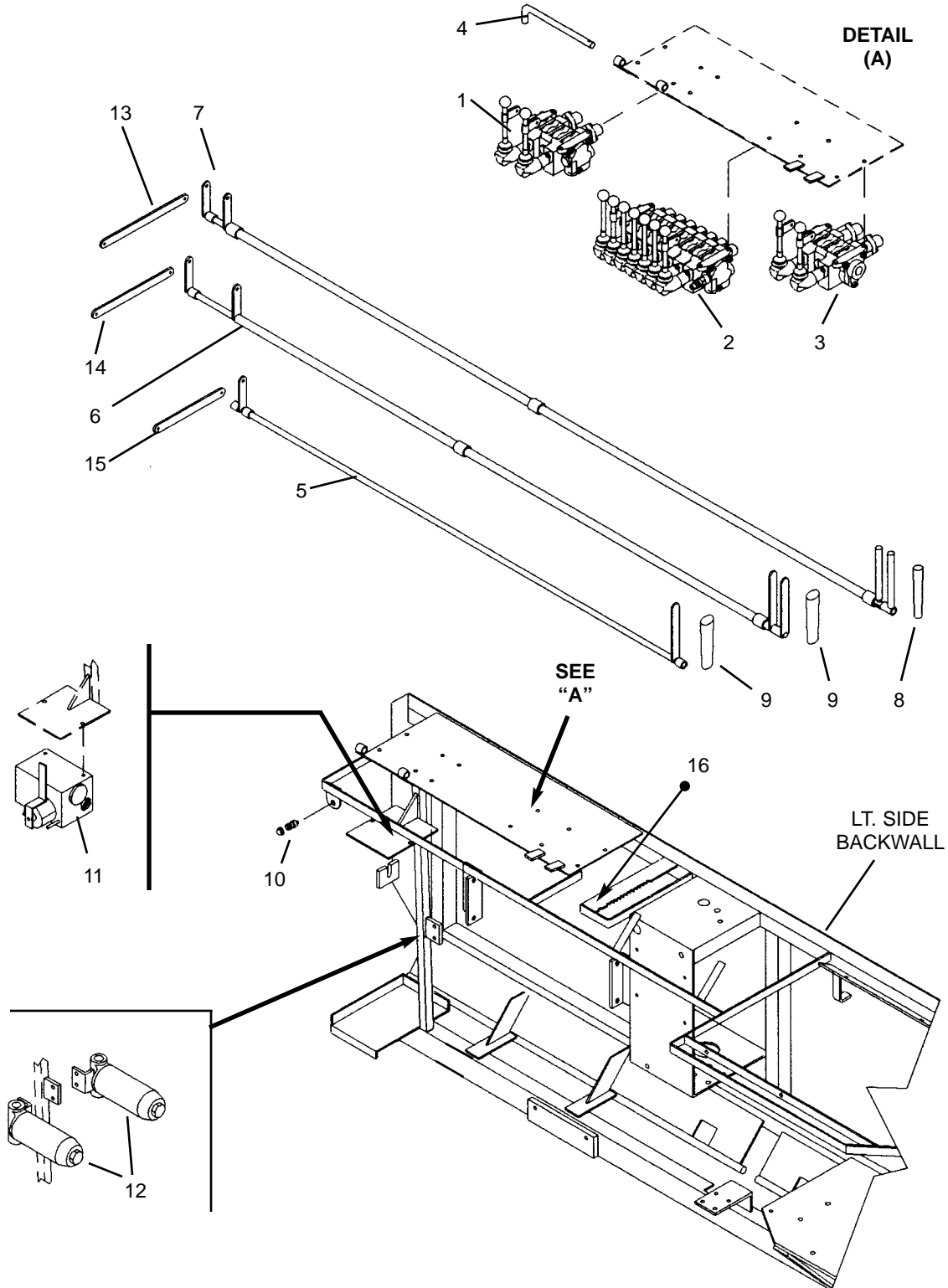


Right Side Backwall - Group 2 of 2

Ref. No.	Part No.	Description	Qty. Req.	Ref. No.	Part No.	Description	Qty. Req.
<i>a</i>	<i>Units Shipped Prior 11/95.</i>						
1	P050200	THROTTLE CABLE	1	12	P047400	BUSHING	1
	P470678	COUPLER NUT	1	13	P030100	V-BELT	2
	L50655	SCREW #10-24X1/2.	1	14	P373200	SHEAVE PULLEY	1
2	P470663	THROTTLE LINK.PLATE.	1	15	P312300	AUGER PUMP MT. PLATE	1
3	P470672	ENG. STOP BRACKET	1	16 ^a	P374600	DUAL GEAR PUMP	1
	P349950	RUBBER MOUNT PAD	4		P042400	CS 716-14X1-1/2 (L,N).	2
4	P471343	THROTTLE MOUNT	1	17 ^a	P376300	TANDUM PUMP	1
05 ^b	P700462	AMMETER LAMP	1		L50286	CS 1/2-13X1-3/4 (NIN).	2
06 ^b	P700463	OIL PRESS. LAMP	1	18 ^c	<i>Note e</i>	COUPLING	1
07	P408000	START KEYSWITCH.	1	19 ^c	<i>Note e</i>	SHEAVE/PUMP ADAPTER.	1
	P275475	KEY ONLY	1		L50952	CS M10-1.25X25 (L)	8
08 ^b	P700464	CONTROL BOX ASY.	1	19 ^d	<i>Note e</i>	PUMP ADAP. PULLEY SHEEVE. . .	1
09	P013550	EXH. MANIFOLD WELD.	1	20 ^d	<i>Note e</i>	RUBBER FLEX COUPLER.	1
	P700295	MANIFOLD GASKET	1		L50688	CS M10X1.5X30MM.	4
10	P057600	AIR CLEANER SCREEN.	1	21	P470513	PUMP COVER WELDMENT.	1
11 ^b	P222100	ENGINE ASY. -Incl:	1		L50367	CS 3/8-16X1 (L)	2
	P218800	OIL FILTER ELEMENT.	1	22	P012750	BELL HOUSING WELD.	1
	P217500	FUEL FILTER	1		L50972	CSGR8.8 M10X1.5.	10
	P405700	STARTER	1			(10) 7/16 L	
	P379830	REGULATOR	1	<i>a</i>	<i>Refer to Hyd. Comp. Pages for Breakdown.</i>		
	P002200	ALTERNATOR	1	<i>b</i>	<i>Engine Parts Available Thru Local Lombardini Engine Dealers.</i>		
	P349950	ENGINE MOUNT	4	<i>c</i>	<i>Used on T650BD, Thru S/N 3532.</i>		
	L510027	CS 5/8-11X2-1/4 (NIN)	4	<i>d</i>	<i>Used on T650BD, S/N 3533 & Up.</i>		
				<i>e</i>	<i>Pulley/Coupler Repl. Kit, Use P/N P700424.</i>		

Left Side Backwall - Group 1 of 2

See Hyd. Sys. Pages For Tubes, Hoses & Ftgs.

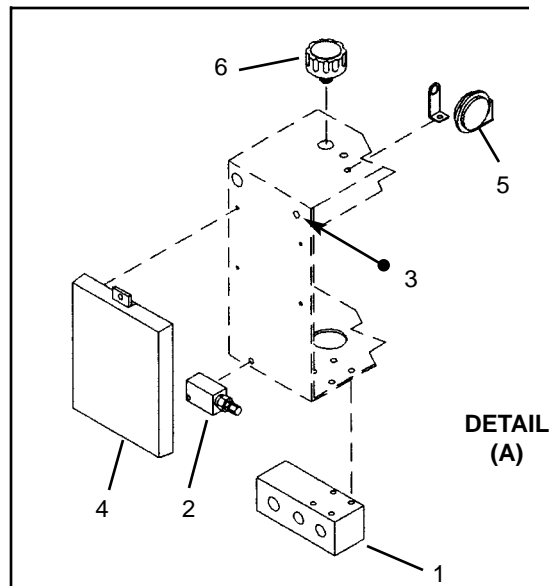
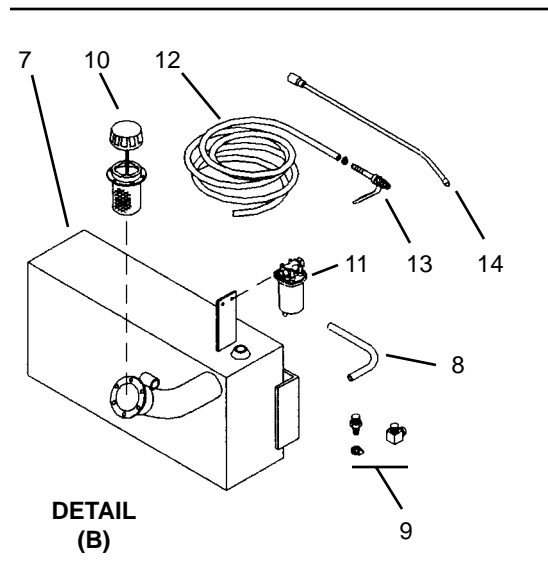
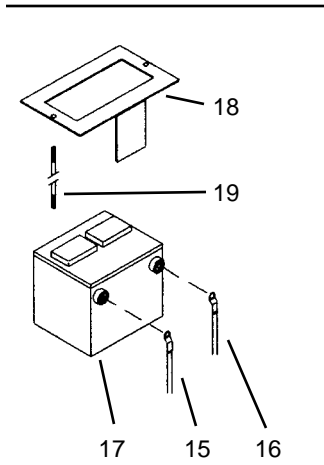
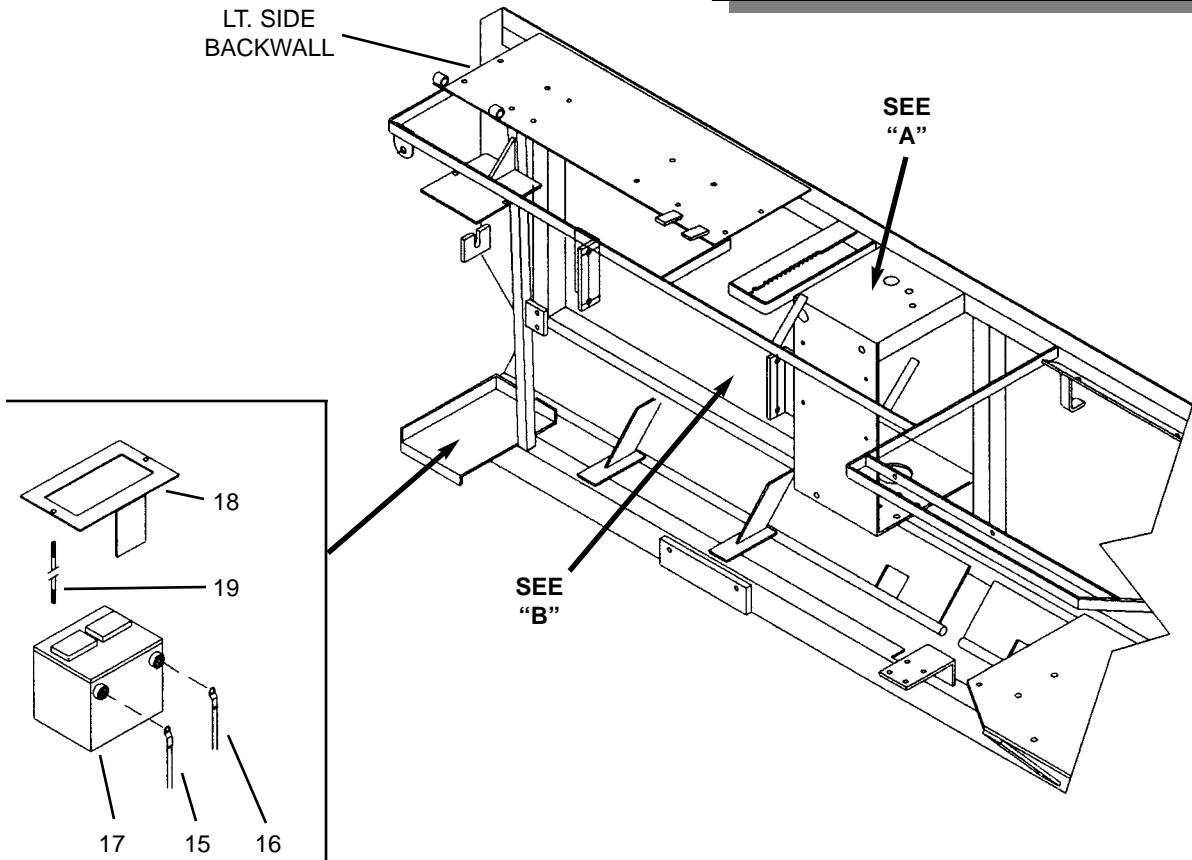


Left Side Backwall - Group 1 of 2

Ref. No.	Part No.	Description	Qty. Req.	Ref. No.	Part No.	Description	Qty. Req.
01 ^a	P420778	DRIVE VALVE	1		L50137	(8) 1/4 P	
	L50403	CS 3/8-16X1-1/4 (SFN)	4	14	L50607	COTTER PIN 1/8X1	4
02 ^a	<i>Note b</i>	7-STACK CONTROL VALVE	1		P143300	SHORT CONTL. LEG 12"	1
03 ^a	P420750	AUGER VALVE	1		L40626	CLEVIS PIN 1/4X51/64	2
03 ^{ad}	P471172	AUGER VALVE	1		L50137	(4) 1/4 P	
04	P470246	DRIVE CONTL. STOP.	1	15	L50607	COTTER PIN 1/8X1	2
	P359690	HAIR PIN	1		P143200	CONTROL LINK 10-1/4.	2
	L50403	CS 3/8-16X1-1/4 (SFN)	4		L40626	CLEVIS PIN 1/4X51/64	4
05	P015575	DUAL AUGER CONTROL.	1		L50607	(8) 1/4 P	
06	P012385	DUAL EXT./FLOOR CONTROL . . .	1	16	L62277	COTTER PIN 1/8X1	4
07	P013275	DUAL DRIVE CONTROL	1			NEUTRAL START SWITCH	1
08	P252600	RUBBER GRIP 5/8"	2			(1) 3/4-16 N	
09	P252400	RUBBER GRIP 3/4"	3	<i>a</i>		<i>Refer to Hyd. Comp. Pages for Breakdown.</i>	
10	L41848	HORN BUTTON SWITCH.	1	<i>b</i>		<i>T650B, Thru S/N 6060 & T650BD, Thru S/N 3598;</i>	
11 ^a	P414950	STEER VALVE.	1			<i>Use P/N P418200.</i>	
	L50273	CS 3/8-16X2-3/4 (SFN)	3			<i>T650BD, S/N 6061 & Up & T650BD, S/N 3599</i>	
11 ^{ac}	P471304	MODULAR STEER VALVE	1	<i>c</i>		<i>& Up; Use P/N P471433.</i>	
12 ^a	P223600	HIGH PRESS. FILTER	2			<i>Used on T650B, S/N 6029 & Up.</i>	
	L50261	CS 3/8-16X1-1/2 (SFN)	2			<i>Used on T650BD, S/N 3561 & Up.</i>	
		(2) 3/8-16 (SFN)		<i>d</i>		<i>Used on T650B, S/N 6032 & Up.</i>	
13	P137200	LONG CONTL. LEG 13"	2			<i>Used on T650BD, S/N 3565 & Up.</i>	
	L40626	CLEVIS PIN 1/4X51/64	4				

Left Side Backwall - Group 2 of 2

See Hyd. Sys. Pages For Tubes, Hoses & Ftgs.



Left Side Backwall - Group 2 of 2

Ref. No.	Part No.	Description	Qty. Req.	Ref. No.	Part No.	Description	Qty. Req.
					P036300	CS 1/4-20X1/2	2
01 ^c	P470566	MANIFOLD	1	12	P470670	SPRAY WAND HOSE ASY.	1
02	P420600	RELIEF VALVE	1	13	P400400	SPRAYER NOZZLE VALVE	1
	L50841	CS 1/4-20X2 (SFN)	1		L75906	CLAMP 3/8"	1
03	P409000	WASH TOGGLE SWITCH.	1	14	P400200	EXTENSION WAND	1
04	L62459	MANUAL STORAGE BOX.	1	15 ^b	P470402	NEGATIVE (GROUND) CABLE	1
	L50214	CS 1/4-20X1 (P,NIN)	2	15 ^a	P470677	NEGATIVE (GROUND) CABLE1	
05	L41847	HORN	1	16 ^b	P470904	POSITIVE CABLE.	1
06 ^c	P471247	BREATHER CAP.	1	16 ^a	P470676	POSITIVE CABLE.	1
07	P019100	SPRAY DOWN TANK WELD.	1	17	P023350	BATTERY	1
07 ^b	P470341	SPRAY DOWN TANK WELD.	1	18	P470111	COVER	1
08	P022800	HOSE BARB(Clear Hose)	1	18 ^d	P471229	COVER	1
08	L75906	CLAMP 3/8"	1			(2) 3/8-16 (SFN)	
08	L81690	MALE 90° ADAPTER.	1				
		(-6JIC/-4NPT)		a	<i>Used on T650BD (Diesel) Only.</i>		
09	P270900	CLEAR BREATHER HOSE 1/4" . . . 9"		b	<i>Used on T650B (Gas) Only.</i>		
09	P470669	HOSE (Spray Tank To Pump)	1	c	<i>Used on T650B, S/N 6041 & Up.</i>		
09 ^d	P470464	HOSE (Spray Tank To Pump)	1		<i>Used on T650BD, S/N 3584 & Up.</i>		
10	P470472	FILL CAP W/BREATHER	1	d	<i>Used on T650B, S/N 6025 & Up.</i>		
11	P375000	WASH PUMP.	1		<i>Used on T650BD, S/N 3557 & Up.</i>		
	L51827	STR. ADAPTER	1				
		(1/8NPT/—6JICM)					
	P470409	90° ADAPTER	1				
		(1/8NPT/6JICM)					

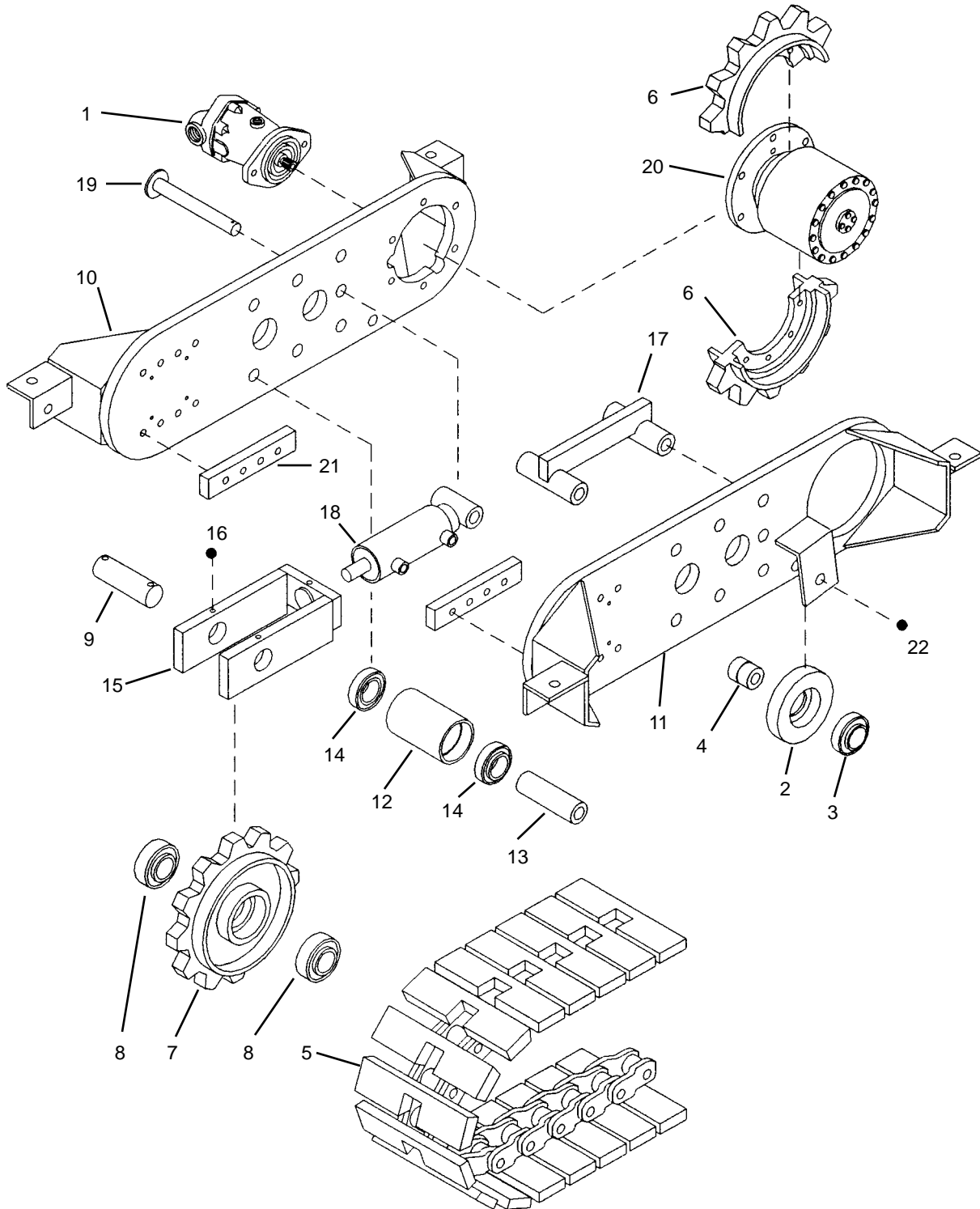
Lower Frame & Hopper Group

Ref. No.	Part No.	Description	Qty. Req.	Ref. No.	Part No.	Description	Qty. Req.
01	N/A	HYD. TANK WELDMENT	1		L50601	COTTER PIN	8
	L43221	MAGNETIC PLUG 1/2NPT	1	17 ^a	<i>Note g</i>	SIDE GATE CYLINDER	2
02	P013150	DIPSTICK PLUG	1	18	P359500	ROD END PIN W/CLIP	4
03	128299	STRAINER W/BYPASS	1	18 ^f	P47197	CLEVIS PIN	4
04	P024000	PILLOW BLOCK BEARING	6		L50601	COTTER PIN	8
	P042400	CS 7/16-14X1-1/2 (P)	2	19	P470851	LT. SIDE GATE WELD	1
05	P470606	PUSH ROLLER	2		P470850	RT. SIDE GATE WELD	1
06	P470014	ALIGNMENT SLIDE	1	20 ^b	P019525	RT. DRIVE TRACK ASY	1
	L277729	TS 3/8-16X1	1		P019530	LT. DRIVE TRACK ASY	1
07	P470481	GATE HINGE PIN	2		L50956	CSGR8 3/4-10X2-1/2 (N,L)	8
08	P311800	OUTSIDE MALE HUB	2	21	P470025	SAFETY PROP	2
	L50294	CS 1/2-13X3-1/2 (FL)	2		L50385	CSGR8 3/4-10X3 (P,NIN)	2
	P391200	AHSS 3/8-16X5/16	2	22	P162700	RT. WING FRAME	1
09	P012300	LH AUGER WELDMENT	1		P162750	LT. WING FRAME	1
	P012350	RH AUGER WELDMENT	1	23	P151150	FLOOR HING PIN	1
10	P311600	INSIDE FEMALE HUB	2	24 ^a	<i>Note g</i>	HOPPER LIFT CYL.	2
	L50294	CS 1/2-13X3-1/2 (FL)	2	25	P700147	ROD END PIN W/CLIP	2
	P391200	AHSS 3/8-16X5/16	2		P700148	BUTT END PIN W/CLIP	2
11 ^a	P347100	AUGER MOTOR	2	25 ^f	P471296	END PIN	2
11 ^{ae}	P480071	AUGER MOTOR	2		L50601	COTTER PIN	2
	L50251	CS 3/8-16X3/4	8	26	P014050	HOPPER FLOOR WELD	1
12 ^c	P470502	LH GATE WELD	1		P151500	LH HOPPER FLOOR WING	1
12 ^d	P471127	LH GATE WELD	1		P151550	RH HOPPER FLOOR WING	1
12 ^c	P470501	RH GATE WELD	1	<i>a</i>			
12 ^d	P471128	RH GATE WELD	1	<i>b</i>			
13	P136200	MOTOR COVER	2	<i>c</i>			
	L50251	CS 3/8-16X3/4 (L)	4	<i>d</i>			
14 ^c	P014950	GATE EXTEND ARM	2	<i>e</i>			
	L50894	CS 1/2-13X2-1/2 (L,NIN,P)	4	<i>f</i>			
14 ^d	P471052	GATE EXTEND ARM	2	<i>g</i>			
	L50956	CS 3/4-10X2-1/2 (P,NIN)	2				
15 ^a	<i>Note g</i>	GATE CYLINDER	2				
16	P359500	CLEVIS PIN W/CLIP	4				
16 ^f	P471297	CLEVIS PIN	4				

- a* Refer to Hyd. Comp. Pages For Breakdown.
- b* See Drive Track Pages for Breakdown.
- c* Used on T650B, Thru S/N 6004.
- Used on T650BD, Thru S/N 3530.
- d* Used on T650B, S/N 6005 & Up.
- Used on T650BD, S/N 3531 & Up.
- e* Used on T650B, S/N 6019 & Up.
- Used on T650BD, S/N 3547 & Up.
- f* Used on T650B, S/N 6031 & Up.
- Used on T650BD, S/N 3564 & Up.
- g* Refer to Part Number Stamped on Cyl. Tube.

Drive Track Assembly (RH Shown)

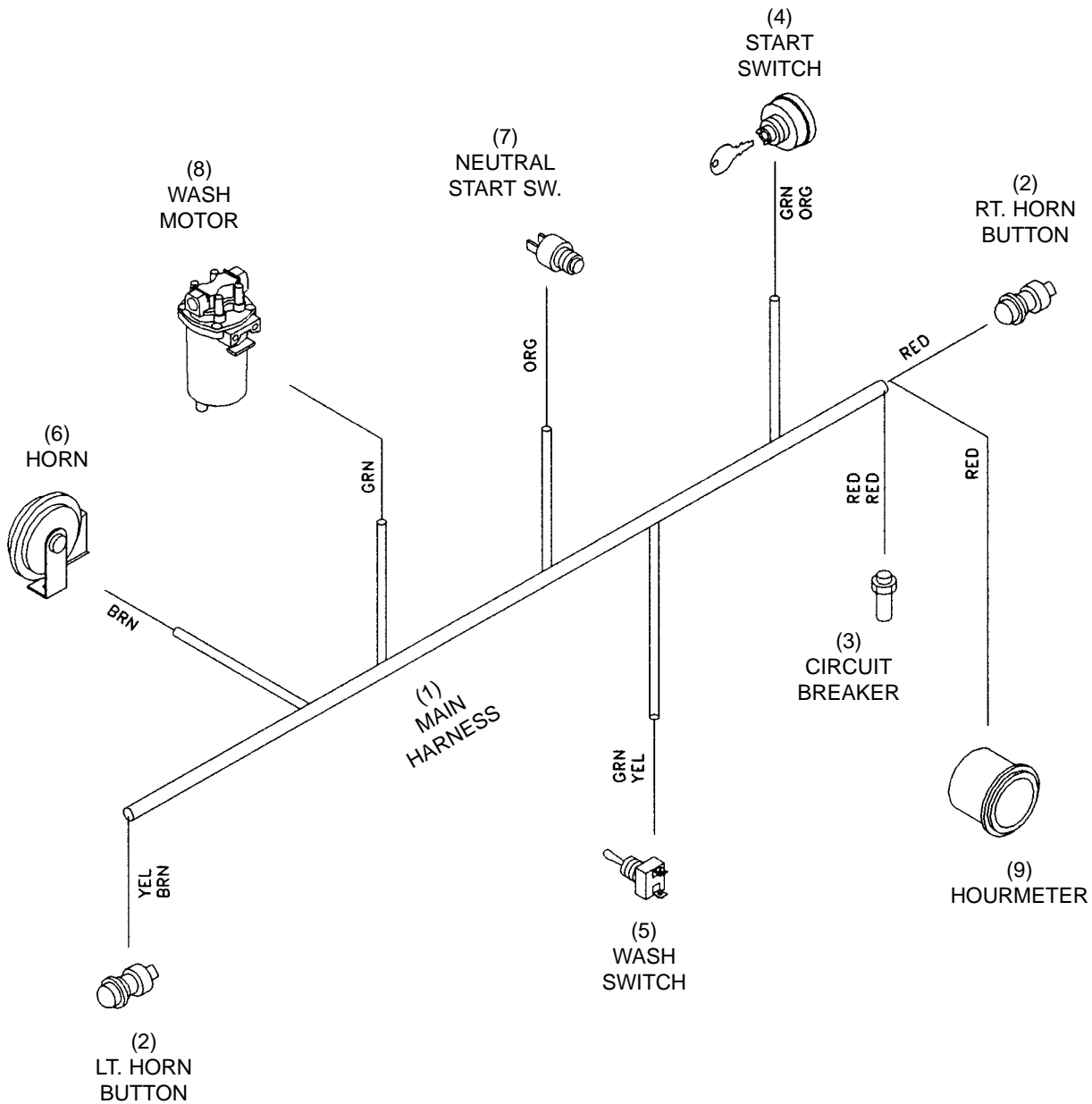
See Hyd. Sys. Pages For Tubes, Hoses & Ftgs.



Drive Track Assembly (RH Shown)

Ref. No.	Part No.	Description	Qty. Req.	Ref. No.	Part No.	Description	Qty. Req.
-	P019530	COMPL. LH TRACK ASY	1	14	P024500	BEARING.	6
	P019525	COMPL. RH TRACK ASY	1	15	P020650	TRACK ADJ. YOKE WELD.	1
01 ^a	P347550	DRIVE MOTOR	1	16	P392450	LOCK SETSCREW 1/2X1.	2
	L50599	CS 1/2-13X1-1/2 (L)	4	17	P470491	TRACK CHAIN SLIDE.	1
02	P314200	OUTRIGGER ROLLER	2		P032450	CS 1-1/8-7X10 (L)	2
03	P024500	BEARING.	2		P351400	NUT 1-1/8-7	2
04	P316380	SPACER	2	18 ^a	<i>Note b</i>	LH TENSION CYLINDER	1
05	P020500	TRACK W/PADS	1		<i>Note b</i>	RH TENSION CYLINDER.	1
	P187900	PAD ONLY	29		P421025	BREATHER VENT	1
	P362400	LINKAGE PIN.	1	19	P470493	MOUNT PIN WELDMENT.	1
	P362500	COTTER PIN (For Master Pin)	1		L50631	COTTER PIN 5/32X2	1
06	P480154	REAR DRIVE SPROCKET	1	20 ^a	P271900	TORQUE HUB.	1
07	P480153	FRONT IDLER SPROCKET	1		<i>Note c</i>	STUD	6
08	P024510	BEARING.	2		<i>Note d</i>	LUGNUT.	6
09	P313310	AXLE	2		P470584	WHL. BOLT 1/2-20.	8
	P392450	SHS 1/2X1	2	21	P316550	YOKE WEAR PLATE.	4
10	P470486	LH FRAME (Mtr. Side).	1		L50308	CS 5/8-11X2 (L)	16
	P470485	RH FRAME (Mtr. Side)	1	22	P032600	CS 1-8X4-1/2.	2
11	P470484	LH FRAME (Hub Side)	1				
	P470483	RH FRAME (Hub Side)	1	<i>a</i>		<i>Refer to Hyd. Comp. Pages For Breakdown.</i>	
12	P316235	ROLLER	3	<i>b</i>		<i>Refer to Part Number Stamped on Cylinder Tube.</i>	
13	P316370	SHAFT.	3	<i>c</i>		<i>Units w/ 5/8x2-5/8 Size, Use P/N P407000</i>	
	P032450	CS 1-1/8-7X10 (L)	3			<i>Units w/1/2x2 Size, Use P/N P406750.</i>	
	P351400	NUT 1-1/8-7	3	<i>d</i>		<i>Units w/5/8 Size, Use P/N P356800.</i>	
						<i>Units w/1/2 Size, Use P/N P356600.</i>	

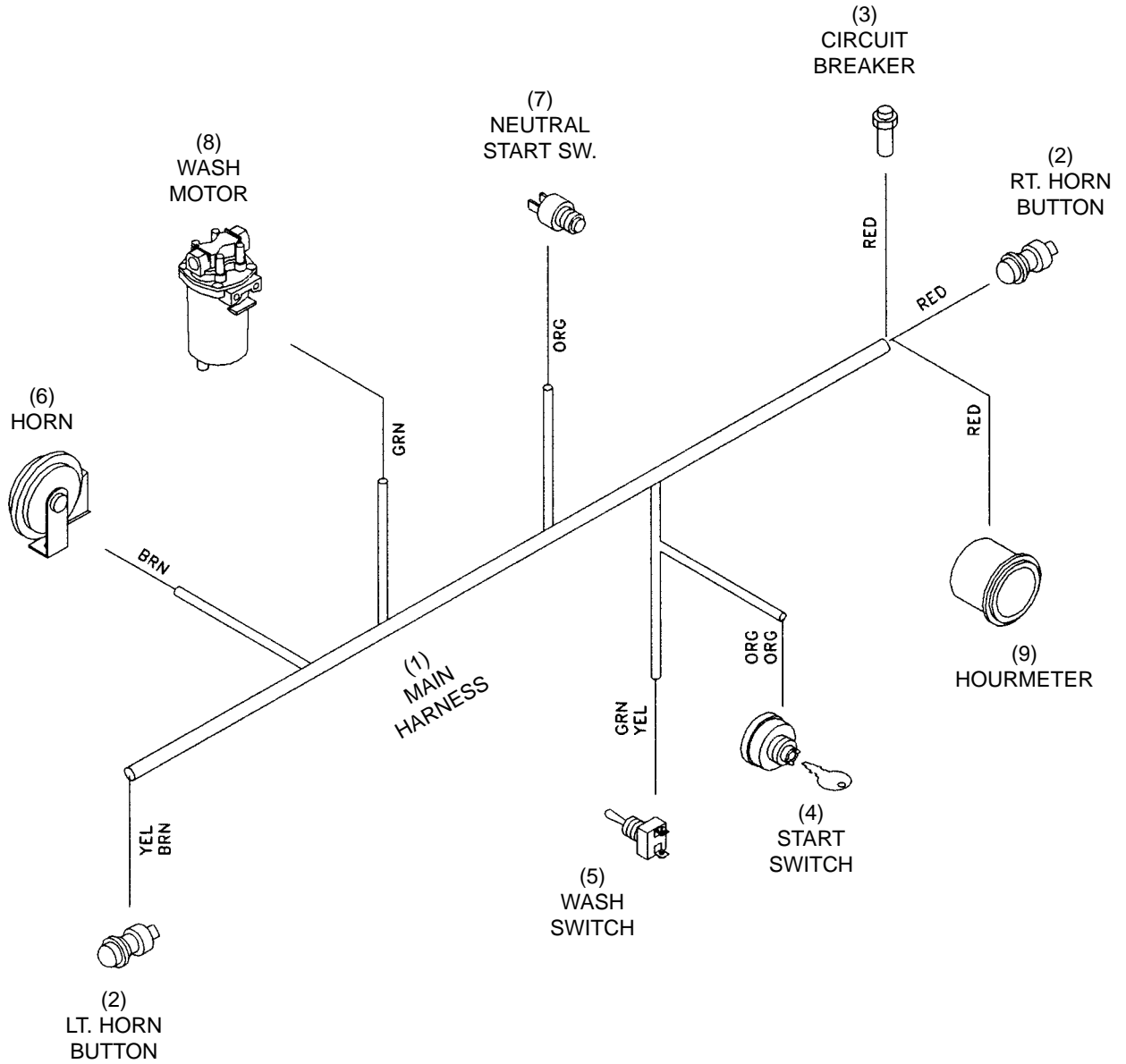
Main Wire Harness Hookup



Ref. No.	Part No.	Description	Qty. Req.	Ref. No.	Part No.	Description	Qty. Req.
01	P018607	MAIN HARNESS.....	1	06	L41847	HORN	1
01 ^a	P471147	MAIN HARNESS.....	1	07	L62277	NEUTRAL START SWITCH	1
02	L41848	HORN PUSHBUTTON	2	08	P375000	WASH PUMP.....	1
03	L49236	CIRCUIT BREAKER 20 AMP	1	09	L42853	HOURMETER	1
04	P409075	START SWITCH	1				
	P275450	KEY ONLY	1				
05	P409000	WASH TOGGLE SWITCH.....	1				

a Used on T650B, S/N 6021 & Up.

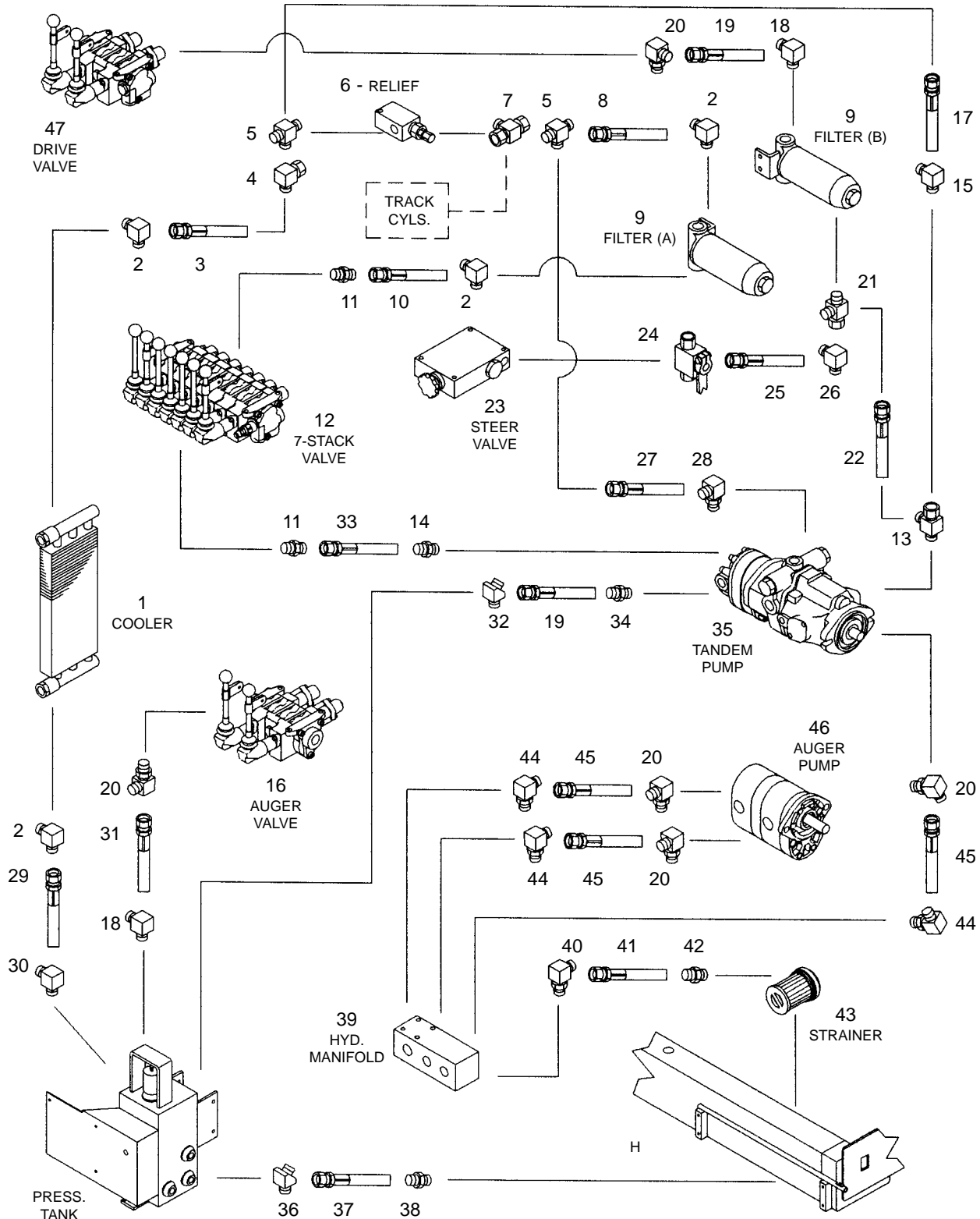
Main Wire Harness Hookup



Ref. No.	Part No.	Description	Qty. Req.	Ref. No.	Part No.	Description	Qty. Req.
01	P018605	MAIN HARNESS.....	1	06	L41847	HORN	1
01 ^a	P471148	MAIN HARNESS.....	1	07	L62277	NEUTRAL START SWITCH	1
02	L41848	HORN PUSHBUTTON	2	08	P375000	WASH PUMP.....	1
03	L49236	CIRCUIT BREAKER 20AMP.....	1	09	L42853	HOURMETER	1
04	P408000	START SWITCH	1				
	P275475	KEY ONLY	1				
05	P409000	WASH TOGGLE SWITCH.....	1				

^a Used on T650BD, S/N 3552 & Up.

Pump/Reservoir Plumbing With Hydraulic Pressure Tank - Thru S/N 6040

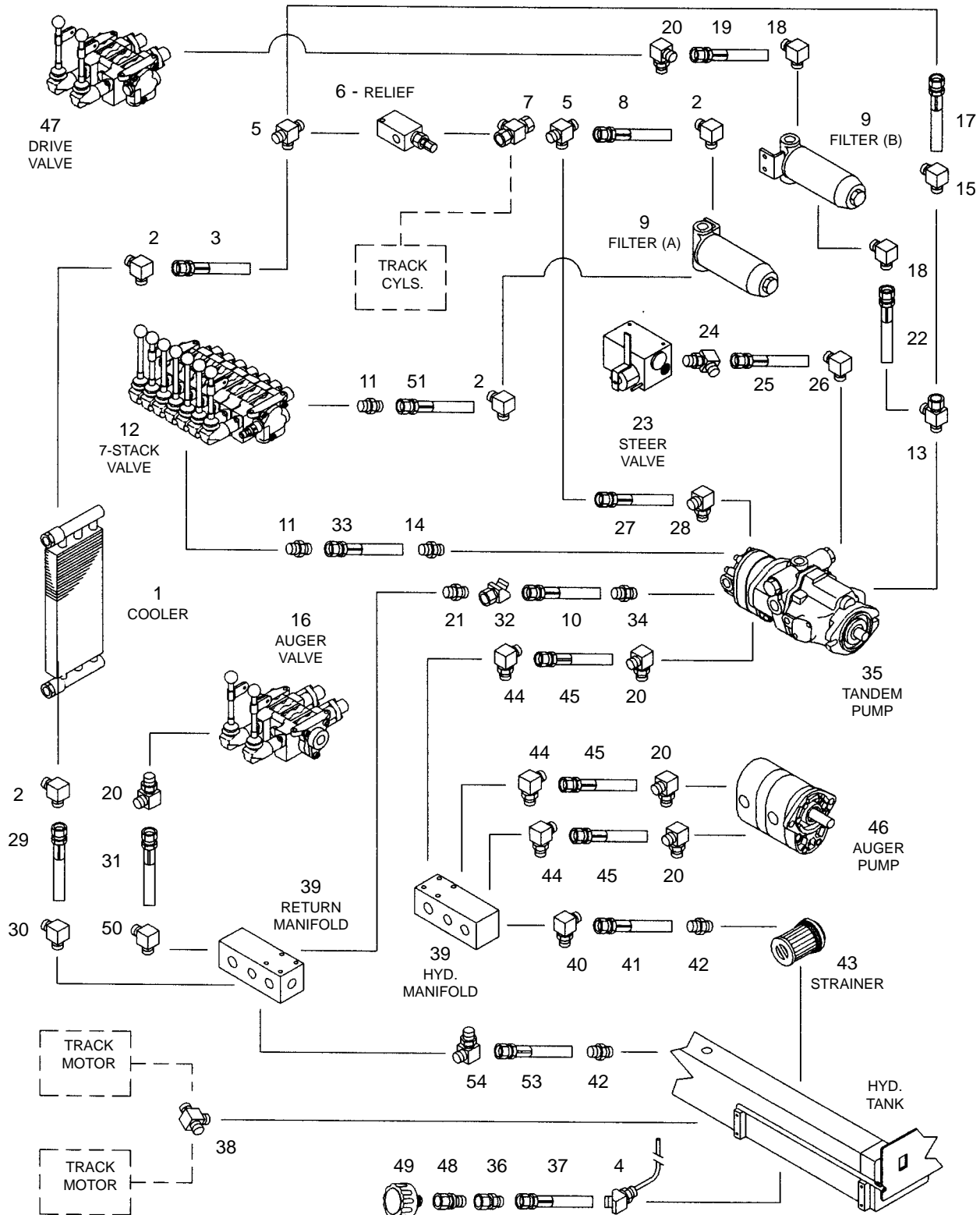


Pump/Reservoir Plumbing
With Hydraulic Pressure Tank - Thru S/N 6040

Ref. No.	Part No.	Description	Qty. Req.	Ref. No.	Part No.	Description	Qty. Req.
01	P061400	COOLER	1	25	P254007	HOSE ASY. -4X16"	1
02	L61572	MALE 90° ELBOW (3/4P/-8JIC)	4	26	L442022	MALE 90° ELBOW (1/4P/-4JIC) ...	1
03	P260900	HOSE ASY-8	1	27	P266900	HOSE ASY. -8X25"	1
04	L446017	MALE 90° SWVL. ELBOW (-8JICSVL/-8JIC)	1	28	L445002	MALE 90° ELBOW (-8OR/-8JIC) ..	1
05	L443002	MALE TEE (3/8P/-8JIC/-8JIC)....	2	29	P261200	HOSE ASY. -8X63"	1
06 ^a	P420600	RELIEF VALVE (3/8P)	1	30	L442003	MALE 90° ELBOW (1/2MP/-8JIC)..	1
07	P233350	TEE (3/8P/3/8FP/3/8FP)	1	31	P256100	HOSE ASY. -12X34"	1
08	P260275	HOSE ASY-8X35"	1	32	L442011	MALE 45° ELBOW (1/2P/-8JIC) ...	1
09 ^a	P223600	HI-PRESS. FILTER	2	33	P260775	HOSE ASY. -8X48"	1
10	P259525	HOSE ASY. -8X20"	2	34	L60440	STR. MALE CONNTR. (-6OR/-8JIC)	1
11	L444004	STR. MALE CONNTR. (-8OR/-8JIC)	2	35 ^a	P376300	TANDEM PUMP	1
12 ^a	P418200	7-STACK VALVE	1	36	L50425	MALE 45° ELBOW (1-1/4P/-20JIC)	1
13	P237000	TEE (3/8FP/-12ORM/-12JIC)	1	37	P257425	HOSE ASY. -20X79"	1
14	L445009	STR. MALE CONNTR. (-10OR/-8JIC)	1	38	P227700	STR. MALE CONNTR. (-20P/-20JIC)	1
15	P470673	MALE 90° ELBOW W/ORIFICE (3/8P/-8JIC)	1	39	P470566	HYDRAULIC MANIFOLD	1
16 ^a	P420750	AUGER VALVE	1	40	L51621	MALE 90° ELBOW (-16OR/-16JIC)	1
16 ^b	P471172	AUGER VALVE	1	41	P470915	HOSE ASY. -20X72"	1
17	P259500	HOSE ASY-8X24"	1	42	L51587	MALE STR. CONNTR. -20OR/-20JIC)	1
18	L442004	MALE 90° ELBOW (3/4P/-12JIC)	2	43	128299	STRAINER (-20ORF)	1
19	P254085	HOSE ASY. -12X28"	1	44	L61092	MALE 90° ELBOW (-16OR/-12JIC)	3
20	L445001	MALE 90° ELBOW (-12OR/-12JIC)	5	45	P470912	HOSE ASY. -12X17.5"	3
21	P470683	TEE (3/4MP/-12JICM/1/4FP)....	1	46 ^a	P374600	DUAL GEAR PUMP	1
22	P254090	HOSE ASY. -12X51"	1	47 ^a	P420778	DRIVE VALVE	2
23 ^a	P471312	STEER VALVE REPL. KIT	1				
23 ^a	P471316	STEER VALVE UPDATE KIT	1				
24 ^c	P414970	BALL VALVE (1/4FP/1/4FP)	1				
		MALE 90° ELBOW (1/4P/-4JIC)...	1				
		MALE 90° ELBOW (1/4P/1/4P) ...	1				

a Refer to Hyd. Comp. Pages For Breakdown.
b T650B Units S/N 6032 & Up.
c Not Used w/Repl. Kit P/N P471312.

Pump/Reservoir Plumbing No Hydraulic Pressure Tank - S/N 6041 & Up



Pump/Reservoir Plumbing
No Hydraulic Pressure Tank - S/N 6041 & Up

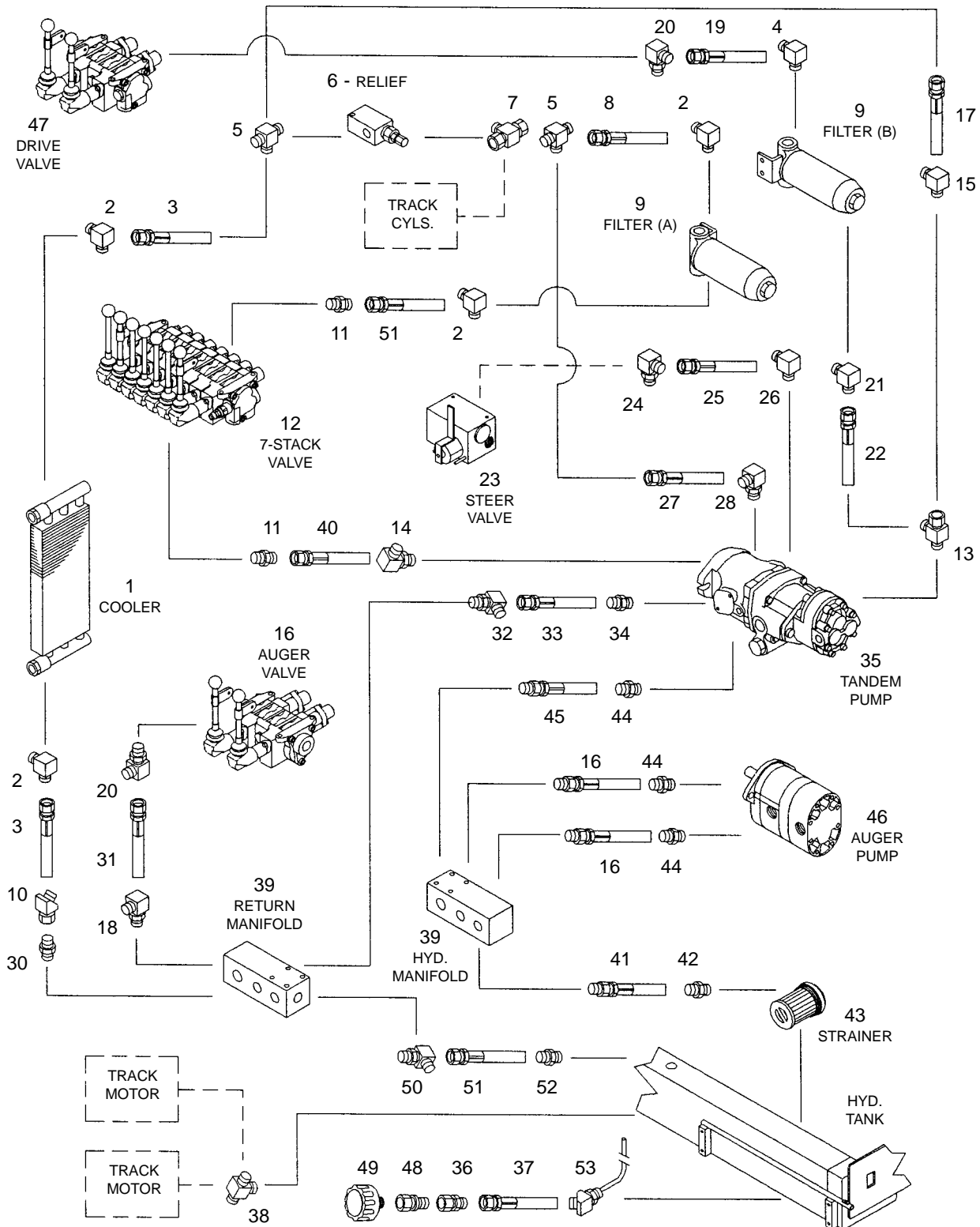
Ref. No.	Part No.	Description	Qty. Req.	Ref. No.	Part No.	Description	Qty. Req.
01	P061400	COOLER	1	31	P471400	HOSE ASY. -12X31"	1
02	L61572	MALE 90° ELBOW (3/4P/-8JIC)	4	32	L446024	SWVL. 45° ELBOW (-8JICM/-8JICFS)	1
03	P471401	HOSE ASY. -8X50"	1	33	P260775	HOSE ASY. -8X48"	1
04	P471339	MALE 45° STANDPIPE (-8OR/-8JIC)	1	34	L60440	STR. MALE CONNTR. (-12JICFS/-8JICM)	1
05	L443002	MALE TEE (3/8P/-8JIC/-8JIC)	2	35 ^a	P376300	TANDEM PUMP	1
06 ^a	P420600	RELIEF CHECK VALVE (3/8P)	1	36	L50425	STR. SWVL. REDUCER (1-1/4P/-20JIC)	1
07	P233350	TEE (3/8P/3/8FP/3/8FP)	1	37	P263000	HOSE ASY. -8X90"	1
08	P471402	HOSE ASY. -8X30"	1	38	L64660	MALE TEE (-8OR/-8JIC/-8JIC)	1
09 ^a	P223600	HI-PRESS. FILTER	2	39	P470566	MANIFOLD	2
10	P470928	HOSE ASY. -8X45"	2	40	P470952	MALE 90° ELBOW (-16OR/-20JIC)	1
11	L444004	STR. MALE CONNTR. (-8OR/-8JIC)	2	41	P470915	HOSE ASY. -20X72"	1
12 ^a	<i>Note b</i>	7-STACK VALVE	1	42	L51587	MALE STR.CONNTR (-20OR/-20JIC)	1
13	P237000	TEE (3/8FP/-12ORM/-12JIC)	1	43	128299	STRAINER (-20ORF)	1
14	L445009	STR. MALE CONNTR. (-10OR/-8JIC)	1	44	L61092	MALE 90° ELBOW (-16OR/-12JIC)	3
15	P470673	MALE 90° ELBOW W/ORIFICE (3/8P/-8JIC)	1	45	P470912	HOSE ASY. -12X17.5"	1
16	P471172	AUGER VALVE	1	46 ^a	P374600	DUAL GEAR PUMP	1
17	P266950	HOSE ASY. -8X27"	1	47 ^a	P420778	DRIVE VALVE	2
18	L442004	MALE 90° ELBOW (3/4P/-12JIC)	2	48	P471289	STR. SWVL. BULKHD. (-12NPTFS/-12JICM)	1
19	P254085	HOSE ASY. -12X28"	1	49	P471247	BREATHER CAP (-12NPTM)	1
20	L445001	MALE 90° ELBOW (-12OR/-12JIC)	5	50	L61092	MALE 90° ELBOW (-16OR/-8JIC)	1
21	P471399	MALE STR. CONNTR. (-16OR/-8JIC)	1	51	P259525	HOSE ASY. -8X20"	1
22	P254090	HOSE ASY. -12X51"	1	52	P227700	MALE STR. CONNTR. (-20P/-20JIC)	1
23 ^a	P471284	STEER VALVE	1	53	P470915	HOSE ASY. -20X72"	1
24	L61092	MALE 90° ELBOW (-16OR/-12JIC)	1	54	P470952	MALE 90° ELBOW (-16OR/-20JIC)	1
25	P471306	HOSE ASY. -12X63"	1				
26	L445001	MALE 90° (-12OR/-12JIC)	1				
27 ^a	P471172	AUGER VALVE	1				
28	L445002	MALE 90° ELBOW (-8OR/-8JIC) ..	1				
29	P261200	HOSE ASY. -8X63"	1				
30	L80788	MALE 90° ELBOW (-16OR/-8JIC)	1				

*a Refer to Hyd. Comp. Pages For Breakdown.
b Thru S/N 6050, Use P/N P418200.
S/N 6051 & Up, Use P/N P471433.*

Pump/Reservoir Plumbing
With Hydraulic Pressure Tank - Thru S/N 3583

Ref. No.	Part No.	Description	Qty. Req.	Ref. No.	Part No.	Description	Qty. Req.
01	P061400	COOLER	1	25	P254007	HOSE ASY. -4X16"	1
02	L61572	MALE 90° ELBOW (3/4P/-8JIC)	4	26	L442022	MALE 90° ELBOW (1/4P/-4JIC) . . .	1
03	P260900	HOSE ASY. -8x53"	1	27 ^a	P420778	DRIVE VALVE	2
04	L446017	MALE 90° SWVL. ELBOW (-8JICSVL/-8JIC)	1	28	L445002	MALE 90° ELBOW (-8OR/-8JIC) . .	1
05	L443002	MALE TEE (3/8P/-8JIC/-8JIC)	2	29	P261200	HOSE ASY. -8X63"	1
06 ^a	P420600	RELIEF VALVE (3/8P)	1	30	L442003	MALE 90° ELBOW (1/2MP/-8JIC) . .	1
07	P233350	TEE (3/8P/3/8FP/3/8FP)	1	31	P256100	HOSE ASY-12X34"	1
08	P260275	HOSE ASY. -8X35"	1	32	L442011	MALE 45° ELBOW (1/2P/-8JIC) . . .	1
09 ^a	P223600	HI-PRESS. FILTER	2			(1/2P/-8JIC)	
10	P259525	HOSE ASY. -8X20"	2	33	P260775	HOSE ASY-8X48"	1
11	L444004	STR. MALE CONNTR. (-8OR/-8JIC)	2	34	L60440	STR. MALE CONNTR. (-6OR/-8JIC)	1
12 ^a	P418200	7-STACK VALVE	1	35 ^a	P376300	TANDEM PUMP	1
13	P237000	TEE (3/8FP/-12ORM/-12JIC)	1	36	L50425	MALE 45° ELBOW (1-1/4P/-20JIC)	1
14	L445009	STR. MALE CONNTR. (-10OR/-8JIC)	1	37	P257425	HOSE ASY-20X79"	1
15	P470673	MALE 90° ELBOW W/ORIFICE (3/8P/-8JIC)	1	38	P227700	STR. MALE CONNTR. (-20P/-20JIC)	1
16 ^a	P420750	AUGER VALVE	1	39	P470566	MANIFOLD	1
16 ^{ab}	P471172	AUGER VALVE	1	40	L51621	MALE 90° ELBOW (-16OR/-16JIC)	1
17	P259500	HOSE ASY-8X24"	1	41	P470915	HOSE ASY. -20X72"	1
18	L442004	MALE 90° ELBOW (3/4P/-12JIC)	2	42	L51587	MALE STR.CONNTR -20OR/-20JIC)	1
19	P254085	HOSE ASY-12X28"	1	43	128299	STRAINER (-20ORF)	1
20	L445001	MALE 90° ELBOW (-12OR/-12JIC)	5	44	L61092	MALE 90° ELBOW (-16OR/-12JIC)	3
21	P470683	TEE (3/4MP/-12JICM/1/4FP)	1	45	P470912	HOSE ASY. -12X17.5"	3
22	P254090	HOSE ASY-12X51"	1	46 ^a	P374600	DUAL GEAR PUMP	1
23 ^a	P471312	STEER VALVE REPL. KIT	1				
23 ^a	P471316	STEER VALVE UPDATE KIT	1	<i>a</i>		<i>Refer to Hyd. Comp. Pages For Breakdown.</i>	
24 ^c	P414970	BALL VALVE (1/4FP/1/4FP)	1	<i>b</i>		<i>Units S/N 3564 & Up.</i>	
		MALE 90° ELBOW (1/4P/-4JIC)	1	<i>c</i>		<i>Not Used w/Repl. Kit P/N P471312.</i>	
		MALE 90° ELBOW (1/4P/1/4P)	1				

Pump/Reservoir Plumbing No Hydraulic Pressure Tank - S/N 3584 & Up



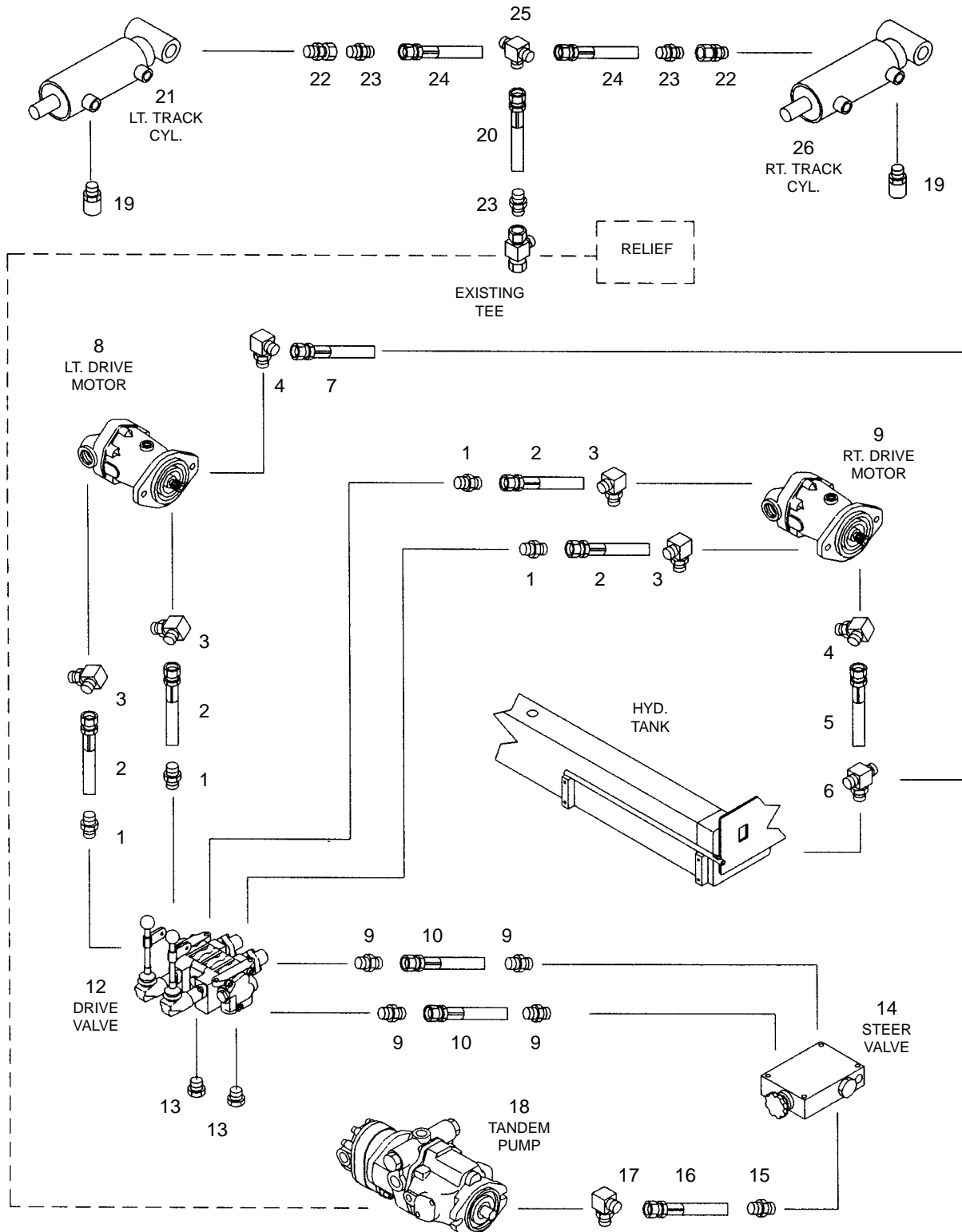
Pump/Reservoir Plumbing
No Hydraulic Pressure Tank - S/N 3584 & Up

Ref. No.	Part No.	Description	Qty. Req.	Ref. No.	Part No.	Description	Qty. Req.
01	P061400	COOLER	1	28	L445002	MALE 90° ELBOW (-8OR/-8JIC) ..	1
02	L61572	MALE 90° ELBOW	4	29	P261200	HOSE ASY. -8X63"	1
		(3/4P/-8JIC)		30	P471399	MALE STR. CONNTR.	1
03	P259525	HOSE ASY. -8X20"	2			(-16OR/-8JIC)	
04	L442004	MALE 90° ELBOW	1	31	P256100	HOSE ASY-12X34"	1
		(3/4P/-12JIC)		32	L80788	MALE 90° ELBOWQ	1
05	L443002	MALE TEE (3/8P/-8JIC/-8JIC)....	2			(-8JIC/-16OR)	
06 ^a	P420600	RELIEF VALVE (3/8P).....	1	33	P470533	HOSE ASY-8X86"	1
07	P233350	TEE (3/8MP/3/8FP/3/8FP).....	1	34	L60440	MALE STR. CONNTR.	1
08	P471402	HOSE ASY. -8X30"	1			(-6OR/-8JIC)	
09 ^a	P223600	HI-PRESS. FILTER	2	35 ^a	P376300	TANDEM PUMP	1
10	L446024	SWVL. 45° ELBOW	1	36	L446021	STR. SWVL. REDUCER.....	1
		(-8JICM/-8JICFS)	1			(-12JICFS/-8JICM)	
11	L444004	MALE STR. CONNTR.	2	37	P263000	HOSE ASY-8X90"	1
		(-8OR/-8JIC)		38	L64660	MALE TEE (-8OR/-8JIC/-8JIC) ...	1
12 ^a	<i>Note b</i>	7-STACK VALVE	1	39	P470566	MANIFOLD	2
13	P237000	TEE (3/8FP/-12ORM/-12JICM)....	1	40	P263000	HOSE ASY-8X90"	1
14	L445009	MALE 90° ELBOW	1	41	P470666	HOSE ASY-20X110"	1
		(-10OR/-8JIC)		42	L51587	MALE STR. CONNTR.	1
15	P470673	MALE 90° ELBOW W/ORIFICE ...	1			(-20OR/-20JIC)	
		(3/8P/-8JIC)		43	128299	STRAINER (-20ORF)	1
16	P470667	HOSE ASY. -12X32"	2	44	L444001	MALE STR. CONNTR.	3
17	P260900	HOSE ASY. -8X53"	1			(-12OR/-12JIC)	
18	L61092	MALE 90° ELBOW	1	45	P470668	HOSE ASY-12X28"	1
		(-16OR/-12JIC)		46 ^a	P374600	AUGER PUMP	1
19	P254085	MALE 90° ELBOW	5	47 ^a	P420778	DRIVE VALVE	1
		(-12OR/-12JIC)		48	P471289	STR. BULKHD. CONNTR.	1
20	L445001	MALE 90° ELBOW	5			(-12NPTF/-12JICM)	
		(-12OR/-12JIC)		49	P471247	BREATHER CAP (-12NPT).....	1
21	L442004	MALE 90° ELBOW	1	50	P470952	MALE 90° ELBOW	1
		(3/4P/-12JIC)				(-16OR/-20JIC)	
22	P254750	HOSE ASY. -12X51"	1	51	P257425	HOSE ASY-20X79"	1
23 ^a	P471284	STEER VALVE.....	1	52	P227700	MALE STR. CONNTR.	1
24	L61092	MALE 90° ELBOW	1			(-20P/-20JIC)	
		(-16OR/-12JIC)		53	P471339	MALE 45° STANDPIPE.....	1
25	P471307	HOSE ASY-12X96"	1			(-8JIC/-8OR)	
26	L445001	MALE 90° ELBOW	1				
		(-12OR/-12JIC)					
27 ^a	P471172	AUGER VALVE	1				

*a Refer to Hyd. Comp. Pages For Breakdown.
b Units Thru S/N 3598, Use P/N P418200.
Units S/N 3599 & Up, Use P/N P471433.*

Drive Valve & Motors Plumbing

With Hyd. Press. Tank - T650,B Thru S/N 6040 - T650BD, Thru S/N 3583



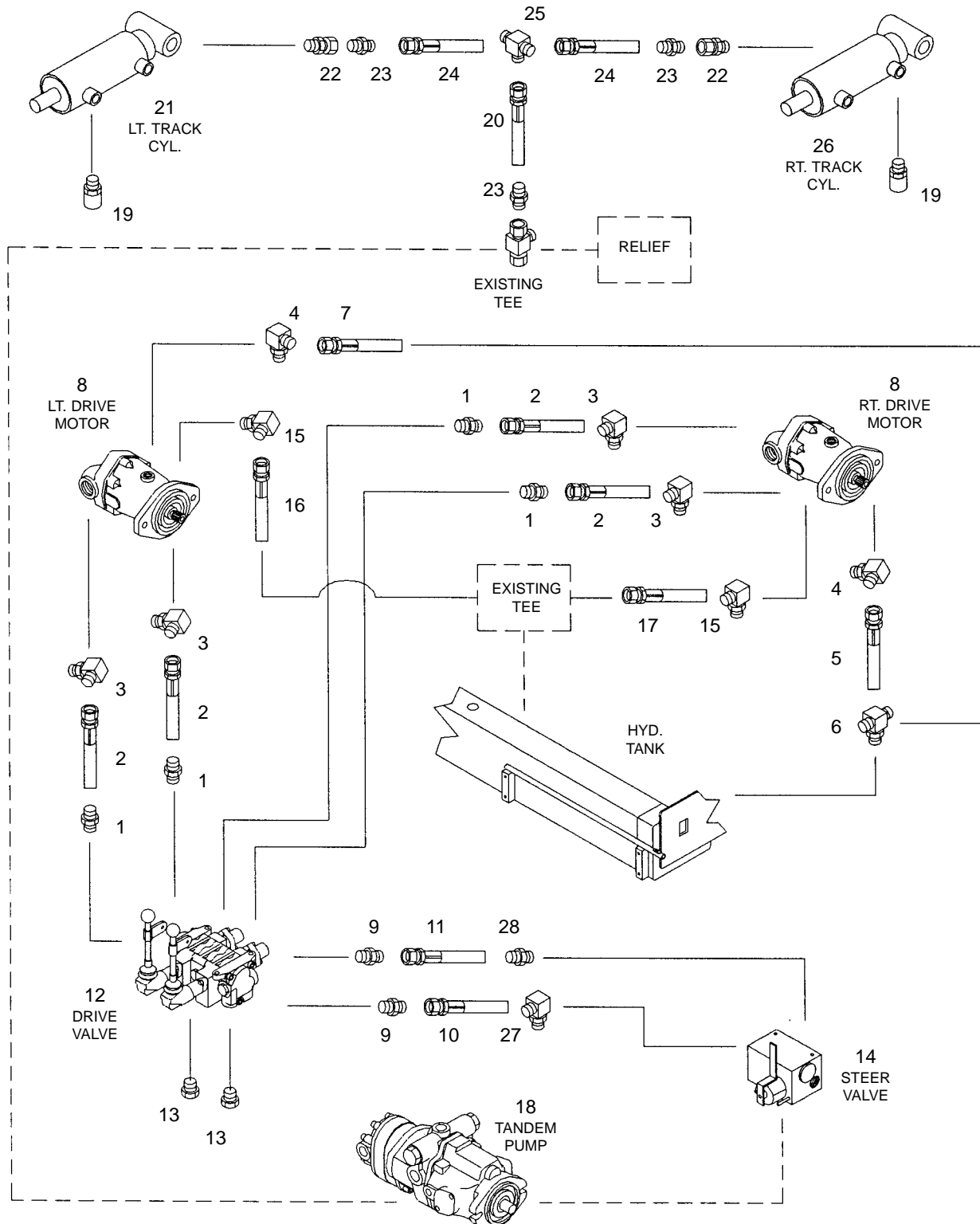
Drive Valve & Motors Plumbing

With Hyd. Press. Tank - T650B, Thru S/N 6040 - T650BD, Thru S/N 3583

Ref. No.	Part No.	Description	Qty. Req.	Ref. No.	Part No.	Description	Qty. Req.
01	L444004	MALE STR. CONNTR.	4	16 ^b	P254885	HOSE ASY. -12X71"	1
		(-8OR/-8JIC)		16 ^c	P254890	HOSE ASY. -12X106"	1
02	P266700	HOSE ASY. -8X206"	4	17	L445001	MALE 90° ELBOW	1
03	L80788	MALE 90° ELBOW	4	18 ^a	P376300	TANDEM PUMP	1
		(-16OR/-8JIC)		19	P412025	MALE VENT BREATHER (1/2P)	2
04	L445002	MALE 90° ELBOW	2	20	P254014	HOSE ASY. -4X56"	1
		(-8OR/-8JIC)		21 ^a	<i>Note f</i>	LH TENSION ADJ. CYLINDER	1
05	P258600	HOSE ASY. -8X130"	1	22	P232450	STR. CONNTR. (1/2MP/3/8FP)	2
06	L64660	MALE TEE (-8OR/-8JIC/-8JIC)	1	23	P227725	STR. MALE CONNTR.	3
07	P261375	HOSE ASY. -8X48"	1			(3/8MP/-4JIC)	
08 ^a	P347550	TRACK DRIVE MOTOR	2	24	P254020	HOSE ASY. -4X105"	2
09	L444008	MALE STR. CONNTR.	4	25	P231050	MALE TEE (-4JIC ALL ENDS)	1
		(-10OR/-8JIC)		26	<i>Note f</i>	RH TENSION ADJ. CYLINDER	1
10	P266950	HOSE ASY. -8X27"	1				
11	P266900	HOSE ASY. -8X25"	1	<i>a</i>	<i>Refer to Hyd. Comp. Pages For Breakdown.</i>		
12 ^a	P420778	DRIVE VALVE	2	<i>b</i>	<i>Used on T650BD (Diesel) Only.</i>		
13	L51814	PLUG (-10OR)	2	<i>c</i>	<i>Used on T650B (Gas) Only.</i>		
14 ^{ad}	P471312	STEER VALVE REPL. KIT	1	<i>d</i>	<i>Used on T650B, S/N 6033 & Up.</i>		
14 ^{ae}	P471316	STEER VALVE UPDATE KIT	1	<i>e</i>	<i>Used on T650BD, S/N 3565 & Up.</i>		
15	L444001	MALE STR. CONNTR.	1	<i>f</i>	<i>Refer to Part No. Stamped on Cylinder Tube.</i>		
		(-12OR/-12JIC)					

Drive Valve & Motors Plumbing

No Hyd. Press. Tank - T650B, S/N 6041 & Up - T650BD, S/N 3584 & Up,



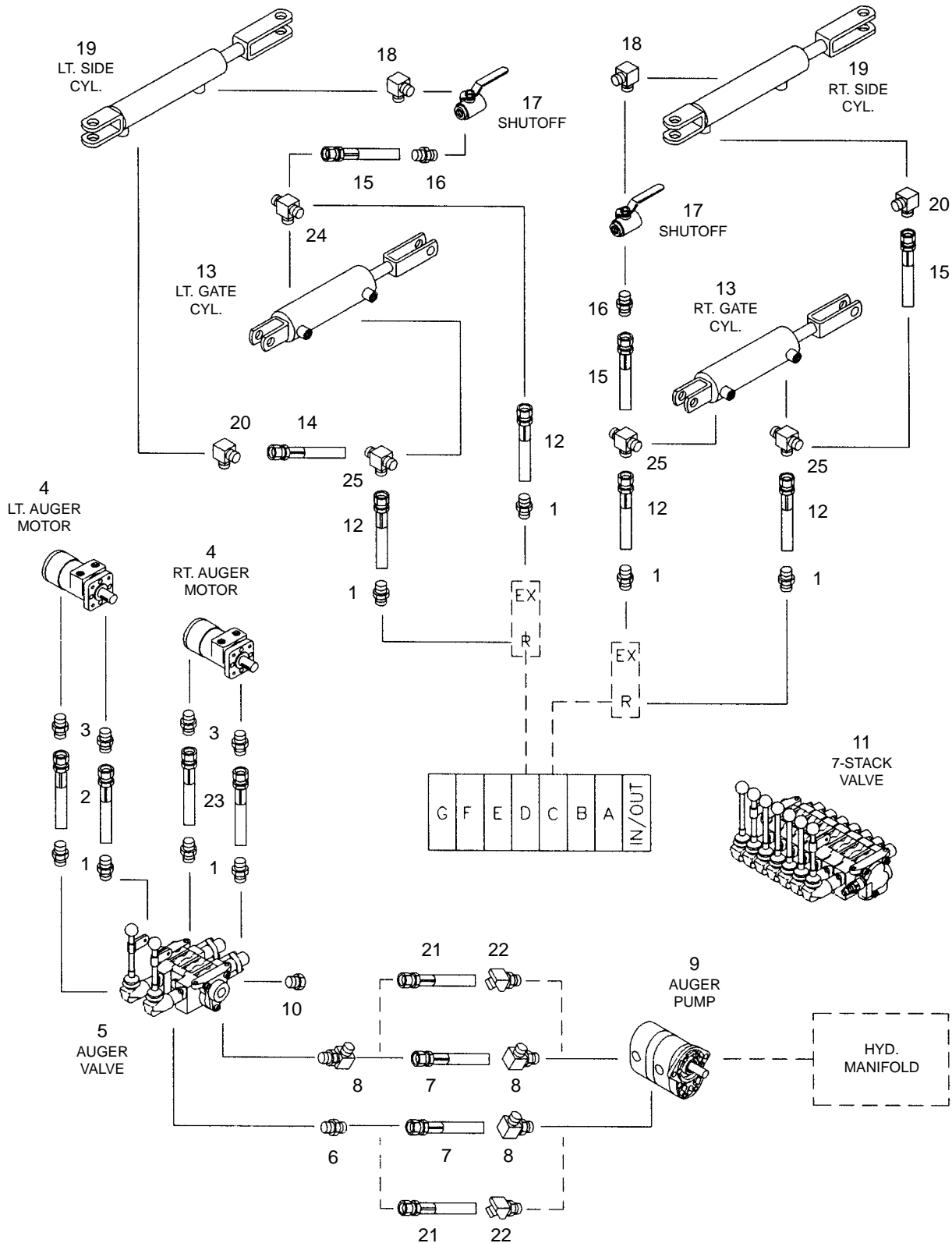
Drive Valve & Motors Plumbing

No Hyd. Press. Tank - T650B, S/N 6041 & Up - T650BD, S/N 3584 & Up

Ref. No.	Part No.	Description	Qty. Req.	Ref. No.	Part No.	Description	Qty. Req.
01	L444004	MALE STR. CONNTR. 4 (-8OR/-8JIC)	4	16	P261375	HOSE ASY. -8X68" 1	1
02	P266700	HOSE ASY-8X206" 4	4	17	L258600	HOSE ASY. -8X130" 1	1
03	L80788	MALE 90° ELBOW 4 (-16OR/-8JIC)	4	18 ^a	P376300	TANDEM PUMP 1	1
04	L445002	MALE 90° ELBOW 2 (-8OR/-8JIC)	2	19	P412025	MALE VENT BREATHER (1/2P)... 2	2
05	P258600	HOSE ASY-8X130" 1	1	20	P254014	HOSE ASY-4X56" 1	1
06	L64660	MALE TEE (-8OR/-8JIC/-8JIC) 1	1	21 ^a	P019250	LH TENSION ADJ. CYLINDER 1	1
07	P261375	HOSE ASY-8X48" 1	1	22	P232450	STR. CONNTR. (1/2MP/3/8FP)... 2	2
08 ^a	P347550	TRACK DRIVE MOTOR 2	2	23	P227725	STR. MALE CONNTR. 3 (3/8MP/-4JIC)	3
09	L444008	MALE STR. CONNTR. 2 (-10OR/-8JIC)	2	24	P254020	HOSE ASY. -4X105" 2	2
10	P266950	HOSE ASY. -8X27" 1	1	25	P231050	MALE TEE (-4JIC ALL ENDS)... 1	1
11	P266900	HOSE ASY. -8X25" 1	1	26 ^a	P019260	RH TENSION ADJ. CYLINDER... 1	1
12 ^a	P420778	DRIVE VALVE 2	2	27	L445006	MALE 90° ELBOW 1 (-12OR/-8JIC)	1
13	L51814	PLUG (-10OR)..... 2	2	28	L444003	MALE STR. CONNTR. 1 (-8OR/-8JIC)	1
14	P471284	STEER VALVE..... 1	1				
15	L445002	MALE 90° ELBOW..... 1 (-8OR/-8JIC)	1				

a Refer to Hyd. Comp. Pages For Breakdown.

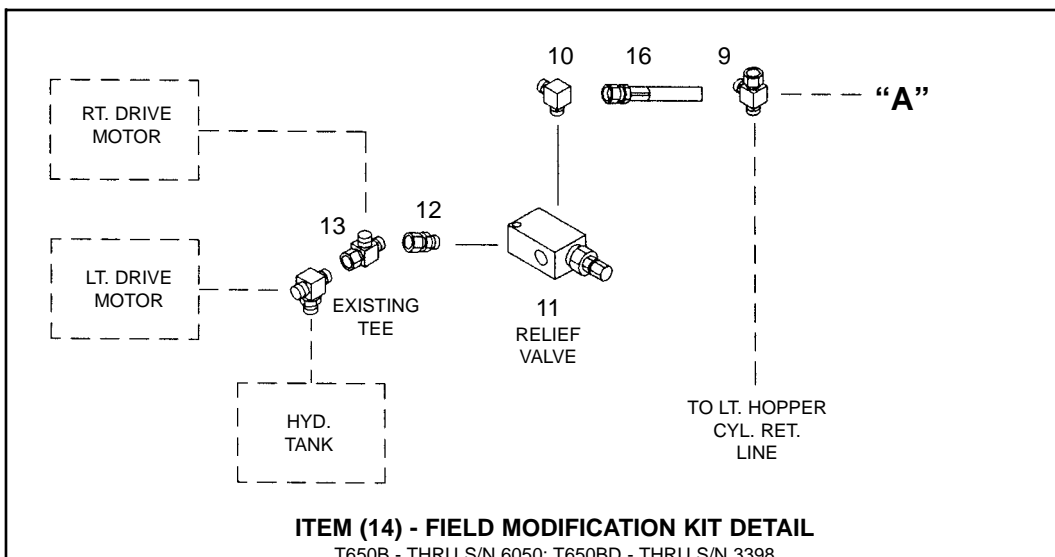
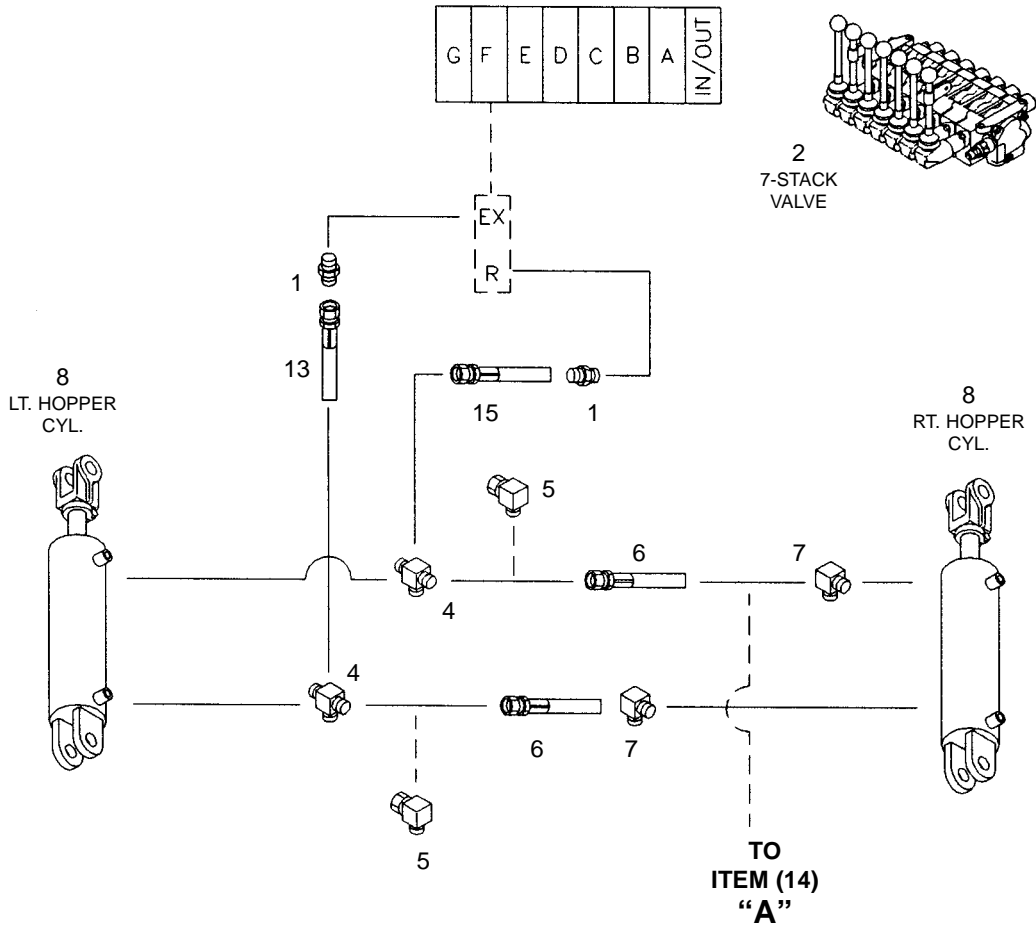
Augers & Gates Plumbing



Augers & Gates Plumbing

Ref. No.	Part No.	Description	Qty. Req.	Ref. No.	Part No.	Description	Qty. Req.
01	L277484	MALE STR. CONNTR.	10	18g	P471227	MALE 90° ELBOW (-6OR/3/8P) . . .	2
		(-8OR/-6JIC)		19 ^a	<i>Note h</i>	SIDE GATE CYLINDER	2
02	P254040	HOSE ASY-6X41"	2	20	L442009	MALE 90° ELBOW (3/8P/-6JIC) . . .	2
03	P227750	MALE STR. CONNTR.	4	20g	L445003	MALE 90° ELBOW (-6OR/-6JIC) . .	2
		(1/2P/-6JIC)		21 ^c	P263000	HOSE ASY-8X90"	2
03 ^e	L60258	MALE STR. CONNTR.	4	22 ^c	L51572	MALE 45° ELBOW (-10OR/-8JIC) . .	2
		(-8OR/-6JIC)		23	P254050	HOSE ASY-6X59"	2
04 ^a	P347100	AUGER MOTOR	2	24	P471213	MALE TEE (1/2P/-8JIC/-8JIC)	4
04 ^{ae}	P480071	AUGER MOTOR	2	25 ^f	L64660	MALE TEE (-8OR/-8JIC/-8JIC)	4
05 ^a	P420750	AUGER VALVE	1				
05 ^{ad}	P471172	AUGER VALVE	1	<i>a</i>	<i>Refer to Hyd. Comp. Pages For Breakdown.</i>		
06	P444008	MALE STR. CONNTR.	1	<i>b</i>	<i>Used on T650B (Gas) Only.</i>		
		(-10OR/-8JIC)		<i>c</i>	<i>Used on T650BD (Diesel) Only.</i>		
07 ^b	P260775	HOSE ASY-8X48"	2	<i>d</i>	<i>Used on T650B, S/N 6032 & Up.</i>		
08 ^b	L445009	MALE 90° (-10OR/-8JIC).	3		<i>Used on T650BD, S/N 3564 & Up.</i>		
09 ^a	P374600	AUGER PUMP	1	<i>e</i>	<i>Used on T650B, S/N 6020 & Up.</i>		
10	L51814	PLUG (10OR)	1		<i>Used on T650BD, S/N 3548 & Up.</i>		
11 ^a	<i>Note i</i>	7-STACK VALVE	1	<i>f</i>	<i>Used on T650B, S/N 6028 & Up.</i>		
12	P254035	HOSE ASY-6X101"	4		<i>Used on T650BD, S/N 3561 & Up.</i>		
12 ^f	P471178	HOSE ASY-6X101"	4	<i>g</i>	<i>Used on T650B, S/N 6035 & Up.</i>		
13 ^a	<i>Note h</i>	GATE CYLINDER	2		<i>Used on T650BD, S/N 3571 & Up.</i>		
14	P254056	HOSE ASY-6X68"	4	<i>h</i>	<i>Refer to Part No. Stamped on Cylinder Tube.</i>		
15 ^f	P471179	HOSE ASY-6X68"	4	<i>i</i>	<i>T650BD Thru S/N 3598 & T650B Thru S/N6050,</i>		
16	L51467	MALE STR. CONNTR (3/8P/-6JIC). 2			<i>Use P/N P418200.</i>		
17	P414980	SHUTOFF VALVE	2		<i>T650BD S/N 3599 & Up & T650B S/N 6051 & Up,</i>		
18	P232700	MALE 90° ELBOW (3/8P/3/8P).	2		<i>Use P/N P471433</i>		

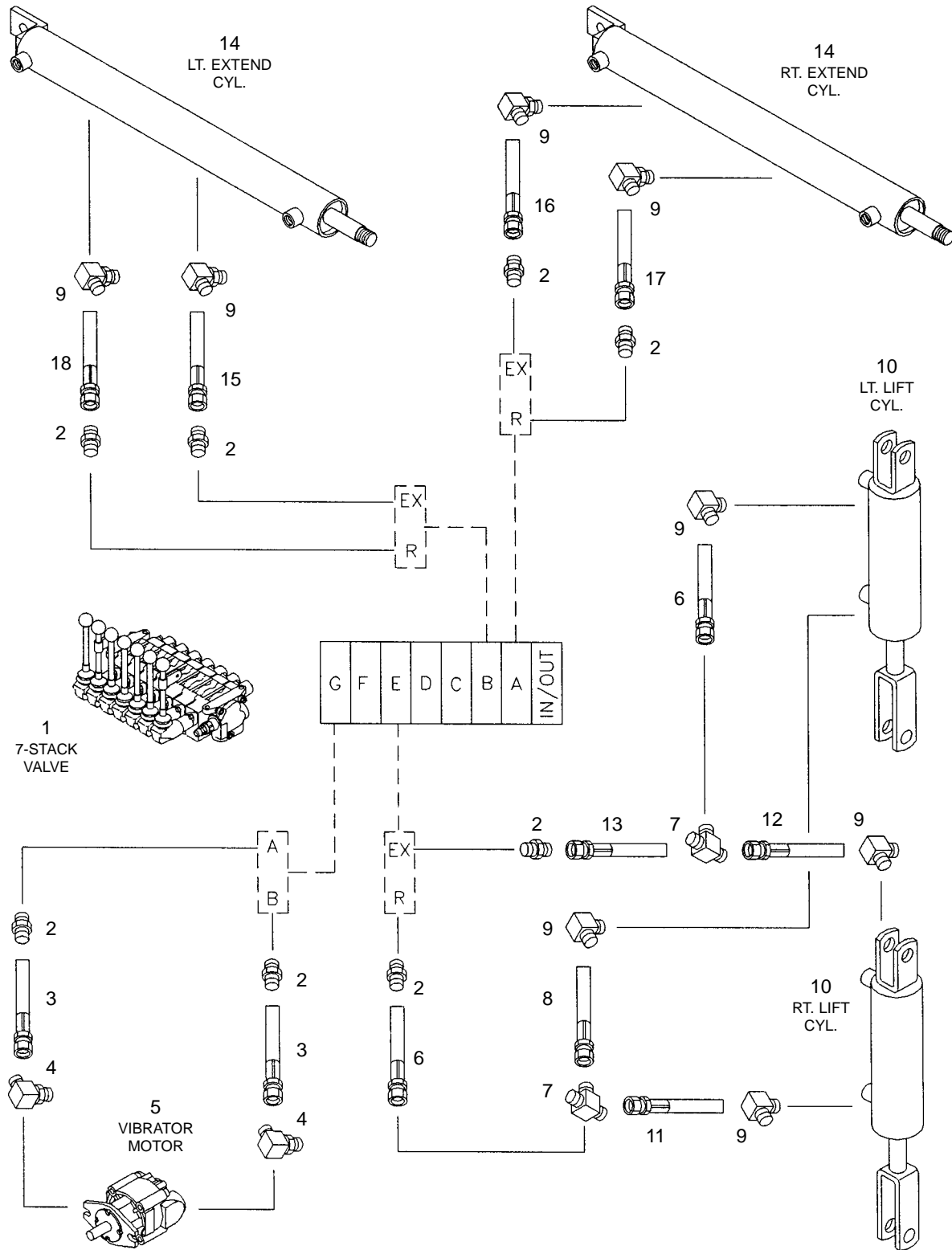
Hopper Lift Plumbing



Hopper Lift Plumbing

Ref. No.	Part No.	Description	Qty. Req.	Ref. No.	Part No.	Description	Qty. Req.
01	L277484	MALE STR. CONNTR.	10	13	L446026	SWVL. TEE (-8JICFS/-8JICM)	1
		(-8OR/-6JIC)		14	P471434	RET. CYL. RELIEF KIT	1
02 ^a	<i>Note e</i>	7-STACK VALVE	1			(Incl. Items 9-13 & 16)	
03	P254051	HOSE ASY-6X108"	1	15	P254035	HOSE ASY. -6X101"	4
04	P231110	MALE TEE (1/2P/-6JIC/-6JIC)....	2	16	P254036	HOSE ASY. -6X36"	1
04 ^c	L51762	MALE TEE (-6OR/-6JIC/-6JIC)	2				
05 ^d	L60653	SWVL. 90° ELBOW	2				
		(-6JICFS/-6JICM)		<i>a</i>		<i>Refer to Hyd. Comp. Pages For Breakdown.</i>	
06	P254036	HOSE ASY. -6X36"	2	<i>b</i>		<i>Refer to Part No. Stamped on Cylinder Tube.</i>	
07	L442019	MALE 90° ELBOW (1/2P/-6JIC) ...	2	<i>c</i>		<i>Used on T650B, S/N 6035 & Up.</i>	
07 ^c	L445003	MALE 90° ELBOW (-6OR/-6JIC) ...	2			<i>Used on T650BD, S/N 3571 & Up.</i>	
08 ^a	<i>Note b</i>	HOPPER LIFT CYLINDER	2	<i>d</i>		<i>Used on T650B, Thru S/N 6034.</i>	
09	L446049	SWVL. TEE (-6JICFS/-6JICM)	1			<i>Used on T650BD, Thru S/N 3570.</i>	
10	L442009	MALE 90° ELBOW (-6JIC/-6NPT)..	1	<i>e</i>		<i>T650BD Thru S/N 3598 & T650B Thru S/N 6050,</i>	
11	P420600	RELIEF	1			<i>Use P/N P418200.</i>	
12	P470877	STR. SWVL. CONNTR.....	1			<i>T650BD S/N 3599 Up & T650B S/N 6051 Up,</i>	
		(3/8MP/-8JICFS)				<i>Use P/N P471433.</i>	

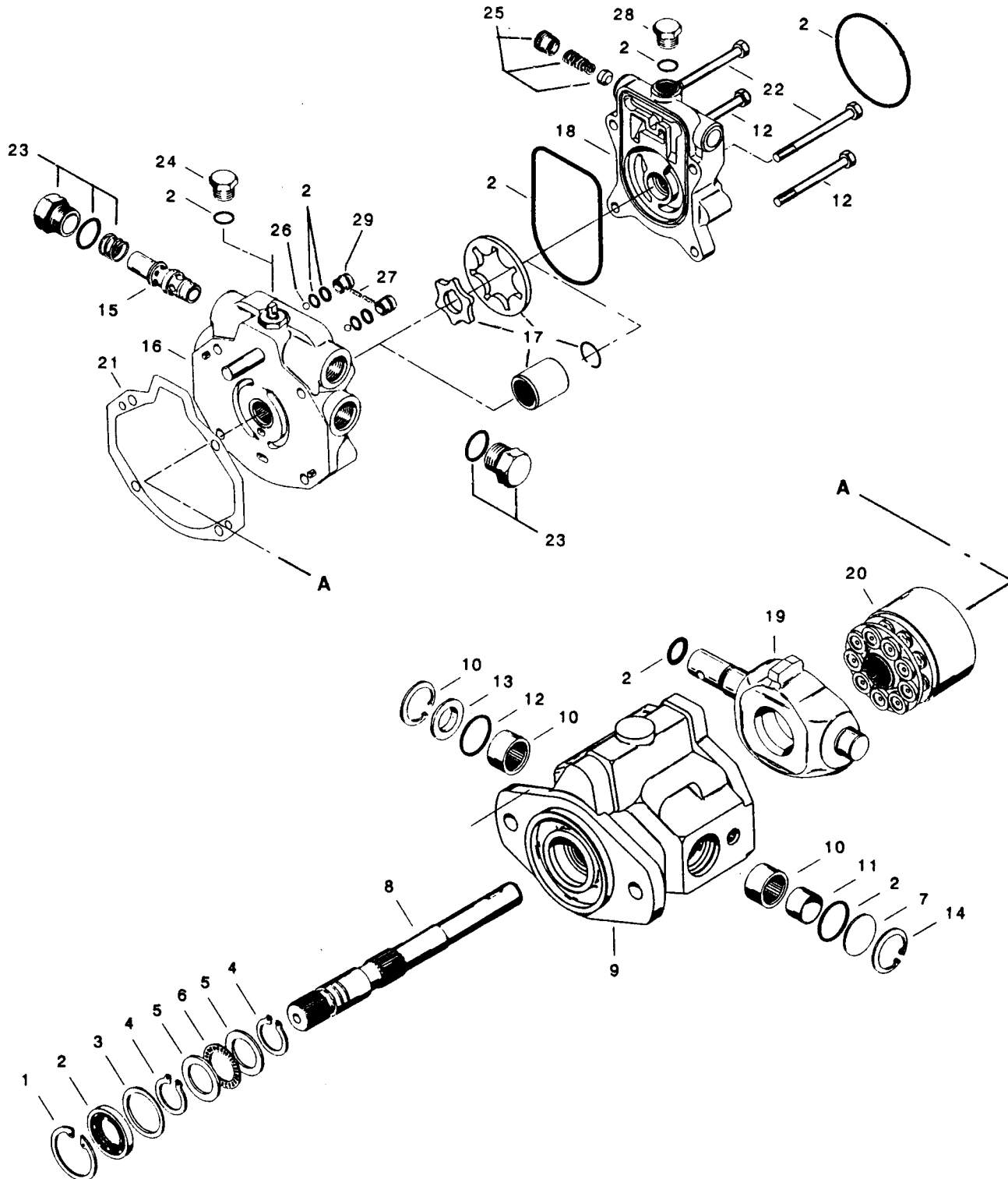
Screed Plumbing



Screed Plumbing

Ref. No.	Part No.	Description	Qty. Req.	Ref. No.	Part No.	Description	Qty. Req.
01 ^a	<i>Note c</i>	7-BANK VALVE	1	14 ^a	<i>Note d</i>	EXTEND CYLINDER.....	2
02	L277484	MALE STR. CONNTR.	8	15	P254038	HOSE ASY. -6X104"	1
		(-8OR/-6JIC)		16	P254051	HOSE ASY. -6X108"	1
03	P254057	HOSE ASY-6X74"	2	17	P254061	HOSE ASY. -6X128"	1
04	P470406	MALE 90° ELBOW (-10OR/-8JIC) .	2	18	P254059	HOSE ASY. -6X84"	1
05 ^a	P349450	VIBRATOR MOTOR	1				
06	P254033	HOSE ASY. -6X23"	2	<i>a</i>	<i>Refer to Hyd. Comp. Pages For Breakdown.</i>		
07	P470671	MALE TEE (-6JIC ALL ENDS).	2	<i>b</i>	<i>Used on T650BD, S/N 6035 & Up.</i>		
08	P254037	HOSE ASY. -6X33"	1		<i>Used on T650B, S/N 3571 & Up.</i>		
09	L442019	MALE 90° ELBOW (1/2P/-6JIC) ...	8	<i>c</i>	<i>T650BD Thru S/N 3598 & T650B Thru S/N 6050,</i>		
09 ^b	L445005	MALE 90° ELBOW (-8OR/-6JIC) ..	8		<i>Use P/N P418200.</i>		
10 ^a	<i>Note d</i>	LIFT CYLINDER	2		<i>T650BD S/N 3599 Up & T650B S/N 6051 Up,</i>		
11	P254051	HOSE ASY. -6X108"	1		<i>Use P/N P471433.</i>		
12	P254075	HOSE ASY. -6X98"	1	<i>d</i>	<i>Refer to Part No. Stamped on Cylinder Tube.</i>		
13	P254030	HOSE ASY. -6X14"	1				

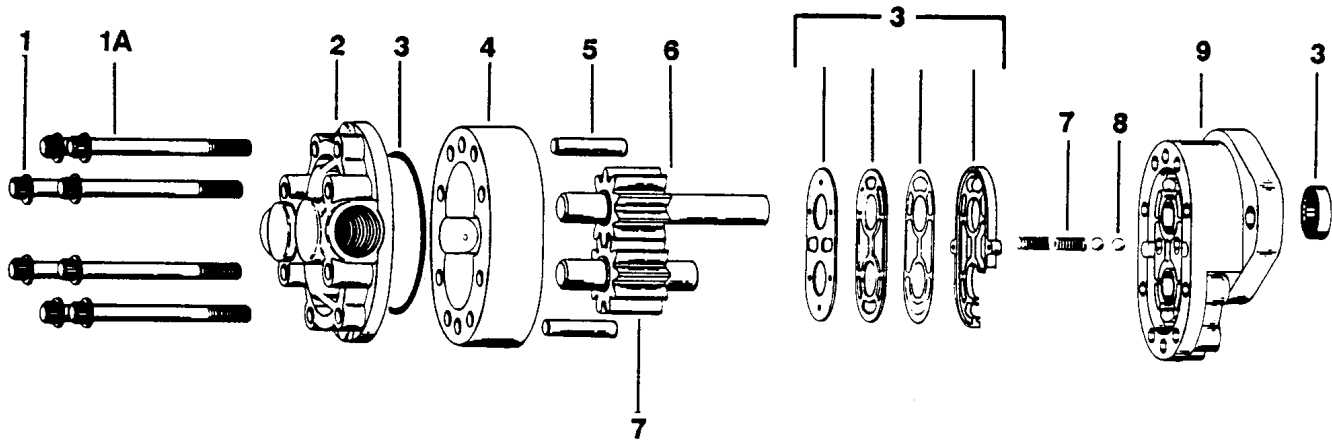
Front Piston Pump



Front Piston Pump

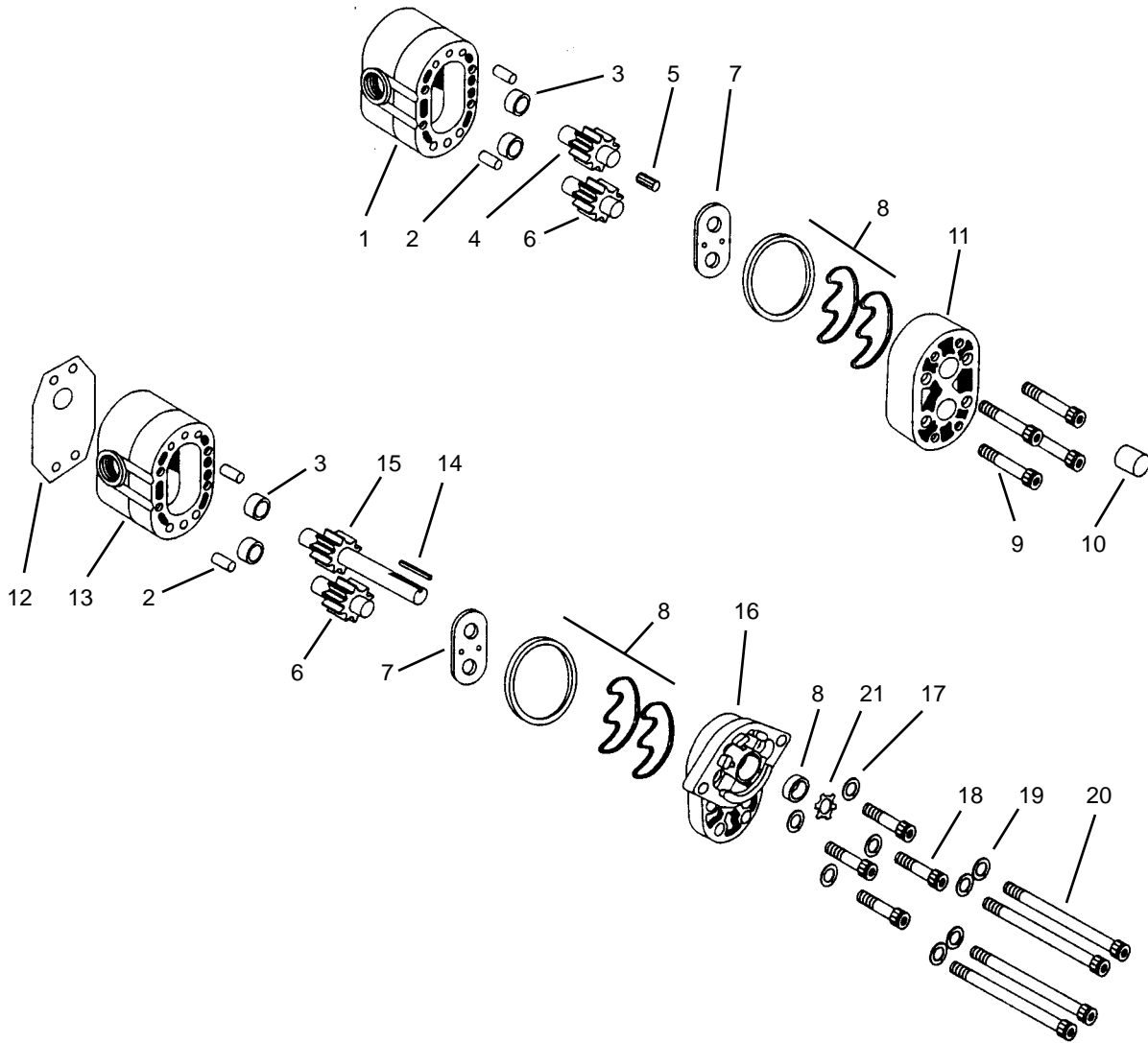
Ref. No.	Part No.	Description	Qty. Req.	Ref. No.	Part No.	Description	Qty. Req.
-	P376300	COMPL.TANDEM PUMP (w/Gear Pump)	1	14	602984	RETAINER RING	2
-	P700465	CONTROL SEAL KIT	1	15	P700023	RELIEF VALVE	2
01	060747	RETAINER RING	1	16	P700027	BACK PLATE	2
02	P278550	SEAL REPAIR KIT-Incl: (Seals Plus 1,2,4,14,21)	1	17	P700009	GEROTOR KIT	1
03	P421500	WASHER	1	18	P700026	ADAPTOR ASY, RH	1
04	P700278	RETAINER RING	2	19	P700022	CAMPLATE	1
05	P700030	BEARING RACE	2	20	P700036	ROTATING KIT ASY	1
06	P700031	BEARING	1	21	P700026	HOUSING GASKET	1
07	P700035	TRUNNION COVER	1	22		CAPSCREW	2
08	P397700	DRIVE SHAFT	1	23	P700010	PLUG & SPRING KIT	2
09	P700466	HOUSING	1	24	P700038	PLUG ASY	1
10	P700033	BEARING	2	25	P700011	POPPET KIT	1
11	P700034	INNER RACE	1	26	P700041	STEEL BALL	2
12		CAPSCREW	2	27	P700042	PIN	2
13	P700037	SLEEVE COVER	1	28		PLUG	1
				29	602947	CHECK VALVE	2

Rear Gear Pump



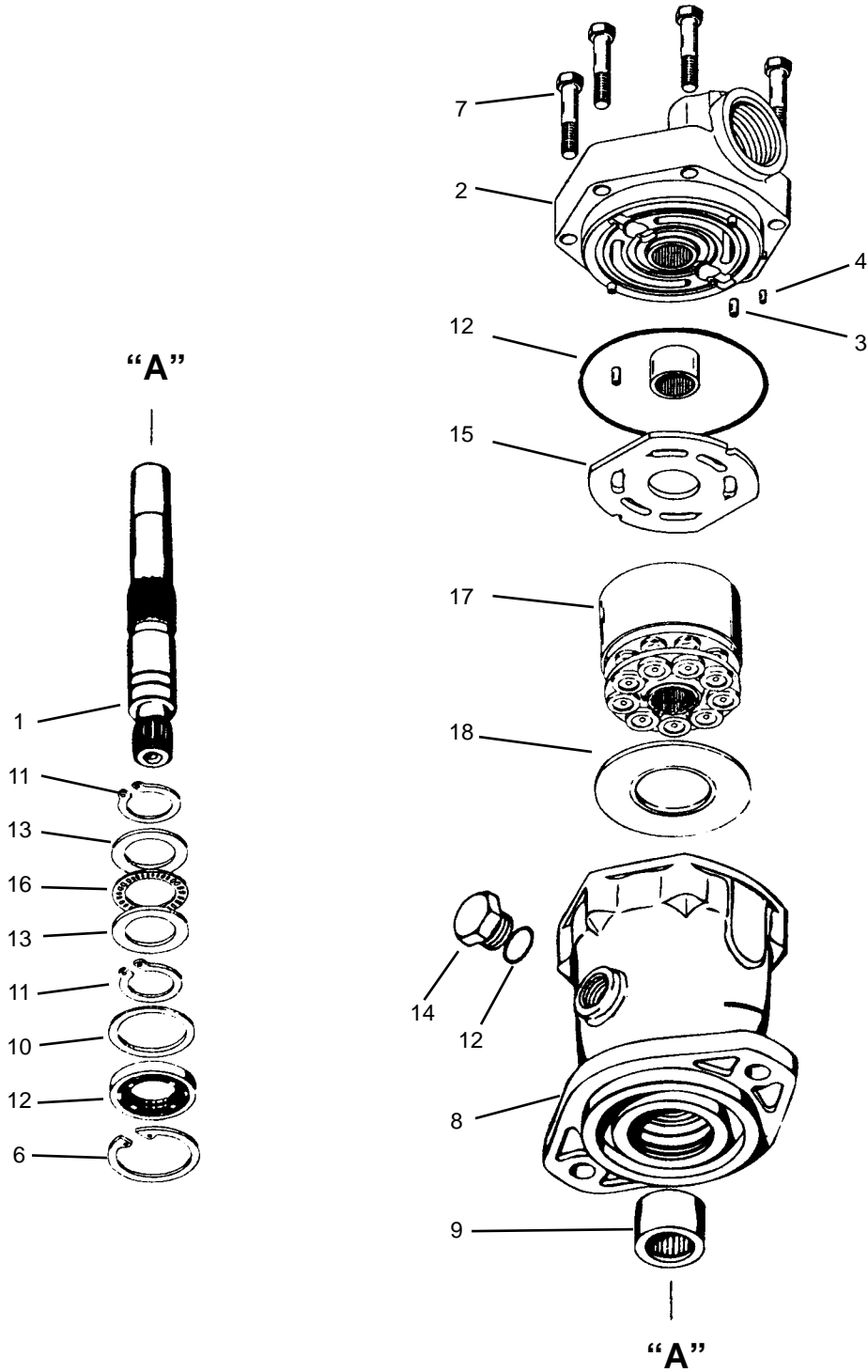
Ref. No.	Part No.	Description	Qty. Req.	Ref. No.	Part No.	Description	Qty. Req.
-	P700224	COMPL.ASY. (GEAR PUMP ONLY)	1	05	NSS	DOWEL PIN	2
01		CAPSCREW	4	06	NSS	DRIVE GEAR ASY.	1
02	658521	BACKPLATE ASY.	1	07	NSS	IDLER GEAR ASY.	1
03	055221	SEAL REPAIR KIT	1	08	602981	BALL	2
04		BODY	1	09	060594	FRONTPLATE ASY.	1

Auger Drive Pump



Ref. No.	Part No.	Description	Qty. Req.	Ref. No.	Part No.	Description	Qty. Req.
-	P374600	COMPL. ASY.	1	11	P700467	MULTI-SECTION COVER	1
01		REAR SECTION	1	12		GASKET	1
02		DOWEL PIN	4	13		FRONT SECTION	1
03		BEARING SLEEVE	4	14		SQUARE KEY	1
04		SPLINED REAR DRIVE IDLER ...	1	15		FRT. DRIVE SHAFT & GEAR	1
05		COUPLING	2	16	P700468	FRONT PUMP BODY	1
06		SOLID IDLER	2	17		WASHER	4
07		WEAR PLATE	2	18		BODY MT. SCREW	4
08	P278625	MINOR REPAIR KIT-Incl:	1	19		WASHER	4
		(All Seals Plus 7,10,14,17,19,20)		20		FRT. SECT. MT. SCREW	4
09		REAR SECT. MT. SCREW	4				
10		SLEEVE BEARING	2				

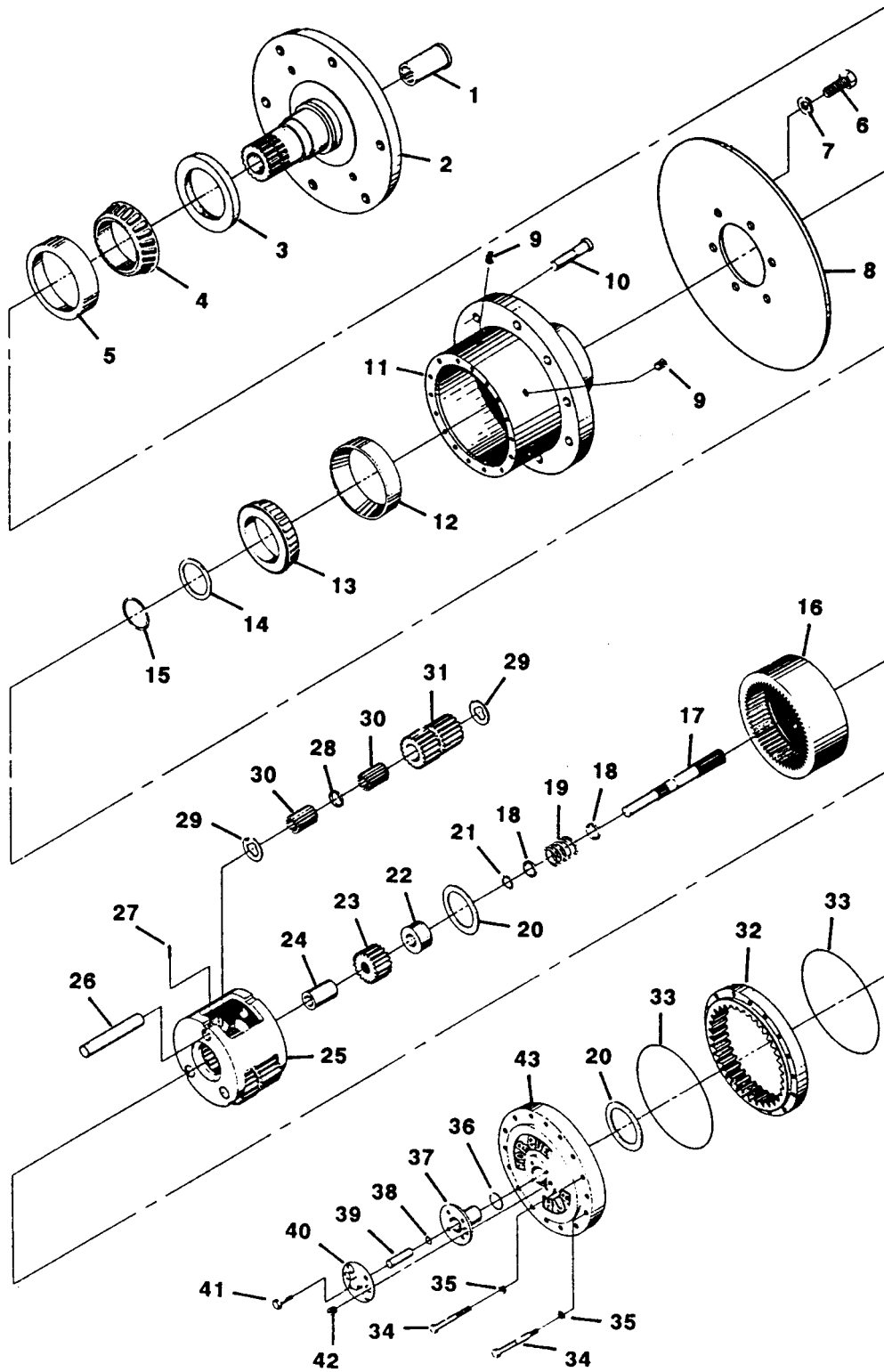
Track Drive Motor



Track Drive Motor

Ref. No.	Part No.	Description	Qty. Req.	Ref. No.	Part No.	Description	Qty. Req.
-	P347550	COMPL. ASY.	1	10	133089	WASHER	1
01		SPLINED DRIVE SHAFT	1	11	P700397	RETAINER RING	2
02		BACK PLATE (Incl. 3-5)	1	12	P700393	SEAL KIT	1
03	128932	ROLL PIN	2	13	123081	THRUST RACE	2
04	P700396	ROLL PIN	1	14	123090	PLUG W/SEAL	2
05	P700395	NEEDLE BEARING	1	15	122004	VALVE PLATE	1
06	060747	RETAINER RING	1	16	060746	THRUST BEARING	1
07		CAPSCREW	6	17	074382	ROTATING KIT	1
08		HOUSING (Incl. 9)	1	18	125149	CAMPLATE INSERT	1
09	P700394	NEEDLE BEARING	1				

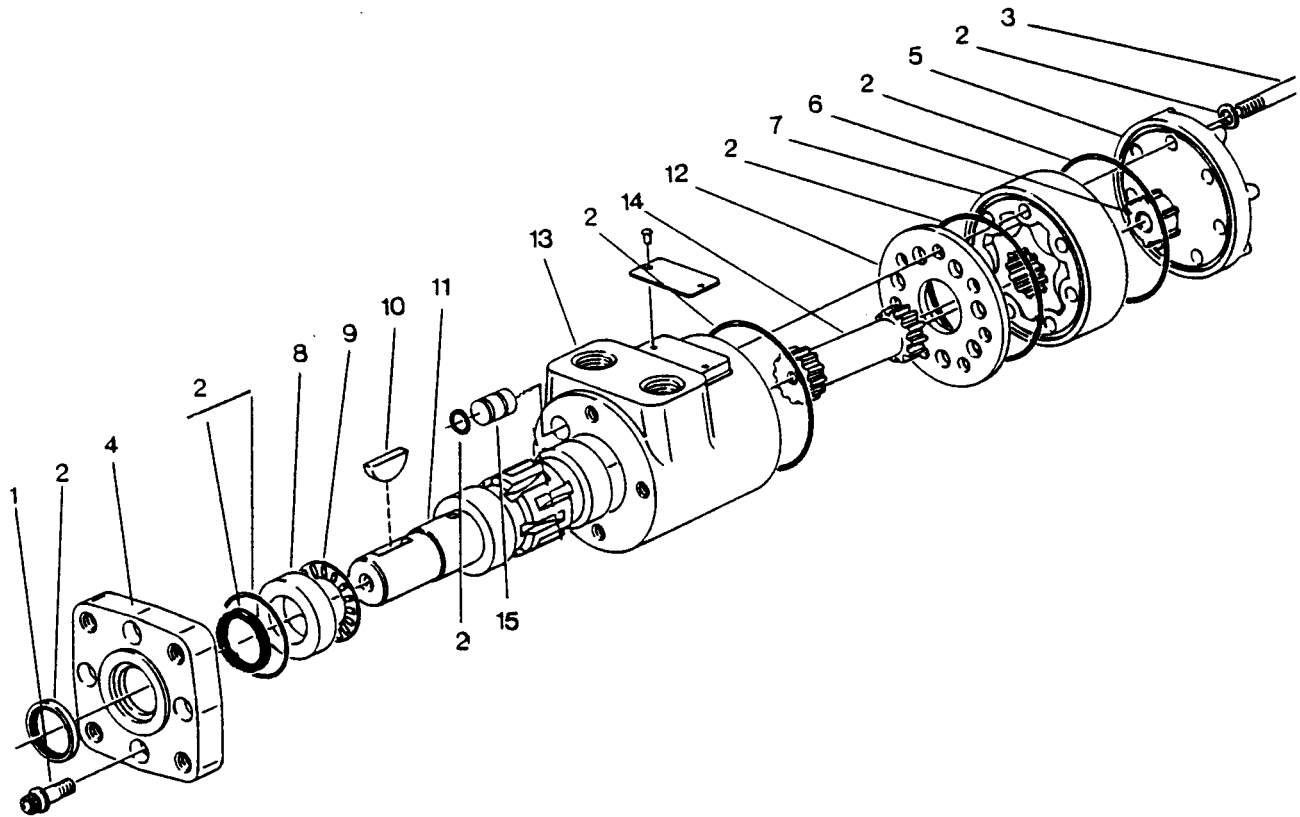
Track Drive Torque Hub



Track Drive Torque Hub

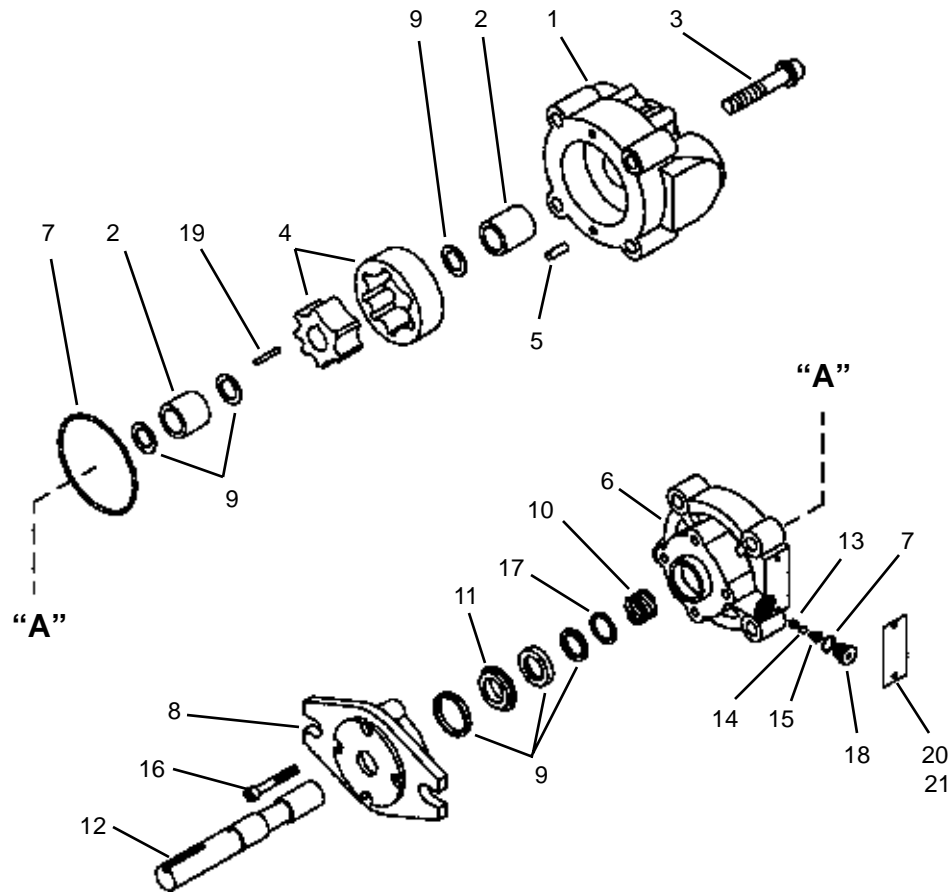
Ref. No.	Part No.	Description	Qty. Req.	Ref. No.	Part No.	Description	Qty. Req.
-	P271900	COMPL. ASY.	1	22	P700111	INPUT SPACER	1
-	P700112	COMPL. SEAL KIT - Incl: (Items 3,33,36,38)	1	23	P700104	SUN GEAR	1
01	P700083	COUPLING	1	24		(Not Used)	
02	P700110	SPINDLE	1	25	P700076	CARRIER	1
03	P700103	SEAL	1	26	P700070	PLANET SHAFT	3
04	P700102	BEARING CONE	1	27	P700074	ANTI-ROLL PIN	3
05	P700101	BEARING CUP	1	28	P700073	THRUST WASHER	3
06		(Not Used)		29	P700071	THRUST WASHER	2
07		(Not Used)		30	P700072	NEEDLE ROLLERS	AR
08		(Not Used)		31	P700105	CLUSTER GEAR	3
09	P700060	PLUG	2	32	P700106	RING GEAR	1
11	P700100	HOUSING	1	33	P700058	O-RING	2
12	P700063	BEARING CUP	1	34		GR8 BOLT 5/16-18X2-1/4	16
13	P700064	BEARING CONE	1	35		FLAT WASHER 5/16	16
14	P700068	THRUST WASHER	1	36	P700087	O-RING	1
15	P700069	RETAINER RING	1	37	P700092	COVER CAP	1
16	P700061	INTERNAL GEAR	1	38	P700093	O-RING	2
17	P700108	INPUT SHAFT	1	39	P700090	DISCONNECT ROD	1
18	P700084	THRUST WASHER	2	40	P700091	DISCONNECT CAP	1
19	P700085	SPRING	1	41		BOLT 1/4-20X3/4	2
20	P700107	THRUST WASHER	2	42	P700088	PLUG	2
21	P700081	RETAINER RING	1	43	P700109	COVER PLATE	1

Auger Drive Motor



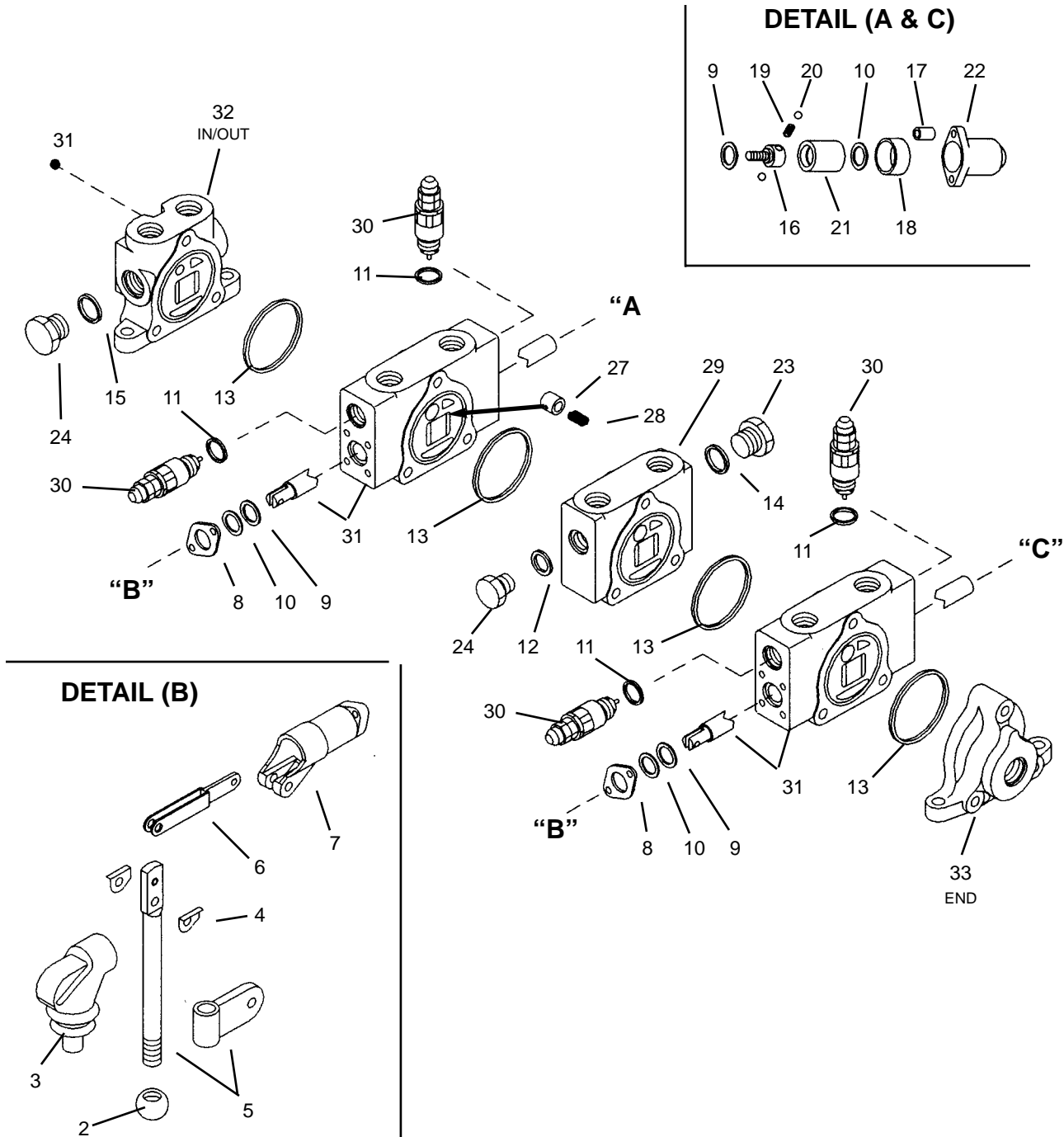
Ref. No.	Part No.	Description	Qty. Req.	Ref. No.	Part No.	Description	Qty. Req.
-	P347100	COMPL. ASY.	1	08	P700199	BREARING RACE	1
01		CS 12PT. DR. 5/16-24X7/8	4	09	P700196	NEEDLE BEARING	1
02	P279009	SEAL KIT	1	10	P700472	KEY	1
03		CS 12PT. DR. 5/16-24	7	11		OUTPUT SHAFT, SPLINED	1
04	P243860	MOUNTING FLANGE	1	12		SPACER PLATE	1
05		END CAP	1	13		HOUSING	1
06		<i>Not Used</i>		14		DRIVE	1
07	P700222	GEROTOR SET	1				

Screed Vibrator Motor



Ref. No.	Part No.	Description	Qty. Req.	Ref. No.	Part No.	Description	Qty. Req.
-	P349450	COMPL. ASY	1	11		SEAT	1
01		BODY	1	12		SHAFT	1
02	P700180	BEARING	2	13	P700184	SEAT	2
03		BODY SCREW	4	14	P700183	BALL	2
04		GEROTOR ELEMENT	1	15	P700182	SPRING	2
05	P700186	DOWEL PIN	2	16		SCREW #10-24X1	4
06		COVER	1	17		WASHER	1
07	P282400	SERVICE KIT (Seals & Item 2)	1	18		PLUG	2
08		MOUNTING PLATE	1	19	P700187	DRIVE PIN	1
09	P700185	RETAINING RING	3	20		NAME PLATE	1
10	P700181	SPRING	1	21		SCREW #4-40	2

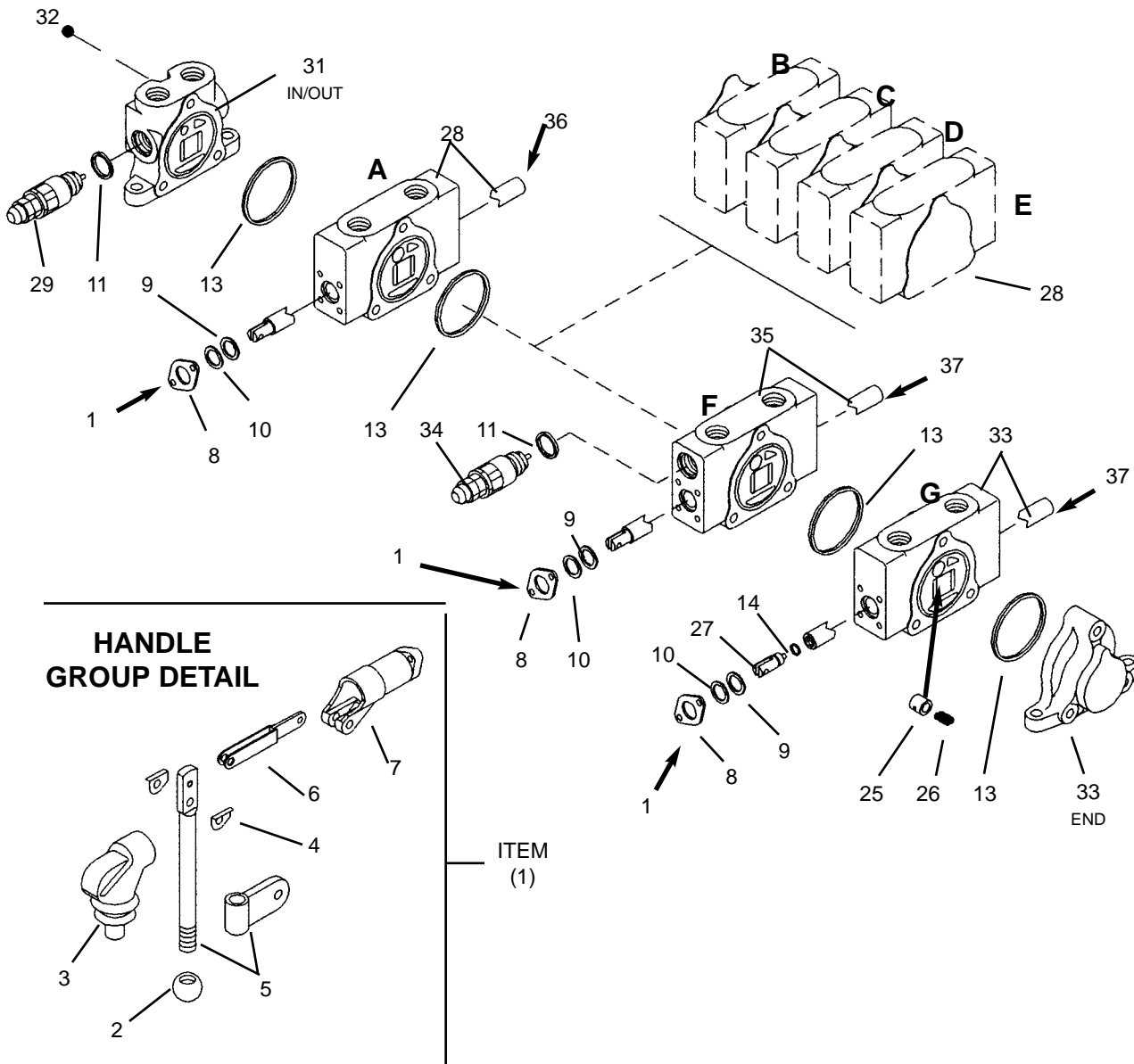
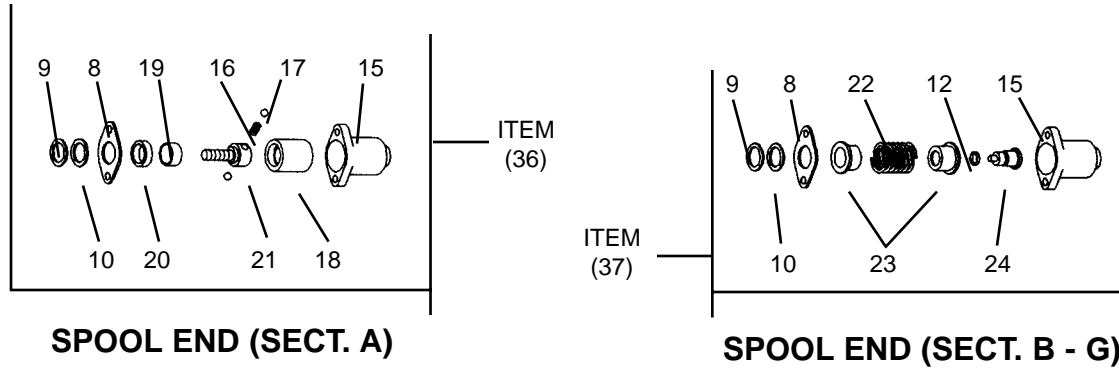
Drive Control Valve



Drive Control Valve

Ref. No.	Part No.	Description	Qty. Req.	Ref. No.	Part No.	Description	Qty. Req.
-	P420778	COMPL. ASY.	1	17		SPACER	2
-	P700123	COMPL. SEAL KIT	1	18		SPACER	2
01	P286100	HANDLE KIT (Incl.2-7, Less Tab) ..	1	19	P700168	SPRING	2
02	P700162	KNOB	2	20		BALL	2
03	P700163	BOOT	2	21		DETENT SLEEVE	2
04	P700164	SHIM	4	22		CAP	2
05		HANDLE W/TAB	2	23		REAR PLUG	1
	P470427	TAB ONLY	1	24	P371300	FRONT PLUG	1
		CLEVIS PIN	2	25	P371300	PLUG	1
		LOCK	2	26		TIE ROD, LONG	2
06	P700165	LINK	4	27		TIE ROD, SHORT	1
		PIN	2	28	P700115	POPPET-C.V.	2
07	P045625	HANDLE PIVOT MOUNT	2	29		SPRING	2
08	P700166	SEAL PLATE	2	30	P418203	MID INLET SECT. "B"	1
09	P393400	SPOOL SEAL	4	31		RELIEF	4
10	P424000	SPOOL WIPER	4			RELIEF REPAIR KIT	1
11		RELIEF SEAL	4	31	P418045	WORK SECTS. "A & C"	2
12	P393300	FRT. PLUG SEAL (MID-SECT.) ...	1		P277820	SPOOL DETENT REPAIR KIT ...	2
13	P382900	BETWEEN SECTS. SEAL	4			(Incl. 19,20,22 w/scrws. & Wiper, Seal)	
14		REAR PLUG SEAL (MID-SECT.) ..	1	32		IN/OUT SECTION	1
15		PLUG SEAL (IN/OUT SECT.)	1	33		END SECTION	1
16		DETENT SPOOL PIN	2				

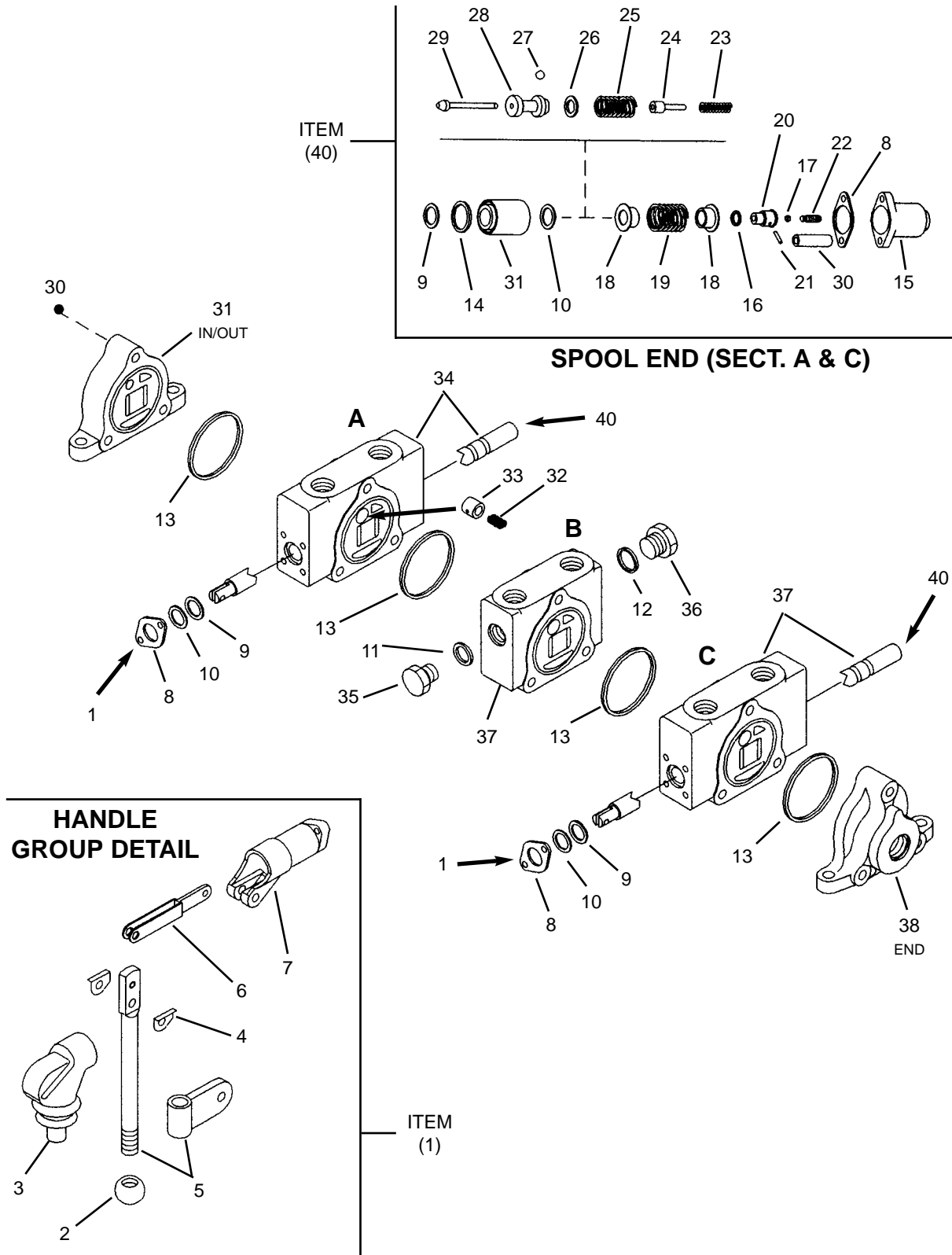
7-Stack Control Valve



7-Stack Control Valve

Ref. No.	Part No.	Description	Qty. Req.	Ref. No.	Part No.	Description	Qty. Req.
-	<i>Note a</i>	COMPL. ASY.	1	23		SPRING SEAT	12
	P700471	COMPL. SEAL KIT	1	24		SPOOL END	6
01	P286100	HANDLE KIT (Incl. 2-7, Less Tab) ..	7	25		POPPET-C.V.	6
02	P700162	KNOB	7	26	P700115	SPRING	6
03	P700163	BOOT	7	27		CLEVIS END	6
04	P700164	SHIM	14	28 ^c	P418040	SPOOL WORK SECT. "A - E"	1
05		HANDLE W/TAB	7	29	P418203	RELIEF	
	P470427	TAB ONLY	2	30	P418025	END SECTION	1
		CLEVIS PIN	7	31	P700506	INLET/OUTLET SECTION	1
		LOCK	7	32	P700170	TIE ROD KIT	1
06	P700165	LINK	14	33	P418035	SPOOL WORK SECT. "G"	1
		PIN	7	34 ^b	P700519	RELIEF	1
07	P045625	HANDLE PIVOT MOUNT	7	35 ^b	P700518	SPOOL WORK SECTION. "F"	1
08	P700166	SEAL PLATE	14	36	P277820	SPOOL END SERVICE KIT	1
09	P393400	SPOOL SEAL	14			(Incl. Item 15 w/scrws & 16,17, wiper, seal)	
10	P424000	SPOOL WIPER	14				
11		RELIEF SEAL	1	37	P700469	SPOOL END SERVICE KIT	1
12		SPOOL END SEAL	1			(Incl. Items 12,15 w/screws, 22-24 & wiper, seal)	
13	P382900	BETWEEN SECTS.SEAL	4				
14		CLEVIS END SEAL	7				
15		CAP	7				
16	P700168	SPRING	1	<i>a</i>		<i>Use P/N P418200 For T650B, Thru S/N 6050 & T650BD, Thru S/N 3598.</i>	
17		BALL	1			<i>Use P/N P471433 For T650B, S/N 6051 Up & T650B, S/N 3599 Up.</i>	
18		DETENT SLEEVE	1	<i>b</i>		<i>Used Only w/Valve P/N P471433.</i>	
19		SPACER	1	<i>c</i>		<i>With Valve P/N P418200, This Part No. Also Applies to Work Section. "F".</i>	
20		SPACER	1				
21		DETENT PIN	1				
22	P700220	SPRING	6				

Auger Control Valve

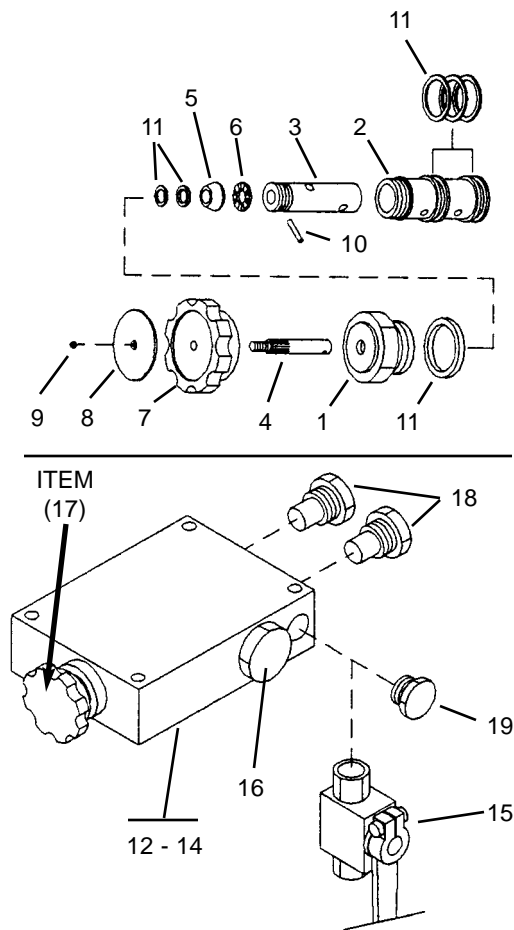


Auger Control Valve

Ref. No.	Part No.	Description	Qty. Req.	Ref. No.	Part No.	Description	Qty. Req.
-	<i>Note a</i>	COMPL. ASY.	1	22		ADJUSTMENT SCREW	2
	P700114	COMPL. SEAL KIT	1	23	P700118	KICKOUT SPRING	2
01	P286100	HANDLE KIT (Incl.2-7, Less Tab) ..	2	24		GUIDE	
02	P700162	KNOB	2	25	P700117	KICKOUT SPRING	2
03	P700163	BOOT	2	26		SPACER	2
04	P700164	SHIM	4	27		BALL	4
05		HANDLE W/TAB	2	28		DETENT CAM	2
	P470427	TAB ONLY	1	29		POPPET	2
		CLEVIS PIN	2	30		TIE ROD	2
06	P700165	LINK	4	31		TIE ROD	1
		PIN	2	32		DETENT SLEEVE	2
07	P045625	HANDLE PIVOT MOUNT	2	33		SPRING	2
08	P700166	SEAL PLATE	4	34	P700429	C.V. POPPET	2
09	P393400	SPOOL SEAL	4	35	P371300	WORK SECTS. "A&C"	2
10	P424000	SPOOL WIPER	4	36		FRONT PLUG	1
11	P393300	FRT. SEAL (MID-SECT.)	1	37		REAR PLUG	1
12		REAR SEAL (MID-SECT.)	1	38		MID-INLET SECT. "B"	1
13	P382900	BETWEEN SECTS. SEAL	4	39		OUTLET SECTION	1
14		DETENT SLEEVE SEAL	2	40	P700470	INLET SECTION	1
15		CAP	2			SPOOL END REPAIR KIT	2
16		SPOOL END SEAL	2			(Incl. Items 12,16-29 & seals)	
17		ADJ. SCREW SEAL	2				
18		SEAT	4	a		<i>Use P/N P471172 For T650B, S/N 6032 Up.& T650BD, S/N 3564 Up.</i>	
19	P700220	KICKOUT SPRING	2			<i>Use P/N P420750 For T650B, Thru S/N 6031 & T650BD, Thru S/N 3563.</i>	
20		SPOOL END	2				
21		LOCKING INSERT	2				

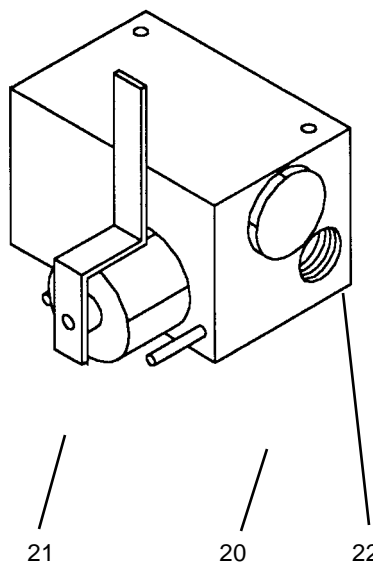
P471316 Steer Valve Kit

T650B - Thru S/N 6032
T650BD - Thru S/N 3564



P471284 Steer Valve

T650B - S/N 6033 & Up
T650BD - S/N 3565 & Up

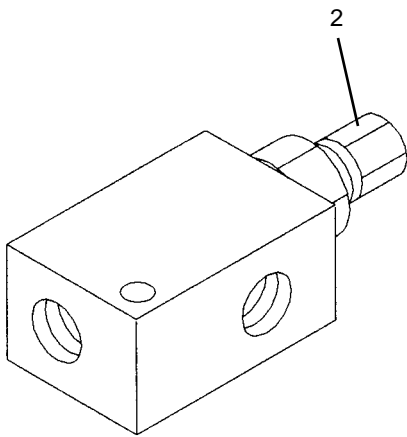


Ref. No.	Part No.	Description	Qty. Req.
-	P471316	VALVE UPDATE KIT	1
-	P471312	REPLACEMENT KIT	1
		(Converts to P471284 Valve)	
-	P471284	COMPL. ASY.	1
01		RETAINER	1
02		CAGE	1
03		SPOOL	1
04		STEM	1
05		SEAL RETAINER	1
06		THRUST BEARING	1
07	P700057	KNOB	1
08		NAMEPLATE	1
09		ACORN NUT 1/4-20	1
10		DOWEL PIN	1
11	P393300	SEAL KIT	1
12		VALVE BODY	1

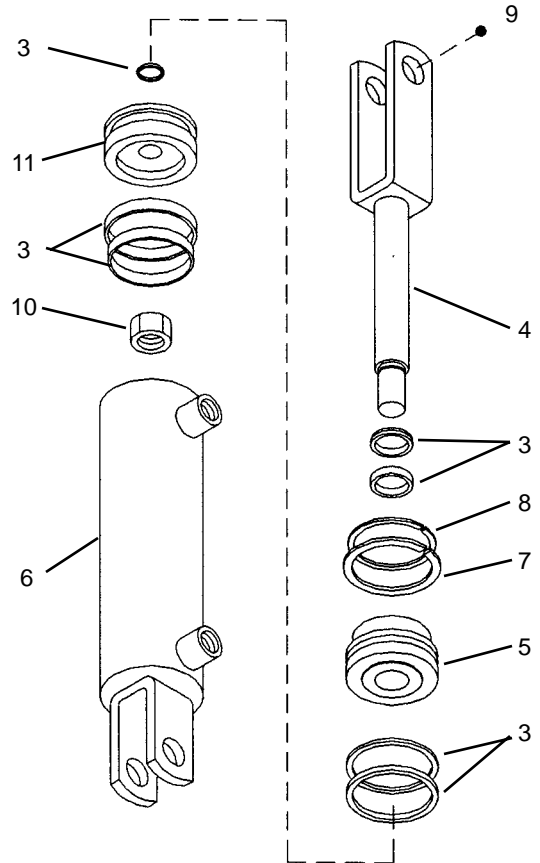
Ref. No.	Part No.	Description	Qty. Req.
13		NAMEPLATE	1
14		RIVET	2
15 ^a	P414970	BALL VALVE	1
16	P247025	FLOW DIVIDER CARTRIDGE	1
17	P247015	COMPL. CARTRIDGE	1
18 ^b	P471285	CARTRIDGE PLUG	2
19 ^b	L446048	PLUG (-6ORM)	1
20		BLOCK	1
21	P700520	HANDLE	1
22		CARTRIDGE ASY	1

- a Used on T650B, Thru S/N 6028.
Used on T650BD, Thru S/N 3560.
- b Used on T650B, S/N 6029 to 6032.
Used on T650BD, S/N 3561 to 3565.

P420600 Relief Valve



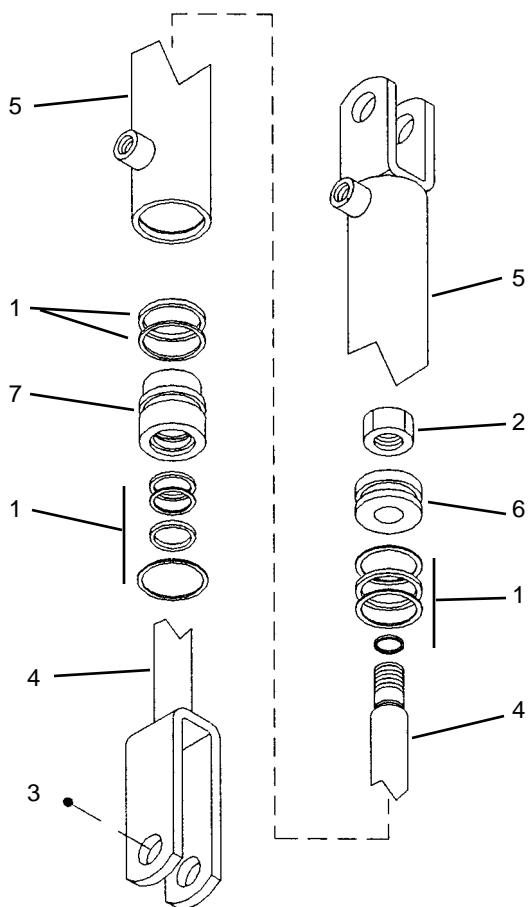
P199800 & P470204 Gate Shutoff Cyl.



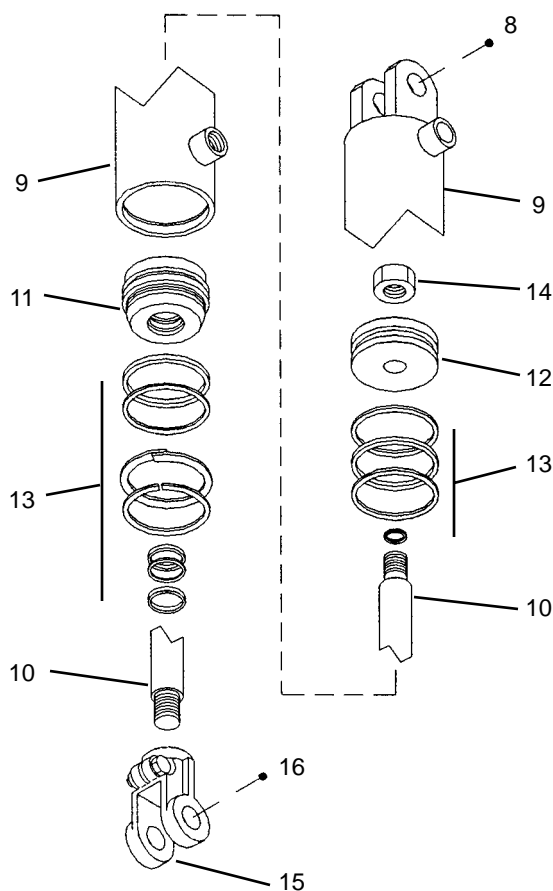
Ref. No.	Part No.	Description	Qty. Req.
-	P420600	COMPL. ASY	1
-a	P199800	COMPL. ASY. (Pipe Thd. Ports) ...	1
-a	P470204	COMPL. ASY. (JIC Thd. Ports)	1
02		RELIEF CARTRIDGE	1
		RELIEF SEAL KIT	1
03	P281800	SEAL KIT (Incl. 7,8)	1
04	P385600	ROD W/CLEVIS	1
05	P700399	END GLAND	1

Ref. No.	Part No.	Description	Qty. Req.
06	NSS	BODY	1
07		INTERNAL RETAINER RING	1
08		EXTERNAL RETAINER RING	1
09	P700400	CLEVIS PIN W/CLIP	2
10	P700422	LOCKNUT 7/8-14	1
11	P368675	PISTON	1
a		Refer to Part No. Stamped on Cylinder Tube.	

P199400 & P471225 Side Gate Cylinder



P199950 & P471223 Hopper Lift Cylinder

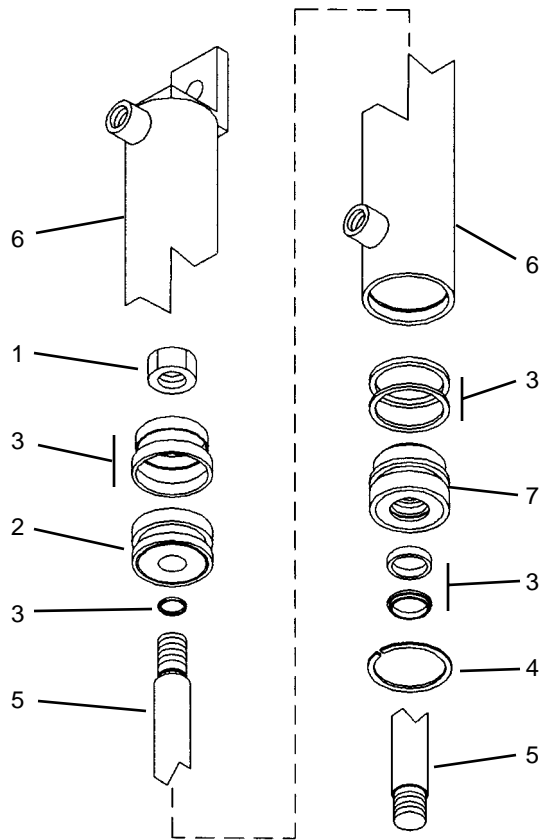


Ref. No.	Part No.	Description	Qty. Req.
.a	P199400	COMPL. ASY. (Pipe Thd. Ports) . . .	1
.a	P471225	COMPL. ASY. (JIC Thd. Ports) . . .	1
.a	P199950	COMPL. ASY. (Pipe Ports)	1
.a	P471223	COMPL. ASY. (JIC Ports)	1
01	P280800	SEAL KIT	1
02	P700422	LOCKNUT 7/8-14	1
03	P700404	CLEVIS PIN W/CLIP	2
04	P700401	ROD W/CLEVIS	1
05	NSS	BODY W/CLEVIS	1
06	P700402	PISTON	1
07	P700403	END GLAND	1

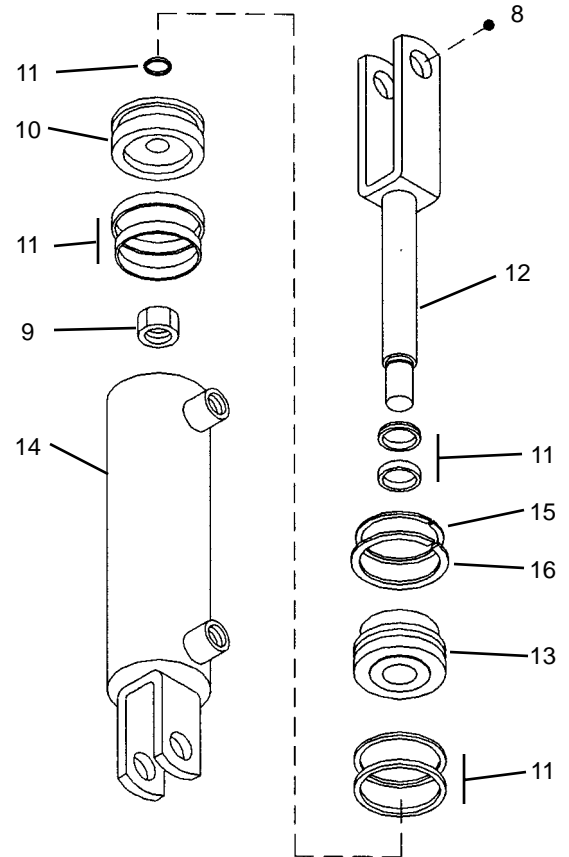
Ref. No.	Part No.	Description	Qty. Req.
08	P700148	BODY END PIN W/CLIP	1
09	NSS	BODY	1
10	P700408	ROD	1
11	P385620	END GLAND	1
12	P368700	PISTON	1
13	P282250	SEAL KIT	1
14	P700422	LOCKNUT 7/8-14UNF	1
15	P700411	ROD CLEVIS	1
16	P700147	ROD END PIN W/CLIP	1

a Refer to Part No. Stamped on Cylinder Tube.

**P012490 & P471214
Screed Extend Cylinder**



**P199800 & P471202
Screed Lift Cylinder**

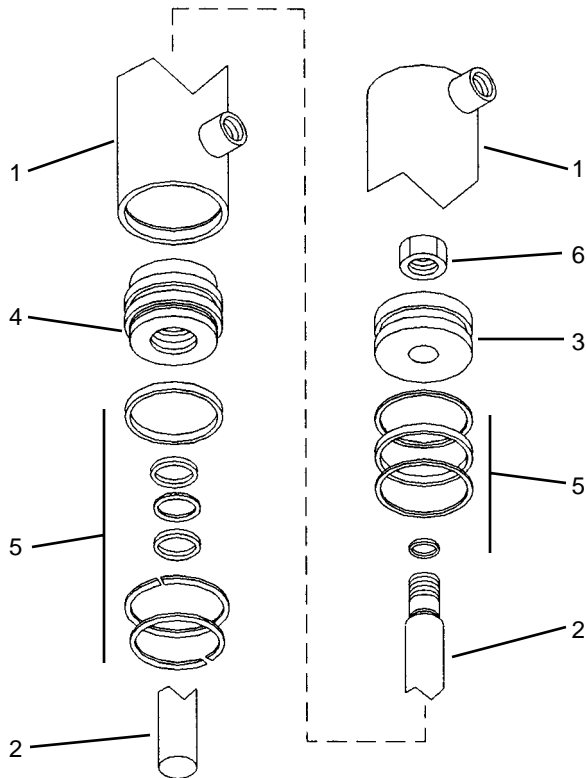


Ref. No.	Part No.	Description	Qty. Req.
-a	P012490	COMPL. ASY. (NPT Thd. Ports) . . .	1
-a	P471214	COMPL. ASY. (JIC Thd. Ports) . . .	1
-a	P199800	COMPL. ASY. (NPT Thd. Ports) . . .	1
-a	P471202	COMPL. ASY. (JIC Thd. Ports) . . .	1
01	P700422	LOCKNUT 7/8-14 UNF	1
02	P700407	PISTON	1
03	<i>Note b</i>	SEAL KIT (Incl. 4)	1
04		RETAINER RING	1
05	P700405	ROD	1
06	NSS	BODY	1
07	P700406	END GLAND	1
08	P700400	CLEVIS PIN W/CLIP	2
09	P700422	LOCKNUT 7/8-14	1

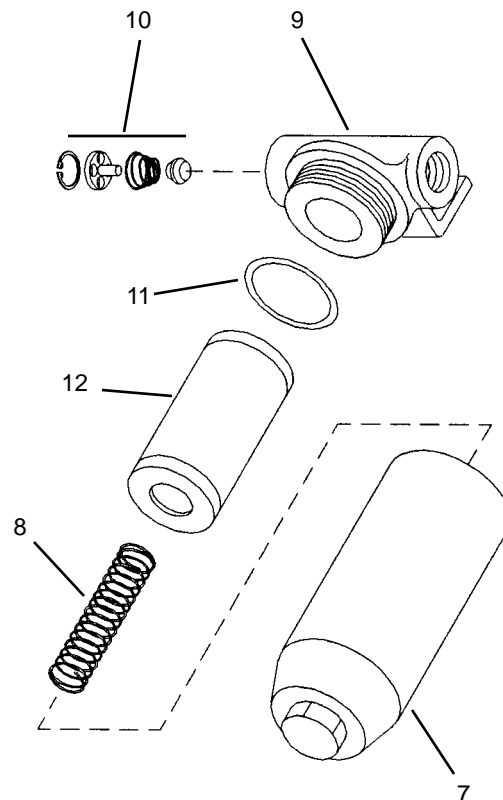
Ref. No.	Part No.	Description	Qty. Req.
10	P368675	PISTON	1
11	P281800	SEAL KIT (Incl. 16,17)	1
12	<i>Note c</i>	ROD W/CLEVIS	1
13	P700399	END GLAND	1
14	NSS	BODY	1
15		INTERNAL RETAINER RING	1
16		EXTERNAL RETAINER RING	1

- a* Refer to Part No. Stamped on Cylinder Tube.
- b* Use P/N P281600 for Cyl. Asy. P012490.
Use P/N P700510 for Cyl. Asy. P471214.
- c* Use P/N P385600 for P199800 Cyl. Asy.
Use P/N P700524 for P471202 Cyl. Asy.

P019250 & P019260 Track Tension Cylinder



P223600 High Pressure Filter



Ref. No.	Part No.	Description	Qty. Req.
.a	P019250	COMPL. RH ASY.	1
.a	P019260	COMPL. LH ASY.	1
-	P223600	COMPL. ASY.	1
01		BODY	1
02	P700412	ROD	1
03	P700413	END GLAND	1
04	P700414	PISTON	1
05	P281800	SEAL KIT	1
06	P700422	LOCKNUT 7/8-14UNF	1

Ref. No.	Part No.	Description	Qty. Req.
07		HOUSING	1
08	P700039	SPRING	1
09		CAP	1
10		RELIEF VALVE	2
11	P700138	O-RING	1
12	P216200	ELEMENT	1

a Refer to Part No. Stamped on Cylinder Tube.

Part No.	Page No.	Ref. No.	Part No.	Page No.	Ref. No.	Part No.	Page No.	Ref. No.	Part No.	Page No.	Ref. No.
055221	50	03	L42853	13	25	L445009	43	08	L61572	37	02
060594	50	09	L42853	17	15	L446017	31	04	L62277	21	16
060746	49	06	L42853	28	09	L446017	35	04	L62277	28	07
060746	53	16	L42853	29	09	L446021	37	36	L62277	29	07
060747	49	01	L43221	25	01	L446024	33	32	L62459	23	04
060747	53	06	L442003	31	30	L446024	37	10	L64660	33	38
072796	04	06	L442003	35	30	L446026	45	13	L64660	37	38
072797	04	07	L442004	31	18	L446048	64	19	L64660	39	06
072797	06	07	L442004	33	18	L446049	45	09	L64660	41	06
074382	53	17	L442004	35	18	L49236	13	24	L64660	43	25
122004	53	15	L442004	37	04	L49236	17	25	L65922	04	26
122719	04	10	L442004	37	21	L49236	28	03	L65922	06	26
122719	06	10	L442009	43	20	L49236	29	03	L65924	04	28
123081	49	05	L442009	45	10	L50425	31	36	L65933	04	29
123081	53	13	L442011	31	32	L50425	33	36	L65924	06	28
123090	53	14	L442011	35	32	L50425	35	36	L65927	04	03
125149	53	18	L442019	45	07	L50601	11	03	L65927	06	03
127694	49	11	L442019	47	09	L50601	25	16	L65933	06	29
127695	49	10	L442022	31	26	L50601	25	18	L65942	04	27
127707	49	03	L442022	35	26	L50601	25	25	L65942	06	27
128299	25	03	L443002	31	05	L50607	21	13	L66015	13	04
128299	31	43	L443002	33	05	L50607	21	14	L66015	17	04
128299	33	43	L443002	35	05	L50607	21	15	L66566	04	22
128299	35	43	L443002	37	05	L50630	09	15	L66566	06	22
128299	37	43	L444001	37	44	L50631	27	19	L72054	15	08
128932	53	03	L444001	39	15	L50655	19	01	L72061	15	09
133089	53	10	L444003	41	28	L51467	43	16	L75906	17	08
602947	49	29	L444004	31	11	L51572	43	22	L75906	23	08
602981	50	08	L444004	33	11	L51587	31	42	L75906	23	13
602984	49	14	L444004	35	11	L51587	33	42	L76020	09	13
658521	50	02	L444004	37	11	L51587	35	42	L80788	33	30
906214	03		L444004	39	01	L51587	37	42	L80788	37	32
906317	03		L444004	41	01	L51621	31	40	L80788	39	03
906318	03		L444008	39	09	L51621	35	40	L80788	41	03
906323	03		L444008	41	09	L51762	45	04	L80911	13	10
L10465	11	08	L445001	31	20	L51814	39	13	L80911	17	23
L10465	11	12	L445001	33	20	L51814	41	13	L81690	23	08
L10465	13	17	L445001	33	26	L51814	43	10	L98622	03	
L10465	17	17	L445001	35	20	L51827	23	11	L98623	03	
L258600	41	17	L445001	37	20	L570022	13	07	P002200	19	11
L277484	43	01	L445001	37	26	L570022	17	07	P012300	25	09
L277484	45	01	L445001	39	17	L60258	43	03	P012350	25	09
L277484	47	02	L445002	31	28	L60440	31	34	P012385	21	06
L277594	04	18	L445002	33	28	L60440	33	34	P012490	67	
L277594	06	18	L445002	35	28	L60440	35	34	P012750	19	22
L40626	21	13	L445002	37	28	L60440	37	34	P013150	25	02
L40626	21	14	L445002	39	04	L60653	45	05	P013275	21	07
L40626	21	15	L445002	41	04	L61092	31	44	P013300	15	26
L41770	09	03	L445002	41	15	L61092	33	24	P013450	15	06
L41847	23	05	L445003	43	20	L61092	33	44	P013500	15	20
L41847	28	06	L445003	45	07	L61092	33	50	P013550	19	09
L41847	29	06	L445005	47	09	L61092	35	44	P013575	17	12
L41848	13	23	L445006	41	27	L61092	37	18	P013725	09	19
L41848	17	26	L445009	31	14	L61092	37	24	P013750	09	19
L41848	21	10	L445009	33	14	L61572	31	02	P014050	25	26
L41848	28	02	L445009	35	14	L61572	33	02	P014925	13	03
L41848	29	02	L445009	37	14	L61572	35	02	P014925	17	03

Numerical Index

PowerBox T650B/T650BD

Part No.	Page No.	Ref. No.	Part No.	Page No.	Ref. No.	Part No.	Page No.	Ref. No.	Part No.	Page No.	Ref. No.
P014950	25	14	P143200	21	15	P221650	13	19	P254050	43	23
P015575	21	05	P143300	21	14	P221650	17	19	P254051	45	03
P015900	09	04	P145100	15	24	P221850	13	19	P254051	47	11
P016900	13	12	P151150	25	23	P221850	17	19	P254051	47	16
P017150	09	01	P151500	25	26	P222100	19	11	P254056	43	14
P017160	09	01	P151550	25	26	P223500	15	10	P254057	47	03
P017186A	11	13	P162700	25	22	P223600	21	12	P254059	47	18
P017190	15	03	P162750	25	22	P223600	31	09	P254061	47	17
P018605	29	01	P178000	09	05	P223600	33	09	P254075	47	12
P018607	28	01	P182400	09	02	P223600	35	09	P254085	31	19
P018700	09	14	P187900	27	05	P223600	37	09	P254085	33	19
P019100	23	07	P199400	66		P223600	68		P254085	35	19
P019250	41	21	P199800	65		P227700	31	38	P254085	37	19
P019250	68		P199800	67		P227700	33	52	P254090	31	22
P019260	41	26	P199950	66		P227700	35	38	P254090	33	22
P019260	68		P201400	04	01	P227700	37	52	P254090	35	22
P019525	25	20	P201400	06	01	P227725	39	23	P254750	37	22
P019525	27		P204015	04	08	P227725	41	23	P254885	39	16
P019530	25	20	P204015	06	08	P227750	43	03	P254890	39	16
P019530	27		P204017	04	15	P231050	39	25	P256100	31	31
P020500	27	05	P204017	06	15	P231050	41	25	P256100	35	31
P020650	27	15	P204018	04	14	P231110	45	04	P256100	37	31
P022300	17	06	P204018	06	14	P232450	39	22	P257425	31	37
P022800	13	06	P204030	04	11	P232450	41	22	P257425	35	37
P022800	17	05	P204030	06	11	P232700	43	18	P257425	37	51
P022800	23	08	P204031	06	16	P233350	31	07	P258600	39	05
P023350	23	17	P204100	04	25	P233350	33	07	P258600	41	05
P024000	25	04	P204100	06	25	P233350	35	07	P259500	31	17
P024200	11	12	P204102	04	02	P233350	37	07	P259500	35	17
P024500	27	03	P204102	06	02	P237000	31	13	P259525	31	10
P024500	27	14	P204103	04	04	P237000	33	13	P259525	33	51
P024510	27	08	P204103	06	04	P237000	35	13	P259525	35	10
P030100	15	21	P204105	04	12	P237000	37	13	P259525	37	03
P030100	19	13	P204105	06	12	P243860	56	04	P260275	31	08
P045625	59	07	P204107	04	21	P247015	64	17	P260275	35	08
P045625	61	07	P204107	06	21	P247025	64	16	P260775	31	33
P045625	63	07	P204108	06	06	P252400	11	06	P260775	33	33
P047400	15	22	P204113	04	05	P252400	13	14	P260775	35	33
P047400	19	12	P204113	06	05	P252400	17	14	P260775	43	07
P050200	19	01	P205600	04	09	P252400	21	09	P260900	31	03
P050515	15	15	P205600	06	09	P252600	21	08	P260900	35	03
P050525	15	13	P207300	04	19	P253000	11	18	P260900	37	17
P051900	15	10	P207300	06	19	P254007	31	25	P261200	31	29
P055200	09	20	P210200	04	24	P254007	35	25	P261200	33	29
P055200	15	18	P210200	06	24	P254014	39	20	P261200	35	29
P057600	19	10	P212650	04	23	P254014	41	20	P261200	37	29
P059150	15	10	P212650	06	23	P254020	39	24	P261375	39	07
P059600A	15	19	P212725	04	16	P254020	41	24	P261375	41	07
P061400	13	22	P212750	04	17	P254030	47	13	P261375	41	16
P061400	17	22	P212750	06	17	P254033	47	06	P263000	33	37
P061400	31	01	P214000	04	20	P254035	43	12	P263000	37	37
P061400	33	01	P214000	06	20	P254035	45	15	P263000	37	40
P061400	35	01	P216200	68	12	P254036	45	06	P263000	43	21
P061400	37	01	P217000	13	08	P254036	45	16	P266700	39	02
P136200	25	13	P217500	19	11	P254037	47	08	P266700	41	02
P137200	21	13	P218800	19	11	P254038	47	15	P266900	31	27
P142175	11	10	P221050	15	10	P254040	43	02	P266900	39	11

Part No.	Page No.	Ref. No.	Part No.	Page No.	Ref. No.	Part No.	Page No.	Ref. No.	Part No.	Page No.	Ref. No.
P266900	41	11	P349950	19	03	P406750	27	20	P470051	09	08
P266950	33	17	P349950	19	11	P407000	27	20	P470055	09	07
P266950	39	10	P356600	27	20	P408000	19	07	P470056	09	07
P266950	41	10	P356800	27	20	P408000	29	04	P470057	09	06
P269800	13	09	P359500	11	03	P409000	23	03	P470058	09	06
P269800	17	10	P359500	25	16	P409000	28	05	P470074	11	09
P269900	17	09	P359500	25	18	P409000	29	05	P470111	23	18
P270200	11	19	P359690	21	04	P409075	28	04	P470143	09	11
P270900	23	09	P362400	27	05	P412000	11	17	P470157	09	12
P470669	23	09	P362500	27	05	P412025	39	19	P470204	65	
P271900	27	20	P368675	65	11	P412025	41	19	P470204	67	
P271900	55		P368675	67	10	P414950	21	11	P470232	09	22
P272700	09	09	P368700	66	12	P414970	31	24	P470246	21	04
P275450	15	14	P371300	59	24	P414970	35	24	P470323	04	30
P275450	28	04	P371300	59	25	P414970	64	15	P470323	06	30
P275475	19	07	P371300	63	35	P414980	43	17	P470341	23	07
P275475	29	04	P373200	15	22	P418025	61	30	P470378	13	16
P277820	59	31	P373200	19	14	P418035	61	33	P470402	23	15
P277820	61	36	P374600	15	04	P418040	61	28	P470406	47	04
P278550	49	02	P374600	19	16	P418045	59	31	P470409	23	11
P278625	51	08	P374600	31	46	P418200	21	02	P470427	59	04
P279009	56	02	P374600	33	46	P418200	31	12	P470427	61	04
P280800	66	01	P374600	35	46	P418200	33	12	P470427	63	04
P281600	67	03	P374600	37	46	P418200	35	12	P470464	23	09
P281800	65	03	P374600	43	09	P418200	37	12	P470468	09	10
P281800	67	11	P374600	51		P418200	43	11	P470472	13	01
P281800	68	05	P375000	23	11	P418200	45	02	P470472	17	01
P282250	66	13	P375000	28	08	P418200	47	01	P470472	23	10
P282400	57	07	P375000	29	08	P418203	59	30	P470479	13	02
P286100	59	01	P376300	15	11	P418203	61	29	P470479	17	02
P286100	61	01	P376300	19	17	P420600	23	02	P470481	25	07
P286100	63	01	P376300	31	35	P420600	31	06	P470483	27	11
P311600	25	10	P376300	33	35	P420600	33	06	P470484	27	11
P311800	25	08	P376300	35	35	P420600	35	06	P470485	27	10
P312230	11	08	P376300	37	35	P420600	37	06	P470486	27	10
P312300	15	23	P376300	39	18	P420600	45	11	P470491	27	17
P312300	19	15	P376300	41	18	P420600	65		P470493	27	19
P313310	27	09	P376300	49		P420750	21	03	P470494	17	16
P314200	27	02	P379830	19	11	P420750	31	16	P470501	25	12
P316100	09	17	P380200	11	21	P420750	35	16	P470502	25	12
P316150	15	25	P380400	15	10	P420750	43	05	P470506	17	24
P316235	27	12	P382900	59	13	P420750	63		P470507	13	10
P316370	27	13	P382900	61	13	P420778	21	01	P470513	19	21
P316380	27	04	P382900	63	13	P420778	31	47	P470519	13	13
P316400	09	18	P385620	66	11	P420778	33	47	P470519	17	13
P316550	27	21	P392450	27	16	P420778	35	27	P470528	11	16
P317400	11	20	P393300	59	12	P420778	37	47	P470533	37	33
P347100	25	11	P393300	63	11	P420778	39	12	P470552	11	01
P347100	43	04	P393300	64	11	P420778	41	12	P470553	11	01
P347100	56		P393400	59	09	P420778	59		P470557	09	15
P347550	27	01	P393400	61	09	P421025	27	17	P470564	13	15
P347550	39	08	P393400	63	09	P424000	59	10	P470564	13	21
P347550	41	08	P397700	49	08	P424000	61	10	P470564	17	21
P347550	53		P400200	23	14	P424000	63	10	P470566	13	11
P349450	09	16	P400400	23	13	P444008	43	06	P470566	17	11
P349450	47	05	P405700	19	11	P470014	25	06	P470566	23	01
P349450	57		P406300	15	10	P470025	25	21	P470566	31	39

Numerical Index

PowerBox 1438/1448

Part No.	Page No.	Ref. No.	Part No.	Page No.	Ref. No.	Part No.	Page No.	Ref. No.	Part No.	Page No.	Ref. No.
P470566	33	39	P471148	29	01	P471399	33	21	P700085	55	19
P470566	35	39	P471156	15	24	P471399	37	30	P700087	55	36
P470566	37	39	P471157	13	05	P471400	33	31	P700088	55	42
P470584	27	20	P471162	04	23	P471401	33	03	P700090	55	39
P470596	15	05	P471162	06	23	P471402	33	08	P700091	55	40
P470606	25	05	P471163	04	14	P471402	37	08	P700092	55	37
P470624	11	02	P471163	06	14	P471419	15	07	P700093	55	38
P470625	11	07	P471171	15	06	P471420	04	13	P700100	55	11
P470663	19	02	P471172	21	03	P471420	06	13	P700101	55	05
P470666	37	41	P471172	31	16	P471425	04		P700102	55	04
P470667	37	16	P471172	33	16	P471425	06	09	P700103	55	03
P470668	37	45	P471172	33	27	P471433	21	02	P700104	55	23
P470670	23	12	P471172	35	16	P471433	33	12	P700105	55	31
P470671	47	07	P471172	37	27	P471433	37	12	P700106	55	32
P470672	19	03	P471172	43	05	P471433	43	11	P700107	55	20
P470673	31	15	P471172	63		P471433	45	02	P700108	55	17
P470673	33	15	P471178	43	12	P471433	47	01	P700109	55	43
P470673	35	15	P471179	43	15	P471434	45	14	P700110	55	02
P470673	37	15	P471204	11	02	P47197	25	18	P700111	55	22
P470676	23	16	P471206	11	03	P480071	25	11	P700112	55	
P470677	23	15	P471213	43	24	P480071	43	04	P700114	63	
P470678	19	01	P471214	67		P480153	27	07	P700115	59	28
P470683	31	21	P471223	66		P480154	27	06	P700115	61	26
P470683	35	21	P471225	66		P561003	13	18	P700117	63	25
P470714	11	05	P471227	43	18	P561003	17	18	P700118	63	23
P470718	09	22	P471229	23	18	P700009	49	17	P700123	59	
P470723	11	15	P471232	15	16	P700010	49	23	P700138	68	11
P470795	15	17	P471247	23	06	P700011	49	25	P700147	25	25
P470850	25	19	P471247	33	49	P700022	49	19	P700147	66	16
P470851	25	19	P471247	37	49	P700023	49	15	P700148	25	25
P470877	45	12	P471284	33	23	P700026	49	18	P700148	66	08
P470881	15	16	P471284	37	23	P700026	49	21	P700162	59	02
P470904	23	16	P471284	41	14	P700027	49	16	P700162	61	02
P470912	31	45	P471284	64		P700036	49	20	P700162	63	02
P470912	33	45	P471285	64	18	P700037	49	13	P700163	59	03
P470912	35	45	P471289	33	48	P700038	49	24	P700163	61	03
P470915	31	41	P471289	37	48	P700039	49	07	P700163	63	03
P470915	33	41	P471296	25	25	P700039	68	08	P700164	59	04
P470915	33	53	P471297	11	03	P700041	49	26	P700164	61	04
P470915	35	41	P471297	25	16	P700042	49	27	P700164	63	04
P470928	33	10	P471304	21	11	P700057	64	07	P700165	59	06
P470952	33	40	P471306	33	25	P700058	55	33	P700165	61	06
P470952	33	54	P471307	37	25	P700060	55	09	P700165	63	06
P470952	37	50	P471312	31	23	P700061	55	16	P700166	59	08
P471024	13	20	P471312	35	23	P700063	55	12	P700166	61	08
P471024	17	20	P471312	39	14	P700064	55	13	P700166	63	08
P471033	04	13	P471312	64		P700068	55	14	P700168	59	19
P471033	06	13	P471316	31	23	P700069	55	15	P700168	61	16
P471052	25	14	P471316	35	23	P700070	55	26	P700170	61	32
P471102	15	27	P471316	39	14	P700071	55	29	P700180	57	02
P471103	19	19	P471316	64		P700072	55	30	P700181	57	10
P471105	15	24	P471339	33	04	P700073	55	28	P700182	57	15
P471106	15	26	P471339	37	53	P700074	55	27	P700183	57	14
P471126	11	02	P471343	19	04	P700076	55	25	P700184	57	13
P471127	25	12	P471355	13	20	P700081	55	21	P700185	57	09
P471128	25	12	P471355	17	20	P700083	55	01	P700186	57	05
P471147	28	01	P471385	09	02	P700084	55	18	P700187	57	19

Part No.	Page No.	Ref. No.	Part No.	Page No.	Ref. No.	Part No.	Page No.	Ref. No.	Part No.	Page No.	Ref. No.
P700196	56	09	P700472	56	10						
P700199	56	08	P700478	04							
P700220	61	22	P700479	06							
P700220	63	19	P700492	15	14						
P700222	56	07	P700504	15	02						
P700224	50		P700506	61	31						
P700278	49	04	P700510	67	03						
P700295	19	09	P700517	15	01						
P700324	13	22	P700518	61	35						
P700324	17	22	P700519	61	34						
P700393	53	12									
P700394	53	09									
P700395	53	05									
P700396	53	04									
P700397	53	11									
P700397	65	04									
P700397	67	12									
P700399	65	05									
P700399	67	13									
P700400	65	09									
P700400	67	08									
P700401	66	04									
P700402	66	06									
P700403	66	07									
P700404	66	03									
P700405	67	05									
P700406	67	07									
P700407	67	02									
P700408	66	10									
P700411	66	15									
P700412	68	02									
P700413	68	03									
P700414	68	04									
P700422	65	10									
P700422	66	02									
P700422	67	01									
P700422	67	09									
P700422	68	06									
P700423	15	25									
P700423	15	26									
P700424	19	18									
P700424	19	19									
P700424	19	20									
P700429	63	34									
P700459	09	21									
P700460	15	01									
P700461	15	12									
P700462	19	05									
P700463	19	06									
P700464	19	08									
P700465	49										
P700466	49	09									
P700467	51	11									
P700468	51	16									
P700469	61	37									
P700470	63	40									
P700471	61										



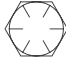
Table of Standard Fasteners




PowerBox T650B/T650BD

Size & Description	Part No.	Size & Description	Part No.
1/4-20 NIN	L520003	1/2-13 FLN	L50070
1/4 P	L50137	1/2 L	L50152
1/4-20 SFN	L50051	1/2-13 N	L50072
		1/2-13 NIN	L520019
5/16-18 SFN	L50056	1/2-20 N	P352600
		1/2-20 N(LH)	P352800
3/8 L	L50147		
3/8-16 NIN	L520005	5/8 L	L50156
3/8 P	L50145	5/8-11 LGN	P356800
3/8-16 SFN	L50061	5/8-11 NIN	L520007
3/8-24 FLN	L50065		
		3/4-10 L	L50158
7/16-14 FLN	L50071	3/4-10 N	L50086
7/16 L	L50150	3/4-10 NIN	L50519
7/16-14N	L50114	3/4 P	L50157
7/16 P	L50149		
		7/8-14L	P700422
		1 L	L50162
		1-8 JN	L50105
		1-14 JN	P351600
		1 P	P245300
		1-1/8 L	P287400
		1-1/4-7 N	P351400

Torque Specifications

Use these torque values when tightening GEHL hardware (excluding: Locknuts and Self-tapping, Thread-forming and Metal Screws) unless otherwise specified.

Unified National Thread	Grade 2 		Grade 5 		Grade 8 	
	Dry	Lubed	Dry	Lubed	Dry	Lubed
8-32	19*	14*	30*	22*	41*	31*
8-36	20*	15*	31*	23*	43*	32*
10-24	27*	21*	43*	32*	60*	45*
10-32	31*	23*	49*	36*	68*	51*
1/4-20	66*	50*	9	75*	12	9
1/4-28	76*	56*	10	86*	14	10
5/16-18	11	9	17	13	25	18
5/16-24	12	9	19	14	25	20
3/8-16	20	15	30	23	45	35
3/8-24	23	17	35	25	50	35
7/16-14	32	24	50	35	70	55
7/16-20	36	27	55	40	80	60
1/2-13	35	35	75	55	110	80
1/2-20	40	40	90	65	120	90
9/16-12	55	55	110	80	150	110
9/16-18	60	60	120	90	170	130
5/8-11	75	75	150	110	220	170
5/8-18	85	85	180	130	240	180
3/4-10	130	130	260	200	380	280
3/4-16	150	150	300	220	420	320
7/8-9	125	125	430	320	600	460
7/8-14	140	140	470	360	660	500
1-8	190	190	640	480	900	680
1-14	210	210	710	530	1000	740

Metric Course Thread	Grade 8.8 		Grade 10.9 		Grade 12.9 	
	Dry	Lubed	Dry	Lubed	Dry	Lubed
M6-1	8	6	11	7	13.5	10*
24M8-1.25	19	14	27	20	32.5	24*
M10-1.5	37.5	28	53	39	64	47
M12-1.75	65	48	91.5	67.5	111.5	82
M14-2	103.5	76.5	145.5	108	176.5	131
M16-2	158.5	117.5	223.5	165.5	271	200

* All torque values are in lb-ft except those marked with an * which are in lb-in.
For metric torque value (Nm) multiply lb-ft x 1.355 or lb-in value x 0.113.

GEHL®

GEHL Company 143 Water Street, P.O. Box 179, West Bend, WI 53095-0179