

***Hustler® Super Z HyperDrive
Parts Manual***



HUSTLER®
ENGINEERING PERFORMANCE™

200 South Ridge Road
Hesston, Kansas
67062

Table of Contents

General Information

Service Literature	1-1
Options Available From Your Dealer.	1-1
Using This Manual	1-1
Hardware Description Codes & Abbreviations	1-2
Standard Torques	1-2

Section 2

Frame	2-2
Engine Guard	2-4

Section 3

Hydraulic System	3-2
Hydraulic Reservoir.	3-4
Hydraulic Motor Service Parts.	3-6
Oil Cooler Mount.	3-8
Pump Drive	3-10
Steering—S/N 13034312 & Higher	3-12
Steering Assembly—S/N 13034312 & Higher.	3-14
Steering Cover Assembly—S/N 13034312 & Higher	3-16
Steering—S/N Prior to 13034312	3-20
LS Steering Box Assembly	3-24
RS Steering Box Assembly.	3-26
Brake.	3-28

Section 4

Wheel & Tire	4-2
Front Wheel Breakdown, Flex Forks®	4-4
Drive Wheel Breakdown	4-6

Section 5

Engine, Kawasaki FX1000V	5-2
Engine Service Parts, Kawasaki FX1000V	5-4
Fuel System	5-6
Fuel Tank Service Parts	5-8

Section 6

Battery.	6-2
Instrument Panel.	6-4

Section 7

60" Side Discharge Service Deck	7-2
60" Side Discharge Deck Pulleys & Spindles	7-4
60" Side Discharge Deck	7-6
66" Side Discharge Service Deck	7-8
66" Side Discharge Deck Pulleys & Spindles	7-10
66" Side Discharge Deck	7-12
72" Side Discharge Service Deck	7-14

72" Side Discharge Deck Pulleys & Spindles	7-16
72" Side Discharge Deck	7-18
Side Discharge Deck Lift	7-20
Side Discharge Deck Mounting Hardware	7-22
60" Rear Discharge Service Deck	7-24
60" Rear Discharge Deck Pulleys & Spindles	7-26
60" Rear Discharge Dust Shield	7-30
60" Rear Discharge Deck	7-32
Rear Discharge Deck Lift	7-36
Rear Discharge Deck Mounting Hardware	7-38

Section 8

Seat	8-2
Seat Service Parts	8-4
ROPS—S/N 15010001 & Higher	8-6
ROPS—S/N Prior to 15010001	8-8

General Information

This manual covers Hustler® Super Z HyperDrive models **932152EX, 932160EX, 932178EX, 932186EX, 932657EX, 934307EX, 934315EX, 934323EX, 934349EX & 934372EX.**

Service Literature

PART NO.	DESCRIPTION
605784	OPERATOR'S MANUAL (S/N 15010001 & HIGHER)
604460	OPERATOR'S MANUAL (S/N PRIOR TO 15010001)
117799	WARRANTY STATEMENT
117592	GENERAL SERVICE MANUAL

Options Available From Your Dealer

PART NO.	DESCRIPTION	PART NO.	DESCRIPTION
113903	60" ADAPTER KIT	113679	60" SAND KIT
113904	66" ADAPTER KIT	113908	66" SAND KIT
113905	72" ADAPTER KIT	113909	72" SAND KIT
932103	BAC-VAC CATCHER	113722	60" MULCH KIT
932467	3 BAG CATCHER	113724	72" MULCH KIT
603167	FLEX FORK KIT	116840	ROLLER KIT (60" DECKS)
113932	HYDRO DECK LIFT KIT	116842	ROLLER KIT (72" DECKS)
117147	LIGHT KIT	113911	DUAL REAR ANTI-SCALP KIT (60" & 66" DECKS)
789537	SEMI-PNEUMATIC TIRE/WHEEL	113910	SINGLE REAR ANTI-SCALP KIT
353961	STEERING EXTENSION KIT	113937	DUAL REAR ANTI-SCALP KIT (72" DECKS)
116305	VX4 DECK HIGH VACUUM KIT 60"		
116307	VX4 DECK HIGH VACUUM KIT 72"		

Note: When ordering parts, you must use the part number as shown for each part, not the index number. Always give the model and serial number to your parts and service representative.

Note: Items sold in bulk such as seals and hoses are sold by the foot.

Using This Manual

This manual is part of a service package for the Hustler® mowers. Use of this manual in conjunction with other Hustler® mower and component manuals will provide the information necessary to service and maintain Hustler® mowers.

This Parts Manual provides a complete parts listing for the unit. Use this manual when ordering parts. Illustrations used were current at the time of printing, but subsequent production changes may cause your machine to vary slightly in detail. Excel Industries, Inc. reserves the right to redesign and change the machine as deemed necessary, without notification. If a change has been made to your machine which is not reflected in this parts manual, see your authorized dealer for current information and parts.

The Service Manual is a service guide for use by Service Technicians. It provides the necessary information needed to perform normal maintenance requirements on these units.

The Operator's Manual provides fundamental operational information and operational safety that is needed when operating the mower.

The component manuals are furnished by the various manufacturers to be used for the troubleshooting and servicing of their products.

Hardware Description Codes & Abbreviations

The following codes are used throughout this parts manual. Refer to this list when ordering parts.

ABBREVIATION	DESCRIPTION	ABBREVIATION	DESCRIPTION
CB	CARRIAGE BOLT	MB	MACHINE BUSHING
CE	CLEVIS PIN	MS	MACHINE SCREW
CN	CLIP NUT	NT	NUT
CP	COTTER PIN	SC	SELF TAPPING CAP SCREW
CS	CAP SCREW	SH	SOCKET HEAD
CW	CUP WASHER	SB	SHOULDER BOLT
FDRW	FENDER WASHER	SS	SET SCREW
FW	FLAT WASHER	OD	OUTSIDE DIAMETER
HX	HEX HEAD	ID	INSIDE DIAMETER
LW	LOCK WASHER	WN	WELD NUT

Standard Torques

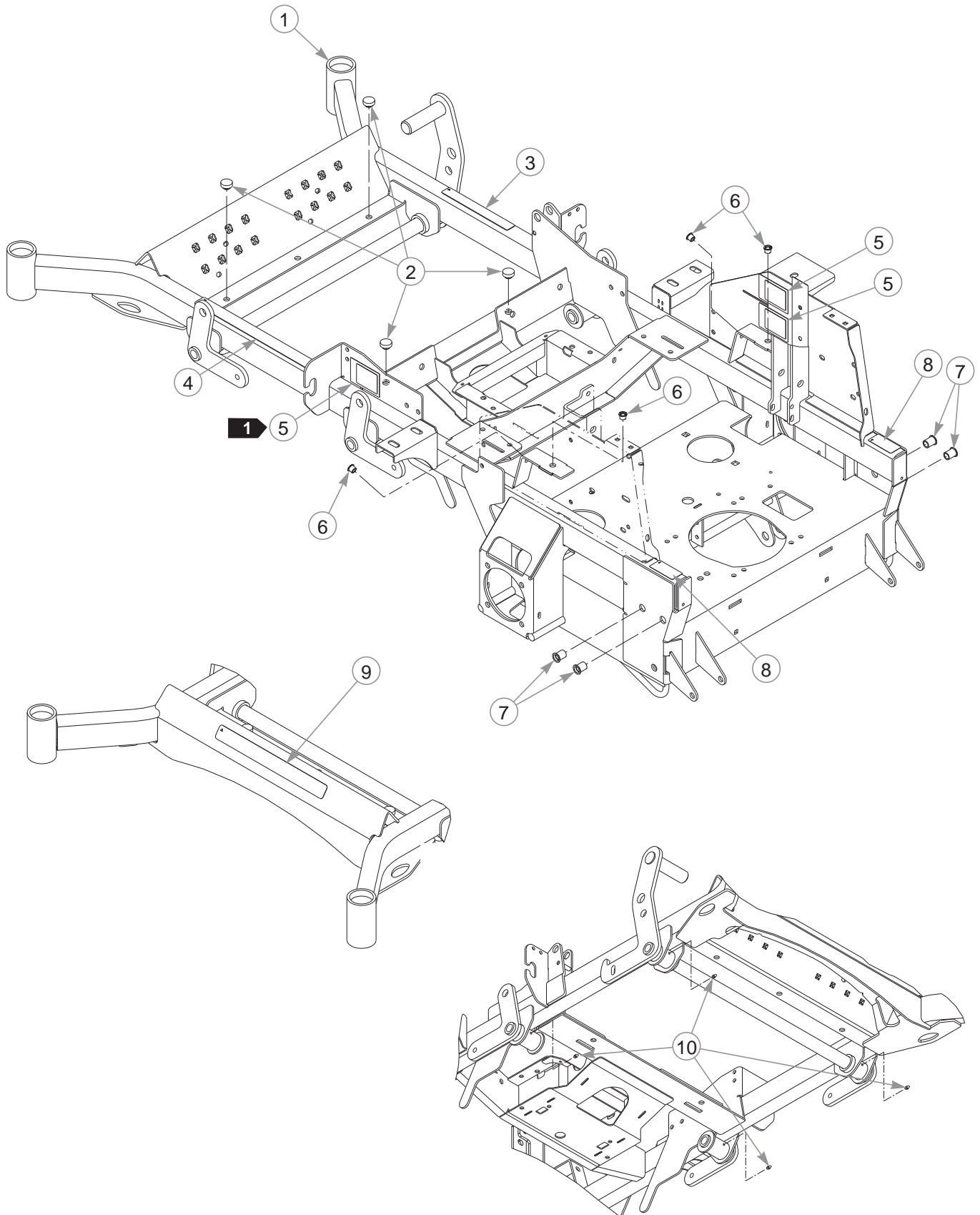
The following chart lists the standard torque values for the threaded fasteners found in this manual. Torque all cap screws, nuts and set screws to these values unless a different torque is shown in the Notes section next to the fastener.

SIZE	FT-LBS	N•M	SIZE	FT-LBS	N•M
.250	8.2	11.1	M3	1	1.3
.312	17	23	M4	2.2	3
.375	30	40	M5	4.5	6.1
.438	48	65	M6	7.7	10.4
.500	73	99	M8	18.5	25
.562	105	143	M10	37	50
.625	145	200	M12	64	87
.750	260	350	M14	80	108.5
.875	420	565	M16	160	215
1.00	625	850	M20	320	435
			M24	555	750

Section 2

Frame	2-2
Engine Guard.....	2-4

Frame



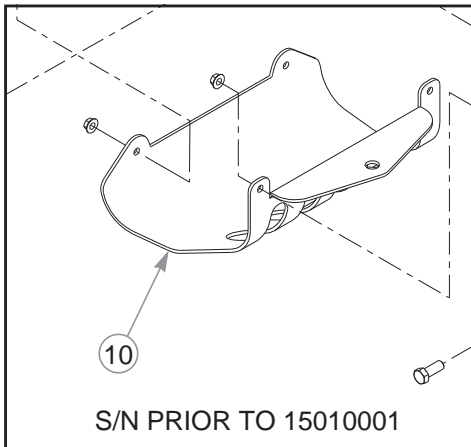
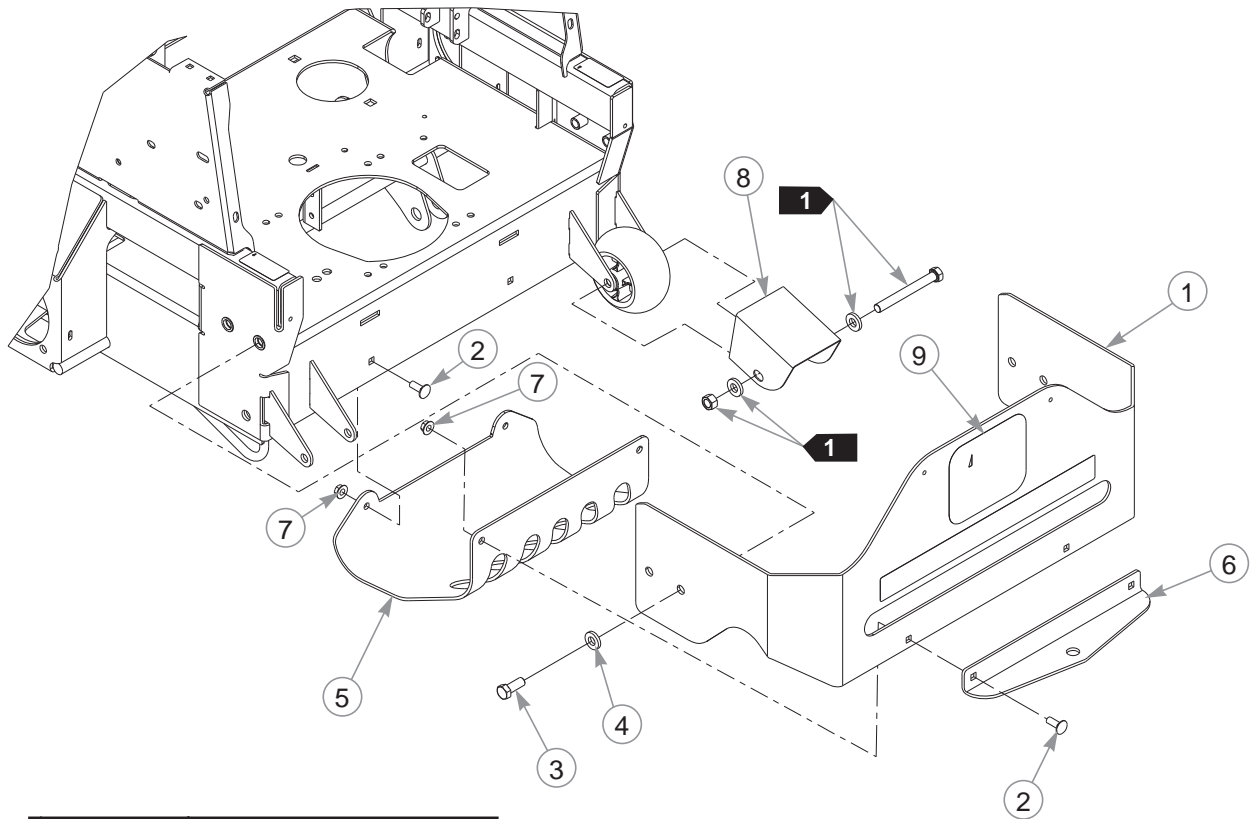
Frame

INDEX NO.	PART NO.	QTY.	DESCRIPTION
1	551763	1	60" SD FRAME (WITH DECALS, RIVET NUTS, BUMPERS & GREASE FITTINGS)
	551764	1	66" SD FRAME (WITH DECALS, RIVET NUTS, BUMPERS & GREASE FITTINGS)
	551765	1	72" SD FRAME (WITH DECALS, RIVET NUTS, BUMPERS & GREASE FITTINGS)
	551766	1	60" RD FRAME (WITH DECALS, RIVET NUTS, BUMPERS & GREASE FITTINGS)
	551767	1	72" RD FRAME (WITH DECALS, RIVET NUTS, BUMPERS & GREASE FITTINGS)
2	781880	4	BUMPER
3	781427	1	DECK HEIGHT DECAL
4	601993	1	SAFE OPERATION DECAL
5	N/A	1	SERIAL NUMBER / SPEC DECAL
6	808493	4	3/8-16 THREAD RIVET NUT
7	600961	4	1/2-13 THREAD RIVET NUT
8	602041	2	HOT DECAL
9	602407	1	HUSTLER ID DECAL
10	015495	4	GREASE FITTING STRAIGHT

NOTES:

1. Serial number decal. In the event the serial number decal becomes damaged or illegible, please contact your dealer to order a replacement.

Engine Guard



Engine Guard

INDEX NO.	PART NO.	QTY.	DESCRIPTION
1	118933	1	ENGINE GUARD
2	025395	4	CB .375-16 X 1.00 G5 ZNY
3	705954	4	CS .500-13 X 1.25 HX G5
4	767962	4	FW .531 X 1.063 X .175
5	121374	1	MUFFLER SHIELD (S/N 15010001 & HIGHER)
6	121375	1	HITCH PLATE (S/N 15010001 & HIGHER)
7	016899	4	NT .375-16 HX FLK G5
8	377994	2	SHIELD
9	604352	1	H LOGO DECAL
10	115905	1	HITCH (S/N PRIOR TO 15010001)

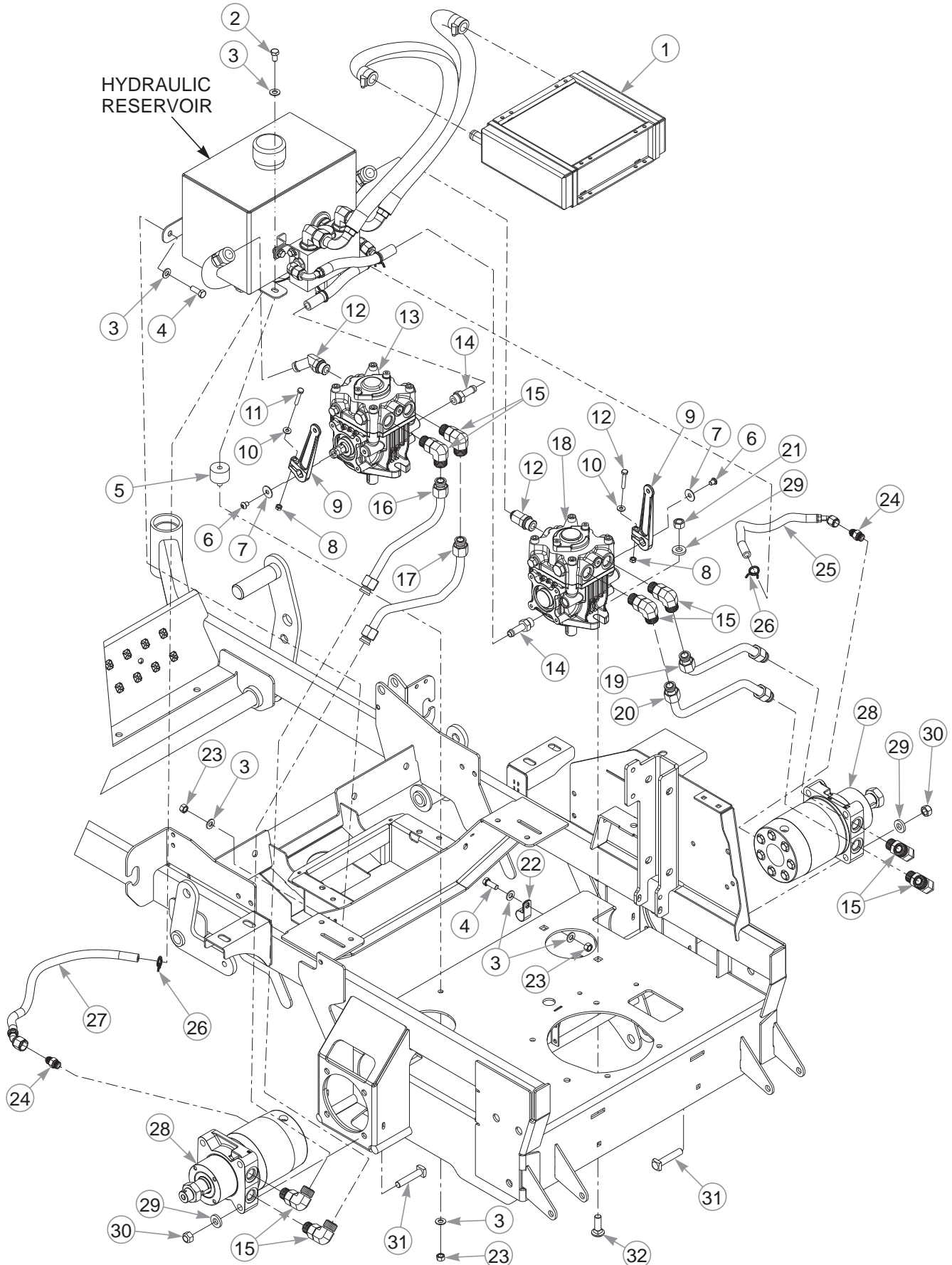
NOTES:

1. See the Wheel & Tire section.

Section 3

Hydraulic System	3-2
Hydraulic Reservoir	3-4
Hydraulic Motor Service Parts	3-6
Oil Cooler Mount	3-8
Pump Drive	3-10
Steering—S/N 13034312 & Higher	3-12
Steering Assembly—S/N 13034312 & Higher	3-14
Steering Cover Assembly—S/N 13034312 & Higher	3-16
Steering—S/N Prior to 13034312	3-20
LS Steering Box Assembly	3-24
RS Steering Box Assembly	3-26
Brake	3-28

Hydraulic System

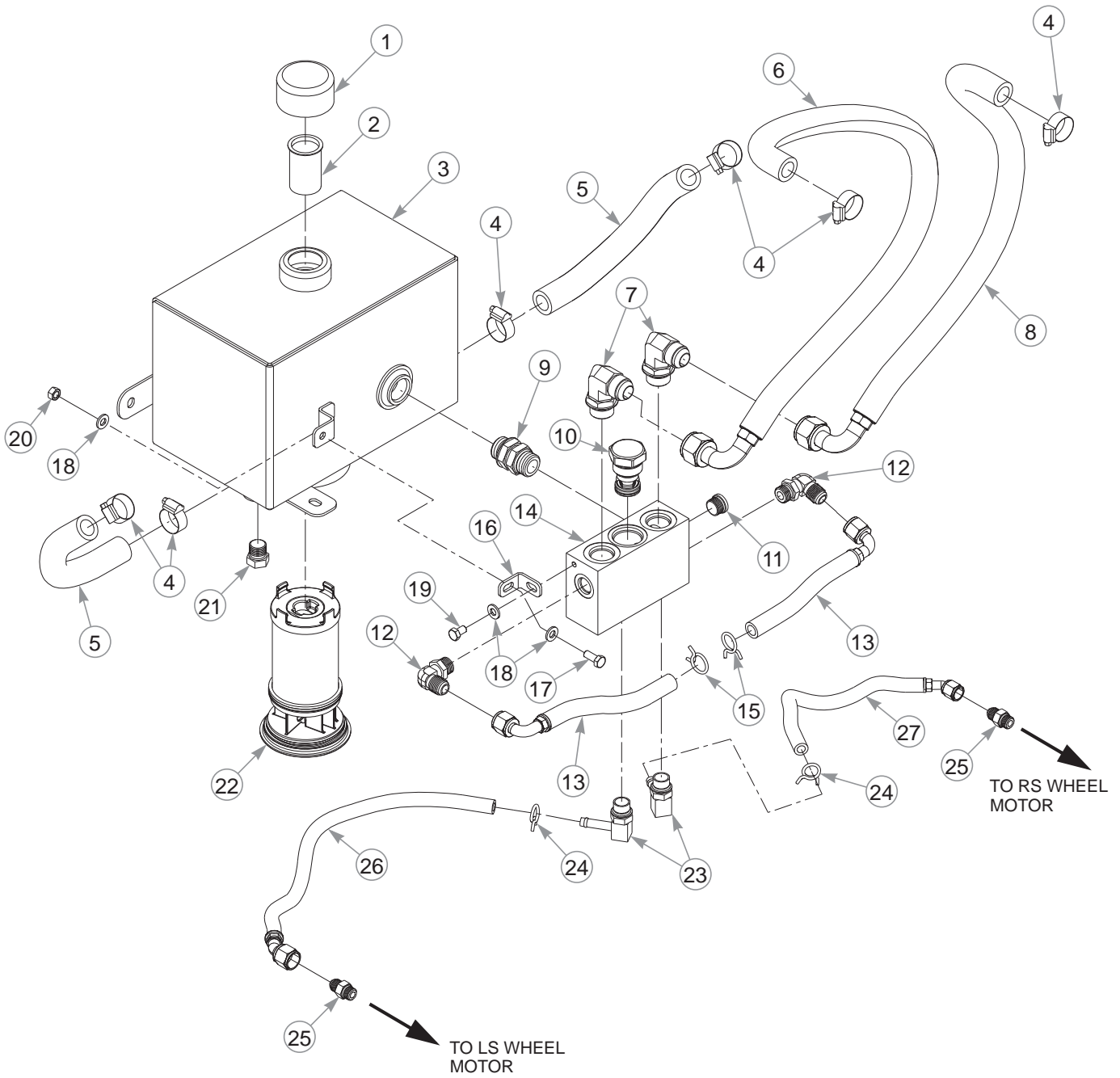


Hydraulic System

INDEX NO.	PART NO.	QTY.	DESCRIPTION
1	602709	1	HYDRAULIC OIL COOLER
2	056069	1	CS .375-16 X .625 HX G5
3	767954	10	FW .379 X .813 X .063
4	036244	4	CS .375-16 X 1.00 HX G5
5	601571	1	VIBRATION MOUNT
6	603272	2	CS M8-1.25 X 10 G10.9 SHBH
7	079210	2	FW .344 X 1.00 X .06 ZNYC
8	068551	2	NT .250-20 HX ZY NL
9	602732	2	PUMP ARM
10	768515	2	FW .281 X .625 X .066
11	008581	2	CS .250-20 X 1.50 HX G5
12	774968	2	FTG, -10MORB/-12BT 45°
13	602556	1	LS PUMP
	603362	1	SEAL KIT
14	601523	2	FTG, -8MORB/-8BT STR
15	602443	8	FTG, -10MORB/-10MORFS 90°
16	602873	1	TUBE, LP-BM LH LOOP
17	602874	1	TUBE, RP-TM LH LOOP
18	602964	1	RS PUMP
	603362	1	SEAL KIT
19	602876	1	TUBE, RP-TM RH LOOP
20	602875	1	TUBE, LP-BM RH LOOP
21	008193	4	NT .500-13 HX G5 ZNYC
22	043570	2	LOOP CLAMP
23	054502	5	NT .375-16 HX G5 ZNY
24	779132	2	FTG, -6MORB/-6MJIC STR
25	603044	1	RS CASE DRAIN HOSE
26	601617	2	SPRING CLAMP
27	603043	1	LS CASE DRAIN HOSE
28	602714	2	WHEEL MOTOR
29	767962	12	FW .531 X 1.063 X .175
30	023317	8	NT .500-13 UNT LK G8 ZN
31	602256	8	CS .500-13 X 2.50 SQ G5
32	028274	4	CB .500-13 X 1.50 FULL

NOTES:

Hydraulic Reservoir

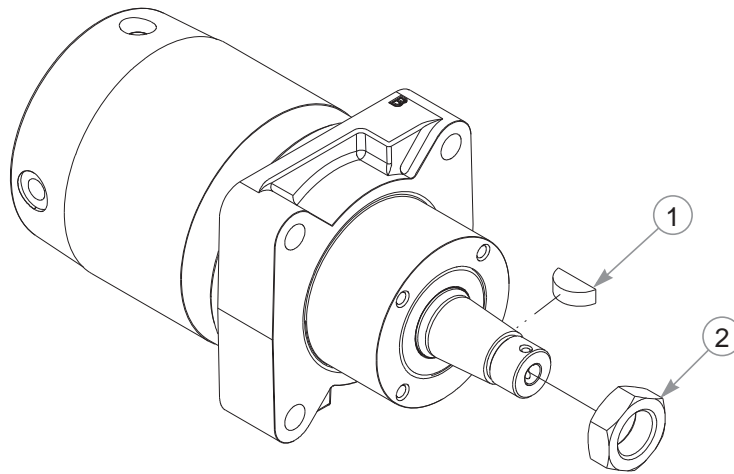


Hydraulic Reservoir

INDEX NO.	PART NO.	QTY.	DESCRIPTION
1	032763	1	BREATHER CAP
2	032771	1	STRAINER
3	602767	1	HYDRAULIC RESERVOIR
4	700484	6	HOSE CLAMP
5	603045	2	PUMP SUCTION HOSE
6	603046	1	HOSE, TO COOLER
7	603189	2	FITTING, -12MORB/-12MJIC 90°
8	603047	1	HOSE, FROM COOLER
9	603039	1	FITTING, -12MORB/-12MORB STR
10	603053	1	CHECK VALVE
11	603123	1	FITTING, -8MORB HEX PLUG
12	771311	2	FITTING, -8MORB/-8MJIC, 90°
13	603042	2	HOSE, PUMP CASE DRAIN
14	603000	1	CASE DRAIN MANIFOLD
15	601001	2	SPRING CLAMP
16	113623	1	SUPPORT BRACKET
17	034280	1	CS .312-18 X .75 HX G5
18	768523	3	FW .343 X .687 X .051/.080H
19	068346	1	CS .312-18 X .50 HX G8
20	034272	1	NT .312-18 HX G5
21	781658	1	FITTING, -8MORB HEX PLUG
22	602768X	1	HYDRAULIC FILTER
23	603190	2	FITTING, -8MORB/-6BT 90°
24	601617	2	SPRING CLAMP
25	779132	2	FITTING, -6MORB/-6MJIC STR
26	603043	1	LS CASE DRAIN HOSE
27	603044	1	RS CASE DRAIN HOSE

NOTES:

Hydraulic Motor Service Parts

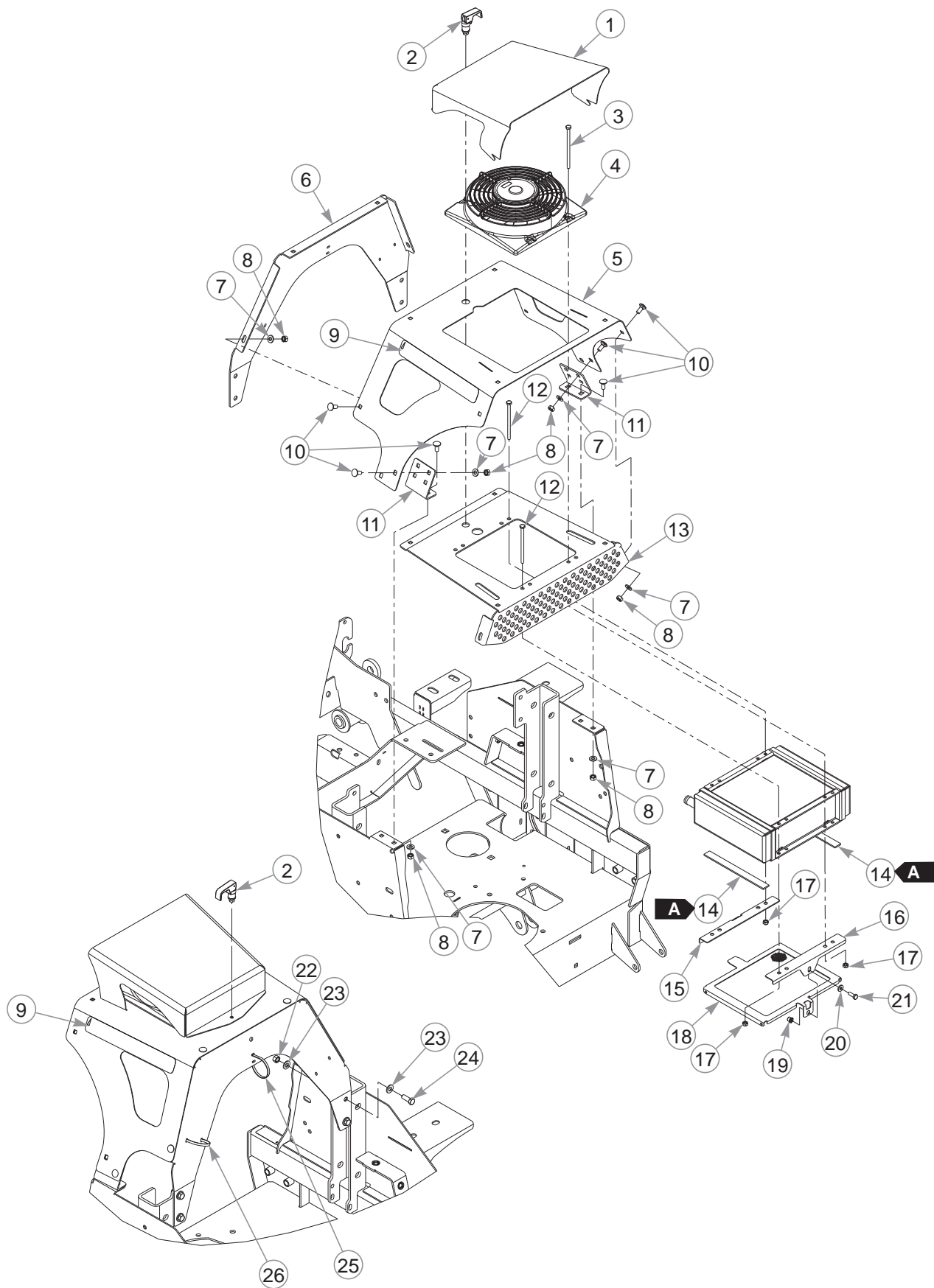


INDEX NO.	PART NO.	QTY.	DESCRIPTION
1	064337	1	WOODRUFF KEY
2	065516	1	CASTLE NUT
3	748806	1	SEAL KIT (NOT SHOWN)

NOTES:

This page intentionally left blank.


Oil Cooler Mount



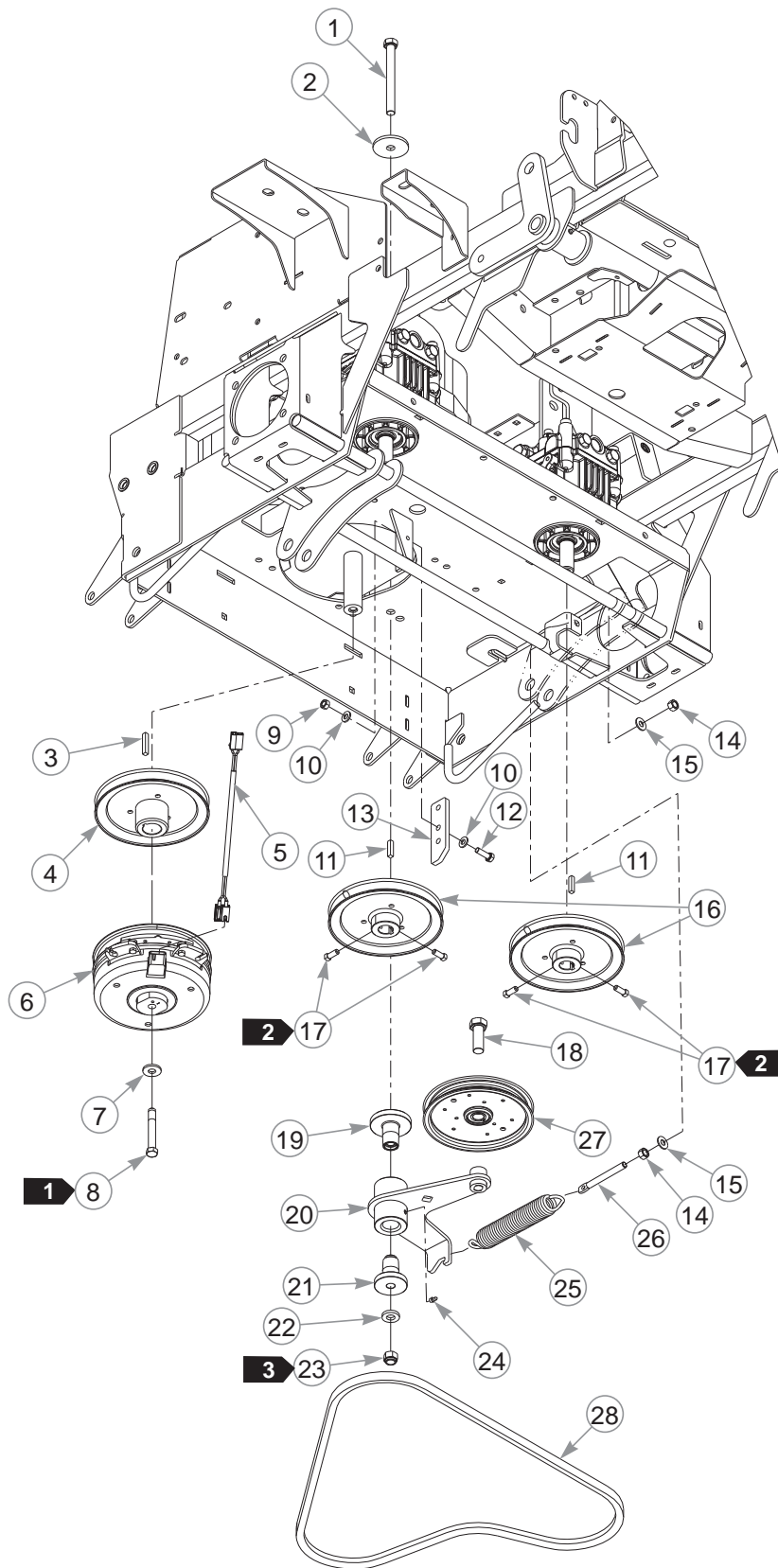
Oil Cooler Mount

INDEX NO.	PART NO.	QTY.	DESCRIPTION
1	114038	1	AIR SCOOP
2	791384	1	LATCH
3	603229	4	CS .250-20 X 4.50 HX G5
4	603066	1	FAN 9"
5	117407	1	OIL COOLER COVER
6	114040	1	COOLER MOUNT FIREWALL
7	768523	16	FW .343 X .687 X .051/.080H
8	034272	16	NT .312-18 HX G5
9	603290	2	HYPERDRIVE DECAL
10	016253	16	CB .312-18 X .75 FUL ZN
11	117725	2	COOLER MOUNT BRACKET
12	603228	2	CS .250-20 X 4.00 HX G5
13	114039	1	UPPER COOLER MOUNT
14	033035	15.5"	WEATHERSTRIP
15	114141	1	FRONT SCREEN MOUNT BRACKET
16	114142	1	REAR SCREEN MOUNT BRACKET
17	068551	6	NT .250-20 HX ZY NL
18	114165	1	SCREEN
19	808477	1	1/4-20 THREAD RIVET NUT
20	768515	1	FW .281 X .625 X .066
21	055939	1	CS .250-20 X .75 HX G5
22	054502	4	NT .375-16 HX G5 ZNY
23	767954	8	FW .379 X .813 X .063
24	036244	4	CS .375-16 X 1.00 HX G5
25	000331	1	WIRE TIE
26	000430	2	WIRE TIE

NOTES:

WEATHERSTRIP LENGTH	
A 	7.75"

Pump Drive



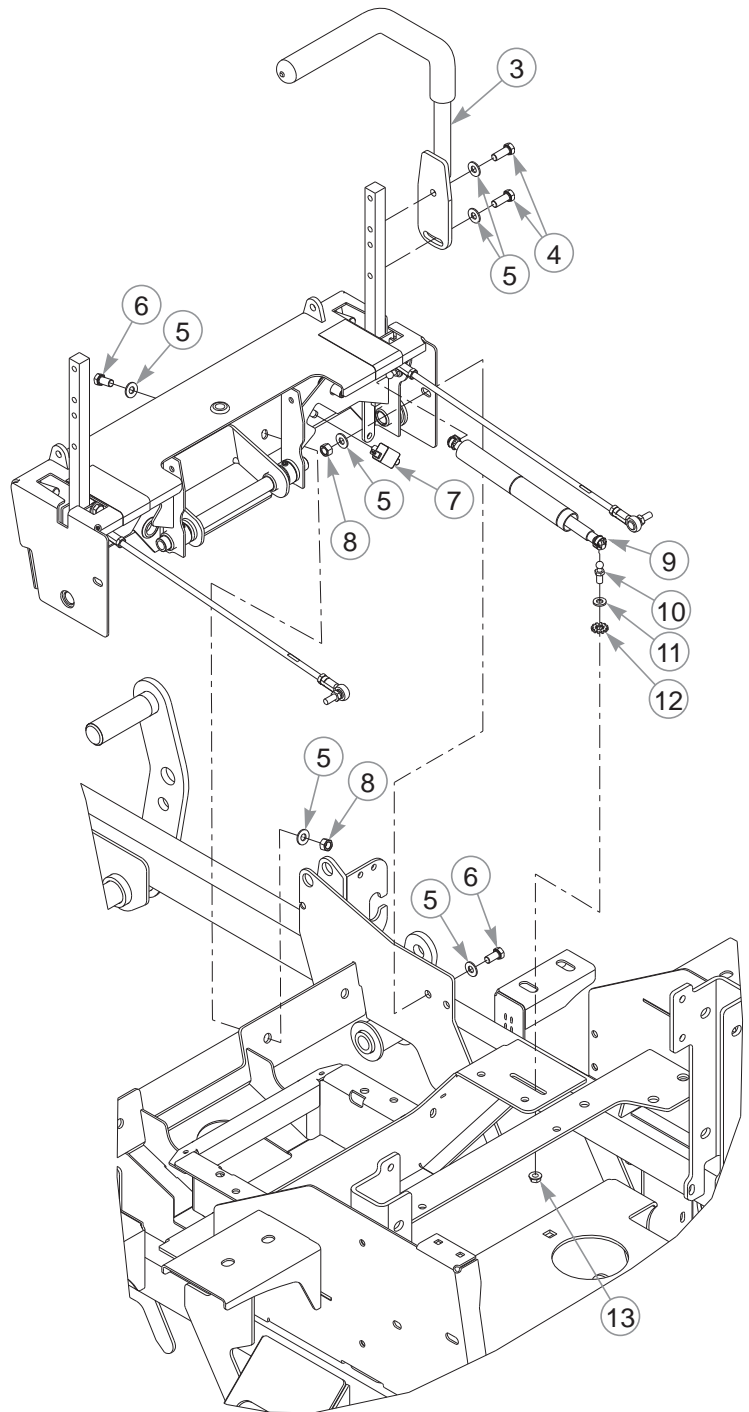
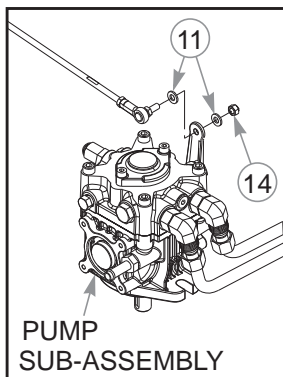
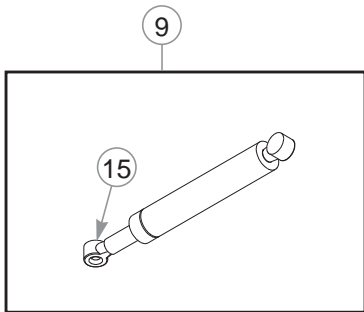
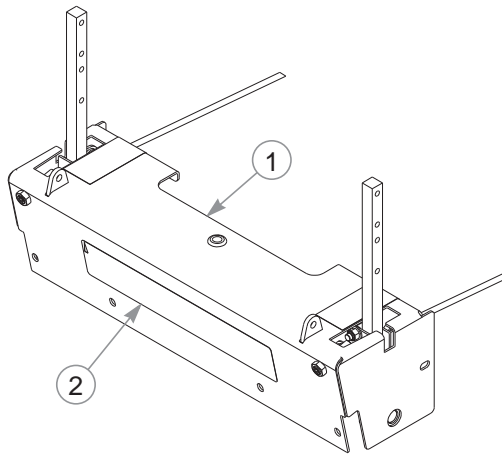
Pump Drive

INDEX NO.	PART NO.	QTY.	DESCRIPTION
1	051151	1	CS .500-13 X 5.00 HX G5
2	344267	1	FW .510 X 2.15 X .187 SPL
3	212076	1	KEY 1/4 SQ X 1.50 LG
4	602755	1	PULLEY 7.0 OD X 1.125 SHFT
5	791251	1	CLUTCH HARNESS PIGTAIL
6	601278K	1	CLUTCH KIT
7	602680	1	FW .453 X 1.12 X .119 HRD
8	785048	1	CS .437-20 X 3.00 HX G5 P85
9	034272	2	NT .312-18 HX G5
10	768523	4	FW .343 X .687 X .051/.080H
11	210146	2	KEY 1/4 SQ X 1.12 LONG
12	036236	2	CS .312-18 X 1.00 HX G5
13	113347	1	CLUTCH ANCHOR
14	054502	2	NT .375-16 HX G5 ZNY
15	767954	2	FW .379 X .813 X .063
16	602754	2	PULLEY 7.35 OP X 0.875 SHFT
17	083196	4	SS .312-18 X .75 SQ-HD
18	025007	1	CS .625-11 X 1.75 HX G5
19	602880	1	IDLER PIVOT BUSHING
20	115536	1	TENSIONER
21	602879	1	IDLER PIVOT BUSHING
22	767962	1	FW .531 X 1.063 X .175
23	781567	1	NT .500-13 HX G8 ZY NL
24	015495	1	GREASE FITTING STRAIGHT
25	601016	1	IDLER SPRING
26	601486	1	EB, .375-16 X 3.00 FULL THD
27	603783	1	6" IDLER PULLEY
28	604208	1	BELT, 64.89" B B-SECTION

NOTES:

1. Torque to 45–48 ft-lbs. Replace (do not re-use) the fastener if it's loosened or removed. Use only hand tools to install this fastener.
2. Torque to 12–15 ft-lbs.
3. Torque to 71–75 ft-lbs. The tensioner should pivot freely.

Steering—S/N 13034312 & Higher

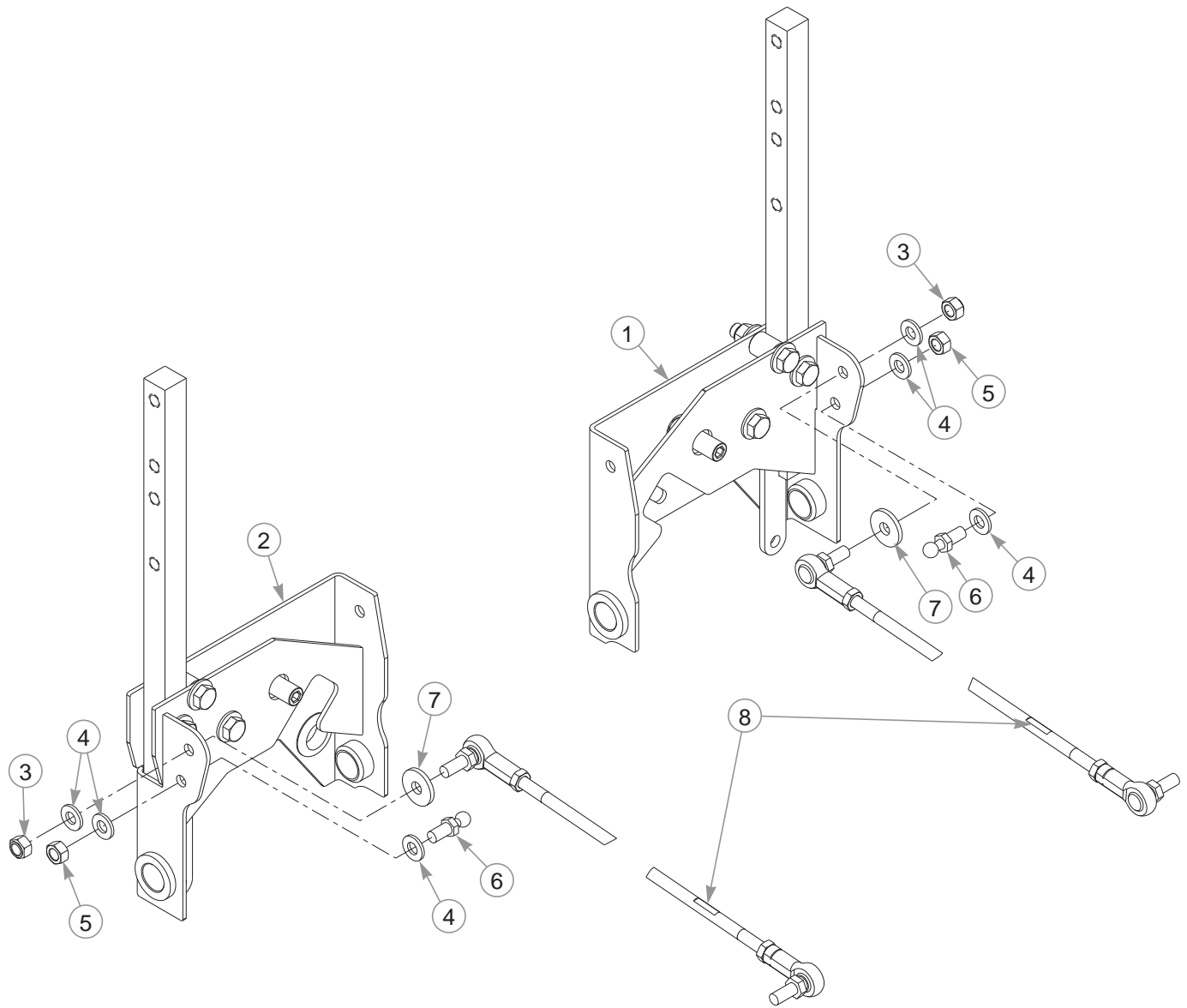


Steering—S/N 13034312 & Higher

INDEX NO.	PART NO.	QTY.	DESCRIPTION
1	N/A	1	STEERING COVER ASSEMBLY
2	605671	1	SUPER Z HD DECAL
3	109839	2	HANDLE (WITH GRIP)
	781260	2	GRIP
4	036244	4	CS .375-16 X 1.00 HX G5
5	767954	16	FW .379 X .813 X .063
6	055822	6	CS .375-16 X .75 HX G5
7	601087	2	SWITCH
8	054502	6	NT .375-16 HX G5 ZNY
9	603192	2	STEERING DAMPER
10	781922	2	BALL STUD
11	768523	6	FW .343 X .687 X .051/.080H
12	029876	2	LW .325 INT-EXT TOOTH
13	016832	2	NT .312-18 HX FLK ZNYC
14	023655	2	NT .312-24 HX NL G5
15	601426	1	CAP LOCK

NOTES:

Steering Assembly—S/N 13034312 & Higher

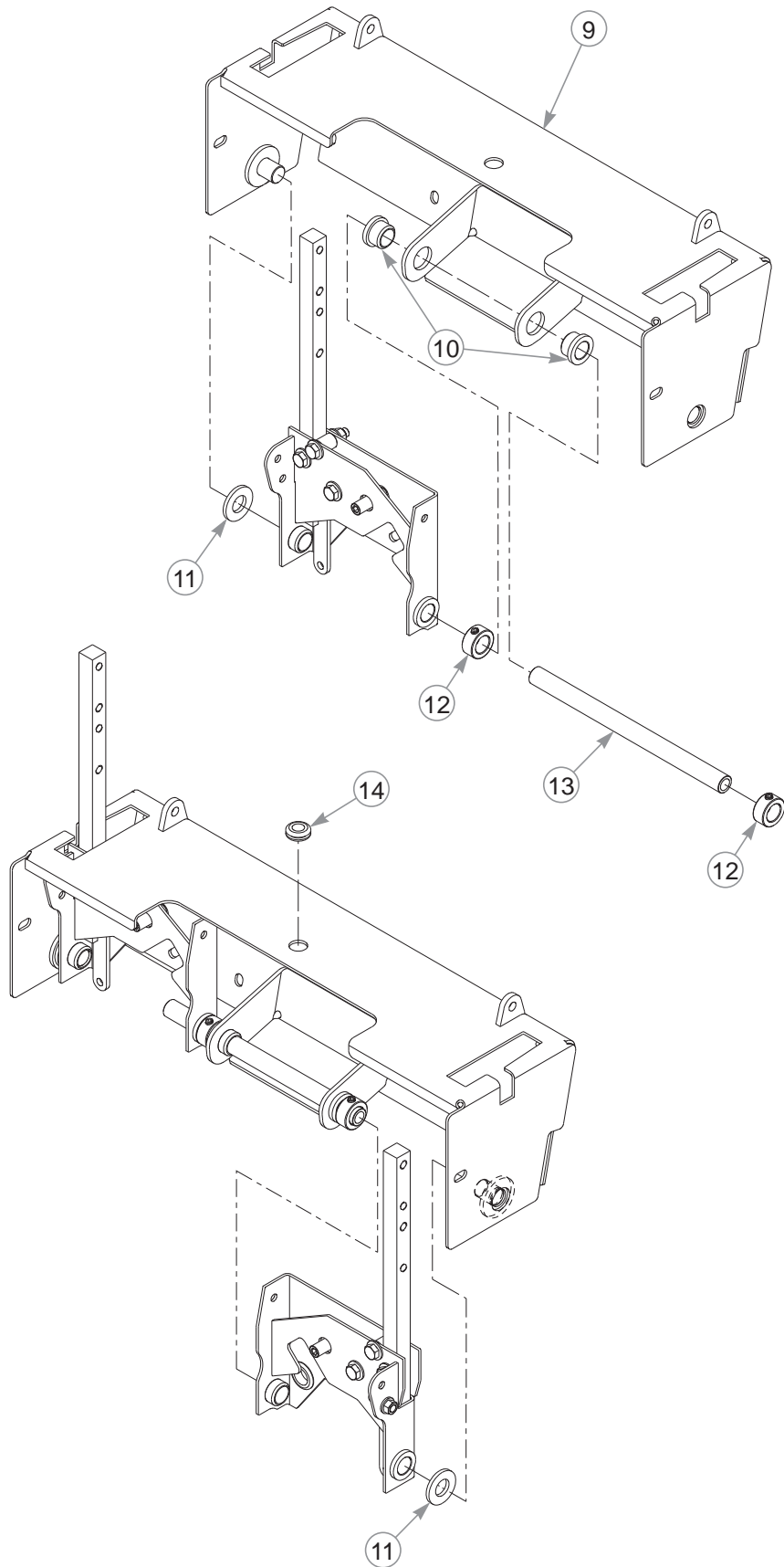


Steering Assembly—S/N 13034312 & Higher

INDEX NO.	PART NO.	QTY.	DESCRIPTION
1	604295	1	RS STEERING BOX ASSEMBLY
2	604296	1	LS STEERING BOX ASSEMBLY
3	023655	2	NT .312-24 HX NL G5
4	768523	6	FW .343 X .687 X .051/.080H
5	034272	2	NT .312-18 HX G5
6	781922	2	BALL STUD
7	712927	2	FW .344 X 1.00 X .12 HRD Z
8	781286	2	PUMP ROD ADJUSTER

NOTES:

Steering Cover Assembly—S/N 13034312 & Higher

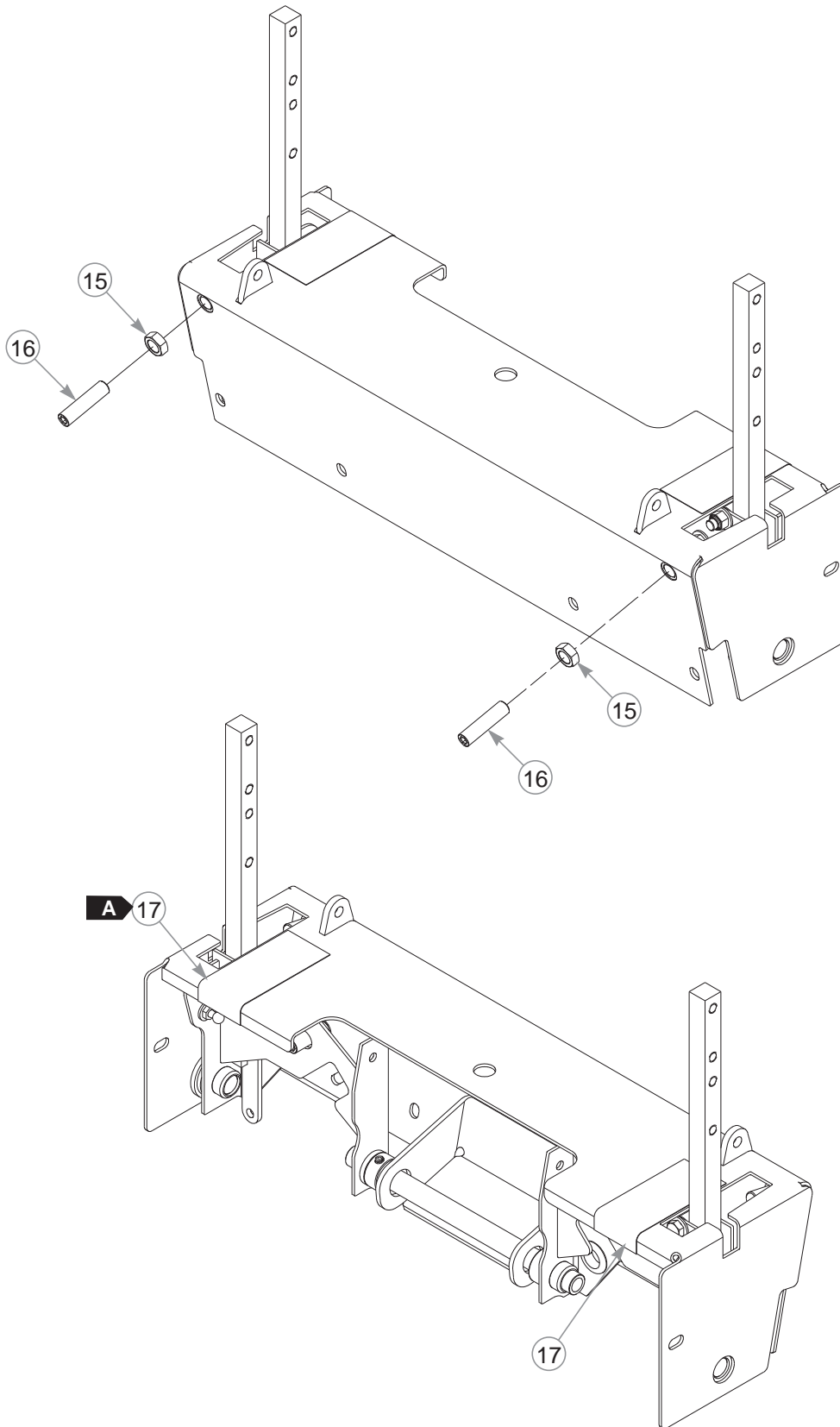


Steering Cover Assembly—S/N 13034312 & Higher

INDEX NO.	PART NO.	QTY.	DESCRIPTION
9	550818	1	STEERING COVER (WITH DECAL)
10	781153	2	BUSHING
11	603078	2	FW .750 X 1.50 X .156 ZN
12	784439	2	LOCK COLLAR .757 ID
13	113007	1	STEER PIVOT TUBE
14	080358	1	GM .50 X 1.00 X .75 X .12

NOTES:

Steering Cover Assembly—S/N 13034312 & Higher



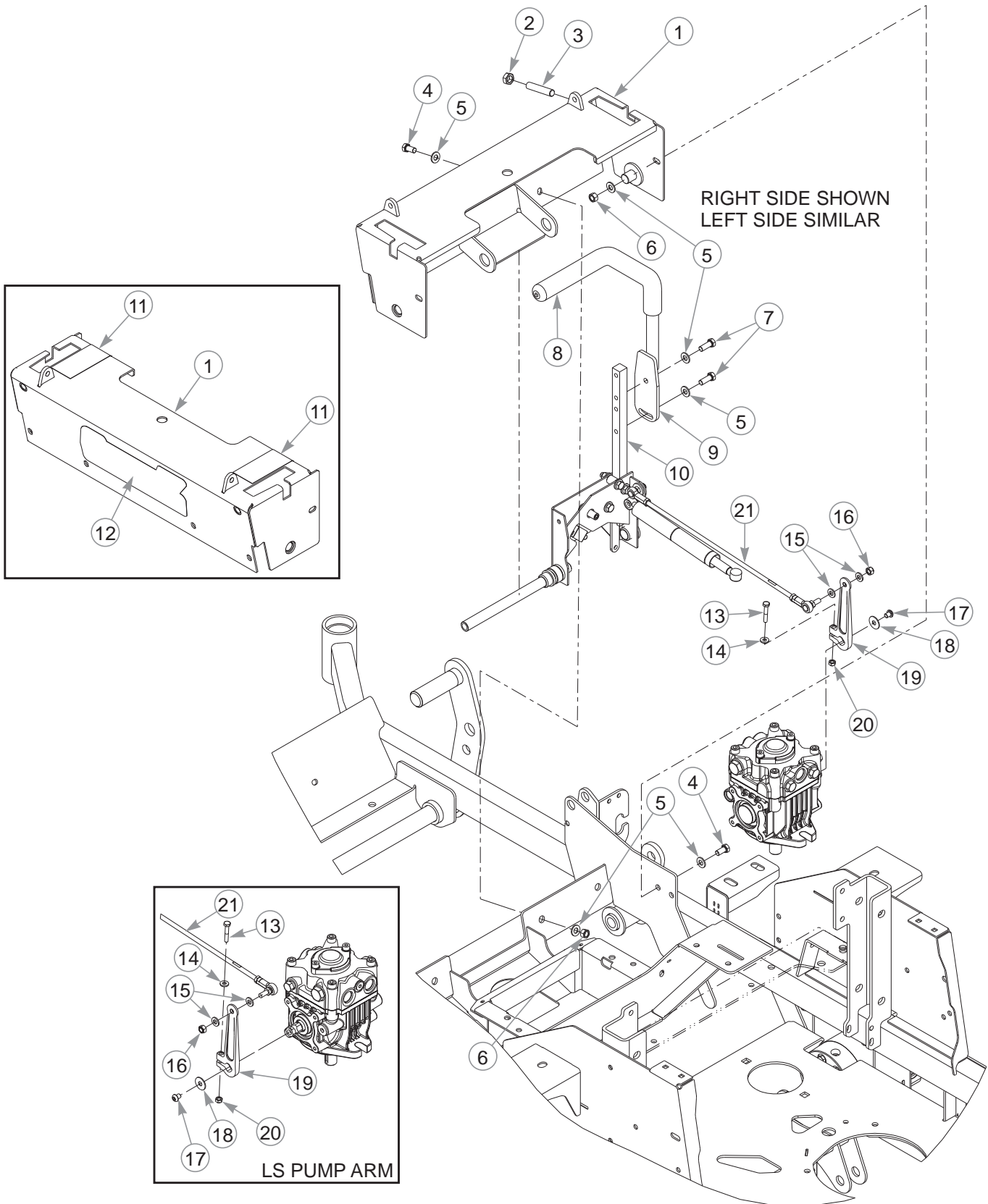
Steering Cover Assembly—S/N 13034312 & Higher

INDEX NO.	PART NO.	QTY.	DESCRIPTION
15	053199	2	NT .500-13 HX JAM ZNYC
16	797738	2	SS .500-13 X 2.00 SH
17	722199	11"	WEAR TAPE

NOTES:

WEAR TAPE LENGTH	
	5.5" ± 0.3"

Steering—S/N Prior to 13034312

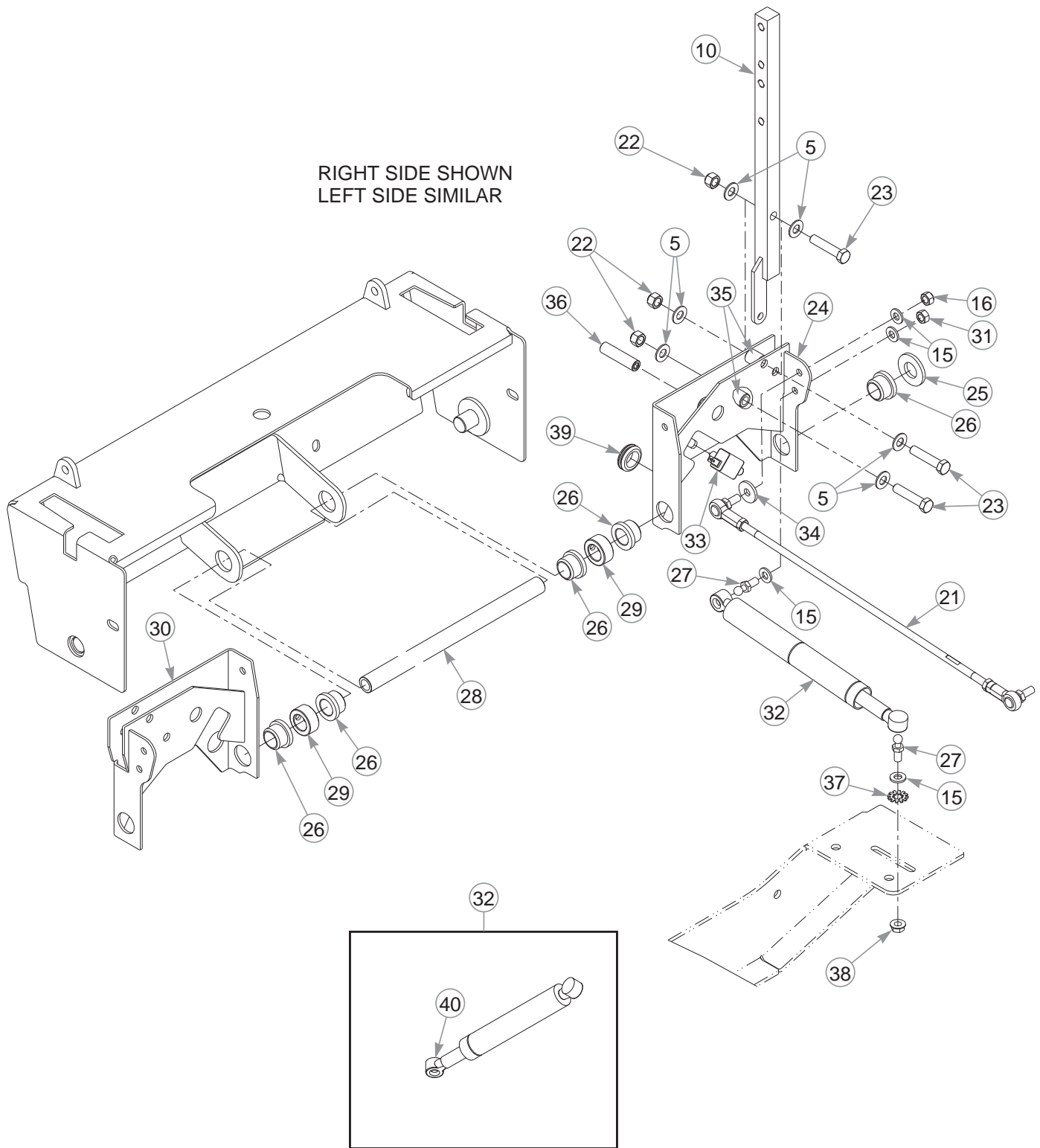


Steering—S/N Prior to 13034312

INDEX NO.	PART NO.	QTY.	DESCRIPTION
1	550818	1	STEERING COVER (WITH DECALS)
2	053199	2	NT .500-13 HX JAM ZNYC
3	603055	2	SS 1/2-13 X 2.50 SH ZNYC
4	055822	6	CS .375-16 X .75 HX G5
5	767954	28	FW .379 X .813 X .063
6	054502	6	NT .375-16 HX G5 ZNY
7	036244	4	CS .375-16 X 1.00 HX G5
8	781260	2	STEERING BAR GRIP
9	109839	2	HANDLE (WITH GRIP)
10	113575	2	STEERING ARM
11	722199	11"	WEAR TAPE
12	604557	1	SUPER Z HD DECAL
13	008581	2	CS .250-20 X 1.50 HX G5
14	768515	2	FW .281 X .625 X .066
15	768523	12	FW .343 X .687 X .051/.080H
16	023655	4	NT .312-24 HX NL G5
17	603272	2	CS M8-1.25 X 10 G10.9 SHBH
18	079210	2	FW .344 X 1.00 X .06 ZNYC
19	602732	2	PUMP ARM
20	068551	2	NT .250-20 HX ZY NL
21	781286	2	PUMP ROD ADJUSTER

NOTES:

Steering—S/N Prior to 13034312

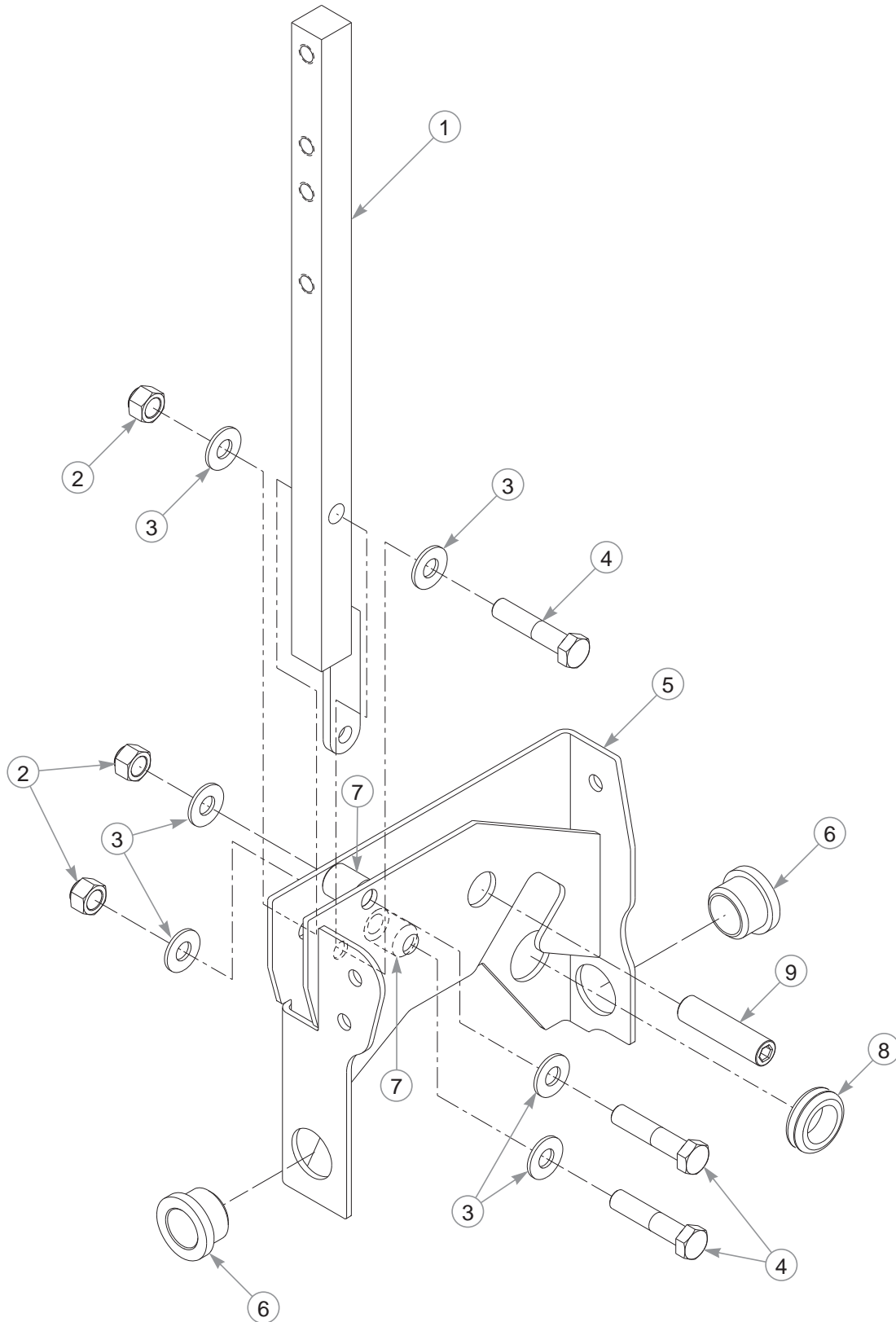


Steering—S/N Prior to 13034312

INDEX NO.	PART NO.	QTY.	DESCRIPTION
22	086660	6	NT .375-16 HX G5 ZY NL
23	705178	6	CS .375-16 X 1.75 HX G5
24	112898	1	RS STEERING BOX
25	603078	2	FW .750 X 1.50 X .156 ZN
26	781153	6	BUSHING
27	781922	4	BALL STUD
28	113007	1	STEER PIVOT TUBE
29	784439	2	LOCK COLLAR, 0.757 ID
30	112899	1	LS STEERING BOX
31	034272	2	NT .312-18 HX G5
32	603192	2	DAMPER
33	601087	2	SWITCH
34	712927	2	FW .344 X 1.00 X .12 HRD Z
35	348862	4	STEERLEVER BUSHING
36	797738	2	SS .500-13 X 2.00 SH ZY
37	029876	2	LW .325 INT-EXT TOOTH
38	016832	2	NT .312-18 HX FLK ZNYC
39	047456	2	GM .750 X .188 X 1.00 X .12
40	601426	1	CAP LOCK

NOTES:

LS Steering Box Assembly

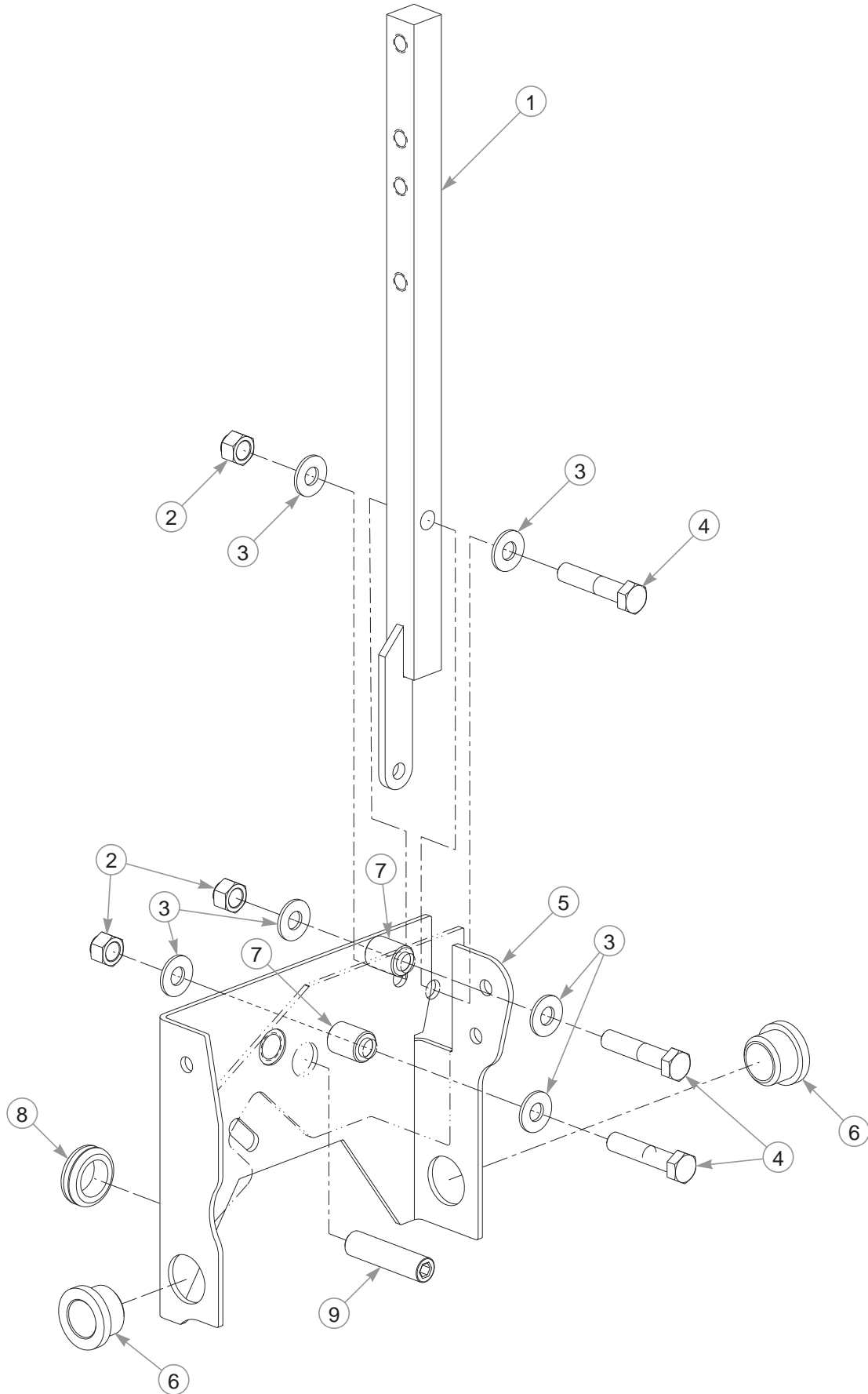


LS Steering Box Assembly

INDEX NO.	PART NO.	QTY.	DESCRIPTION
1	113575	1	STEERING ARM
2	086660	3	NT .375-16 HX G5 ZY NL
3	767954	6	FW .379 X .813 X .063
4	705178	3	CS .375-16 X 1.75 HX G5
5	112899	1	LS STEERING BOX
6	781153	2	BUSHING
7	348862	2	STEERLEVER BUSHING
8	047456	1	GM .750 X .188 X 1.00 X .12
9	797738	1	SS .500-13 X 2.00 SH ZY

NOTES:

RS Steering Box Assembly

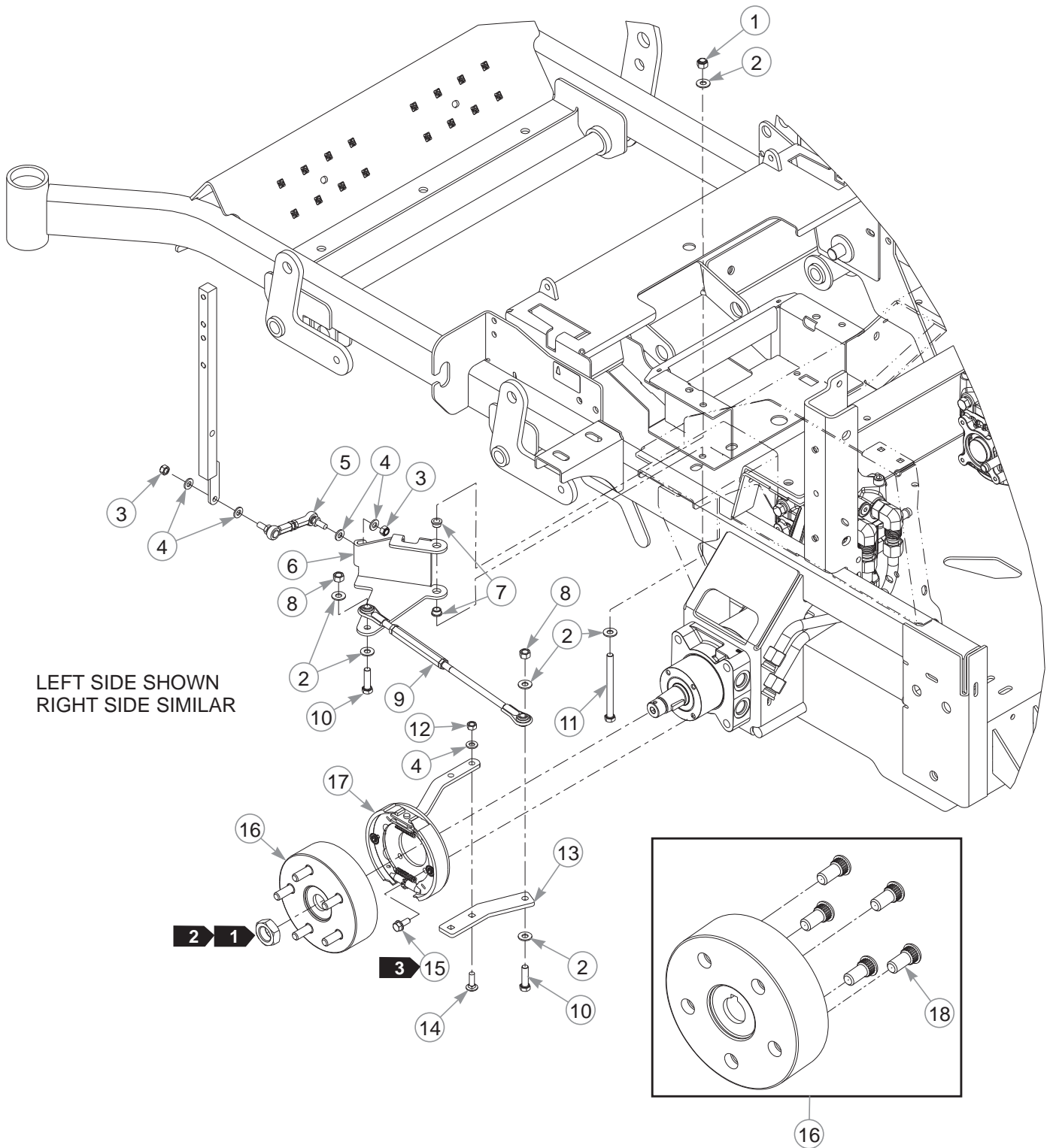


RS Steering Box Assembly

INDEX NO.	PART NO.	QTY.	DESCRIPTION
1	113575	1	STEERING ARM
2	086660	3	NT .375-16 HX G5 ZY NL
3	767954	6	FW .379 X .813 X .063
4	705178	3	CS .375-16 X 1.75 HX G5
5	112898	1	RS STEERING BOX
6	781153	2	BUSHING
7	348862	2	STEERLEVER BUSHING
8	047456	1	GM .750 X .188 X 1.00 X .12
9	797738	1	SS .500-13 X 2.00 SH ZY

NOTES:

Brake



Brake

INDEX NO.	PART NO.	QTY.	DESCRIPTION
1	086660	2	NT .375-16 HX G5 ZY NL
2	767954	12	FW .379 X .813 X .063
3	023655	4	NT .312-24 HX NL G5
4	768523	12	FW .343 X .687 X .051/.080H
5	781583	2	BRAKE ROD ASSEMBLY
6	112907	1	LS BRAKE BELLCRANK
	112906	1	RS BRAKE BELLCRANK (NOT SHOWN)
7	765339	4	BUSHING
8	054502	4	NT .375-16 HX G5 ZNY
9	350397	2	BRAKE LINK TURNBUCKLE
10	005116	4	CS .375-16 X 1.375 HX G5
11	052514	2	CS .375-16 X 4.50 HX G5
12	034272	4	NT .312-18 HX G5
13	111309	2	BRAKE ARM
14	037887	4	CB .312-18 X 1.00 FULL ZN
15	604461	8	CS .312-18 X .75 HX G8 FLK
16	602384	2	HUB ASSEMBLY (WITH STUDS)
17	602383	2	BRAKE ASSEMBLY
18	601085	5	WHEEL STUD LUG 1/2-20

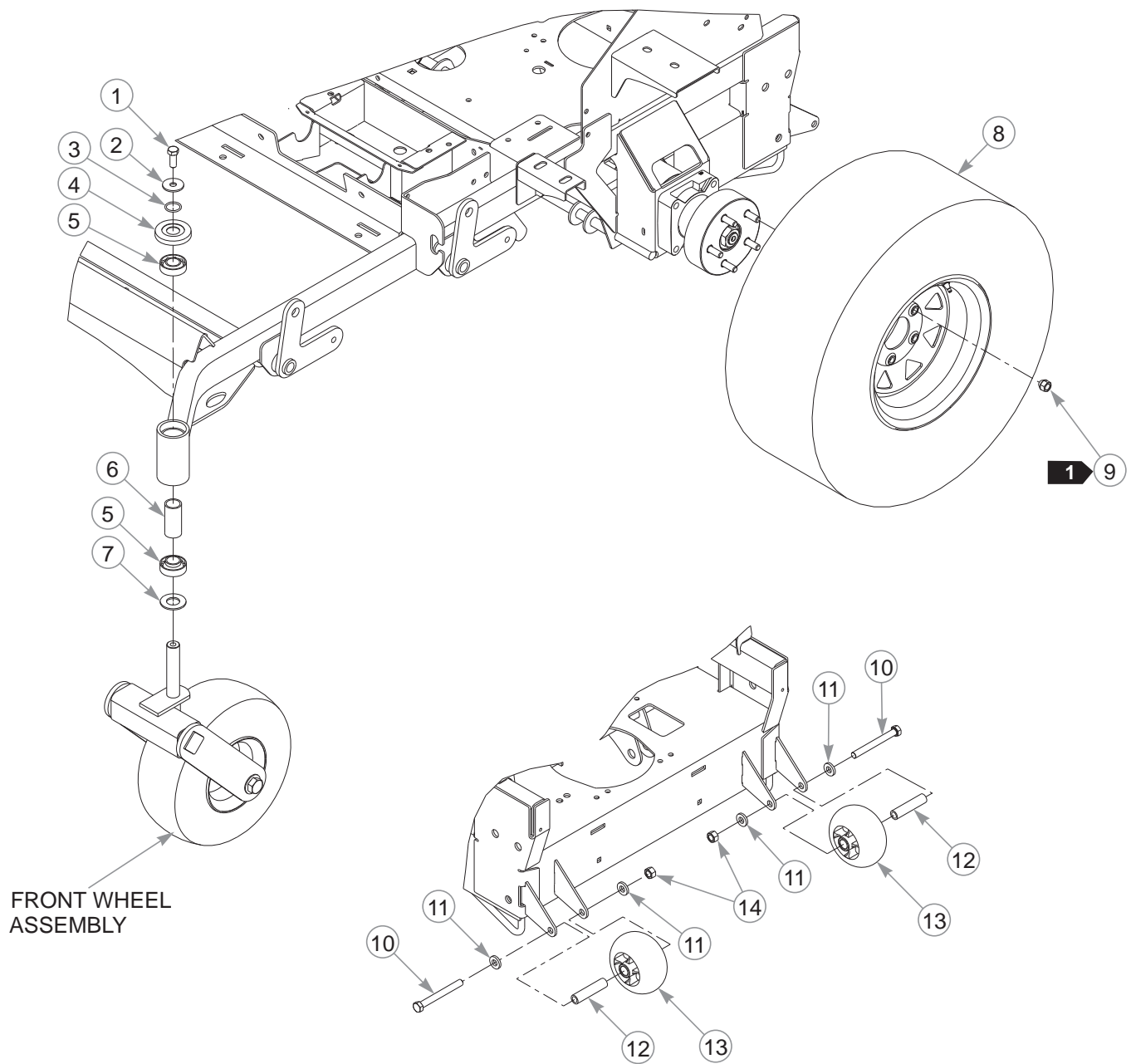
NOTES:

1. Included with the wheel motor.
2. Torque to 220–240 ft-lbs.
3. Torque to 27 ft-lbs.

Section 4

Wheel & Tire	4-2
Front Wheel Breakdown, Flex Forks®	4-4
Drive Wheel Breakdown	4-6

Wheel & Tire



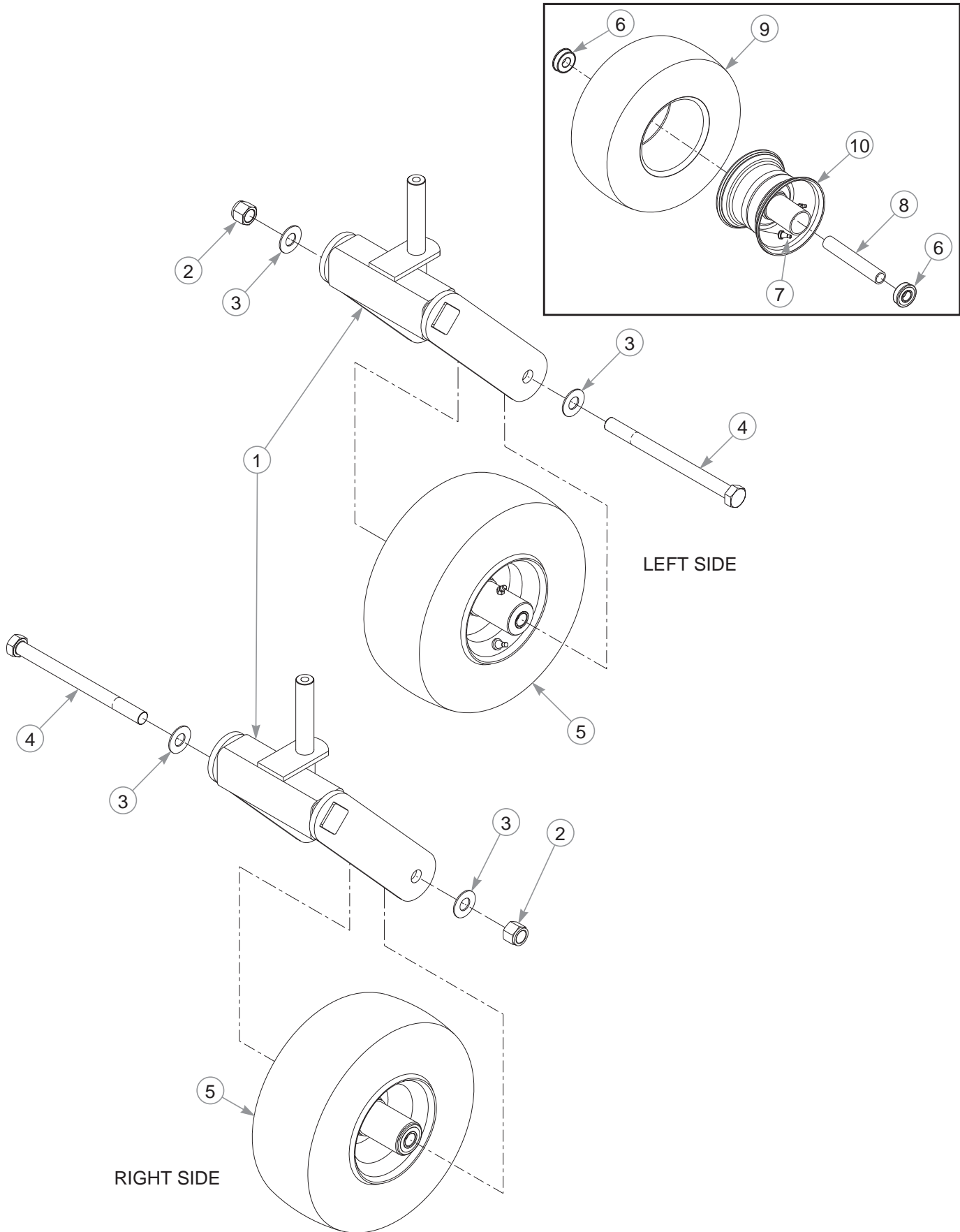
Wheel & Tire

INDEX NO.	PART NO.	QTY.	DESCRIPTION
1	705954	2	CS .500-13 X 1.25 HX G5
2	798603	2	FW .515 X 1.65 X .125 HD ZY
3	601375	2	O-RING, SAE-14
4	603153	2	DUST CAP
5	784223	4	BEARING
6	387035	2	SPACER 1.07 X 1.312 X 2.79
7	603164	2	DISC BEARING
8	604451	2	TIRE/WHEEL ASSEMBLY 26 X 12 X 12 (USED WITH 60" DECK)
	604455	2	TIRE/WHEEL ASSEMBLY 26 X 12-12 (USED WITH 66" & 72" DECKS)
9	061077	10	WHEEL NUT
10	068239	2	CS .500-13 X 4.50 HX G5
11	767962	4	FW .531 X 1.063 X .175
12	602345	2	SPACER 3.22
13	602263	2	PLASTIC WHEEL
14	008193	2	NT .500-13 HX G5 ZNYC

NOTES:

1. Torque to 65–75 ft-lbs.

Front Wheel Breakdown, Flex Forks®



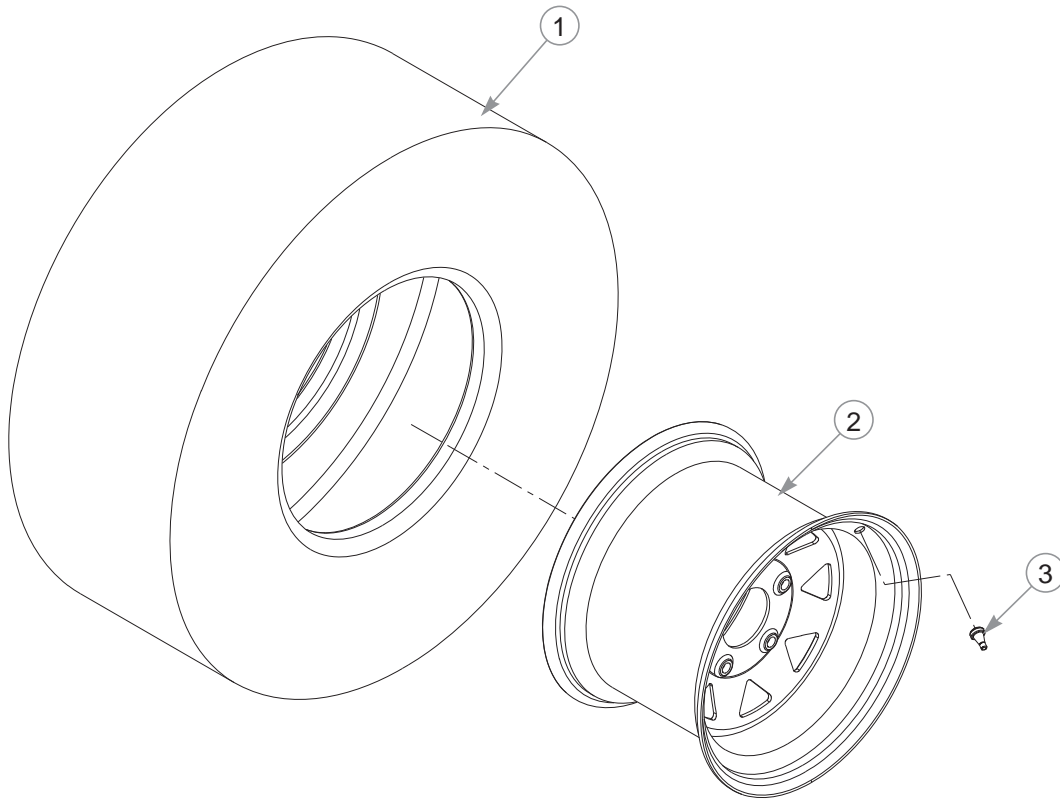
Front Wheel Breakdown, Flex Forks®

INDEX NO.	PART NO.	QTY.	DESCRIPTION
1	603167	1	FLEX FORKS KIT (CONTAINS TWO FORKS)
2	061101	2	NT .750-10 HX ZY NL
3	025296	4	FW .760 X 1.625 X .08 ZNYC
4	041475	2	CS .750-10 X 9.50 HX ZY
5	604898	2	TIRE/WHEEL ASSEMBLY 13 X 6.50
6	039677	2	WHEEL BEARING
7	019521	1	VALVE STEM
8	782771	1	BEARING SPACER
9	604843	1	TIRE, 13 X 6.50-6 SMOOTH
	747741	1	TIRE, 13 X 6.50-6 RIBBED
10	747832	1	WHEEL 6 X 4.50

NOTES:

1. The Flex Fork Kit contains two forks and is available for all models.

Drive Wheel Breakdown



604451 TIRE/WHEEL ASSEMBLY (60" DECKS)

INDEX NO.	PART NO.	QTY.	DESCRIPTION
1	603775	1	TIRE 26 X 12-12
2	796250	1	WHEEL 12 X 8.50
3	019521	1	VALVE STEM

604455 TIRE/WHEEL ASSEMBLY (66" & 72" DECKS)

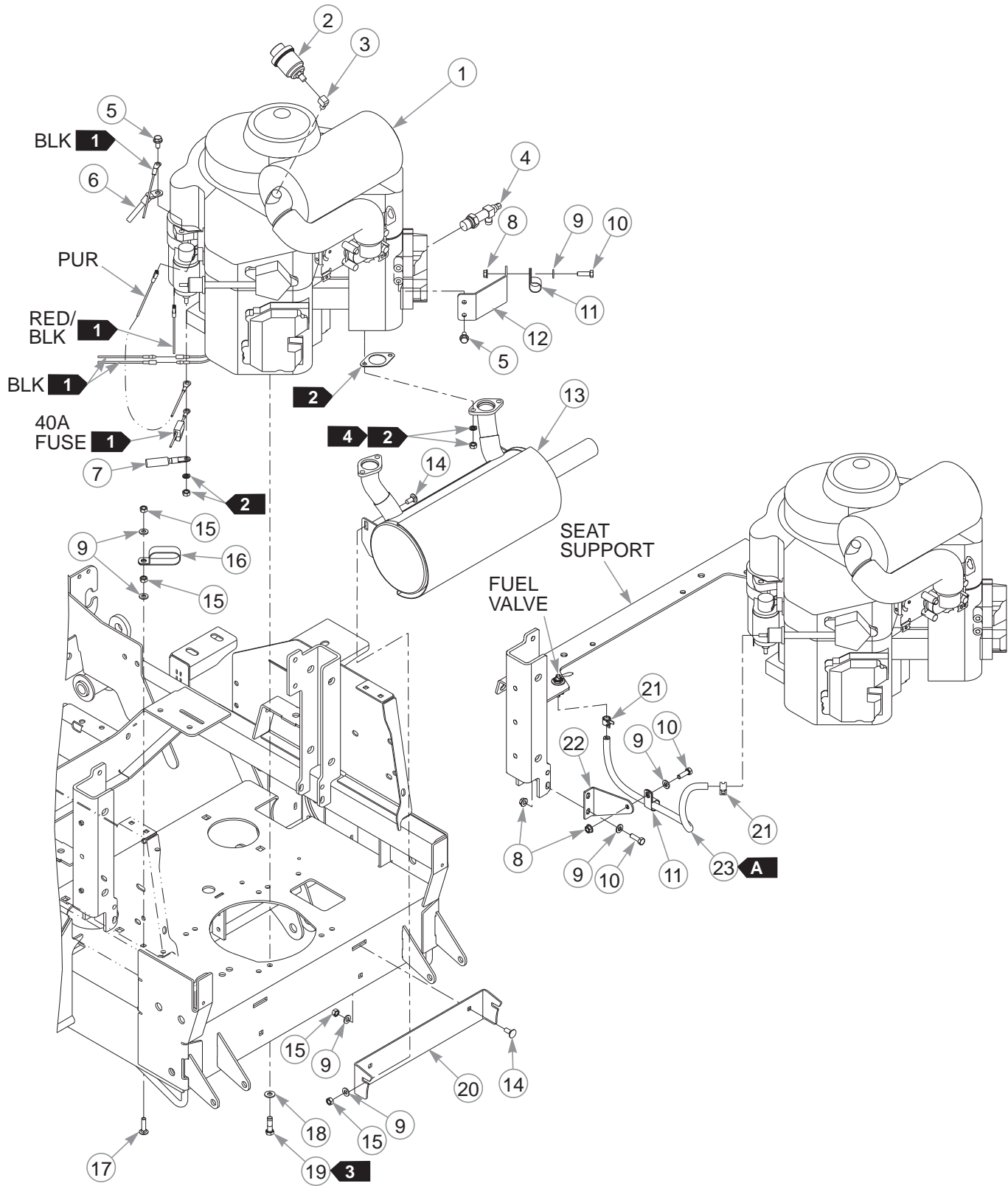
INDEX NO.	PART NO.	QTY	DESCRIPTION
1	603775	1	TIRE 26 X 12-12
2	784066	1	WHEEL 12 X 8.50
3	019521	1	VALVE STEM

NOTES:

Section 5

Engine, Kawasaki FX1000V	5-2
Engine Service Parts, Kawasaki FX1000V	5-4
Fuel System	5-6
Fuel Tank Service Parts	5-8

Engine, Kawasaki FX1000V



Engine, Kawasaki FX1000V

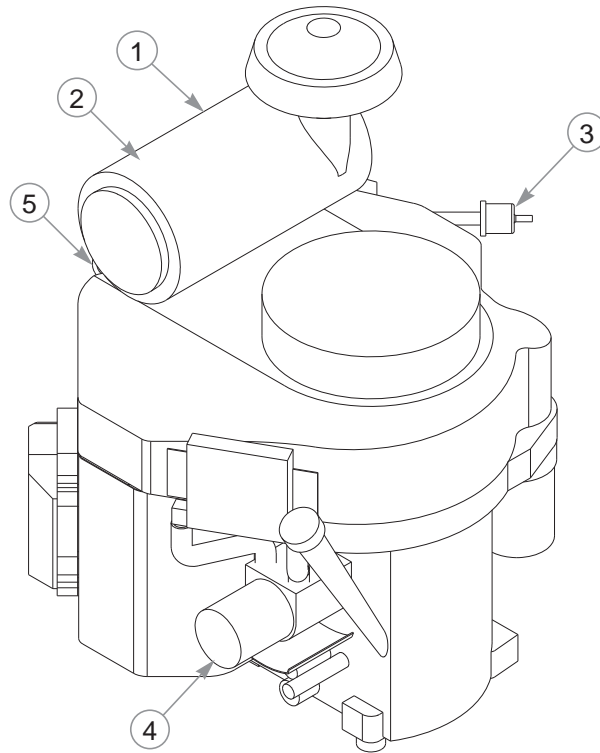
INDEX NO.	PART NO.	QTY.	DESCRIPTION
1	N/A	1	KAWASAKI FX1000V ENGINE
2	788943	1	AIR FILTER INDICATOR
3	601216	1	ELBOW STREET FITTING
4	796524	1	OIL DRAIN VALVE
5	720516	3	CS M8 X 1.25 X 16 HX FL 10.9
6	605155	1	NEGATIVE BATTERY CABLE
7	604029	1	POSITIVE BATTERY CABLE
8	016832	4	NT .312-18 HX FLK ZNYC
9	768523	10	FW .343 X .687 X .051/.080H
10	036236	4	CS .312-18 X 1.00 HX G5
11	043570	2	LOOP CLAMP
12	115819	1	CABLE MOUNT
13	603708	1	MUFFLER
14	016253	4	CB .312-18 X .75 FUL ZN
15	034272	6	NT .312-18 HX G5
16	045088	1	HOSE CLAMP
17	602827	1	CB .312-18 X 1.25 ZNYC
18	767954	4	FW .379 X .813 X .063
19	602580	4	CS .375-16 X 1.25 HX G8 P85
20	115889	1	MUFFLER MOUNT
21	000323	2	HOSE CLAMP
22	114578	1	BRACE
23	015818	14"	1/4" FUEL LINE
24	000331	2	WIRE TIE (NOT SHOWN)

NOTES:

FUEL LINE LENGTH		
A	14"	VALVE TO ENGINE

1. Part of the wire harness.
2. Supplied with the engine.
3. Torque to 30 ft-lbs. Replace (do not reuse) the cap screw if it is removed or loosened. Use only hand tools to install this fastener.
4. Torque to 22 ft-lbs.

Engine Service Parts, Kawasaki FX1000V

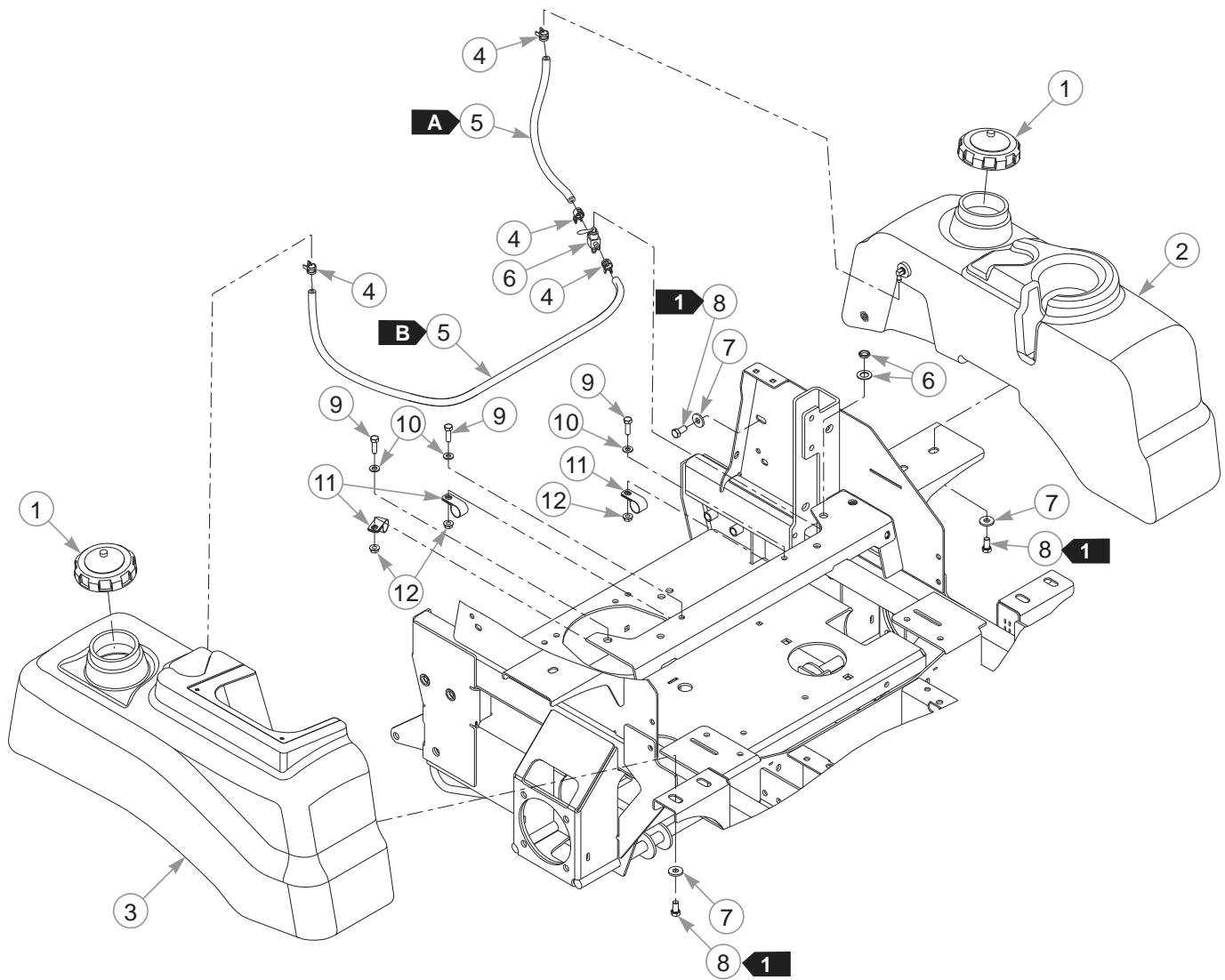


INDEX NO.	PART NO.	QTY.	DESCRIPTION
1	785261	1	MAIN AIR FILTER
2	785279	1	SAFETY AIR FILTER
3	068478	1	IN-LINE FUEL FILTER
4	603138	1	OIL FILTER
5	763318	1	VACUATOR VALVE

NOTES:

This page intentionally left blank.



Fuel System



Fuel System

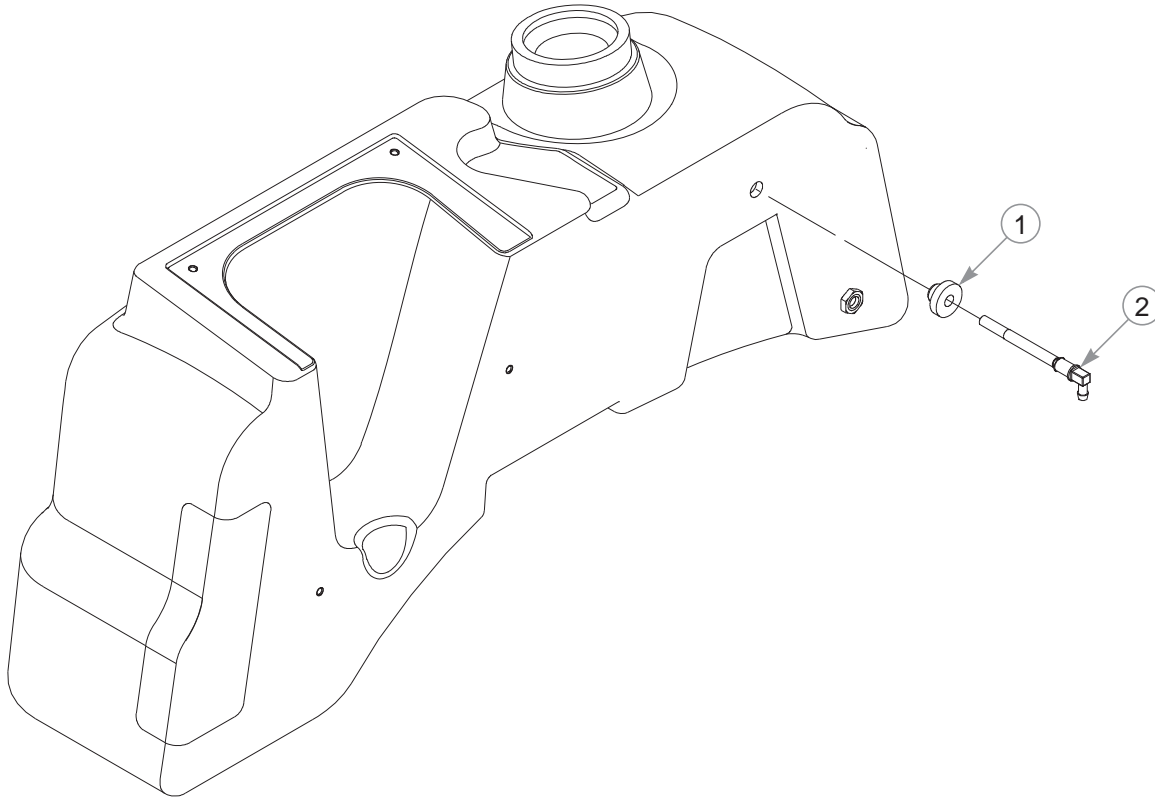
INDEX NO.	PART NO.	QTY.	DESCRIPTION
1	779306	2	FUEL CAP, 3.5"
2	603979	1	LS FENDER FUEL TANK ASSEMBLY
3	603978	1	RS FENDER FUEL TANK ASSEMBLY
4	000323	4	HOSE CLAMP
5	015818	49"	1/4" FUEL LINE
6	745059	1	FUEL VALVE 3-WAY
7	712919	10	FW .406 X 1.00 X .12 HRD Z
8	055822	10	CS .375-16 X .75 HX G5
9	036236	3	CS .312-18 X 1.00 HX G5
10	768523	3	FW .343 X .687 X .051/.080H
11	043570	3	LOOP CLAMP
12	016832	3	NT .312-18 HX FLK ZNYC

NOTES:

FUEL LINE LENGTHS		
A 	13"	LEFT TANK TO VALVE (FUEL)
B 	36"	RIGHT TANK TO VALVE (FUEL)

1. Torque to 20 ft-lbs.

Fuel Tank Service Parts



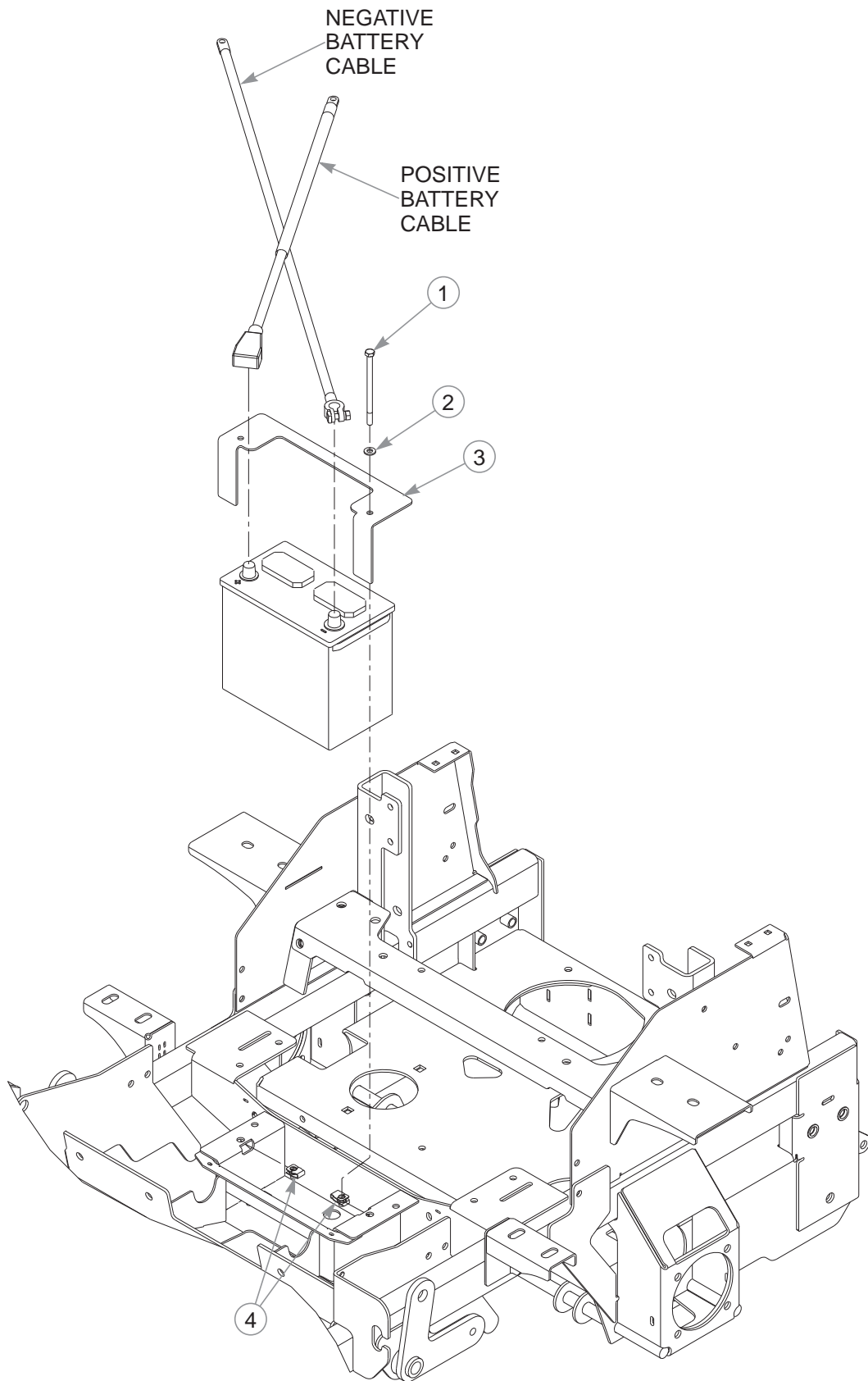
INDEX NO.	PART NO.	QTY.	DESCRIPTION
1	785295	1	SUCTION HOSE GROMMET
2	601530	1	SUCTION HOSE ASSY 33.5"

NOTES:

Section 6

Battery	6-2
Instrument Panel	6-4

Battery

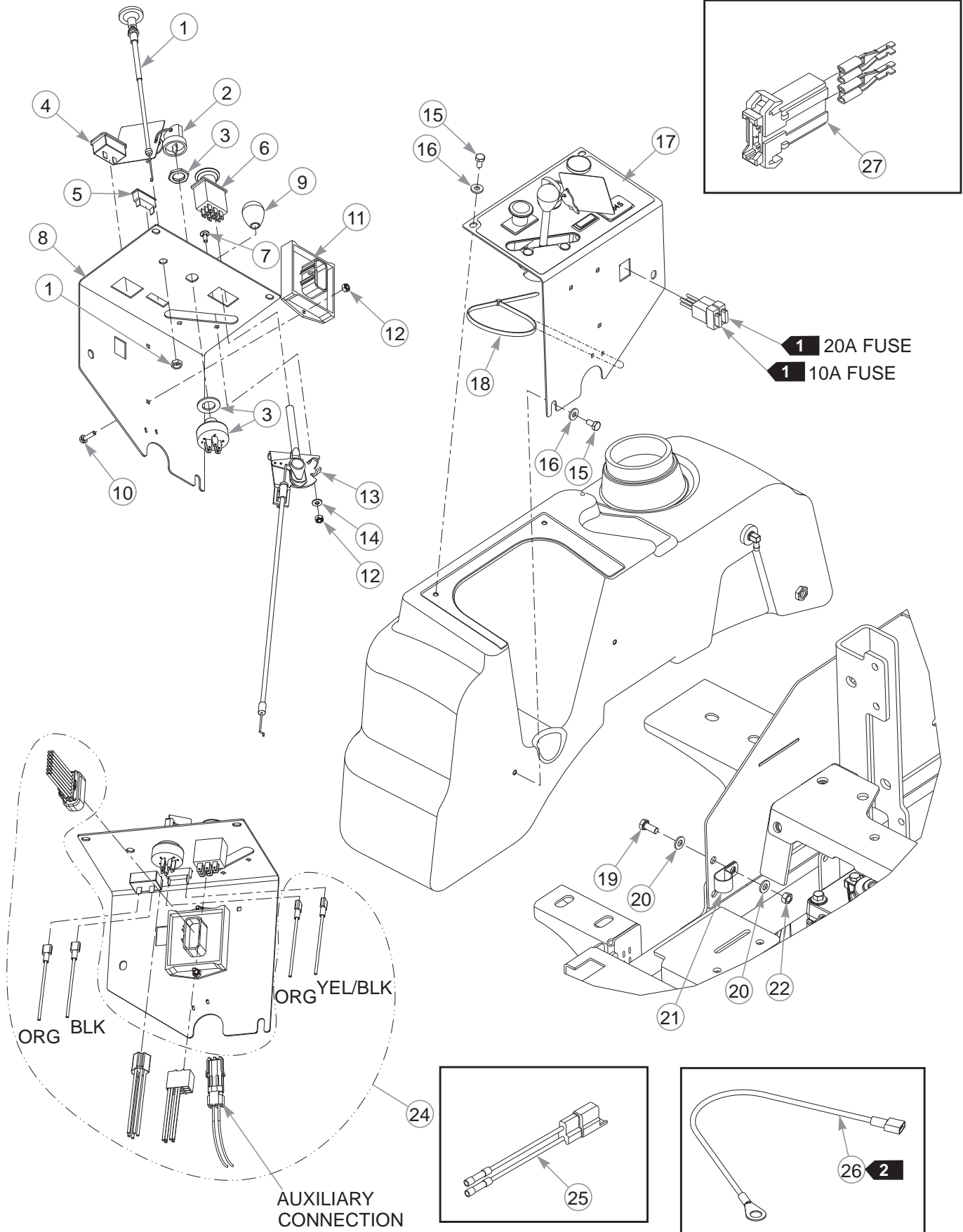


Battery

INDEX NO.	PART NO.	QTY.	DESCRIPTION
1	050823	2	CS .312-18 X 5.00 HX G5
2	768523	2	FW .343 X .687 X .051/.080H
3	113676	1	BATTERY STRAP
4	601069	2	CN .312-18 X .20 MAX THK

NOTES:

Instrument Panel



Instrument Panel

INDEX NO.	PART NO.	QTY.	DESCRIPTION
1	603087	1	CHOKE CABLE
2	785808	1	KEY ASSEMBLY
3	045898	1	IGNITION SWITCH
4	769166	1	HOUR METER
5	712257	1	RED INDICATOR LIGHT
6	776476	1	PTO SWITCH
7	601098	2	CB 10-24 X .500 ZYNC
8	550856	1	INSTRUMENT PANEL (WITH DECAL)
9	603523	1	KNOB
10	063198	2	CS 10-24 X .75 HX FLK ZN
11	604373	1	RELAY CONTROL MODULE
12	059832	4	NT #10-24 HX NL ZN
13	603409	1	THROTTLE CABLE
14	704932	2	FW .219 X .500 X .048
15	055947	4	CS .250-20 X .50 HX G5
16	768515	4	FW .281 X .625 X .066
17	603056	1	INSTRUMENT PANEL DECAL
18	000430	1	WIRE TIE
19	034280	1	CS .312-18 X .75 HX G5
20	768523	2	FW .343 X .687 X .051/.080H
21	043570	1	LOOP CLAMP
22	034272	1	NT .312-18 HX G5
23	000331	4	WIRE TIE (NOT SHOWN)
24	603810	1	WIRE HARNESS
25	114052	1	CLUTCH CONNECTOR REPAIR KIT
26	604430	1	SOLENOID JUMPER
27	601047	1	FUSE HOLDER

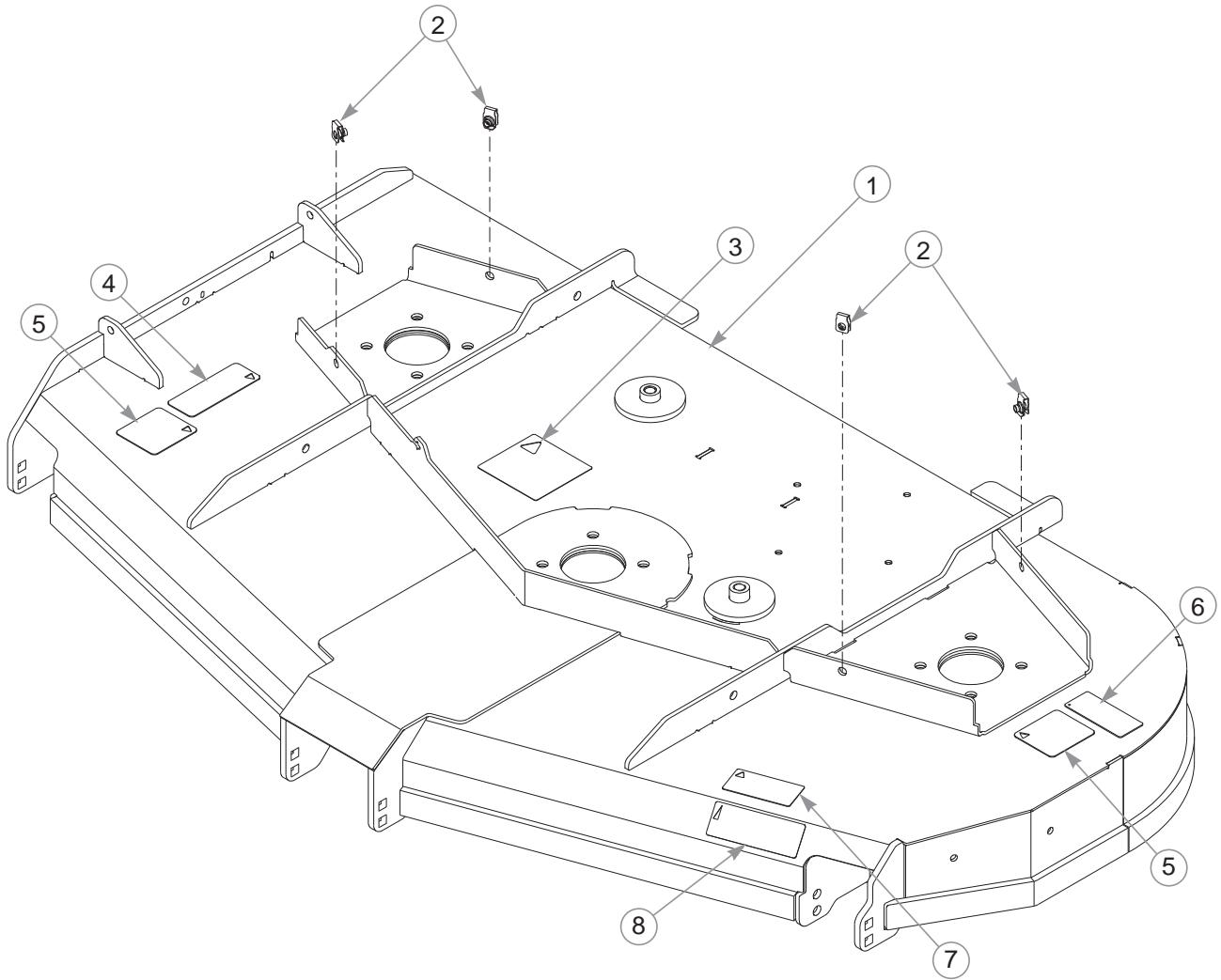
NOTES:

1. Part of the wire harness.
2. Must order separately, as it is no longer part of the wire harness.

Section 7

60" Side Discharge Service Deck	7-2
60" Side Discharge Deck Pulleys & Spindles	7-4
60" Side Discharge Deck	7-6
66" Side Discharge Service Deck	7-8
66" Side Discharge Deck Pulleys & Spindles	7-9
66" Side Discharge Deck	7-12
72" Side Discharge Service Deck	7-14
72" Side Discharge Deck Pulleys & Spindles	7-16
72" Side Discharge Deck	7-18
Side Discharge Deck Lift	7-20
Side Discharge Deck Mounting Hardware	7-22
60" Rear Discharge Service Deck	7-24
60" Rear Discharge Deck Pulleys & Spindles	7-26
60" Rear Discharge Dust Shield	7-30
60" Rear Discharge Deck	7-32
Rear Discharge Deck Lift	7-36
Rear Discharge Deck Mounting Hardware	7-38

60" Side Discharge Service Deck

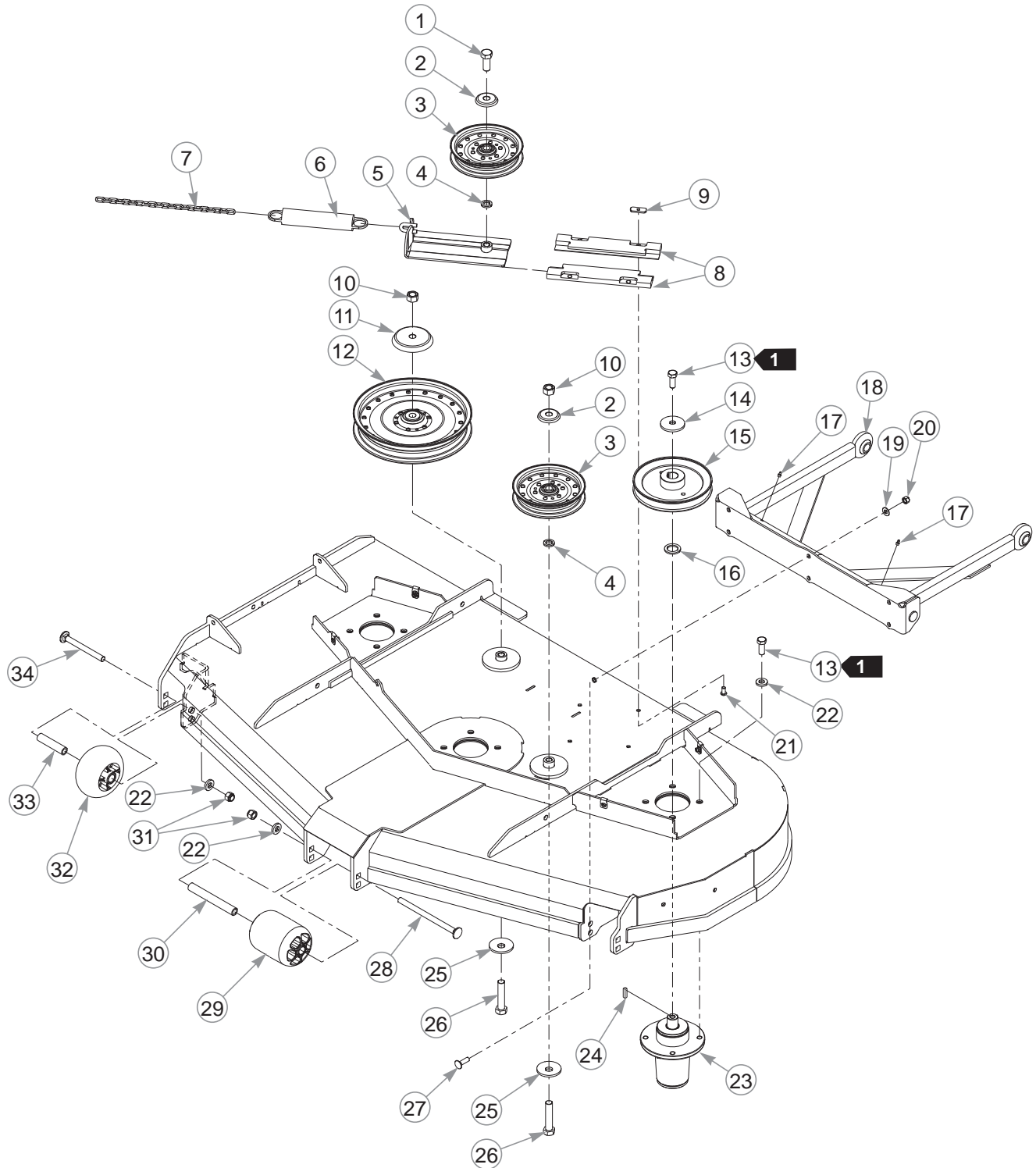


60" Side Discharge Service Deck

INDEX NO.	PART NO.	QTY.	DESCRIPTION
1	550739	1	60" VX4 DECK (WITH DECALS & HARDWARE)
2	601069	4	CN .312-18 X .20 MAX THK
3	781419	1	BELT ROUTING DECAL
4	601624	1	DISCHARGE CHUTE DECAL
5	601837	2	DECK DANGERS DECAL
6	601892	1	THROWN OBJECTS DECAL
7	786277	1	60" SD DECK ID DECAL
8	603092	1	VX4 TECHNOLOGY DECAL

NOTES:

60" Side Discharge Deck Pulleys & Spindles



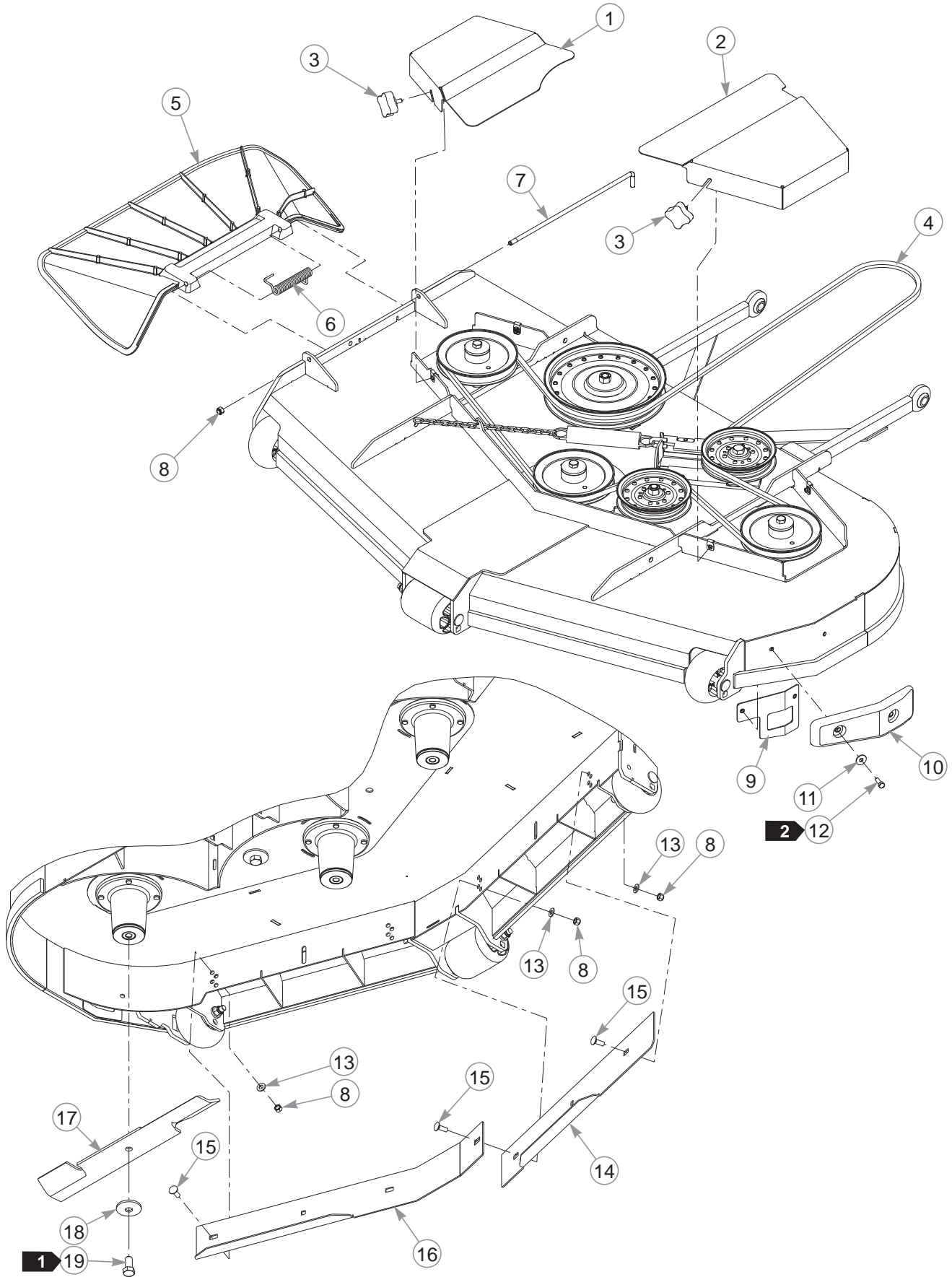
60" Side Discharge Deck Pulleys & Spindles

INDEX NO.	PART NO.	QTY.	DESCRIPTION
1	794446	1	CS .625-11 X 1.50 HX G5
2	602935	2	IDLER DUST SHIELD SM
3	602821	2	IDLER 6.0" RIVETED
4	028118	2	FW .625 X 1.00 X .134
5	350884	1	DECK IDLER SLIDE
6	781302	1	TENSION SPRING
7	373191	1	CHAIN, 21 LINK
8	602936	2	UHMW IDLER SLIDE
9	603023	4	WN .312-18 ZN
10	016972	2	NT .625-11 HX G5 ZNYC
11	602963	1	IDLER DUST SHIELD LG
12	602743	1	IDLER 10.0" RIVETED
13	705954	15	CS .500-13 X 1.25 HX G5
14	752386	3	CW .515 X 2.25 X .204 BLK
15	602745	3	PULLEY DRIVE 7.00 EFF
16	045765	3	FW 1.030 X 1.50 X .134
17	015495	2	GREASE FITTING STRAIGHT
18	113340	1	PUSHER
19	767954	6	FW .379 X .813 X .063
20	086660	6	NT .375-16 HX G5 ZY NL
21	603022	4	CS .312-18 X .625 BH ZN
22	767962	15	FW .531 X 1.063 X .175
23	604255	3	BLADE SPINDLE CW
24	212472	3	KEY 1/4 SQ X 1.00
25	782474	2	CW .631 X 2.25 X .187 PNT
26	783738	2	CS .625-11 X 3.00 FULL HX G5
27	603113	6	CB .375-16 X 1.25 G5 ZN
28	602338	1	CB .500-13 X 7.50 STD ZN
29	602341	1	PLASTIC WHEEL
30	602344	1	SPACER 5.73
31	781567	3	NT .500-13 HX G8 ZY NL
32	602263	2	PLASTIC WHEEL
33	602345	2	SPACER 3.22
34	603049	2	CB .500-13 X 5.00 ZNYC

NOTES:

1. Torque to 67–75 ft-lbs.

60" Side Discharge Deck



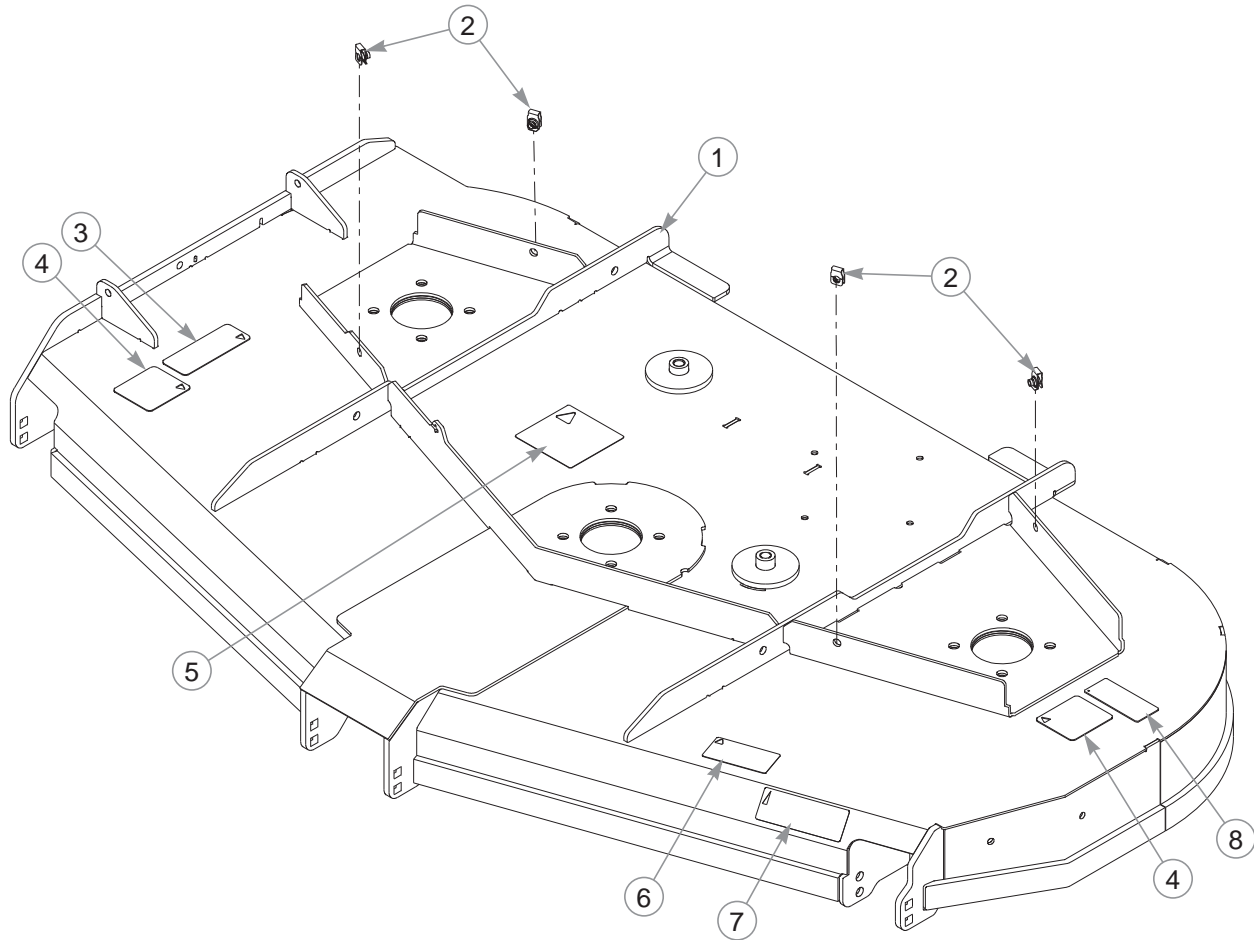
60" Side Discharge Deck

INDEX NO.	PART NO.	QTY.	DESCRIPTION
1	112933	1	RS PULLEY COVER
2	112934	1	LS PULLEY COVER
3	792002	4	KNOB 5/16-18 X 3/4"
4	604494	1	BELT, B-SEC 172" EL
5	602891	1	DISCHARGE CHUTE LG
6	602435	1	TORSION SPRING
7	602432	1	CHUTE PIN
8	086660	7	NT .375-16 HX G5 ZY NL
9	113563	1	BACKING PLATE
10	602817	1	RUBBER BUMPER
11	079210	2	FW .344 X 1.00 X .06 ZNYC
12	064014	2	CS .312-18 X .875 HX G5
13	767954	6	FW .379 X .813 X .063
14	113180	1	RS INNER WALL ADJ.
15	025395	6	CB .375-16 X 1.00 G5 ZNY
16	113179	1	LS INNER WALL ADJ.
17	602771	3	BLADE, F20.50" EHN-F-CW
	793794	3	BLADE, 20.50"-L-F-CW
	794214	3	BLADE, 20.50"-MUL-F-CW
	794230	3	BLADE, 20.50"-GAT-F-CW
	794685	3	BLADE, F20.50"-H-F-CW
18	782474	3	CW .631 X 2.25 X .187 PNT
19	781872	3	CS .625-11 X 1.25 HX G5 Z

NOTES:

1. Torque to 118 ft-lbs.
2. Torque to 10 ft-lbs.

66" Side Discharge Service Deck

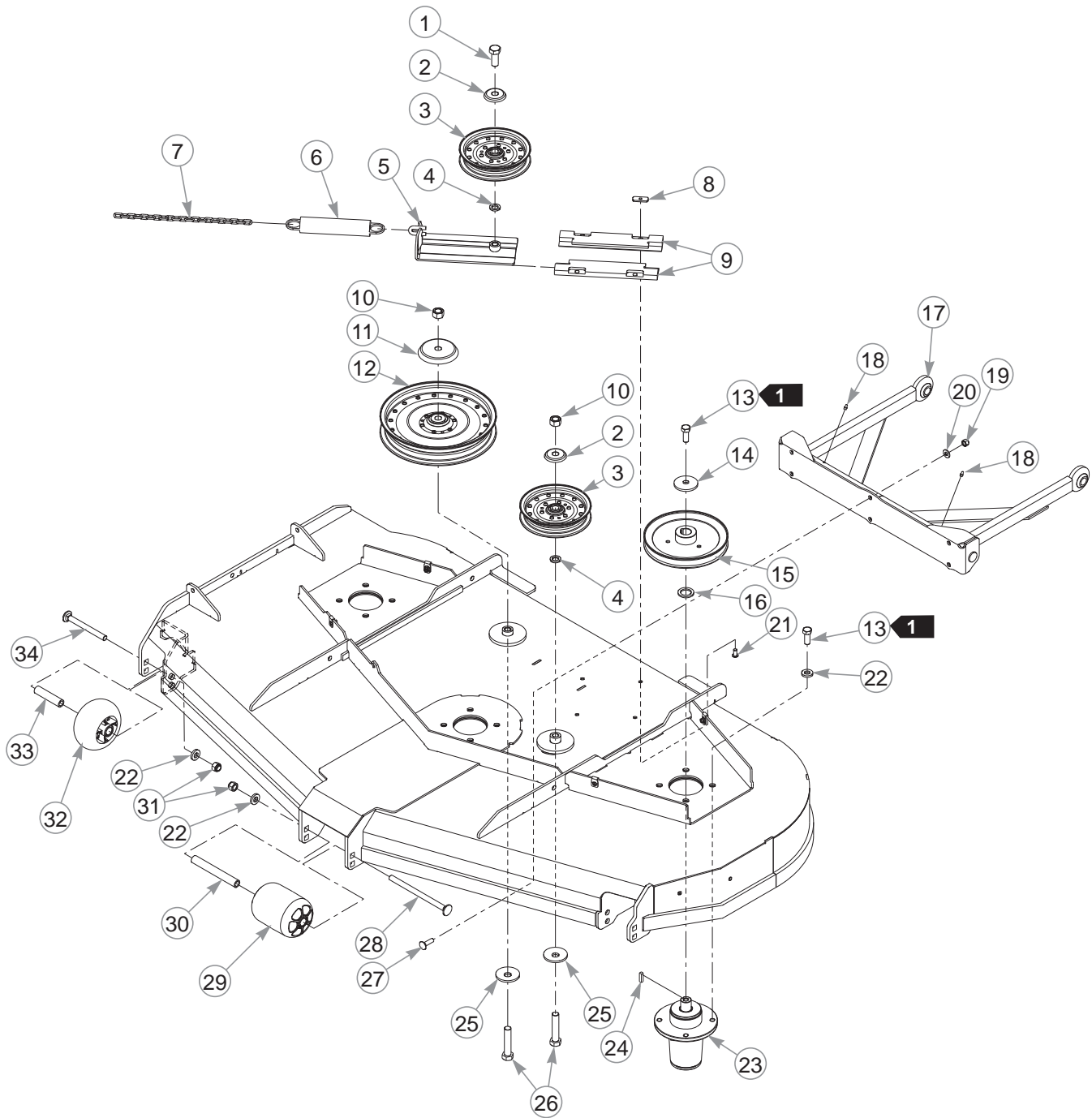


66" Side Discharge Service Deck

INDEX NO.	PART NO.	QTY.	DESCRIPTION
1	550750	1	66" VX4 DECK (WITH DECALS & HARDWARE)
2	601069	4	CN .312-18 X .20 MAX THK
3	601624	1	DISCHARGE CHUTE DECAL
4	601837	2	DECK DANGERS DECAL
5	781419	1	BELT ROUTING DECAL
6	799189	1	66" DECK ID DECAL
7	603092	1	VX4 TECHNOLOGY DECAL
8	601892	1	THROWN OBJECTS DECAL

NOTES:

66" Side Discharge Deck Pulleys & Spindles



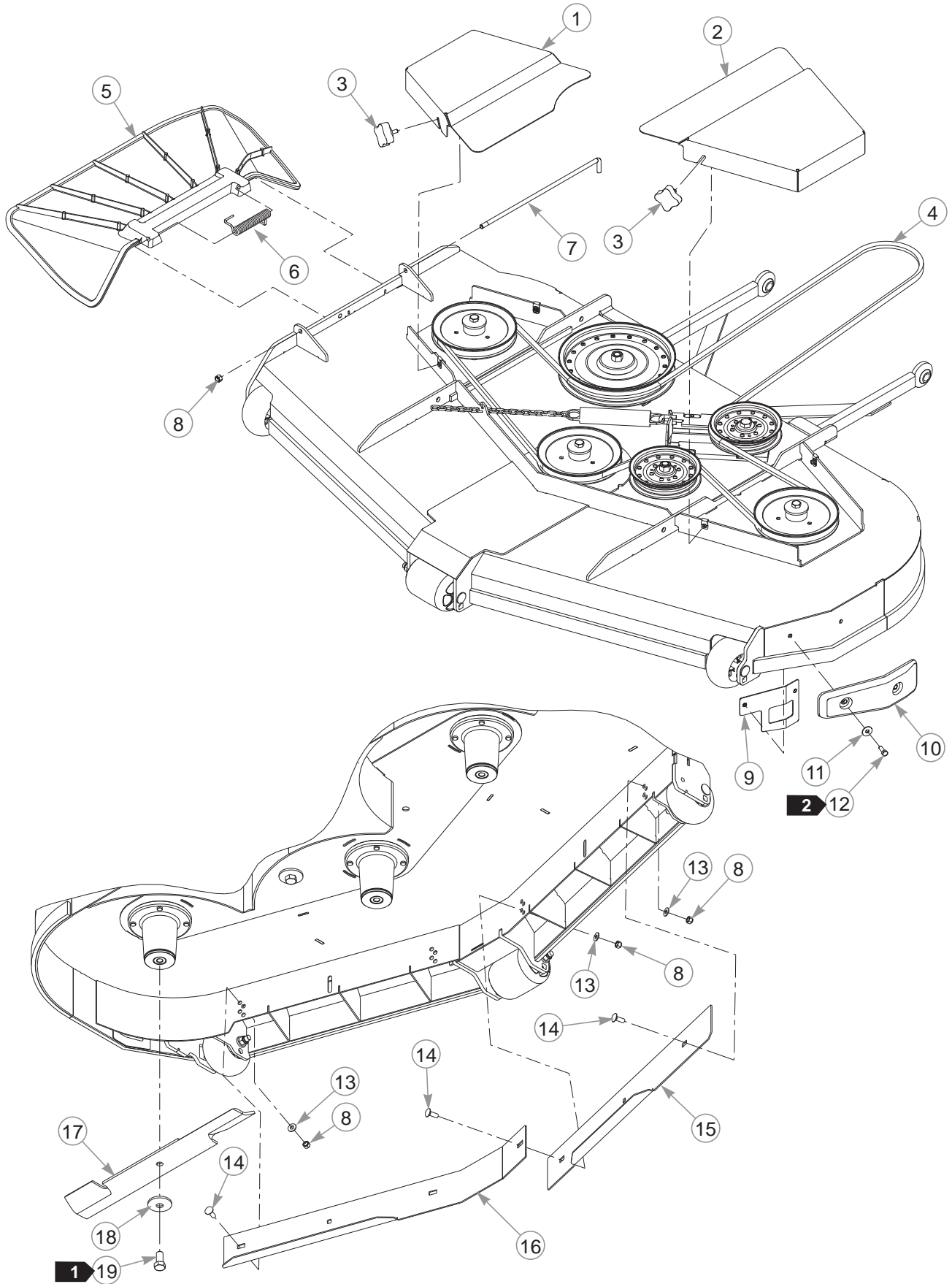
66" Side Discharge Deck Pulleys & Spindles

INDEX NO.	PART NO.	QTY.	DESCRIPTION
1	794446	1	CS .625-11 X 1.50 HX G5
2	602935	2	IDLER DUST SHIELD SM
3	602821	2	IDLER 6.0" RIVETED
4	028118	2	FW .625 X 1.00 X .134
5	350884	1	DECK IDLER SLIDE
6	781302	1	TENSION SPRING
7	373191	1	CHAIN, 21 LINK
8	603023	4	WN .312-18 ZN
9	602936	2	UHMW IDLER SLIDE
10	016972	2	NT .625-11 HX G5 ZNYC
11	602963	1	IDLER DUST SHIELD LG
12	602743	1	IDLER 10.0" RIVETED
13	705954	15	CS .500-13 X 1.25 HX G5
14	752386	3	CW .515 X 2.25 X .204 BLK
15	602859	3	DRIVE PULLEY 7.85 EFF
16	045765	3	FW 1.030 X 1.50 X .134
17	113340	1	PUSHER
18	015495	2	GREASE FITTING STRAIGHT
19	086660	6	NT .375-16 HX G5 ZY NL
20	767954	6	FW .379 X .813 X .063
21	603022	4	CS .312-18 X .625 BH ZN
22	767962	15	FW .531 X 1.063 X .175
23	604255	3	BLADE SPINDLE CW
24	212472	3	KEY 1/4 SQ X 1.00
25	782474	2	CW .631 X 2.25 X .187 PNT
26	783738	2	CS .625-11 X 3.00 FULL HX G5
27	603113	6	CB .375-16 X 1.25 G5 ZN
28	602338	1	CB .500-13 X 7.50 STD ZN
29	602341	1	PLASTIC WHEEL
30	602344	1	SPACER 5.73
31	781567	3	NT .500-13 HX G8 ZY NL
32	602263	2	PLASTIC WHEEL
33	602345	2	SPACER 3.22
34	603049	2	CB .500-13 X 5.00 ZNYC

NOTES:

1. Torque to 67–75 ft-lbs.

66" Side Discharge Deck



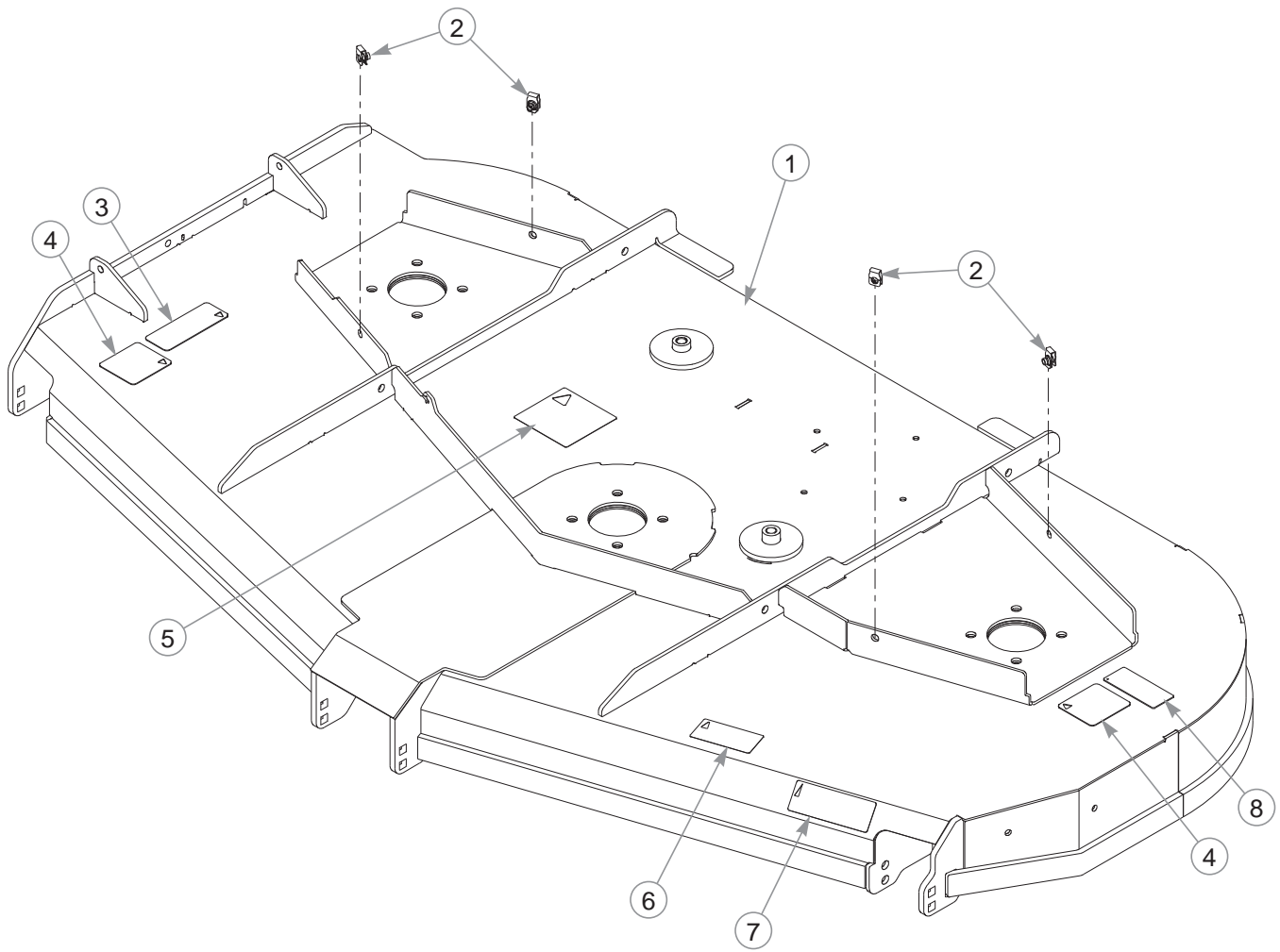
66" Side Discharge Deck

INDEX NO.	PART NO.	QTY.	DESCRIPTION
1	113335	1	RS PULLEY COVER
2	113336	1	LS PULLEY COVER
3	792002	4	KNOB 5/16-18 X 3/4"
4	602854	1	BELT, B-SEC
5	602891	1	DISCHARGE CHUTE LG
6	602435	1	TORSION SPRING
7	602432	1	CHUTE PIN
8	086660	7	NT .375-16 HX G5 ZY NL
9	113563	1	BACKING PLATE
10	602817	1	RUBBER BUMPER
11	079210	2	FW .344 X 1.00 X .06 ZNYC
12	064014	2	CS .312-18 X .875 HX G5 ZN
13	767954	6	FW .379 X .813 X .063
14	025395	6	CB .375-16 X 1.00 G5 ZNY
15	113333	1	RS INNER WALL ADJ.
16	113334	1	LS INNER WALL ADJ.
17	602864	3	BLADE, F22.50" EHN-F-CW
	798496	3	BLADE, F22.50" -H-F-CW
	798512	3	BLADE, 22.50" -GAT-F-CW
	798504	3	BLADE, 22.50" -MUL-F-CW
18	782474	3	CW .631 X 2.25 X .187 PNT
19	781872	3	CS .625-11 X 1.25 HX G5 Z

NOTES:

1. Torque to 118 ft-lbs.
2. Torque to 10 ft-lbs.

72" Side Discharge Service Deck

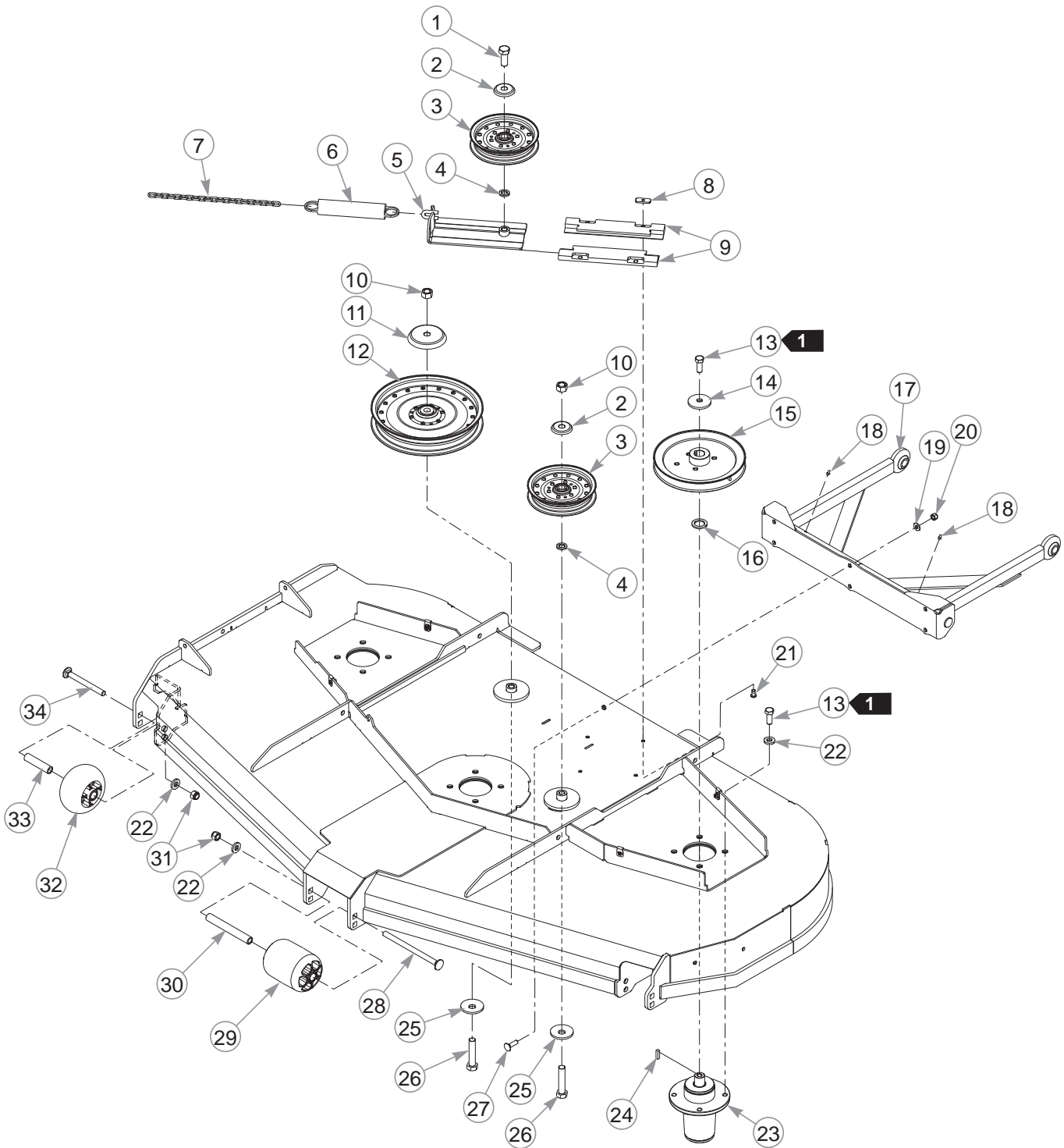


72" Side Discharge Service Deck

INDEX NO.	PART NO.	QTY.	DESCRIPTION
1	550751	1	72" VX4 DECK (WITH DECALS & HARDWARE)
2	601069	4	CN .312-18 X .20 MAX THK
3	601624	1	DISCHARGE CHUTE DECAL
4	601837	2	DECK DANGERS DECAL
5	781419	1	BELT ROUTING DECAL
6	786285	1	72" DECK ID DECAL
7	603092	1	VX4 TECHNOLOGY DECAL
8	601892	1	THROWN OBJECTS DECAL

NOTES:

72" Side Discharge Deck Pulleys & Spindles



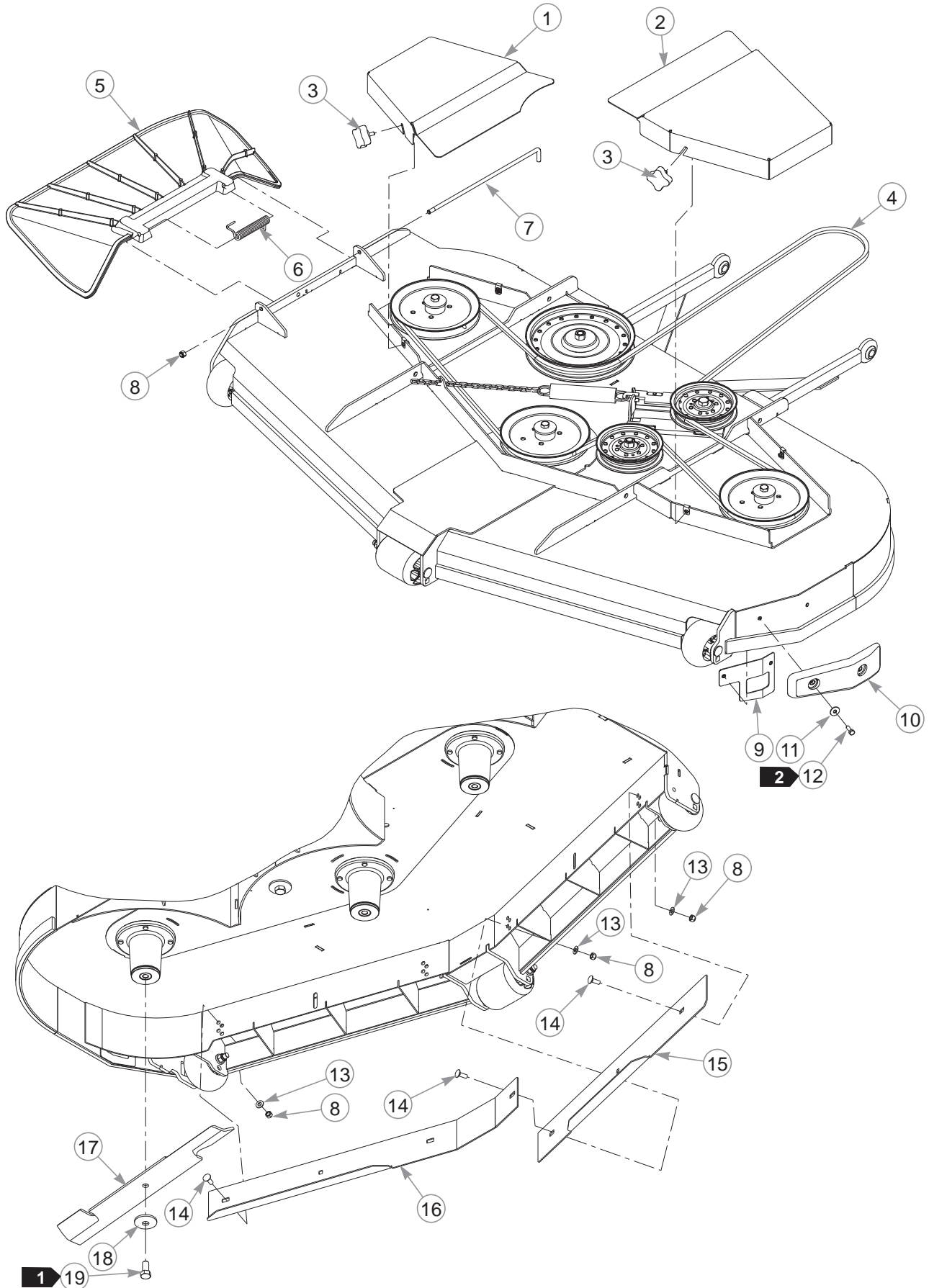
72" Side Discharge Deck Pulleys & Spindles

INDEX NO.	PART NO.	QTY.	DESCRIPTION
1	794446	1	CS .625-11 X 1.50 HX G5
2	602935	2	IDLER DUST SHIELD SM
3	602821	2	IDLER 6.0" RIVETED
4	028118	2	FW .625 X 1.00 X .134
5	350884	1	DECK IDLER SLIDE
6	781302	1	TENSION SPRING
7	373191	1	CHAIN, 21 LINK
8	603023	4	WN .312-18 ZN
9	602936	2	UHMW IDLER SLIDE
10	016972	2	NT .625-11 HX G5 ZNYC
11	602963	1	IDLER DUST SHIELD LG
12	602743	1	IDLER 10.0" RIVETED
13	705954	15	CS .500-13 X 1.25 HX G5
14	752386	3	CW .515 X 2.25 X .204 BLK
15	602746	3	DRIVE PULLEY 8.652 OP
16	045765	3	FW 1.030 X 1.50 X .134
17	113340	1	PUSHER
18	015495	2	GREASE FITTING STRAIGHT
19	767954	6	FW .379 X .813 X .063
20	086660	6	NT .375-16 HX G5 ZY NL
21	603022	4	CS .312-18 X .625 BH ZN
22	767962	15	FW .531 X 1.063 X .175
23	604255	3	BLADE SPINDLE CW
24	212472	3	KEY 1/4 SQ X 1.00
25	782474	2	CW .631 X 2.25 X .187 PNT
26	783738	2	CS .625-11 X 3.00 FULL HX G5
27	603113	6	CB .375-16 X 1.25 G5 ZN
28	602338	1	CB .500-13 X 7.50 STD ZN
29	602341	1	PLASTIC WHEEL
30	602344	1	SPACER 5.73
31	781567	3	NT .500-13 HX G8 ZY NL
32	602263	2	PLASTIC WHEEL
33	602345	2	SPACER 3.22
34	603049	2	CB .500-13 X 5.00 ZNYC

NOTES:

1. Torque to 67–75 ft-lbs.

72" Side Discharge Deck



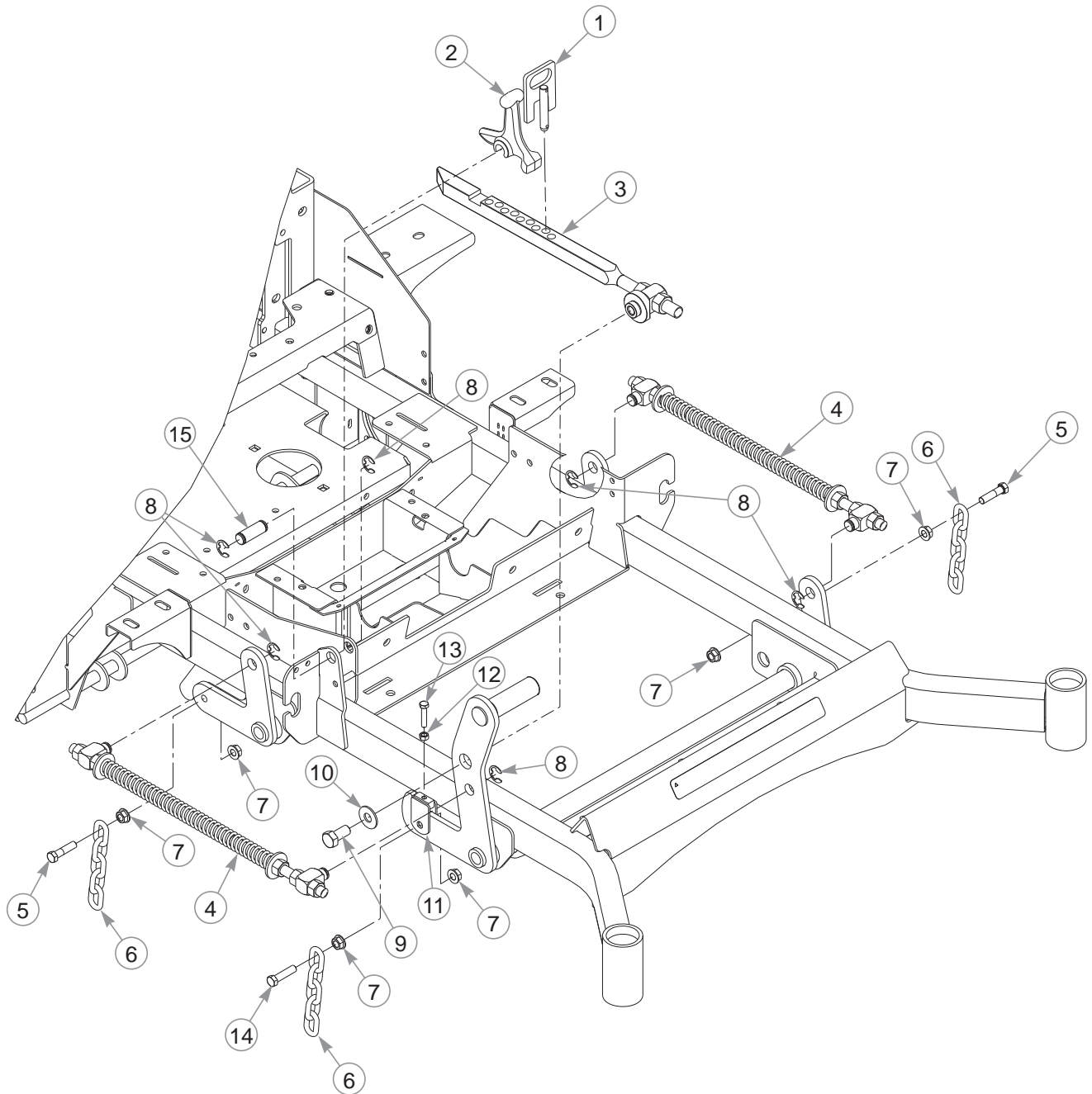
72" Side Discharge Deck

INDEX NO.	PART NO.	QTY.	DESCRIPTION
1	112935	1	RS PULLEY COVER
2	112936	1	LS PULLEY COVER
3	792002	4	KNOB 5/16-18 X 3/4"
4	784207	1	BELT, B 195" EL
5	602891	1	DISCHARGE CHUTE LG
6	602435	1	TORSION SPRING
7	602432	1	CHUTE PIN
8	086660	7	NT .375-16 HX G5 ZY NL
9	113563	1	BACKING PLATE
10	602817	1	RUBBER BUMPER
11	079210	2	FW .344 X 1.00 X .06 ZNYC
12	064014	2	CS .312-18 X .875 HX G5
13	767954	6	FW .379 X .813 X .063
14	025395	6	CB .375-16 X 1.00 G5 ZNY
15	112931	1	RS INNER WALL ADJ.
16	112932	1	LS INNER WALL ADJ.
17	602857	3	BLADE, F24.50" EHN-F-CW
	798702	3	BLADE, F24.50"-H-F-CW
	798710	3	BLADE, 24.50"-MUL-F-CW
	798728	3	BLADE, 24.50"-GAT-F-CW
18	782474	3	CW .631 X 2.25 X .187 PNT
19	781872	3	CS .625-11 X 1.25 HX G5 Z

NOTES:

1. Torque to 118 ft-lbs.
2. Torque to 10 ft-lbs.

Side Discharge Deck Lift

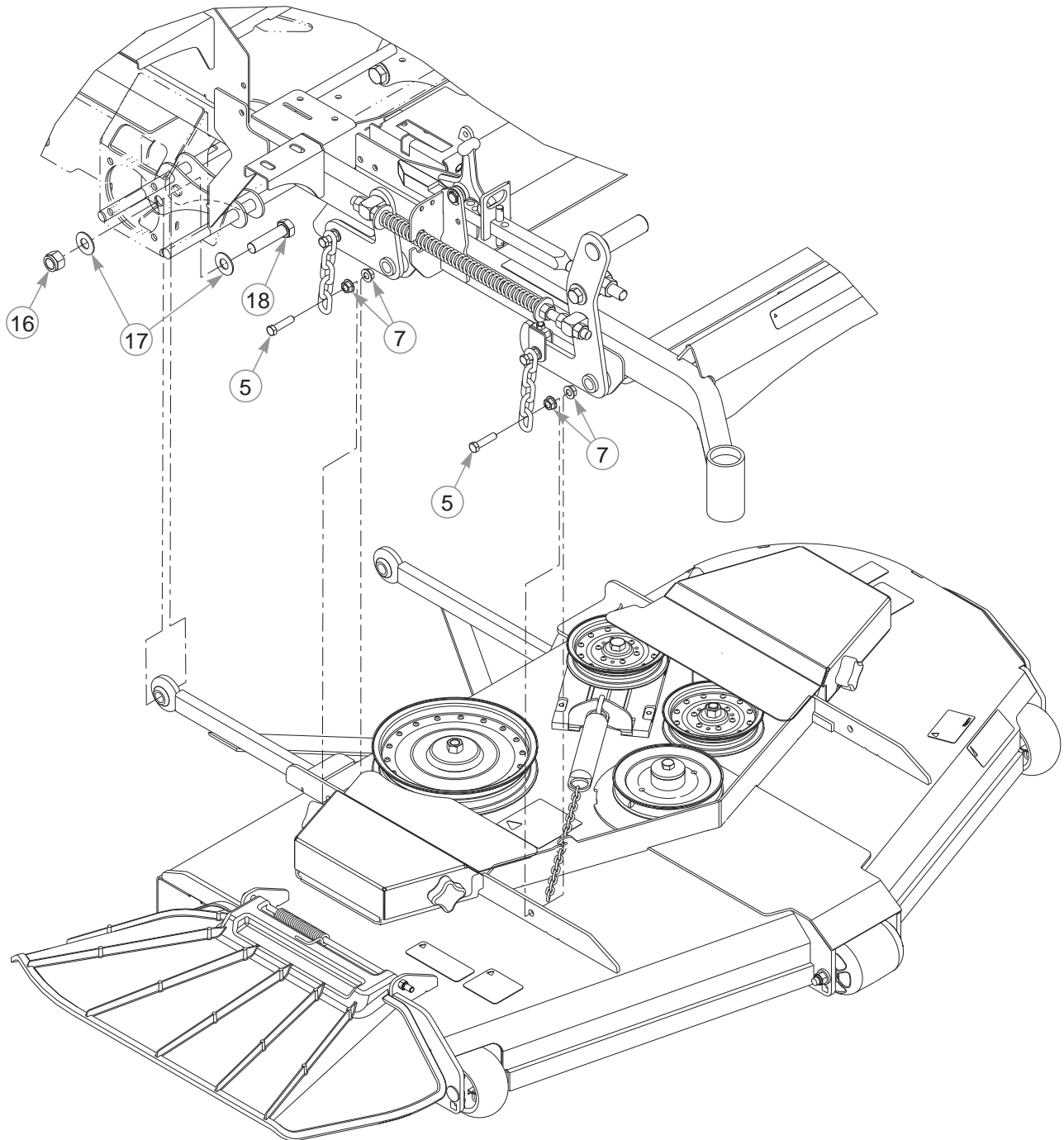


Side Discharge Deck Lift

INDEX NO.	PART NO.	QTY.	DESCRIPTION
1	600437	1	DECK HEIGHT PIN
2	348318	1	STOP HANDLE
3	602898	1	DECK LIFT INDICATOR
4	603184	2	DECK LIFT SPRING
5	055749	7	CS .437-14 X 1.75 HX G5
6	348391	4	DECK LIFT CHAIN
7	704643	16	NT .437-14 HX FLG ZN
8	781294	6	E CLIP 1.00 X .625 X .05
9	781872	1	CS .625-11 X 1.25 HX G5 Z
10	704783	1	FW .625 X 1.50 X .105 ZN
11	348458	1	DECK LEVELER YOKE
12	034272	1	NT .312-18 HX G5
13	756270	1	CS .312-18 X 1.50 HX G5
14	781831	1	CS .437-14 X 1.75 HX G5
15	781229	1	CE .750 X 2.25 X 1.75 HEAD

NOTES:

Side Discharge Deck Mounting Hardware

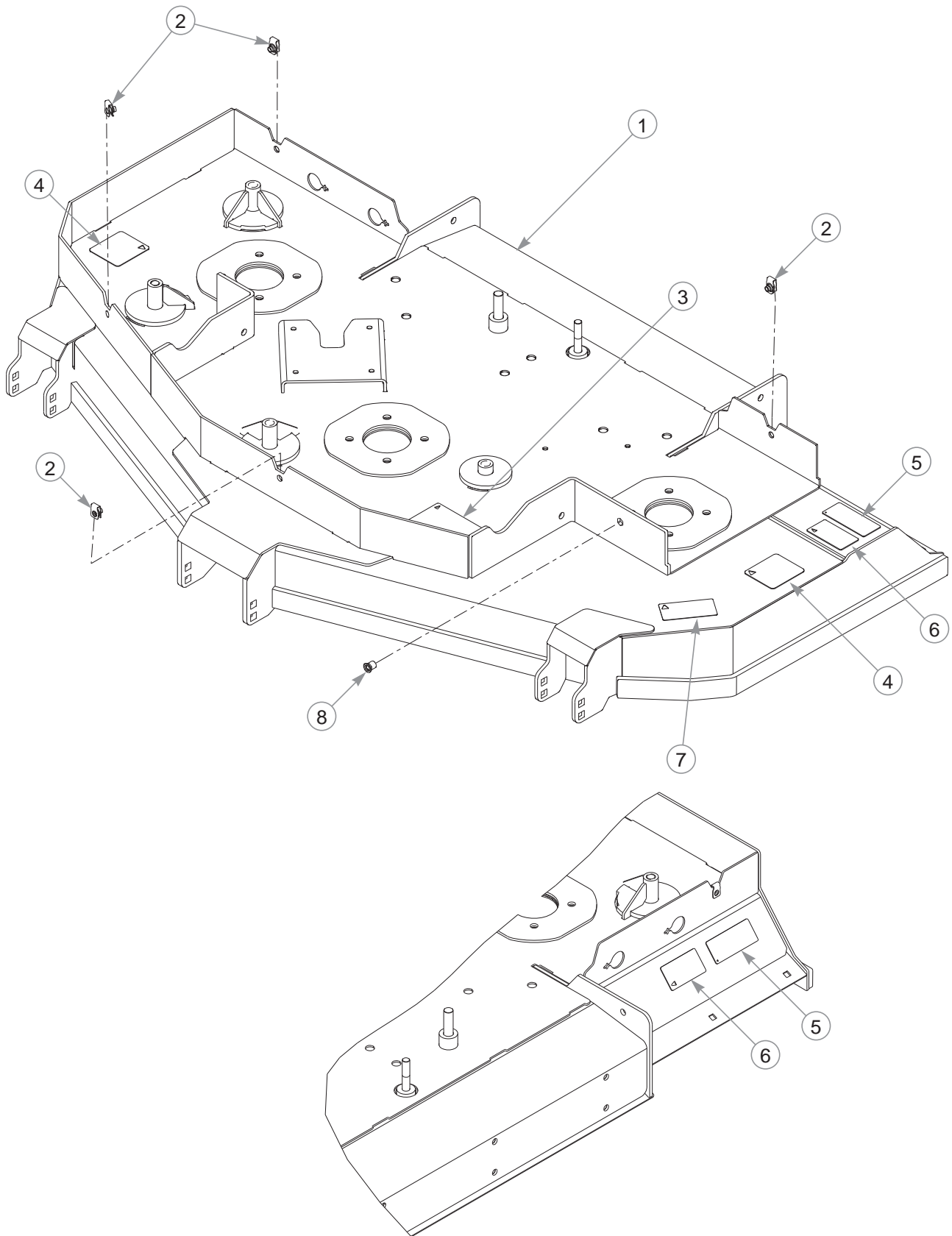


Side Discharge Deck Mounting Hardware

INDEX NO.	PART NO.	QTY.	DESCRIPTION
16	061101	2	NT .750-10 HX ZY NL
17	025296	4	FW .760 X 1.625 X .08 ZNYC
18	051169	2	CS .750-10 X 3.00 HX G5

NOTES:

60" Rear Discharge Service Deck

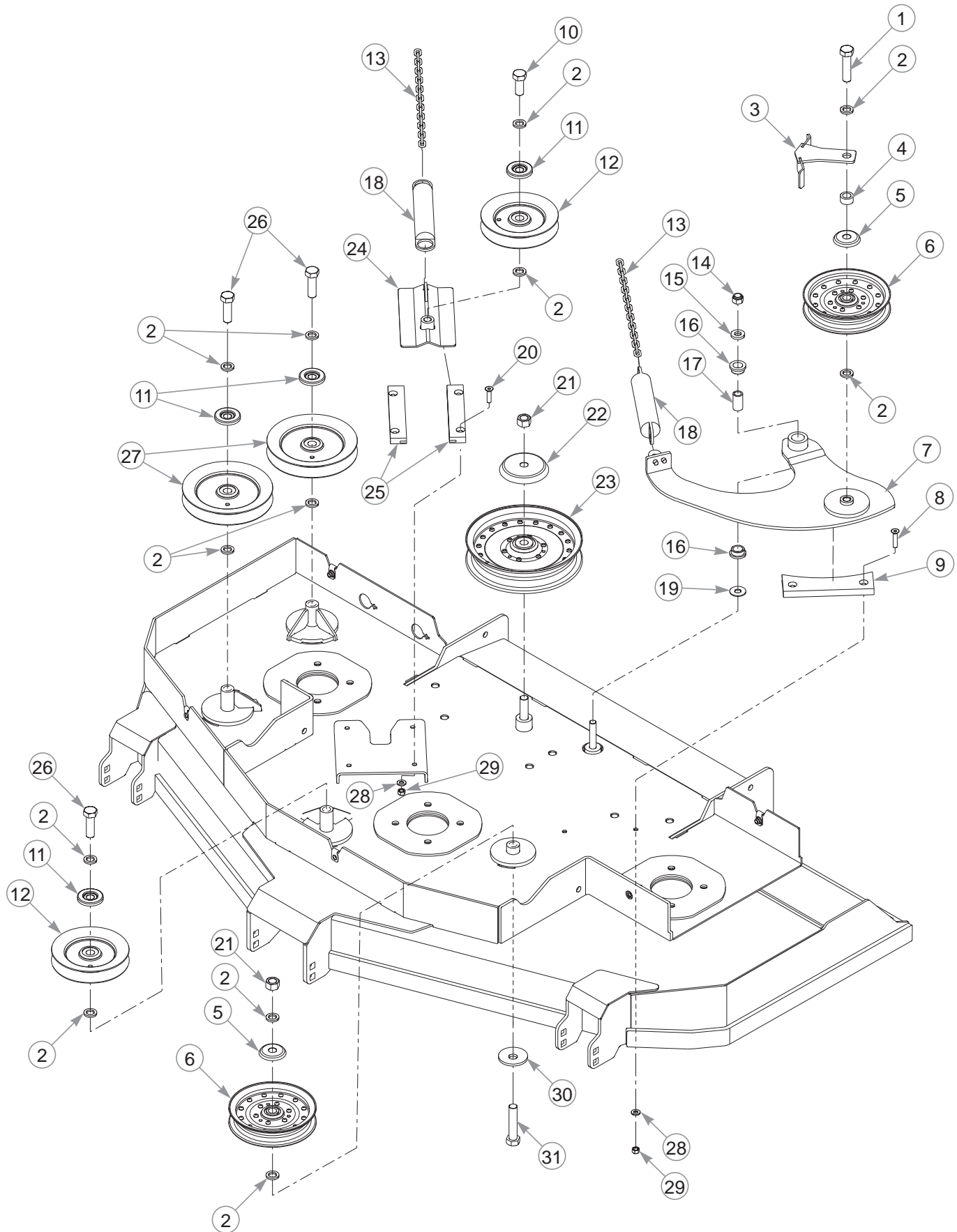


60" Rear Discharge Service Deck

INDEX NO.	PART NO.	QTY.	DESCRIPTION
1	550935	1	60" RD DECK (WITH DECALS & HARDWARE)
2	601069	4	CN .312-18 X .20 MAX THK
3	603349	1	2 BELT ROUTING DECAL
4	601837	2	DECK DANGERS DECAL
5	601892	2	THROWN OBJECTS DECAL
6	603391	2	RUBBER FLAP DECAL
7	786277	1	60" DECK ID DECAL
8	792887	1	5/16-18 THREAD HEX RIVET NUT

NOTES:

60" Rear Discharge Deck Pulleys & Spindles

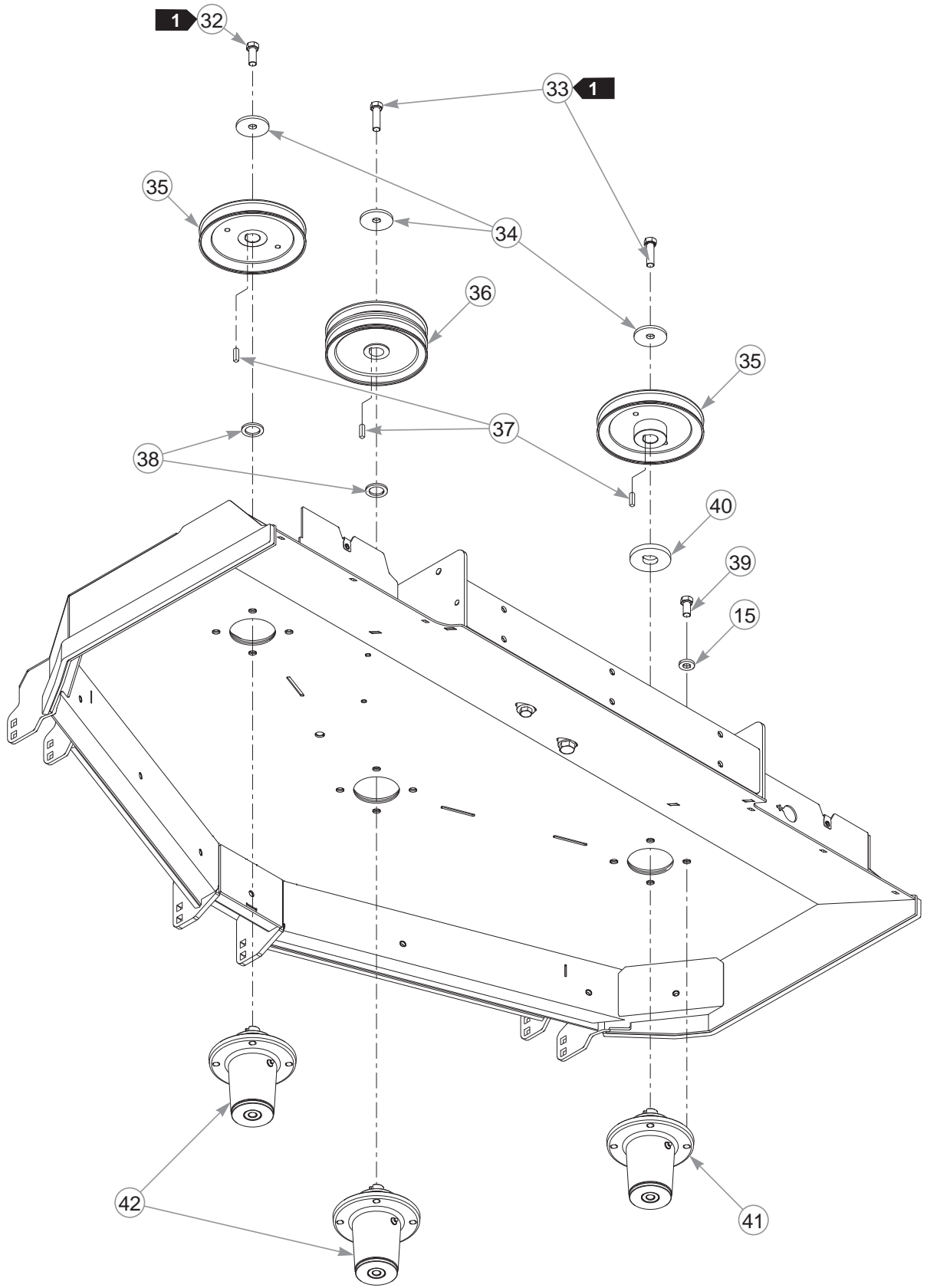


60" Rear Discharge Deck Pulleys & Spindles

INDEX NO.	PART NO.	QTY.	DESCRIPTION
1	025015	1	CS .625-11 X 2.50 HX G5
2	028118	12	FW .625 X 1.00 X .134
3	113088	1	BELT GUIDE
4	603256	1	DECK IDLER SPACER 1/2" LG
5	602935	2	IDLER DUST SHIELD SM
6	602821	2	IDLER 6.0" RIVETED
7	114133	1	RD DECK IDLER ARM
8	797910	2	CS .312-18 X 1.50 FLT SH ZY
9	601779	1	IDLER GUIDE
10	794446	1	CS .625-11 X 1.50 HX G5
11	603057	4	DUST SHIELD WITH OFFSET
12	602672	2	PULLEY V-IDLER HBB 5.0"
13	373191	2	CHAIN, 21 LINK
14	781567	1	NT .500-13 HX G8 ZY NL
15	767962	13	FW .531 X 1.063 X .175
16	770867	2	PLASTIC BUSHING .750 X 1
17	109549	1	IDLER PIVOT BUSHING
18	781302	2	TENSION SPRING
19	704759	1	FW .500 X 1.25 X .075 ZNY
20	784199	4	CS .312-18 X 1.25 FLT SH
21	016972	2	NT .625-11 HX G5 ZNYC
22	602963	1	IDLER DUST SHIELD LG
23	602838	1	IDLER 8.0" RIVETED
24	114105	1	IDLER SLIDE
25	601619	2	IDLER SLIDE UHMW
26	016642	3	CS .625-11 X 2.00 HX G5 Z
27	796714	2	6" HB IDLER PULLEY
28	768523	6	FW .343 X .687 X .051/.080H
29	058776	6	NT .312-18 HX G5 ZY NL
30	782474	1	CW .631 X 2.25 X .187 PNT
31	783738	1	CS .625-11 X 3.00 FULL HX G5

NOTES:

60" Rear Discharge Deck Pulleys & Spindles



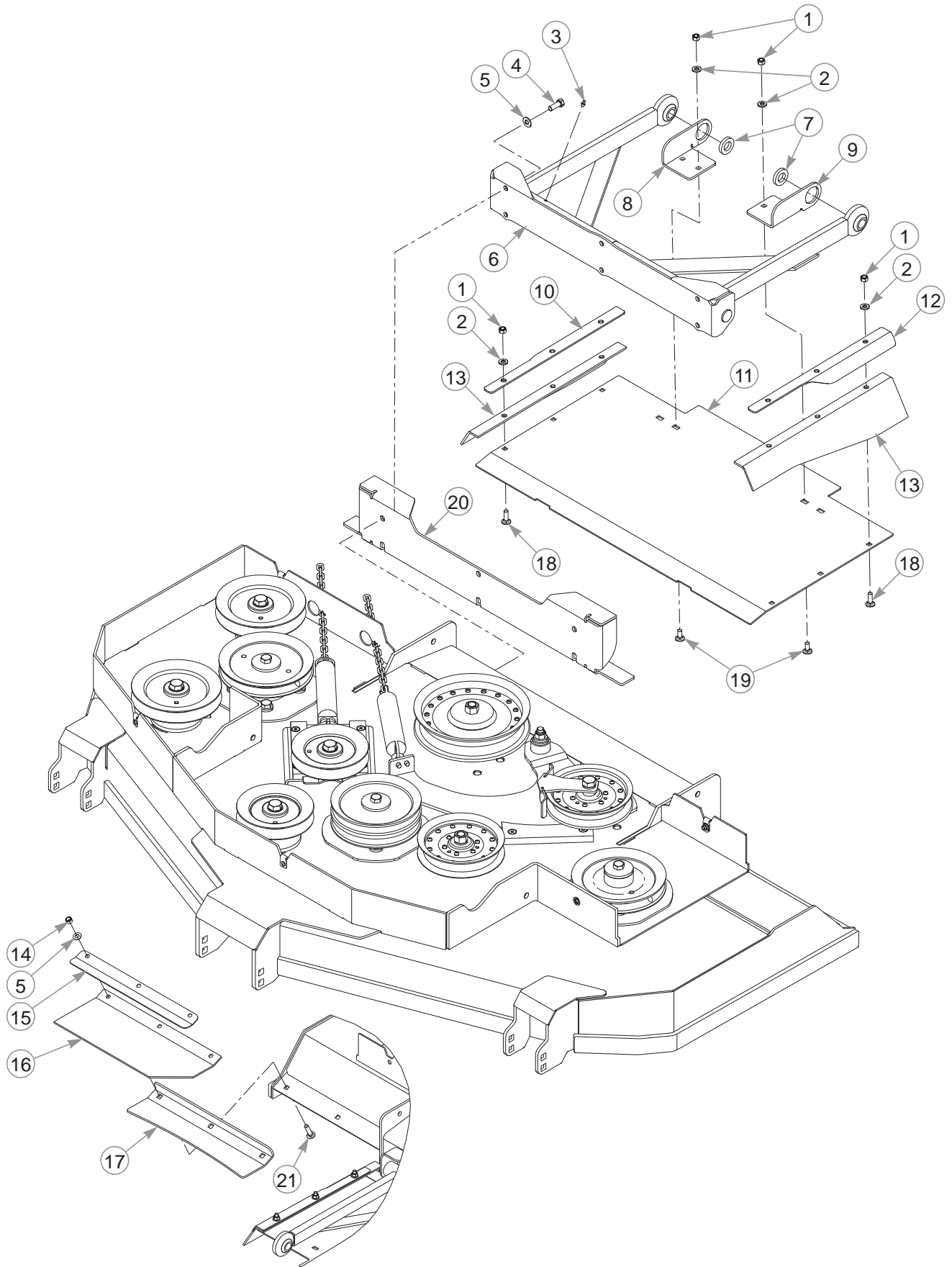
60" Rear Discharge Deck Pulleys & Spindles

INDEX NO.	PART NO.	QTY.	DESCRIPTION
32	705954	1	CS .500-13 X 1.25 HX G5
33	017616	2	CS .500-13 X 1.75 HX G5
34	752386	3	CW .515 X 2.25 X .204 BLK
35	602745	2	PULLEY DRIVE 7.00 EFF
36	770388	1	PULLEY
37	212472	3	KEY 1/4 SQ X 1.00
38	045765	2	FW 1.030 X 1.50 X .134
39	016527	12	CS .500-13 X 1.00 HX G5 ZN
40	114108	1	SPACER
41	604256	1	BLADE SPINDLE CCW
42	604255	2	BLADE SPINDLE CW

NOTES:

1. Torque to 65–75 ft-lbs.

60" Rear Discharge Dust Shield

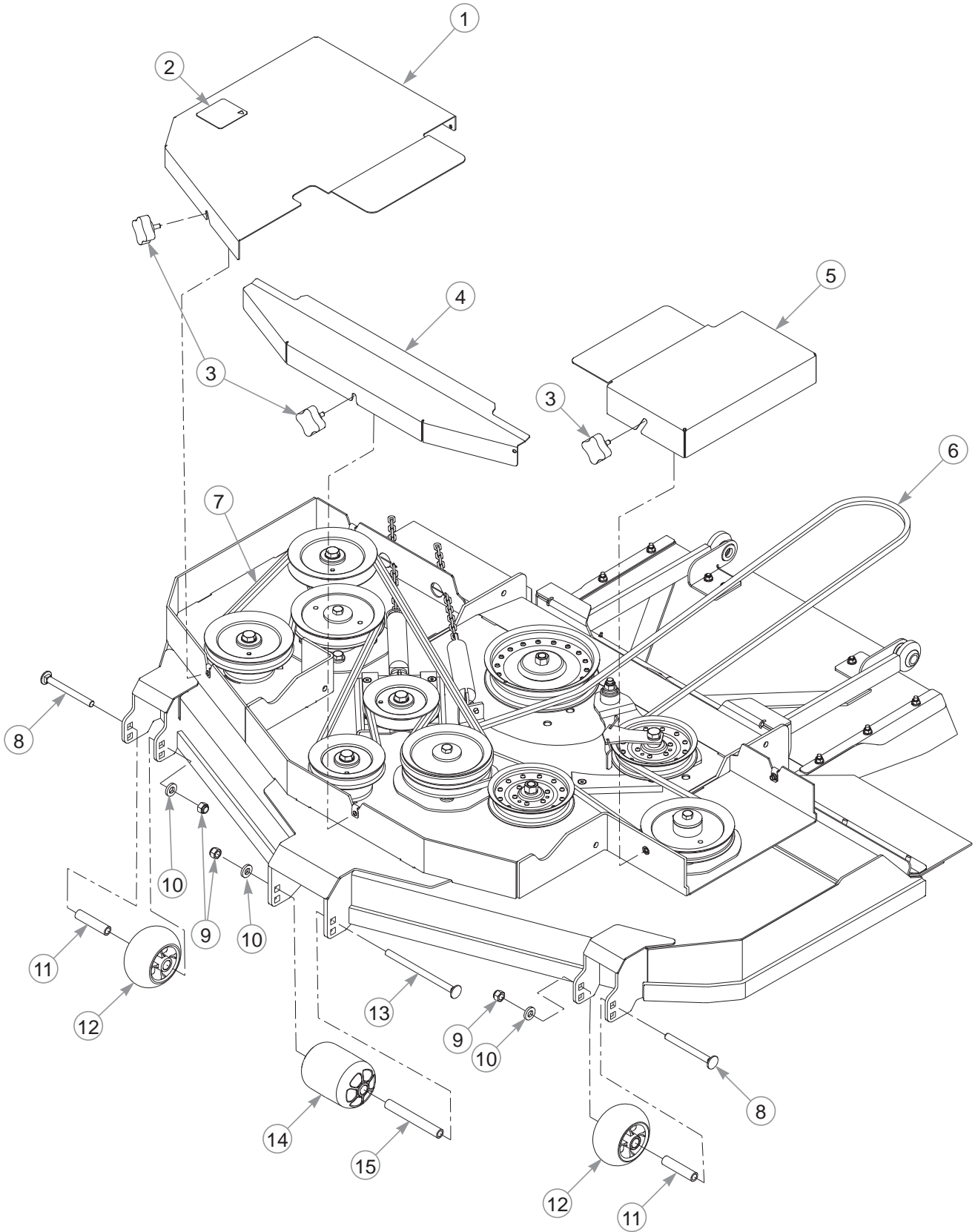


60" Rear Discharge Dust Shield

INDEX NO.	PART NO.	QTY.	DESCRIPTION
1	058776	10	NT .312-18 HX G5 ZY
2	768523	10	FW .343 X .687 X .051/.080H
3	015495	2	GREASE FITTING STRAIGHT
4	036244	6	CS .375-16 X 1.00 HX G5
5	767954	12	FW .379 X .813 X .063
6	113340	1	PUSHER
7	778399	2	FW .781 X 1.375 X .250 ZNY
8	109482	1	RS CHUTE BRACKET
9	109483	1	LS CHUTE BRACKET
10	109487	1	RS CLAMP ANGLE
11	114440	1	DUST SHIELD
12	109486	1	LS CLAMP ANGLE
13	601483	2	RUBBER SIDE FLAP
14	086660	6	NT .375-16 HX G5 ZY NL
15	106716	2	DISCHARGE CHUTE ANGLE
16	600254	2	RD REAR FLAP
17	351676	2	DECK STIFFENER ANGLE
18	037887	6	CB .312-18 X 1.00 FULL ZN
19	016253	4	CB .312-18 X .75 FUL ZN
20	114522	1	REAR DECK STOP
21	710194	6	CB .375-16 X 1.50 STD G5

NOTES:

60" Rear Discharge Deck

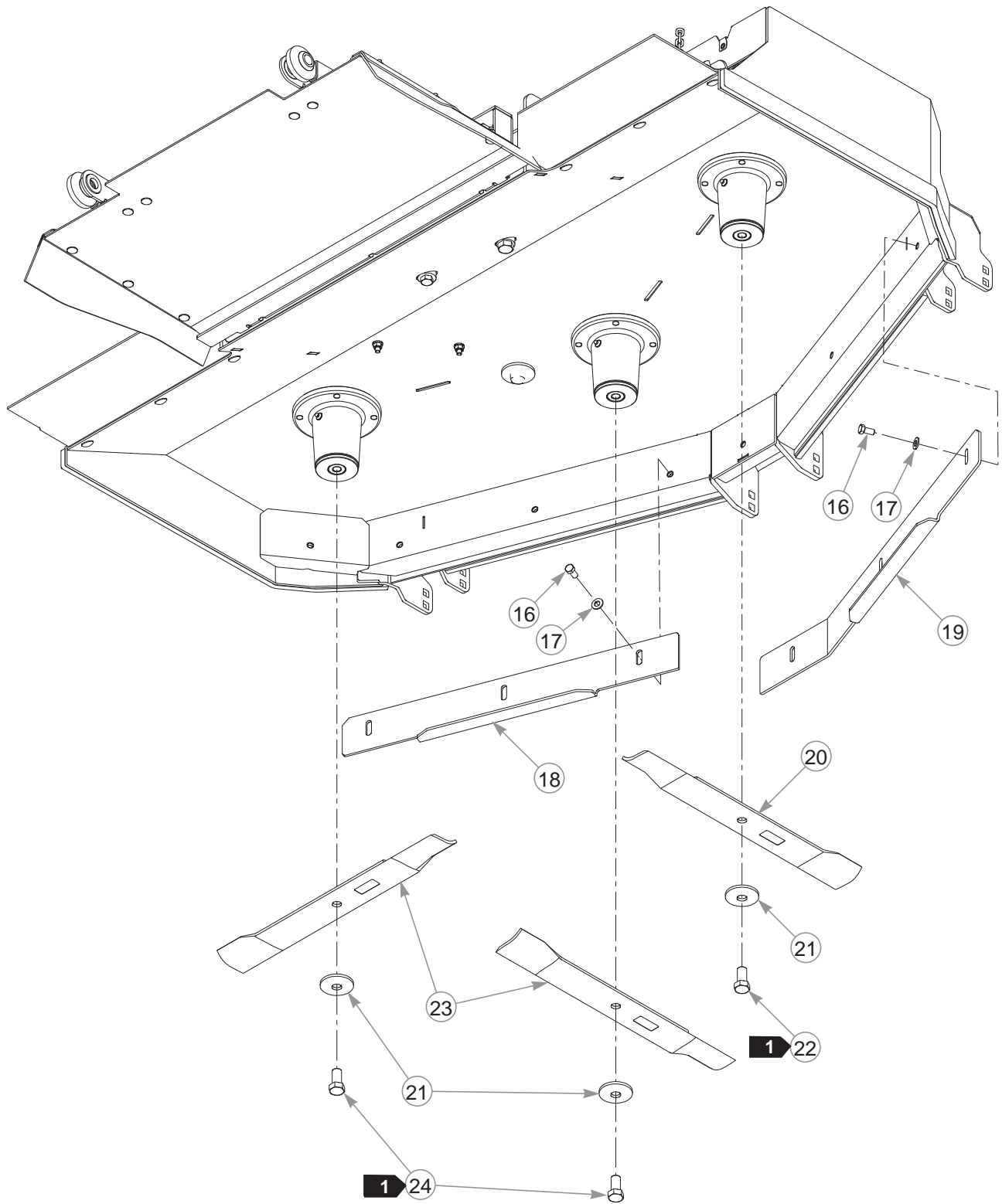


60" Rear Discharge Deck

INDEX NO.	PART NO.	QTY.	DESCRIPTION
1	550939	1	RS PULLEY COVER (WITH DECALS)
2	601837	1	DECK DANGERS DECAL
3	792002	5	KNOB 5/16-18 X 3/4"
4	550938	1	CENTER PULLEY COVER
5	114210	1	LS PULLEY COVER
6	777185	1	BELT, B 145.5" EL
7	027284	1	BELT, B 138" EL
8	603049	2	CB .500-13 X 5.00 ZNYC
9	781567	3	NT .500-13 HX G8 ZY NL
10	767962	3	FW .531 X 1.063 X .175
11	602345	2	SPACER 3.22
12	602263	2	PLASTIC WHEEL
13	602338	1	CB .500-13 X 7.50 STD ZN
14	602341	1	PLASTIC WHEEL
15	602344	1	SPACER 5.73

NOTES:

60" Rear Discharge Deck



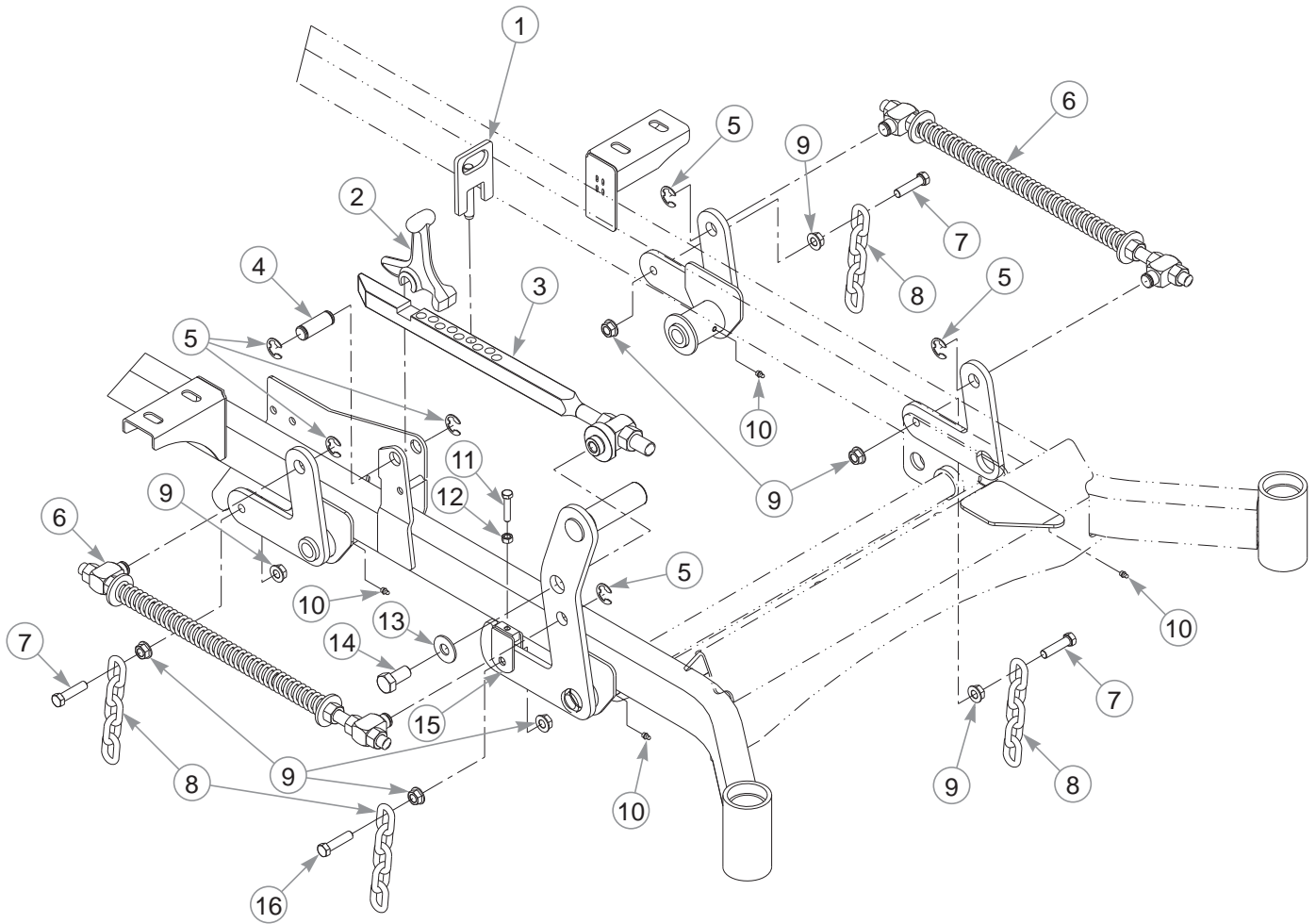
60" Rear Discharge Deck

INDEX NO.	PART NO.	QTY.	DESCRIPTION
16	055822	6	CS .375-16 X .75 HX G5
17	767954	6	FW .379 X .813 X .063
18	114205	1	LS ADJUSTABLE BAFFLE
19	114204	1	RS ADJUSTABLE BAFFLE
20	795633	1	BLADE, F20.50"-L-F-CCW
	601928	1	BLADE, 20.50" GAT-F-CCW
21	782474	3	CW .631 X 2.25 X .187 PNT
22	604383	1	CS .625-11 X 1.25 HX G5 LH THREAD
23	600901	2	BLADE, F20.50"-L-F-CW
	794230	2	BLADE, 20.50" GAT-F-CW
24	781872	2	CS .625-11 X 1.25 HX G5 Z

NOTES:

1. Torque to 118 ft-lbs.

Rear Discharge Deck Lift

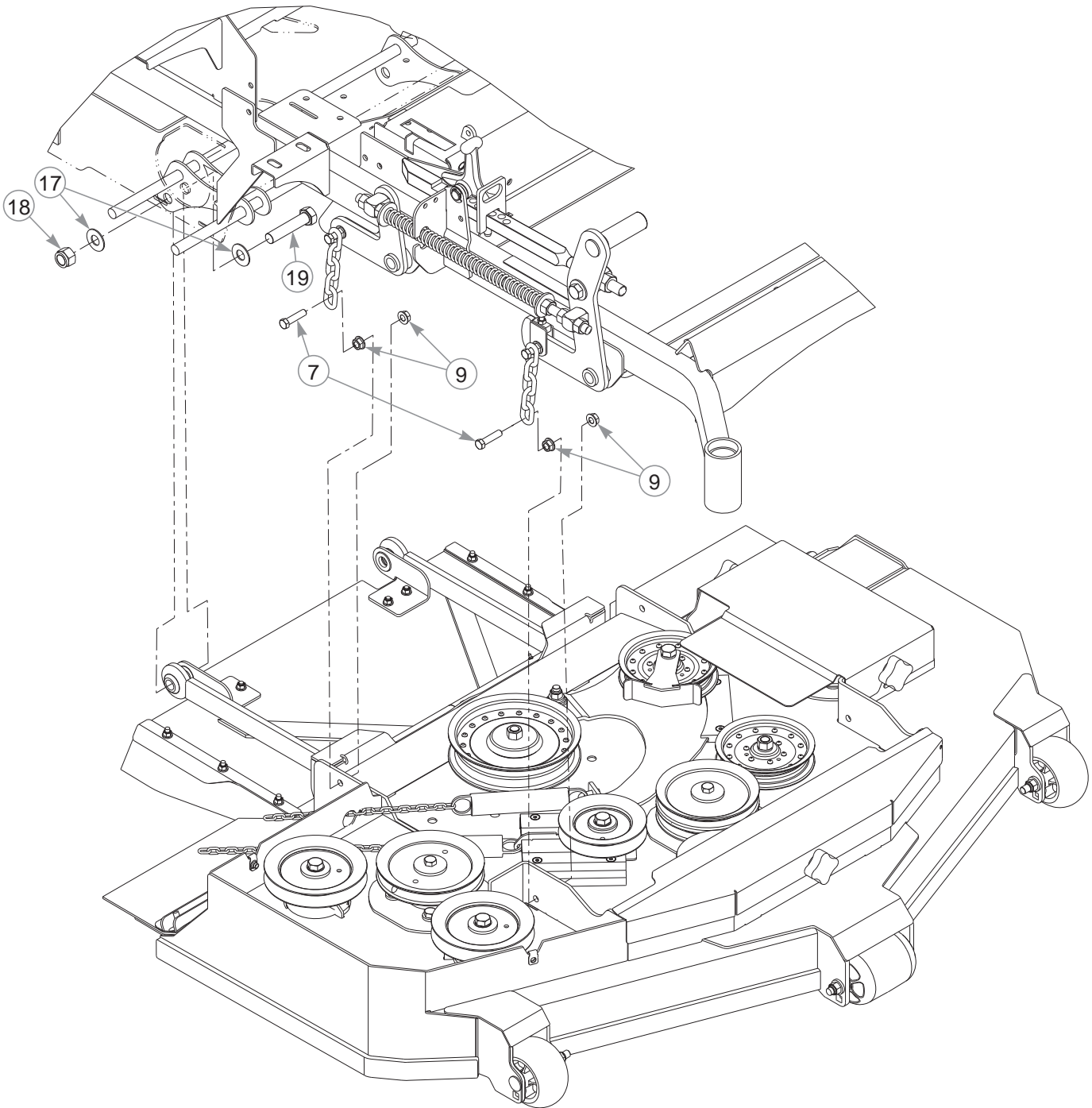


Rear Discharge Deck Lift

INDEX NO.	PART NO.	QTY.	DESCRIPTION
1	600437	1	DECK HEIGHT PIN
2	348318	1	STOP HANDLE
3	602898	1	DECK LIFT INDICATOR
4	781229	1	CE .750 X 2.25 X 1.75 HEAD
5	781294	6	E CLIP 1.00 X .625 X .05
6	603184	2	DECK LIFT SPRING
7	055749	7	CS .437-14 X 1.75 HX G5
8	348391	4	DECK LIFT CHAIN
9	704643	16	NT .437-14 HX FLG ZN
10	015495	4	GREASE FITTING STRAIGHT
11	756270	1	CS .312-18 X 1.50 FLTHR HX
12	034272	1	NT .312-18 HX G5
13	704783	1	FW .625 X 1.50 X .105 ZN
14	781872	1	CS .625-11 X 1.25 HX G5 Z
15	348458	1	DECK LEVELER YOKE
16	781831	1	CS .437-14 X 1.75 FULTH

NOTES:

Rear Discharge Deck Mounting Hardware



Rear Discharge Deck Mounting Hardware

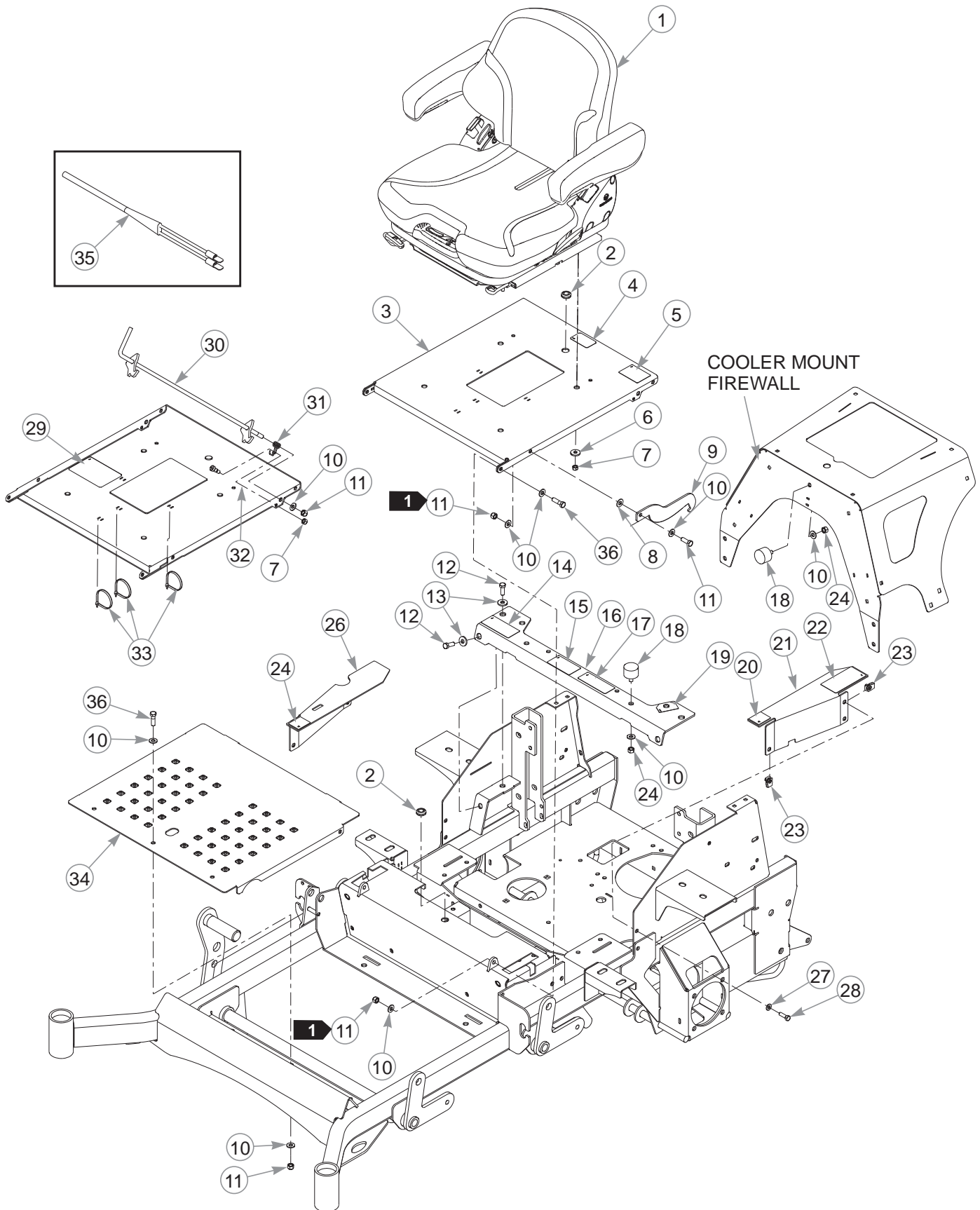
INDEX NO.	PART NO.	QTY.	DESCRIPTION
17	025296	4	FW .760 X 1.625 X .08 ZNYC
18	061101	2	NT .750-10 HX ZY NL
19	789115	2	CS .750-10 X 3.50 HX G5

NOTES:

Section 8

Seat	8-2
Seat Service Parts	8-4
ROPS—S/N 15010001 & Higher	8-6
ROPS—S/N Prior to 15010001	8-8

Seat



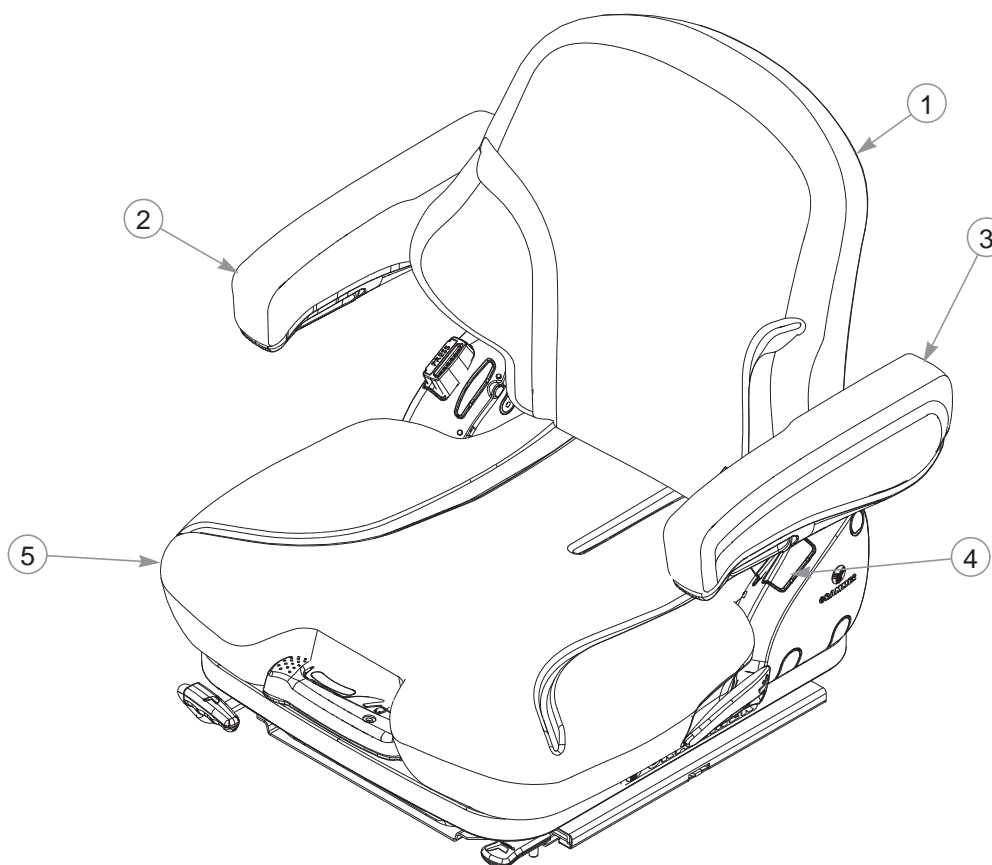
Seat

INDEX NO.	PART NO.	QTY.	DESCRIPTION
1	605696	1	SEAT
2	080358	2	GM .50 X 1.00 X .75 X .12
3	550815	1	SEAT PAN (WITH DECALS)
4	605688	1	LEVEL FUEL FILL DECAL
5	785188	1	ARMREST WARNING DECAL
6	712927	4	FW .344 X 1.00 X .12 HRD Z
7	058776	5	NT .312-18 HX ZY NL
8	724716	2	FIBER WASHER
9	350421	2	SEAT PAN STOP (PLATED)
10	767954	14	FW .379 X .813 X .063
11	086660	6	NT .375-16 HX G5 ZY NL
12	036244	6	CS .375-16 X 1.00 HX G5
13	712919	4	FW .406 X 1.00 X .12 HRD Z
14	601967	1	ENGINE COMPARTMENT DECAL
15	601968	1	HYDRAULIC PRESSURE DECAL
16	550816	1	SEAT SUPPORT (WITH DECALS)
17	601058	1	HOT/SYN HYDRO OIL DECAL
18	601650	3	VIBRATION MOUNT
19	791848	1	FUEL INDICATOR DECAL
20	785139	1	LS STEERING DECAL
21	550823	1	LS FRAME COVER (WITH DECALS)
22	600899	1	PUMP BELT WARNING DECAL
23	601069	5	CN .312-18 X .20 MAX THK
24	054502	3	NT .375-16 HX G5 ZNY
25	785220	1	RS STEERING DECAL
26	550824	1	RS FRAME COVER (WITH DECALS)
27	768523	5	FW .343 X .687 X .051/.080H
28	036236	5	CS .312-18 X 1.00 HX G5
29	601815	1	BATTERY WARNINGS DECAL
30	113157	1	SEAT LATCH
31	783910	1	TORSION SPRING
32	754358	1	SB .375 X .375 SH .312-18
33	000331	3	WIRE TIE
34	117323	1	FLOOR PAN
35	604439	1	SEAT SWITCH PIGTAIL
36	052860	3	CS .375-16 X 1.25 HX G5 ZN

NOTES:

1. Do not torque; the seat pan & seat pan stop must pivot freely.

Seat Service Parts

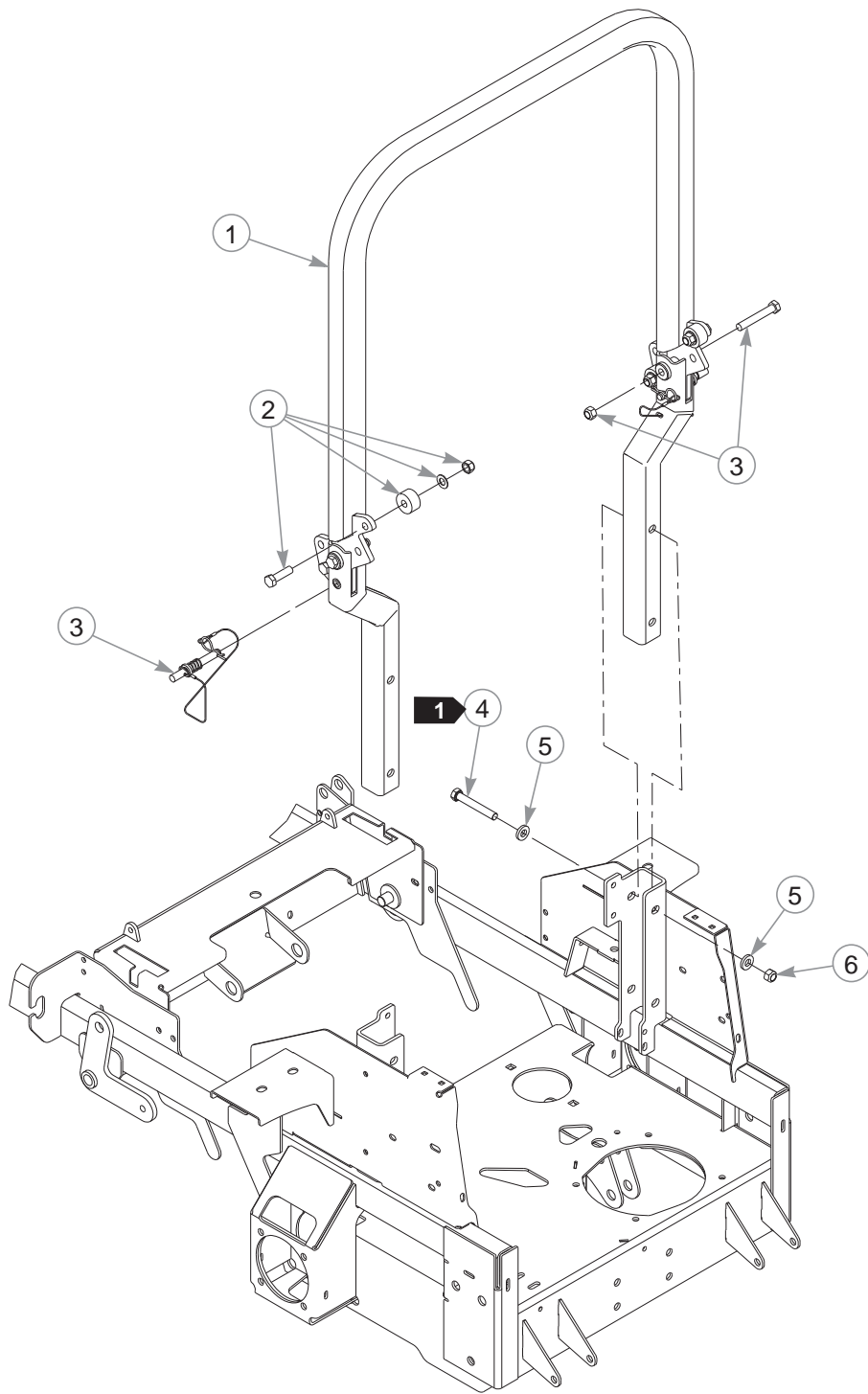


INDEX NO.	PART NO.	QTY.	DESCRIPTION
1	604940	1	BACK CUSHION
2	604938	1	RS ARMREST
3	604937	1	LS ARMREST
4	604941	1	SEAT BELT
5	604939	1	SEAT CUSHION
6	604973	1	SEAT SWITCH (NOT SHOWN)
7	119287	1	SLIDE KIT (NOT SHOWN)
8	119288	1	ISOLATOR KIT (NOT SHOWN)

NOTES:

This page intentionally left blank.

ROPS—S/N 15010001 & Higher



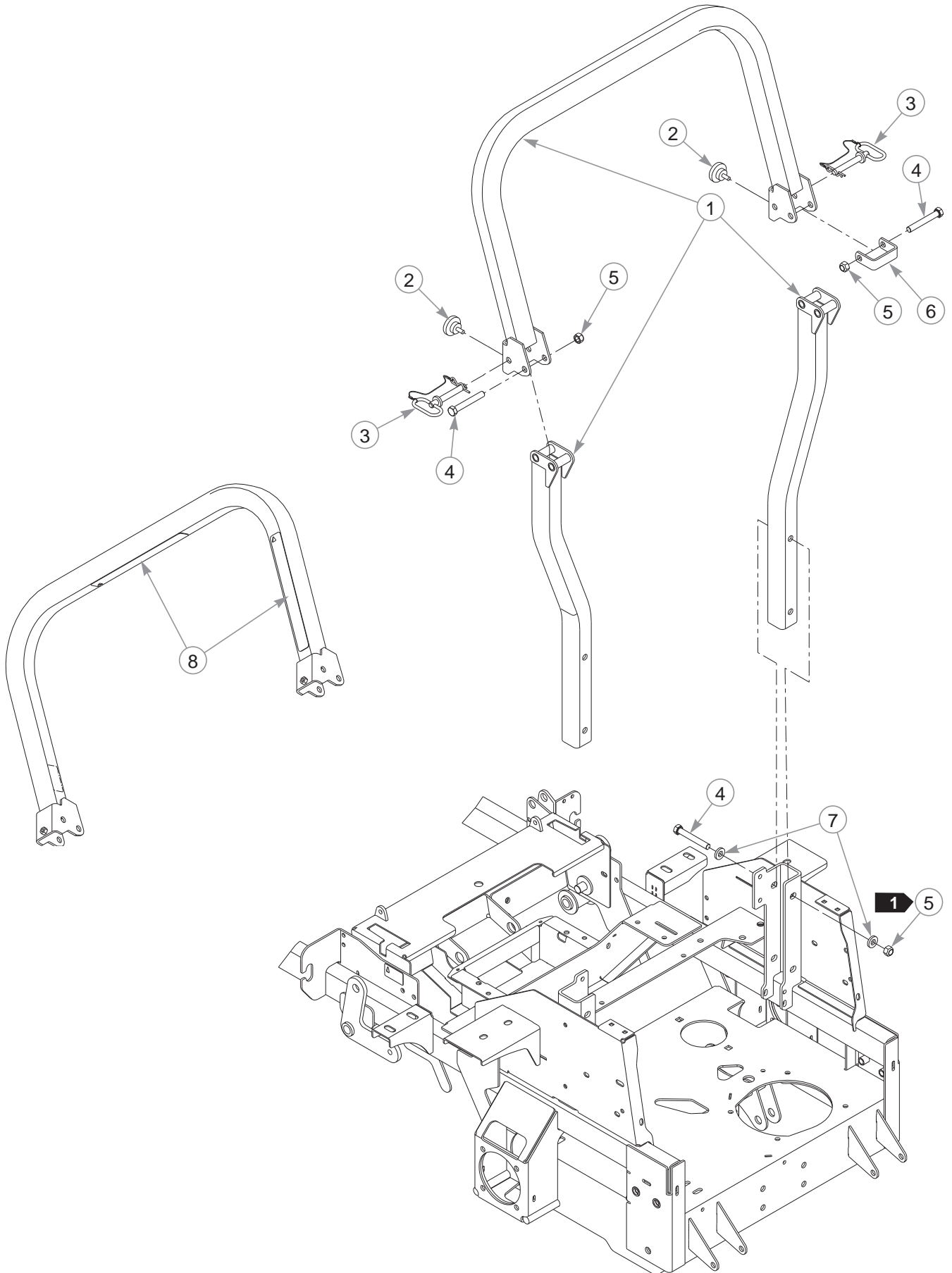
ROPS—S/N 15010001 & Higher

INDEX NO.	PART NO.	QTY.	DESCRIPTION
1	605639	1	ROPS KIT
2	605731	2	POLY STOP KIT
3	605638	1	ROPS HARDWARE KIT
4	061812	4	CS .500-13 X 3.50 HX G5
5	767962	8	FW .531 X 1.063 X .175
6	023317	4	NT .500-13 UNT LK G8 ZN

NOTES:

1. Torque to 73 ft-lbs.

ROPS—S/N Prior to 15010001



ROPS—S/N Prior to 15010001

INDEX NO.	PART NO.	QTY.	DESCRIPTION
1	603338	1	ROPS KIT (WITH DECALS, SEATBELT & HARDWARE)
2	601470	2	HAND KNOB
3	601471	2	LYNCH PIN W/ LANYARD
4	061812	6	CS .500-13 X 3.50 HX G5
5	023317	6	NT .500-13 UNT G8
6	603099	1	ROPS STOP
7	767962	8	FW .531 X 1.063 X .175
8	601635	2	ROPS DECAL

NOTES:

1. Torque to 73 ft-lbs.

