

Hustler TrimStar 48"/54" ***Parts Manual***



HUSTLER®



Hustler Turf Equipment



P.O. Box 7000



Hesston, Kansas



67062-2097

Table of Contents

Section 1	
General Information	1-1
Section 2	
Mower Frame Assembly	2-2
California Components TS	2-4
Hydro Installation	2-6
Section 3	
Deck Lift and Installation	3-2
Cover Install	3-6
Section 4	
Engine 17HP, 19HP Kaw	4-2
Engine Install, 23HP KAW ES.	4-4
Fuel System Install	4-8
Instrument Panel.	4-10
Instrument Panel.	4-12
Instrument Panel.	4-16
Throttle	4-18
54" ES Console Assembly	4-20
Electrical Schematic—601971	4-26
Section 5	
Tire Installation	5-2
Tire Assembly	5-4
Caster Wheel Assembly	5-5
Section 6	
Deck, Decal Assembly 48"	6-2
48" Deck Pulley Assembly	6-4
48" Deck Belt & Blade Assembly	6-6
48" Deck Belt Routing and Tensioning	6-9
Deck Decals, 54".	6-10
54" Deck Pulley Assembly	6-12
54" Deck Belt & Blade Assembly	6-14
54" Deck Belt Routing and Tensioning	6-17
Index	i-1

Section 1

General Information

This Manual covers TrimStar models **929240, 929265 and 929273**

Frequently Ordered Parts

PART NO.	DESCRIPTION
793836	Pump Drive Belt
601969	TS 48" BELT, B 122.00 EL
601788	TS 54" BELT, B 133.10 EL
795757	BLADE, F16.50"-H-F-CW
797696	BLADE, F18.50"-H-F-CW
068478	Fuel Filter
797852	Kawasaki KAI Air Filter Precleaner
797860	Kawasaki KAI Air Filter Cartridge
772079	Engine Oil Filter

Service Literature

PART NO.	DESCRIPTION
111251	TrimStar Owner's Manual
797795	Kawasaki KAI 17/19HP Engine Manual

Note: When ordering parts, you must use the part number as shown for each part, not the index number. Always give the model and serial number to your parts and service representative.

Note: Items sold in bulk such as seals and hoses are sold by the foot.

PART NO.	DESCRIPTION
033001	FLEXIBLE TRIM
787713	HOSE, 0.50" LOW PRESSURE
015818	FUEL LINE

Using this manual

Illustrations used were current at the time of printing, but subsequent production changes may cause your machine to vary slightly in detail. Excel Industries, Inc. reserves the right to redesign and change the machine as deemed necessary, without notification. If a change has been made to your machine which is not reflected in this parts manual, see your Hustler dealer for current information and parts.

Options Available From Your Dealer

PART NO.	DESCRIPTION
108223	48" TrimStar Hydro Mulch Kit
108197	54" TrimStar Hydro Mulch Kit
102125	Roll-On Striping Sulky
929299	TrimStar Side Catcher
111479	Adapter kit

Hardware Description Codes & Abbreviations

The following codes are used throughout this parts manual. Refer to this list when ordering parts.

ABBREVIATION	DESCRIPTION	ABBREVIATION	DESCRIPTION
CB	Carriage Bolt	MB	Machine Bushing
CE	Clevis Pin	MS	Machine Screw
CP	Cotter Pin	NT	Nut
CS	Cap Screw	SC	Self Tapping Cap Screw
CW	Cup Washer	SH	Socket Head
FDRW	Fender Washer	SB	Shoulder Bolt
FW	Flat Washer	SS	Set Screw
HX	Hex Head	OD	Outside Diameter
LW	Lock Washer	ID	Inside Diameter

Standard Torques

The following chart lists the standard torque values for the threaded fasteners found in this manual. Torque all cap screws, nuts and set screws to these values unless a different torque is shown in the Notes section next to the fastener.

SIZE	FT-LBS	NM	SIZE	FT-LBS	NM
.250	8.2	11.1	M3	1	1.3
.312	17	23	M4	2.2	3
.375	30	40	M5	4.5	6.1
.438	48	65	M6	7.7	10.4
.500	73	99	M8	18.5	25
.562	105	143	M10	37	50
.625	145	200	M12	64	87
.750	260	350	M14	80	108.5
.875	420	565	M16	160	215
1.00	625	850	M20	320	435
			M24	555	750

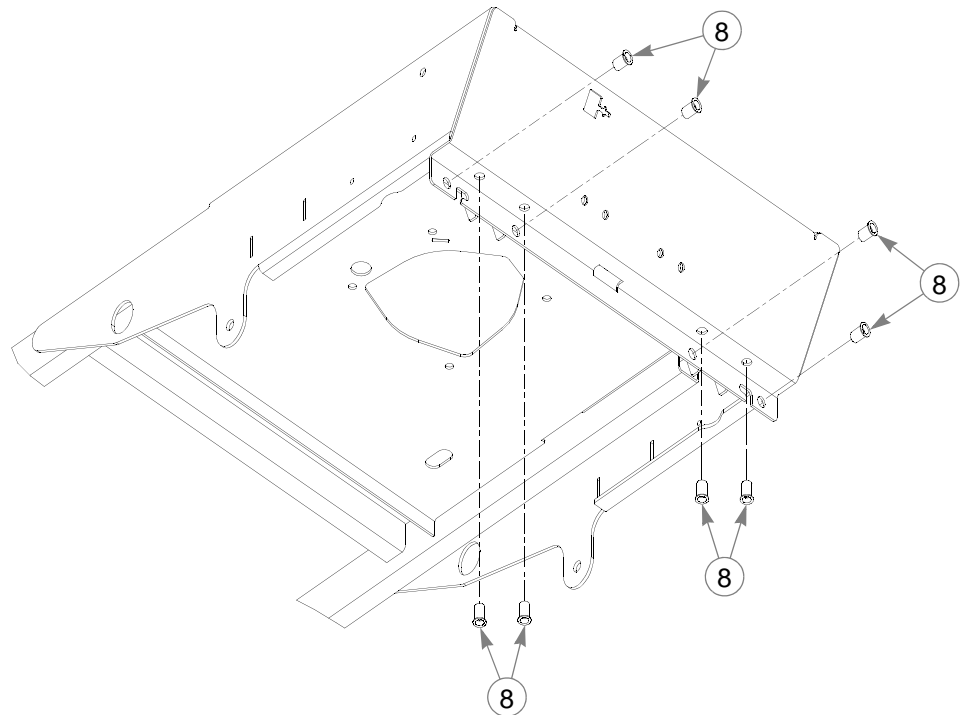
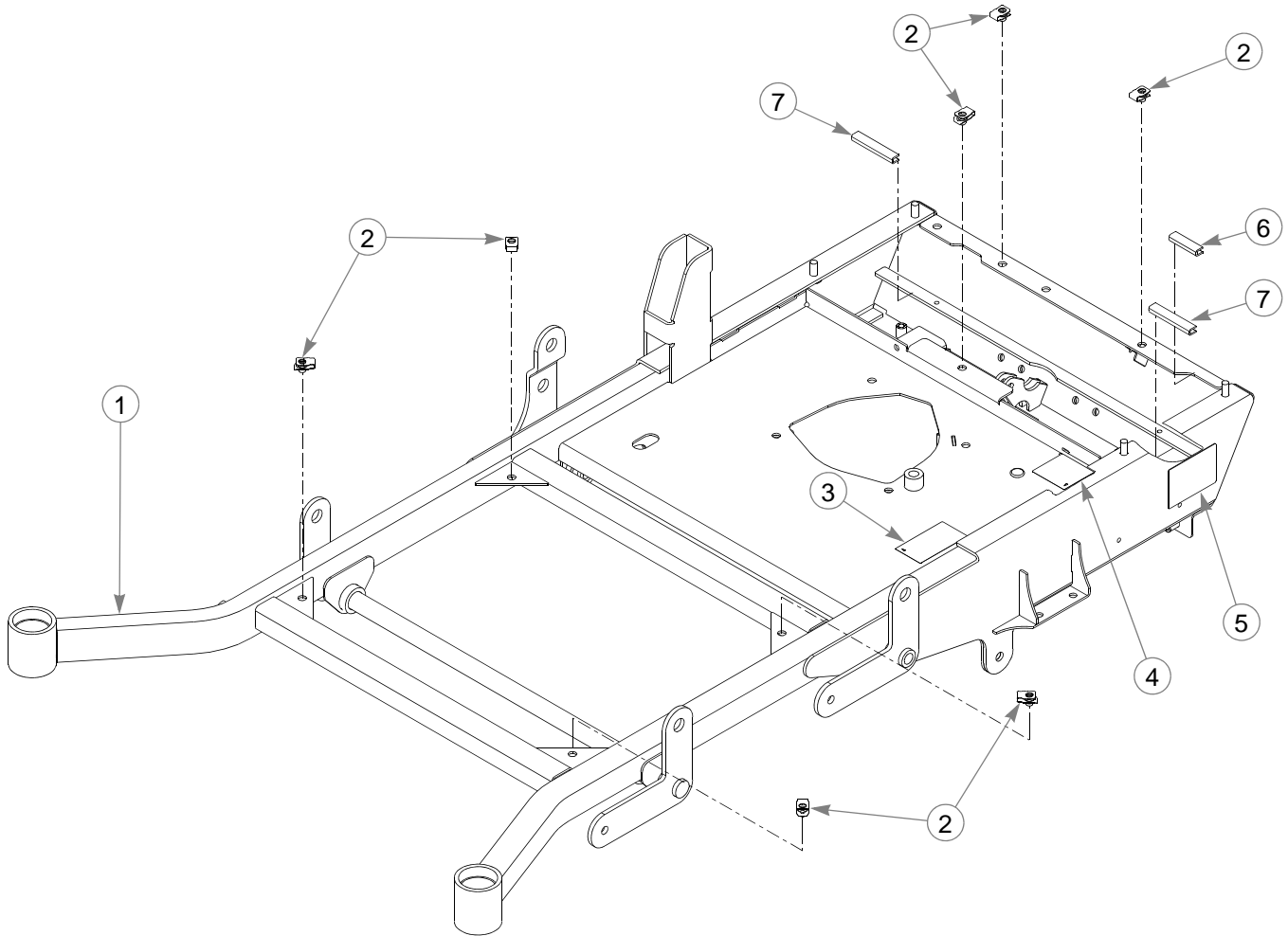
NOTE:

Loctite® 592 to be used on all pipe threads.
Lubricate all grease zerks.

Section 2

Mower Frame Assembly	2-2
California Components TS.	2-4
Hydro Installation.	2-6

Mower Frame Assembly



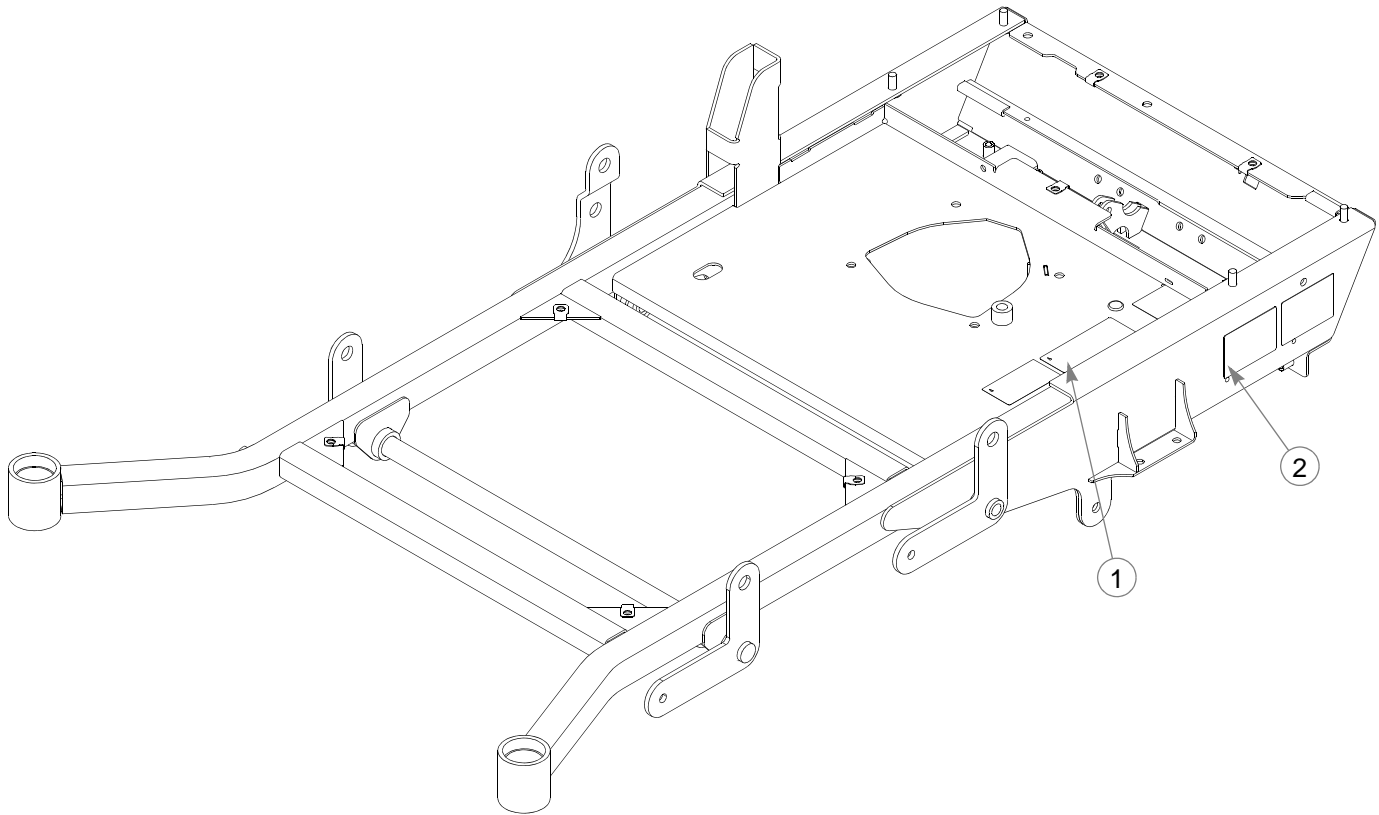
Mower Frame Assembly

INDEX NO.	PART NO.	QTY.	DESCRIPTION
1	550227	1	FRAME INSTALL
2	550228	1	FRAME INSTALL
2	601069	7	CN .312-18X.200 MAX THK
3	779280CE	1	DECAL,HOT CE
4	797647	1	DECAL, TSH IZT BELT
5	083279	1	SERIAL NO PLATE TURF
6	033001	1	FLEXIBLE TRIM 2" TOTAL
7	033001	2	FLEXIBLE TRIM 3" TOTAL
8	808485	8	RIVET NUT, 5/16-18

NOTES:

1. Used on 929240 and includes items 2–8.
2. Used on 929265 and includes items 2–8.

California Components TS

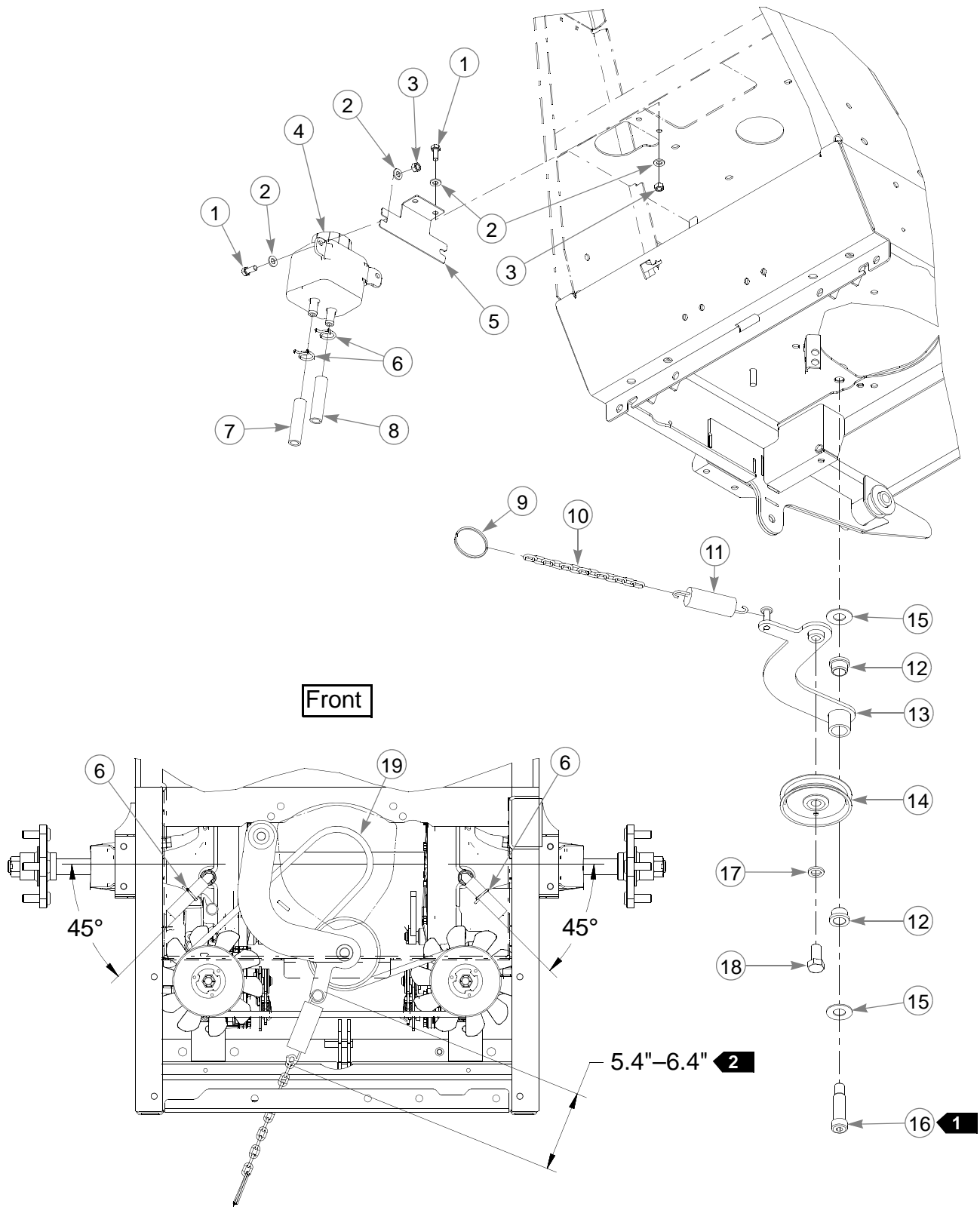


INDEX NO.	PART NO.	QTY.	DESCRIPTION
1	601908	1	DECAL, SPARK ARRESTOR
2	083279CA	1	DECAL, CA EMISSIONS

NOTES:

This page intetionally left blank.

Hydro Installation



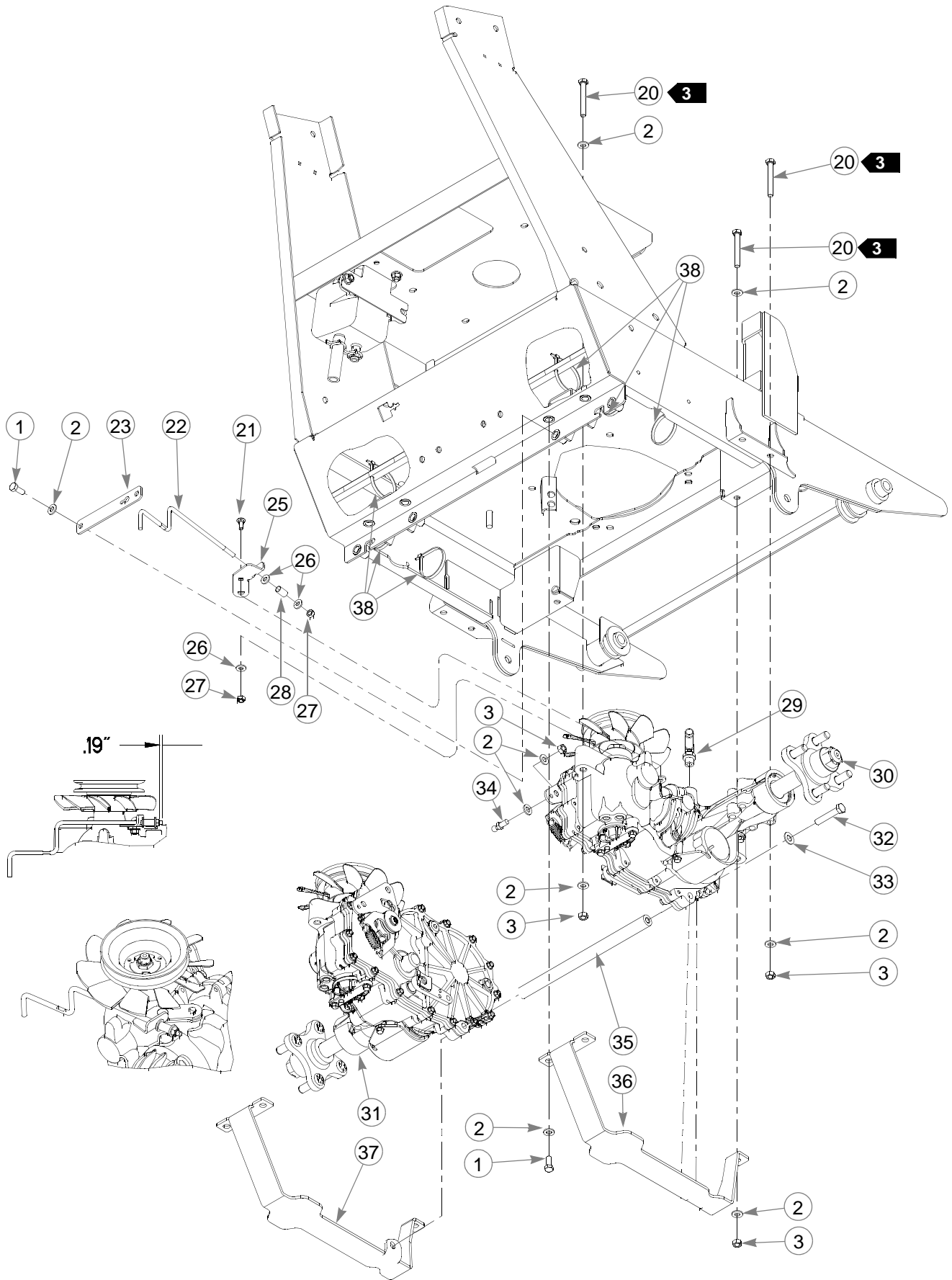
Hydro Installation

INDEX NO.	SERVICE PART NO.	QTY.	DESCRIPTION
1	034280	12	CS .312-18X .750 HX G5
2	768523	32	FW .343X.687X.051/.080H
3	034272	14	NT .312-18 HX G5 ZNYC
4	601996	1	EXPANSION TANK, ZT2800
5	110762	1	OVERFLOW BRKT, TS
6	601001	4	SPRING CLAMP, .75" DIA
7	787713	1	HOSE, 0.50" LOW PRESSURE 24" LH
8	787713	1	HOSE, 0.50" LOW PRESSURE 44" RH
9	778746	1	RING, 2" ID SPLIT
10	259812	1	CHAIN 8" (13 LINKS)
11	036384	1	SPRING 1/4 COIL PL 1.23
12	781153	2	BUSHING, UHMW
13	110739	1	PUMP IDLER ARM
14	786848	1	PULLEY, IDLER 4"OD X .6
15	025296	2	FW .760X 1.625X.08 ZNYC
16	601084	1	SB .750X 2.000 SH.625-11
17	028118	1	FW .625X1.00X.134 ZNYC
18	781872	1	CS .625-11X1.25 HX G5 Z
19	793836	1	BELT, A 63" EL

NOTES:

1. Torque to 100 ft-lbs.
2. Spring tension, hook to hook is 5.4"-6.4" (see detail).

Hydro Installation



Hydro Installation

INDEX NO.	SERVICE PART NO.	QTY.	DESCRIPTION
20	710087	8	CS .312-18X2.500 HX G5
21	601503	2	CB .250-20 X .625 ZNYC
22	602228	2	TOW LINK ROD
23	111157	2	PLATE, TS TOW VALVE
24	111616	1	TOW VALVE BRACKET, LS (NOT SHOWN)
25	111617	1	TOW VALVE BRACKET, RS
26	768515	6	FW .281X.625X.051/.080H
27	068551	4	NT .250-20 HXZY NL
28	041988	2	SPRING LC-042F-5
29	601219	2	FITTING, 90 - 9/16 SAE
30	601730	1	ZT2800, RH TRANS
31	601729	1	ZT2800, LH TRANS
32	016410	2	CS .375-16X2.00 G5 ZNYC
33	767954	2	FW .406X .812 X.060 SAE
34	781922	2	BALL STUD
35	600987	1	ZT SPACER TUBE
36	110731	1	CHARGE PUMP COVER, RH
37	110730	1	CHARGE PUMP COVER, LH
38	000331	6	WIRE TIE, SMALL/SHORT

NOTES:

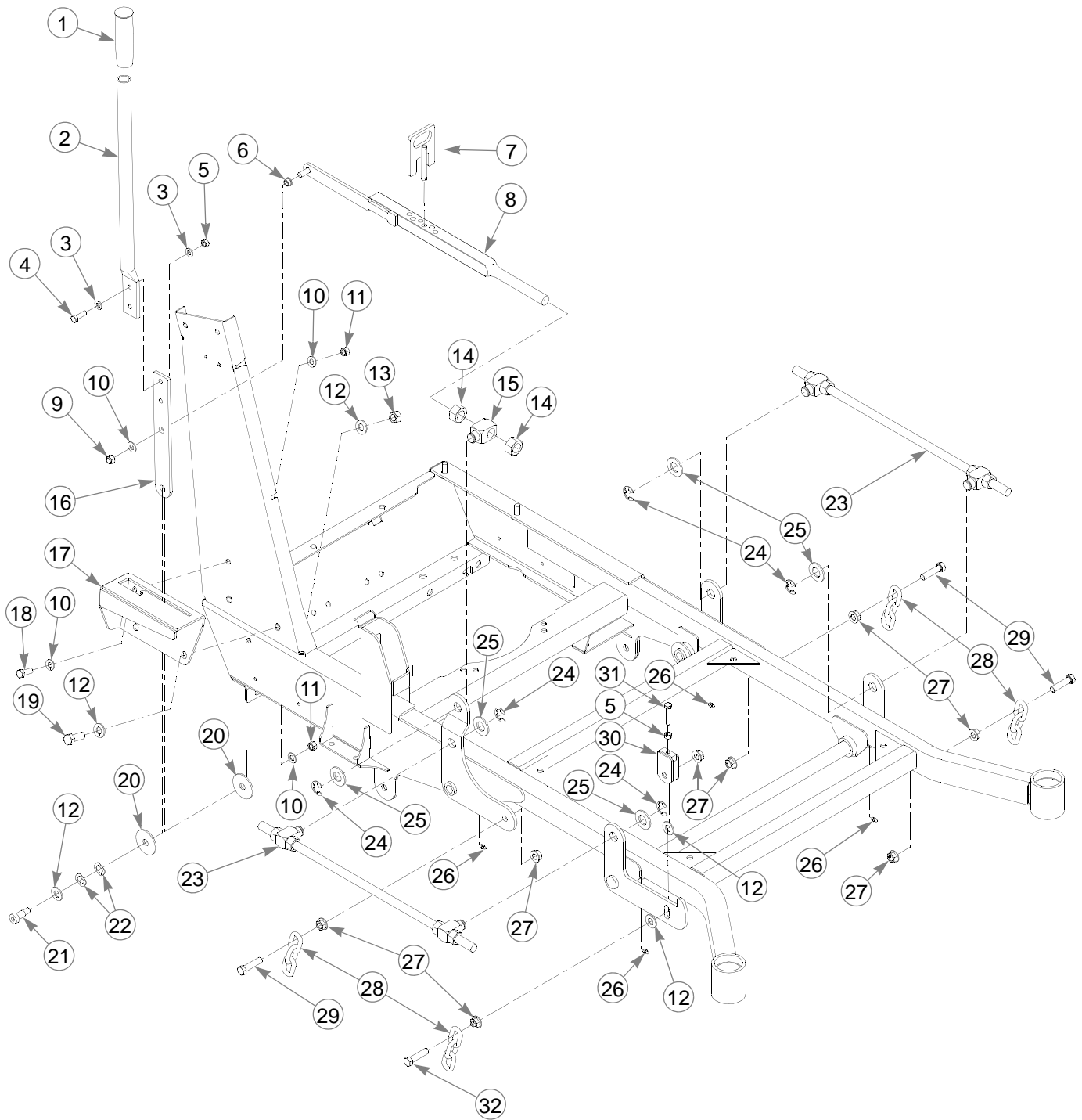
3. Torque to 17 ft-lbs.
4. Service parts available for the transaxles:

PART NUMBER	DESCRIPTION	PART NUMBER	DESCRIPTION
600767	OVERFLOW TANK CAP	601221	ZT2800 BRAKE ARM - 2007
600972	BRAKE ARM RETAINER CLIP	601433	4-BOLT HUB KIT SDFST
600974	RIGHT FILTER GUARD	602094	ZT2800 FAN/PULLEY KIT
600975	LEFT FILTER GUARD	602208	SPRING, EXTENSION RTN
600976	FILTER, OIL		

Section 3

Deck Lift and Installation	3-2
Cover Install.	3-6

Deck Lift and Installation

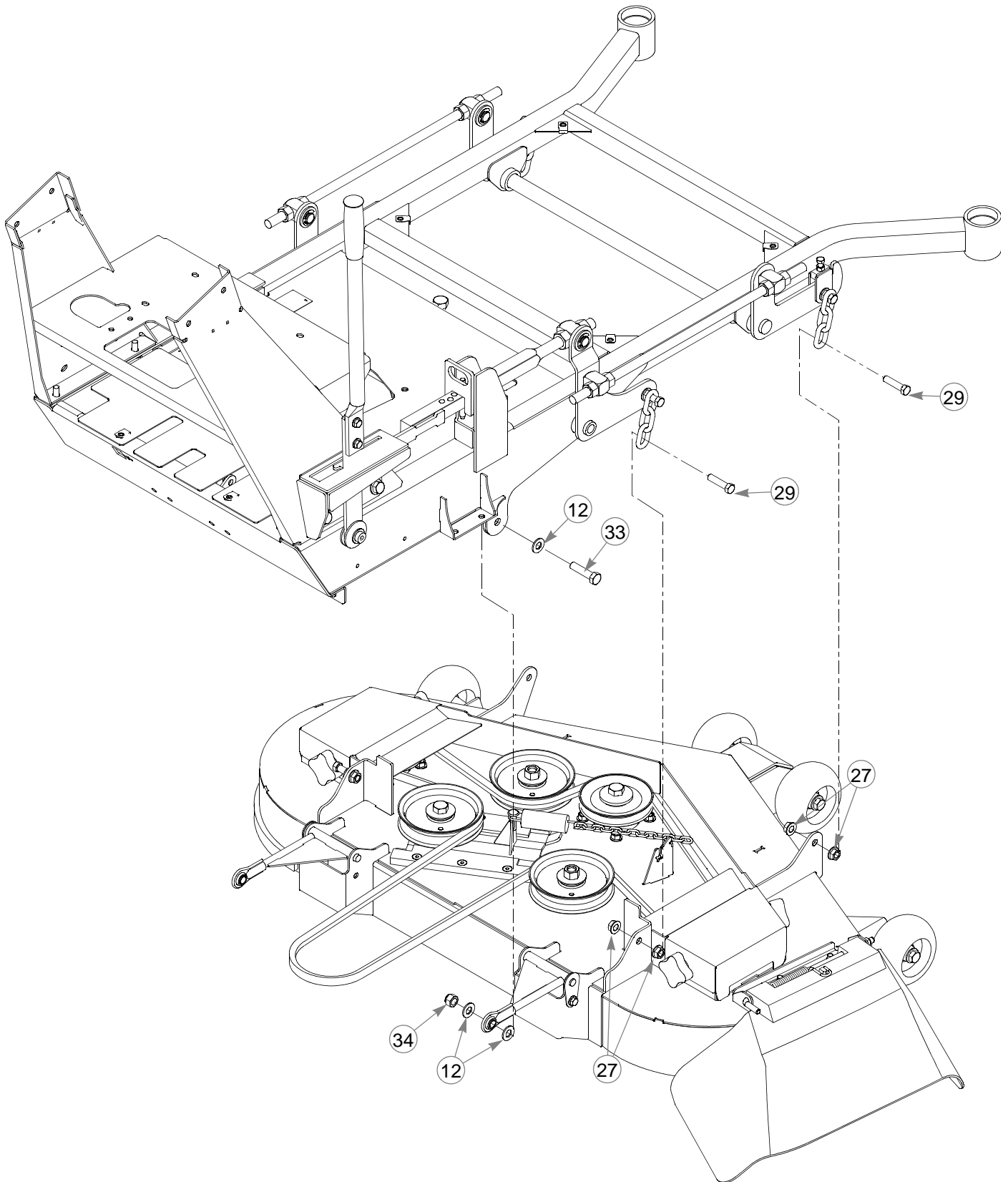


Deck Lift and Installation

INDEX NO.	PART NO.	QTY.	DESCRIPTION
1	792317	1	GRIP
2	110570	1	DECK LIFT HANDLE
3	768523	4	FW .343X.687X.051/.080H
4	036236	2	CS .312-18X1.000 HX G5
5	034272	3	NT .312-18 HX G5 ZNYC
6	765339	1	BUSHING
7	348284	1	STOP, HEIGHT ADJ
8	110529	1	DECK INDICATOR
9	086660	1	NT .375-16 HXZY NL
10	767954	4	FW .406X .812 X.060 SAE
11	054502	2	NT .375-16 HX GRD 5 ZNY
12	767962	13	FW .531X 1.063X.090 SAE
13	008193	2	NT .500-13 HX G5 ZNYC
14	008417	2	NT .750-10 HX G5 ZNYC
15	781930	1	BLOCK, DECK LIFT MT 3/4"
16	110530	1	LOWER HANDLE
17	550073	1	DECK LIFT COVER
18	036244	1	CS .375-16X1.000 HX G5
19	705954	2	CS .500-13X1.25 HX G5 Z
20	263517	2	BEARING DISC
21	728550	1	SB .50X.75SH .375-16TD
22	601953	2	WASHER, WAVY
23	601942	2	DECK LIFT ROD
24	781294	5	CLIP E, 1.00 X.625X .05
25	601681	5	FW .781X1.50X.120 ZNYC
26	015495	4	GREASE FITTING STRAIGHT
27	704643	16	NT .437-14 HX FLG ZN
28	360131	4	DECK LIFT CHAIN
29	055749	7	CS .437-14X1.750 HX G5
30	348458	1	YOKE, DECK LEVELER
31	756270	1	CS .312-18X1.50 FLTHR G
32	781831	1	CS .437-14X1.750 FULTH

NOTES:

Deck Lift and Installation

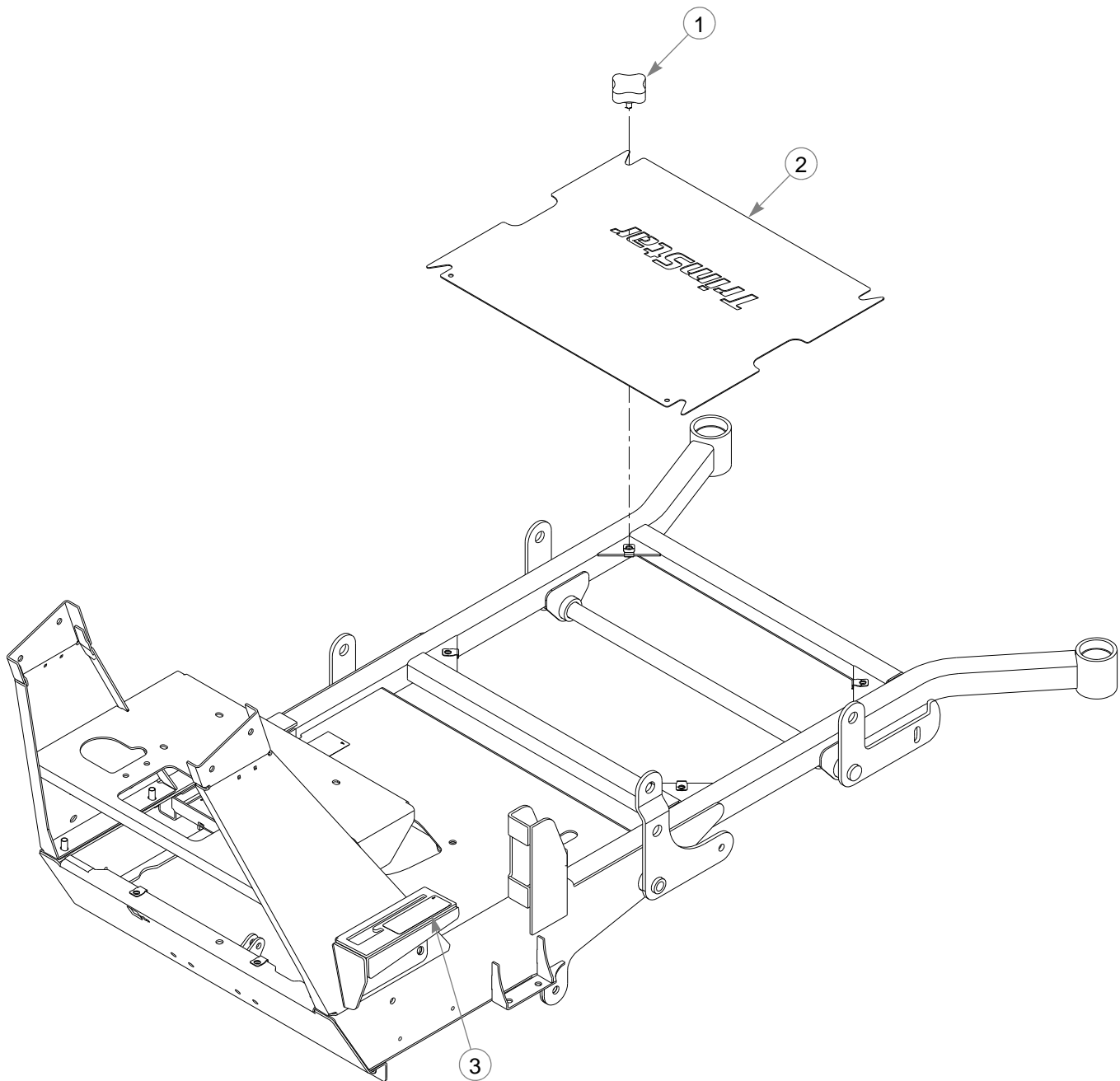


Deck Lift and Installation

INDEX NO.	SERVICE PART NO.	QTY.	DESCRIPTION
33	078949	2	CS .500-13X 2.00 GR ZN
34	781567	2	NT .50-13 HX LK NY

NOTES:

Cover Install



Cover Install

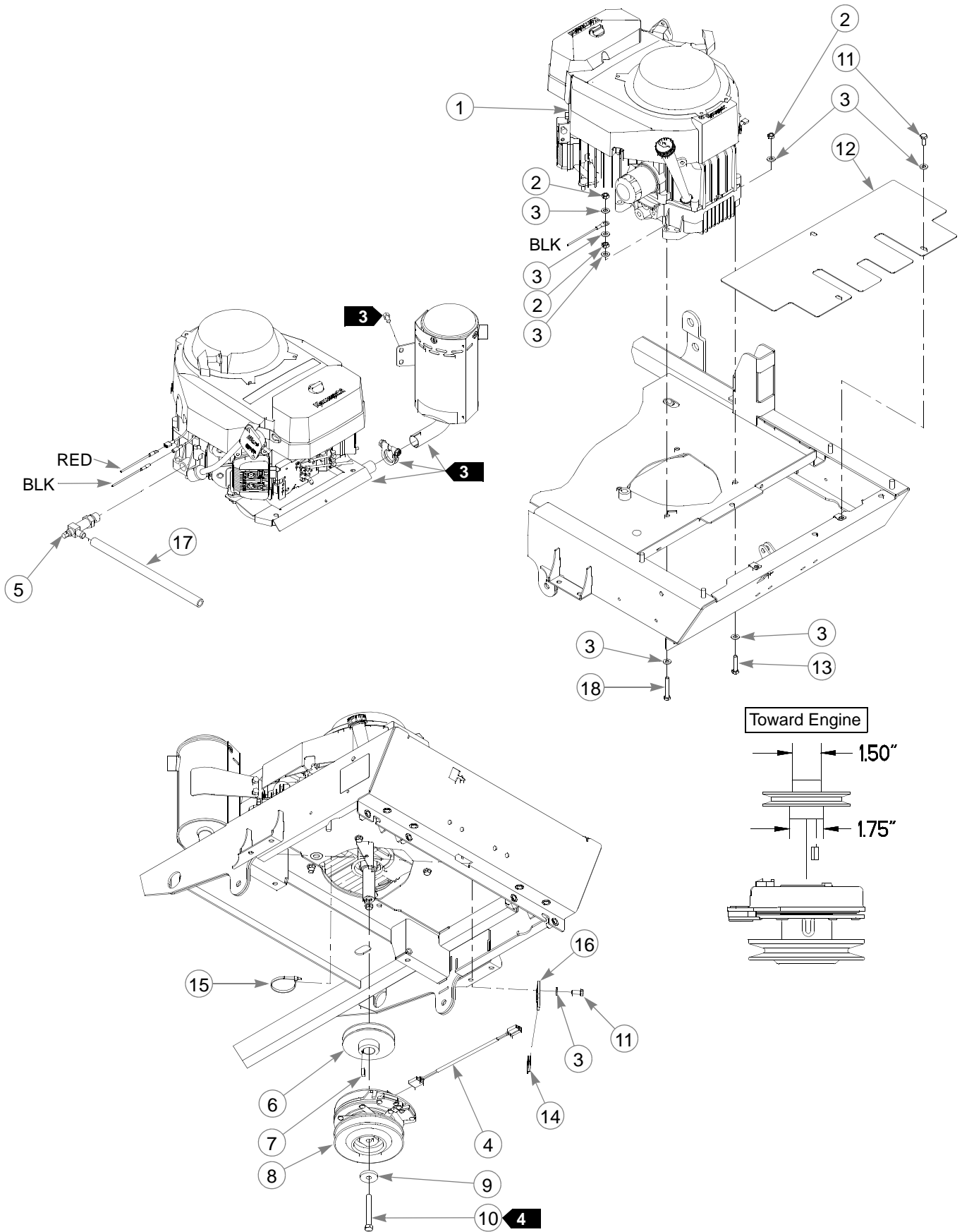
INDEX NO.	PART NO.	QTY.	DESCRIPTION
1	792002	4	KNOB,5/16-18 X 3/4"MALE
2	110608	1	DECK COVER 48/54 TS
3	602061	1	DECAL, DECK HEIGHT INDICATOR

NOTES:

Section 4

Engine 17HP, 19HP Kaw.	4-2
Engine Install, 23HP KAW ES	4-4
Fuel System Install	4-8
Instrument Panel	4-10
Instrument Panel	4-12
Instrument Panel	4-16
Throttle.	4-18
54" ES Console Assembly.	4-20
Electrical Schematic—601971.	4-26

Engine 17HP, 19HP Kaw



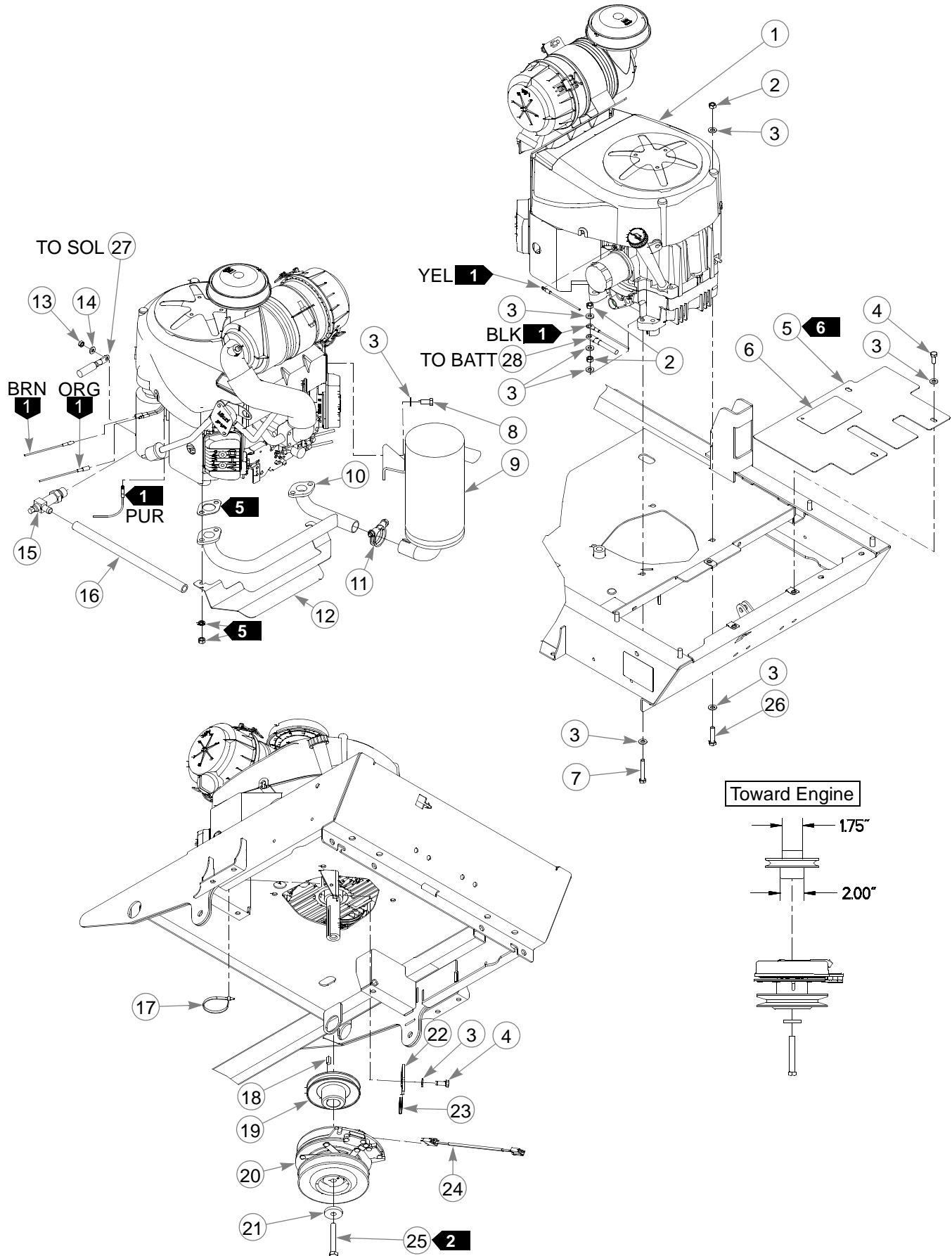
Engine 17HP, 19HP Kaw

	INDEX NO.	PART NO.	QTY.	DESCRIPTION
1	1	791350	1	ENGINE, KAWASAKI 17HP
2		601757	1	ENGINE, KAWASAKI 19HP
	2	034272	5	NT .312-18 HX G5 ZNYC
	3	768523	15	FW .343X.687X.051/.080H
	4	791251	1	HARNESS, CLUTCH PIGTAIL
	5	796524	1	VALVE,OIL DRAIN M20X2.5
	6	799429	1	PULLEY, A SEC, 4.5 OD
	7	712372	1	KEY 1/4 SQ X 0.66 LG(FS)
	8	601784	1	CLUTCH, WARNER TG2000
	9	763417	1	FW .454X1.50X.250
	10	601834	1	CS .437-20 X 3.25 HX G5
	11	034280	5	CS .312-18X .750 HX G5
	12	110759	1	PULLEY COVER, 48/54
	13	052837	3	CS .312-18X1.500 HX G5
	14	784918	1	BUMPER, RUBBER
	15	000331	1	WIRE TIE, SMALL
	16	111557	1	CLUTCH ANCHOR PLATE
	17	787713	1	HOSE, 0.50" LOW PRESSURE 13"
	18	064345	1	CS .312-18X2.000 HX G5

NOTES:

1. Used on 929240.
2. Used on 929265.
3. Items supplied with engine.
4. Torque to 45-48 ft-lbs. Replace (do not reuse) capscrew if removed or loosened. Use only hand tools to install this fastener.
5. Engine oil capacity:See engine owner's manual.
6. Engine speed: 3600±50 RPM.

Engine Install, 23HP KAW ES



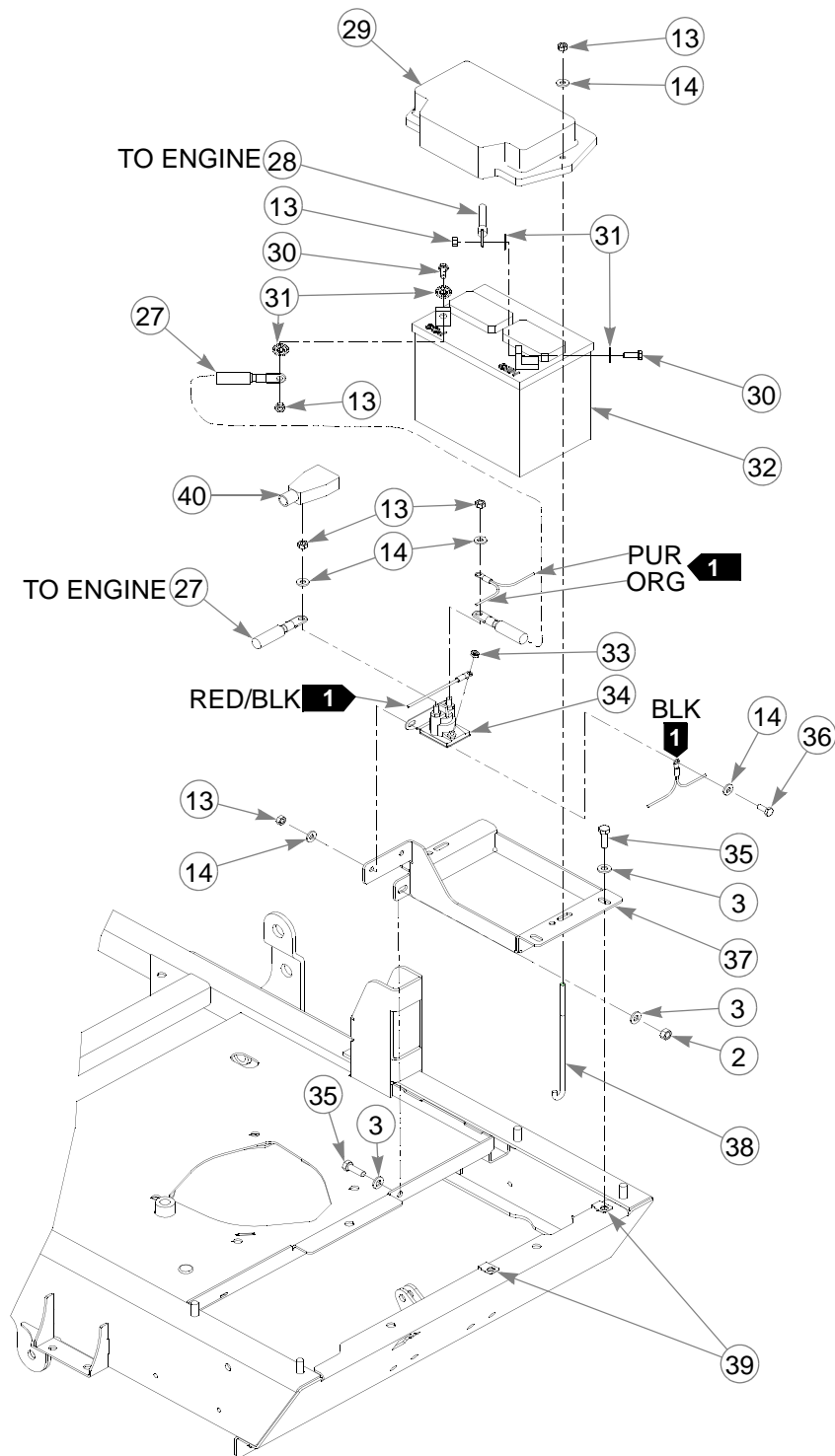
Engine Install, 23HP KAW ES

INDEX NO.	PART NO.	QTY.	DESCRIPTION
1	601277	1	ENG, KAW 23HP W/ HD AIR
2	034272	6	NT .312-18 HX G5 ZNYC
3	768523	21	FW .343X.687X.051/.080H
4	034280	5	CS .312-18X .750 HX G5
5	550191	1	ENGINE PLATE COVER
6	601815	1	DECAL, BATTERY
7	064345	1	CS .312-18X2.000 HX G5
8	720177	2	CS M 8-1.25X20 10.9HXFLZ
9	781724	1	MUFFLER, 23 HP KAW
10	781732	1	MANIFOLD,23 HP KAW
11	782649	1	KAW (23) CLAMP, EXHAUST
12	360693	1	HEAT SHIELD
13	024927	9	NT .250-20 HX GR.5 ZNYC
14	768515	9	FW .281X.625X.051/.080H
15	796524	1	VALVE,OIL DRAIN M20X2.5
16	787713	1	HOSE, 0.50" LOW PRESSURE, 13" LONG
17	000331	1	WIRE TIE, SMALL/SHORT
18	712372	1	KEY 1/4 SQ X 0.66 LG(FS)
19	783761	1	PULLEY
20	601785	1	CLUTCH, WARNER CMS200
21	763417	1	FW .454X1.50X.250
22	111557	1	CLUTCH ANCHOR PLATE
23	784918	1	BUMPER, RUBBER
24	791251	1	HARNESS, CLUTCH PIGTAIL
25	785048	1	CS .437-20X3.00 HX G5 Z
26	052837	3	CS .312-18X1.500 HX G5
27	792762	2	BATTERY CABLE, POS RED
28	780015	1	BATTERY CABLE, NEG BLK

NOTES:

1. Part of wiring harness.
2. Torque to 45-48 ft-lbs. Replace (do not reuse) capscrew if removed or loosened. Use only hand tools to install this fastener.
3. Engine oil capacity: See engine owner's manual.
4. Engine speed : 3600±50 RPM.
5. Items supplied with engine.
6. Item 5 includes item 6.

Engine Install, 23HP KAW ES

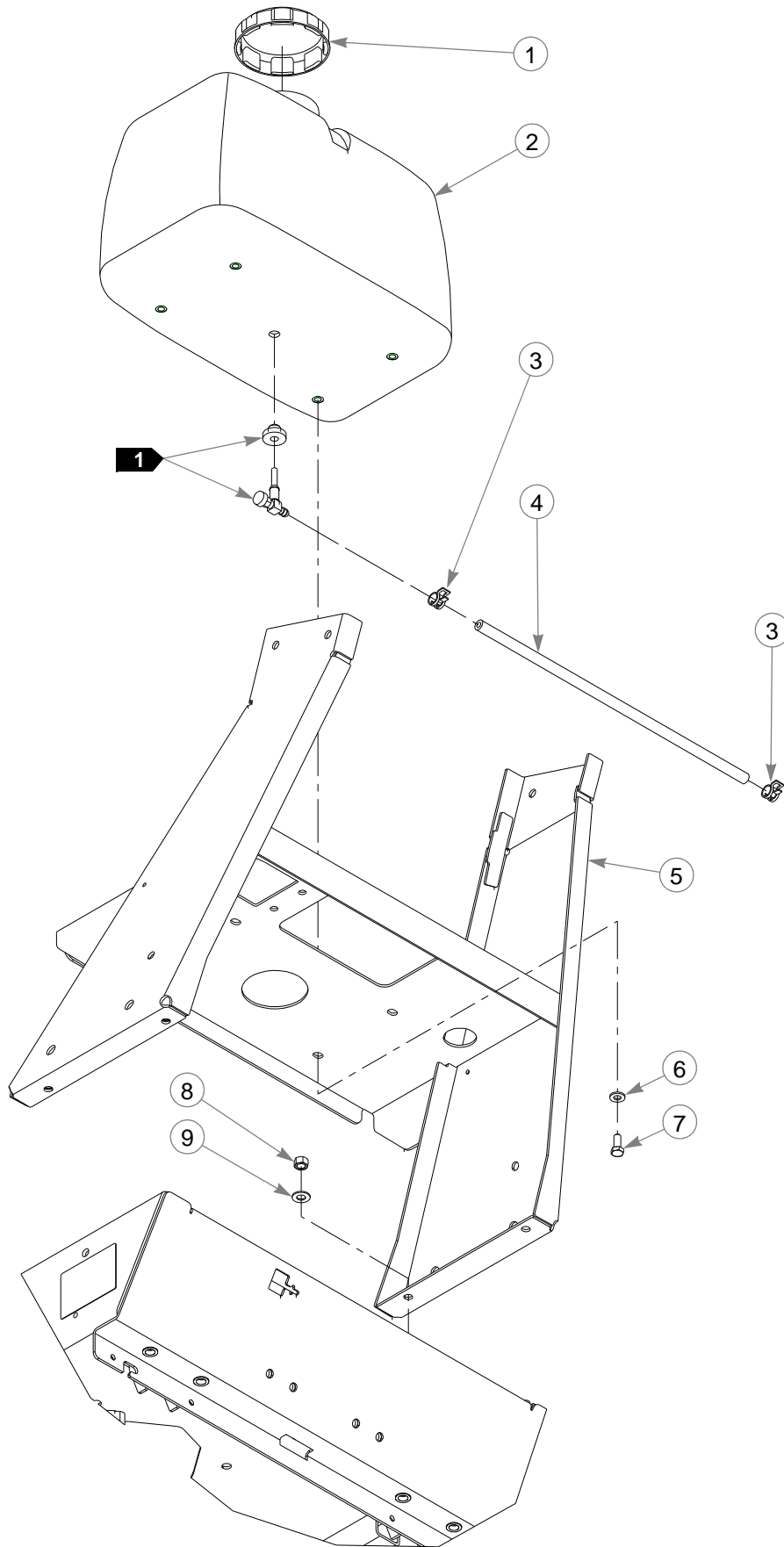


Engine Install, 23HP KAW ES

INDEX NO.	PART NO.	QTY.	DESCRIPTION
29	745166	1	BATTERY HOLD DOWN COVER
30	055939	2	CS .250-20X .750 HX G5
31	029868	4	LW .250 INT-EXT TOOTH Z
32	740696	1	BATTERY VU1LH-8
33	044255	1	NT #10-32 HX ZN
34	030817	1	STARTER SOLENOID HW KIT
35	036236	3	CS .312-18X1.000 HX G5
36	064329	2	CS .250-20X .625 HX G5
37	110865	1	BATTERY BOX
38	793489	2	BATTERY CLAMP ROD
39	601069	2	CN .312-18X.200 MAX THK
40	771428	1	BATTERY CBL BOOT-RED (FS)

NOTES:

Fuel System Install



Fuel System Install

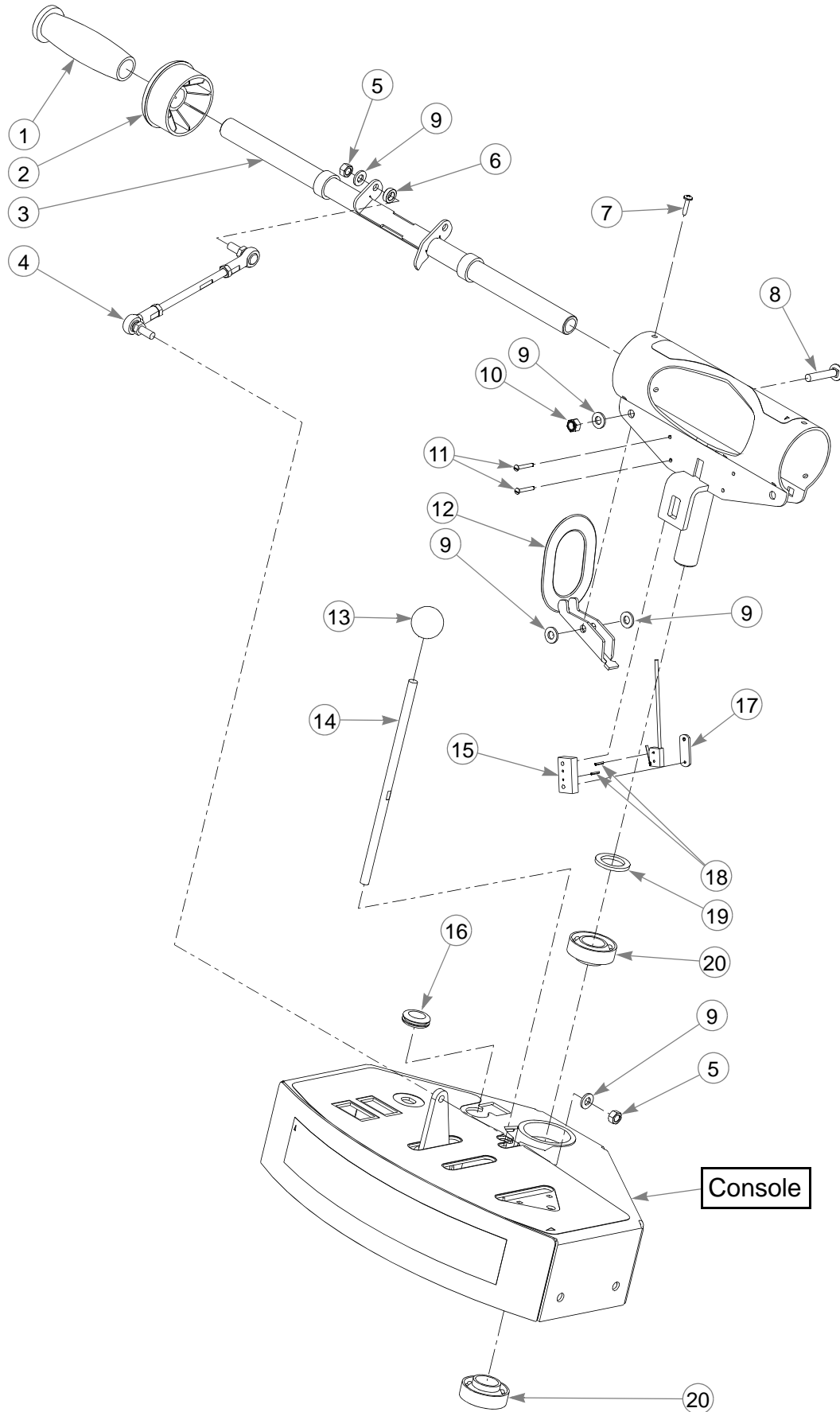
INDEX NO.	PART NO.	QTY.	DESCRIPTION
1	779306	1	FUEL CAP,3.5"
2	792044	1	FUEL TANK
3	000323	2	CLIP
4	015818	1	FUEL LINE 17"
5	110602	1	CONSOLE SUPPORT
6	768523	4	FW .343X.687X.051/.080H
7	034280	4	CS .312-18X .750 HX G5
8	054502	4	NT .375-16 HX GRD 5 ZNY
9	767954	4	FW .406X .812 X.060 SAE

NOTES:

1. Valve and grommet included with new fuel tank.
2. Service parts available for the fuel tank:

PART NUMBER	DESCRIPTION	PART NUMBER	DESCRIPTION
785295	FLANGE GROMMET	783944	FUEL SHUT-OFF VALVE

Instrument Panel

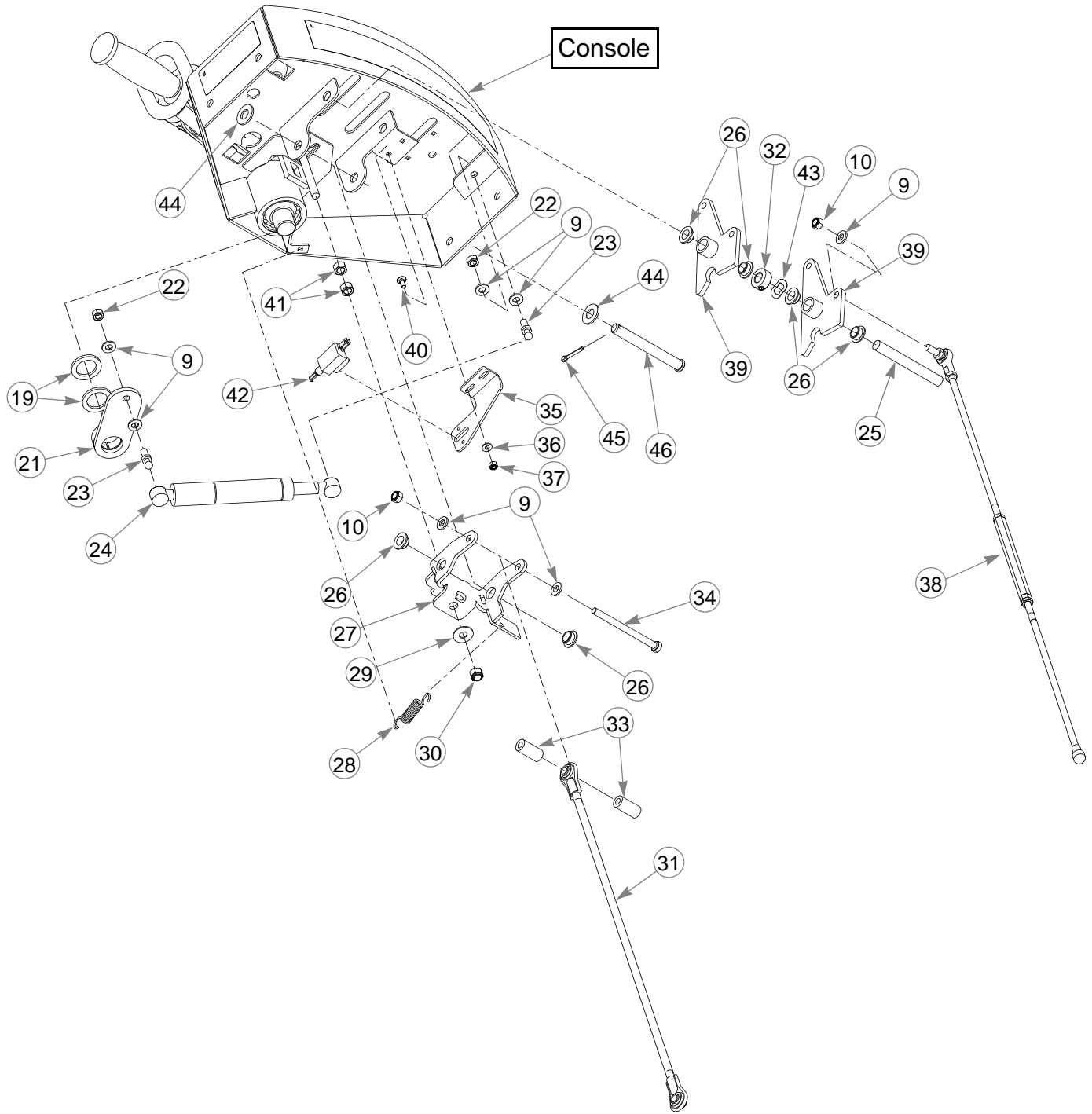


Instrument Panel

INDEX NO.	PART NO.	QTY.	DESCRIPTION
1	771139	2	GRIP, .875 X 4.562 BLK
2	773556	2	BEARING, STEERING
3	110766	1	STEERING BAR
4	785766	2	STEERING ROD, ADJUSTER
5	041152	4	NT .312-24 HX ZNYC
6	601839	2	PIVOT SPACER BUSHING
7	769299	6	SC #10 X.750 PHILLIPS T
8	779157	2	CB .312-18X 1.750 SHTNK
9	768523	18	FW .343X.687X.051/.080H
10	058776	5	NT .312-18 HXZY NL
11	077842	4	MS # 6-32 X1.000 RD SL
12	341826	2	ARM
13	043299	1	KNOB,1.31RD .375-16X50
14	110645	1	NEUTRAL LOCK HANDLE ROD
15	342378	2	SPACER, SWITCH WB
16	047456	1	GM .750X.188X1.00X.12
17	039693	2	WN #6-32 X 1.00 TP 1116
18	779165	4	RP .078X .50 LONG ZN
19	045765	3	FW 1.030X 1.500X.134 ZN
20	784223	2	BEARING

NOTES:

Instrument Panel



Instrument Panel

INDEX NO.	SERVICE PART NO.	QTY.	DESCRIPTION
21	314351	1	ARM W/AM WB DAMPNER
22	034272	2	NT .312-18 HX G5 ZNYC
23	781922	2	BALL STUD, DAMPER
24	788349	1	DAMPER, CENTERING
25	305086	1	PIVOT PIN
26	768259	6	BUSHING,IGUS#0810
27	110932	1	NEUTRAL LOCK YOKE
28	034652	1	SPRING 2.5
29	076422	1	FW .406X 1.000X.06 ZNYC
30	086660	1	NT .375-16 HXZY NL
31	601798	1	BRAKE ROD ASSY
32	788554	1	LOCK COLLAR, .500X1.000
33	110647	2	NEUTRAL LOCK SPACER
34	785113	1	CS .312-18X4.250 HX G5
35	110646	1	NEUTRAL SWITCH BRKT
36	704932	2	FW .219X .500X.048 ZNYC
37	059832	2	NT #10-24 HX NL ZN
38	601952	2	PUMP ADJUSTMENT ROD
39	110639	2	BELLCRANK
40	601098	2	CB 10-24 X .500 ZYNC
41	054502	6	NT .375-16 HX GRD 5 ZNY
42	792374	1	SWITCH,PLUNGER SNAP MOUNT
43	601953	1	WAVY WASHER
44	767962	2	FW .531X 1.063X.090 SAE
45	017251	1	CP .156DX1.000 LG HML Z
46	073338	1	CE .500X4.50 .156X4.34

NOTES:

STEERING CONTROL ADJUSTMENT.

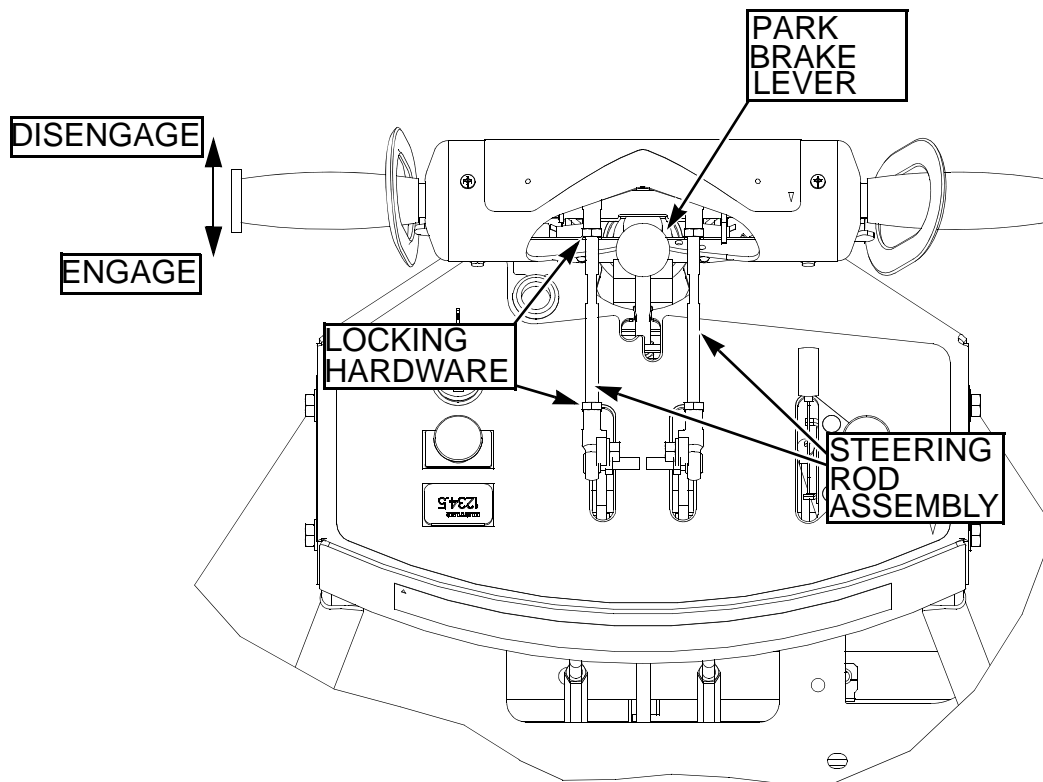


FIG. 1

NEUTRAL ADJUSTMENT

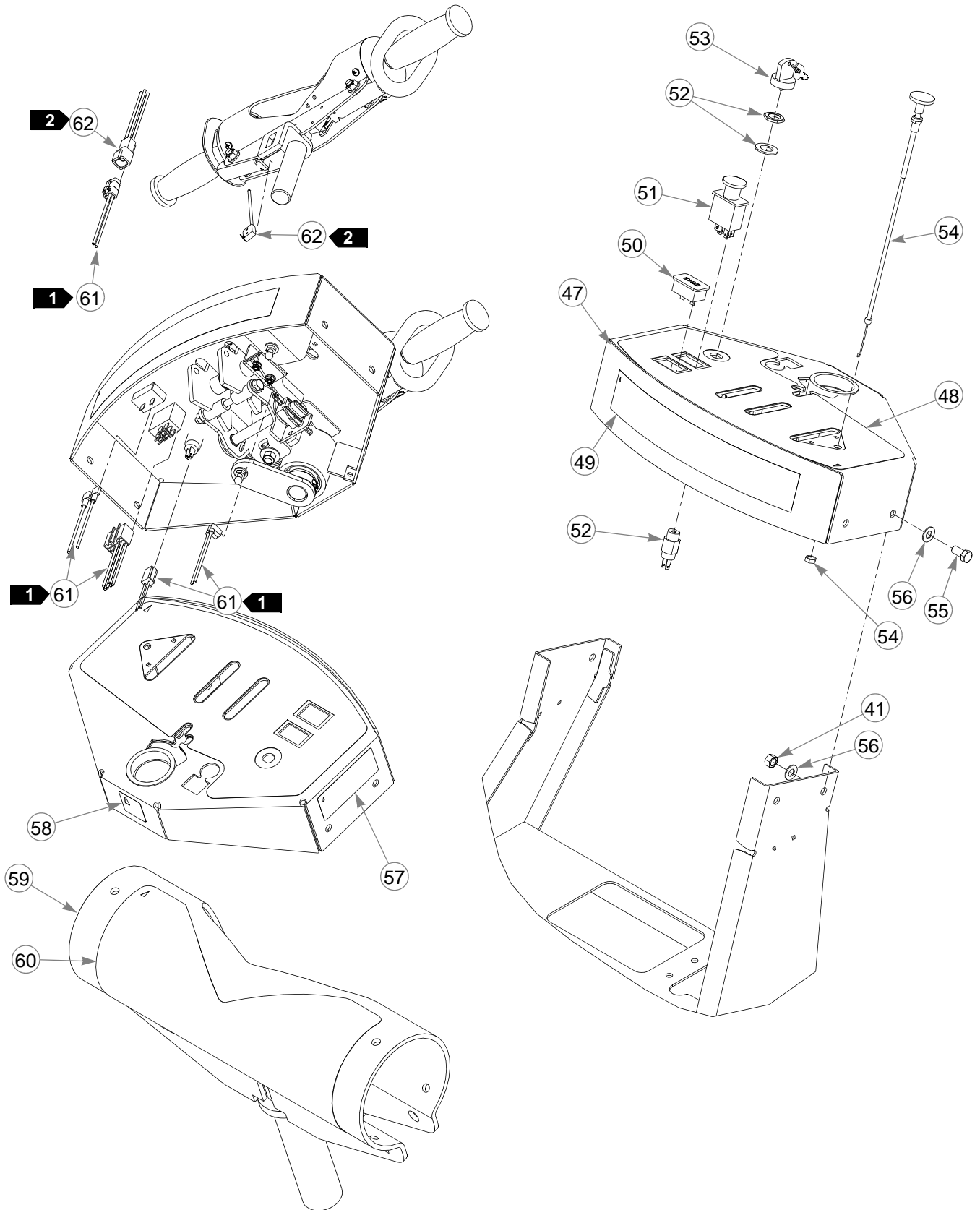
1. Remove brake link from lower brake bell crank.
2. With the mower on the assembly stand, place the H-bar lock in the run position with the engine running.
3. If rear wheels rotate forward or rearward, loosen the locking hardware on the turnbuckle assembly
4. Tighten or loosen the turnbuckle until rear wheel comes to a stop. Retighten locking hardware.
5. Neutral should now be set.
6. Release park brake.
7. With engine running, rotate H-Bar forward, and then into reverse.
8. Wheels should both return to neutral when H-Bar is pulled forward out of reverse. If not, repeat step 2-4 until they do. Return brake lever to park position and check to make sure wheels are not rotating.
9. If wheels rotate, repeat steps 1- 8.

DRIVE STRAIGHT LINKAGE ADJUSTMENT

1. With mower on assembly stand (wheels off the ground), and engine running, move park brake lever into drive position.
2. Check drive wheel rotation speed using contact tachometer.
3. Loosen the locking hardware on the top steering rod assembly on the side that is rotating slower.
4. Lengthen the steering rod assembly by rotating the center adjustment rod until both wheels are rotating at the same speed.
5. Tighten the locking hardware on the steering rod assembly and verify all locking hardware is tight.
6. Recheck wheel speed and repeat steps 3 through 5 as necessary.

This page intentionally left blank.

Instrument Panel



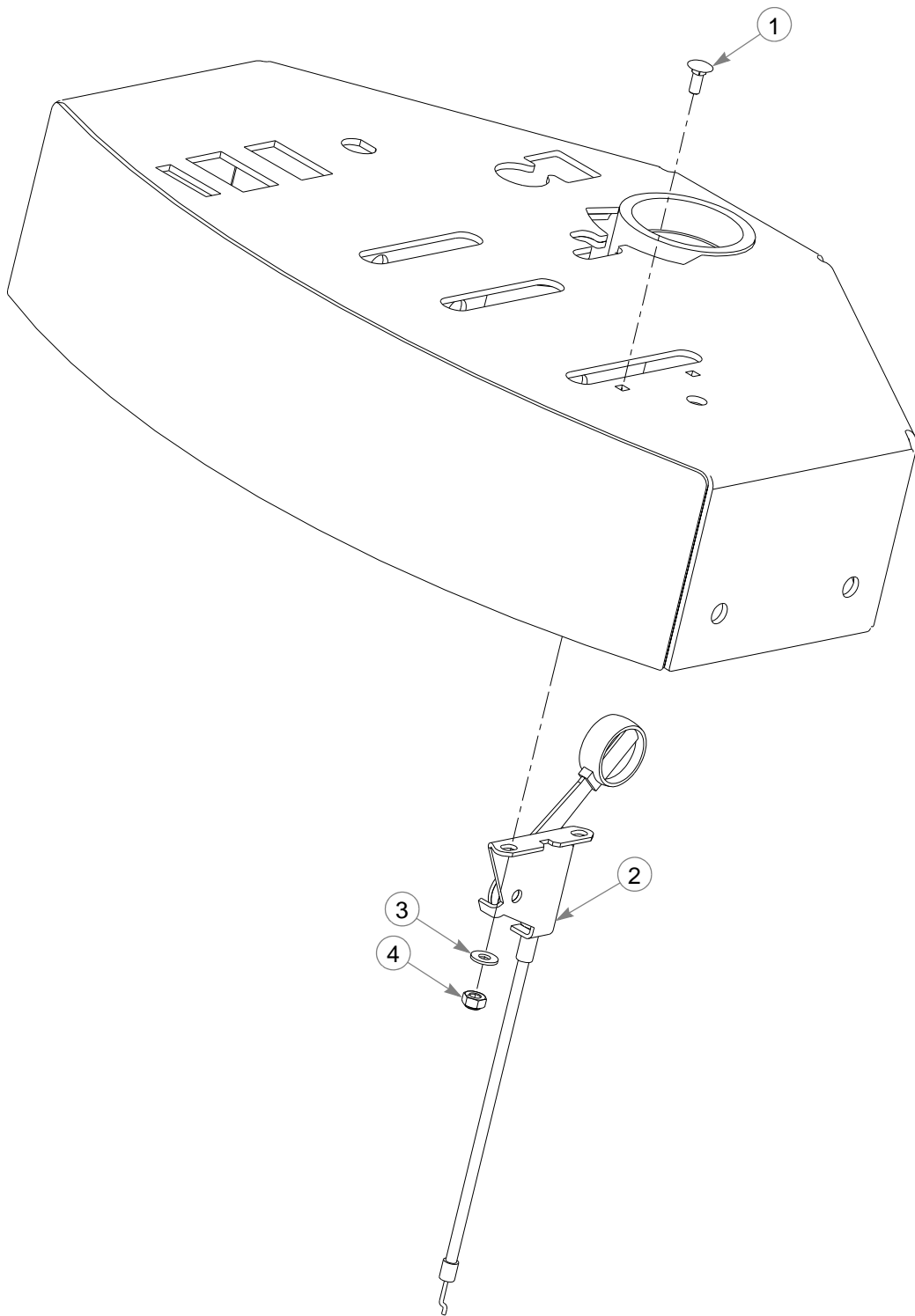
Instrument Panel

	INDEX NO.	PART NO.	QTY.	DESCRIPTION
3	47	550072	1	CONSOLE TS SERV ASSY
	48	601934	1	DECAL, TS INST PNL NO-ES
	49	788828	1	DECAL, TRIMSTAR ID
	50	769166	1	HOUR METER
	51	776476	1	SWITCH, PTO
	52	776518	1	IGN SWITCH
	53	785808	1	KEY ASSEMBLY
	54	601097	1	CABLE, CHOKE
	55	055822	4	CS .375-16X .750 HX G5
	56	767954	8	FW .406X .812 X.060 SAE
	57	601967	1	DECAL, ENGINE COMPART
	58	727172	1	DECAL 'MADE IN U.S.A.'
4	59	550071	1	H-BAR TS SERV ASSY
	60	771030	1	DECAL, H-BAR STEERING
	61	601970	1	WIRE HARNESS
	62	601972	1	WIRE HARNESS OPC

NOTES:

1. Part of 601970 (Wire Harness).
2. Part of 601972 (Wire Harness Operator Presence Control).
3. Item 47 includes (items 48, 49, 57 and 58).
4. Item 59 includes (item 60).

Throttle

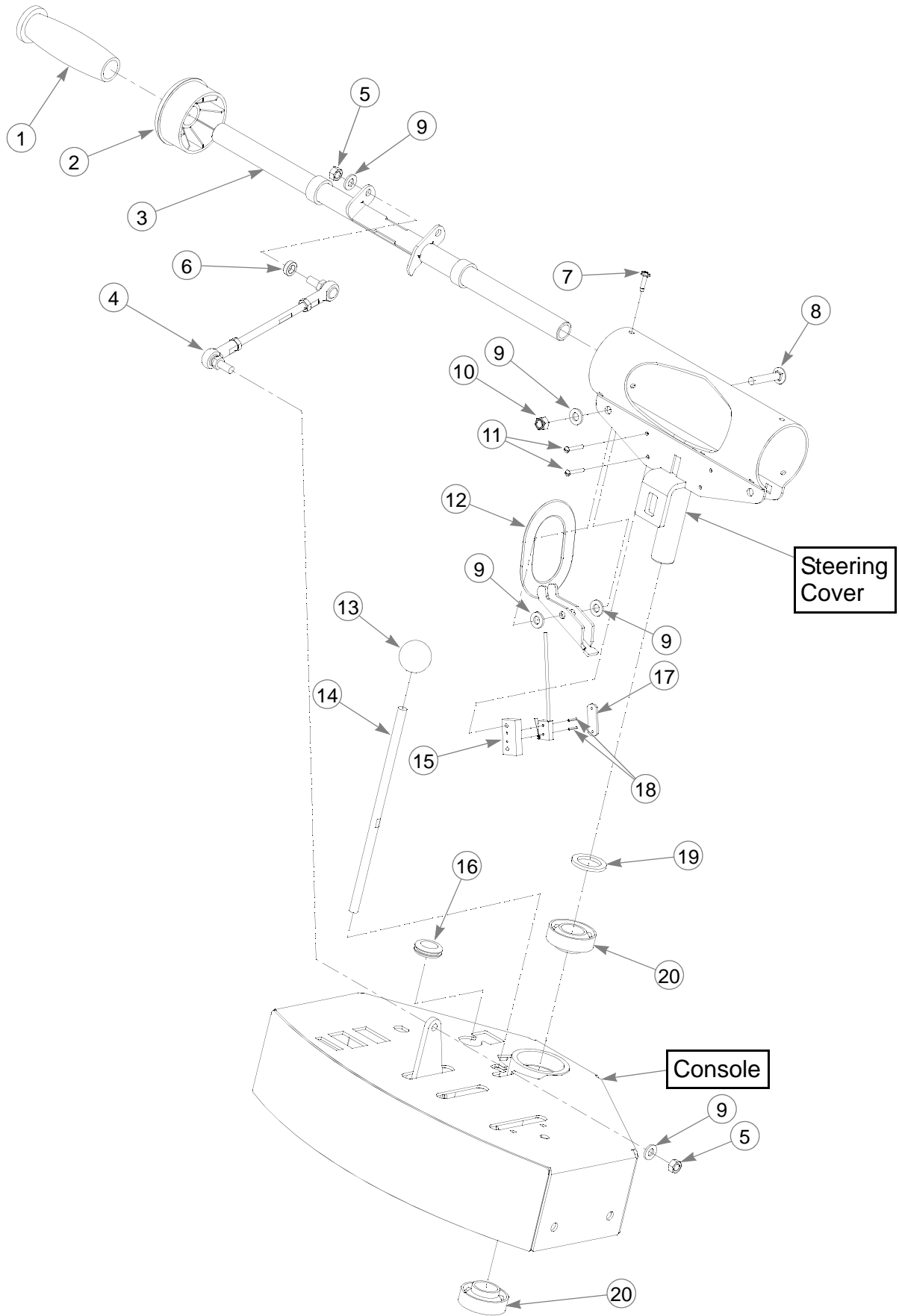


Throttle

INDEX NO.	PART NO.	QTY.	DESCRIPTION
1	601098	2	CB 10-24 X .500 ZYNC
2	778365	1	CABLE, THROTTLE
3	704932	2	FW .219X .500X.048 ZNYC
4	059832	2	NT #10-24 HX NL ZN

NOTES:

54" ES Console Assembly

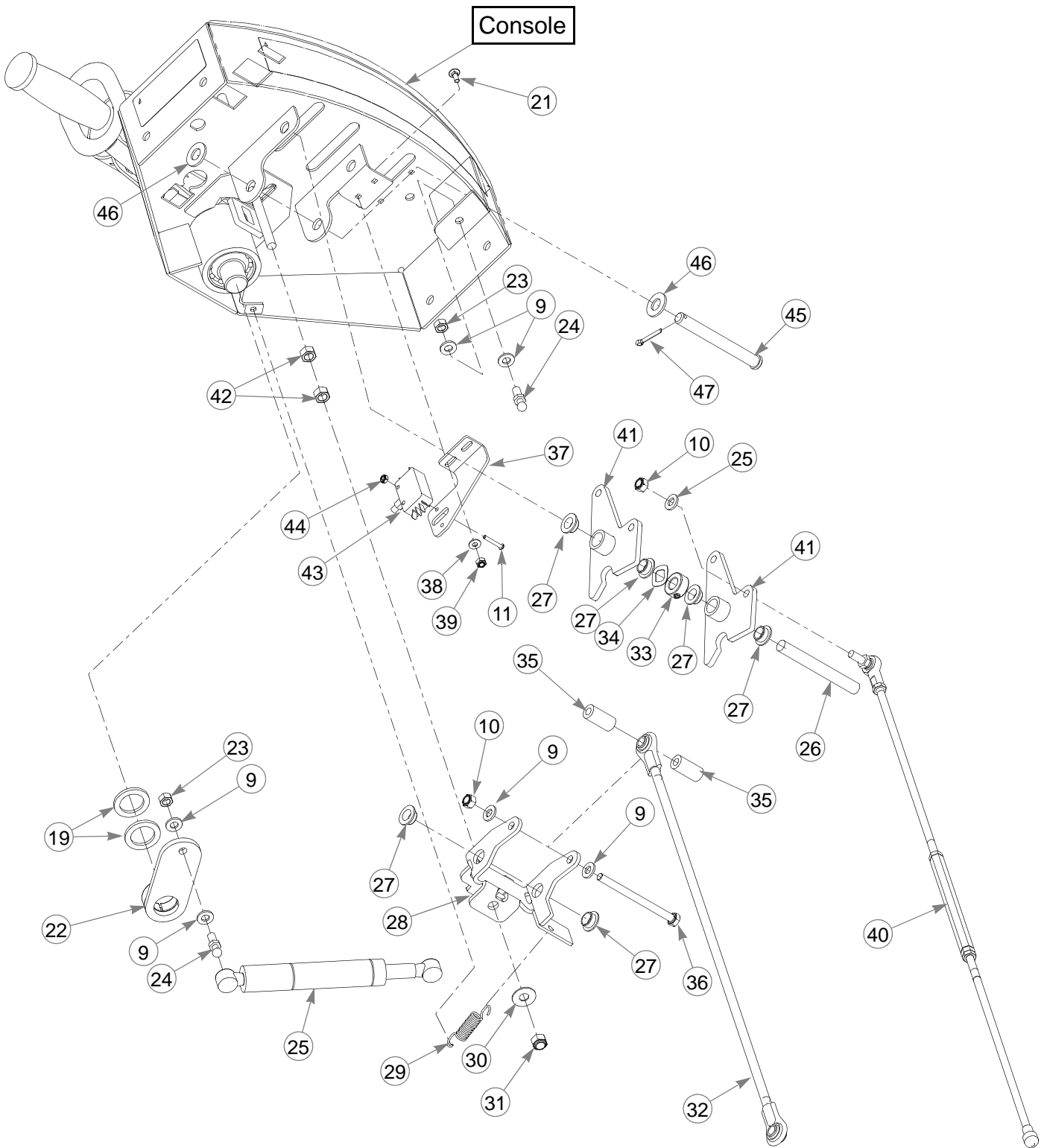


54" ES Console Assembly

INDEX NO.	PART NO.	QTY.	DESCRIPTION
1	771139	2	GRIP, .875 X 4.562 BLK
2	773556	2	BEARING, STEERING
3	110766	1	STEERING BAR
4	785766	2	STEERING ROD, ADJUSTER
5	041152	4	NT .312-24 HX ZNYC
6	601839	2	PIVOT SPACER BUSHING
7	769299	6	SC #10 X.750 PHILLIPS T
8	779157	2	CB .312-18X 1.750 SHTNK
9	768523	18	FW .343X.687X.051/.080H
10	058776	5	NT .312-18 HXZY NL
11	077842	6	MS # 6-32 X1.000 RD SL
12	341826	2	ARM
13	043299	1	KNOB,1.31RD .375-16X50
14	110645	1	NEUTRAL LOCK HANDLE ROD
15	342378	2	SPACER, SWITCH WB
16	047456	1	GM .750X.188X1.00X.12
17	039693	2	WN #6-32 X 1.00 TP 1116
18	779165	4	RP .078X .50 LONG ZN
19	045765	3	FW 1.030X 1.500X.134 ZN
20	784223	2	BEARING

NOTES:

54" ES Console Assembly

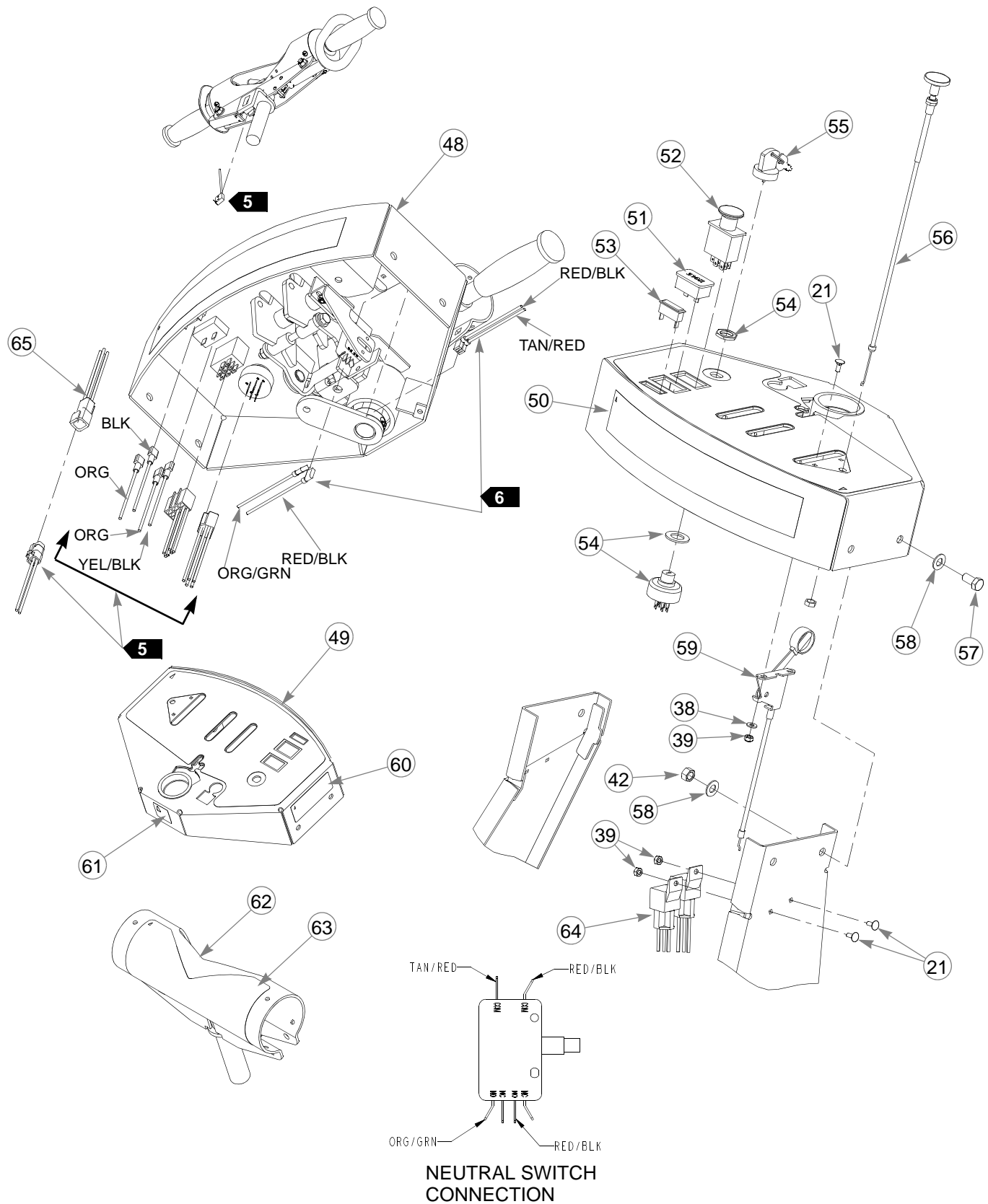


54" ES Console Assembly

INDEX NO.	SERVICE PART NO.	QTY.	DESCRIPTION
21	601098	6	CB 10-24 X .500 ZYNC
22	314351	1	ARM W/AM WB DAMPNER
23	034272	2	NT .312-18 HX G5 ZNYC
24	781922	2	BALL STUD, DAMPER
25	788349	1	DAMPER, CENTERING
26	305086	1	PIVOT PIN
27	768259	6	BUSHING,IGUS#0810
28	110932	1	NEUTRAL LOCK YOKE
29	034652	1	SPRING 2.5
30	076422	1	FW .406X 1.000X.06 ZNYC
31	086660	1	NT .375-16 HXZY NL
32	601798	1	BRAKE ROD ASSY
33	788554	1	LOCK COLLAR, .500X1.000
34	601953	1	WASHER, WAVY .558 X .005
35	110647	2	NEUTRAL LOCK SPACER
36	785113	1	CS .312-18X4.250 HX G5
37	110646	1	NEUTRAL SWITCH BRKT
38	704932	4	FW .219X .500X.048 ZNYC
39	059832	4	NT #10-24 HX NL ZN
40	601952	2	PUMP ADJUSTMENT ROD
41	110639	2	BELLCRANK
42	054502	6	NT .375-16 HX GRD 5 ZNY
43	023002	1	DOUBLE POLE SWITCH
44	055863	2	NT # 6-32 HX NL ZN
45	073338	1	CE .500X 4.50 .156 X 4.34
46	767962	2	FW .531 X 1.063 X.090 SAE
47	017251	1	CP .156DX1.000 LG HML Z

NOTES:

54" ES Console Assembly



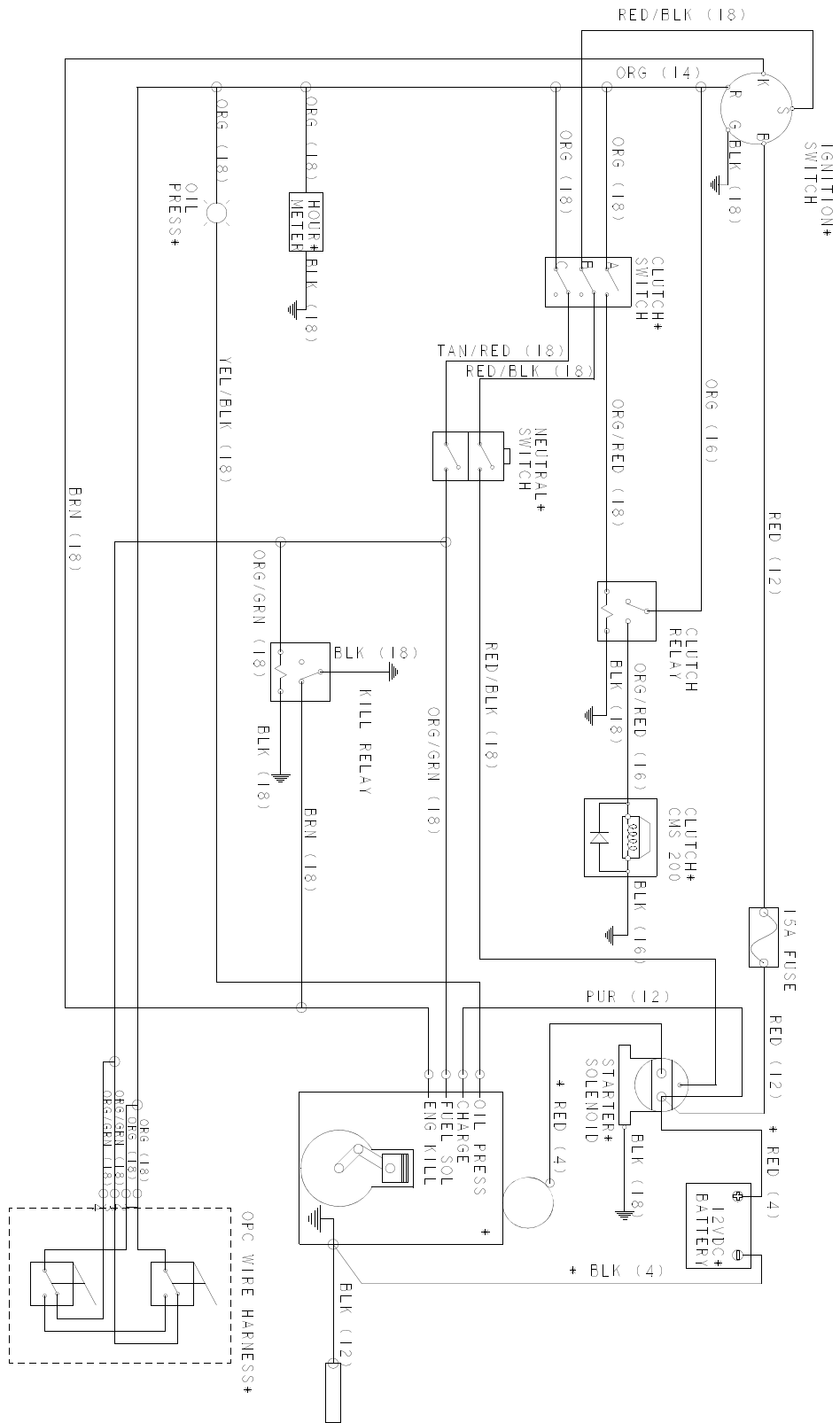
54" ES Console Assembly

INDEX NO.	PART NO.	QTY.	DESCRIPTION
7	48	1	CONSOLE TS SERV ASSY
	49	1	DECAL, TS INST PANEL
	50	1	DECAL, TRIMSTAR ID
	51	1	HOUR METER
	52	1	SWITCH, PTO
	53	1	INDICATOR LIGHT, RED(FS)
	54	1	IGN SWITCH
	55	1	KEY ASSEMBLY
	56	1	CABLE, CHOKE
	57	4	CS .375-16X .750 HX G5
	58	8	FW .406X .812 X.060 SAE
	59	1	CABLE, THROTTLE
	60	1	DECAL, ENGINE COMPART
	61	1	DECAL 'MADE IN U.S.A.'
8	62	1	H-BAR TS SERV ASSY
	63	1	DECAL, H-BAR STEERING
	64	1	WIRE HARNESS
	65	1	WIRE HARNESS OPC

NOTES:

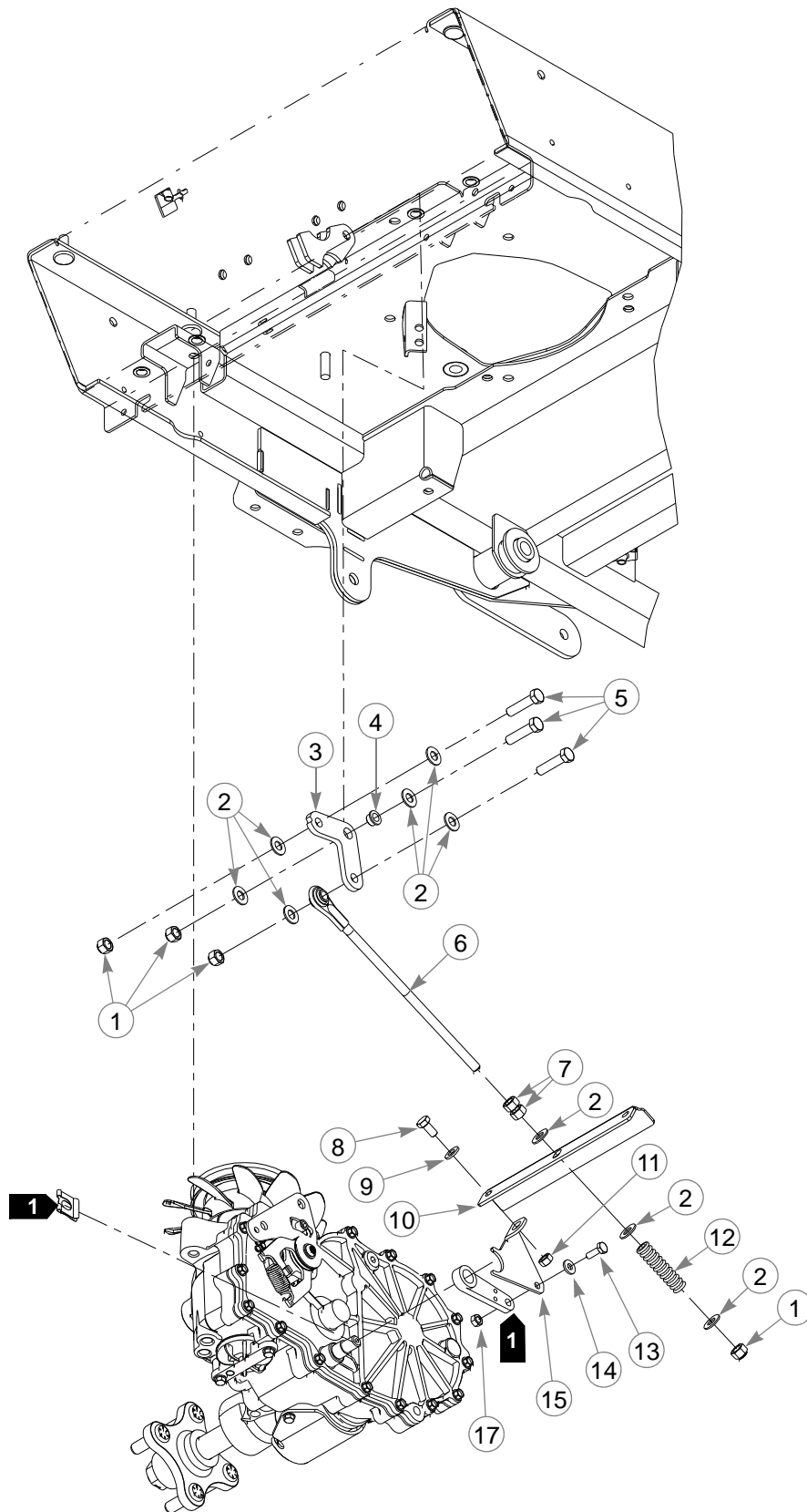
5. Part of 601971 (Wire Harness).
6. Part of 601972 (Wire Harness Operator Presence Control).
7. Item 48 includes (items 49, 50, 60, and 61).
8. Item 62 includes (item 63).

Electrical Schematic—601971



This page intetionally left blank.

Brake Install



Brake Install

INDEX NO.	PART NO.	QTY.	DESCRIPTION
1	086660	4	NT .375-16 HXZY NL
2	767954	9	FW .406X .812 X.060 SAE
3	110539	1	LOWER BRAKE BELLCRANK
4	765339	1	BUSHING,IGUS#0608 (FS)
5	080655	3	CS .375-16X1.500 HX G5
6	601710	1	LOWER BRAKE ROD ASSY
7	054502	2	NT .375-16 HX GRD 5 ZNY
8	064006	2	CS .312-18X .625 HX G5
9	768523	2	FW .343X.687X.051/.080H
10	110601	1	BRAKE PULL BRKT 48/54 TS
11	034272	2	NT .312-18 HX G5 ZNYC
12	784421	1	SPRING, BRAKE
13	055939	2	CS .250-20X .750 HX G5
14	768515	2	FW .281X.625X.051/.080H
15	109202	1	BRAKE SPRING LINK, LH
16	109203	1	BRAKE SPRING LINK, RH (NOT SHOWN)
17	024927	2	NT .250-20 HX GR.5 ZNYC

NOTES::

1. Items supplied with ZT2800 transmission.

PARK BRAKE ADJUSTMENT

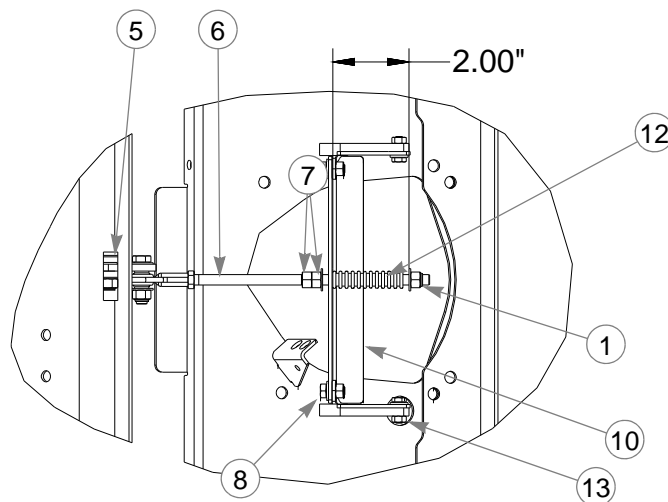


FIG. 2

1. Item 8 (064006) and 13 (055939), and associated hardware, should be loose. After final adjustments are made, tighten all the associated hardware.
2. Assemble item 7 (054502) nuts onto item 6 (601710) to the end of the threads on the brake link assembly. Leave these nuts loose at this time.
3. Place washer onto brake link, and slide through hole in item 10 (110601) Brake pull

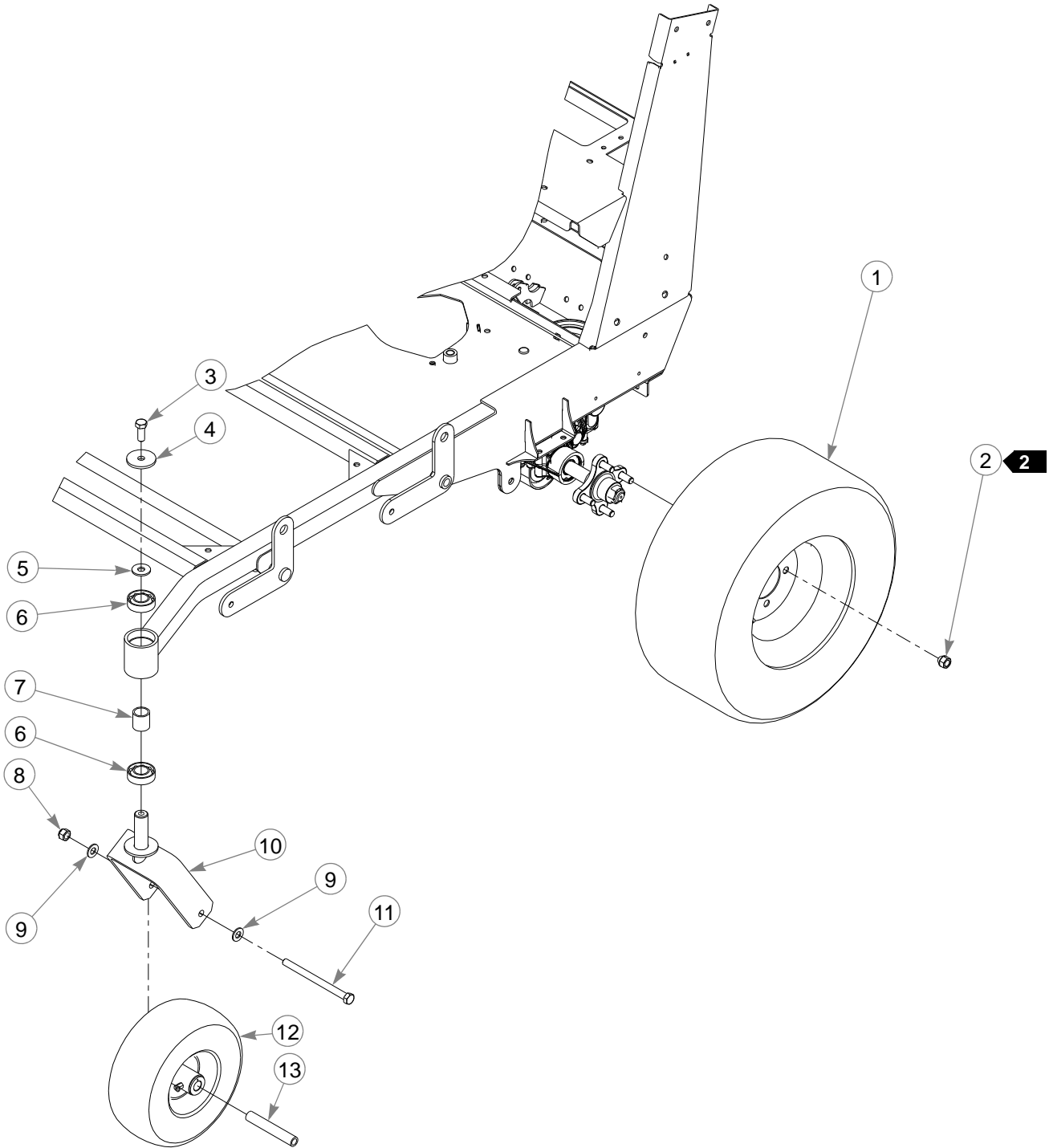
-
- bracket. Assemble item 6 (601710) brake link assembly onto brake item 3 (110539) bell crank.
4. Assemble remaining hardware and item 12 (784421) spring onto brake link. Install item 1 (086660) onto end of brake link (601710).
 5. Place the H-bar handle in the neutral position and the park brake lever in the engaged position.
 6. Tighten item 1 (086660) to the 2.00" dimension shown.
 7. Check engagement of internal park brake pawl by manually rotating transmission axle in both directions. If pawl is engaged, the axle should not rotate.
 8. Tighten item 8 (064006) on both sides of item 10 (110601) Brake pull bracket.
 9. Tighten item 13 (055939) on both sides.
 10. Adjust item 7 (054502) so that there is .30" between the washer and the FIRST nut. With two wrenches, tighten the second nut down to the first, maintaining the .30" dimension.
 11. Brakes are now set.
 12. Place the H-bar handle in the run position and the park brake lever in the disengaged position.
 13. The washer under the double jam nuts (item 7, 054502) should still be free to rotate, and have approximately .06" clearance. If not, readjust jam nuts to this dimension.
 14. With brakes still in the disengage/run position, verify that wheels rotate freely without brakes grabbing. If brakes are grabbing, adjust item 7 (054502) locking nuts closer to end of brake rod assembly until wheels rotate freely. Re-engage brake lever to ensure that brakes are set.
 15. Repeat engagement and disengagement as required to ensure that brakes are set in the engaged position, and are off in the run position.

NOTES:

Section 5

Tire Installation	5-2
Tire Assembly	5-4
Caster Wheel Assembly	5-5

Tire Installation



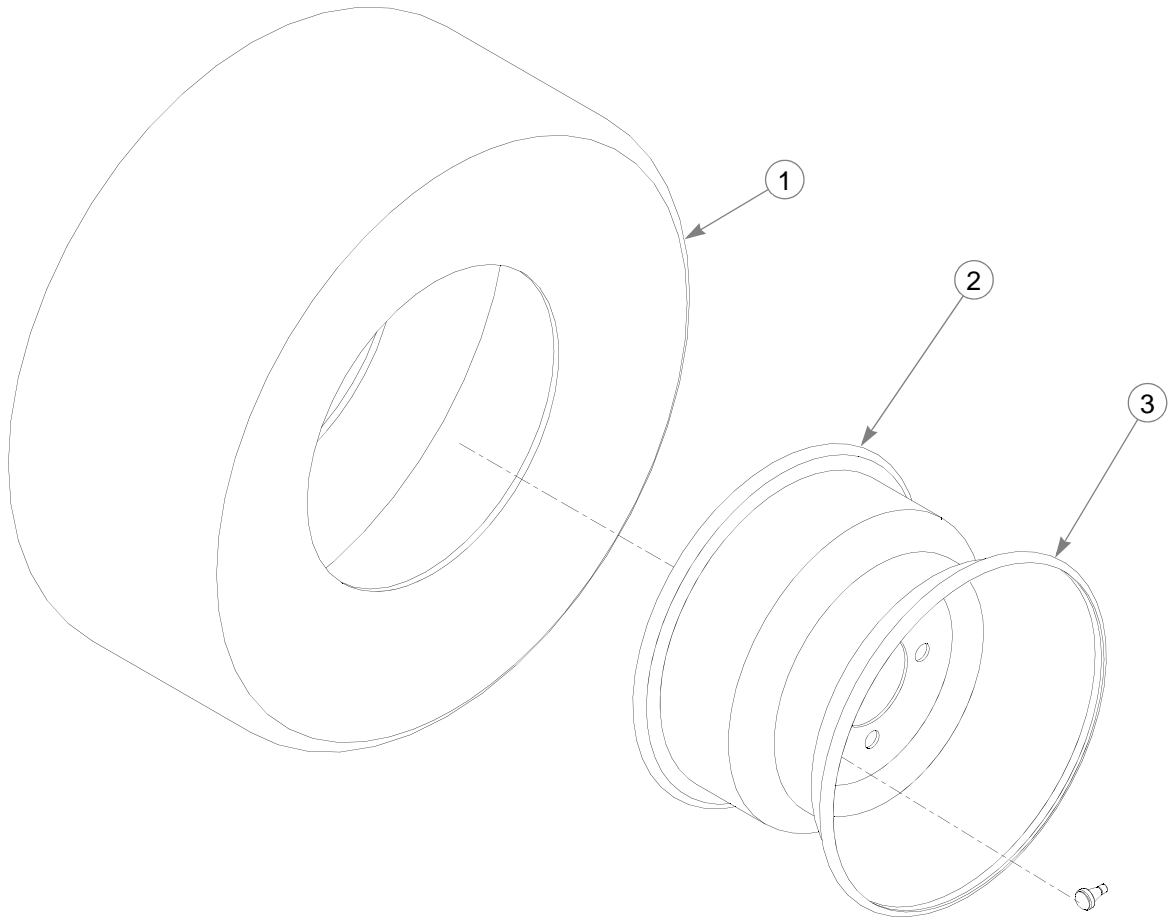
Tire Installation

INDEX NO.	PART NO.	QTY.	DESCRIPTION
1	600668	2	TIRE/WHEEL ASSY
2	061077	8	WHEEL NUT
3	705954	2	CS .500-13X1.25 HX G5 Z
4	344267	2	FW .510X 2.15X.187 SPL
5	712976	2	FW .531X 1.375X.125 ZNY
6	784223	4	BEARING
7	784603	2	SPACER
8	781567	2	NT .50-13 HXZY NL
9	767962	4	FW .531X 1.063X.090 SAE
10	339689	2	CASTER FORK
11	042630	2	CS .500-13X6.50 HX G5 Z
12	788604	2	TIRE/WHEEL ASSY 11X4-5
13	306969	2	GAGE WHEEL SPACER

NOTES:

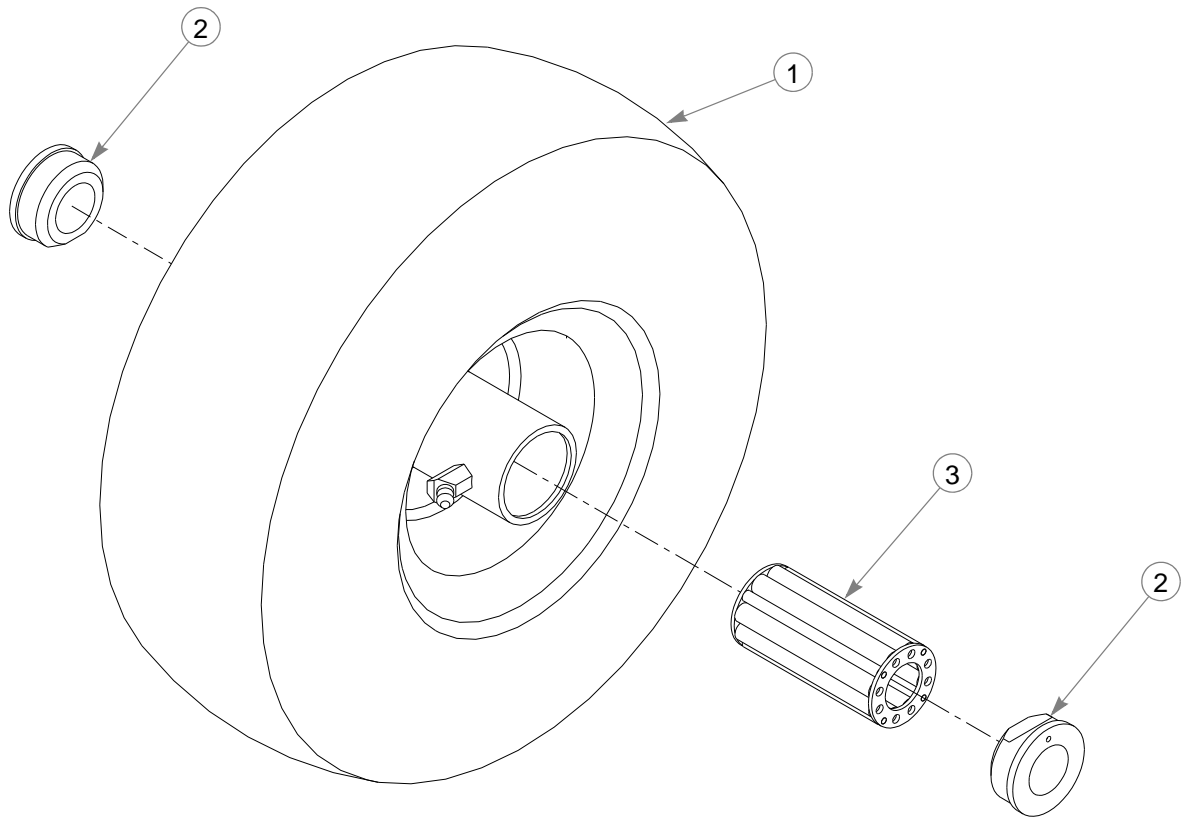
1. Apply grease to zerks (see owners manual).
2. Torque to 65-75 ft. lbs.
3. Inflate tires to 8-12 psi.

Tire Assembly



INDEX NO.	PART NO.	QTY.	DESCRIPTION
1	600684	2	TIRE 20X10-10
2	600700	2	WHEEL 10X7 RIM, 4-4BC
3	019521	2	TIRE VALVE TR-412

Caster Wheel Assembly



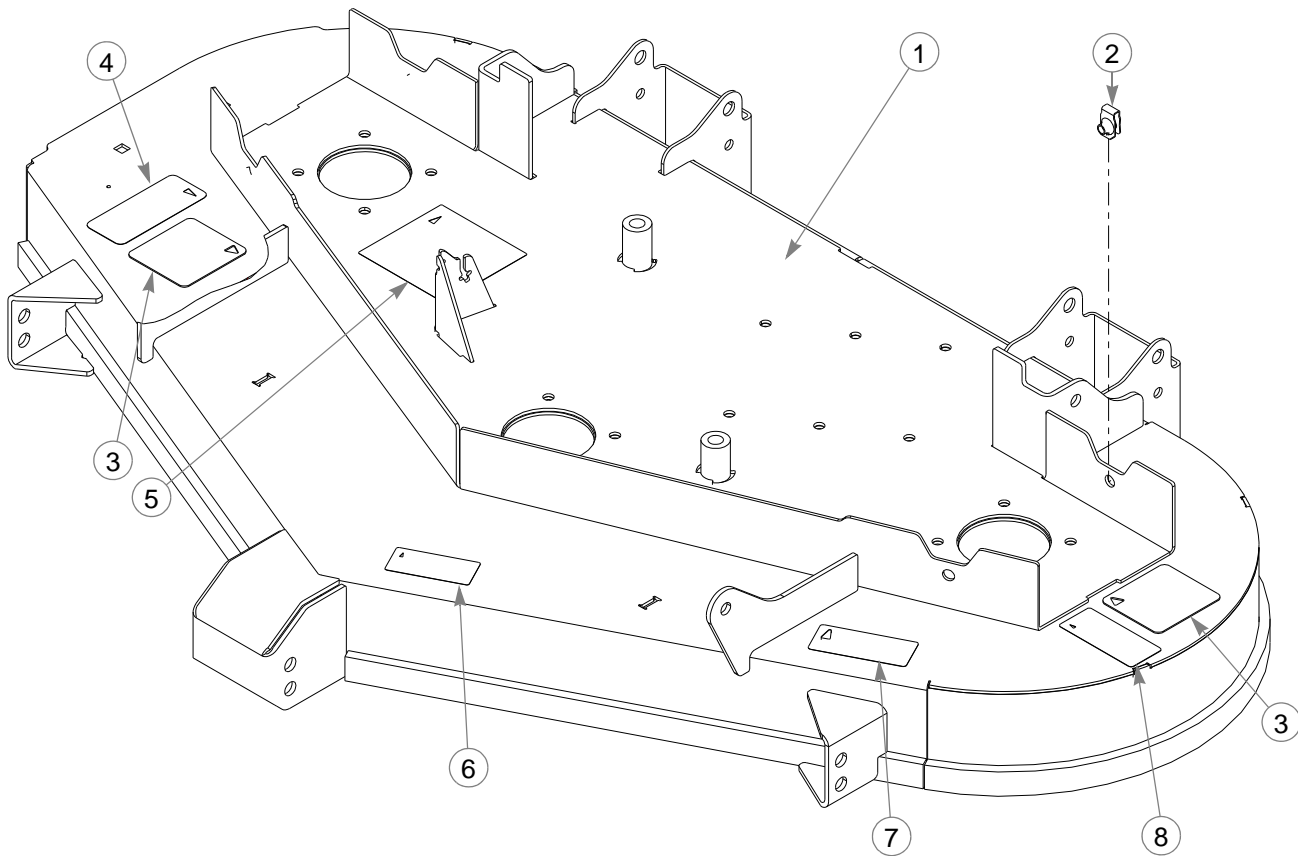
INDEX NO.	PART NO.	QTY.	DESCRIPTION
1	788604	1	TIRE/WHEEL ASSY 11X4-5
2	772806	2	BEARING CAP
3	772814	1	3/4" ROLLER BEARING

NOTES:

Section 6

Deck, Decal Assembly 48"	6-2
48" Deck Pulley Assembly	6-4
48" Deck Belt & Blade Assembly	6-6
48" Deck Belt Routing and Tensioning	6-9
Deck Decals, 54"	6-10
54" Deck Pulley Assembly	6-12
54" Deck Belt & Blade Assembly	6-14
54" Deck Belt Routing and Tensioning	6-17

Deck, Decal Assembly 48"



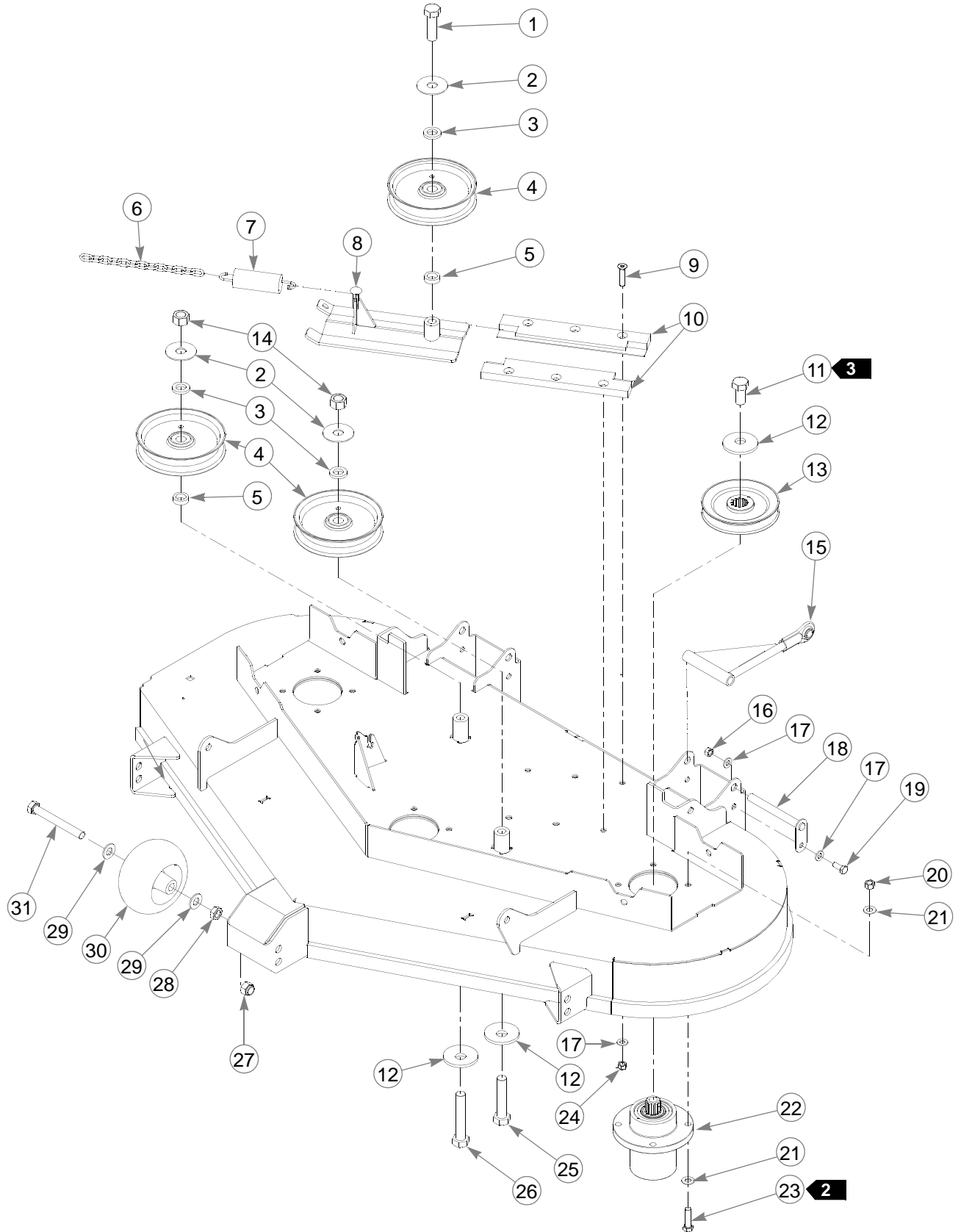
INDEX NO.	PART NO.	QTY.	DESCRIPTION
1	550230	1	48" DECK
2	601069	4	CN .312-18X.200 MAX THK
3	601787	2	DECK WARNINGS DECAL
4	601796	1	DISCHARGE CHUTE DECAL
5	781419CE	1	DECK BELT ROUTING DECAL
6	793976	1	48" DECK ID DECAL
7	797845	1	FUSION DECAL
8	601931	1	THROWN OBJECTS DECAL

NOTES:

1. Item 1 (550230) includes items 2 through 8.

This page intetionally left blank.

48" Deck Pulley Assembly



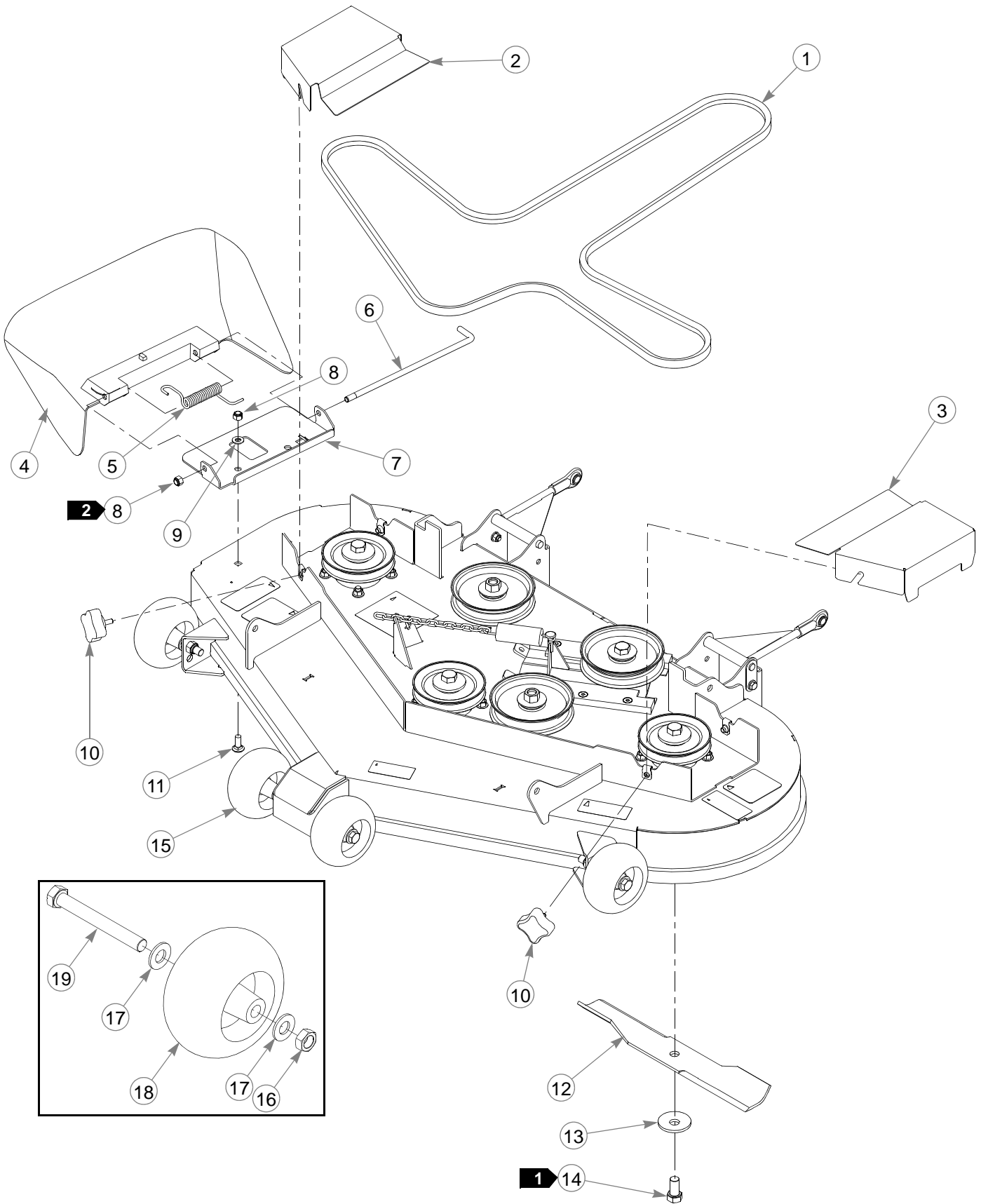
48" Deck Pulley Assembly

INDEX NO.	SERVICE PART NO.	QTY.	DESCRIPTION
1	025007	1	CS .625-11X1.750 HX G5
2	046821	3	FW .656X 2.00X.078 ZNYC
3	797449	3	FW .650X1.125X.18 ZNYCG5
4	781856	3	PULLEY, IDLER NHI 5.00"
5	600296	2	SPACER, DECK IDLER
6	259812	1	CHAIN DECK LIFT SPRING
7	036384	1	SPRING
8	105031	1	IDLER, DECK
9	797910	6	CS .312-18X1.50FLT SH ZY
10	601434	2	IDLER SLIDE, UHMW
11	781872	3	CS .625-11X1.25 HX G5 Z
12	782474	5	CW .631 2.250X .187 PNT
13	792689	3	PULLEY 5.00"OD
14	016972	2	NT .625-11 HX G5 ZNYC
15	330225	2	PULLBAR
16	034272	2	NT .312-18 HX G5 ZNYC
17	768523	10	FW .343X.687X.051/.080H
18	322974	2	PULLBAR PIN
19	034280	2	CS .312-18X .750 HX G5
20	054502	12	NT .375-16 HX GRD 5 ZNY
21	767954	24	FW .406X .812 X.060 SAE
22	783506	3	BLADE SPINDLE ASSEMBLY
23	005116	12	CS .375-16X1.375 HX G5
24	058776	6	NT .312-18 HXZY NL
25	783738	1	CS .625-11X3.00 FULL HX
26	794875	1	CS .625-11 X 3.500 FLTHD
27	781567	4	NT .500-13 HX G8 ZY NL
28	053199	4	NT .500-13 HX JAM ZNYC
29	767962	8	FW .531X 1.063X.090 SAE
30	031997	4	ANTI-SCALP WHEEL
31	781708	4	CS .500-13X4.250 HX G5
1	788166	4	WHEEL ASSY, ANTI SCALP

NOTES:

1. Includes items 28 through 31.
2. Torque to 30 ft.- lbs.
3. Torque to 118ft.-lbs.

48" Deck Belt & Blade Assembly



48" Deck Belt & Blade Assembly

INDEX NO.	PART NO.	QTY.	DESCRIPTION
1	601969	1	BELT, B 122.00 EL
2	108149	1	PULLEY COVER RS 48"
3	108148	1	PULLEY COVER LS 48"
4	601806	1	DISCHARGE CHUTE
5	601824	1	TORSION SPRING
6	601843	1	CHUTE PIN
7	112448	1	CHUTE BRACKET
8	086660	3	NT .375-16 HXZY NL
9	767954	2	FW .406X .812 X.060 SAE
10	792002	4	KNOB,5/16-18 X 3/4"MALE
11	025395	2	CB .375-16X 1.00 STD CD
12	795757	3	BLADE, F16.50"-H-F-CW
13	782474	3	CW .631 2.250X .187 PNT
14	781872	3	CS .625-11X1.25 HX G5 Z
3	15	788166	1 ANTI SCALP WHEEL ASSY
16	053199	1	NT .500-13 HX JAM ZNYC
17	767962	2	FW .531X .8121.063 X.090 SAE HD ZN
18	031997	1	ANTI SCALP WHEEL
19	781708	1	CS .500-13 X 4.25 HX G5 ZNYC
4	20	056077	1 CS .250-20X1.000 HX G5
21	602192	1	SPACER, CHUTE STOP
22	768515	1	FW .281X.625X.051/.080H
23	068551	1	NT .250-20 HXZY NL
24	086660	1	NT .375-16 HXZY NL
25	767954	3	FW .406X.812X.060 SAE
26	110751	1	CHUTE MOUNT
27	058776	1	NT .312-18 HXZY NL
28	798918	1	CHUTE, RUBBER DISCHARGE
29	063297	1	SB .375X.500 SH .312-1

NOTES:

1. Torque to 118 ft. lbs.
2. Do not torque, Item 4 (Discharge Chute) must pivot freely.
3. Includes items 16 through 19.

4. Items 20-29 used on mowers with serial numbers prior to 10070596.

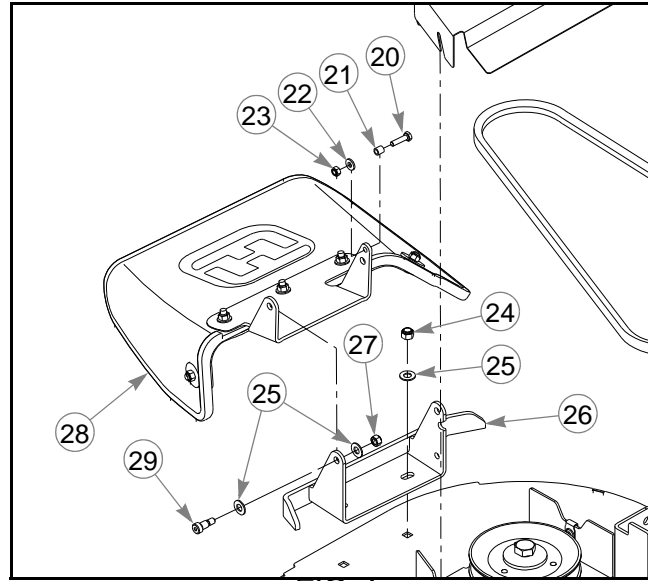
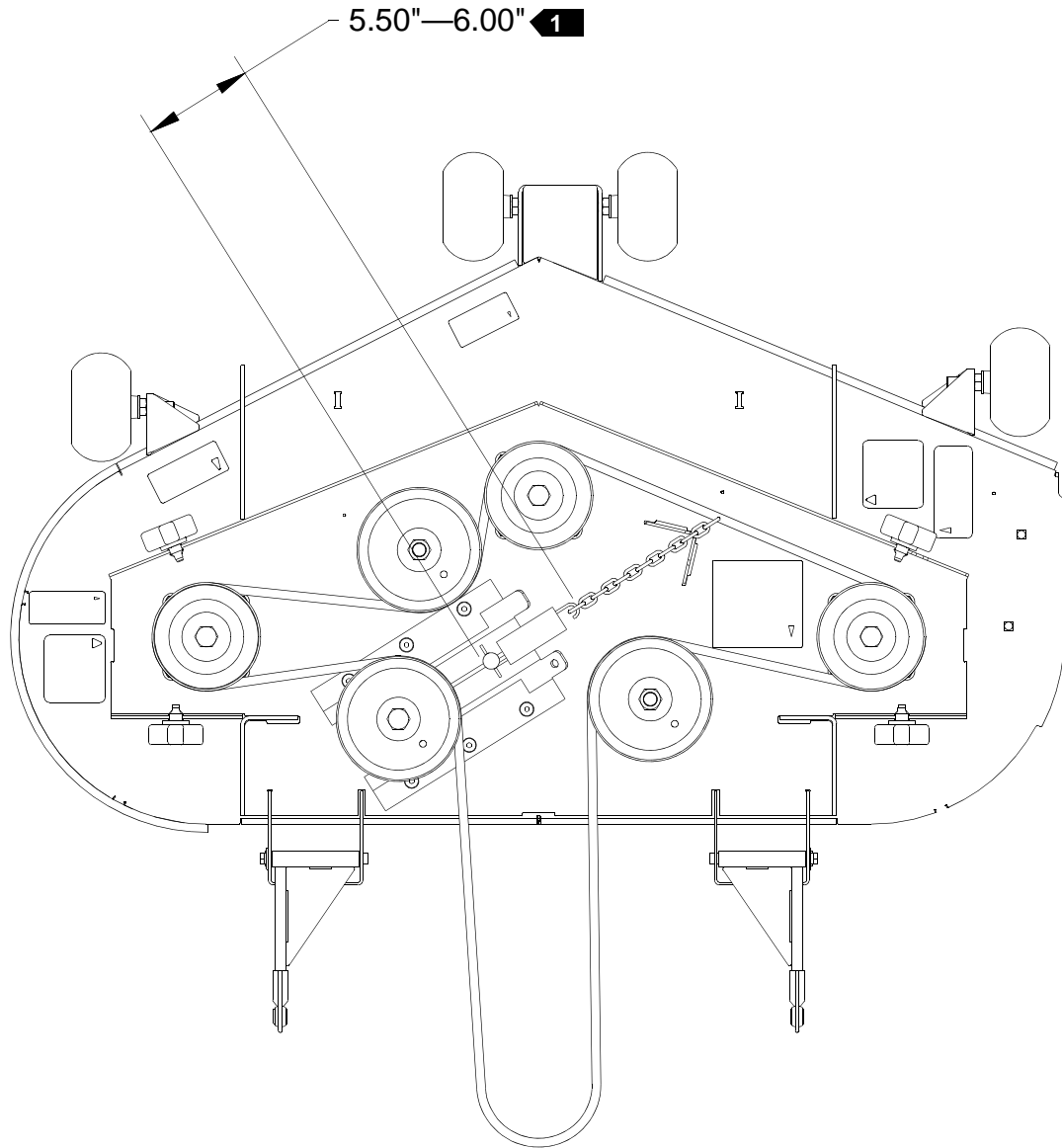


FIG. 1

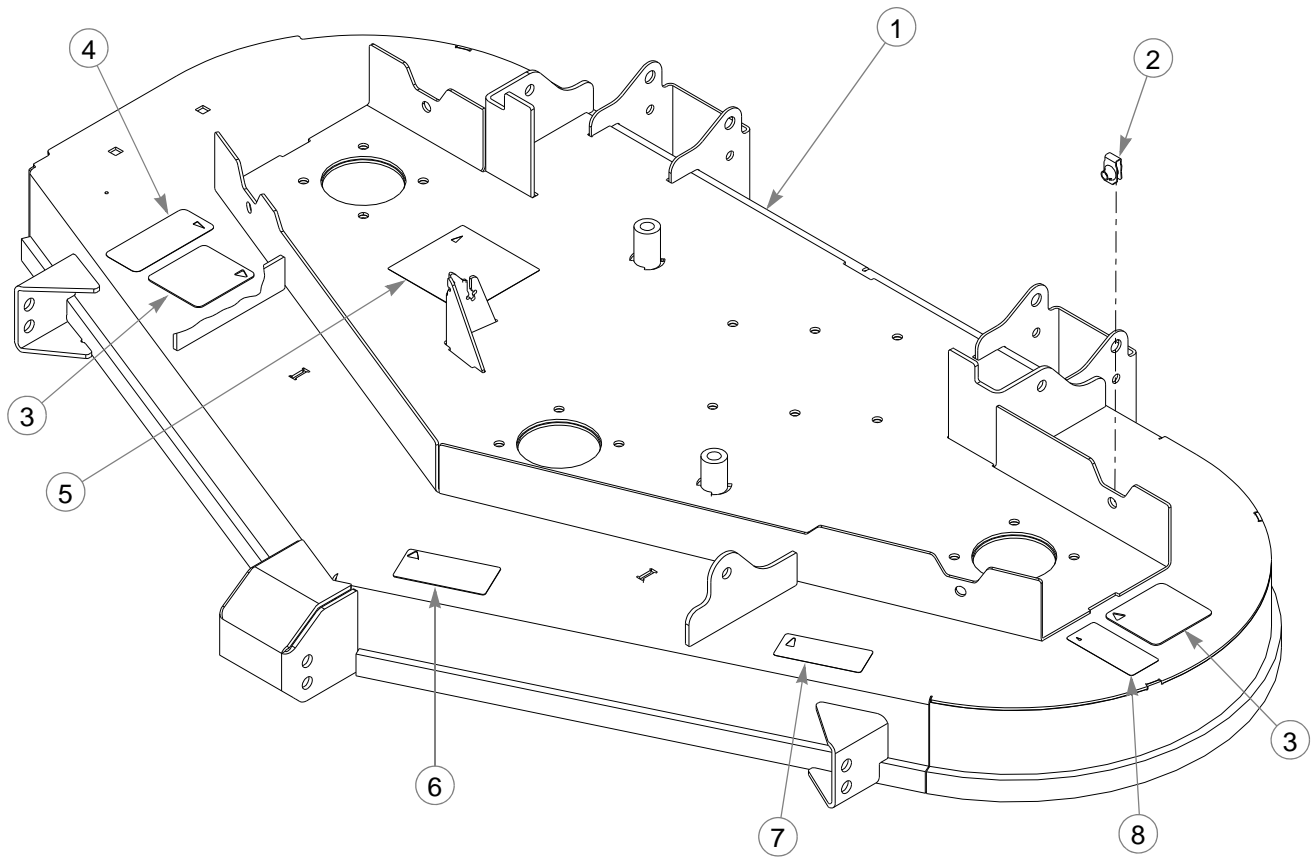
48" Deck Belt Routing and Tensioning



NOTES:

1. Spring length after tensioning new belt. Measured from outside of hook to outside of hook.

Deck Decals, 54"



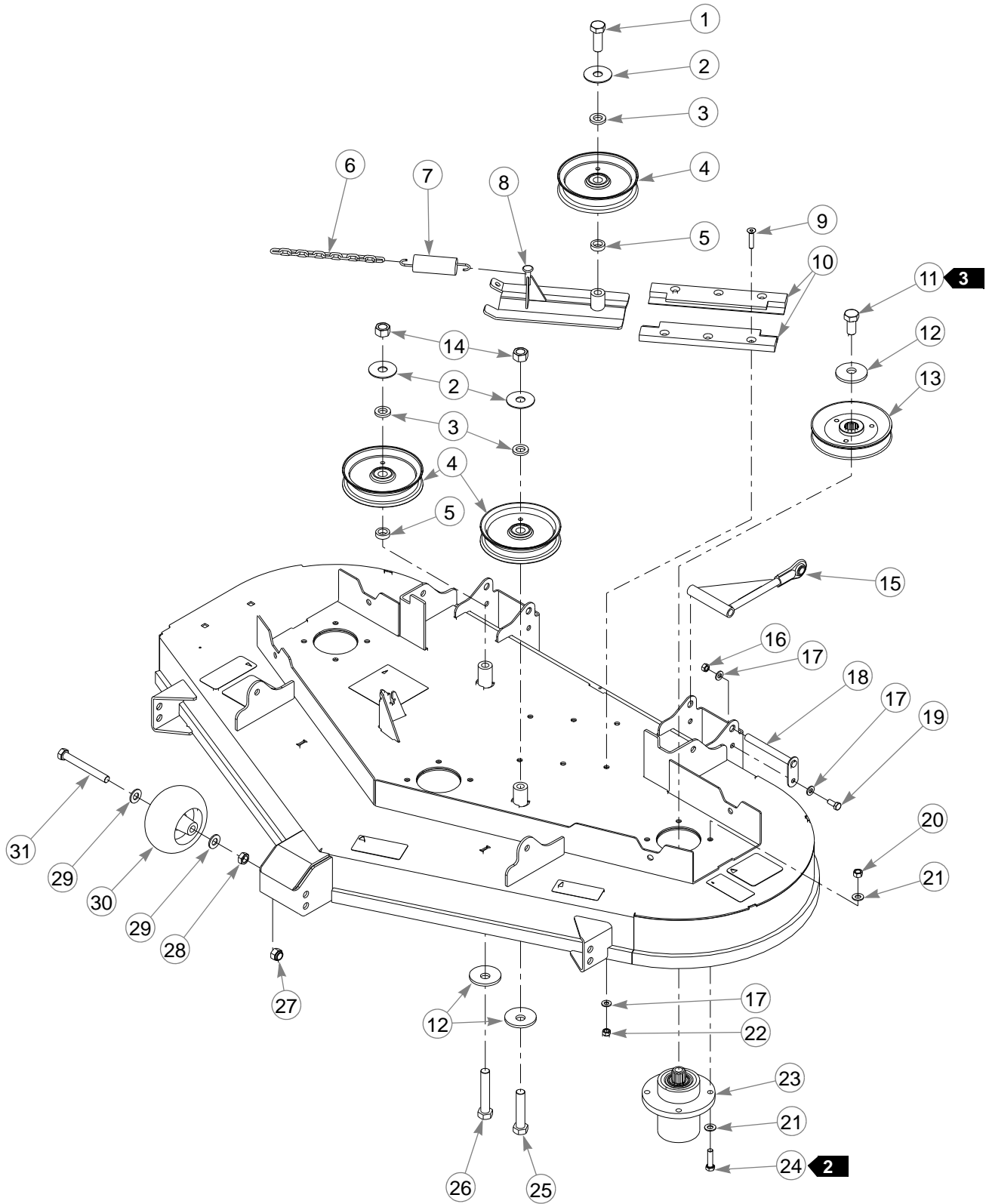
INDEX NO.	PART NO.	QTY.	DESCRIPTION
1	550231	1	54" DECK
2	601069	4	CN .312-18X.200 MAX THK
3	601787	2	DECK WARNINGS DECAL
4	601796	1	DISCHARGE CHUTE DECAL
5	781419CE	1	DECK BELT ROUTING DECAL
6	799171	1	54" DECK ID DECAL
7	797845	1	FUSION DECAL
8	601931	1	THROWN OBJECTS DECAL

NOTES:

1. Item 1 (550231) Includes items 2 through 8.

This page intetionally left blank.

54" Deck Pulley Assembly



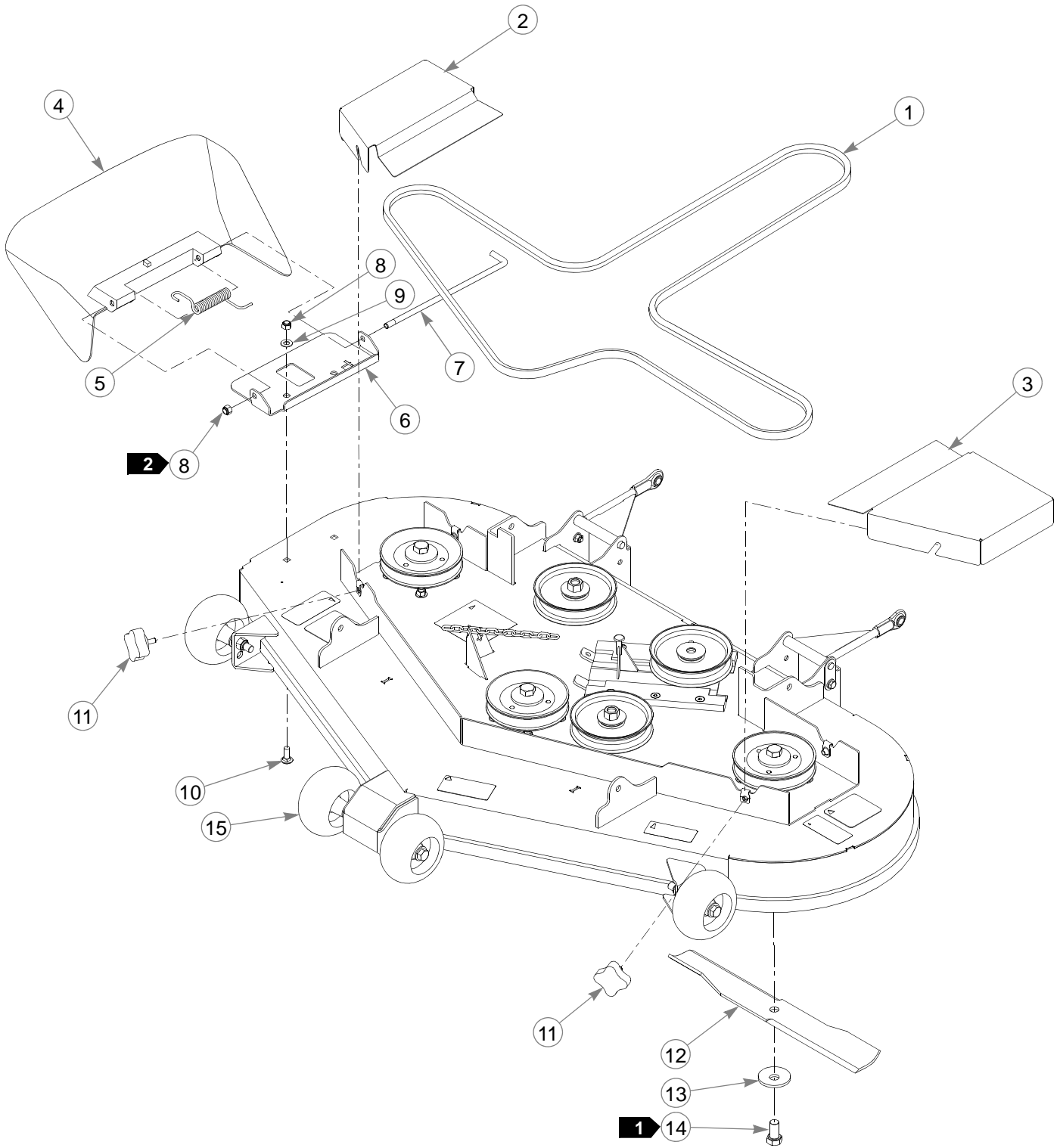
54" Deck Pulley Assembly

INDEX NO.	PART NO.	QTY.	DESCRIPTION
1	025007	1	CS .625-11X1.750 HX G5
2	046821	3	FW .656X 2.00X.078 ZNYC
3	797449	3	FW .650X1.125X.18 ZNYCG5
4	781856	3	PULLEY, IDLER NHI 5.00"
5	600296	2	SPACER, DECK IDLER
6	259812	1	CHAIN,13 LINKS
7	036384	1	SPRING
8	105031	1	IDLER, DECK
9	797910	6	CS .312-18X1.50FLT SH ZY
10	601434	2	IDLER SLIDE, UHMW
11	781872	3	CS .625-11X1.25 HX G5 Z
12	782474	5	CW .631 2.250X .187 PNT
13	786889	3	PULLEY, DECK DRIVE 5.25
14	016972	2	NT .625-11 HX G5 ZNYC
15	330225	2	PULLBAR
16	034272	2	NT .312-18 HX G5 ZNYC
17	768523	10	FW .343X.687X.051/.080H
18	322974	2	PULLBAR PIN
19	034280	2	CS .312-18X .750 HX G5
20	054502	12	NT .375-16 HX GRD 5 ZNY
21	767954	24	FW .406X .812 X.060 SAE
22	058776	6	NT .312-18 HXZY NL
23	783506	3	BLADE SPINDLE ASSEMBLY
24	005116	12	CS .375-16X1.375 HX G5
25	783738	1	CS .625-11X3.00 FULL HX
26	794875	1	CS .625-11 X 3.500 FLTHD
27	781567	4	NT .500-13 HX G8 ZY NL
28	053199	4	NT .500-13 HX JAM ZNYC
29	767962	8	FW .531X 1.063X.090 SAE
30	031997	4	ANTI-SCALP WHEEL
31	781708	4	CS .500-13X4.250 HX G5
1	788166	4	WHEEL ASSY, ANTI SCALP

NOTES:

1. Includes items 28 through 31.
2. Torque to 30 ft.-lbs.
3. Torque to 118 ft.-lbs.

54" Deck Belt & Blade Assembly



54" Deck Belt & Blade Assembly

INDEX NO.	PART NO.	QTY.	DESCRIPTION
1	601788	1	BELT, B 133.10 EL
2	108124	1	PULLEY COVER RS 54"
3	108123	1	PULLEY COVER LS 54"
4	601806	1	DISCHARGE CHUTE
5	601824	1	TORSION SPRING
6	112448	1	CHUTE MOUNT
7	601843	1	CHUTE PIN
8	086660	3	NT .375-16 HXZY NL
9	767954	2	FW .406X .812 X.060 SAE
10	025395	2	CB .375-16X 1.00 STD CD
11	792002	4	KNOB,5/16-18 X 3/4"MALE
12	797696	3	BLADE, F18.50"-H-F-CW
13	782474	3	CW .631 2.250X .187 PNT
14	781872	3	CS .625-11X1.25 HX G5 Z
3	15	788166	1 ANTI SCALP WHEEL ASSY
16	053199	1	NT .500-13 HX JAM ZNYC
17	767962	2	FW .531X .8121.063 X.090 SAE HD ZN
18	031997	1	ANTI SCALP WHEEL
19	781708	1	CS .500-13 X 4.25 HX G5 ZNYC
4	20	056077	1 CS .250-20X1.000 HX G5
21	602192	1	SPACER, CHUTE STOP
22	768515	1	FW .281X.625X.051/.080H
23	068551	1	NT .250-20 HXZY NL
24	086660	1	NT .375-16 HXZY NL
25	767954	3	FW .406X.812X.060 SAE
26	110751	1	CHUTE MOUNT
27	058776	1	NT .312-18 HXZY NL
28	798918	1	CHUTE, RUBBER DISCHARGE
29	063297	1	SB .375X.500 SH .312-1

NOTES:

1. Torque to 118 ft. lbs.
2. Do not torque, Item 4 (Discharge Chute) must pivot freely.
3. Includes items 16 through 19.

4. Items 20-29 used on mowers with serial numbers prior to 10080989.

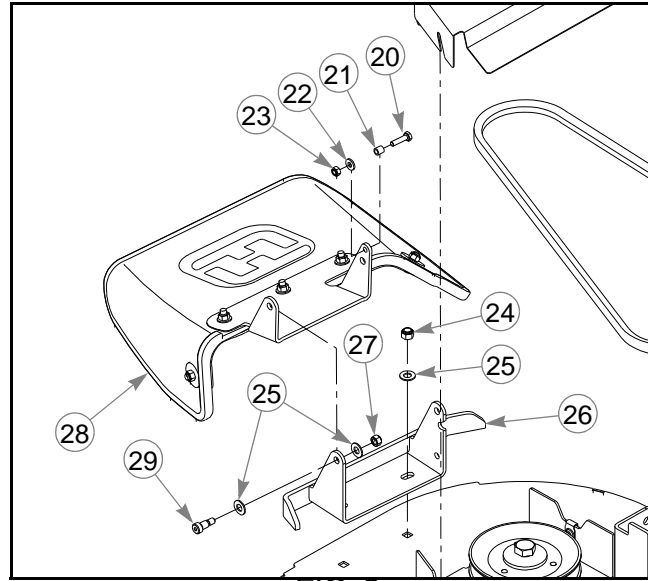
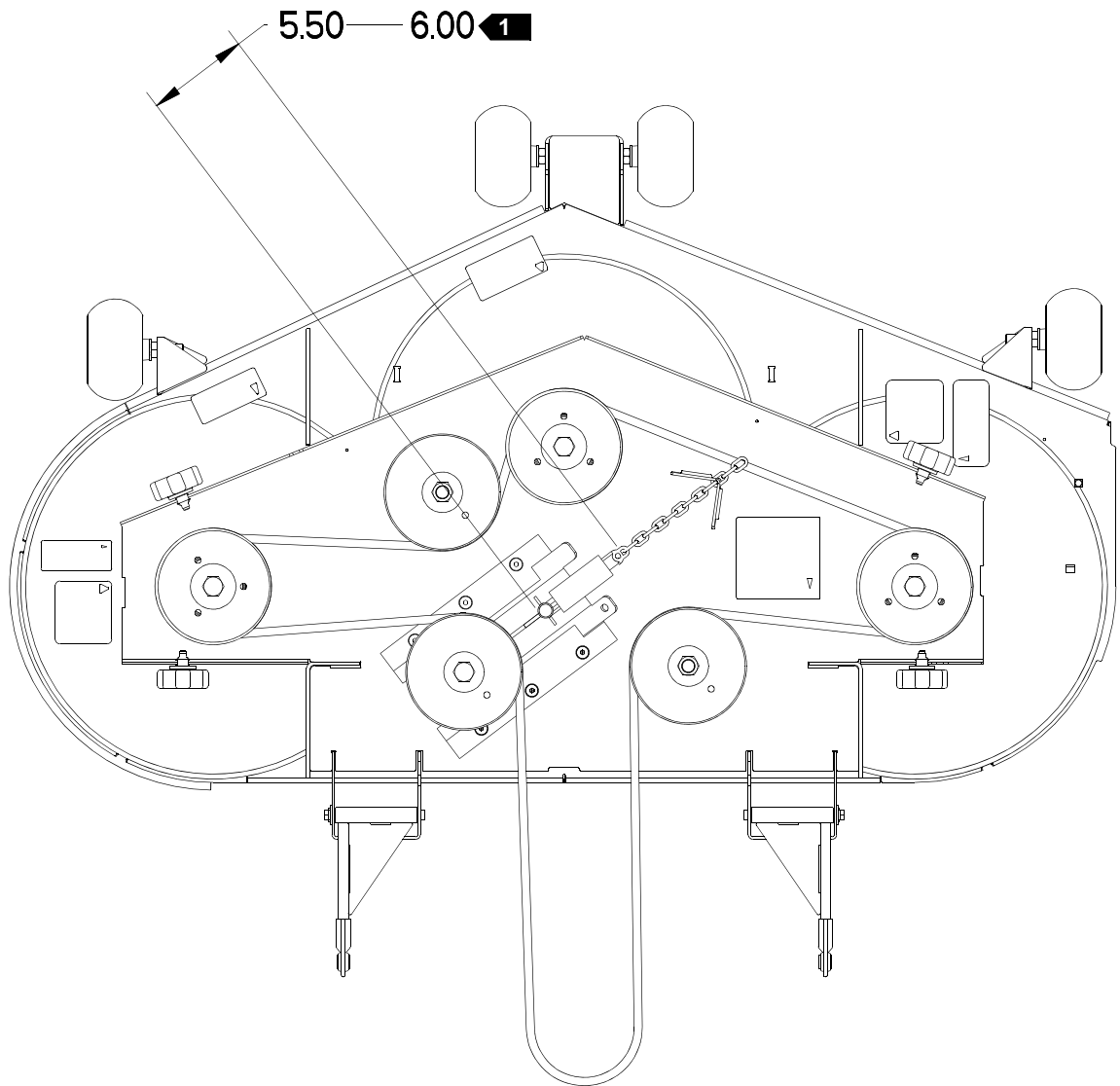


FIG. 2

54" Deck Belt Routing and Tensioning



NOTES:

1. Spring length after tensioning new belt. Measured from outside of hook to outside of hook.

Numerical Index

Part No.	Page No.	Part No.	Page No.	Part No.	Page No.
Index					
Part Numbers					
000323	4-9	064006	4-29	305086	4-13, 4-23
000331	2-9, 4-3, 4-5	064329	4-7	306969	5-3
005116	6-5, 6-13	064345	4-3, 4-5	314351	4-13, 4-23
008193	3-3	068478	1-1	322974	6-5, 6-13
008417	3-3	068551	2-9	330225	6-5, 6-13
015495	3-3	073338	4-13, 4-23	339689	5-3
015818	1-1, 4-9	076422	4-13, 4-23	341826	4-11, 4-21
016410	2-9	077842	4-11, 4-21	342378	4-11, 4-21
016972	6-5, 6-13	078949	3-5	344267	5-3
017251	4-13, 4-23	080655	4-29	348284	3-3
019521	5-4	083279	2-3	348458	3-3
023002	4-23	083279CA	2-4	360131	3-3
024927	4-5, 4-29	086660	3-3, 4-13, 4-23, 4-29, 6-7, 6-15	360693	4-5
025007	6-5, 6-13	102125	1-2	550071	4-17, 4-25
025296	2-7	105031	6-5, 6-13	550072	4-17
025395	6-7, 6-15	108123	6-15	550073	3-3
028118	2-7	108124	6-15	550191	4-5
029868	4-7	108148	6-7	550192	4-25
030817	4-7	108149	6-7	550227	2-3
031997	6-5, 6-13	108197	1-2	550228	2-3
033001	1-1, 2-3	108197	1-2	550230	6-2
034272	2-7, 3-3, 4-3, 4-5, 4-13, 4-23, 4-29, 6-5, 6-13	108223	1-2	550231	6-10
034280	2-7, 4-3, 4-5, 4-9, 6-5, 6-13	109202	4-29	600296	6-5, 6-13
034652	4-13, 4-23	109203	4-29	600668	5-3
036236	3-3, 4-7	110529	3-3	600684	5-4
036244	3-3	110530	3-3	600700	5-4
036384	2-7, 6-5, 6-13	110539	4-29	600767	2-9
039693	4-11, 4-21	110570	3-3	600972	2-9
041152	4-11, 4-21	110601	4-29	600974	2-9
041988	2-9	110602	4-9	600975	2-9
042630	5-3	110608	3-7	600976	2-9
043299	4-11, 4-21	110639	4-13, 4-23	600987	2-9
044255	4-7	110645	4-11, 4-21	601001	2-7
045765	4-11, 4-21	110646	4-13, 4-23	601069	2-3, 4-7, 6-2, 6-10
045898	4-25	110647	4-13, 4-23	60108	2-7
046821	6-5, 6-13	110730	2-9	601094	4-25
047456	4-11, 4-21	110731	2-9	601097	4-17
052837	4-3, 4-5	110739	2-7	601098	4-13, 4-19, 4-23
053199	6-5, 6-13	110759	4-3	601219	2-9
054502	3-3, 4-9, 4-13, 4-23, 4-29, 6-5, 6-13	110762	2-7	601221	2-9
055749	3-3	110766	4-11, 4-21	601277	4-5
055822	4-17, 4-25	110865	4-7	601433	2-9
055863	4-23	110932	4-13, 4-23	601434	6-5, 6-13
055939	4-7, 4-29	111157	2-9	601503	2-9
058776	4-11, 4-21, 6-5, 6-13	111251	1-1	601681	3-3
059832	4-13, 4-19, 4-23	111479	1-2	601710	4-29
061077	5-3	111557	4-3, 4-5	601729	2-9
		111616	2-9	601730	2-9
		111617	2-9	601757	4-3
		112448	6-7, 6-15	601784	4-3
		259812	2-7, 6-5, 6-13	601785	4-5
		263517	3-3	601787	6-2, 6-10

Part No.	Page No.	Part No.	Page No.	Part No.	Page No.
601788	1-1, 6-15	768515	2-9, 4-5, 4-29	785048	4-5
601796	6-2, 6-10	768523	2-7, 3-3, 4-3, 4-5,	785113	4-13, 4-23
601798	4-13, 4-23		4-9, 4-11, 4-21, 4-29,	785295	4-9
601815	4-5		6-5, 6-13	785766	4-11, 4-21
601824	6-7	769166	4-17, 4-25	785808	4-17, 4-25
601834	4-3	769299	4-11, 4-21	786657	4-25
601839	4-11, 4-21	771030	4-17, 4-25	786848	2-7
601908	2-4	771139	4-11, 4-21	786889	6-13
601931	6-2, 6-10	771428	4-7	787713	1-1, 2-7, 4-3, 4-5
601934	4-17	772079	1-1	788166	6-5, 6-13
601935	4-25	772806	5-5	788349	4-13, 4-23
601942	3-3	772814	5-5	788554	4-13, 4-23
601952	4-13, 4-23	773556	4-11, 4-21	788604	5-3, 5-5
601953	3-3, 4-13, 4-23	776476	4-17, 4-25	788828	4-17, 4-25
601967	4-17, 4-25	776518	4-17	791251	4-3, 4-5
601969	1-1, 6-7	778365	4-19	791350	4-3
601970	4-17	778746	2-7	792002	3-7, 6-7, 6-15
601971	4-25	779157	4-11, 4-21	792044	4-9
601972	4-17, 4-25	779165	4-11, 4-21	792317	3-3
601996	2-7	779280CE	2-3	792374	4-13
602061	3-7	779306	4-9	792689	6-5
602094	2-9	780015	4-5	792762	4-5
602208	2-9	781153	2-7	793489	4-7
602228	2-9	781294	3-3	793836	1-1, 2-7
704643	3-3	781419CE	6-2, 6-10	793976	6-2
704932	4-13, 4-19, 4-23	781567	3-5, 5-3, 6-5, 6-13	794875	6-5, 6-13
705954	3-3, 5-3	781708	6-5, 6-13	795757	1-1, 6-7
710087	2-9	781724	4-5	796524	4-3, 4-5
712257	4-25	781732	4-5	797449	6-5, 6-13
712372	4-3, 4-5	781831	3-3	797647	2-3
712976	5-3	781856	6-5, 6-13	797696	1-1, 6-15
720177	4-5	781872	2-7, 6-5, 6-7, 6-13,	797795	1-1
727172	4-17, 4-25		6-15	797845	6-2, 6-10
728550	3-3	781922	2-9, 4-13, 4-23	797852	1-1
740696	4-7	781930	3-3	797860	1-1
745166	4-7	782474	6-5, 6-7, 6-13, 6-15	797910	6-5, 6-13
756270	3-3	782649	4-5	799171	6-10
763417	4-3, 4-5	783506	6-5, 6-13	799429	4-3
765339	3-3, 4-29	783738	6-5, 6-13	808485	2-3
767954	2-9, 3-3, 4-9, 4-17,	783761	4-5	929240	1-1
	4-25, 4-29, 6-5, 6-7,	783944	4-9	929265	1-1
	6-13, 6-15	784223	4-11, 4-21, 5-3	929273	1-1
767962	3-3, 4-13, 4-23, 5-3,	784421	4-29	929299	1-2
	6-5, 6-13	784603	5-3		
768259	4-13, 4-23	784918	4-3, 4-5		