

Hustler® X-One® Parts Manual



HUSTLER®
TURF EQUIPMENT

200 South Ridge Road

Hesston, Kansas

67062

Table of Contents

General Information

Service Literature	1-1
Options Available From Your Dealer.	1-1
Using This Manual	1-1
Hardware Description Codes & Abbreviations	1-2
Standard Torques	1-2

Section 2

Frame	2-2
Footrest.	2-4
Engine Guard, FX850 Only.	2-6
Engine Guard	2-8

Section 3

Hydraulic System	3-2
Hydraulic Pump Service Parts	3-4
Hydraulic Motor Service Parts.	3-5
Steering	3-6
Steering Sub Assembly.	3-8
Pump Drive	3-10
Brake.	3-12

Section 4

Wheel & Tire	4-2
Wheel & Tire, Flex Forks.	4-4
Front Tire Breakdown—Smooth	4-6
Front Tire Breakdown—Ribbed.	4-8
Drive Wheel Breakdown	4-10

Section 5

Engine, Kawasaki FX691V & FX730V	5-2
Engine, Kawasaki FX691V & FX730V	5-4
Engine, Kawasaki FX850V	5-10
Engine Service Parts, Kawasaki FX691V, FX730V & FX850V.	5-12
Engine, Kohler CV740	5-14
Engine Service Parts, Kohler CV740	5-16
Fuel System—S/N 12022042 & Higher.	5-18
Fuel System—S/N Prior to 12022042.	5-20
Fuel & Evap Service Parts—S/N 12092657 & Higher.	5-22
Fuel & Evap Service Parts—S/N Prior to 12092657.	5-23

Section 6

Battery.	6-2
Instrument Panel.	6-4

Section 7

48" Side Discharge Service Deck	7-2
48" Side Discharge Deck Pulleys & Spindles	7-4
48" Side Discharge Deck	7-6

54" Side Discharge Service Deck	7-8
54" Deck Pulleys & Spindles	7-10
54" Side Discharge Deck	7-12
60" Side Discharge Service Deck	7-14
60" Side Discharge Deck Pulleys & Spindles	7-16
60" Side Discharge Deck	7-18
Side Discharge Deck Lift	7-20
Side Discharge Deck Mounting Hardware	7-22
54" Rear Discharge Service Deck	7-24
54" Rear Discharge Pulleys & Spindles	7-26
54" Rear Discharge Deck Dust Shield	7-28
54" Rear Discharge Deck	7-30
60" Rear Discharge Pulleys	7-32
60" Rear Discharge Spindles	7-34
60" Rear Discharge Dust Shield	7-36
60" Rear Discharge Deck	7-38
60" Rear Discharge Service Deck	7-42
Rear Discharge Deck Lift	7-44
Rear Discharge Deck Mounting Hardware	7-46

Section 8

Seat, Deluxe—S/N 11020000 & Higher	8-2
Seat, Deluxe—S/N Prior to 11020000	8-4
Seat Service Parts, Deluxe	8-6
Seat Service Parts, Super Deluxe	8-7
ROPS	8-8

General Information

This Manual covers Hustler X-One models **930503EX, 930511EX, 930529EX, 930537EX, 930545EX, 930552EX, 930560EX, 930594EX & 931675EX.**

Service Literature

PART NO.	DESCRIPTION
603029	OPERATOR'S MANUAL
113874	X-ONE SERVICE MANUAL
113856EX	WARRANTY STATEMENT

Options Available From Your Dealer

PART NO.	DESCRIPTION	PART NO.	DESCRIPTION
603162	FLEX FORK	113910	SINGLE REAR ANTI-SCALP
114324	HITCH KIT	113911	DUAL REAR ANTI-SCALP
110153	LIGHT KIT	600197	SUSPENSION KIT
113721	54" DECK MULCH KIT	353961	STEERING LEVER EXTENSION
789537	SEMI-PNEUMATIC TIRE		
113722	60" DECK MULCH KIT	113900	48" CATCHER ADAPTER KIT
113906	48" SAND KIT	113901	54" CATCHER ADAPTER KIT
113907	54" SAND KIT	113902	60" CATCHER ADAPTER KIT
113679	60" SAND KIT	930446	CATCHER 3-BAG

Note: When ordering parts, you must use the part number as shown for each part, not the index number. Always give the model and serial number to your parts and service representative.

Note: Items sold in bulk such as seals and hoses are sold by the foot.

Using This Manual

This manual is part of a service package for the Hustler® mowers. Use of this manual in conjunction with other Hustler® mower and component manuals will provide the information necessary to service and maintain Hustler® mowers.

This Parts Manual provides a complete parts listing for the unit. Use this manual when ordering parts. Illustrations used were current at the time of printing, but subsequent production changes may cause your machine to vary slightly in detail. Excel Industries, Inc. reserves the right to redesign and change the machine as deemed necessary, without notification. If a change has been made to your machine which is not reflected in this parts manual, see your Hustler® dealer for current information and parts.

The Service Manual is a service guide for use by Service Technicians. It provides the necessary information needed to perform normal maintenance requirements on these units.

The Operator's Manual provides fundamental operational information and operational safety that is needed when operating the mower.

The component manuals are furnished by the various manufacturers to be used for the troubleshooting and servicing of their products.

Hardware Description Codes & Abbreviations

The following codes are used throughout this parts manual. Refer to this list when ordering parts.

ABBREVIATION	DESCRIPTION	ABBREVIATION	DESCRIPTION
CB	CARRIAGE BOLT	MB	MACHINE BUSHING
CE	CLEVIS PIN	MS	MACHINE SCREW
CN	CLIP NUT	NT	NUT
CP	COTTER PIN	SC	SELF TAPPING CAP SCREW
CS	CAP SCREW	SH	SOCKET HEAD
CW	CUP WASHER	SB	SHOULDER BOLT
FDRW	FENDER WASHER	SS	SET SCREW
FW	FLAT WASHER	OD	OUTSIDE DIAMETER
HX	HEX HEAD	ID	INSIDE DIAMETER
LW	LOCK WASHER		

Standard Torques

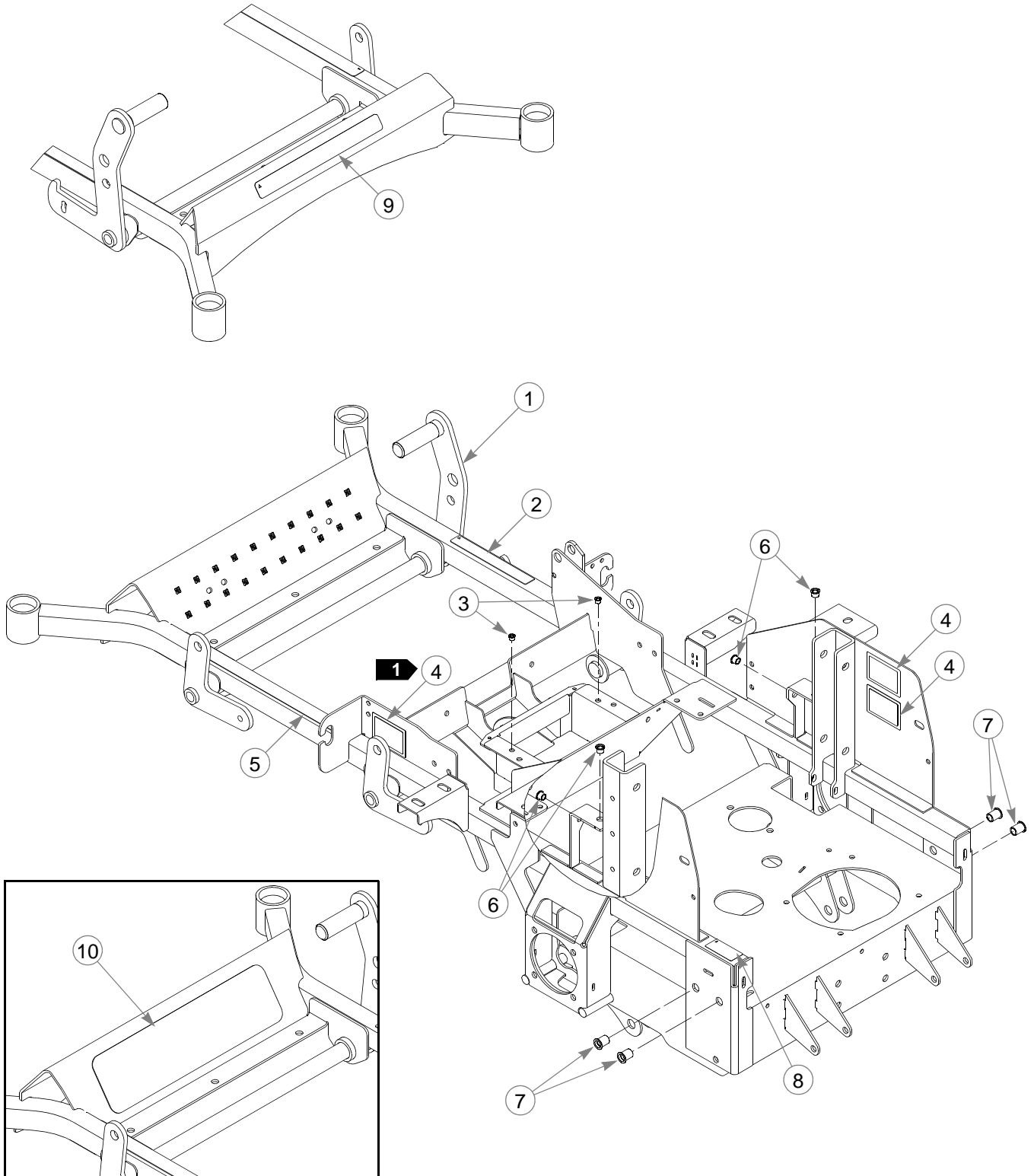
The following chart lists the standard torque values for the threaded fasteners found in this manual. Torque all cap screws, nuts and set screws to these values unless a different torque is shown in the Notes section next to the fastener.

SIZE	FT-LBS	N-M	SIZE	FT-LBS	N-M
.250	8.2	11.1	M3	1	1.3
.312	17	23	M4	2.2	3
.375	30	40	M5	4.5	6.1
.438	48	65	M6	7.7	10.4
.500	73	99	M8	18.5	25
.562	105	143	M10	37	50
.625	145	200	M12	64	87
.750	260	350	M14	80	108.5
.875	420	565	M16	160	215
1.00	625	850	M20	320	435
			M24	555	750

Section 2

Frame	2-2
Footrest	2-4
Engine Guard, FX850 Only	2-6
Engine Guard.	2-8

Frame



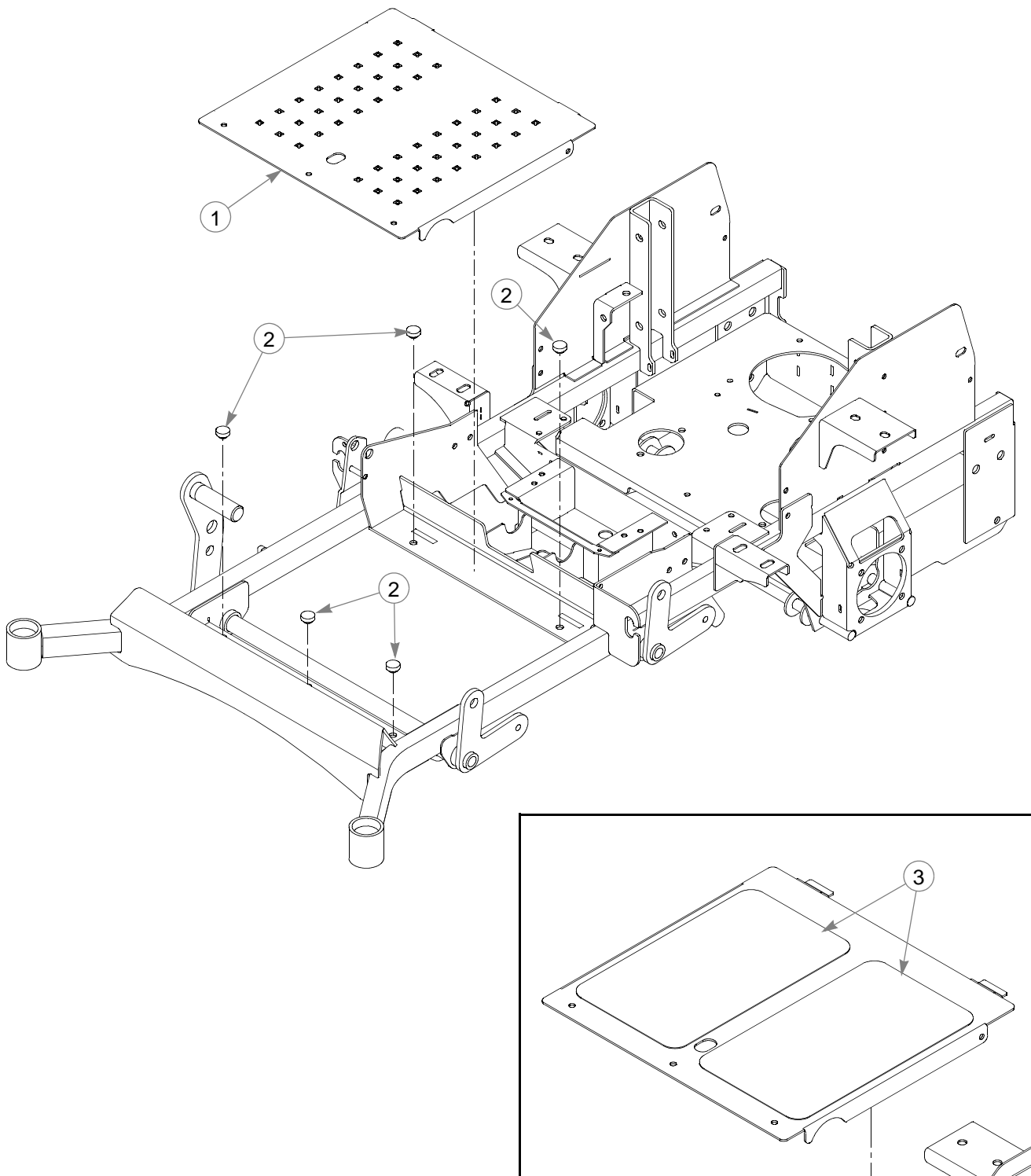
Frame

INDEX NO.	PART NO.	QTY.	DESCRIPTION
1	550745	1	48" FRAME (WITH DECALS & RIVET NUTS)
	550746	1	54" FRAME (WITH DECALS & RIVET NUTS)
	550747	1	60" FRAME (WITH DECALS & RIVET NUTS)
	550847	1	54" RD FRAME (WITH DECALS & RIVET NUTS)
	550848	1	60" RD FRAME (WITH DECALS & RIVET NUTS)
2	781427	1	DECK HEIGHT DECAL
3	808477	2	1/4-20 THREAD RIVET NUT
4	N/A	1	SERIAL NUMBER / SPEC DECAL
5	601993	1	SAFE OPERATION DECAL
6	808493	4	3/8-16 THREAD RIVET NUT
7	600961	4	1/2-13 THREAD RIVET NUT
8	602041	1	HOT DECAL
9	602407	1	HUSTLER ID DECAL
10	602323	1	STEP TREAD

NOTES:

1. In the event the serial number tag becomes damaged or illegible, please contact your dealer to order a replacement.

Footrest

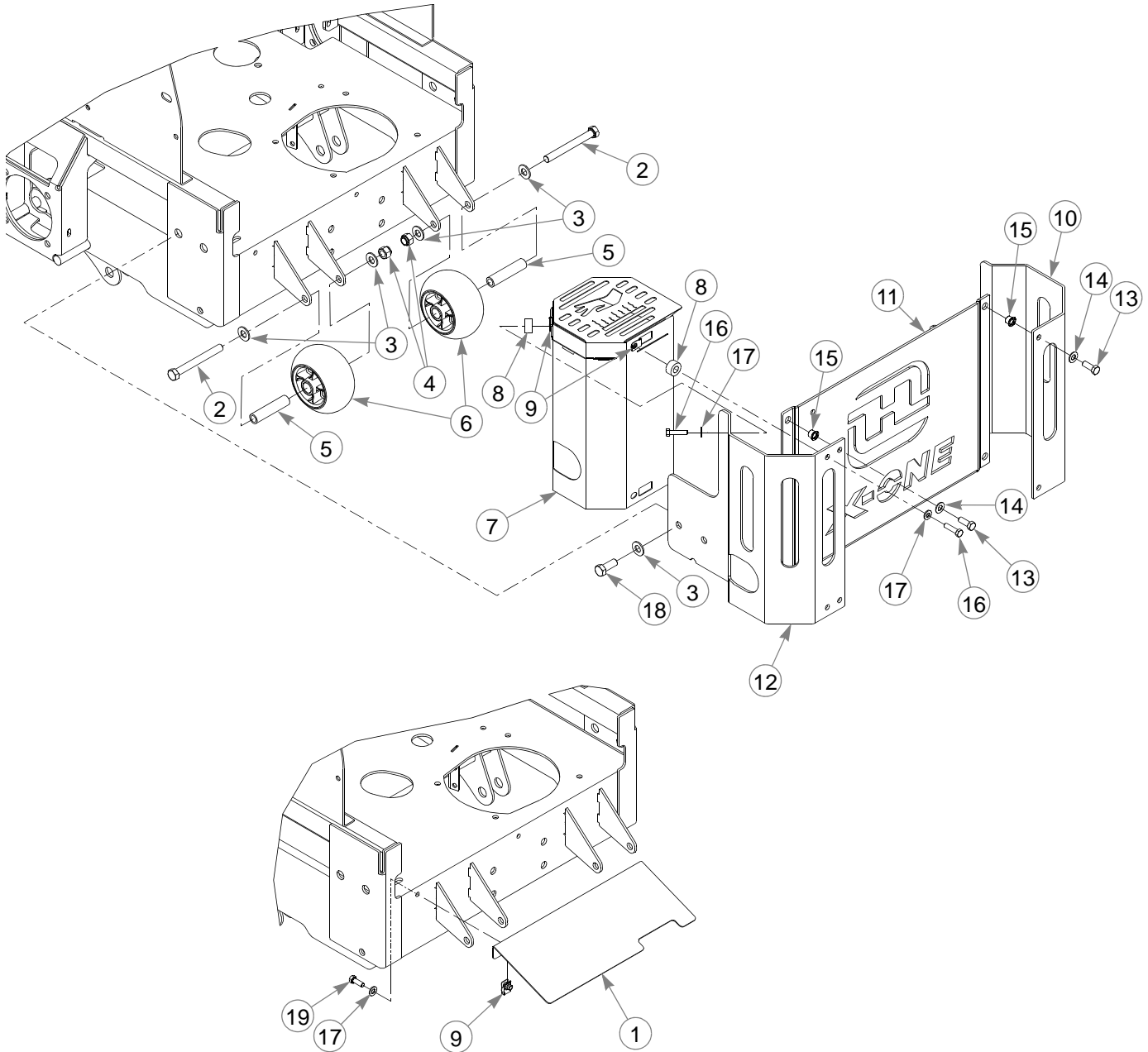


Footrest

INDEX NO.	PART NO.	QTY	DESCRIPTION
1	113234	1	FLOOR PLATE
2	781880	5	BUMPER
3	785493	2	LOWER STEP TREAD

NOTES:

Engine Guard, FX850 Only

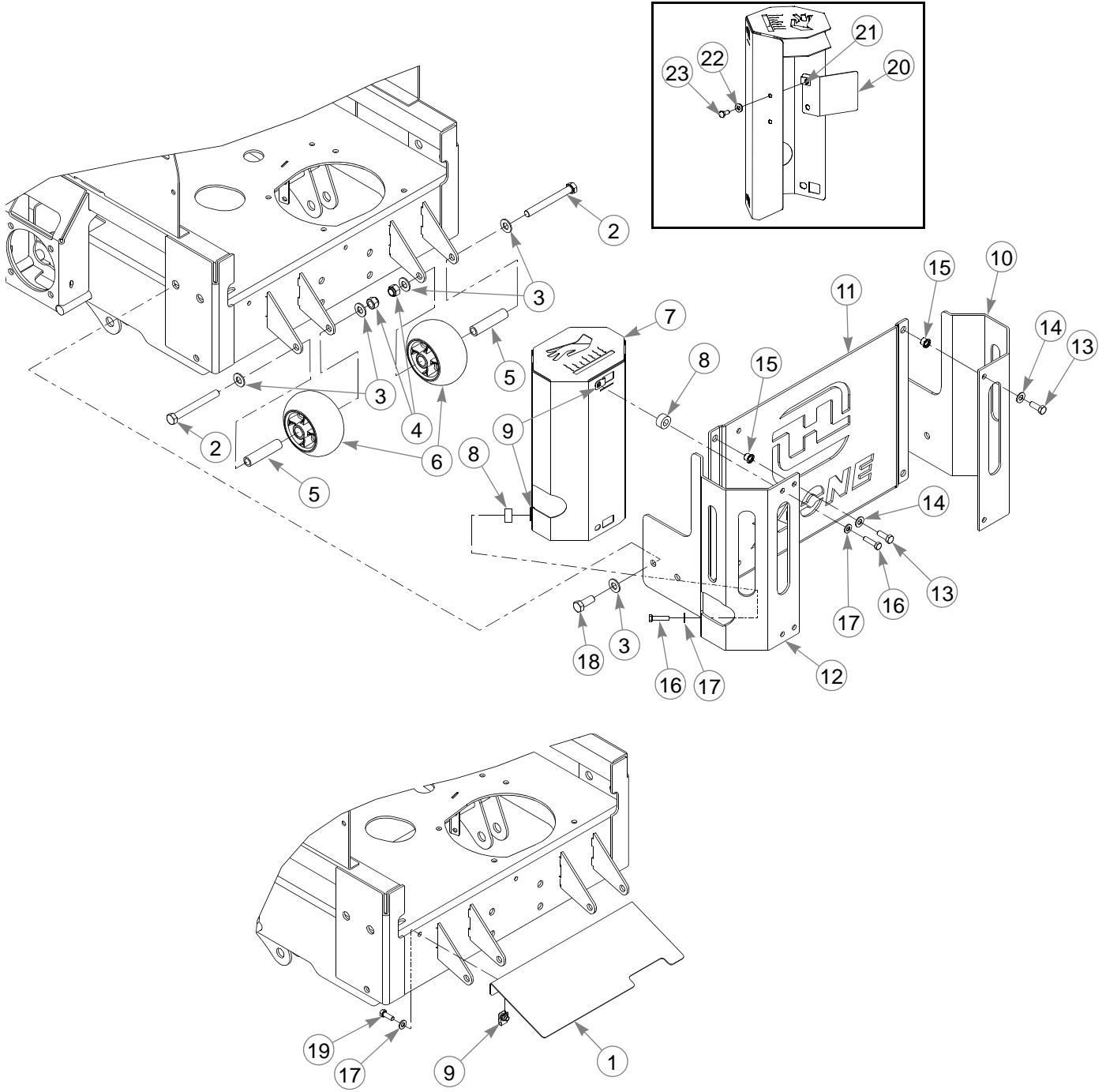


Engine Guard, FX850 Only

INDEX NO.	PART NO.	QTY.	DESCRIPTION
1	113858	1	DEFLECTOR
2	068239	2	CS .500-13 X 4.50 HX G5
3	767962	8	FW .531 X 1.063 X .090 SAE
4	781567	2	NT .500-13 HX G8 ZY NL
5	602345	2	SPACER 3.22
6	602263	2	PLASTIC WHEEL
7	113678	1	SHIELD
8	603076	4	SHIELD SPACER
9	601069	6	CN .312-18 X .20 MAX THK
10	113373	1	RS ENGINE GUARD
11	551168	1	CENTER BUMPER
12	113374	1	LS ENGINE GUARD
13	036244	4	CS .375-16 X 1.00 HX G5
14	767954	4	FW .406 X .812 X .060 SAE
15	808493	4	3/8-16 THREAD RIVET NUT
16	079186	4	CS .312-18 X 1.25 HX G5
17	768523	6	FW .343 X .687 X .051/.080H
18	705954	4	CS .500-13 X 1.25 HX G5 ZN
19	064014	2	CS .312-18 X .875 HX G5 ZN

NOTES:

Engine Guard



Engine Guard

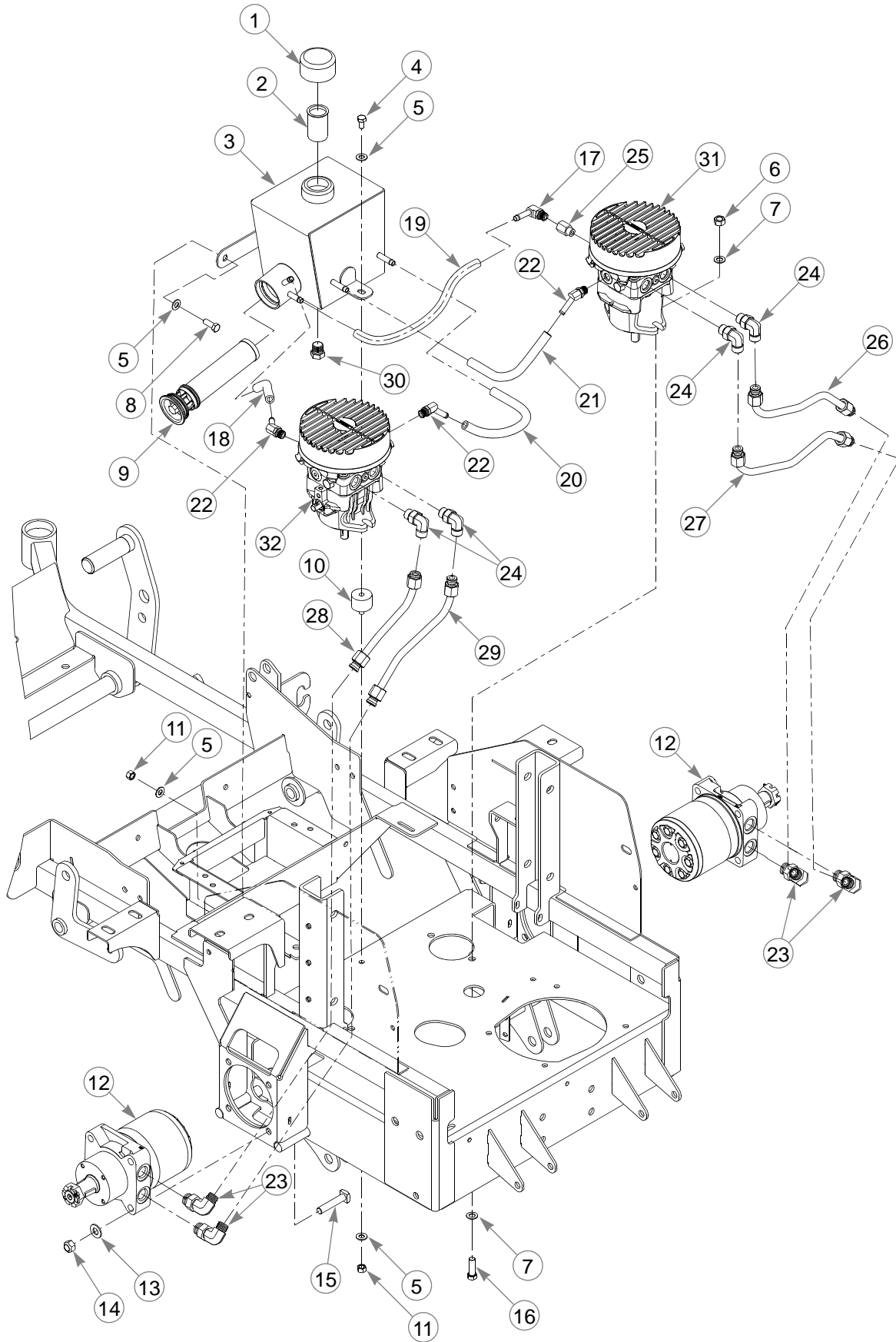
INDEX NO.	PART NO.	QTY.	DESCRIPTION
1	113858	1	DEFLECTOR
2	068239	2	CS .500-13 X 4.50 HX G5
3	767962	8	FW .531 X 1.063 X .090 SAE
4	781567	2	NT .500-13 HX G8 ZY NL
5	602345	2	SPACER 3.22
6	602263	2	PLASTIC WHEEL
7	113704	1	SHIELD
8	603076	4	SHIELD SPACER
9	601069	6	CN .312-18 X .20 MAX THK
10	113371	1	RS ENGINE GUARD
11	551168	1	CENTER BUMPER
12	113372	1	LS ENGINE GUARD
13	036244	4	CS .375-16 X 1.00 HX G5
14	767954	4	FW .406 X .812 X .060 SAE
15	808493	4	3/8-16 THREAD RIVET NUT
16	079186	4	CS .312-18 X 1.25 HX G5
17	768523	6	FW .343 X .687 X .051/.080H
18	705954	4	CS .500-13 X 1.25 HX G5 ZN
19	064014	2	CS .312-18 X .875 HX G5 ZN
20	113964	1	CABLE SHIELD
21	601982	2	CN .250-20 X .15 MAX THK
22	768515	2	FW .281 X .625 X .051/.080H
23	064329	2	CS .250-20 X .625 HX G5

NOTES:

Section 3

Hydraulic System	3-2
Hydraulic Pump Service Parts	3-4
Hydraulic Motor Service Parts	3-5
Steering	3-6
Steering Sub Assembly	3-8
Pump Drive	3-10
Brake	3-12

Hydraulic System

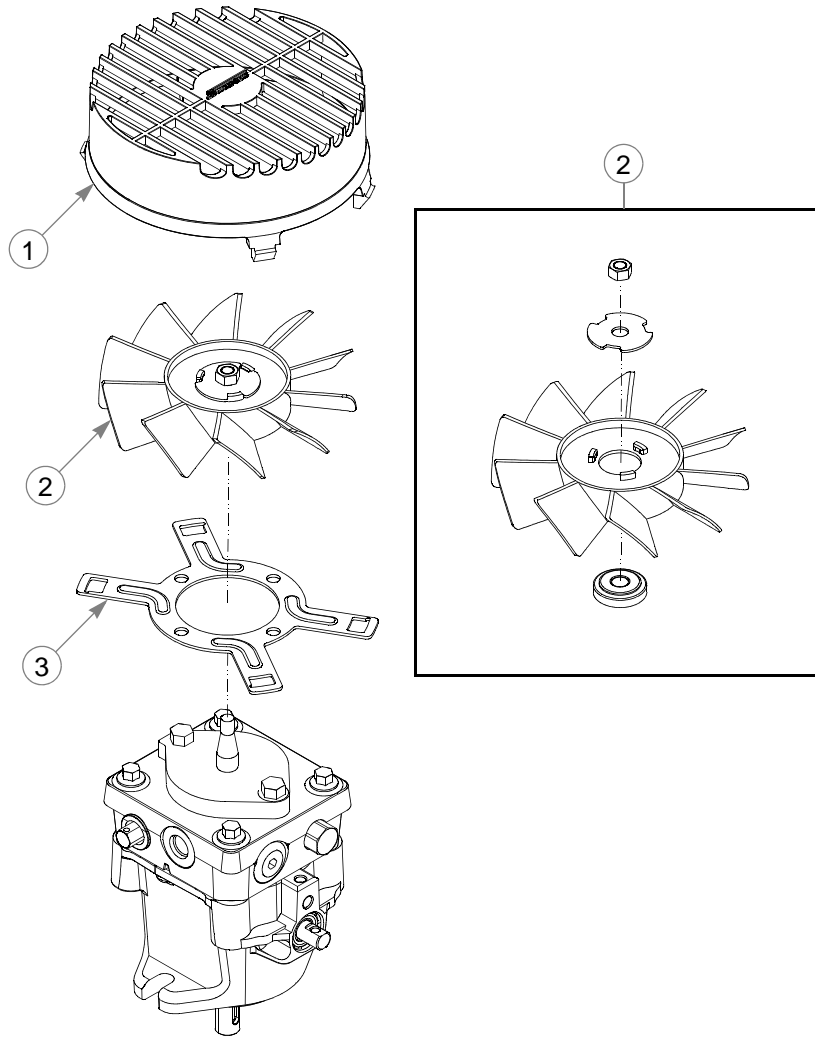


Hydraulic System

INDEX NO.	PART NO.	QTY.	DESCRIPTION
1	032763	1	BREATHER CAP
2	032771	1	STRAINER
3	602896	1	HYDRAULIC RESERVOIR
4	056069	1	CS .375-16 X .625 HX G5
5	767954	6	FW .406 X .812 X .060 SAE
6	041707	4	NT .437-14 HX G5 ZNYC
7	704742	8	FW .453 X .812 X .060 ZNYC
8	036244	2	CS .375-16 X 1.00 HX G5
9	601413X	1	HYDRAULIC FILTER ELEMENT
10	601571	1	VIBRATION MOUNT
11	054502	3	NT .375-16 HX G5 ZNY
12	602382	2	MOTOR
13	767962	8	FW .531 X 1.063 X .090 SAE
14	023317	8	NT .500-13 UNT LK G8 ZN
15	602256	8	CS .500-13 X 2.50 SQ G5
16	705186	4	CS .437-14 X 1.375 HX G5
17	787465	1	FTG, 90°-6MORB/-6BT
18	602992	1	LEFT PUMP SUCTION HOSE
19	602993	1	RIGHT PUMP SUCTION HOSE
20	602994	1	LEFT PUMP RETURN HOSE
21	602995	1	RIGHT PUMP RETURN HOSE
22	784108	3	FTG, 45°-6MORB/-6BT
23	781526	4	FTG, 90°-10MORB/-8MORFS
24	781542	4	FTG, 90°-8MORB/-8MORFS
25	600881	1	FTG, STR-6MORB/-6FORB
26	603013	1	TUBE, RP-BM RT LOOP
27	603014	1	TUBE, LP-TM RT LOOP
28	603015	1	TUBE, LP-TM LT LOOP
29	603016	1	TUBE, RP-BM LT LOOP
30	781658	1	FTG, STR-8MORB HEX PLUG
31	601134	1	RS HYDRO PUMP 12CC W/FAN
32	601133	1	LS HYDRO PUMP 12CC W/FAN

NOTES:

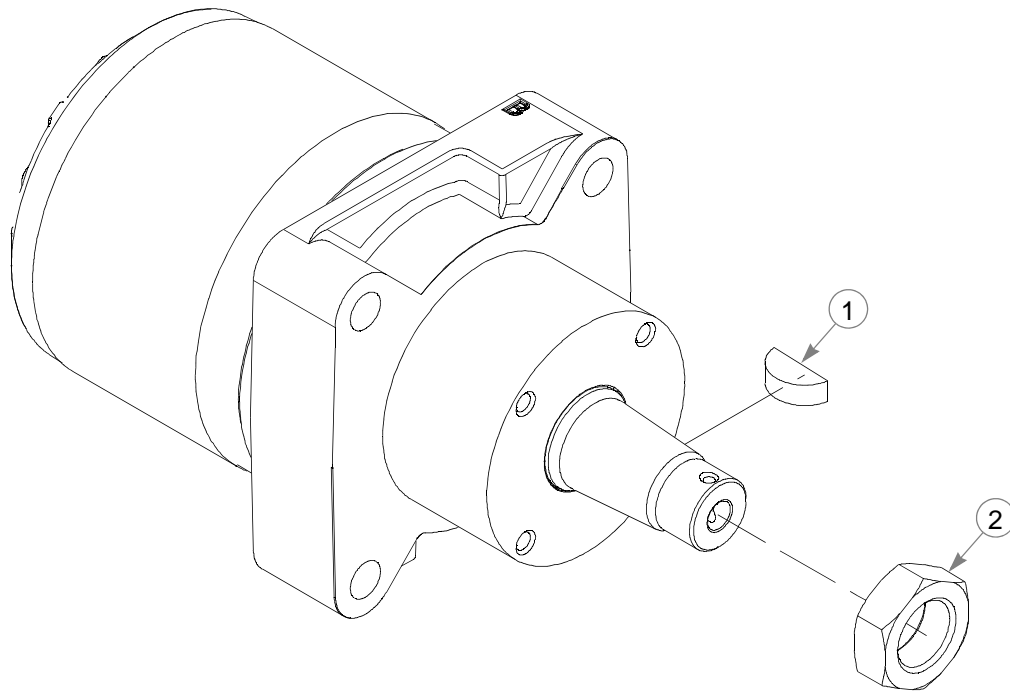
Hydraulic Pump Service Parts



INDEX NO.	PART NO.	QTY.	DESCRIPTION
1	601877	1	PUMP FAN SHROUD
2	601878	1	PUMP FAN KIT
3	601879	1	PUMP SHROUD BRACKET
4	780718	1	PUMP SEAL KIT (NOT SHOWN)

NOTES:

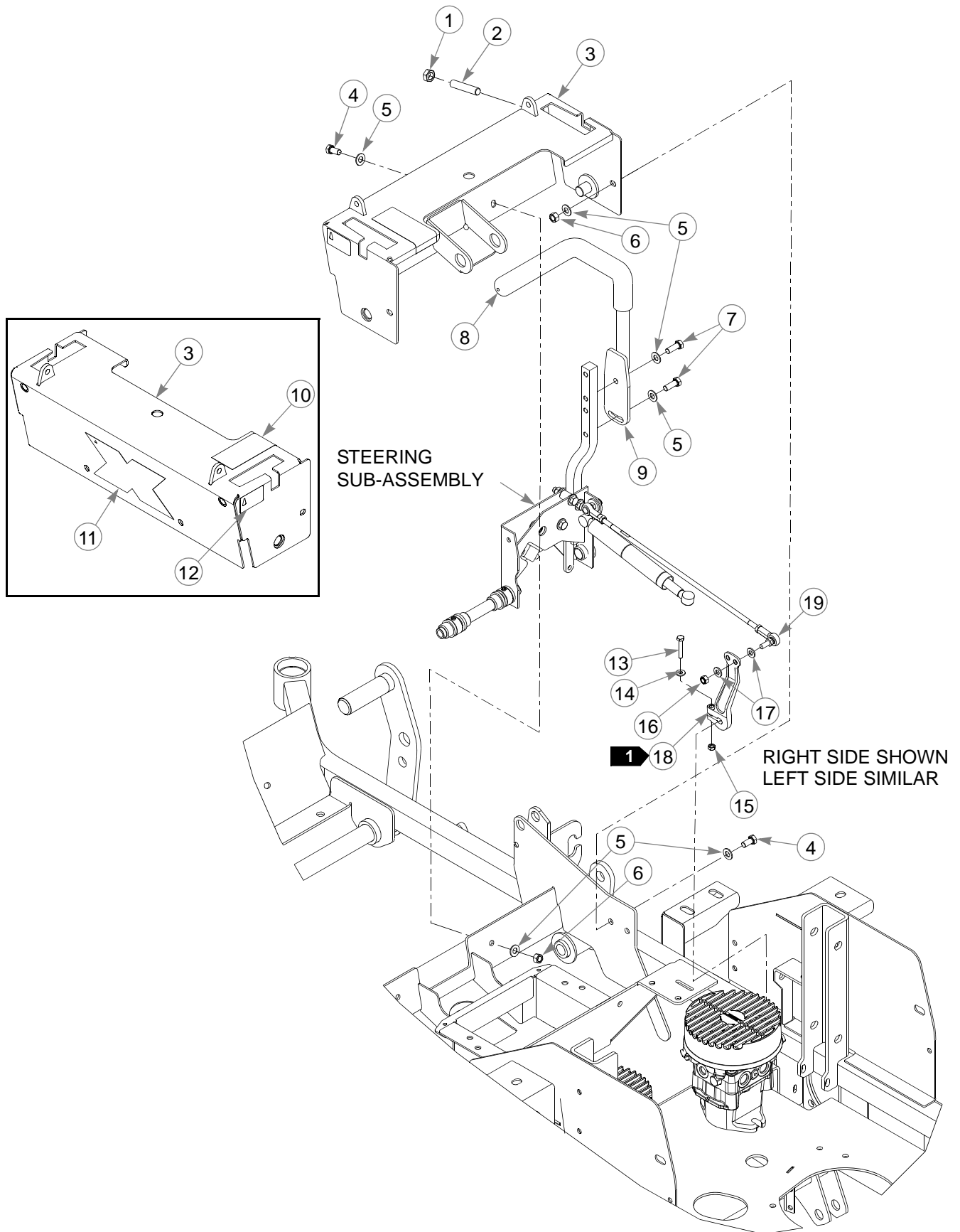
Hydraulic Motor Service Parts



INDEX NO.	PART NO.	QTY.	DESCRIPTION
1	064337	1	WOODRUFF KEY
2	065516	1	CASTLE NUT
3	748806	1	SEAL KIT (NOT SHOWN)

NOTES:

Steering



Steering

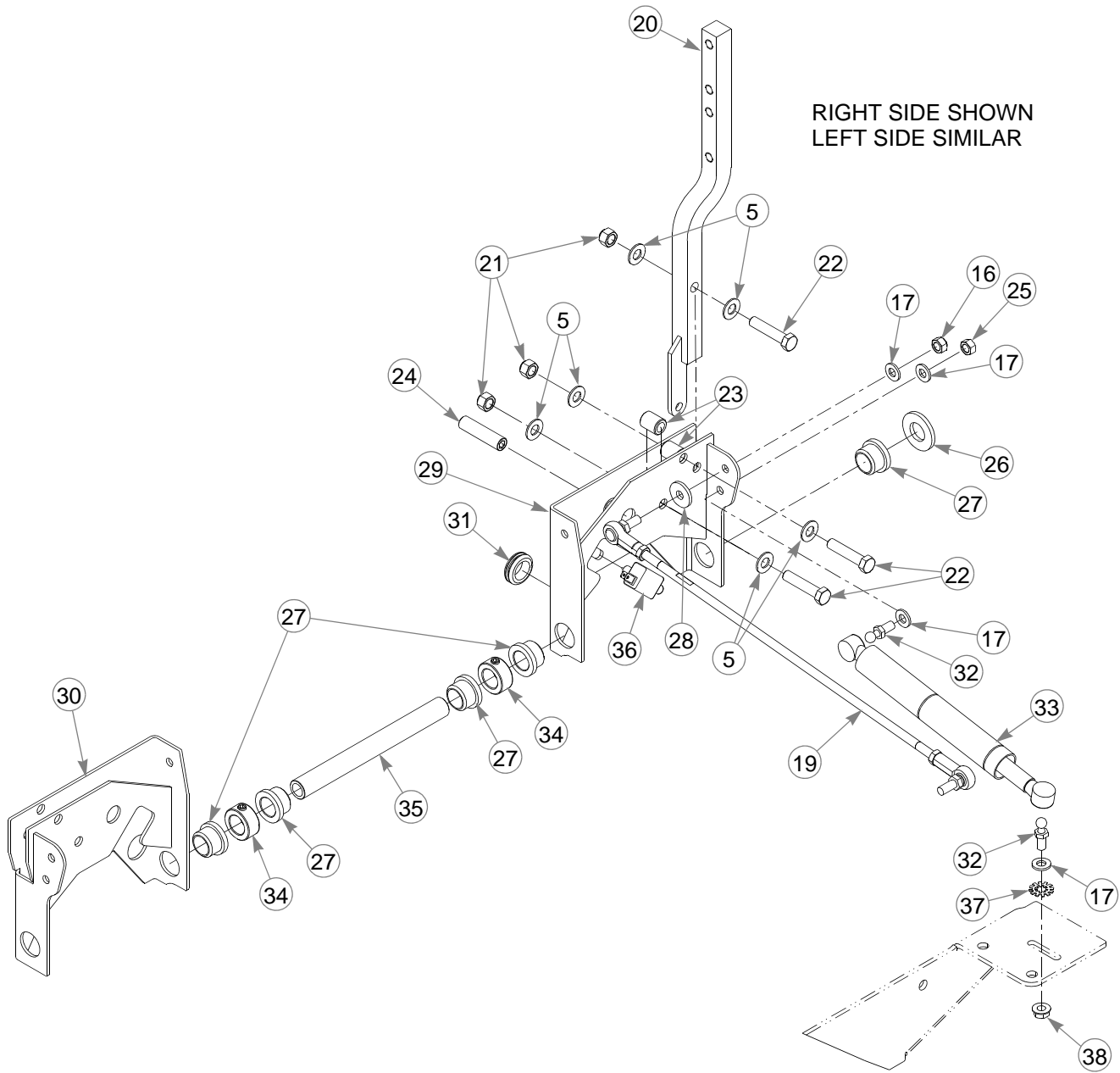
INDEX NO.	PART NO.	QTY.	DESCRIPTION
1	053199	2	NT .500-13 HX JAM ZNYC
2	603055	2	SS 1/2-13 X 2.50 SH ZNYC
3	550744	1	STEERING COVER (WITH DECALS)
4	055822	4	CS .375-16 X .75 HX G5
5	767954	24	FW .406 X .812 X .060 SAE
6	054502	4	NT .375-16 HX G5 ZNY
7	036244	4	CS .375-16 X 1.00 HX G5
8	781260	2	STEERING BAR GRIP
9	109839	2	HANDLE (WITH STEERING BAR GRIP)
10	722199	1	WEAR TAPE
11	603106	1	X-ONE ID DECAL
12	727172	1	MADE IN USA DECAL
13	008581	2	CS .250-20 X 1.50 HX G5
14	768515	2	FW .281 X .625 X .051/.080H
15	068551	2	NT .250-20 HX ZY NL
16	023655	4	NT .312-24 HX NL ZN
17	768523	12	FW .343 X .687 X .051/.080H
18	603200	2	PUMP ARM
19	781286	2	PUMP ROD ADJUSTER

NOTES:

1. For mowers with serial numbers prior to 11110861 order the Pump Arm Kit 113938.

Steering Sub Assembly

RIGHT SIDE SHOWN
LEFT SIDE SIMILAR

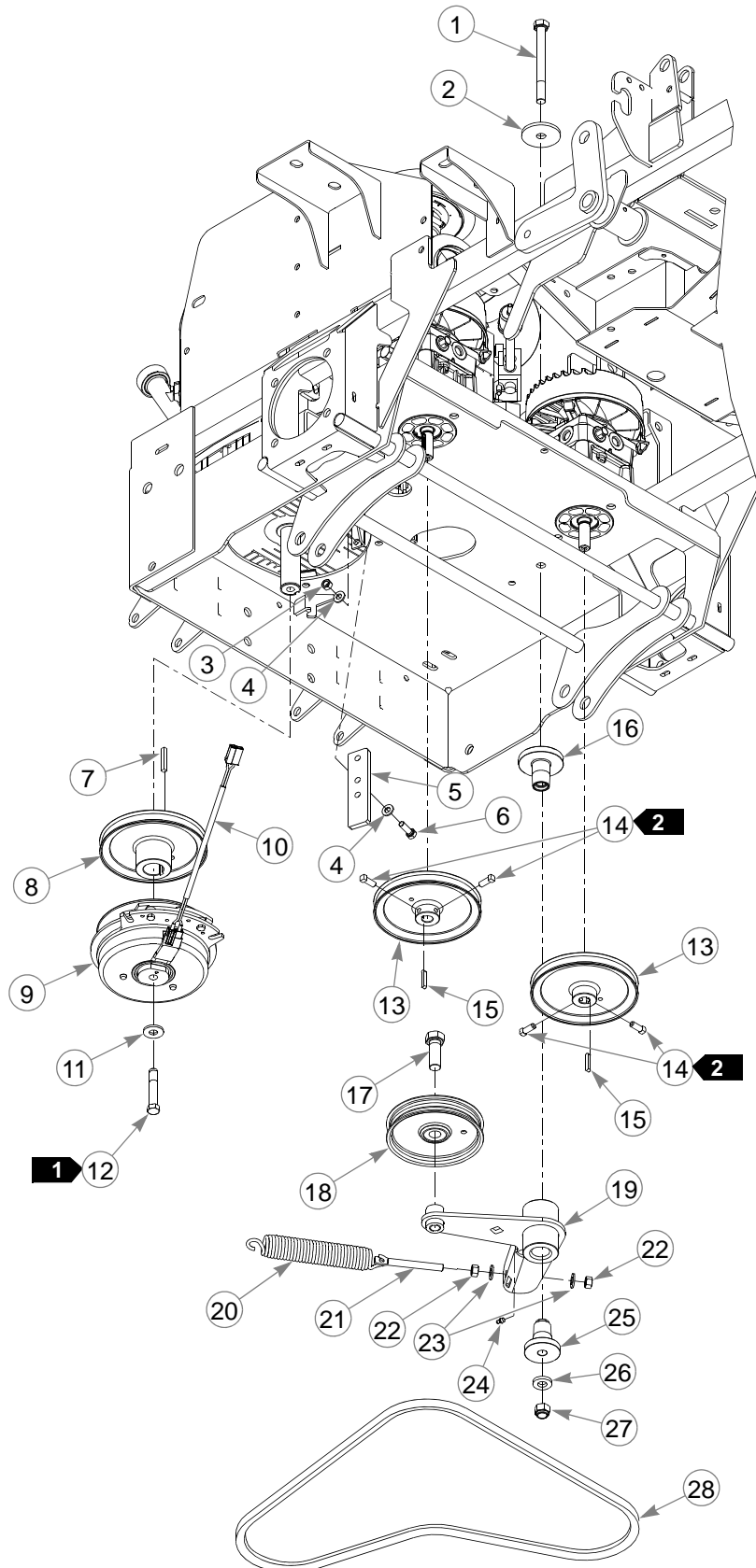


Steering Sub Assembly

INDEX NO.	PART NO.	QTY.	DESCRIPTION
20	113578	2	STEERING ARM
21	086660	6	NT .375-16 HX ZY NL
22	705178	6	CS .375-16 X 1.75 HX G5
23	348862	4	STEERLEVER BUSHING
24	797738	2	SS .500-13 X 2.00 SH ZY
25	034272	2	NT .312-18 HX G5 ZNYC
26	603078	2	FW .750 X 1.50 X .156 ZN
27	781153	6	BUSHING
28	712927	2	FW .344 X 1.00 X .12 HRD Z
29	112898	1	RS STEERING BOX
30	112899	1	LS STEERING BOX
31	047456	2	GM .750 X .188 X 1.00 X .12
32	781922	4	BALL STUD
33	795351	2	DAMPER
34	784439	2	LOCK COLLAR 0.757 ID
35	113365	1	STEER PIVOT TUBE
36	601087	2	SWITCH
37	029876	2	LW .312 INT-EXT TOOTH
38	016832	2	NT .312-18 HX FLK ZNYC

NOTES:

Pump Drive



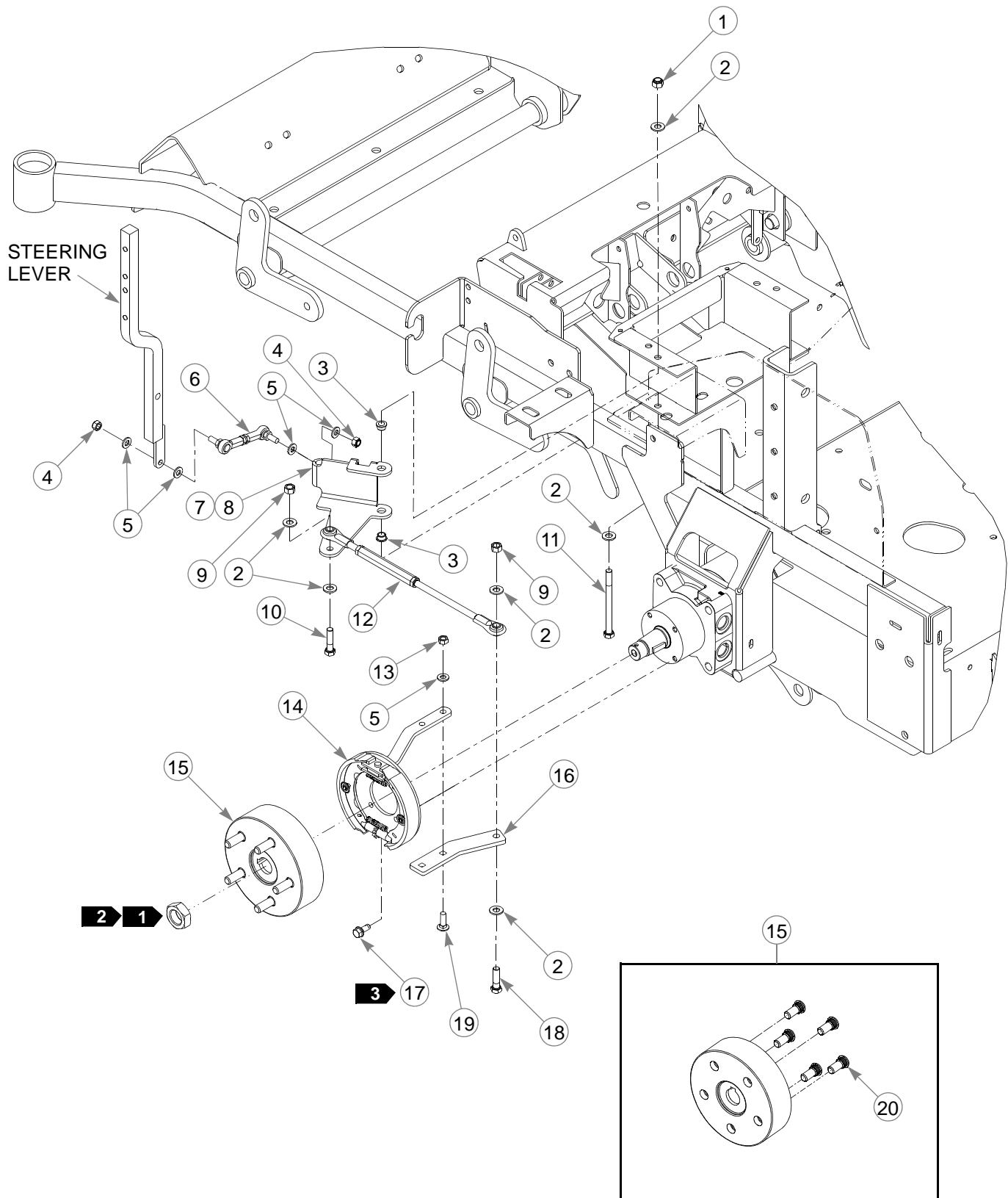
Pump Drive

INDEX NO.	PART NO.	QTY.	DESCRIPTION
1	051151	1	CS .500-13 X 5.00 HX G5
2	344267	1	FW .510 X 2.15 X .187 SPL
3	034272	2	NT .312-18 HX G5 ZNYC
4	768523	4	FW .343 X .687 X .051/.080H
5	113347	1	CLUTCH ANCHOR
6	036236	2	CS .312-18 X 1.00 HX G5
7	212076	1	KEY 1/4 SQ X 1.50 LG
8	602903	1	ENG PULLEY 5.78 OP
9	601311K	1	CLUTCH KIT
10	791251	1	CLUTCH HARNESS PIGTAIL
11	602680	1	FW .453 X 1.12 X .119 HRD
12	785659	1	CS .437-20 X 2.50 HX G5 P85
	785048	1	CS .437-20 X 3.00 HX G5 P85 (HONDA ENGINE ONLY)
13	602904	2	PUMP PULLEY 5.78 OP
14	083196	4	SS .312-18 X .75 SQ-HD
15	768127	2	KEY 5MM X 30MM
16	602880	1	IDLER PIVOT BUSHING
17	025007	1	CS .625-11 X 1.75 HX G5
18	602304	1	5" FLAT IDLER PULLEY
19	113403	1	TENSIONER
20	601016	1	IDLER SPRING
21	601486	1	EB, .375-16 X 3.00 FUL THD
22	054502	2	NT .375-16 HX G5 ZNY
23	767954	2	FW .406 X .812 X .060 SAE
24	015495	1	GREASE FITTING STRAIGHT
25	602879	1	IDLER PIVOT BUSHING
26	767962	1	FW .531 X 1.063 X .090 SAE
27	781567	1	NT .500-13 HX G8 ZY NL
28	602907	1	BELT, 61.5 A-SEC

NOTES:

1. Torque to 45–48 ft-lbs. Do not reuse the fastener if it is loosened or removed. Replace it with a new fastener. Use only hand tools to install this fastener.
2. Torque to 12–15 ft-lbs.

Brake



Brake

INDEX NO.	PART NO.	QTY.	DESCRIPTION
1	086660	2	NT .375-16 HX ZY NL
2	767954	12	FW .406 X .812 X .060 SAE
3	765339	4	BUSHING
4	023655	4	NT .312-24 HX NL ZN
5	768523	12	FW .343 X .687 X .051/.080H
6	781583	2	BRAKE ROD ASSEMBLY
7	113215	1	RS BRAKE BELLCRANK
8	113216	1	LS BRAKE BELLCRANK
9	054502	4	NT .375-16 HX G5 ZNY
10	080655	2	CS .375-16 X 1.50 HX G5
11	052514	2	CS .375-16 X 4.50 HX G5
12	350397	2	BRAKE LINK TURNBUCKLE
13	034272	4	NT .312-18 HX G5 ZNYC
14	602383	2	BRAKE ASSEMBLY
15	602384	2	HUB ASSEMBLY (WITH STUDS)
16	111309	2	BRAKE ARM
17	604461	8	CS 0.312-18 X 0.75 HS G8 FLANGE HEAD
18	005116	2	CS .375-16 X 1.375 HX G5
19	037887	4	CB .312-18 X 1.00 FULL ZN
20	601085	1	WHEEL STUD LUG 1/2-20

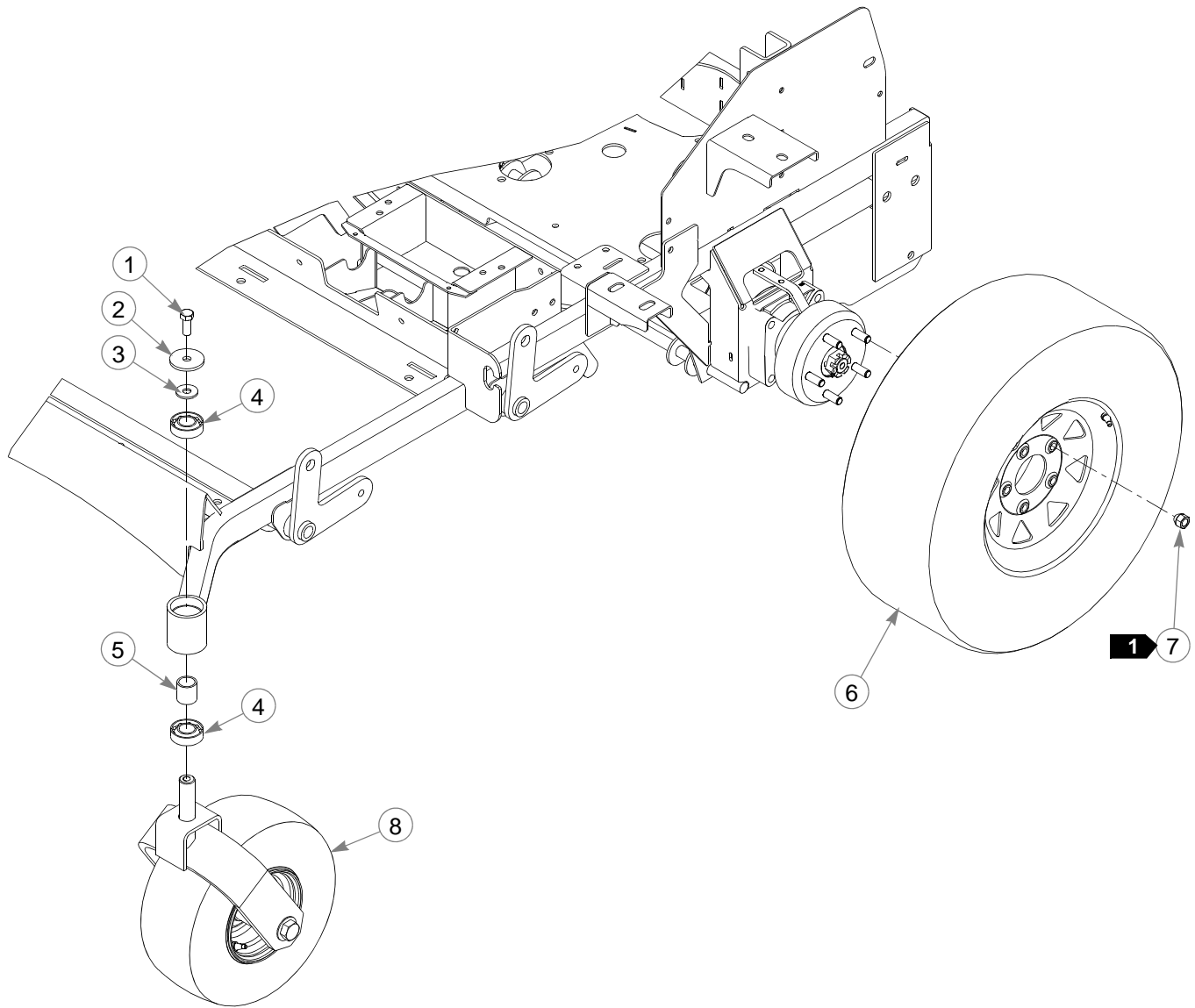
NOTES:

1. Included with the wheel motor.
2. Torque to 220-240 ft-lbs.
3. Torque the bolt to 27 ft-lbs.

Section 4

Wheel & Tire	4-2
Wheel & Tire, Flex Forks	4-4
Front Tire Breakdown—Smooth	4-6
Front Tire Breakdown—Ribbed	4-8
Drive Wheel Breakdown	4-10

Wheel & Tire



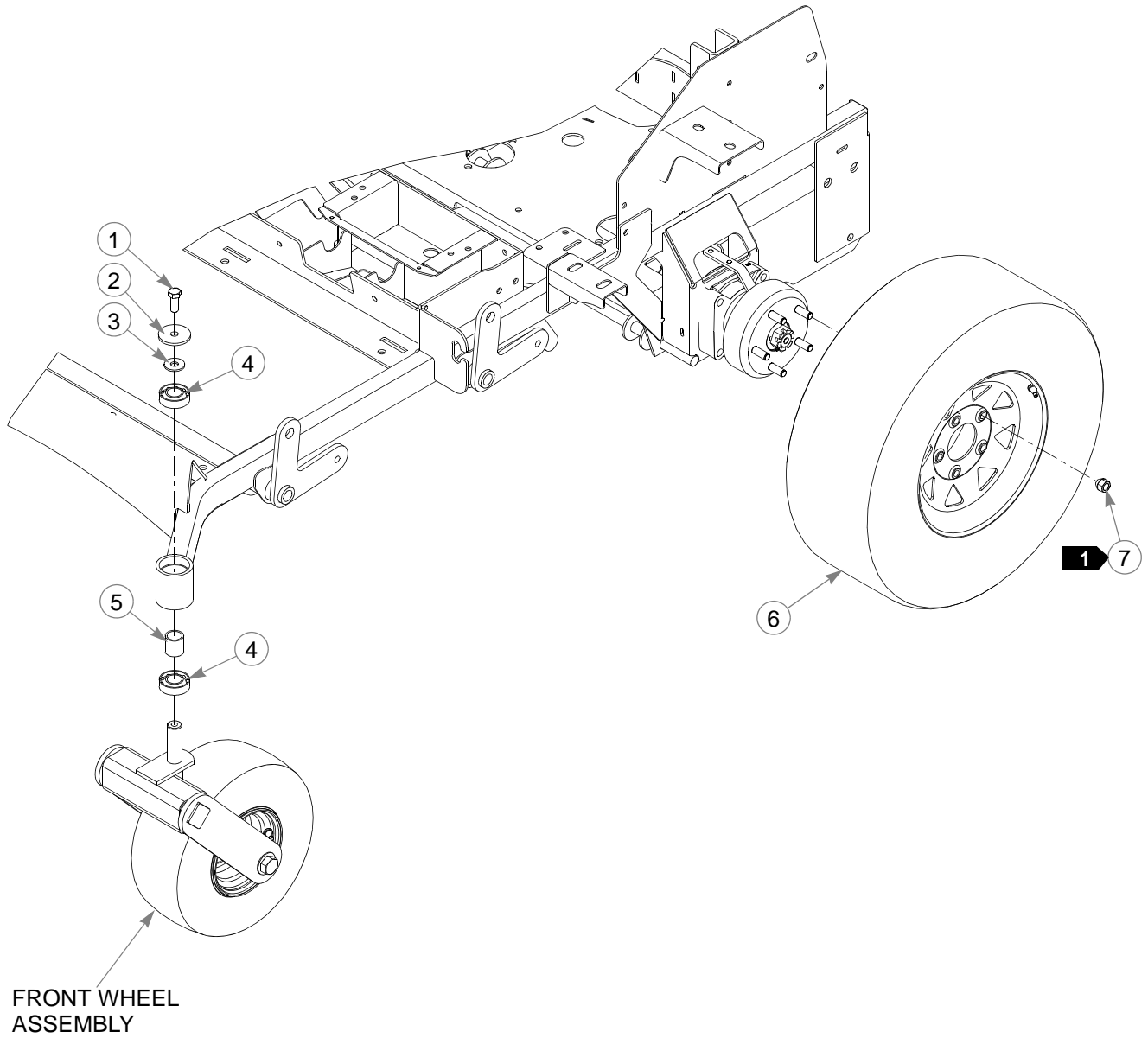
Wheel & Tire

INDEX NO.	PART NO.	QTY.	DESCRIPTION
1	705954	2	CS .500-13 X 1.25 HX G5 ZN
2	344267	2	FW .510 X 2.15 X .187 SPL
3	712976	2	FW .531 X 1.375 X .125 ZNY
4	784223	4	BEARING
5	784603	2	SPACER
6	782078	2	TIRE/WHEEL ASSEMBLY 24 X 9.50 (48" & 54" DECKS)
	784058	2	TIRE/WHEEL ASSEMBLY 24 X 12 (60" DECKS)
7	061077	10	WHEEL NUT
8	N/A	1	FRONT WHEEL SUB-ASSEMBLY

NOTES:

1. Torque to 65–75 ft-lbs.

Wheel & Tire, Flex Forks



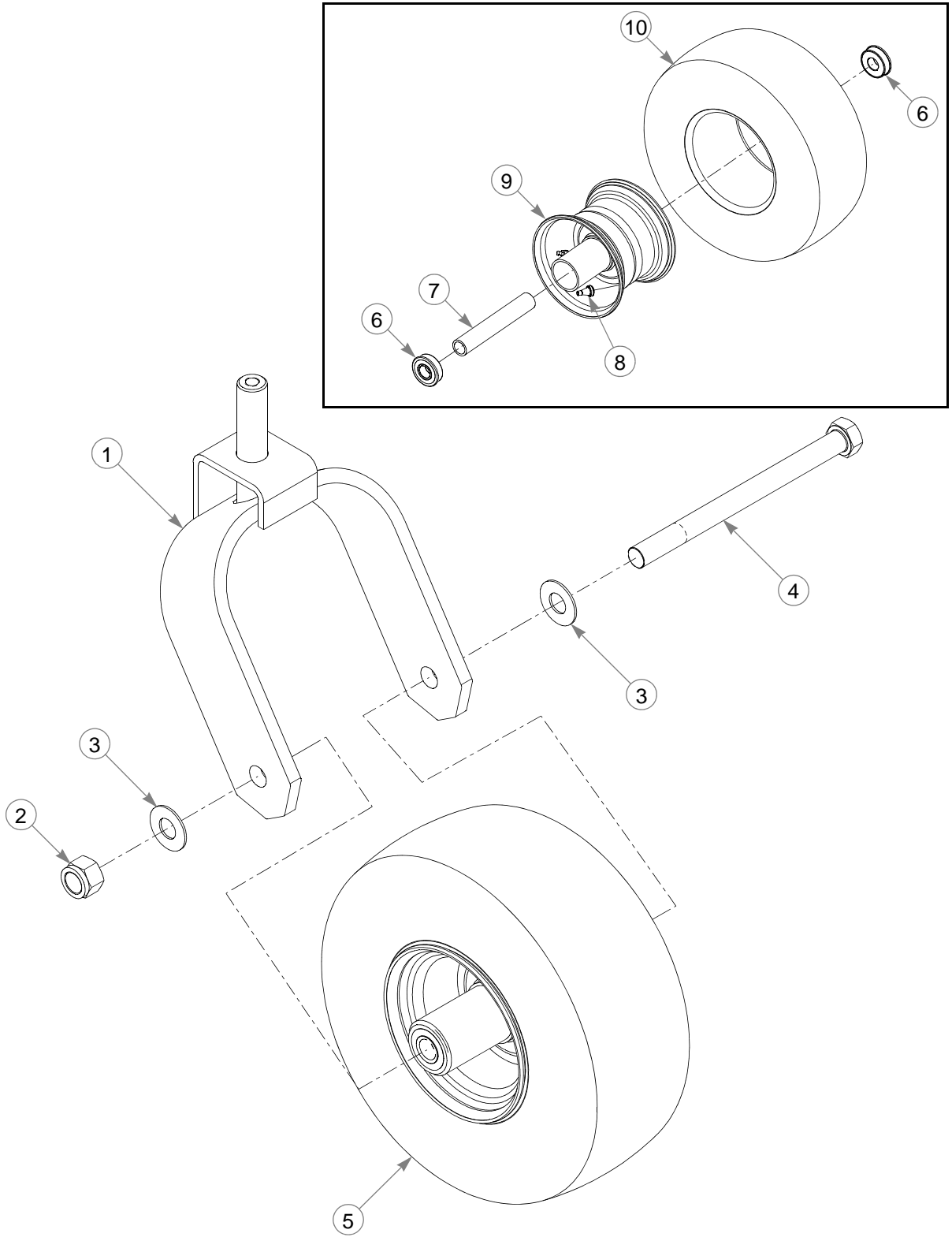
Wheel & Tire, Flex Forks

INDEX NO.	PART NO.	QTY.	DESCRIPTION
1	705954	2	CS .500-13 X 1.25 HX G5 ZN
2	344267	2	FW .510 X 2.15 X .187 SPL
3	712976	2	FW .531 X 1.375 X .125 ZNY
4	784223	4	BEARING
5	784603	2	SPACER
6	782078	2	TIRE/WHEEL ASSEMBLY 24 X 9.50 (USED WITH 48" & 54" DECKS)
	784058	2	TIRE/WHEEL ASSEMBLY 24 X 12 X 12 (USED WITH 60" DECK)
7	061077	10	WHEEL NUT

NOTES:

1. Torque to 65–75 ft-lbs.

Front Tire Breakdown—Smooth

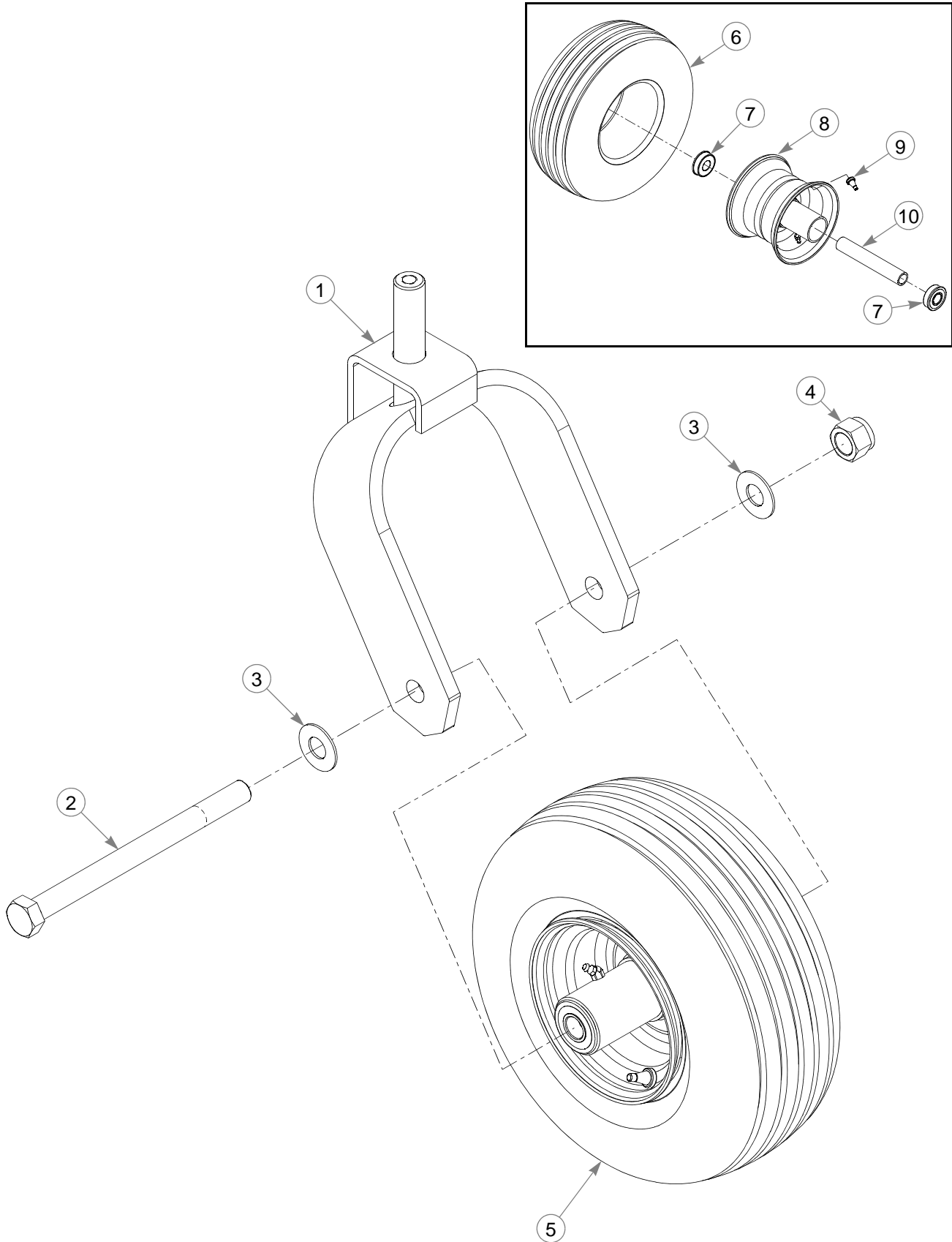


Front Tire Breakdown—Smooth

INDEX NO.	PART NO.	QTY.	DESCRIPTION
1	602870	1	FORK
2	061101	1	NT .750-10 HX ZY NL
3	025296	2	FW .760 X 1.625 X .08 ZNYC
4	041475	1	CS .750-10 X 9.50 HX ZY
5	604898	1	TIRE/WHEEL ASSEMBLY 13 X 6.50
6	039677	2	WHEEL BEARING
7	782771	1	BEARING SPACER
8	019521	1	VALVE STEM
9	747832	1	WHEEL, 6 X 4.5
10	604843	1	TIRE, 13 X 6.50-6 SMOOTH

NOTES:

Front Tire Breakdown—Ribbed

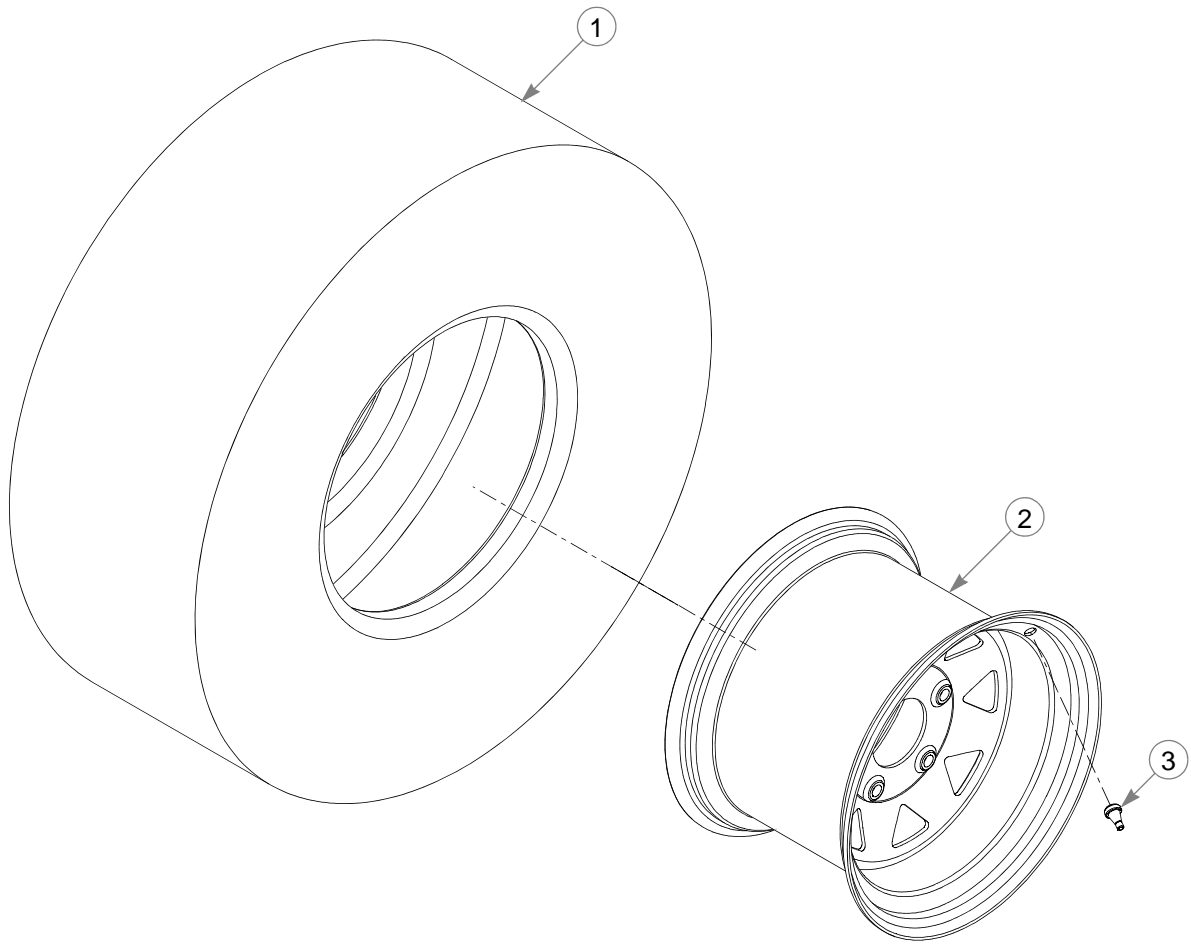


Front Tire Breakdown—Ribbed

INDEX NO.	PART NO.	QTY.	DESCRIPTION
1	602870	1	FORK
2	041475	1	CS .750-10 X 9.50 HX ZY
3	025296	2	FW .760 X 1.625 X .08 ZNYC
4	061101	1	NT .750-10 HX ZY NL
5	747782	1	TIRE/WHEEL ASSEMBLY 13 X 6.50
6	747741	1	TIRE 13 X 6.5
7	039677	2	WHEEL BEARING
8	747832	1	WHEEL 6 X 4.5
9	019521	1	VALVE STEM
10	782771	1	BEARING SPACER

NOTES:

Drive Wheel Breakdown



782078 TIRE/WHEEL ASSEMBLY (48" & 54" DECKS)

INDEX NO.	PART NO.	QTY.	DESCRIPTION
1	782284	1	TIRE 24 X 9.50-12
2	782086	1	WHEEL 12 X 7.00
3	019521	1	VALVE STEM

784058 TIRE/WHEEL ASSEMBLY (60" DECKS)

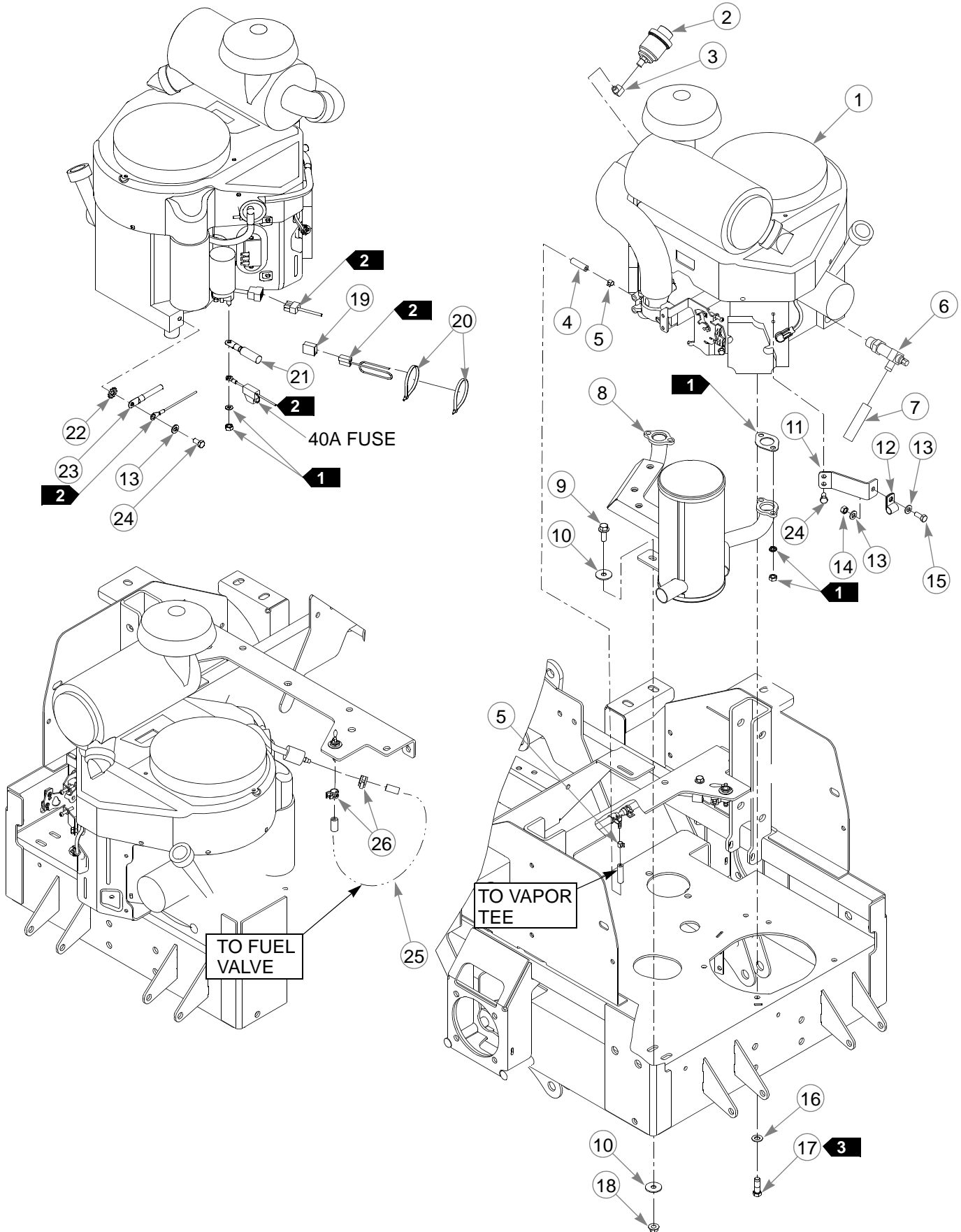
INDEX NO.	PART NO.	QTY	DESCRIPTION
1	781245	1	TIRE 24 X 12-12
2	784066	1	WHEEL 12 X 8.50
3	019521	1	VALVE STEM

NOTES:

Section 5

Engine, Kawasaki FX691V & FX730V	5-2
Engine, Kawasaki FX691V & FX730V	5-4
Engine, Kawasaki FX850V	5-10
Engine Service Parts, Kawasaki FX691V, FX730V & FX850V	5-12
Engine, Kohler CV740	5-14
Engine Service Parts, Kohler CV740	5-16
Fuel System—S/N 12022042 & Higher	5-18
Fuel System—S/N Prior to 12022042	5-20
Fuel & Evap Service Parts—S/N 12092657 & Higher	5-22
Fuel & Evap Service Parts—S/N Prior to 12092657	5-23

Engine, Kawasaki FX691V & FX730V



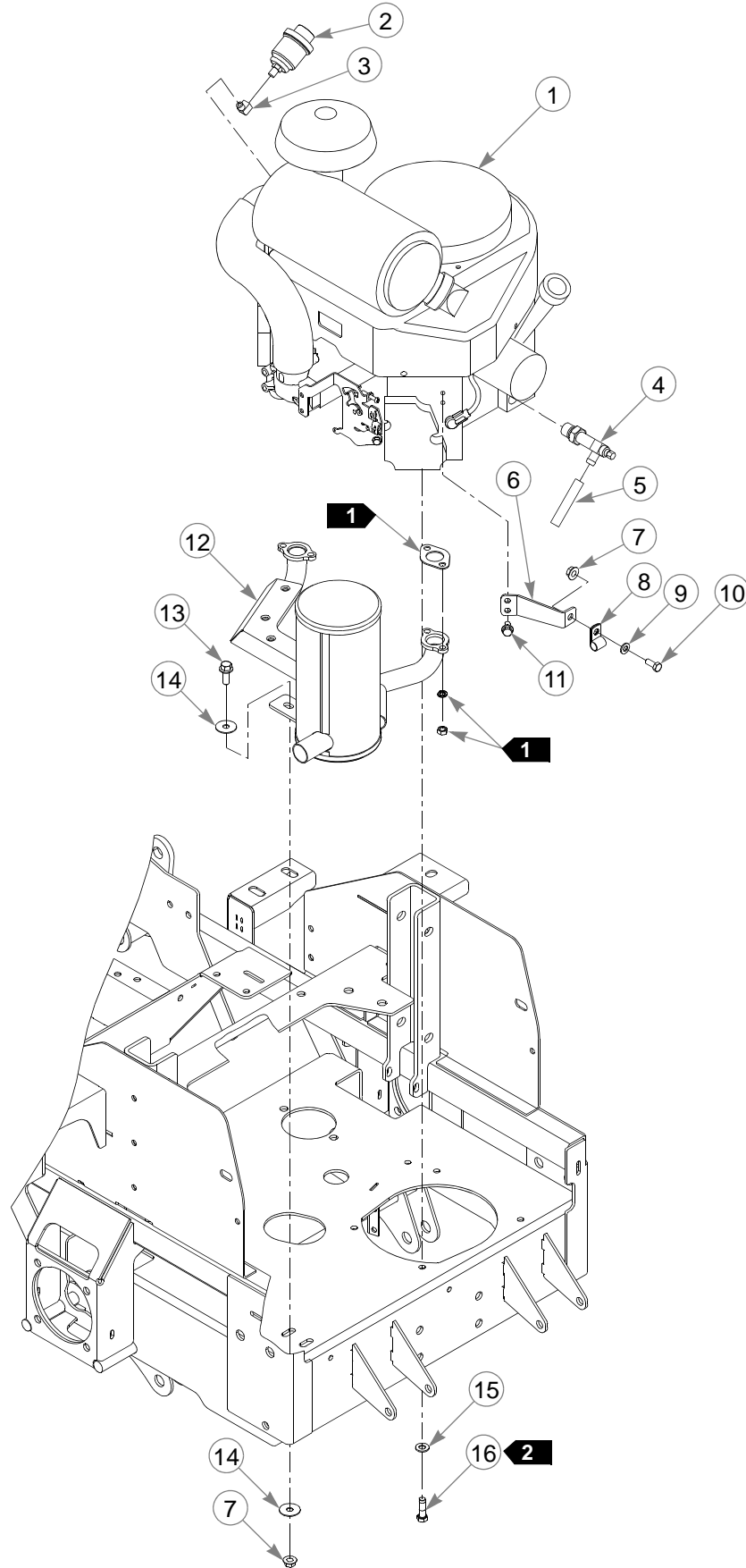
Engine, Kawasaki FX691V & FX730V

INDEX NO.	PART NO.	QTY.	DESCRIPTION
1	N/A	1	KAWASAKI FX691V & FX730V ENGINE
2	788943	1	AIR FILTER INDICATOR
3	601216	1	ELBOW STREET FITTING
4	603326	17"	3/16" VAPOR LINE
5	603112	2	CLAMP, 3/16"
6	796524	1	OIL DRAIN VALVE
7	604463	3"	OIL DRAIN HOSE
8	602772	1	MUFFLER
9	029751	2	CS .375-16 X 1.00 HXFLK
10	705137	4	FW .391 X 1.25 X .060 ZNY
11	113970	1	CABLE GUIDE
12	000398	1	LOOP CLAMP
13	768523	3	FW .343 X .687 X .051/.080
14	034272	1	NT .312-18 HX G5 ZNYC
15	034280	1	CS .312-18X .75 HX G5
16	767954	4	FW .406 X .812 X .060 SAE
17	602580	4	CS .375-16 X 1.25 HX G5 P85
18	016899	2	NT .375-16 HX FLK ZNYC
19	789131	1	FAN CAP
20	000331	3	WIRE TIE
21	786632	1	RED POSITIVE BATTERY CABLE
22	029876	1	LW .312 INT-EXT TOOTH
23	744284	1	NEGATIVE BATTERY CABLE
24	720516	3	CS M8 X 1.25 X 16 G10.9
25	015818	12"	1/4" FUEL LINE
26	000323	2	HOSE CLAMP

NOTES:

1. Supplied with the engine.
2. Part of the wire harness.
3. Torque the cap screw to 30 ft-lbs. Replace (do not reuse) the cap screw if it is removed or loosened. Use only hand tools to install this fastener.

Engine, Kawasaki FX691V & FX730V



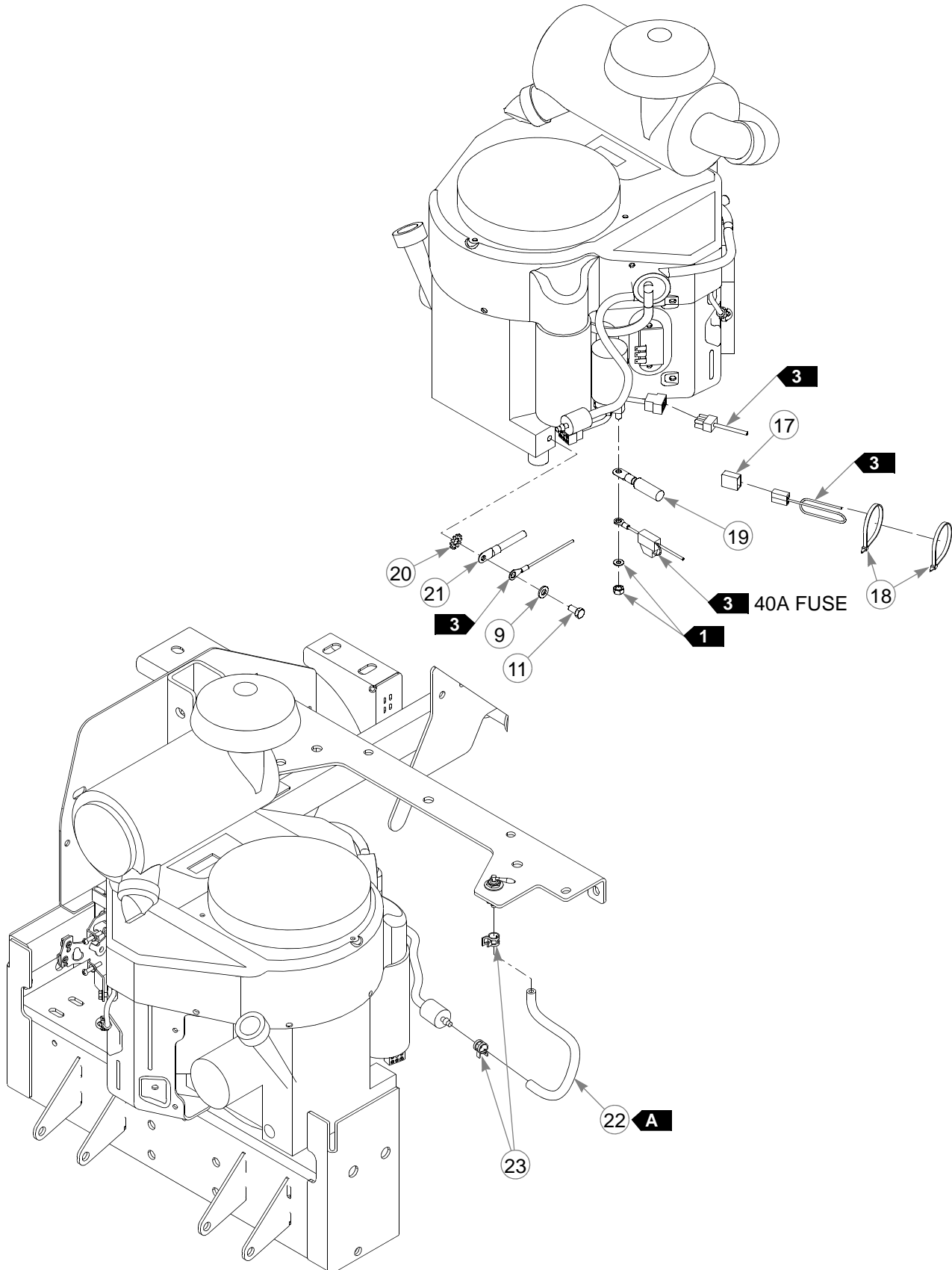
Engine, Kawasaki FX691V & FX730V

INDEX NO.	PART NO.	QTY.	DESCRIPTION
1	N/A	1	KAWASAKI FX691V & FX730V ENGINES
2	788943	1	AIR FILTER INDICATOR
3	601216	1	ELBOW STREET FITTING
4	796524	1	OIL DRAIN VALVE
5	604463	3"	OIL DRAIN HOSE
6	113970	1	CABLE GUIDE
7	016899	3	NT .375-16 HX FLK ZNYC
8	000398	1	LOOP CLAMP
9	768523	2	FW .343 X .687 X .051/.080H
10	034280	1	CS .312-18 X .75 HX G5
11	720516	3	CS M8 X 1.25 X 16 HX G10.9
12	602772	1	MUFFLER
13	029751	2	CS .375-16 X 1.00 HXFLK
14	705137	4	FW .391 X 1.25 X .060 ZNY
15	767954	4	FW .406 X .812 X .060 SAE
16	602580	4	CS .375-16 X 1.25 HX G5 P85

NOTES:

1. Supplied with the engine.
2. Torque the bolt to 30 ft-lbs. Replace (do not reuse) the cap screw if it is removed or loosened. Use only hand tools to install this fastener.


Engine, Kawasaki FX691V & FX730V



Engine, Kawasaki FX691V & FX730V

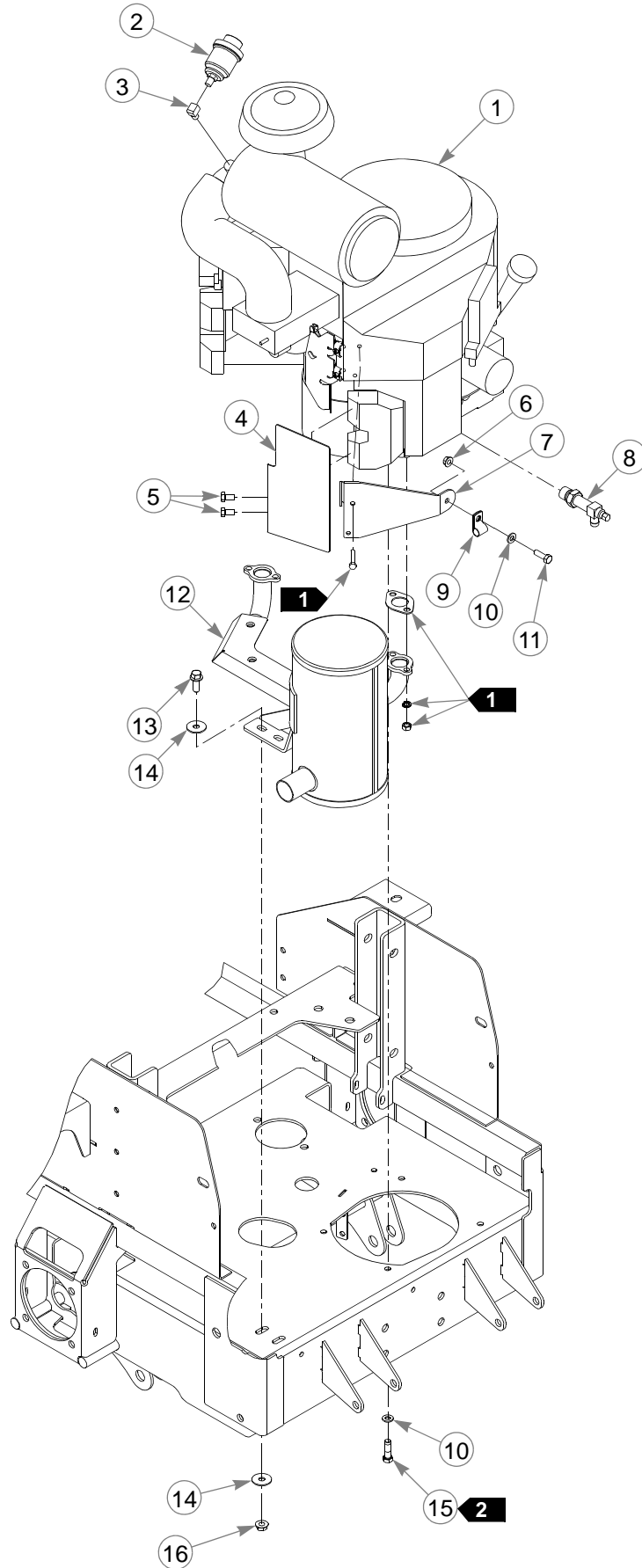
INDEX NO.	PART NO.	QTY.	DESCRIPTION
17	789131	1	FAN CAP
18	000331	2	WIRE TIE
19	786632	1	RED POSITIVE BATTERY CABLE
20	029876	1	LW .312 INT-EXT TOOTH
21	744284	1	NEGATIVE BATTERY CABLE
22	015818	12"	1/4" FUEL LINE
23	000323	2	HOSE CLAMP

NOTES:

FUEL LINE LENGTHS		
	12"	FUEL VALVE TO FUEL FILTER

3. Part of the wire harness.

Engine, Kawasaki FX850V



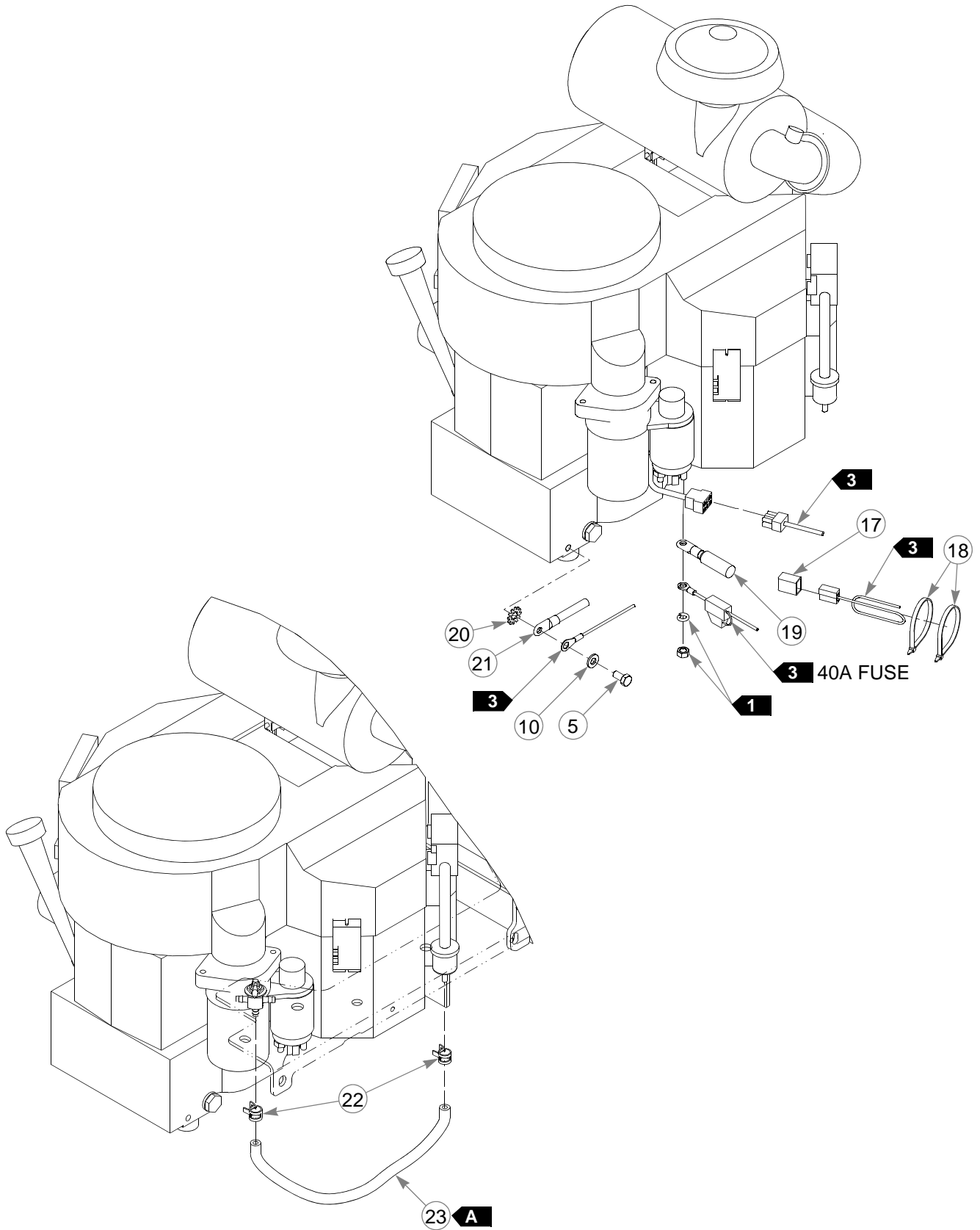
Engine, Kawasaki FX850V

INDEX NO.	PART NO.	QTY.	DESCRIPTION
1	N/A	1	KAWASAKI FX850V ENGINE
2	788943	1	AIR FILTER INDICATOR
3	601216	1	ELBOW STREET FITTING
4	113714	1	SHIELD
5	720516	3	CS M8 X 1.25 X 16 G10.9 HX
6	016832	1	NT .312-18 HXFLK ZNYC
7	115652	1	LIFT HOOK
8	796524	1	OIL DRAIN VALVE
9	000398	1	LOOP CLAMP
10	768523	6	FW .343 X .687 X .051/.080H
11	036236	1	CS .312-18 X 1.00 HX G5
12	603924	1	MUFFLER
13	029751	2	CS .375-16 X 1.00 HXFLK
14	705137	4	FW .391 X 1.25 X .060 ZNY
15	602580	4	CS .375-16 X 1.25 HXG5 P85
16	016899	2	NT .375-16 HXFLK ZNYC

NOTES:

1. Supplied with the engine.
2. Torque the bolt to 30 ft-lbs Replace (do not reuse) the cap screw if it is removed or loosened. Use only hand tools to install this fastener.


Engine, Kawasaki FX850V



Engine, Kawasaki FX850V

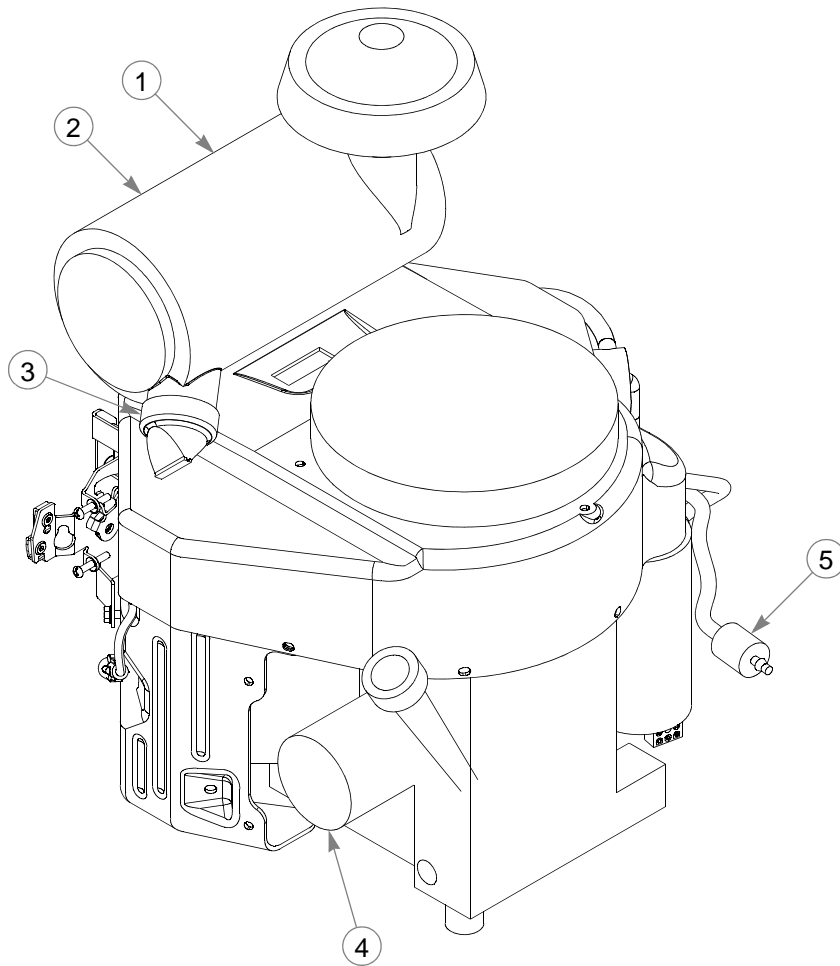
INDEX NO.	PART NO.	QTY.	DESCRIPTION
17	789131	1	FAN CAP
18	000331	2	WIRE TIE
19	786632	1	RED POSITIVE BATTERY CABLE
20	029876	1	LW .312 INT-EXT TOOTH
21	744284	1	NEGATIVE BATTERY CABLE
22	000323	2	HOSE CLAMP
23	015818	12"	1/4" FUEL LINE

NOTES:

FUEL & VAPOR LINE LENGTHS		
	12"	FUEL VALVE TO FUEL FILTER

3. Part of the wire harness.

Engine Service Parts, Kawasaki FX691V, FX730V & FX850V

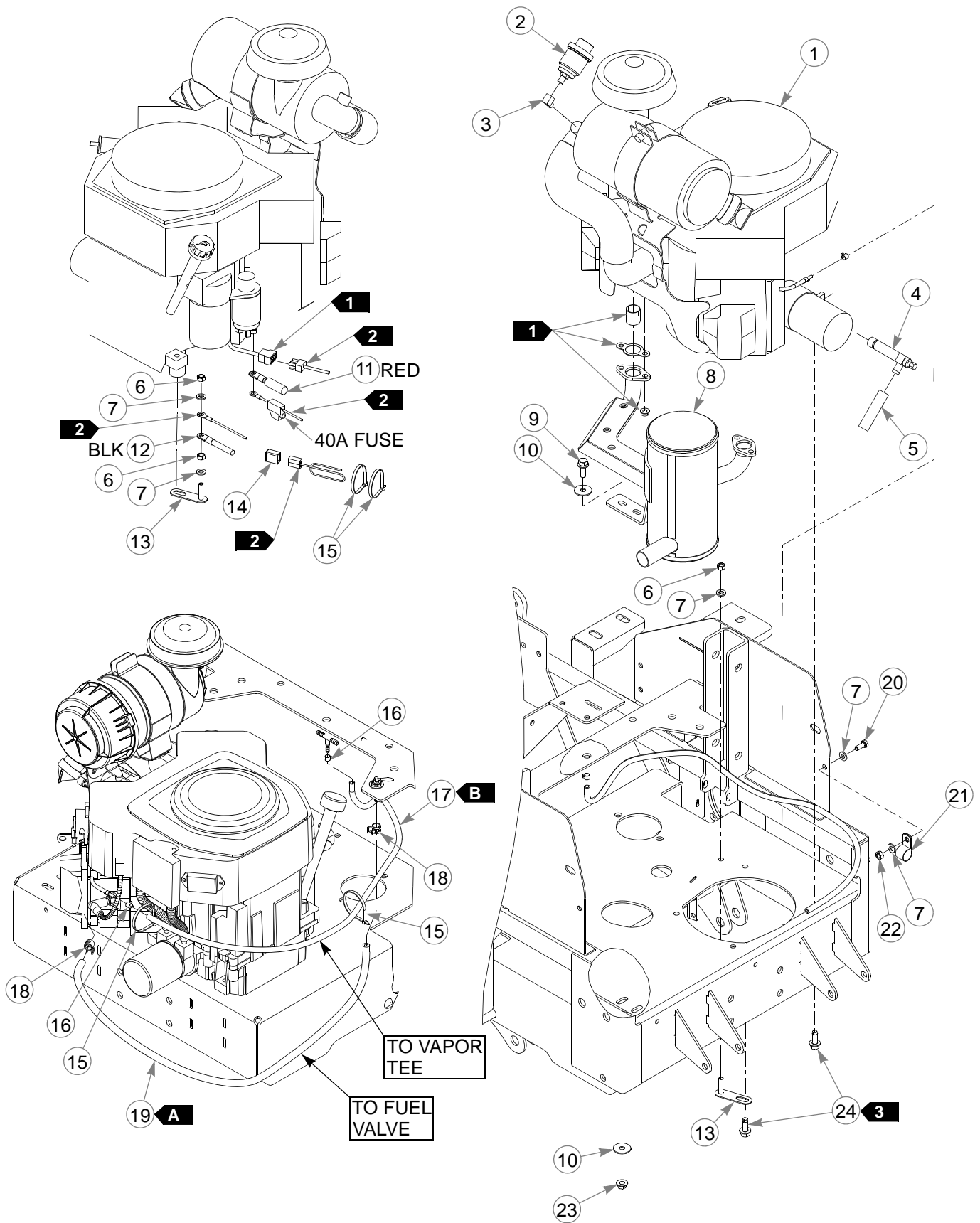


INDEX NO.	PART NO.	QTY.	DESCRIPTION
1	785261	1	AIR CLEANER ELEMENT
2	785279	1	SAFETY FILTER ELEMENT
3	763318	1	VACUATOR VALVE
4	602581	1	KAWASAKI ENGINE OIL FILTER (FX691V & FX730V ONLY)
	603138	1	KAWASAKI ENGINE OIL FILTER (FX850V ONLY)
5	068478	1	FUEL FILTER

NOTES:

This page intentionally left blank.

Engine, Kohler CV740





Engine, Kohler CV740

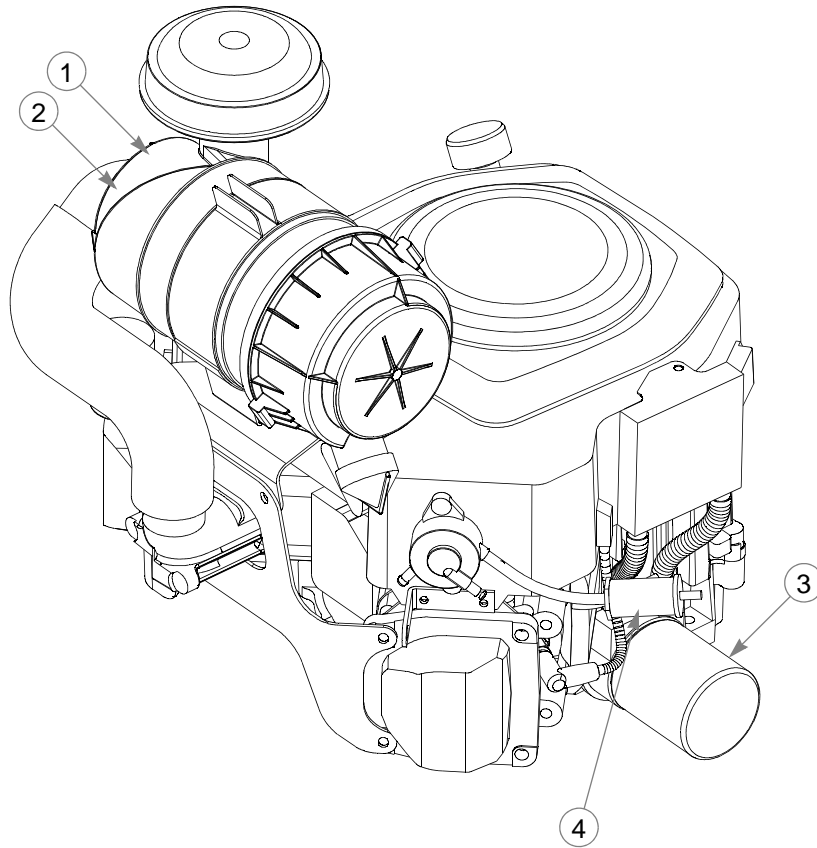
INDEX NO.	PART NO.	QTY.	DESCRIPTION
2	788943	1	AIR FILTER INDICATOR
3	601216	1	ELBOW STREET FITTING
4	796672	1	OIL DRAIN VALVE 3/8-18
5	787713	3"	HOSE, 0.50" LOW PRESSURE
6	058776	2	NT .312-18 HX ZY NL
7	768523	5	FW .343 X .687 X .051/.080H
8	602776	1	MUFFLER
9	029751	2	CS .375-16 X 1.00 HXFLK
10	705137	4	FW .391 X 1.25 X .060 ZNY
11	786632	1	RED POSITIVE BATTERY CABLE
12	744284	1	NEGATIVE BATTERY CABLE
13	111894	1	GROUND STRAP
14	789131	1	FAN CAP
15	000331	4	WIRE TIE
16	603112	2	CLAMP, 3/16"
17	603326	36"	3/16" VAPOR LINE
18	000323	2	HOSE CLAMP
19	015818	29"	1/4" FUEL LINE
20	034280	1	CS .312-18 X .75 HX G5
21	043570	1	LOOP CLAMP
22	034272	2	NT .312-18 HX G5 ZNYC
23	016899	2	NT .375-16 HX FLK ZNYC
24	792788	4	SC.375-16 X 1.0 HX FL STP

NOTES:

1. Supplied with the engine.
2. Part of the wire harness.
3. Torque to 30 ft-lbs.

FUEL & VAPOR LINE LENGTHS		
A 	29"	VALVE TO ENGINE (FUEL)
B 	36"	TEE TO ENGINE (VAPOR)

Engine Service Parts, Kohler CV740

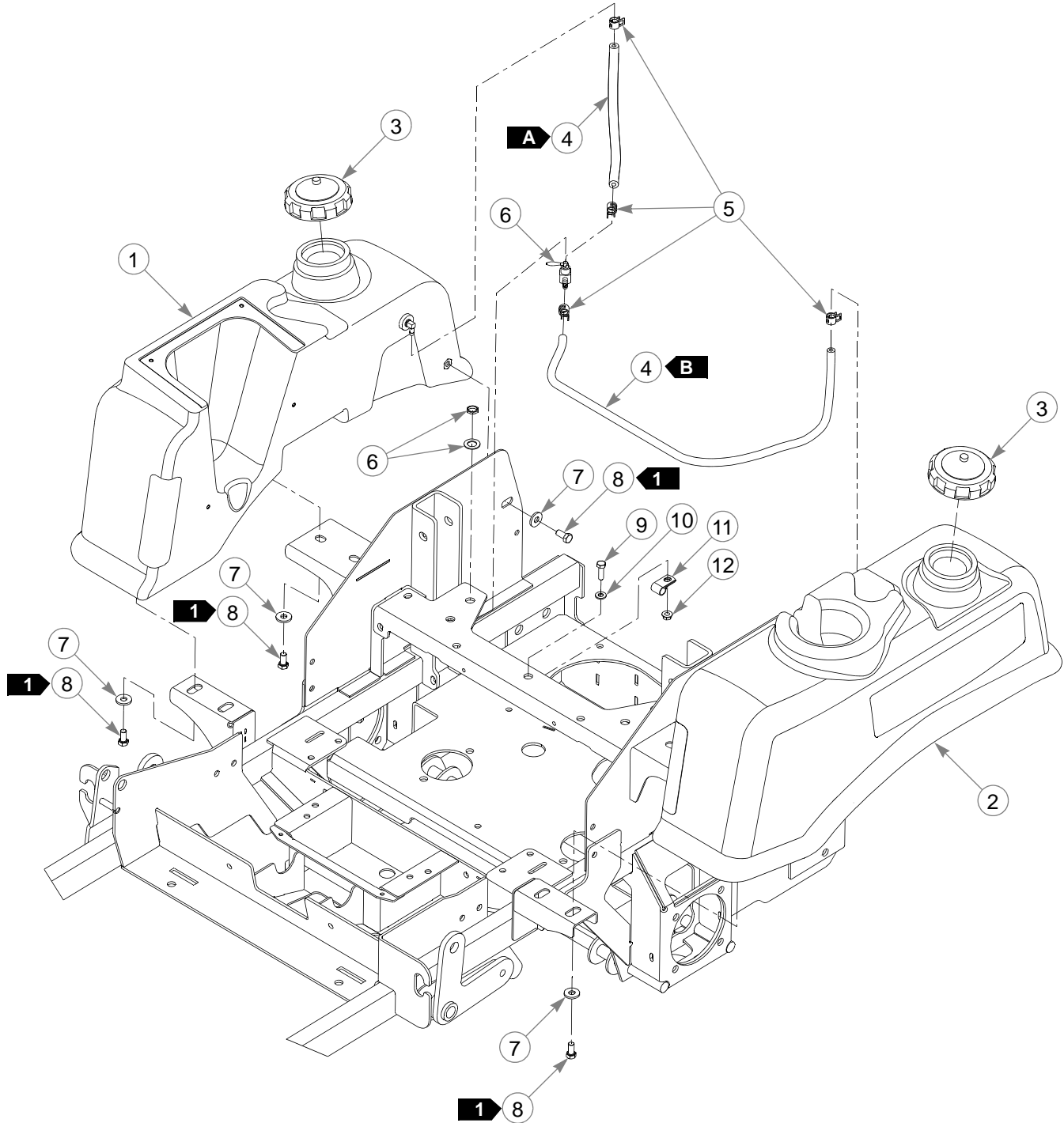


INDEX NO.	PART NO.	QTY.	DESCRIPTION
1	602587	1	MAIN AIR FILTER ELEMENT
2	602586	1	AIR FILTER PRECLEANER
3	747303	1	KOHLER ENGINE OIL FILTER
4	068478	1	IN-LINE FUEL FILTER

NOTES:

This page intentionally left blank.

Fuel System—S/N 12022042 & Higher



Fuel System—S/N 12022042 & Higher

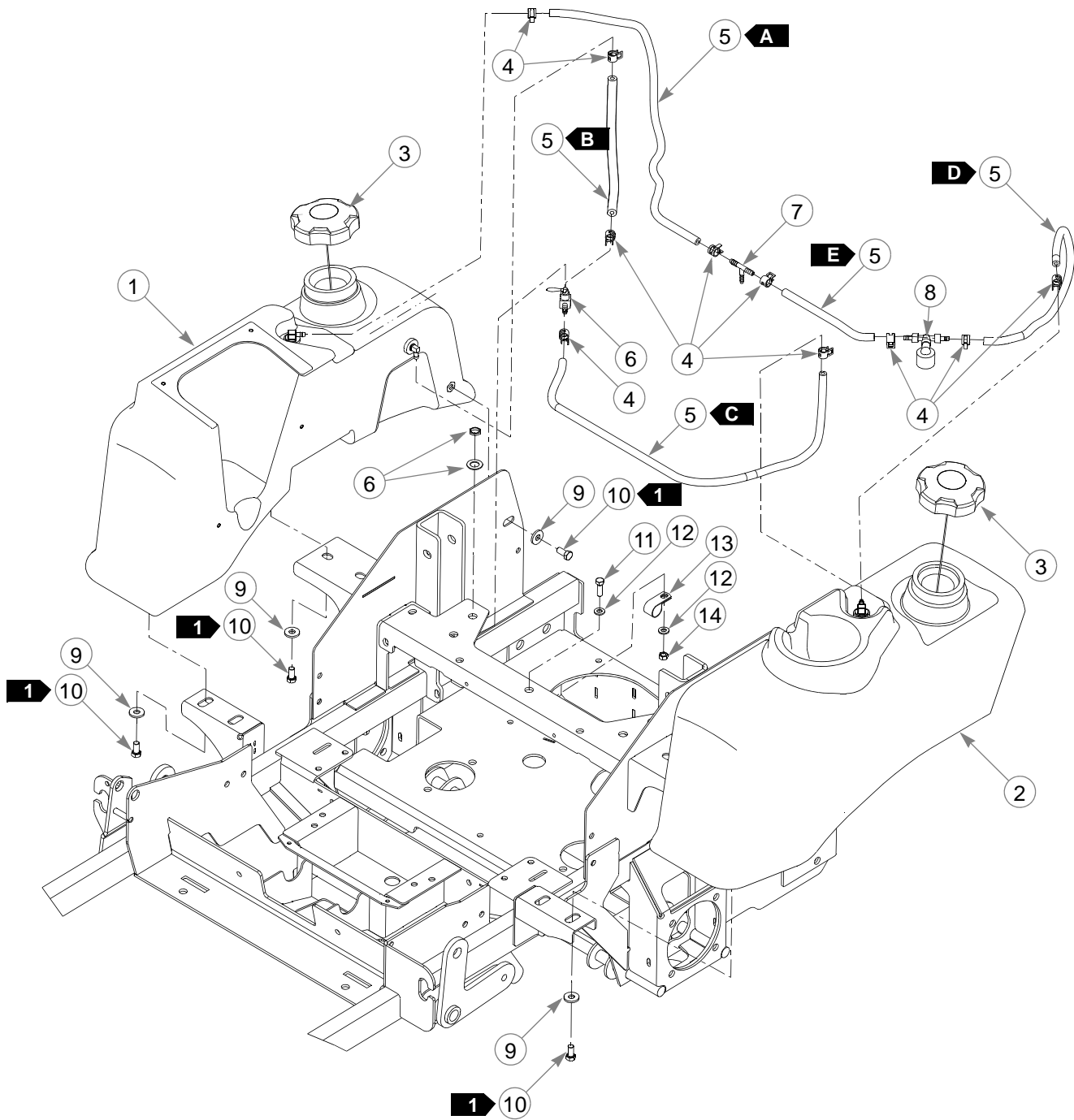
INDEX NO.	PART NO.	QTY.	DESCRIPTION
1	603974	1	RS FUEL TANK ASSEMBLY
2	603975	1	LS FUEL TANK ASSEMBLY
3	779306	2	FUEL CAP, 3.5"
4	015818	43"	1/4" FUEL LINE
5	000323	4	HOSE CLAMP
6	745059	1	FUEL VALVE 3-WAY
7	712919	10	FW .406 X 1.00 X.12 HRD Z
8	055822	10	CS .375-16 X .75 HX G5
9	036236	3	CS .312-18 X 1.00 HX G5
10	768523	3	FW .343 X .687 X .051/.080H
11	000398	3	LOOP CLAMP
12	016832	3	NT .312-18 HXFLK ZNYC

NOTES:

1. Torque to 20 ft-lbs.

FUEL LINE LENGTHS		
A	12"	RIGHT TANK TO FUEL VALVE
B	31"	LEFT TANK TO FUEL VALVE

Fuel System—S/N Prior to 12022042



Fuel System—S/N Prior to 12022042

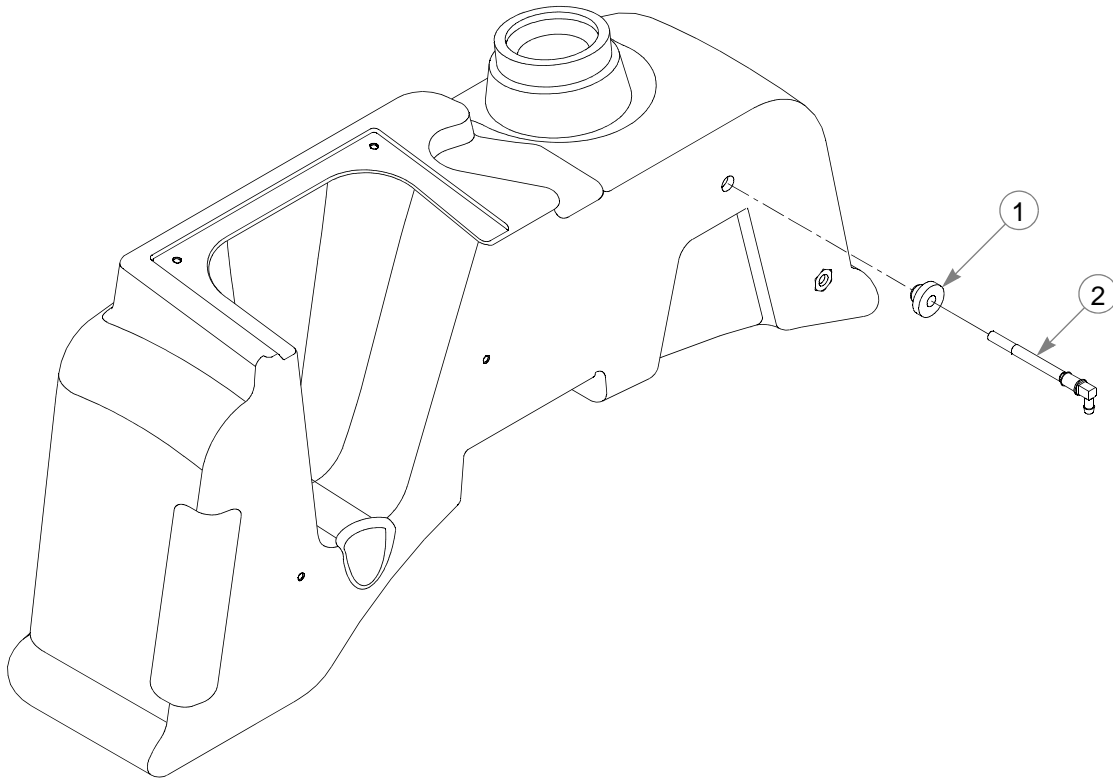
INDEX NO.	PART NO.	QTY.	DESCRIPTION
1	602989	1	RS FUEL TANK ASSEMBLY
2	602990	1	LS FUEL TANK ASSEMBLY
3	602916	2	RATCHETING GAS CAP 3.5"
4	000323	12	HOSE CLAMP
5	015818	101"	1/4" FUEL LINE
6	745059	1	FUEL VALVE 3-WAY
7	603025	1	PLASTIC TEE 1/4" X 1/4" X 3/16"
8	603024	1	VACUUM BREAKER
9	712919	10	FW .406 X 1.00 X .12 HRD Z
10	055822	10	CS .375-16 X .75 HX G5
11	036236	3	CS .312-18 X 1.00 HX G5
12	768523	6	FW .343 X .687 X .051/.080H
13	043570	3	LOOP CLAMP
14	034272	3	NT .312-18 HX G5 ZNYC

NOTES:

1. Torque to 20 ft-lbs.

FUEL LINE LENGTHS		
A	28"	RIGHT TANK TO TEE (VAPOR)
B	12"	RIGHT TANK TO VALVE (FUEL)
C	31"	LEFT TANK TO VALVE (FUEL)
D	22"	LEFT TANK TO VACUUM BREAKER (VAPOR)
E	8"	TEE TO VACUUM BREAKER (VAPOR)

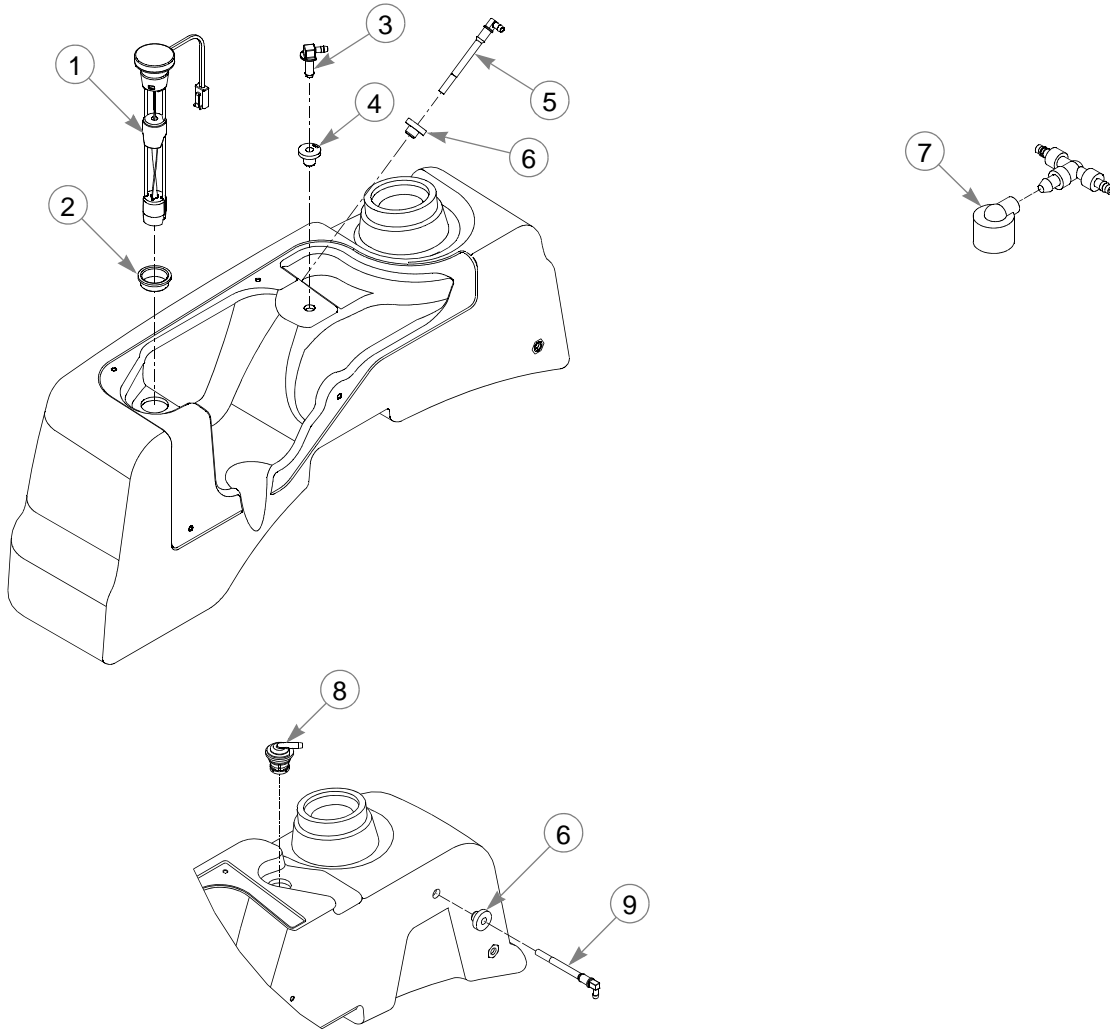
Fuel & Evap Service Parts—S/N 12092657 & Higher



INDEX NO.	PART NO.	QTY.	DESCRIPTION
1	785295	1	GROMMET
2	603199	1	SUCTION HOSE ASSEMBLY 30.5"

NOTES:

Fuel & Evap Service Parts—S/N Prior to 12092657



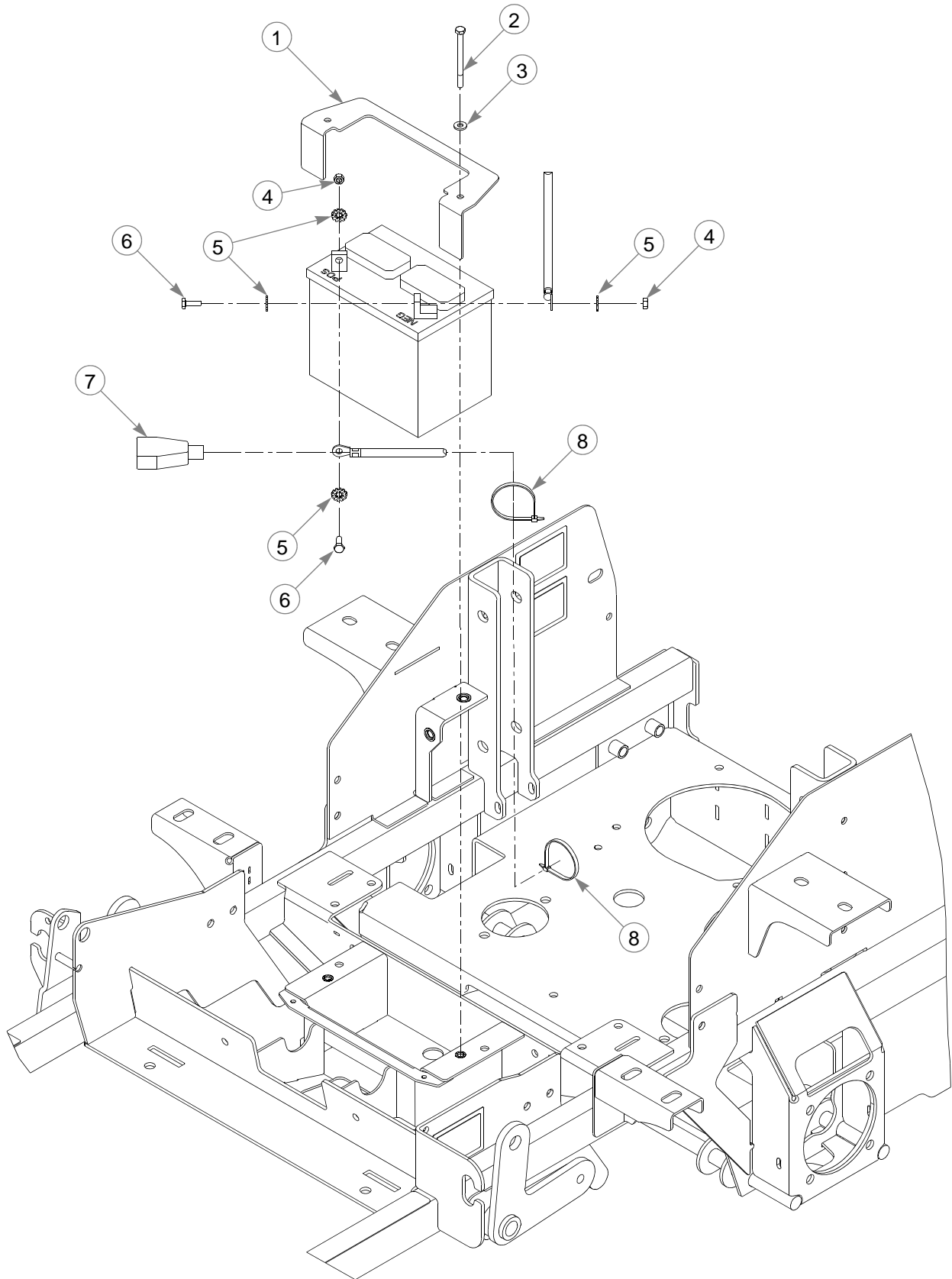
INDEX NO.	PART NO.	QTY.	DESCRIPTION
1	603888	1	FUEL SENDER
2	603889	1	GROMMET
3	604199	1	VENT FITTING
4	604200	1	GROMMET
5	603896	1	SUCTION HOSE ASSEMBLY 20.5"
6	785295	2	GROMMET
7	603161	1	VACUUM BREAKER FILTER
8	117118	1	VENT FITTING KIT—S/N PRIOR TO 12022042
9	601530	1	SUCTION HOSE ASSEMBLY 33.5"

NOTES:

Section 6

Battery	6-2
Instrument Panel	6-4

Battery

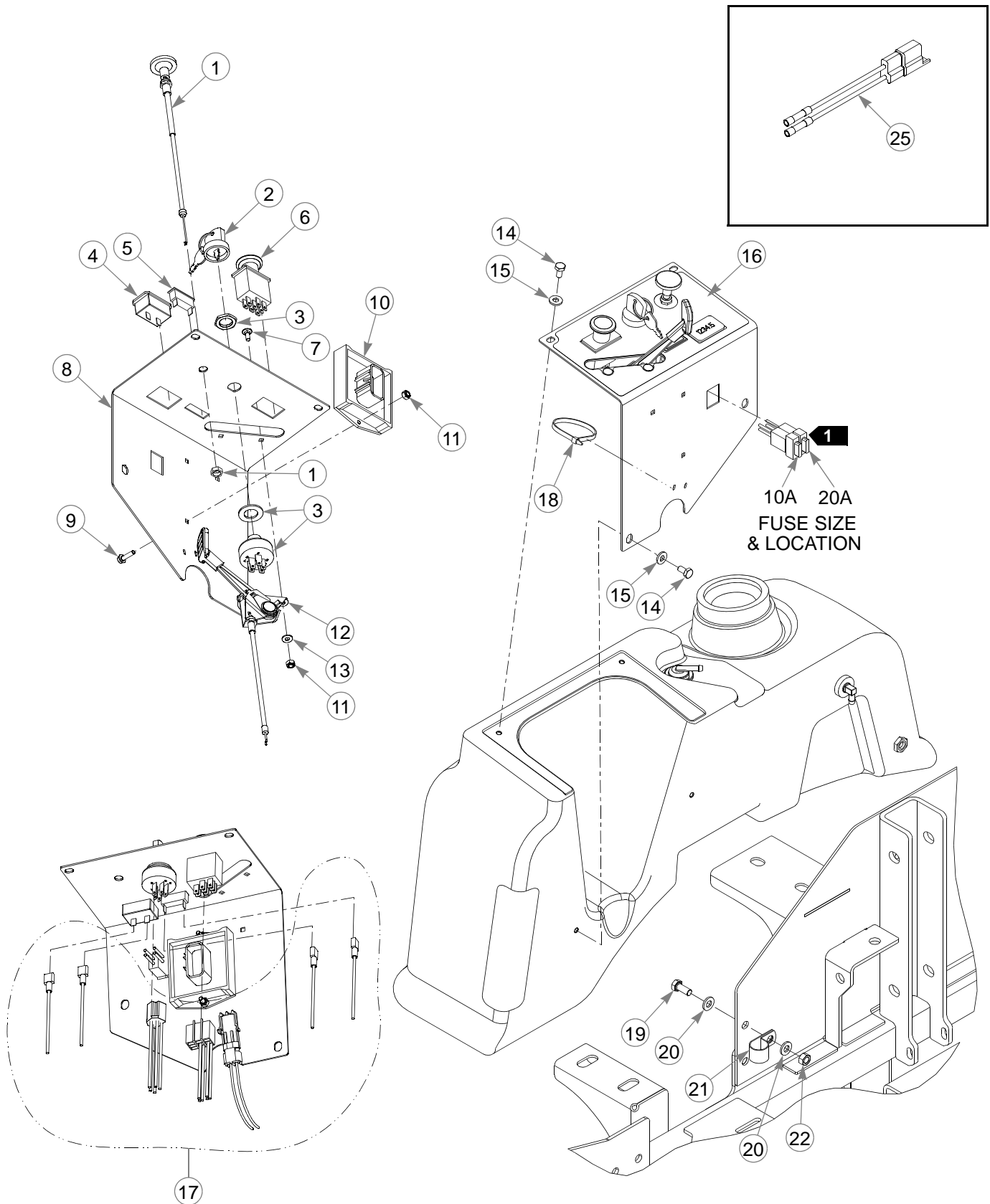


Battery

INDEX NO.	PART NO.	QTY.	DESCRIPTION
1	113147	1	BATTERY STRAP
2	075994	2	CS .250-20 X 3.25 ZNYC
3	768515	2	FW .281 X .625 X .051/.080H
4	024927	2	NT .250-20 HX G5 ZNYC
5	029868	4	LW .250 INT-EXT TOOTH Z
6	055939	2	CS .250-20 X .75 HX G5
7	771428	1	RED BATTERY CABLE BOOT
8	000331	3	WIRE TIE

NOTES:

Instrument Panel



Instrument Panel

INDEX NO.	PART NO.	QTY.	DESCRIPTION
1	603087	1	CHOKE CABLE (USED ON KAWASAKI ENGINE)
	786657	1	CHOKE CABLE (USED ON KOHLER ENGINE)
2	785808	1	KEY ASSEMBLY
3	045898	1	IGNITION SWITCH
4	769166	1	HOUR METER
5	712257	1	RED INDICATOR LIGHT
6	776476	1	PTO SWITCH
7	601098	2	CB 10-24 X .500 ZYNC
8	550856	1	INSTRUMENT PANEL (WITH DECAL)
9	063198	2	CS 10-24 X .75 HX FLK ZN
10	604373	1	RELAY CONTROL MODULE
11	059832	4	NT #10-24 HX NL ZN
12	601675	1	THROTTLE CABLE
13	704932	2	FW .219 X .500 X .048 ZNYC
14	055947	4	CS .250-20 X .500 HX G5
15	768515	4	FW .281 X .625 X .051/.080 HD ZN/YL
16	603056	1	INSTRUMENT PANEL DECAL
17	603125	1	WIRE HARNESS
18	000430	1	WIRE TIE
19	034280	1	CS .312-18 X .75 HX G5
20	768523	2	FW .343 X .687 X .051/.080H
21	043570	1	LOOP CLAMP
22	034272	1	NT .312-18 HX G5 ZNYC
23	000331	3	WIRE TIE (NOT SHOWN)
25	114052	1	CLUTCH CONNECTOR REPAIR KIT

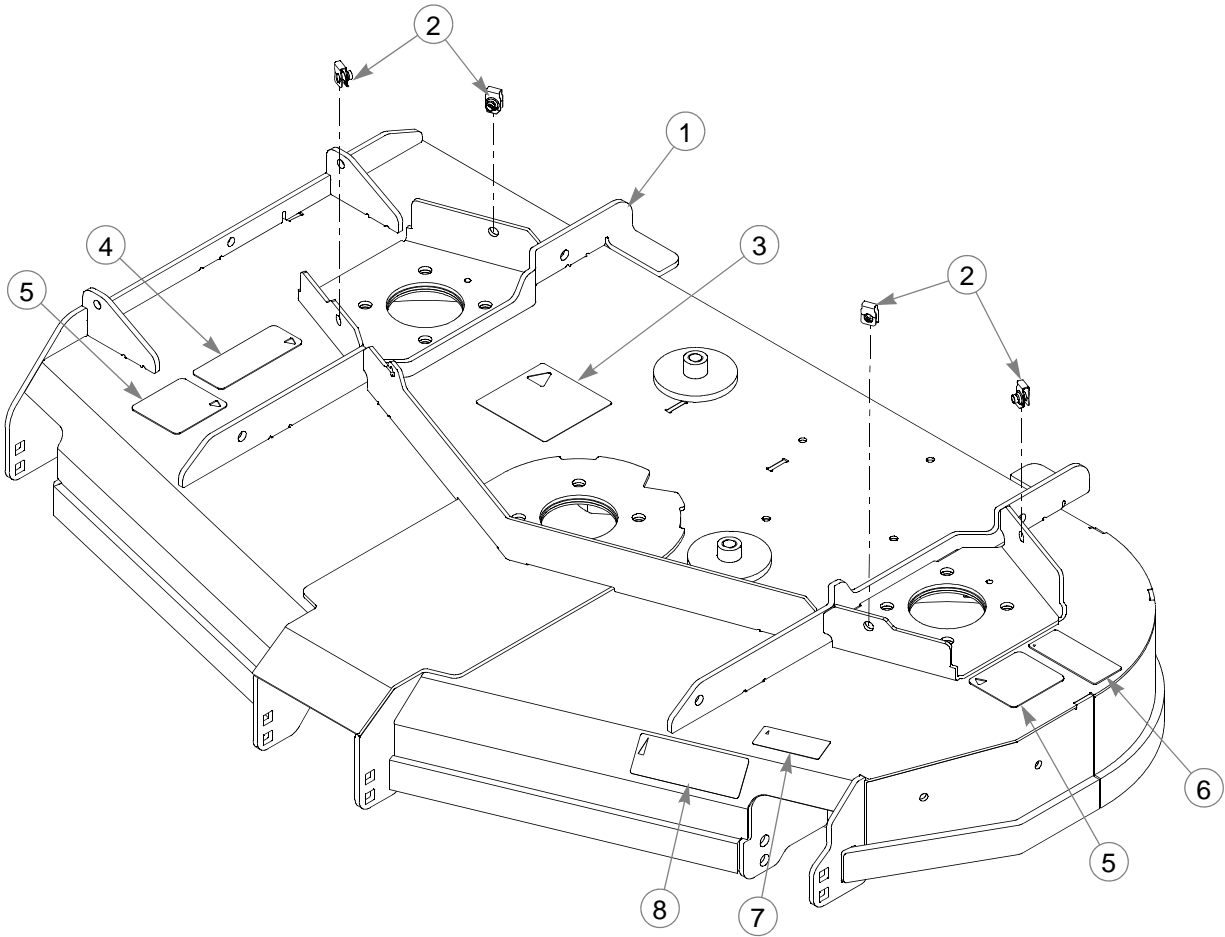
NOTES:

1. Part of the wire harness.

Section 7

48" Side Discharge Service Deck	7-2
48" Side Discharge Deck Pulleys & Spindles	7-4
48" Side Discharge Deck	7-6
54" Side Discharge Service Deck	7-8
54" Deck Pulleys & Spindles	7-10
54" Side Discharge Deck	7-12
60" Side Discharge Service Deck	7-14
60" Side Discharge Deck Pulleys & Spindles	7-16
60" Side Discharge Deck	7-18
Side Discharge Deck Lift	7-20
Side Discharge Deck Mounting Hardware	7-22
54" Rear Discharge Service Deck	7-24
54" Rear Discharge Pulleys & Spindles	7-26
54" Rear Discharge Deck Dust Shield	7-28
54" Rear Discharge Deck	7-30
60" Rear Discharge Pulleys	7-32
60" Rear Discharge Spindles	7-34
60" Rear Discharge Dust Shield	7-36
60" Rear Discharge Deck	7-38
60" Rear Discharge Service Deck	7-42
Rear Discharge Deck Lift	7-44
Rear Discharge Deck Mounting Hardware	7-46

48" Side Discharge Service Deck

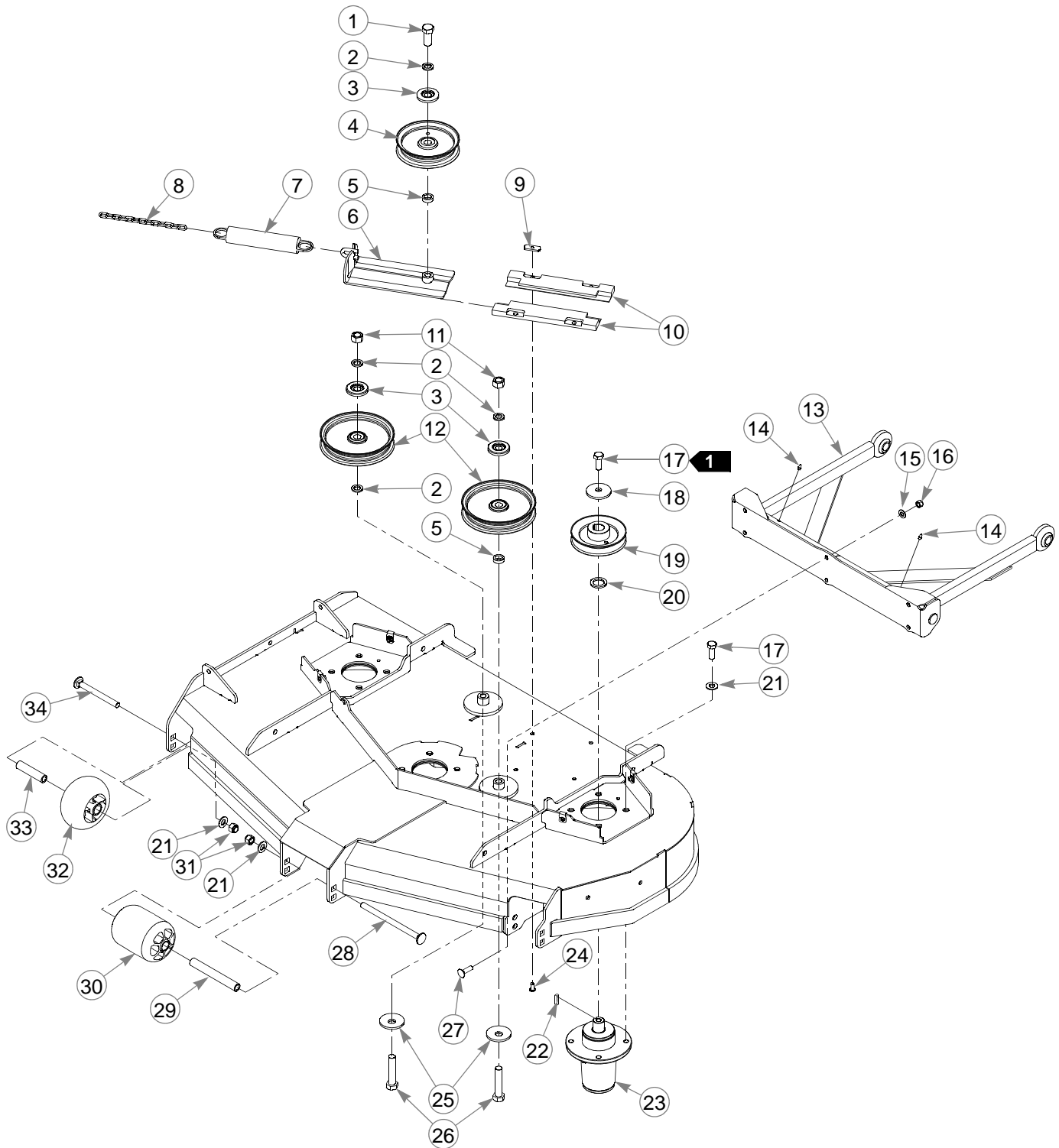


48" Side Discharge Service Deck

INDEX NO.	PART NO.	QTY	DESCRIPTION
1	550737	1	48" DECK (WITH DECALS & HARDWARE)
2	601069	4	CN .312-18 X .20 MAX THK
3	781419	1	BELT ROUTING DECAL
4	601624	1	DISCHARGE CHUTE DECAL
5	601837	2	DECK DANGERS DECAL
6	601892	1	THROWN OBJECTS DECAL
7	793976	1	48" DECK ID DECAL
8	603092	1	VX4 TECHNOLOGY DECAL

NOTES:

48" Side Discharge Deck Pulleys & Spindles



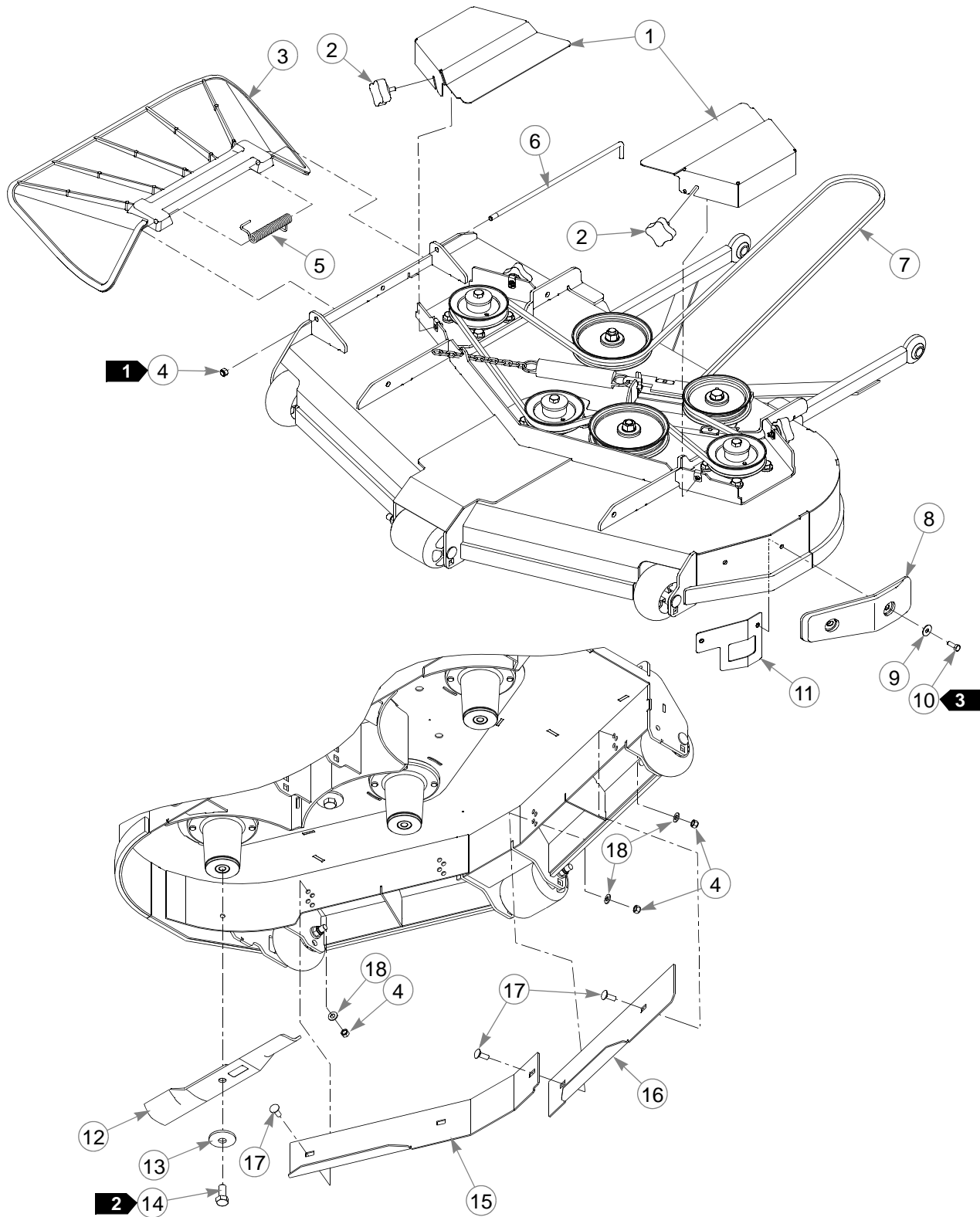
48" Side Discharge Deck Pulleys & Spindles

INDEX NO.	PART NO.	QTY.	DESCRIPTION
1	794446	1	CS .625-11 X 1.50 HX G5
2	028118	4	FW .625 X 1.00 X .134 ZNYC
3	603057	3	DUST SHIELD WITH OFFSET
4	781856	1	IDLER PULLEY NHI 5.0"
5	600296	2	DECK IDLER SPACER
6	350884	1	DECK IDLER SLIDE
7	781302	1	TENSION SPRING
8	259812	1	CHAIN
9	603023	4	WN .312-18 ZN
10	602936	2	UHMW IDLER SLIDE
11	016972	2	NT .625-11 HX G5 ZNYC
12	781385	2	IDLER PULLEY NHI 6.0"
13	113340	1	PUSHER
14	015495	2	GREASE FITTING STRAIGHT
15	767954	6	FW .406 X .812 X .060 SAE
16	086660	6	NT .375-16 HX ZY NL
17	705954	15	CS .500-13 X 1.25 HX G5 ZN
18	752386	3	CW .515 X 2.25 X .204 BLK
19	602842	3	DRIVE PULLEY 5.187 OP
20	045765	3	FW 1.030 X 1.50 X .134 ZN
21	767962	15	FW .531 X 1.063 X .090 SAE
22	212472	3	KEY 1/4 SQ X 1.00
23	604255	3	BLADE SPINDLE CW
24	603022	4	CS .312-18 X .625 BH ZN
25	782474	2	CW .631 X 2.25 X .187 PNT
26	783738	2	CS .625-11 X 3.00 FULL HX G5
27	603113	6	CB .375-16 X 1.25 G5 ZN
28	602338	1	CB .50-13 X 7.50 STD ZN
29	602344	1	SPACER 5.73
30	602341	1	PLASTIC WHEEL
31	781567	3	NT .500-13 HX G8 ZY NL
32	602263	2	PLASTIC WHEEL
33	602345	2	SPACER 3.22
34	603049	2	CB .500-13 X 5.00 ZNYC

NOTES:

1. Torque to 67–75 ft-lbs.

48" Side Discharge Deck



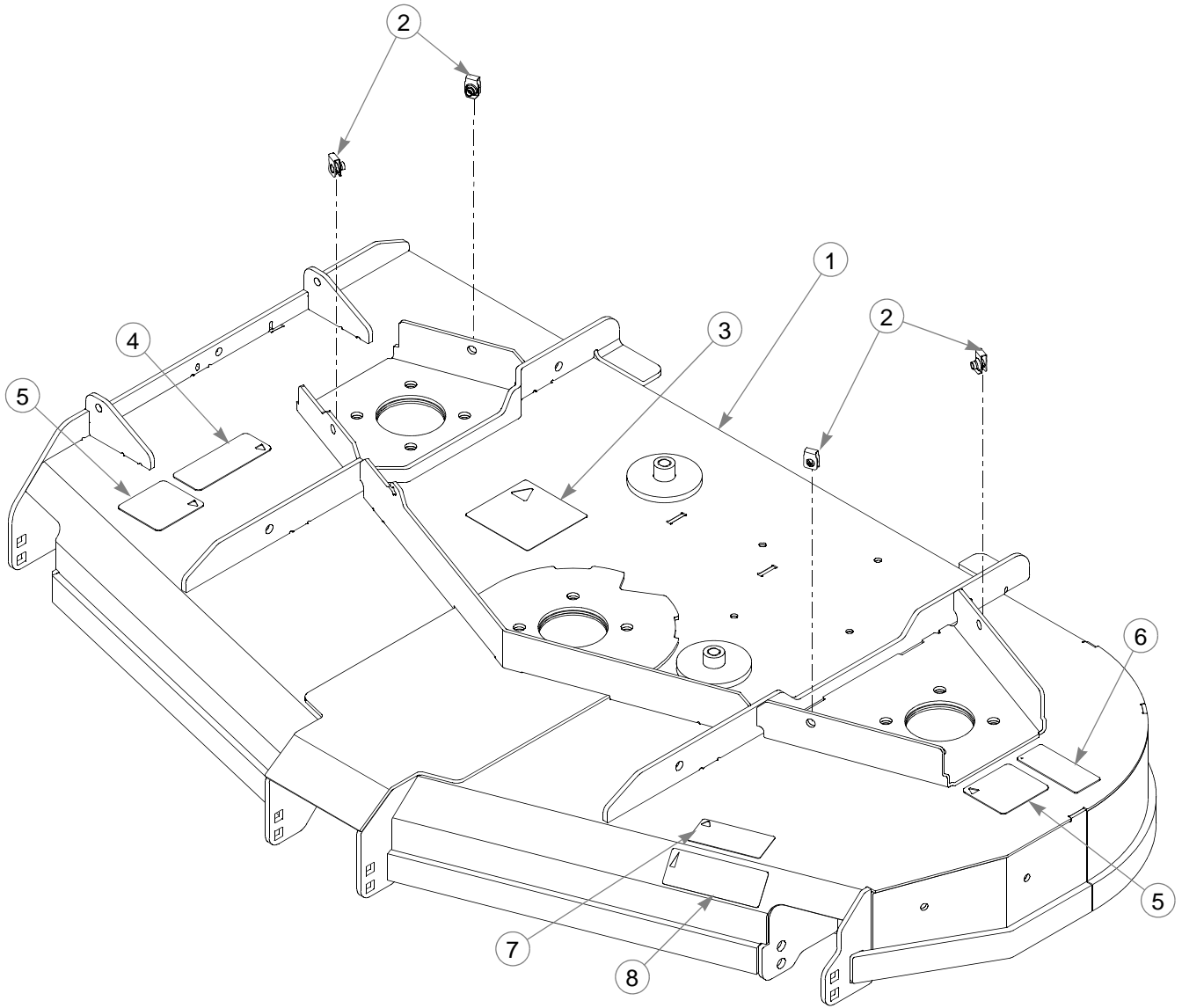
48" Side Discharge Deck

INDEX NO.	PART NO.	QTY.	DESCRIPTION
1	113241	2	RS PULLEY COVER
2	792002	4	KNOB 5/16-18 X 3/4"
3	602429	1	DISCHARGE CHUTE
4	086660	5	NT .375-16 HX ZY NL
5	602435	1	TORSION SPRING
6	602432	1	CHUTE PIN
7	786483	1	BELT B 148.56" EL
8	602817	1	RUBBER BUMPER
9	079210	2	FW .344 X 1.00 X .06 ZNYC
10	064014	2	CS .312-18 X .875 HX G5 ZN
11	113563	1	BACKING PLATE
12	795757	3	BLADE, F16.50"-H-F-CW
	601014	3	BLADE, F16.50"-L-F-CW
	601123	3	BLADE, 16.50"-L-F-CW
	796623	3	BLADE, 16.50"-MUL-F-CW
	796631	3	BLADE, 16.50"-GAT-F-CW
13	782474	3	CW .631 X 2.25 X .187 PNT
14	781872	3	CS .625-11 X 1.25 HX G5 Z (S/N 12092657 & HIGHER)
	601983	3	CS .625-11 X 2.25 HX G5 ZY (S/N PRIOR TO 12092657)
15	113266	1	LS ADJ INNER WALL
16	113267	1	RS ADJ INNER WALL
17	025395	4	CB .375-16 X 1.00 G5 ZNY
18	767954	4	FW .406 X .812 X .060 SAE

NOTES:

1. Do not torque the nut; the discharge chute must pivot freely.
2. Torque to 118 ft-lbs.
3. Torque to 10 ft-lbs.

54" Side Discharge Service Deck

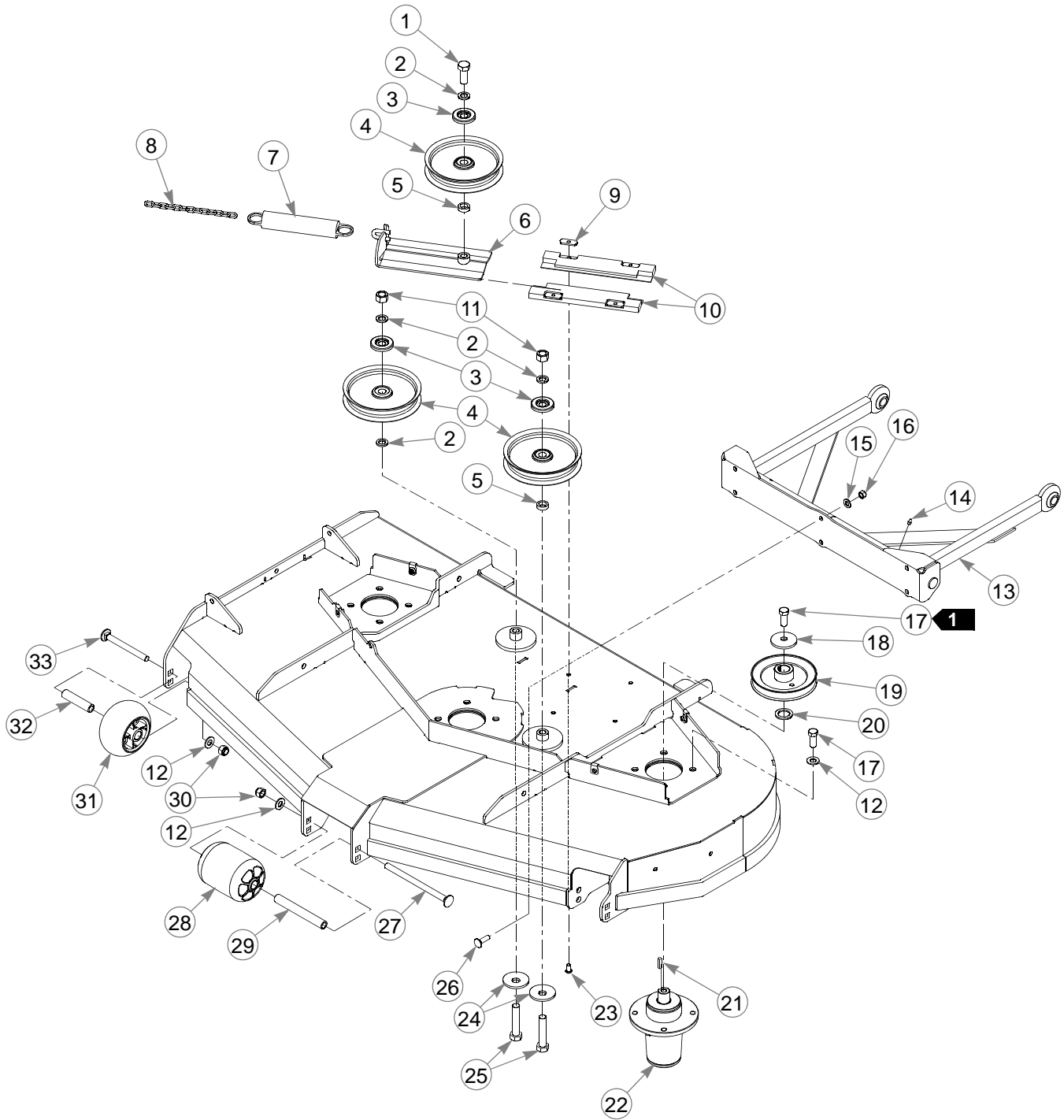


54" Side Discharge Service Deck

INDEX NO.	PART NO.	QTY.	DESCRIPTION
1	550738	1	54" DECK (WITH DECALS & HARDWARE)
2	601069	4	CN .312-18 X .20 MAX THK
3	781419	1	BELT ROUTING DECAL
4	601624	1	DISCHARGE CHUTE DECAL
5	601837	2	DECK DANGERS DECAL
6	601892	1	THROWN OBJECTS DECAL
7	799171	1	54" DECK ID DECAL
8	603092	1	VX4 TECHNOLOGY DECAL

NOTES:

54" Deck Pulleys & Spindles



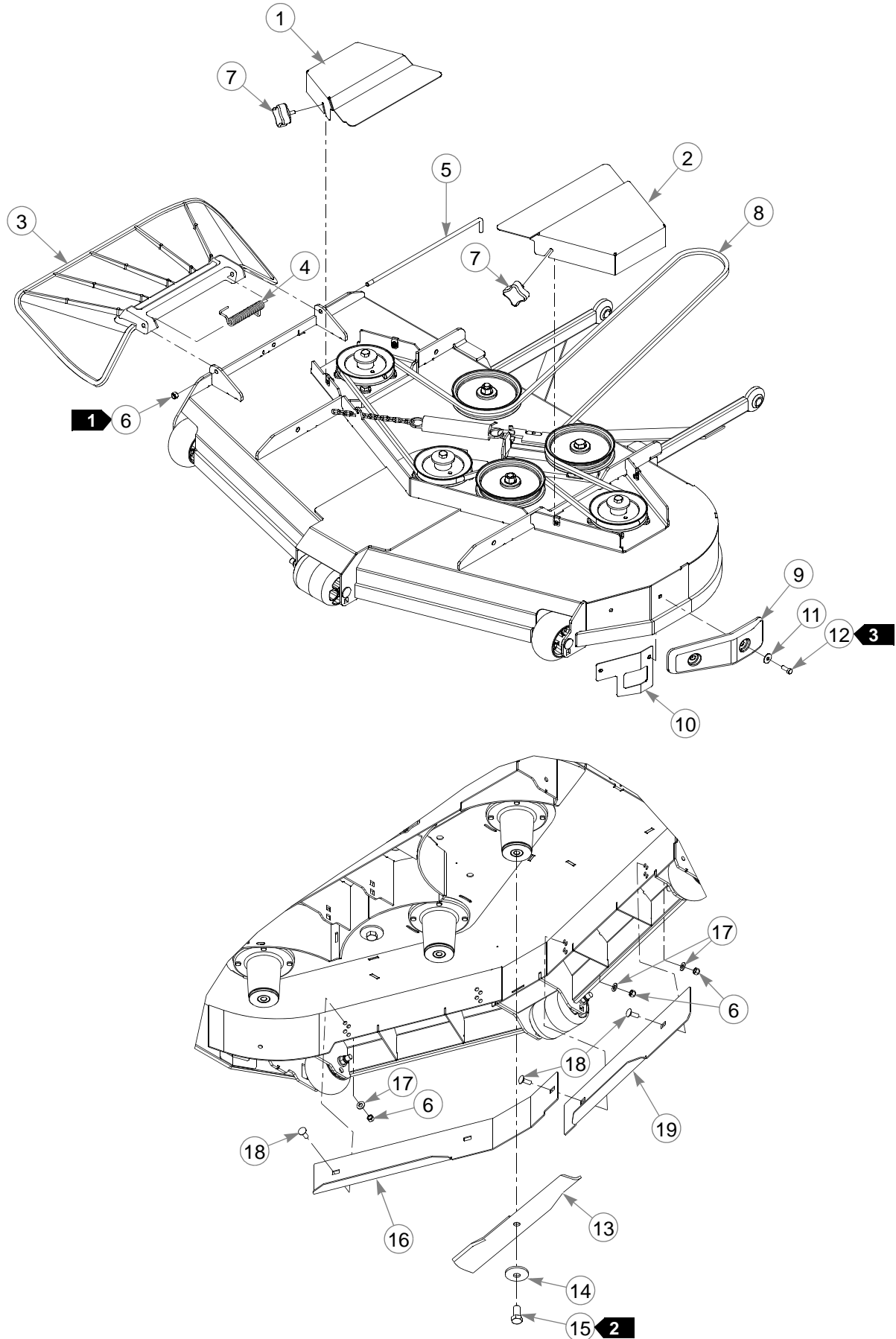
54" Deck Pulleys & Spindles

INDEX NO.	PART NO.	QTY.	DESCRIPTION
1	794446	1	CS .625-11 X 1.50 HX G5
2	028118	4	FW .625 X 1.00 X .134 ZNYC
3	603057	3	DUST SHIELD WITH OFFSET
4	781385	3	IDLER PULLEY, NHI 6.0"
5	600296	2	DECK IDLER SPACER
6	350884	1	DECK IDLER SLIDE
7	781302	1	TENSION SPRING
8	259812	1	CHAIN
9	603023	4	WN .312-18 ZN
10	602936	2	UHMW IDLER SLIDE
11	016972	2	NT .625-11 HX G5 ZNYC
12	767962	15	FW .531 X 1.063 X .090 SAE
13	113340	1	PUSHER
14	015495	2	GREASE FITTING STRAIGHT
15	767954	6	FW .406 X .812 X .060 SAE
16	086660	6	NT .375-16 HXZY NL
17	705954	15	CS .500-13 X 1.25 HX G5 ZN
18	752386	3	CW .515 X 2.25 X .204 BLK
19	798967	3	DECK DRIVE PULLEY
20	045765	3	FW 1.030 X 1.50 X .134 ZN
21	212472	3	KEY 1/4 SQ X 1.00
22	604255	3	BLADE SPINDLE CW
23	603022	4	CS .312-18 X .625 BH ZN
24	782474	2	CW .631 X 2.25 X .187 PNT
25	783738	2	CS .625-11 X 3.00 FULL HX
26	603113	6	CB .375-16 X 1.25 G5 ZN
27	602338	1	CB .500-13 X 7.50 STD ZN
28	602341	1	PLASTIC WHEEL
29	602344	1	SPACER 5.73
30	781567	3	NT .500-13 HX G8 ZY NL
31	602263	2	PLASTIC WHEEL
32	602345	2	SPACER 3.22
33	603049	2	CB .50-13 X 4.75 STD ZN

NOTES:

1. Torque to 67–75 ft-lbs.

54" Side Discharge Deck



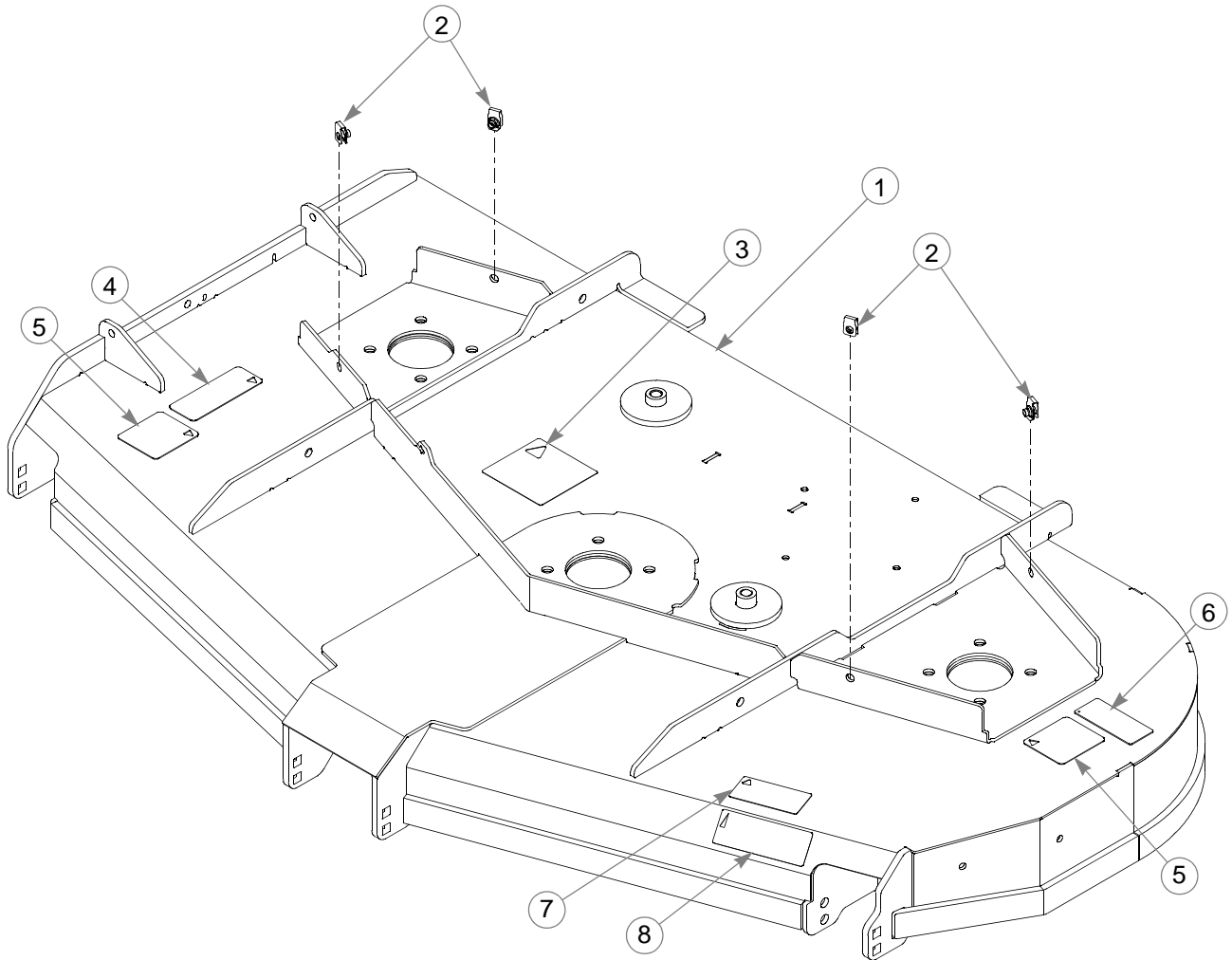
54" Side Discharge Deck

INDEX NO.	PART NO.	QTY.	DESCRIPTION
1	113241	1	RS PULLEY COVER
2	113240	1	LS PULLEY COVER
3	602429	1	DISCHARGE CHUTE
4	602435	1	TORSION SPRING
5	602432	1	CHUTE PIN
6	086660	5	NT .375-16 HX ZY NL
7	792002	4	KNOB 5/16-18 X 3/4"
8	797928	1	BELT, B 160.2" EL
9	602817	1	RUBBER BUMPER
10	113563	1	BACKING PLATE
11	079210	2	FW .344 X 1.00 X .06 ZNYC
12	064014	2	CS .312-18 X .875 HX G5 ZN
13	797696	3	BLADE, F18.50"-H-F-CW
	601012	3	BLADE, F18.50"-L-F-CW
	797704	3	BLADE, 18.50"-MUL-F-CW
	797712	3	BLADE, 18.50"-GAT-F-CW
14	782474	3	CW .631 X 2.25 X .187 PNT
15	781872	3	CS .625-11 X 1.25 HX G5 Z (S/N 12092657 & HIGHER)
	601983	3	CS .625-11 X 2.25 HX G5 ZY (S/N PRIOR TO 12092657)
16	113210	1	LS ADJ INNER WALL
17	767954	4	FW .406 X .812 X .060 SAE
18	025395	4	CB .375-16 X 1.00 G5 ZNY
19	113211	1	RS ADJ INNER WALL

NOTES:

1. Do not torque the nut; the discharge chute must pivot freely.
2. Torque to 118 ft-lbs.
3. Torque to 10 ft-lbs.

60" Side Discharge Service Deck

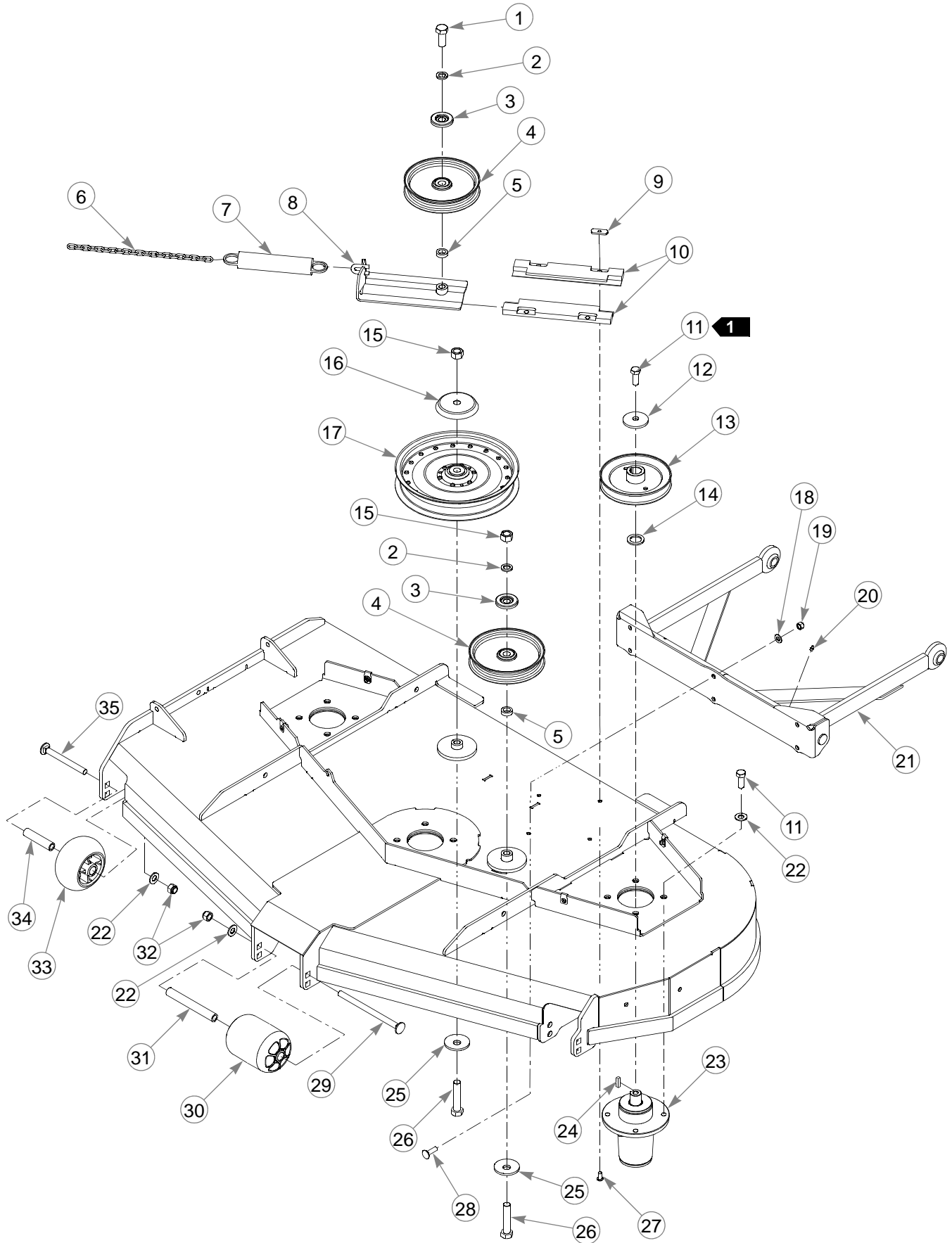


60" Side Discharge Service Deck

INDEX NO.	PART NO.	QTY.	DESCRIPTION
1	550739	1	60" VX4 DECK (WITH DECALS & HARDWARE)
2	601069	4	CN .312-18 X .20 MAX THK
3	781419	1	BELT ROUTING DECAL
4	601624	1	DISCHARGE CHUTE DECAL
5	601837	2	DECK DANGERS DECAL
6	601892	1	THROWN OBJECTS DECAL
7	786277	1	60" DECK DECAL
8	603092	1	VX4 TECHNOLOGY DECAL

NOTES:

60" Side Discharge Deck Pulleys & Spindles



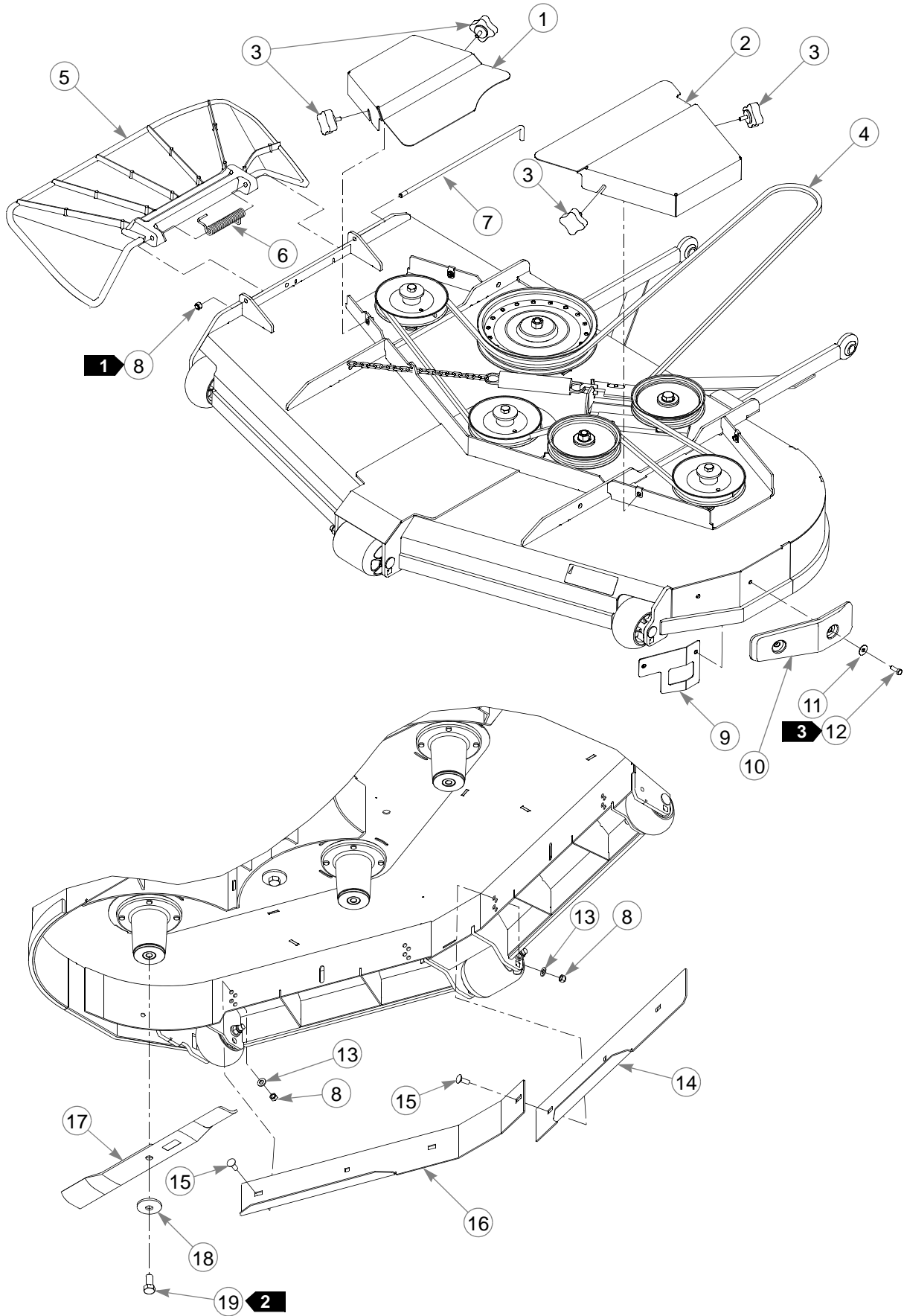
60" Side Discharge Deck Pulleys & Spindles

INDEX NO.	PART NO.	QTY.	DESCRIPTION
1	794446	1	CS .625-11 X 1.50 HX G5
2	028118	2	FW .625 X 1.00 X .134 ZNYC
3	603057	2	DUST SHIELD WITH OFFSET
4	781385	2	IDLER PULLEY NHI 6.0"
5	600296	2	DECK IDLER SPACER
6	373191	1	CHAIN
7	781302	1	TENSION SPRING
8	350884	1	DECK IDLER SLIDE
9	603023	4	WN .312-18 ZN
10	602936	2	UHMW IDLER SLIDE
11	705954	15	CS .500-13 X 1.25 HX G5 ZN
12	752386	3	CW .515 X 2.25 X .204 BLK
13	770842	3	DECK DRIVE PULLEY
14	045765	3	FW 1.030 X 1.50 X .134 ZN
15	016972	2	NT .625-11 HX G5 ZNYC
16	602963	1	IDLER DUST SHIELD LG
17	602743	1	IDLER 10.0" RIVETED
18	767954	6	FW .406 X .812 X .060 SAE
19	086660	6	NT .375-16 HX ZY NL
20	015495	2	GREASE FITTING STRAIGHT
21	113340	1	PUSHER
22	767962	15	FW .531 X 1.063 X .090 SAE
23	604255	3	BLADE SPINDLE CW
24	212472	3	KEY 1/4 SQ X 1.00
25	782474	2	CW .631 X 2.25 X .187 PNT
26	783738	2	CS .625-11 X 3.00 FULL HX G5
27	603022	4	CS .312-18 X .625 BH ZN
28	603113	6	CB .375-16 X 1.25 G5 ZN
29	602338	1	CB .500-13 X 7.50 STD ZN
30	602341	1	PLASTIC WHEEL
31	602344	1	SPACER 5.73
32	781567	3	NT .500-13 HX G8 ZY NL
33	602263	2	PLASTIC WHEEL
34	602345	2	SPACER 3.22
35	603049	2	CB .500-13 X 5.00 ZNYC

NOTES:

1. Torque to 67–75 ft-lbs.

60" Side Discharge Deck



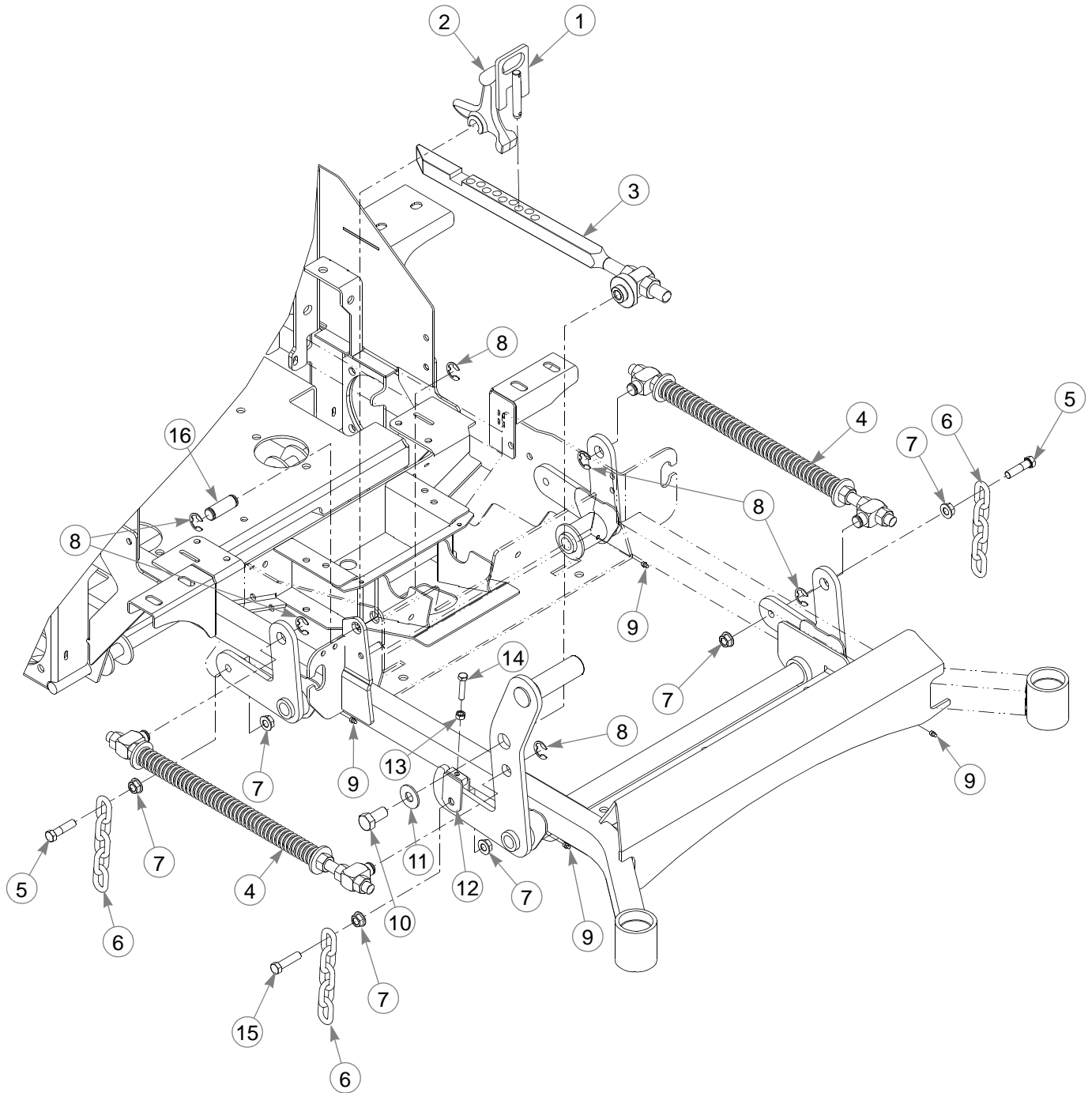
60" Side Discharge Deck

INDEX NO.	PART NO.	QTY.	DESCRIPTION
1	112933	1	RS PULLEY COVER
2	112934	1	LS PULLEY COVER
3	792002	4	KNOB 5/16-18 X 3/4"
4	602988	1	BELT, B-SEC 171.25 EL
5	602891	1	DISCHARGE CHUTE LG
6	602435	1	TORSION SPRING
7	602432	1	CHUTE PIN
8	086660	7	NT .375-16 HX ZY NL
9	113563	1	BACKING PLATE
10	602817	1	RUBBER BUMPER
11	079210	2	FW .344 X 1.00 X.06 ZNYC
12	064014	2	CS .312-18 X .875 HX G5 ZN
13	767954	6	FW .406 X .812 X .060 SAE
14	113180	1	RS INNER WALL ADJ.
15	025395	6	CB .375-16 X 1.00 G5 ZNY
16	113179	1	LS INNER WALL ADJ.
17	794685	3	BLADE, F20.50"-H-F-CW
	602771	3	BLADE, F20.50" EHN-F-CW
	793794	3	BLADE, 20.50"-L-F-CW
	794214	3	BLADE, 20.50"-MUL-F-CW
	794230	3	BLADE, 20.50"-GAT-F-CW
18	782474	3	CW .631 X 2.25 X .187 PNT
19	781872	3	CS .625-11 X 1.25 HX G5 Z (S/N 12092657 & HIGHER)
	601983	3	CS .625-11 X 2.25 HX G5 Z (S/N PRIOR TO 12092657)

NOTES:

1. Do not torque nut; the discharge chute must pivot freely.
2. Torque to 118 ft-lbs.
3. Torque to 10 ft-lbs.

Side Discharge Deck Lift

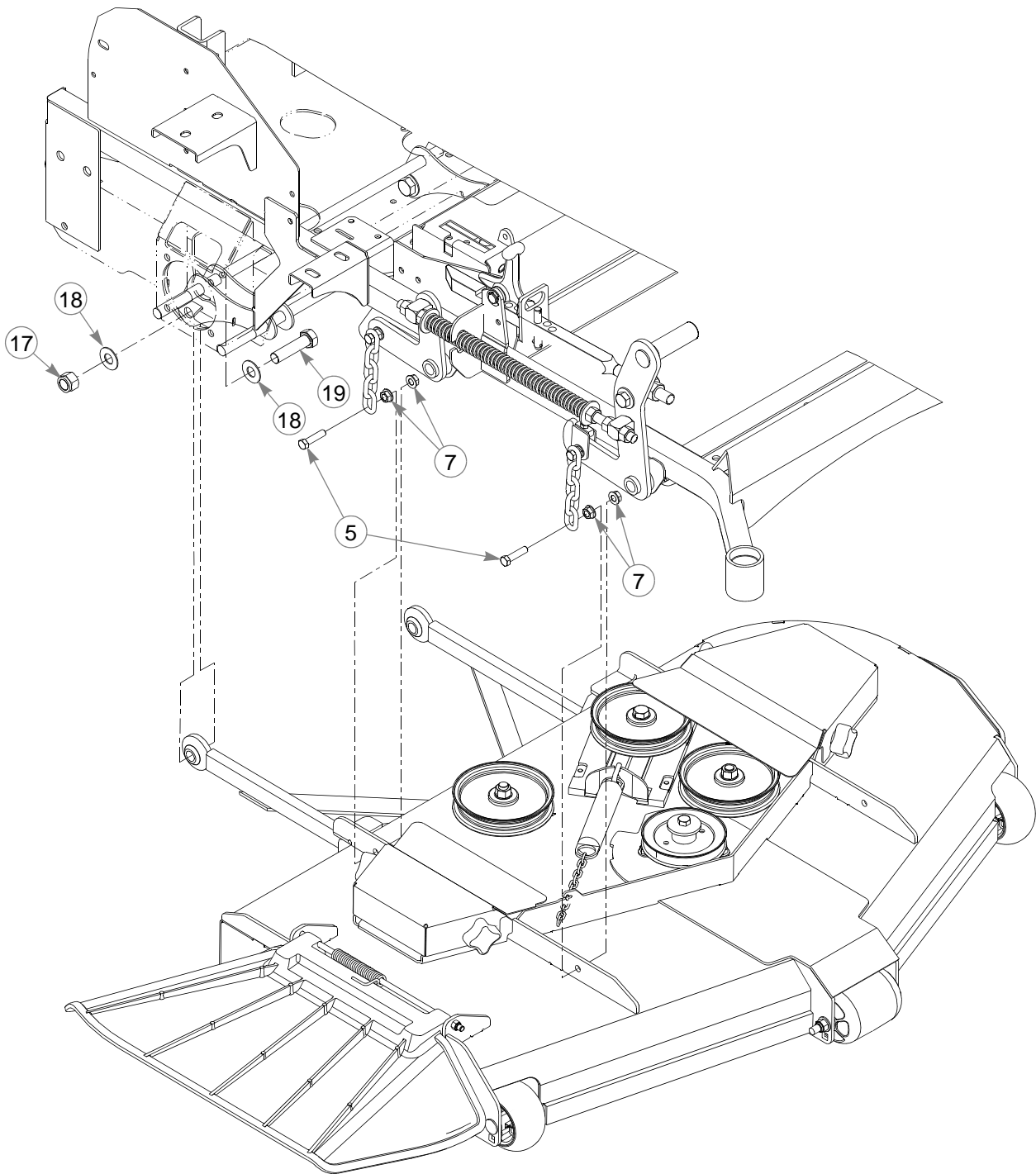


Side Discharge Deck Lift

INDEX NO.	PART NO.	QTY.	DESCRIPTION
1	600437	1	DECK HEIGHT PIN
2	348318	1	STOP HANDLE
3	602898	1	DECK LIFT INDICATOR
4	782995	2	DECK LIFT SPRING
5	055749	7	CS .437-14 X 1.75 HX G5
6	348391	4	DECK LIFT CHAIN
7	704643	16	NT .437-14 HX FLG ZN
8	781294	6	E CLIP 1.00 X .625 X .05
9	015495	4	GREASE FITTING STRAIGHT
10	781872	1	CS .625-11 X 1.25 HX G5 Z
11	704783	1	FW .625 X 1.50 X .105 ZN
12	348458	1	DECK LEVELER YOKE
13	034272	1	NT .312-18 HX G5 ZNYC
14	756270	1	CS .312-18 X 1.50 FLTHR HX
15	781831	1	CS .437-14 X 1.75 FULTH
16	781229	1	CE .750 X 2.25 X 1.75 HEAD

NOTES:

Side Discharge Deck Mounting Hardware

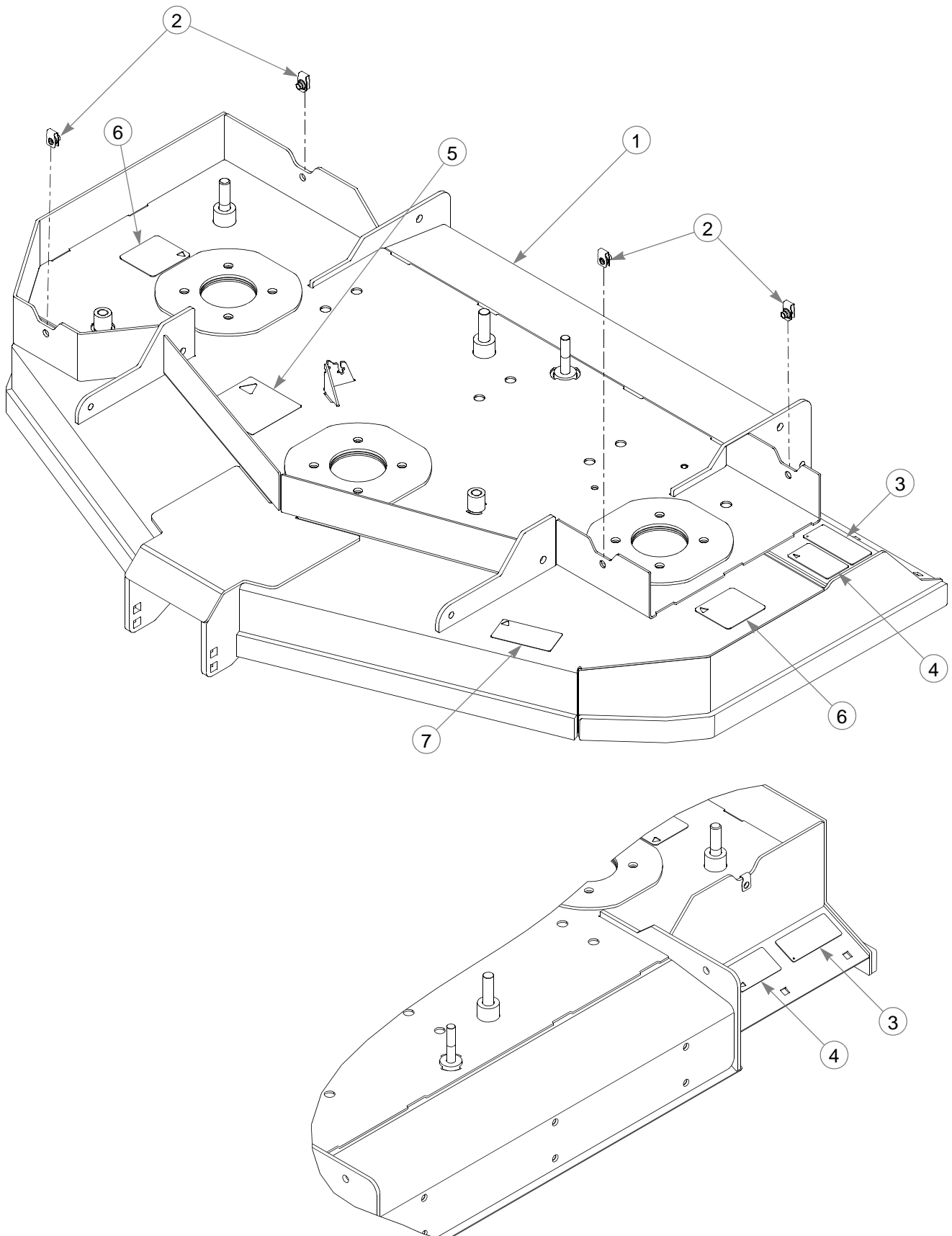


Side Discharge Deck Mounting Hardware

INDEX NO.	PART NO.	QTY.	DESCRIPTION
17	061101	2	NT .750-10 HX ZY NL
18	025296	4	FW .760 X 1.625 X .08 ZNYC
19	051169	2	CS .750-10 X 3.00 HX G5

NOTES:

54" Rear Discharge Service Deck

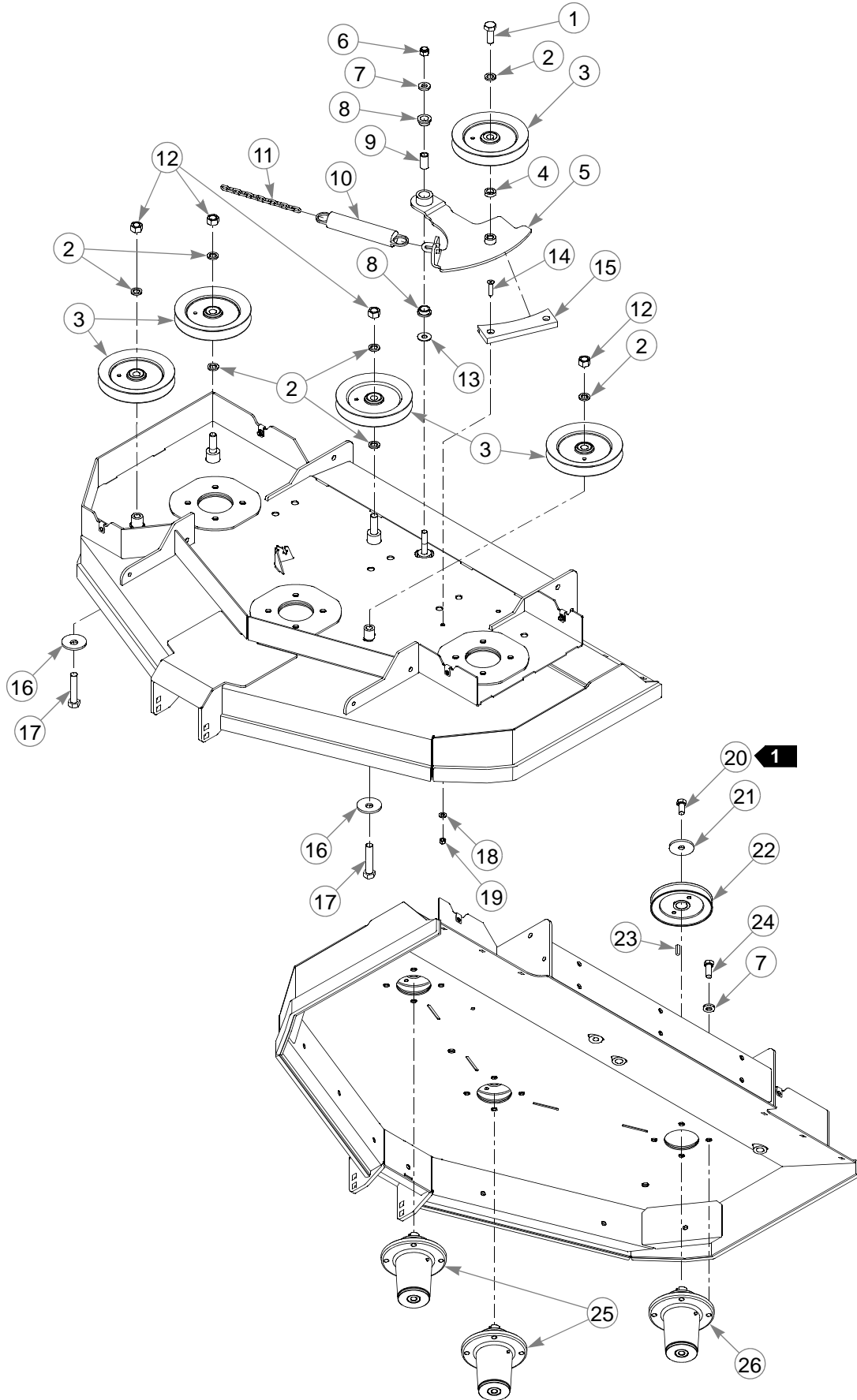


54" Rear Discharge Service Deck

INDEX NO.	PART NO.	QTY.	DESCRIPTION
1	550934	1	54" RD DECK (WITH DECALS & HARDWARE)
2	601069	4	CN .312-18 X .20 MAX THK
3	601892	2	THROWN OBJECTS DECAL
4	603391	2	RUBBER FLAP DECAL
5	796953	1	RD DECK ROUTING DECAL
6	601837	2	DECK DANGERS DECAL
7	799171	1	54" DECK ID DECAL

NOTES:

54" Rear Discharge Pulleys & Spindles



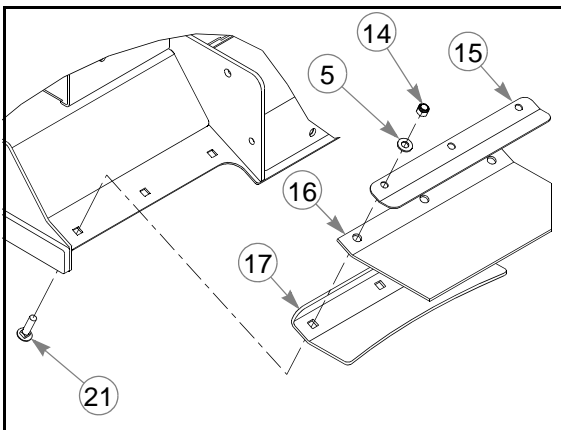
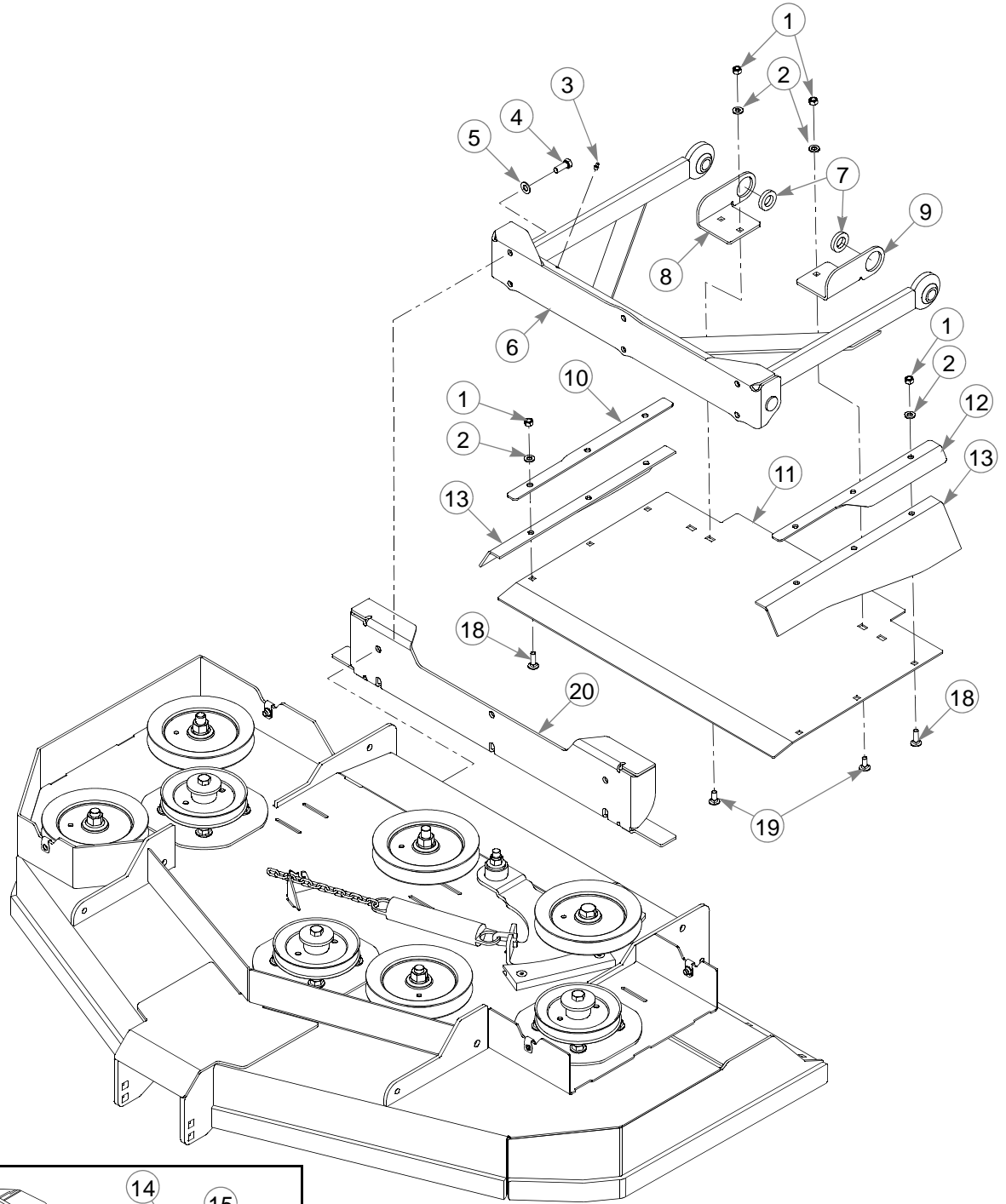
54" Rear Discharge Pulleys & Spindles

INDEX NO.	PART NO.	QTY.	DESCRIPTION
1	794446	1	CS .625-11 X 1.50 HX G5
2	028118	7	FW .625 X 1.00 X .134 ZNYC
3	796714	5	6" HB IDLER PULLEY
4	600296	1	DECK IDLER SPACER
5	109948	1	IDLER ARM
6	781567	1	NT .500-13 HX G8 ZY NL
7	767962	13	FW .531 X 1.063 X .090 SAE
8	770867	2	BUSHING
9	109549	1	BUSHING
10	781302	1	TENSION SPRING
11	259812	1	CHAIN
12	016972	4	NT .625-11 HX G5 ZNYC
13	704759	1	FW .500 X 1.25 X .075 ZNY
14	797910	2	CS .312-18 X 1.50 FLT SH ZY
15	601779	1	IDLER GUIDE
16	782474	2	CW .631 X 2.25 X .187 PNT
17	783738	2	CS .625-11 X 3.00 FULL HX G5
18	768523	1	FW .343 X .687 X .051/.080H
19	058776	1	NT .312-18 HX ZY NL
20	016527	3	CS .500-13 X 1.00 HX G5 ZN
21	752386	3	CW .515 X 2.25 X .204 BLK
22	798967	3	B-SEC 5.44 EOD PULLEY
23	212472	3	KEY 1/4 SQ X 1.00
24	705954	12	CS .500-13 X 1.25 HX G5 ZN
25	604255	3	BLADE SPINDLE CW
26	604256	1	BLADE SPINDLE CCW

NOTES:

1. Torque to 67–75 ft-lbs.

54" Rear Discharge Deck Dust Shield

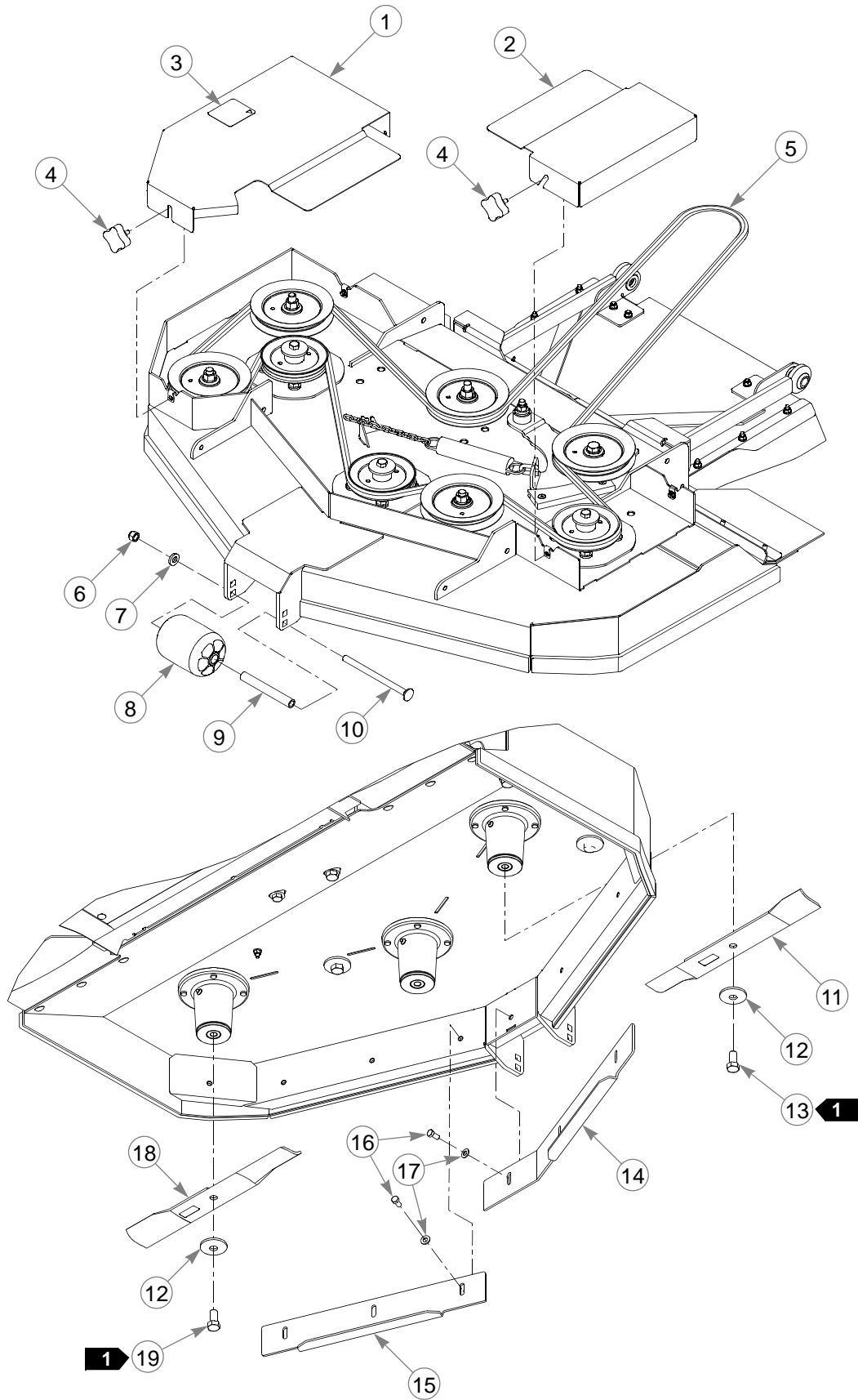


54" Rear Discharge Deck Dust Shield

INDEX NO.	PART NO.	QTY.	DESCRIPTION
1	058776	10	NT .312-18 HX ZY NL
2	768523	10	FW .343 X .687 X .051/.080H
3	015495	2	GREASE FITTING STRAIGHT
4	036244	6	CS .375-16 X 1.00 HX G5
5	767954	12	FW .406 X .812 X .060 SAE
6	113340	1	PUSHER
7	778399	2	FW .781 X 1.375 X .250 ZNY
8	109482	1	RS CHUTE BRACKET
9	109483	1	LS CHUTE BRACKET
10	109487	1	RS CLAMP ANGLE
11	113980	1	DISCHARGE SHIELD
12	109486	1	LS CLAMP ANGLE
13	601483	2	RUBBER SIDE FLAP
14	086660	6	NT .375-16 HX ZY NL
15	107972	2	RD DISCHARGE FLAP ANGLE
16	601017	2	RD RUBBER DISCHARGE CHUTE
17	107973	2	DECK STIFFENER ANGLE
18	037887	6	CB .312-18 X 1.00 FULL ZN
19	016253	4	CB .312-18 X .75 FUL ZN
20	114522	1	REAR DECK STOP
21	710194	6	CB .375-16 X 1.50 STD G5

NOTES:

54" Rear Discharge Deck



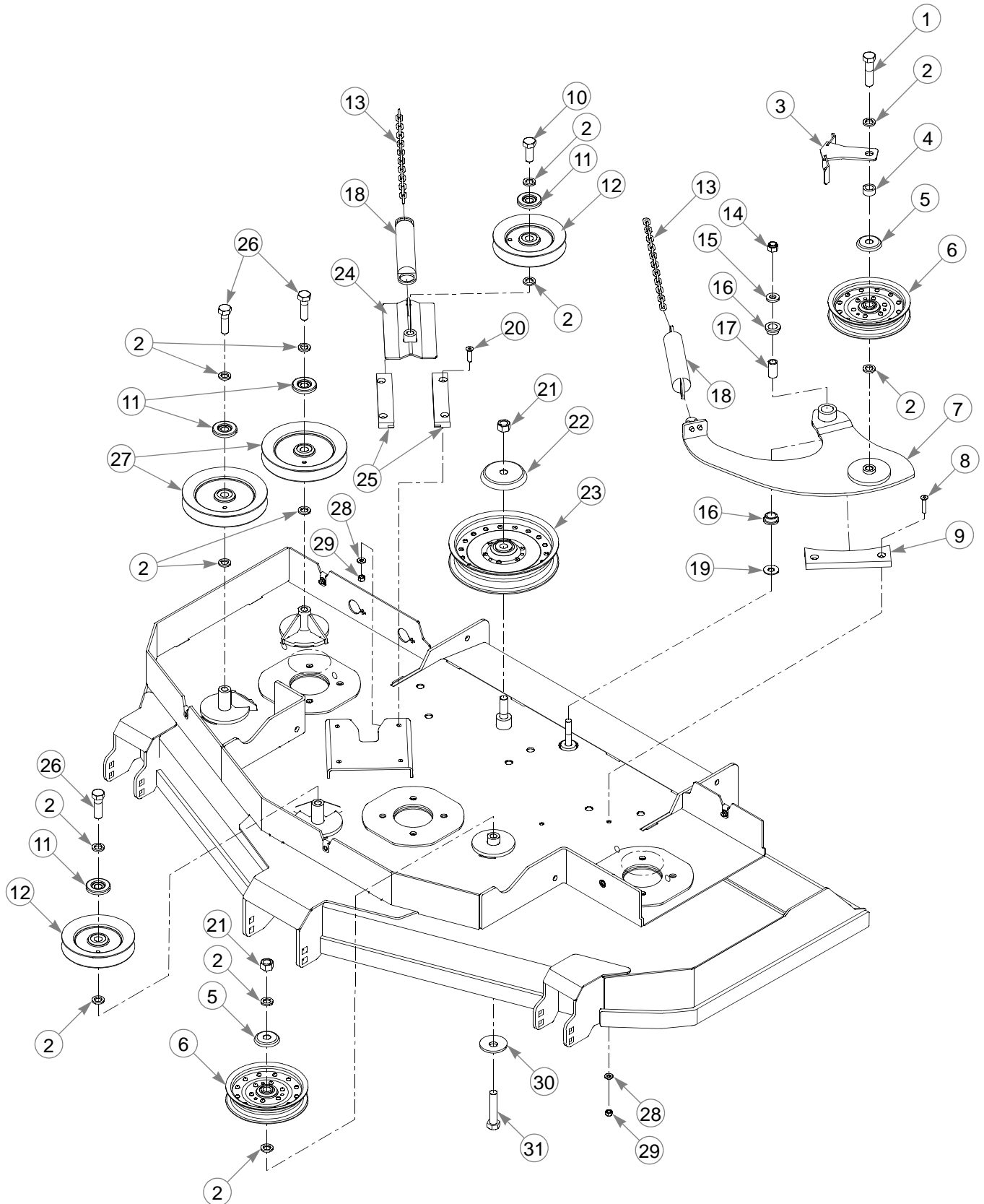
54" Rear Discharge Deck

INDEX NO.	PART NO.	QTY.	DESCRIPTION
1	550914	1	RS PULLEY COVER (WITH DECALS)
2	110448	1	LS PULLEY COVER
3	601837	1	DECK DANGERS DECAL
4	792002	4	KNOB 5/16-18 X 3/4"
5	601015	1	BELT, BB 204.5" EL
6	781567	1	NT .500-13 HX G8 ZY NL
7	767962	1	FW .531 X 1.063 X .090 SAE
8	602341	1	PLASTIC WHEEL
9	602344	1	SPACER 5.73
10	602338	1	CB .500-13 X 7.50 STD ZN
11	601013	1	BLADE, F18.50-L-F-CCW
12	782474	3	CW .631 X 2.25 X .187 PNT
13	604383	1	CS .625-11 X 1.25 HX G5 LH THREAD (S/N 12092657 & HIGHER)
	601999	1	CS .625-11 X 2.25 LH HX G5 H5Y (PRIOR TO S/N 12092657)
14	114013	1	RS ADJUSTABLE BAFFLE
15	114014	1	LS ADJUSTABLE BAFFLE
16	055822	6	CS .375-16 X .75 HX G5
17	767954	6	FW .406 X .812 X .060 SAE
18	601012	2	BLADE, F18.50"-L-F-CW
	601124	2	BLADE, 18.50"-L-F-CW
19	781872	2	CS .625-11 X 1.25 HX G5 Z (S/N 12092657 & HIGHER)
	601983	2	CS .625-11 X 2.25 HX G5 ZY (PRIOR TO S/N 12092657)

NOTES:

1. Torque to 118 ft-lbs.

60" Rear Discharge Pulleys

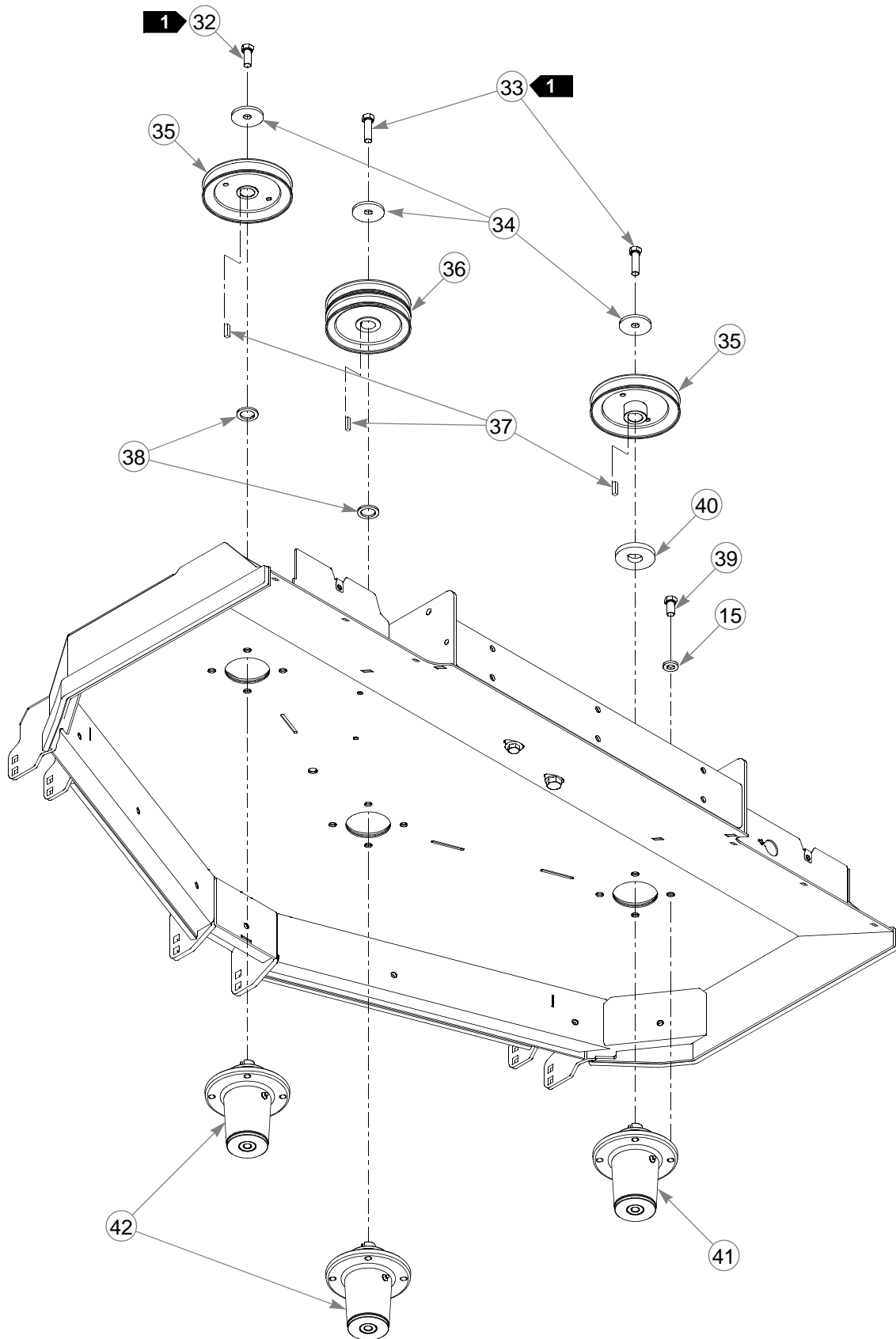


60" Rear Discharge Pulleys

INDEX NO.	PART NO.	QTY.	DESCRIPTION
1	025015	1	CS .625-11 X 2.50 HX G5
2	028118	12	FW .625 X 1.00 X .134 ZNYC
3	113088	1	BELT GUIDE
4	603256	1	DECK IDLER SPACER 1/2" LG
5	602935	2	IDLER DUST SHIELD SM
6	602821	2	IDLER 6.0" RIVETED
7	114133	1	RD DECK IDLER ARM
8	797910	2	CS .312-18 X 1.50 FLT SH ZY
9	601779	1	IDLER GUIDE
10	794446	1	CS .625-11 X 1.50 HX G5
11	603057	4	DUST SHIELD WITH OFFSET
12	602672	2	PULLEY V-IDLER HBB 5.0"
13	373191	2	CHAIN
14	781567	1	NT .500-13 HX G8 ZY NL
15	767962	13	FW .531 X 1.063 X .090 SAE
16	770867	2	BUSHING
17	109549	1	BUSHING
18	781302	2	TENSION SPRING
19	704759	1	FW .500 X 1.25 X .075 ZNY
20	784199	4	CS .312-18 X 1.25 FLT SH
21	016972	2	NT .625-11 HX G5 ZNYC
22	602963	1	IDLER DUST SHIELD LG
23	602838	1	IDLER 8.0" RIVETED
24	114105	1	IDLER SLIDE
25	601619	2	IDLER SLIDE UHMW
26	016642	3	CS .625-11 X 2.00 HX G5 Z
27	796714	2	6" HB IDLER PULLEY
28	768523	6	FW .343 X .687 X .051/.080H
29	058776	6	NT .312-18 HX ZY NL
30	782474	1	CW .631 X 2.25 X .187 PNT
31	783738	1	CS .625-11 X 3.00 FULL HX G5

NOTES:

60" Rear Discharge Spindles



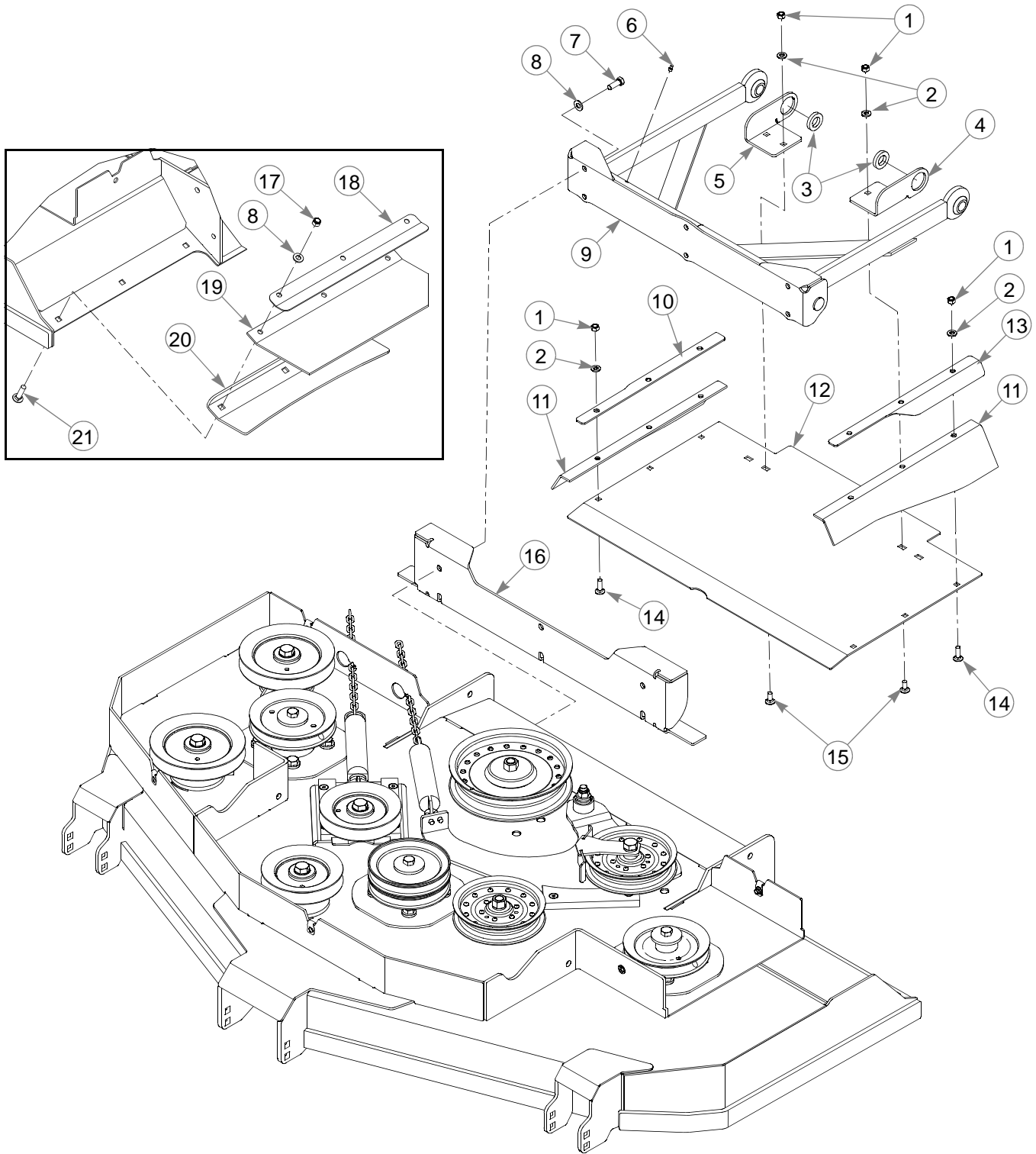
60" Rear Discharge Spindles

INDEX NO.	PART NO.	QTY.	DESCRIPTION
32	705954	1	CS .500-13 X 1.25 HX G5 ZN
33	017616	2	CS .500-13 X 1.75 HX G5
34	752386	3	CW .515 X 2.25 X .204 BLK
35	770842	2	DECK DRIVE PULLEY
36	524785	1	DOUBLE PULLEY 6.00 EFF
37	212472	3	KEY 1/4 SQ X 1.00
38	045765	2	FW 1.030 X 1.50 X .134 ZN
39	016527	12	CS .500-13 X 1.00 HX G5 ZN
40	114108	1	SPACER
41	604256	1	BLADE SPINDLE CCW
42	604255	3	BLADE SPINDLE CW

NOTES:

1. Torque to 65–75 ft-lbs.

60" Rear Discharge Dust Shield

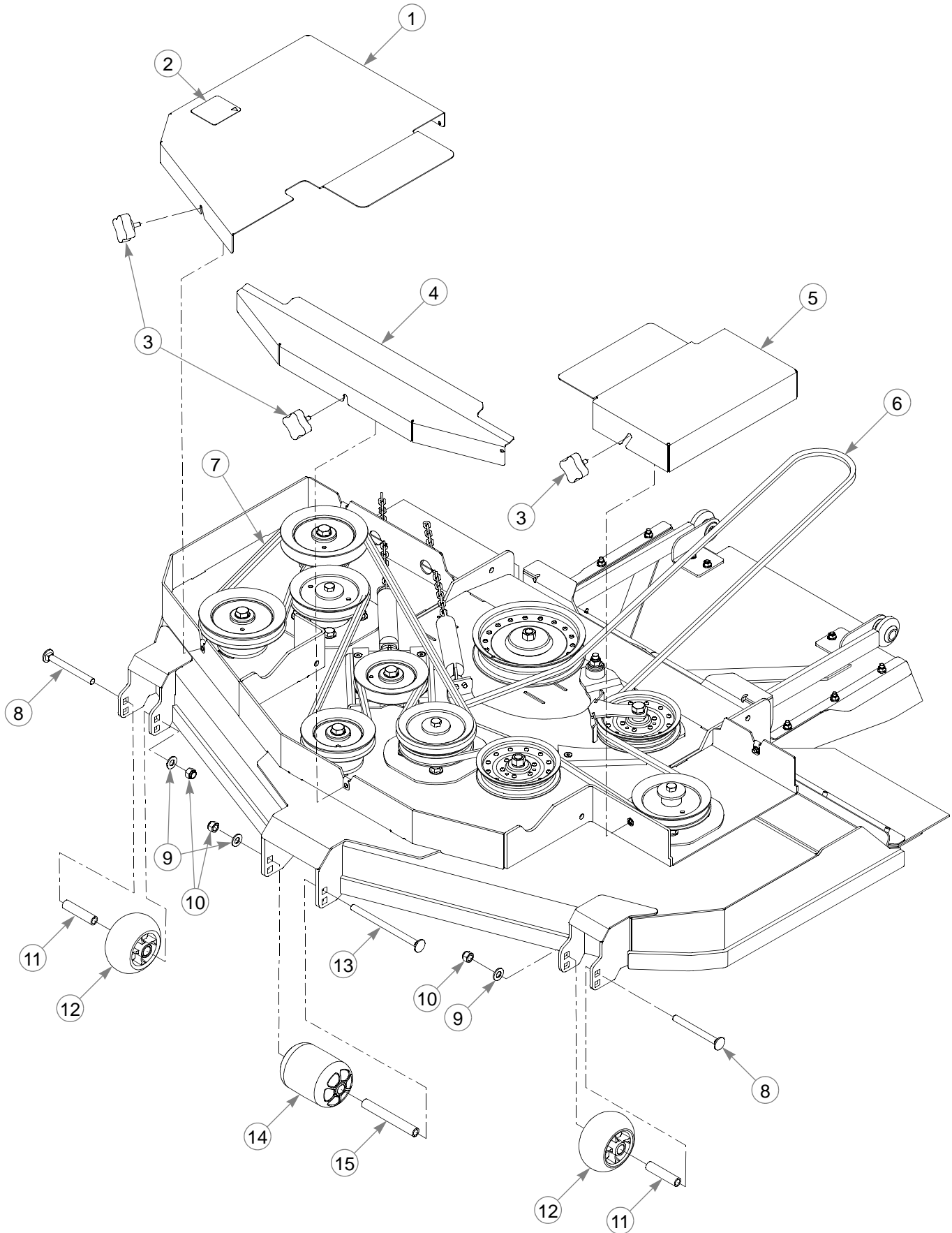


60" Rear Discharge Dust Shield

INDEX NO.	PART NO.	QTY.	DESCRIPTION
1	058776	10	NT .312-18 HX ZY NL
2	768523	10	FW .343 X .687 X .051/.080H
3	778399	2	FW .781 X 1.375 X .250 ZNY
4	109483	1	LS CHUTE BRACKET
5	109482	1	RS CHUTE BRACKET
6	015495	2	GREASE FITTING STRAIGHT
7	036244	6	CS .375-16 X 1.00 HX G5
8	767954	12	FW .406 X .812 X .060 SAE
9	113340	1	PUSHER
10	109487	1	RS CLAMP ANGLE
11	601483	2	RUBBER SIDE FLAP
12	114439	1	DUST SHIE
13	109486	1	LS CLAMP ANGLE
14	037887	6	CB .312-18 X 1.00 FULL ZN
15	016253	4	CB .312-18 X .75 FUL ZN
16	114522	1	REAR DECK STOP
17	086660	6	NT .375-16 HX ZY NL
18	106716	2	DISCHARGE CHUTE ANGLE
19	600254	2	RD REAR FLAP
20	351676	2	DECK STIFFENER ANGLE
21	710194	6	CB .375-16 X 1.50 STD G5

NOTES:

60" Rear Discharge Deck

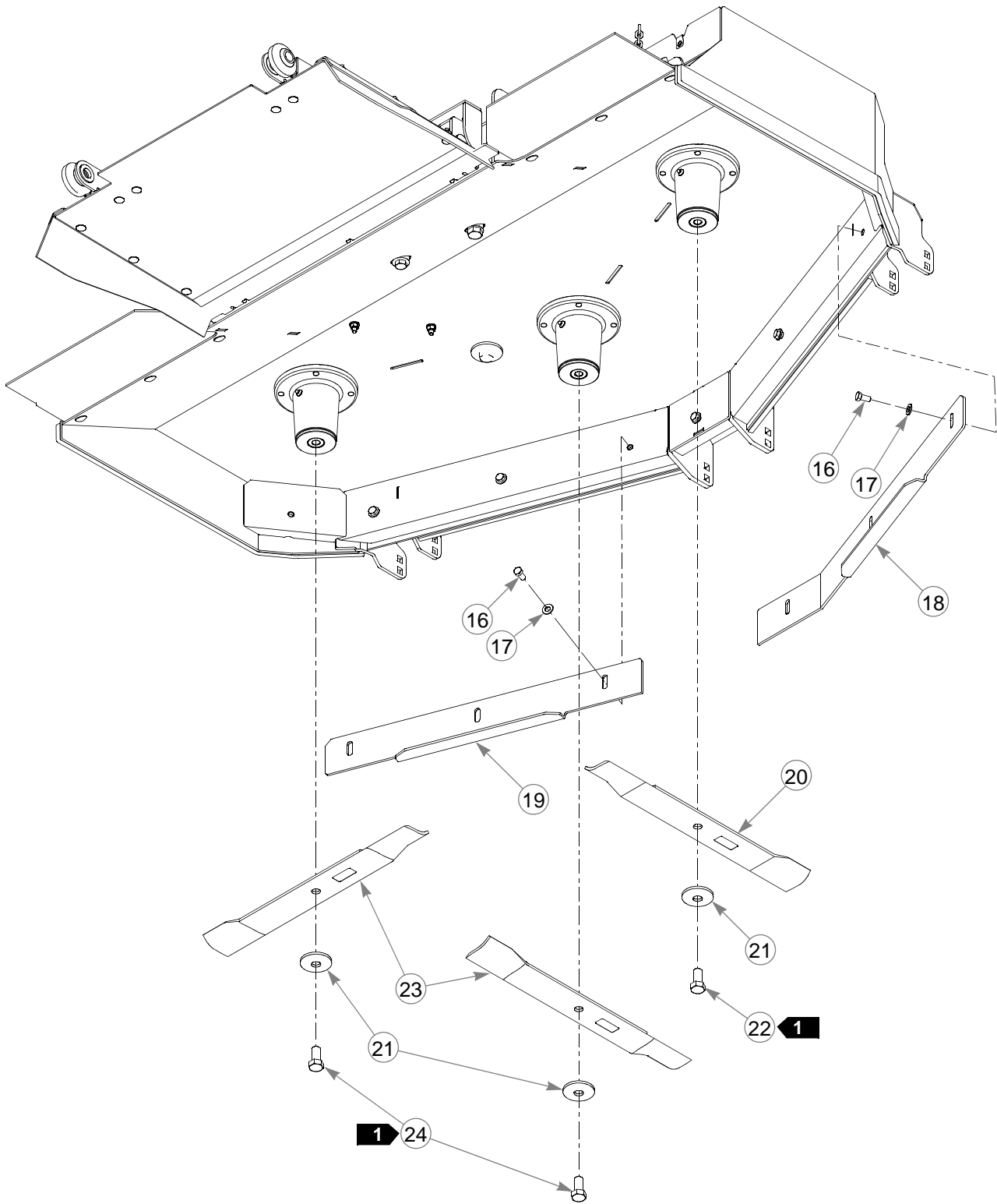


60" Rear Discharge Deck

INDEX NO.	PART NO.	QTY.	DESCRIPTION
1	550939	1	RS PULLEY COVER (WITH DECALS)
2	601837	1	DECK DANGERS DECAL
3	792002	5	KNOB 5/16-18 X 3/4"
4	114209	1	CENTER PULLEY COVER
5	114210	1	LS PULLEY COVER
6	777185	1	BELT, B 145.5" E
7	603397	1	BELT, BB-SECTION
8	603049	2	CB .500-13 X 5.00 ZNYC
9	767962	3	FW .531 X 1.063 X .090 SAE
10	781567	3	NT .500-13 HX G8 ZY NL
11	602345	2	SPACER 3.22
12	602263	2	PLASTIC WHEEL
13	602338	1	CB .500-13 X 7.50 STD ZN
14	602341	1	PLASTIC WHEEL
15	602344	1	SPACER 5.73

NOTES:

60" Rear Discharge Deck



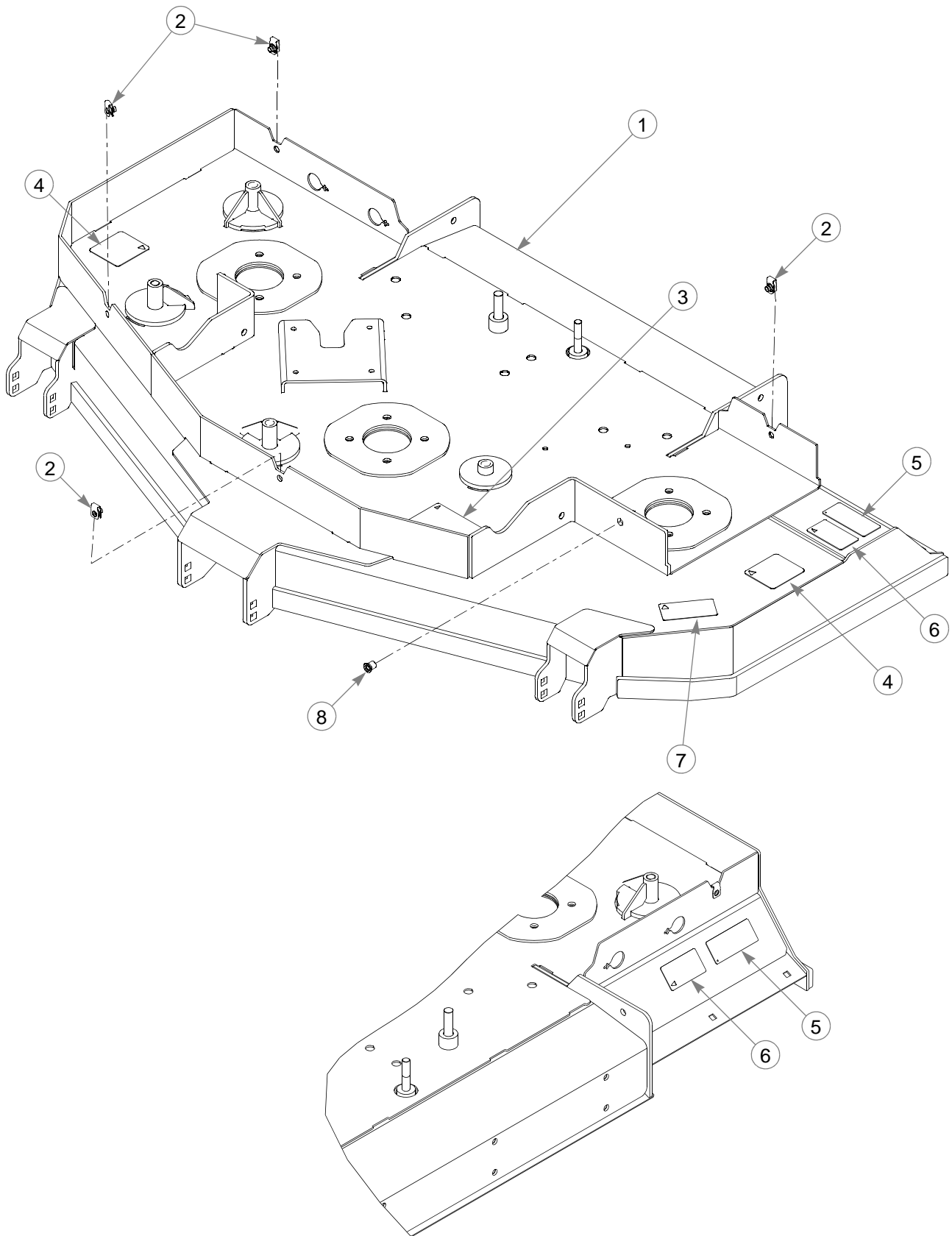
60" Rear Discharge Deck

INDEX NO.	PART NO.	QTY.	DESCRIPTION
16	055822	6	CS .375-16 X .75 HX G5
17	767954	6	FW .406 X .812 X .060 SAE
18	114204	1	RS 60" ADJUSTABLE BAFFLE
19	114205	1	LS 60" ADJUSTABLE BAFFLE
20	795633	1	BLADE, F20.50"-L-F-CCW
	601928	1	BLADE, 20.50" GAT-F-CCW
21	782474	3	CW .631 X 2.25 X .187 PNT
22	604383	1	CS .625-11 X 1.25 HX G5 LH THREAD (S/N 12092657 & HIGHER)
	601999	1	CS .625-11 X 2.25 LH HX G5 H5Y (PRIOR TO S/N 12092657)
23	600901	2	BLADE, F20.50"-L-F-CW
	794230	2	BLADE, 20.50" GAT-F-CW
24	781872	2	CS .625-11 X 1.25 HX G5 Z (S/N 12092657 & HIGHER)
	601983	2	CS .625-11 X 2.25 HX G5 ZY (PRIOR TO S/N 12092657)

NOTES:

1. Torque to 118 ft-lbs.

60" Rear Discharge Service Deck

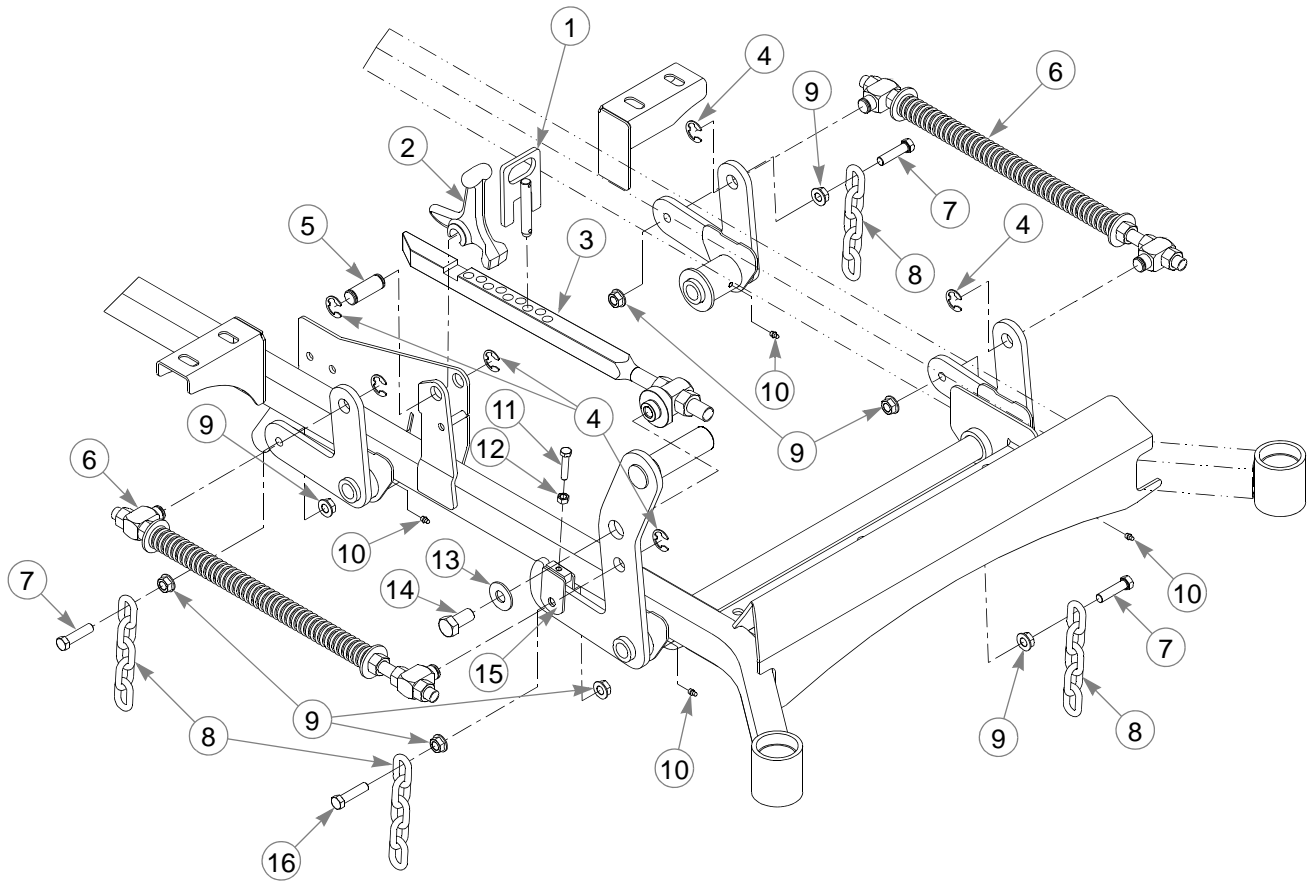


60" Rear Discharge Service Deck

INDEX NO.	PART NO.	QTY.	DESCRIPTION
1	550935	1	60" RD DECK (WITH DECALS & HARDWARE)
2	601069	4	CN .312-18 X .20 MAX THK
3	603349	1	2 BELT ROUTING DECAL
4	601837	2	DECK DANGERS DECAL
5	601892	2	THROWN OBJECTS DECAL
6	603391	2	RUBBER FLAP DECAL
7	786277	1	60" DECK DECAL
8	792887	1	5/16-18 THREAD HEX RIVET NUT

NOTES:

Rear Discharge Deck Lift

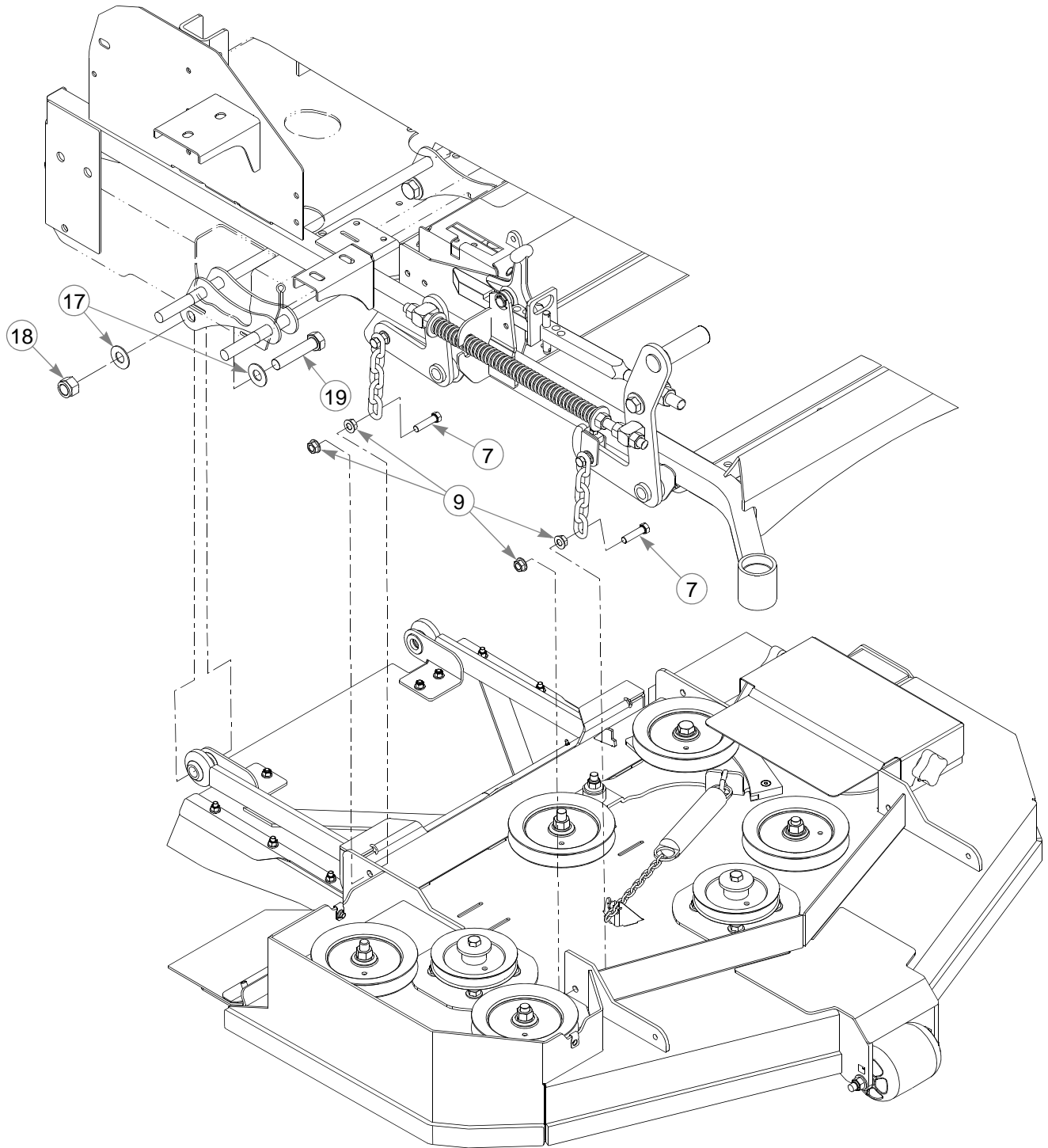


Rear Discharge Deck Lift

INDEX NO.	PART NO.	QTY.	DESCRIPTION
1	600437	1	DECK HEIGHT PIN
2	348318	1	STOP HANDLE
3	602898	1	DECK LIFT INDICATOR
4	781294	6	E CLIP 1.00 X .625 X .05
5	781229	1	CE .750 X 2.25 X 1.75 HEAD
6	782995	2	DECK LIFT SPRING
7	055749	7	CS .437-14 X 1.75 HX G5
8	348391	4	DECK LIFT CHAIN
9	704643	16	NT .437-14 HX FLG ZN
10	015495	4	GREASE FITTING STRAIGHT
11	756270	1	CS .312-18 X 1.50 FLTHR HX
12	034272	1	NT .312-18 HX G5 ZNYC
13	704783	1	FW .625 X 1.50 X .105 ZN
14	781872	1	CS .625-11 X 1.25 HX G5 Z
15	348458	1	DECK LEVELER YOKE
16	781831	1	CS .437-14 X 1.75 FULTH

NOTES:

Rear Discharge Deck Mounting Hardware



Rear Discharge Deck Mounting Hardware

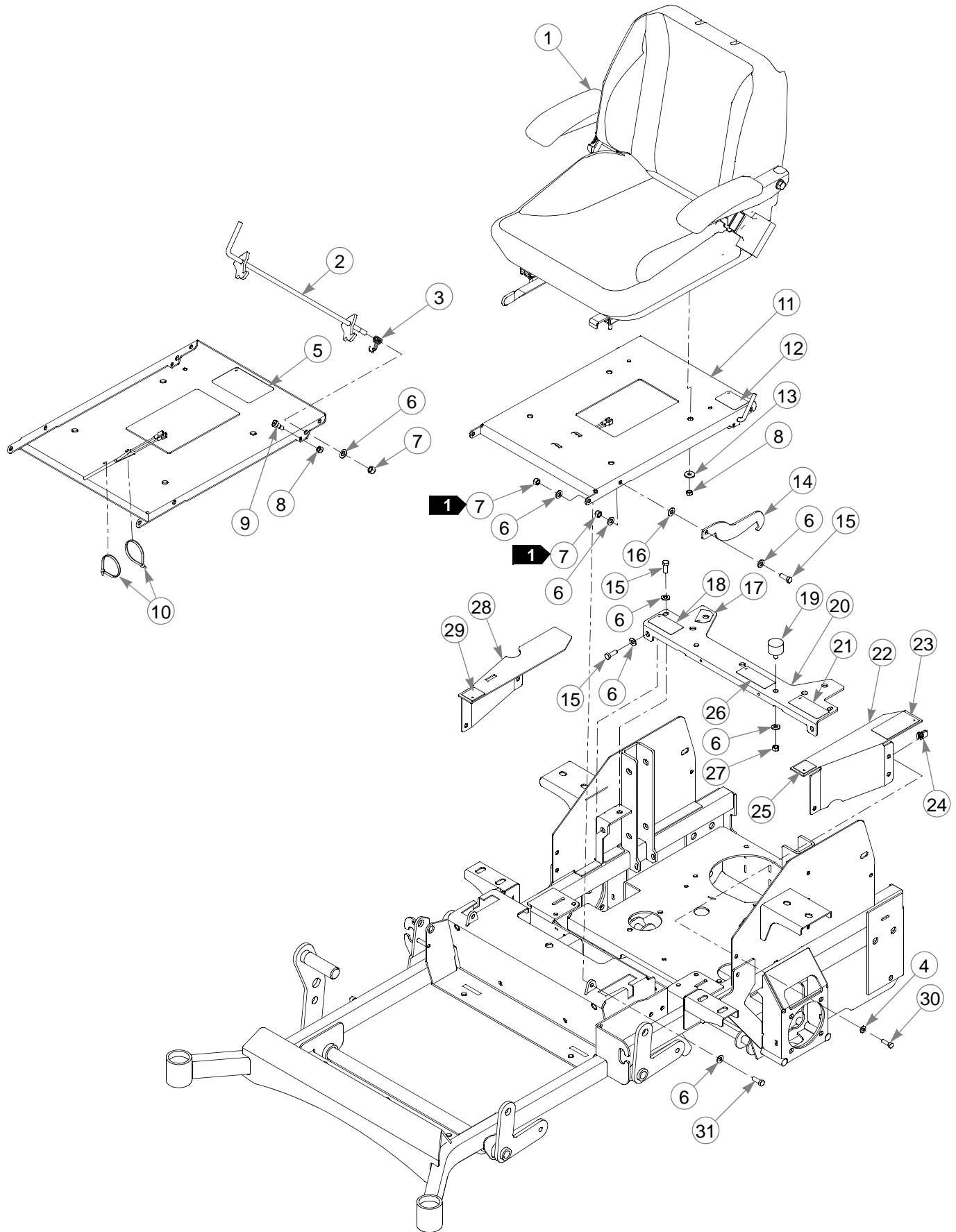
INDEX NO.	PART NO.	QTY.	DESCRIPTION
17	025296	4	FW .760 X 1.625 X .08 ZNYC
18	061101	2	NT .750-10 HX ZY NL
19	789115	2	CS .750-10 X 3.50 HX G5

NOTES:

Section 8

Seat, Deluxe—S/N 11020000 & Higher	8-2
Seat, Deluxe—S/N Prior to 11020000	8-4
Seat Service Parts, Deluxe	8-6
Seat Service Parts, Super Deluxe	8-7
ROPS	8-8

Seat, Deluxe—S/N 11020000 & Higher



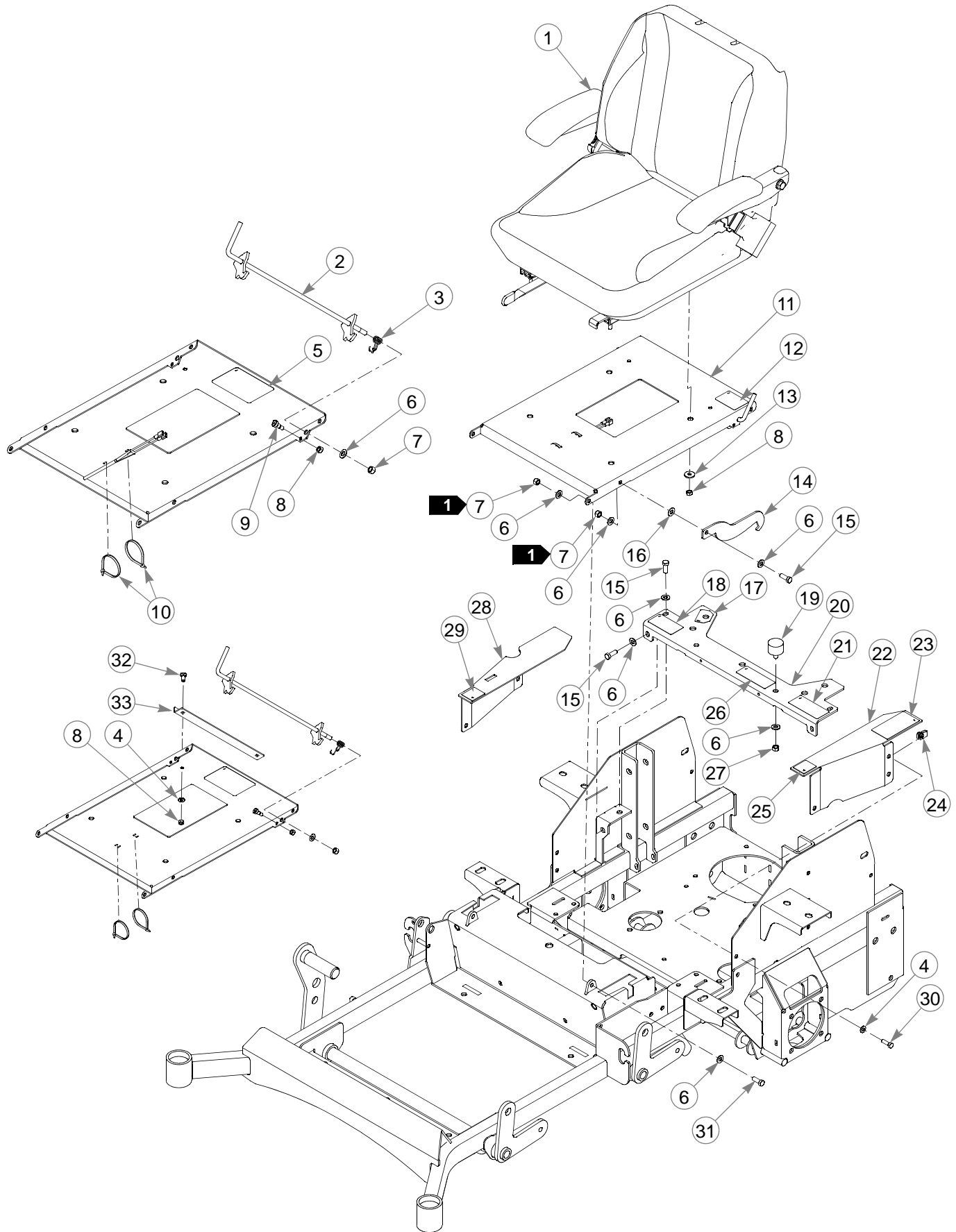
Seat, Deluxe—S/N 11020000 & Higher

INDEX NO.	PART NO.	QTY.	DESCRIPTION
1	602967	1	DELUXE SEAT
2	113393	1	SEAT LATCH
3	783910	1	TORSION SPRING
4	768523	5	FW .343 X .687 X .051/.080H
5	601815	1	BATTERY WARNINGS DECAL
6	767954	13	FW .406 X .812 X .060 SAE
7	086660	4	NT .375-16 HX ZY NL
8	058776	5	NT .312-18 HX ZY NL
9	754358	1	SB .375 X .375 SH .312-18
10	000331	2	WIRE TIE
11	550741	1	SEAT PAN (WITH DECALS & INSTALLATION KIT)
12	785188	1	ARMREST WARNING DECAL
13	712927	4	FW .344 X 1.00 X .12 HRD Z
14	350421	1	SEAT PAN STOP
15	036244	5	CS .375-16 X 1.00 HX G5
16	724716	1	FIBER WASHER
17	791848	1	FUEL INDICATOR DECAL
18	601968	1	HYDRAULIC PRESSURE DECAL
19	601650	2	VIBRATION MOUNT
20	550742	1	SEAT SUPPORT ANGLE (WITH DECALS)
21	601967	1	ENGINE COMPARTMENT DECAL
22	550766	1	LS FRAME COVER (WITH DECALS)
23	600899	1	PUMP BELT WARNING DECAL
24	601069	5	CN .312-18 X .20 MAX THK
25	785139	1	LS STEERING DECAL
26	779280	1	HOT & HYD OIL DECAL
27	054502	2	NT .375-16 HX G5 ZNY
28	550765	1	RS FRAME COVER (WITH DECAL)
29	785220	1	RS STEERING DECAL
30	036236	5	CS .312-18 X 1.00 HX G5
31	052860	2	CS .375-16 X 1.25 HX G5 ZN

NOTES:

1. Do not torque; the seat pan & seat pan stop must pivot freely.

Seat, Deluxe—S/N Prior to 11020000



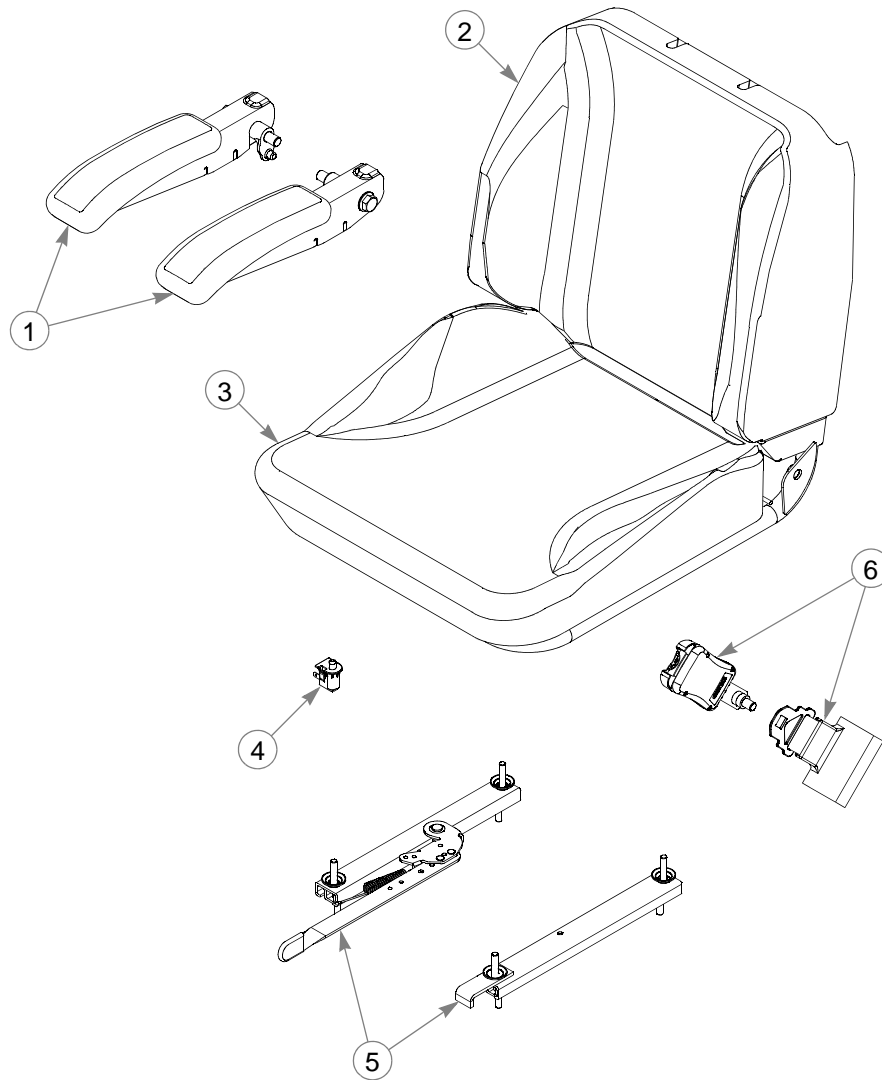
Seat, Deluxe—S/N Prior to 11020000

INDEX NO.	PART NO.	QTY.	DESCRIPTION
1	602967	1	DELUXE SEAT
2	113393	1	SEAT LATCH
3	783910	1	TORSION SPRING
4	768523	7	FW .343 X .687 X .051/.080H
5	601815	1	BATTERY WARNINGS DECAL
6	767954	13	FW .406 X .812 X .060 SAE
7	086660	4	NT .375-16 HX ZY NL
8	058776	5	NT .312-18 HX ZY NL
9	754358	1	SB .375 X .375 SH .312-18
10	000331	2	WIRE TIE
11	550741	1	SEAT PAN (WITH DECALS & INSTALLATION KIT)
12	785188	1	ARMREST WARNING DECAL
13	712927	4	FW .344 X 1.00 X .12 HRD Z
14	350421	1	SEAT PAN STOP
15	036244	5	CS .375-16 X 1.00 HX G5
16	724716	1	FIBER WASHER
17	791848	1	FUEL INDICATOR DECAL
18	601968	1	HYDRAULIC PRESSURE DECAL
19	601650	2	VIBRATION MOUNT
20	550742	1	SEAT SUPPORT ANGLE (WITH DECALS)
21	601967	1	ENGINE COMPARTMENT DECAL
22	550766	1	LS FRAME COVER (WITH DECALS)
23	600899	1	PUMP BELT WARNING DECAL
24	601069	5	CN .312-18 X .20 MAX THK
25	785139	1	LS STEERING DECAL
26	779280	1	HOT & HYD OIL DECAL
27	054502	2	NT .375-16 HX G5 ZNY
28	550765	1	RS FRAME COVER (WITH DECAL)
29	785220	1	RS STEERING DECAL
30	036236	5	CS .312-18 X 1.00 HX G5
31	052860	2	CS .375-16 X 1.25 HX G5 ZN
32	016253	2	CB .312-18 X .75 FUL ZN
33	113713	1	SEAT STOP

NOTES:

1. Do not torque; the seat pan & seat pan stop must pivot freely.

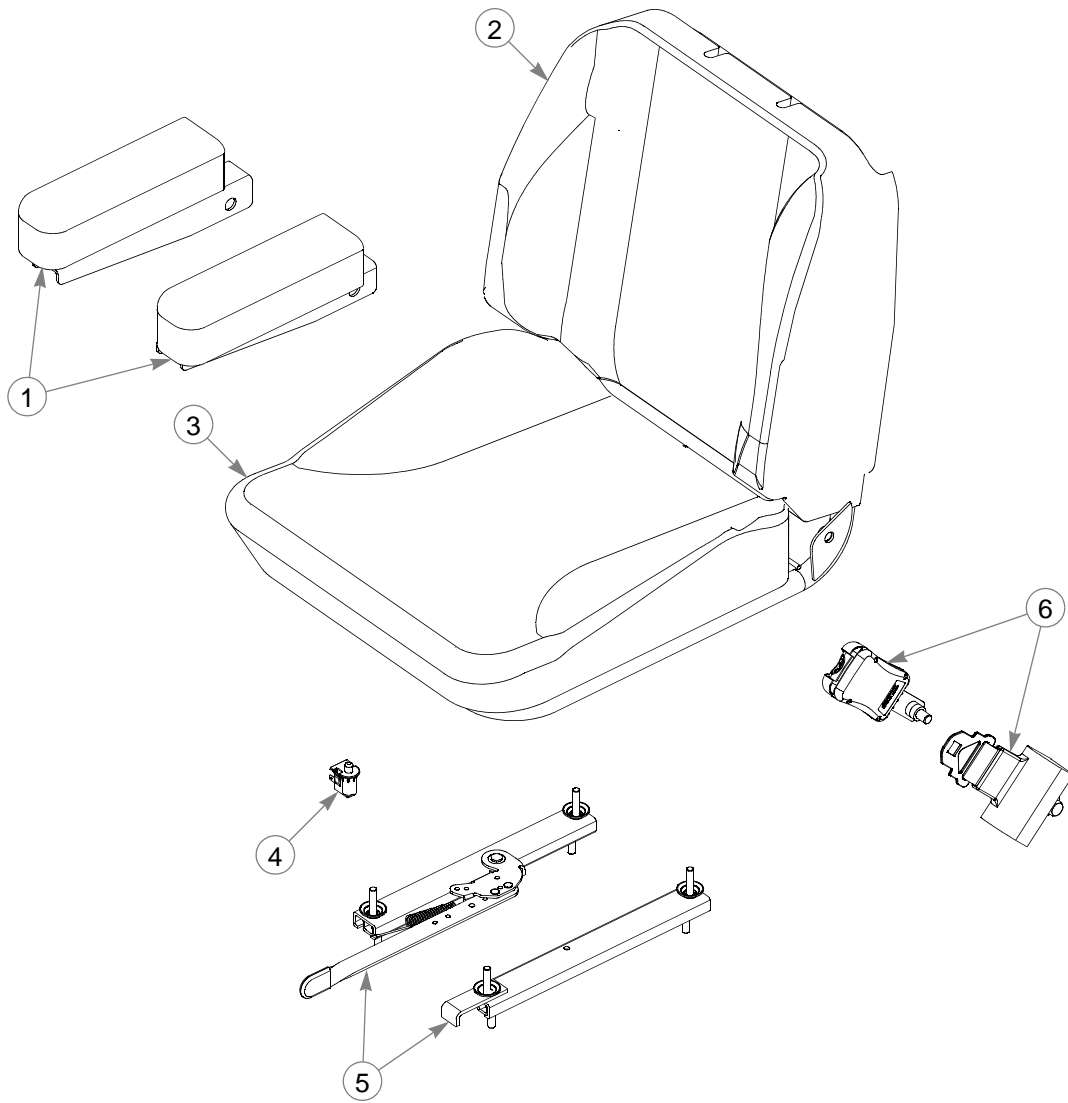
Seat Service Parts, Deluxe



INDEX NO.	PART NO.	QTY.	DESCRIPTION
1	603260	1	ARMREST KIT
2	603694	1	BACK SEAT COVER
3	603693	1	BOTTOM SEAT COVER
4	603148	1	SEAT SWITCH
5	603146	1	STANDARD SEAT TRACK KIT
6	603133	1	SEAT BELT KIT

NOTES:

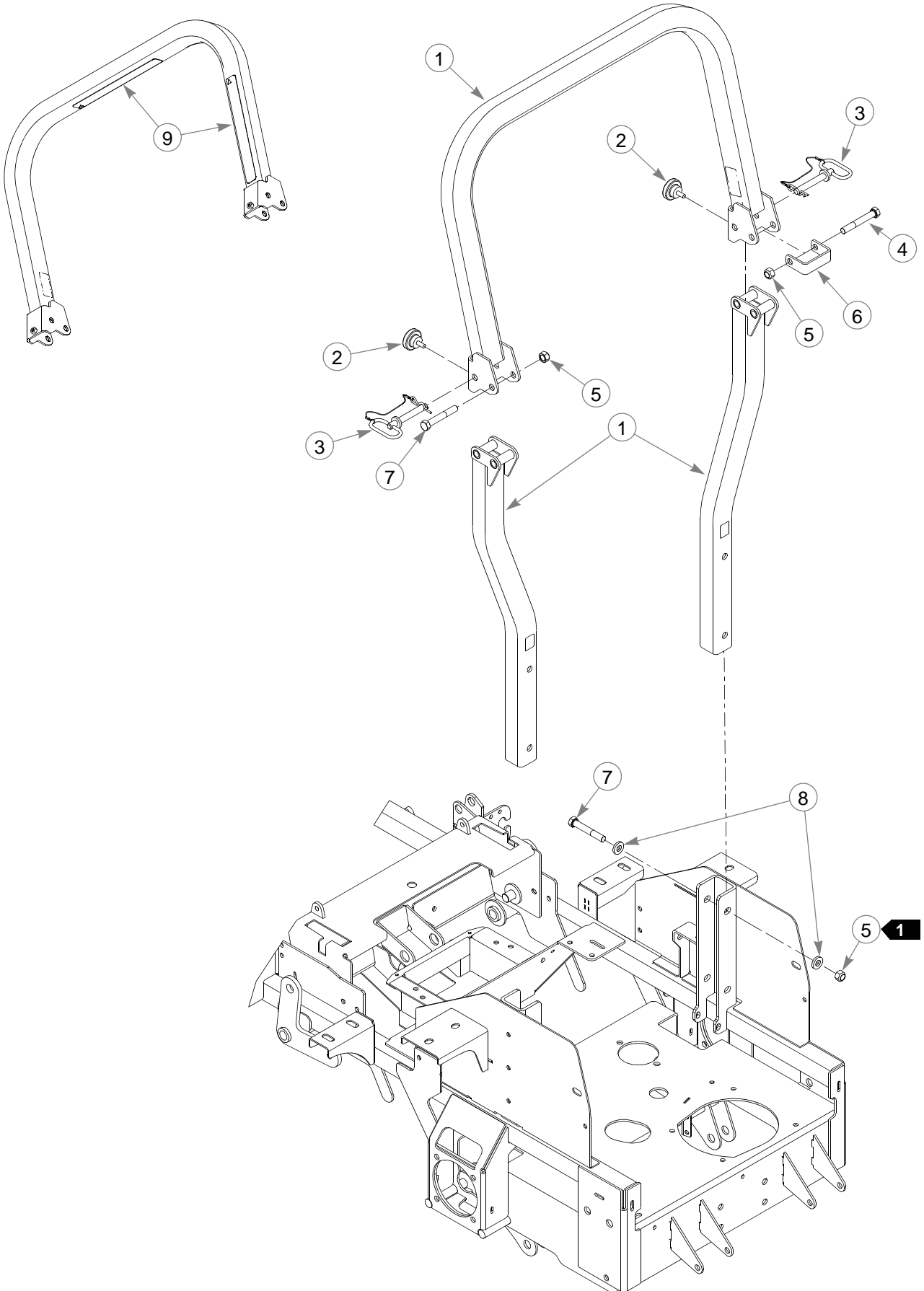
Seat Service Parts, Super Deluxe



INDEX NO.	PART NO.	QTY.	DESCRIPTION
1	603260	1	ARMREST KIT
2	603692	1	BACK SEAT COVER
3	603691	1	BOTTOM SEAT COVER
4	603148	1	SEAT SWITCH
5	603146	1	STANDARD SEAT TRACK KIT
6	603133	1	SEAT BELT KIT

NOTES:

ROPS



ROPS

INDEX NO.	PART NO.	QTY.	DESCRIPTION
1	603280	1	ROPS KIT (WITH DECALS, HARDWARE & SEATBELT)
2	601470	2	HAND KNOB
3	601471	2	LYNCH PIN W/ LANYARD
4	061812	1	CS .500-13 X 3.50 HX G5
5	023317	6	NT .500-13 UNT LK G8 ZN
6	603099	1	ROPS STOP
7	077859	5	CS .500-13 X 3.25 HX G5
8	767962	8	FW .531 X 1.063 X .090 SAE
9	601635	2	ROPS DECAL

NOTES:

1. Torque to 73 ft-lbs.
