

*Hustler® X-One®  
Parts Manual*



**HUSTLER®**  
ENGINEERING PERFORMANCE™

200 South Ridge Road  
Hesston, Kansas  
67062



---

# Table of Contents

## General Information

Service Literature . . . . .	1-1
Options Available From Your Dealer. . . . .	1-1
Using This Manual . . . . .	1-1
Standard Torques . . . . .	1-2

## Section 2

Frame—Side Discharge . . . . .	2-2
Frame—Rear Discharge . . . . .	2-4
Engine Guard . . . . .	2-6

## Section 3

Hydraulic System . . . . .	3-2
Transmission Service Parts . . . . .	3-4
Steering. . . . .	3-6
Steering Cover . . . . .	3-8
LS Steering Box Assembly . . . . .	3-12
RS Steering Box Assembly . . . . .	3-14
Brake. . . . .	3-16

## Section 4

Wheel & Tire . . . . .	4-2
Front Tire Assembly . . . . .	4-4
Drive Wheel Breakdown . . . . .	4-6

## Section 5

Engine. . . . .	5-2
Engine Service Parts. . . . .	5-6
Fuel System . . . . .	5-8
Fuel Tank Service Parts . . . . .	5-11

## Section 6

Battery. . . . .	6-2
Instrument Panel. . . . .	6-4

## Section 7

52" Service Deck. . . . .	7-2
52" Deck Pulleys & Spindles. . . . .	7-4
52" Deck . . . . .	7-6
54" Service Deck. . . . .	7-10
54" Deck Pulleys & Spindles. . . . .	7-12
54" Deck . . . . .	7-14
60" Service Deck. . . . .	7-18
60" Deck Pulleys & Spindles. . . . .	7-20
60" Deck . . . . .	7-22
60" Rear Discharge Service Deck. . . . .	7-26
60" Rear Discharge Deck Pulleys & Spindles. . . . .	7-28
60" Rear Discharge Deck . . . . .	7-30
54"/60" Rear Discharge Deck Dust Shield . . . . .	7-34

---

72" Service Deck . . . . .	7-36
72" Deck Pulleys & Spindles . . . . .	7-38
72" Deck . . . . .	7-40
Deck Lift . . . . .	7-44

**Section 8**

Seat . . . . .	8-2
Seat Service Parts . . . . .	8-4
ROPS . . . . .	8-6

---

# General Information

This manual covers Hustler® X-One® models **936237EX, 936286EX, 936328EX, 936401EX & 936419EX.**

---

## **Service Literature**

<b>PART NO.</b>	<b>DESCRIPTION</b>
606528	OPERATOR'S MANUAL
113856	WARRANTY STATEMENT

---

## **Options Available From Your Dealer**

<b>PART NO.</b>	<b>DESCRIPTION</b>
122842	STRIPE KIT
935783	3-BAG CATCHER
935775	BAC VAC CATCHER
123336	52" ADAPTER KIT
123337	60" ADAPTER KIT
123338	72" ADAPTER KIT
123105	52" MULCH KIT
123462	54" MULCH KIT
123106	60" MULCH KIT
124070	72" MULCH KIT
122923	DECK LIFT KIT
123549	LIGHT KIT
603167	FLEX FORKS
122923	ELECTRIC DECK LIFT KIT
122760	STEERING LEVER EXTENSION KIT

*Note: When ordering parts, you must use the part number as shown for each part, not the index number. Always give the model and serial number to your parts and service representative.*

*Note: Items sold in bulk such as seals and hoses are sold by the foot.*

---

## **Using This Manual**

*This manual is part of a service package for the Hustler® mowers. Use of this manual in conjunction with other Hustler® mower and component manuals will provide the information necessary to service and maintain Hustler® mowers.*

*This Parts Manual provides a complete parts listing for the unit. Use this manual when ordering parts. Illustrations used were current at the time of printing, but subsequent production changes may cause your machine to vary slightly in detail. Excel Industries, Inc. reserves the right to redesign and change the machine as deemed necessary, without notification. If a change has been made to your machine which is not reflected in this parts manual, see your authorized dealer for current information and parts.*

*The Service Manual is a service guide for use by Service Technicians. It provides the necessary information needed to perform normal maintenance requirements on these units.*

*The Operator's Manual provides fundamental operational information and operational safety that is needed when operating the mower.*

*The component manuals are furnished by the various manufacturers to be used for the troubleshooting and servicing of their products.*

---

---

## **Hardware Description Codes & Abbreviations**

The following codes are used throughout this parts manual. Refer to this list when ordering parts.

<b>ABBREVIATION</b>	<b>DESCRIPTION</b>	<b>ABBREVIATION</b>	<b>DESCRIPTION</b>
CB	CARRIAGE BOLT	MB	MACHINE BUSHING
CE	CLEVIS PIN	MS	MACHINE SCREW
CN	CLIP NUT	NT	NUT
CP	COTTER PIN	SC	SELF TAPPING CAP SCREW
CS	CAP SCREW	SH	SOCKET HEAD
CW	CUP WASHER	SB	SHOULDER BOLT
FDRW	FENDER WASHER	SS	SET SCREW
FW	FLAT WASHER	OD	OUTSIDE DIAMETER
HX	HEX HEAD	ID	INSIDE DIAMETER
LW	LOCK WASHER	WN	WELD NUT

---

## **Standard Torques**

The following chart lists the standard torque values for the threaded fasteners found in this manual. Torque all cap screws, nuts and set screws to these values unless a different torque is shown in the Notes section next to the fastener.

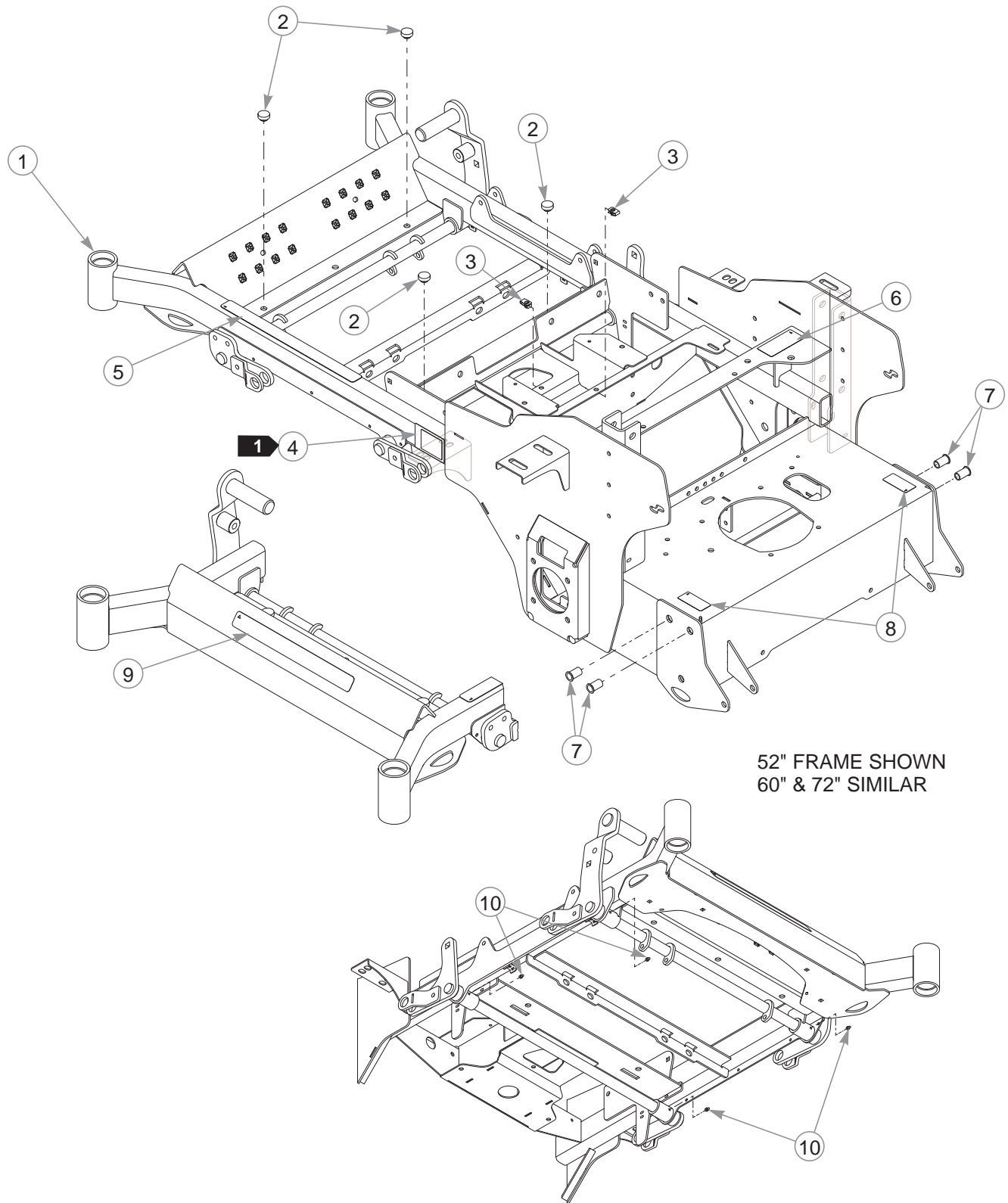
<b>SIZE</b>	<b>FT-LBS</b>	<b>N•M</b>	<b>SIZE</b>	<b>FT-LBS</b>	<b>N•M</b>
.250	8.2	11.1	M3	1	1.3
.312	17	23	M4	2.2	3
.375	30	40	M5	4.5	6.1
.438	48	65	M6	7.7	10.4
.500	73	99	M8	18.5	25
.562	105	143	M10	37	50
.625	145	200	M12	64	87
.750	260	350	M14	80	108.5
.875	420	565	M16	160	215
1.00	625	850	M20	320	435
			M24	555	750

---

## Section 2

Frame—Side Discharge . . . . .	2-2
Frame—Rear Discharge . . . . .	2-4
Engine Guard. . . . .	2-6

# Frame—Side Discharge



52" FRAME SHOWN  
60" & 72" SIMILAR



---

## **Frame—Side Discharge**

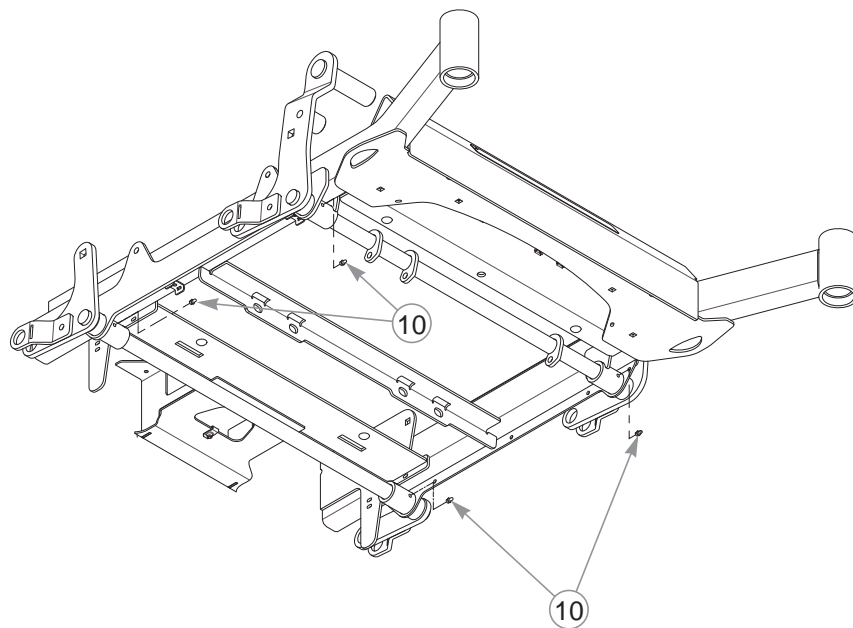
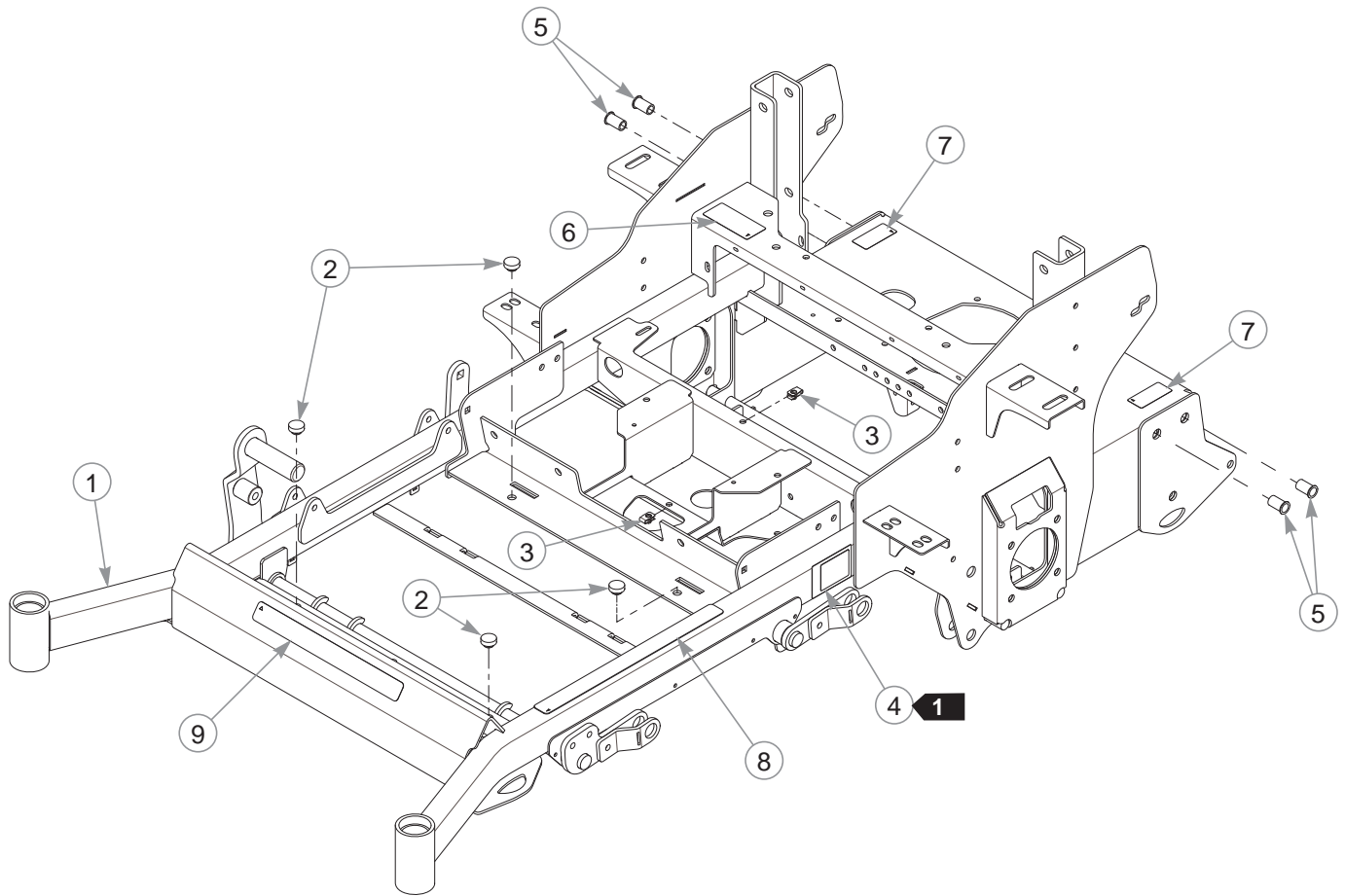
INDEX NO.	PART NO.	QTY.	DESCRIPTION
1	553831	1	52" FRAME (WITH DECALS)
	553832	1	60" FRAME (WITH DECALS)
	553833	1	72" FRAME (WITH DECALS)
2	781880	4	BUMPER .500 X 1.00 X .31
3	601982	2	CN .250-20 X .15 MAX THK
4	N/A	1	SERIAL NUMBER / SPEC DECAL
5	601993	1	SAFE OPERATION DECAL
6	601967	1	ENGINE COMPARTMENT DECAL
7	600961	4	1/2-13 THREAD RIVET NUT
8	602041	2	HOT DECAL
9	602407	1	HUSTLER ID DECAL
10	015495	4	GREASE FITTING STRAIGHT

---

### **NOTES:**

1. Serial number decal. In the event the serial number decal becomes damaged or illegible, please contact your dealer to order a replacement.

# Frame—Rear Discharge



---

## **Frame—Rear Discharge**

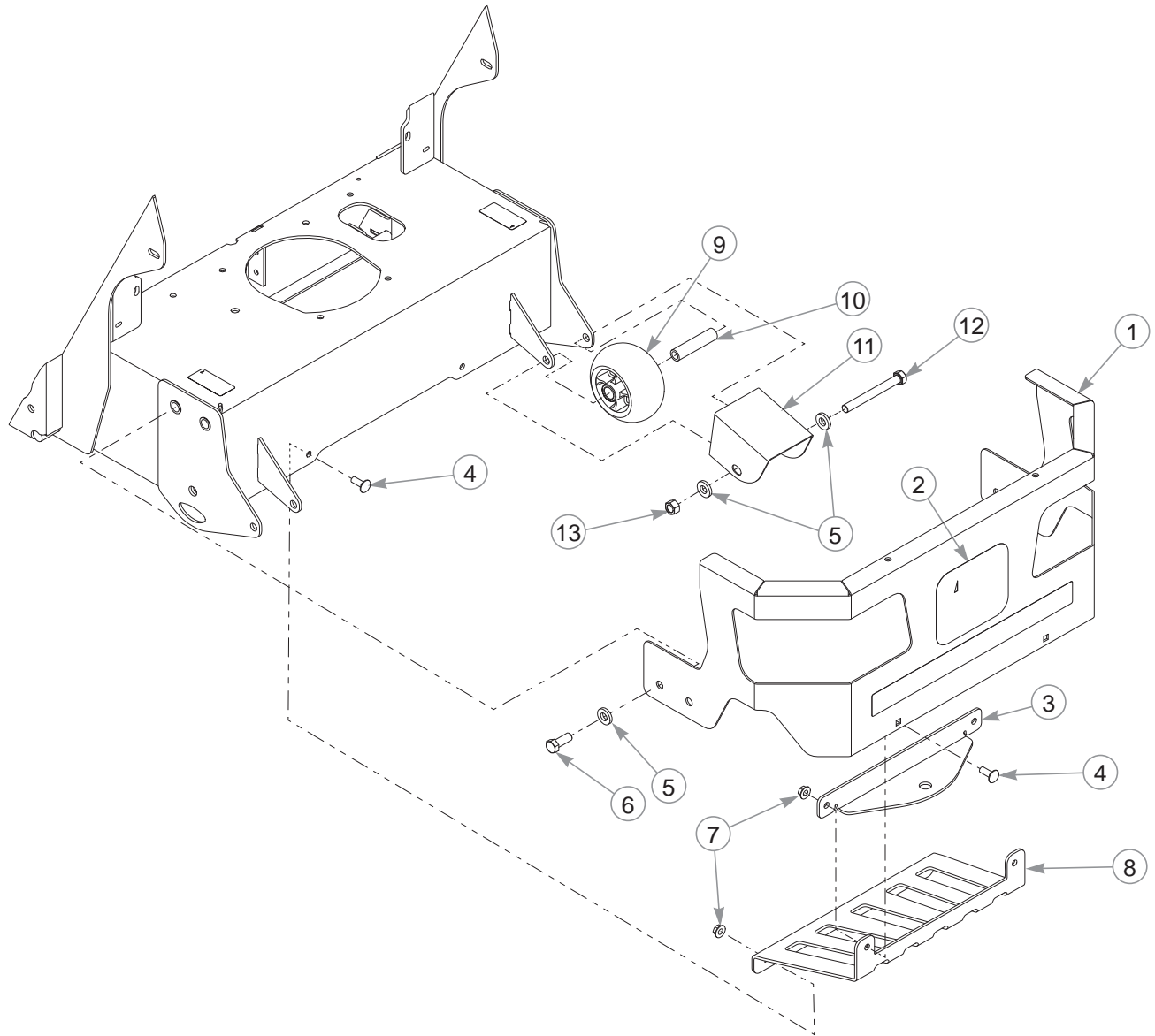
INDEX NO.	PART NO.	QTY.	DESCRIPTION
1	553876	1	FRAME, 54" (WITH DECALS AND RIVET NUTS)
	553833	1	FRAME, 60" (WITH DECALS AND RIVET NUTS)
2	781880	4	BUMPER .500 X 1.00 X .31
3	601982	2	CN .250-20 X .15 MAX THK
4	083279	1	SERIAL NUMBER / SPEC DECAL
5	600961	4	1/2-13 THREAD RIVET NUT
6	601967	1	ENGINE COMPARTMENT DECAL
7	602041	2	HOT DECAL
8	601993	1	SAFE OPERATION DECAL
9	602407	1	HUSTLER ID DECAL
10	015495	4	GREASE FITTING STRAIGHT

---

### **NOTES:**

1. Serial number decal. For service assemblies, a unique serial number decal is required. Contact Production Control.

# Engine Guard



---

## **Engine Guard**

INDEX NO.	PART NO.	QTY.	DESCRIPTION
1	553843	1	ENGINE GUARD (WITH DECAL)
2	604352	1	H LOGO DECAL
3	121404	1	HITCH
4	025395	4	CB .375-16 X 1.00 G5 ZNY
5	767962	8	FW .531 X 1.063 X .175
6	705954	4	CS .500-13 X 1.25 HX G5
7	016899	4	NT .375-16 HX G5 FLK
8	606483	1	MUFFLER GUARD
9	602263	2	PLASTIC WHEEL
10	602345	2	SPACER 3.22
11	377994	2	SHIELD
12	068239	2	CS .500-13 X 4.50 HX G5
13	008193	2	NT .500-13 HX G5 ZNYC

---

### **NOTES:**

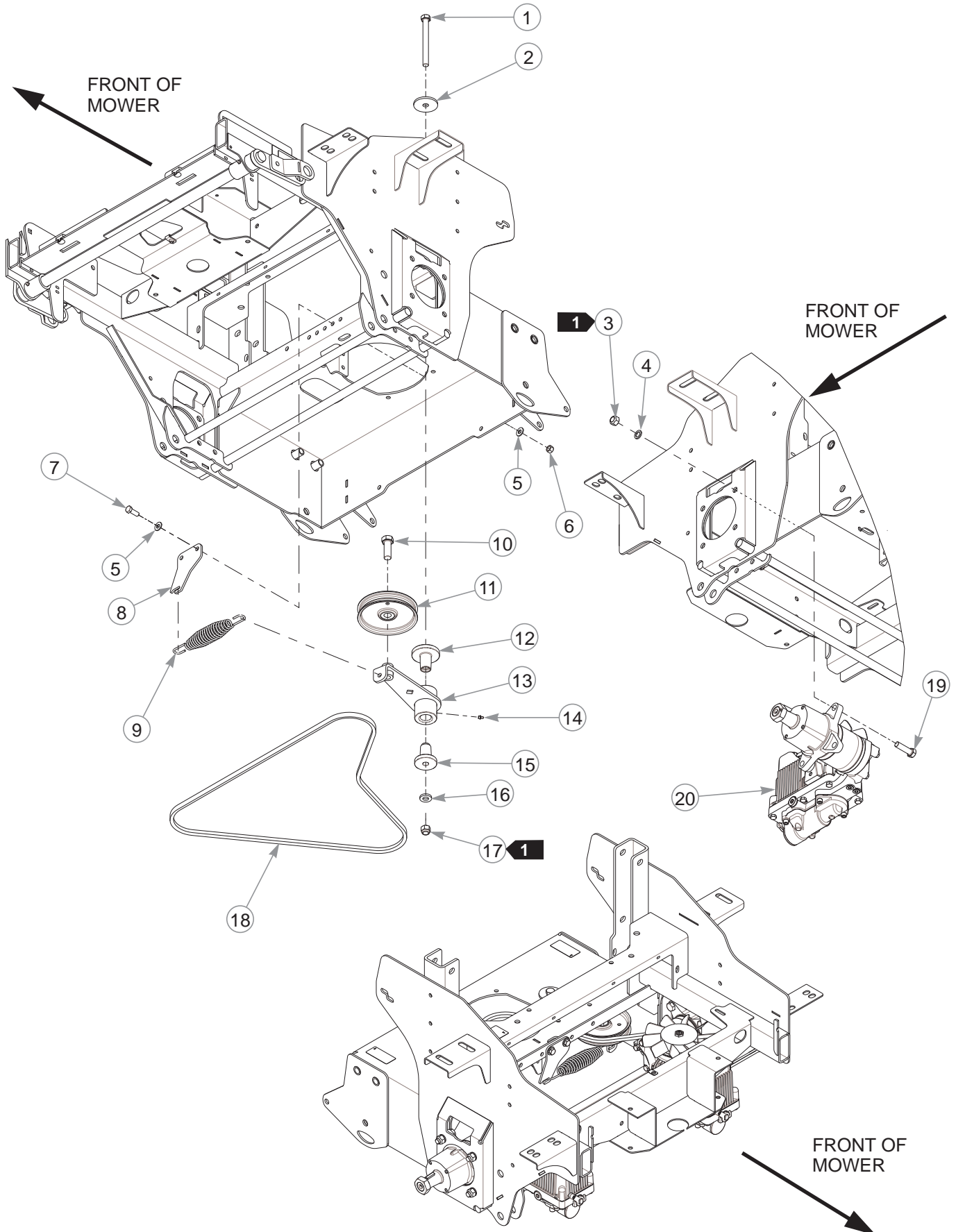


---

## Section 3

Hydraulic System . . . . .	3-2
Transmission Service Parts . . . . .	3-4
Steering . . . . .	3-6
Steering Cover . . . . .	3-8
LS Steering Box Assembly . . . . .	3-12
RS Steering Box Assembly . . . . .	3-14
Brake . . . . .	3-16

# Hydraulic System





---

## **Hydraulic System**

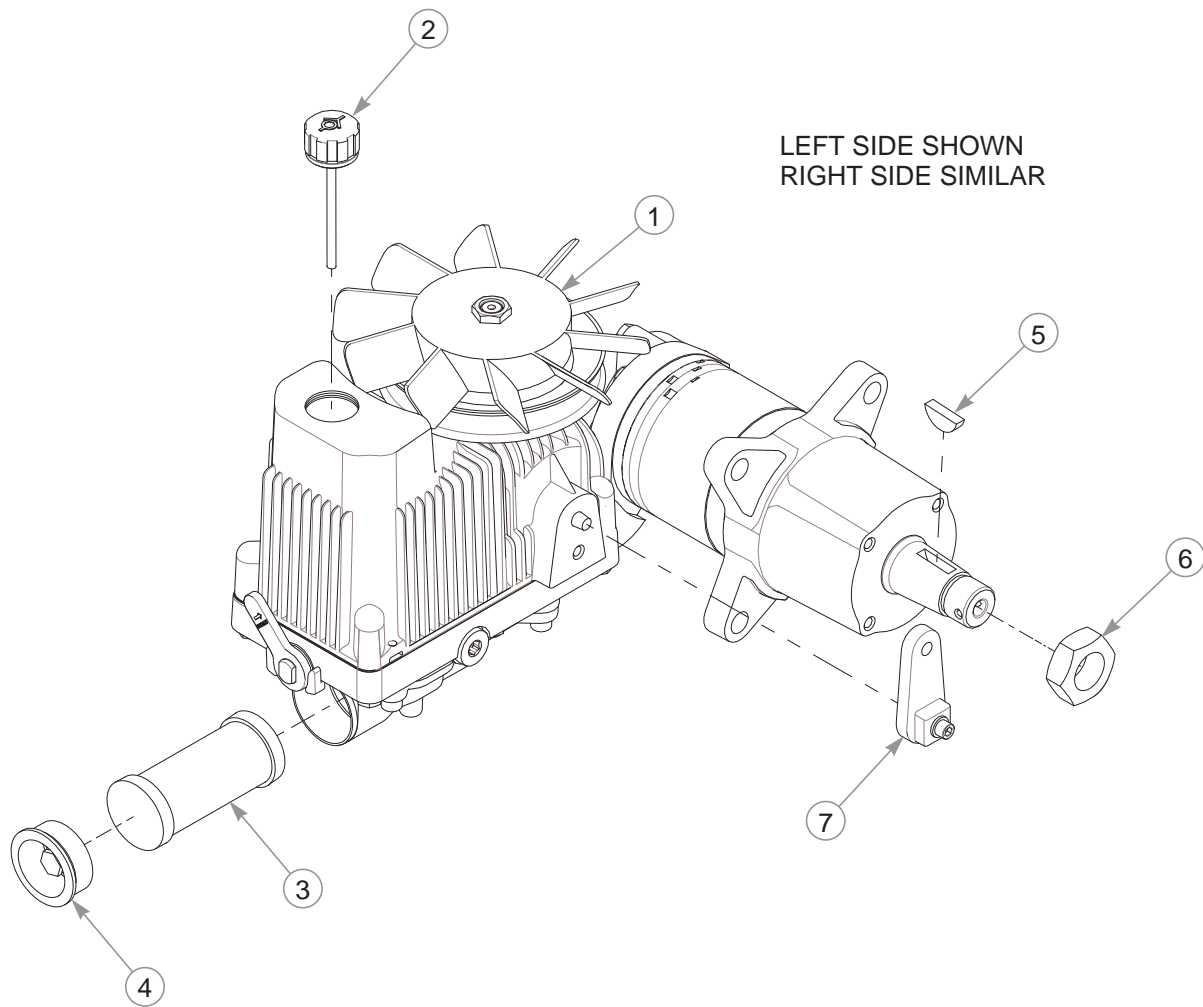
INDEX NO.	PART NO.	QTY.	DESCRIPTION
1	051151	1	CS .500-13 X 5.00 HX G5
2	344267	1	FW .510 X 2.15 X .187 SPL
3	023317	8	NT .500-13 UNT LK G8
4	604486	8	FW .531 X .812 X .089 HD
5	767954	4	FW .379 X .813 X .063
6	054502	2	NT .375-16 HX G5
7	036244	2	CS .375-16 X 1.00 HX G5
8	123183	1	IDLER SPRING MOUNT
9	781302	1	TENSION SPRING
10	025007	1	CS .625-11 X 1.75 HX G5
11	602304	1	5" FLAT IDLER PULLEY
12	602880	1	IDLER PIVOT BUSHING
13	122905	1	TENSIONER
14	015495	1	GREASE FITTING STRAIGHT
15	602879	1	IDLER PIVOT BUSHING
16	767962	1	FW .531 X 1.063 X .175
17	781567	1	NT .500-13 HX G8 ZY NL
18	606411	1	BELT
19	017616	8	CS .500-13 X 1.75 HX G5
20	606401	1	LS TRANSMISSION
21	606402	1	RS TRANSMISSION (NOT SHOWN)

---

### **NOTES:**

1. Torque to 71–75 ft-lbs. The tensioner should pivot freely.

# Transmission Service Parts



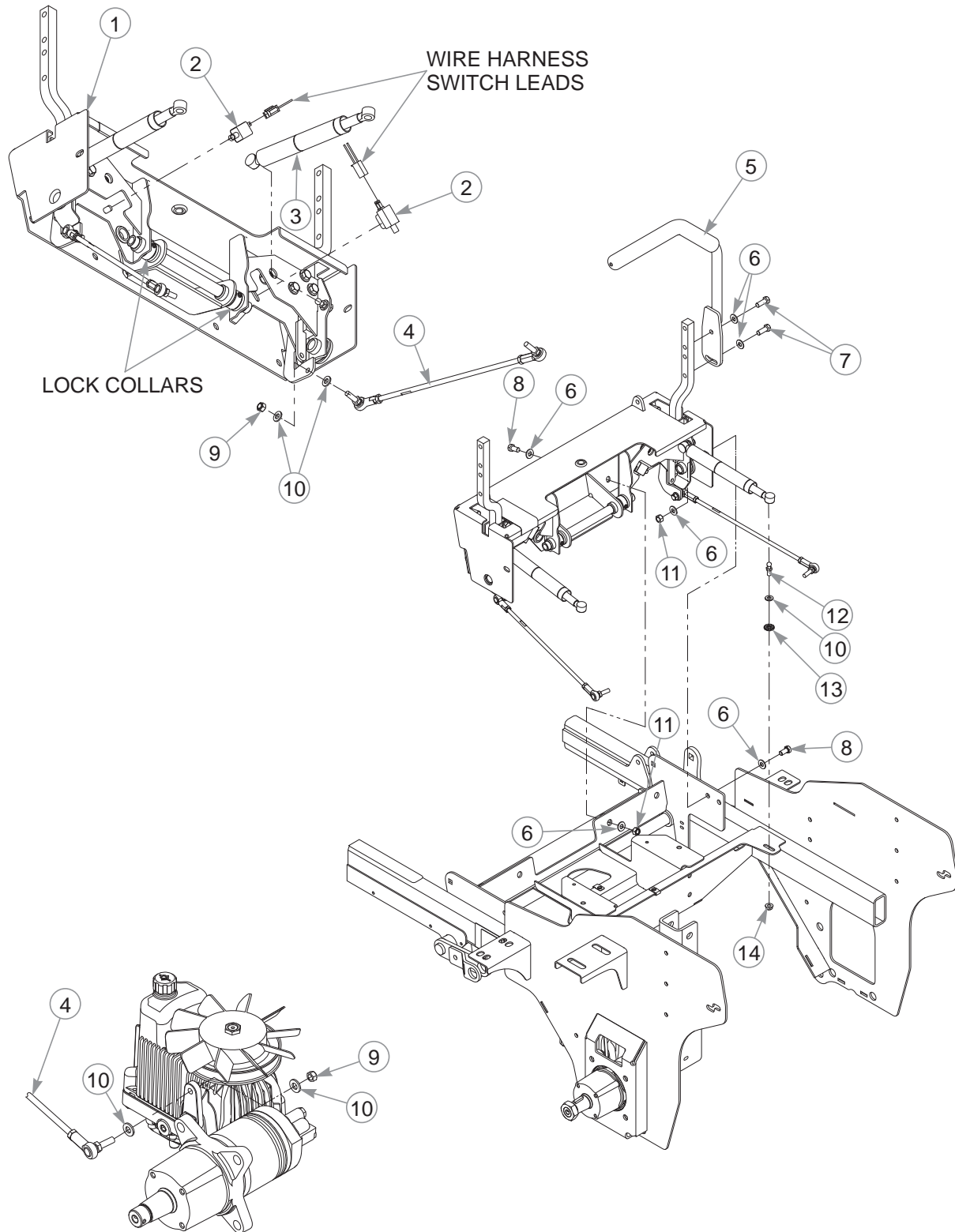
INDEX NO.	PART NO.	QTY.	DESCRIPTION
1	604132	1	FAN PULLEY KIT
2	604131	1	RESERVOIR CAP
3	604126	1	FILTER
4	604130	1	FILTER CAP
5	064337	1	WOODRUFF KEY
6	065516	1	CASTLE NUT
7	606461	1	CONTROL LEVER

## NOTES:

---

**This page intentionally left blank.**

# Steering



---

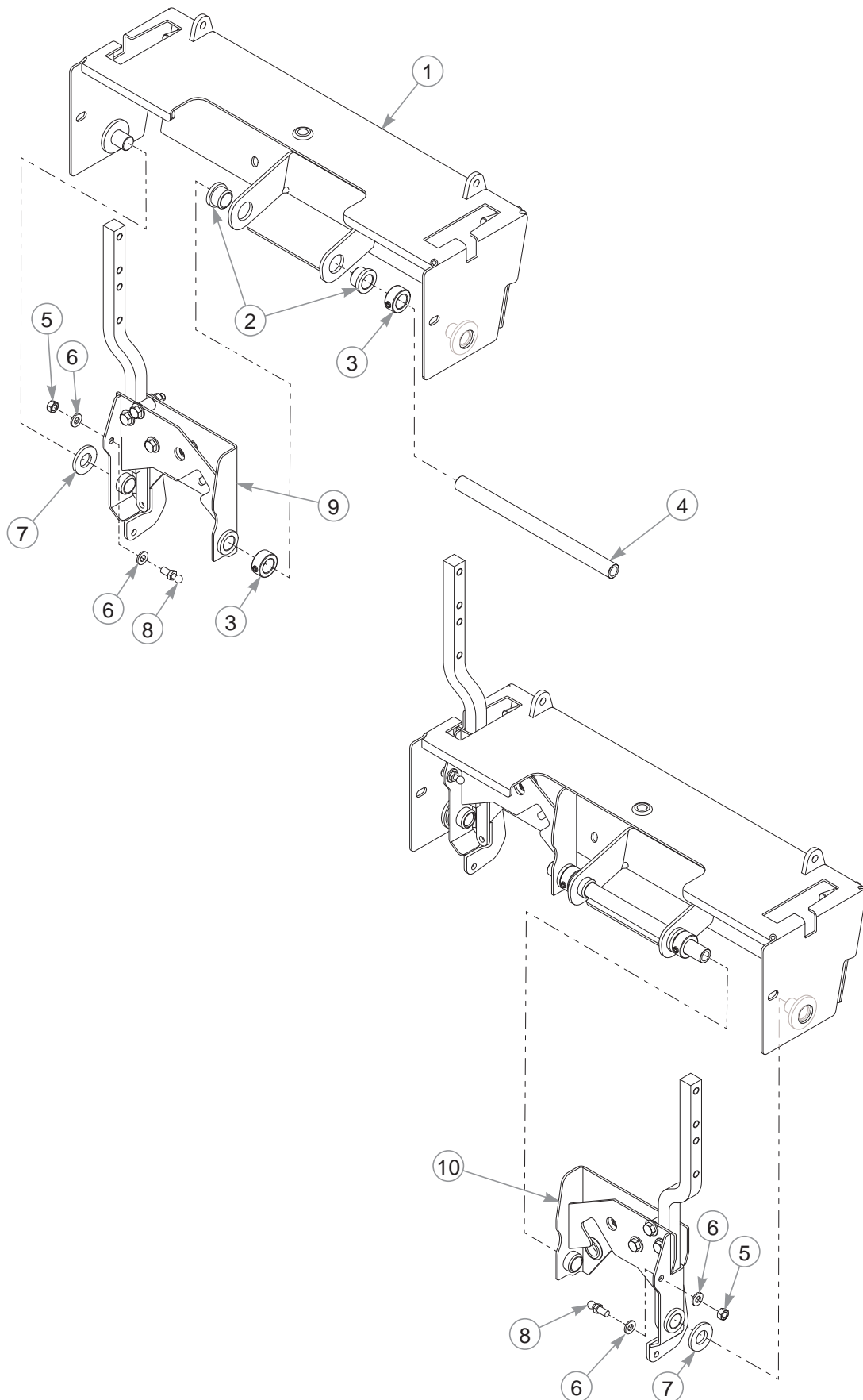
# **Steering**

INDEX NO.	PART NO.	QTY.	DESCRIPTION
1	N/A	1	STEERING ASSEMBLY
2	601087	2	SWITCH
3	795351	2	DAMPER
4	606521	2	PUMP ROD ASSEMBLY
5	605924	2	STEERING HANDLE (WITH GRIP)
	781260	2	GRIP
6	767954	16	FW .379 X .813 X .063
7	036244	4	CS .375-16 X 1.00 HX G5
8	055822	6	CS .375-16 X .75 HX G5
9	023655	4	NT .312-24 HX G5 NL
10	768523	10	FW .343 X .687 X .051/.080H
11	054502	6	NT .375-16 HX G5
12	781922	2	BALL STUD
13	029876	2	LW .325 INT-EXT TOOTH
14	016832	2	NT .312-18 HX FLK

---

## **NOTES:**

# Steering Cover



---

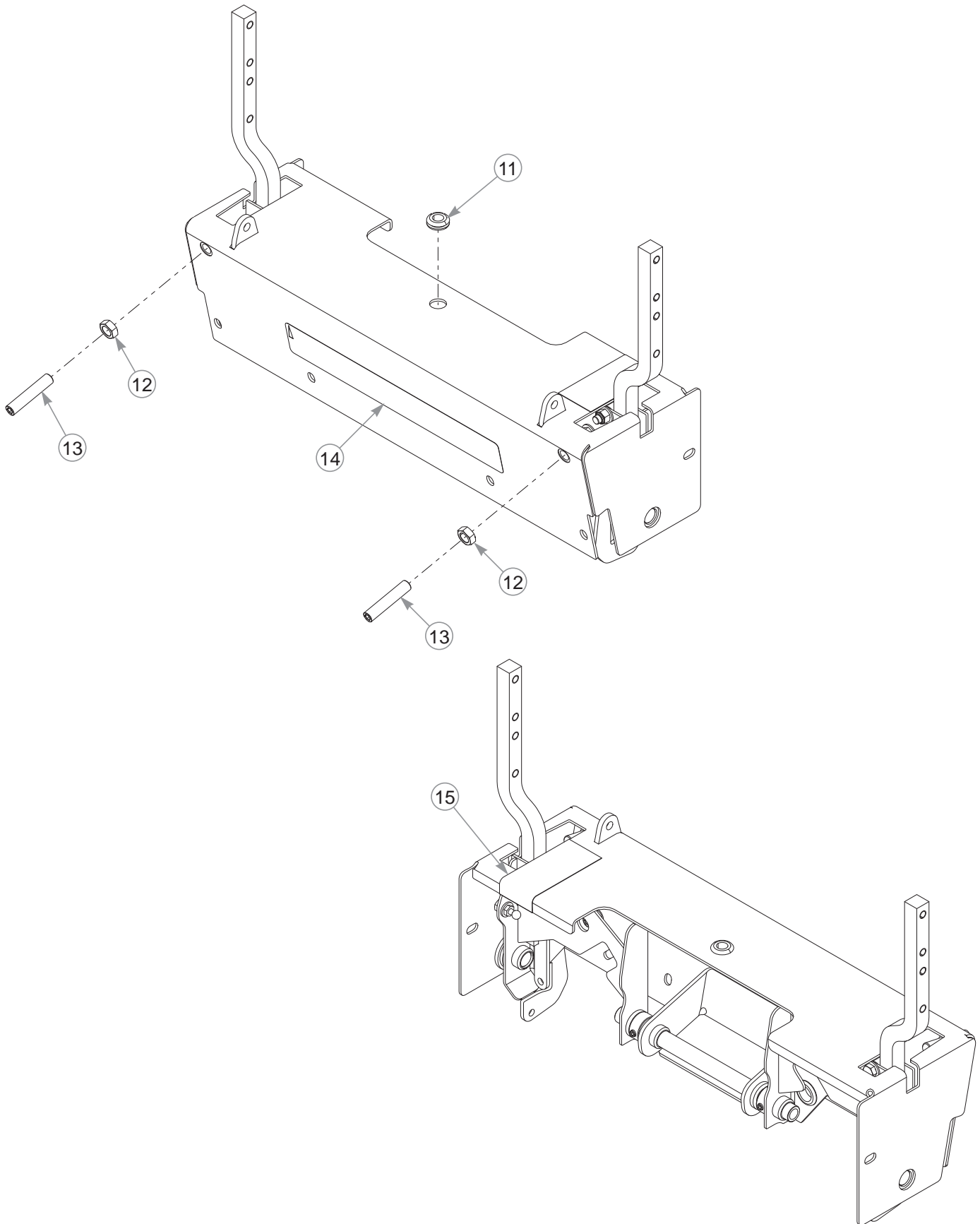
## **Steering Cover**

INDEX NO.	PART NO.	QTY.	DESCRIPTION
1	553839	1	STEERING COVER (WITH DECALS)
2	781153	2	BUSHING
3	784439	2	LOCK COLLAR .757 ID
4	113007	1	STEER PIVOT TUBE
5	034272	2	NT .312-18 HX G5
6	768523	4	FW .343 X .687 X .051/.080H
7	603078	2	FW .750 X 1.50 X .156 ZN
8	781922	2	BALL STUD
9	N/A	1	LS STEERING BOX ASSEMBLY
10	N/A	1	RS STEERING BOX ASSEMBLY

---

### **NOTES:**

# Steering Cover





---

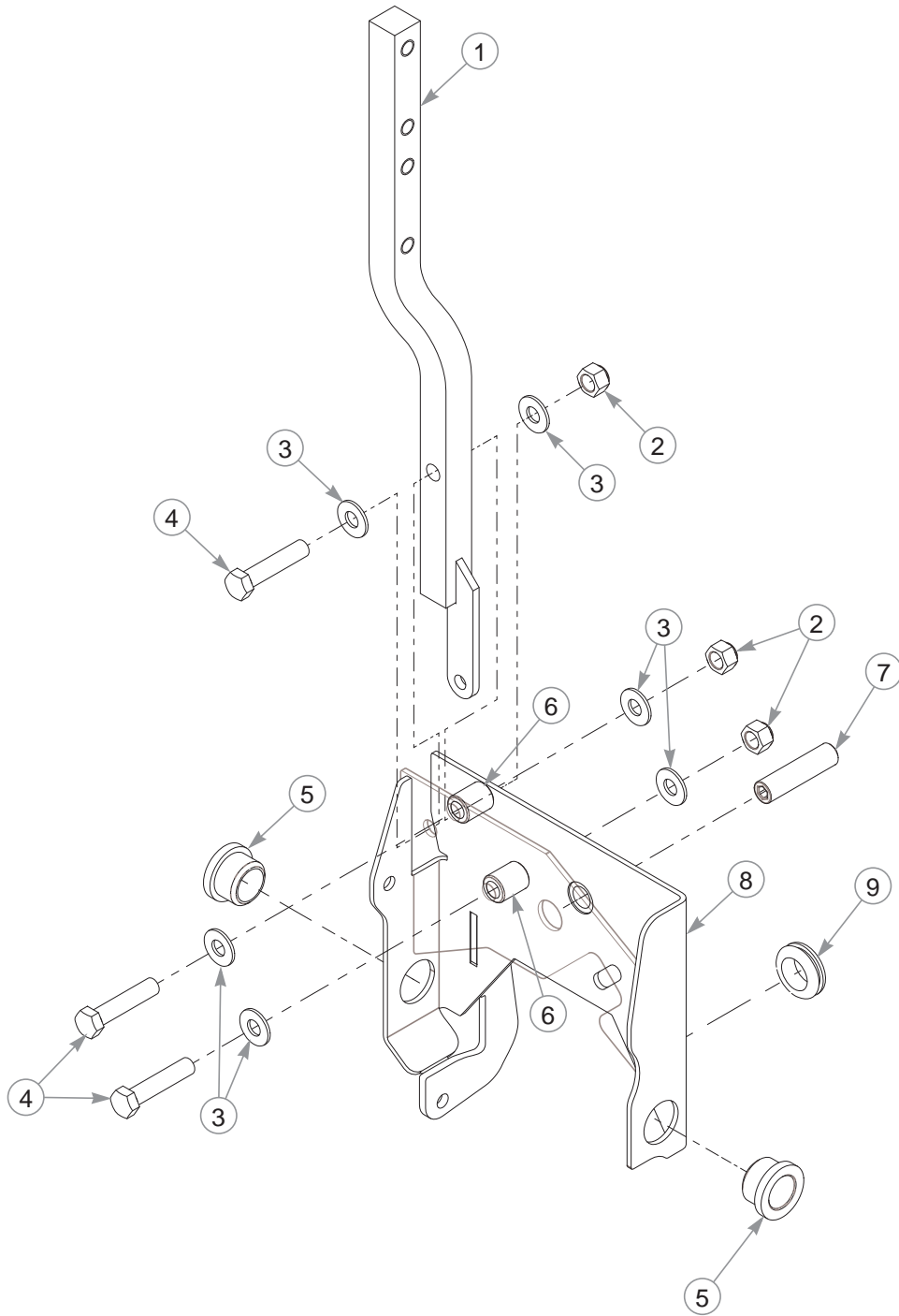
## **Steering Cover**

INDEX NO.	PART NO.	QTY.	DESCRIPTION
11	080358	1	GM .50 X 1.00 X .75 X .12
12	053199	2	NT .500-13 HX JAM ZNYC
13	603055	2	SS 1/2-13 X 2.50 SH ZNYC
14	605087	1	X-ONE LOGO DECAL
15	722199	5.5"	WEAR TAPE

---

### **NOTES:**

# LS Steering Box Assembly



---

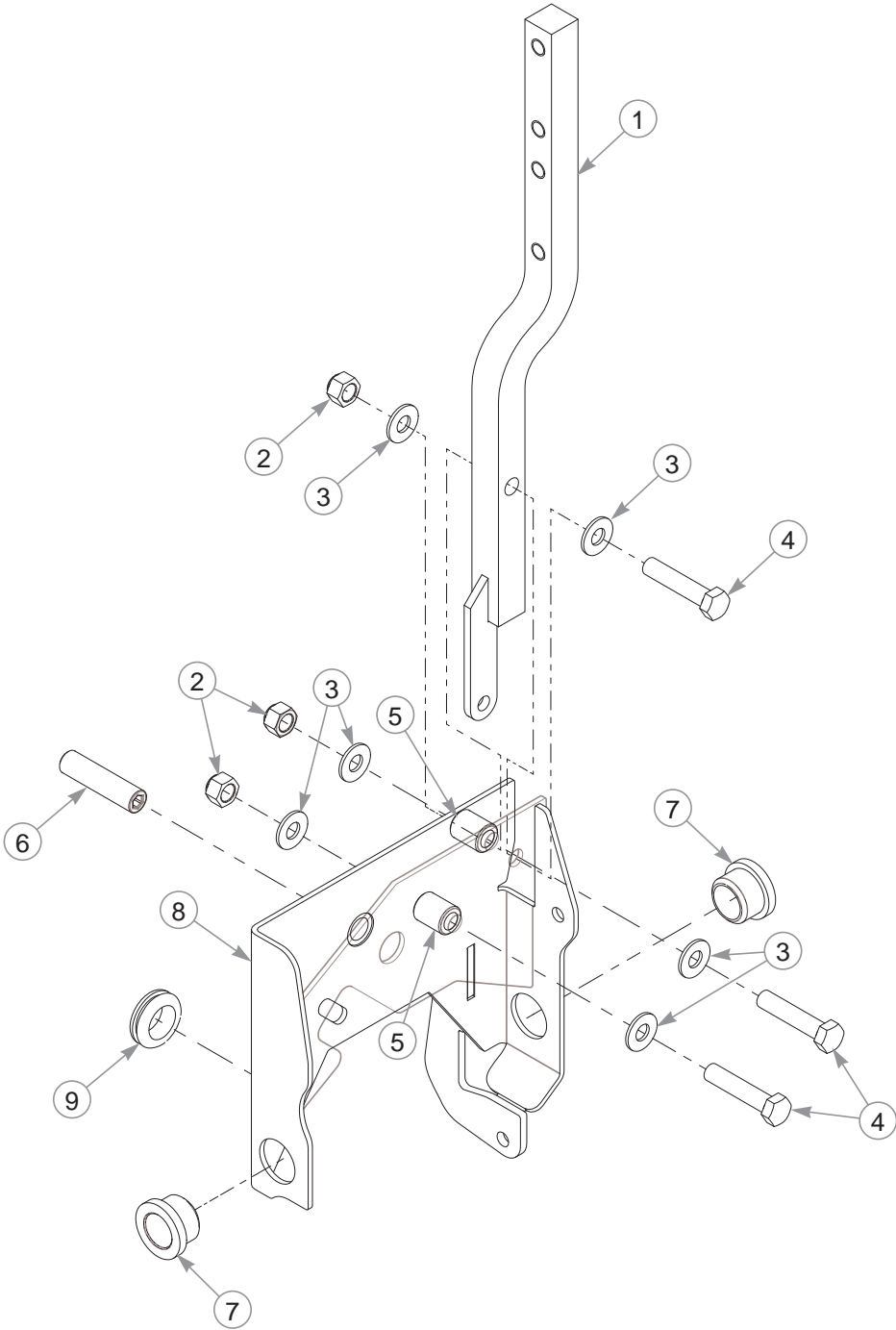
## **LS Steering Box Assembly**

<b>INDEX NO.</b>	<b>PART NO.</b>	<b>QTY.</b>	<b>DESCRIPTION</b>
1	113578	2	STEERING ARM
2	086660	3	NT .375-16 G5 NL
3	767954	6	FW .379 X .813 X .063
4	705178	3	CS .375-16 X 1.75 HX G5
5	781153	2	BUSHING
6	348862	2	STEERLEVER BUSHING
7	797738	1	SS .500-13 X 2.00 SH ZY
8	123305	1	LS STEERING BOX
9	047456	1	GM .750 X .188 X 1.00 X .12

---

### **NOTES:**

**RS Steering Box Assembly**



---

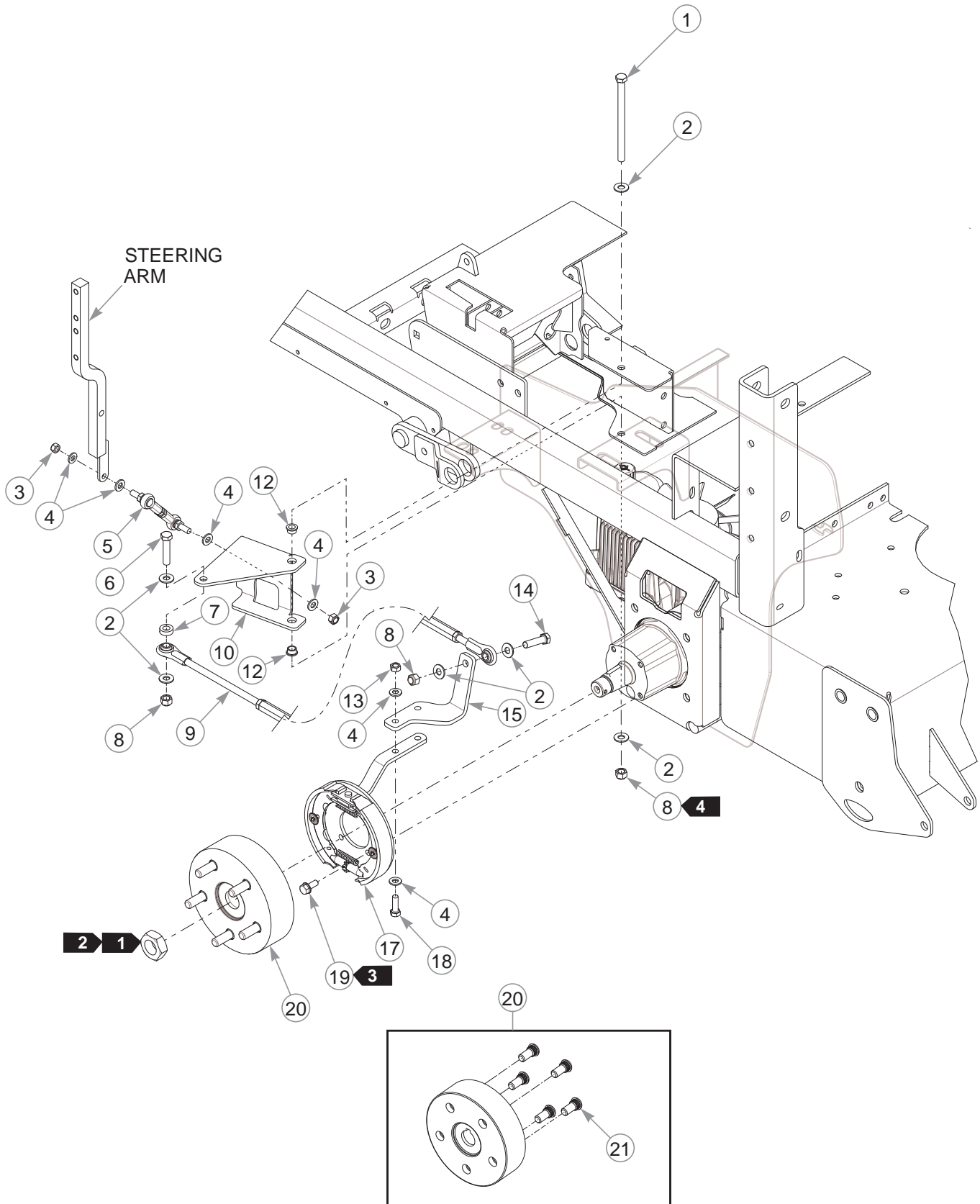
## **RS Steering Box Assembly**

INDEX NO.	PART NO.	QTY.	DESCRIPTION
1	113578	2	STEERING ARM
2	086660	3	NT .375-16 G5 NL
3	767954	6	FW .379 X .813 X .063
4	705178	3	CS .375-16 X 1.75 HX G5
5	781153	2	BUSHING
6	797738	1	SS .500-13 X 2.00 SH ZY
7	348862	2	STEERLEVER BUSHING
8	123305	1	LS STEERING BOX
9	047456	1	GM .750 X .188 X 1.00 X .12

---

### **NOTES:**

# Brake



---

# **Brake**

INDEX NO.	PART NO.	QTY.	DESCRIPTION
1	748913	2	CS .375-16 X 5.5 GR5 ZN
2	767954	12	FW .379 X .813 X .063
3	023655	4	NT .312-24 HX G5 NL
4	768523	16	FW .343 X .687 X .051/.080H
5	781583	2	BRAKE ROD ASSEMBLY
6	705178	2	CS .375-16 X 1.75 HX G5
7	073858	2	FW .406 X .75 X .25 ZNYC
8	086660	6	NT .375-16 HX G5 NL
9	350397	2	BRAKE LINK TURNBUCKLE
10	123435	1	LS BRAKE BELLCRANK
11	123434	1	RS BRAKE BELLCRANK (NOT SHOWN)
12	765339	4	BUSHING
13	034272	4	NT .312-18 HX G5
14	080655	2	CS .375-16 X 1.50 HX G5
15	123432	1	LS BRAKE ARM
16	123433	1	RS BRAKE ARM (NOT SHOWN)
17	602383	2	BRAKE ASSEMBLY
18	036236	4	CS .312-18 X 1.00 HX G5
19	604461	8	CS .312-18 X .75 HX G8 FLK
20	602384	2	HUB ASSEMBLY (WITH STUDS)
21	601085	10	STUD, WHEEL LUG 1/2-20

---

## **NOTES:**

1. Included with the wheel motor.
2. Torque to 200 ft-lbs.
3. Torque to 25–28 ft-lbs.
4. Do not torque; the nut should be snug but allow the brake bellcrank to pivot freely.



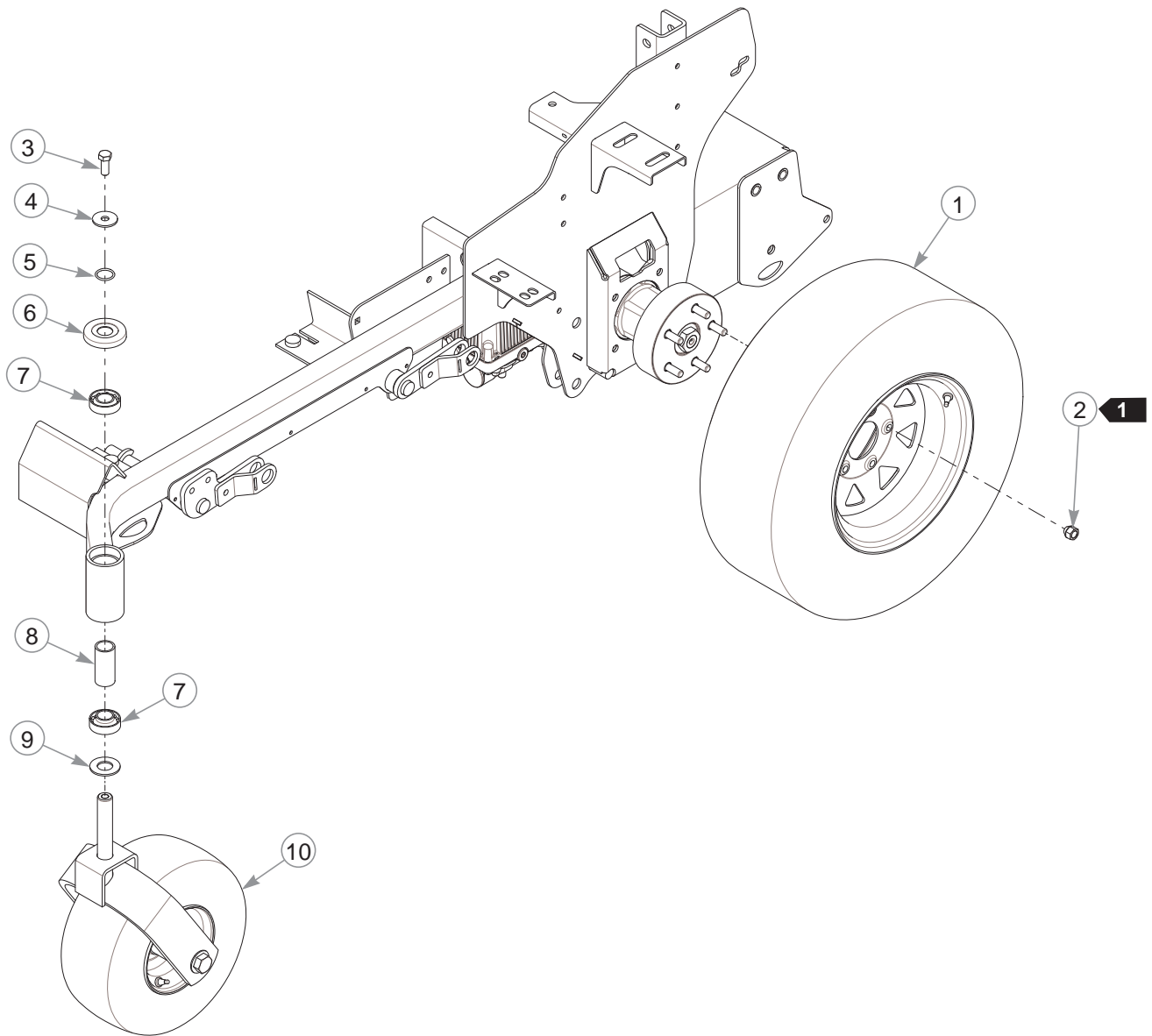


---

## Section 4

Wheel & Tire . . . . .	4-2
Front Tire Assembly . . . . .	4-4
Drive Wheel Breakdown . . . . .	4-6

# Wheel & Tire



---

## **Wheel & Tire**

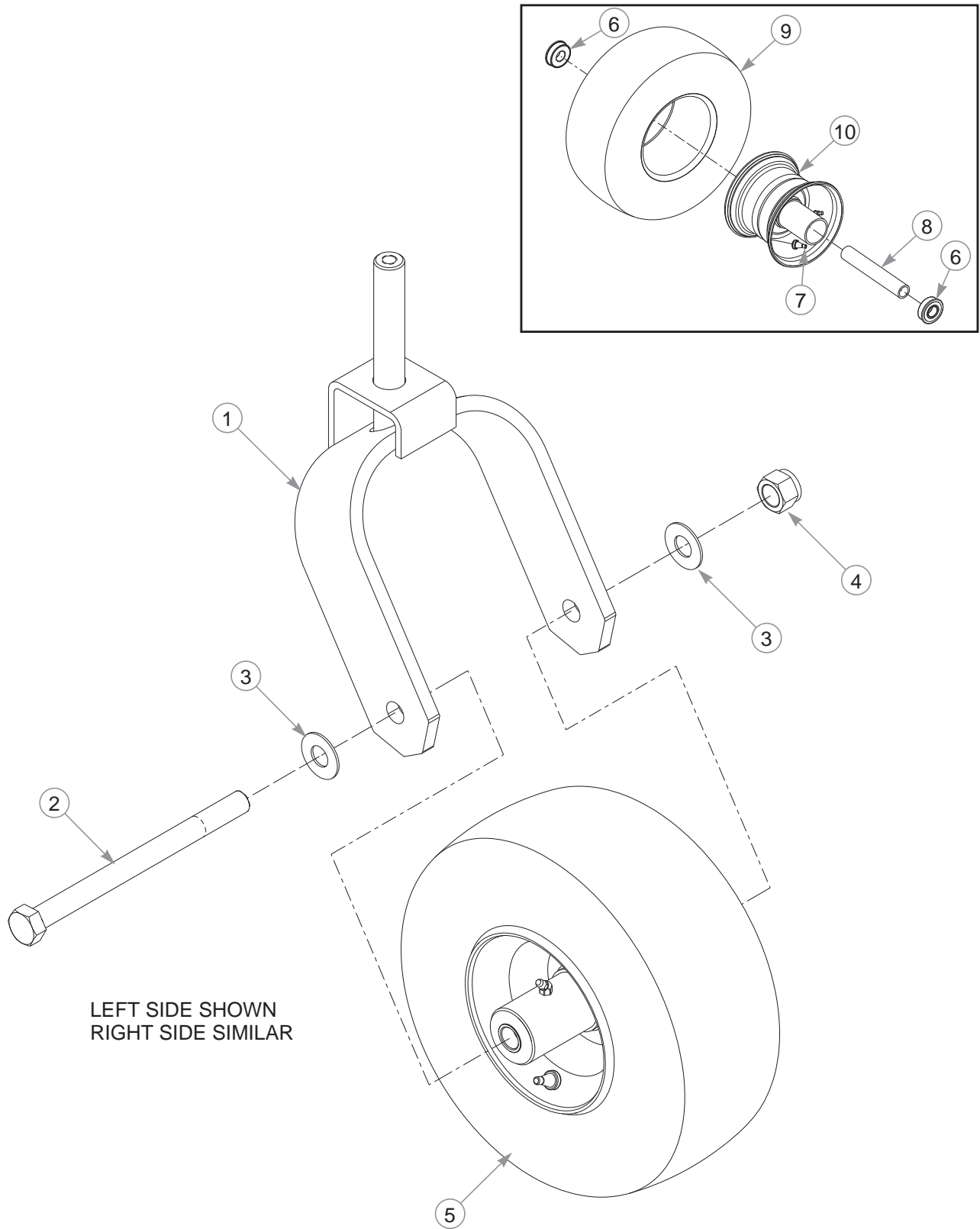
INDEX NO.	PART NO.	QTY.	DESCRIPTION
1	604106	2	TIRE/WHEEL ASSEMBLY 24 X 9.5-12 (52"/54" MOWERS)
	604108	2	TIRE/WHEEL ASSEMBLY 24 X 12-12 (60"/72" MOWERS)
2	061077	10	WHEEL NUT
3	705954	2	CS .500-13 X 1.25 HX G5
4	798603	2	FW .515 X 1.65 X .125 HD ZY
5	601375	2	O-RING, SAE-14
6	603153	2	DUST CAP
7	784223	4	BEARING
8	387035	2	SPACER 1.07 X 1.312 X 2.79
9	603164	2	DISC BEARING
10	N/A	1	FRONT TIRE ASSEMBLY

---

### **NOTES:**

1. Torque to 65–75 ft-lbs.

# Front Tire Assembly



---

## **Front Tire Assembly**

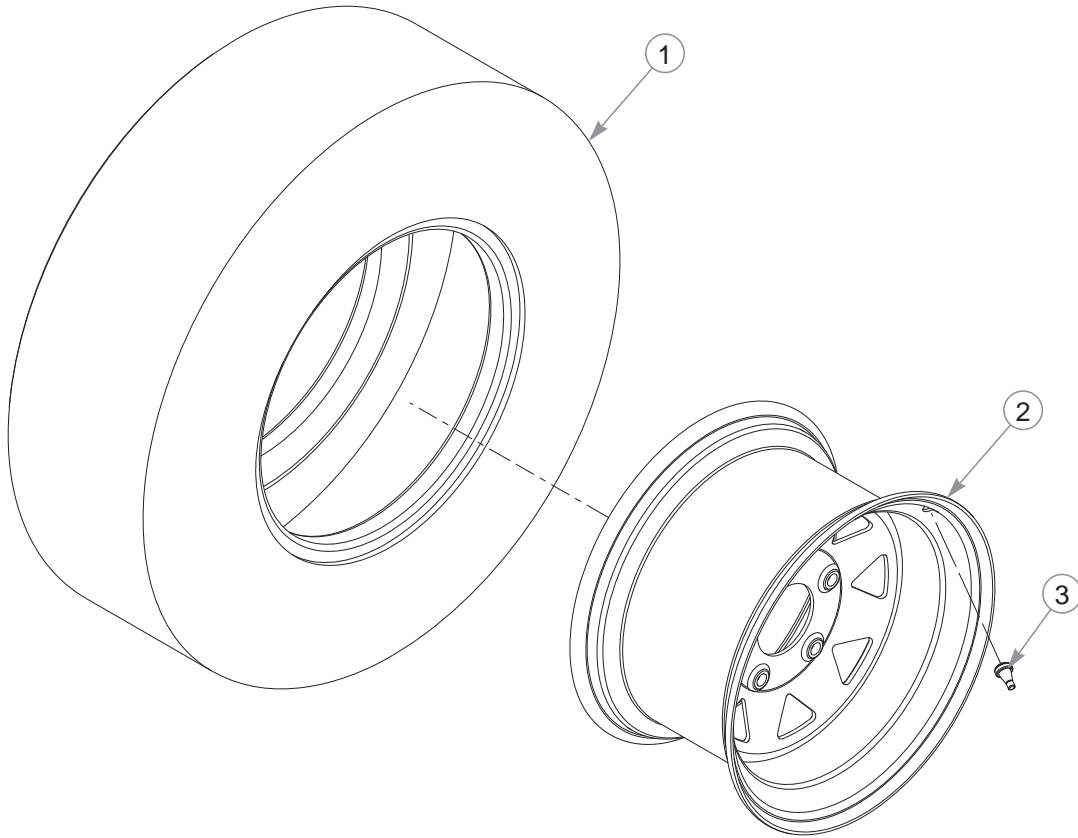
INDEX NO.	PART NO.	QTY.	DESCRIPTION
1	113621	1	FORK
2	041475	1	CS .750-10 X 9.50 HX ZY
3	025296	2	FW .760 X 1.625 X .08 ZNYC
4	061101	1	NT .750-10 HX ZY NL
5	604898	1	TIRE/WHEEL ASSEMBLY 13 X 6.50
6	039677	2	BEARING
7	019521	1	TIRE VALVE
8	782771	1	BEARING SPACER
9	604843	1	TIRE, 13 X 6.50-6
10	747832	1	WHEEL 6 X 4.5

---

### **NOTES:**

---

## Drive Wheel Breakdown



---

### 604106 TIRE/WHEEL ASSEMBLY (52"/54" MOWERS)

INDEX NO.	PART NO.	QTY.	DESCRIPTION
1	782284	1	TIRE 24 X 9.50-12
2	604107	1	WHEEL
3	019521	1	VALVE STEM

### 604108 TIRE/WHEEL ASSEMBLY (60"/72" MOWERS)

INDEX NO.	PART NO.	QTY.	DESCRIPTION
1	781245	1	TIRE 24 X 12-12
2	604109	1	WHEEL
3	019521	1	VALVE STEM

---

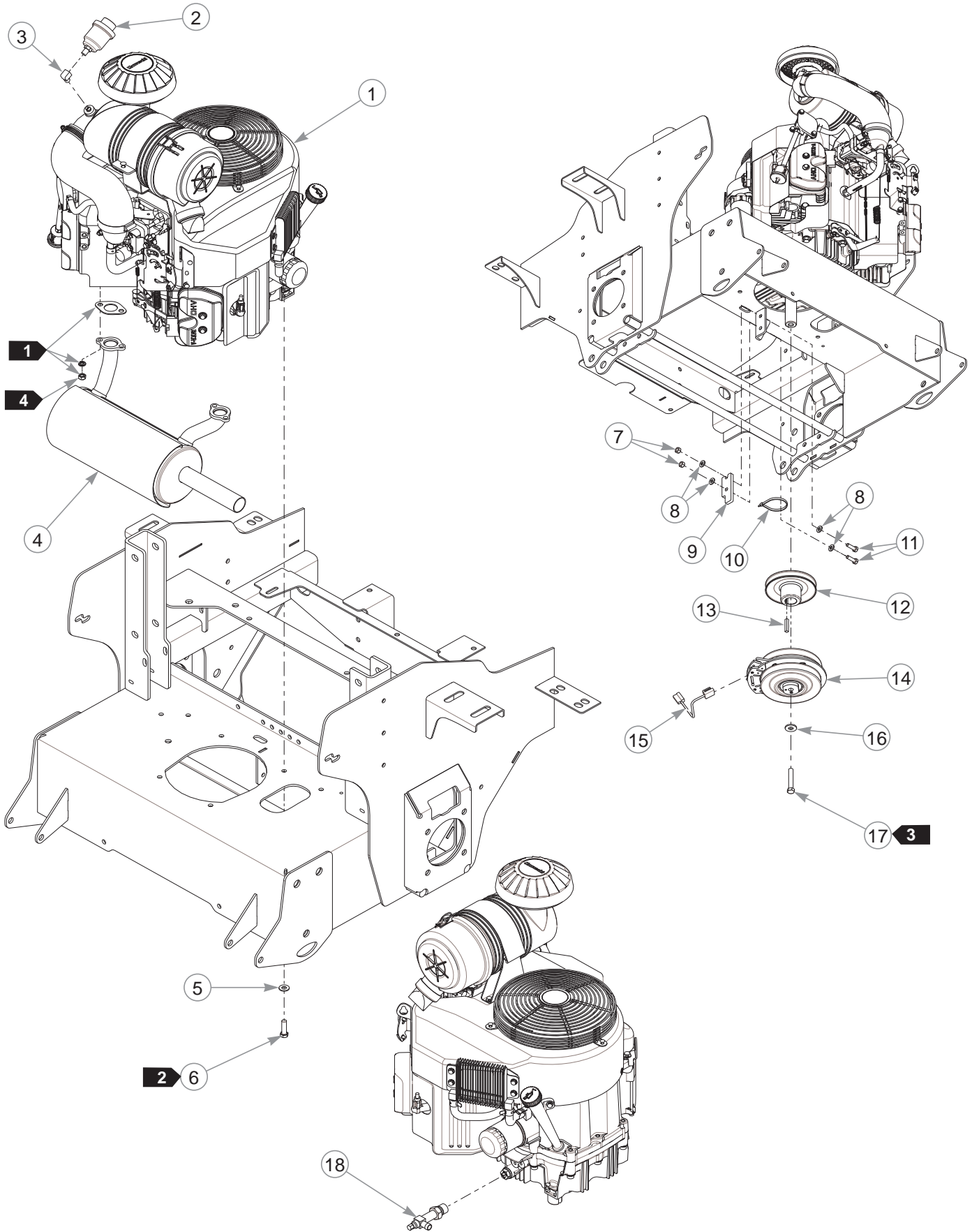
### NOTES:

---

## Section 5

Engine . . . . .	5-2
Engine Service Parts . . . . .	5-6
Fuel System . . . . .	5-8
Fuel Tank Service Parts . . . . .	5-11

# Engine





---

# **Engine**

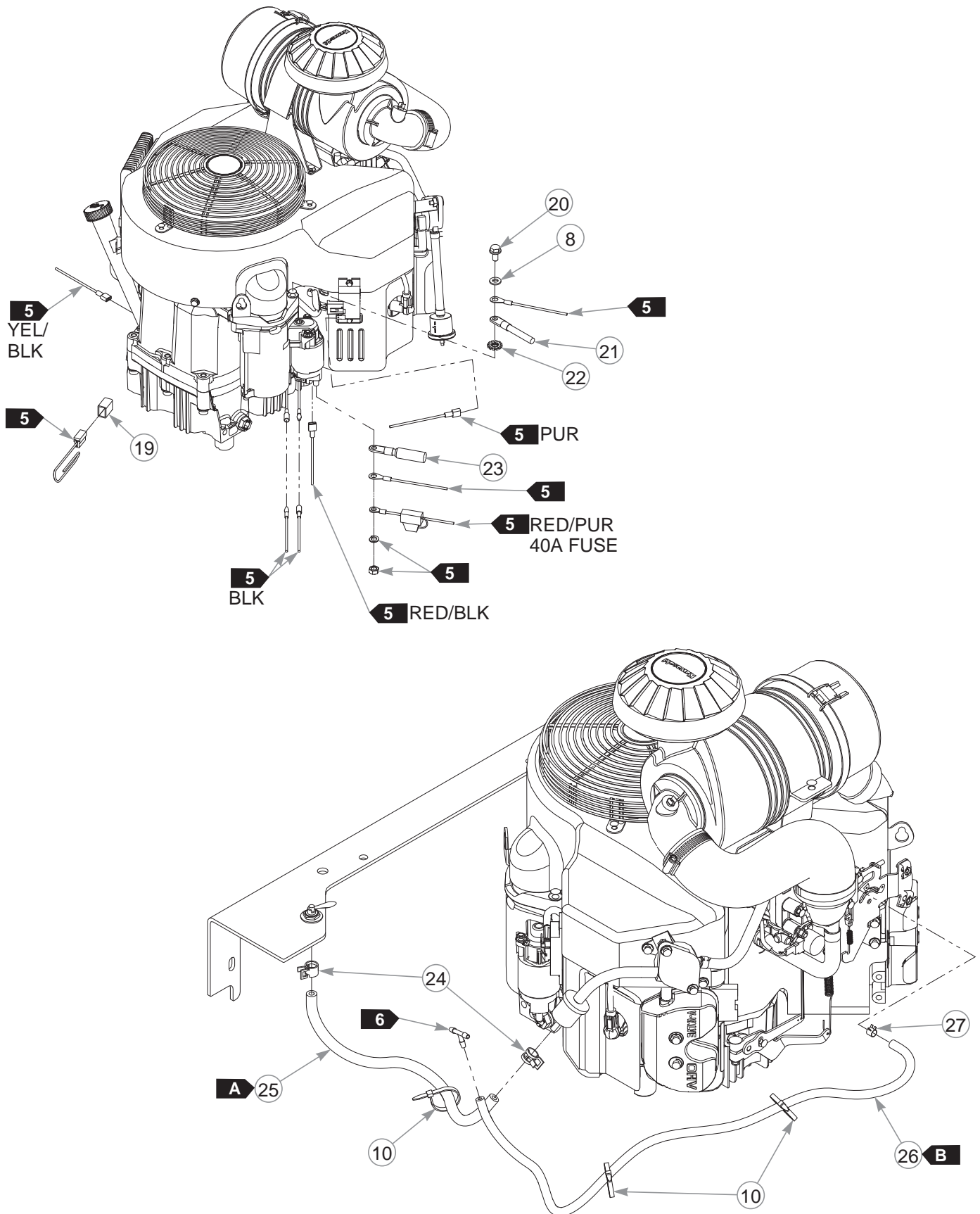
INDEX NO.	PART NO.	QTY.	DESCRIPTION
1	N/A	1	KAWASAKI FX850V ENGINE
2	788943	1	AIR FILTER INDICATOR
3	601216	1	ELBOW STREET FITTING
4	603012	1	MUFFLER
5	767954	4	FW .379 X .813 X .063
6	602580	4	CS .375-16 X 1.25 HX G8 P85
7	034272	2	NT .312-18 HX G5
8	768523	5	FW .343 X .687 X .051/.080H
9	113946	1	CLUTCH ANCHOR
10	000331	4	WIRE TIE
11	036236	2	CS .312-18 X 1.00 HX G5
12	606471	1	ENGINE PULLEY
13	212076	1	KEY 1/4 SQ X 1.50 LG
14	606404K	1	CLUTCH KIT
15	791251	1	CLUTCH HARNESS PIGTAIL
16	602680	1	FW .453 X 1.12 X .119 HRD
17	785659	1	CS .437-20 X 2.50 HX G5 P85
18	796524	1	OIL DRAIN VALVE

---

## **NOTES:**

1. Supplied with the engine.
2. Torque to 30 ft-lbs. Replace (do not reuse) the cap screw if it is removed or loosened. Use only hand tools to install this fastener.
3. Torque to 45–48 ft-lbs. Replace (do not reuse) the cap screw if it is removed or loosened.
4. Torque to 22 ft-lbs.

# Engine



---

# **Engine**

INDEX NO.	PART NO.	QTY.	DESCRIPTION
19	789131	1	FAN CAP
20	720516	1	CS M8 X 1.25 X 16 HX FL 10.9
21	796219	1	NEGATIVE BATTERY CABLE
22	029876	1	LW .325 INT-EXT TOOTH
23	744276	1	POSITIVE BATTERY CABLE
24	000323	2	HOSE CLAMP
25	015818	16.5"	1/4" FUEL LINE
26	603326	32"	3/16" VAPOR LINE
27	603112	1	3/16" HOSE CLAMP

---

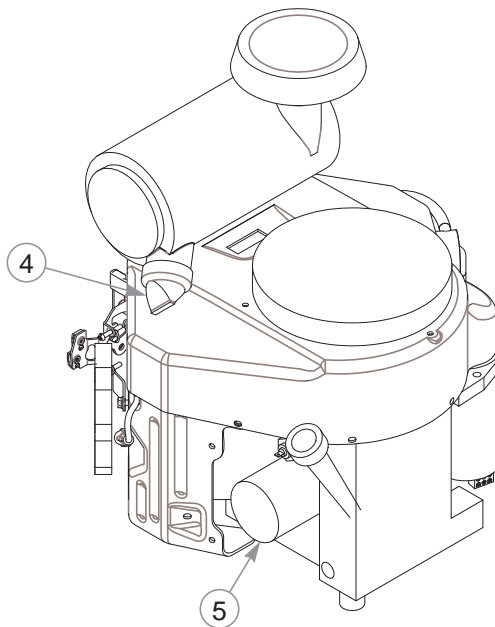
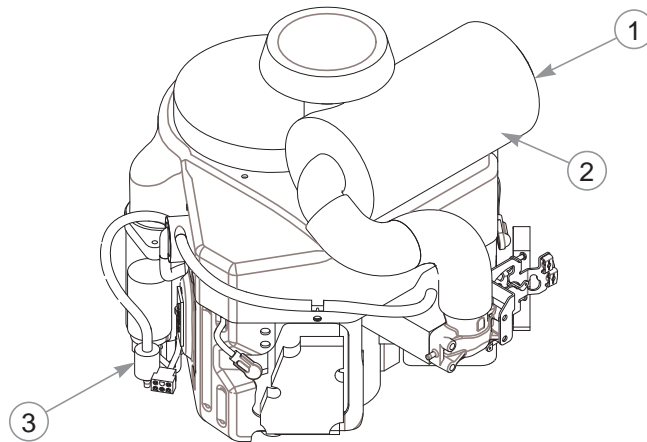
## **NOTES:**

<b>FUEL &amp; VAPOR LINE LENGTHS</b>		
<b>A</b>	16.5"	VALVE TO ENGINE (FUEL)
<b>B</b>	32"	TEE TO ENGINE (VAPOR)

- 5. Part of the wire harness.
- 6. Part of the Fuel Assembly.

---

## **Engine Service Parts**



---

INDEX NO.	PART NO.	QTY.	DESCRIPTION
1	785261	1	AIR CLEANER ELEMENT
2	785279	1	SAFETY AIR FILTER ELEMENT
3	068478	1	IN-LINE FUEL FILTER
4	763318	1	VACUATOR VALVE
5	602581	1	OIL FILTER (FX730V)
	603138	1	OIL FILTER (FX850V)

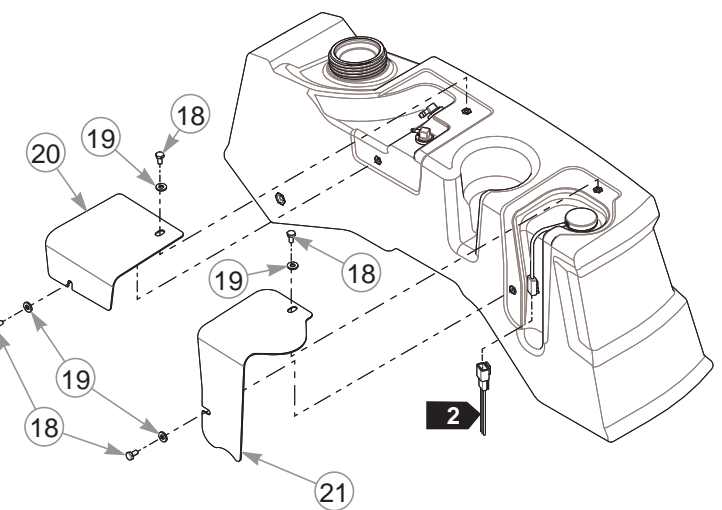
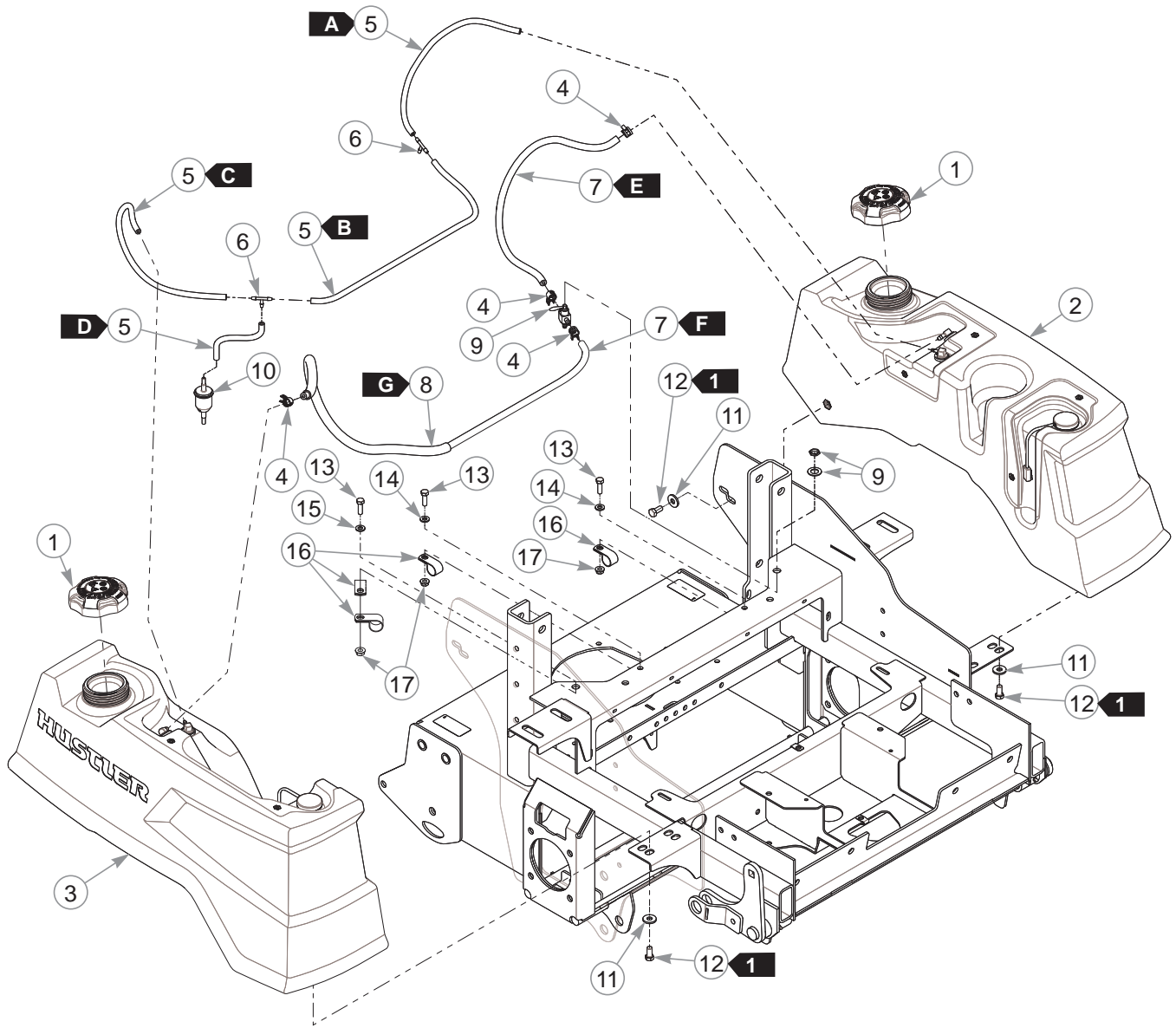
---

### **NOTES:**

---

**This page intentionally left blank.**

# Fuel System



# Fuel System

INDEX NO.	PART NO.	QTY.	DESCRIPTION
1	603807	2	RATCHETING GAS CAP, 3.5"
2	606434	1	LS FUEL TANK
3	606433	1	RS FUEL TANK
4	000323	4	HOSE CLAMP
5	603326	71.5"	3/16" VAPOR LINE
6	604281	2	3/16" PLASTIC TEE
7	015818	67"	1/4" FUEL LINE
8	605215	27"	FUEL LINE THERMAL SHIELD
9	745059	1	FUEL VALVE 3-WAY
10	604323	1	VAPOR SYSTEM FILTER
11	712919	10	FW .406 X 1.00 X .12 HRD Z
12	055822	10	CS .375-16 X .75 HX G5
13	036236	3	CS .312-18 X 1.00 HX G5
14	768523	2	FW .343 X .687 X .051/.080H
15	767954	1	FW .379 X .813 X .063
16	043570	4	LOOP CLAMP
17	016832	3	NT .312-18 HX FLK
18	055947	4	CS .250-20 X .50 HX G5
19	768515	4	FW .281 X .625 X .066
20	123182	1	TANK COVER
21	123181	1	TANK COVER
22	000331	2	WIRE TIE (NOT SHOWN)

## NOTES:

FUEL & VAPOR LINE LENGTHS		
<b>A</b>	19"	LEFT TANK TO TEE (VAPOR)
<b>B</b>	24"	TEE TO TEE (VAPOR)
<b>C</b>	22"	RIGHT TANK TO TEE (VAPOR)
<b>D</b>	6.5"	TEE TO FILTER (VAPOR)
<b>E</b>	23"	LEFT TANK TO VALVE (FUEL)
<b>F</b>	44"	RIGHT TANK TO VALVE (FUEL)
<b>G</b>	27"	FUEL LINE THERMAL SHIELD

1. Torque to 16 ft-lbs.
2. Part of the wire harness.

INDEX NO.	PART NO.	QTY.	DESCRIPTION
-----------	----------	------	-------------

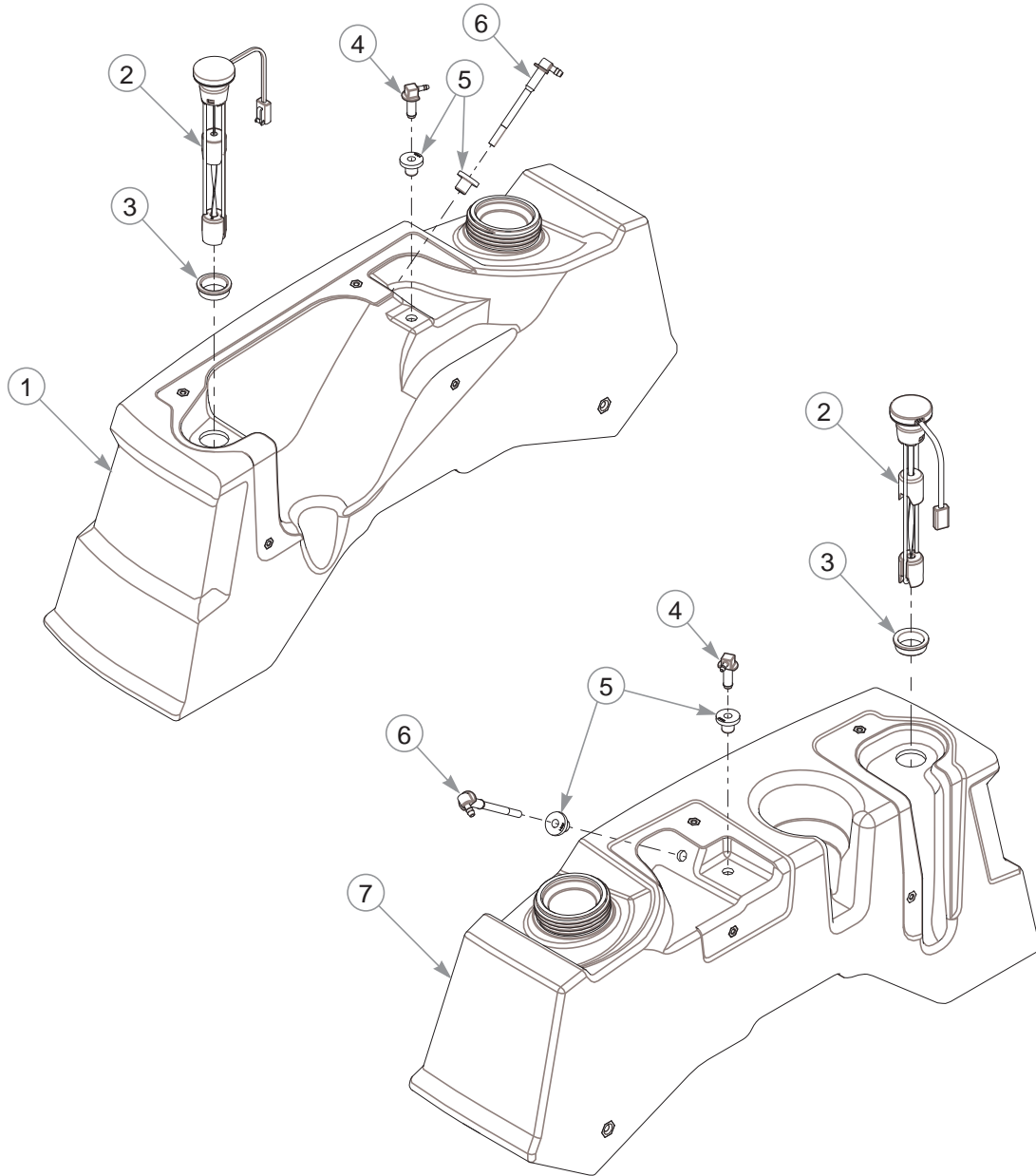
1	603807	2	RATCHETING GAS CAP, 3.5"
2	606434	1	LS FUEL TANK
3	606433	1	RS FUEL TANK
4	000323	4	HOSE CLAMP
5	605215	65"	FUEL LINE THERMAL SHIELD
6	015818	67"	1/4" FUEL LINE
7	745059	1	FUEL VALVE 3-WAY
8	036236	3	CS .312-18 X 1.00 HX G5
9	768523	10	FW .343 X .687 X .051/.080H
10	767954	1	FW .379 X .0813 X .063
11	043570	4	LOOP CLAMP
12	016832	7	NT .312-18 HX FLK
13	712919	10	FW .406 X 1.00 X .12 HRD Z
14	055822	10	CS .375-16 X .75 HX G5
15	055947	4	CS .250-20 X .50 HX G5
16	768515	4	FW .281 X .625 X .066
17	123182	1	FUEL LINES COVER
18	123181	1	FUEL SENDER COVER
19	000331	5	WIRE TIE

FUEL LINE LENGTHS		
	23"	LS TANK TO VALVE (FUEL)
	44"	RS TANK TO VALVE (FUEL)
	22"	LS TANK TO VALVE (FUEL LINE THERMAL SHIELD)
	43"	RS TANK TO VALVE (FUEL LINE THERMAL SHIELD)

VAPOR LINE LENGTHS		
	14"	RIGHT CARBON CANISTER TO TEE
	29"	RIGHT TANK TO CARBON CANISTER
	21"	LEFT CARBON CANISTER TO TEE
	32"	LEFT TANK TO CARBON CANISTER



# Fuel Tank Service Parts



INDEX NO.	PART NO.	QTY.	DESCRIPTION
1	606433	1	RS FUEL TANK
2	603888	2	FUEL GAUGE
3	605648	2	FUEL GROMMET
4	604287	2	VENT FITTING
5	604200	4	GROMMET
6	605159	2	SUCTION HOSE ASSY 19.5"
7	606434	1	LS FUEL TANK

## NOTES:

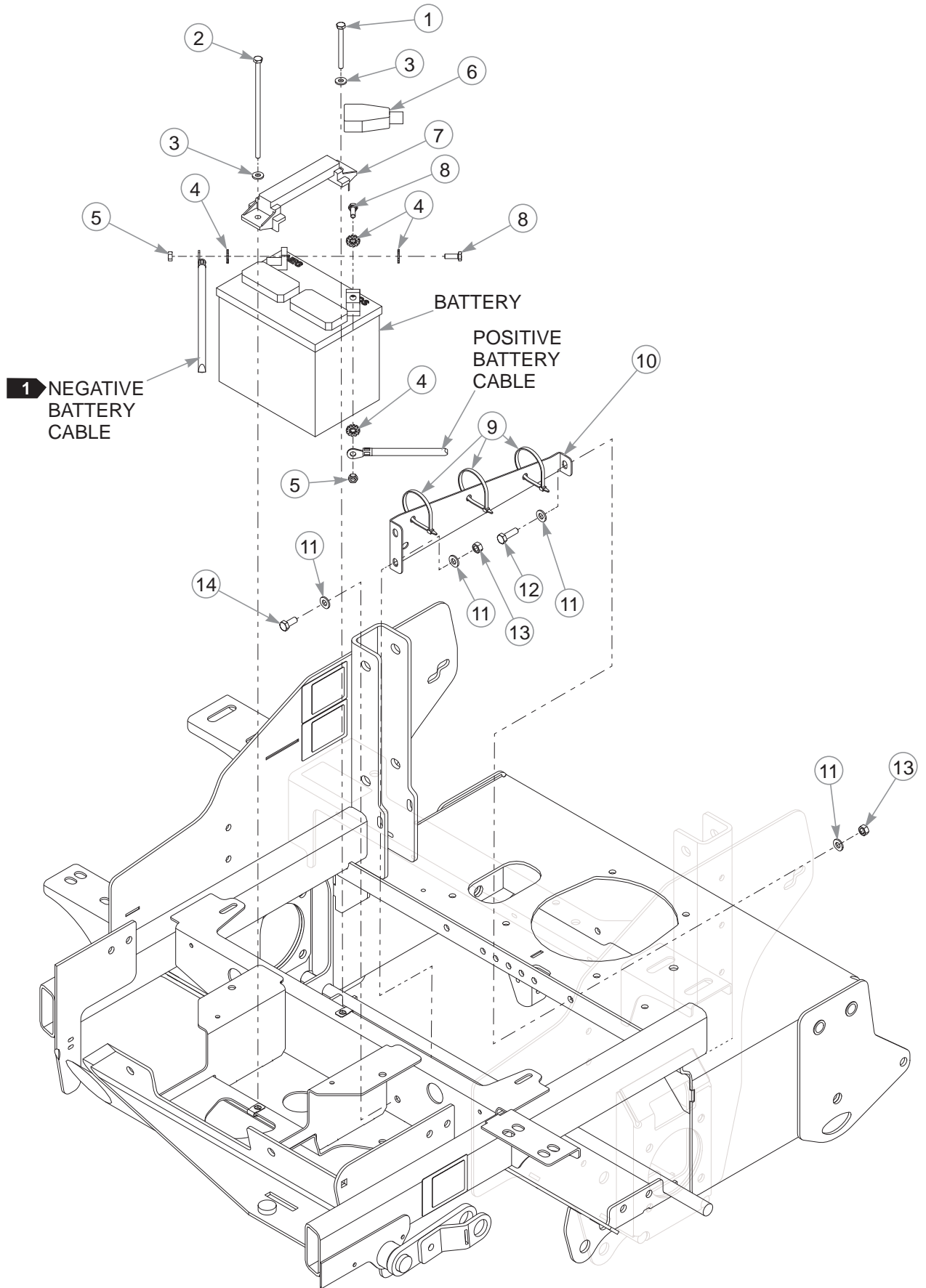
---

---

## Section 6

Battery . . . . .	6-2
Instrument Panel . . . . .	6-4

# Battery



---

# **Battery**

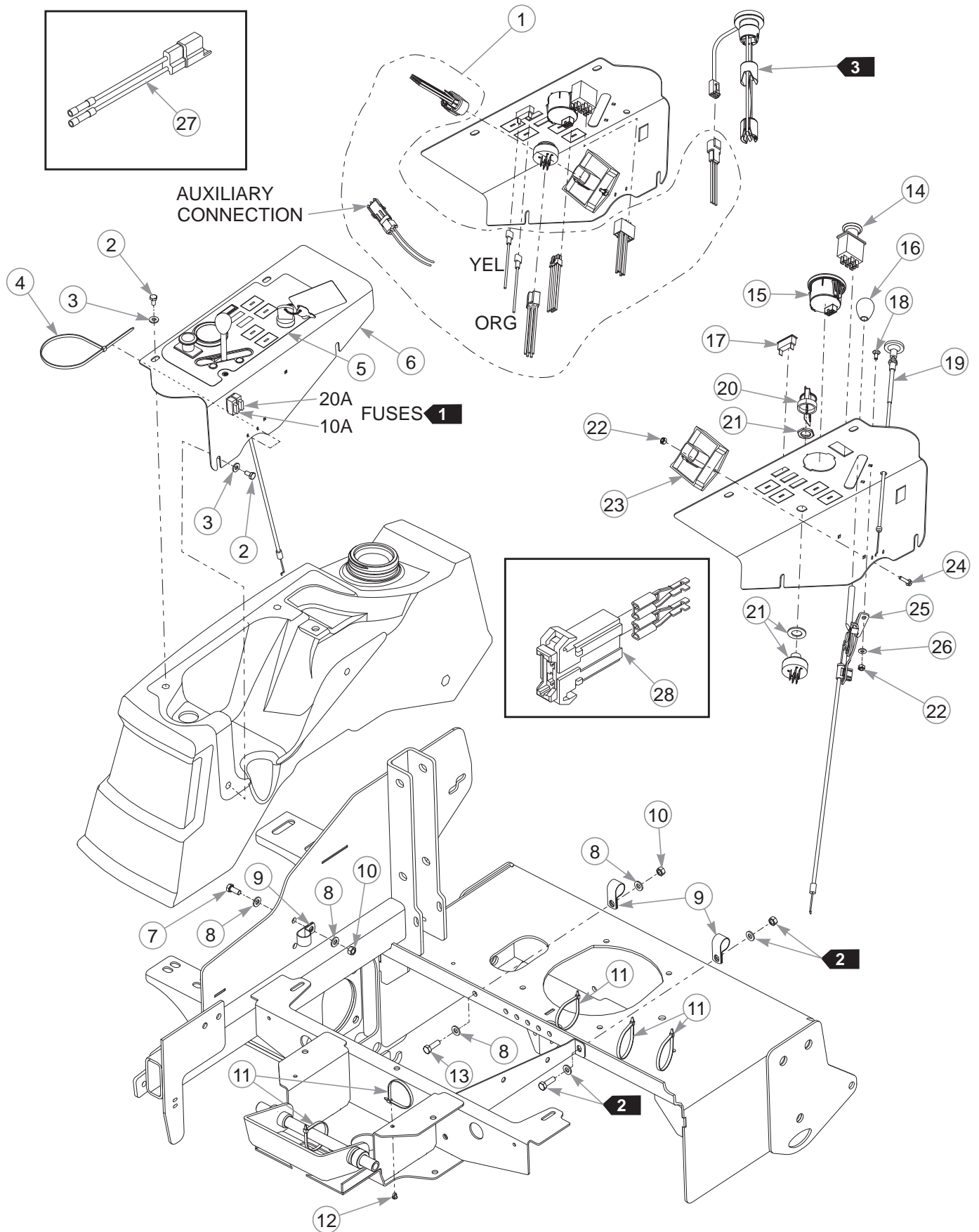
INDEX NO.	PART NO.	QTY.	DESCRIPTION
1	794156	1	CS .250-20 X 2.75 HX G5
2	601930	1	CS .250-20 X 6.50 HX G5
3	768515	2	FW .281 X .625 X .066
4	029868	4	LW .250 INT-EXT TOOTH Z
5	024927	2	NT .250-20 HX G5
6	771428	1	RED BATTERY CABLE BOOT
7	604178	1	TIE DOWN STRAP
8	055939	2	CS .250-20 X .75 HX G5
9	000331	4	WIRE TIE
10	123179	1	CABLE SUPPORT
11	768523	6	FW .343 X .687 X .051/.080H
12	036236	1	CS .312-18 X 1.00 HX G5
13	034272	3	NT .312-18 HX G5
14	034280	2	CS .312-18 X .75 HX G5

---

## **NOTES:**

1. Do not connect the negative battery cable to the battery until ready to start the engine.

# Instrument Panel



---

## **Instrument Panel**

INDEX NO.	PART NO.	QTY.	DESCRIPTION
1	604241	1	WIRE HARNESS
2	055947	4	CS .250-20 X .50 HX G5
3	768515	4	FW .281 X .625 X .066
4	000430	1	WIRE TIE
5	606466	1	INSTRUMENT PANEL DECAL
6	553845	1	INSTRUMENT PANEL (WITH DECAL)
7	034280	1	CS .312-18 X .75 HX G5
8	768523	4	FW .343 X .687 X .051/.080H
9	043570	3	LOOP CLAMP
10	034272	2	NT .312-18 HX G5
11	000331	5	WIRE TIE
12	604307	1	PUSH BUTTON MOUNT
13	036236	1	CS .312-18 X 1.00 HX G5
14	776476	1	PTO SWITCH
15	606068	1	FUEL DISPLAY/HOUR METER
16	603523	1	KNOB
17	712257	1	RED INDICATOR LIGHT
18	601098	2	CB 10-24 X .500 ZYNC
19	786657	1	CHOKE CABLE
20	785808	1	KEY ASSEMBLY
21	045898	1	IGNITION SWITCH
22	059832	4	NT #10-24 HX NL ZN
23	604373	1	RELAY CONTROL MODULE
24	063198	2	CS 10-24 X .75 HX FLK ZN
25	603475	1	THROTTLE CABLE
26	704932	2	FW .219 X .50 X .048
27	114052	1	CLUTCH CONNECTOR REPAIR KIT
28	601047	1	FUSE HOLDER

---

### **NOTES:**

1. Part of the wire harness.
2. Part of the Battery Assembly.
3. Part of the Fuel Assembly.

---

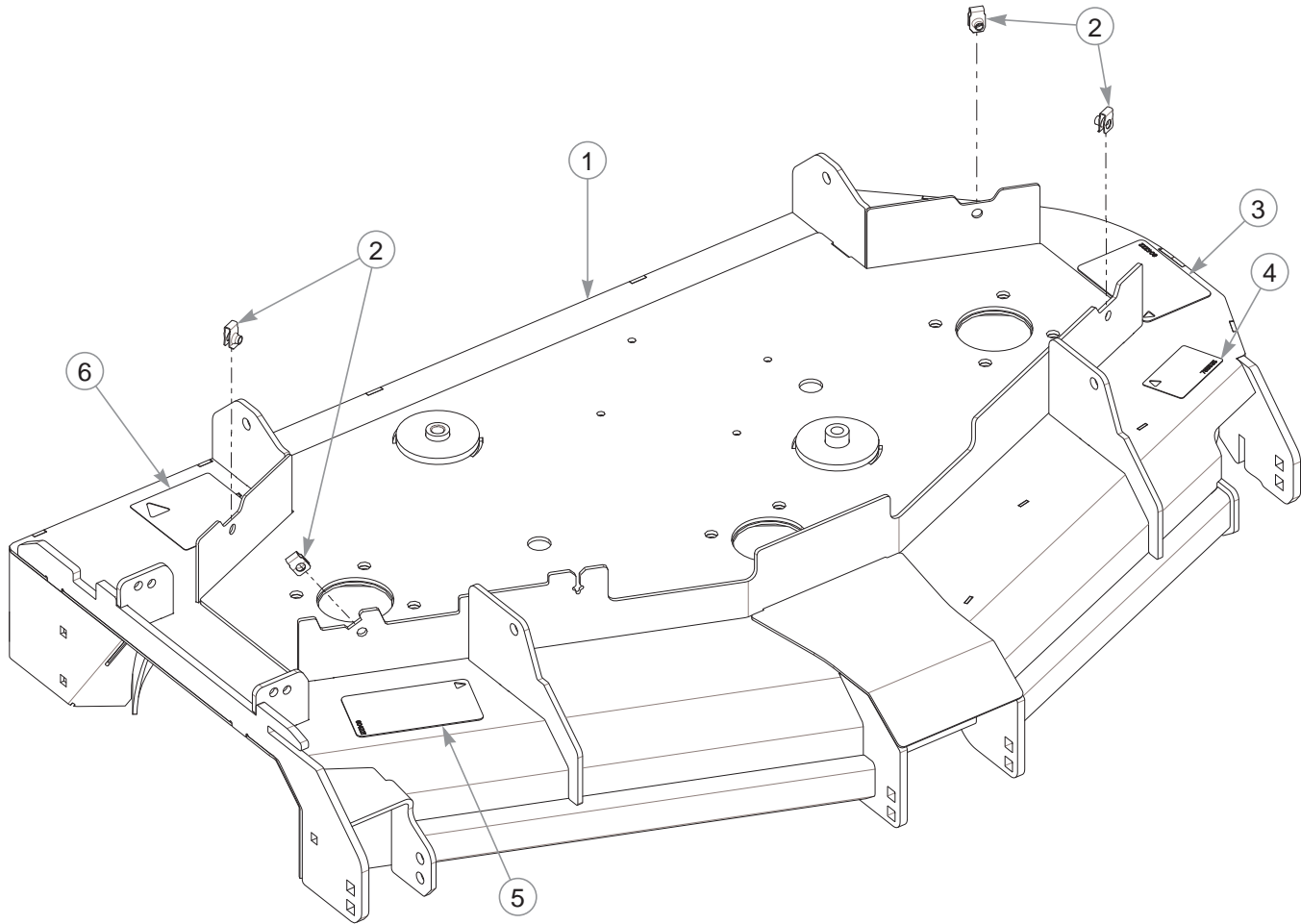


---

## Section 7

52" Service Deck . . . . .	7-2
52" Deck Pulleys & Spindles . . . . .	7-4
52" Deck . . . . .	7-6
54" Service Deck . . . . .	7-10
54" Deck Pulleys & Spindles . . . . .	7-12
54" Deck . . . . .	7-14
60" Service Deck . . . . .	7-18
60" Deck Pulleys & Spindles . . . . .	7-20
60" Deck . . . . .	7-22
60" Rear Discharge Service Deck . . . . .	7-26
60" Rear Discharge Deck Pulleys & Spindles . . . . .	7-28
60" Rear Discharge Deck . . . . .	7-30
54"/60" Rear Discharge Deck Dust Shield. . . . .	7-34
72" Service Deck . . . . .	7-36
72" Deck Pulleys & Spindles . . . . .	7-38
72" Deck . . . . .	7-40
Deck Lift. . . . .	7-44

# **52" Service Deck**



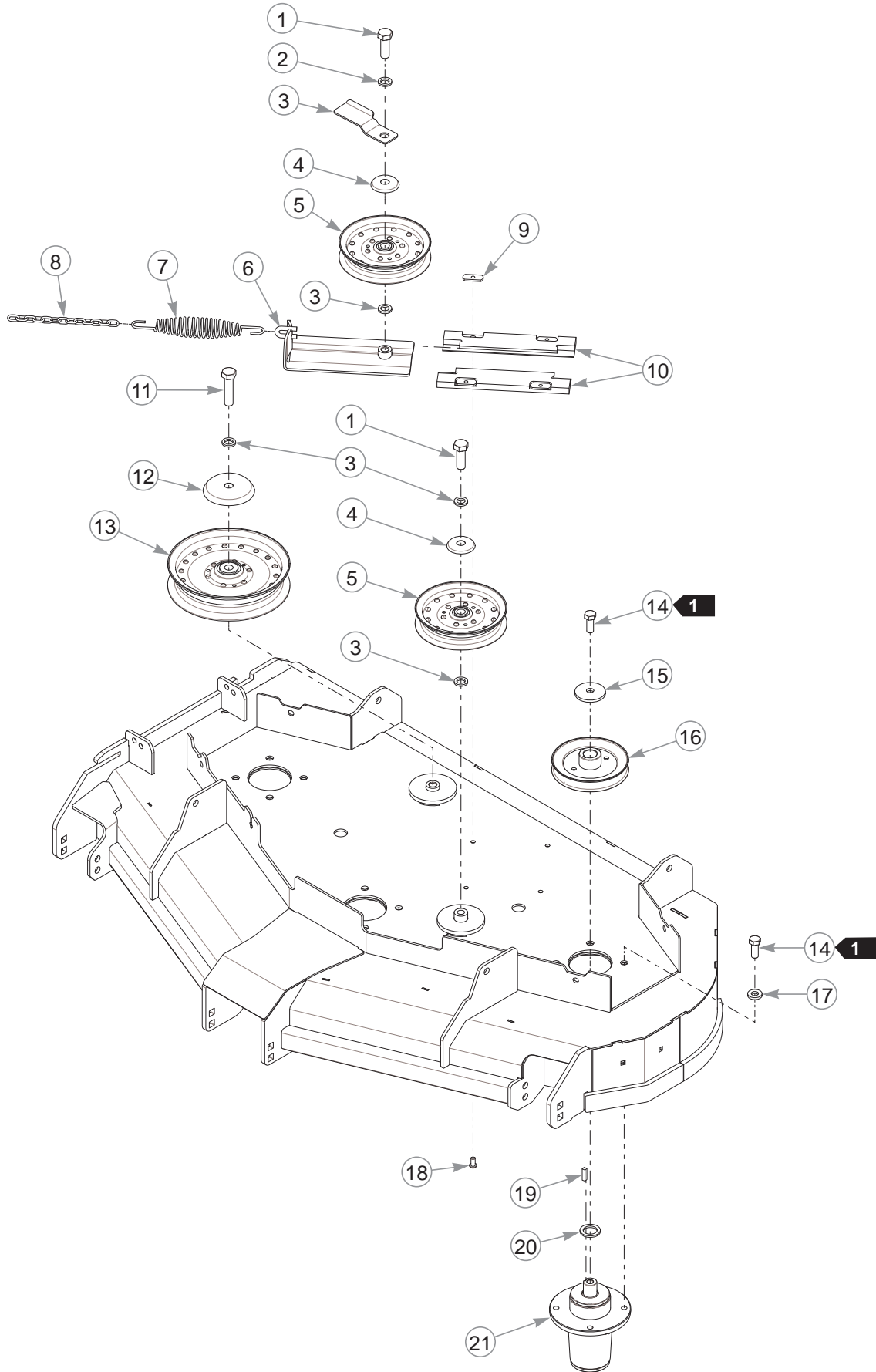
INDEX NO.	PART NO.	QTY.	DESCRIPTION
1	553618	1	52" DECK (WITH DECALS)
2	601069	4	CN .312-18 X .20 MAX THK
3	604222	1	DECK DANGERS DECAL
4	785535	1	52" DECK ID DECAL
5	604221	1	DANGER/CHUTE DECAL
6	781419	1	BELT ROUTING DECAL

## **NOTES:**

---

**This page intentionally left blank.**

# 52" Deck Pulleys & Spindles



---

## **52" Deck Pulleys & Spindles**

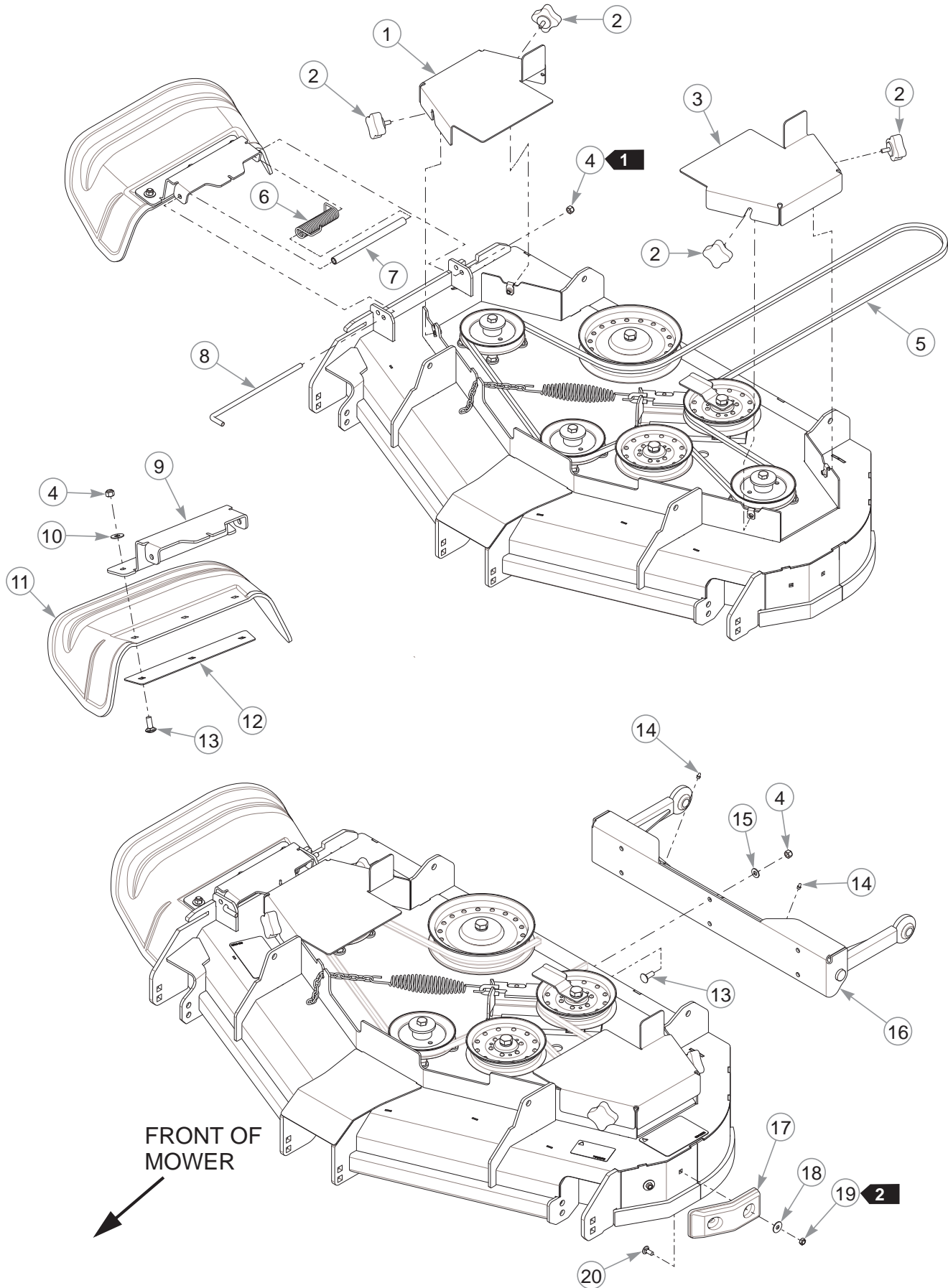
INDEX NO.	PART NO.	QTY.	DESCRIPTION
1	025007	2	CS .625-11 X 1.75 HX G5
2	028118	5	FW .625 X 1.00 X .134
3	606460	1	BELT GUIDE
4	602935	2	IDLER DUST SHIELD SM
5	602821	2	IDLER 6.0" RIVETED
6	350884	1	DECK IDLER SLIDE
7	781302	1	TENSION SPRING
8	259812	1	CHAIN, 13 LINK
9	603023	4	WN .312-18 ZN
10	602936	2	UHMW IDLER SLIDE
11	025015	1	CS .625-11 X 2.50 HX G5
12	602963	1	IDLER DUST SHIELD LG
13	602838	1	IDLER 8.0" RIVETED
14	705954	15	CS .500-13 X 1.25 HX G5
15	752386	3	CW .550 X 2.25 X .305 BLK
16	798967	3	B-SEC 5.44 EOD PULLEY
17	767962	12	FW .531 X 1.063 X .175
18	603022	4	CS .312-18 X .625 BH ZN
19	212472	3	KEY 1/4 SQ X 1.00
20	045765	3	FW 1.030 X 1.50 X .134
21	604255	3	BLADE SPINDLE CW

---

### **NOTES:**

1. Torque to 63–73 ft-lbs.

# 52" Deck



---

## **52" Deck**

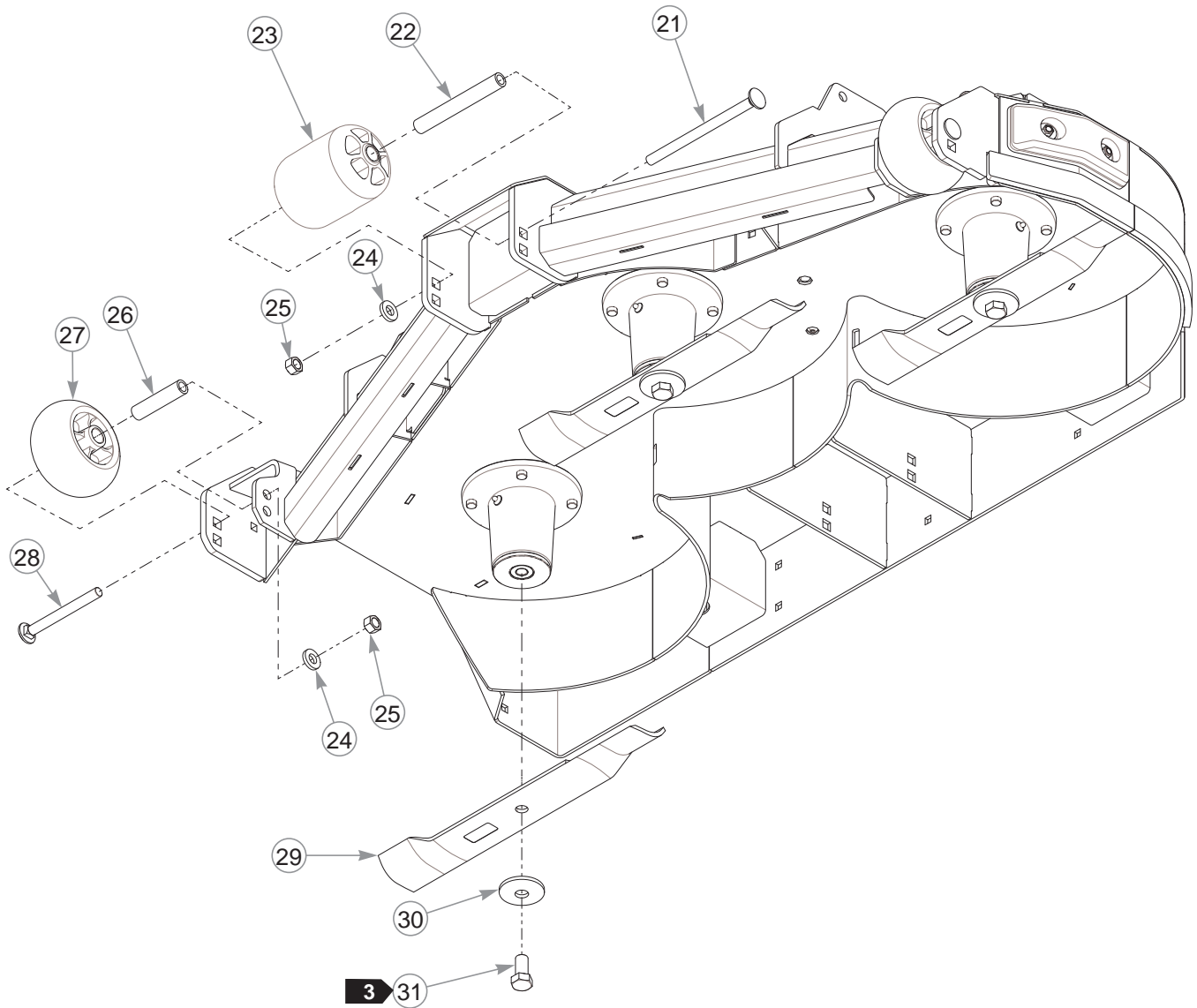
INDEX NO.	PART NO.	QTY.	DESCRIPTION
1	124095	1	RS PULLEY COVER
2	792002	4	KNOB 5/16-18 X 3/4"
3	124094	1	LS PULLEY COVER
4	086660	10	NT .375-16 HX G5 NL
5	602077	1	BELT, B 156.00" EL
6	606192	1	TORSION SPRING
7	606166	1	CHUTE SPRING RETAINER
8	605936	1	CHUTE PIN
9	123039	1	DISCHARGE CHUTE BRACKET
10	076422	3	FW .406 X 1.00 X .06 ZNYC
11	605916	1	DISCHARGE CHUTE
12	122148	1	BOTTOM DISCHARGE CHUTE BRACKET
13	025395	9	CB .375-16 X 1.00 G5 ZNY
14	015495	2	GREASE FITTING STRAIGHT
15	767954	6	FW .379 X .813 X .063
16	124086	1	PUSHER
17	605376	1	DECK BUMPER
18	079210	2	FW .344 X 1.00 X .06 ZNYC
19	604251	2	NT .312-18 HX NL JAM G2 ZN
20	016253	2	CB .312-18 X .75 FUL ZN

---

### **NOTES:**

1. Do not torque; the discharge chute must pivot freely.
2. Torque to 3–6 ft-lbs.

# 52" Deck





---

## **52" Deck**

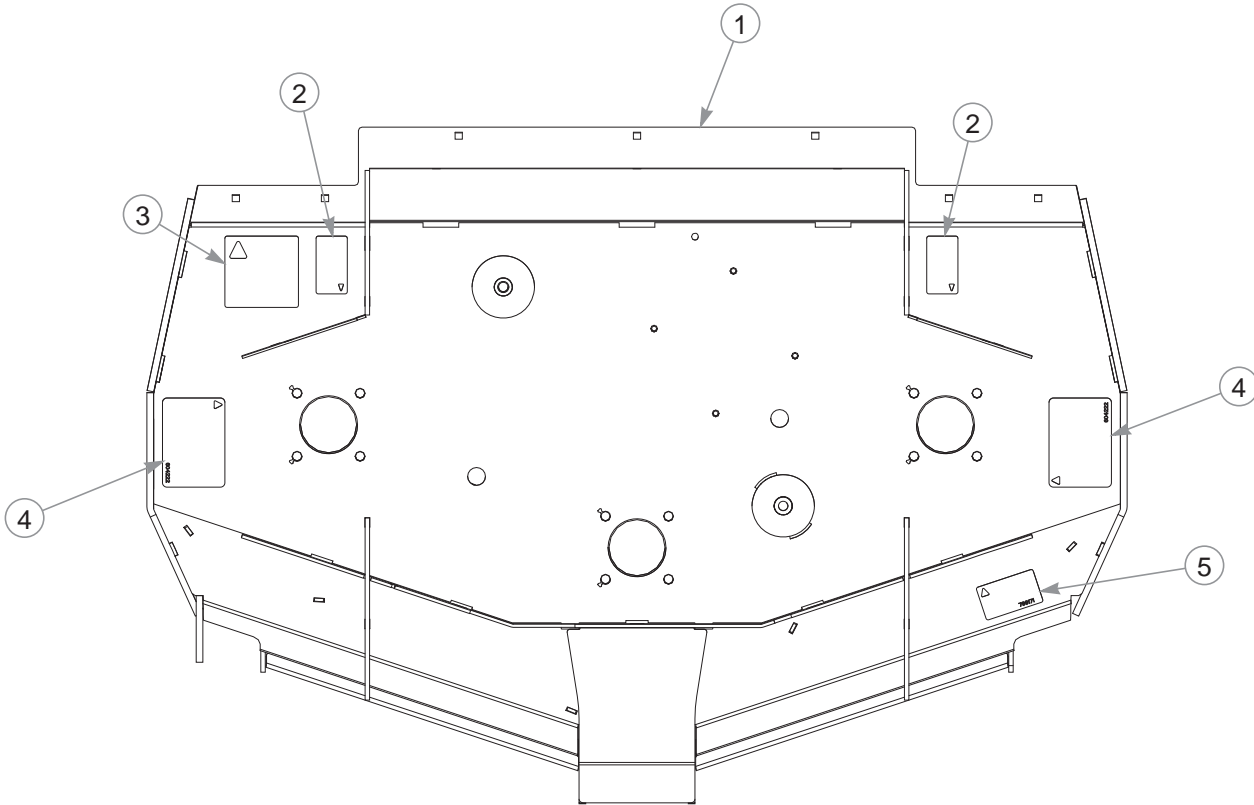
INDEX NO.	PART NO.	QTY.	DESCRIPTION
21	602338	1	CB .500-13 X 7.50 STD ZN
22	602344	1	SPACER 5.73
23	602341	1	PLASTIC WHEEL
24	767962	3	FW .531 X 1.063 X .175
25	008193	3	NT .500-13 HX G5 ZNYC
26	602345	2	SPACER 3.22
27	602263	2	PLASTIC WHEEL
28	603049	2	CB .500-13 X 5.00 ZNYC
29	787721	3	BLADE, 17.86"-H-F-CW
	794198	3	BLADE, 17.86"-MUL-F-CW
	785436	3	BLADE, 17.86"-GAT-F-CW
30	782474	3	CW .631 X 2.25 X .187 PNT
31	781872	3	CS .625-11 X 1.25 HX G5 Z

---

### **NOTES:**

3. Torque to 118 ft-lbs.

# **54" Service Deck**



---

INDEX NO.	PART NO.	QTY.	DESCRIPTION
1	553684	1	54" DECK (WITH DECALS)
2	603391	2	RUBBER FLAP DECAL
3	781419	1	BELT ROUTING DECAL
4	604222	2	DANGER/OBJECTS DECAL
5	799171	1	54" DECK ID DECAL

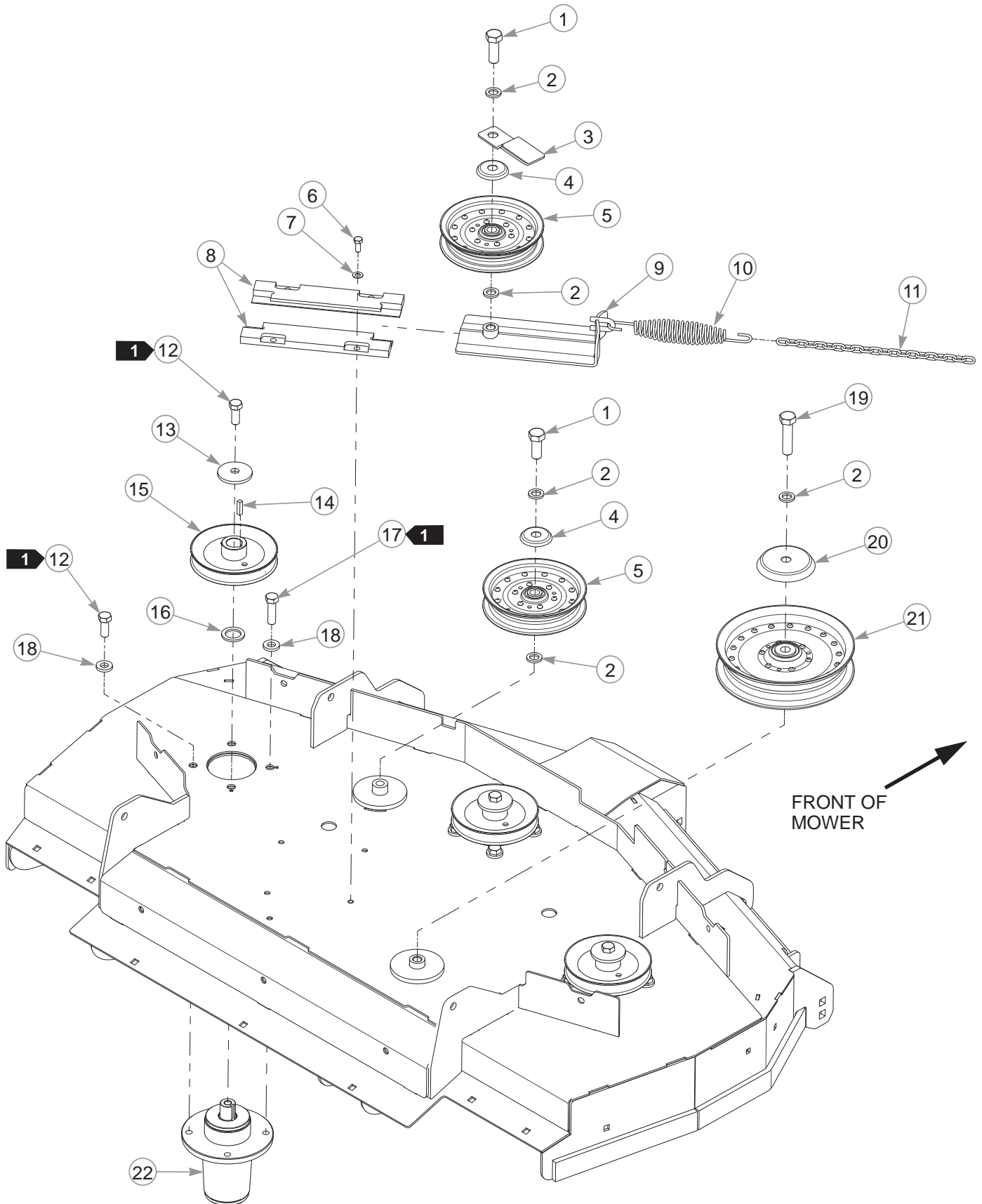
---

## **NOTES:**

---

**This page intentionally left blank.**

# 54" Deck Pulleys & Spindles



---

## **54" Deck Pulleys & Spindles**

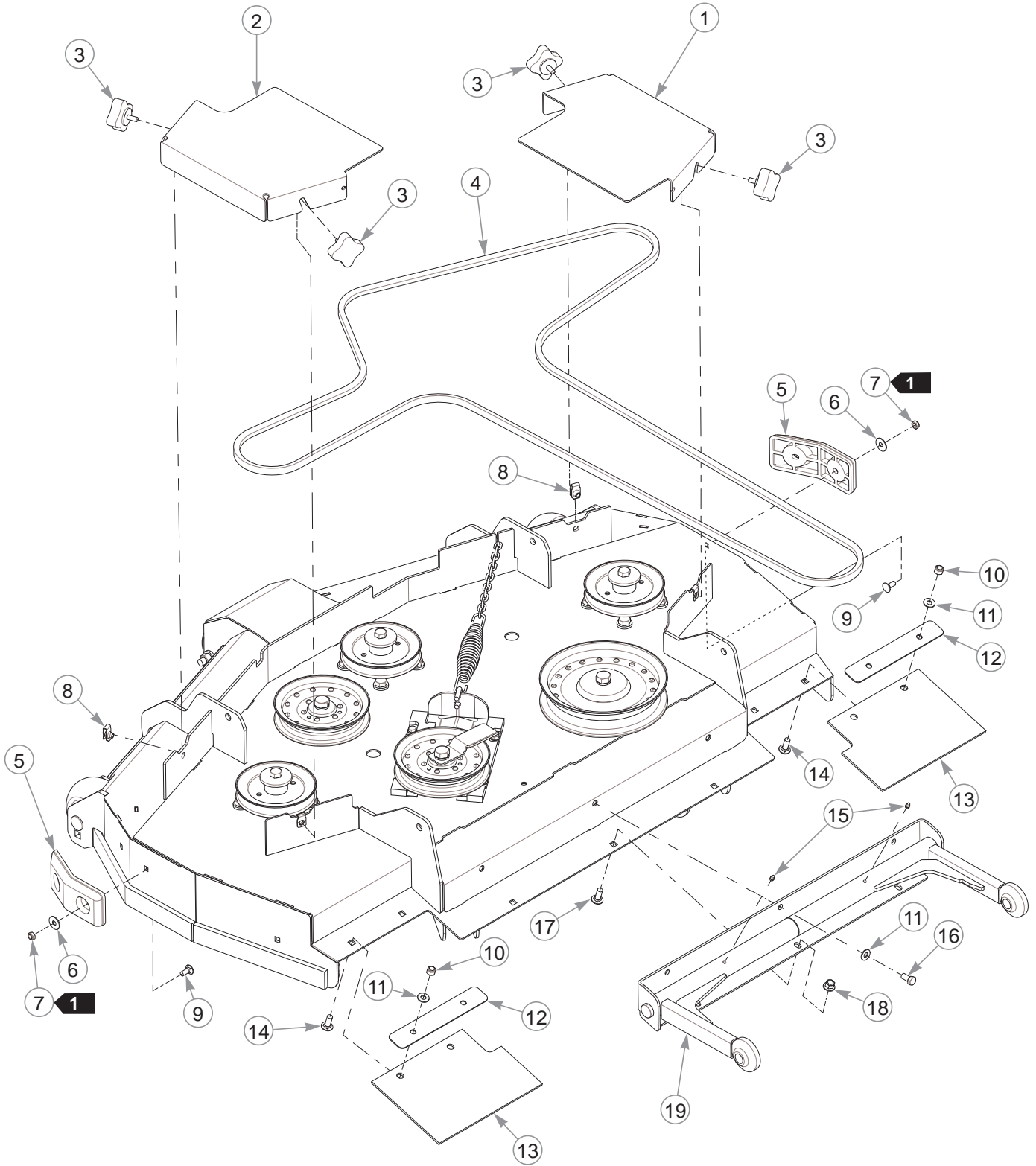
INDEX NO.	PART NO.	QTY.	DESCRIPTION
1	025007	2	CS .625-11 X 1.75 HX G5
2	028118	5	FW .625 X 1.00 X .134
3	606460	1	BELT GUIDE
4	602935	2	IDLER DUST SHIELD SM
5	602821	2	IDLER 6.0" RIVETED
6	034280	4	CS .312-18 X .75 HX G5
7	604252	4	FW .340 X .675 X .035 ZN
8	602936	2	UHMW IDLER SLIDE
9	350884	1	DECK IDLER SLIDE
10	781302	1	TENSION SPRING
11	373191	1	CHAIN, 21 LINK
12	705954	9	CS .500-13 X 1.25 HX G5
13	752386	3	CW .550 X 2.25 X .305 BLK
14	212472	3	KEY 1/4 SQ X 1.00
15	798967	3	DECK DRIVE PULLEY
16	045765	3	FW 1.030 X 1.50 X .134
17	017616	6	CS .500-13 X 1.75 HX G5
18	767962	12	FW .531 X 1.063 X .175
19	025015	1	CS .625-11 X 2.50 HX G5
20	602963	1	IDLER DUST SHIELD LG
21	602838	1	IDLER 8.0" RIVETED
22	604255	3	BLADE SPINDLE CW

---

### **NOTES:**

1. Torque to 63-73 ft-lbs.

# 54" Deck



---

## **54" Deck**

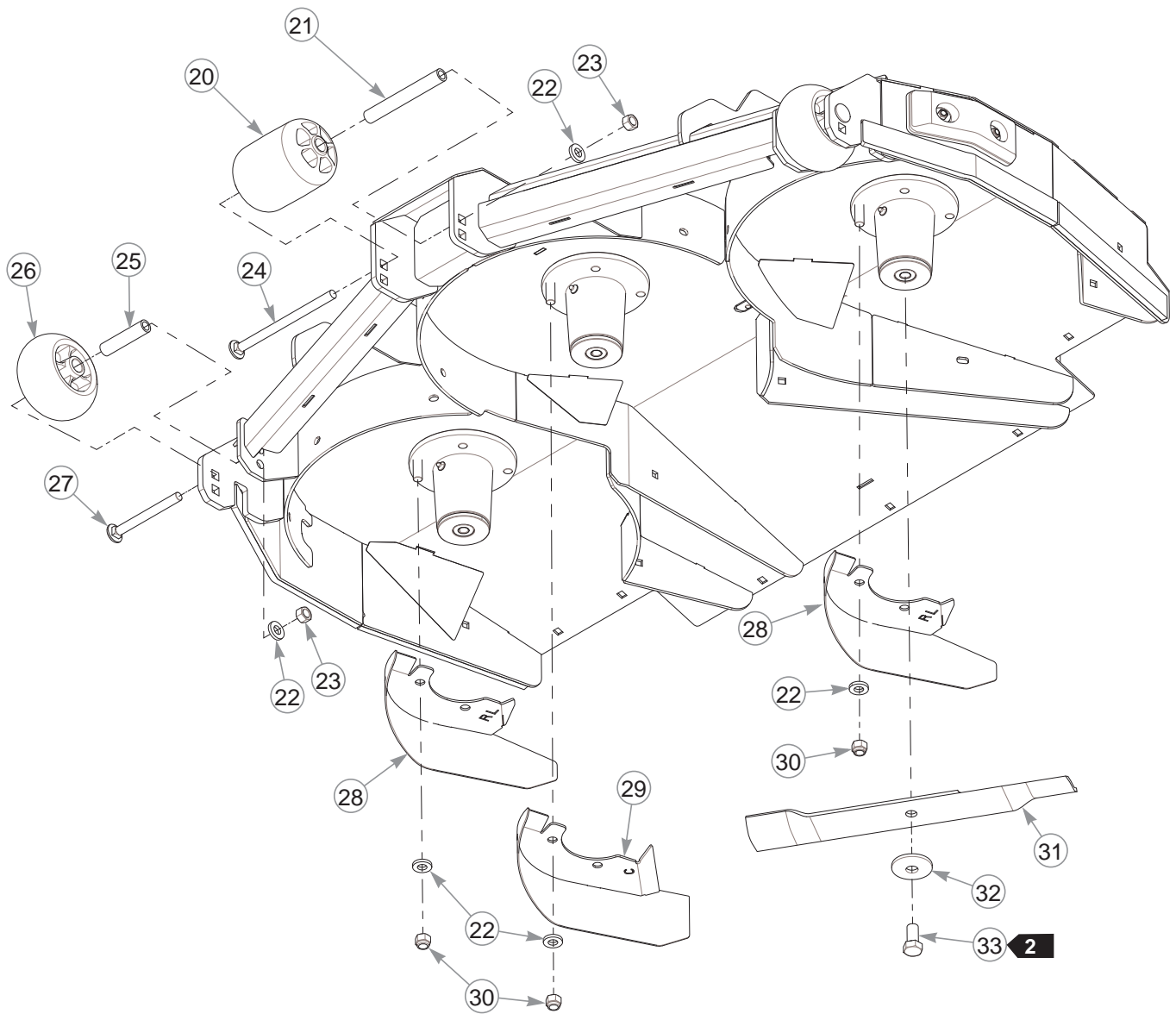
INDEX NO.	PART NO.	QTY.	DESCRIPTION
1	123531	1	RS PULLEY COVER
2	123532	1	LS PULLEY COVER
3	792002	4	KNOB 5/16-18 X 3/4"
4	605510	1	BELT B 158.5 EL
5	605376	2	DECK BUMPER
6	079210	4	FW .344 X 1.00 X .06 ZNYC
7	604251	4	NT .312-18 HX NL JAM G2 ZN
8	601069	4	CN .312-18 X .20 MAX THK
9	016253	4	CB .312-18 X .75 FUL ZN
10	086660	4	NT .375-16 G5 NL
11	767954	7	FW .379 X .813 X .063
12	123534	2	CLAMP
13	606598	2	RUBBER FLAP
14	025395	4	CB .375-16 X 1.00 G5 ZNY
15	015495	2	GREASE FITTING STRAIGHT
16	055822	3	CS .375-16 X .75 HX G5
17	011320	3	CB .375-16 X .75 STD ZN
18	016899	3	NT .375-16 FLK G5
19	123396	1	PUSHER

---

### **NOTES:**

1. Torque to 3–6 ft-lbs.

# 54" Deck





---

## **54" Deck**

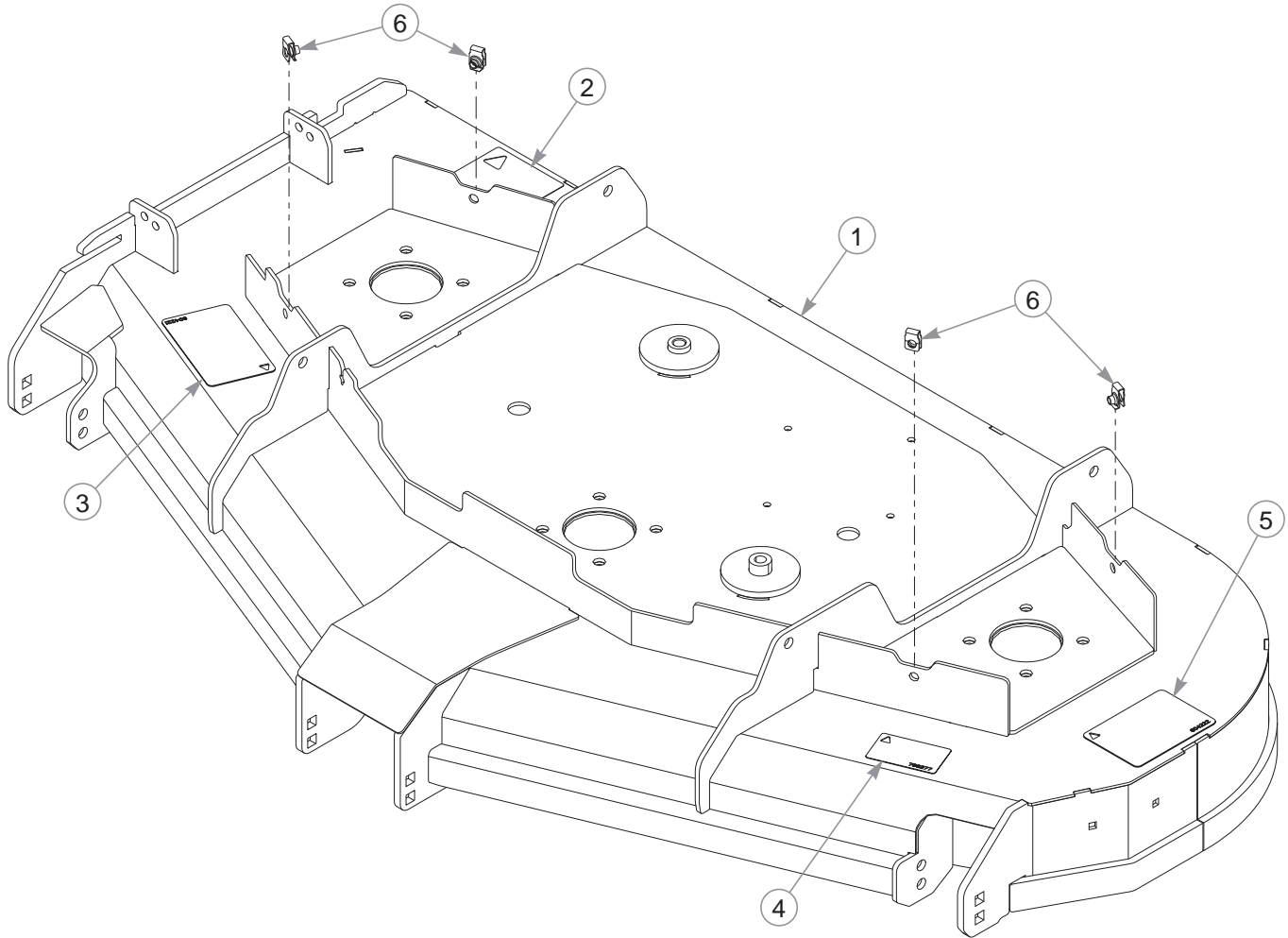
INDEX NO.	PART NO.	QTY.	DESCRIPTION
20	602341	1	PLASTIC WHEEL
21	602344	1	SPACER 5.73
22	767962	9	FW .531 X 1.063 X .175
23	008193	3	NT .500-13 HX G5 ZNYC
24	602338	1	CB .500-13 X 7.50 STD ZN
25	602345	2	SPACER 3.22
26	602263	2	PLASTIC WHEEL
27	603049	2	CB .500-13 X 5.00 ZNYC
28	123512	2	CUT-OFF
29	123513	1	MIDDLE CUT-OFF
30	781567	6	NT .500-13 NL
31	601124	3	BLADE, 18.50"-L-F-CW
	797704	3	BLADE, 18.50"-MUL-F-CW
	797712	3	BLADE, 18.50"-GAT-F-CW
32	782474	3	CW .631 X 2.25 X .187
33	781872	3	CS .625-11 X 1.25 HX G5

---

### **NOTES:**

2. Torque to 118 ft-lbs.

# **60" Service Deck**



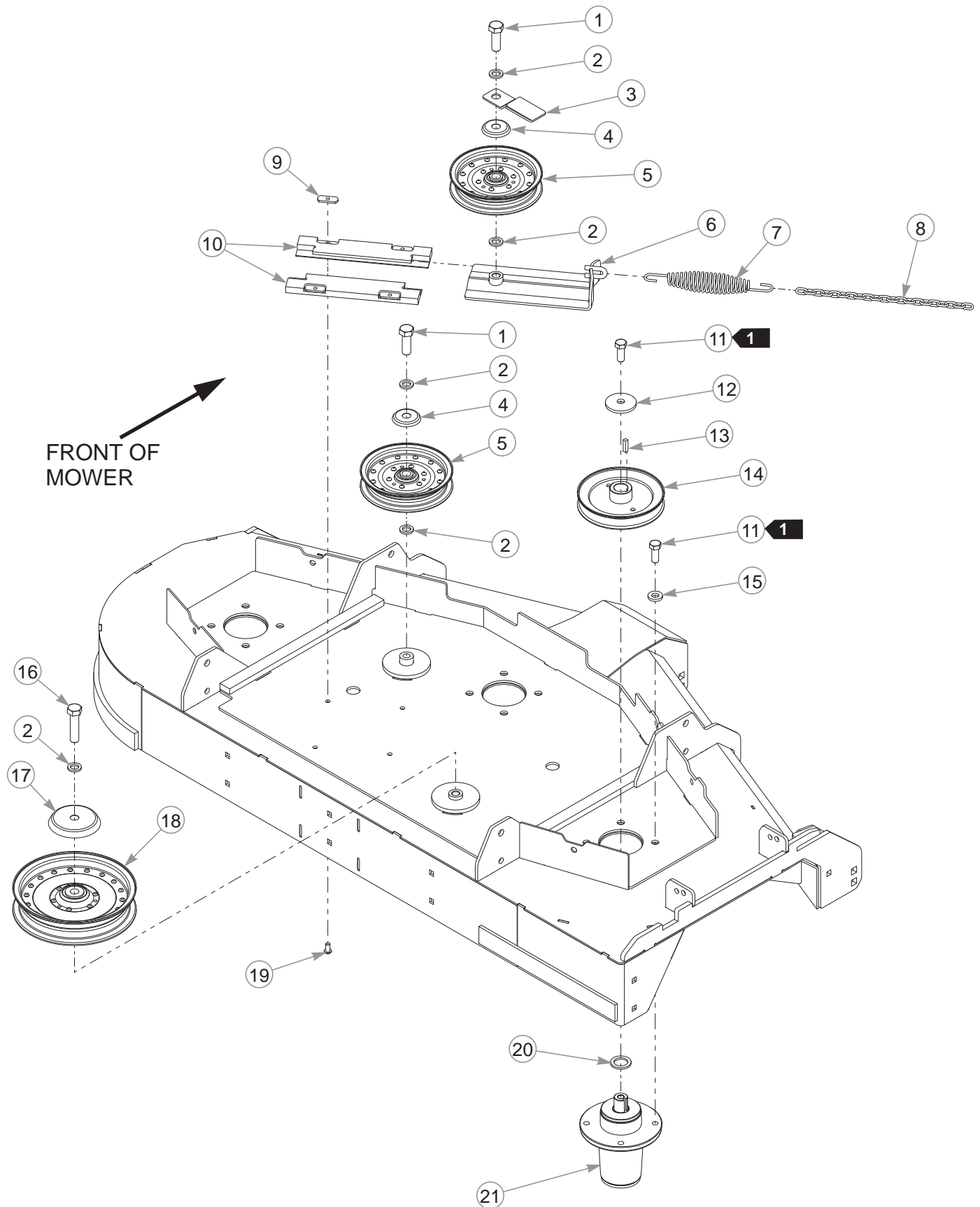
INDEX NO.	PART NO.	QTY	DESCRIPTION
1	553619	1	DECK (WITH DECALS)
2	781419	1	BELT ROUTING DECAL
3	604221	1	DANGER/CHUTE DECAL
4	786277	1	60" SD DECK ID DECAL
5	604222	1	DANGER/OBJECTS DECAL
6	601069	4	CN .312-16 X .20 MAX THK

## **NOTES:**

---

**This page intentionally left blank.**

# 60" Deck Pulleys & Spindles



---

## **60" Deck Pulleys & Spindles**

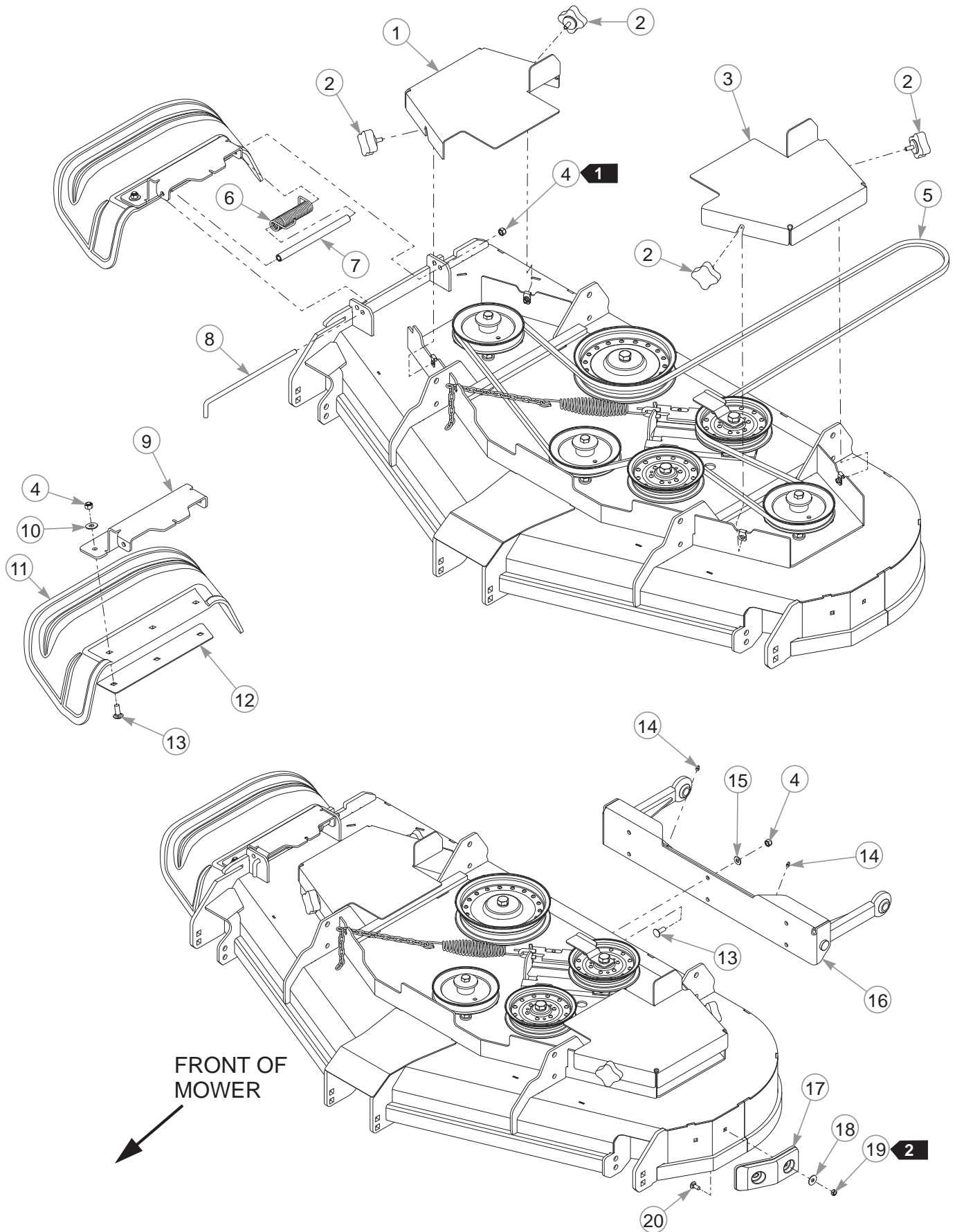
INDEX NO.	PART NO.	QTY.	DESCRIPTION
1	025007	2	CS .625-11 X 1.75 HX G5
2	028118	5	FW .625 X 1.00 X .134
3	606460	1	BELT GUIDE
4	602935	2	IDLER DUST SHIELD SM
5	602821	2	IDLER 6.0" RIVETED
6	350884	1	DECK IDLER SLIDE
7	781302	1	TENSION SPRING
8	373191	1	CHAIN, 21 LINK
9	603023	4	WN .312-18 ZN
10	602936	2	UHMW IDLER SLIDE
11	705954	15	CS .500-13 X 1.25 HX G5
12	752386	3	CW .550 X 2.25 X .305 BLK
13	212472	3	KEY 1/4 SQ X 1.00
14	770842	3	DECK DRIVE PULLEY
15	767962	12	FW .531 X 1.063 X .175
16	025015	1	CS .625-11 X 2.50 HX G5
17	602963	1	IDLER DUST SHIELD LG
18	602838	1	IDLER 8.0" RIVETED
19	603022	4	CS .312-18 X .625 BH ZN
20	045765	3	FW 1.030 X 1.50 X .134
21	604255	3	BLADE SPINDLE CW

---

### **NOTES:**

1. Torque to 63–73 ft-lbs.

# 60" Deck



---

## **60" Deck**

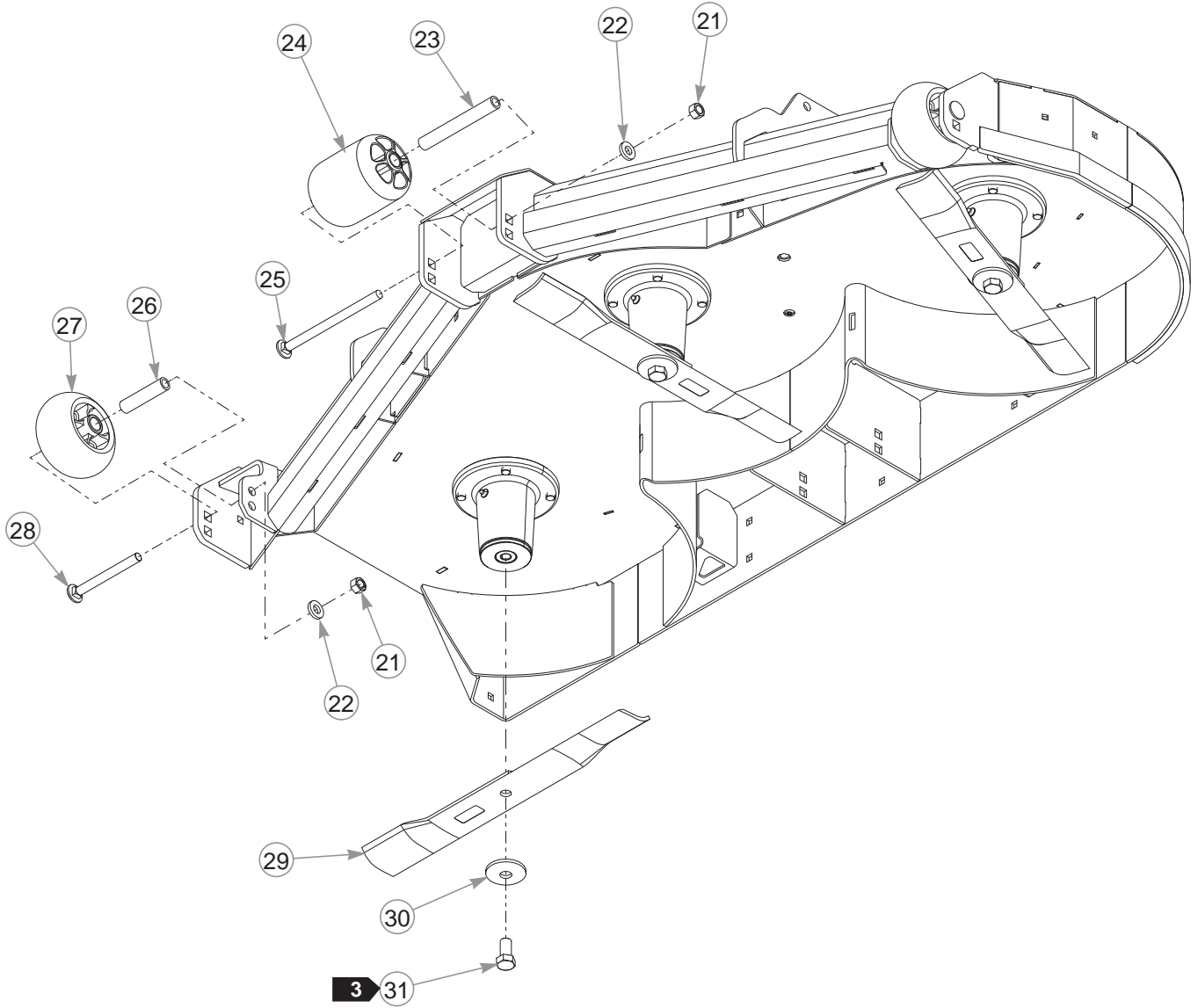
INDEX NO.	PART NO.	QTY.	DESCRIPTION
1	124079	1	RS PULLEY COVER
2	792002	4	KNOB 5/16-18 X 3/4"
3	124078	1	LS PULLEY COVER
4	086660	10	NT .375-16 HX G5 NL
5	600929	1	BELT, B 167.3" EL
6	606192	1	TORSION SPRING
7	606166	1	CHUTE SPRING RETAINER
8	605936	1	CHUTE PIN
9	123039	1	DISCHARGE CHUTE BRACKET
10	076422	3	FW .406 X 1.00 X .06 ZNYC
11	605916	1	DISCHARGE CHUTE
12	122148	1	BOTTOM DISCHARGE CHUTE BRACKET
13	025395	9	CB .375-16 X 1.00 G5 ZNY
14	015495	2	GREASE FITTING STRAIGHT
15	767954	6	FW .379 X .813 X .063
16	124086	1	PUSHER
17	605376	1	DECK BUMPER
18	079210	2	FW .344 X 1.00 X .06 ZNYC
19	604251	2	NT .312-18 HX NL JAM G2 ZN
20	016253	2	CB .312-18 X .75 FUL ZN

---

### **NOTES:**

1. Do not torque; the discharge chute must pivot freely.
2. Torque to 3–6 ft-lbs.

# 60" Deck





---

## **60" Deck**

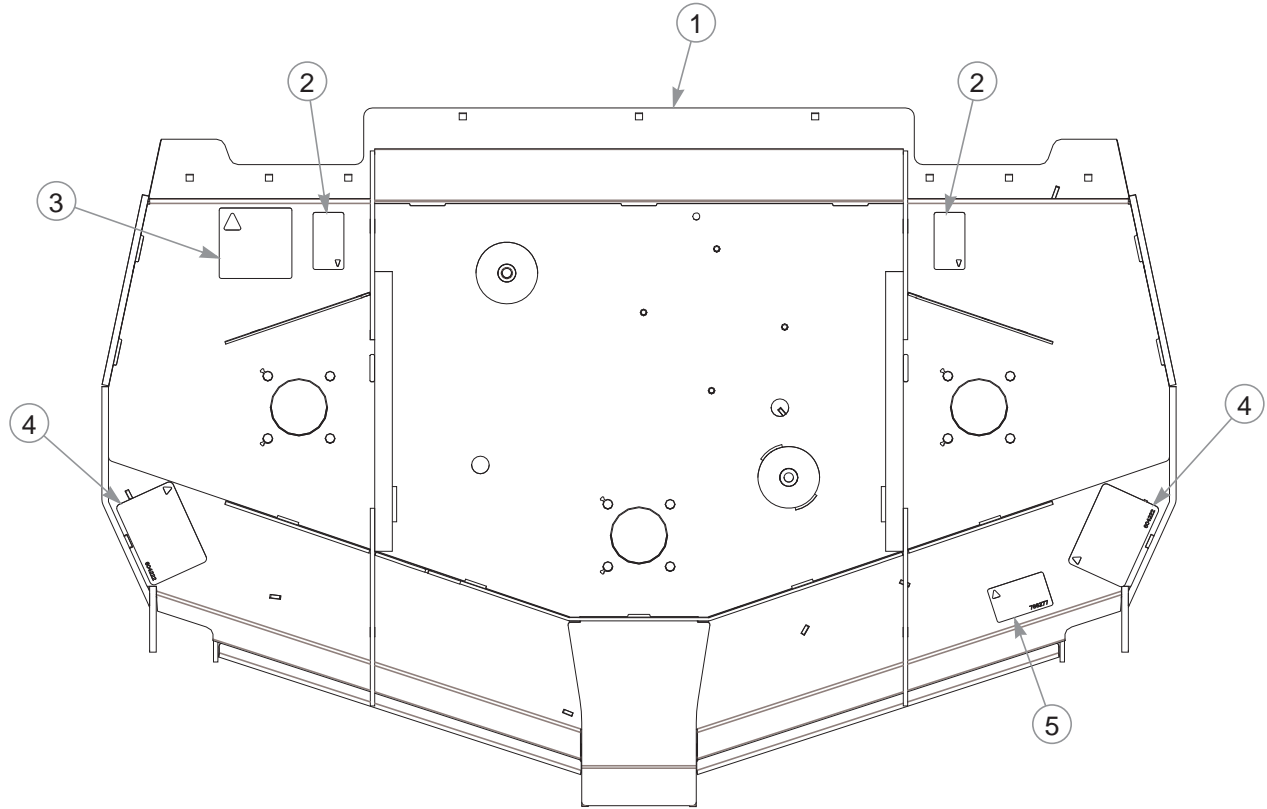
INDEX NO.	PART NO.	QTY.	DESCRIPTION
21	008193	3	NT .500-13 HX G5 ZNYC
22	767962	3	FW .531 X 1.063 X .175
23	602344	1	SPACER 5.73
24	602341	1	PLASTIC WHEEL
25	602338	1	CB .500-13 X 7.50 STD ZN
26	602345	2	SPACER 3.22
27	602263	2	PLASTIC WHEEL
28	603049	2	CB .500-13 X 5.00 ZNYC
29	794685	3	BLADE, F20.50"-H-F-CW
	794214	3	BLADE, 20.50"-MUL-F-CW
30	782474	3	CW .631 X 2.25 X .187 PNT
31	781872	3	CS .625-11 X 1.25 HX G5 Z

---

### **NOTES:**

3. Torque to 118 ft-lbs.

# **60" Rear Discharge Service Deck**



---

INDEX NO.	PART NO.	QTY.	DESCRIPTION
1	553684	1	60" DECK (WITH DECALS)
2	603391	2	RUBBER FLAP DECAL
3	781419	1	BELT ROUTING DECAL
4	604222	2	DANGER/OBJECTS DECAL
5	786277	1	60" DECK ID DECAL

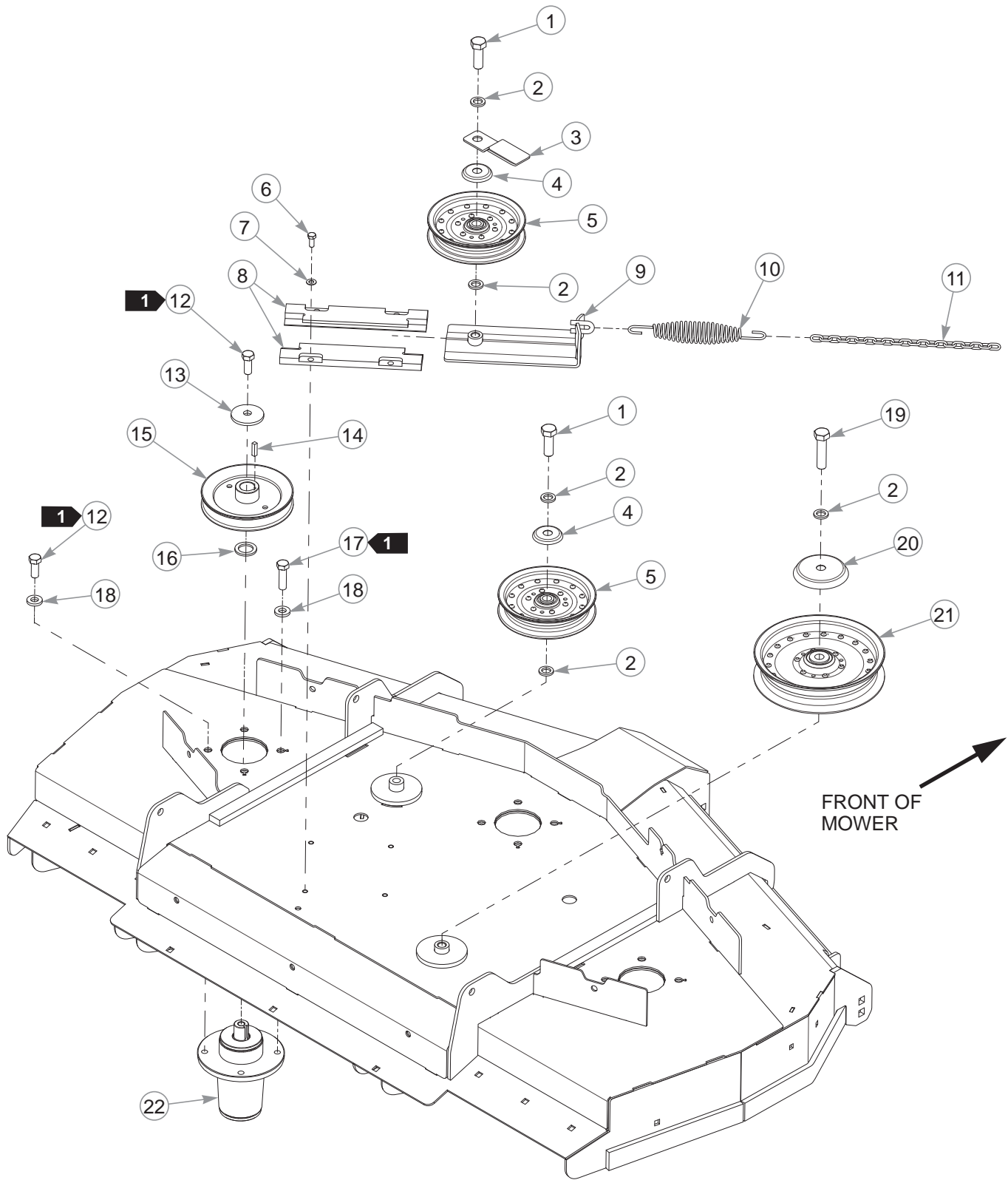
---

## **NOTES:**

---

**This page intentionally left blank.**

# 60" Rear Discharge Deck Pulleys & Spindles



---

## **60" Rear Discharge Deck Pulleys & Spindles**

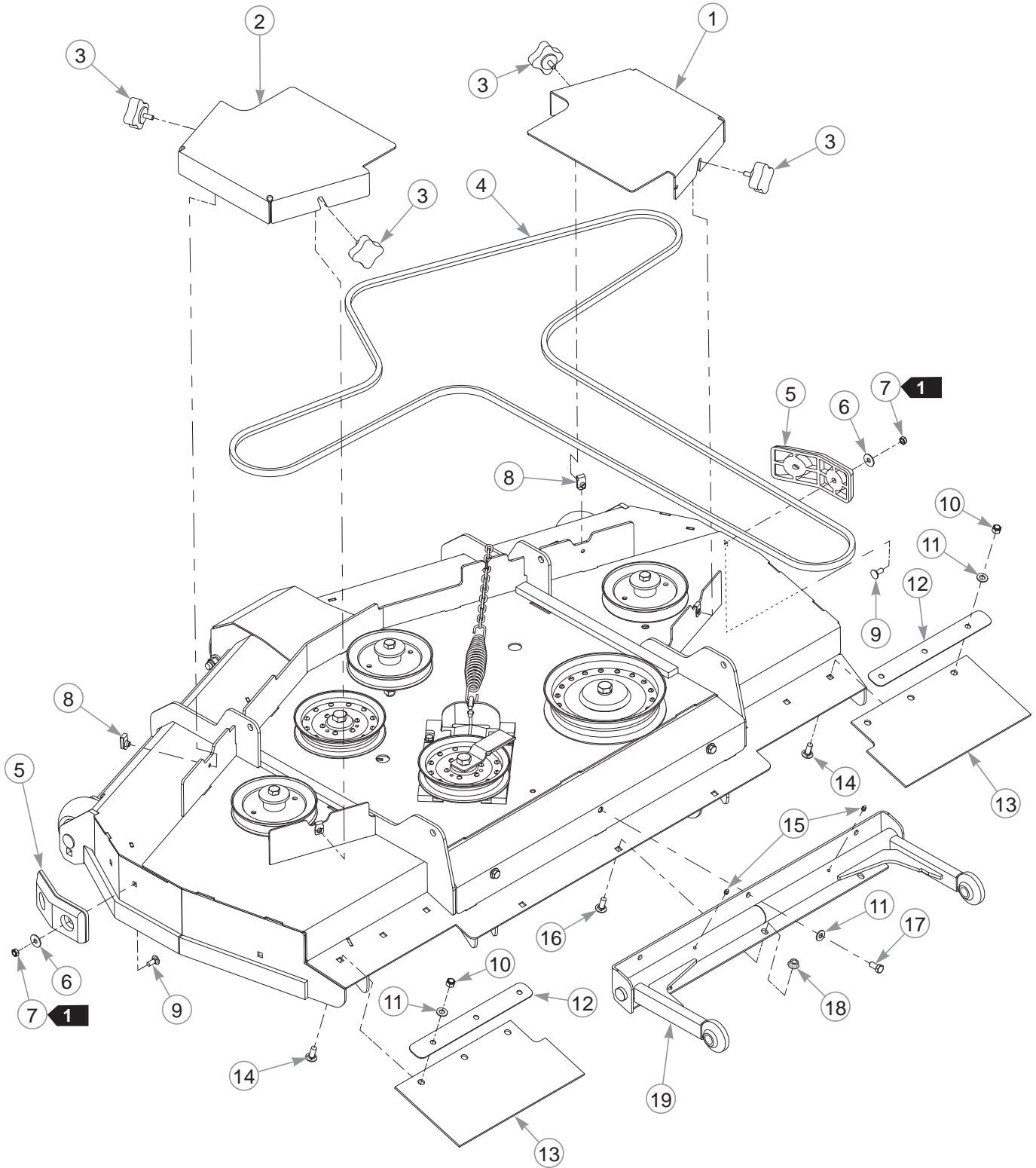
INDEX NO.	PART NO.	QTY.	DESCRIPTION
1	025007	2	CS .625-11 X 1.75 HX G5
2	028118	5	FW .625 X 1.00 X .134
3	606460	1	BELT GUIDE
4	602935	2	IDLER DUST SHIELD SM
5	602821	2	IDLER 6.0" RIVETED
6	034280	4	CS .312-18 X .75 HX G5
7	604252	4	FW .340 X .675 X .035 ZN
8	602936	2	UHMW IDLER SLIDE
9	350884	1	DECK IDLER SLIDE
10	781302	1	TENSION SPRING
11	373191	1	CHAIN, 21 LINK
12	705954	9	CS .500-13 X 1.25 HX G5
13	752386	3	CW .550 X 2.25 X .305 BLK
14	212472	3	KEY 1/4 SQ X 1.00
15	770842	3	DECK DRIVE PULLEY
16	045765	3	FW 1.030 X 1.50 X .134
17	017616	6	CS .500-13 X 1.75 HX G5
18	767962	12	FW .531 X 1.063 X .175
19	025015	1	CS .625-11 X 2.50 HX G5
20	602963	1	IDLER DUST SHIELD LG
21	602838	1	IDLER 8.0" RIVETED
22	604255	3	BLADE SPINDLE CW

---

### **NOTES:**

1. Torque to 63-73 ft-lbs.

# 60" Rear Discharge Deck



---

## **60" Rear Discharge Deck**

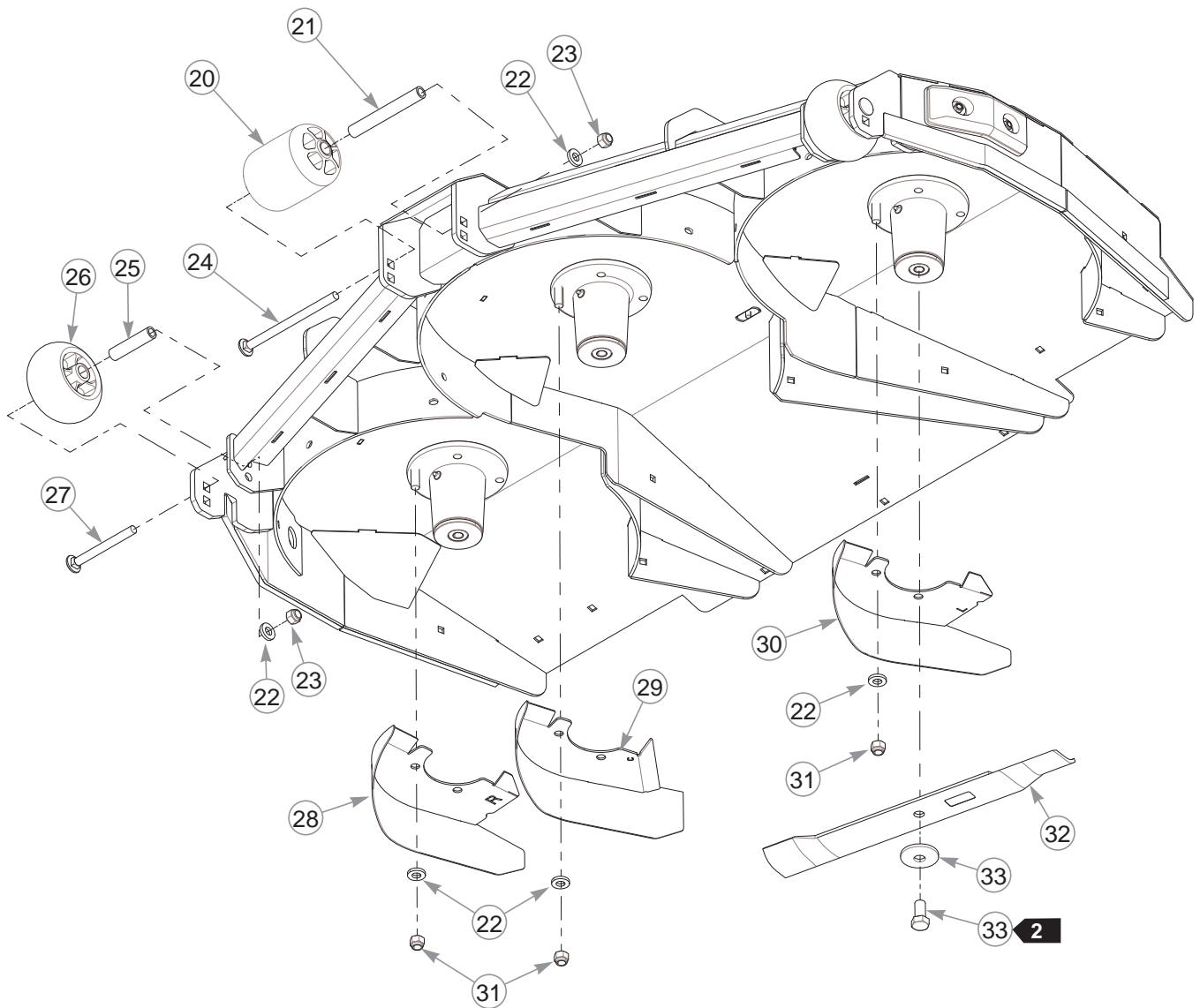
INDEX NO.	PART NO.	QTY.	DESCRIPTION
1	123395	1	RS PULLEY COVER
2	123394	1	LS PULLEY COVER
3	792002	4	KNOB 5/16-18 X 3/4"
4	602078	1	BELT, B 171.00" EL
5	605376	2	DECK BUMPER
6	079210	4	FW .344 X 1.00 X .06 ZNYC
7	604251	4	NT .312-18 HX NL JAM G2 ZN
8	601069	4	CN .312-18 X .20 MAX THK
9	016253	4	CB .312-18 X .75 FUL ZN
10	086660	6	NT .375-16 G5 NL
11	767954	9	FW .379 X .813 X .063
12	123508	2	CLAMP
13	606505	2	RUBBER FLAP
14	025395	6	CB .375-16 X 1.00 G5 ZNY
15	015495	2	GREASE FITTING STRAIGHT
16	011320	3	CB .375-16 X .75 STD ZN
17	055822	3	CS .375-16 X .75 HX G5
18	016899	3	NT .375-16 FLK G5
19	123396	1	PUSHER

---

### **NOTES:**

1. Torque to 3–6 ft-lbs.

# 60" Rear Discharge Deck





---

## **60" Rear Discharge Deck**

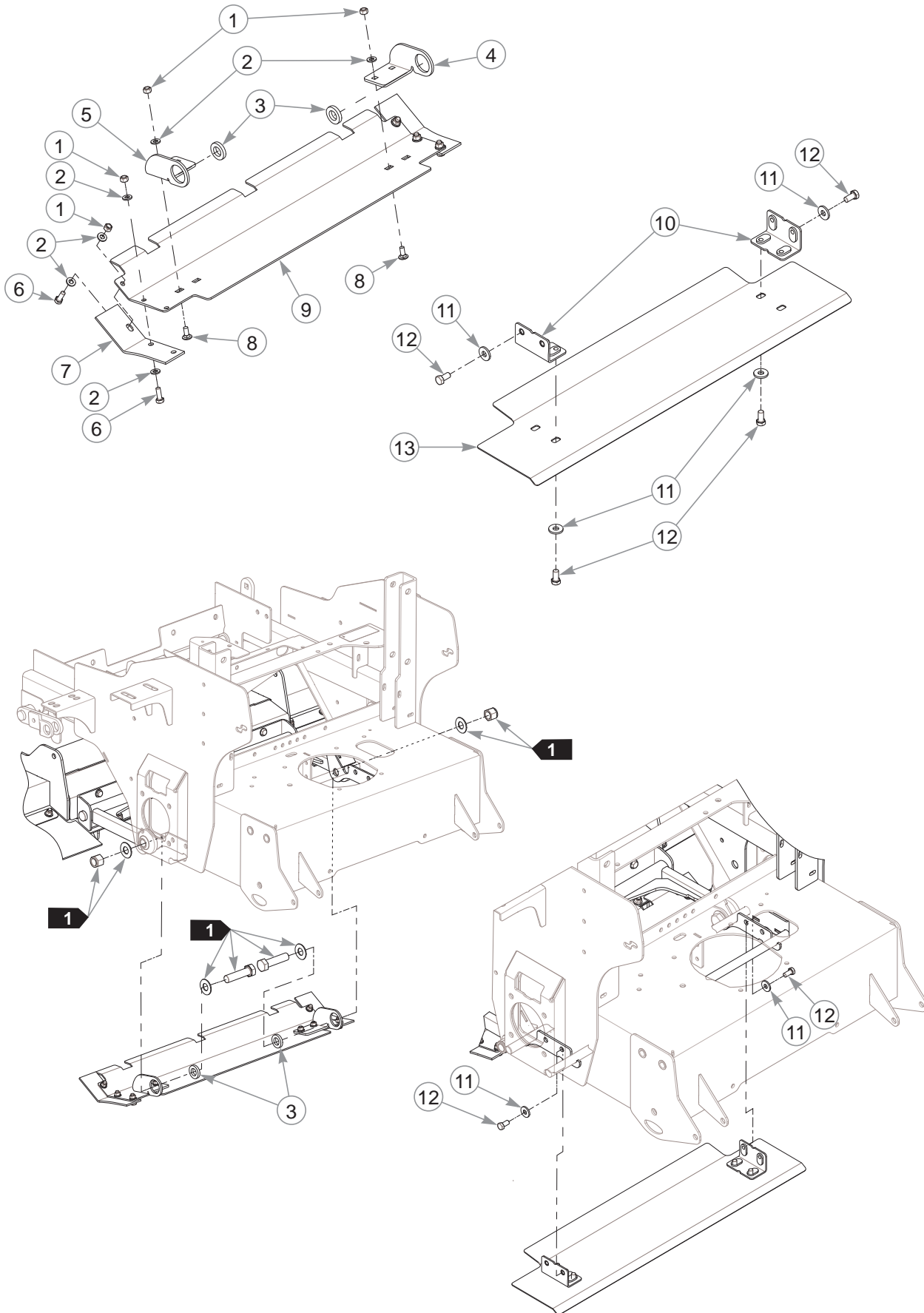
INDEX NO.	PART NO.	QTY.	DESCRIPTION
20	602341	1	PLASTIC WHEEL
21	602344	1	SPACER 5.73
22	767962	9	FW .531 X 1.063 X .175
23	008193	3	NT. 500-13 HX G5
24	602338	1	CB .500-13 X 7.50 STD ZN
25	602345	2	SPACER 3.22
26	602263	2	PLASTIC WHEEL
27	603049	2	CB .500-13 X 5.00 ZNYC
28	123510	1	RS CUT-OFF
29	123509	1	MIDDLE CUT-OFF
30	123511	1	LS CUT-OFF
31	781567	6	NT .500-13 NL
32	600901	3	BLADE, F20.50"-L-F-CW
	794214	3	BLADE, 20.5"-MUL-F-CW
	794230	3	BLADE, 20.5"-GAT-F-CW
33	782474	3	CW .631 X 2.25 X .187
34	781872	3	CS .625-11 X 1.25 HX G5

---

### **NOTES:**

2. Torque to 118 ft-lbs.

# **54"/60" Rear Discharge Deck Dust Shield**



---

## **54"/60" Rear Discharge Deck Dust Shield**

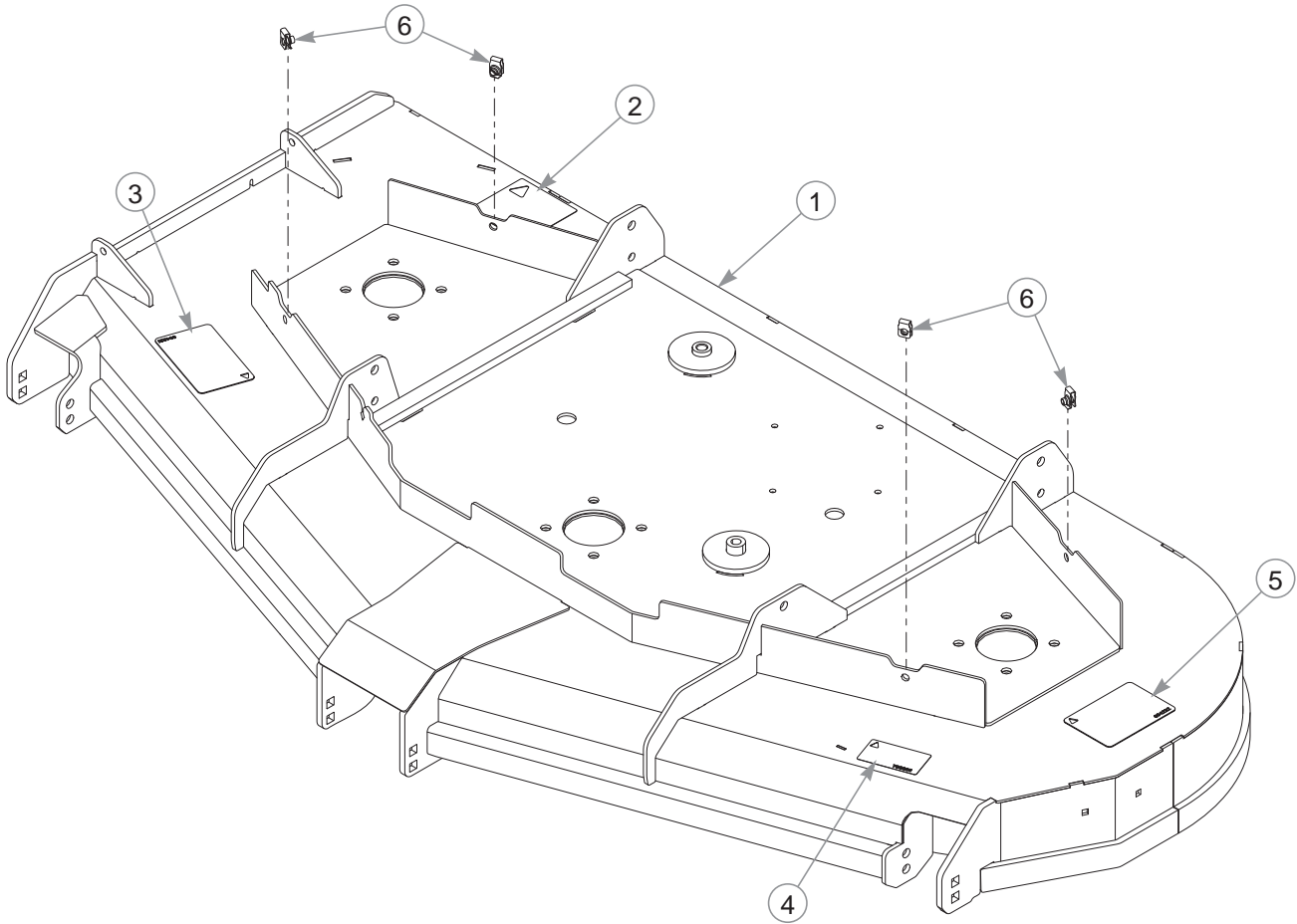
INDEX NO.	PART NO.	QTY.	DESCRIPTION
1	058776	10	NT .312-18 HX G5 ZY NL
2	768523	16	FW .343 X .687 X .051/.080H
3	778399	2	FW .781 X 1.375 X .250 ZNY
4	123525	1	RS CHUTE BRACKET
5	123526	1	LS CHUTE BRACKET
6	064014	6	CS .312-18 X .875 HX G5
7	606614	2	RUBBER FLAP
8	016253	4	CB .312-18 X .75 FUL ZN
9	123528	1	FRONT REAR SHIELD
10	123530	2	REAR SHIELD SUPPORT
11	712919	8	FW .406 X 1.00 X .12 HRD Z
12	055822	8	CS .375-16 X .75 HX G5
13	123529	1	BACK REAR SHIELD

---

### **NOTES:**

1. Part of the Deck Lift Assembly.

# 72" Service Deck



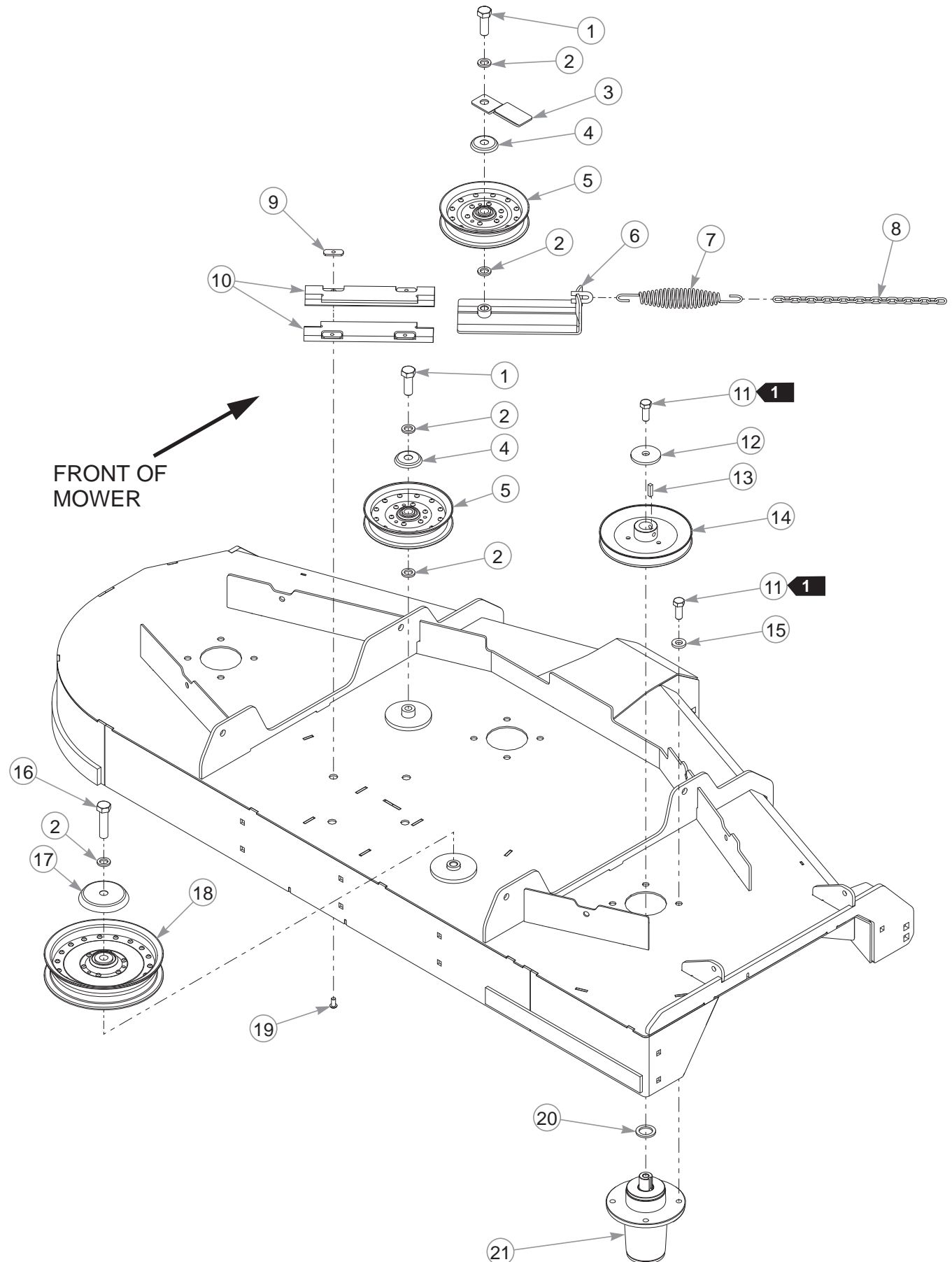
INDEX NO.	PART NO.	QTY	DESCRIPTION
1	553620	1	72" DECK (WITH DECALS)
2	781419	1	BELT ROUTING DECAL
3	604221	1	DANGER/CHUTE DECAL
4	786285	1	72" DECK ID DECAL
5	604222	1	DANGER/OBJECTS DECAL
6	601069	4	CN .312-16 X .20 MAX THK

## NOTES:

---

**This page intentionally left blank.**

# 72" Deck Pulleys & Spindles



---

## **72" Deck Pulleys & Spindles**

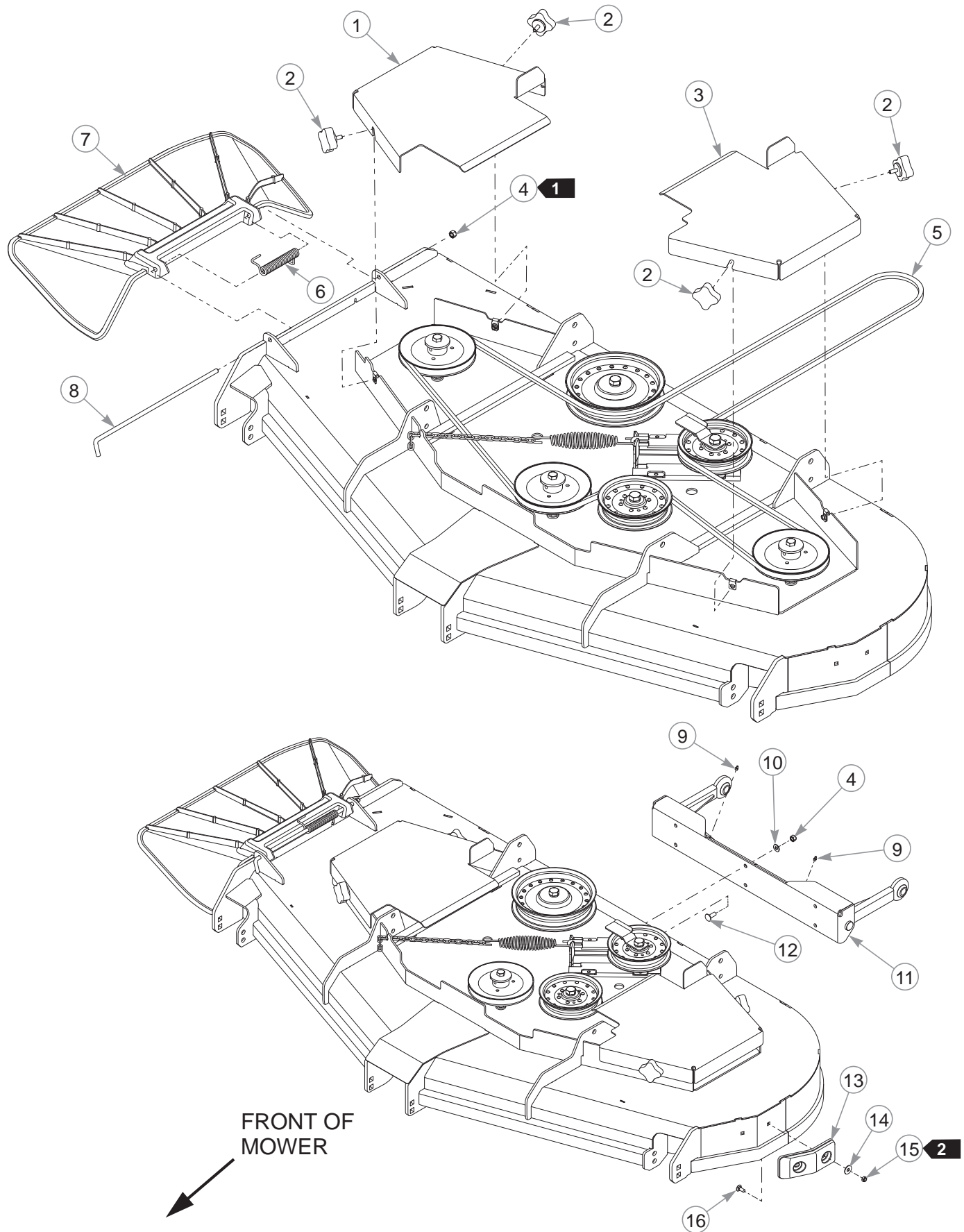
INDEX NO.	PART NO.	QTY.	DESCRIPTION
1	025007	2	CS .625-11 X 1.75 HX G5
2	028118	5	FW .625 X 1.00 X .134
3	606460	1	BELT GUIDE
4	602935	2	IDLER DUST SHIELD SM
5	602821	2	IDLER 6.0" RIVETED
6	350884	1	DECK IDLER SLIDE
7	781302	1	TENSION SPRING
8	373191	1	CHAIN, 21 LINK
9	603023	4	WN .312-18 ZN
10	602936	2	UHMW IDLER SLIDE
11	705954	15	CS .500-13 X 1.25 HX G5
12	752386	3	CW .550 X 2.25 X .305 BLK
13	212472	3	KEY 1/4 SQ X 1.00
14	538850	3	DRIVE PULLEY
15	767962	12	FW .531 X 1.063 X .175
16	025015	1	CS .625-11 X 2.50 HX G5
17	602963	1	IDLER DUST SHIELD LG
18	602838	1	IDLER 8.0" RIVETED
19	603022	4	CS .312-18 X .625 BH ZN
20	045765	3	FW 1.030 X 1.50 X .134
21	604255	3	BLADE SPINDLE CW

---

### **NOTES:**

1. Torque to 63–73 ft-lbs.

# 72" Deck





---

## **72" Deck**

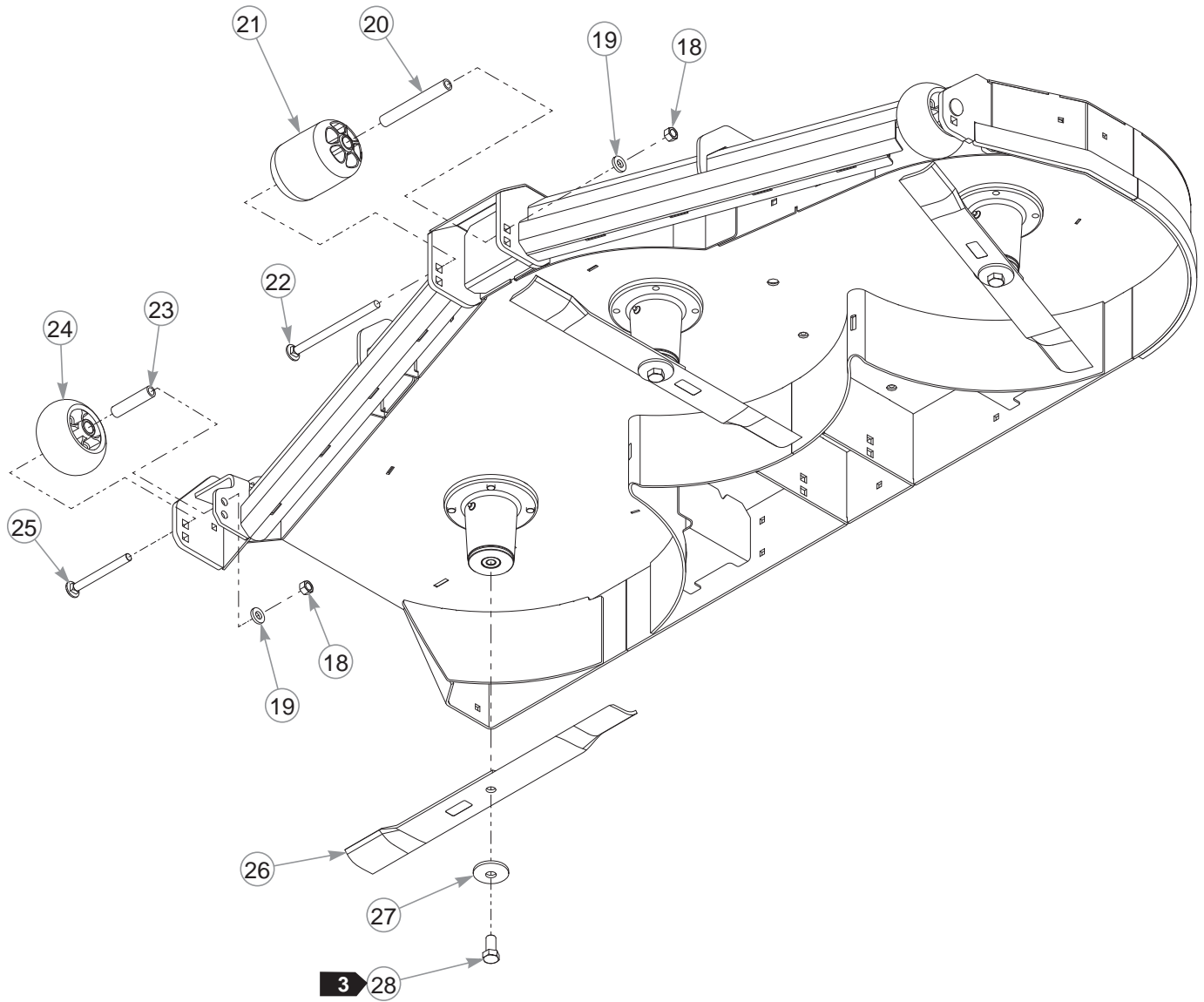
INDEX NO.	PART NO.	QTY.	DESCRIPTION
1	124093	1	RS PULLEY COVER
2	792002	4	KNOB 5/16-18 X 3/4"
3	124092	1	LS PULLEY COVER
4	086660	7	NT .375-16 HX G5 NL
5	797936	1	BELT, B 184.79" EL
6	602435	1	TORSION SPRING
7	602891	1	DISCHARGE CHUTE
8	602432	1	CHUTE PIN
9	015495	2	GREASE FITTING STRAIGHT
10	767954	6	FW .379 X .813 X .063
11	124086	1	PUSHER
12	025395	6	CB .375-16 X 1.00 G5 ZNY
13	605376	1	DECK BUMPER
14	079210	2	FW .344 X 1.00 X .06 ZNYC
15	604251	2	NT .312-18 HX NL JAM G2 ZN
16	016253	2	CB .312-18 X .75 FUL ZN

---

### **NOTES:**

1. Do not torque; the discharge chute must pivot freely.
2. Torque to 3–6 ft-lbs.

# 72" Deck



---

## **72" Deck**

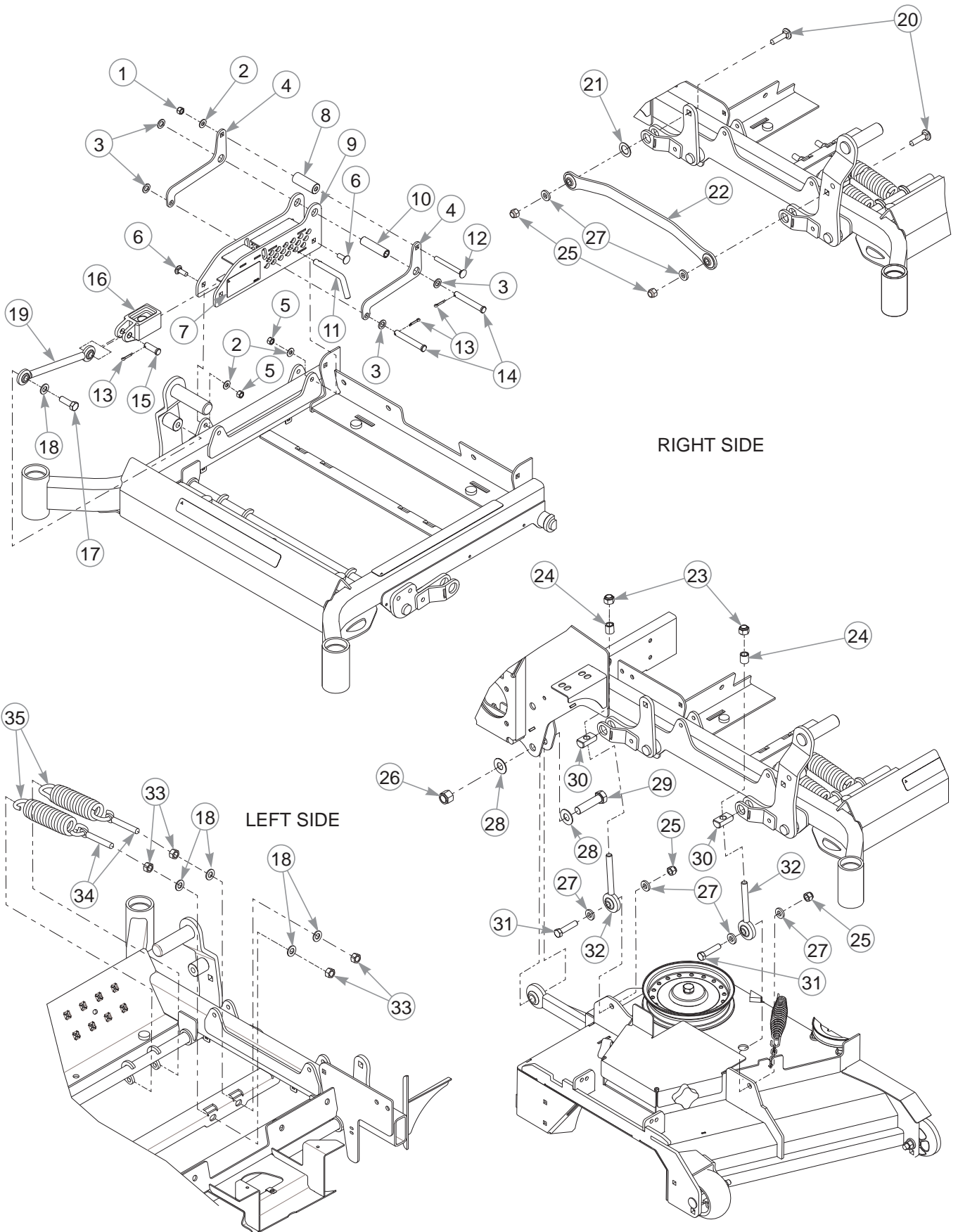
INDEX NO.	PART NO.	QTY.	DESCRIPTION
18	008193	3	NT .500-13 HX G5 ZNYC
19	767962	3	FW .531 X 1.063 X .175
20	602344	1	SPACER 5.73
21	602341	1	PLASTIC WHEEL
22	602338	1	CB .500-13 X 7.50 STD ZN
23	602345	2	SPACER 3.22
24	602263	2	PLASTIC WHEEL
25	603049	2	CB .500-13 X 5.00 ZNYC
26	795260	3	BLADE, F23.86"-H-F-CW
	793398	3	BLADE, 23.86"-MUL-F-CW
27	782474	3	CW .631 X 2.25 X .187 PNT
28	781872	3	CS .625-11 X 1.25 HX G5 Z

---

### **NOTES:**

3. Torque to 118 ft-lbs.

# Deck Lift



---

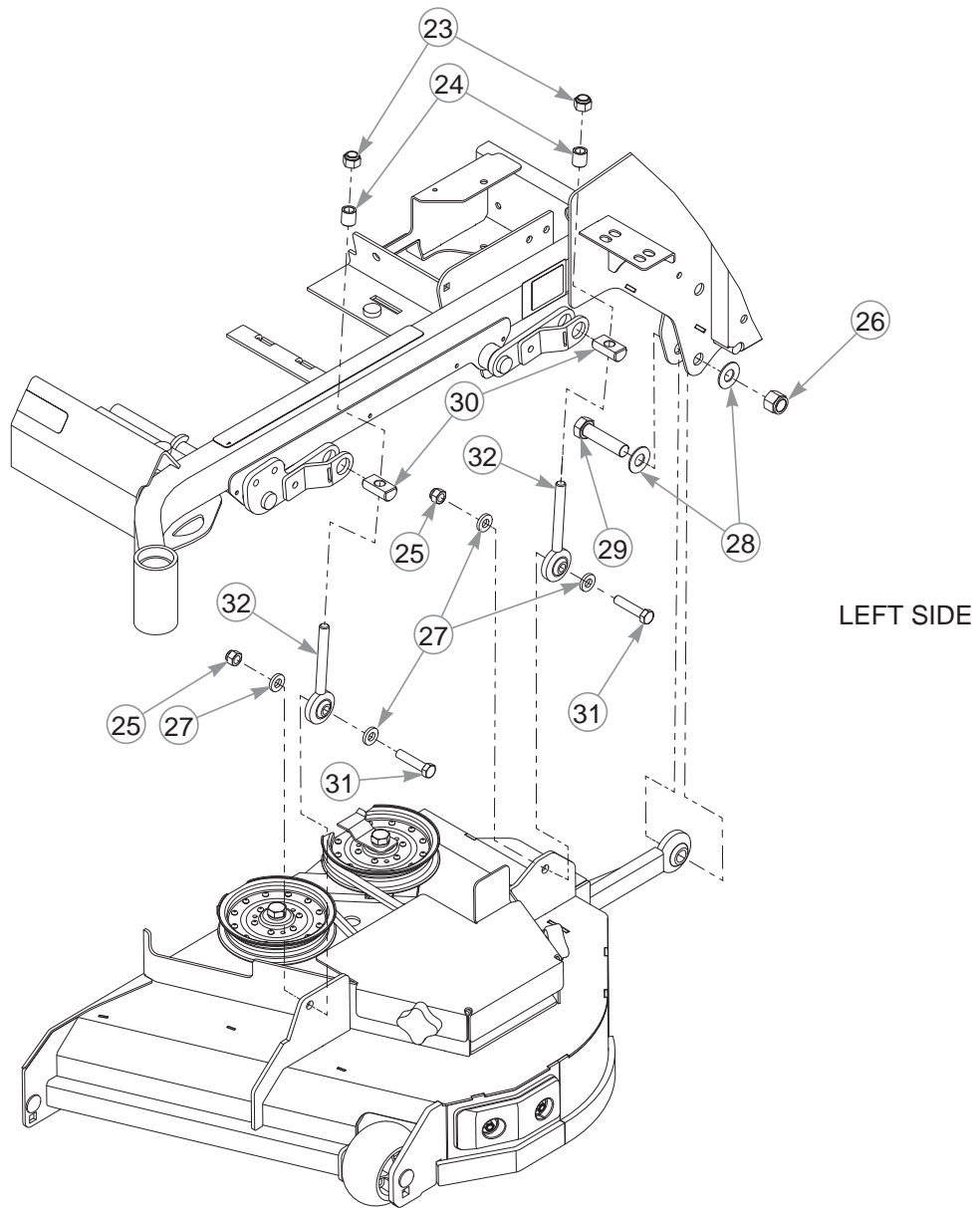
## **Deck Lift**

INDEX NO.	PART NO.	QTY.	DESCRIPTION
1	086660	1	NT .375-16 G5 NL
2	767954	5	FW .379 X .813 X .063
3	718288	4	FW .516 X .875 X .09 ZNYC
4	122993	2	LATCH ARM
5	054502	4	NT .375-16 HX G5
6	025395	4	CB .375-16 X 1.00 G5 ZNY
7	606452	1	DECK HEIGHT DECAL
8	117489	1	LATCH SPACER
9	553841	1	CUT HEIGHT INDICATOR (WITH DECAL)
10	604075	1	SPACER
11	604076	1	DECK HEIGHT STOP PIN
12	041848	1	CB .375-16 X 3.500 FUL Z
13	017251	3	CP .156D X 1.00 LG HML Z
14	025965	2	CE .500 X 3.50 .156 X 3.34
15	068056	1	CE .500 X 1.50 .150 X 1.32
16	604069	1	DECK LIFT SLIDER
17	074252	1	CS .500-13 X 1.50 HX G5
18	004168	5	FW .500 X 1.06 X .090 SAE
19	122994	1	DECK HEIGHT LINK
20	604253	2	CB .50-13 X 2.00 STD ZN
21	122996	1	LINK SPACER
22	122987	1	DECK LIFT LINK
23	606316	4	NT .563-18 NLGC
24	606292	4	DECK LEVEL SPACER
25	781567	6	NT .500-13 NL
26	061101	2	NT .750-10 HX ZY NL
27	767962	10	FW .531 X 1.063 X .175
28	025296	4	FW .760 X 1.625 X .08
29	789115	2	CS .750-10 X 3.50 HX G5
30	606291	4	DECK LEVEL PIVOT
31	761544	4	CS .500-13 X 2.25 HX G8
32	606290	4	DECK LEVEL ROD END
33	008193	4	NT .500-13 HX G5 ZNYC
34	606478	2	EB .500-13 X 3.00 FUL THD
35	606454	2	SPRING

---

### **NOTES:**

# Deck Lift

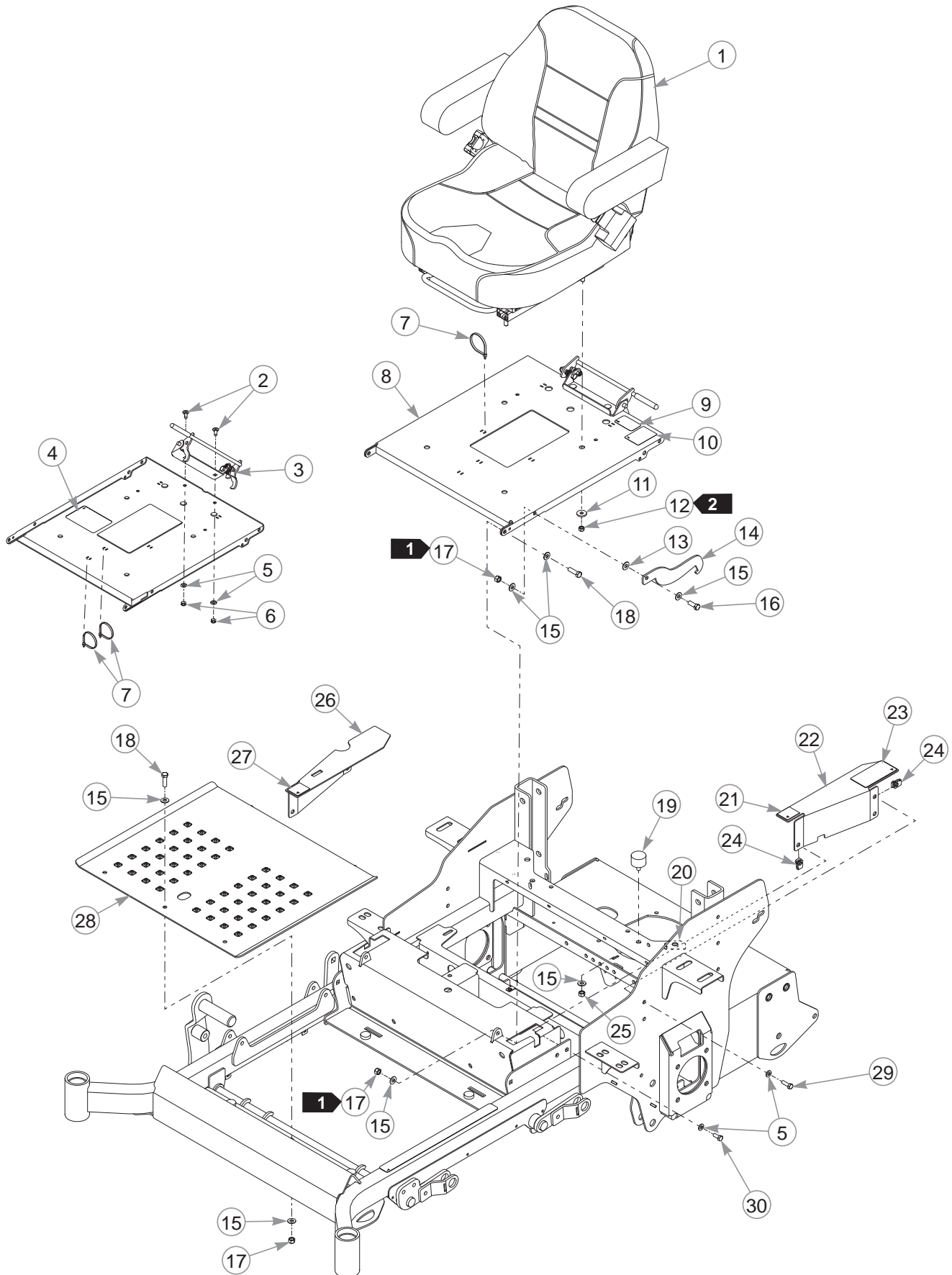


---

## Section 8

Seat . . . . .	8-2
Seat Service Parts . . . . .	8-4
ROPS . . . . .	8-6

# Seat





---

# Seat

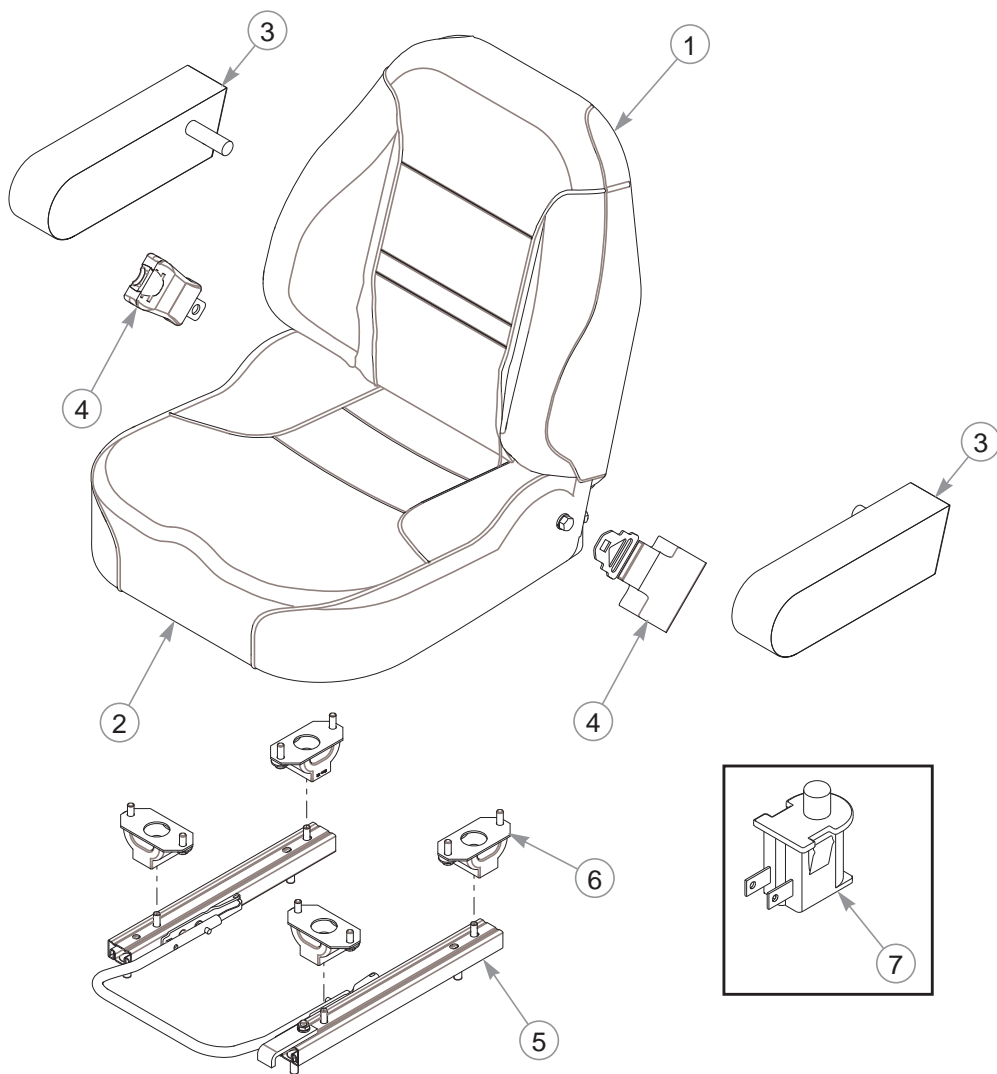
INDEX NO.	PART NO.	QTY.	DESCRIPTION
1	606474	1	SEAT
2	016253	2	CB .312-18 X .75 FUL ZN
3	605907	1	LATCH ASSEMBLY
4	601815	1	BATTERY WARNINGS DECAL
5	768523	7	FW .343 X .687 X .051/.080H
6	034272	2	NT .312-18 HX G5
7	000331	3	WIRE TIE
8	550815	1	SEAT PAN (WITH DECALS & INSTALLATION KIT)
9	605688	1	LEVEL FUEL FILL DECAL
10	785188	1	ARMREST WARNING DECAL
11	712927	4	FW .344 X 1.00 X .12 HRD Z
12	058776	4	NT .312-18 X 1.00 X .12 HRD Z
13	724716	2	FIBER WASHER
14	350421	1	SEAT PAN STOP
15	767954	10	FW .379 X .813 X .063
16	036244	1	CS .375-16 X 1.00 HX G5
17	086660	4	NT .375-16 HX G5 NL
18	052860	3	CS .375-16 X 1.25 HX G5
19	601650	2	VIBRATION MOUNT
20	791848	1	FUEL INDICATOR DECAL
21	785139	1	LS STEERING DECAL
22	550823	1	LS FRAME COVER (WITH DECALS)
23	600899	1	PUMP BELT WARNING DECAL
24	601069	5	CN .312-18 X .20 MAX THK
25	054502	2	NT .375-16 HX G5
26	550824	1	RS FRAME COVER (WITH DECAL)
27	785220	1	RS STEERING DECAL
28	606482	1	FLOOR PAN
29	036236	3	CS .312-18 X 1.00 HX G5
30	034280	2	CS .312-18 X .75 HX G5

---

## NOTES:

1. Do not torque; the seat pan and seat pan stop must pivot freely.
2. Torque to 17 ft-lbs.

# Seat Service Parts

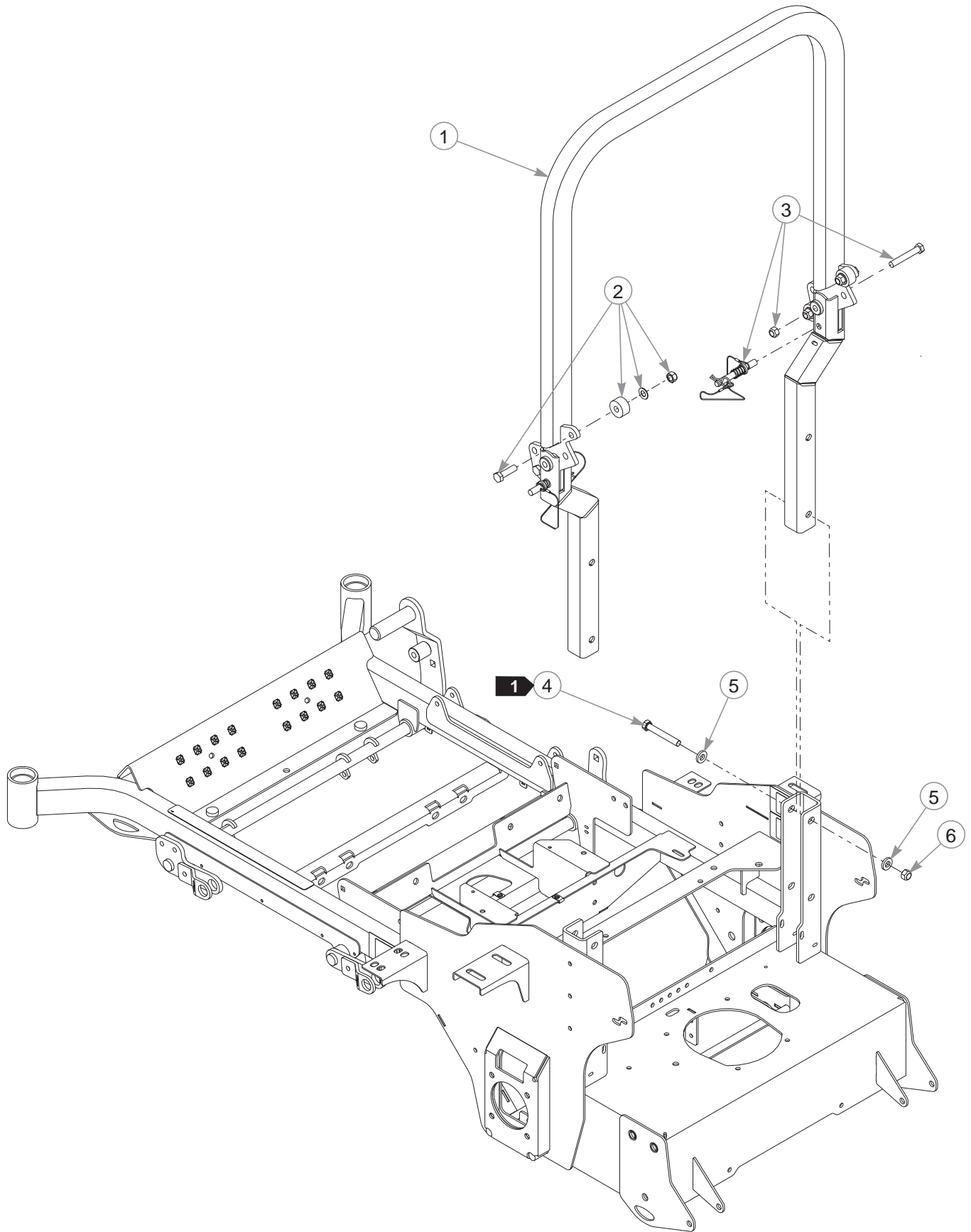


INDEX NO.	PART NO.	QTY.	DESCRIPTION
1	606572	1	SEAT BACK COVER
2	606571	1	SEAT BOTTOM COVER
3	605615	1	ARM REST (PAIR)
4	604945	1	SEAT BELT (SET)
5	606570	1	SLIDE
6	606569	4	ISO MOUNT
7	793315	1	SEAT SWITCH

## NOTES:

---

**This page intentionally left blank.**



---

# **ROPS**

INDEX NO.	PART NO.	QTY.	DESCRIPTION
1	605639	1	ROPS KIT
2	605731	2	POLY STOP KIT
3	605638	1	ROPS HARDWARE KIT
4	061812	4	CS .500-13 X 3.50 HX G5
5	767962	8	FW .531 X 1.063 X .175
6	023317	4	NT .500-13 UNT LK G8 ZN

---

## **NOTES:**

1. Torque to 73 ft-lbs.

