



MANITOU NORTH AMERICA, INC.

6401 IMPERIAL DRIVE
Waco, TX 76712-6803

***NOTE:** Manitou Forklift Manuals are continually updated and subject to change without prior notice. If your Forklift Mast Model or parts are not found in this manual, please contact your dealer or the Manitou North America Parts Department for the latest information and parts availability.*

**5800 SERIES
3 STAGE MAST
6000 LB. CAPACITY
MODELS K5801-K5838
S/N 580001 & ABOVE**

PARTS MANUAL

For Parts Orders contact your Manitou North America Dealer or call:
Manitou North America, Parts Dept. 800-425-3727 or (254) 799-0232
Parts Dept. Fax: (254) 867-6504 Website: www.manitou-na.com

GENERAL INFORMATION

The purpose of this catalog is to provide illustrations for identifying and ordering Mast components/parts. Because of the multitude of Mast Models and components utilized, the illustrations provide a general description and therefore may not show the *exact* shape or detail of the components/parts represented.

The Mast parts are identified by an Item Number on the illustration or picture page. Find the Item Number for the part desired, then locate that Item Number under the "Items" column following the illustration. The Part Number will be located directly to the right of the Item Number. Also provided is a part Description, Quantity of parts required and the mast Model number.

Most important when ordering parts, is providing the correct serial number as assigned to the mast at the factory. Keep accurate records of all modifications or improvements made to the mast after manufacture. (All Mast modifications must be authorized by K-D Manitou.) Notify the Parts Dept. of any changes that may affect your parts order.

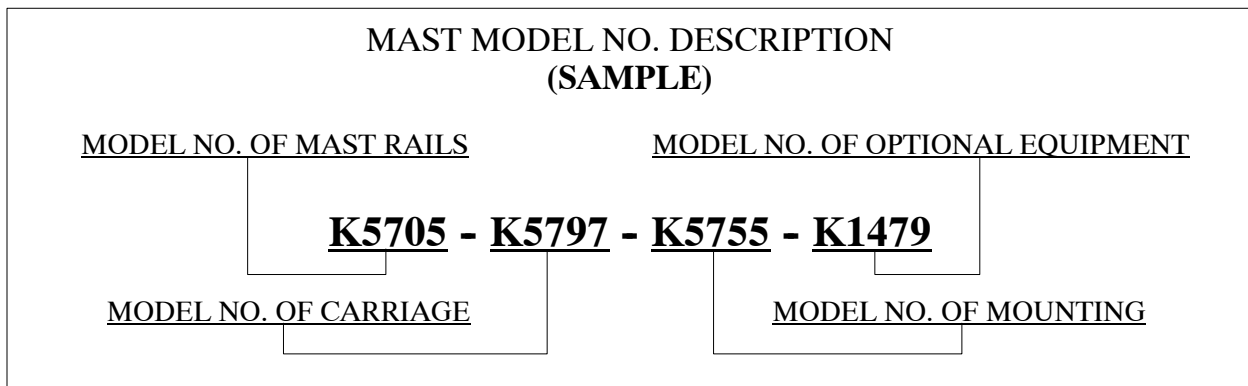
When ordering Mast parts or requesting technical information, the following numbers are required:

Mast Model Number: _____

Mast Serial Number: _____

For quick reference it is recommended these numbers be recorded as soon as possible.

The Mast Model Number is stamped on the Identification Plate located on the right side (as viewed from the driver's seat) of the Outer Rail, at or above eye level.

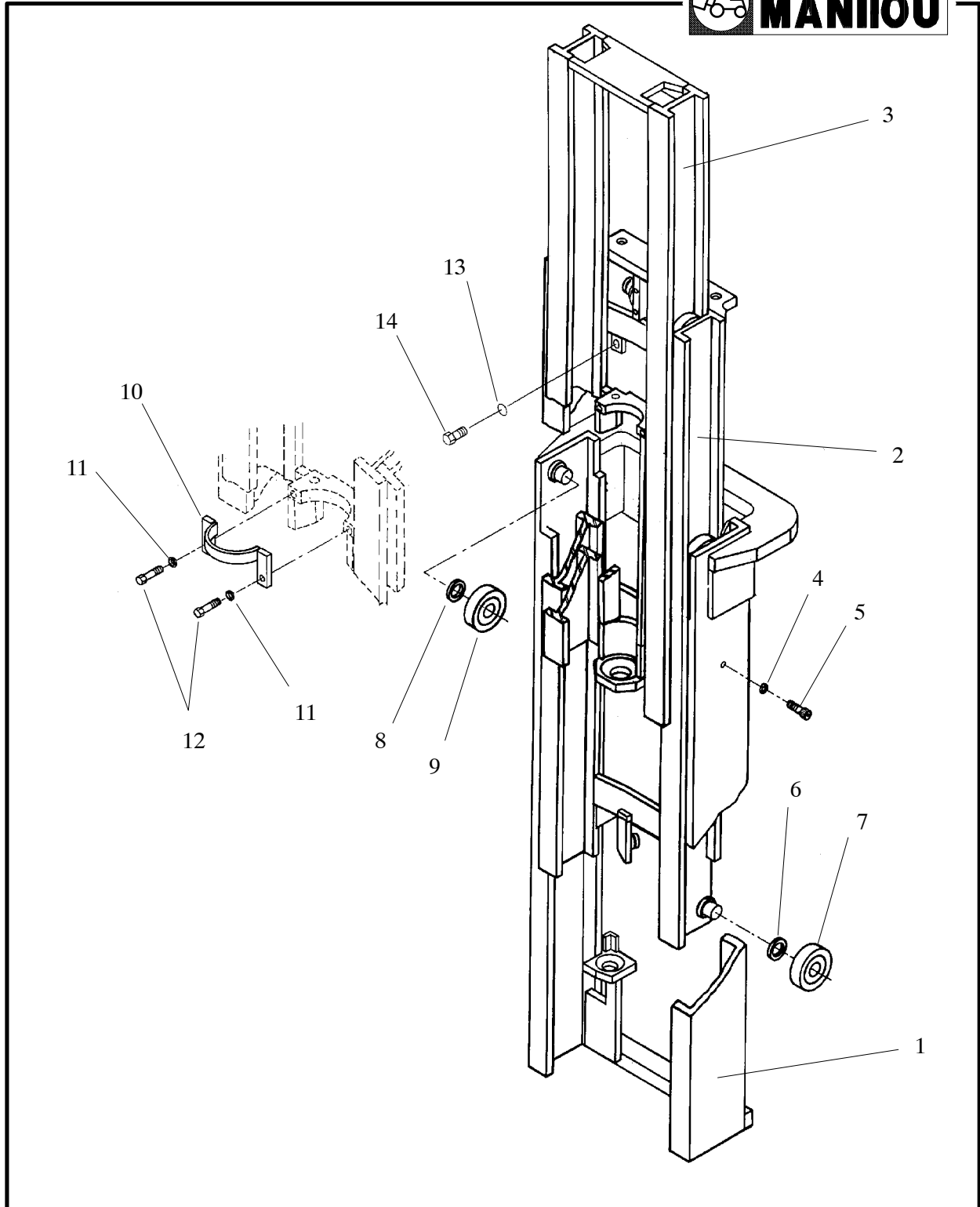


For Parts Orders contact your ***K-D Manitou Dealer*** or call:
K-D Manitou, Inc., Parts Department 1-800-425-3727 or (254) 799-0232.
Parts Dept. Fax: (254) 867-6504 Website: www.kdmanitou.com

CONTENTS

RAIL SYSTEM	2
PRIMARY CYLINDER	6
SECONDARY CYLINDER	10
PRIMARY CHAIN SYSTEM	14
SECONDARY CHAIN SYSTEM	16
HYDRAULIC SYSTEM	18
CARRIAGE, MODELS K5894, K5895, K5898 & K5899	20
HOSE KIT, MODELS K5776 (K5876)	22
HOSE KIT, MODELS K5777 (K5877)	24
MAST DECALS	SUPPLEMENT
PARTS INDEX	

RAIL SYSTEM



ITEM	PART NUMBER	DESCRIPTION	QTY	MODEL
1	R17605-2	Outer Rail Assembly	1	K5802, K5802B
1	R17605-3	Outer Rail Assembly	1	K5803A, K5803B
1	R17605-5	Outer Rail Assembly	1	K5805
1	R17605-6	Outer Rail Assembly	1	K5806, K5806A
1	R17605-8	Outer Rail Assembly	1	K5808, K5808B
1	R17605-9	Outer Rail Assembly	1	K5809A
1	R17605-10	Outer Rail Assembly	1	K5810
1	R17605-11	Outer Rail Assembly	1	K5811A
1	R17605-14	Outer Rail Assembly	1	K5814
1	R17605-15	Outer Rail Assembly	1	K5815A
1	R17605-20	Outer Rail Assembly	1	K5820A
1	R17605-48	Outer Rail Assembly	1	K5838
2	R17625-2	Intermediate Rail Assembly	1	K5802, K5802B
2	R17625-3	Intermediate Rail Assembly	1	K5803A, K5803B
2	R17625-5	Intermediate Rail Assembly	1	K5805
2	R17625-6	Intermediate Rail Assembly	1	K5806, K5806A
2	R17625-8	Intermediate Rail Assembly	1	K5808, K5808B
2	R17625-9	Intermediate Rail Assembly	1	K5809A
2	R17625-10	Intermediate Rail Assembly	1	K5810
2	R17625-11	Intermediate Rail Assembly	1	K5811A
2	R17625-14	Intermediate Rail Assembly	1	K5814
2	R17625-15	Intermediate Rail Assembly	1	K5815A
2	R17625-20	Intermediate Rail Assembly	1	K5820A
2	R17625-48	Intermediate Rail Assembly	1	K5838
3	R17650-2	Inner Rail Assembly	1	K5802, K5802B
3	R17650-3	Inner Rail Assembly	1	K5803A, K5803B
3	R17650-5	Inner Rail Assembly	1	K5805
3	R17650-6	Inner Rail Assembly	1	K5806, K5806A
3	R17650-8	Inner Rail Assembly	1	K5808, K5808B
3	R17650-9	Inner Rail Assembly	1	K5809A
3	R17650-10	Inner Rail Assembly	1	K5810
3	R17650-11	Inner Rail Assembly	1	K5811A
3	R17650-14	Inner Rail Assembly	1	K5814
3	R17650-15	Inner Rail Assembly	1	K5815A
3	R17650-20	Inner Rail Assembly	1	K5820A
3	R17650-48	Inner Rail Assembly	1	K5838

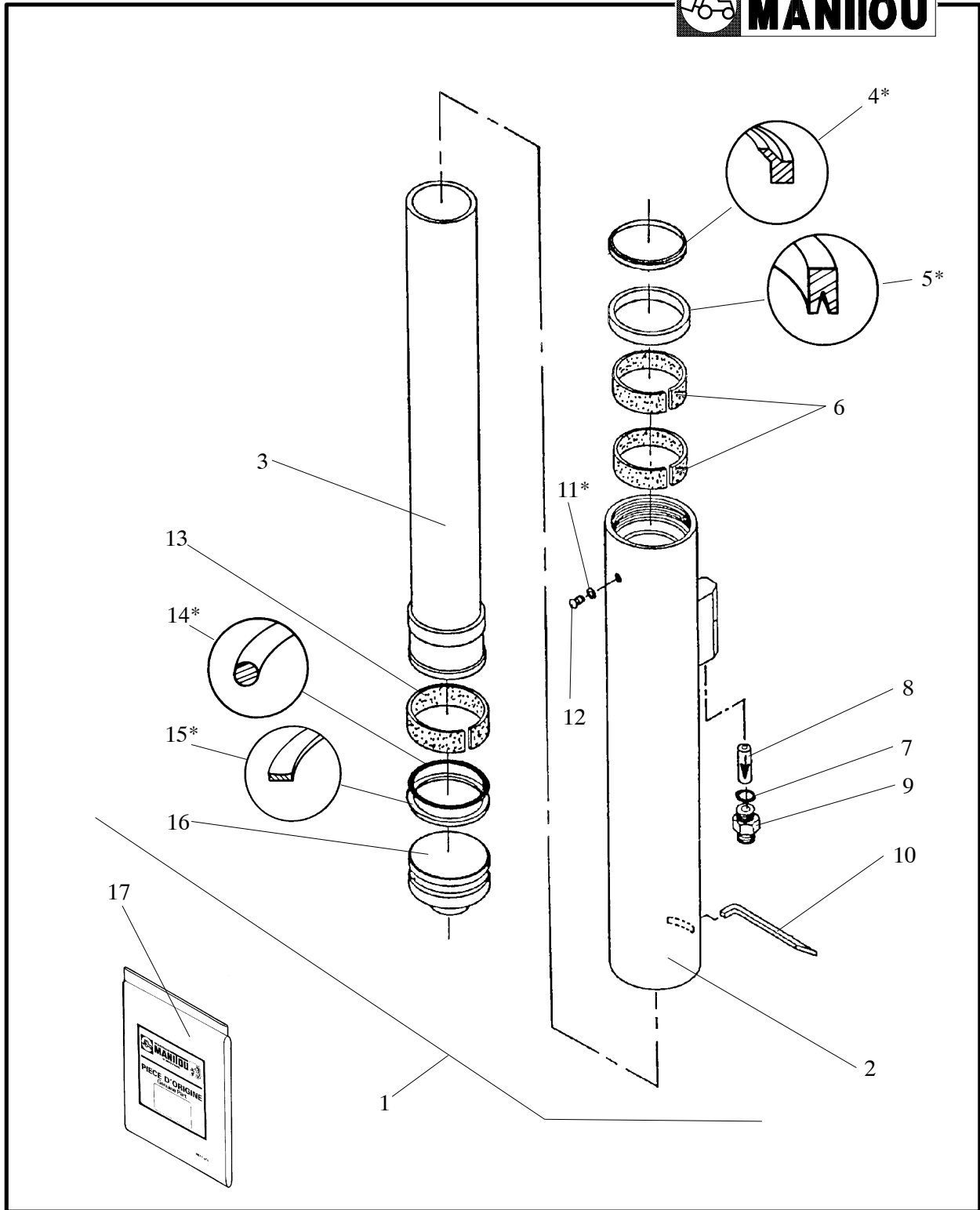
THIS PAGE LEFT BLANK INTENTIONALLY

ITEM	PART NUMBER	DESCRIPTION	QTY	MODEL
4	K34813	Washer, Lock	2	ALL
5	R9251	Screw, Socket Head	2	
6	R22	Shim	A/R	
7*	R2	Roller	2	
8	R206	Shim	A/R	
9**	R1	Roller	6	
10	R9155	Cylinder Retainer	1	
11	K34807	Washer, Lock	2	
12	K20388	Bolt, Hex	2	
13	B531	Shim	4	
14	K302240	Screw, Cap	2	

* Also available for replacement of R2 is a 0.015" Over-Sized Roller, order Part No. R446.

** Also available for replacement of R1 is a 0.015" Over-Sized Roller, order Part No. R442.

PRIMARY CYLINDER



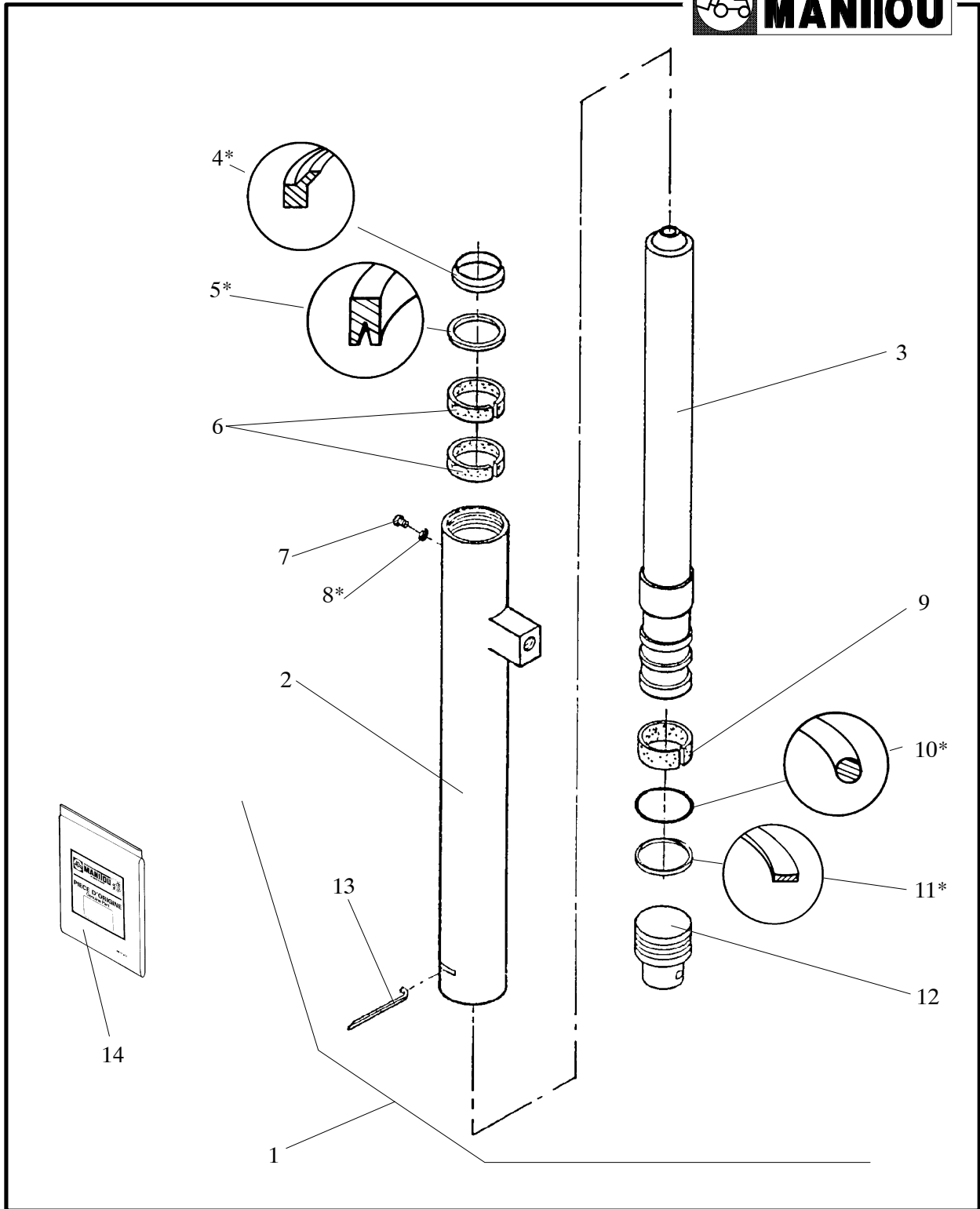
ITEM	PART NUMBER	DESCRIPTION	QTY	MODEL
1	R18265-52	Primary Cylinder Assembly	1	K5802, K5802B
1	R18265-53	Primary Cylinder Assembly	1	K5803A, K5803B
1	R18265-55	Primary Cylinder Assembly	1	K5805
1	R18265-56	Primary Cylinder Assembly	1	K5806, K5806A
1	R18265-58	Primary Cylinder Assembly	1	K5808, K5808B
1	R18265-59	Primary Cylinder Assembly	1	K5809A
1	R18625-60	Primary Cylinder Assembly	1	K5810
1	R18625-61	Primary Cylinder Assembly	1	K5811A
1	R18625-64	Primary Cylinder Assembly	1	K5814
1	R18625-65	Primary Cylinder Assembly	1	K5815A
1	R18625-70	Primary Cylinder Assembly	1	K5820A
1	R18625-88	Primary Cylinder Assembly	1	K5838
2	R18270-2	Barrel Assembly	1	K5802, K5802B
2	R18270-3	Barrel Assembly	1	K5803A, K5803B
2	R18270-5	Barrel Assembly	1	K5805
2	R18270-6	Barrel Assembly	1	K5806, K5806A
2	R18270-8	Barrel Assembly	1	K5808, K5808B
2	R18270-9	Barrel Assembly	1	K5809A
2	R18270-10	Barrel Assembly	1	K5810
2	R18270-11	Barrel Assembly	1	K5811A
2	R18270-14	Barrel Assembly	1	K5814
2	R18270-15	Barrel Assembly	1	K5815A
2	R18270-70	Barrel Assembly	1	K5820A
2	R18270-88	Barrel Assembly	1	K5838
3	R9085-52	Piston Assembly	1	K5802, K5802B
3	R9085-53	Piston Assembly	1	K5803A, K5803B
3	R9085-55	Piston Assembly	1	K5805
3	R9085-56	Piston Assembly	1	K5806, K5806A
3	R9085-58	Piston Assembly	1	K5808, B
3	R9085-59	Piston Assembly	1	K5809A
3	R9085-60	Piston Assembly	1	K5810
3	R9085-61	Piston Assembly	1	K5811A
3	R9085-64	Piston Assembly	1	K5814
3	R9085-65	Piston Assembly	1	K5815A
3	R9085-70	Piston Assembly	1	K5820A
3	R9085-48	Piston Assembly	1	K5838

THIS PAGE LEFT BLANK INTENTIONALLY

ITEM	PART NUMBER	DESCRIPTION	QTY	MODEL
4*	----	Wiper	1	ALL
5*	----	Seal	1	
6	R9012	Ring, Wear	2	
7	K910	O-Ring	1	
8	R8452	Protector, Flow	1	
9	K62-12-10	Connector, Male	1	
10	R2211-9	Lock Wire	1	
11*	----	Washer, Seal	1	
12	R2551	Screw, Button Head	1	
13	R9013	Ring, Wear	1	
14*	----	O-Ring	1	
15*	----	Ring, Back Up	1	
16	R9076	Base	1	
17	R18265K	Seal Kit	1	

* Denotes Items Included In Seal Kit R18265K (Item 17).

SECONDARY CYLINDER



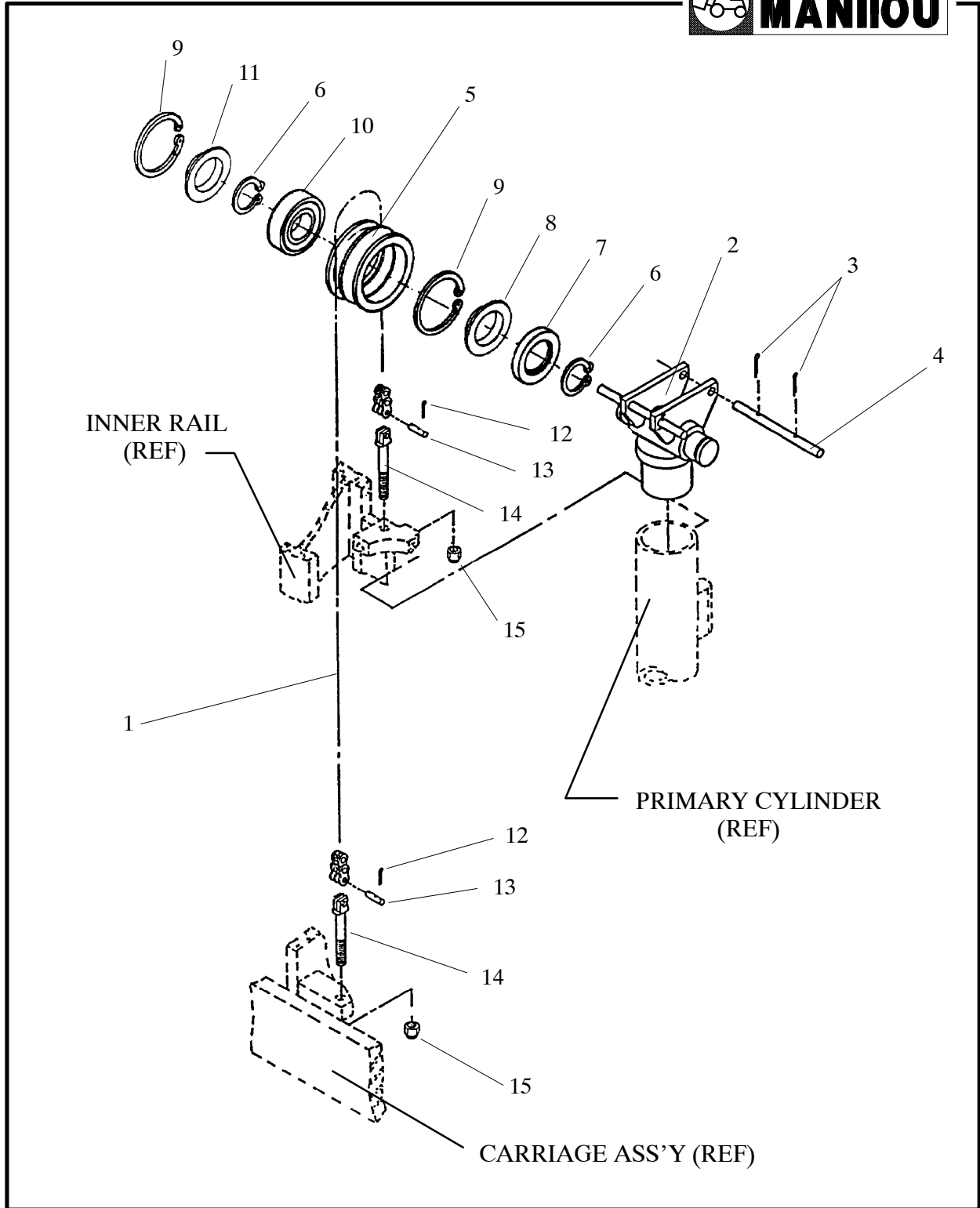
ITEM	PART NUMBER	DESCRIPTION	QTY	MODEL
1	R18275-52A	Secondary Cylinder Assembly	1	K5802
1	R18275-52B	Secondary Cylinder Assembly	1	K5802B
1	R18275-63	Secondary Cylinder Assembly	1	K5803A
1	R18275-53B	Secondary Cylinder Assembly	1	K5803B
1	R18275-55	Secondary Cylinder Assembly	1	K5805
1	R18275-56	Secondary Cylinder Assembly	1	K5806
1	R18275-64	Secondary Cylinder Assembly	1	K5806A
1	R18275-58A	Secondary Cylinder Assembly	1	K5808
1	R18275-58B	Secondary Cylinder Assembly	1	K5808B
1	R18275-65	Secondary Cylinder Assembly	1	K5809A
1	R18275-10	Secondary Cylinder Assembly	1	K5810
1	R18275-66	Secondary Cylinder Assembly	1	K5811A
1	R18275-14	Secondary Cylinder Assembly	1	K5814
1	R18275-67	Secondary Cylinder Assembly	1	K5815A
1	R18275-68	Secondary Cylinder Assembly	1	K5820A
1	R18275-88	Secondary Cylinder Assembly	1	K5838
2	R18280-2	Barrel Assembly	1	K5802, K5802B
2	R18280-3	Barrel Assembly	1	K5803A, K5803B
2	R18280-5	Barrel Assembly	1	K5805
2	R18280-6	Barrel Assembly	1	K5806, K5806A
2	R18280-8	Barrel Assembly	1	K5808, K5808B
2	R18280-9	Barrel Assembly	1	K5809A
2	R18280-10	Barrel Assembly	1	K5810
2	R18280-11	Barrel Assembly	1	K5811A
2	R18280-14	Barrel Assembly	1	K5814
2	R18280-15	Barrel Assembly	1	K5815A
2	R18280-20	Barrel Assembly	1	K5820A
2	R18280-48	Barrel Assembly	1	K5838
3	R9105-52A	Piston Assembly	1	K5802
3	R9105-52B	Piston Assembly	1	K5802B
3	R9105-69	Piston Assembly	1	K5803A
3	R9105-53B	Piston Assembly	1	K5803B
3	R9105-55	Piston Assembly	1	K5805
3	R9105-56	Piston Assembly	1	K5806
3	R9105-70	Piston Assembly	1	K5806A
3	R9105-58	Piston Assembly	1	K5808
3	R9105-58B	Piston Assembly	1	K5808B
3	R9105-71	Piston Assembly	1	K5809A

THIS PAGE LEFT BLANK INTENTIONALLY

ITEM	PART NUMBER	DESCRIPTION	QTY	MODEL
3	B9105-10	Piston Assembly	1	K5810
3	B9105-72	Piston Assembly	1	K5811A
3	R9105-14	Piston Assembly	1	K5814
3	R9105-73	Piston Assembly	1	K5815A
3	R9105-74	Piston Assembly	1	K5820A
3	R9105-88	Piston Assembly	1	K5838
4*	-----	Wiper	1	ALL
5*	-----	Seal	1	
6	R9037	Ring, Wear	2	
7	R2551	Screw, Button Head	1	
8*	-----	Washer, Seal	1	
9	R9038	Ring, Wear	1	
10*	-----	O-Ring	1	
11*	-----	Ring, Back Up	1	
12	R9096	Base	1	
13	R2211-8	Lock Wire	1	
14	R18275K	Seal Kit	1	

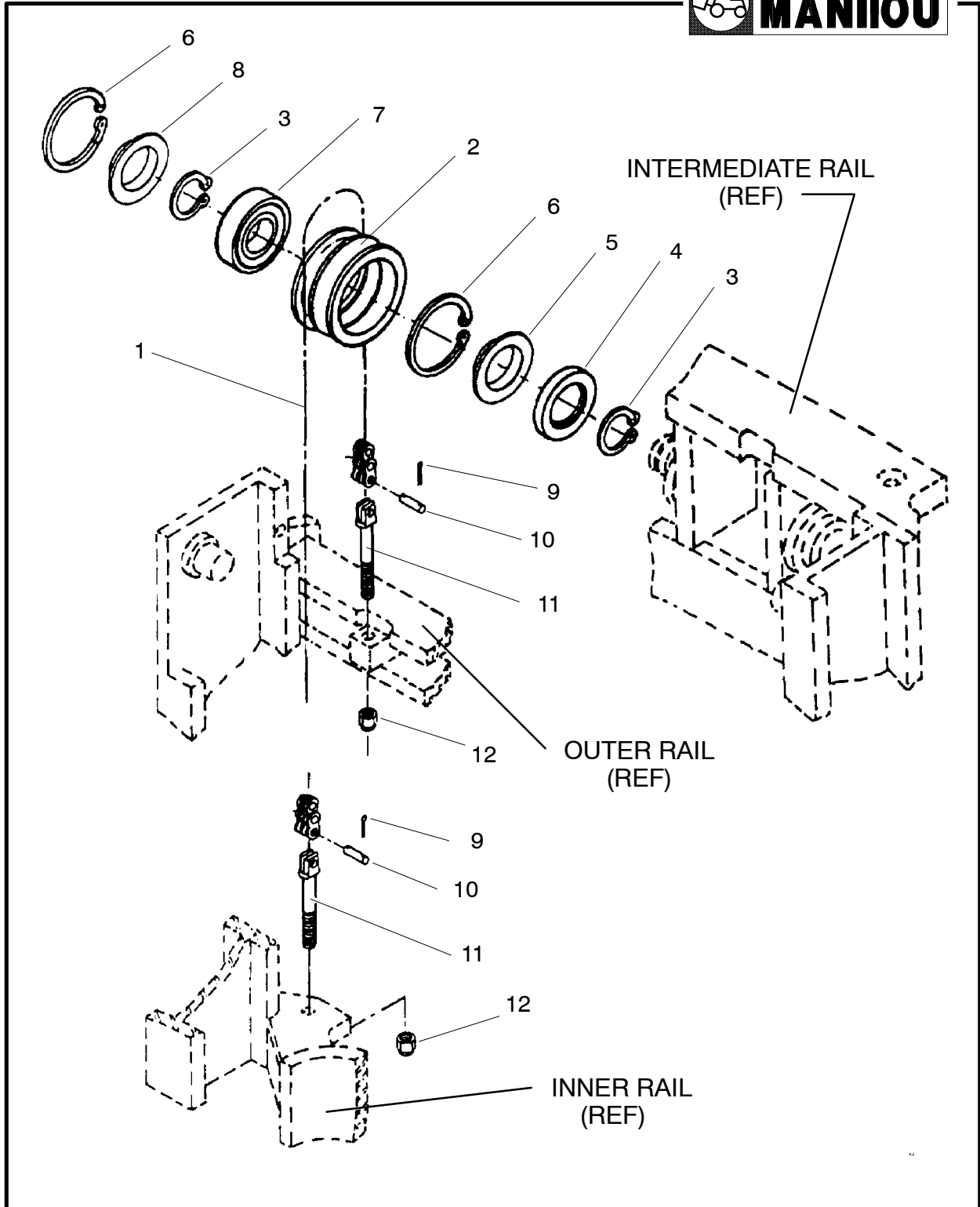
* Denotes Items Included In Seal Kit R18275K (Item 14).

PRIMARY CHAIN SYSTEM



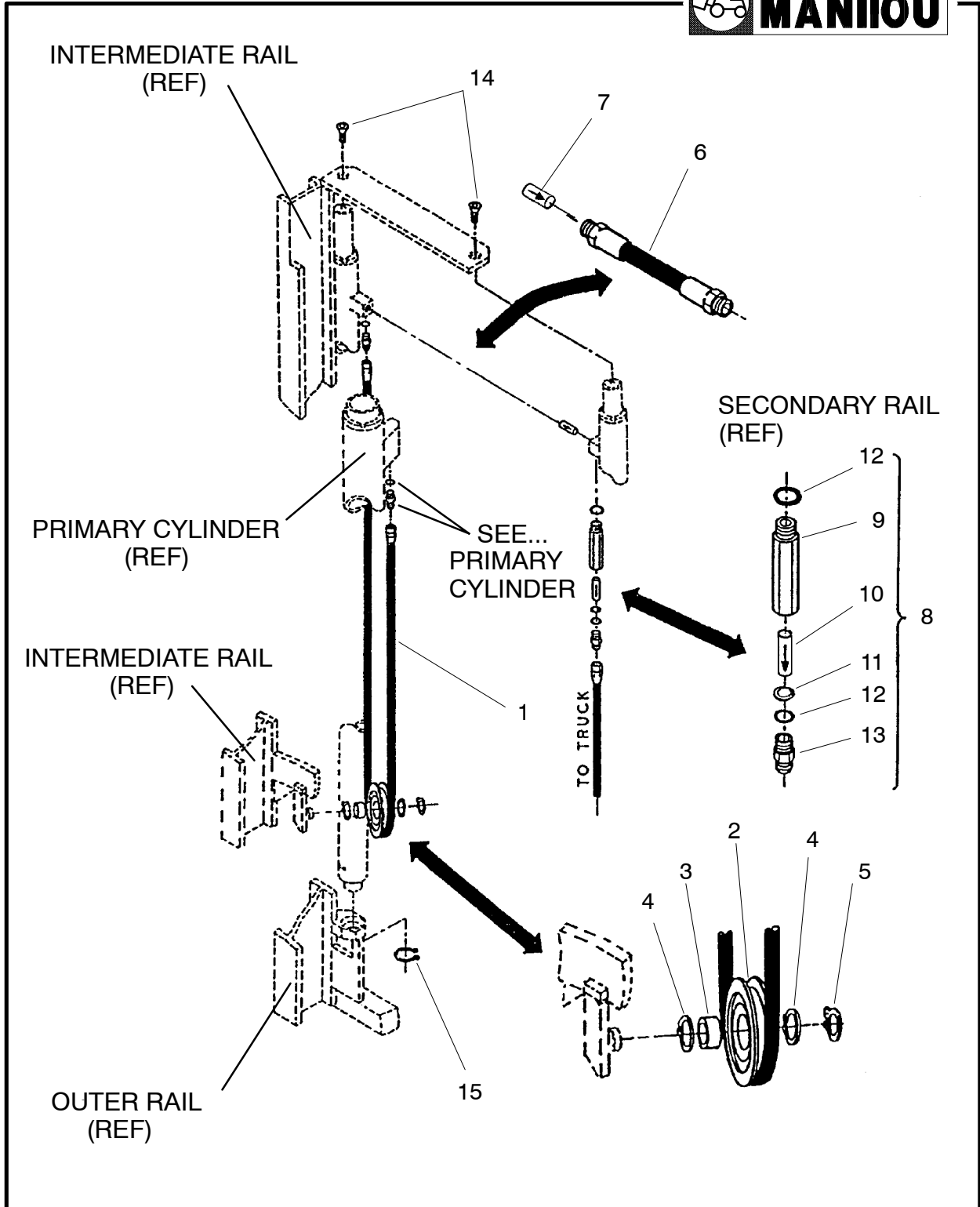
ITEM	PART NUMBER	DESCRIPTION	QTY	MODEL
1	R34-31A	Primary Chain	2	K5802, K5802B
1	R34-32A	Primary Chain	2	K5803A
1	R34-31A	Primary Chain	2	K5803B
1	R34-33A	Primary Chain	2	K5805
1	R34-34A	Primary Chain	2	K5806, K5806A
1	R34-35A	Primary Chain	2	K5808, K5808B
1	R34-36A	Primary Chain	2	K5809A
1	R34-37A	Primary Chain	2	K5810
1	R34-38A	Primary Chain	2	K5811A
1	R34-39A	Primary Chain	2	K5814
1	R34-40A	Primary Chain	2	K5815A
1	R34-42A	Primary Chain	2	K5838
1	R34-43A	Primary Chain	2	K5820A
2	R17660	Crosshead Ass'y	1	
3	K72053	Pin, Cotter	4	
4	R17643	Retainer, Chain	2	
5	R9153	Roller, Chain	2	
6	K97538	Ring, Snap	4	
7	R17658	Spacer	2	
8	R9094	Seal, Oil	2	
9	R9089	Ring, Snap	4	
10	R9098	Bearing	2	
11	R9099	Shield, Grease	2	
12	K72004	Pin, Cotter	8	
13	R9054	Pin, Chain	4	
14	R9053	Anchor, Chain	4	
15	R227	Nut, Hex	4	

SECONDARY CHAIN SYSTEM



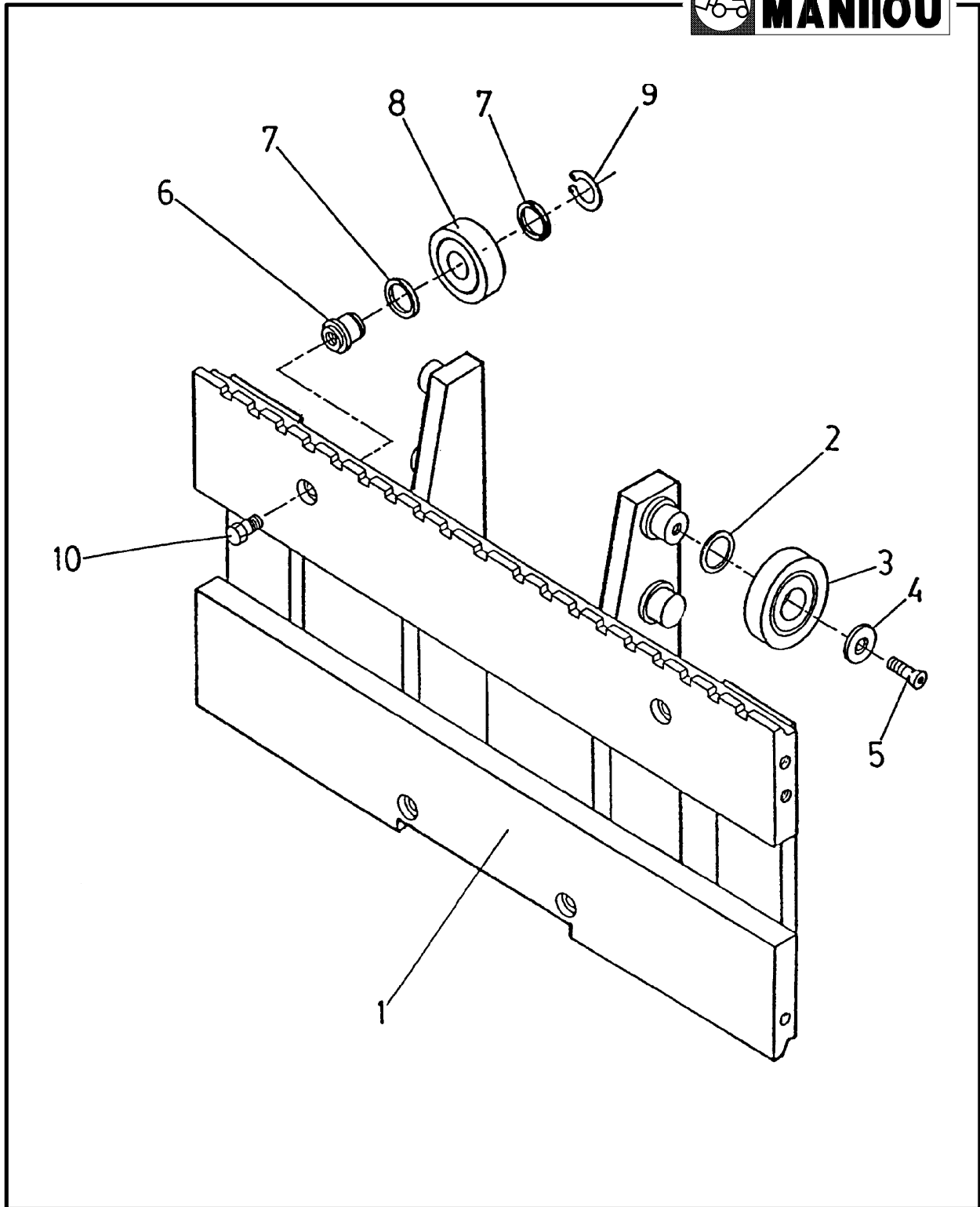
ITEM	PART NUMBER	DESCRIPTION	QTY	MODEL
1	R34-18A	Secondary Chain	2	K5802, K5802B
1	R34-48A	Secondary Chain	2	K5803A
1	R34-18A	Secondary Chain	2	K5803B
1	R34-29A	Secondary Chain	2	K5805
1	R34-49A	Secondary Chain	2	K5806, K5806A
1	R34-51A	Secondary Chain	2	K5808, B
1	R34-7A	Secondary Chain	2	K5809A
1	R34-7A	Secondary Chain	2	K5810
1	R34-53A	Secondary Chain	2	K5811A
1	R34-30A	Secondary Chain	2	K5814
1	R34-8A	Secondary Chain	2	K5815A
1	R34-59A	Secondary Chain	2	K5820A
1	R34-53A	Secondary Chain	2	K5838
2	R9153	Roller, Chain	2	
3	K97538	Ring, Snap	2	
4	R17658	Spacer	2	
5	R9094	Seal, Oil	2	
6	R9089	Ring, Snap	4	
7	R9098	Bearing	2	
8	R9099	Shield, Grease	2	
9	K72004	Pin, Cotter	8	
10	R9054	Pin, Chain	4	
11	R9053	Anchor, Chain	4	
12	R227	Nut, Hex	4	

HYDRAULIC SYSTEM



ITEM	PART NUMBER	DESCRIPTION	QTY	MODEL
1	B760-1033	Hose Assembly	1	K5802, K5802B
1	B760-1034	Hose Assembly	1	K5803A
1	B760-1033	Hose Assembly	1	K5803B
1	B760-1036	Hose Assembly	1	K5805
1	B760-1037	Hose Assembly	1	K5806, K5806A
1	B760-1039	Hose Assembly	1	K5808, B
1	B760-1040	Hose Assembly	1	K5809A
1	B760-1041	Hose Assembly	1	K5810
1	B760-1042	Hose Assembly	1	K5811A
1	B760-1045	Hose Assembly	1	K5814
1	B760-1046	Hose Assembly	1	K5815A
1	B760-1051	Hose Assembly	1	K5820A
1	B760-1041	Hose Assembly	1	K5838
2	R12367	Hose Sheave	1	
3	R2362	Bearing	1	
4	R7332	Ring, Snap	2	
5	R7333	Ring, Snap	1	
6	R19511	Hose Assembly	1	
7	R9042	Protector, Flow	1	
8	R12390	Regulator, Flow Assembly	1	
9	R13396	Body, Flow Regulator	1	
10	R9417	Regulator, Flow	1	
11	K97615	Ring, Snap	1	
12	K912	O-Ring	2	
13	K62-12	Adapter	1	
14	R4858	Screw, Flat Head	2	
15	K97537	Ring, Snap	2	

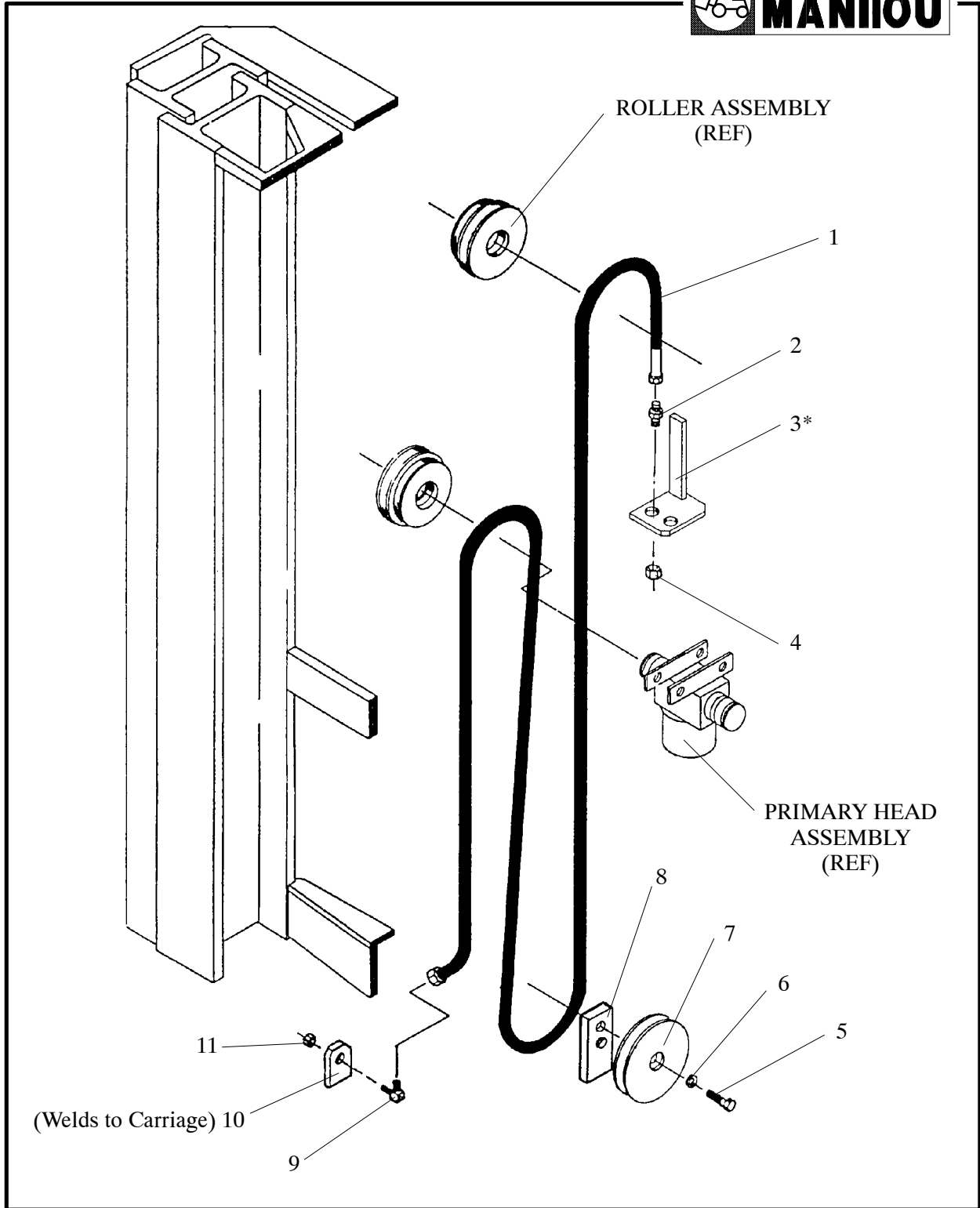
CARRIAGE, MODELS K5894, K5895, K5898 & K5899



ITEM	PART NUMBER	DESCRIPTION	QTY	MODEL
1	R17665-3	Carriage Weldment	1	K5893
1	R17665-1	Carriage Weldment	1	K5894
1	R17665-2	Carriage Weldment	1	K5895
1	R20655-1	Carriage Weldment	1	K5898
1	R12770-1	Carriage Weldment	1	K5899
2	R206	Shim	A/R	
3*	R1	Roller	6	
4	R2389	Washer	2	
5	R1811	Screw, Socket Head	2	
6	R3561	Shaft, Eccentric	4	
7	R206	Shim	8	
8	R3595	Roller Assembly	4	
9	K97535	Ring, Snap	4	
10	R3564	Bolt, Lock	4	

* Also available for replacement of R1 is a 0.015" Over-Sized Roller, order Part No. R442.

HOSE KIT, MODEL K5776 (K5876)

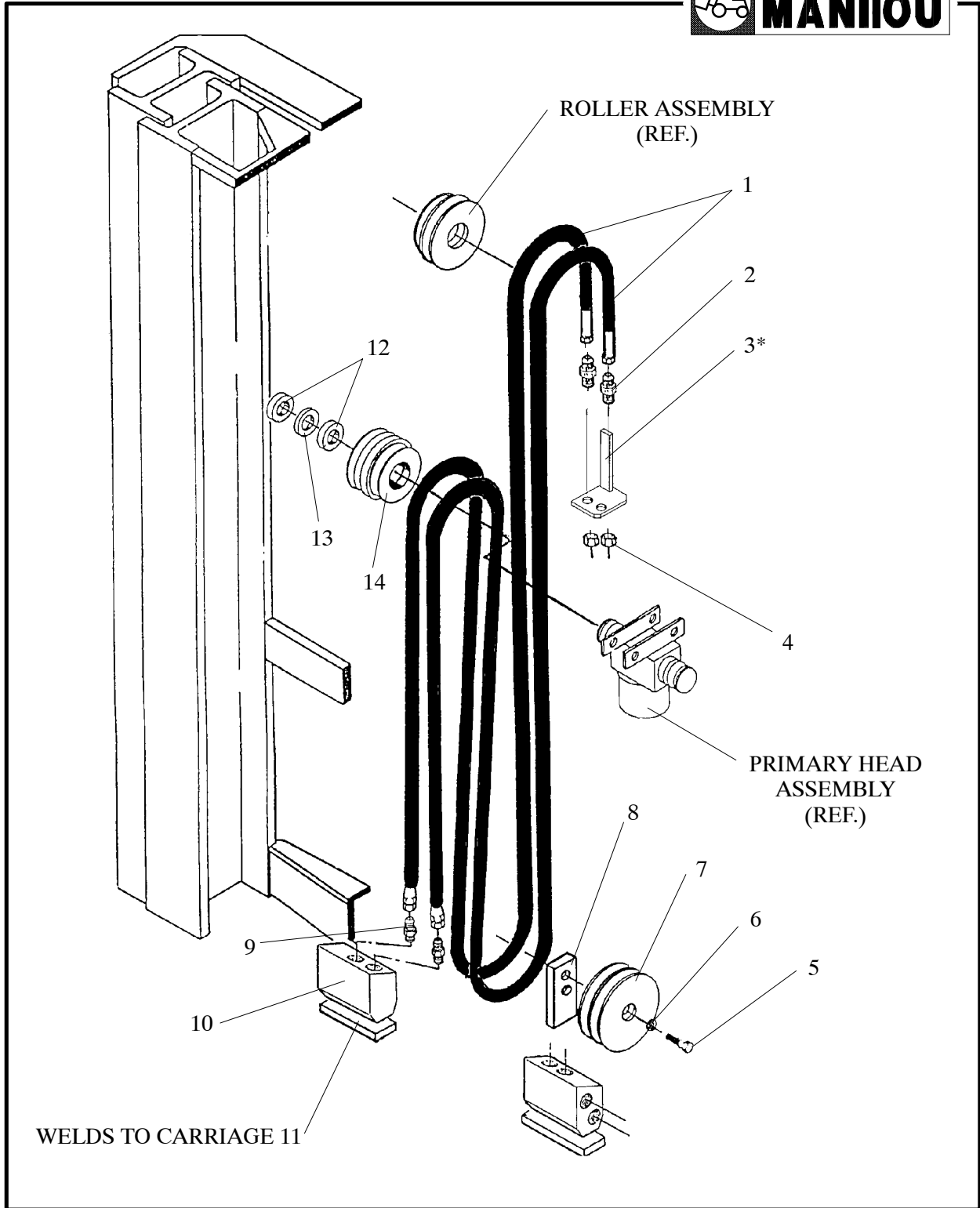


ITEM	PART NUMBER	DESCRIPTION	QTY	MODEL
	K5776-2	Hose Kit Assembly	1	K5702
	K5776-5	Hose Kit Assembly	1	K5705
	K5776-6	Hose Kit Assembly	1	K5706
	K5776-8	Hose Kit Assembly	1	K5708
	K5776-9	Hose Kit Assembly	1	K5709
	K5776-10	Hose Kit Assembly	1	K5710
	K5776-13	Hose Kit Assembly	1	K5713
	K5776-14	Hose Kit Assembly	1	K5714
	K5776-19	Hose Kit Assembly	1	K5719
	K5776-30	Hose Kit Assembly	1	K5730
1*	B760-1368	Hose Assembly	1	K5702
1*	B760-1371	Hose Assembly	1	K5705
1*	B760-1372	Hose Assembly	1	K5706
1*	B760-1374	Hose Assembly	1	K5708
1*	B760-1376	Hose Assembly	1	K5710
1*	B760-1396	Hose Assembly	1	K5730
1**	B760-1568	Hose Assembly	1	K5702
1**	B760-1571	Hose Assembly	1	K5705
1**	B760-1572	Hose Assembly	1	K5706
1**	B760-1574	Hose Assembly	1	K5708
1**	B760-1575	Hose Assembly	1	K5709
1**	B760-1576	Hose Assembly	1	K5710
1**	B760-1579	Hose Assembly	1	K5713
1**	B760-1580	Hose Assembly	1	K5714
1**	B760-1585	Hose Assembly	1	K5719
1**	B760-1596	Hose Assembly	1	K5730
2	K104-6	Fitting	2	
3*	R19630L	Hose Anchor (Shown)	1	
3*	R19630R	Hose Anchor (Opposite Side)	1	
4	K52-6	Nut	4	
5	K20388	Hex Bolt	2	
6	K34807	Lock Washer 3/8	2	
7	R9154	Hose Guide	1	
8	R17641	Turn Around Plate	2	
10	R17671	Hose Anchor	2	
11	K108-6	Fitting, 90 ⁰ Elbow	2	

* For use with Serial Numbers 580010 & below.

** For use with Serial Numbers 580011 & above.

HOSE KIT, MODEL K5777 (K5877)

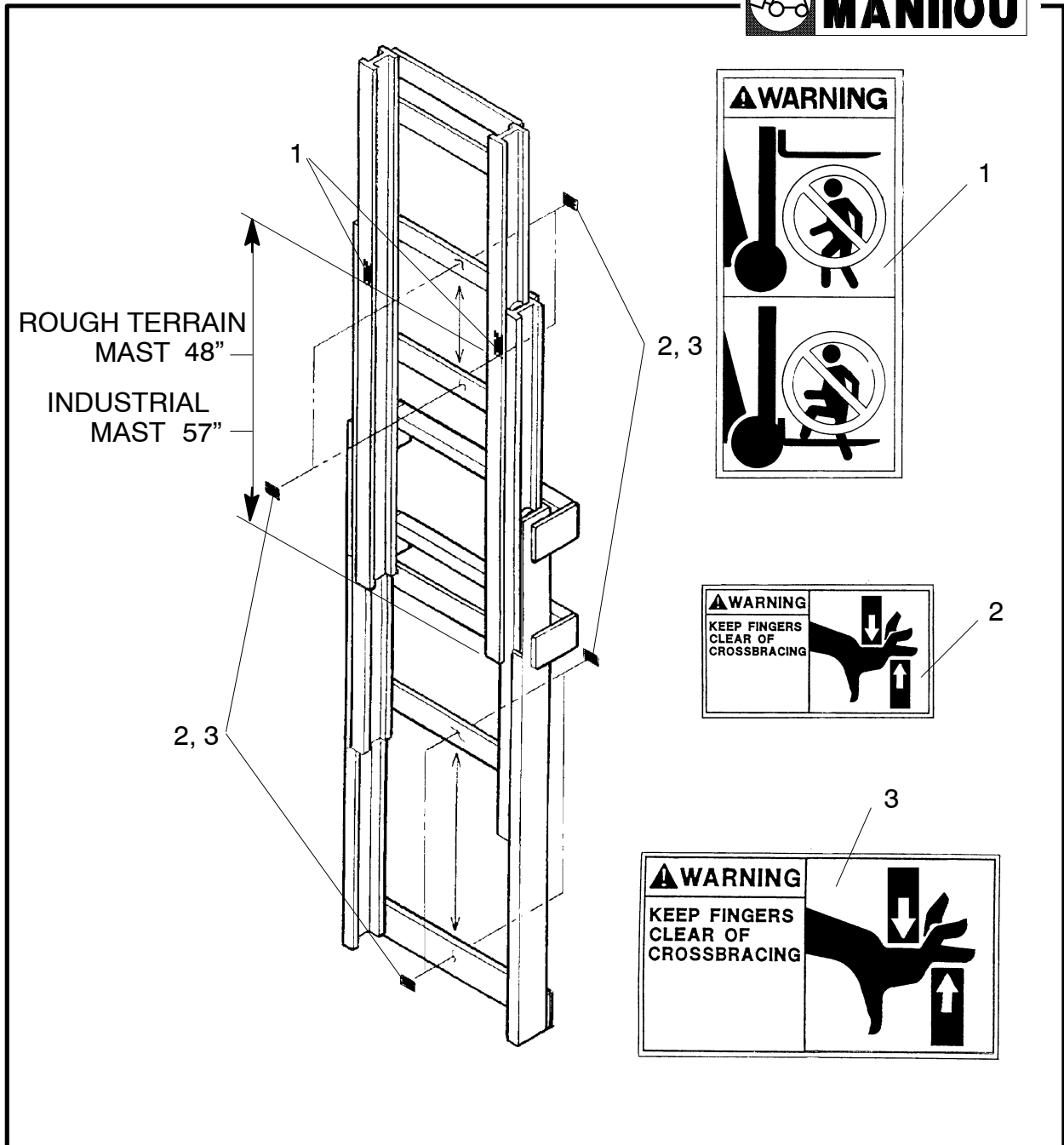


ITEM	PART NUMBER	DESCRIPTION	QTY	MODEL
	K5777-8	Hose Kit	1	K5708
	K5777-11	Hose Kit	1	K5711
	K5777-13	Hose Kit	1	K5713
	K5777-14	Hose Kit	1	K5714
	K5777-38	Hose Kit	1	K5738
1*	B760-1374	Hose Assembly	1	K5708
1*	B760-1377	Hose Assembly	1	K5711
1*	B760-1455	Hose Assembly	1	K5738
1**	B760-1574	Hose Assembly	1	K5708
1**	B760-1577	Hose Assembly	1	K5711
1**	B760-1579	Hose Assembly	1	K5713
1**	B760-1580	Hose Assembly	1	K5714
1**	B760-1602	Hose Assembly	1	K5738
2	K104-6	St. Bulkhead	4	
3*	R19630L	Hose Anchor (Shown)	1	
3*	R19630R	Hose Anchor (Opposite Side)	1	
4	K52-6	Nut	4	
5	K34807	Lockwasher	2	
6	K20388	Hex Bolt	2	
7	R18963	Hose Sheave	2	
8	R17641	Turn Around Plate	2	
9	K62-6	Connector	4	
10	R14028	R.H. Manifold (Shown)	1	
10	R14029	L.H. Manifold (Opposite Side)	1	
11	R4613-3	Bar	2	
12	R18962	Spacer	4	
13	R9098	Bearing	4	
14	R18964	Chain Roller	4	

* For use with Serial Numbers 580010 & below.

** For use with Serial Numbers 580011 & above.

DECALS



ITEM	PART NUMBER	DESCRIPTION	QTY	MODEL
1	426641	Decal, "Fork Safety"	2	ALL
2	426642	Decal, "Pinch Point" (Small)	A/R	
3	426643	Decal, "Pinch Point" (Large)	A/R	

PARTS INDEX

PART NO., PAGE

B

B531, 5
B760-, 19, 23, 25

K

K104-6, 23, 25
K108-6, 23
K20388, 5, 23, 25
K302240, 5
K34807, 5, 23, 25
K34813, 5
K52-6, 23, 25
K5776-, 23
K5777-, 25
K62-12, 19
K62-12-10, 9
K62-6, 25
K72004, 15, 17
K72053, 15
K910, 9
K912, 19
K97535, 21
K97537, 19
K97538, 15, 17
K97615, 19

R

R1, 5, 21

R12367, 19
R12390, 19
R12770-1, 21
R13396, 19
R14028, 25
R14029, 25
R17605-, 3
R17625-, 3
R17641, 23, 25
R17643, 15
R17650-, 3
R17658, 15, 17
R17660, 15
R17665-1, 21
R17665-2, 21
R17671, 23
R1811, 21
R18265K, 9
R18270-, 7
R18275-, 11
R18275K, 13
R18280-, 11
R18625-, 7
R18962, 25
R18963, 25
R18964, 25
R19511, 19
R19630L, 23, 25
R19630R, 23, 25
R2, 5
R206, 5, 21
R20655-1, 21
R22, 5
R2211-8, 13
R2211-9, 9
R227, 15, 17
R2362, 19
R2389, 21
R2551, 9, 13
R34-, 15, 17
R3561, 21
R3564, 21
R3595, 21
R4613-3, 25
R4858, 19
R7332, 19
R7333, 19
R8452, 9
R9012, 9
R9013, 9
R9037, 13
R9038, 13
R9042, 19
R9053, 15, 17
R9054, 15, 17
R9076, 9
R9085-, 7
R9089, 15, 17
R9094, 15, 17
R9096, 13
R9098, 15, 17, 25
R9099, 15, 17
R9105, 13
R9105-, 11
R9153, 15, 17
R9154, 23
R9155, 5
R9251, 5
R9417, 19