



MANITOU NORTH AMERICA, INC.

6401 IMPERIAL DRIVE
Waco, TX 76712-6803

***NOTE:** Manitou Forklift Manuals are continually updated and subject to change without prior notice. If your Forklift Mast Model or parts are not found in this manual, please contact your dealer or the Manitou North America Parts Department for the latest information and parts availability.*

**7900 & 7900A
SERIES
3 STAGE MAST
6,200 lb. CAPACITY
MODELS K7901-K7920
S/N 790001 & ABOVE**

PARTS MANUAL

For Parts Orders contact your Manitou North America Dealer or call:
Manitou North America, Parts Dept. 800-425-3727 or (254) 799-0232
Parts Dept. Fax: (254) 867-6504 Website: www.manitou-na.com

GENERAL INFORMATION

The purpose of this catalog is to provide illustrations for identifying and ordering Mast components/parts. Because of the multitude of Mast Models and components utilized, the illustrations provide a general description and therefore may not show the *exact* shape or detail of the components/parts represented.

The Mast parts are identified by an Item Number on the illustration or picture page. Find the Item Number for the part desired, then locate that Item Number under the "Items" column following the illustration. The Part Number will be located directly to the right of the Item Number. Also provided is a part Description, Quantity of parts required and the mast Model number.

Most important when ordering parts, is providing the correct serial number as assigned to the mast at the factory. Keep accurate records of all modifications or improvements made to the mast after manufacture. (All Mast modifications must be authorized by K-D Manitou.) Notify the Parts Dept. of any changes that may affect your parts order.

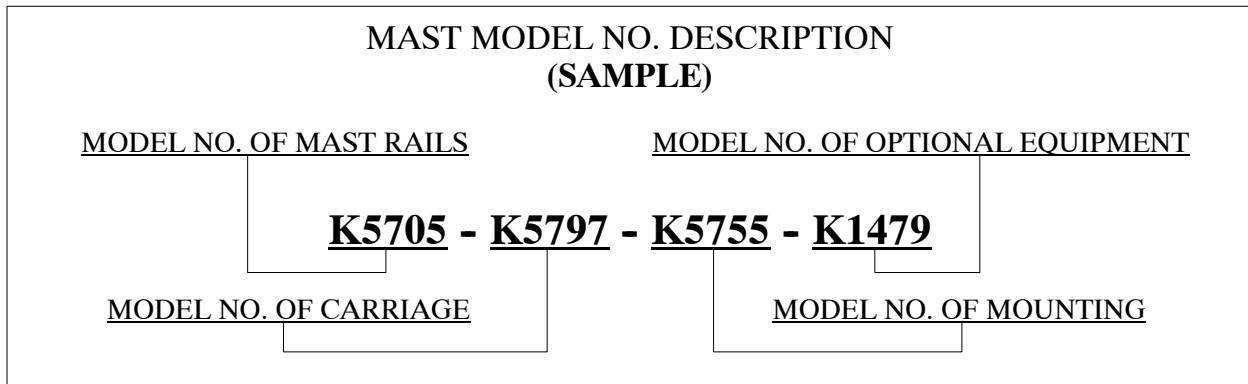
When ordering Mast parts or requesting technical information, the following numbers are required:

Mast Model Number: _____

Mast Serial Number: _____

For quick reference it is recommended these numbers be recorded as soon as possible.

The Mast Model Number is stamped on the Identification Plate located on the right side (as viewed from the driver's seat) of the Outer Rail, at or above eye level.

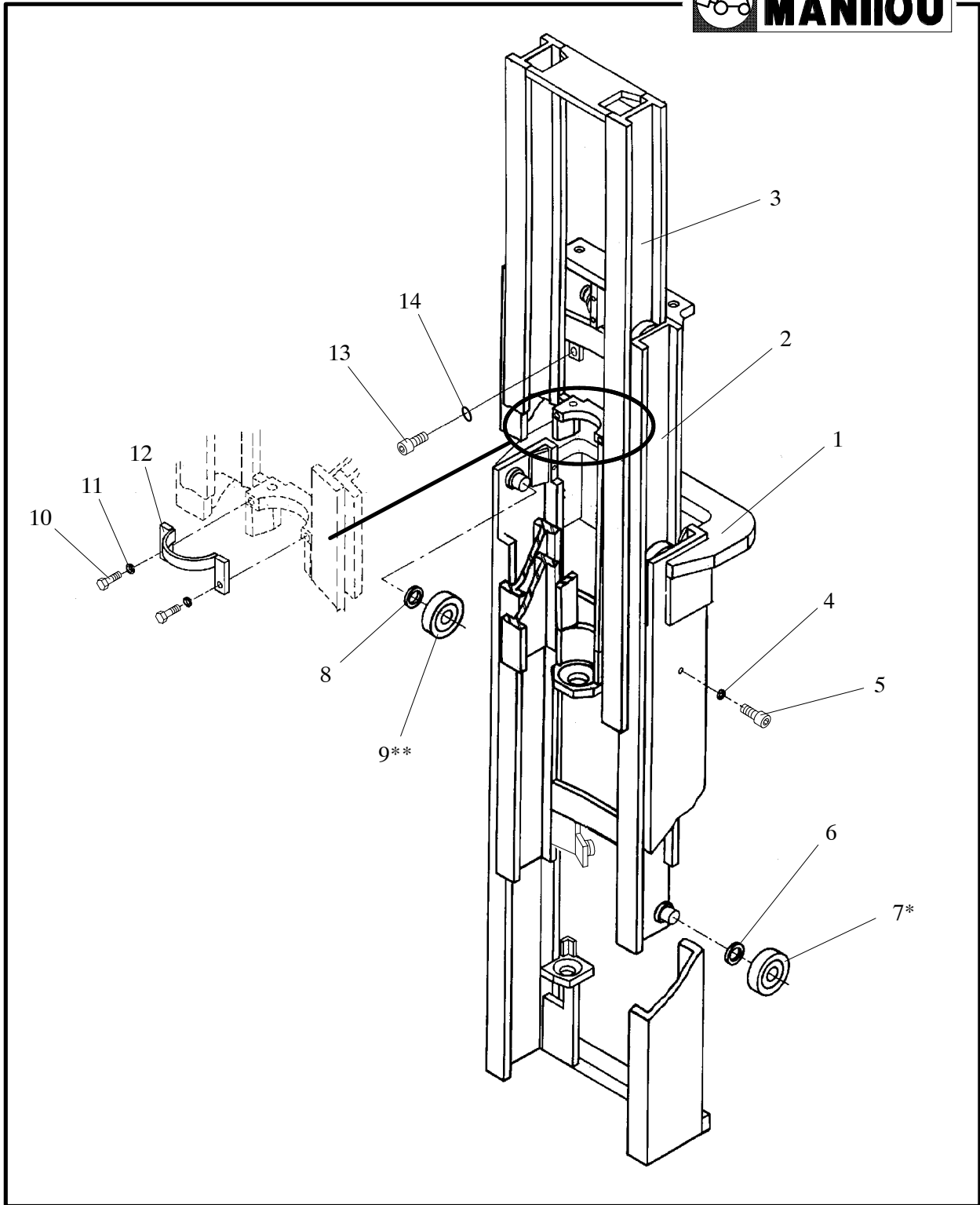


For Parts Orders contact your ***K-D Manitou Dealer*** or call:
K-D Manitou, Inc., Parts Department 1-800-425-3727 or (254) 799-0232.
Parts Dept. Fax: (254) 867-6504 Website: www.kdmanitou.com

CONTENTS

RAIL SYSTEM	2
PRIMARY CYLINDER	4
SECONDARY CYLINDER	6
HYDRAULIC SYSTEM	8
PRIMARY CHAIN SYSTEM	10
SECONDARY CHAIN SYSTEM	12
CARRIAGES (K7996 - K7999)	14
3-WAY HOSE KIT	16
DECALS	APPENDIX
PARTS INDEX	APPENDIX

RAIL SYSTEM

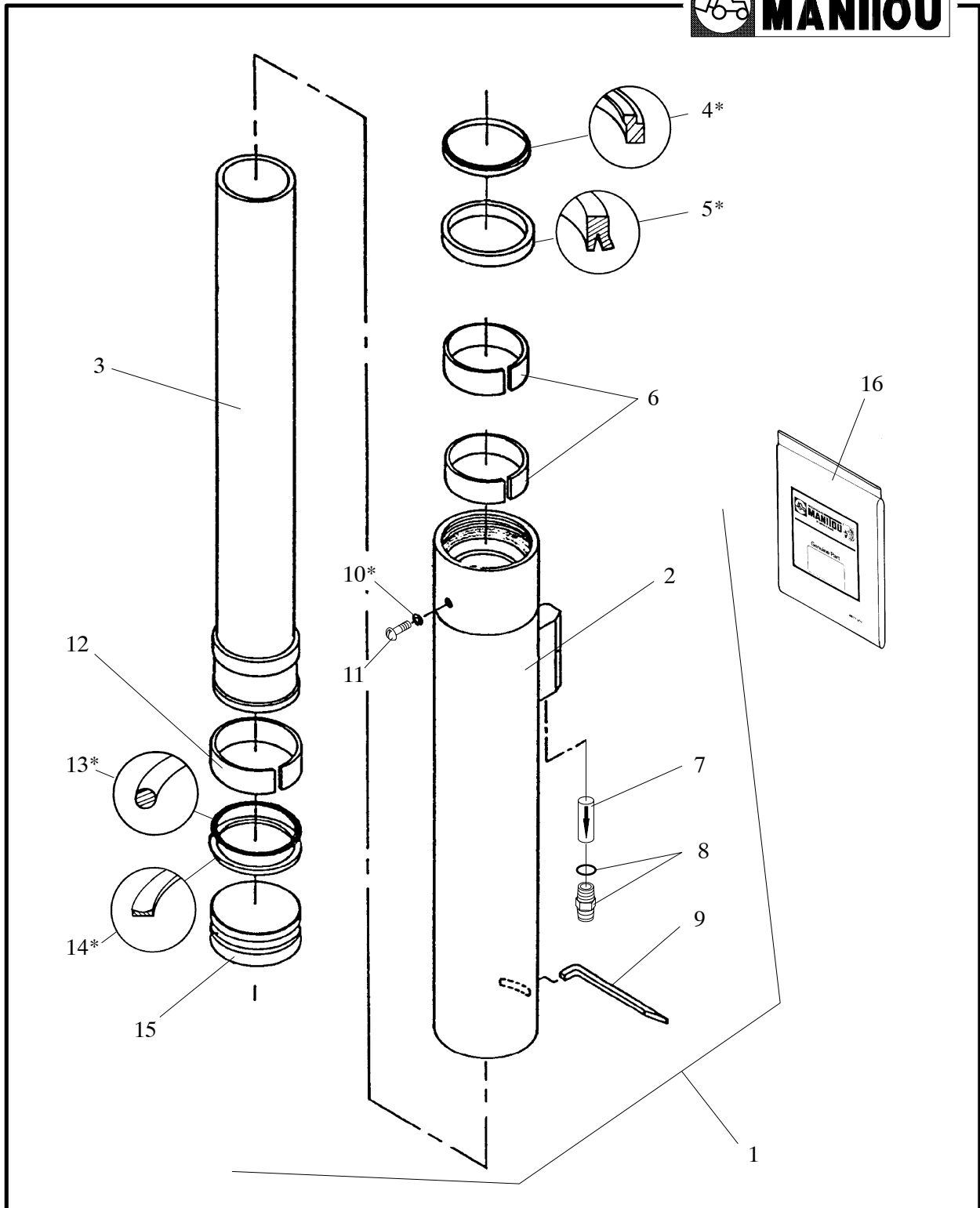


ITEM	PART NUMBER	DESCRIPTION	QTY	MODEL
1	R17605-4	Outer Rail Assembly	1	K7904
1	R17605-8	Outer Rail Assembly	1	K7908
1	R17605-9	Outer Rail Assembly	1	K7909, K7909A
1	R17605-11	Outer Rail Assembly	1	K7911
1	R17605-15	Outer Rail Assembly	1	K7915
1	R17605-20	Outer Rail Assembly	1	K7920
2	R22815-4	Intermediate Rail Assembly	1	K7904
2	R22815-8	Intermediate Rail Assembly	1	K7908
2	R22815-9	Intermediate Rail Assembly	1	K7909, K7909A
2	R22815-11	Intermediate Rail Assembly	1	K7911
2	R22815-15	Intermediate Rail Assembly	1	K7915
2	R22815-20	Intermediate Rail Assembly	1	K7920
3	R17650-4	Inner Rail Assembly	1	K7904
3	R17650-8	Inner Rail Assembly	1	K7908
3	R17650-9	Inner Rail Assembly	1	K7909, K7909A
3	R17650-11	Inner Rail Assembly	1	K7911
3	R17650-15	Inner Rail Assembly	1	K7915
3	R17650-20	Inner Rail Assembly	1	K7920
4	K34813	Washer, Lock	2	ALL
5	R9251	Screw, Socket Head	2	
6	R22	Shim	A/R	
7*	R2	Roller	2	
8	R206	Shim	A/R	
9**	R1	Roller	6	
10	K20388	Bolt, Hex	2	
11	K34807	Washer, Lock	2	
12	R9155	Cylinder Retainer	1	
13	K302240	Screw, Cap	2	
14	B531	Shim	4	

* Also available for replacement of R2 Roller is a 0.015" over-sized Roller, order Part No. R446.

** Also available for replacement of R1 Roller is a 0.015" over-sized Roller, order Part No. R442.

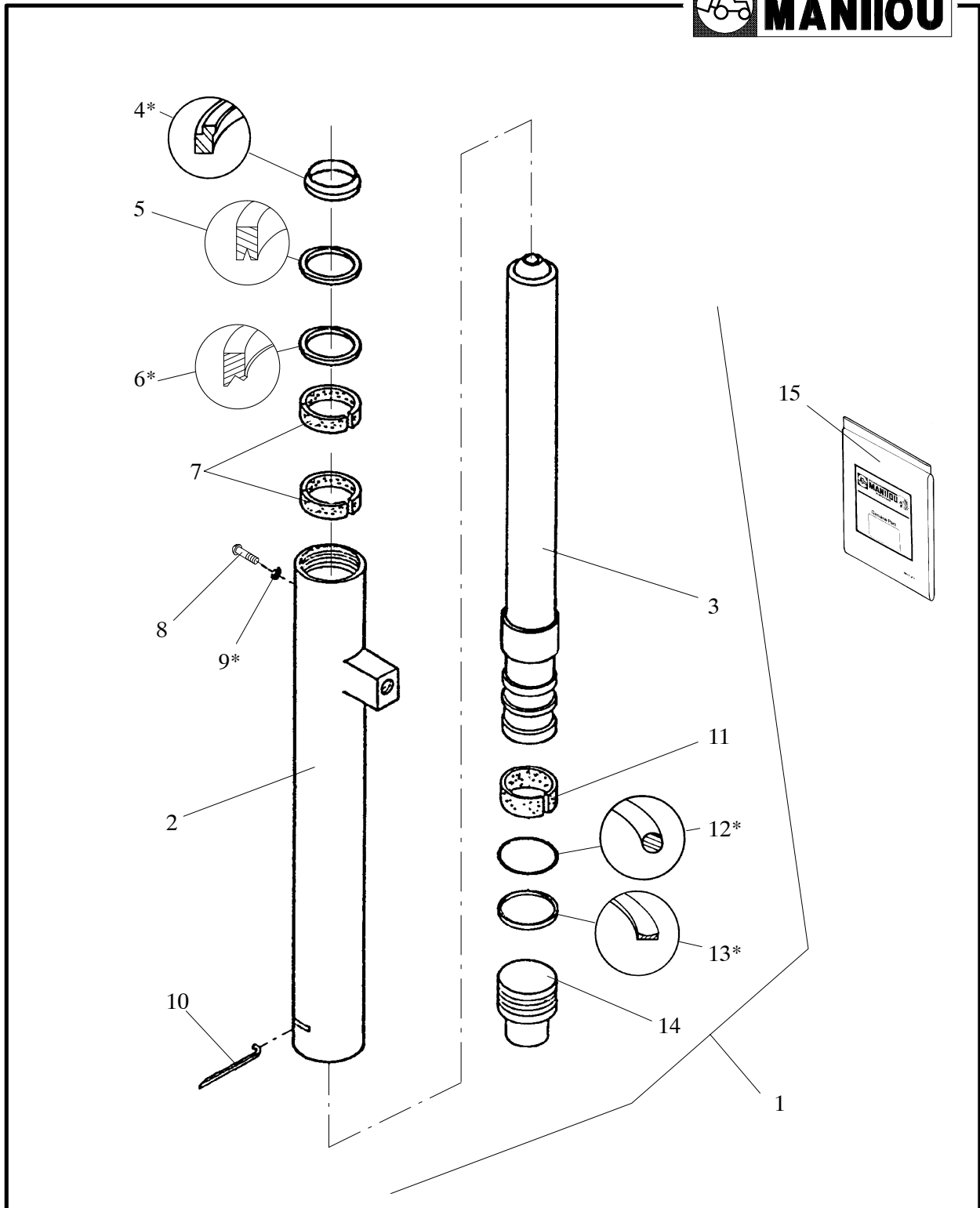
PRIMARY CYLINDER



ITEM	PART NUMBER	DESCRIPTION	QTY	MODEL
1	R18265-87	Primary Cylinder Assembly	1	K7904
1	R18265-89	Primary Cylinder Assembly	1	K7908
1	R18265-90	Primary Cylinder Assembly	1	K7909, K7909A
1	R18265-92	Primary Cylinder Assembly	1	K7911
1	R18265-96	Primary Cylinder Assembly	1	K7915
1	R18265-101	Primary Cylinder Assembly	1	K7920
2	R18270-4	Barrel Assembly	1	K7904
2	R18270-8	Barrel Assembly	1	K7908
2	R18270-9	Barrel Assembly	1	K7909, K7909A
2	R18270-11	Barrel Assembly	1	K7911
2	R18270-15	Barrel Assembly	1	K7915
2	R18270-20	Barrel Assembly	1	K7920
3	R9085-87	Piston Assembly	1	K7904
3	R9085-89	Piston Assembly	1	K7908
3	R9085-90	Piston Assembly	1	K7909, K7909A
3	R9085-88	Piston Assembly	1	K7911
3	R9085-96	Piston Assembly	1	K7915
3	R9085-101	Piston Assembly	1	K7920
4*	- - - -	Wiper	1	ALL
5*	- - - -	Seal	1	
6	R9012	Ring, Wear	2	
7	R8452	Protector, Flow	1	
8	K62-12-10	Fitting	1	
9	R2211-9	Lock Wire	1	
10*	- - - -	Washer, Seal	1	
11	R2551	Screw	1	
12	R9013	Ring, Wear	1	
13*	- - - -	O-Ring	1	
14*	- - - -	Ring, Back Up	1	
15	R9076	Base	1	
16	R18265K	Seal Kit	1	

* Included In Seal Kit, Item 16.

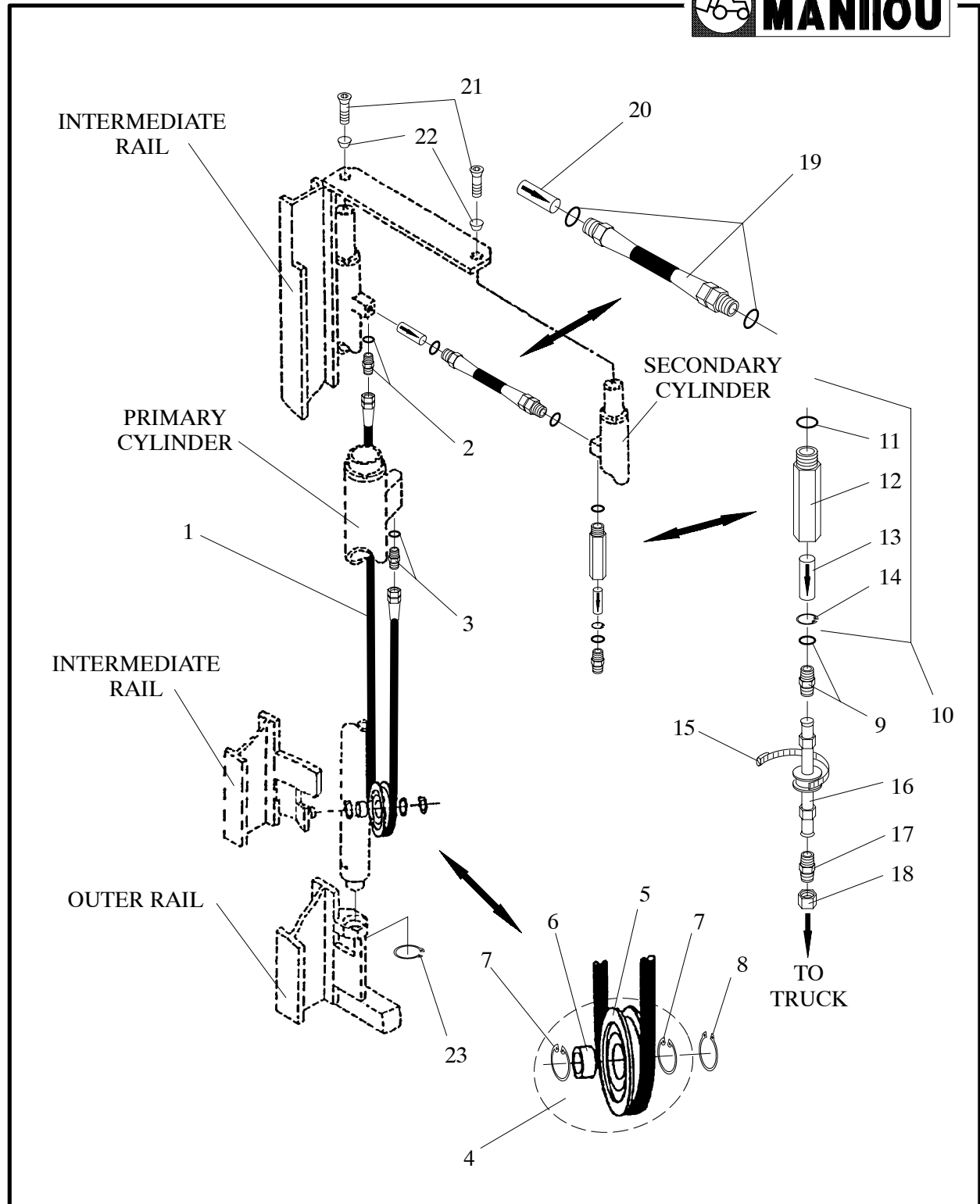
SECONDARY CYLINDER



ITEM	PART NUMBER	DESCRIPTION	QTY	MODEL
1	R22150R-4	Secondary Cyl. Assembly, R.H.	1	K7904
1	R22150R-8	Secondary Cyl. Assembly, R.H.	1	K7908
1	R22150R-9	Secondary Cyl. Assembly, R.H.	1	K7909
1	R22150R-9A	Secondary Cyl. Assembly, R.H.	1	K7909A
1	R22150R-11	Secondary Cyl. Assembly, R.H.	1	K7911
1	R22150R-15	Secondary Cyl. Assembly, R.H.	1	K7915
1	R22150R-20	Secondary Cyl. Assembly, R.H.	1	K7920
1	R22150L-4	Secondary Cyl. Assembly, L.H.	1	K7904
1	R22150L-8	Secondary Cyl. Assembly, L.H.	1	K7908
1	R22150L-9	Secondary Cyl. Assembly, L.H.	1	K7909
1	R22150L-9A	Secondary Cyl. Assembly, L.H.	1	K7909A
1	R22150L-11	Secondary Cyl. Assembly, L.H.	1	K7911
1	R22150L-15	Secondary Cyl. Assembly, L.H.	1	K7915
1	R22150L-20	Secondary Cyl. Assembly, L.H.	1	K7920
2	R22160R-4	Barrel Assembly, R.H.	1	K7904
2	R22160R-8	Barrel Assembly, R.H.	1	K7908
2	R22160R-9	Barrel Assembly, R.H.	1	K7909, K7909A
2	R22160R-11	Barrel Assembly, R.H.	1	K7911
2	R22160R-15	Barrel Assembly, R.H.	1	K7915
2	R22160R-20	Barrel Assembly, R.H.	1	K7920
2	R22160L-4	Barrel Assembly, L.H.	1	K7904
2	R22160L-8	Barrel Assembly, L.H.	1	K7908
2	R22160L-9	Barrel Assembly, L.H.	1	K7909, K7909A
2	R22160L-11	Barrel Assembly, L.H.	1	K7911
2	R22160L-15	Barrel Assembly, L.H.	1	K7915
2	R22160L-20	Barrel Assembly, L.H.	1	K7920
3	R22155-4	Rod Assembly	1	K7904
3	R22155-8	Rod Assembly	1	K7908
3	R22155-9	Rod Assembly	1	K7909
3	R22155-9A	Rod Assembly	1	K7909A
3	R22155-11	Rod Assembly	1	K7911
3	R22155-15	Rod Assembly	1	K7915
3	R22155-20	Rod Assembly	1	K7920
4*	----	Wiper	1	ALL
5*	----	Seal	1	
6*	----	Seal	1	
7	R9037	Ring, Wear	2	
8	R2551	Screw	1	
9*	----	Washer, Seal	1	
10	R2211-8	Lock Wire	1	
11	R9038	Ring, Wear	1	
12*	----	O-Ring	1	
13*	----	Ring, Back Up	1	
14	R9096	Base	1	
15	R22150K	Seal Kit	1	

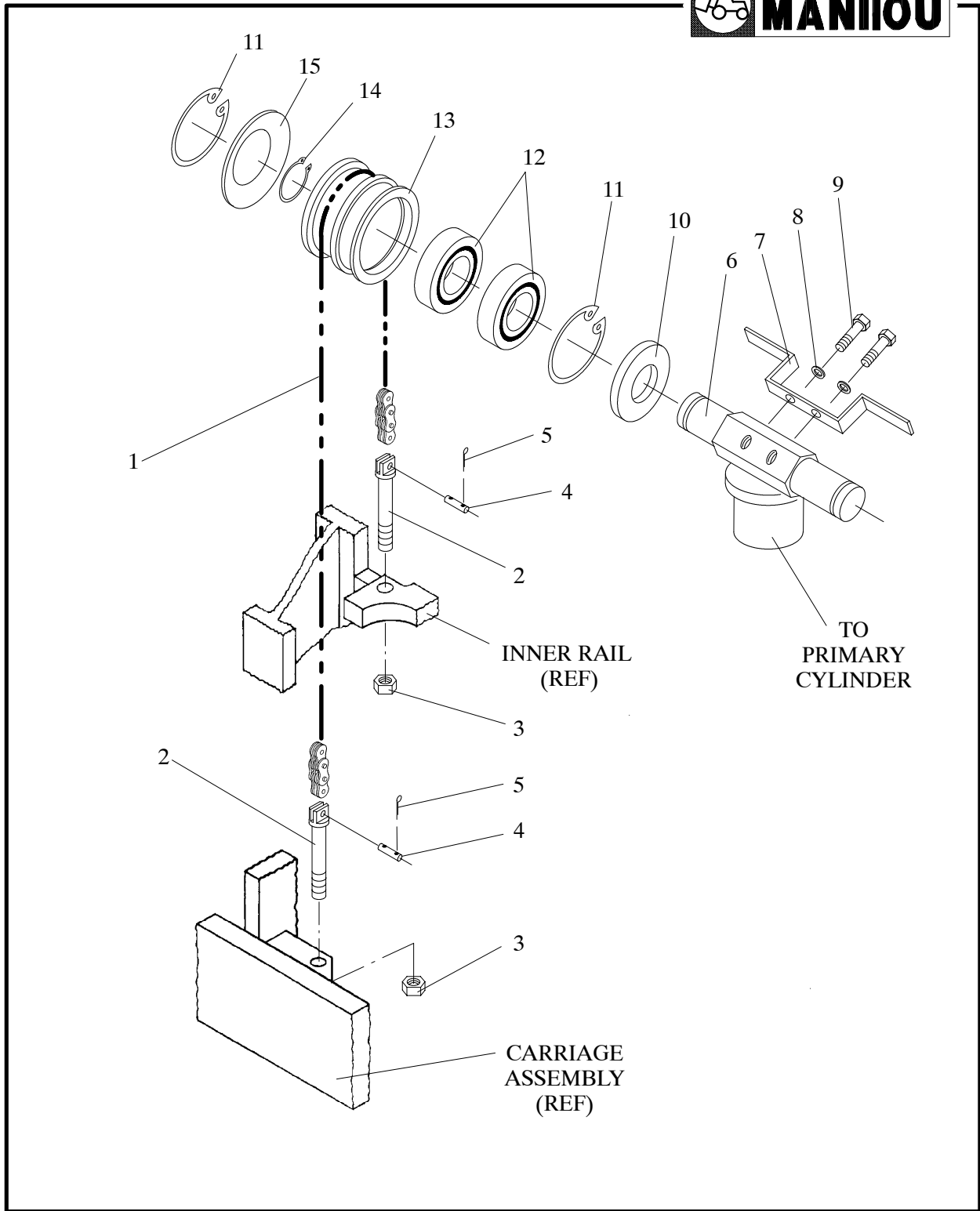
* Included in Seal Kit, Item 15.

HYDRAULIC SYSTEM



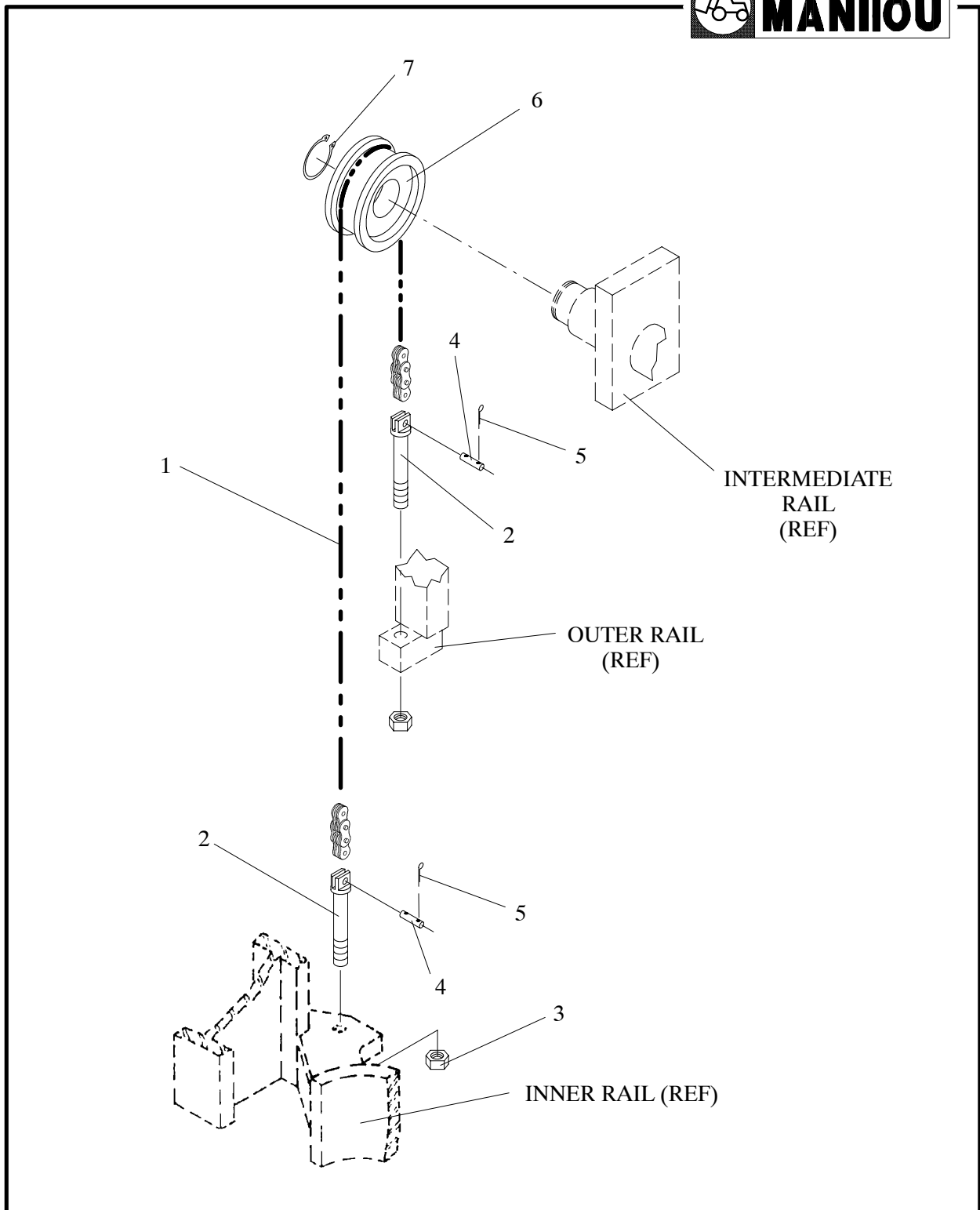
ITEM	PART NUMBER	DESCRIPTION	QTY	MODEL
1	B760-1750	Hose Assembly	1	K7904
1	B760-1751	Hose Assembly	1	K7908
1	B760-1752	Hose Assembly	1	K7909, K7909A
1	B760-1753	Hose Assembly	1	K7911
1	B760-1754	Hose Assembly	1	K7915
1	B760-1755	Hose Assembly	1	K7920
2	K62-12	Adapter	1	ALL
3	K62-12-10	Fitting	1	
4	R12395	Hose Sheave Assembly	1	
5	R12367	Hose Sheave	1	
6	R2362	Bearing	1	
7	R7332	Ring, Snap	2	
8	R7333	Ring, Snap	1	
9	K62-10-12	Fitting	1	
10	R12390	Regulator, Flow Assembly	1	
11	K912	O-Ring	1	
12	R13396	Body, Flow Regulator	1	
13	R9417	Regulator, Flow	1	
14	K97615	Ring, Snap	1	
15	B2236-17	Clamp	1	K7909 - K7920
16	R23285-1	Tube Assembly	1	K7909, K7909A
16	R23285-2	Tube Assembly	1	K7911
16	R23285-3	Tube Assembly	1	K7915
16	R23285-4	Tube Assembly	1	K7920
17	K4-10	Fitting	1	K7909 - K7920
18	R23263-1	Cap	1	K7909 - K7920
19	R19511	Hose Assembly	1	ALL
20	R9042	Protector, Flow	1	
21	R4858	Screw, Flat Head	2	
22	R10328	Shim	A/R	
23	K97537	Ring, Snap	2	

PRIMARY CHAIN SYSTEM



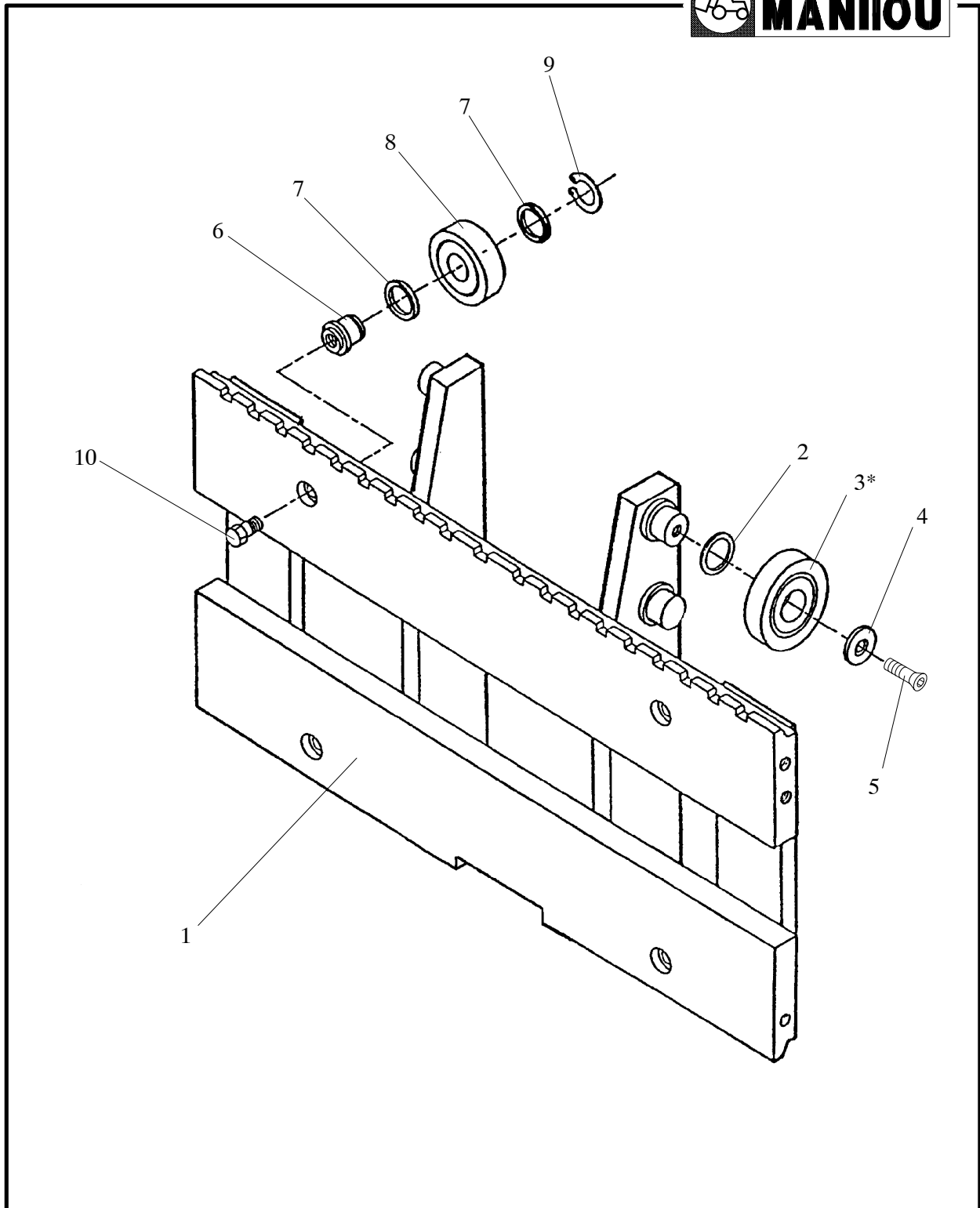
ITEM	PART NUMBER	DESCRIPTION	QTY	MODEL
1	R22137-4	Primary Chain	2	K7904
1	R22137-6	Primary Chain	2	K7908
1	R22137-7	Primary Chain	2	K7909, K7909A
1	R22137-9	Primary Chain	2	K7911
1	R22137-11	Primary Chain	2	K7915
1	R22137-14	Primary Chain	2	K7920
2	R22147	Anchor, Chain	4	ALL
3	R227	Nut, Stop	4	
4	R9054	Pin, Chain	4	
5	K72004	Pin, Cotter	8	
6	R23230	Cross Head Assembly	1	
7	R23098	Chain Retainer	2	
8	K34807	Lock Washer	4	
9	K20388	Bolt, Hex	4	
10	R9094	Oil Seal	2	
11	R9089	Ring, Snap	4	
12	R9098	Bearing	4	
13	R23153	Sheave, Chain	2	
14	K97538	Ring, Snap	2	
15	R9099	Grease Shield	2	

SECONDARY CHAIN SYSTEM



ITEM	PART NUMBER	DESCRIPTION	QTY	MODEL
1	R22137-23	Secondary Chain	2	K7904
1	R22137-27	Secondary Chain	2	K7908
1	R22137-28	Secondary Chain	2	K7909, K7909A
1	R22137-30	Secondary Chain	2	K7911
1	R22137-36	Secondary Chain	2	K7915
1	R22137-43	Secondary Chain	2	K7920
2	R22147	Anchor, Chain	4	ALL
3	R227	Nut, Stop	4	
4	R9054	Pin, Chain	4	
5	K72004	Pin, Cotter	8	
6	R23202	Sheave, Chain	2	
7	K97538	Ring, Snap	2	

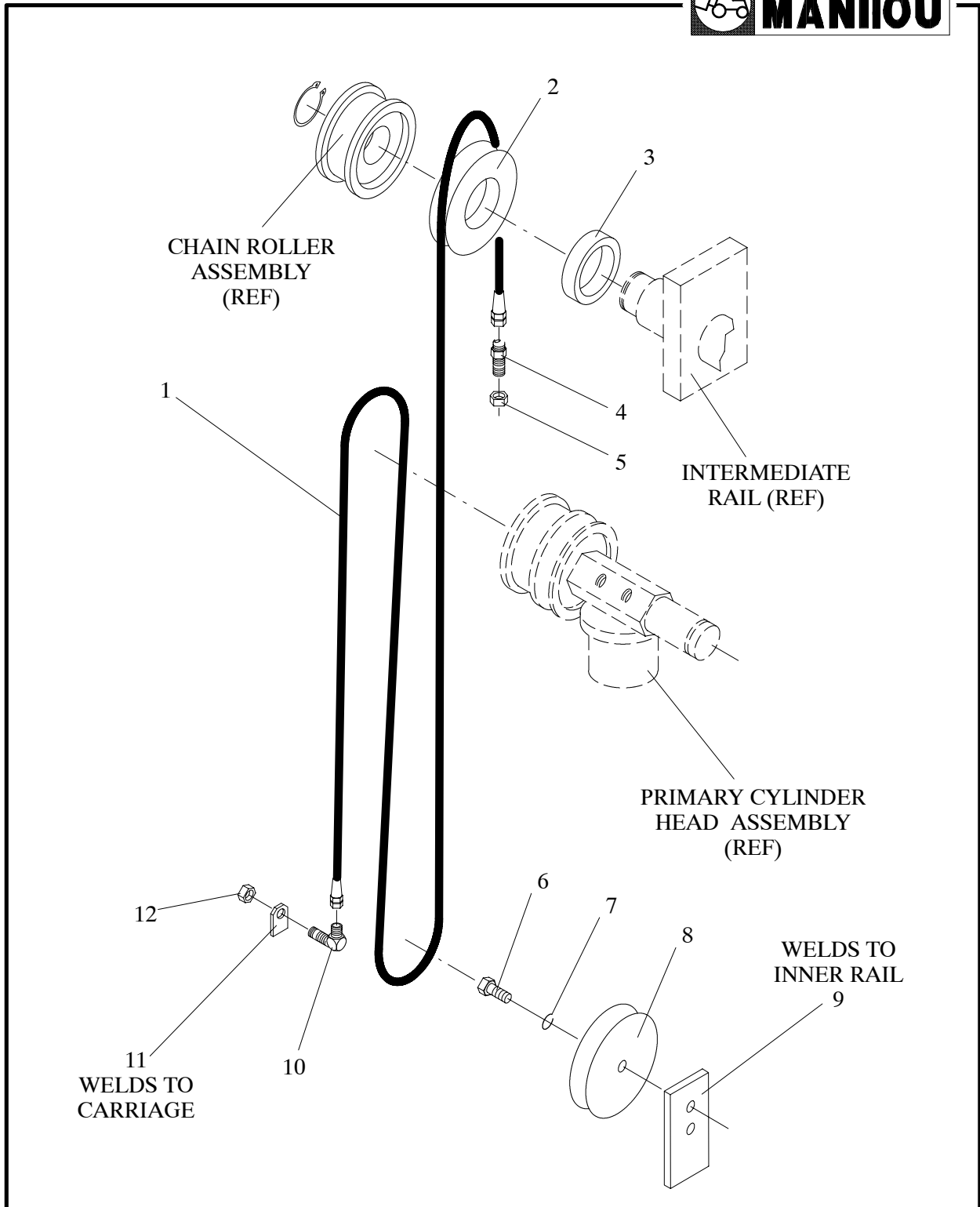
CARRIAGES (K7994 - K7999)



ITEM	PART NUMBER	DESCRIPTION	QTY	MODEL
1	R23330-1	Carriage Assembly	1	K7994
1	R23215	Carriage Assembly	1	K7995
1	R22145-4	Carriage Assembly	1	K7996
1	R22145-3	Carriage Assembly	1	K7997
1	R22145-2	Carriage Assembly	1	K7998
1	R22145-1	Carriage Assembly	1	K7999
2	R206	Shim	A/R	
3*	R1	Roller	6	
4	R2389	Washer	2	
5	R1811	Screw, Socket Head	2	
6	R3561	Shaft, Eccentric	4	
7	R206	Shim	8	
8	R3595	Roller Assembly	4	
9	K97535	Ring, Snap	4	
10	R3564	Bolt, Lock	4	

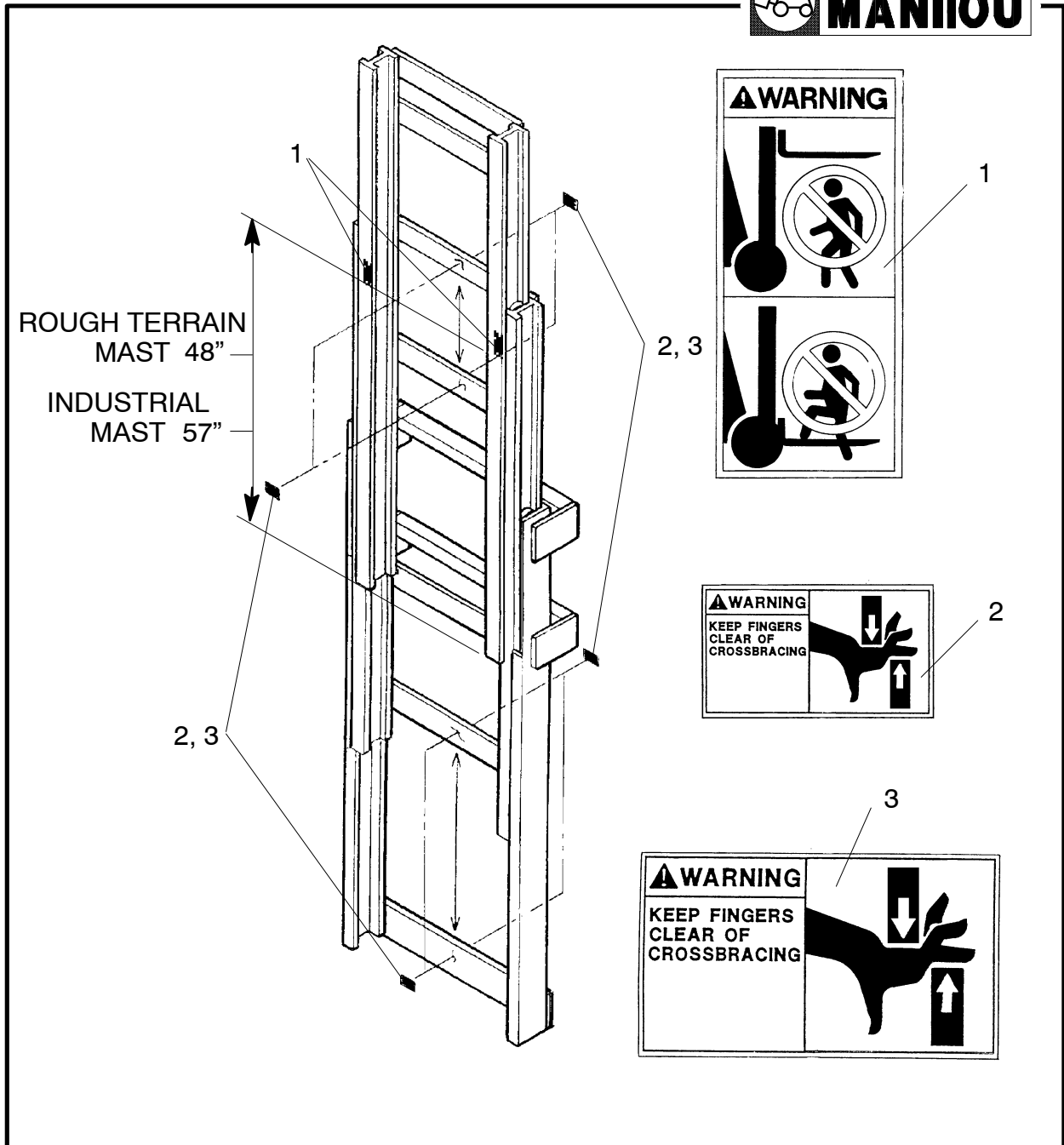
* Also available for replacement of R1 Roller is a 0.015" over-sized Roller, order Part No. R442.

3-WAY HOSE KIT (K7976)



ITEM	PART NUMBER	DESCRIPTION	QTY	MODEL
1	B760-1575	Hose Assembly	2	K7976-9
1	B760-1581	Hose Assembly	2	K7976-15
2	R22916	Sheave, Hose	2	
3	R22918	Spacer	2	
4	K104-6	Fitting, Bulkhead	2	
5	K52-6	Nut, Hex	2	
6	K20388	Bolt, Hex	2	
7	K34807	Washer, Lock	2	
8	R9154	Hose Guide	2	
9	R17641	Plate, Turn-Around	2	
10	K108-6	Fitting, Bulkhead	2	
11	R17671	Plate, Bulkhead	2	
12	K52-8	Nut, Hex	2	

DECALS



ITEM	PART NUMBER	DESCRIPTION	QTY	MODEL
1	426641	Decal, "Fork Safety"	2	ALL
2	426642	Decal, "Pinch Point" (Small)	A/R	
3	426643	Decal, "Pinch Point" (Large)	A/R	

***Parts Index:
part no., page***

B

B2236-17, 9
B531, 3
B760-, 9
B760-1575, 17
B760-1581, 17

K

K104-6, 17
K108-6, 17
K20388, 3, 11, 17
K302240, 3
K34807, 3, 11
K34813, 3
K4-10, 9
K52-6, 17
K52-8, 17
K62-10-12, 9
K62-12, 9
K62-12-10, 5, 9
K64807, 17
K72004, 11, 13
K912, 9
K97535, 15
K97537, 9
K97538, 11, 13
K97615, 9

R

R1, 3, 15
R10328, 9
R12367, 9
R12390, 9
R12395, 9
R13396, 9
R17605-, 3
R17641, 17
R17650-, 3
R17671, 17
R1811, 15
R18265K, 5
R18270-, 5
R18625-, 5
R19511, 9
R2, 3
R206, 3, 15
R22, 3
R2211-8, 7
R2211-9, 5
R22137-, 11, 13
R22145-, 15
R22147, 11, 13
R22150K, 7
R22150L-, 7
R22150R-, 7
R22155-, 7
R22160L-, 7
R22160R-, 7
R227, 11, 13
R22815-, 3
R22916, 17

R22918, 17
R23098, 11
R23153, 11
R23202, 13
R23230, 11
R23263-1, 9
R2362, 9
R2389, 15
R2551, 5, 7
R3561, 15
R3564, 15
R3595, 15
R4858, 9
R7332, 9
R7333, 9
R8452, 5
R9012, 5
R9013, 5
R9037, 7
R9038, 7
R9042, 9
R9054, 11, 13
R9076, 5
R9085-, 5
R9089, 11
R9094, 11
R9096, 7
R9098, 11
R9099, 11
R9154, 17
R9155, 3
R9251, 3
R9417, 9