



**MANITOU NORTH AMERICA, INC.**

6401 IMPERIAL DRIVE  
Waco, TX 76712-6803

***NOTE:** Manitou Forklift Manuals are continually updated and subject to change without prior notice. If your Forklift Mast Model or parts are not found in this manual, please contact your dealer or the Manitou North America Parts Department for the latest information and parts availability.*

**806917 SERIES**

2-STAGE MAST

**PARTS MANUAL**

For Parts Orders contact your Manitou North America Dealer or call:  
**Manitou North America, Parts Dept.** 800-425-3727 or (254) 799-0232  
Parts Dept. Fax: (254) 867-6504 Website: [www.manitou-na.com](http://www.manitou-na.com)



## GENERAL INFORMATION

The purpose of this Parts Manual is to provide illustrations for identifying and ordering Mast components/parts. Because of the multitude of Mast Models and components utilized, the illustrations provide a general description and therefore may not show the *exact* shape or detail of the components/parts represented.

The Mast parts are identified by an Item Number on the illustration or picture page. Find the Item Number for the part desired, then locate that Item Number under the "Items" column following the illustration. The Part Number will be located directly to the right of the Item Number. Also provided is a part Description, Quantity of parts required and the mast Model number.

Most important when ordering parts, is providing the correct serial number assigned to the mast at the factory. Keep accurate records of all modifications or improvements made to the mast after manufacture. (All Mast modifications must be authorized by Manitou North America, Inc.) Notify the Parts Dept. of any changes that may affect your parts order.

When ordering Mast parts or requesting technical information, the following numbers are required:

Mast Model Number: \_\_\_\_\_

Mast Serial Number: \_\_\_\_\_

*For quick reference it is recommended these numbers be recorded as soon as possible.*

The Mast Model Number is stamped on the Identification Plate located on the right side of the Outer Rail, at or above eye level.

### **MAST MODEL NUMBER DESCRIPTION (SAMPLE)**

PART NO. OF MAST

PART NO. OF OPTIONAL EQUIPMENT

**805069-04**

**805154**

**805070-2**

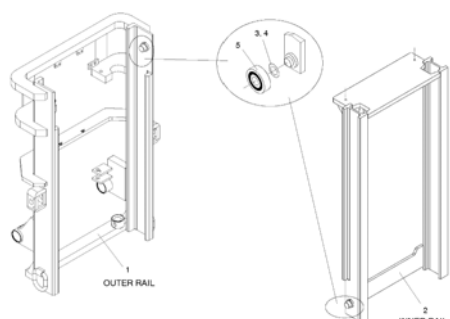
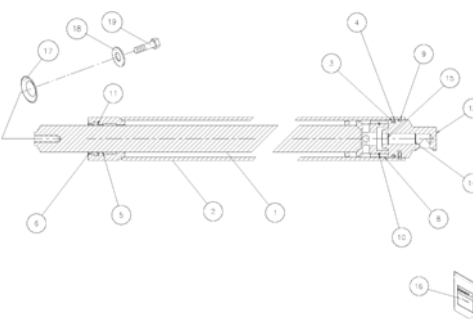
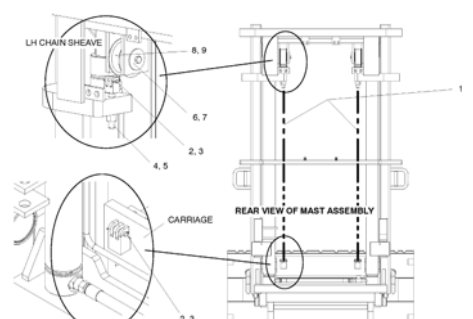
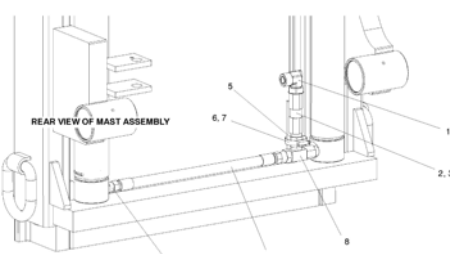
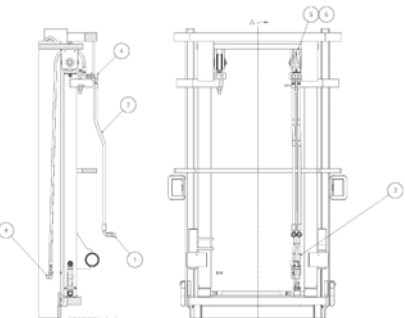
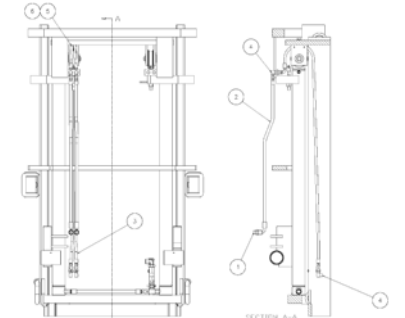
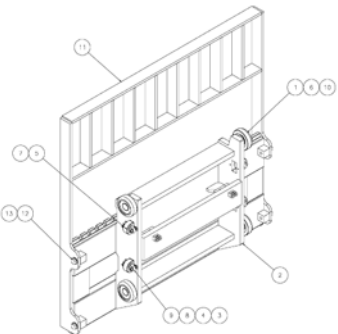
PART NO. OF CARRIAGE

NOTE: Additional information can be found stamped on the Mast Assembly, such as:

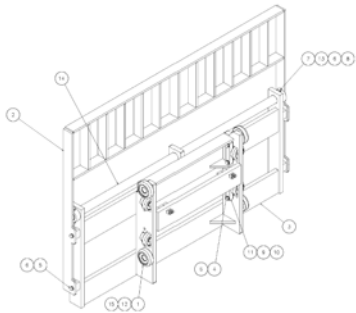
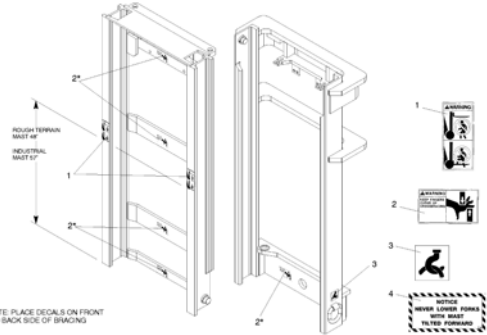
- 1.) Individual Rail Assemblies; check the top end of the Rail Assembly for the stamped part no..
- 2.) Carriage Assembly; check either end of the face bars for the stamped part no. and model no..
- 3.) Cylinder Assemblies; check along the upper portion of the barrel for the stamped part no..

This information may be required if your parts book is out-dated or incomplete.

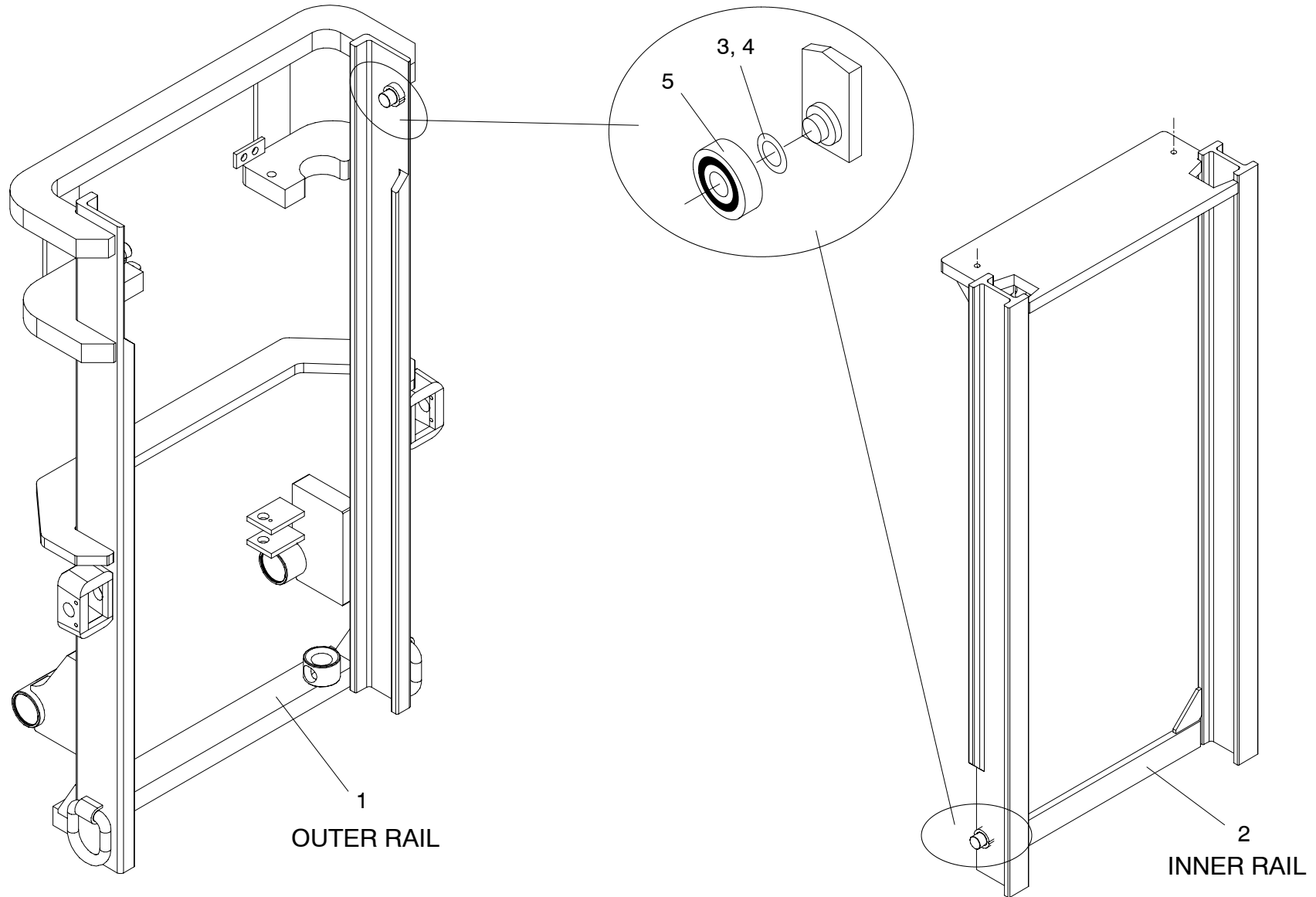
# INDEX

		
<p>RAIL SYSTEM</p>	<p>LIFT CYLINDER</p>	<p>CHAIN SYSTEM</p>
		
<p>HYDRAULIC SYSTEM</p>	<p>HOSE KIT, RH</p>	<p>HOSE KIT, LH</p>
		
<p>CARRIAGE, ITA TYPE</p>		

I  
N  
D  
E  
X

			
CARRIAGE, SHAFT TYPE	8.00	DECALS	9.00

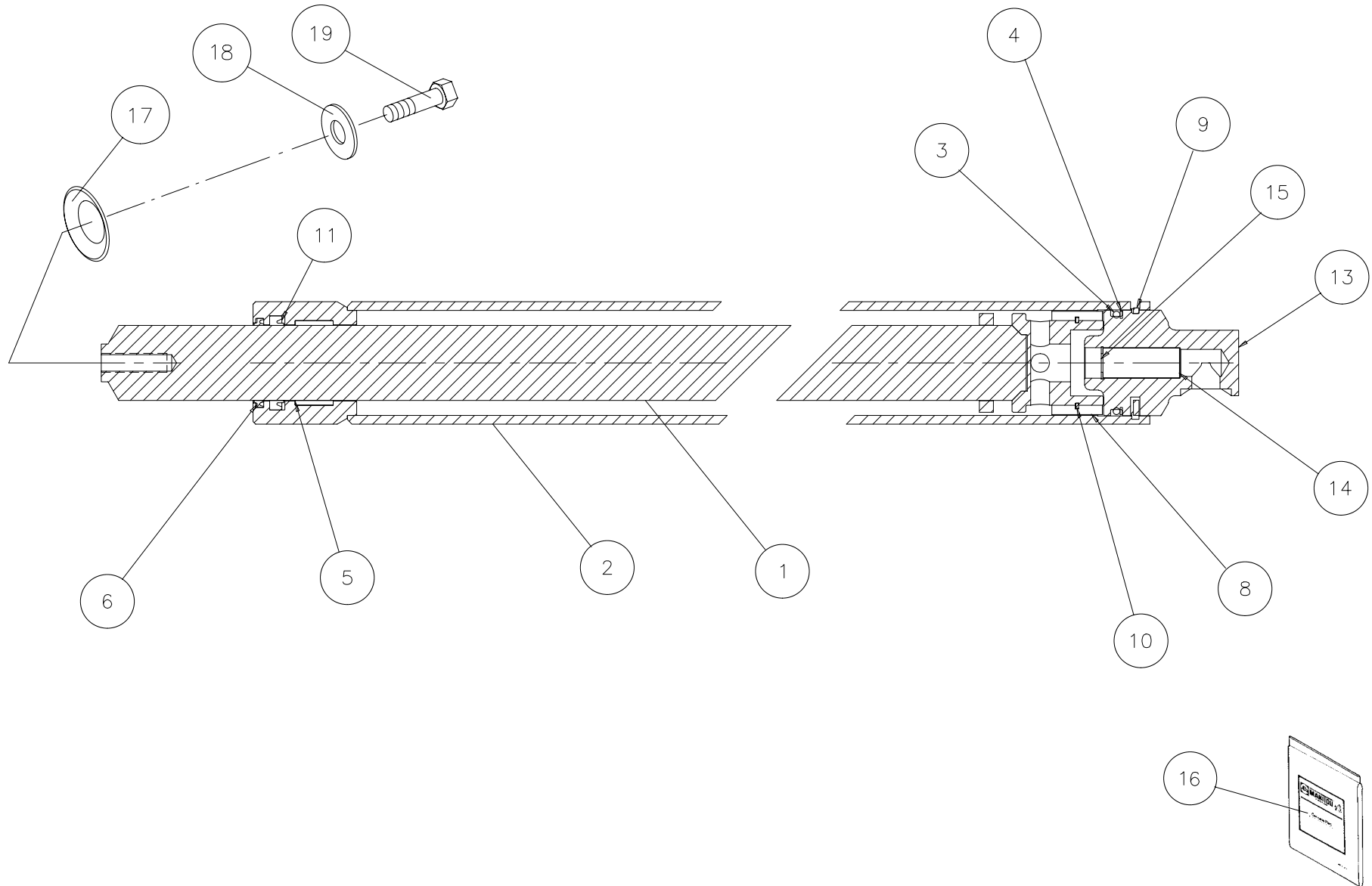
RAIL SYSTEM



			QTY/MODEL											
1/1			RAIL SYSTEM											
ITEM	PART NO.	DESCRIPTION	1	2	3	4	5	6	7	8	9	10	11	12
1	806918-4	Outer rail assembly			1									
1	806918-5	Outer rail assembly				1								
1	806918-6	Outer rail assembly					1							
1	806918-7	Outer rail assembly						1						
2	805455-4	Inner rail assembly			1									
2	805455-5	Inner rail assembly				1								
2	805455-6	Inner rail assembly					1							
2	805455-7	Inner rail assembly						1						
3	800802	Roller			4	4	4	4						
4	R427	Shim (0.060 in.)			4	4	4	4						
5	R206	Shim (0.015 in.)			4	4	4	4						

1.00

LIFT CYLINDER ASSEMBLY

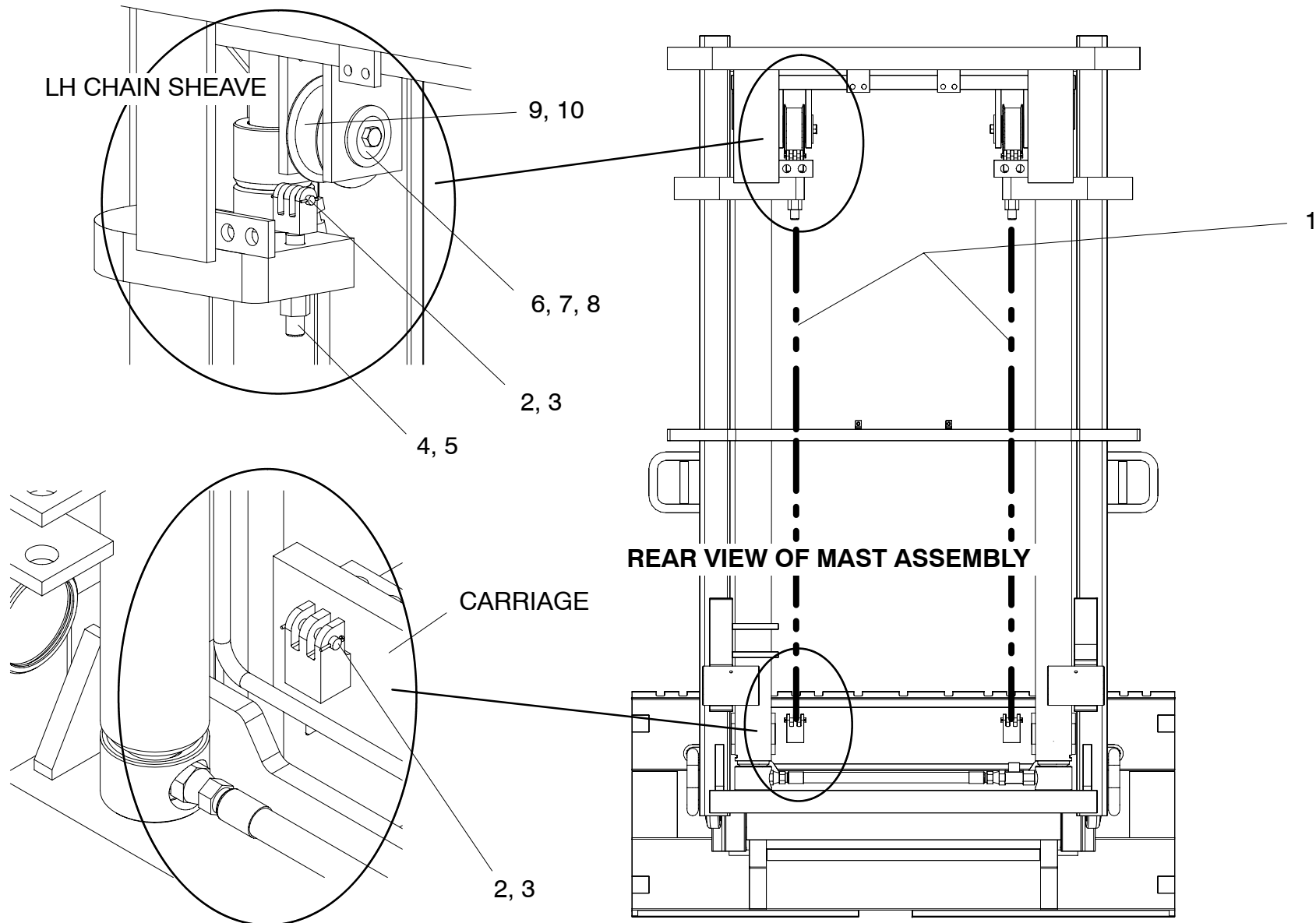




			QTY/MODEL											
1/1			LIFT CYLINDER ASSEMBLY											
			1. 806917-02		5. 806917-06									
			2. 806917-03		6. 806917-07									
			3. 806917-04											
			4. 806917-05											
ITEM	PART NO.	DESCRIPTION	1	2	3	4	5	6	7	8	9	10	11	12
	805584-4	Cylinder, complete			2									
	805584-5	Cylinder, complete				2								
	805584-6	Cylinder, complete					2							
	805584-7	Cylinder, complete						2						
1	806725-4	Rod assembly			1									
1	806725-5	Rod assembly				1								
1	806725-6	Rod assembly					1							
1	806725-7	Rod assembly						1						
2	806726-4	Barrel assembly			1									
2	806726-5	Rod assembly				1								
2	806726-6	Rod assembly					1							
2	806726-7	Rod assembly						1						
3	K332	O-ring			1	1	1	1						
4	K8-332	Backup ring			1	1	1	1						
5	M0000192-361000	Wear ring			1	1	1	1						
6	M0000193-02000	Wiper			1	1	1	1						
8	R18362	Wear ring			1	1	1	1						
9	R2211-8	Lock wire			1	1	1	1						
10	R7514	Ring, snap			1	1	1	1						
11	R10516	Seal			1	1	1	1						
13	805623	Base plug			1	1	1	1						
14	R5683	Flow regulator			1	1	1	1						
15	K97612	Snap ring			1	1	1	1						
16	805584K	Seal kit (Items 3, 4,68 & 11)			1	1	1	1						
17	R12711	Washer, coned			1	1	1	1						
18	K34809	Washer			1	1	1	1						
19	K20526	Bolt			1	1	1	1						

2.00

CHAIN SYSTEM

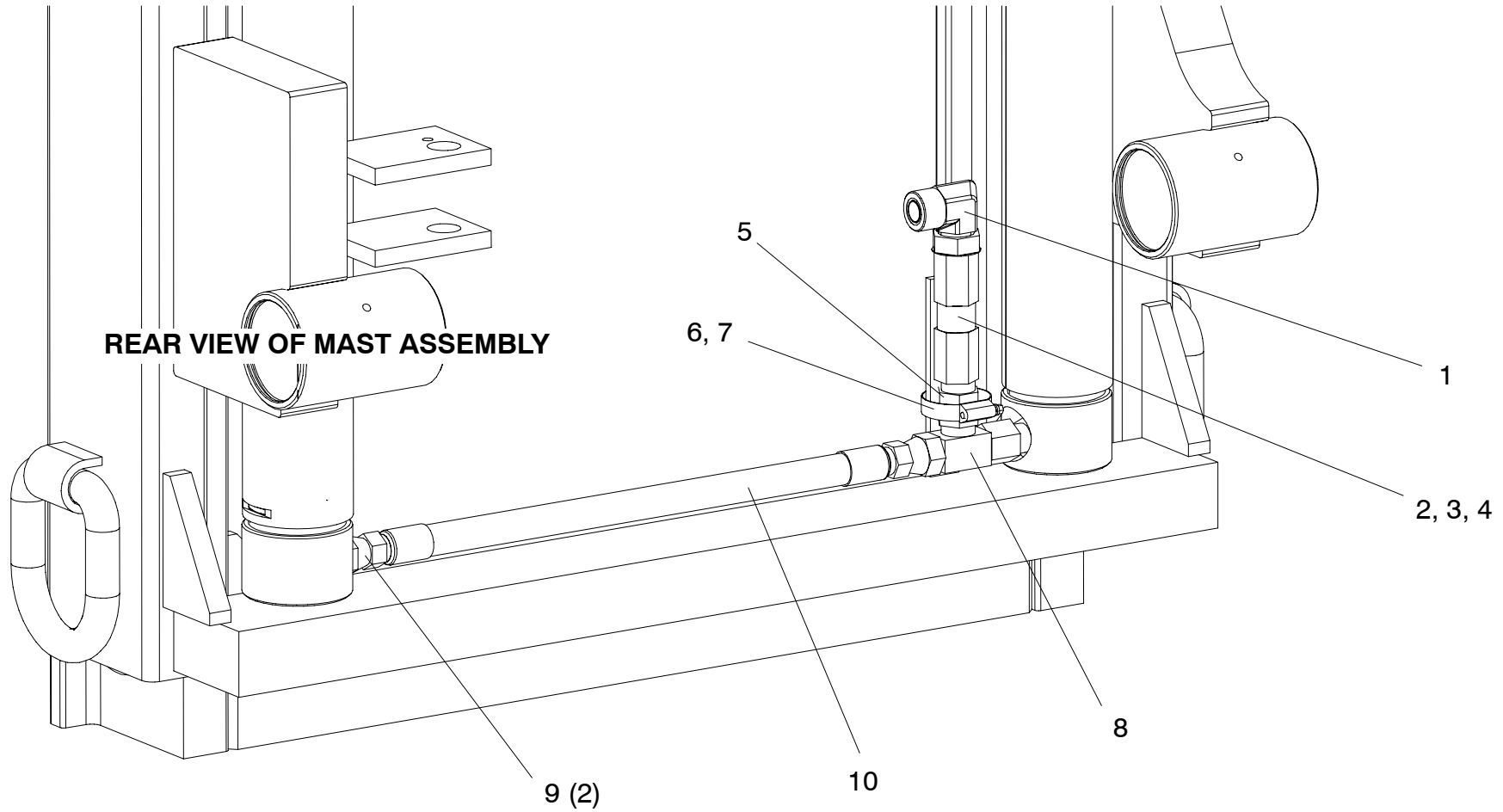


ITEM	PART NO.	DESCRIPTION	QTY/MODEL												
			1	2	3	4	5	6	7	8	9	10	11	12	
1/1		CHAIN SYSTEM	1. 806917-02                      5. 806917-06 2. 806917-03                      6. 806917-07 3. 806917-04 4. 806917-05												
1	R34-45B	Chain			2										
1	R34-2B	Chain				2									
1	R34-70B	Chain						2							
1	R34-19B	Chain							2						
2	K71B2166	Chain pin			4	4	4	4							
3	K72004	Pin, cotter			8	8	8	8							
4	R9193-2	Chain anchor			2	2	2	2							
5	R227	Nut			2	2	2	2							
6	K44736	Washer			2	2	2	2							
7	R23959	Washer			2	2	2	2							
8	K20432	Bolt			2	2	2	2							
9	M0001150	Shaft			2	2	2	2							
10	800800	Chain sheave			2	2	2	2							

3.00
------

HYDRAULIC SYSTEM

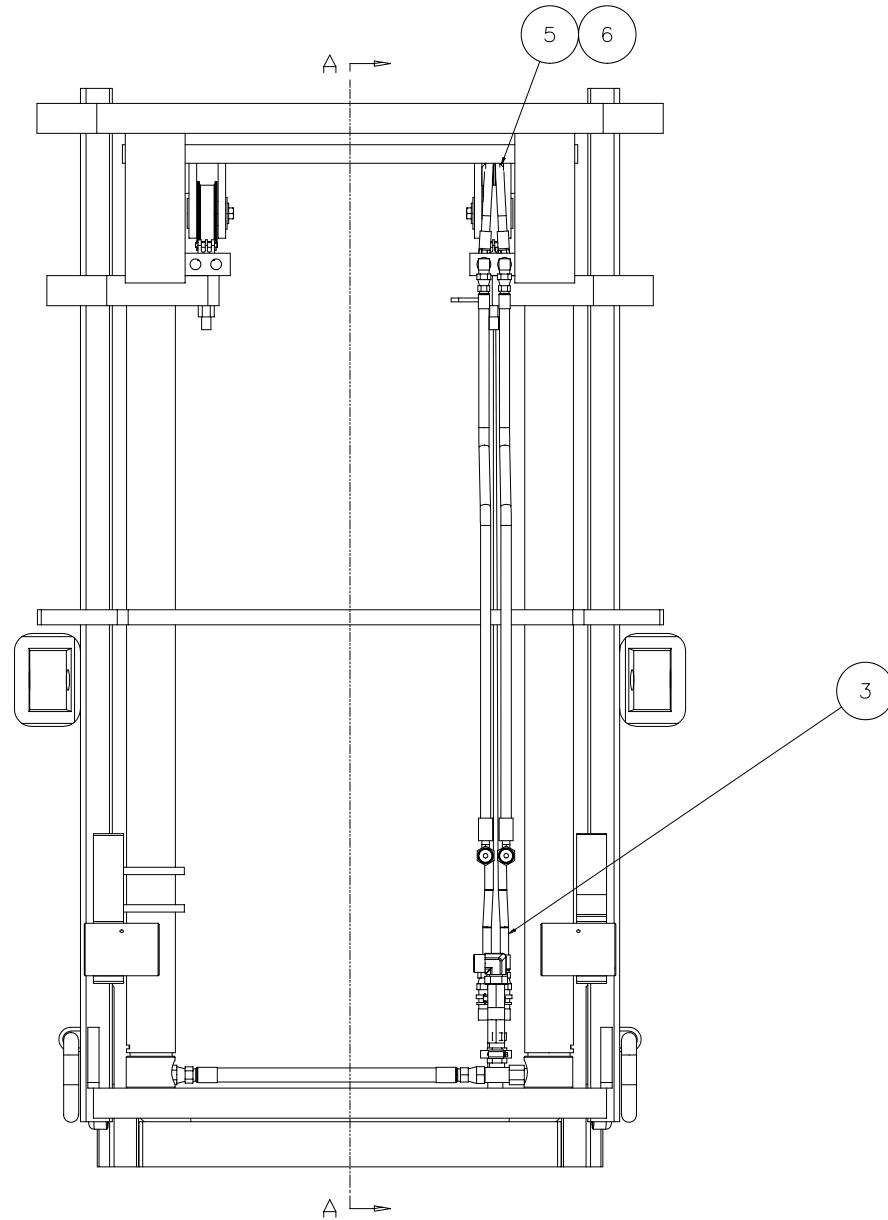
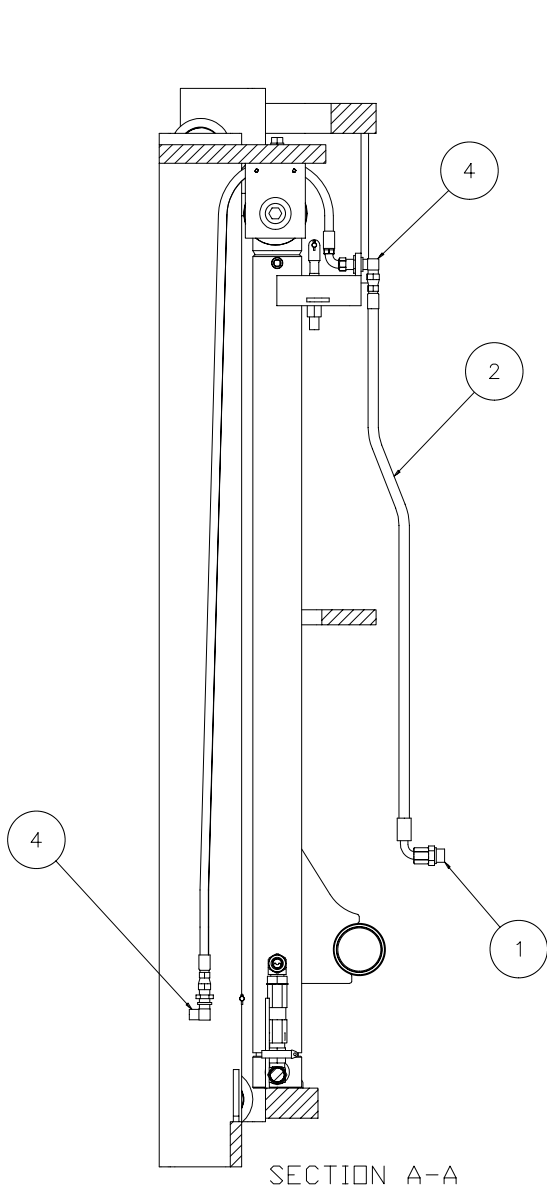
REAR VIEW OF MAST ASSEMBLY



			QTY/MODEL											
1/1 HYDRAULIC SYSTEM			1. 806917-02						5. 806917-06					
			2. 806917-03						6. 806917-07					
			3. 806917-04						4. 806917-05					
ITEM	PART NO.	DESCRIPTION	1	2	3	4	5	6	7	8	9	10	11	12
1	R19452-1	Elbow			1	1	1	1						
2	R5003	Body			1	1	1	1						
3	R5217	Flow regulator			1	1	1	1						
4	K97612	Snap ring			2	2	2	2						
5	805622	Connector			1	1	1	1						
6	B2236-8	Hose clamp			1	1	1	1						
7	R12734-9	Plate (welding certification required)			1	1	1	1						
8	805276	Tee			1	1	1	1						
9	R19587	Connector			2	2	2	2						
10	805620	Hose assembly			1	1	1	1						

4.00

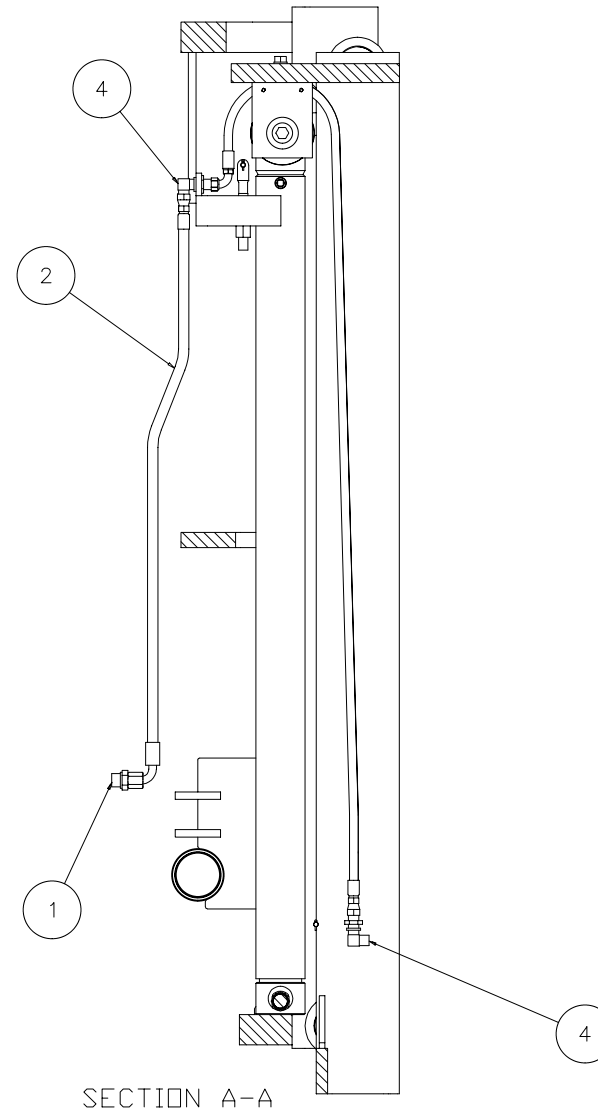
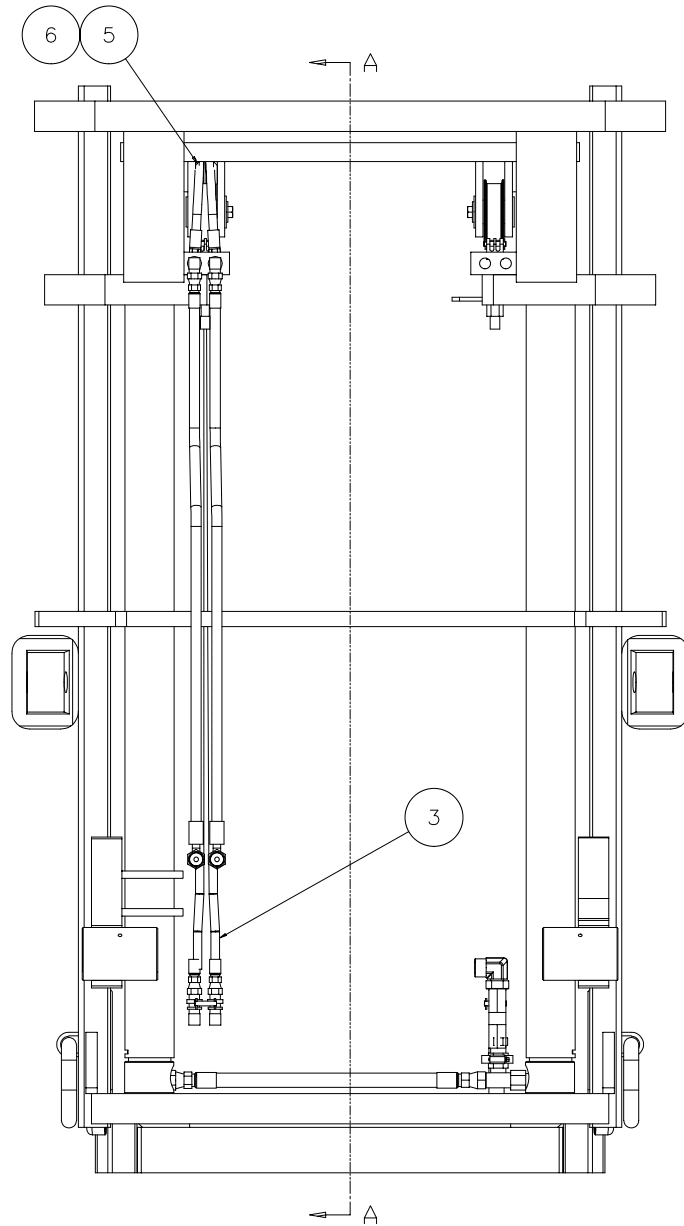
HOSE KIT, RH



ITEM	PART NO.	DESCRIPTION	QTY/MODEL													
			1	2	3	4	5	6	7	8	9	10	11	12		
1/1		HOSE KIT, RH	1. 806917-02 2. 806917-03 3. 806917-04						4. 806917-05 5. 806917-06 6. 806917-07							
	806026-04	Hose kit, RH complete			1											
	806026-05	Hose kit, RH complete				1										
	806026-06	Hose kit, RH complete						1								
	806026-07	Hose kit, RH complete							1							
1	803026	Connector			2	2	2	2								
2	805322-4	Hose assembly			2											
2	805322-5	Hose assembly				2										
2	805322-6	Hose assembly					2									
2	805322-7	Hose assembly							2							
3	805844-4	Hose assembly			1											
3	805844-5	Hose assembly				1										
3	805844-6	Hose assembly					1									
3	805844-7	Hose assembly							1							
4	M0000075	Elbow, bulkhead			4	4	4	4								
5	806318	Guide			2	2	2	2								
6	61975	Screw, M4			4	4	4	4								

5.00

HOSE KIT, LH

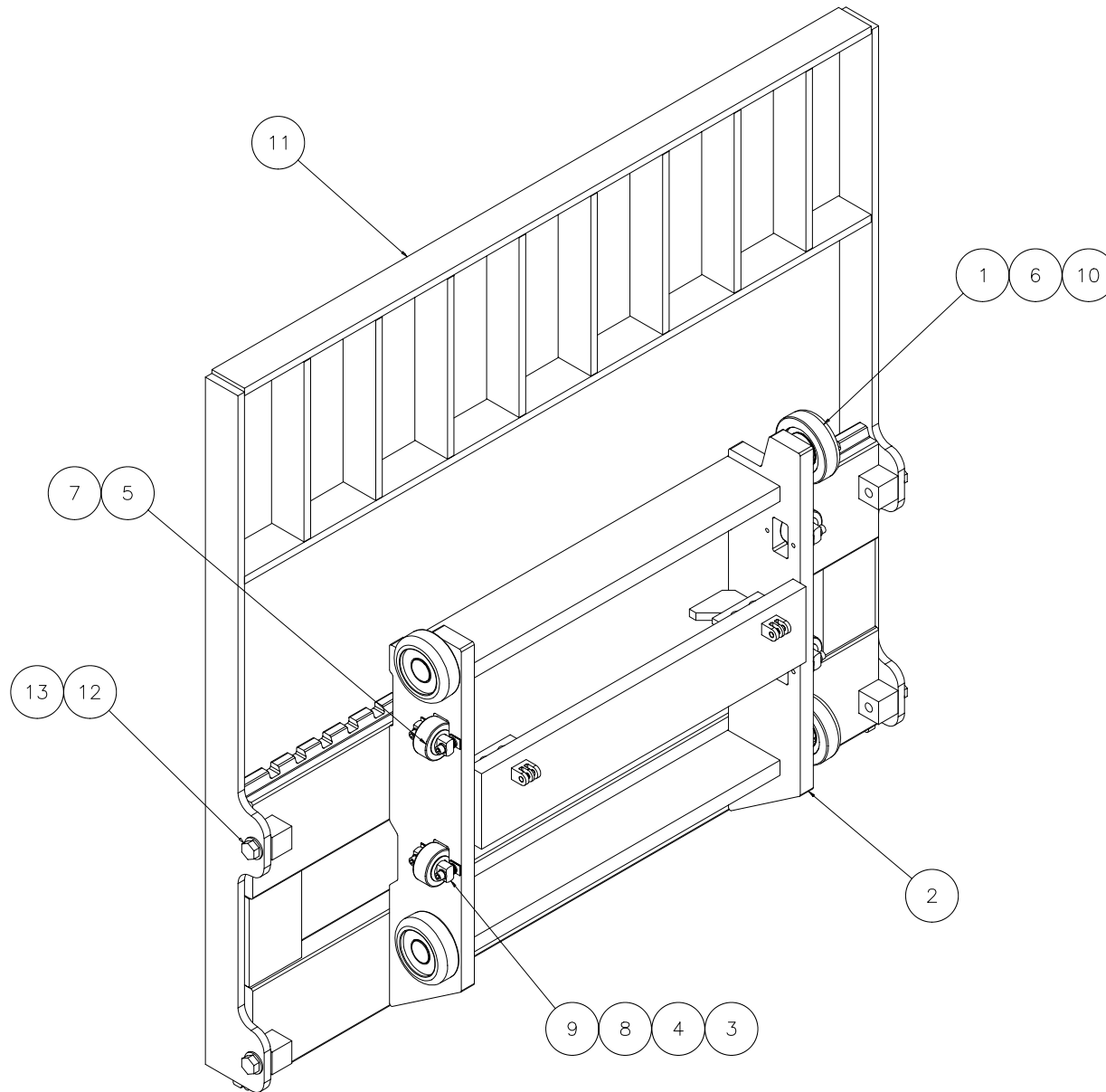




			QTY/MODEL											
1/1			HOSE KIT, LH											
			1. 806917-02						4. 806917-05					
			2. 806917-03						5. 806917-06					
			3. 806917-04						6. 806917-07					
ITEM	PART NO.	DESCRIPTION	1	2	3	4	5	6	7	8	9	10	11	12
	806027-04	Hose kit, RH complete			1									
	806027-05	Hose kit, RH complete				1								
	806027-06	Hose kit, RH complete					1							
	806027-07	Hose kit, RH complete						1						
1	803026	Connector			2	2	2	2						
2	805322-5	Hose assembly			2									
2	805322-6	Hose assembly				2								
2	805322-8	Hose assembly					2							
2	805322-9	Hose assembly						2						
3	805844-4	Hose assembly			1									
3	805844-5	Hose assembly				1								
3	805844-6	Hose assembly					1							
3	805844-7	Hose assembly						1						
4	M0000075	Elbow, bulkhead			4	4	4	4						
5	806318	Guide			2	2	2	2						
6	61975	Screw, M4			4	4	4	4						

6.00

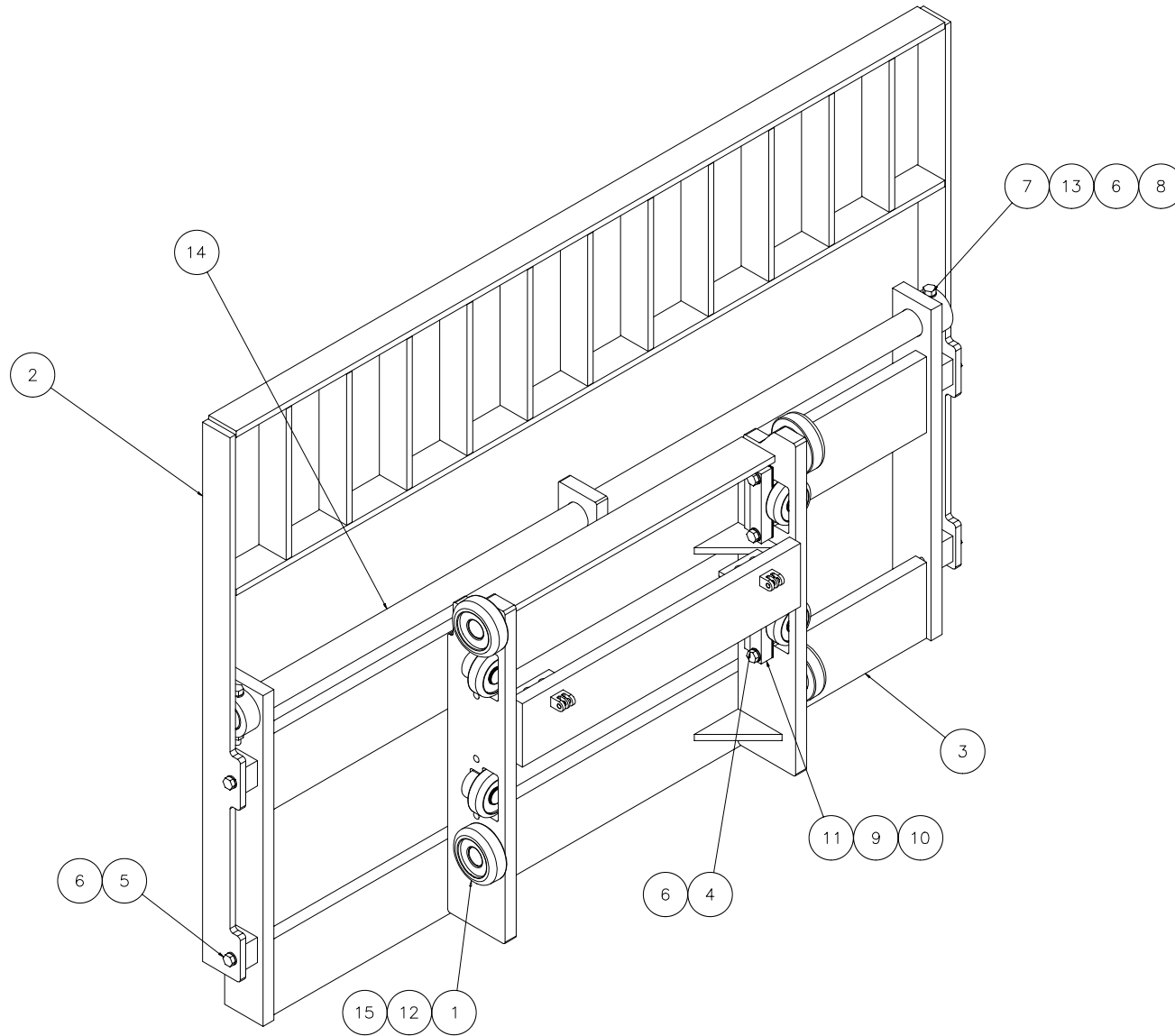
CARRIAGE, ITA TYPE



			QTY/MODEL											
1/1			CARRIAGE, ITA TYPE						1. 806917-02 2. 806917-03 3. 806917-04 4. 806917-05 5. 806917-06 6. 806917-07					
ITEM	PART NO.	DESCRIPTION	1	2	3	4	5	6	7	8	9	10	11	12
	805463-48	Carriage assembly, ITA type, 48 in. complete	1	1	1	1	1	1						
	805463-60	Carriage assembly, ITA type, 60 in. complete	1	1	1	1	1	1						
	805463-72	Carriage assembly, ITA type, 72 in. complete	1	1	1	1	1	1						
1	800802	Roller	4	4	4	4	4	4						
2	805459-48	Carriage assembly	1	1	1	1	1	1						
2	805459-60	Carriage assembly	1	1	1	1	1	1						
2	805459-72	Carriage assembly	1	1	1	1	1	1						
3	K302257	Screw	8	8	8	8	8	8						
4	K34806	Washer	32	32	32	32	32	32						
5	R19745	Roller assembly	4	4	4	4	4	4						
6	R206	Shim	4	4	4	4	4	4						
7	R2393	Washer, thrust	8	8	8	8	8	8						
8	R2394	Shim	24	24	24	24	24	24						
9	R4098	Shaft	4	4	4	4	4	4						
10	R427	Shim	4	4	4	4	4	4						
11	805435-48	LBR	1	1	1	1	1	1						
11	805435-60	LBR	1	1	1	1	1	1						
11	805435-72	LBR	1	1	1	1	1	1						
12	K44742	Washer			4	4	4	4						
13	K45754	Bolt			4	4	4	4						

7.00
------

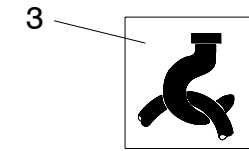
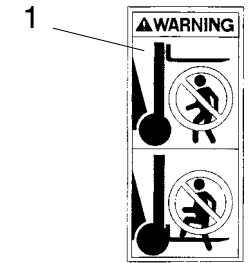
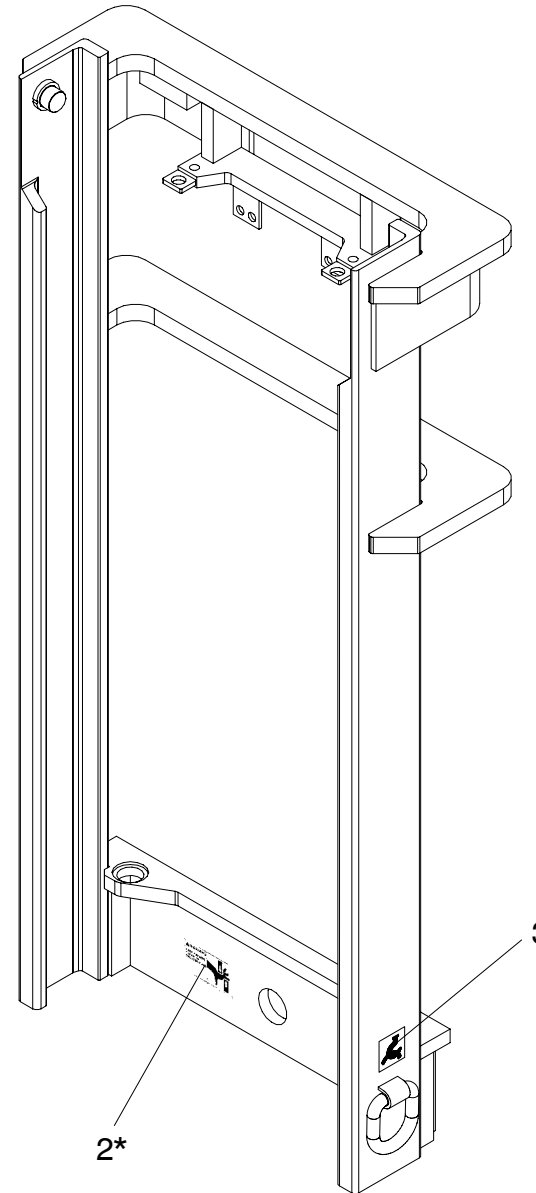
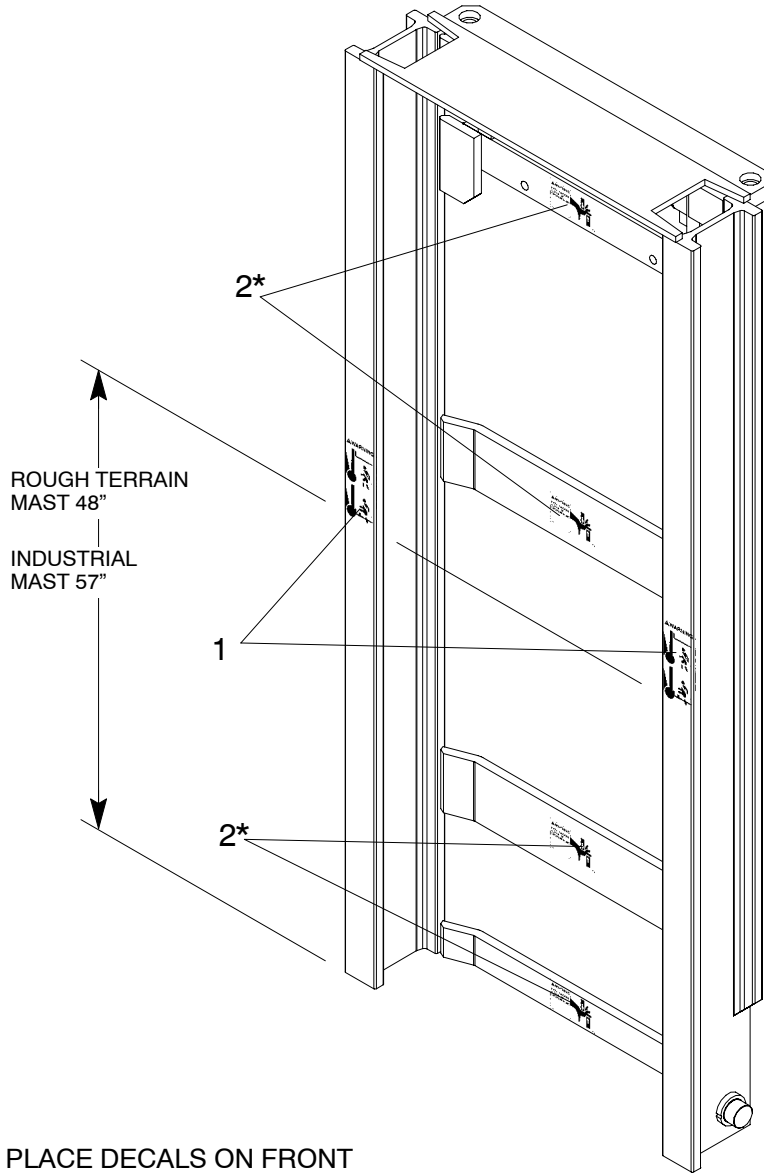
CARRIAGE, SHAFT TYPE



			QTY/MODEL											
1/1			CARRIAGE, SHAFT TYPE											
			1. 806917-2 2. 806917-3 3. 806917-4 4. 806917-5						5. 806917-6 6. 806917-7					
ITEM	PART NO.	DESCRIPTION	1	2	3	4	5	6	7	8	9	10	11	12
	805619-48	Carriage assembly, shaft type, 48 in. complete	1	1	1	1	1	1						
	805619-60	Carriage assembly, shaft type, 60 in. complete	1	1	1	1	1	1						
	805619-72	Carriage assembly, shaft type, 72 in. complete	1	1	1	1	1	1						
1	800802	Roller	4	4	4	4	4	4						
2	805509-48	LBR assembly, 48 in.	1	1	1	1	1	1						
2	805509-60	LBR assembly, 60 in.	1	1	1	1	1	1						
2	805509-72	LBR assembly, 72 in.	1	1	1	1	1	1						
3	805630-48	Carriage assembly, 48 in.	1	1	1	1	1	1						
3	805630-60	Carriage assembly, 60 in.	1	1	1	1	1	1						
3	805630-72	Carriage assembly, 72 in.	1	1	1	1	1	1						
4	K20538	Bolt	8	8	8	8	8	8						
5	K20552	Bolt	4	4	4	4	4	4						
6	K34809	Washer	14	14	14	14	14	14						
7	K45568	Bolt	2	2	2	2	2	2						
8	K55742	Nut	2	2	2	2	2	2						
9	R10392	Shim (0.06 in)	4	4	4	4	4	4						
10	R10393	Shim (0.03 in)	4	4	4	4	4	4						
11	R13275	Roller assembly, thrust	4	4	4	4	4	4						
12	R206	Shim (0.015 in)	4	4	4	4	4	4						
13	R25457	Shaft retaining bushing	2	2	2	2	2	2						
14	R25488-1	Implement bar, 48 in.	1	1	1	1	1	1						
14	R25488-2	Implement bar, 60 in.	1	1	1	1	1	1						
14	R25488-3	Implement bar, 72in.	1	1	1	1	1	1						
15	R427	Shim (0.06 in)	4	4	4	4	4	4						

8.00

DECALS



\* NOTE: PLACE DECALS ON FRONT AND BACK SIDE OF BRACING

			QTY/MODEL											
1/1			DECALS											
			2.						6.					
			3.											
			4.											
ITEM	PART NO.	DESCRIPTION	1	2	3	4	5	6	7	8	9	10	11	12
1	B6108	Decal, fork safety, 2 3/4 x 8 1/2"	A/R	A/R	A/R	A/R	A/R	A/R						
1	426641	Decal, fork safety, 2 1/4 x 5"	A/R	A/R	A/R	A/R	A/R	A/R						
2	426642	Decal, pinch point, 1 1/2 x 2 3/4"	A/R	A/R	A/R	A/R	A/R	A/R						
2	426643	Decal, pinch point, 2 1/2 x 4 1/2"	A/R	A/R	A/R	A/R	A/R	A/R						
3	24653	Decal, hook here	A/R	A/R	A/R	A/R	A/R	A/R						
4	R40	Decal, never lower forks	A/R	A/R	A/R	A/R	A/R	A/R						

9.00

# PARTS INDEX: (Part no., Item no., Page No.)

CATALOG 809781 R08-06

426641, 1, 9.00-1  
426642, 2, 9.00-1  
426643, 2, 9.00-1  
61975, 6, 5.00-1, 6.00-1  
800800, 10, 4.00-1  
800802  
    1, 7.00-1, 8.00-1  
    3, 1.00-1  
803026, 1, 5.00-1, 6.00-1  
805276, 8, 4.00-1  
805322-, 2, 5.00-1, 6.00-1  
805435-, 11, 7.00-1  
805455-, 2, 1.00-1  
805459-, 2, 7.00-1  
805463-, 7.00-1  
805509-, 2, 8.00-1  
805584-, 2.00-1  
805584K, 16, 2.00-1

805619-, 8.00-1  
805620, 10, 4.00-1  
805622, 5, 4.00-1  
805623, 13, 2.00-1  
805630-, 3, 8.00-1  
805844-, 3, 5.00-1, 6.00-1  
806026-, 5.00-1  
806027-, 6.00-1  
806318, 5, 5.00-1, 6.00-1  
806725-, 1, 2.00-1  
806726-, 2, 2.00-1  
806918-, 1, 1.00-1  
B2236-8, 6, 4.00-1  
B6108, 1, 9.00-1  
K20432, 8, 4.00-1  
K20526, 19, 2.00-1  
K20538, 4, 8.00-1  
K20552, 5, 8.00-1

K302257, 3, 7.00-1  
K332, 3, 2.00-1  
K34806, 4, 7.00-1  
K34809  
    18, 2.00-1  
    6, 8.00-1  
K44736, 6, 4.00-1  
K44742, 12, 7.00-1  
K45568, 7, 8.00-1  
K45754, 13, 7.00-1  
K55742, 8, 8.00-1  
K71B2166, 2, 4.00-1  
K72004, 3, 4.00-1  
K8-332, 4, 2.00-1  
K97612  
    15, 2.00-1  
    4, 4.00-1  
M0000075, 4, 5.00-1, 6.00-1

M0000192-361000, 5, 2.00-1  
M0000193-02000, 6, 2.00-1  
M0001150, 9, 4.00-1  
R10392, 9, 8.00-1  
R10393, 10, 8.00-1  
R10516, 11, 2.00-1  
R12711, 17, 2.00-1  
R12734-9, 7, 4.00-1  
R13275, 11, 8.00-1  
R18362, 8, 2.00-1  
R19452-1, 1, 4.00-1  
R19587, 9, 4.00-1  
R19745, 5, 7.00-1  
R206  
    12, 8.00-1  
    5, 1.00-1  
    6, 7.00-1  
R2211-8, 9, 2.00-1

R227, 5, 4.00-1  
R2393, 7, 7.00-1  
R2394, 8, 7.00-1  
R23959, 7, 4.00-1  
R25457, 13, 8.00-1  
R25488-, 14, 8.00-1  
R34-, 1, 4.00-1  
R40, 4, 9.00-1  
R4098, 9, 7.00-1  
R427  
    10, 7.00-1  
    15, 8.00-1  
    4, 1.00-1  
R5003, 2, 4.00-1  
R5217, 3, 4.00-1  
R5683, 14, 2.00-1  
R7514, 10, 2.00-1  
R9193-2, 4, 4.00-1