



MANITOU NORTH AMERICA, INC.

6401 IMPERIAL DRIVE
Waco, TX 76712-6803

***NOTE:** Manitou Forklift Manuals are continually updated and subject to change without prior notice. If your Forklift Mast Model or parts are not found in this manual, please contact your dealer or the Manitou North America Parts Department for the latest information and parts availability.*

**9000 SERIES
4 STAGE MAST
6,000 LB. BASIC CAPACITY
PARTS MANUAL**

For Parts Orders contact your Manitou North America Dealer or call:
Manitou North America, Parts Dept. 800-425-3727 or (254) 799-0232
Parts Dept. Fax: (254) 867-6504 Website: www.manitou-na.com

GENERAL INFORMATION

The purpose of this catalog is to provide illustrations for identifying and ordering Mast components/parts. Because of the multitude of Mast Models and components utilized, the illustrations provide a general description and therefore may not show the *exact* shape or detail of the components/parts represented.

The Mast parts are identified by an Item Number on the illustration or picture page. Find the Item Number for the part desired, then locate that Item Number under the "Items" column following the illustration. The Part Number will be located directly to the right of the Item Number. Also provided is a part Description, Quantity of parts required and the mast Model number.

Most important when ordering parts, is providing the correct serial number as assigned to the mast at the factory. Keep accurate records of all modifications or improvements made to the mast after manufacture. (All Mast modifications must be authorized by K-D Manitou.) Notify the Parts Dept. of any changes that may affect your parts order.

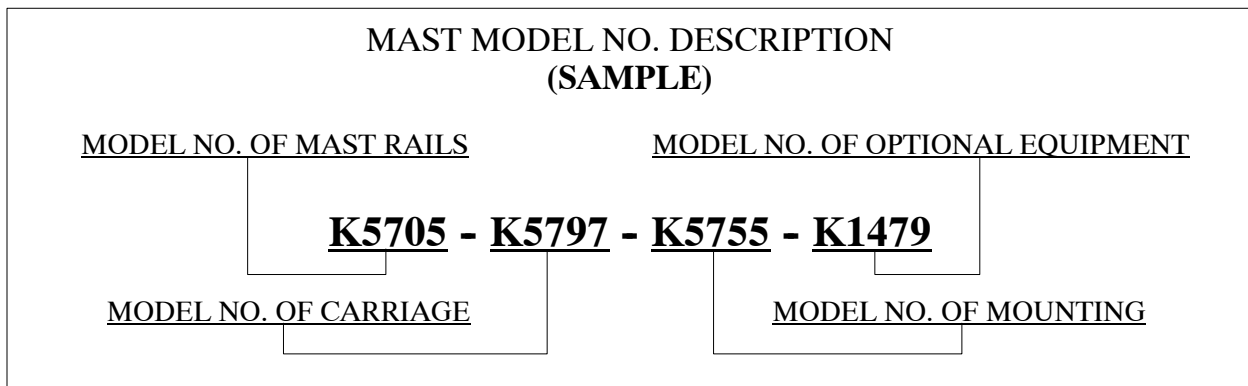
When ordering Mast parts or requesting technical information, the following numbers are required:

Mast Model Number: _____

Mast Serial Number: _____

For quick reference it is recommended these numbers be recorded as soon as possible.

The Mast Model Number is stamped on the Identification Plate located on the right side (as viewed from the driver's seat) of the Outer Rail, at or above eye level.

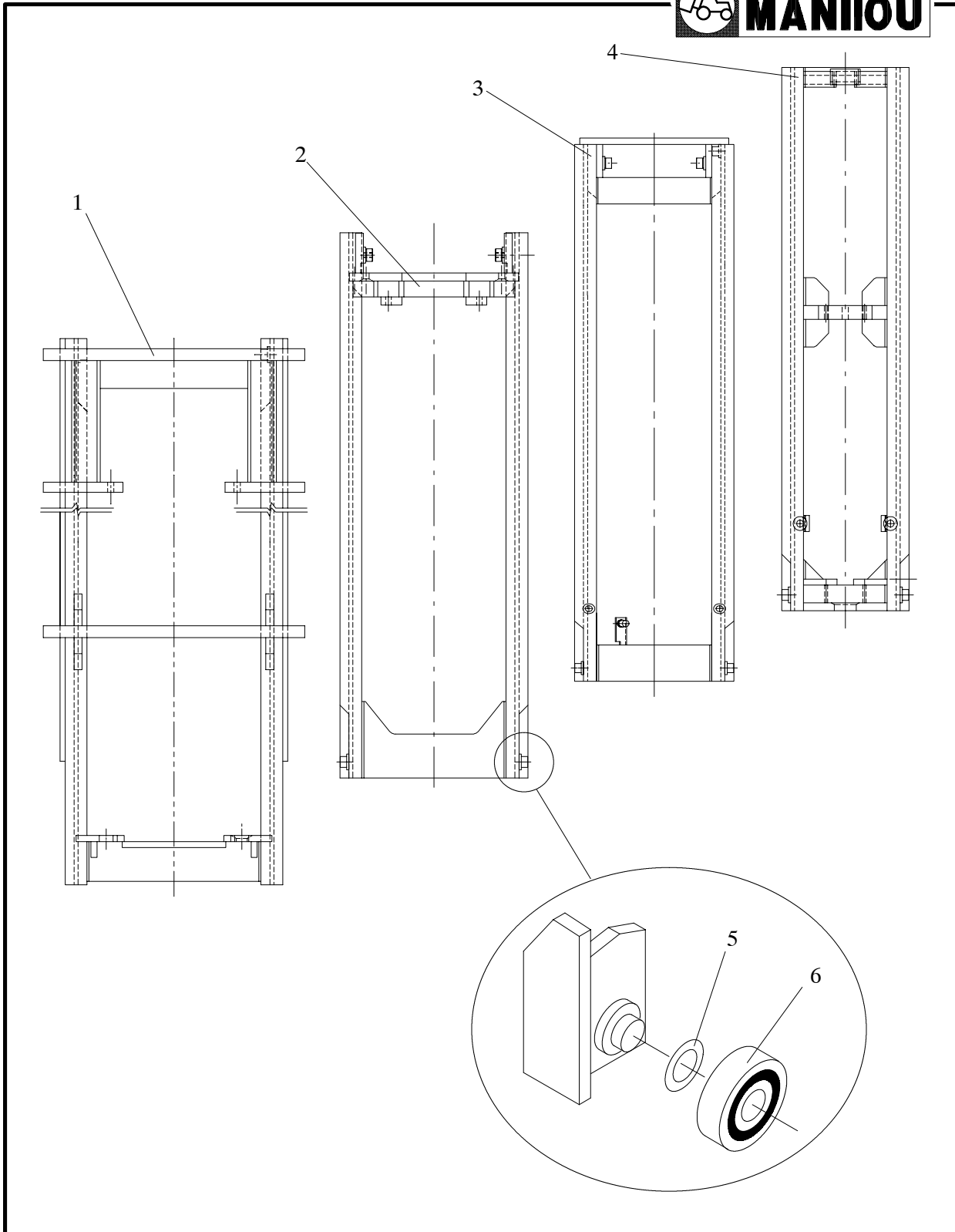


For Parts Orders contact your ***K-D Manitou Dealer*** or call:
K-D Manitou, Inc., Parts Department 1-800-425-3727 or (254) 799-0232.
Parts Dept. Fax: (254) 867-6504 Website: www.kdmanitou.com

CONTENTS

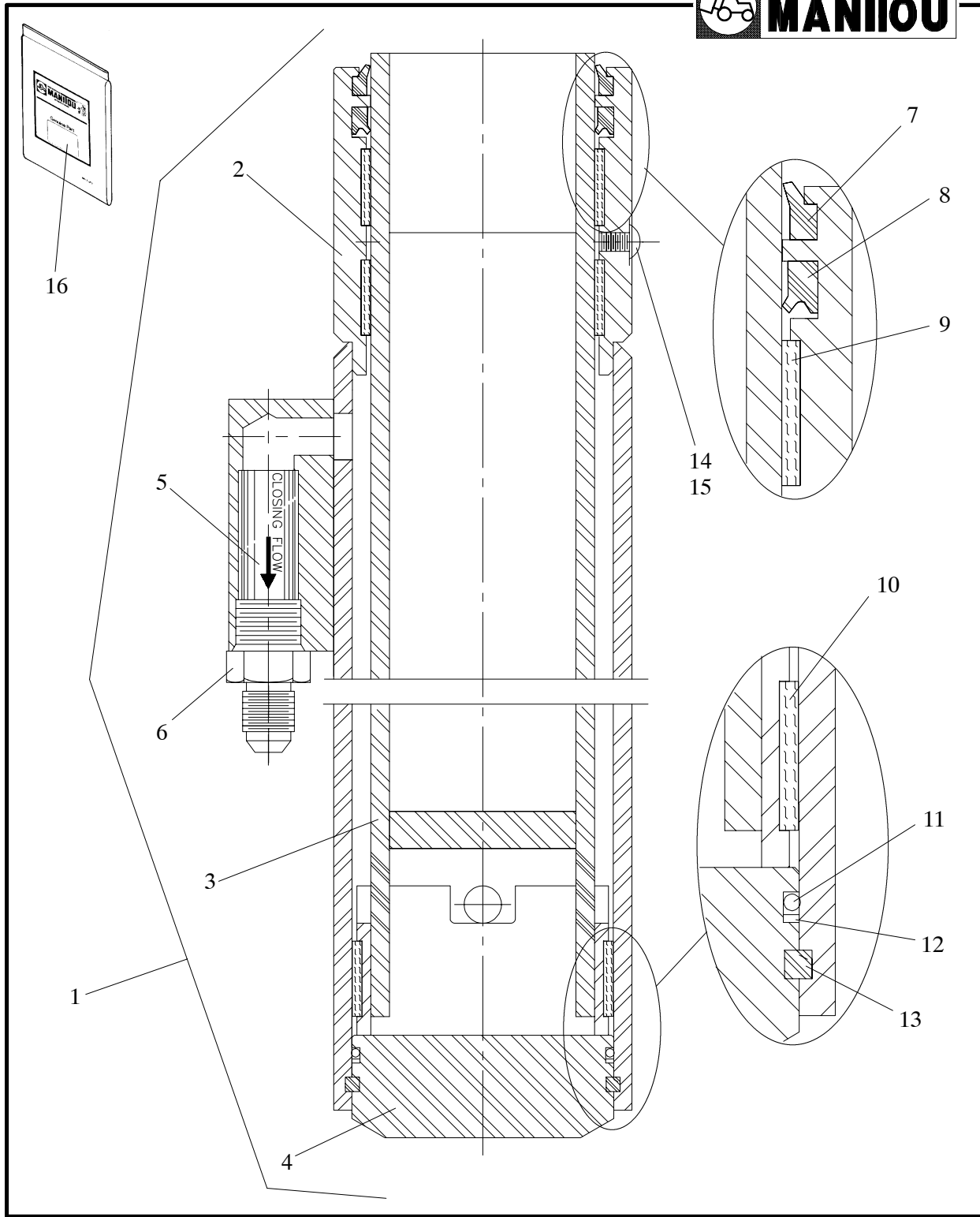
DESCRIPTION	PAGE
RAIL SYSTEM	2
PRIMARY CYLINDER	4
SECONDARY CYLINDER (LEFT HAND)	6
SECONDARY CYLINDER (RIGHT HAND)	8
CHAIN ASSEMBLIES	10
HYDRAULIC SYSTEM	12
INTERNAL 3-WAY HOSE KIT	14
CARRIAGE, MODEL K8099	16
MAST DECALS	Supplement
PARTS INDEX	Supplement

RAIL SYSTEM



ITEM	PART NUMBER	DESCRIPTION	QTY	MODEL
1	R24305-3	Outer Rail Assembly	1	K9003
2	R24310-3	Outer Intermediate Rail	1	K9003
3	R24315-3	Inner Intermediate Rail	1	K9003
4	R24320-3	Inner Rail Assembly	1	K9003
5	R206	Shim	A/R	ALL
6	R1	Roller	12	

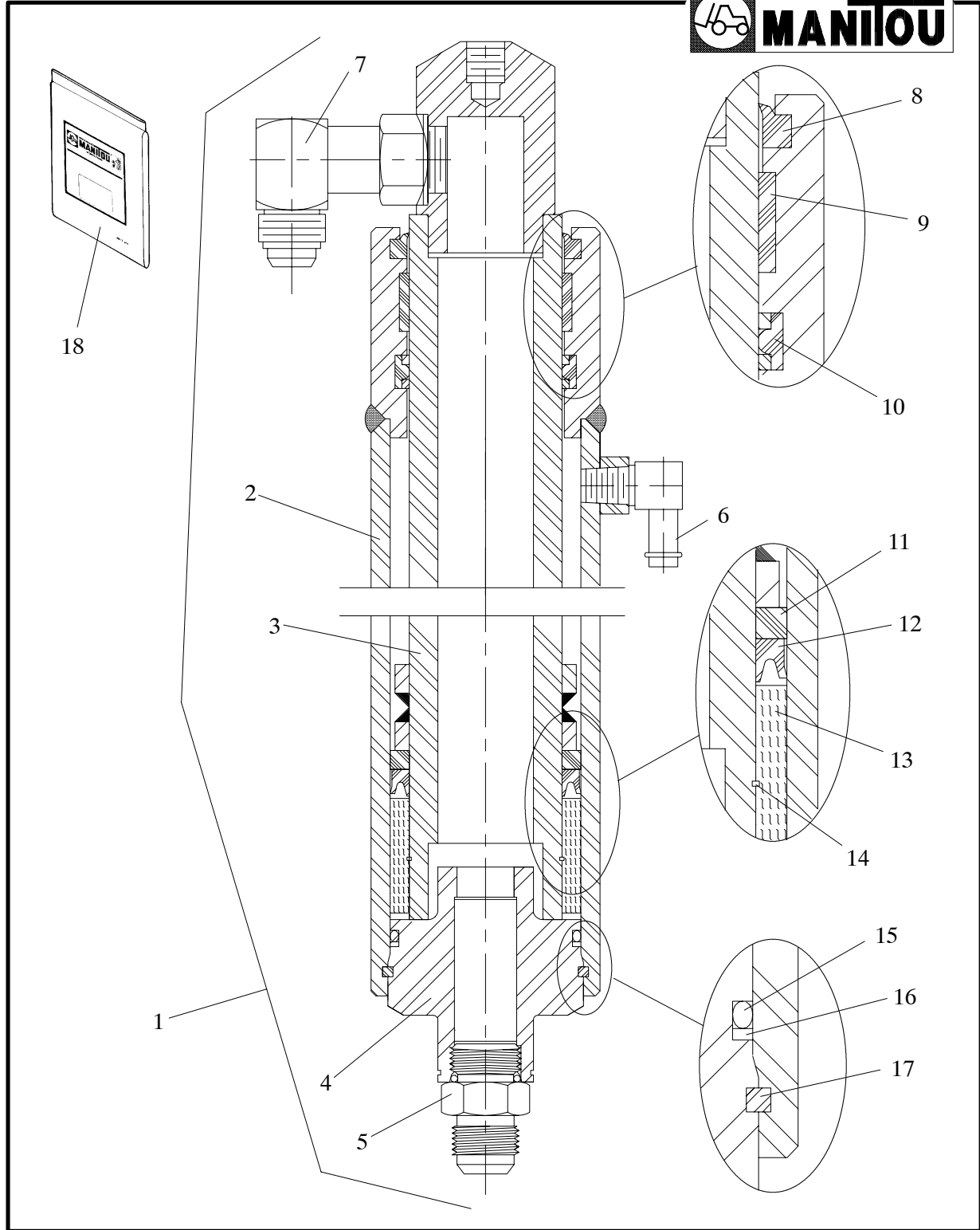
PRIMARY CYLINDER



ITEM	PART NUMBER	DESCRIPTION	QTY	MODEL
1	R22305-20	Primary Cylinder Assembly	1	K9003
2	R22620-20	Barrel Assembly	1	K9003
3	R22625-20	Piston Assembly	1	K9003
4	R22622	Plug, Base	1	ALL
5	R8452	Fuse	1	
6	R62-8-10	Fitting	1	
7*	- - - -	Seal, Wiper	1	
8*	- - - -	Seal, Rod	1	
9	R5229	Ring, Wear	2	
10	R5231	Ring, Wear	1	
11*	- - - -	"O" Ring	1	
12*	- - - -	Ring, Back-up	1	
13	R2211-3	Wire, Lock	1	
14	R2551	Screw, Button Head	1	
15	R2552	Seal, Washer	1	
16	R10500K	Kit, Seal	1	

* Included in Seal Kit R10500K (Item 16).

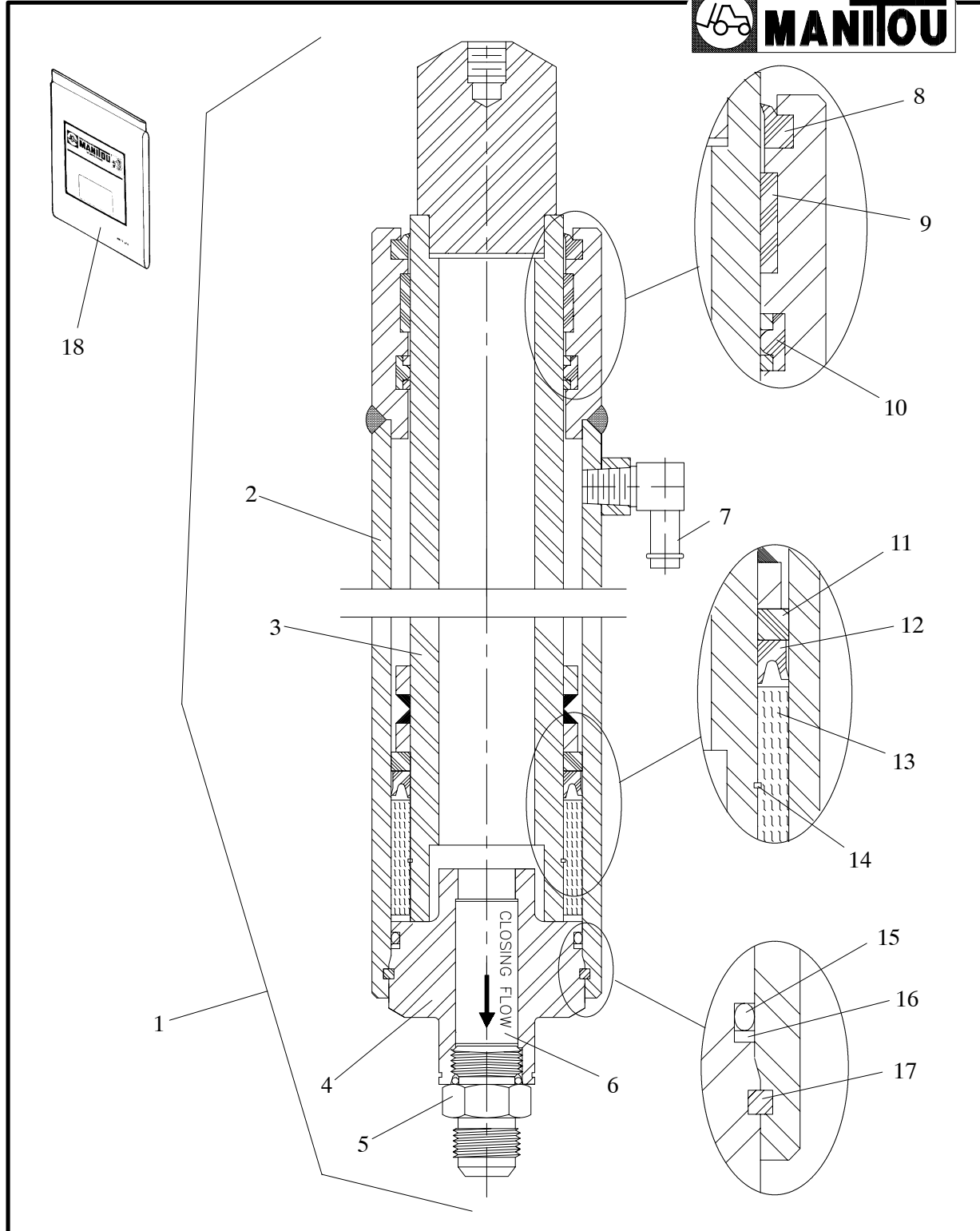
SECONDARY CYLINDER (LEFT HAND)



ITEM	PART NUMBER	DESCRIPTION	QTY	MODEL
1	R22175-20	Secondary Cyl. Assembly, (L.H.)	1	K9003
2	R23085-20	Barrel Assembly	1	K9003
3	R22635-20	Piston Assembly	1	K9003
4	R22639	Plug	1	ALL
5	K62-10	Adaptor	1	
6	R12256	Fitting, Hose	1	
7	R22176	Fitting	1	
8*	-----	Seal, Wiper	1	
9	R5222	Ring, Wear	1	
10*	-----	Seal (3 pieces)	1	
11	R13459	Modular Ring	1	
12*	-----	Seal, Piston	1	
13	R10519	Ring, Wear	1	
14	R10529	Snap Ring	1	
15*	-----	"O" Ring	1	
16*	-----	Ring, Back-up	1	
17	R4573-2	Wire, Lock	1	
18	R10515K	Kit, Seal	1	

* Included In Seal Kit R10515K (Item 18).

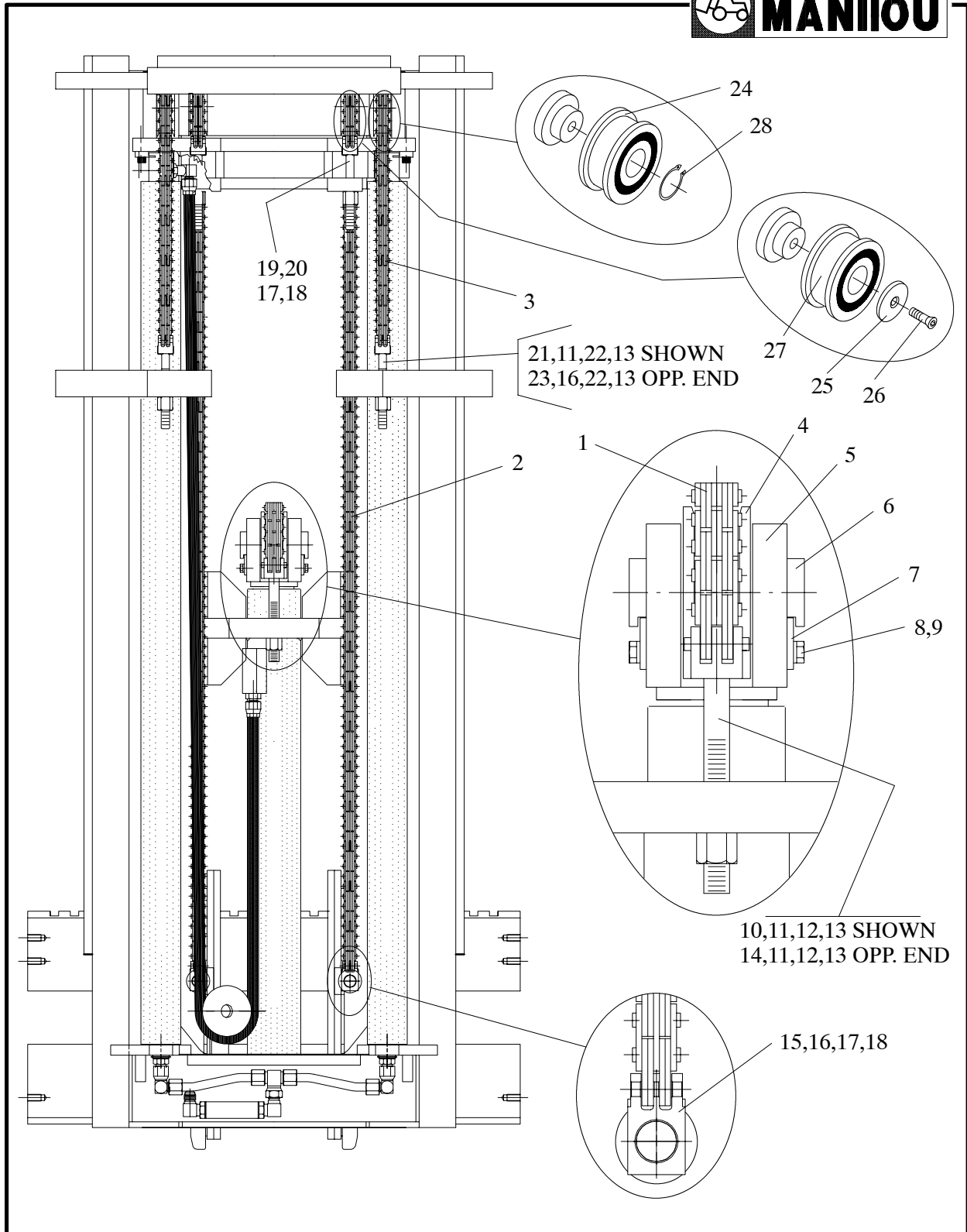
SECONDARY CYLINDER (RIGHT HAND)



ITEM	PART NUMBER	DESCRIPTION	QTY	MODEL
1	R22170-20	Secondary Cyl. Assembly, (R.H.)	1	K9003
2	R22630-20	Barrel Assembly	1	K9003
3	R22640-20	Piston Assembly	1	K9003
4	R22639	Plug	1	ALL
5	K62-10	Adaptor	1	
6	R5138	Fuse	1	
7	R12256	Fitting, Hose	1	
8*	-----	Seal, Wiper	1	
9	R5222	Ring, Wear	1	
10*	-----	Seal (3 pieces)	1	
11	R13459	Modular Ring	1	
12*	-----	Seal, Piston	1	
13	R10519	Ring, Wear	1	
14	R10529	Snap Ring	1	
15*	-----	"O" Ring	1	
16*	-----	Ring, Back-up	1	
17	R4573-2	Wire, Lock	1	
18	R10515K	Kit, Seal	1	

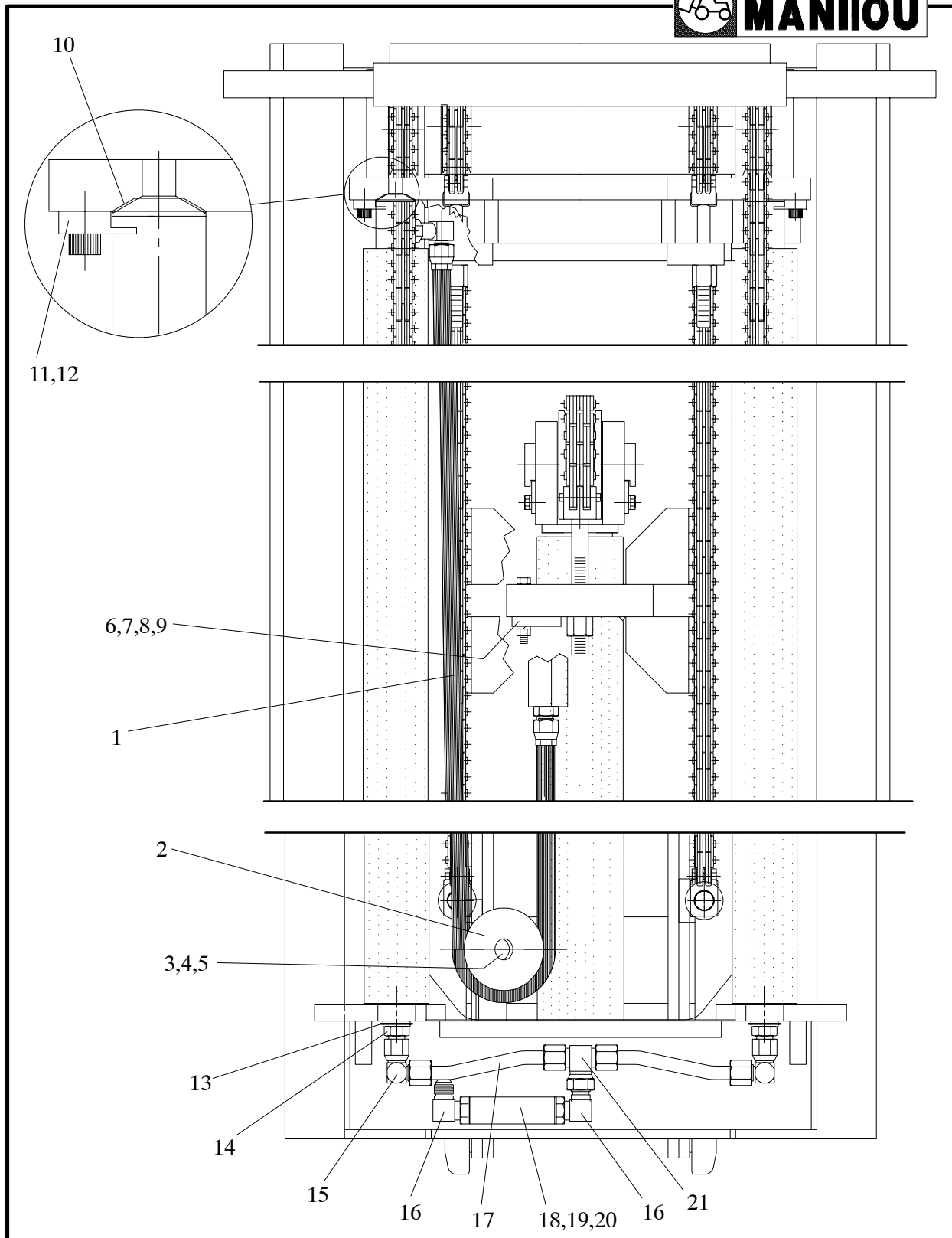
* Included In Seal Kit R10515K (Item 18).

CHAIN ASSEMBLIES



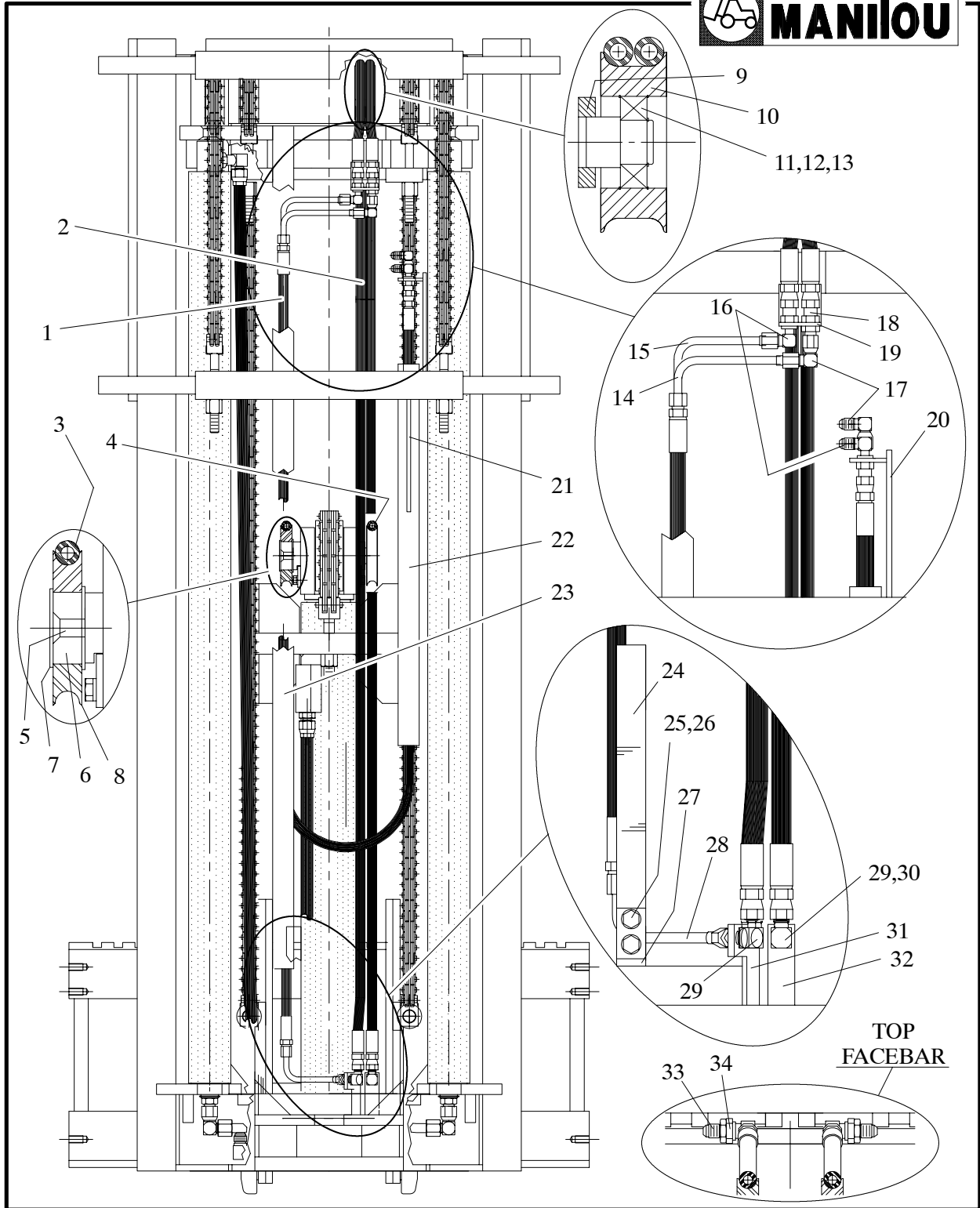
ITEM	PART NUMBER	DESCRIPTION	QTY	MODEL
1	R9481-11	Chain, Primary	1	K9003
2	R22137-25	Chain, Secondary	2	K9003
3	R9481-31	Chain, Tertiary	2	K9003
4	R9475	Sheave, Primary Chain	1	ALL
5	R22310	Cross Head Assembly	1	
6	R22742	Shaft, Chain Sheave	1	
7	R18668	Clip	2	
8	K20428	Bolt, Hex	2	
9	K34807	Washer, Lock	2	
10	R9482	Chain Anchor	1	
11	R32	Nut, Lock	4	
12	R189-3	Chain Pin	2	
13	K72016	Cotter Pin	12	
14	R9484-4	Chain Anchor	1	
15	R23938	Chain Anchor	2	
16	K97527	Snap Ring, External	4	
17	R9054	Chain Pin	4	
18	K72004	Cotter Pin	16	
19	R22147-1	Chain Anchor	2	
20	R227	Nut, Lock	4	
21	R9482	Chain Anchor	2	
22	R189-3	Chain Pin	4	
23	R24277	Chain Anchor	2	
24	R186	Sheave	2	
25	R5183	Washer, Retaining	2	
26	R5846	Screw, Flat Hd Socket	2	
27	R23202	Sheave	2	
28	K97545	Snap Ring, External	2	

HYDRAULIC SYSTEM



ITEM	PART NUMBER	DESCRIPTION	QTY	MODEL
1	B760-1415	Hose Assembly		K9003
2	R19881	Hose Sheave	1	ALL
3	R2362	Bushing	1	
4	R7332	Snap Ring, Internal	2	
5	R7333	Snap Ring, External	1	
6	K45534	Bolt, Hex	4	
7	R22652	Clip, Primary Cylinder	2	
8	K34807	Washer, Lock	4	
9	K33799	Nut, Hex	4	
10	R5288	Spacer	A/R	
11	R22668	Clip, Secondary Cylinder	2	
12	R2381	Screw, Cap	2	
13	K97533	Snap Ring, External	2	
14	K62-10	Adapter	2	
15	K71-10	Fitting, Elbow	2	
16	K66-10	Fitting, Elbow	2	
17	R22745	Tube Assembly	2	
18	R5217	Flow Regulator	1	
19	K97612	Snap Ring, Internal	2	
20	R5003	Flow Regulator Body	1	
21	K72-10	Fitting	1	

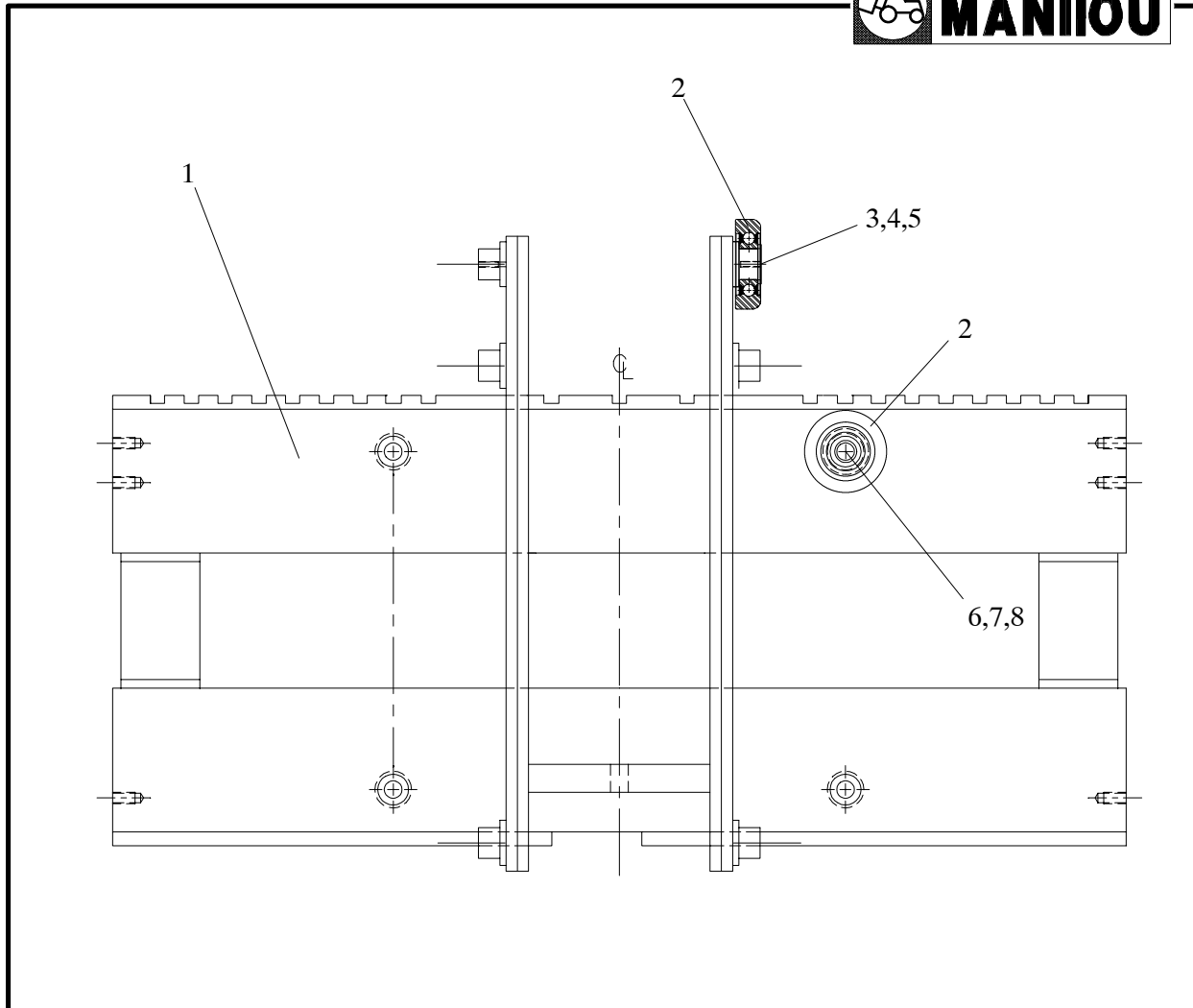
INTERNAL 3-WAY HOSE KIT



ITEM	PART NUMBER	DESCRIPTION	QTY	MODEL
1*	----	Hose Assembly	2	K9003
2*	----	Hose Assembly	2	K9003
3*	----	Hose Assembly	1	K9003
4*	----	Hose Assembly	1	K9003
5	R4858	Screw, Socket Hd	2	ALL
6	R22802	Stub Shaft, Hose Sheave	2	
7	R23959	Washer, Flat	2	
8	R22916	Sheave, Hose	2	
9	R22875	Bracket, Hose Sheave	2	
10	R22806	Sheave, Hose	2	
11	R2362	Bearing, Hose Sheave	1	
12	R7332	Snap Ring, Internal	2	
13	K97529	Snap Ring, External	1	
14	R22870	Tube Assembly	1	
15	R22865	Tube Assembly	1	
16	K108-6	Fitting, Blkhd Elbow	2	
17	K71-6	Fitting, Elbow	2	
18	K104-6	Blkhd Union	1	
19	R22808	Blkhd Brkt	1	
20	R22860	Blkhd Brkt	1	
21	R12734-6	Bar	1	
22	R13723-21	Channel, Hose Guide	1	
23	R13723-22	Channel, Hose Guide	1	
24	R22861	Bracket	1	
25	K20348	Bolt, Hex	2	
26	K34807	Washer, Lock	2	
27	R22809	Block, Mounting	1	
28	R22855	Tube Assembly	1	
29	K108-6	Fitting, Blkhd Elbow	2	
30	K71-6	Fitting, Elbow	1	
31	R22872	Blkhd Brkt	1	
32	R22871	Blkhd Brkt	1	
33	K108-6	Fitting, Blkhd Elbow	2	
34	R9118	Blkhd Brkt	2	

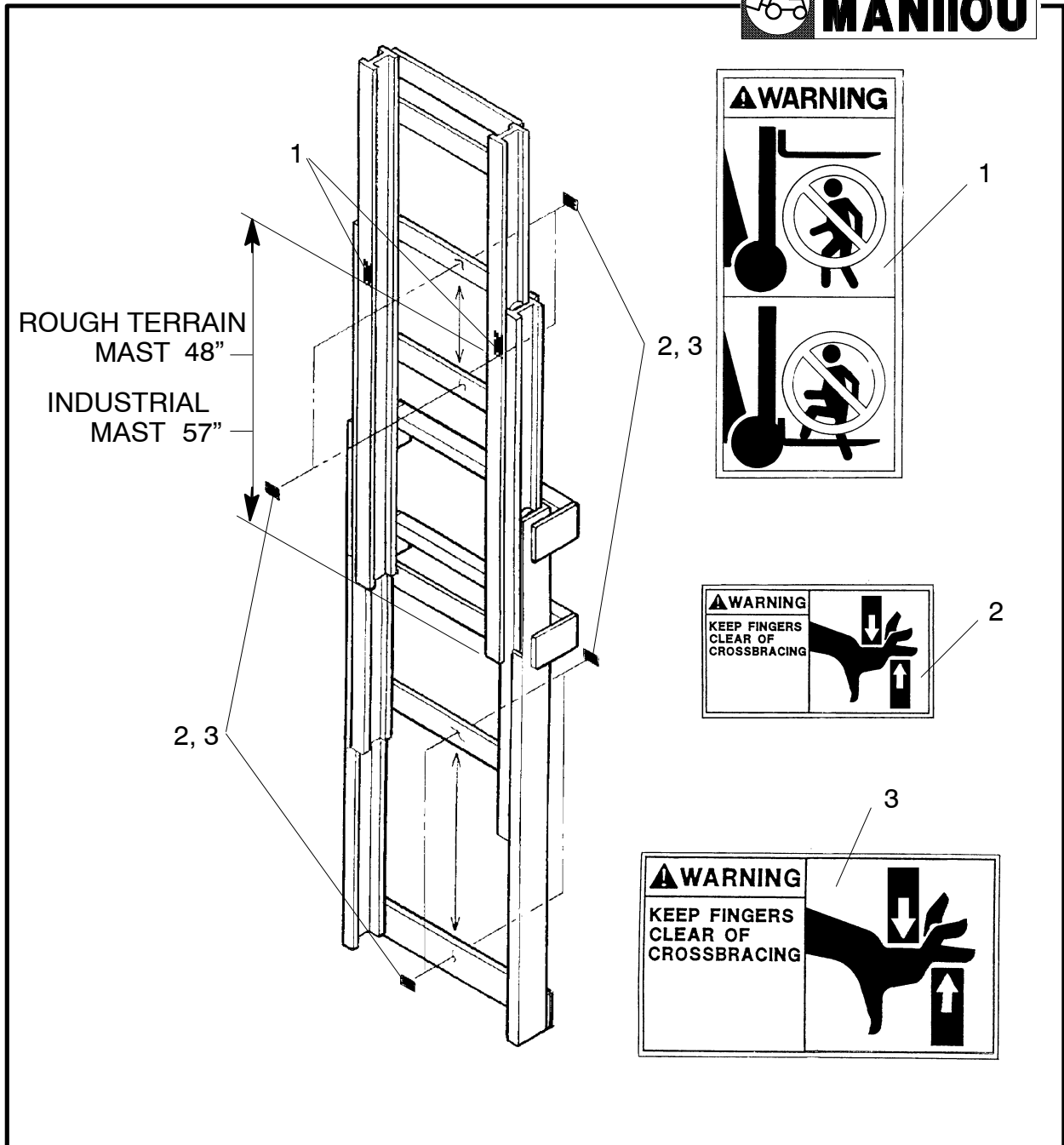
* Not yet released, contact local dealer to verify.

CARRIAGE, MODEL K9099



ITEM	PART NUMBER	DESCRIPTION	QTY	MODEL
1	R24335-2	Carriage Weldment	1	ALL
2	R1	Roller	10	
3	R206	Shim	A/R	
4	R2389	Thrust Washer	2	
5	R1811	Screw, Socket Hd	2	
6	R3561	Eccentric Shaft	4	
7	R3564	Lock Bolt	4	
8	K97535	Snap Ring	4	

DECALS



ITEM	PART NUMBER	DESCRIPTION	QTY	MODEL
1	426641	Decal, "Fork Safety"	2	ALL
2	426642	Decal, "Pinch Point" (Small)	A/R	
3	426643	Decal, "Pinch Point" (Large)	A/R	

PARTS INDEX

PART NO., PAGE

B760-, 13, 15	R13459, 7, 9	R22745, 13	R2552, 5
K104-6, 15	R13723-21, 15	R22802, 15	R32, 11
K108-6, 15	R13723-22, 15	R22806, 15	R3561, 16
K20348, 15	R1811, 16	R22808, 15	R3564, 16
K20428, 11	R186, 11	R22809, 15	R4573-2, 7, 9
K33799, 13	R18668, 11	R22855, 15	R4858, 15
K34807, 11, 13, 15	R189-3, 11	R22860, 15	R5003, 13
K45534, 13	R19881, 13	R22861, 15	R5138, 9
K62-10, 7, 9, 13	R206, 3, 16	R22865, 15	R5183, 11
K66-10, 13	R2211-3, 5	R22870, 15	R5217, 13
K71-10, 13	R22137-, 11	R22871, 15	R5222, 7, 9
K71-6, 15	R22147-1, 11	R22872, 15	R5229, 5
K72-10, 13	R22170-, 9	R22875, 15	R5231, 5
K72004, 11	R22175-, 7	R22916, 15	R5288, 13
K72016, 11	R22176, 7	R23085-, 7	R5846, 11
K97527, 11	R22305-, 5	R23202, 11	R62-8-10, 5
K97529, 15	R22310, 11	R2362, 13, 15	R7332, 13, 15
K97533, 13	R22620-, 5	R2381, 13	R7333, 13
K97535, 16	R22622, 5	R2389, 16	R8452, 5
K97545, 11	R22625-, 5	R23938, 11	R9054, 11
K97612, 13	R22630-, 9	R23959, 15	R9118, 15
R1, 3, 16	R22635-, 7	R24277, 11	R9475, 11
R10500K, 5	R22639, 7, 9	R24305-3, 3	R9481-, 11
R10515K, 7, 9	R22640-, 9	R24310-3, 3	R9482, 11
R10519, 7, 9	R22652, 13	R24315-3, 3	R9484-4, 11
R10529, 7, 9	R22668, 13	R24320-3, 3	
R12256, 7, 9	R227, 11	R24335-2, 16	
R12734-6, 15	R22742, 11	R2551, 5	