



MANITOU NORTH AMERICA, INC.

6401 IMPERIAL DRIVE
Waco, TX 76712-6803

NOTE: *Manitou Forklift Manuals are continually updated and subject to change without prior notice. If your Forklift Model or parts are not found in this manual, please contact your dealer or the Manitou North America Parts Department for the latest information and parts availability.*

**K-D HAWK
30-2/4 H**

**HYDROSTATIC & 4-SPEED
TRANSMISSIONS
- TIER II ENGINE -**

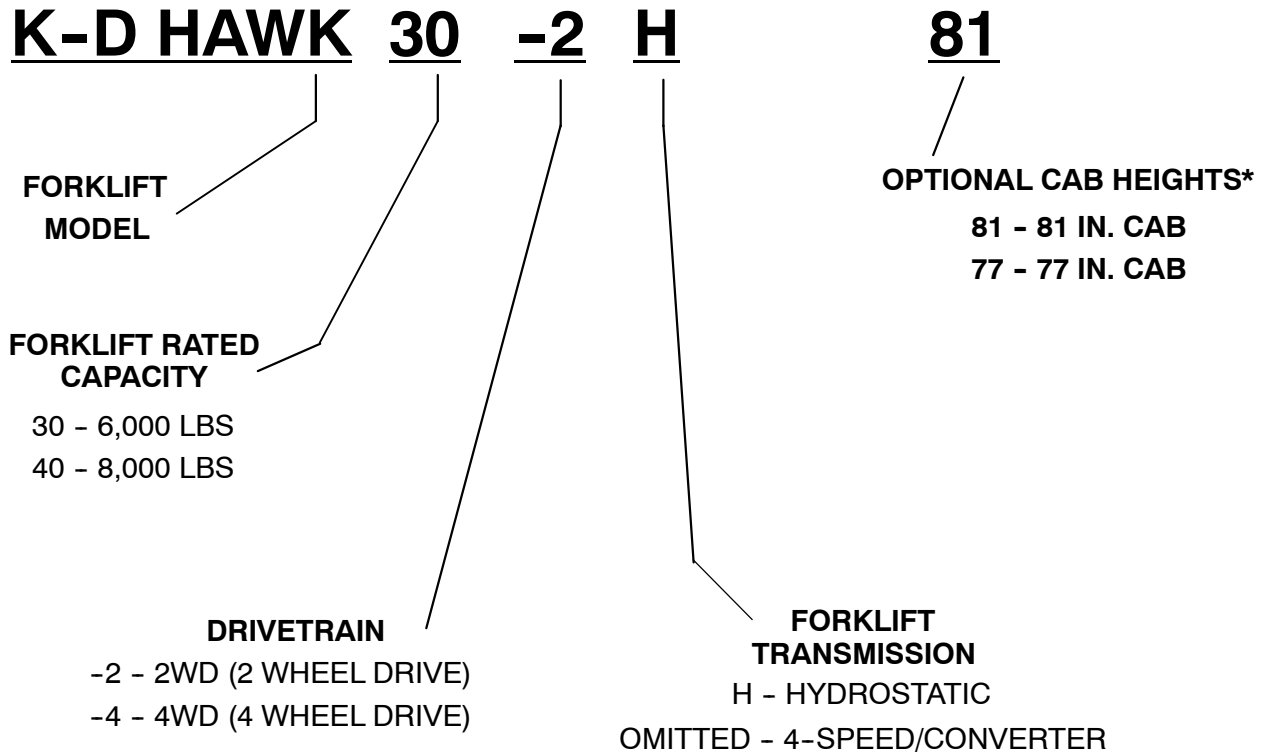
PARTS MANUAL

S/N: 752093 & above (including 751211)

For Parts Orders contact your Manitou North America Dealer or call:
Manitou North America, Parts Dept. 800-425-3727 or (254) 799-0232
Parts Dept. Fax: (254) 867-6504 Website: www.manitou-na.com

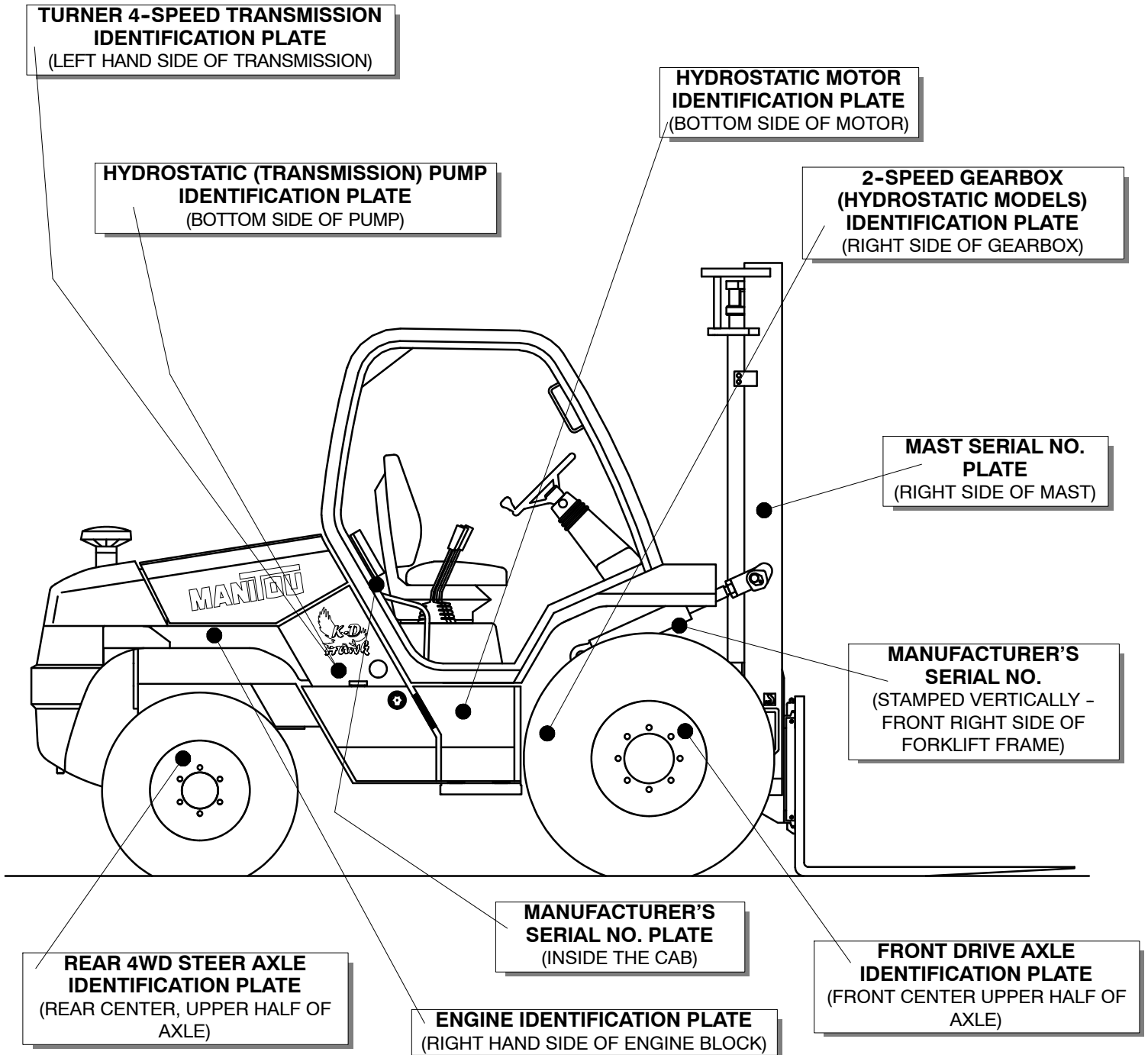
K-D HAWK TIER II FORKLIFT MODEL DESCRIPTION

**TIER II MODELS ARE READILY IDENTIFIED BY SILVER COLORED
WHEELS AND BLACK FRONT/REAR AXLES**



* Dimensions may vary depending on tires, additional options, etc.

K - D H A W K T I E R I I
P O W E R T R A I N C O M P O N E N T
I D E N T I F I C A T I O N



GENERAL INFORMATION

The purpose of this catalog is to provide illustrations for identifying and ordering assorted forklift parts. The illustrations provide a general description and may not show the *exact* shape or detail of the parts or components represented.

The parts are identified by an Item number on the Illustration Page. Find the Item Number for the part desired, then locate that Item Number under the "Items" column on the parts page. The part number will be located directly to the right of the Item Number. Also provided is a part description, dimensions (where necessary), quantity of parts required and the Truck Model Identification.

Manitou North America, Inc. continues to improve product design as new technologies are developed, and reserves the right to make revisions without prior notice. Please contact your nearest dealer or the Manitou North America Parts Dept. if you have any questions.

When ordering parts or requesting technical information, the following numbers are required:

Truck Model No: _____

Serial No: _____

Mast Model No: _____

Serial No: _____

Engine Name (Cat or Perkins): _____

Engine (List) No: _____

Transmission (Hydrostatic or 4-Speed): _____

Model (MANITOU) reference: _____

Serial No: _____

Hydrostatic Motor (Hydrostatic Models only): _____

Model No: _____

Serial No: _____

2-Speed Gearbox Model No. (Hydrostatic Models only): _____

Serial No: _____

Front Drive Axle No: _____

MANITOU reference: _____

Serial No: _____

Rear Drive Axle No. (4WD only): _____

MANITOU reference: _____

Serial No: _____

Attachment Model No: _____

Serial No: _____

For quick reference it is recommended these numbers be recorded as soon as possible.

ALPHABETICAL CONTENTS

CATALOG 806340, R05-08

Description, Page Number

ACCELERATOR PEDAL ASSEMBLY, (21.00), 6BB158	FILTERS AND BELTS, (1.00), 2AA165
AIR INTAKE SYSTEM, INSTALLATION, (4.00), 4AA623	FRAME, COUNTERWEIGHTS AND STEPS, (16.00), 6AA374
ALTERNATOR, (64.00), AP1565	FRONT DRIVE AXLE AND DRIVESHAFT INSTALLATION, (17.00), 6AA369
BRAKE SYSTEM ASSEMBLY, HYDRAULIC, (20.00), 6BB156	FUEL SYSTEM, ENGINE, (14.00), 4AC217
CAB ASSEMBLY AND FENDERS, 4-SPEED TRANS., (25.00), 8AA500	FUEL TANK ASSEMBLY, (13.00), 4AC216
CAB ASSEMBLY AND FENDERS, HYDROSTATIC, (26.00), 8AA501	GEAR LEVER ASSEMBLY, 4-SPD TRANS, (9.00), 4AA607
CAB MOUNTING ASSEMBLY, (27.00), 8AA502	GEARBOX, HYDROSTATIC, 2-SPEED REDUCTION, (68.00), AX1851
DECALS, (51.00), 12AA461	HEATER, FIREWALL, (32.00), 8AD202
DRIVE AXLE, FRONT, (69.00), AX1852	HYDRAULIC DIFFERENTIAL LOCKING ASSEMBLY, (41.00), 10AF562
DRIVE AXLE, FRONT, CASING, (70.00), AX1412	HYDRAULIC SYSTEM, PUMP AND CONTROLS, (39.00), 10AE763
DRIVE AXLE, FRONT, DIFFERENTIAL, (71.00), AX1449	HYDRAULIC TANK ASSEMBLY, 4-SPEED TRANSMIS- SION, (35.00), 10AA633
DRIVE AXLE, FRONT, DISC BRAKES, (73.00), AX1415	HYDRAULIC TANK ASSEMBLY, HYDROSTATIC TRANS- MISSION, (36.00), 10AA634
DRIVE AXLE, FRONT, REDUCTION GEAR, (72.00), AX1450	HYDRAULIC VALVE BANK ASSEMBLY, (44.00), 10DA318
ELECTRICAL ASSEMBLY, 4-SPEED, (45.00), 11AA1033	HYDROSTATIC (TRANS) SYSTEM ASSEMBLY 1 OF 2, (10.00), 4AB149
ELECTRICAL ASSEMBLY, HYDROSTATIC, (46.00), 11AA1034	HYDROSTATIC (TRANS) SYSTEM ASSEMBLY 2 OF 2, (11.00), 4AB151
ENGINE COVER AND COUNTERWEIGHT COVER, (34.00), 9AA323	HYDROSTATIC GEARBOX HYDRAULICS, (12.00), 4AB152
ENGINE SHUTDOWN KIT, (48.00), 11CD132	HYDROSTATIC INCHING VALVE, TH7, (12.00), 4AB152
ENGINE, ROCKER ARMS, (56.00), AP1557	HYDROSTATIC GEARBOX SOLENOID HARNESS, (49.00), 11CD133
ENGINE, TIMING GEAR AND CAM, (57.00), AP1558	HYDROSTATIC MOTOR, (80.00), BC108
ENGINE, COMPLETE, (52.00), AP1842	MAST MOUNTING HARDWARE, (15.00), 5AA101
ENGINE, CRANKSHAFT, (54.00), AP1555	MAST SIDE-SHIFT CYLINDER ASSEMBLY, 1ST, 2ND AND 3RD MOUNTING, (40.00), 10AE737
ENGINE, CYLINDER BLOCK, (53.00), AP1554	MAST TILT CYLINDER ASSEMBLY, 1ST AND 2ND MOUNTING, (40.00), 10AE737
ENGINE, CYLINDER HEAD, (55.00), AP1556	MAST TILT CYLINDER ASSEMBLY, 2ND MOUNTING, (40.01), 10AE762
ENGINE, CYLINDER HEAD OUTLETS, (61.00), AP1562	OIL COOLER, DRIVE AXLE, TORQUE CONVERTER, (8.00), 4AA626
ENGINE, EXHAUST MANIFOLD, (63.00), AP1564	OIL COOLER, HYDRASTATIC, (37.00), 10AA635
ENGINE, FLYWHEEL HOUSING, (65.00), AP1566	PARKING BRAKE LEVER ASSEMBLY, (19.00), 6BA54
ENGINE, GASKET SETS, (67.00), AP1568	PARKING BRAKE SYSTEM, (18.00), 6BA215
ENGINE, OIL FILTER BRACKET, (60.00), AP1561	RADIATOR COOLER TRAYS, (6.00), 4AA625
ENGINE, OIL PUMP AND PAN, (58.00), AP1559	SEAT ASSEMBLY, HIGH BACK, (30.00), 8AA481
ENGINE, RADIATOR AND MUFFLER MOUNTINGS, (5.00), 4AA624	SEAT ASSEMBLY, LOW BACK, (29.00), 8AA480
ENGINE, ROCKER ARM COVER AND BREATHER, (59.00), AP1560	
ENGINE, STARTER MOTOR, (66.00), AP1567	
ENGINE, WATERPUMP, (62.00), AP1563	
FILTER ASSEMBLIES, HYDRAULIC TANK, (38.00), 10AA636	

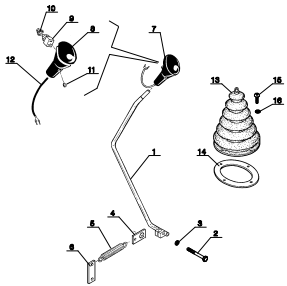
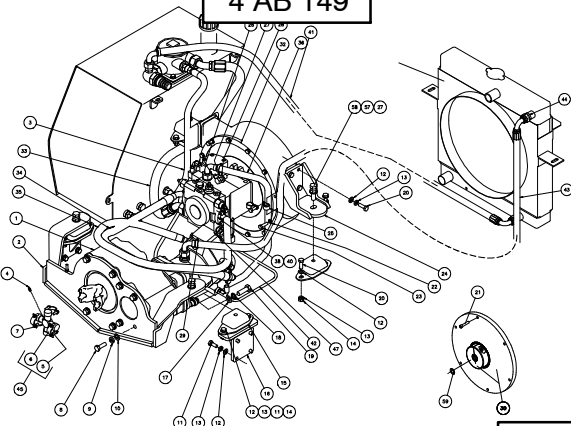
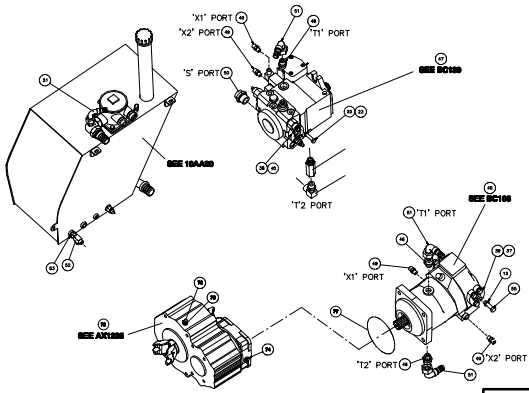
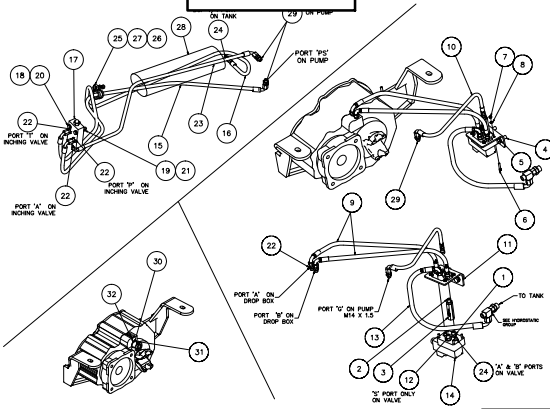
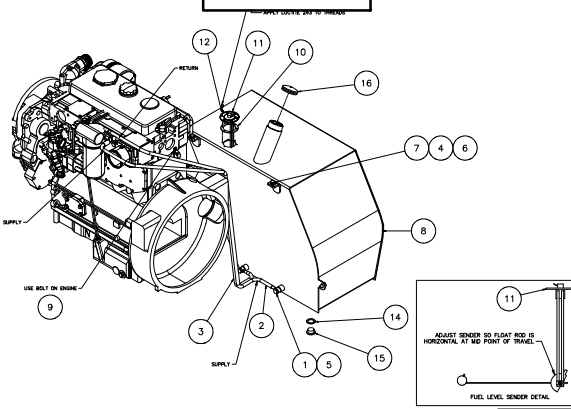
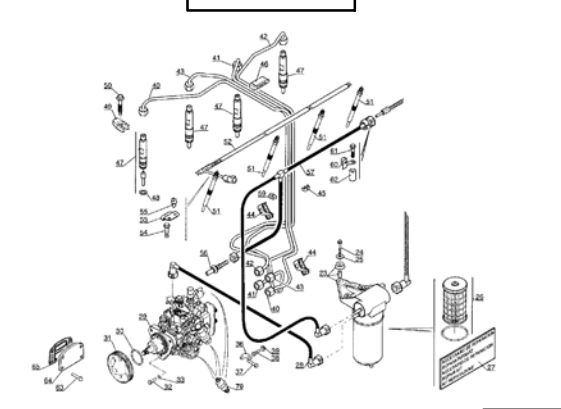
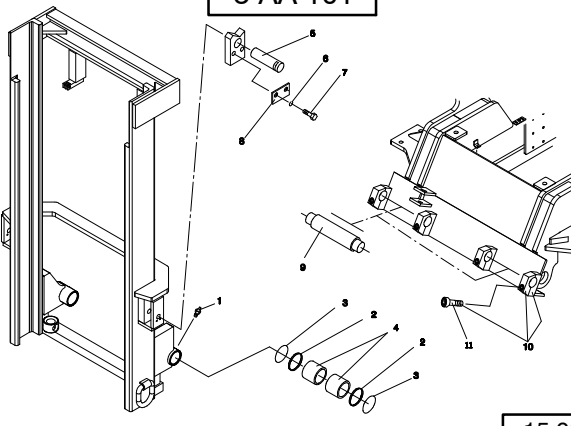
ALPHABETICAL CONTENTS

CATALOG 806340, R05-08

Description, Page Number

SENSORS, ENGINE AND TRANSMISSION, (50.00), 11CD130	TIRES AND WHEELS, REAR, (3.00), 3AA249
SIDE PANELS, REAR FENDERS, AND HOOD LIFT CYL- INDER, (33.00), 9AA322	TRANSMISSION INSTALLATION, 4-SPEED, (7.00), 4AA606
STEER AXLE CASING, 4WD, (75.00), AX1856	TRANSMISSION, 4-SPEED, 2WD, (82.00), BP177
STEER AXLE DIFFERENTIAL, 4WD, (76.00), AX1864	TRANSMISSION, 4-SPEED, 2WD, CONTROL VALVE, (85.00), BP180
STEER AXLE REDUCTION GEAR, 4WD, (77.00), AX1865	TRANSMISSION, 4-SPEED, 2WD, EXTERNAL COM- PONENTS, (83.00), BP178
STEER AXLE SUPPORT BRACKET, 4WD, (79.00), AX1584	TRANSMISSION, 4-SPEED, 2WD, INTERNAL COM- PONENTS, (84.00), BP76
STEER AXLE, 2WD, (23.00), 7AA63	TRANSMISSION, 4-SPEED, 2WD-4WD, CONTROL VALVE, (85.10), BP203
STEER AXLE, 4WD, (74.00), AX1855	TRANSMISSION, 4-SPEED, 4WD, (86.00), BP181
STEERING AXLE AND DRIVESHAFT INSTALLATION, 4WD, (24.00), 7AB14	TRANSMISSION, 4-SPEED, 4WD, CONTROL VALVE, (89.00), BP184
STEERING AXLE AND HANGER INSTALLATION, 2WD, (22.00), 7AA61	TRANSMISSION, 4-SPEED, 4WD, EXTERNAL COM- PONENTS, (87.00), BP182
STEERING COLUMN ASSEMBLY, (28.00), 8AA475	TRANSMISSION, 4-SPEED, 4WD, INTERNAL COM- PONENTS, (88.00), BP183
STEERING CYLINDER, 2WD, (43.00), 10CE15	TRANSMISSION, HYDROSTATIC PUMP, (81.00), BC153
STEERING CYLINDER, 4WD, (78.00), AX1866	WINDSHIELD AND WIPER KIT, (31.00), 8AA503
STEERING HYDRAULICS, (42.00), 10BA301	
TACHOMETER OPTION, (47.00), 11CC186	
TIRES AND WHEELS, FRONT, (2.00), 3AA248	

<p style="text-align: center;">2 AA 165</p> <p> Air filter cartridge 809555 NELSON - Steel Center Safety air filter cartridge 809564 NELSON Fuel cap for diesel fuel tank 8168 Suction strainer 434754 (inside hydraulic oil tank) Fan belt alternator 702494 Air Intake Pre-filter 82296-15 clamp Turbo 3 Engine pre-filter & clamp 495955 Air filter cartridge 809555 NELSON - Steel Center Engine oil filter 478954 Cat or Perkins Engine fuel filter 605013 Transmission oil filter 567349 (4-speed transmission) 221174 (4-speed) Hydraulic return oil filter 602096 (hydraulic) Hydraulic return oil filter </p> <p style="text-align: right;">1.00</p>	<p style="text-align: center;">3 AA 248</p> <p> TITAN TREAD GOOD YEAR TREAD OTR TREAD MICHELIN TREAD MICHELIN TREAD </p> <p style="text-align: right;">2.00</p>	<p style="text-align: center;">3 AA 249</p> <p> OTR TREAD 825B1 (4WD) OTR TREAD 825B74 (4WD) OTR TREAD 825B14 (4WD) MICHELIN TREAD 825B1 (4WD) MICHELIN TREAD 825B74 (4WD) </p> <p style="text-align: right;">3.00</p>
<p style="text-align: center;">4 AA 623</p> <p style="text-align: right;">4.00</p>	<p style="text-align: center;">4 AA 624</p> <p style="text-align: right;">5.00</p>	<p style="text-align: center;">4 AA 625</p> <p style="text-align: right;">6.00</p>
<p style="text-align: center;">4 AA 606</p> <p> USE A RUBBER MALLETT TO DRIVE BREATHER INTO PLUG VIEW A * - APPLY LOCTITE 242 ** - SEE ITEM 242 </p> <p style="text-align: right;">7.00</p>	<p style="text-align: center;">4 AA 626</p> <p style="text-align: right;">8.00</p>	<p style="text-align: right;">8.00</p>

<p style="text-align: center;">4 AA 607</p>  <p style="text-align: right;">9.00</p>	<p style="text-align: center;">4 AB 149</p>  <p style="text-align: right;">10.00</p>	<p style="text-align: center;">4 AB 151</p>  <p style="text-align: right;">11.00</p>
<p style="text-align: center;">4 AB 152</p>  <p style="text-align: right;">12.00</p>	<p style="text-align: center;">4 AC 216</p>  <p style="text-align: right;">13.00</p>	<p style="text-align: center;">4 AC 217</p>  <p style="text-align: right;">14.00</p>
<p style="text-align: center;">5 AA 101</p>  <p style="text-align: right;">15.00</p>	<p style="text-align: center;"> </p>	<p style="text-align: center;"> </p>

6 AA 374

16.00

6 AA 369

17.00

6 BA 215

18.00

6 BA 54

19.00

6 BB 156

20.00

6 BB 158

21.00

7 AA 61

22.00

7 BA 156

23.00

7 BA 158

24.00

7 AA 63

NOTE:
1. FRONT BEARING AND SHIM TO SET CLEARANCE.
2. FRONT BEARING AND SHIM TO SET CLEARANCE.
3. FRONT BEARING AND SHIM TO SET CLEARANCE.

NOTE:
1. FRONT BEARING AND SHIM TO SET CLEARANCE.
2. FRONT BEARING AND SHIM TO SET CLEARANCE.
3. FRONT BEARING AND SHIM TO SET CLEARANCE.

NOTE:
1. FRONT BEARING AND SHIM TO SET CLEARANCE.
2. FRONT BEARING AND SHIM TO SET CLEARANCE.
3. FRONT BEARING AND SHIM TO SET CLEARANCE.

23.00

7 AB 14

NOTE:
APPLY LOCTITE 242 (BLUE) TO THE THREADS OF ALL BOLTS DURING INSTALLATION.

REAR DRIVE AXLE
REAR DRIVESHAFT INSTALLATION
ITEMS 6 & 6A FOR HYDROSTATIC 4WD MODELS ONLY

REAR DRIVE AXLE
REAR DRIVESHAFT INSTALLATION
ITEMS 6 & 6A FOR 4-SPEED 4WD MODELS ONLY

24.00

8 AA 500

25.00

8 AA 501

26.00

8 AA 502

NOTE A: TORQUE TO 205 FT LB @ 24 FT LB 4 PLACES.

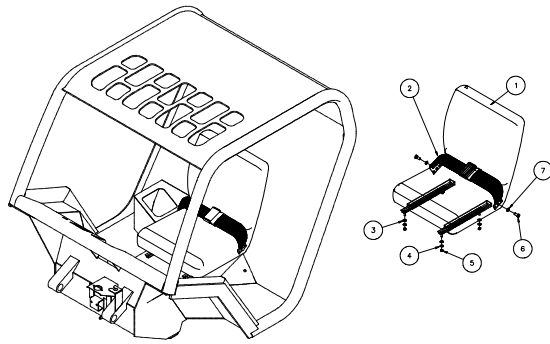
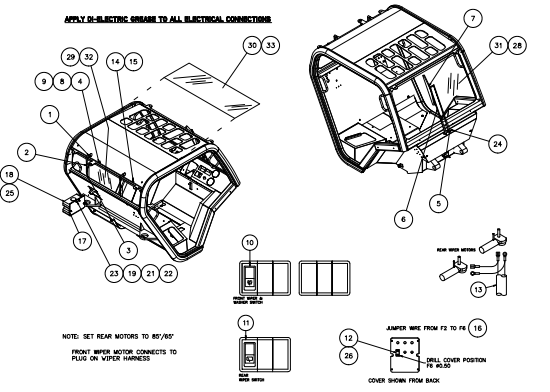
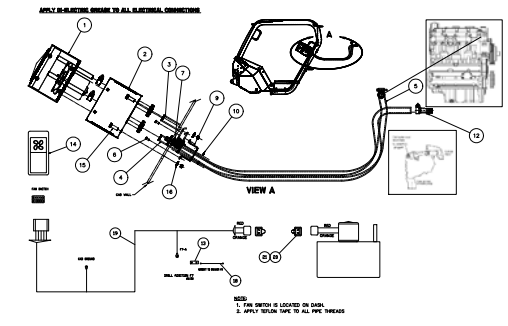
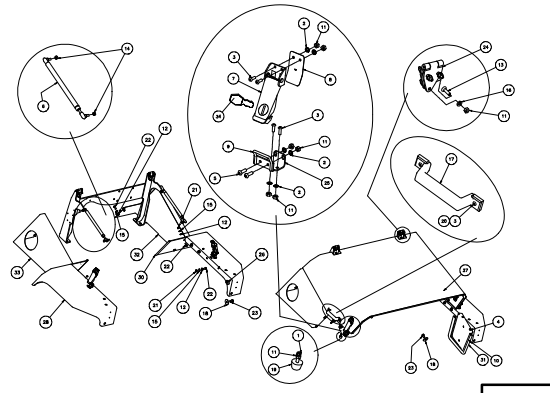
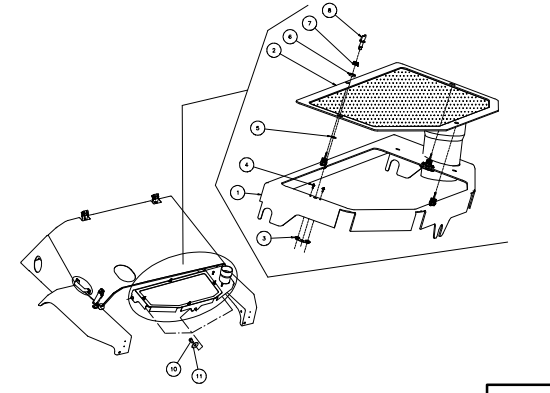
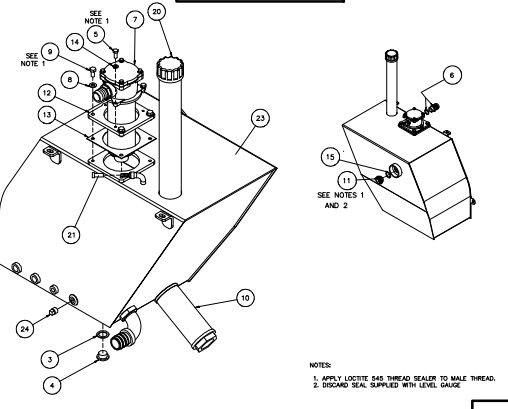
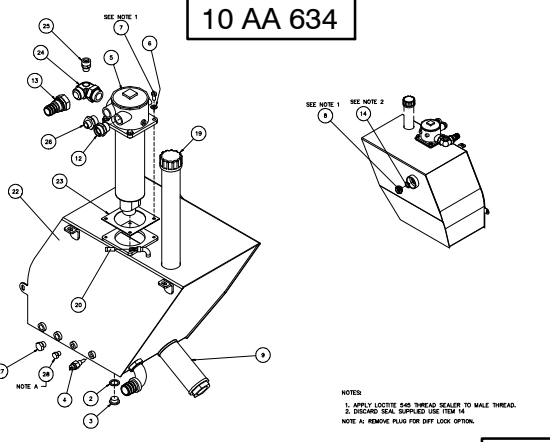
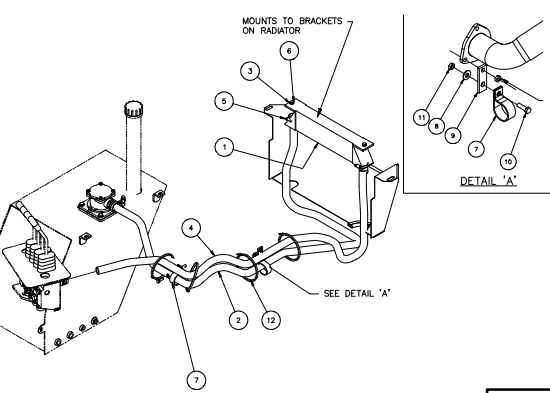
27.00

8 AA 475

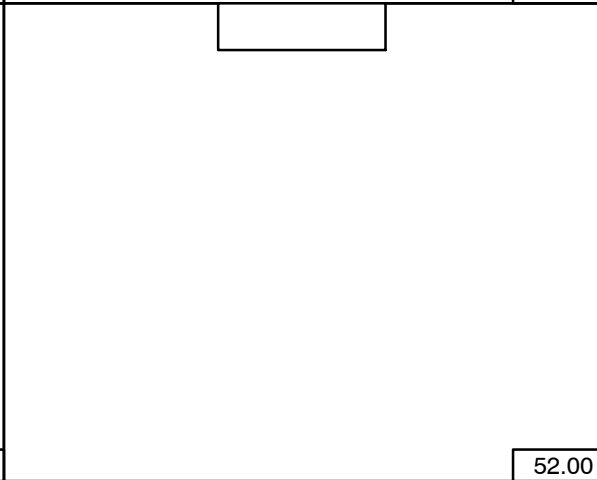
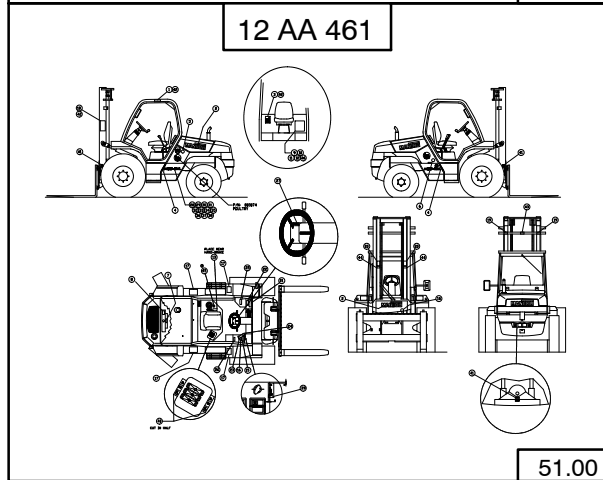
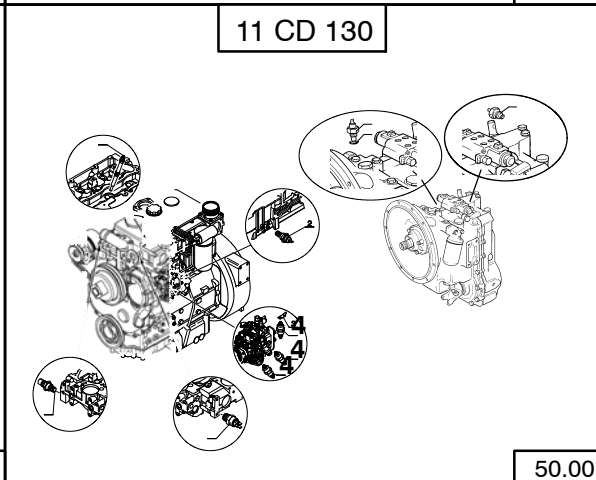
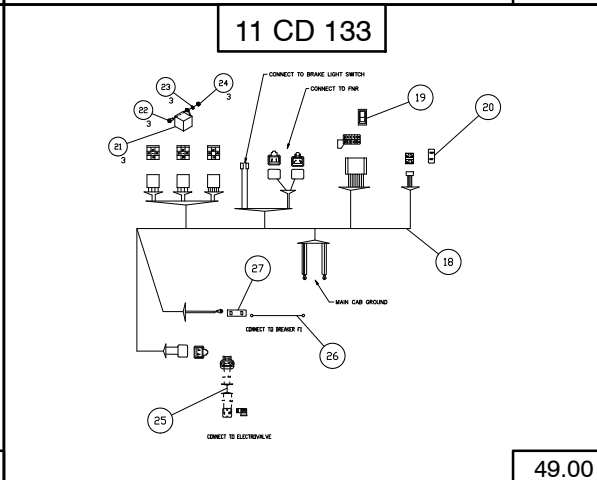
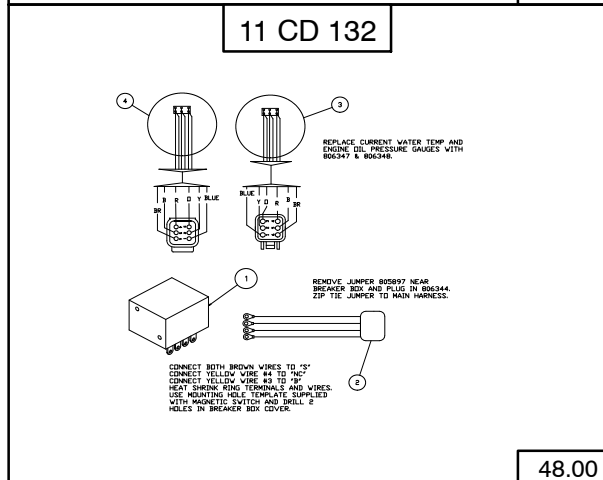
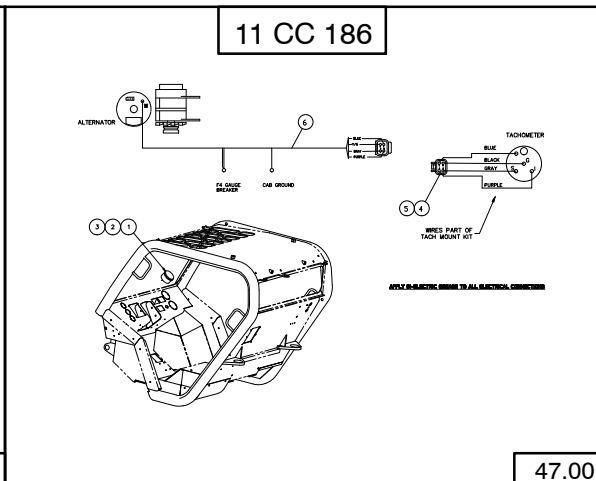
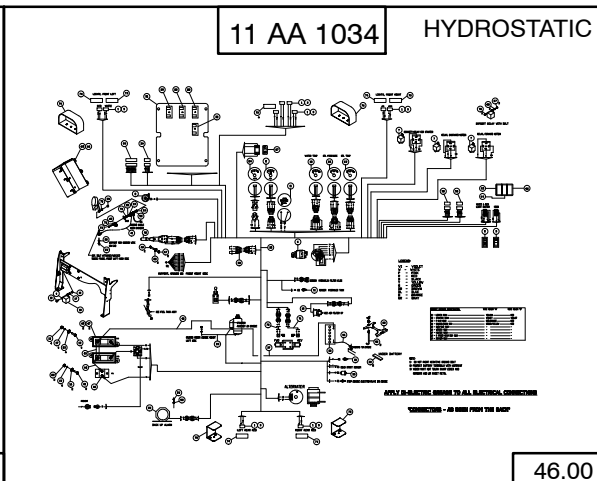
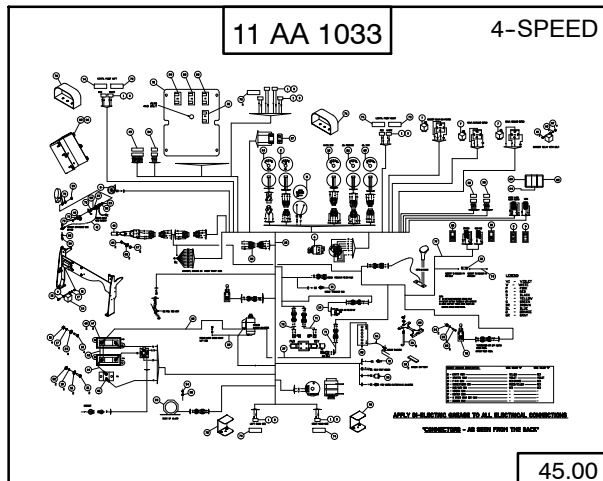
28.00

8 AA 480

29.00

<p style="text-align: center;">8 AA 481</p>  <p style="text-align: right;">30.00</p>	<p style="text-align: center;">8 AA 503</p> <p style="text-align: center;"><small>APPLY DIE-ELECTRIC GREASE TO ALL ELECTRICAL CONNECTIONS</small></p>  <p style="text-align: center;"><small>NOTE: SET REAR MOTORS TO 80/80° FROM REAR MOTOR CONNECTS TO PLUG ON WIPER HARNESS</small></p> <p style="text-align: right;">31.00</p>	<p style="text-align: center;">8 AD 202</p> <p style="text-align: center;"><small>APPLY DIE-ELECTRIC GREASE TO ALL ELECTRICAL CONNECTIONS</small></p>  <p style="text-align: center;"><small>NOTE: 1. FAN SWITCH IS LOCATED ON SHIP. 2. APPLY DIE-ELECTRIC GREASE TO ALL PIPE THREADS</small></p> <p style="text-align: right;">32.00</p>
<p style="text-align: center;">9 AA 322</p>  <p style="text-align: right;">33.00</p>	<p style="text-align: center;">9 AA 323</p>  <p style="text-align: right;">34.00</p>	<p style="text-align: center;">10 AA 633</p>  <p style="text-align: center;"><small>NOTES: 1. APPLY LOCTITE 545 THREAD SEALER TO MALE THREAD. 2. O-RING SEAL SUPPLIED WITH LEVEL GAUGE</small></p> <p style="text-align: right;">35.00</p>
<p style="text-align: center;">10 AA 634</p>  <p style="text-align: center;"><small>NOTES: 1. APPLY LOCTITE 545 THREAD SEALER TO MALE THREAD. 2. O-RING SEAL SUPPLIED SEE ITEM 14. NOTE A: REMOVE PLUG FOR OFF LOOK OPTION.</small></p> <p style="text-align: right;">36.00</p>	<p style="text-align: center;">10 AA 635</p> <p style="text-align: center;"><small>MOUNTS TO BRACKETS ON RADIATOR</small></p>  <p style="text-align: center;"><small>SEE DETAIL 'A'</small></p> <p style="text-align: right;">37.00</p>	<p style="text-align: right;">38.00</p>

<p style="text-align: center;">10 AA 636</p> <p style="text-align: right;">38.00</p>	<p style="text-align: center;">10 AE 763</p> <p style="text-align: right;">39.00</p>	<p style="text-align: center;">10 AE 737</p> <p style="text-align: right;">40.00</p>
<p style="text-align: center;">10 AE 762</p> <p style="text-align: right;">40.10</p>	<p style="text-align: center;">10 AF 562</p> <p style="text-align: right;">41.00</p>	<p style="text-align: center;">10 BA 301</p> <p style="text-align: right;">42.00</p>
<p style="text-align: center;">10 CE 15</p> <p style="text-align: right;">43.00</p>	<p style="text-align: center;">10 DA 318</p> <p style="text-align: right;">44.00</p>	<p style="text-align: right;">44.00</p>



AP 1842 PERKINS

52.00

AP 1554 PERKINS

53.00

AP 1555 PERKINS

54.00

AP 1556 PERKINS

55.00

AP 1557 PERKINS

56.00

AP 1558 PERKINS

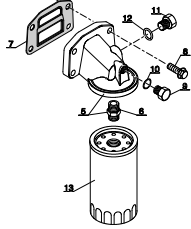
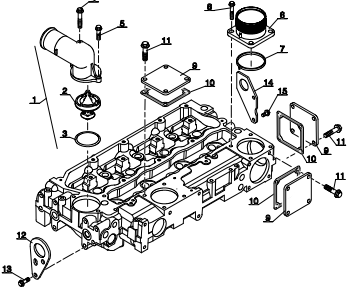
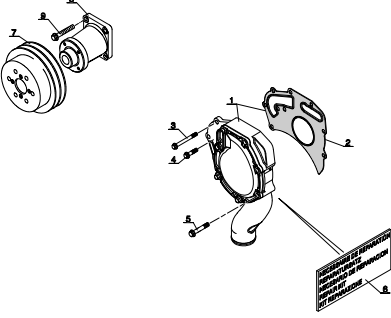
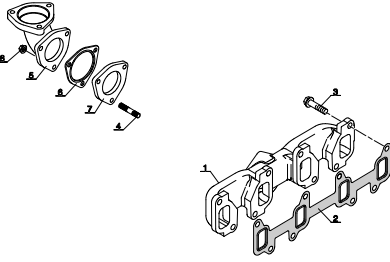
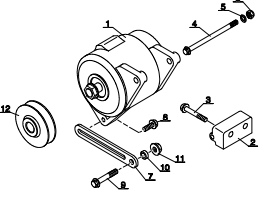
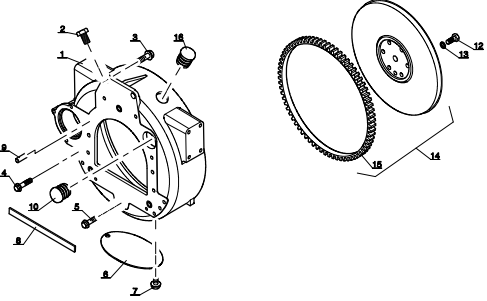
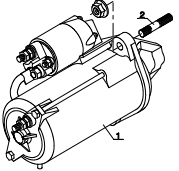
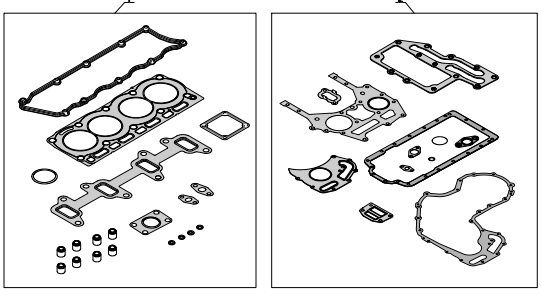
57.00

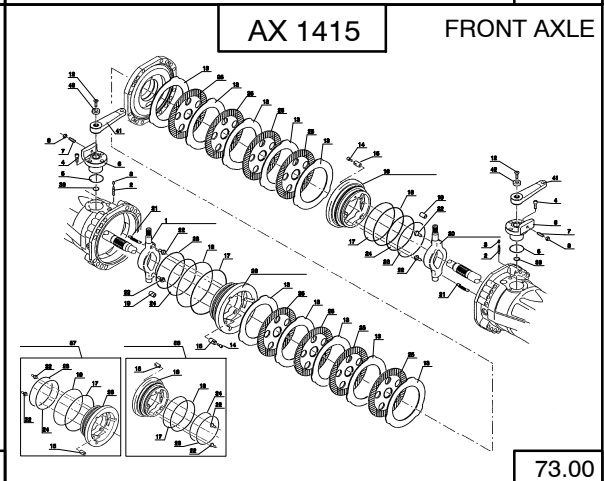
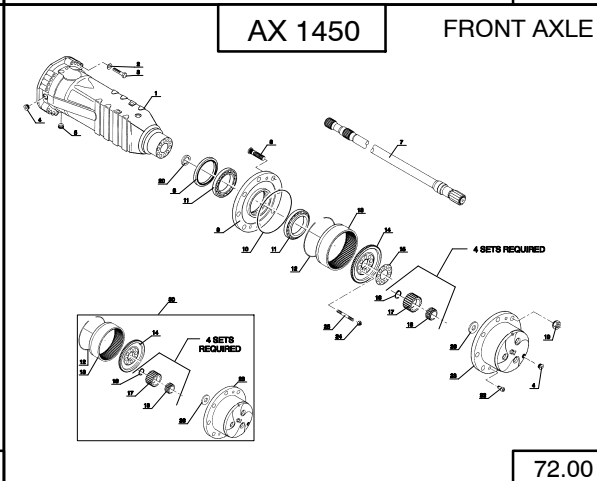
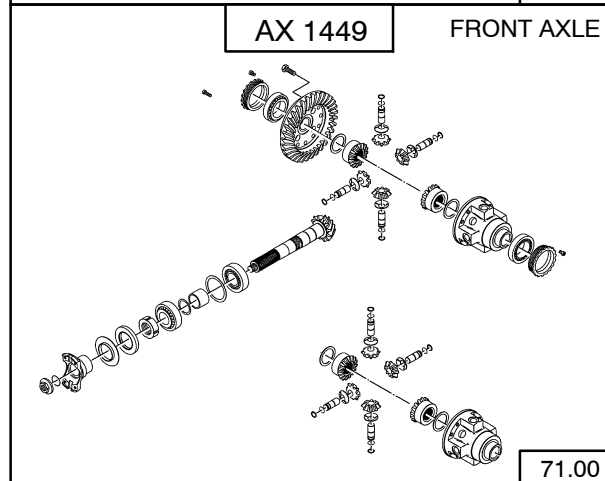
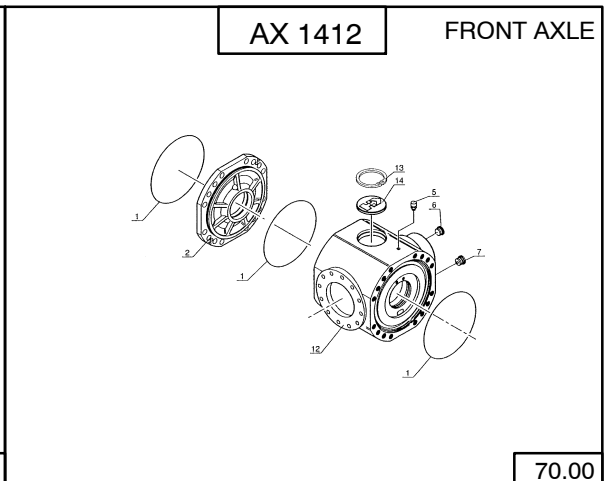
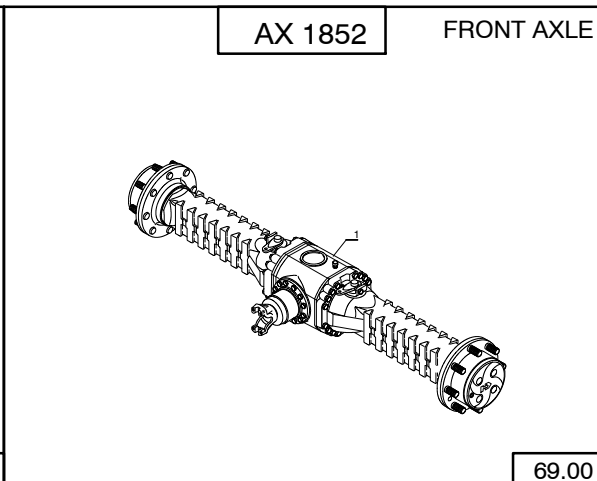
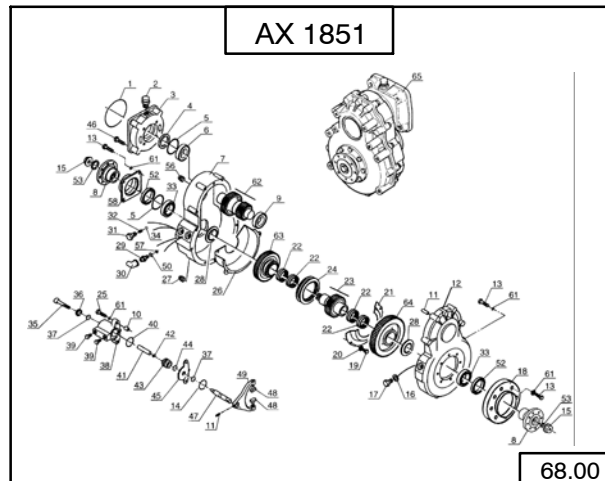
AP 1559 PERKINS

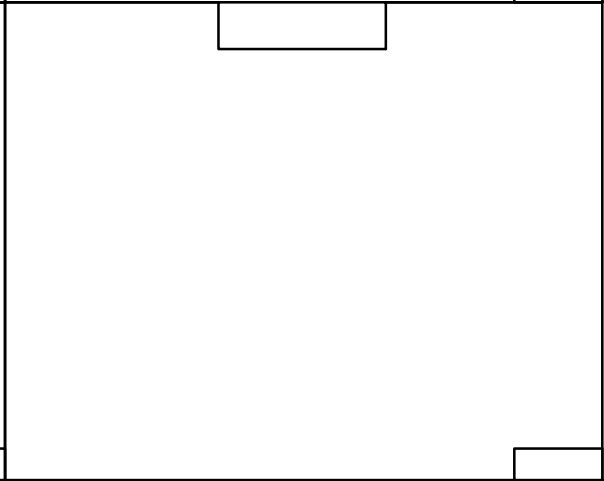
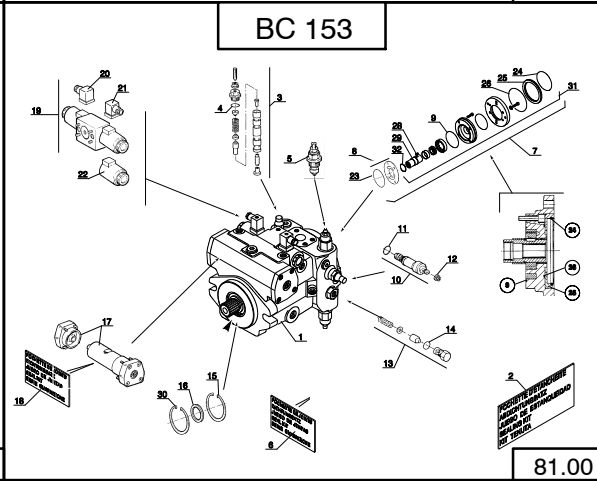
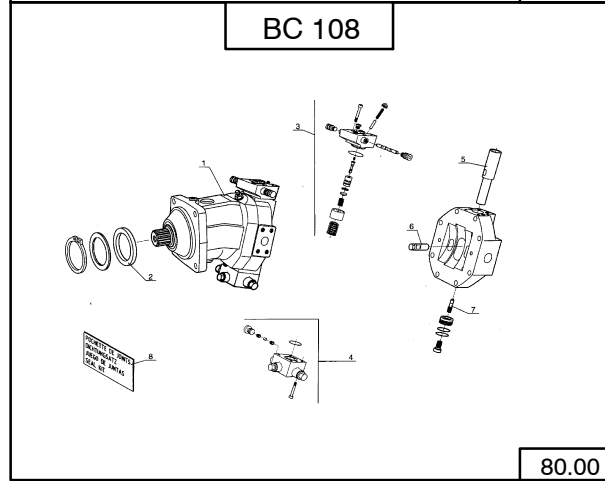
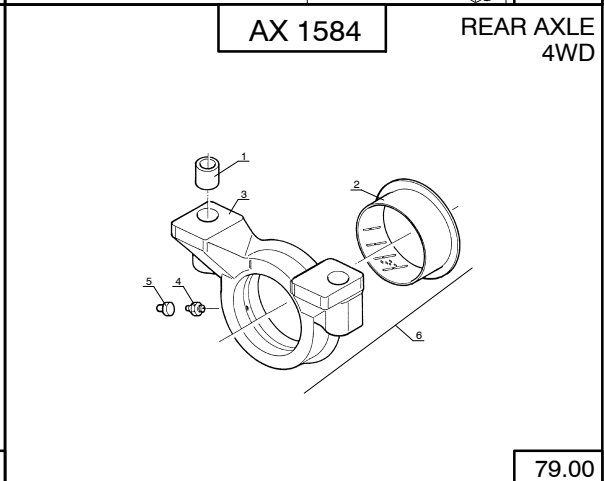
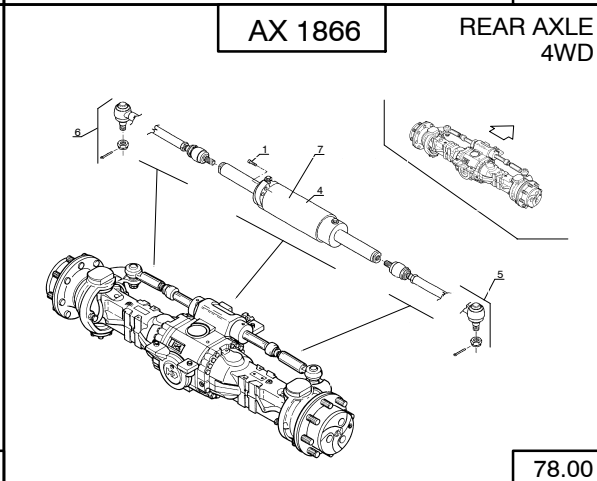
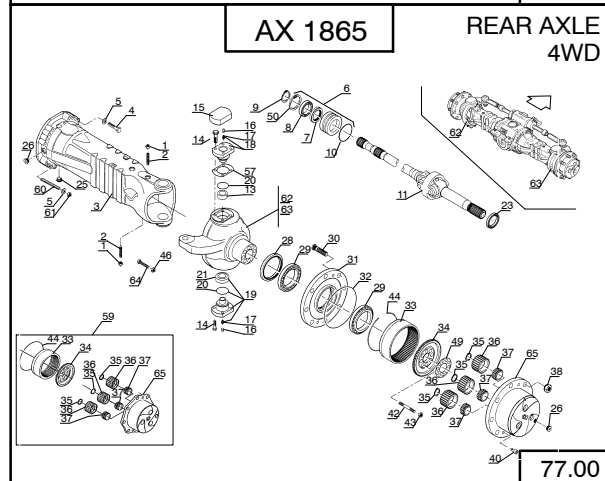
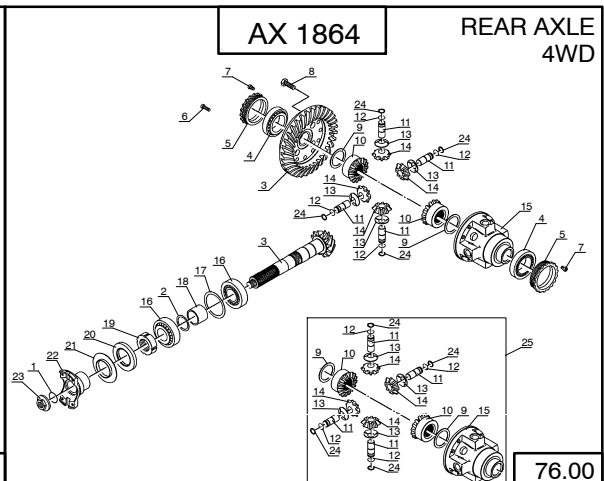
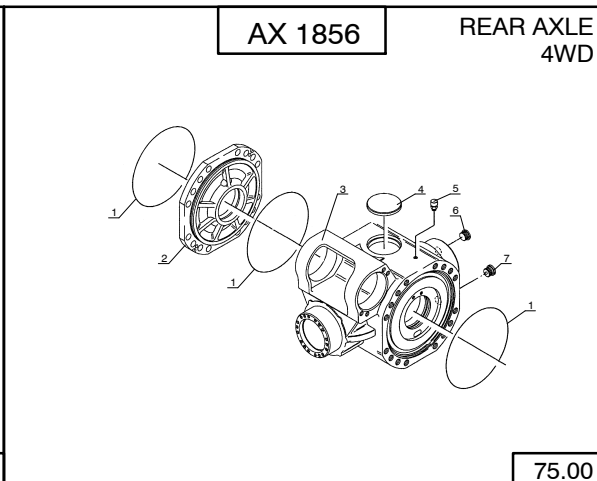
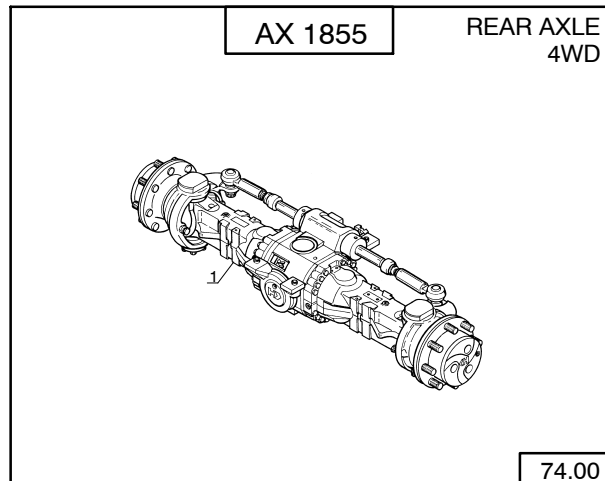
58.00

AP 1560 PERKINS

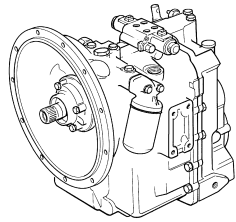
59.00

<p style="text-align: center;">AP 1561</p> <p style="text-align: right;">PERKINS</p>  <p style="text-align: right;">60.00</p>	<p style="text-align: center;">AP 1562</p> <p style="text-align: right;">PERKINS</p>  <p style="text-align: right;">61.00</p>	<p style="text-align: center;">AP 1563</p> <p style="text-align: right;">PERKINS</p>  <p style="text-align: right;">62.00</p>
<p style="text-align: center;">AP 1564</p> <p style="text-align: right;">PERKINS</p>  <p style="text-align: right;">63.00</p>	<p style="text-align: center;">AP 1565</p> <p style="text-align: right;">PERKINS</p>  <p style="text-align: right;">64.00</p>	<p style="text-align: center;">AP 1566</p> <p style="text-align: right;">PERKINS</p>  <p style="text-align: right;">65.00</p>
<p style="text-align: center;">AP 1567</p> <p style="text-align: right;">PERKINS</p>  <p style="text-align: right;">66.00</p>	<p style="text-align: center;">AP 1568</p> <p style="text-align: right;">PERKINS</p>  <p style="text-align: right;">67.00</p>	<p style="text-align: center;"> </p> <p style="text-align: right;"> </p>



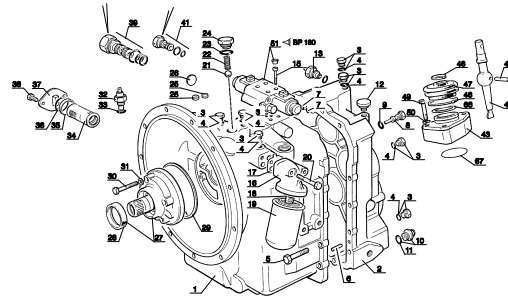


BP 177



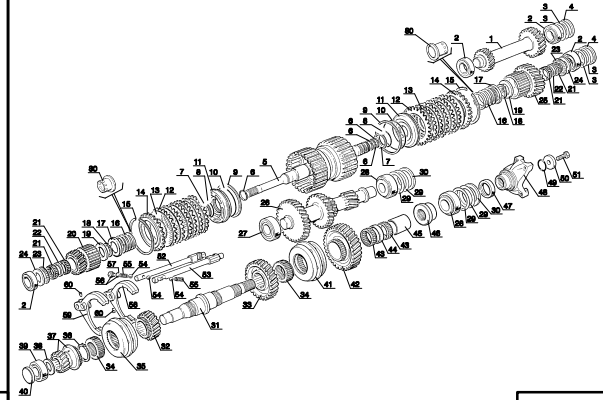
82.00

BP 178



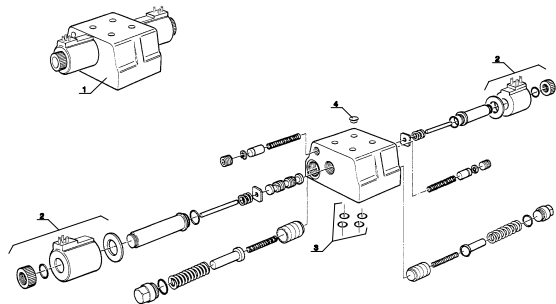
83.00

BP 76



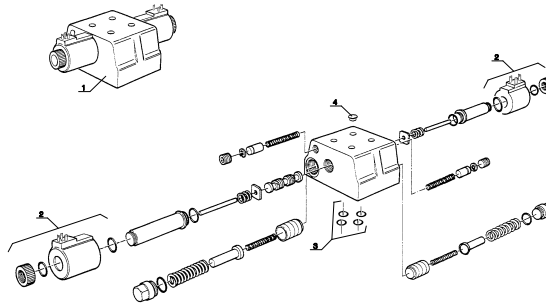
84.00

BP 180



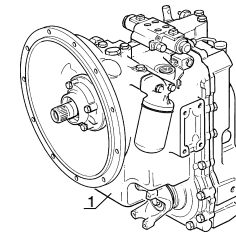
85.00

BP 203



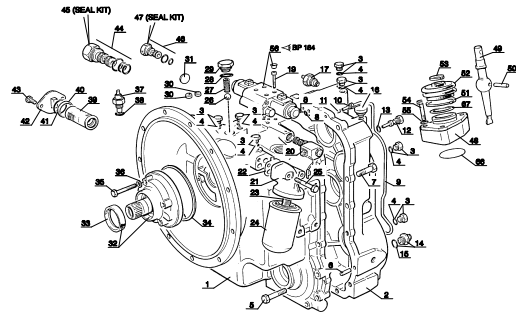
85.10

BP 181



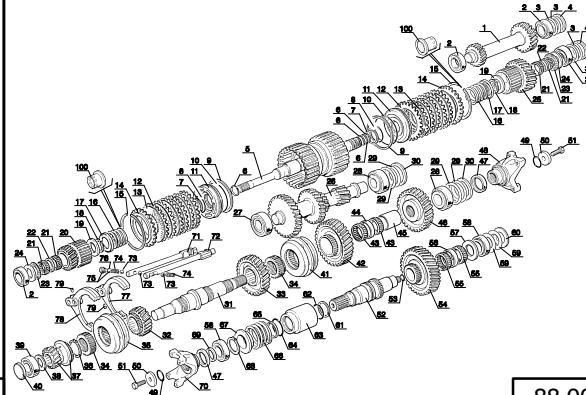
86.00

BP 182



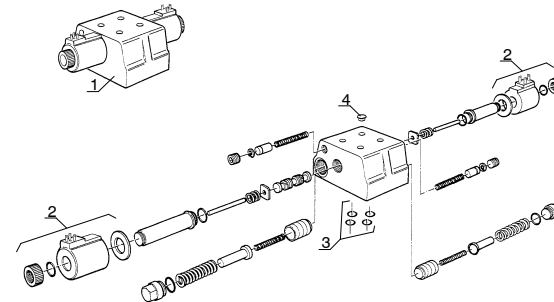
87.00

BP 183

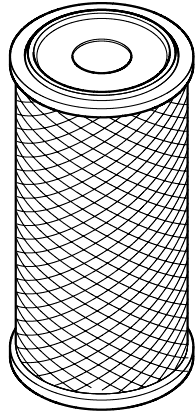


88.00

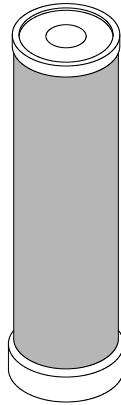
BP 184



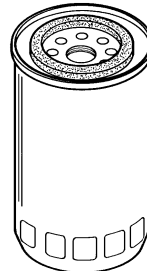
89.00



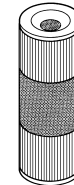
Air filter cartridge
803655 NELSON - Steel Canister



Safety air filter cartridge
803654 NELSON



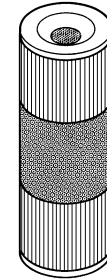
476954
Engine oil filter
Cat or Perkins



Cat or Perkins
Engine fuel filter
605013



561749
Transmission oil filter
(4-speed transmission)



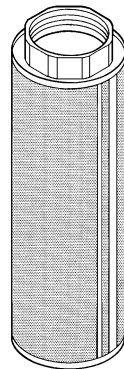
221174 (4-speed)
Hydraulic return oil filter
602096 (Hydrostatic)
Hydraulic return oil filter



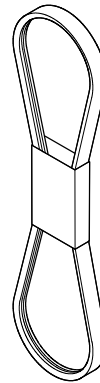
425501
Filter cap for
hydraulic oil tank



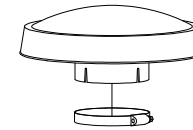
B169
Fuel cap for
diesel fuel tank



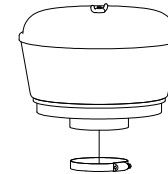
424764
Suction strainer
(inside hydraulic oil tank)



702494
Fan belt, alternator



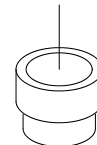
508565
Rain Cap Pre-filter
& clamp
470680 clamp



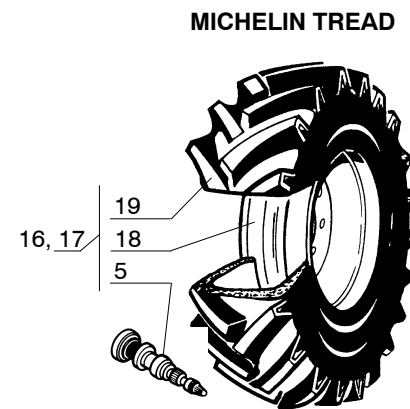
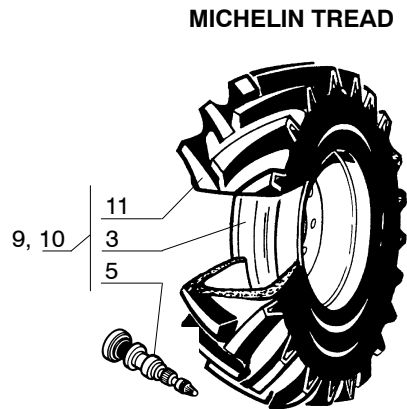
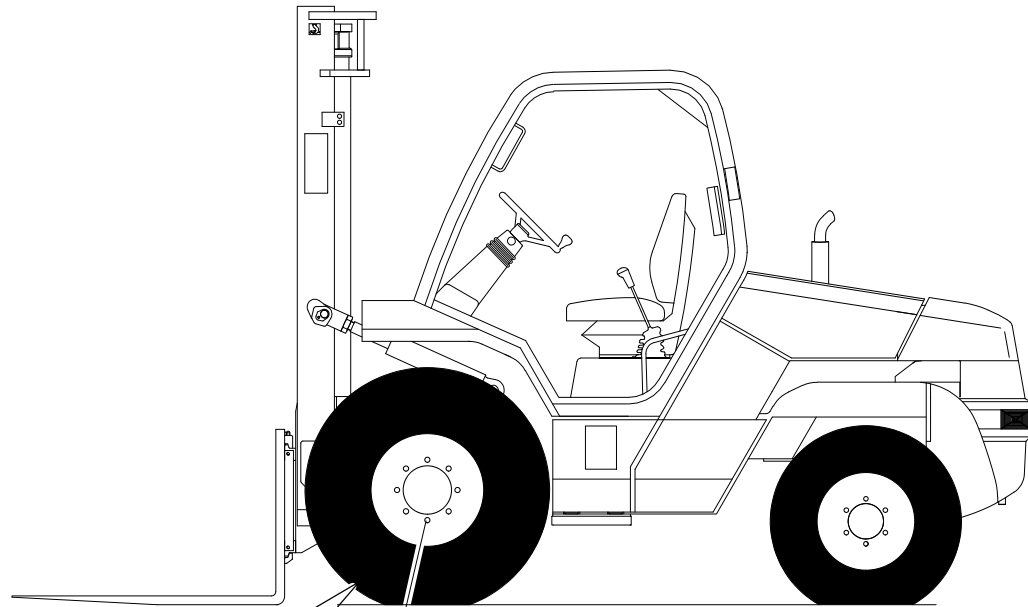
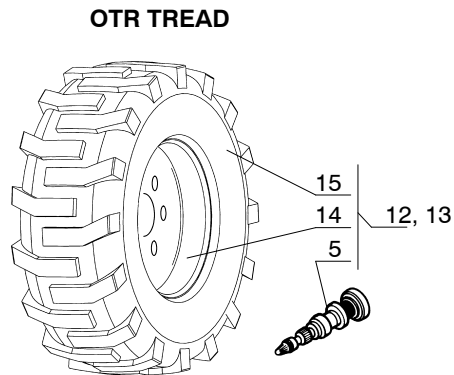
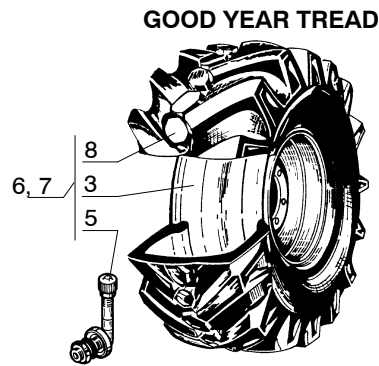
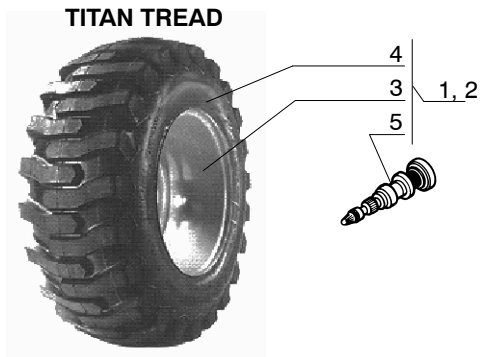
803071
Air Intake Pre-filter
B2236-15 clamp



813120
Turbo II Engine
pre-filter & clamp

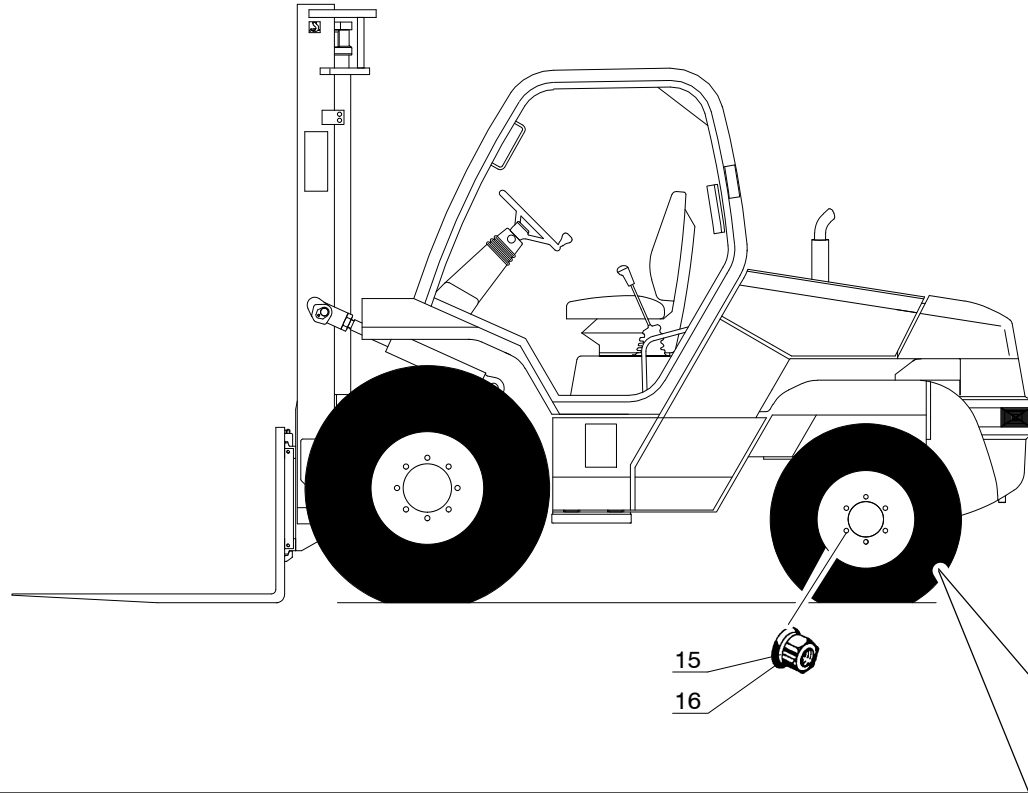


806827
Turbo II Engine
pre-filter adapter kit

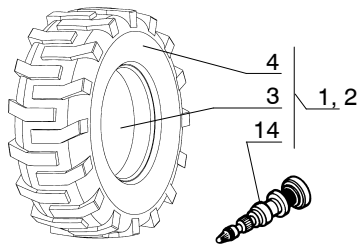


			QUANTITY / MODEL								3 AA 248			
1/2			K-D HAWK TIRES AND WHEELS, FRONT											
ITEM	PART NO.	DESCRIPTION	30-2	40-2					30-4 H	40-4 H				
1	804460R	Front wheel assembly, RH (100 & 81 in. cabs, 6K) Titan 17.5x24 R-4	1	1					1	1				
2	804460L	Front wheel assembly, LH (100 & 81 in. cabs, 6K) Titan 17.5x24 R-4	1	1					1	1				
3	804458	Front wheel (100 & 81 in. cabs, 6K)	A/R	A/R					A/R	A/R				
4	802127	Front tire, Titan 17.5x24 R-4 (100 & 81 in. cabs, 6K)	A/R	A/R					A/R	A/R				
5	802118	Tire valve, front	A/R	A/R					A/R	A/R				
6	804462R	Front wheel assembly, RH (100 & 81 in. cabs, 6K) Good Year 16.9x24 R-4	1	1					1	1				
7	804462L	Front wheel assembly, LH (100 & 81 in. cabs, 6K) Good Year 16.9x24 R-4	1	1					1	1				
8	803007	Front tire, Good Year 16.9x24 R-4 (100 & 81 in. cabs, 6K)	A/R	A/R					A/R	A/R				
9	804464R	Front wheel assembly, RH (100 & 81 in. cabs, 6K) Michelin 17.5x24 XM27	1	1					1	1				
10	804464L	Front wheel assembly, LH (100 & 81 in. cabs, 6K) Michelin 17.5x24 XM27	1	1					1	1				
11	803011	Front tire, Michelin 17.5x24 XM27 (100 & 81 in. cabs, 6K)	A/R	A/R					A/R	A/R				
12	804442R	Front wheel assembly, RH (77 in. cab, 6K) OTR 15x19.5	1	1					1	1				
13	804442L	Front wheel assembly, LH (77 in. cab, 6K) OTR 15x19.5	1	1					1	1				

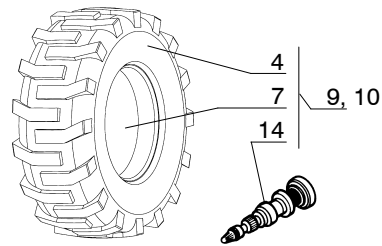
			QUANTITY / MODEL								3 AA 248			
2/2			K-D HAWK TIRES AND WHEELS, FRONT											
ITEM	PART NO.	DESCRIPTION	30-2	40-2				30-4 H	40-4 H					
14	804440	Front wheel (77 in. cab, 6K)	A/R	A/R				A/R	A/R					
15	802126	Front tire, OTR 15x19.5 (77 in. cab, 6K)	A/R	A/R				A/R	A/R					
16	804439R	Front wheel assembly, RH (77 in. cab, 6K) Michelin 375/75R20 XM27	1	1				1	1					
17	804439L	Front wheel assembly, LH (77 in. cab, 6K) Michelin 375/75R20 XM27	1	1				1	1					
18	804436	Front wheel (77 in. cab, 6K)	A/R	A/R				A/R	A/R					
19	802964	Front tire, Michelin 375/75R20 XM27 (77 in. cab, 6K)	A/R	A/R				A/R	A/R					
20	109480	Nut, drive wheel	A/R	A/R				A/R	A/R					



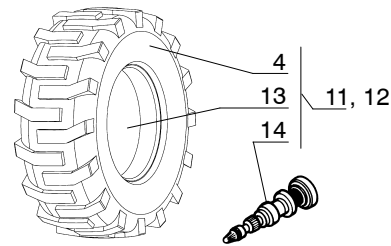
OTR TREAD (2WD)



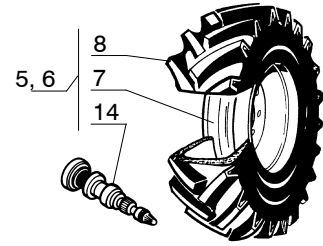
OTR TREAD (2WD)



OTR TREAD (4WD)

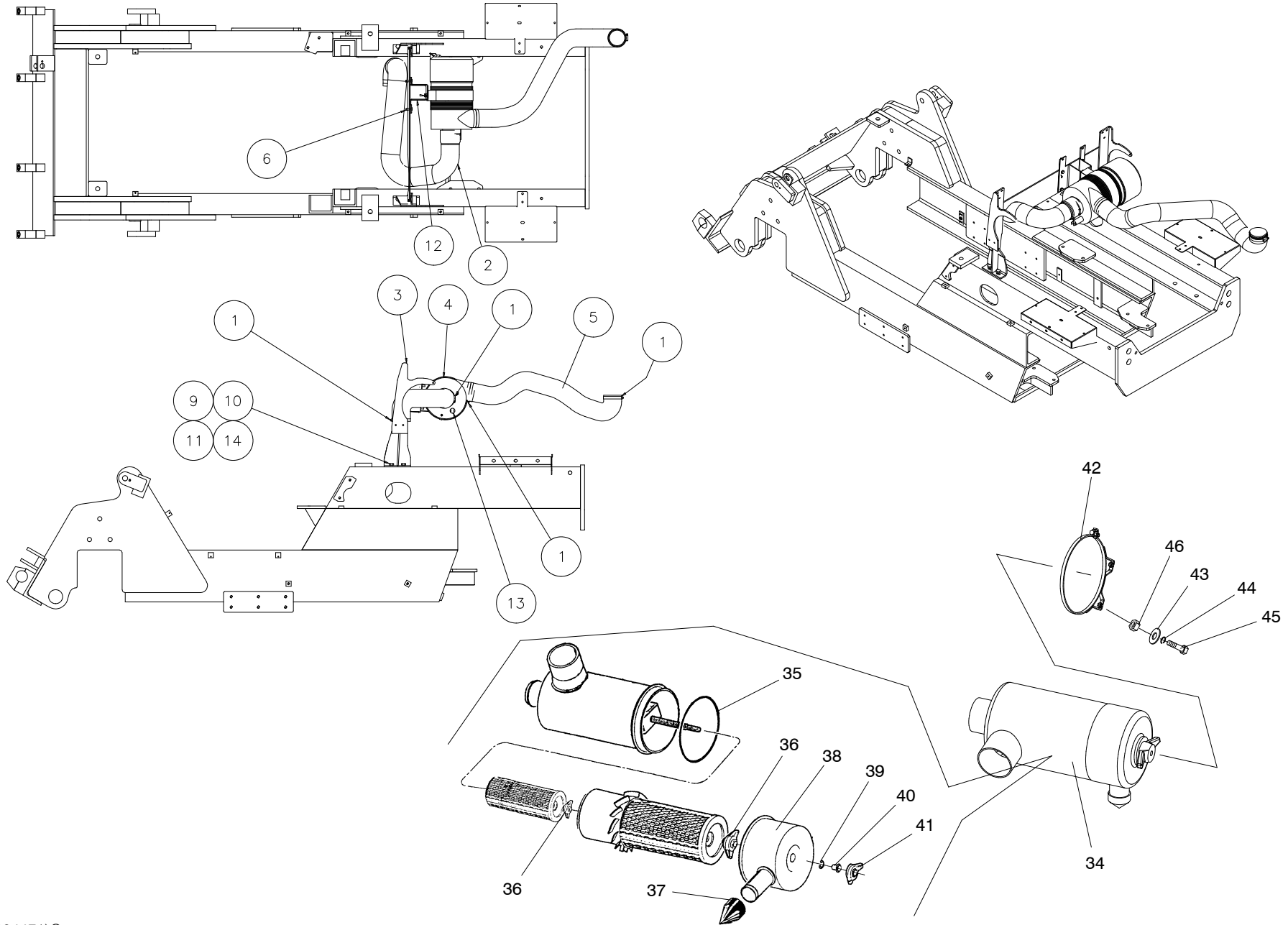


MICHELIN TREAD (2WD)

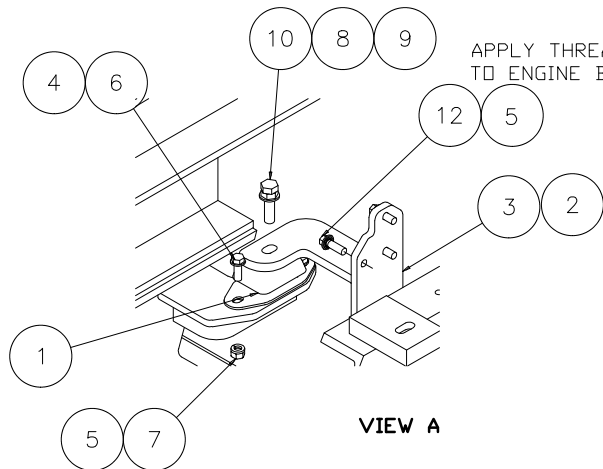
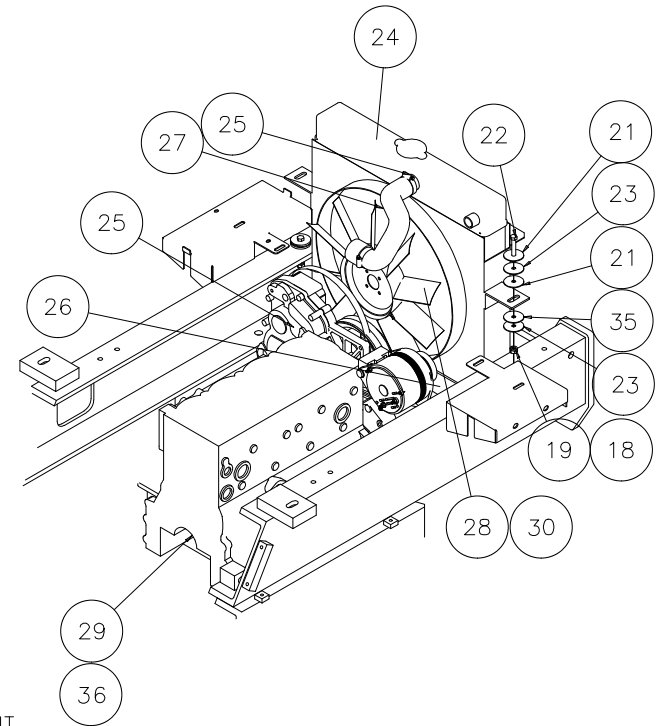
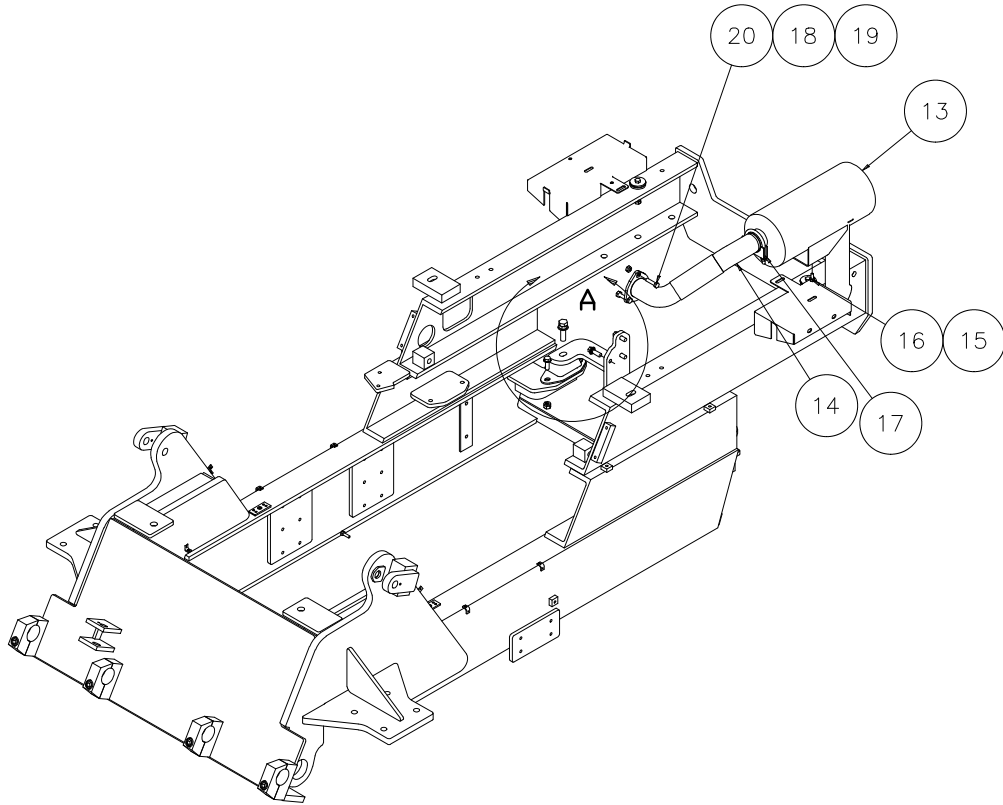


			QUANTITY / MODEL								3 AA 249			
1/2			K-D HAWK TIRES AND WHEELS, REAR											
ITEM	PART NO.	DESCRIPTION	30-2	40-2					30-2 H	40-2 H				
1	804454R	Rear wheel assembly, RH (100 & 81 in. cabs, 6K - 12K) OTR 12x16.5	1	1					1	1				
2	804454L	Rear wheel assembly, LH (100 & 81 in. cabs, 6K - 12K) OTR 12x16.5	1	1					1	1				
3	804452	Rear wheel (100 & 81 in. cabs, 6K - 12K)	A/R	A/R					A/R	A/R				
4	802661	Rear tire, OTR 12x16.5 (100 & 81 in. cabs, 6K - 12K)1	A/R	A/R					A/R	A/R				
5	804448R	Rear wheel assembly, RH (100, 81 & 77 in. cabs, 6K) Michelin 12x16.5 XZSL	1	1					1	1				
6	804448L	Rear wheel assembly, LH (100, 81 & 77 in. cabs, 6K) Michelin 12x16.5 XZSL	1	1					1	1				
7	804446	Rear wheel (100, 81 & 77 in. cabs, 6K)	A/R	A/R					A/R	A/R				
8	803004	Rear tire, Michelin 12x16.5 XZSL (100, 81 & 77 in. cabs, 6K)	A/R	A/R					A/R	A/R				
9	804450R	Rear wheel assembly, RH (77 in. cab, 6K) OTR 12x16.6	1	1					1	1				
10	804450L	Rear wheel assembly, RH (77 in. cab, 6K) OTR 12x16.6	1	1					1	1				

			QUANTITY / MODEL								3 AA 249				
			30-4	40-4				30-4 H	40-4 H						
ITEM	PART NO.	DESCRIPTION													
2/2			K-D HAWK TIRES AND WHEELS, REAR												
11	804457R	Rear wheel assembly, RH (100 & 81 in. cabs, 6K - 12K) OTR 12x16.5	1	1				1	1						
12	804457L	Rear wheel assembly, LH (100 & 81 in. cabs, 6K - 12K) OTR 12x16.5	1	1				1	1						
13	804455	Rear wheel (100 & 81 in. cabs, 6K - 12K)	A/R	A/R				A/R	A/R						
14	803543	Valve stem, rear	A/R	A/R				A/R	A/R						
15	421116	Nut, rear steer wheel (2WD ONLY)	A/R	A/R				A/R	A/R						
16	475260	Nut, rear steer wheel (4WD ONLY)	A/R	A/R				A/R	A/R						



			QUANTITY / MODEL								4 AA 623					
1/1 K-D HAWK AIR INTAKE SYSTEM, INSTALLATION			30-4	40-4			30-4 H	40-4 H								
ITEM	PART NO.	DESCRIPTION	30-2	40-2			30-2 H	40-2 H								
1	229587	Hose clamp	4	4			4	4								
2	247594	Hose	1	1			1	1								
3	804657	Bracket, engine bonnet	1	1			1	1								
5	226807	Hose	1	1			1	1								
9	29475	Bolt	4	4			4	4								
10	42231	Washer	4	4			4	4								
11	58548	Nut	4	4			4	4								
12	804500	Bracket, air filter	1	1			1	1								
13	224776	Air filter clog switch	1	1			1	1								
14	61676	Washer	4	4			4	4								
34	804338	Filter assembly, complete, Nelson (steel canister)	1	1			1	1								
35	426206	O-ring	1	1			1	1								
36	803653	Wing nut	2	2			2	2								
37	426203	Dust ejector	1	1			1	1								
38	803656	Cover, filter housing	1	1			1	1								
39	426197	E-ring	1	1			1	1								
40	426196	Washer	1	1			1	1								
41	426198	Wing nut	1	1			1	1								
42	804339	Band, mounting	2	2			2	2								
43	K44719	Washer, flat	2	2			2	2								
44	K34805	Washer, lock	2	2			2	2								
45	K20424	Bolt	2	2			2	2								
46	K33795	Nut	2	2			2	2								



- 31 RADIATOR CAP
- 32 WATER COOLER RADIATOR
- 33 OIL COOLER RADIATOR
- 34 SHEETMETAL, FAN SHROUD

			QUANTITY / MODEL								4 AA 624				
1/2 K-D HAWK ENGINE, RADIATOR AND MUFFLER MOUNTINGS			30-4	40-4				30-4 H	40-4 H						
ITEM	PART NO.	DESCRIPTION	30-2	40-2				30-2 H	40-2 H						
1	242496	Shock Mount	2	2				2	2						
2	801949	Engine Mount, Rear RH	1	1				1	1						
3	801950	Engine Mount, Rear LH	1	1				1	1						
4	61676	Washer	4	4				4	4						
5	42231	Washer	10	10				10	10						
6	58546	Bolt	4	4				4	4						
7	58548	Nut	4	4				4	4						
8	62203	Washer	2	2				2	2						
9	42813	Nut	2	2				2	2						
10	168365	Bolt	2	2				2	2						
12	KN605815	Bolt	6	6				6	6						
13	803501	Muffler, Std	1	1				1	1						
14	804374	Exhaust Tube Assembly	1	1				1	1						
15	42347	Bolt	2	2				2	2						
16	42325	Washer	2	2				2	2						
17	423625	Clamp, Exhaust	1	1				1	1						
18	56354	Nut	5	5				5	5						
19	42232	Washer	5	5				5	5						
20	KN605803	Bolt	3	3				3	3						
21	36010	Washer	6	6				6	6						
22	58538	Bolt	2	2				2	2						
23	73979	Washer, Rubber	4	4				4	4						
24	806747	Radiator	1	1				1	1						
25	B2236-8	Hose Clamp	4	4				4	4						

			QUANTITY / MODEL								4 AA 624				
2/2 K-D HAWK ENGINE, RADIATOR AND MUFFLER MOUNTINGS			30-4	40-4				30-4 H	40-4 H						
ITEM	PART NO.	DESCRIPTION	30-2	40-2				30-2 H	40-2 H						
26	248378	Hose, Water Lower	1	1				1	1						
27	248379	Hose, Water Upper	1	1				1	1						
28	804571	Fan	1	1				1	1						
29	804136	Engine, 207-1108 (AR81268) Cat	1	1				1	1						
30	804373	Spacer, fan (for Perkins engine only)	1	1				1	1						
31	804722	Radiator cap	1	1				1	1						
32	804719	Water cooler radiator	1	1				1	1						
33	804720	Oil cooler radiator	1	1				1	1						
34	804721	Sheetmetal, fan shroud	1	1				1	1						
35	806789	Spacer, 1/4 in.	2	2				2	2						
36	247475	Engine, 1104C-44 Perkins	1	1				1	1						

4 AA 625

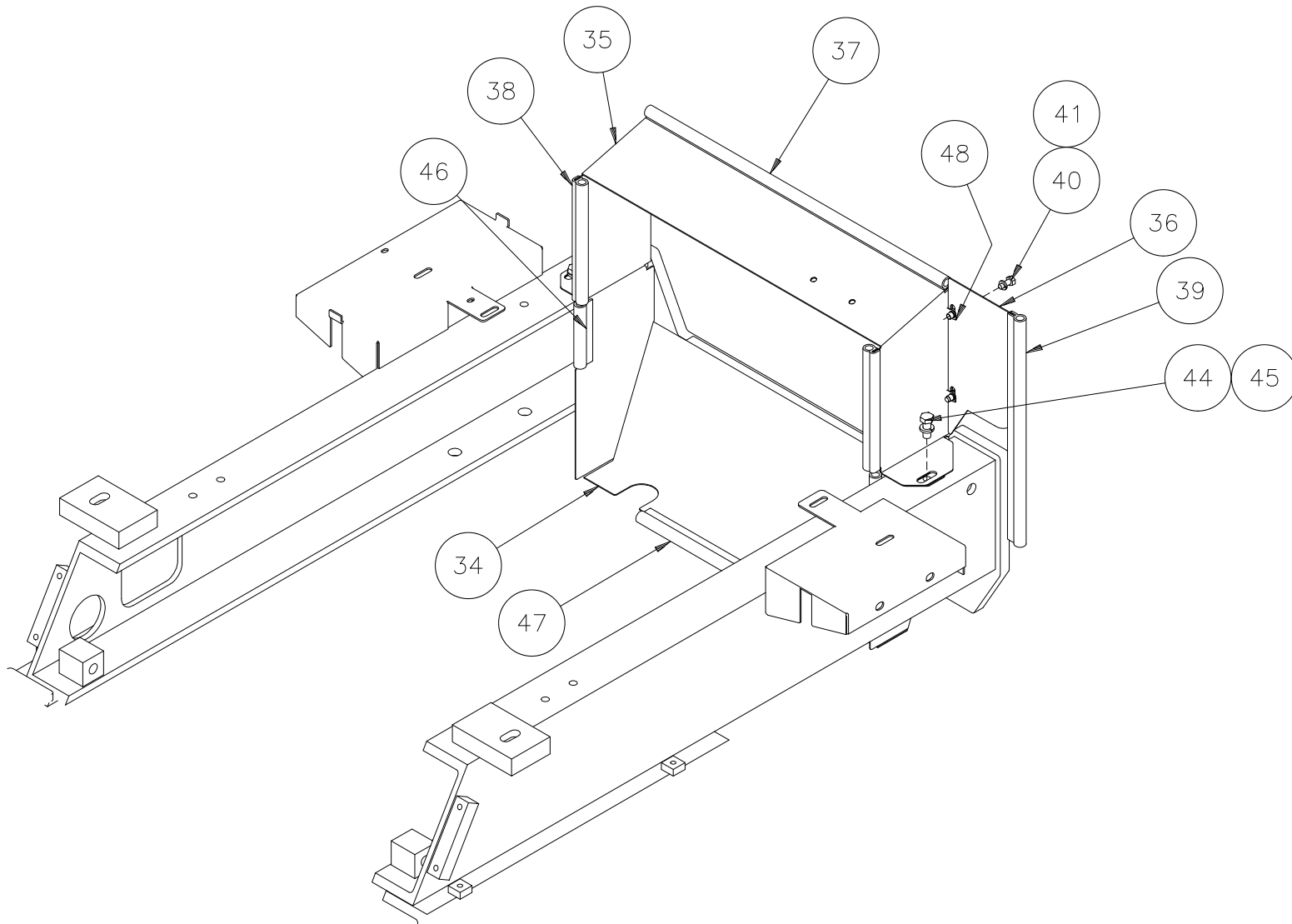
K-D HAWK RADIATOR COOLER TRAYS

30-2
40-2

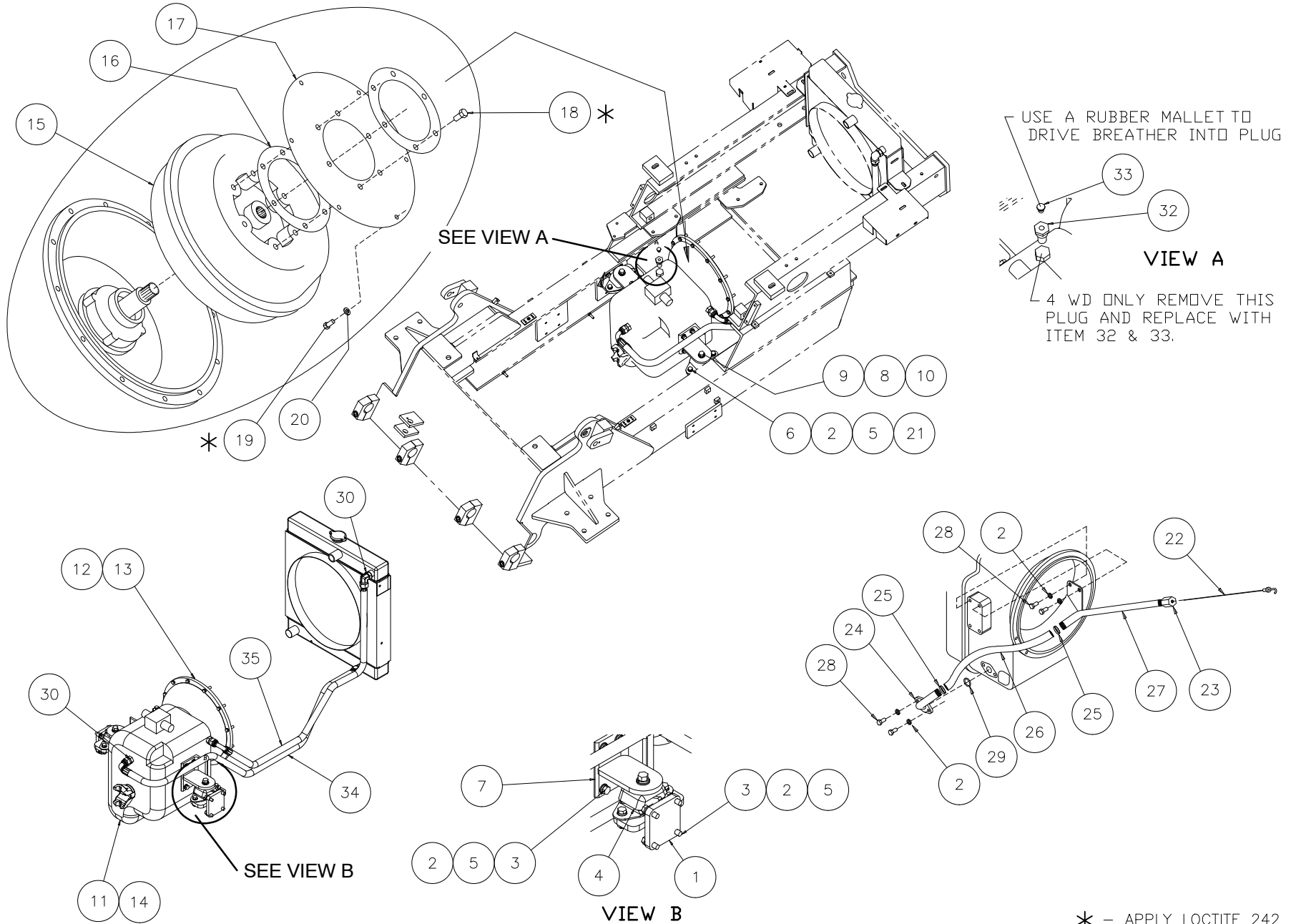
30-4
40-4

30-2 H
40-2 H

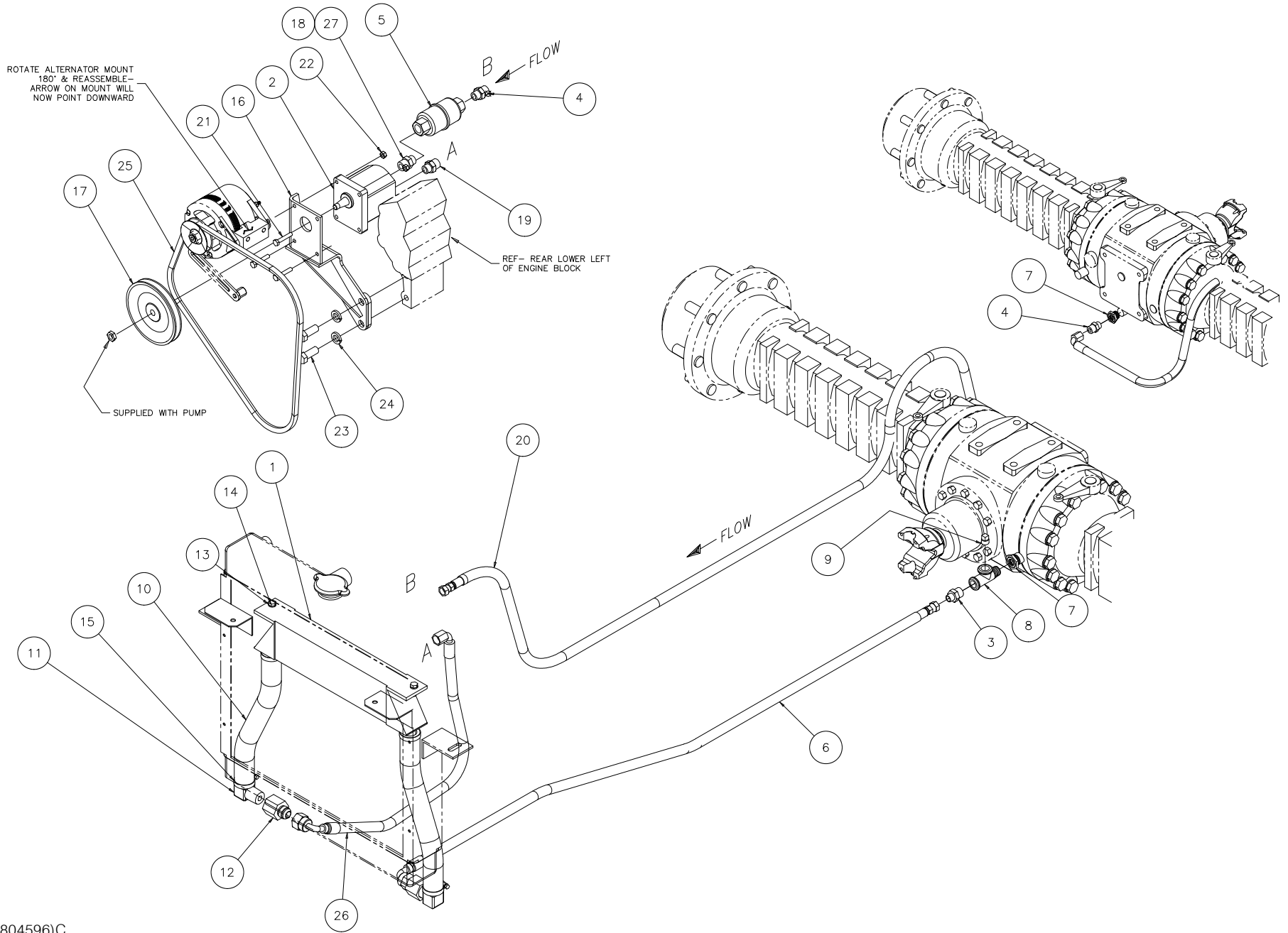
30-4 H
40-4 H



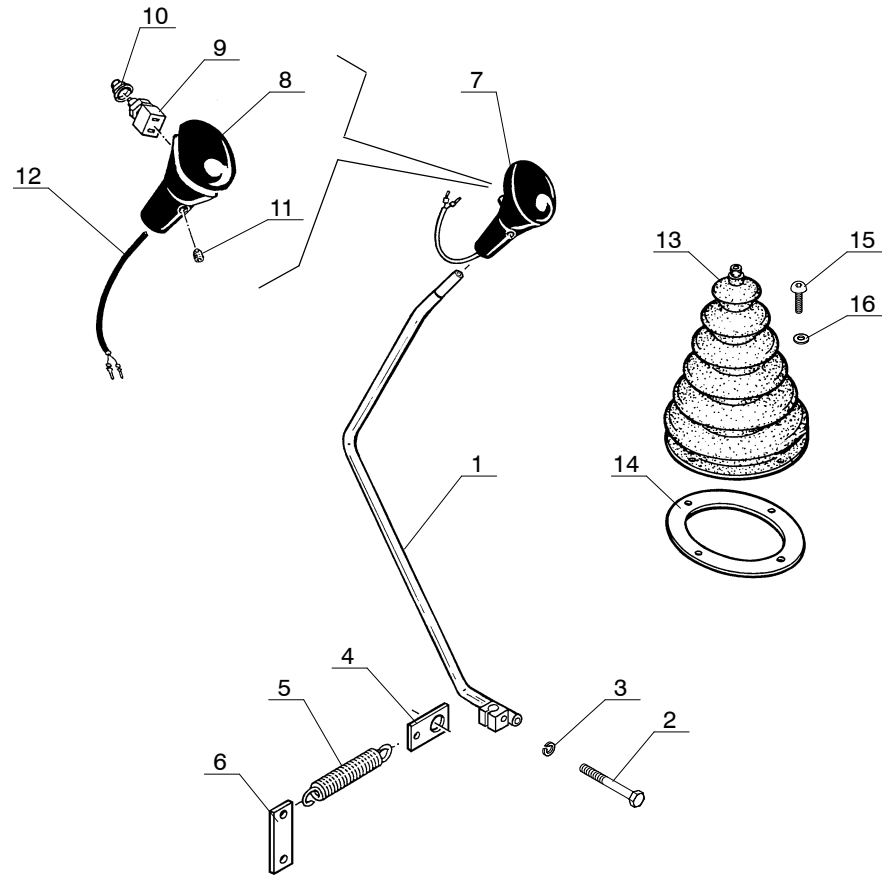
			QUANTITY / MODEL								4 AA 625				
			30-4	40-4				30-4 H	40-4 H						
1/1 <i>K-D HAWK</i> RADIATOR COOLER TRAYS															
ITEM	PART NO.	DESCRIPTION	30-2	40-2				30-2 H	40-2 H						
33	804345	Cover, Fuel Tank	1	1				1	1						
34	804490	Cooler Tray, Bottom	1	1				1	1						
35	804592	Cooler Tray, Top	1	1				1	1						
36	802885	Plate	1	1				1	1						
37	802889	Weather strip, 25"	1	1				1	1						
38	802892	Weather strip	2	2				2	2						
39	802887	Weather strip	1	1				1	1						
40	42347	Bolt	2	2				2	2						
41	42325	Washer	2	2				2	2						
44	63547	Bolt	2	2				2	2						
45	42231	Washer	2	2				2	2						
46	Z4054	Weather strip x 4.5	2	2				2	2						
47	Z4054	Weather strip x 30	1	1				1	1						
48	805537	U-Nut	2	2				2	2						



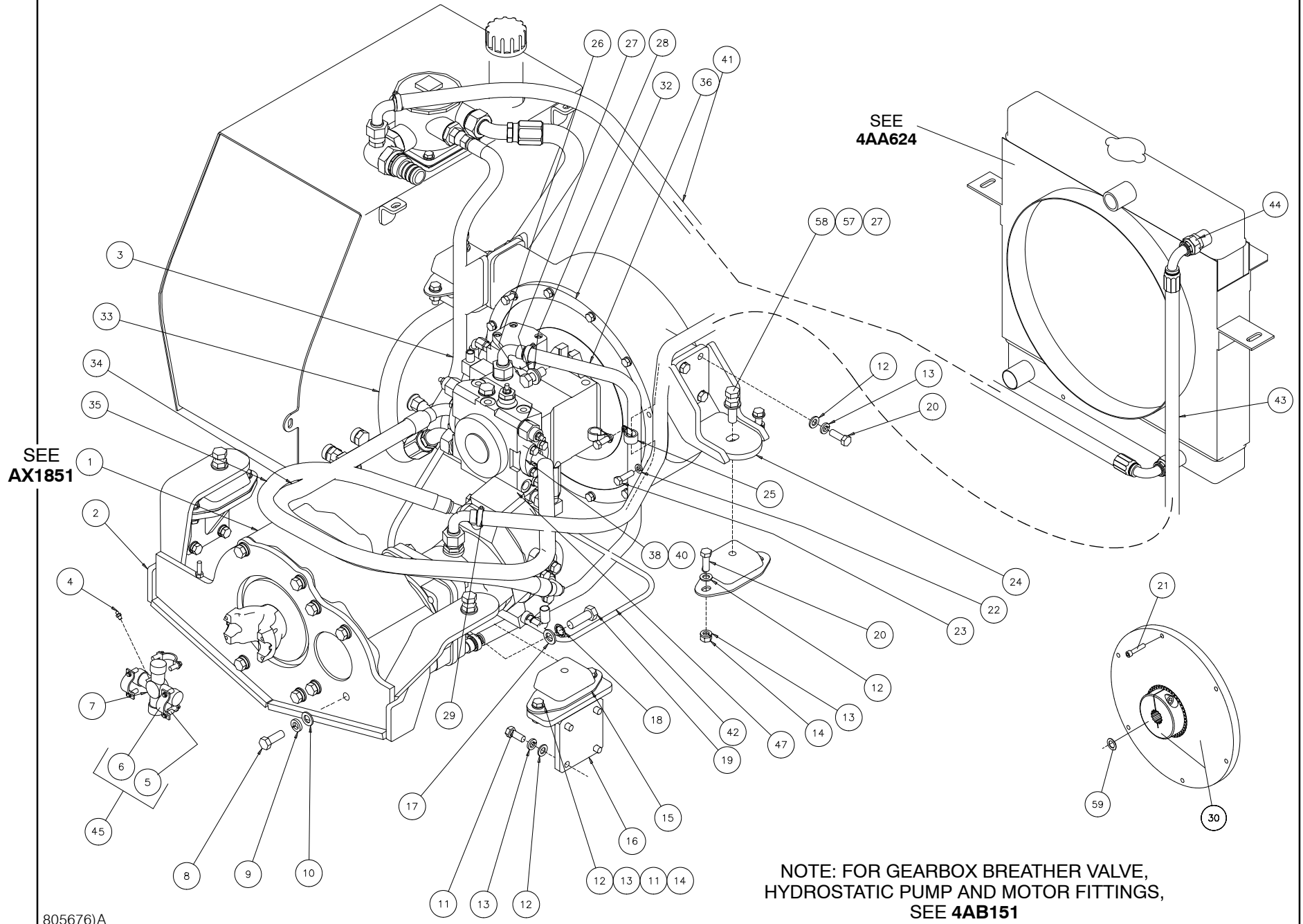
			QUANTITY / MODEL												4 AA 606		
1/2			K-D HAWK TRANSMISSION INSTALLATION, 4-SPEED														
ITEM	PART NO.	DESCRIPTION	30-2	40-2													
1	801820	Transmission mount, lower	2	2													
2	42231	Washer	16	16													
3	58546	Bolt	16	16													
4	242496	Motor mount, rubber	2	2													
5	61676	Washer	12	12													
6	29475	Bolt	4	4													
7	801822	Transmission mount, upper	2	2													
8	62203	Washer	2	2													
9	42322	Washer	2	2													
10	58588	Bolt	2	2													
11	222573	Transmission, 4WD (ALL 4-SPEED, 4WD MODELS)															
12	KN630174	Washer	12	12													
13	KN605803	Bolt	12	12													
14	222572	Transmission, 2WD (ALL 4-SPEED, 2WD MODELS)															
15	209372	Torque converter	1	1													
16	209374	Re-inforcing plate	2	2													
17	209373	Flex drive plate	1	1													
18	209376	Bolt	6	6													
19	209375	Bolt	6	6													
20	209573	Washer	6	6													
21	58548	Nut	4	4													
22	252947	Dipstick, transmission	1	1													
23	252997	Fitting	1	1													
24	219432	Tube, weldment	1	1													
25	71940	Hose clamp	2	2													
26	802934	Hose	1	1													
27	805067	Tube, bent	1	1													
28	44807	Bolt	4	4													



			QUANTITY / MODEL																	
1/1 K-D HAWK OIL COOLER, DRIVE AXLE, TORQUE CONVERTER			30-4		40-4															
ITEM	PART NO.	DESCRIPTION	30-2	40-2																
1	812481	Oil cooler	1	1																
2	244242	Pump	1	1																
3	425495	Adapter	1	1																
4	425494	Adapter	2	2																
5	425481	Filter	1	1																
6	804600	Hose assembly	1	1																
7	425493	Adapter	2	2																
8	K224-6	Tee	1	1																
9	B114A3	Plug	1	1																
10	804597	Hose	2	2																
11	803409	Hose insert	2	2																
12	804598	Adapter	2	2																
13	K34807	Washer, lock	2	2																
14	K20388	Bolt	2	2																
15	804776	Clamp, hose	2	2																
16	804707	Pump mount bracket	1	1																
17	244289	Pulley	1	1																
18	804808	Adapter	1	1																
19	804809	Adapter	1	1																
20	M0000096-16	Hose assembly	1	1																
21	58530	Bolt	4	4																
22	54242	Nut	4	4																
23	42818	Bolt	2	2																
24	42322	Washer, lock	2	2																
25	804881	Belt	1	1																
26	804599	Hose assembly	1	1																
27	804819	O-ring	1	1																

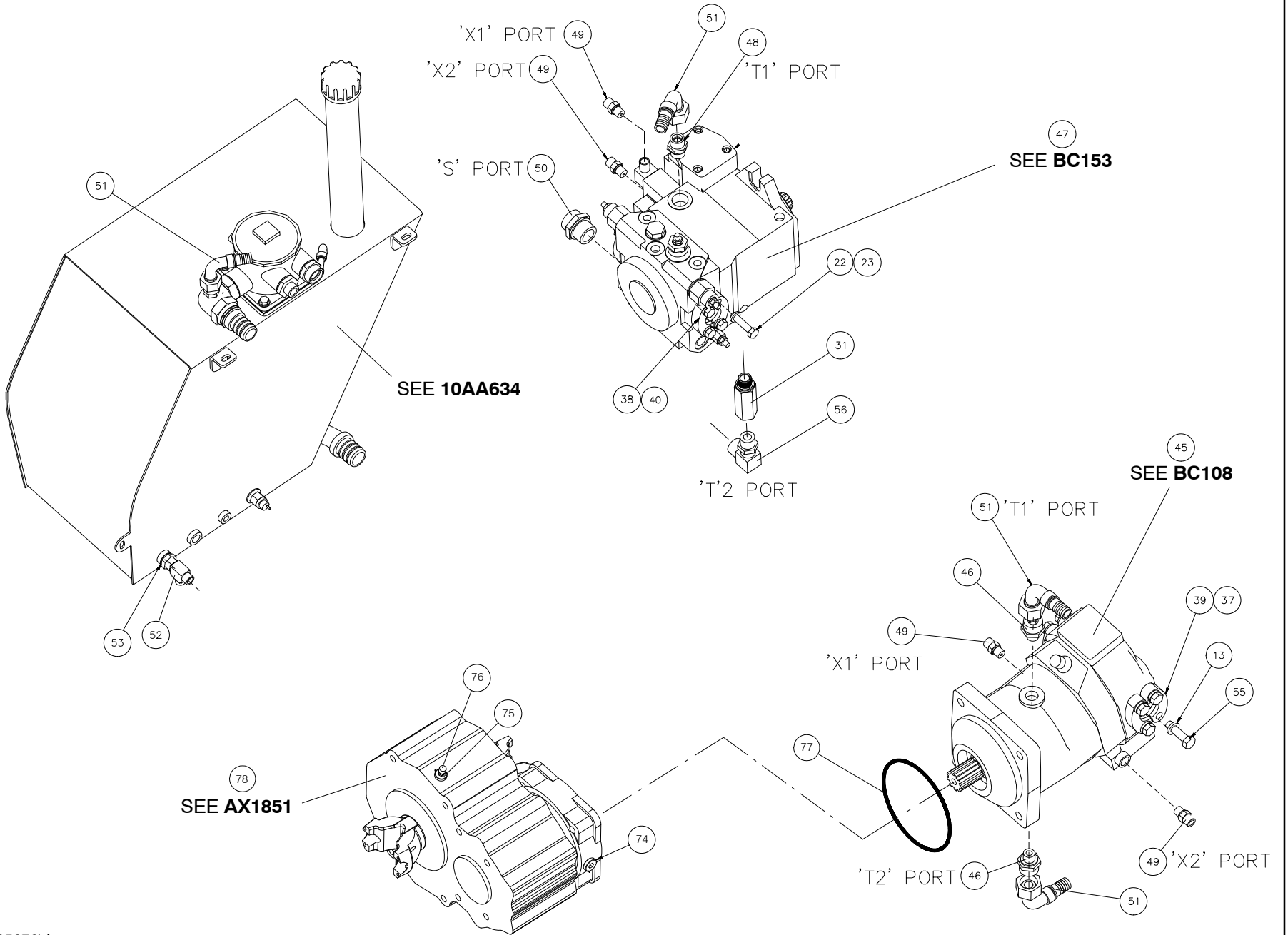


			QUANTITY / MODEL										4 AA 607			
			30-4	40-4												
1/1 K-D HAWK GEAR LEVER ASSEMBLY, 4-SPD TRANS			30-2	40-2												
ITEM	PART NO.	DESCRIPTION														
	803392	Gear lever assembly, complete (77 in. & 81 in. cab)	1	1												
1	803388	Lever, (77 in. & 81 in. cab)	1	1												
2	29475	Screw	1	1												
3	42231	Washer	1	1												
4	78086	Fixing spring	1	1												
5	80308	Spring	1	1												
6	164965	Fastening plate	1	1												
7	211278	Ball assembly	1	1												
8	551255	Cap	1	1												
9	551256	Switch, trans cut-off	1	1												
10	551258	Cap	1	1												
11	551257	Screw	1	1												
12	551259	Wire harness	1	1												
13	78088	Bellows	1	1												
14	803875	Fastening plate	1	1												
15	189172	Screw	4	4												
16	189857	Washer	4	4												

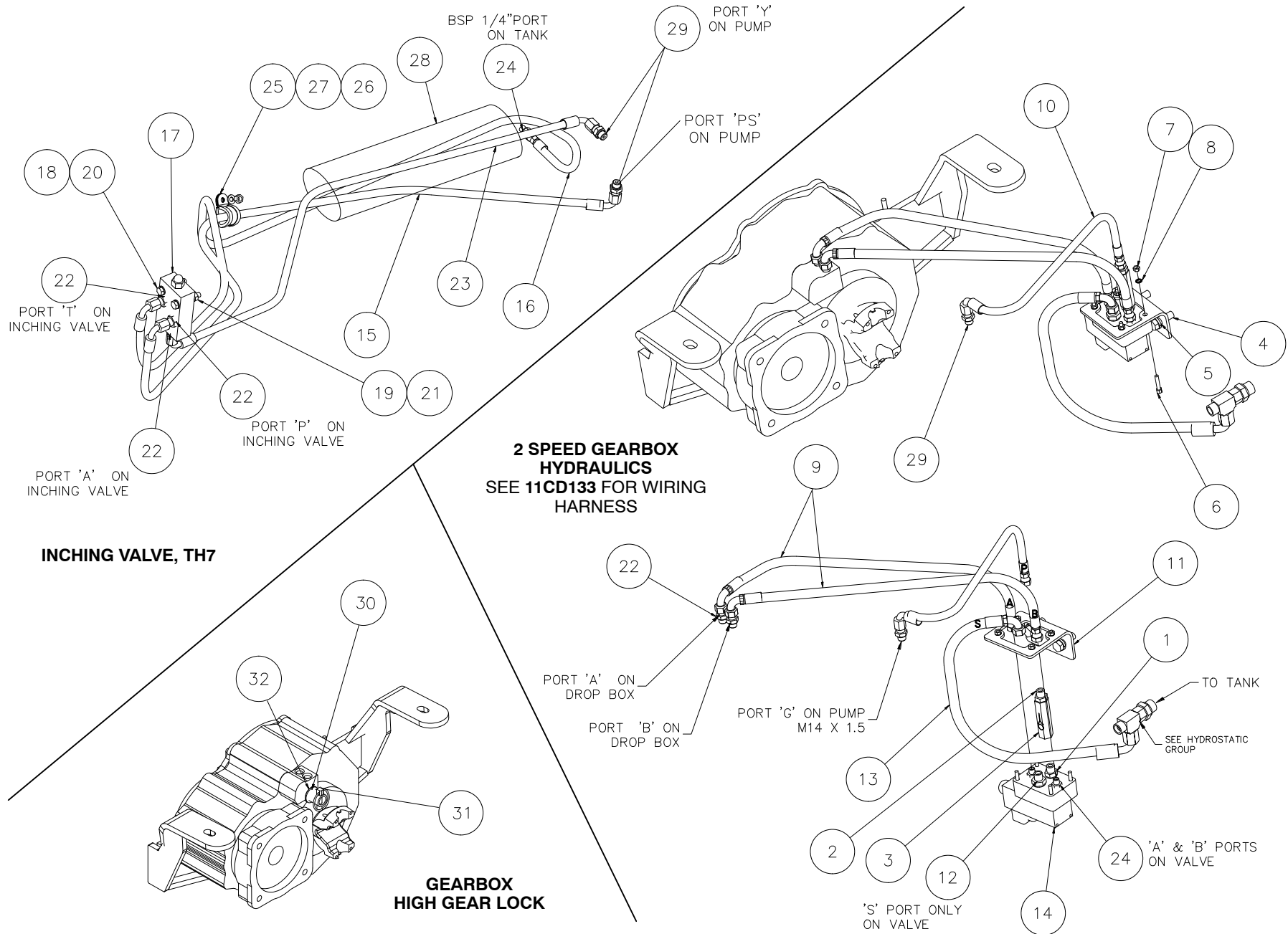


			QUANTITY / MODEL										4 AB 149							
1/2 K-D HAWK HYDROSTATIC (TRANS) SYS ASSEMBLY 1 OF 2																				
ITEM	PART NO.	DESCRIPTION										30-4 H	40-4 H							
												30-2 H	40-2 H							
1	801992	Gearbox assembly, 6 & 8 K										1	1							
2	802120	Gear box mount (NO FRAME LEVELING)										1	1							
3	803885	Hose assembly, Pump 'T' to Tank										1	1							
4	162809	Grease fitting										1	1							
5	109752	Bolt										8	8							
6	109751	Clamp half										4	4							
7	424647	Crossblock, universal joint (Includes Item 4)										1	1							
8	58557	Bolt										8	8							
9	42256	Washer										8	8							
10	61680	Washer										8	8							
11	63547	Bolt										16	16							
12	61676	Washer										32	32							
13	42231	Washer										32	32							
14	58548	Nut										8	8							
15	242496	Shock mount										4	4							
16	802292	Mount, gear box										2	2							
17	KN630091	Washer										8	8							
18	KN630361	Washer										8	8							
19	61308	Bolt										4	4							
20	58546	Bolt										8	8							
21	K302211	Screw										6	6							
22	42232	Washer										12	12							
23	168351	Bolt										12	12							
24	801943	Mount, flywheel										2	2							
25	B3698-17	Clamp										2	2							

			QUANTITY / MODEL								4 AB 149				
2/2 K-D HAWK HYDROSTATIC (TRANS) SYS ASSEMBLY 1 OF 2								30-4 H	40-4 H						
ITEM	PART NO.	DESCRIPTION						30-2 H	40-2 H						
26	42818	Bolt						2	2						
27	62203	Washer						6	6						
28	42322	Washer						2	2						
29	33593	Clamp						8	8						
30	805677	Hydrostatic coupling (less Item 21)						1	1						
31	- - - -	deleted													
32	508802	Plate, pump mounting						1	1						
33	803271	Hose assembly, hydrostatic supply						1	1						
34	803829	Hose assembly, pump to motor						1	1						
35	803765	Hose assembly, pump to motor						1	1						
36	802898	Hose, pump 't'- motor 't'						1	1						
37	- - - -	deleted													
38	- - - -	deleted													
39	- - - -	deleted													
40	- - - -	deleted													
41	804612	Hose assembly						1	1						
42	803275	Hose assembly, pump 'x1'- motor'x2'						2	2						
43	804611	Hose assembly, pump 'x2'- motor'x1'						1	1						
44	R18147-5	Connector						2	2						
45	425330	Strap and bolt kit (2 straps, 4 bolts)						2	2						
57	42813	Nut						4	4						
58	168365	Bolt						4	4						
59	K97615	Snap ring						1	1						



			QUANTITY / MODEL										4 AB 151							
1/1 K-D HAWK HYDROSTATIC (TRANS) SYSTEM ASSEMBLY 2 OF 2																				
ITEM	PART NO.	DESCRIPTION										30-4 H	40-4 H							
												30-2 H	40-2 H							
13	42231	Washer, lock										8	8							
22	42232	Washer, lock										8	8							
23	168351	Bolt										8	8							
31	803886	Check valve, 3 bar										1	1							
37	803611	O-ring -16										2	2							
38	803566	Split flange -12										4	4							
39	803570	Split flange -16										4	4							
40	803585	O-ring -12										2	2							
45	208701	Hydrostatic motor										1	1							
46	234267	Adapter										2	2							
47	802903	Pump, hydrostatic										1	1							
48	524789	Adapter										1	1							
49	806955	Connector, modified										2	2							
50	803270	Connector										1	1							
51	208561	Fitting										4	4							
52	R19829-1	Tee, swivel run										1	1							
53	803026	Connector										1	1							
55	29475	Bolt										8	8							
56	R19452	Elbow										1	1							
74	804128	Plug										1	1							
75	804130	Plugged, tapped										1	1							
76	420431	Breather valve										1	1							
77	564073	O-ring										1	1							
78	801992	Gearbox assembly, 6 & 8 K										1	1							



			QUANTITY / MODEL										4 AB 152								
1/2 <i>K-D HAWK</i> HYDROSTATIC GEARBOX HYDRAULICS																					
ITEM	PART NO.	DESCRIPTION										30-4 H	40-4 H								
												30-2 H	40-2 H								
1	803684	Connector										1	1								
2	803196	Connector										1	1								
3	62179	Check valve										1	1								
4	58546	Bolt										2	2								
5	42231	Washer										2	2								
6	168706	Screw										4	4								
7	25714	Nut										4	4								
8	174132	Washer										4	4								
9	803175	Hose assembly										2	2								
10	805118	Hose assembly										1	1								
11	802504	Plate, valve support										1	1								
12	803174	Connector										1	1								
13	803180	Hose assembly										1	1								
14	60998	Electrovalve										1	1								
15	805120	Hose assembly										1	1								
16	803185	Hose assembly										1	1								
17	75498	Valve, TH7										1	1								
18	61674	Washer										4	4								
19	58528	Nut										2	2								
20	58531	Bolt										2	2								
21	42325	Washer										2	2								
22	803182	Connector										5	5								
23	805119	Hose assembly										1	1								
24	803184	Connector										3	3								
25	86506	Clamp										1	1								
26	K55691	Nut										1	1								
27	K44722	Washer										1	1								
28	Z4525	Sleeve, hose x 60"										1	1								
29	805121	Connector										3	3								

QUANTITY / MODEL

4 AB 152

2/2

K-D HAWK HYDROSTATIC GEARBOX HYDRAULICS

ITEM

PART NO.

DESCRIPTION

30-4 H

40-4 H

30-2 H

40-2 H

30

805709

Retainer

1

1

31

E411

Pin, lynch

1

1

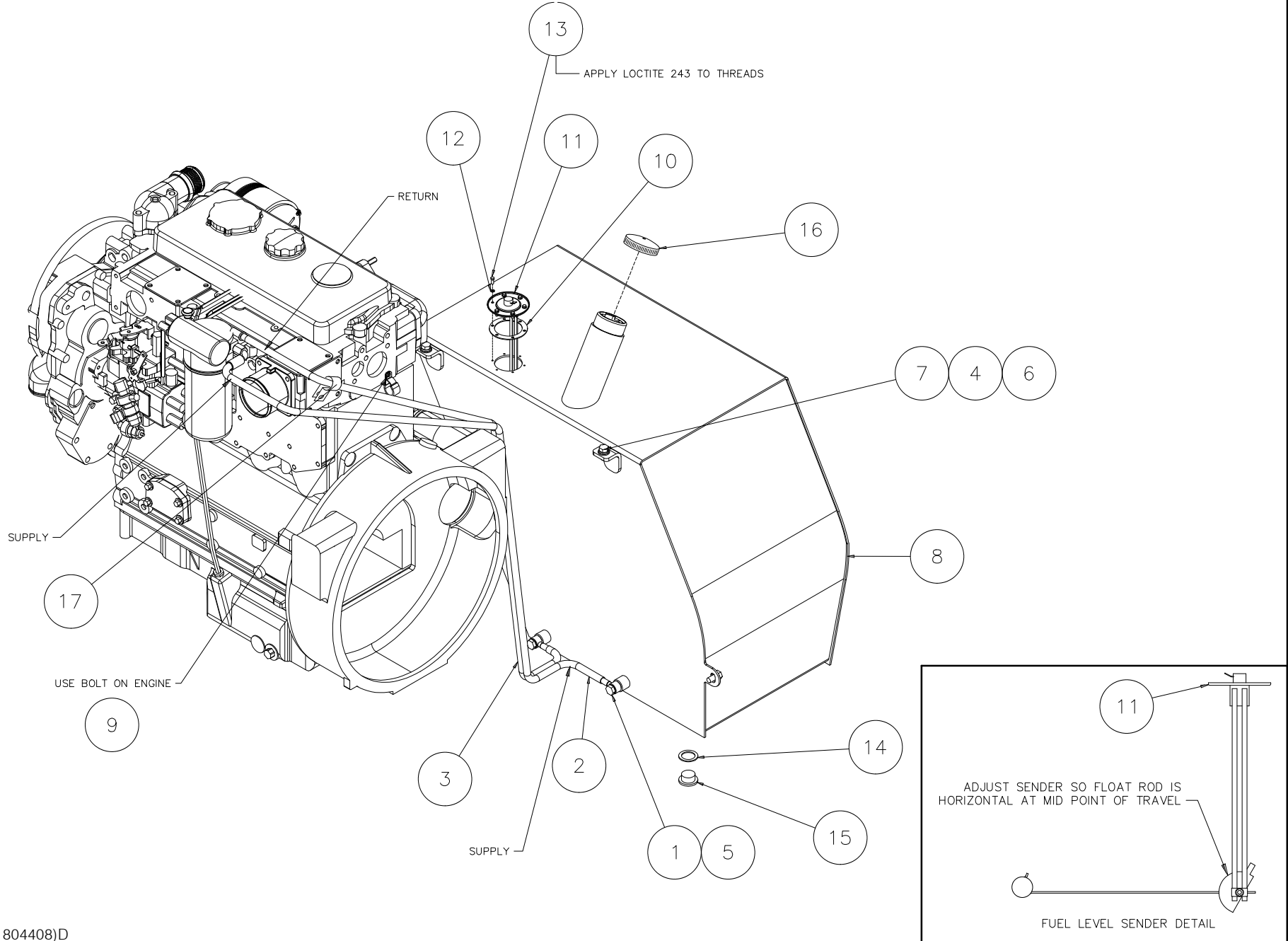
32

K44748

Washer

2

2



			QUANTITY / MODEL								4 AC 216			
			30-4	40-4					30-4 H	40-4 H				
1/1 <i>K-D HAWK</i> FUEL TANK ASSEMBLY														
ITEM	PART NO.	DESCRIPTION	30-2	40-2					30-2 H	40-2 H				
1	129397	Screw, banjo	2	2					2	2				
2	247818	Hose assembly	1	1					1	1				
3	247819	Hose assembly	1	1					1	1				
4	29437	Washer	3	3					3	3				
5	3411	Washer, seal	4	4					4	4				
6	42232	Washer, lock	3	3					3	3				
7	63727	Bolt	3	3					3	3				
8	804402	Tank	1	1					1	1				
9	B3698-15	Clamp	1	1					1	1				
10	187485	Gasket	1	1					1	1				
11	187283	Sender, fuel level	1	1					1	1				
12	187294	Washer	6	6					6	6				
13	802288	Bolt	6	6					6	6				
14	189536	Seal, drain plug	1	1					1	1				
15	189535	Drain plug	1	1					1	1				
16	806421	Fuelcap		1	1					1	1			
17	B3698-8	Hose clamp	1	1					1	1				

4 AC 217

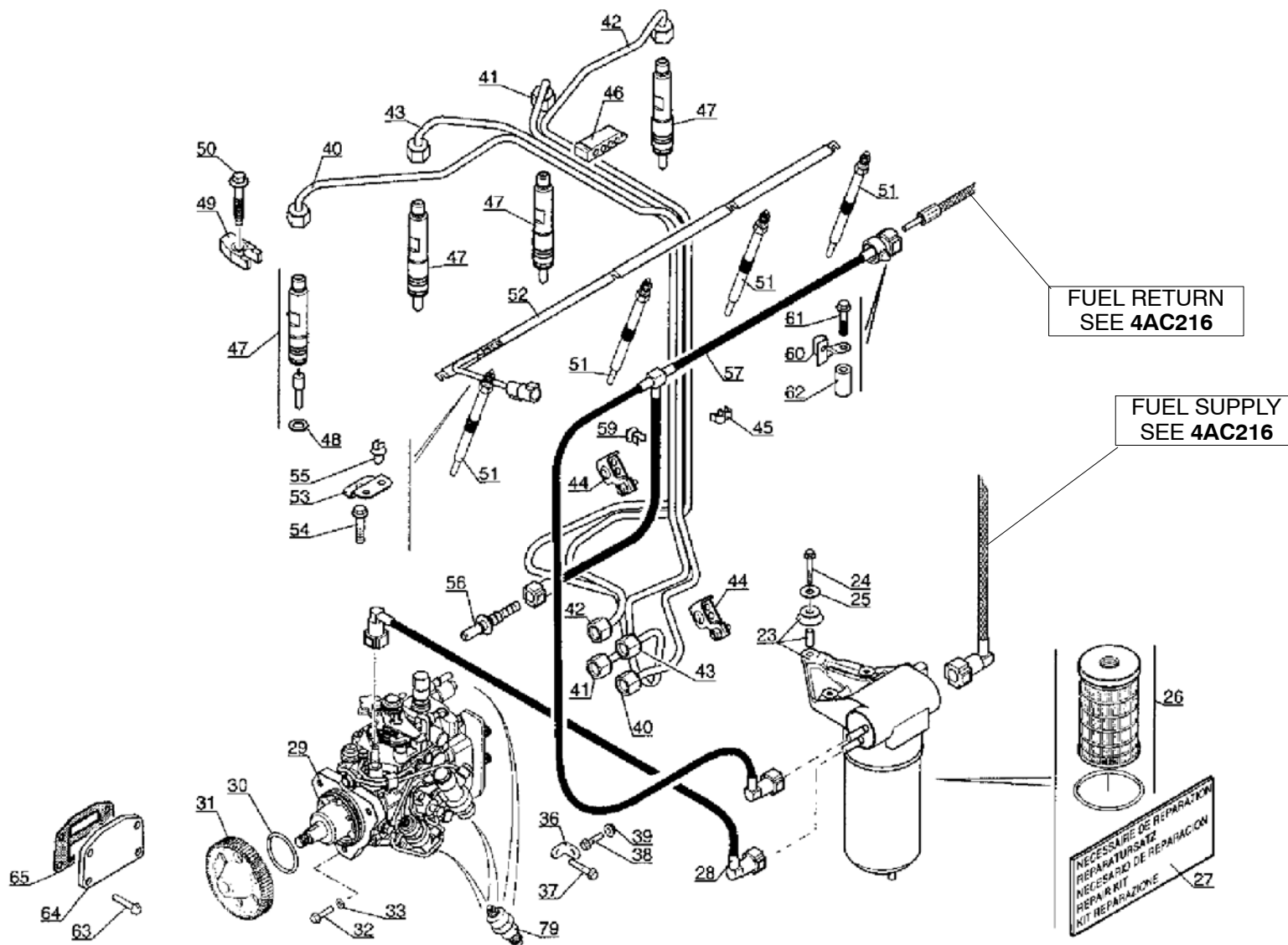
K-D HAWK FUEL SYSTEM, ENGINE

30-2
40-2

30-4
40-4

30-2 H
40-2 H

30-4 H
40-4 H



			QUANTITY / MODEL								4 AC 217				
1/2			K-D HAWK FUEL SYSTEM, ENGINE												
ITEM	PART NO.	DESCRIPTION	30-2	40-2				30-4 H	40-4 H						
23	702600	Fuel filter, complete	1	1				1	1						
24	477748	Screw	3	3				3	3						
25	605014	Washer	3	3				3	3						
26	605013	Filter cartridge and seal	1	1				1	1						
27	702761	Repair kit	1	1				1	1						
28	605016	Hose	1	1				1	1						
29	605017	Injection pump	1	1				1	1						
30	605020	O-ring	1	1				1	1						
31	605018	Gear	1	1				1	1						
32	473986	Screw	3	3				3	3						
33	605019	Washer	3	3				3	3						
36	605021	Fastening lug	1	1				1	1						
37	473943	Screw	1	1				1	1						
38	107363	Screw	1	1				1	1						
39	473939	Nut	1	1				1	1						
40	605022	Tube, cylinder one	1	1				1	1						
41	605024	Tube, cylinder three	1	1				1	1						
42	605025	Tube, cylinder four	1	1				1	1						
43	605023	Tube, cylinder two	1	1				1	1						
44	605026	Clamp	2	2				2	2						
45	702158	Clamp	A/R	A/R				A/R	A/R						
46	473950	Clamp	1	1				1	1						
47	605027	Injector	4	4				4	4						
48	551500	Washer	4	4				4	4						
49	702760	Locking collar	4	4				4	4						

			QUANTITY / MODEL								4 AC 217				
			30-4	40-4				30-4 H	40-4 H						
2/2			K-D HAWK FUEL SYSTEM, ENGINE												
ITEM	PART NO.	DESCRIPTION	30-2	40-2				30-2 H	40-2 H						
50	605029	Screw	4	4				4	4						
51	605030	Heating plug	4	4				4	4						
52	605031	Wiring harness	1	1				1	1						
53	605032	Bracket	1	1				1	1						
54	474064	Screw	1	1				1	1						
55	605033	Clamp	1	1				1	1						
56	605035	Connection	1	1				1	1						
57	605034	Hose	1	1				1	1						
59	605036	Clamp	1	1				1	1						
60	605037	Bracket	1	1				1	1						
61	474031	Screw	1	1				1	1						
62	605038	Spacer	1	1				1	1						
63	473955	Screw	4	4				4	4						
64	702052	Fastening plage	4	4				4	4						
65	604973	Gasket	1	1				1	1						
79	702709	Starting electrovalve	3	3				3	3						

5 AA 101

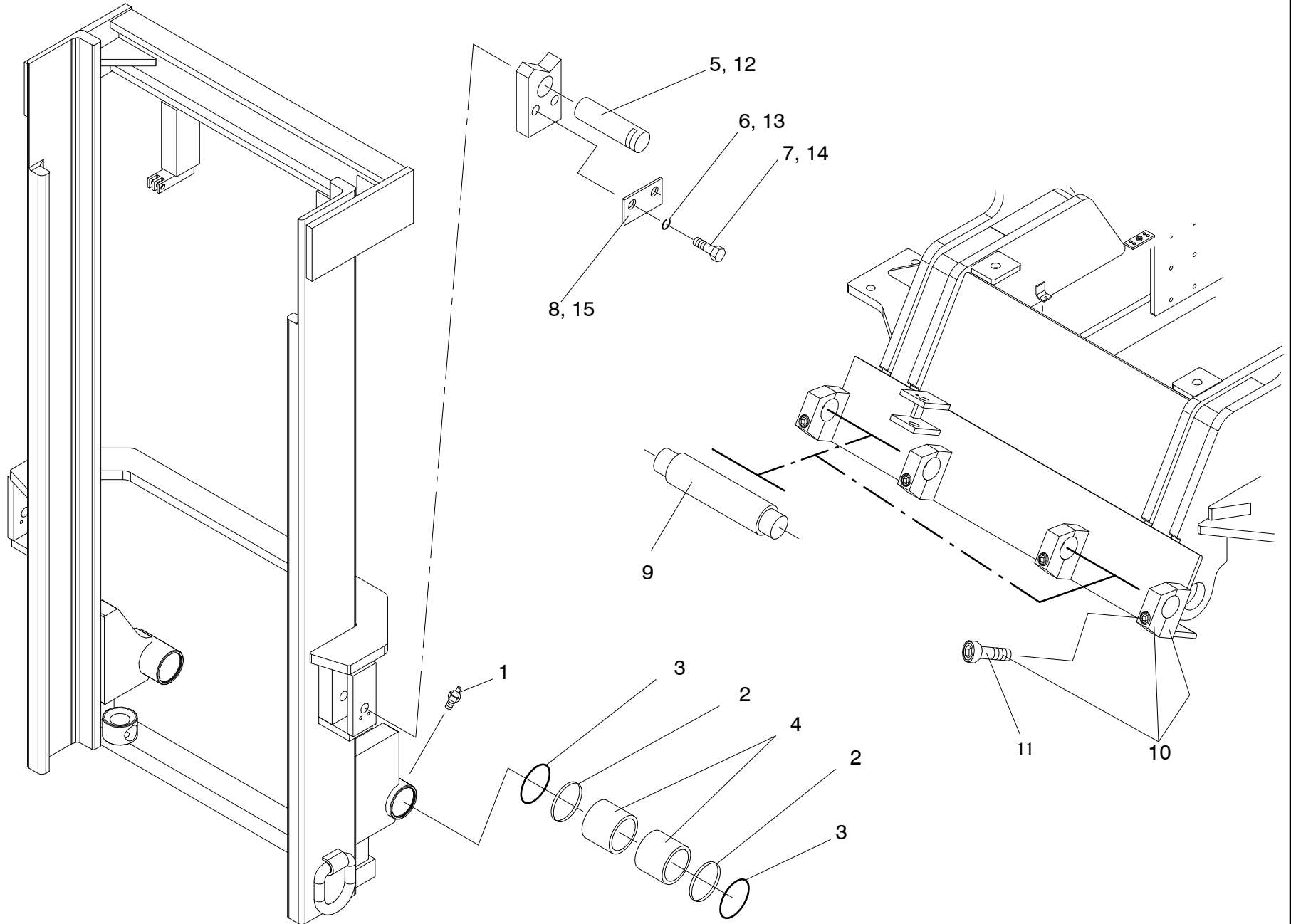
K-D HAWK MAST MOUNTING HARDWARE

30-2
40-2

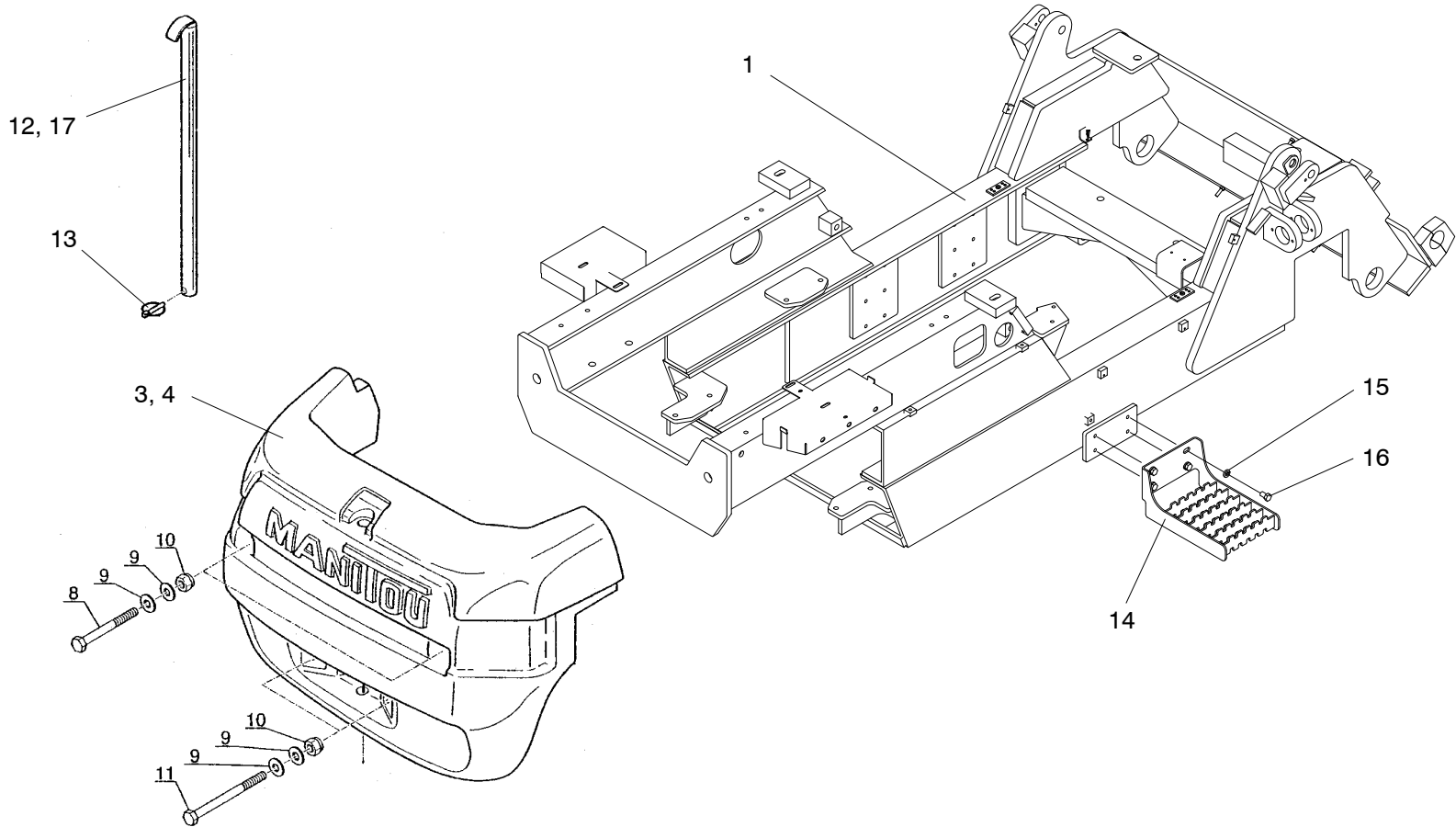
30-4
40-4

30-2 H
40-2 H

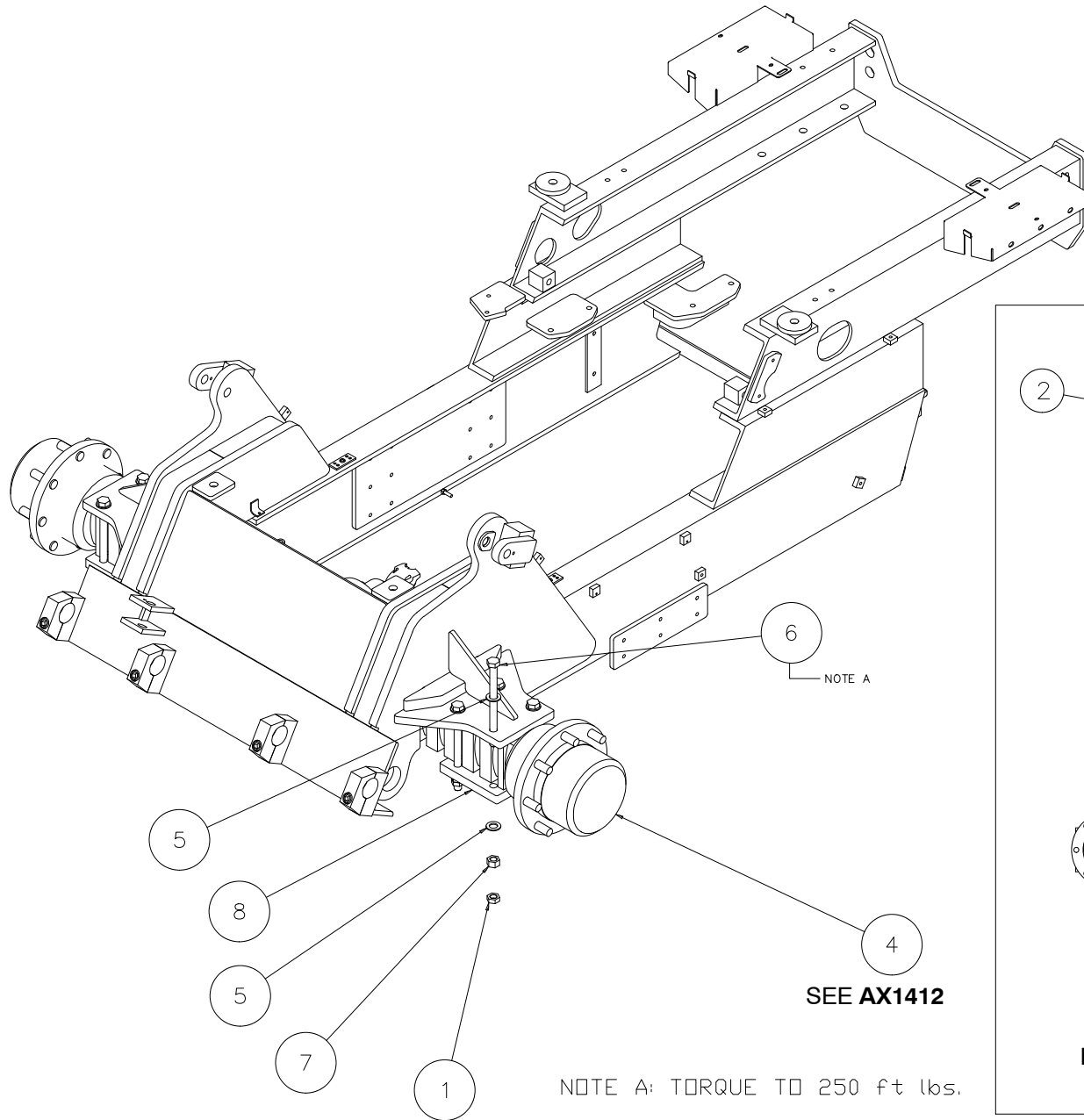
30-4 H
40-4 H



			QUANTITY / MODEL								5 AA 101				
1/1 K-D HAWK MAST MOUNTING HARDWARE			30-4	40-4				30-4 H	40-4 H						
ITEM	PART NO.	DESCRIPTION	30-2	40-2				30-2 H	40-2 H						
1	K87901	Grease fitting	2	2				2	2						
2	R106	Ring, retaining	4	4				4	4						
3	R4584	Wiper	4	4				4	4						
4	R7638	Bearing, mast mounting	4	4				4	4						
5*	R25454	Pin	2	2				2	2						
6*	K34807	Washer, lock	4	4				4	4						
7*	K20388	Bolt	4	4				4	4						
8*	R25456	Plate, pin retaining	2	2				2	2						
9	B5407	Bar, mast support	2	2				2	2						
10	B5795	Cap and base assembly - Welding required, must show proof of certification	4	4				4	4						
11	B6119	Bolt	4	4				4	4						
12**	77399	Pin	2	2				2	2						
13**	42232	Washer, lock	4	4				4	4						
14**	63727	Bolt	4	4				4	4						
15**	165363	Plate, pin retaining	2	2				2	2						
		*For use with "K" Model Masts **For use with "800000" Model Masts													

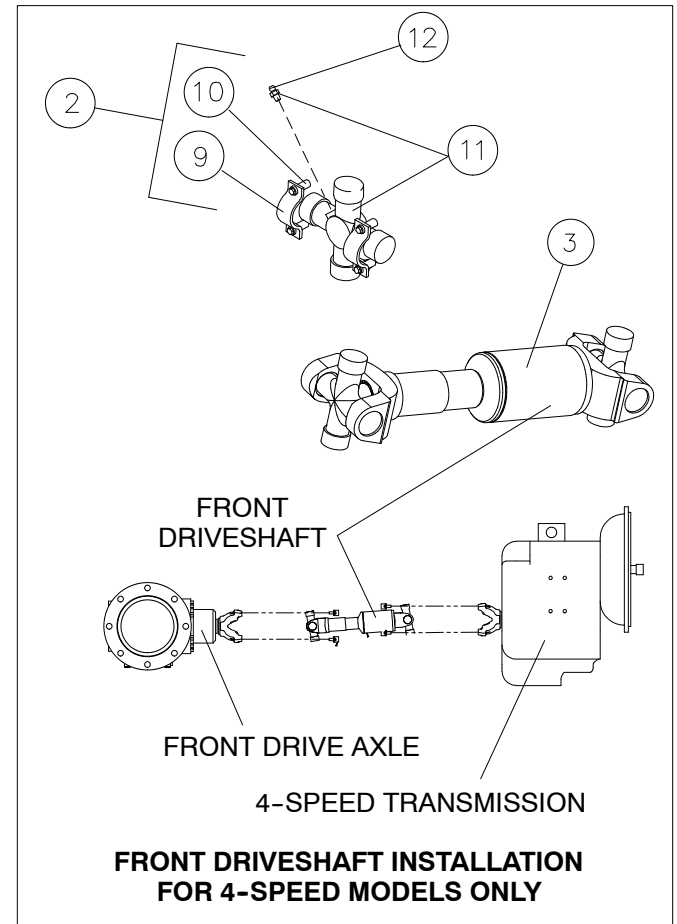


			QUANTITY / MODEL								6 AA 374			
1/1 K-D HAWK FRAME, COUNTERWEIGHTS AND STEPS			30-4	40-4				30-4 H	40-4 H					
ITEM	PART NO.	DESCRIPTION	30-2	40-2				30-2 H	40-2 H					
1	803688	Frame (ALL, EXCEPT FRAME LEVELING)	1	1				1	1					
3	218177	Counterweight	1					1						
4	218178	Counterweight		1					1					
8	75992	Screw	2	2				2	2					
9	63936	Washer	8	8				8	8					
10	184642	Nut	4	4				4	4					
11	168379	Screw	2	2				2	2					
12	219518	Towing spindle	1					1						
13	32963	Pin	1	1				1	1					
14	803768	Step assembly, all models	2	2				2	2					
15	42231	Washer	8	8				8	8					
16	63546	Bolt	8	8				8	8					
17	218265	Towing spindle		1					1					

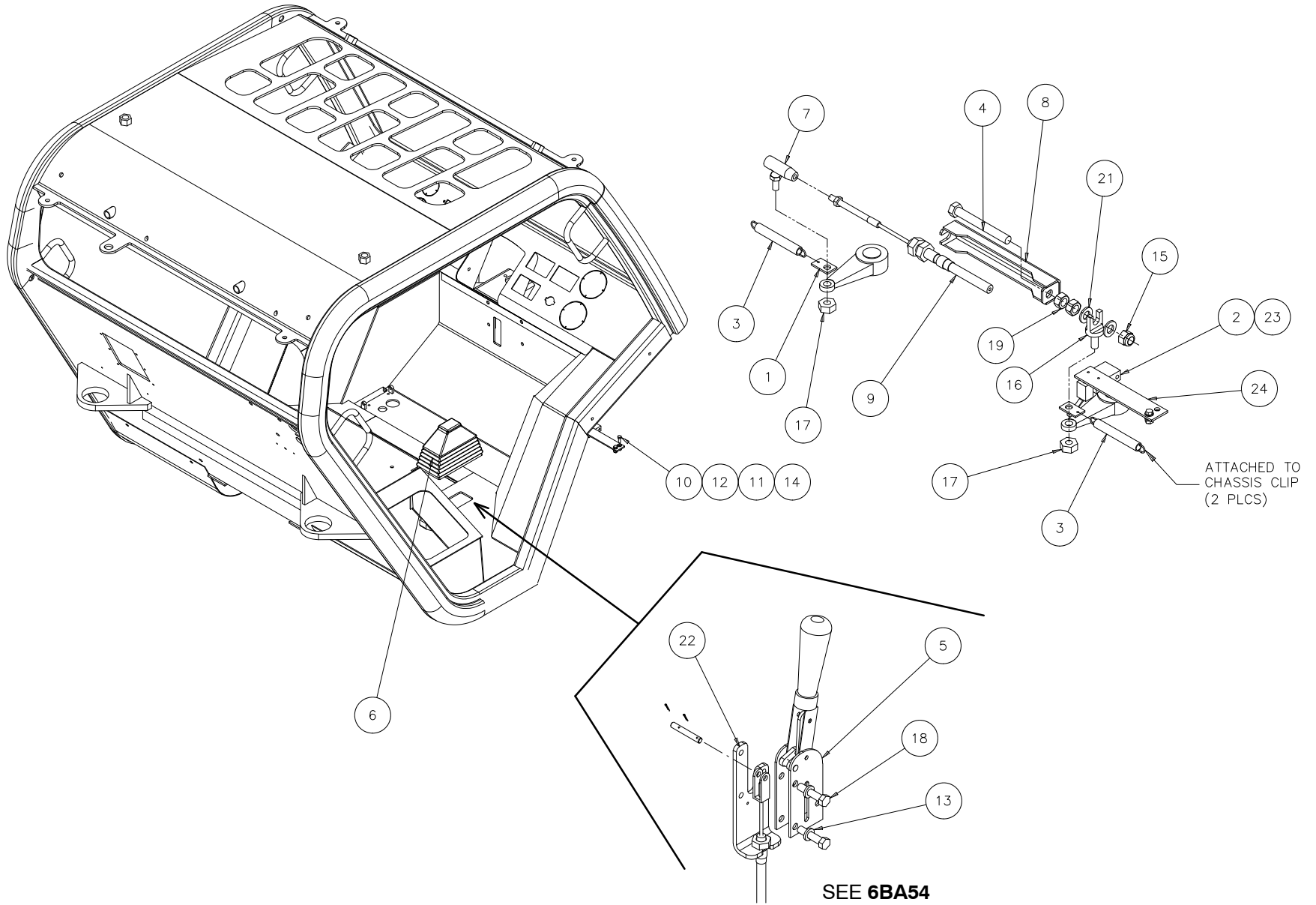


SEE AX1412

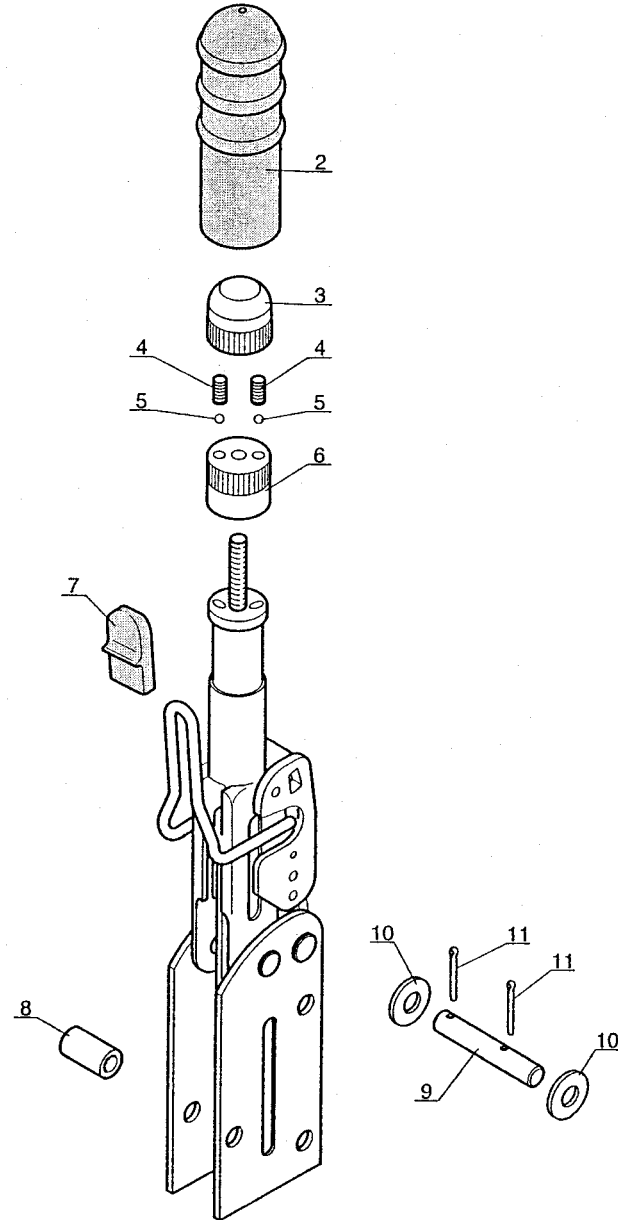
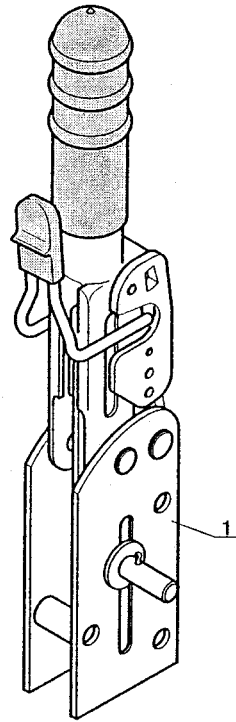
NOTE A: TORQUE TO 250 ft lbs.



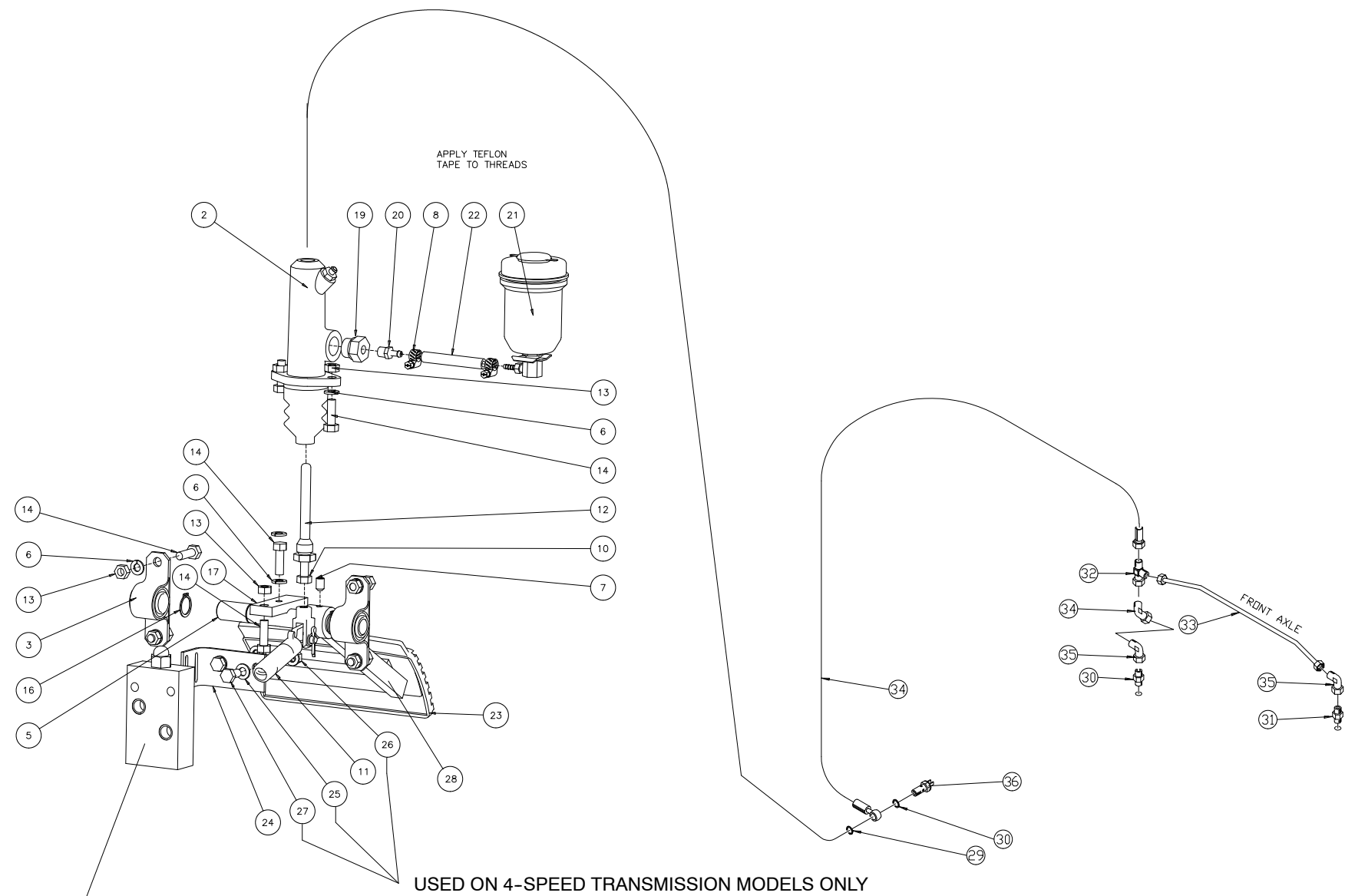
			QUANTITY / MODEL								6 AA 369			
1/1 K-D HAWK FRONT DRIVE AXLE AND DRIVESHAFT INSTALLATION			30-4	40-4				30-4 H	40-4 H					
ITEM	PART NO.	DESCRIPTION	30-2	40-2				30-2 H	40-2 H					
1	K34691	Nut, jam	8	8				8	8					
2	425330	Strap and bolt kit (4-SPEED MODELS ONLY)	2	2				2	2					
3	802047	Driveshaft, front (4-SPEED MODELS ONLY)	1	1				1	1					
4	804065	Axle, front drive	1	1				1	1					
5	K44748	Washer, flat	16	16				16	16					
6	804828	Bolt	8	8				8	8					
7	K34992	Nut	8	8				8	8					
8	803560	Plate, axle mount	2	2				2	2					
9	109751	Clamp half	4	4				4	4					
10	109752	Bolt	8	8				8	8					
11	424647	U-joint	2	2				2	2					
12	162809	Zerk, grease fitting	2	2				2	2					



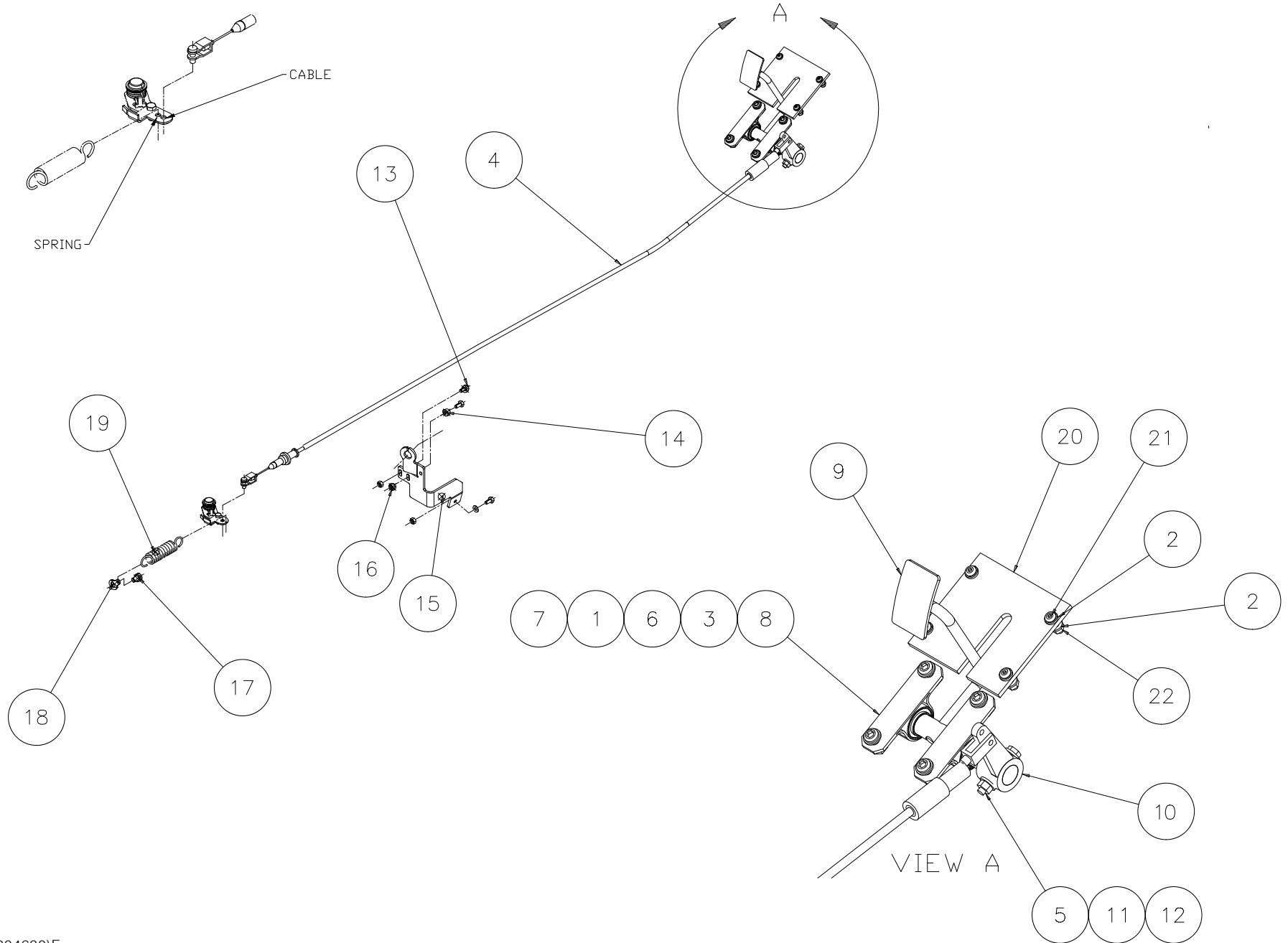
			QUANTITY / MODEL								6 BA 215			
1/1			K-D HAWK PARKING BRAKE SYSTEM											
ITEM	PART NO.	DESCRIPTION	30-2	40-2				30-2 H	40-2 H					
1	164965	Clip, Spring	2	2				2	2					
2	219100	Switch	1	1				1	1					
3	220645	Spring	2	2				2	2					
4	223481	Bolt	1	1				1	1					
5	225199	Brake Handle Assembly	1	1				1	1					
6	225751	Bellows	1	1				1	1					
7	230605	Cable End	1	1				1	1					
8	233353	Bracket, Cable Adjustment	1	1				1	1					
9	237802	Cable, Brake	1	1				1	1					
10	25713	Bolt	2	2				2	2					
11	25714	Nut	2	2				2	2					
12	29469	Washer	2	2				2	2					
13	42232	Washer	2	2				2	2					
14	42316	Washer	2	2				2	2					
15	44672	Nut	1	1				1	1					
16	514278	Cable Clip	1	1				1	1					
17	55714	Nut	2	2				2	2					
18	58536	Bolt	2	2				2	2					
19	58548	Nut	2	2				2	2					
20	61674	Washer	2	2				2	2					
21	61676	Washer	2	2				2	2					
22	802719	Cable Mount	1	1				1	1					
23	803450	Screw	2	2				2	2					
24	805682	Plate, Switch Mount	1	1				1	1					



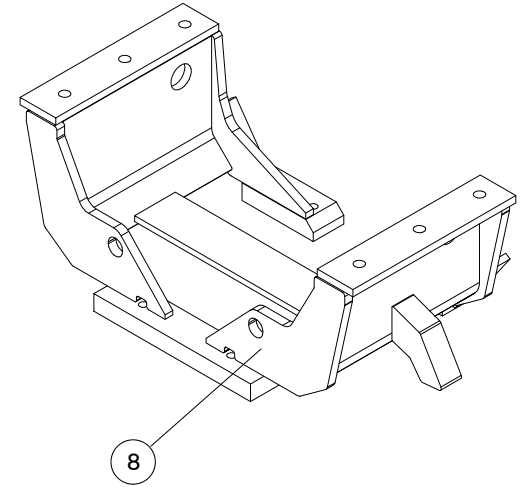
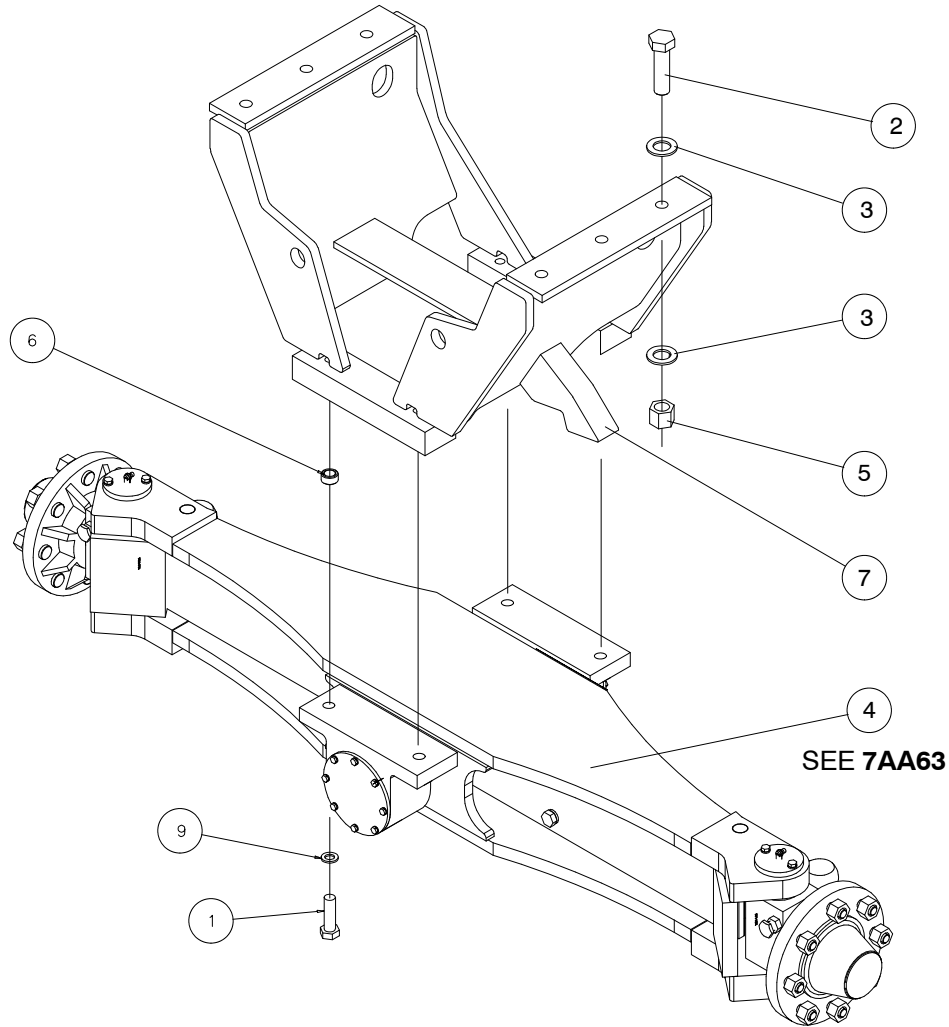
			QUANTITY / MODEL								6 BA 54				
1/1 <i>K-D HAWK</i> PARKING BRAKE LEVER ASSEMBLY			30-4	40-4				30-4 H	40-4 H						
ITEM	PART NO.	DESCRIPTION	30-2	40-2				30-2 H	40-2 H						
1	225199	Handbrake, complete	1	1				1	1						
2	563550	Handle	1	1				1	1						
3	563551	Button	1	1				1	1						
4	49370	Spring	2	2				2	2						
5	49369	Ball	2	2				2	2						
6	563552	Button	1	1				1	1						
7	563553	Cap	1	1				1	1						
8	49330	Spacer	3	3				3	3						
9	563447	Axle	1	1				1	1						
10	563448	Washer	2	2				2	2						
11	563449	Pin	2	2				2	2						



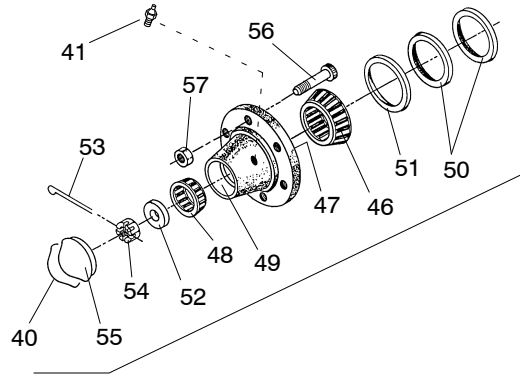
			QUANTITY / MODEL								6 BB 156				
1/2 K-D HAWK BRAKE SYSTEM ASSEMBLY, HYDRAULIC			30-4	40-4				30-4 H	40-4 H						
ITEM	PART NO.	DESCRIPTION	30-2	40-2				30-2 H	40-2 H						
2	78179	Brake master cylinder	1	1				1	1						
3	801864	Bearing block	2	2				2	2						
5	801885	Pin, brake assembly	1	1				1	1						
6	K34806SS	Washer	7	7				7	7						
7	K89778	Screw	2	2				2	2						
8	479218	Clamp	1	1				1	1						
9	81047	Clevis assembly	1	1				1	1						
10	3212	Nut	1	1				1	1						
11	5398	Spring	1	1				1	1						
12	78237	Master cylinder rod	1	1				1	1						
13	K33922	Nut	7	7				7	7						
14	K20386SS	Bolt	8	8				8	8						
15	----	Omitted													
16	K97524	Ring	2	2				2	2						
17	801886	Tab, inching valve	1	1				1	1						
18	----	Omitted													
19	802054	Adapter	1	1				1	1						
20	B3500	Adapter	1	1				1	1						
21	219559	Reservoir, brake fluid	1	1				1	1						
22	802779	Hose	1	1				1	1						
23	240821	Pad, pedal cover	1	1				1	1						
24	802010	Angle	1	1				1	1						
25	61674	Washer	4	4				4	4						
26	58528	Nut	2	2				2	2						
27	54951	Bolt	2	2				2	2						
28	802876	Brake pedal	1	1				1	1						



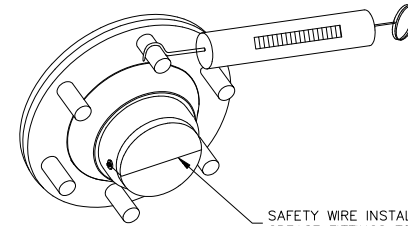
			QUANTITY / MODEL								6 BB 158				
1/1 <i>K-D HAWK</i> ACCELERATOR PEDAL ASSEMBLY			30-4	40-4				30-4 H	40-4 H						
ITEM	PART NO.	DESCRIPTION	30-2	40-2				30-2 H	40-2 H						
1	202144	Screw	4	4				4	4						
2	42316	Washer	4	4				4	4						
3	42325	Washer	4	4				4	4						
4	806748	Cable, accelerator	1	1				1	1						
5	493789	Nut	5	5				5	5						
6	58528	Nut	4	4				4	4						
7	61674	Washer	4	4				4	4						
8	801864	Bearing	2	2				2	2						
9	804222	Pedal	1	1				1	1						
10	806869	Arm	1	1				1	1						
11	K300858	Bolt	1	1				1	1						
12	K44719	Washer	2	2				2	2						
13	46668	Bolt	3	3				3	3						
14	29469	Washer	3	3				3	3						
15	247331	Bracket	1	1				1	1						
16	162229	Nut, lock	3	3				3	3						
17	31051	Bolt	1	1				1	1						
18	204069	Clip, spring	1	1				1	1						
19	80308	Spring	1	1				1	1						
20	804806	Cover	1	1				1	1						
21	205275	Screw	4	4				4	4						
22	25714	Nut	1	1				1	1						



			QUANTITY / MODEL								7 AA 61						
1/1																	
K-D HAWK STEERING AXLE AND HANGER INSTALLATION, 2WD																	
ITEM	PART NO.	DESCRIPTION	30-2	40-2				30-2 H	40-2 H								
1	448930	Bolt	4	4				4	4								
2	426688	Bolt	6	6				6	6								
3	426650	Washer	12	12				12	12								
4	805694	Steer axle	1	1				1	1								
5	R32	Nut	6	6				6	6								
6	246073	Bushing, centering	4	4				4	4								
7	801931	Axle hanger, 81"	1	1				1	1								
8	801930	Axle hanger, 77" cab	1	1				1	1								
9	61683	Washer	4	4				4	4								



HUB ASSEMBLY
ITEM 7
(EXCEPT ITEM 40)

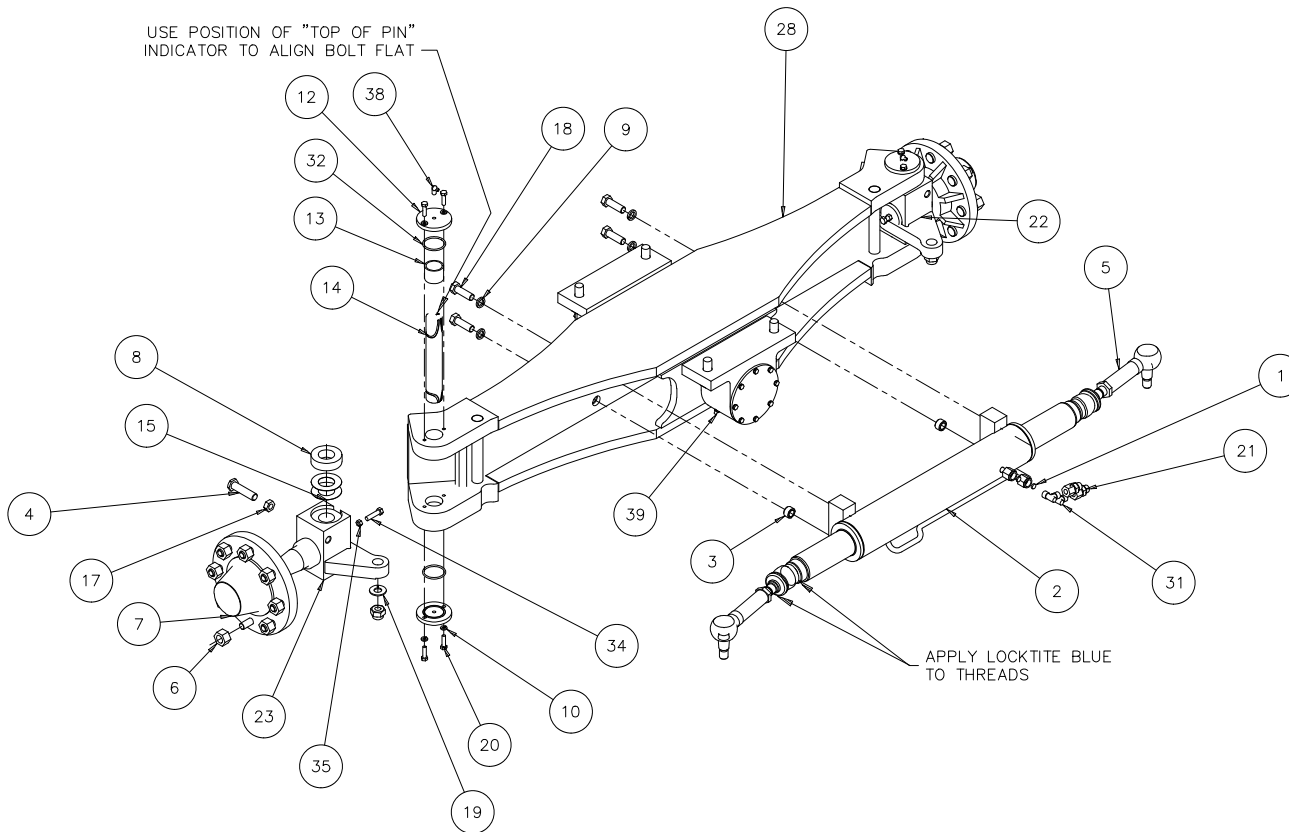


SAFETY WIRE INSTALL UNDER
GREASE FITTINGS TO RETAIN DUST CAP

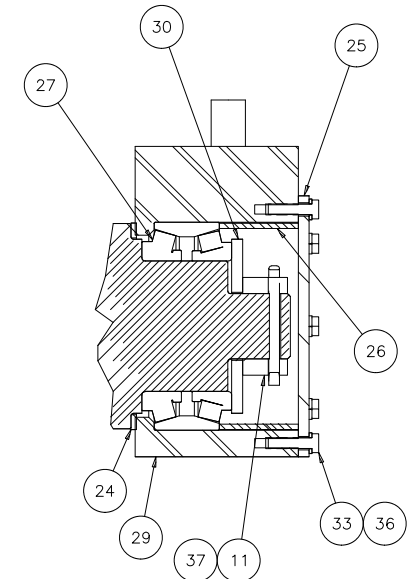
NOTE:

1. PRESET BEARINGS WITH 190 TO 200 FT-LB.
2. FINAL TORQUE AROUND 35-40 FT-LB.
3. FINAL INSPECTION HAS A PULL TEST OF 15-20 LB.

USE POSITION OF "TOP OF PIN"
INDICATOR TO ALIGN BOLT FLAT



APPLY LOCKTITE BLUE
TO THREADS



CROSS SECTION OF
STEER AXLE PIVOT BEARINGS

			QUANTITY / MODEL								7 AA 63			
1/2			K-D HAWK STEER AXLE, 2WD											
ITEM	PART NO.	DESCRIPTION	30-2	40-2				30-2 H	40-2 H					
	805691	Steer axle assembly, complete	1	1				1	1					
1	169437	Joint, Seal	2	2				2	2					
2	200316	Cylinder Assembly, Steering	1	1				1	1					
3	200317	Centering Bushing	2	2				2	2					
4	203524	Stop, Bolt	2	2				2	2					
5	229433	Rod Asy. Coupling	2	2				2	2					
6	421116	Nut, Steer Lug	16	16				16	16					
7	421318	Hub Assembly	2	2				2	2					
8	421520	Bearing, Thrust	2	2				2	2					
9	42322	Washer, Lock M-16	4	4				4	4					
10	42325	Washer, Lock M-8	8	8				8	8					
11	425137	Nut	2	2				2	2					
12	425674	Cover, King Pin	4	4				4	4					
13	426041	Bushing	4	4				4	4					
14	426042	Pin, King	2	2				2	2					
15	426131	Shim, 0.0149 in.	4	4				4	4					
16	448930	Bolt	4	4				4	4					
17	58574	Nut	2	2				2	2					
18	61308	Bolt	4	4				4	4					
19	61683	Washer, Flat M20	6	8				8	8					
20	63754	Bolt	8	8				8	8					
21	803285	Adapter, Swivel	2	2				2	2					
22	803920	Spindle Arm, L/H	1	1				1	1					
23	803922	Spindle Arm, R/H	1	1				1	1					
24	805688	Washer, Felt	2	2				2	2					
25	805689	Plate, Cover	2	2				2	2					
26	805690	Ring	2	2				2	2					
27	805693	Bearing	2	2				2	2					
28	805694	Steer Axle Assembly	1	1				1	1					

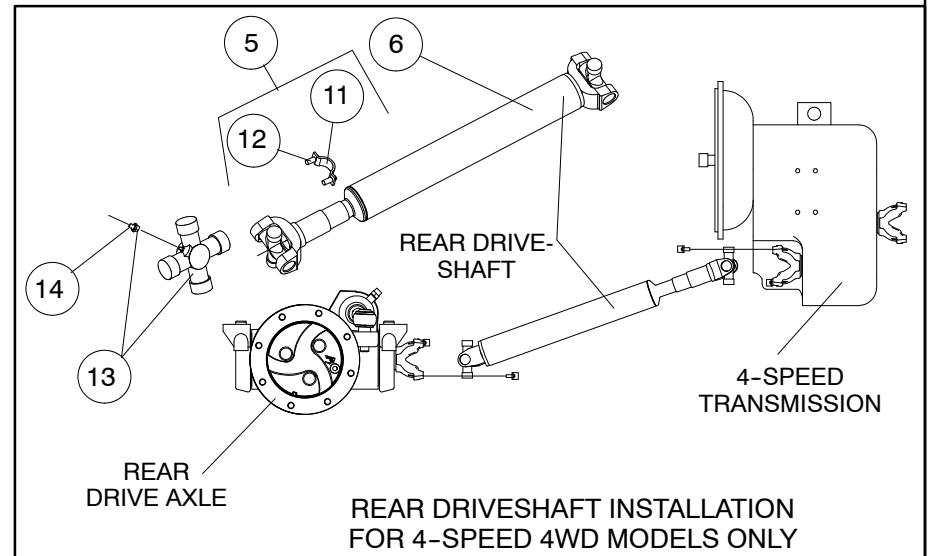
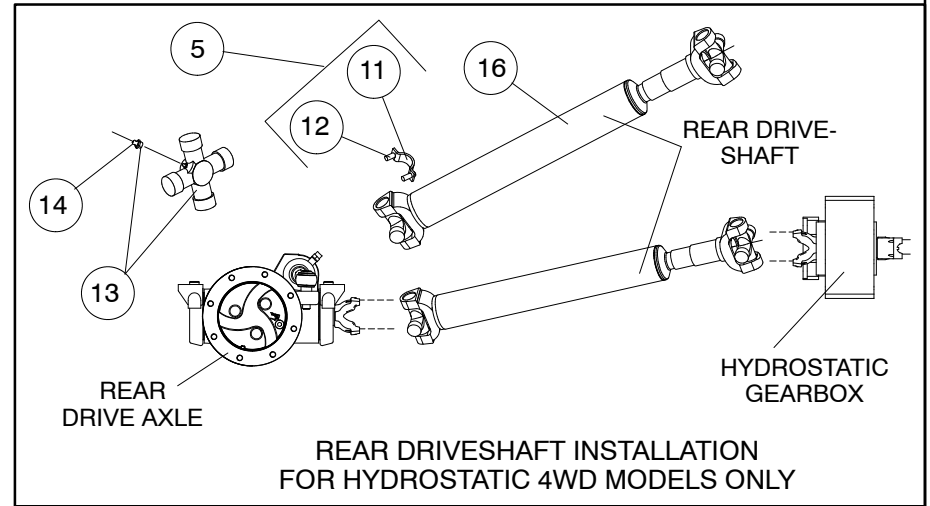
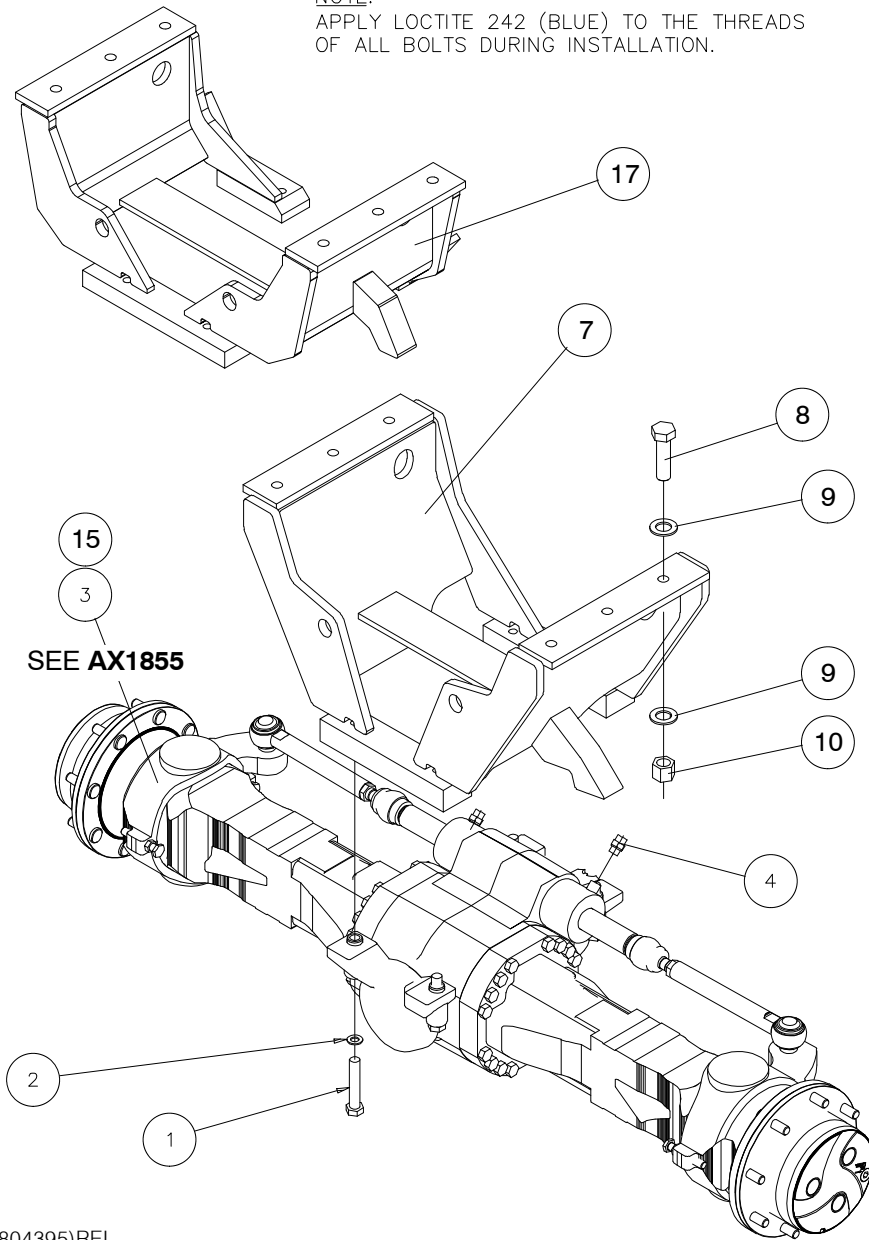
7 AB 14

K-D HAWK STEERING AXLE AND DRIVESHAFT INSTALLATION, 4WD

30-4
40-4

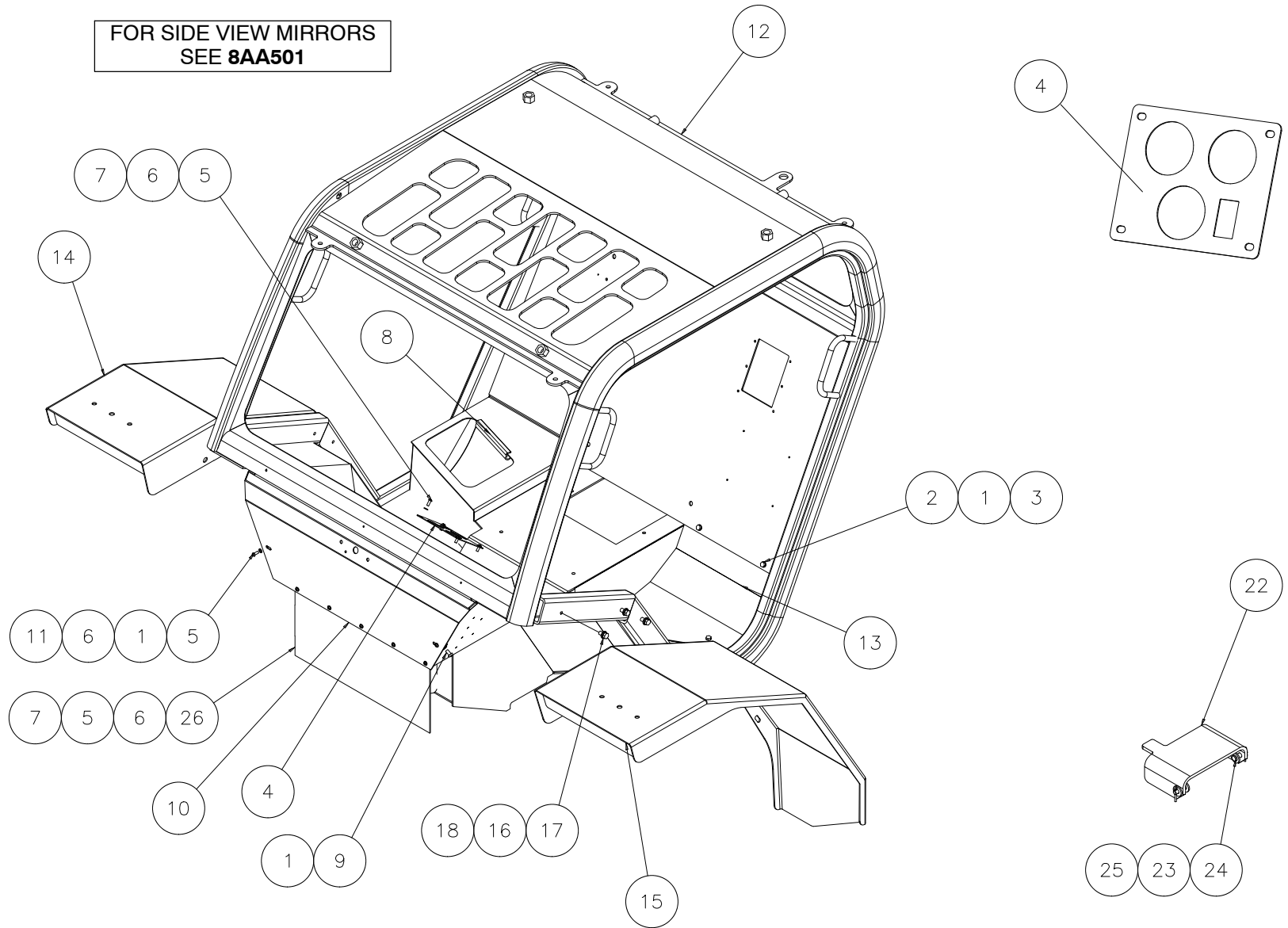
30-4 H
40-4 H

NOTE:
APPLY LOCTITE 242 (BLUE)
TO THE THREADS
OF ALL BOLTS DURING INSTALLATION.



			QUANTITY / MODEL								7 AB 14				
1/1 K-D HAWK STEERING AXLE AND DRIVESHAFT INSTALLATION, 4WD			30-4	40-4				30-4 H	40-4 H						
ITEM	PART NO.	DESCRIPTION													
1	58633	Bolt	4	4				4	4						
2	61683	Washer, flat	4	4				4	4						
3	247289	Steer axle assembly (4-SPEED MODELS ONLY)	1	1											
4	803282	Connector	2	2				2	2						
5	425330	Strap and bolt kit	2	2				2	2						
6	802048	Drive shaft, rear (4-SPEED MODELS ONLY)	1	1											
7	801931	Axle hanger, (100 & 81 IN. CAB ONLY)	1	1				1	1						
8	426688	Bolt	6	6				6	6						
9	426650	Washer, flat	12	12				12	12						
10	R32	Nut	6	6				6	6						
11	109751	Strap	A/R	A/R				A/R	A/R						
12	109752	Bolt	A/R	A/R				A/R	A/R						
13	424647	U-joint	A/R	A/R				A/R	A/R						
14	162809	Zerk, grease fitting	A/R	A/R				A/R	A/R						
15	804064	Steer axle assembly (HYDROSTATIC MODELS ONLY)						1	1						
16	802049	Drive shaft, rear (HYDROSTATIC MODELS ONLY)						1	1						
17	801930	Axle hanger, (77 IN. CAB ONLY)	1	1				1	1						

FOR SIDE VIEW MIRRORS
SEE 8AA501



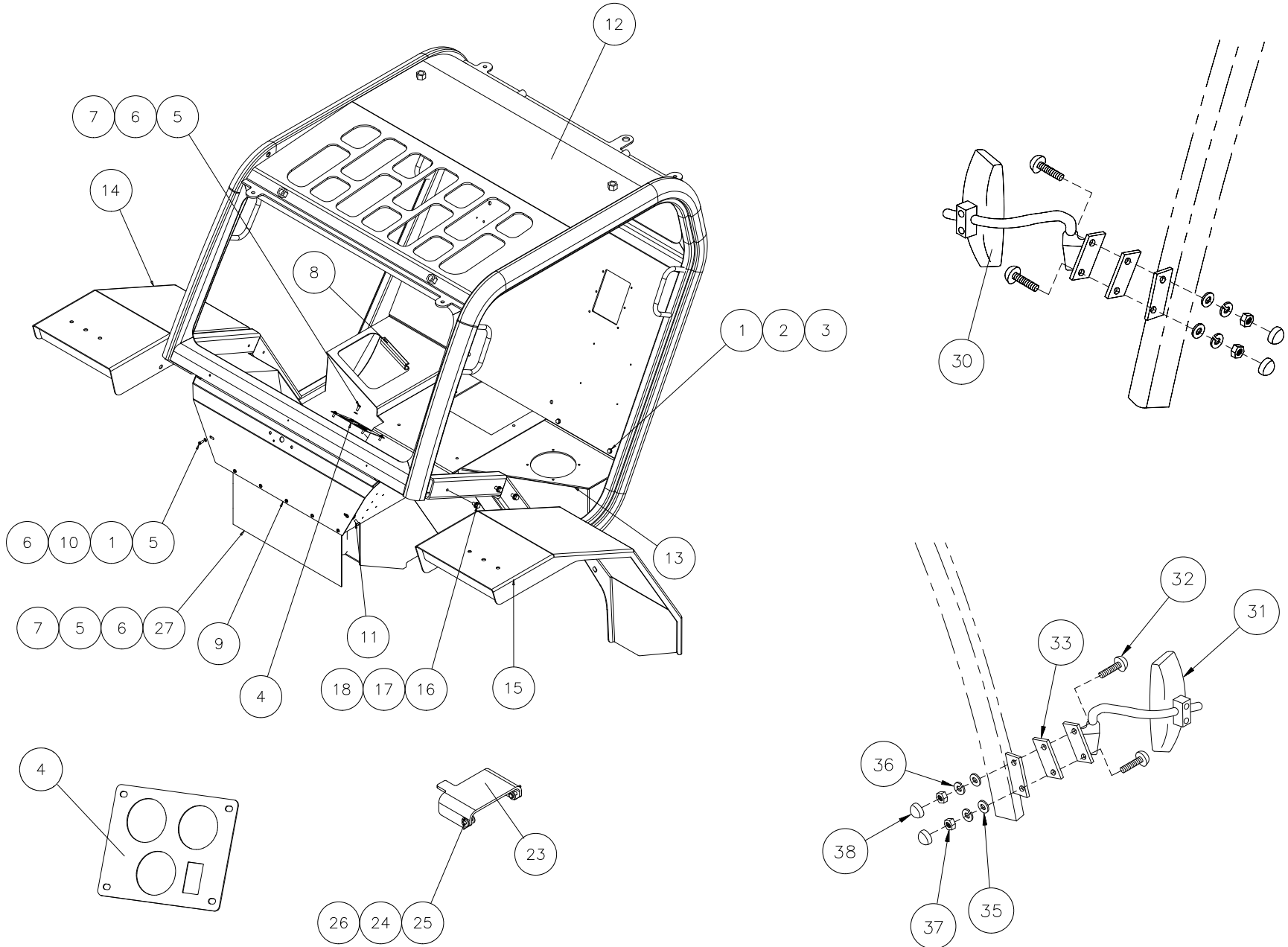
			QUANTITY / MODEL										8 AA 500				
			30-4	40-4													
1/1 K-D HAWK CAB ASSEMBLY AND FENDERS, 4-SPEED TRANS.																	
ITEM	PART NO.	DESCRIPTION	30-2	40-2													
1	61674	Washer	10	10													
2	57446	Bolt	4	4													
3	58528	Nut	4	4													
4	805687	Plate, gauges	1	1													
5	189172	Screw, M6	11	11													
6	29469	Washer	16	16													
7	25714	Nut, M6	9	9													
8	803393	Seal	1	1													
9	202731	Screw, M8	2	2													
10	803663	Cover, Front	1	1													
11	802771	Angle	2	2													
12	804627	Cab Assembly	1	1													
13	804274	Cover Assembly Hydrastatic	1	1													
14	803458	Fender Assembly, Front RH	1	1													
15	803461	Fender Assembly, Front LH	1	1													
16	29437	Washer, M10	8	8													
17	42232	Washer, M10	8	8													
18	63727	Bolt, M10	8	8													
22	805685	Cover, Diff Lock	1	1													
23	K44719	Washer	4	4													
24	K76176	Pin	2	2													
25	K72016	Pin	2	2													
26	806094	Skirt, Rubber	1	1													

8 AA 501

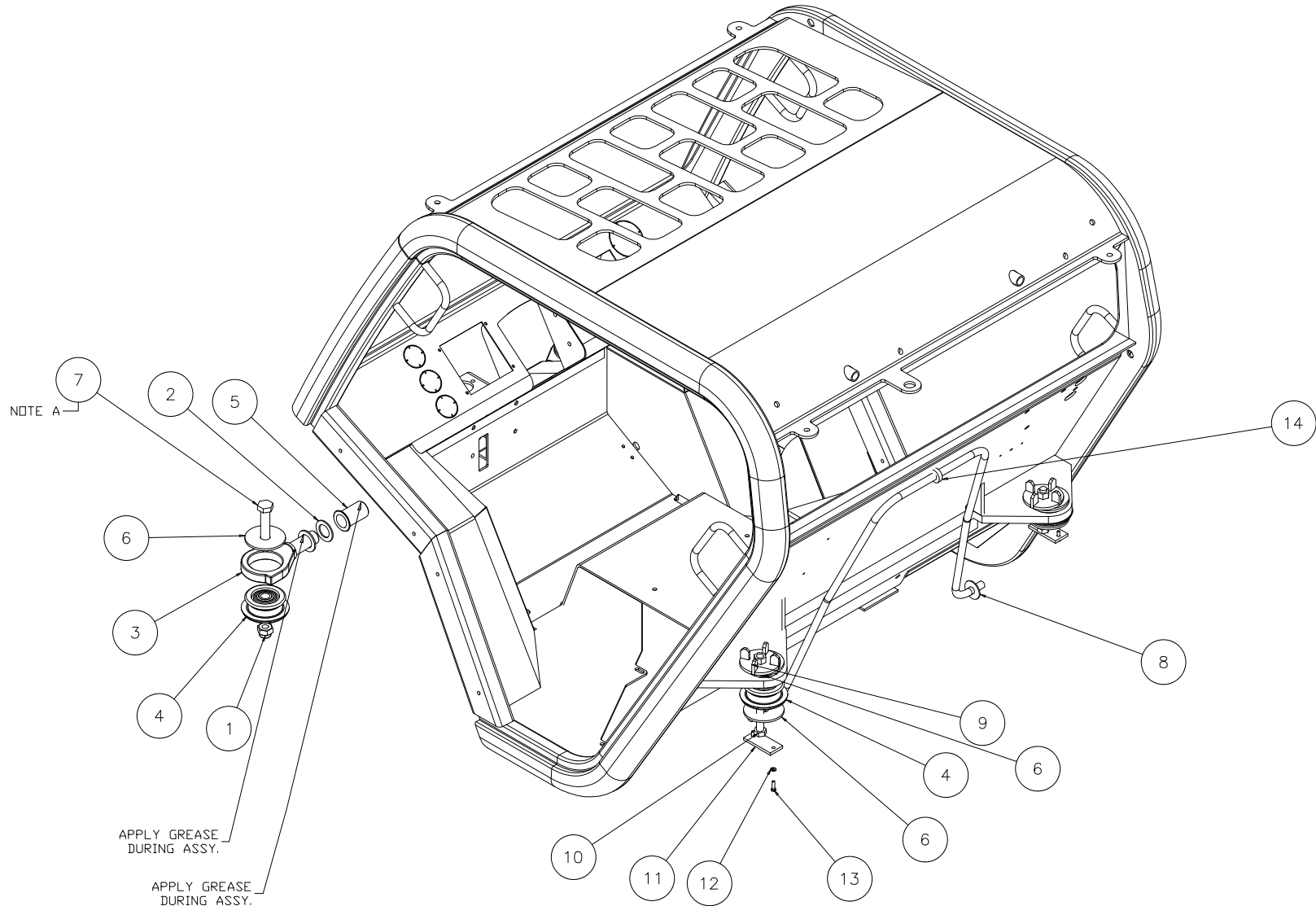
K-D HAWK CAB ASSEMBLY AND FENDERS, HYDROSTATIC
(SIDE VIEW MIRRORS FOR ALL MODELS)

30-2 H
40-2 H

30-4 H
40-4 H



			QUANTITY / MODEL										8 AA 501							
1/2 K-D HAWK CAB ASSEMBLY AND FENDERS, HYDROSTATIC																				
ITEM	PART NO.	DESCRIPTION																		
1	61674	Washer, M8																		
2	57446	Bolt, M8																		
3	58528	Nut																		
4	805687	Plate, Gauges																		
5	189172	Screw, M6																		
6	29469	Washer, M6																		
7	25714	Nut, M6																		
8	803393	Seal																		
9	803663	Cover, Front																		
10	802771	Angle																		
11	202731	Screw, M8																		
12	804627	Cab Assembly																		
13	804272	Cover Assembly, Torque Cow.																		
14	803458	Fender Assembly, Front RH																		
15	803461	Fender Assembly, Front LH																		
16	63727	Bolt, M10																		
17	29437	Washer, M10																		
18	42232	Washer, M10																		
23	805685	Cover, Diff Lock																		
24	K44719	Washer																		
25	K76176	Pin, Clevis																		
26	K72016	Pin																		
27	806094	Skirt, Rubber																		
30	205809	Mirror, RH	1	All Models																
31	551451	Mirror, LH	1	All Models																
32	29441	Screw	2	All Models																
33		Spacer, included with Mirror																		
35	29469	Washer, Flat M6	2	All Models																



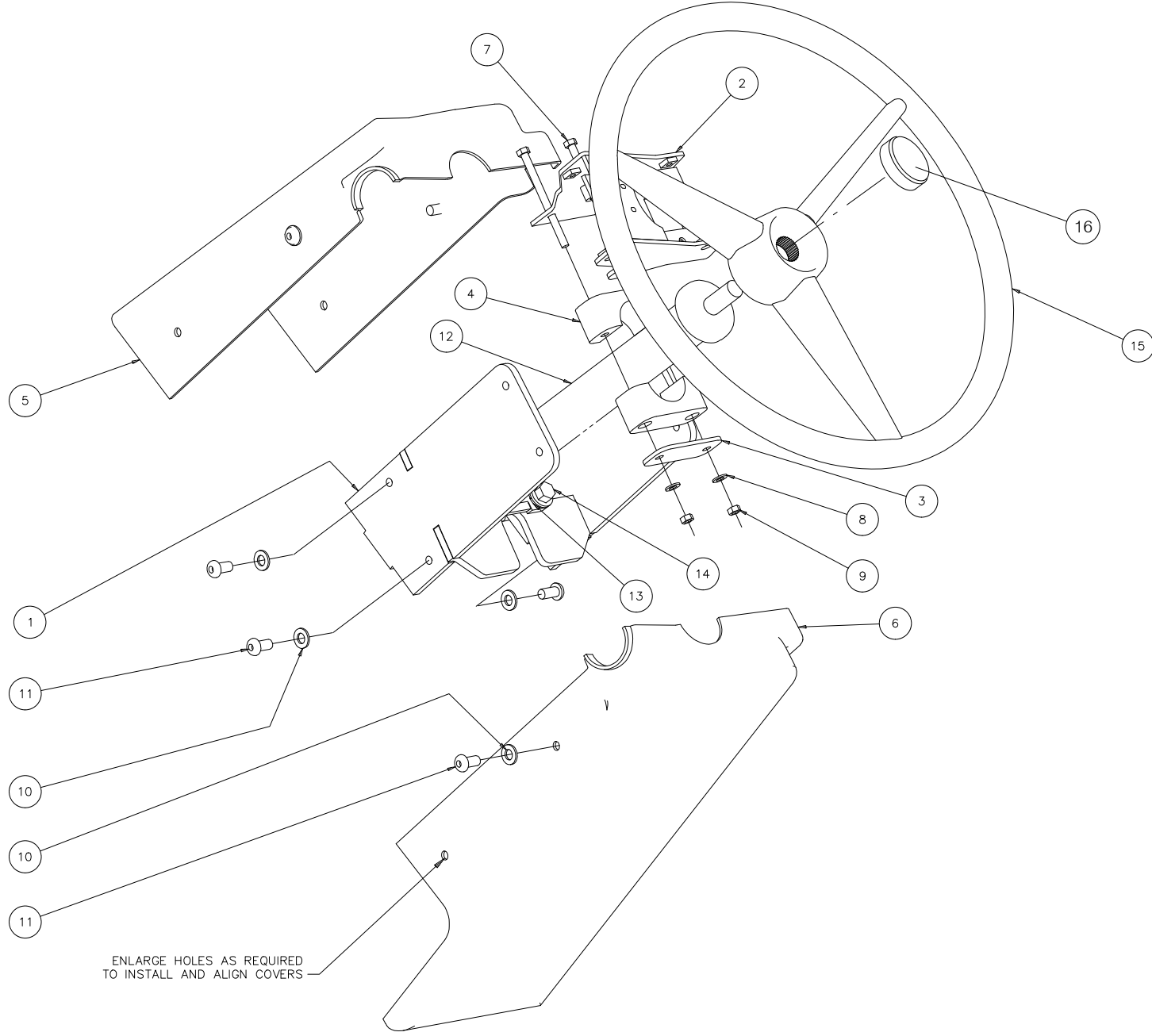
NOTE A

APPLY GREASE
DURING ASSY.

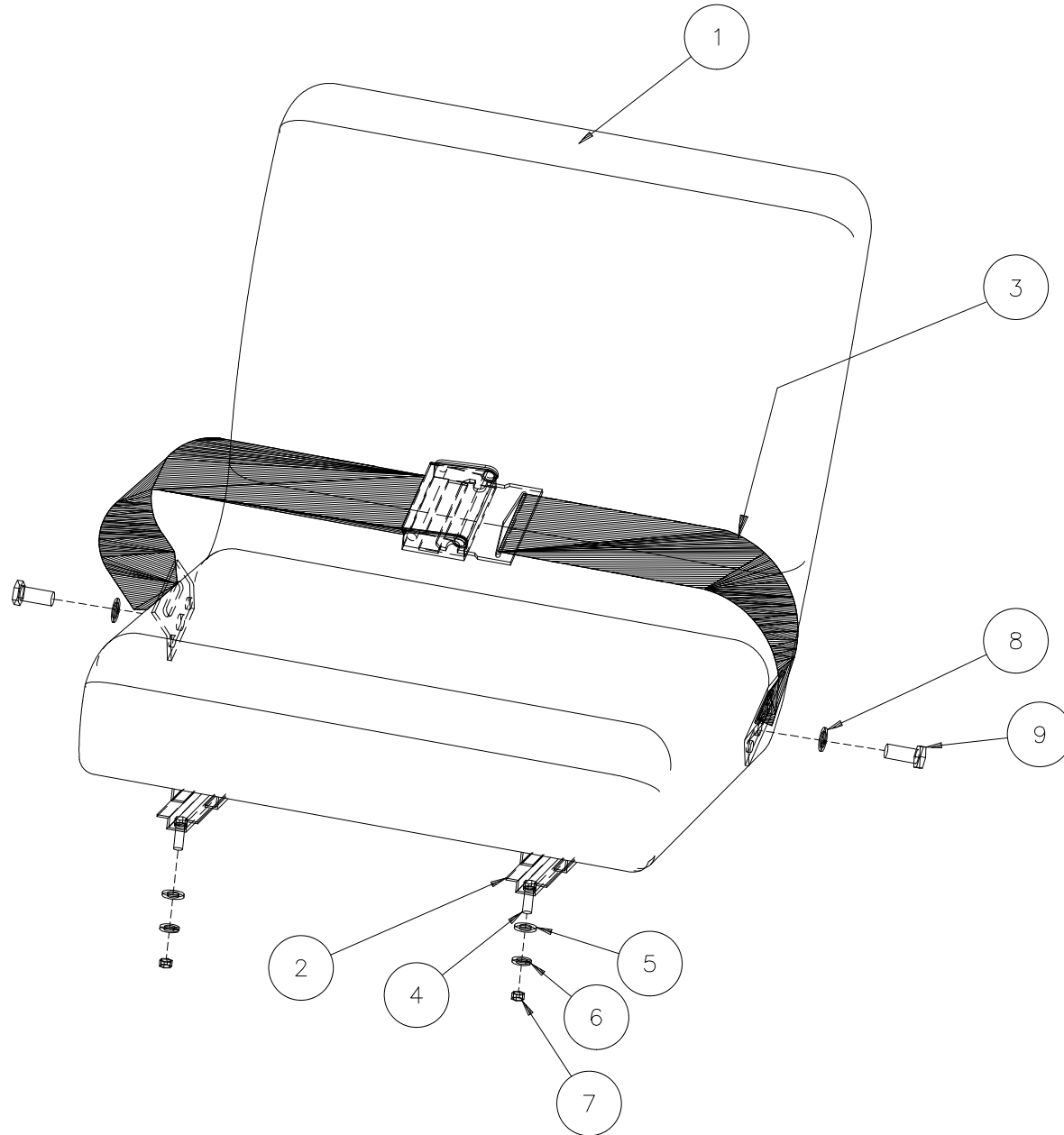
APPLY GREASE
DURING ASSY.

NOTE A: TORQUE TO 265 FT LB ± 26 FT LB
4 PLACES.

			QUANTITY / MODEL								8 AA 502				
1/1 <i>K-D HAWK</i> CAB MOUNTING ASSEMBLY			30-4	40-4				30-4 H	40-4 H						
ITEM	PART NO.	DESCRIPTION	30-2	40-2				30-2 H	40-2 H						
1	185054	Nut	4	4				4	4						
2	202947	Washer	4	4				4	4						
3	207783	Bracket, cab mounting	2	2				2	2						
4	209113	Rubber mount	4	4				4	4						
5	210005	Bushing	2	2				2	2						
6	210006	Washer, flat	6	6				6	6						
7	58633	Bolt	4	4				4	4						
8	806993	Tilt stand	1	1				1	1						
9	803723	Wing nut	2	2				2	2						
10	K45840	Bolt	2	2				2	2						
11	804358	Plate, cover	2	2				2	2						
12	42316	Washer, lock	4	4				4	4						
13	46668	Bolt	4	4				4	4						
14	82520	Grommet	1	1				1	1						



			QUANTITY / MODEL								8 AA 475				
1/1 <i>K-D HAWK</i> STEERING COLUMN ASSEMBLY			30-4	40-4				30-4 H	40-4 H						
ITEM	PART NO.	DESCRIPTION	30-2	40-2				30-2 H	40-2 H						
1	802025	Steering mount assembly	1	1				1	1						
2	203115	Bracket, steering column	1	1				1	1						
3	168870	Plate, cover	1	1				1	1						
4	174321	Clamp, hose half	2	2				2	2						
5	202953	Cover, column front	1	1				1	1						
6	202954	Cover, column rear	1	1				1	1						
7	165919	Bolt	2	2				2	2						
8	29469	Washer, flat	2	2				2	2						
9	162229	Nut	2	2				2	2						
10	61674	Washer, flat	8	8				8	8						
11	202731	Screw	8	8				8	8						
12	30327	Column, steering	1	1				1	1						
13	42232	Washer, lock	4	4				4	4						
14	63544	Bolt	4	4				4	4						
15	191613	Steering wheel	1	1				1	1						
16	195069	Steering wheel cap	1	1				1	1						



			QUANTITY / MODEL								8 AA 480			
			30-4	40-4				30-4 H	40-4 H					
1/1 <i>K-D HAWK</i> SEAT ASSEMBLY, LOW BACK														
ITEM	PART NO.	DESCRIPTION	30-2	40-2				30-2 H	40-2 H					
1	804673	Seat, 17.5 in. height	1	1				1	1					
2	802398	Rail kit, less hardware	1	1				1	1					
3	495931	Seat belt, 3 in.	1	1				1	1					
4	K20346SS	Bolt	4	4				4	4					
5	K44722	Washer	4	4				4	4					
6	K34806	Washer, lock	4	4				4	4					
7	K55961	Nut, lock	4	4				4	4					
8	K34808	Washer, lock	2	2				2	2					
9	K20391	Bolt	2	2				2	2					

29.00

8 AA 481

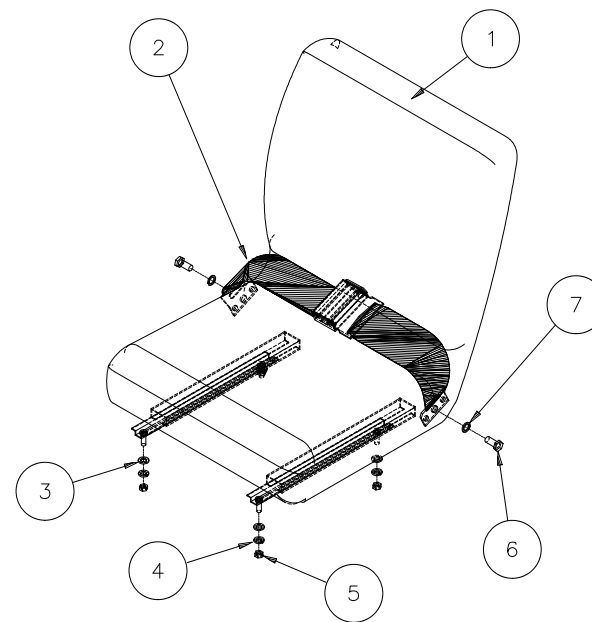
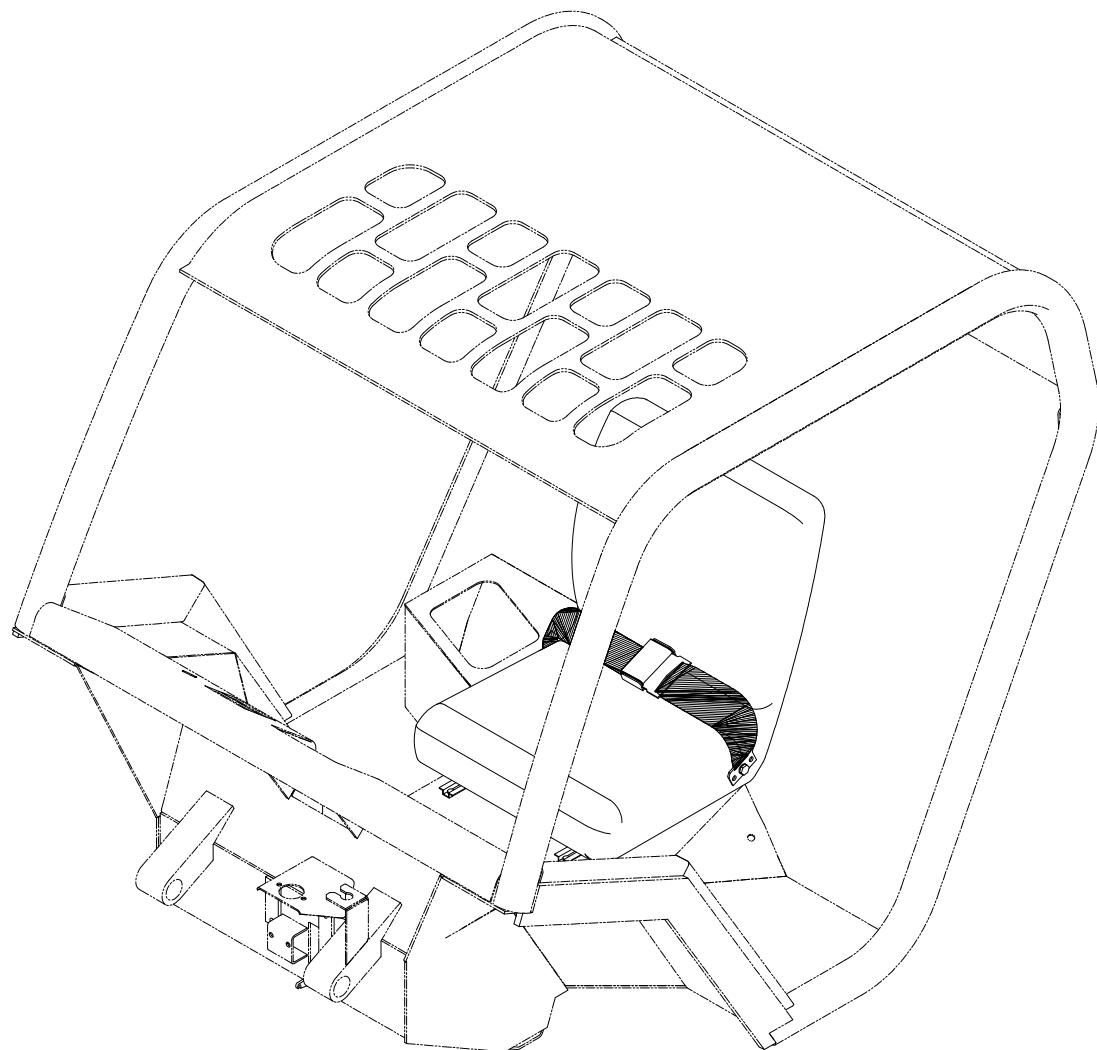
K-D HAWK SEAT ASSEMBLY, HIGH BACK

30-2
40-2

30-4
40-4

30-2 H
40-2 H

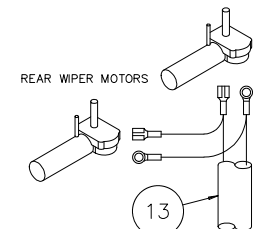
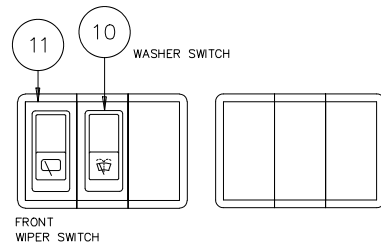
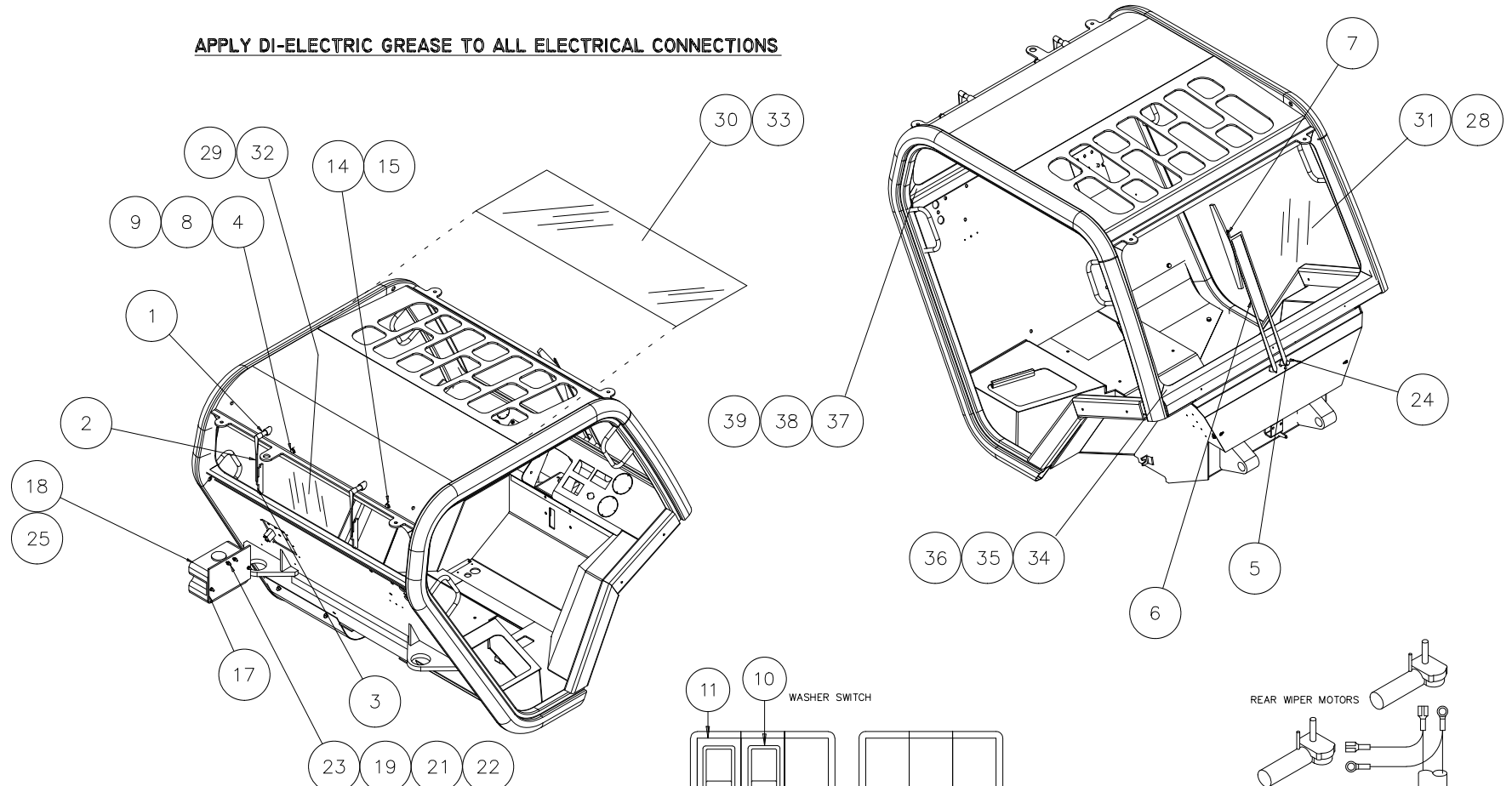
30-4 H
40-4 H



			QUANTITY / MODEL								8 AA 481				
1/1 <i>K-D HAWK</i> SEAT ASSEMBLY, HIGH BACK			30-4	40-4				30-4 H	40-4 H						
ITEM	PART NO.	DESCRIPTION	30-2	40-2				30-2 H	40-2 H						
1	807543	Seat, hight back, 21.75 height (w/ rails)	1	1				1	1						
2	495931	Seat belt, 2 in.	1	1				1	1						
3	K44877	Washer, flat	4	4				4	4						
4	K34791	Washer, lock	4	4				4	4						
5	K33770	Nut	4	4				4	4						
6	K20391	Bolt	2	2				2	2						
7	K34808	Washer, lock	2	2				2	2						

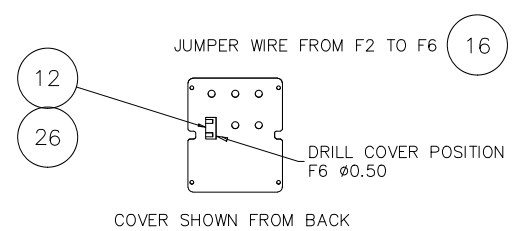
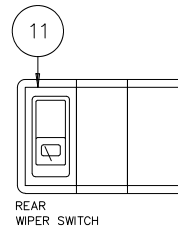
30.00

APPLY DI-ELECTRIC GREASE TO ALL ELECTRICAL CONNECTIONS



NOTE: SET REAR MOTORS TO 85°/65°

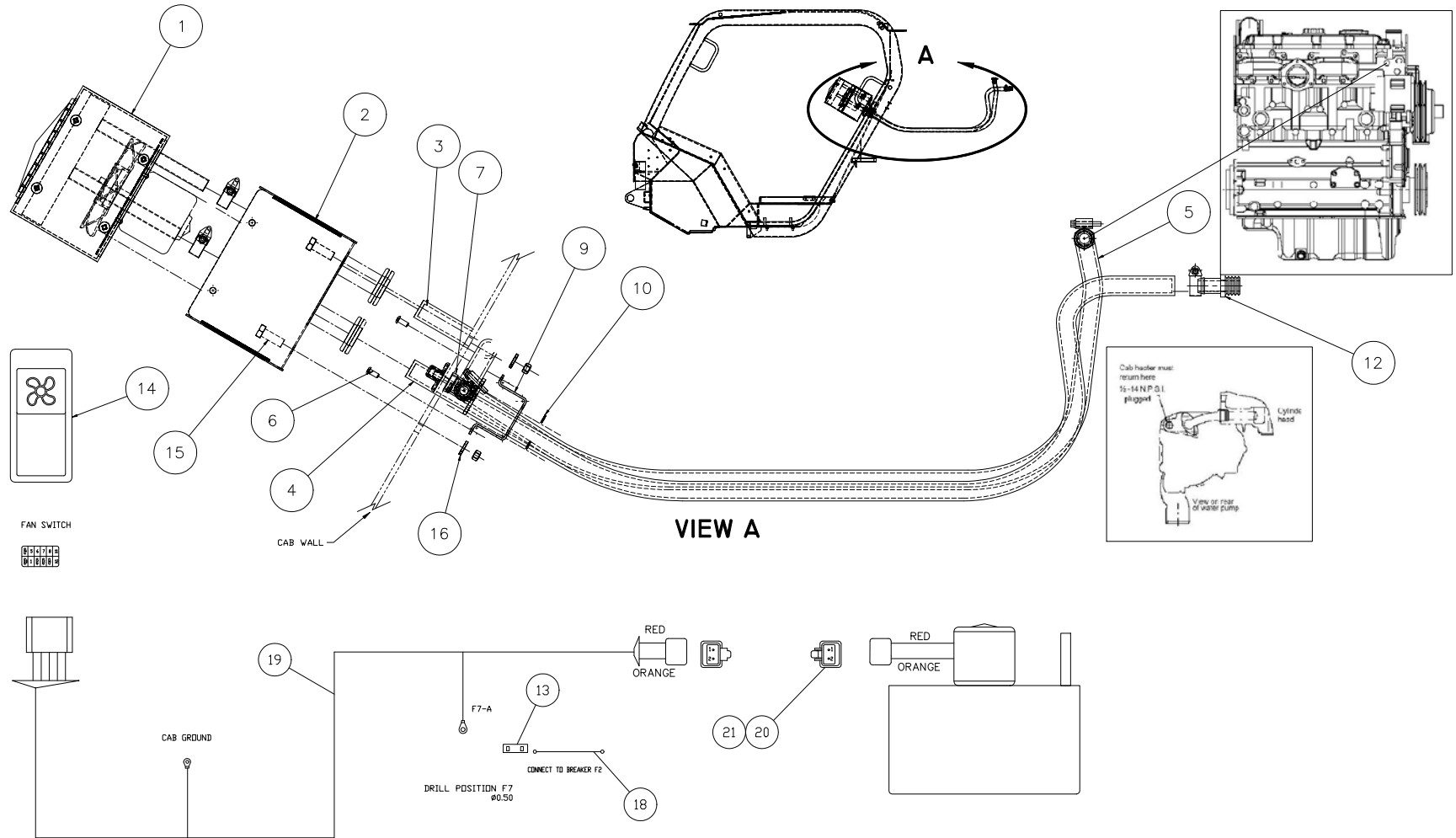
FRONT WIPER MOTOR CONNECTS TO PLUG ON WIPER HARNESS



			QUANTITY / MODEL								8 AA 503			
1/2			K-D HAWK WINDSHIELD AND WIPER KIT											
ITEM	PART NO.	DESCRIPTION	30-2	40-2				30-4 H	40-4 H					
1	491718	Motor, Wiper	2	2				2	2					
2	803208	Wiper Arm	2	2				2	2					
3	803209	Wiper Blade	2	2				2	2					
4	58531	Bolt, M8	2	2				2	2					
5	803168	Motor, Wiper	1	1				1	1					
6	803169	Wiper Arm	1	1				1	1					
7	803202	Wiper Blade	1	1				1	1					
8	61674	Washer, M8	4	4				4	4					
9	58528	Nut	2	2				2	2					
10	807170	Switch	1	1				1	1					
11	805904	Switch	2	2				2	2					
12	805887	Circuit Breaker 20 A	1	1				1	1					
13	805902	Harness, Wiper	1	1				1	1					
14	804024	Spacer	2	2				2	2					
15	804025	Spacer	2	2				2	2					
16	805905	Wire Assembly, Jumper	1	1				1	1					
17	805937	Bracket	1	1				1	1					
18	805936	Washer Bottle	1	1				1	1					
19	29469	Washer, M6	4	4				4	4					
21	42316	Washer, M6	4	4				4	4					
22	25714	Nut, M6	4	4				4	4					
23	168343	Bolt, M6	4	4				4	4					
24	805938	Bulkhead Fitting	1	1				1	1					
25	805939	Hose	1	1				1	1					
26	806341	Boot, Breaker	1	1				1	1					

			QUANTITY / MODEL								8 AA 503				
			30-4	40-4				30-4 H	40-4 H						
2/2			K-D HAWK WINDSHIELD AND WIPER KIT												
ITEM	PART NO.	DESCRIPTION	30-2	40-2				30-2 H	40-2 H						
	803138	Windshield kit (Items 28 thru 39)	1	1				1	1						
28	803144	Glass plate, front	1	1				1	1						
29	803142	Glass plate, rear	1	1				1	1						
30	803140	Glass plate, top	1	1				1	1						
31	Z4056	Gasket, front, 117 in.	1	1				1	1						
32	Z4056	Gasket, rear, 89 in.	1	1				1	1						
33	Z4053	Trim-Lock, 115 in.	1	1				1	1						
34	803622	Frame, window front upper	1	1				1	1						
35	803623	Frame, window front side	2	2				2	2						
36	803621	Frame, window front lower	1	1				1	1						
37	803625	Frame, window rear upper	1	1				1	1						
38	803626	Frame, window rear side	2	2				2	2						
39	803624	Frame, window rear lower	1	1				1	1						

APPLY DI-ELECTRIC GREASE TO ALL ELECTRICAL CONNECTIONS



NOTE:

1. FAN SWITCH IS LOCATED ON DASH.
2. APPLY TEFLON TAPE TO ALL PIPE THREADS

			QUANTITY / MODEL								8 AD 202			
1/1			K-D HAWK HEATER, FIREWALL											
ITEM	PART NO.	DESCRIPTION	30-2	40-2				30-2 H	40-2 H					
1	B3354 -7	Heater Assembly	1	1				1	1					
2	493370	Heater Mount	1	1				1	1					
3	802822	Heater Hose, 30 in.	1	1				1	1					
4	802821	Heater Hose, 93 in.	1	1				1	1					
5	802820	Heater Hose, 117 in.	1	1				1	1					
6	79533	Screw	2	2				2	2					
7	198060	Water Control Valve	1	1				1	1					
8	4240	Bolt	2	2				2	2					
9	196821	Bracket	1	1				1	1					
10	28959	Washer	2	2				2	2					
11	54232	Nut	2	2				2	2					
12	198059	Connector	2	2				2	2					
13	805973	Breaker, 15 Amp	1	1				1	1					
14	805974	Switch , Fan	1	1				1	1					
15	K20388SS	Bolt	3	3				3	3					
16	K34807SS	Washer	3	3				3	3					
17	K33799SS	Nut	3	3				3	3					
18	805905	Jumper Wire	1	1				1	1					
19	805972	Harness Assembly, Heater	1	1				1	1					
20	805911	Plub	1	1				1	1					
21	805912	Socket	2	2				2	2					
22	806341	Boot, Breaker	1	1				1	1					

9 AA 322

K-D HAWK

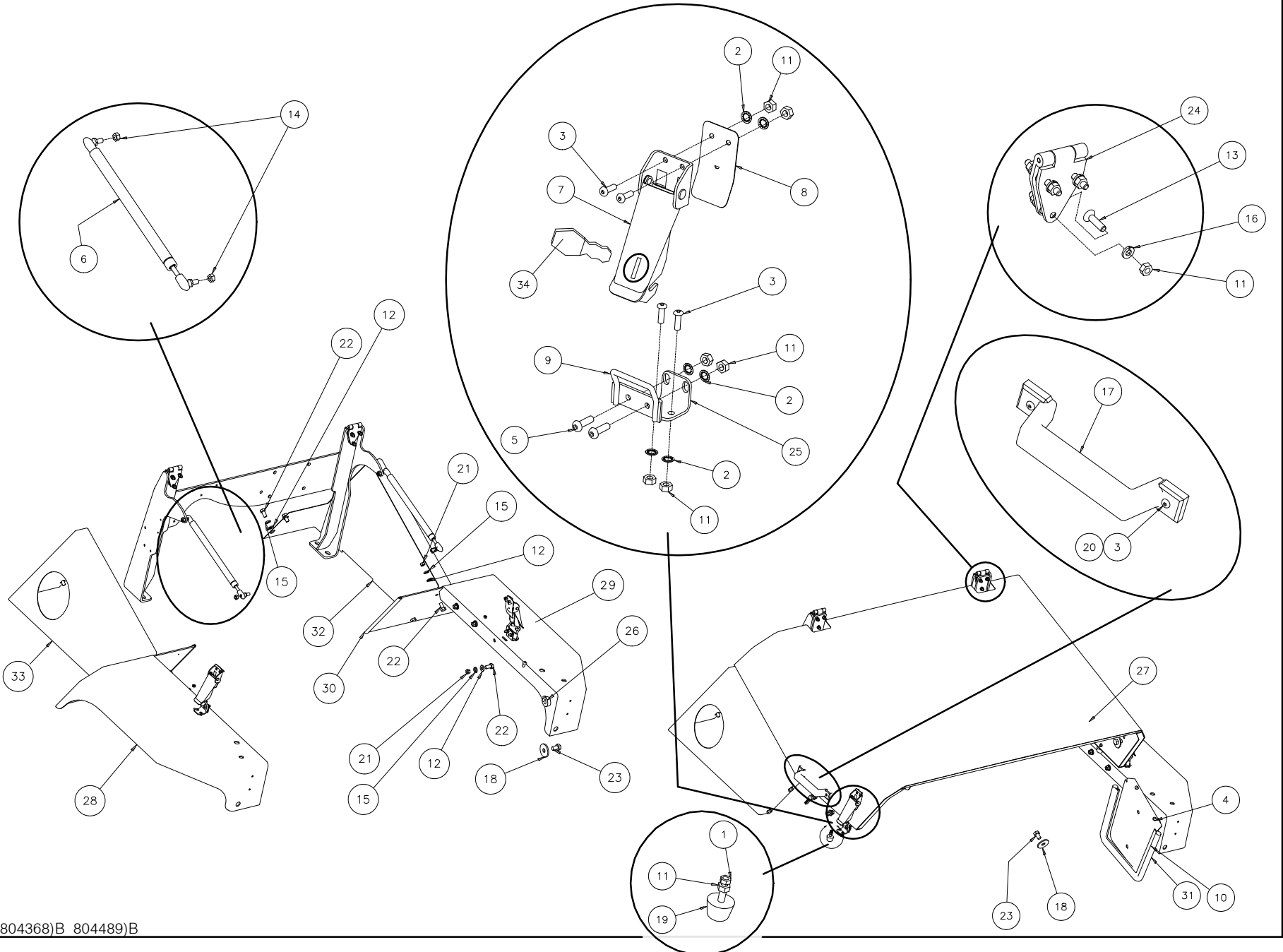
SIDE PANELS, REAR FENDERS, AND HOOD LIFT CYLINDER

30-2
40-2

30-4
40-4

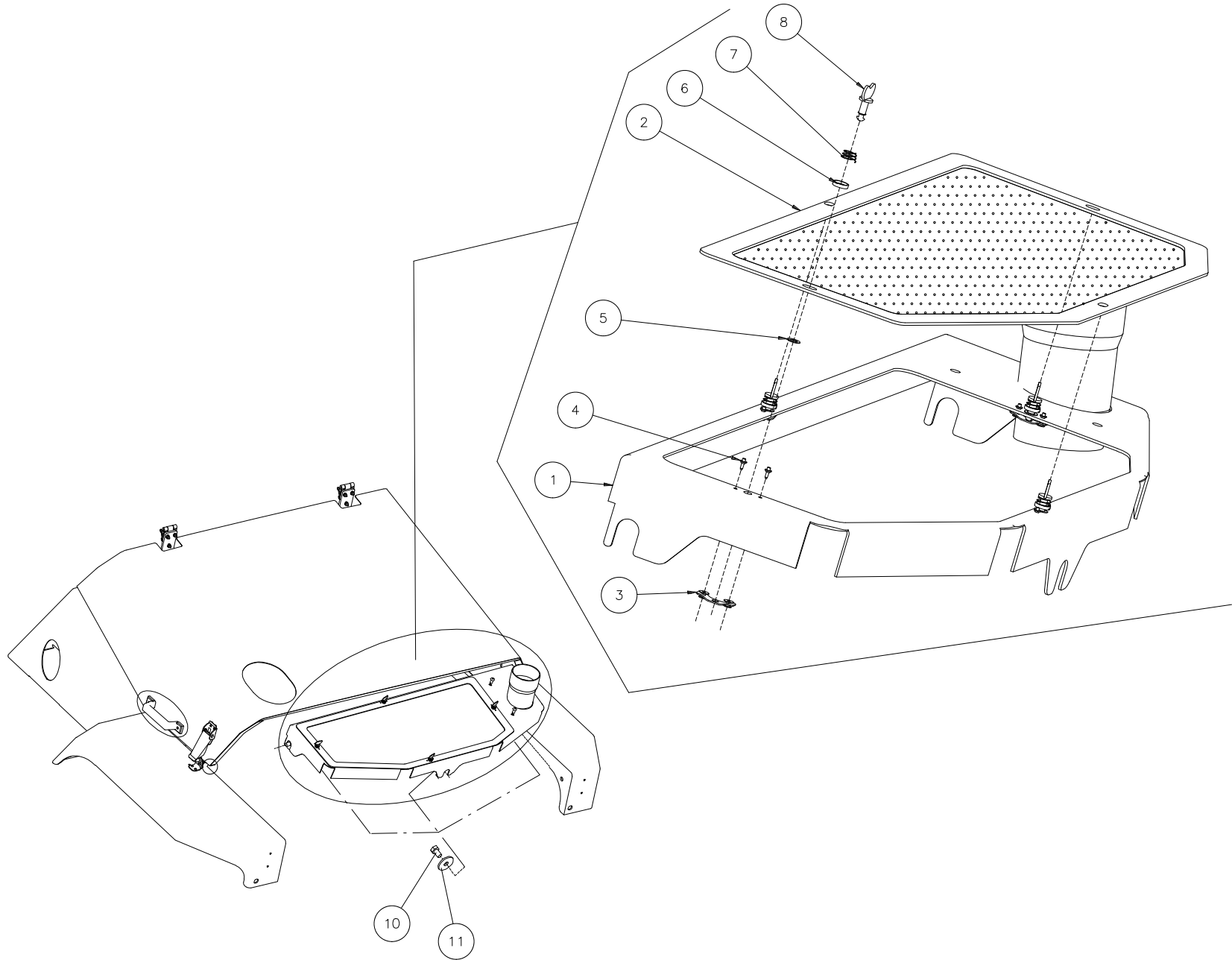
30-2 H
40-2 H

30-4 H
40-4 H

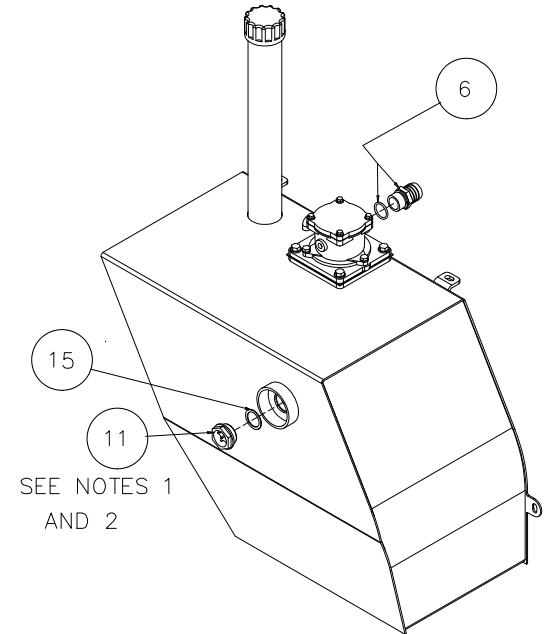
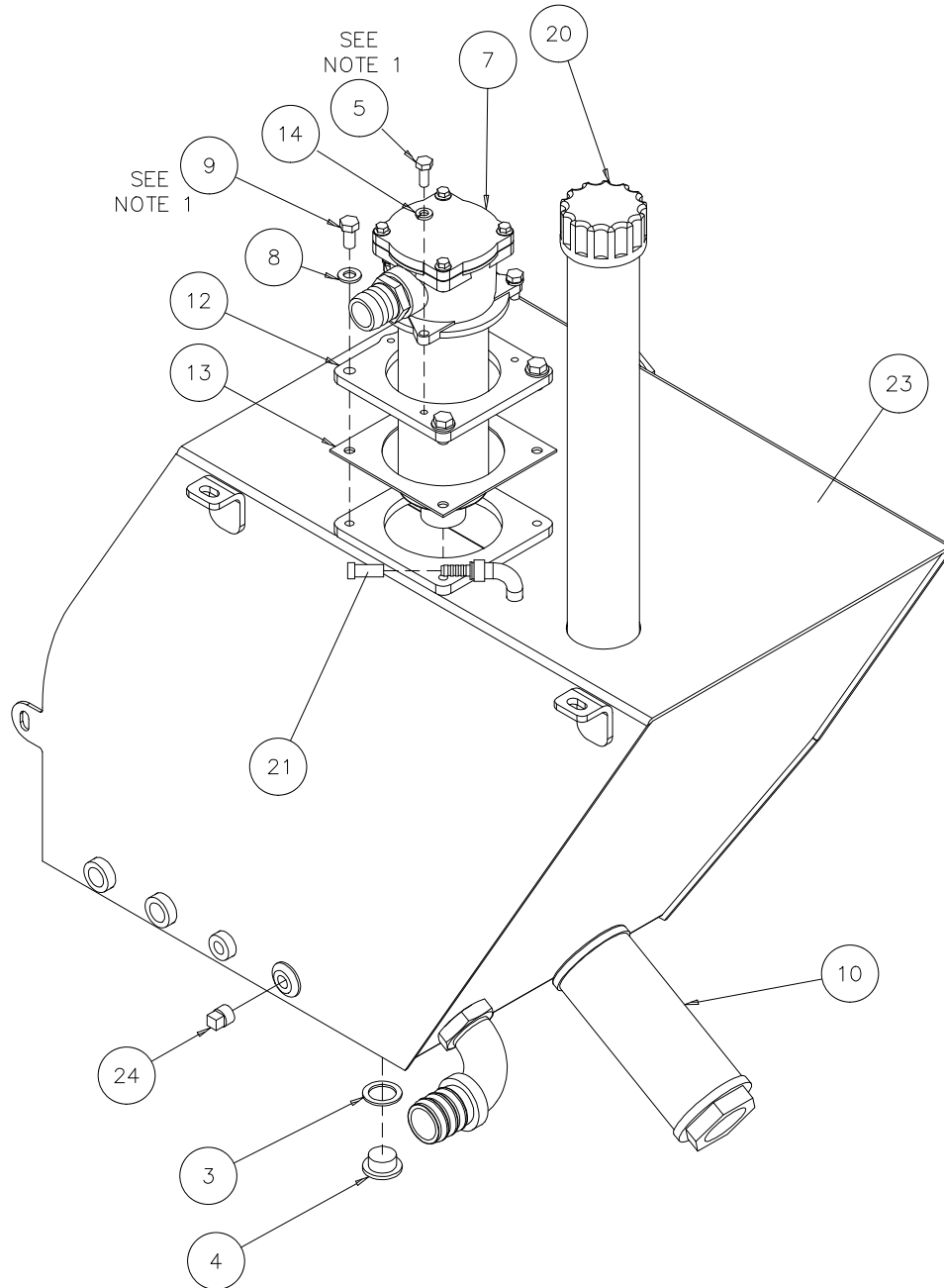


			QUANTITY / MODEL								9 AA 322			
1/2 K-D HAWK			30-4	40-4					30-4 H	40-4 H				
SIDE PANELS, REAR FENDERS, AND HOOD LIFT CYLINDER														
ITEM	PART NO.	DESCRIPTION	30-2	40-2					30-2 H	40-2 H				
1	162229	Nut, lock	2	2					2	2				
2	174132	Washer, lock	12	12					12	12				
3	184036	Screw	8	8					8	8				
4	202731	Screw	2	2					2	2				
5	205275	Screw	4	4					4	4				
6	209115	Air spring	2	2					2	2				
7	223902	Latch, locking, w/ keys	2	2					2	2				
8	223903	Spring	2	2					2	2				
9	223904	Hook, latch	2	2					2	2				
10	224345	Air baffle	1	1					1	1				
11	25714	Nut	8	8					8	8				
12	29437	Washer, flat	6	6					6	6				
13	29441	Screw	6	6					6	6				
14	3212	Nut	2	2					2	2				
15	42232	Washer, lock	6	6					6	6				
16	42316	Washer, lock	6	6					6	6				
17	424186	Handle	2	2					2	2				
18	44026	Washer, special	2	2					2	2				
19	53501	Block, silent	2	2					2	2				
20	54232	Nut	4	4					4	4				
21	56354	Nut	4	4					4	4				
22	5804	Bolt	6	6					6	6				
23	63546	Bolt	1	1					1	1				
24	79570	Hinge	2	2					2	2				
25	802874	Bracket, hood latch	2	2					2	2				
26	803079	Washer, special	2	2					2	2				
27	803677	Hood	1	1					1	1				

			QUANTITY / MODEL								9 AA 322				
			30-4	40-4				30-4 H	40-4 H						
2/2 K-D HAWK SIDE PANELS, REAR FENDERS, AND HOOD LIFT CYLINDER															
ITEM	PART NO.	DESCRIPTION	30-2	40-2				30-2 H	40-2 H						
28	802615	Fender, LH rear (all except M30 trucks)		1					1						
28	804326	Fender, LH rear (M30 trucks only)	1					1							
29	802616	Fender, RH rear (all except M30 trucks)		1					1						
29	804327	Fender, RH rear (M30 trucks only)	1					1							
30	Z4053	Trim lock, 10 in.	2	2				2	2						
31	Z4054	Seal, strip, 27 in.	1	1				1	1						
32	804346	Panel, RH cover	1	1				1	1						
33	804345	Panel, LH cover - 2nd mounting	1	1				1	1						
34	581732	Key, hood latch	1	1				1	1						



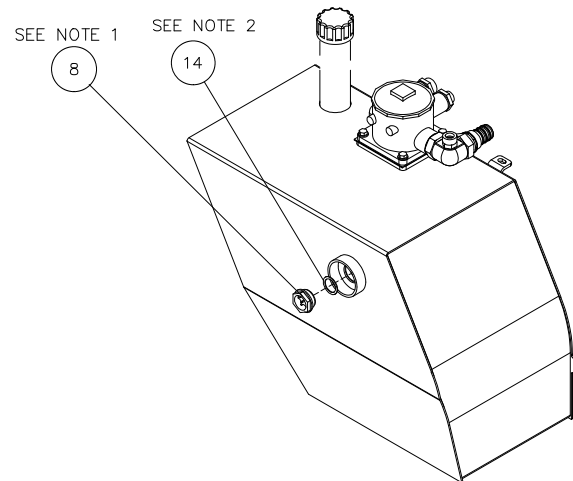
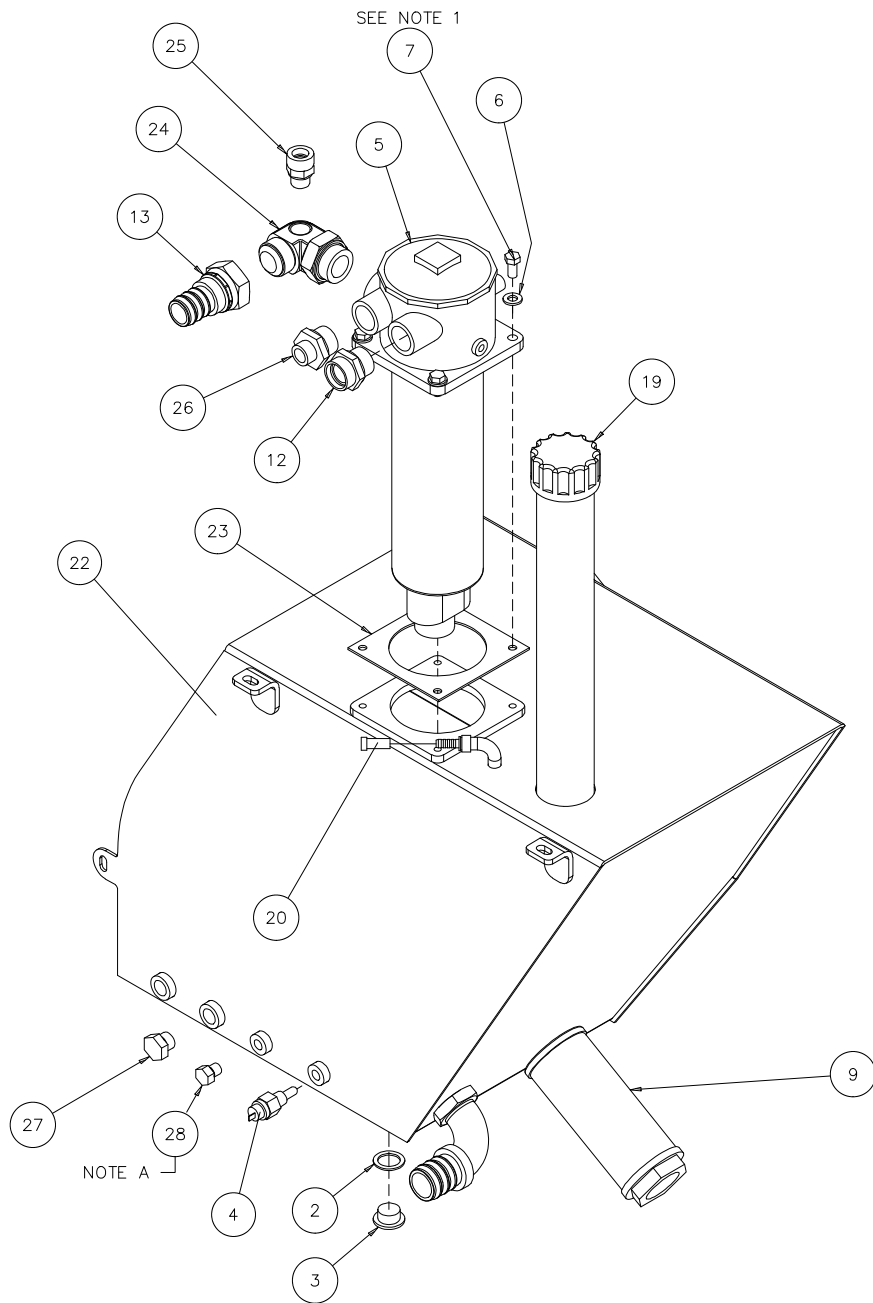
			QUANTITY / MODEL								9 AA 323				
1/1 K-D HAWK ENGINE COVER AND COUNTERWEIGHT COVER			30-4	40-4				30-4 H	40-4 H						
ITEM	PART NO.	DESCRIPTION	30-2	40-2				30-2 H	40-2 H						
1	802769	Cover, counterweight	1	1				1	1						
2	802884	Screen	1	1				1	1						
3	802944	Receptacle, large	4	4				4	4						
4	B254-2	Rivet	8	8				8	8						
5	802943	Retainer, push-on	4	4				4	4						
6	802945	Washer, cupped nylon	4	4				4	4						
7	802946	Spring, stud ejector	4	4				4	4						
8	802942	Stud, wing head recess	4	4				4	4						
10	63546	Bolt	3	3				3	3						
11	44026	Washer	3	3				3	3						



NOTES:

- 1. APPLY LOCTITE 545 THREAD SEALER TO MALE THREAD.
- 2. DISCARD SEAL SUPPLIED WITH LEVEL GAUGE

			QUANTITY / MODEL												10 AA 633		
			30-4	40-4													
1/1			K-D HAWK														
			HYDRAULIC TANK ASSEMBLY, 4-SPEED TRANSMISSION														
ITEM	PART NO.	DESCRIPTION	30-2	40-2													
3	189536	Seal, drain plug	1	1													
4	189535	Drain plug	1	1													
5	42347	Bolt	3	3													
6	176864	Adapter, hose	1	1													
7	221172	Filter assembly, complete	1	1													
8	29437	Washer, flat	4	4													
9	63727	Bolt	4	4													
10	424764	Stainer, hydraulic suction	1	1													
11	488236	Level gauge	1	1													
12	802263	Filter mounting plate	1	1													
13	802354	Gasket, filter adapter	1	1													
14	42325	Washer, lock	3	3													
15	K8-326	Seal	1	1													
20	425501	Filler cap, vented	1	1													
21	803039	Cap	1	1													
23	803532	Tank, hydraulic	1	1													
24	B114A3	Plug	1	1													

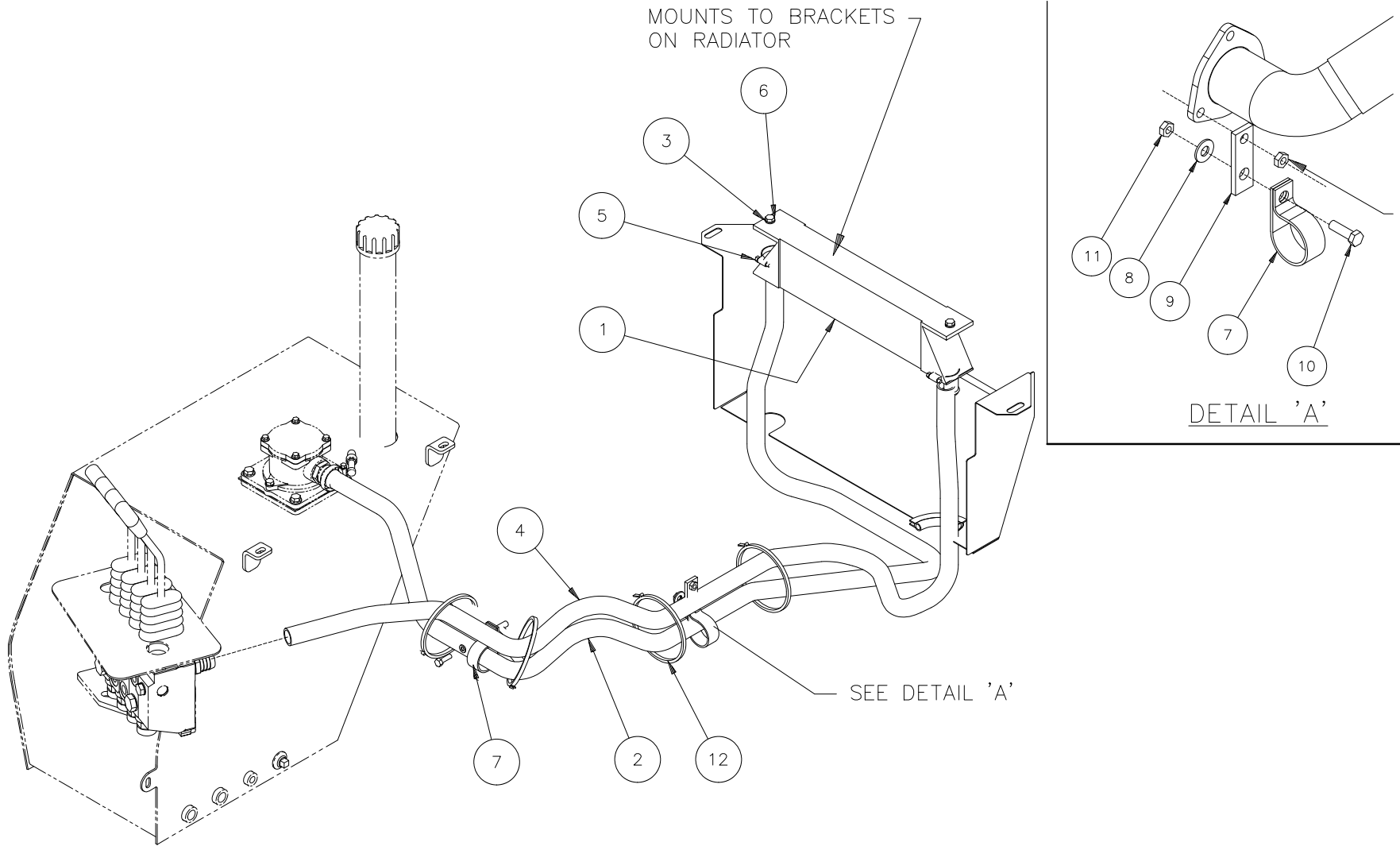


NOTES:

- 1. APPLY LOCTITE 545 THREAD SEALER TO MALE THREAD.
- 2. DISCARD SEAL SUPPLIED, USE ITEM 14

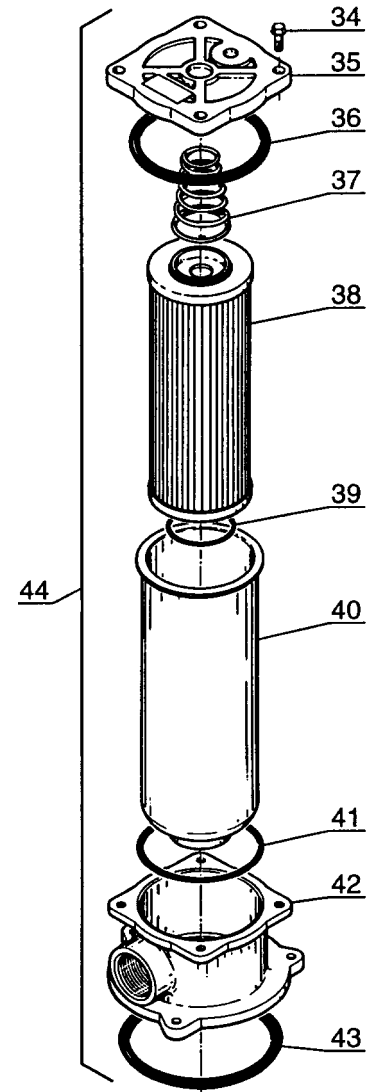
NOTE A: REMOVE PLUG FOR DIFF LOCK OPTION.

			QUANTITY / MODEL									
			10 AA 634									
			30-4 H		40-4 H							
			30-2 H		40-2 H							
ITEM	PART NO.	DESCRIPTION										
1/1	K-D HAWK	HYDRAULIC TANK ASSEMBLY, HYDROSTATIC TRANSMISSION										
2	189536	Seal, drain plug	1	1								
3	189535	Drain plug	1	1								
4	425497	Temp switch	1	1								
5	234292	Filter assembly, complete	1	1								
6	29437	Washer, flat	4	4								
7	63727	Bolt	4	4								
8	488236	Level gauge	1	1								
9	424764	Stainer, hydraulic suction	1	1								
12	803269	Connector	1	1								
13	802451	Fitting	1	1								
14	K8-326	Ring, back-up	1	1								
19	425501	Filler cap, vented	1	1								
20	803039	Cap	1	1								
22	803532	Tank, hydraulic	1	1								
23	802354	Gasket	1	1								
24	803733	Elbow, tapped	1	1								
25	213400	Adapter	1	1								
26	803735	Connector	1	1								
27	175743	Plug	1	1								
28	803966	Plug	1	1								

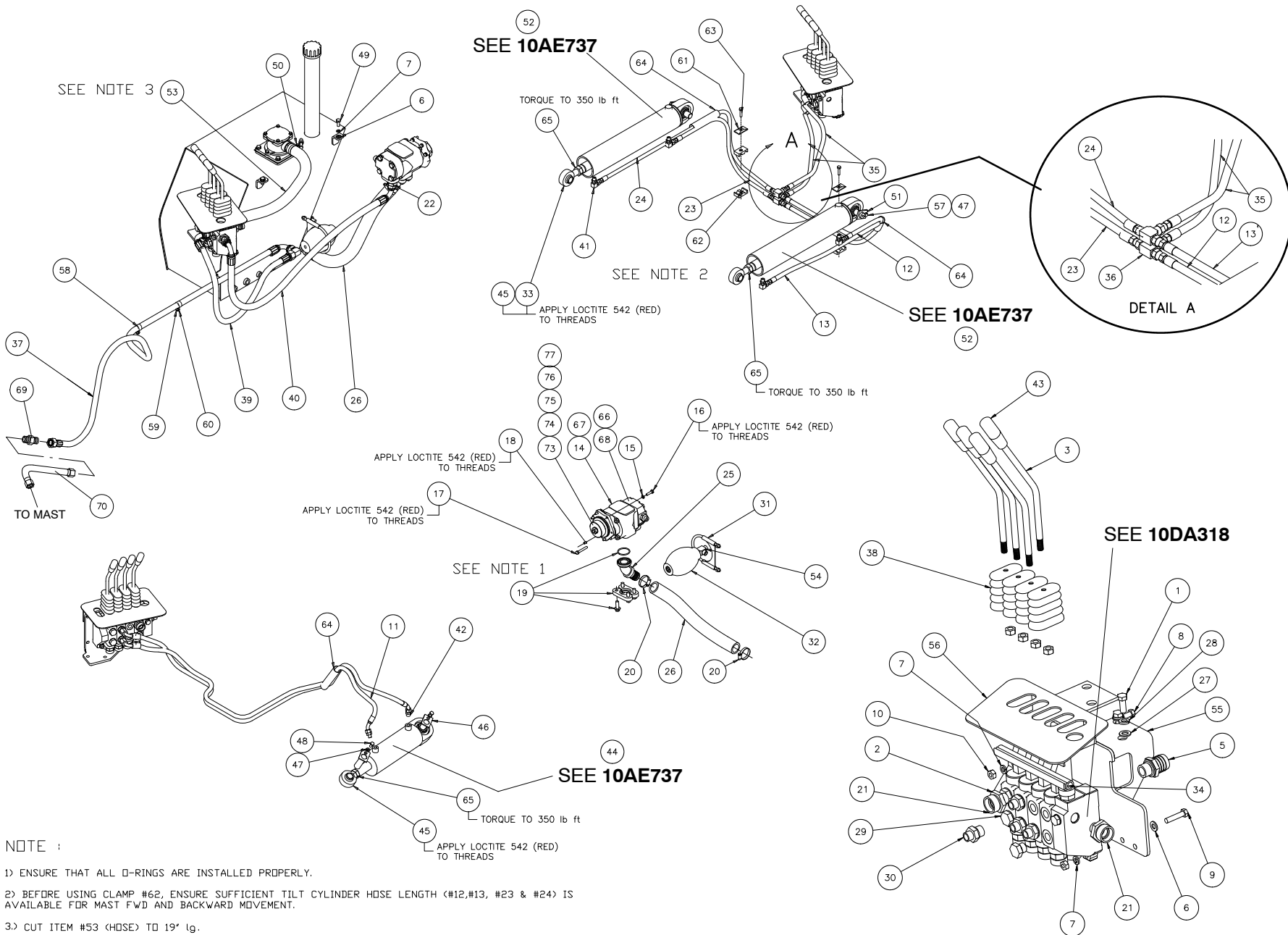


			QUANTITY / MODEL										10 AA 635				
1/1 K-DHAWK OIL COOLER, HYDRASTATIC			30-4	40-4													
ITEM	PART NO.	DESCRIPTION	30-2	40-2													
1	812481	Oil cooler	1	1													
2	804435	Hose	1	1													
3	K34807	Washer, lock	6	6													
4	804434	Hose	1	1													
5	804776	Clamp	2	2													
6	K20388	Bolt	2	2													
12	496810	Tie wrap	4	4													

37.00



			QUANTITY / MODEL										10 AA 636					
1/1 K-D HAWK FILTER ASSEMBLIES, HYDRAULIC TANK			30-4	40-4					30-4 H	40-4 H								
ITEM	PART NO.	DESCRIPTION	30-2	40-2					30-2 H	40-2 H								
11	234292	Hydraulic return oil filter, complete, hydrostatic							1	1								
12	602094	Cover							1	1								
13	602096	Filter cartridge							1	1								
14	602097	Tube							1	1								
15	602099	Switch, filter clogging							1	1								
16	602095	Body, filter return							1	1								
17	602098	Filter kit							1	1								
34	562461	Screw	4	4														
35	562086	Cover	1	1														
36	48384	O-ring	1	1														
37	562088	Spring	1	1														
38	221174	Filter cartridge	1	1														
39	562092	O-ring	1	1														
40	562095	Tube	1	1														
41	562090	Seal	1	1														
42	562089	Body, filter return	1	1														
43	562093	Seal	1	1														
44	221172	Hydraulic return oil filter, complete, 4-speed	1	1														



			QUANTITY / MODEL								10 AE 763				
1/3 K-D HAWK HYDRAULIC SYSTEM, PUMP AND CONTROLS			30-4	40-4				30-4 H	40-4 H						
ITEM	PART NO.	DESCRIPTION	30-2	40-2				30-2 H	40-2 H						
1	63547	Bolt	2	2				2	2						
2	209131	Valve assembly, 4 spool	1	1				1	1						
3	801851	Lever, valve	4	4				4	4						
4	58548	Nut	4	4				4	4						
5	192093	Adapter	1	1				1	1						
6	29437	Washer, flat	7	7				7	7						
7	42232	Washer, lock	7	7				7	7						
8	58538	Bolt	2	2				2	2						
9	58536	Bolt	1	1				1	1						
10	56354	Nut	3	3				3	3						
11	803025	Hose assembly	2	2				2	2						
12	803035	Hose assembly	1	1				1	1						
13	803034	Hose assembly	1	1				1	1						
14*	249256	Pump, hydraulic	1	1				1	1						
15	42325	Washer, lock	4	4				4	4						
16	63754	Bolt	4	4				4	4						
17	61545	Bolt	1	1				1	1						
18	73191	Screw	1	1				1	1						
19	496830	Flange kit	1	1				1	1						
20	177274	Clamp, hose	2	2				2	2						
21	803031	Adapter	2	2				2	2						
22	803032	Adapter	1	1				1	1						
23	803037	Hose assembly	1	1				1	1						
24	803036	Hose assembly	1	1				1	1						
25	496829	Flange	1	1				1	1						
26	802367	Hose, suction	1	1				1	1						

* If replacing pump, also replace the Load Sensing Hose, see 10BA301, Item 82.

10 AE 737

K-D HAWK MAST TILT CYLINDER ASSEMBLY, 1ST AND 2ND MOUNTING
 MAST SIDE-SHIFT CYLINDER ASSEMBLY, 1ST, 2ND AND 3RD MOUNTING

30-2
40-2

30-4
40-4

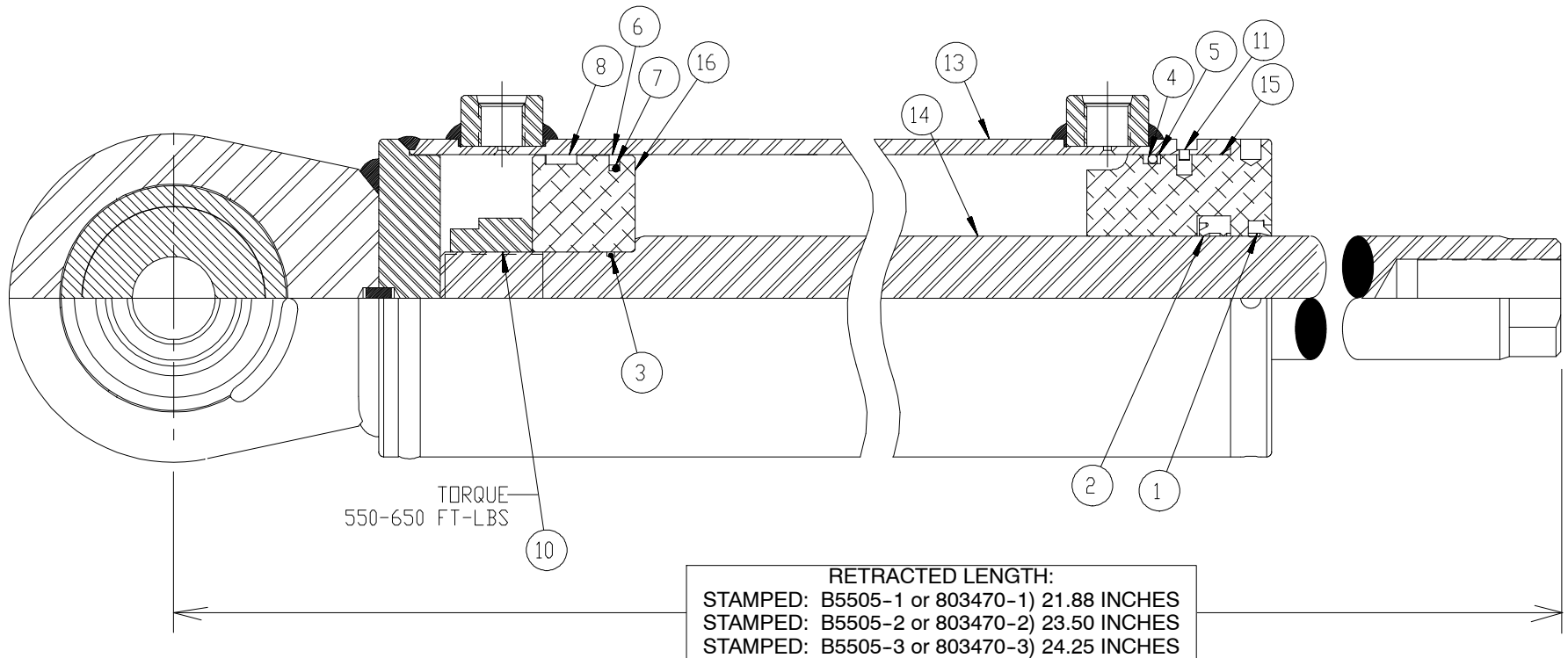
30-2 H
40-2 H

30-4 H
40-4 H

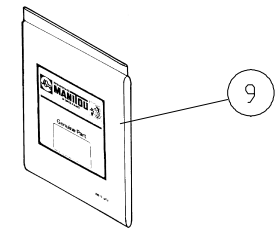
NOTE:

FOR 1ST AND 2ND MOUNTINGS OF TILT CYLINDERS, FIND STAMPED ON THE BARREL: B5505-1 or 803470-1, B5505-2 or 803470-2, B5505-3 or 803470-3

FOR 1ST, 2ND AND 3RD MOUNTINGS OF SIDE SHIFT CYLINDER, FIND STAMPED ON BARREL: B6140-1 or 803827 or MD35006024S-B V10

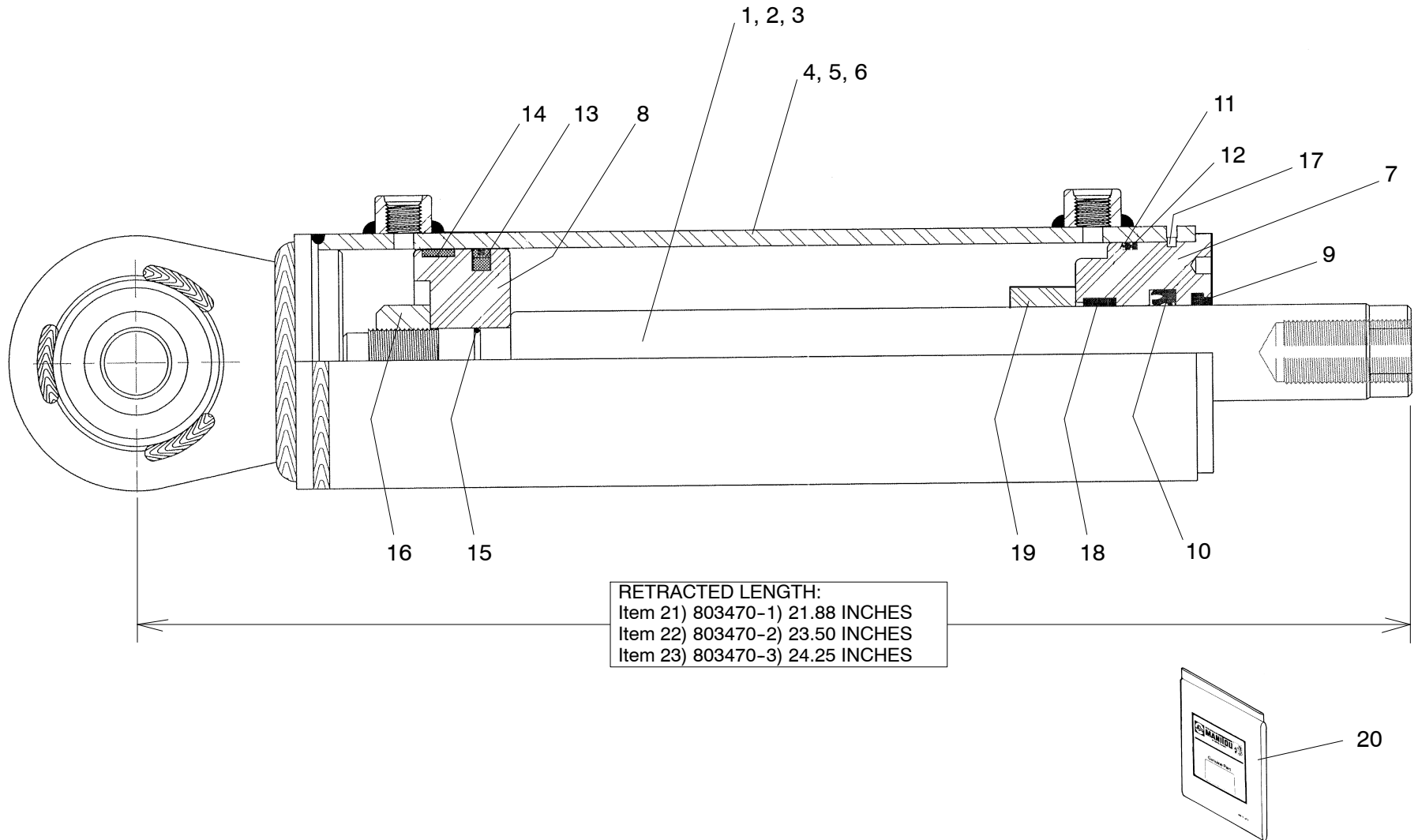


RETRACTED LENGTH:
 STAMPED: B5505-1 or 803470-1) 21.88 INCHES
 STAMPED: B5505-2 or 803470-2) 23.50 INCHES
 STAMPED: B5505-3 or 803470-3) 24.25 INCHES



			QUANTITY / MODEL								10 AE 737				
			30-4	40-4				30-4 H	40-4 H						
			30-2	40-2				30-2 H	40-2 H						
ITEM	PART NO.	DESCRIPTION	30-2	40-2				30-2 H	40-2 H						
1/1	K-D HAWK MAST TILT CYLINDER ASSEMBLY, 1ST AND 2ND MOUNTING														
	MAST SIDE-SHIFT CYLINDER ASSEMBLY, 1ST, 2ND AND 3RD MOUNTING														
	Obsolete	Tilt Cyl. Asy, 20°/15° Tilt (Stamped B5505-1 or 803470-1)	2	2				2	2						
	Obsolete	Tilt Cyl. Asy, 20°/10° Tilt (Stamped B5505-2 or 803470-2)	2	2				2	2						
	Obsolete	Tilt Cyl. Asy, 45°/10° Tilt (Stamped B5505-3 or 803470-3)	2	2				2	2						
	803827	Side Shift Cylinder Assembly (Stamped B6140-1)	1	1				1	1						
1*	803818	Wiper	1	1				1	1						
2*	803817	Seal, rod	1	1				1	1						
3*	803820	O-Ring	1	1				1	1						
4*	803821	O-Ring	1	1				1	1						
5*	803822	Back-up Ring	1	1				1	1						
6*	803823	Cap seal	1	1				1	1						
7*	803824	O-Ring	1	1				1	1						
8	803825	Wear ring	1	1				1	1						
9	803470KIT	Seal Kit (for all Cylinders noted, not all parts will be used)	1	1				1	1						
10	803841	Locknut	1	1				1	1						
11	803840	Retaining ring	1	1				1	1						
13	803859	Barrel, Tilt Cylinder, 20°/15° Tilt	1	1				1	1						
13	803857	Barrel, Tilt Cylinder, 20°/10° Tilt	1	1				1	1						
13	803861	Barrel, Tilt Cylinder, 45°/10° Tilt	1	1				1	1						
13	803845	Barrel, Side Shift	1	1				1	1						
14	803860	Rod, Tilt Cylinder, 20°/15° Tilt	1	1				1	1						
14	803858	Rod, Tilt Cylinder, 20°/10° Tilt	1	1				1	1						
14	803862	Rod, Tilt Cylinder, 45°/10° Tilt	1	1				1	1						
14	803844	Rod, Side Shift Cylinder	1	1				1	1						
15	803856	Head, tilt cylinder	1	1				1	1						
15	803843	Head, side shift cylinder	1	1				1	1						
16	803855	Piston, tilt cylinder	1	1				1	1						
16	803842	Piston, side shift cylinder	1	1				1	1						
		* Included in Seal Kit (Item 9).													

NOTE:
FOR 3RD MOUNTING OF TILT CYLINDER,
FIND STAMPED ON THE BARREL: "AM&H"



			QUANTITY / MODEL								10 AE 762			
1/1			K-D HAWK MAST TILT CYLINDER ASSEMBLY, 3RD MOUNTING											
ITEM	PART NO.	DESCRIPTION	30-2	40-2					30-4 H	40-4 H				
1	806883	Rod, Tilt Cylinder, 20°/15° Tilt	1	1					1	1				
2	806885	Rod, Tilt Cylinder, 20°/10° Tilt	1	1					1	1				
3	807151	Rod, Tilt Cylinder, 45°/10° Tilt	1	1					1	1				
4	806884	Barrel, Tilt Cylinder, 20°/15° Tilt	1	1					1	1				
5	807150	Barrel, Tilt Cylinder, 20°/10° Tilt	1	1					1	1				
6	806886	Barrel, Tilt Cylinder, 45°/10° Tilt	1	1					1	1				
7	806887	Gland	1	1					1	1				
8	806888	Piston	1	1					1	1				
9*	806889	Wiper, rod	1	1					1	1				
10*	806890	Seal, rod	1	1					1	1				
11*	806891	O-Ring	1	1					1	1				
12*	806892	Back-up Ring	1	1					1	1				
13*	806893	Seal, piston	1	1					1	1				
14	806894	Wear ring	1	1					1	1				
15*	806895	O-Ring	1	1					1	1				
16	806896	Locknut	1	1					1	1				
17	806897	Lockwire	1	1					1	1				
18	806898	Wear ring	1	1					1	1				
19	B5521-6	Spacer (for Tilt Cylinder 803470-3)	1	1					1	1				
20	803470KIT	Seal Kit (for all Cylinders noted, not all parts will be used)	1	1					1	1				
21**	803470-1	Tilt Cylinder Assembly, 20°/15° Tilt (Stamped AM&H)	2	2					2	2				
22**	803470-2	Tilt Cylinder Assembly, 20°/10° Tilt (Stamped AM&H)	2	2					2	2				
23**	803470-3	Tilt Cylinder Assembly, 45°/10° Tilt (Stamped AM&H)	2	2					2	2				

* Items included in Seal Kit (Item 20).

** Measure RETRACTED LENGTH to determine Cylinder Assembly Part Number.

10 AF 562

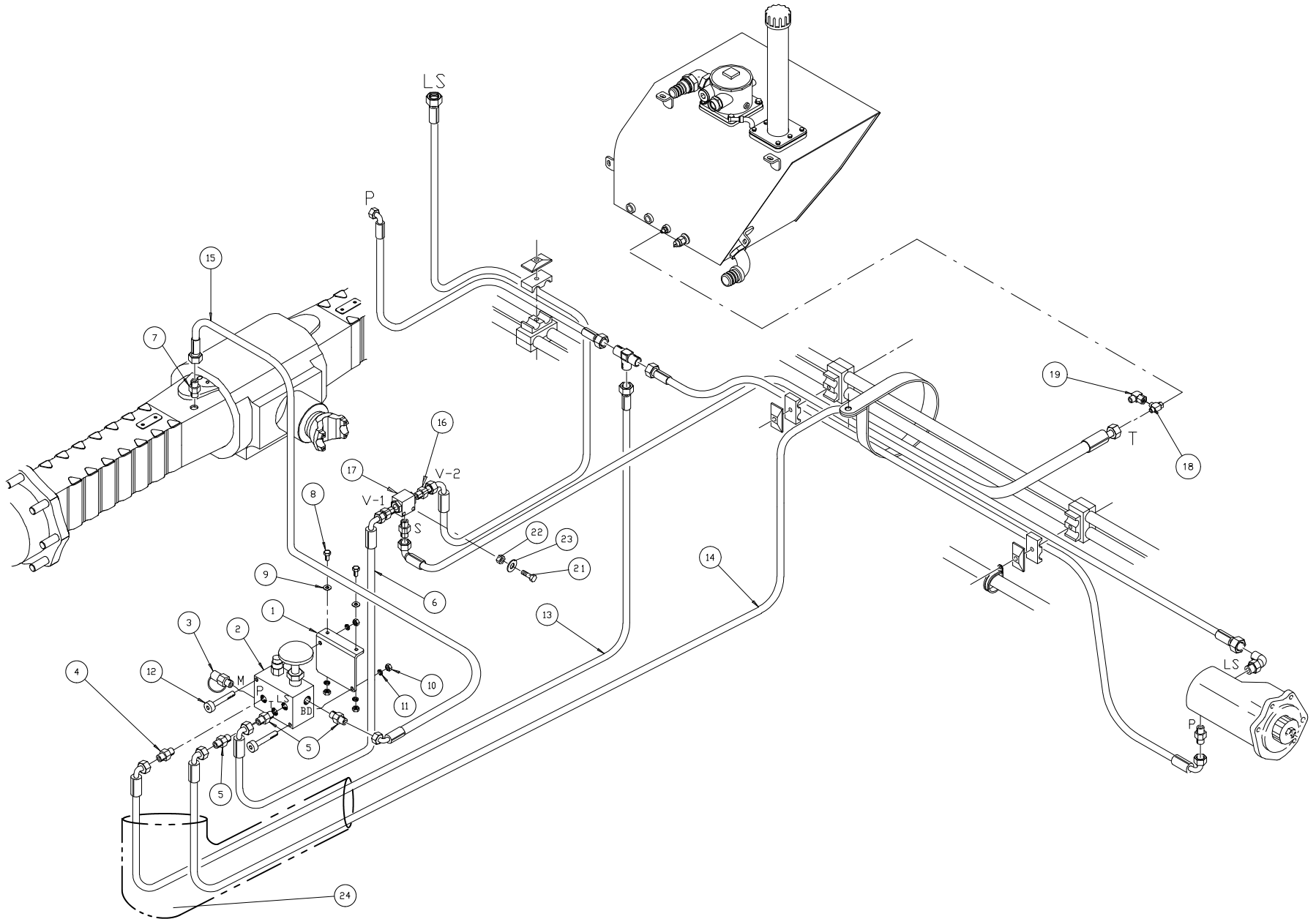
K-D HAWK HYDRAULIC DIFFERENTIAL LOCKING ASSEMBLY

30-2
40-2

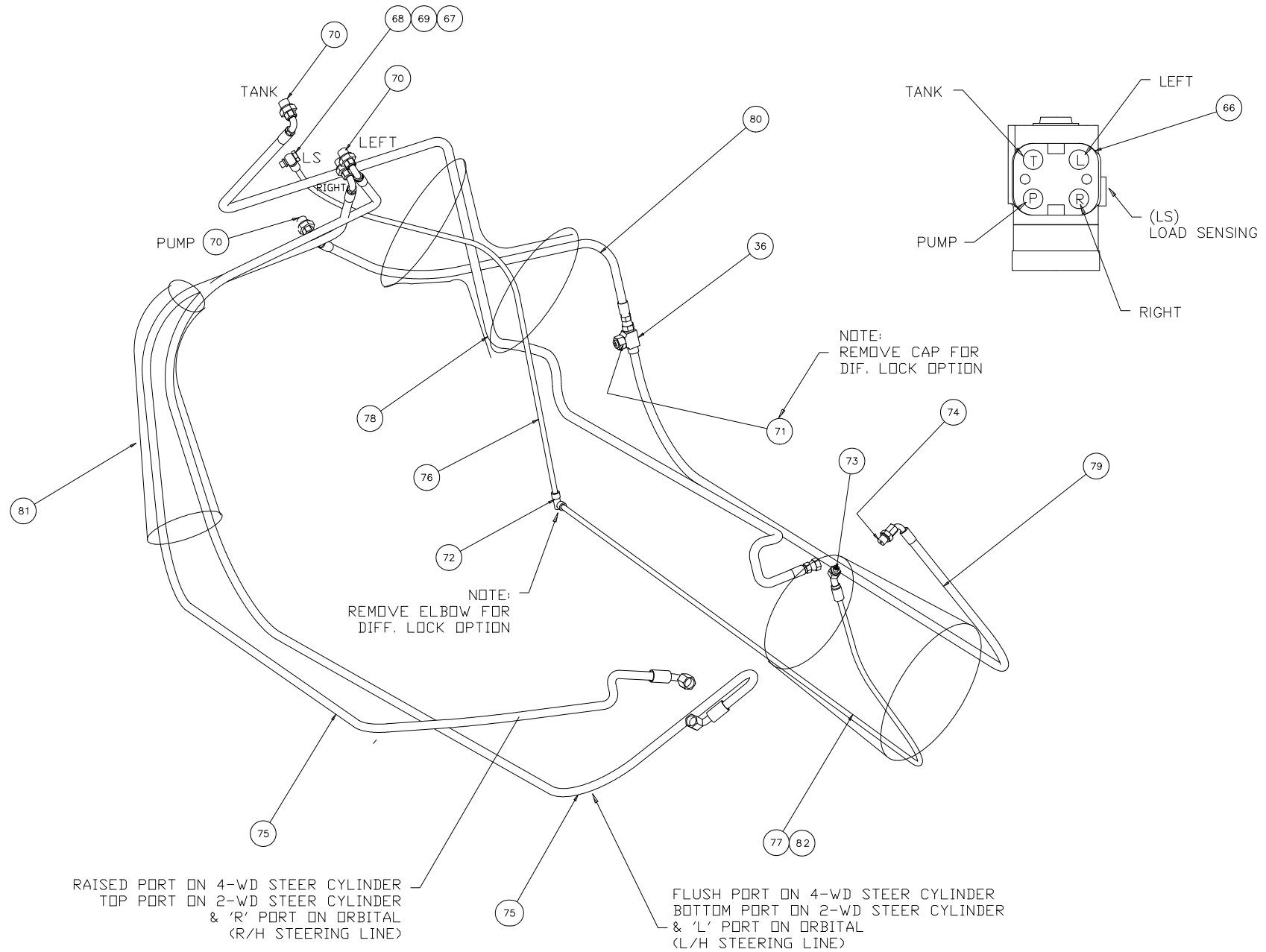
30-4
40-4

30-2 H
40-2 H

30-4 H
40-4 H



			QUANTITY / MODEL								10 AF 562				
1/1 K-D HAWK HYDRAULIC DIFFERENTIAL LOCKING ASSEMBLY			30-4	40-4				30-4 H	40-4 H						
ITEM	PART NO.	DESCRIPTION	30-2	40-2				30-2 H	40-2 H						
1	802983	Bracket, valve mount	1	1				1	1						
2	240077	Valve	1	1				1	1						
3	72339	Fitting, pressure test	1	1				1	1						
4	803177	Connector	1	1				1	1						
5	803196	Connector	3	3				3	3						
6	803021	Hose assembly	1	1				1	1						
7	803182	Connector	1	1				1	1						
8	25713	Bolt	2	2				2	2						
9	174132	Washer, lock	2	2				2	2						
10	25714	Nut	4	4				4	4						
11	42316	Washer, lock	4	4				4	4						
12	178696	Bolt	2	2				2	2						
13	803019	Hose assembly	1	1				1	1						
14	803200	Hose assembly	1	1				1	1						
15	803020	Hose assembly	1	1				1	1						
16	803184	Connector	3	3				3	3						
17	480079	Valve, flip flop	1	1				1	1						
18	803198	Union tee	1	1				1	1						
19	803199	Elbow, swivel nut	1	1				1	1						
20	B4712	Decal, diff. lock	1	1				1	1						
21	K300858	Bolt	2	2				2	2						
22	K33795	Nut	2	2				2	2						
23	K34805	Washer	2	2				2	2						
24	Z4525	Sleeve x 60 in.	1	1				1	1						



			QUANTITY / MODEL								10 BA 301			
1/1			K-D HAWK STEERING HYDRAULICS											
ITEM	PART NO.	DESCRIPTION	30-2	40-2				30-4 H	40-4 H					
66	197335	Steering valve	1	1				1	1					
67	207785	Spacer	1	1				1	1					
68	207784	Hollow Screw	1	1				1	1					
69	479275	Copper Seal	1	1				1	1					
70	803188	Connector	4	4				4	4					
71	R19872-6	Cap	1	1				1	1					
72	803193	Elbow	1	1				1	1					
73*	803184	Connector	1	1				1	1					
74	803177	Connector	1	1				1	1					
75	803187	Hose Assembly - 'L'/'R' ORBIT TO CYLINDER	2	2				2	2					
76	803194	Hose Assembly - 'LS' ORBITAL - TEE	1	1				1	1					
77*	803192	Hose Assembly - 'LS' PUMP TO TEE	1	1				1	1					
78	803189	Hose Assembly - 'T' ORBITAL TO TANK	1	1				1	1					
79	803191	Hose Assembly - 'P' PUMP TO TEE	1	1				1	1					
80	803190	Hose Assembly - 'P' ORBITAL TO TEE	1	1				1	1					
81	24525	Sleeve, Nylon x 15 ft.	1	1				1	1					
82*	806709	Hose Assembly - 'LS' PUMP TO TEE	1	1				1	1					
		<p>* Use Item 77 Hose & Item 73 Conn. with Hydraulic Pump 244726 (Pump has Female Connection for Load Sensing). Use Item 82 Hose with replacement Hydraulic Pump 249256 (Pump has Male Connection for Load Sensing).</p>												

10 CE 15

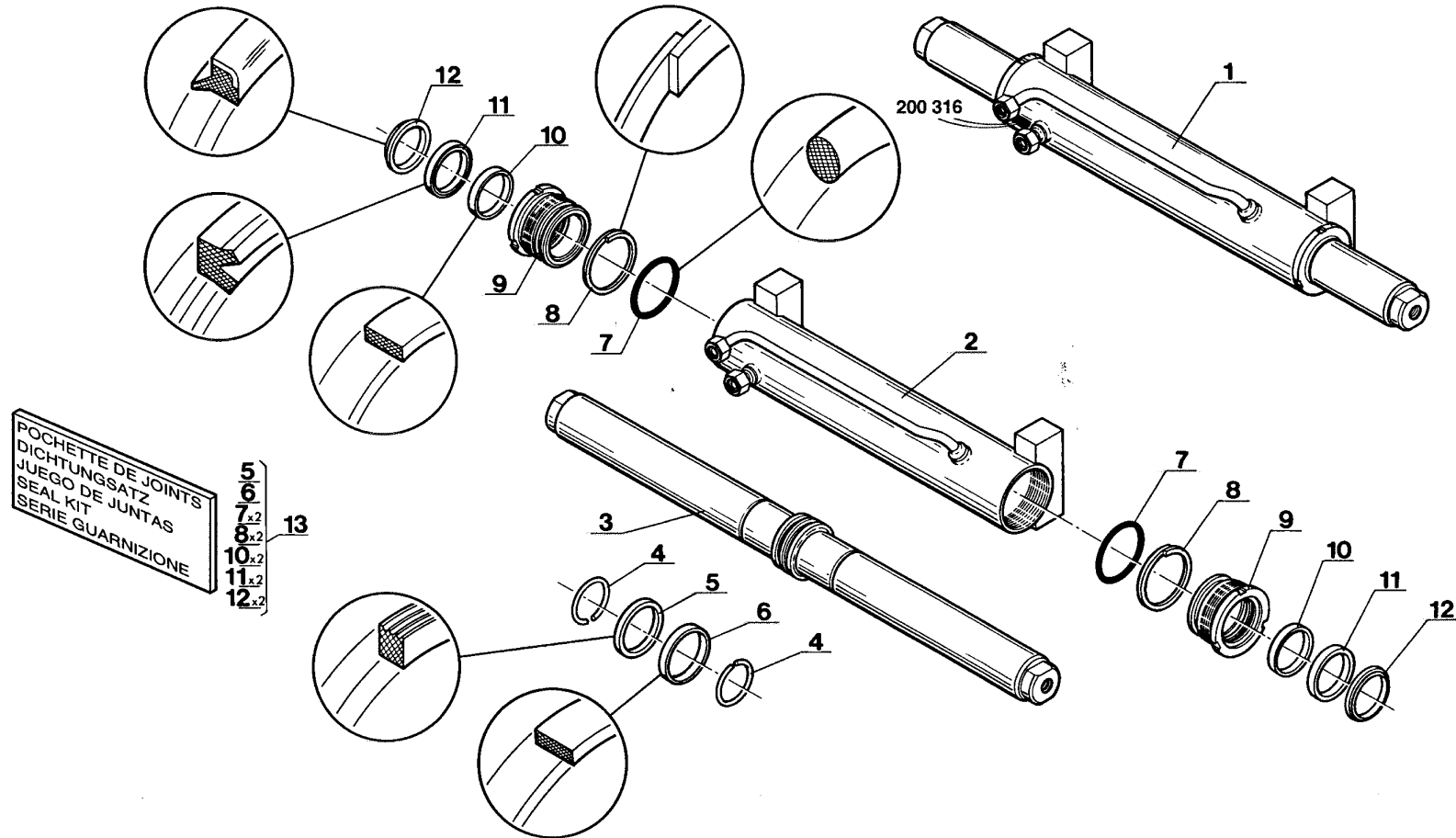
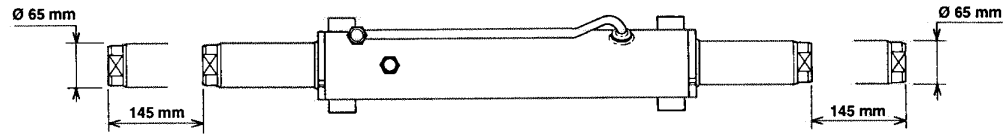
K-D HAWK STEERING CYLINDER, 2WD

30-2
40-2

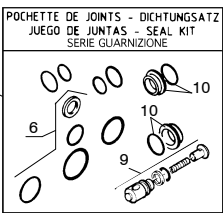
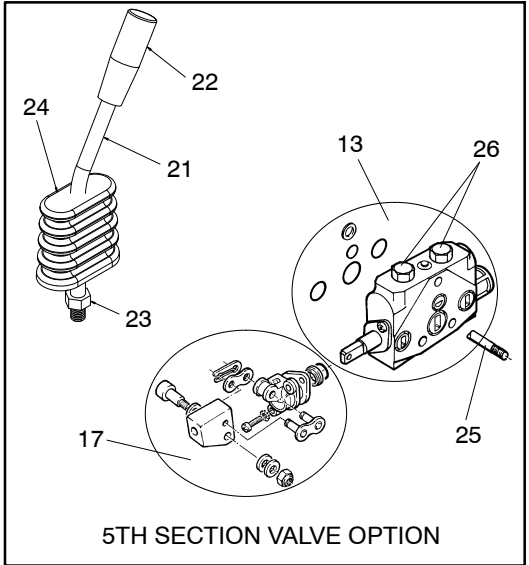
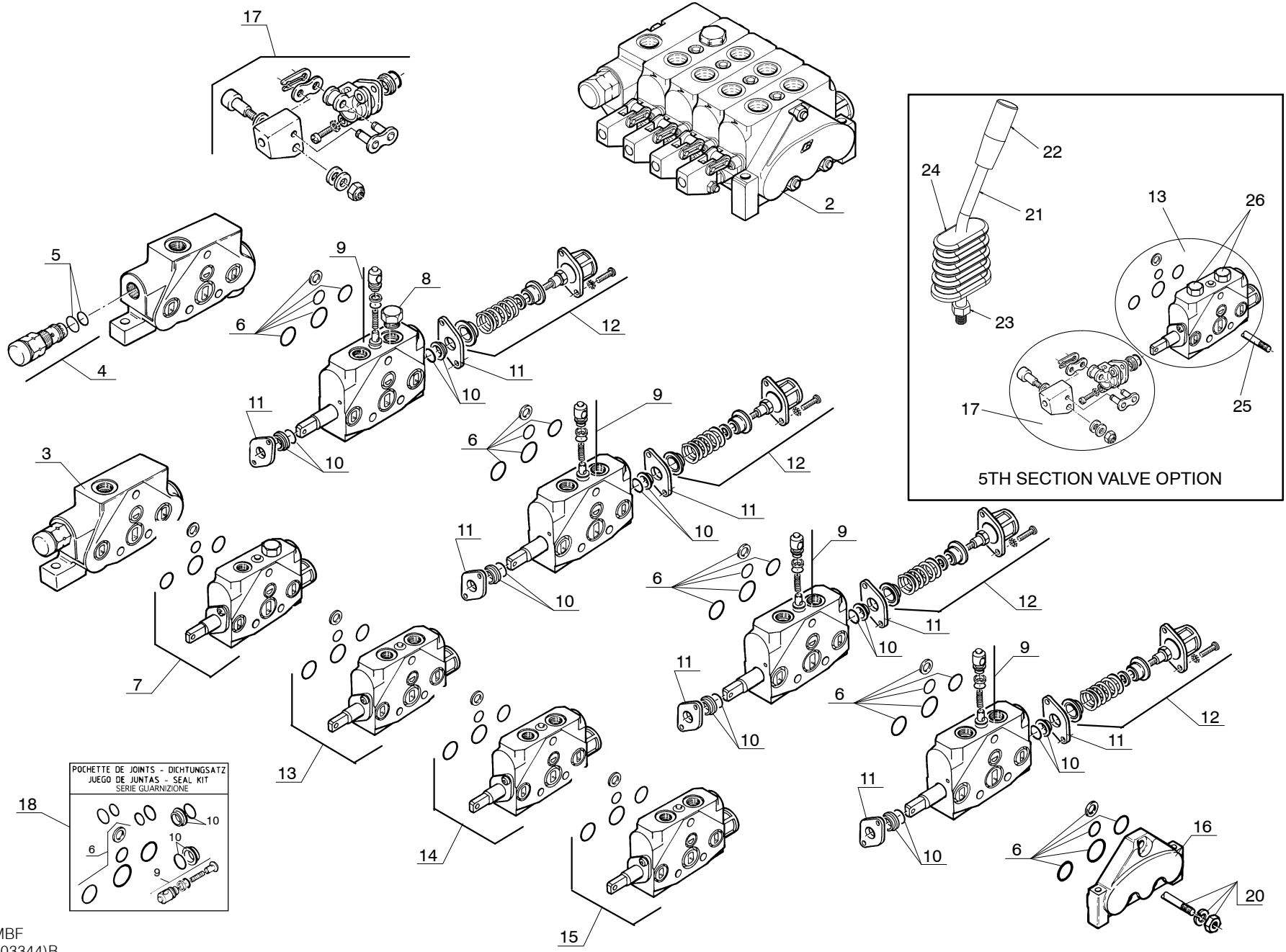
30-4
40-4

30-2 H
40-2 H

30-4 H
40-4 H



			QUANTITY / MODEL										10 CE 15							
1/1 <i>K-D HAWK</i> STEERING CYLINDER, 2WD																				
ITEM	PART NO.	DESCRIPTION	30-2	40-2				30-2 H	40-2 H											
1	200316	Steering cylinder, complete 2WD	1	1				1	1											
2	561637	Cylinder body	1	1				1	1											
3	561623	Cylinder rod	1	1				1	1											
4	197670	Snap ring	2	2				2	2											
5	561624	Seal	1	1				1	1											
6	561625	Seal	1	1				1	1											
7	5239	O-ring	2	2				2	2											
8	187898	Seal, anti-extrusion	2	2				2	2											
9	561622	Fastening ring	2	2				2	2											
10	561621	Guide ring	2	2				2	2											
11	561620	Seal	2	2				2	2											
12	197709	Seal	2	2				2	2											
13	551774	Seal kit	1	1				1	1											



			QUANTITY / MODEL								10 DA 318				
1/1 <i>K-D HAWK</i> HYDRAULIC VALVE BANK ASSEMBLY			30-4	40-4				30-4 H	40-4 H						
ITEM	PART NO.	DESCRIPTION	30-2	40-2				30-2 H	40-2 H						
2	209131	Valve bank assembly	1	1				1	1						
3	551239	Inlet member	1	1				1	1						
4	548112	Relief valve	1	1				1	1						
5	476318	O-ring	A/R	A/R				A/R	A/R						
6	476321	Seal	A/R	A/R				A/R	A/R						
7	561340	Single acting member	1	1				1	1						
8	476341	Plug	1	1				1	1						
9	476322	Valve	A/R	A/R				A/R	A/R						
10	476324	Seal	A/R	A/R				A/R	A/R						
11	476325	Plate	A/R	A/R				A/R	A/R						
12	548894	Spring return drive	A/R	A/R				A/R	A/R						
13	476850	Double acting member	1	1				1	1						
14	476850	Double acting member	1	1				1	1						
15	476850	Double acting member	1	1				1	1						
16	549774	Fastening member	1	1				1	1						
17	549672	Single drive	A/R	A/R				A/R	A/R						
18	192871	Seal kit	A/R	A/R				A/R	A/R						
20	600726	Tie rod	1	1				1	1						
21	801851	Lever, valve	1	1				1	1						
22	202226	Handle, valve	1	1				1	1						
23	58548	Nut	1	1				1	1						
24	199728	Boot, single lever	1	1				1	1						
25	600753	Tie rod	3	3				3	3						
26	175743	Plug	2	2				2	2						

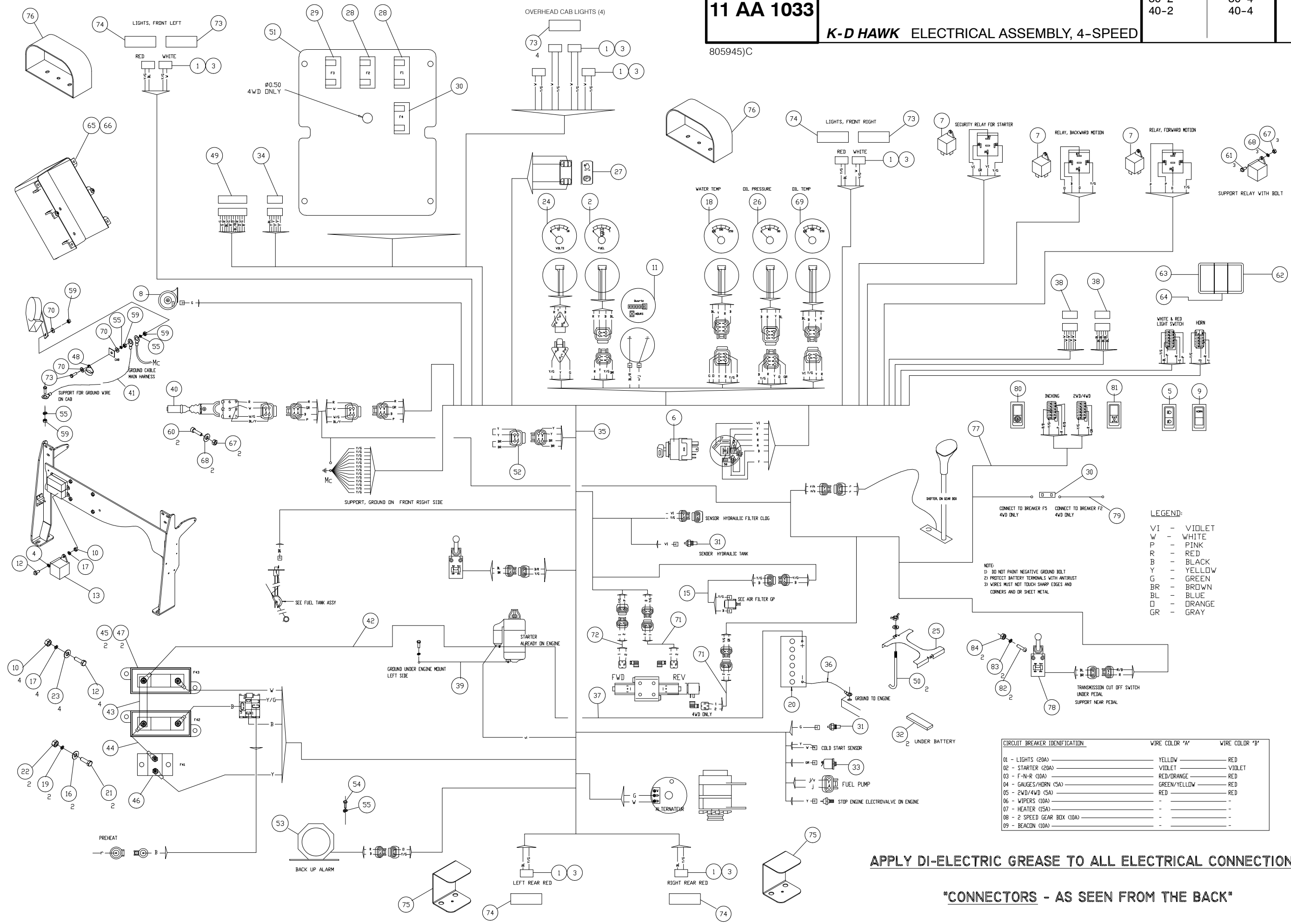
11 AA 1033

K-D HAWK ELECTRICAL ASSEMBLY, 4-SPEED

30-2
40-2

30-4
40-4

805945)C



LEGEND:

VI - VIOLET
 W - WHITE
 P - PINK
 R - RED
 B - BLACK
 Y - YELLOW
 G - GREEN
 BR - BROWN
 BL - BLUE
 O - ORANGE
 GR - GRAY

NOTE:
 1) DO NOT PAINT NEGATIVE GROUND BOLT
 2) PROTECT BATTERY TERMINALS WITH ANTRUST
 3) WIRES MUST NOT TOUCH SHARP EDGES AND CORNERS AND DR SHEET METAL.

CIRCUIT BREAKER IDENTIFICATION		WIRE COLOR "A"	WIRE COLOR "B"
01 - LIGHTS (20A)		YELLOW	RED
02 - STARTER (20A)		VIOLET	VIOLET
03 - F-N-R (10A)		RED/ORANGE	RED
04 - GAUGES/HORN (5A)		GREEN/YELLOW	RED
05 - 2WD/4WD (5A)		RED	RED
06 - WIPERS (10A)		-	-
07 - HEATER (15A)		-	-
08 - 2 SPEED GEAR BOX (10A)		-	-
09 - BEACON (10A)		-	-

APPLY DI-ELECTRIC GREASE TO ALL ELECTRICAL CONNECTIONS

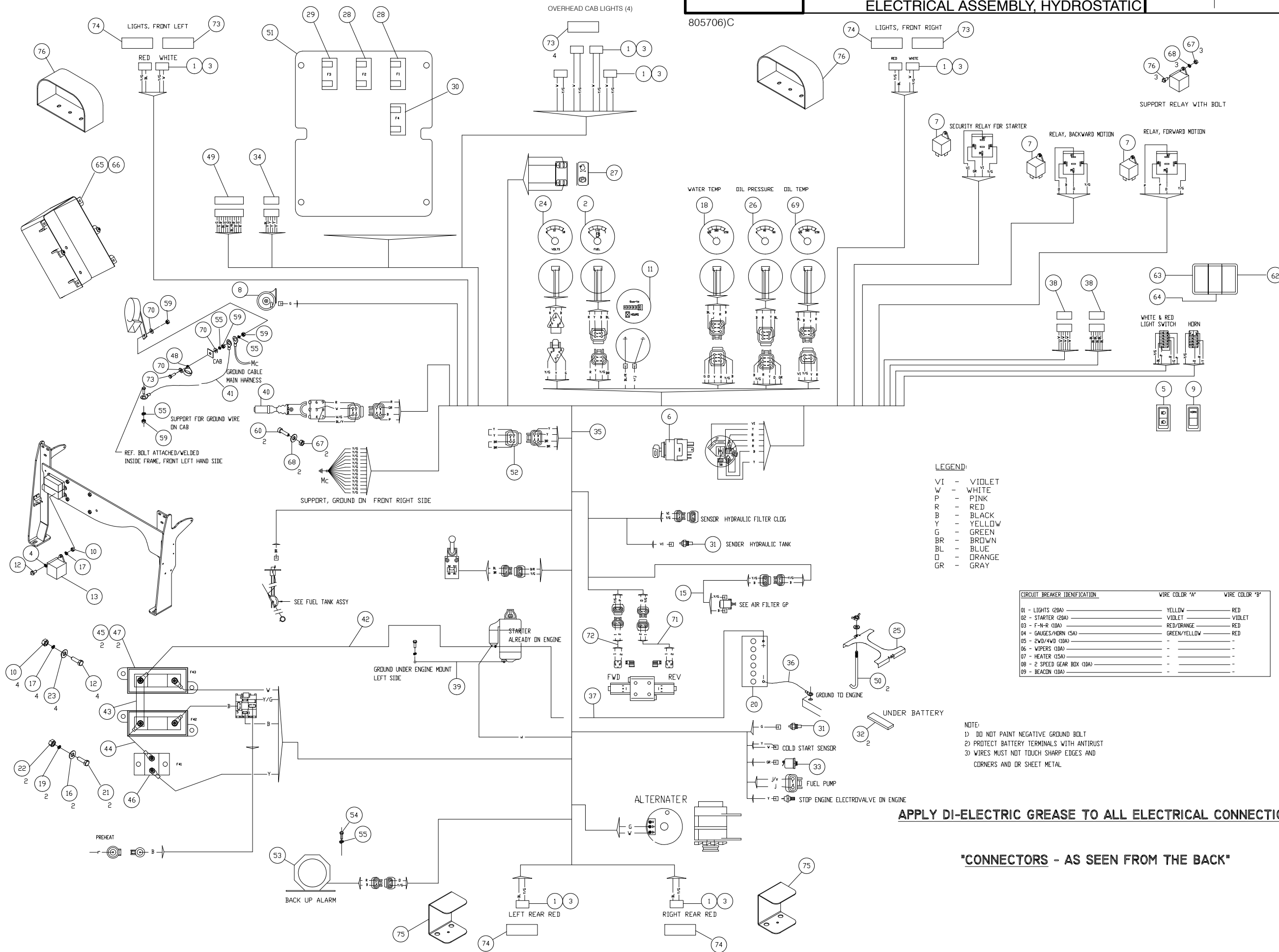
"CONNECTORS - AS SEEN FROM THE BACK"

			QUANTITY / MODEL												11 AA 1033				
1/3 K-D HAWK ELECTRICAL ASSEMBLY, 4-SPEED			40-2	40-4															
ITEM	PART NO.	DESCRIPTION	30-2	30-4															
1	805879	Connector, Light	8	8															
2	805917	Fuel Gauge	1	1															
3	805880	Terminal protector	8	8															
4	174132	Washer	1	1															
5	805876	Switch, Lights	1	1															
6	184817	Ignition Switch	1	1															
7	805878	Relay, see dwg	3	3															
8	20125	Horn	1	1															
9	805877	Switch, Horn	1	1															
10	25714	Nut, M6	5	5															
11	805882	Hourmeter	1	1															
12	46668	Bolt	5	5															
13	243482	Relay, Engine pre-heat	1	1															
15	802936	Harness Assembly	1	1															
16	28959	Washer, M5 Flat	2	2															
17	42316	Washer, M6 Lock	5	5															
18	805915	Gauge, Water Temp	1	1															
19	192310	Washer, M5 Lock	2	2															
21	61974	Bolt, M5	2	2															
22	54232	Nut, M5	2	2															
23	29469	Washer, M6 Flat	5	5															
24	805913	Volts Gauge	1	1															
25	202703	Strap, Battery	1	1															
26	805920	Oil Pressure Gauge	1	1															
27	805886	Indicator Light	1	1															
28	805887	Circuit Breaker 20 A	2	2															
29	805888	Circuit Breaker 10 A	1	1															
30	805889	Circuit Breaker 5 A	1	2															
31	805890	Sender, Temp	2	2															

45.00

ELECTRICAL ASSEMBLY, HYDROSTATIC

805706)C



- LEGEND:
- VI - VIOLET
 - W - WHITE
 - P - PINK
 - R - RED
 - B - BLACK
 - Y - YELLOW
 - G - GREEN
 - BR - BROWN
 - BL - BLUE
 - O - ORANGE
 - GR - GRAY

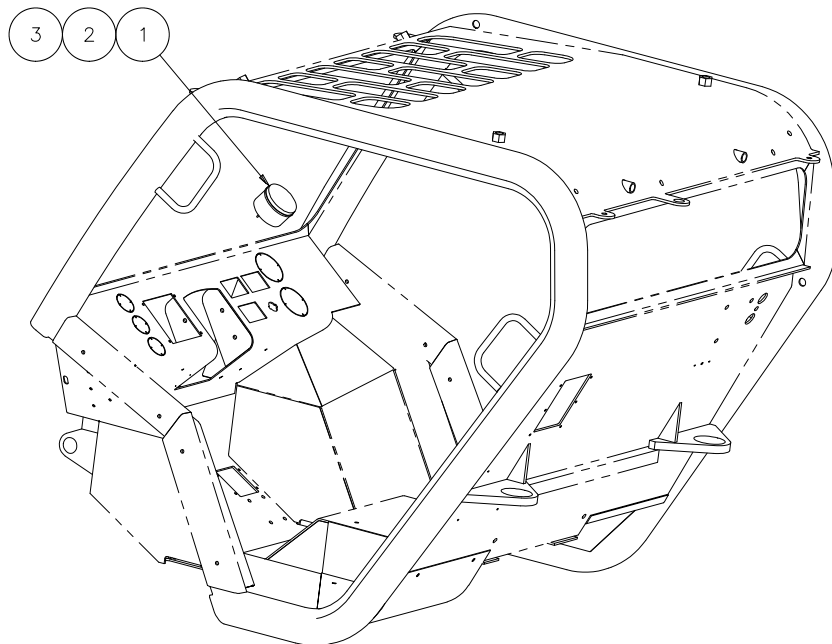
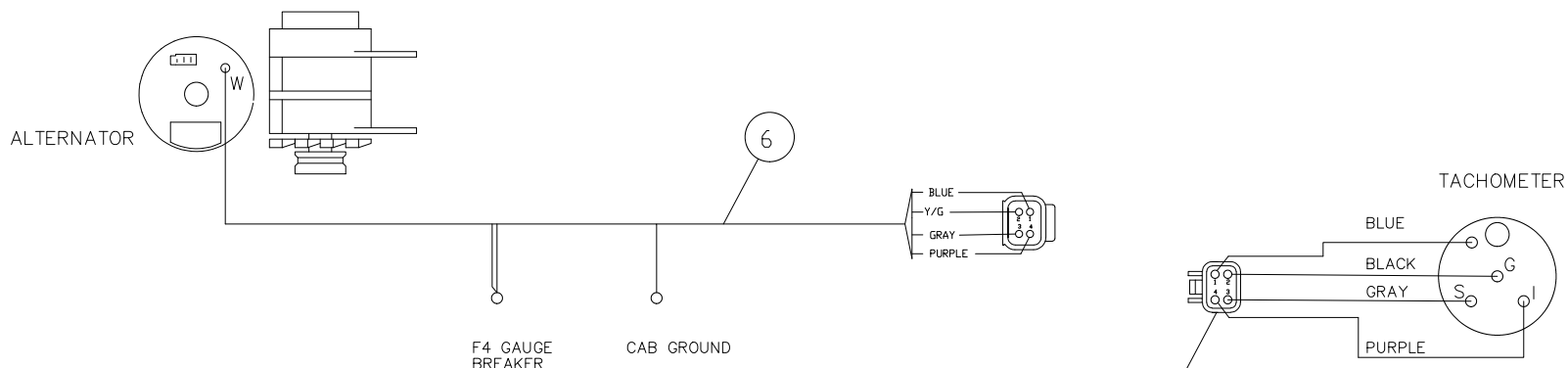
CIRCUIT BREAKER IDENTIFICATION	WIRE COLOR "A"	WIRE COLOR "B"
01 - LIGHTS (20A)	YELLOW	RED
02 - STARTER (20A)	VIOLET	VIOLET
03 - F-N-R (10A)	RED/ORANGE	RED
04 - GAUGES/HORN (5A)	GREEN/YELLOW	RED
05 - 2WD/4WD (10A)	-	-
06 - WIPERS (10A)	-	-
07 - HEATER (15A)	-	-
08 - 2 SPEED GEAR BOX (10A)	-	-
09 - BEACON (10A)	-	-

- NOTE:
- 1) DO NOT PAINT NEGATIVE GROUND BOLT
 - 2) PROTECT BATTERY TERMINALS WITH ANTRUST
 - 3) WIRES MUST NOT TOUCH SHARP EDGES AND CORNERS AND DR SHEET METAL

APPLY DI-ELECTRIC GREASE TO ALL ELECTRICAL CONNECTIONS

"CONNECTORS - AS SEEN FROM THE BACK"

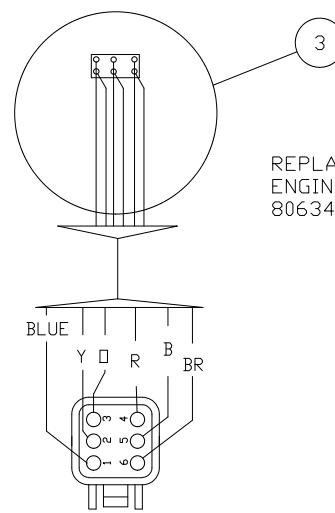
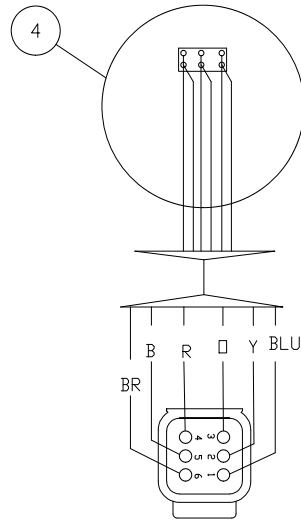
			QUANTITY / MODEL										11 AA 1034			
1/3 K-D HAWK ELECTRICAL ASSEMBLY, HYDROSTATIC			40-2 H	40-4 H												
ITEM	PART NO.	DESCRIPTION	30-2 H	30-4 H												
1	805879	Connector, Light	8	8												
2	805917	Fuel Gauge	1	1												
3	805880	Terminal protector	8	8												
4	174132	Washer	1	1												
5	805876	Switch, Lights	1	1												
6	184817	Ignition Switch	1	1												
7	805878	Relay, see dwg.	3	3												
8	20125	Horn	1	1												
9	805877	Switch, Horn	1	1												
10	25714	Nut, M6	5	5												
11	805882	Hourmeter	1	1												
12	46668	Bolt	5	5												
13	243482	Relay, Engine pre-heat	1	1												
14	802935	Wire Assembly	1	1												
15	802936	Harness Assembly	1	1												
16	28959	Washer, M5 Flat	2	2												
17	42316	Washer, M6 Lock	5	5												
18	805915	Gauge Water Temp	1	1												
19	192310	Washer, M5 Lock	2	2												
21	61974	Bolt, M5	2	2												
22	54232	Nut, M5	2	2												
23	29469	Washer, M6 Flat	5	5												
24	805913	Volts Gauge	1	1												
25	202703	Strap, Battery	1	1												
26	805920	Oil Pressure Gauge	1	1												
27	805886	Indicator Light	1	1												
28	805887	Circuit Breaker 20 A	2	2												



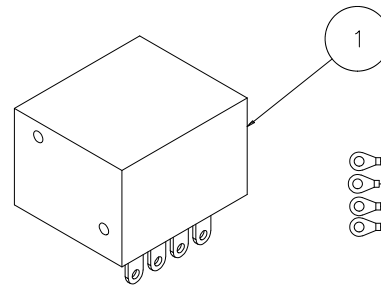
APPLY DI-ELECTRIC GREASE TO ALL ELECTRICAL CONNECTIONS

			QUANTITY / MODEL								11 CC 186			
1/1			K-D HAWK TACHOMETER OPTION											
ITEM	PART NO.	DESCRIPTION	30-2	40-2					30-4 H	40-4 H				
1	425514	Gauge, tachometer	1	1					1	1				
2	424359	Kit, tach mount	1	1					1	1				
3	424443	Kit, tach light	1	1					1	1				
4	805919	Plug	1	1					1	1				
5	805912	Socket	4	4					4	4				
6	805976	Harness, tachometer	1	1					1	1				

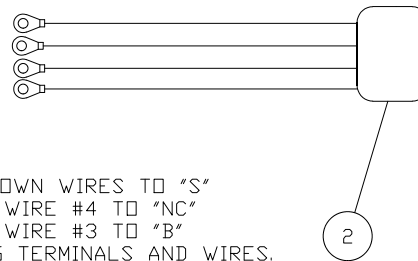
47.00



REPLACE CURRENT WATER TEMP AND ENGINE OIL PRESSURE GAUGES WITH 806347 & 806348.



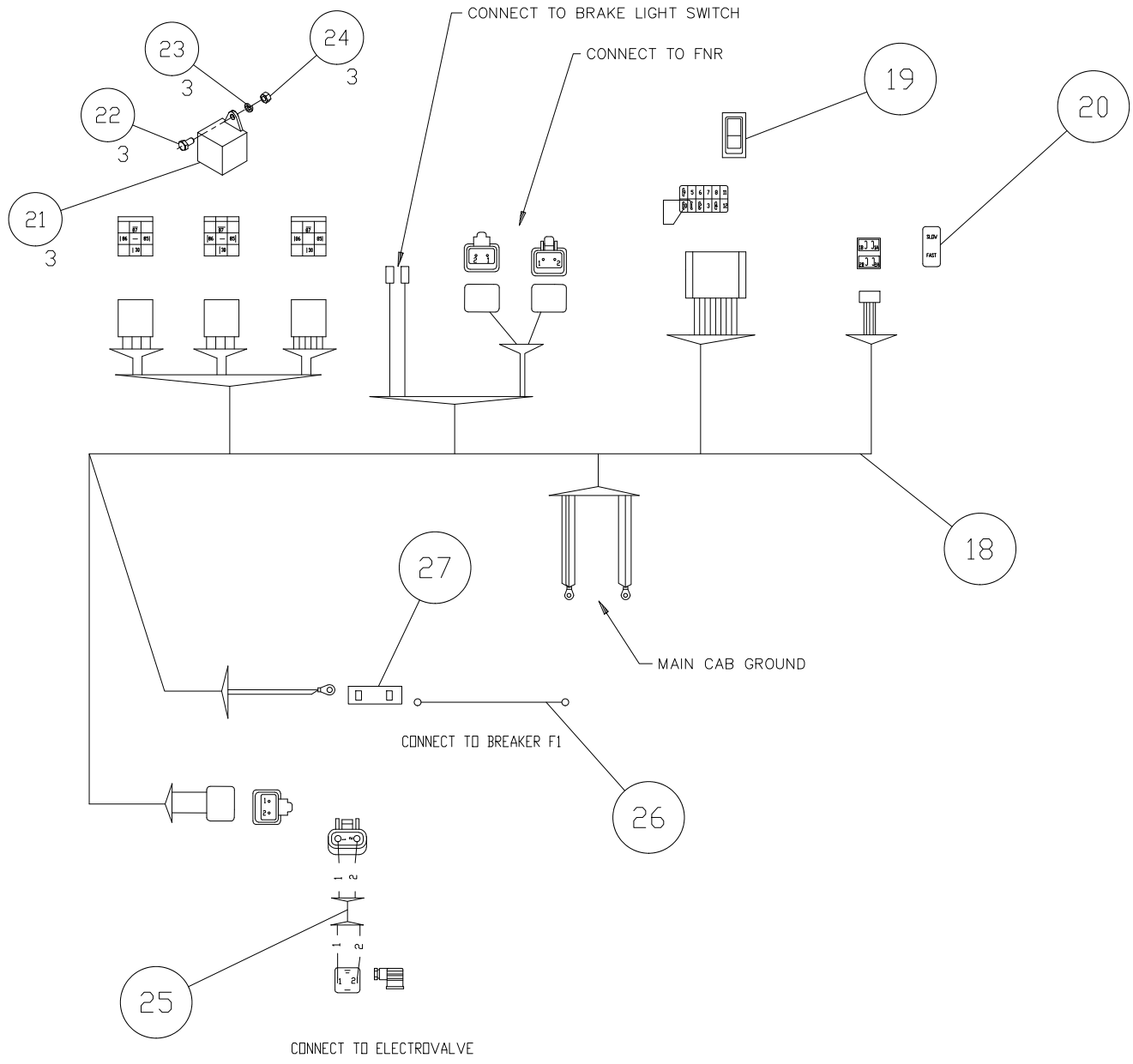
REMOVE JUMPER 805897 NEAR BREAKER BOX AND PLUG IN 806344. ZIP TIE JUMPER TO MAIN HARNESS.



CONNECT BOTH BROWN WIRES TO "S"
CONNECT YELLOW WIRE #4 TO "NC"
CONNECT YELLOW WIRE #3 TO "B"
HEAT SHRINK RING TERMINALS AND WIRES.
USE MOUNTING HOLE TEMPLATE SUPPLIED
WITH MAGNETIC SWITCH AND DRILL 2
HOLES IN BREAKER BOX COVER.

			QUANTITY / MODEL								11 CD 132			
1/1			K-D HAWK ENGINE SHUTDOWN KIT											
ITEM	PART NO.	DESCRIPTION	30-2	40-2				30-2 H	40-2 H					
1	806343	Engine shut down switch, magnetic	1	1				1	1					
2	806344	Harness assembly	1	1				1	1					
3	806347	Gauge assembly, water	1	1				1	1					
4	806348	Gauge assembly, oil	1	1				1	1					

48.00

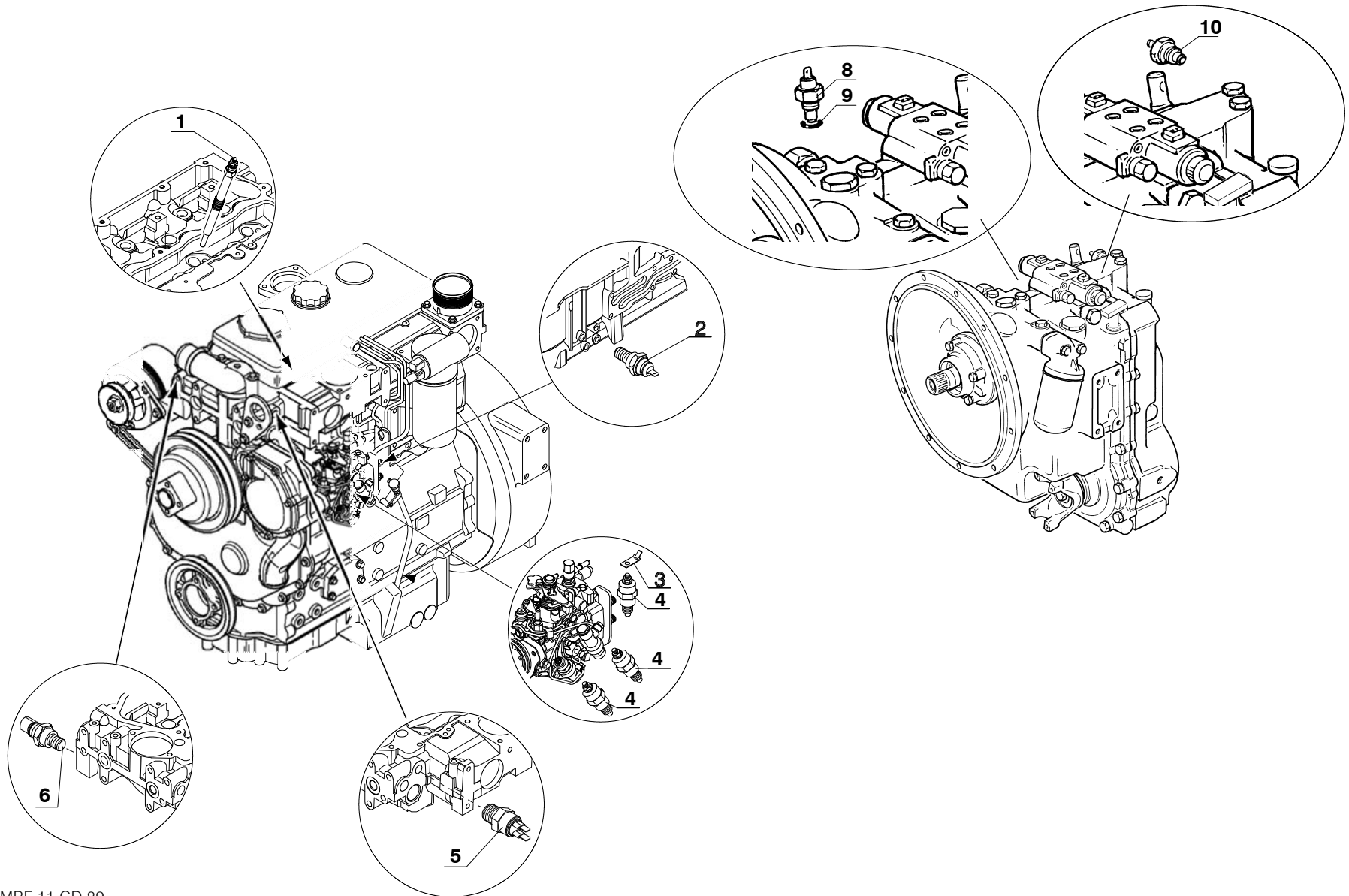


			QUANTITY / MODEL								11 CD 133							
1/1 K-D HAWK HYDROSTATIC GEARBOX SOLENOID HARNESS																		
ITEM	PART NO.	DESCRIPTION																
18	805954	Harness Assembly, 2 Speed Shifter																
19	805957	Switch, 2 speed																
20	805958	Indicator lights																
21	805878	Relay																
22	79533	Screw																
23	28959	Washer																
24	54232	Nut																
25	805924	Cable assembly																
26	805905	Jumper wire																
27	805888	Breaker, 10 amp																

49.00

K-D HAWK SENSORS, ENGINE AND TRANSMISSION

NOTE: ENGINE COMPONENTS SHOWN ARE FOR PERKINS ENGINES ONLY.
FOR CAT ENGINE COMPONENTS CONTACT YOUR NEAREST CATERPILLAR DEALER. FOR PERKINS
COMPONENTS NOT FOUND IN THIS PARTS MANUAL CONTACT YOUR NEAREST PERKINS DEALER.



			QUANTITY / MODEL								11 CD 130						
1/1			K-D HAWK SENSORS, ENGINE AND TRANSMISSION														
ITEM	PART NO.	DESCRIPTION	30-2	40-2				30-2 H	40-2 H								
1	605030	Heating plug	4	4				4	4								
2	106389	Engine oil pressure switch	1	1				1	1								
3	212065	Cable terminal	1	1				1	1								
4	702709	Electrovalve, starting	3	3				3	3								
5	702283	Water temp sensor	1	1				1	1								
6	702318	Water temp sensor	1	1				1	1								
8	552502	Oil temp sensor	1	1													
9	109657	O-ring	1	1													
10	549100	Transmission oil pressure switch	1	1													

50.00

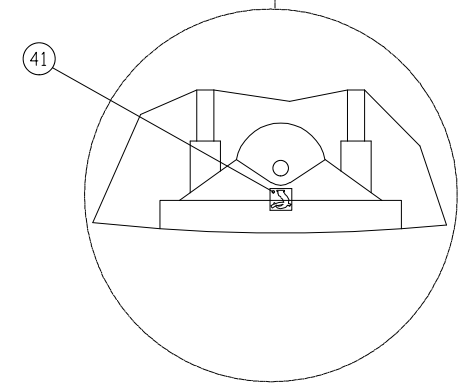
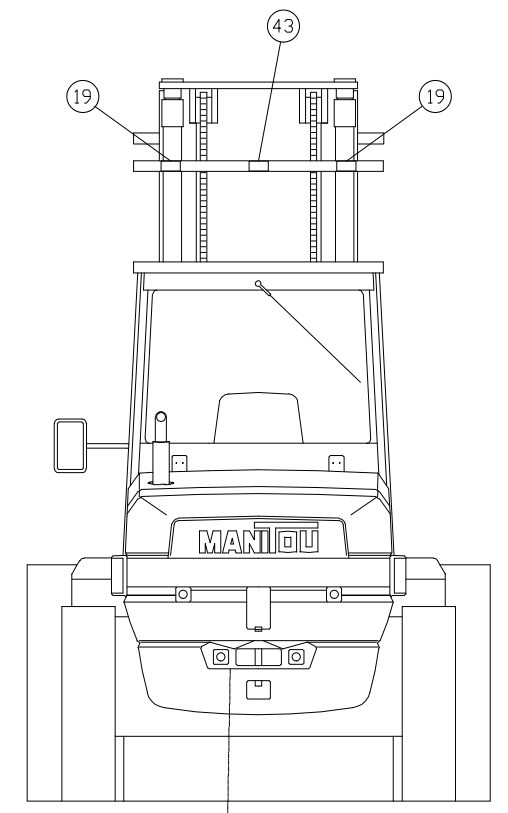
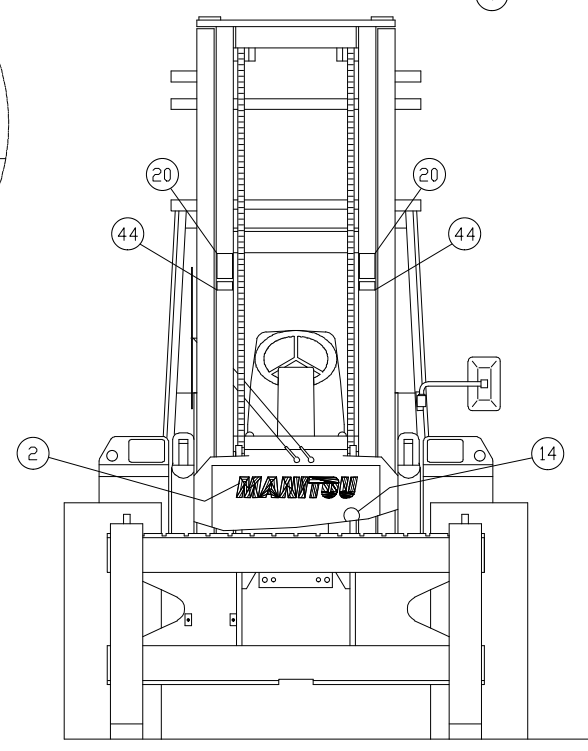
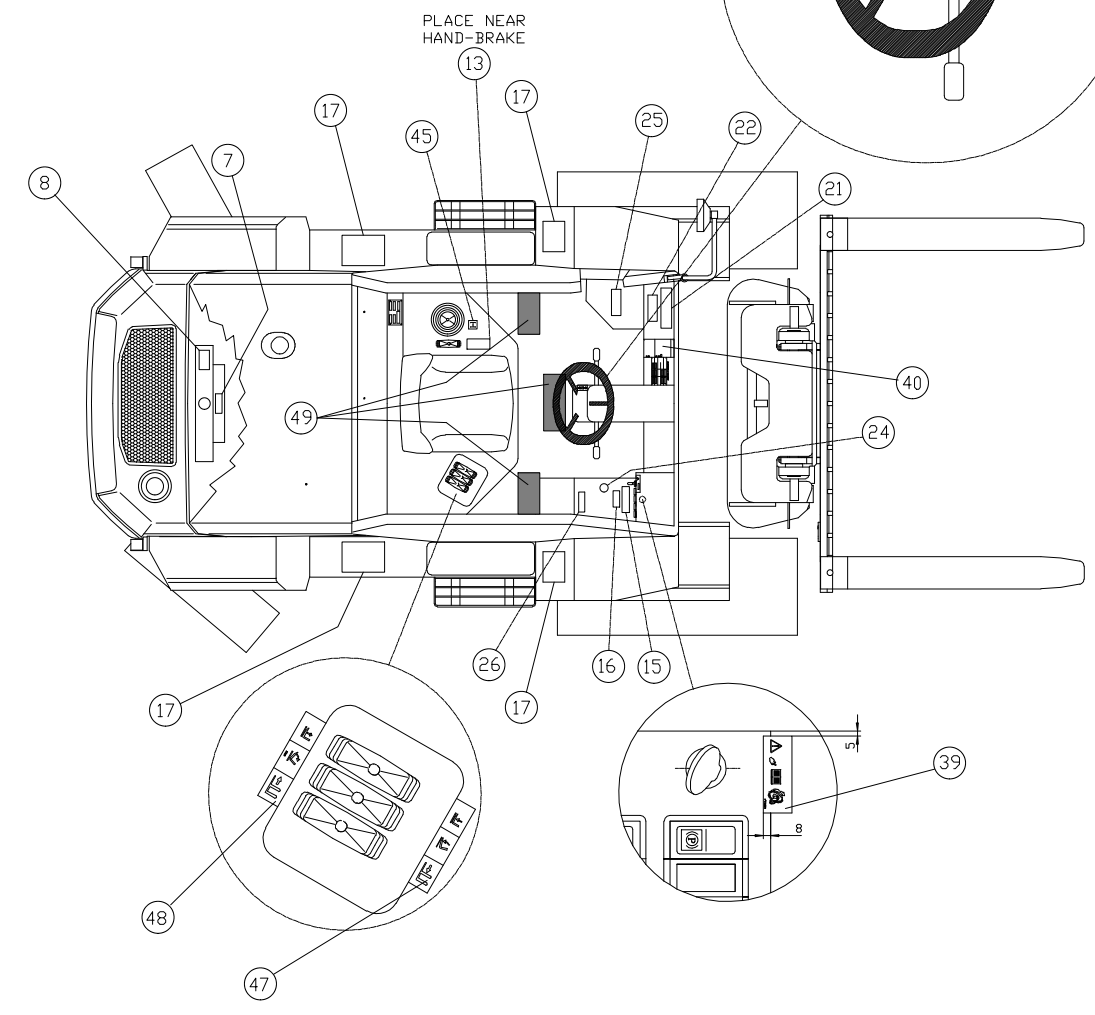
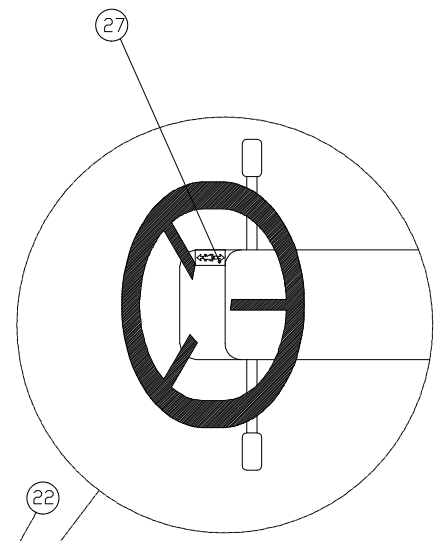
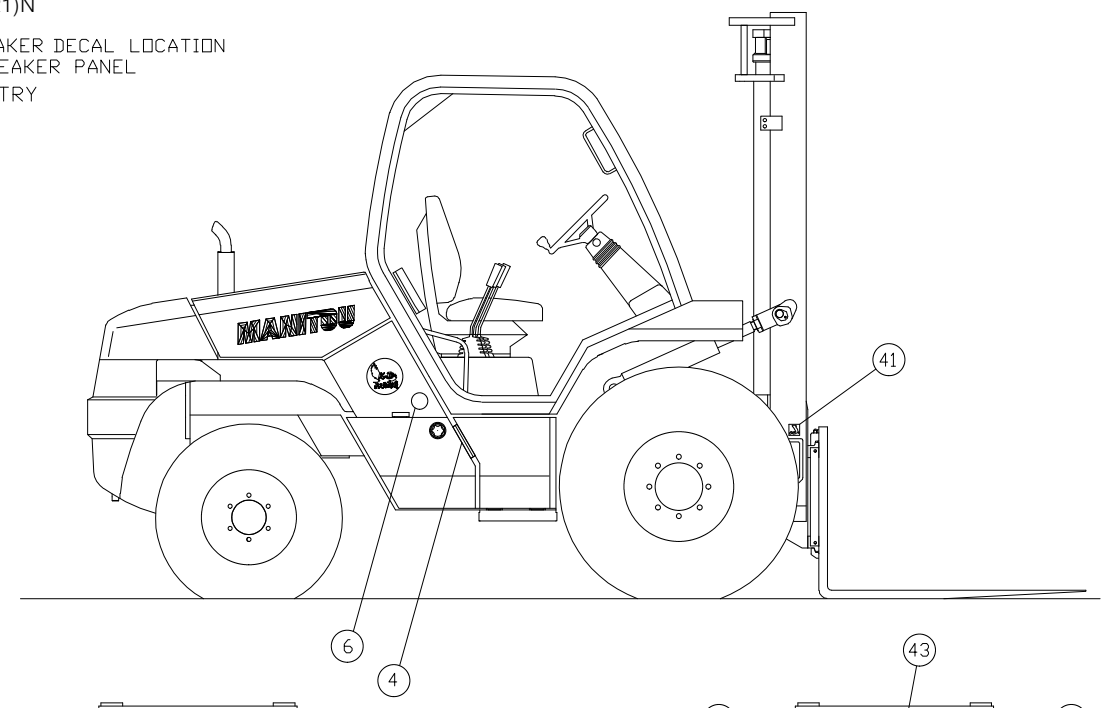
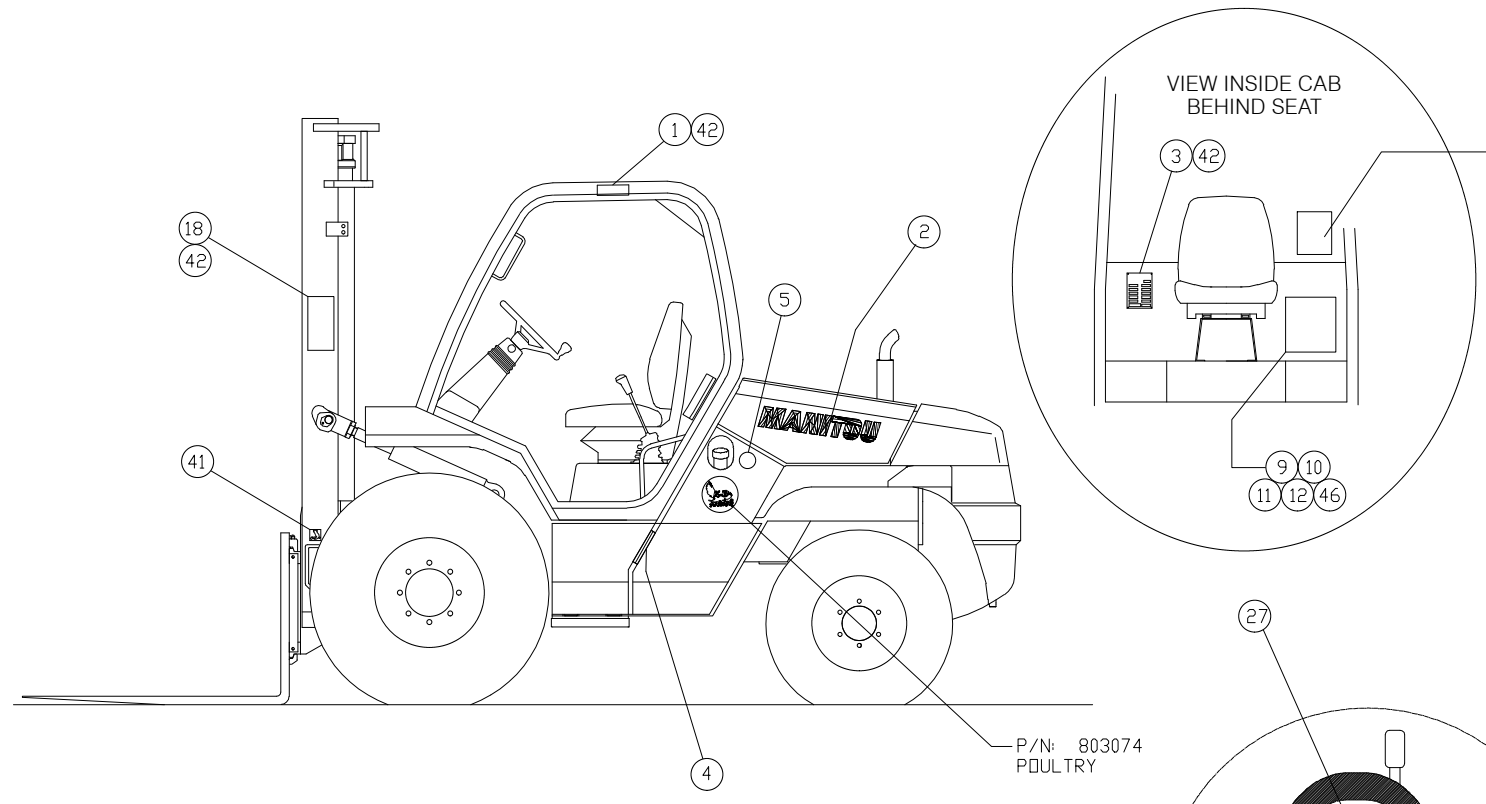
12 AA 461

K-D HAWK DECALS

30-2 40-2	30-4 40-4	30-2 H 40-2 H	30-4 H 40-4 H
--------------	--------------	------------------	------------------

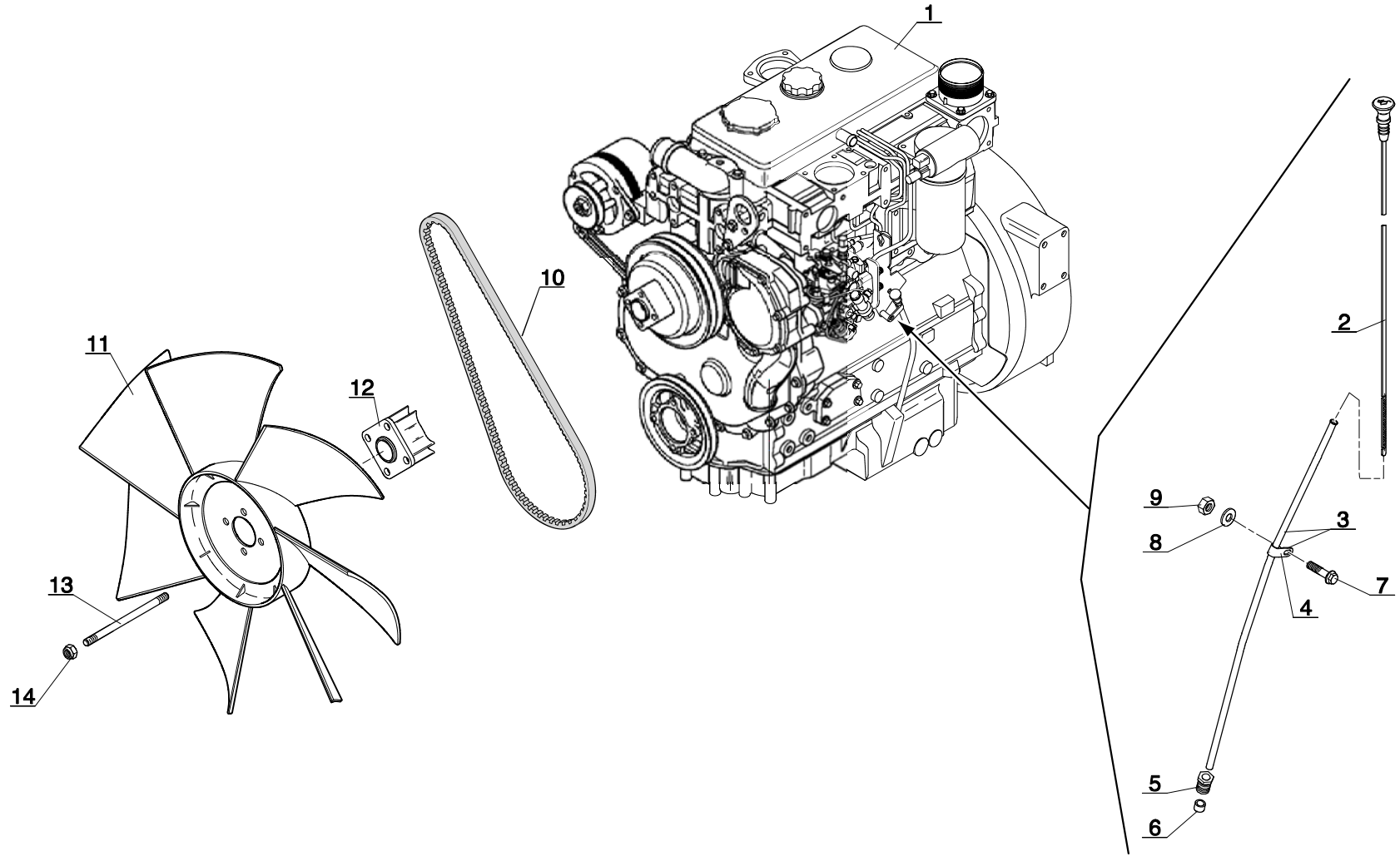
803121)N

REFERENCE BREAKER DECAL LOCATION
PLACE NEAR BREAKER PANEL
806332 - POULTRY



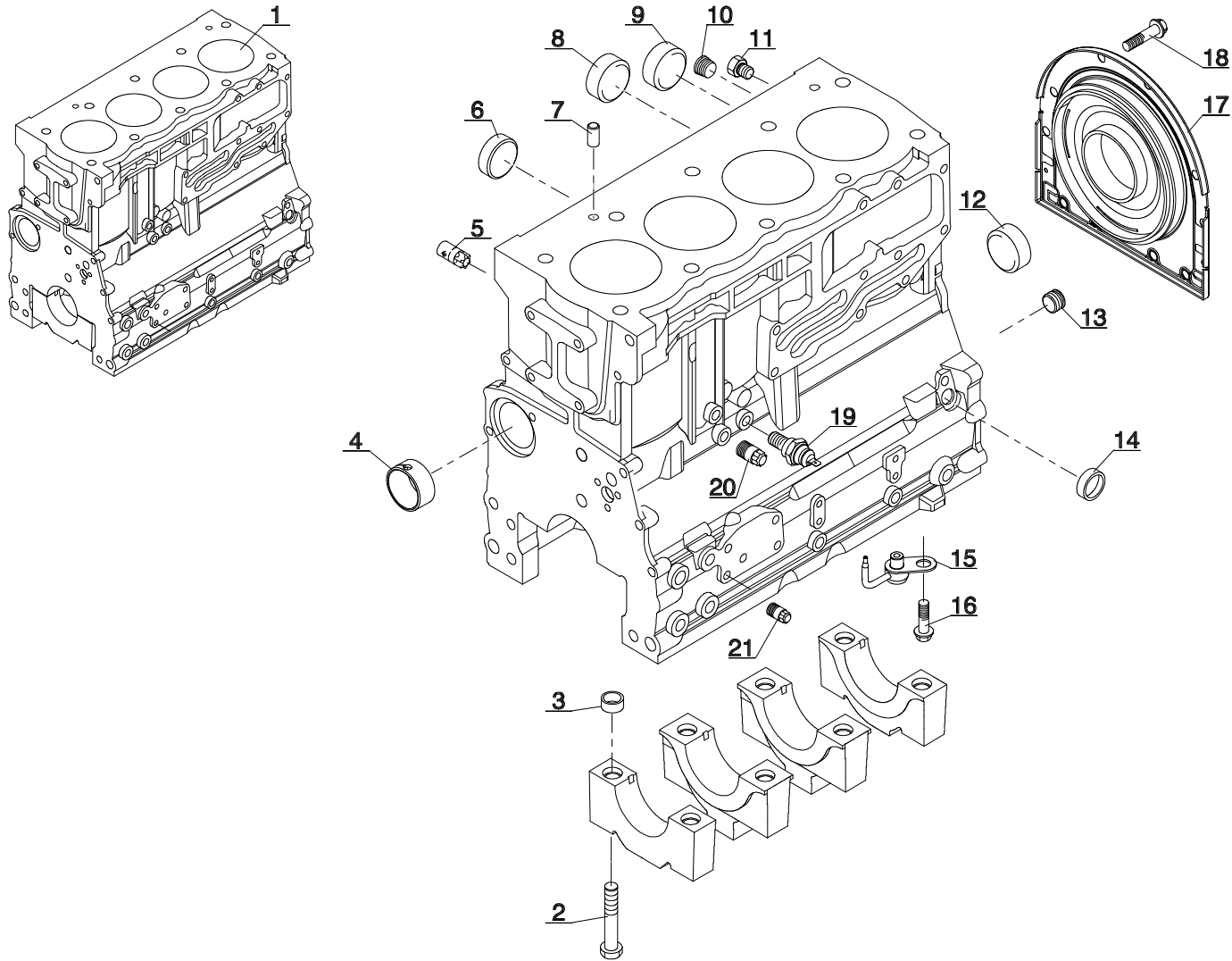
			QUANTITY / MODEL								12 AA 461			
1/2			K-D HAWK DECALS											
ITEM	PART NO.	DESCRIPTION	30-2	40-2				30-2 H	40-2 H					
1	B6109	OHG Capacity Plate	1	1				1	1					
2	804768	Decal, Adhesive Text, 'MANITOU'	3	3				3	3					
3	496538	Serial No. Data Plate	1	1				1	1					
4	420732	Decal, No Riders	2	2				2	2					
5	234802	Decal, Diesel Only	1	1				1	1					
6	234798	Decal, Hydraulic Oil	1	1				1	1					
7	423398	Decal, Fan Shroud	1	1				1	1					
8	234799	Decal, Anti-freeze	1	1				1	1					
9	420772	Cable, Catalog	1	1				1	1					
10	420774	Case, Literature	1	1				1	1					
11	802833	Operator/Owners Manual	1	1				1	1					
12	420792	Decal, Before You Operate	1	1				1	1					
13	496143	Decal, Park Brake	1	1				1	1					
14	164091	Decal, Brake Fluid	1	1				1	1					
15	M0000207	Decal, Caution	1	1				1	1					
16	494918	Decal, Push/Tow Warning						1	1					
17	496735	Decal, No Step	4	4				4	4					
18	R2016	Plate, Serial Number	1	1				1	1					
19	426643	Decal, Pinch Point (Large)	2	2				2	2					
20	B6108	Decal, Fork Warning	2	2				2	2					
21	423397	Decal, To Protect Engine	1	1				1	1					
22	493481	Decal, USA	1	1				1	1					
24	496162	Decal, Back-up	1	1				1	1					
25	B6143	Decal, Tilt Warning	1	1				1	1					
26	491779	Decal, Warning	1	1				1	1					
27	76571	Decal, F-N-R	1	1				1	1					

NOTE: ENGINE COMPONENTS SHOWN ARE FOR PERKINS ENGINES - EXCEPT AS NOTED*.
FOR COMPLETE CAT ENGINE SEE ITEM 1B ON THE FOLLOWING PAGE, FOR ALL OTHER ENGINE COM-
PONENTS CONTACT YOUR NEAREST CATERPILLAR DEALER
FOR PERKINS COMPONENTS NOT FOUND IN THIS PARTS MANUAL CONTACT YOUR NEAREST PERKINS
DEALER.



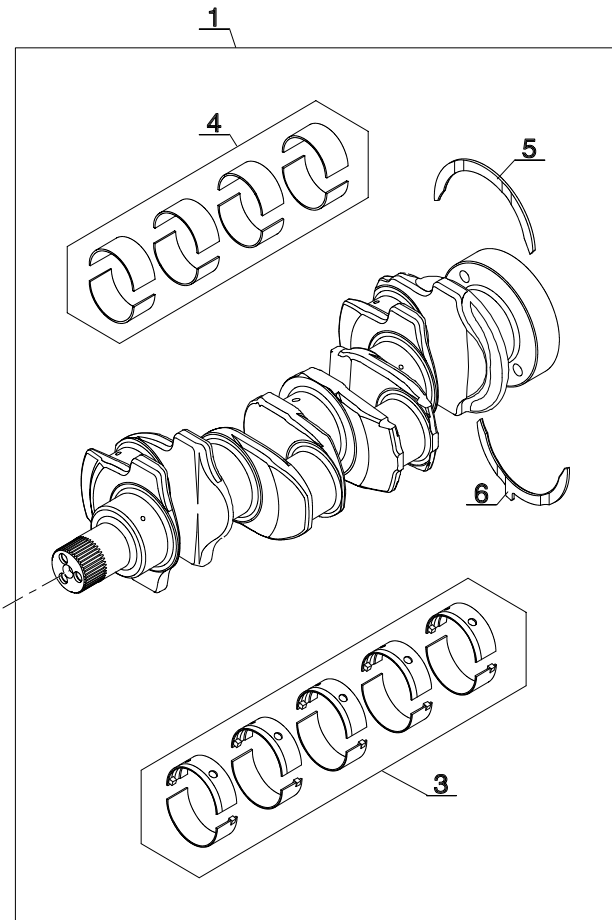
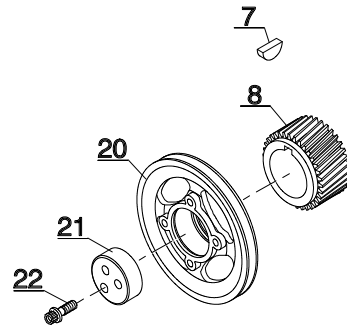
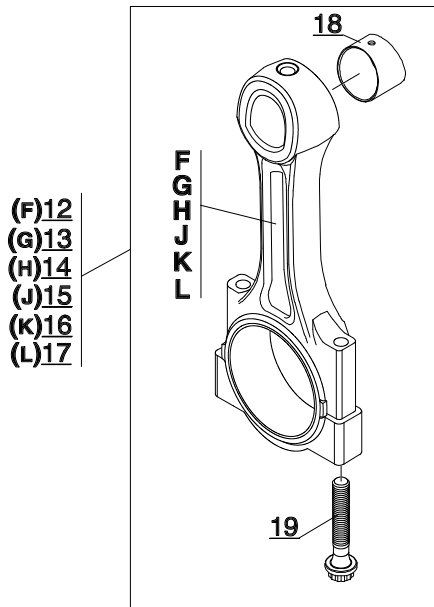
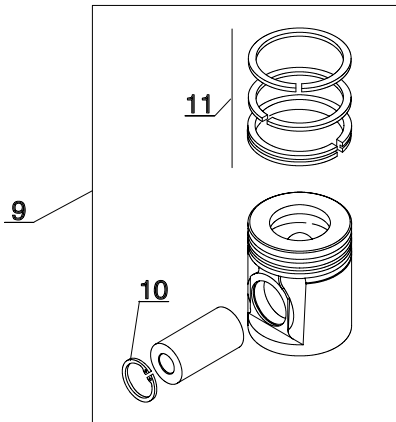
			QUANTITY / MODEL								AP 1842			
1/1			K-D HAWK ENGINE, COMPLETE											
ITEM	PART NO.	DESCRIPTION	30-2	40-2				30-2 H	40-2 H					
1	247475	Complete Engine, Perkins 1104C-44	1	1				1	1					
1	804136	Complete Engine, Caterpillar 207-1108	1	1				1	1					
2	702287	Dipstick	1	1				1	1					
3	702286	Tube	1	1				1	1					
4	702289	Clamp	1	1				1	1					
5	474059	Nut	1	1				1	1					
6	474060	O-ring	1	1				1	1					
7	25713	Screw	1	1				1	1					
8	189857	Washer	1	1				1	1					
9	162229	Nut	1	1				1	1					
10*	702494	Belt	1	1				1	1					
11*	804571	Fan	1	1				1	1					
12	804373	Spacer, fan	1	1				1	1					
13	552414	Stud	4	4				4	4					
14	551662	Nut	4	4				4	4					
		* Used on Perkins and Cat engines.												

NOTE: ENGINE COMPONENTS SHOWN ARE FOR PERKINS ENGINES.
 FOR CAT ENGINE COMPONENTS CONTACT YOUR NEAREST CATERPILLAR DEALER.
 FOR PERKINS COMPONENTS NOT FOUND IN THIS PARTS MANUAL CONTACT YOUR NEAREST PERKINS DEALER.



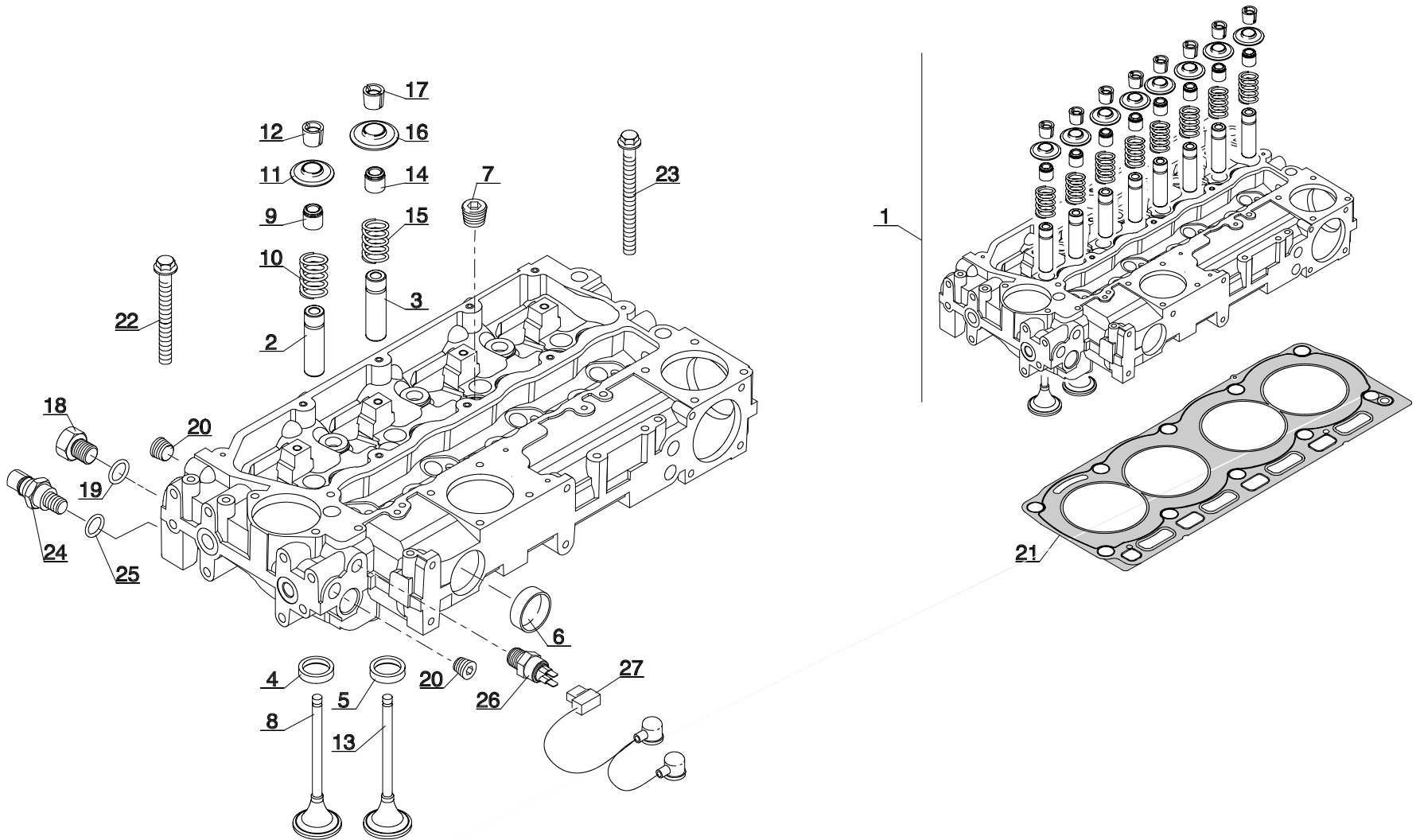
			QUANTITY / MODEL								AP 1554				
1/1 <i>K-D HAWK</i> ENGINE, CYLINDER BLOCK			30-4	40-4				30-4 H	40-4 H						
ITEM	PART NO.	DESCRIPTION	30-2	40-2				30-2 H	40-2 H						
1	702279	Cylinder block	1	1				1	1						
2	138222	Screw	10	10				10	10						
3	133831	Spacer	10	10				10	10						
4	604879	Bushing	1	1				1	1						
5	604885	Plug	1	1				1	1						
6	604884	Plug	1	1				1	1						
7	563532	Centering pin	2	2				2	2						
8	604881	Plug	2	2				2	2						
9	139365	Plug	1	1				1	1						
10	133655	Plug	1	1				1	1						
11	604883	Plug	2	2				2	2						
12	604880	Plug	1	1				1	1						
13	604882	Plug	1	1				1	1						
14	604889	Plug	1	1				1	1						
15	604886	Fuel jet	4	4				4	4						
16	474138	Screw	4	4				4	4						
17	604887	Housing	1	1				1	1						
18	604888	Screw	10	10				10	10						
19	106389	Oil press switch	1	1				1	1						
20	702652	Plug	1	1				1	1						
21	702657	Plug	4	4				4	4						

NOTE: ENGINE COMPONENTS SHOWN ARE FOR PERKINS ENGINES.
 FOR CAT ENGINE COMPONENTS CONTACT YOUR NEAREST CATERPILLAR DEALER.
 FOR PERKINS COMPONENTS NOT FOUND IN THIS PARTS MANUAL CONTACT YOUR NEAREST PERKINS DEALER.



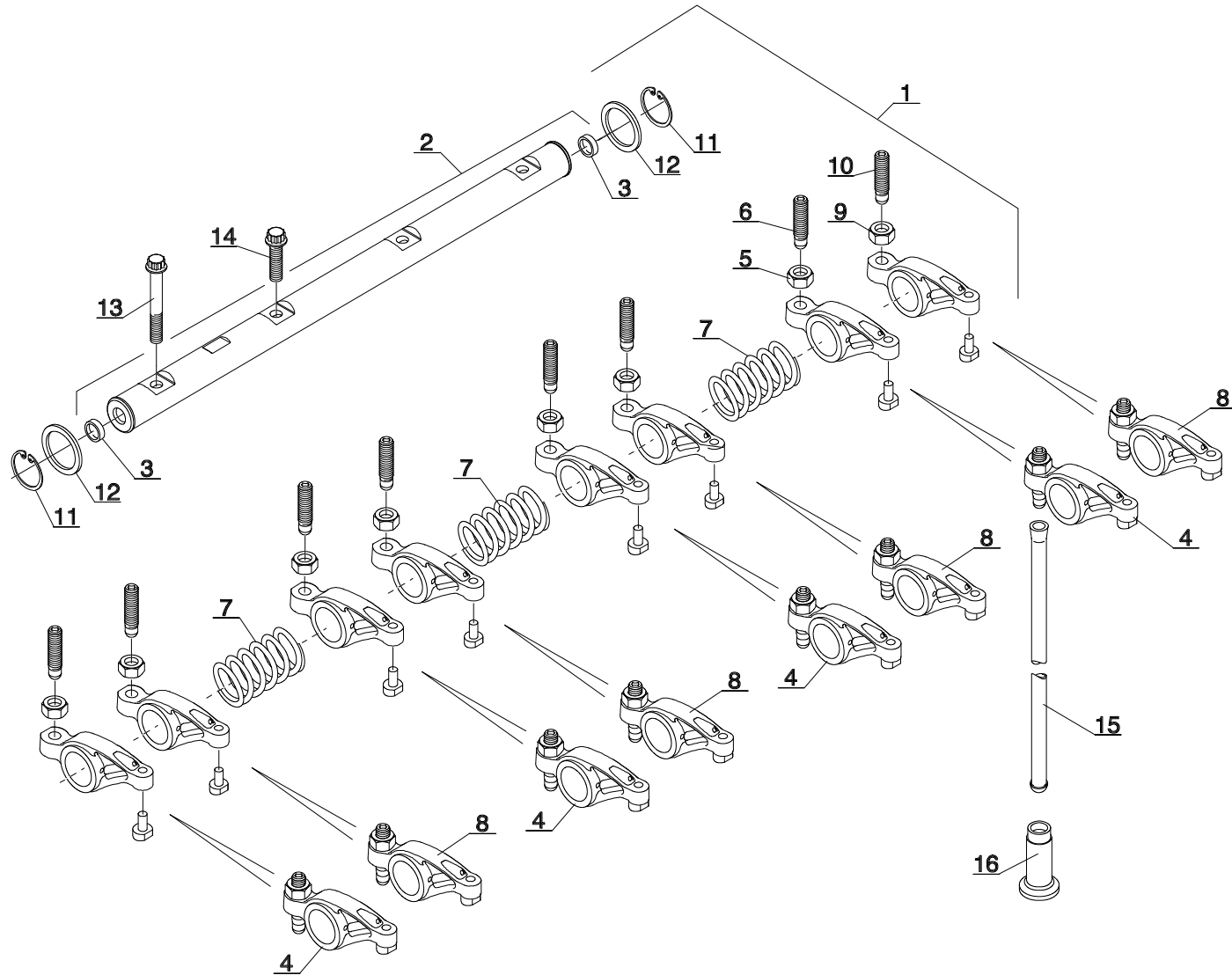
			QUANTITY / MODEL								AP 1555			
1/1 K-D HAWK ENGINE, CRANKSHAFT			30-4	40-4					30-4 H	40-4 H				
ITEM	PART NO.	DESCRIPTION	30-2	40-2					30-2 H	40-2 H				
1	604893	Crankshaft	1	1					1	1				
3	604894	Main bearing set (standard)	1	1					1	1				
3	604895	Main bearing set (+.010 in.)	A/R	A/R					A/R	A/R				
3	604896	Main bearing set (+.020 in.)	A/R	A/R					A/R	A/R				
3	604897	Main bearing set (+.030 in.)	A/R	A/R					A/R	A/R				
4	604898	Rod bearing set (standard)	1	1					1	1				
4	604899	Rod bearing set (+.010 in.)	A/R	A/R					A/R	A/R				
4	604900	Rod bearing set (+.020 in.)	A/R	A/R					A/R	A/R				
4	604901	Rod bearing set (+.030 in.)	A/R	A/R					A/R	A/R				
5	109834	Spacer (standard)	1	1					1	1				
5	133768	Spacer (+.007 in.)	A/R	A/R					A/R	A/R				
6	109835	Spacer (standard)	1	1					1	1				
6	133770	Spacer (+.007 in.)	A/R	A/R					A/R	A/R				
7	133636	Key	1	1					1	1				
8	604912	Gear	1	1					1	1				
9	604902	Piston	4	4					4	4				
10	563226	Circlip	2	2					2	2				
11	604903	Piston ring kit	1	1					1	1				
12	604904	Connecting rod (F)	4	4					4	4				
13	604905	Connecting rod (G)	4	4					4	4				
14	604906	Connecting rod (H)	4	4					4	4				
15	604907	Connecting rod (J)	4	4					4	4				
16	604908	Connecting rod (K)	4	4					4	4				
17	604909	Connecting rod (L)	4	4					4	4				
18	604910	Bushing	1	1					1	1				
19	604911	Screw	2	2					2	2				
20	702618	Pulley	1	1					1	1				
21	474037	Spacer	1	1					1	1				
22	474038	Screw	3	3					3	3				

NOTE: ENGINE COMPONENTS SHOWN ARE FOR PERKINS ENGINES.
 FOR CAT ENGINE COMPONENTS CONTACT YOUR NEAREST CATERPILLAR DEALER.
 FOR PERKINS COMPONENTS NOT FOUND IN THIS PARTS MANUAL CONTACT YOUR NEAREST PERKINS DEALER.



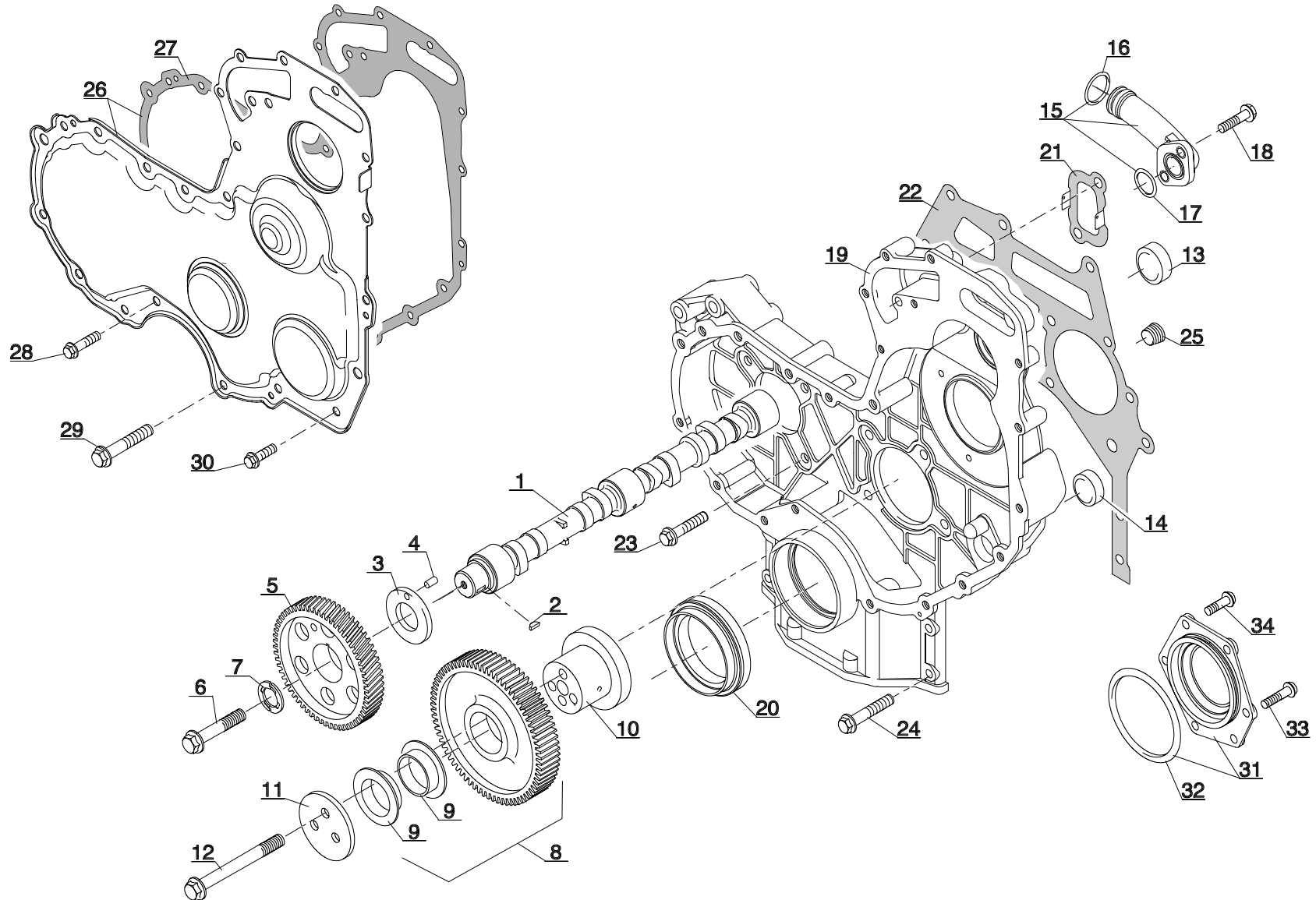
			QUANTITY / MODEL								AP 1556				
1/1 K-D HAWK ENGINE, CYLINDER HEAD			30-4	40-4				30-4 H	40-4 H						
ITEM	PART NO.	DESCRIPTION	30-2	40-2				30-2 H	40-2 H						
1	604913	Cylinder head, complete	1	1				1	1						
2	563233	Guide	4	4				4	4						
3	563233	Guide	4	4				4	4						
4	604914	Bushing, intake	4	4				4	4						
5	604915	Bushing, exhaust	4	4				4	4						
6	474101	Plug	2	2				2	2						
7	133655	Plug	4	4				4	4						
8	604916	Intake valve	4	4				4	4						
9	604917	Seal	4	4				4	4						
10	604918	Spring	4	4				4	4						
11	604919	Cap	4	4				4	4						
12	563237	Cotter	8	8				8	8						
13	604920	Exhaust valve	4	4				4	4						
14	604917	Seal	4	4				4	4						
15	604918	Spring	4	4				4	4						
16	604919	Cap	4	4				4	4						
17	563237	Cotter	8	8				8	8						
18	604921	Plug	1	1				1	1						
19	604922	O-ring	1	1				1	1						
20	133739	Plug	2	2				2	2						
21	702553	Cylinder head gasket	1	1				1	1						
22	604924	Screw	7	7				7	7						
23	604925	Screw	3	3				3	3						
24	702318	Water temp sensor	1	1				1	1						
25	604922	O-ring	1	1				1	1						
26	702283	Water temp sensor	1	1				1	1						
27	604929	Wiring harness	1	1				1	1						

NOTE: ENGINE COMPONENTS SHOWN ARE FOR PERKINS ENGINES.
 FOR CAT ENGINE COMPONENTS CONTACT YOUR NEAREST CATERPILLAR DEALER.
 FOR PERKINS COMPONENTS NOT FOUND IN THIS PARTS MANUAL CONTACT YOUR NEAREST PERKINS DEALER.



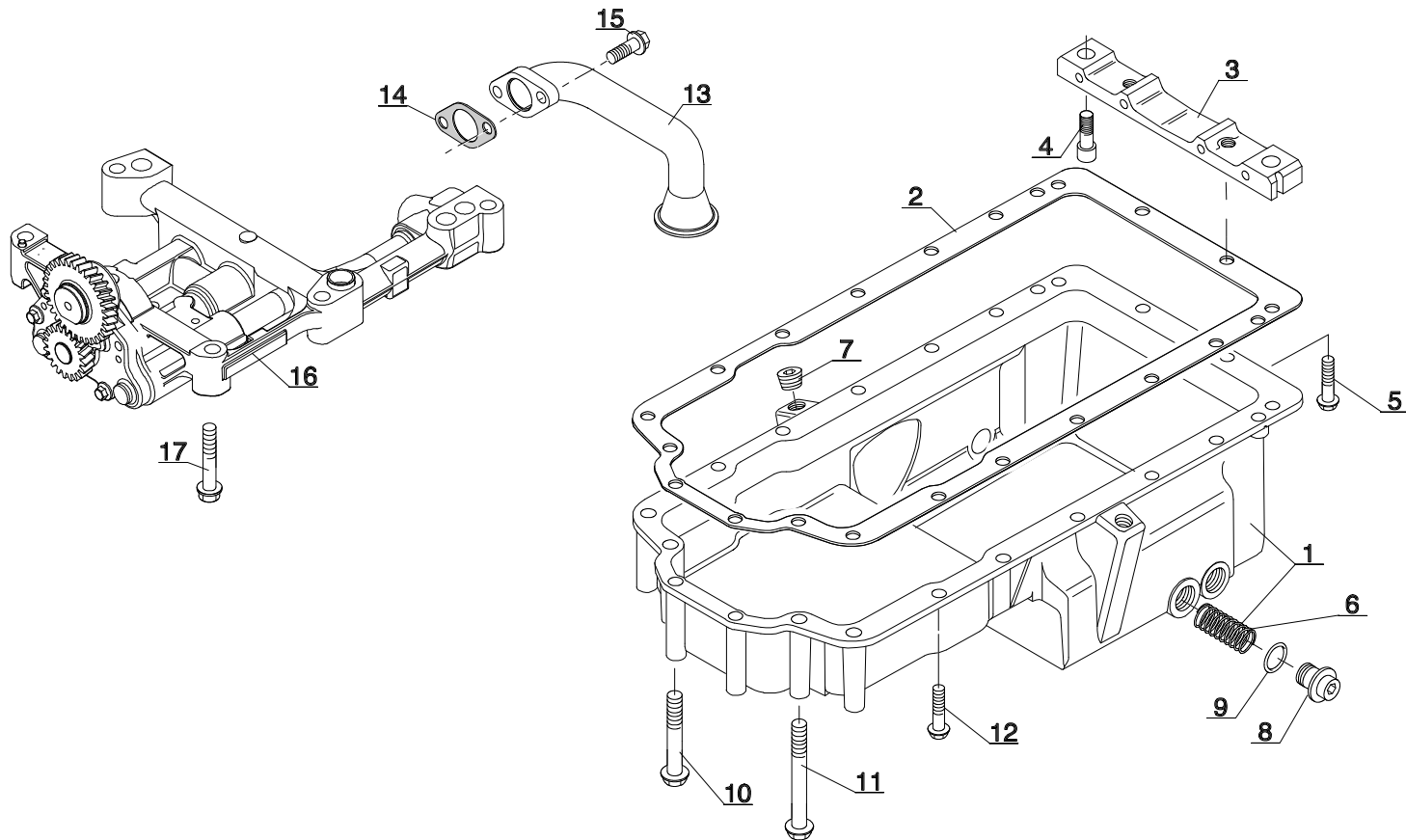
			QUANTITY / MODEL								AP 1557			
1/1			K-D HAWK ENGINE, ROCKER ARMS											
ITEM	PART NO.	DESCRIPTION	30-2	40-2				30-2 H	40-2 H					
1	604930	Rocker assembly, complete	1	1				1	1					
2	604931	Shaft	1	1				1	1					
3	604932	Plug	2	2				2	2					
4	604935	Rocker, exhaust	4	4				4	4					
5	133641	Nut	1	1				1	1					
6	133658	Screw	1	1				1	1					
7	604934	Spring	3	3				3	3					
8	604933	Rocker lever, intake	4	4				4	4					
9	133641	Nut	1	1				1	1					
10	133658	Screw	1	1				1	1					
11	604936	Circlip	2	2				2	2					
12	604937	Washer	2	2				2	2					
13	604938	Screw	1	1				1	1					
14	604939	Screw	3	3				3	3					
15	133793	Rod	8	8				8	8					
16	133792	Valve tappet	8	8				8	8					

NOTE: ENGINE COMPONENTS SHOWN ARE FOR PERKINS ENGINES.
FOR CAT ENGINE COMPONENTS CONTACT YOUR NEAREST CATERPILLAR DEALER.
FOR PERKINS COMPONENTS NOT FOUND IN THIS PARTS MANUAL CONTACT YOUR NEAREST PERKINS DEALER.



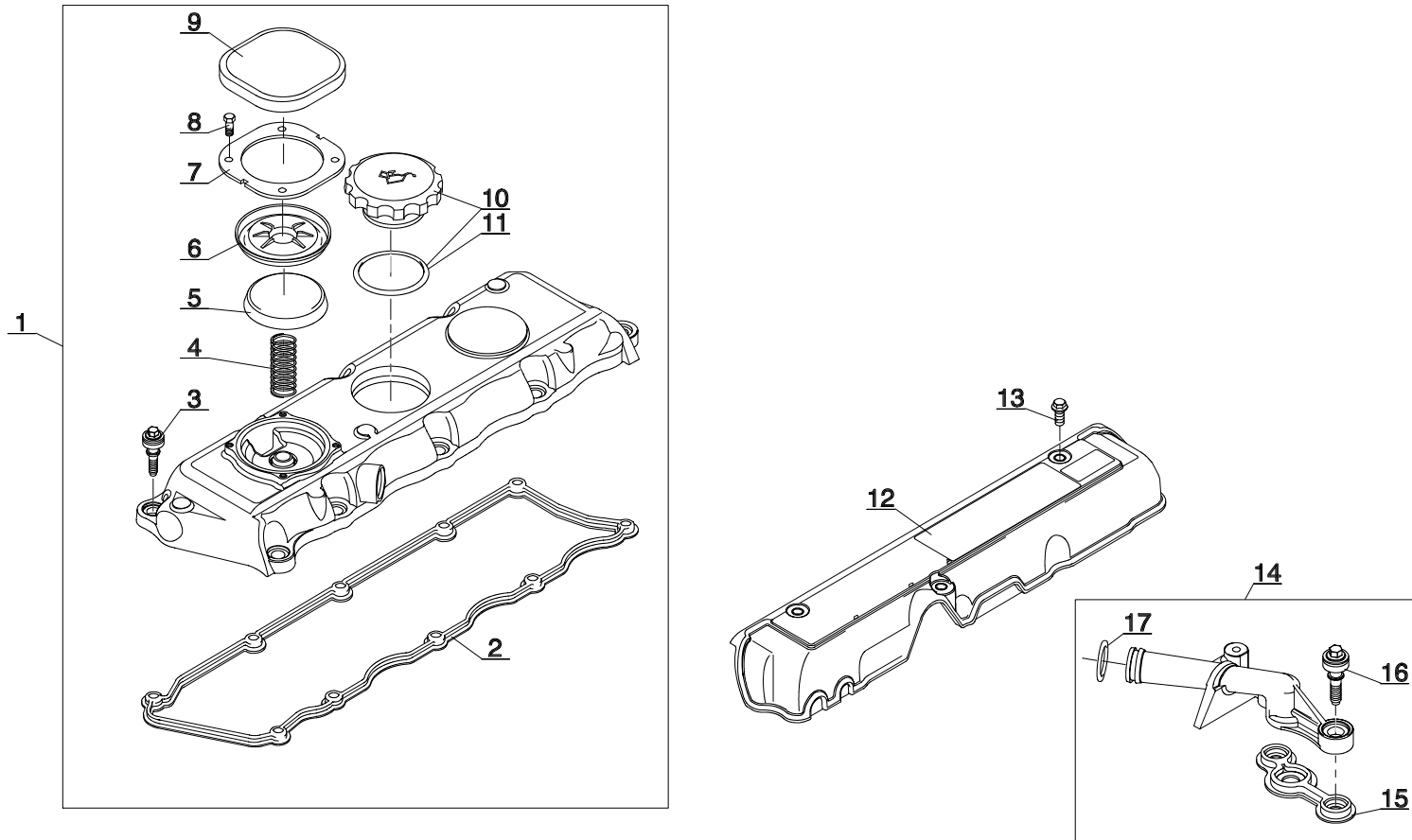
			QUANTITY / MODEL								AP 1558			
1/2			K-D HAWK ENGINE, TIMING GEAR AND CAM											
ITEM	PART NO.	DESCRIPTION	30-2	40-2					30-2 H	40-2 H				
1	604940	Camshaft	1	1					1	1				
2	133636	Key	1	1					1	1				
3	474007	Washer	1	1					1	1				
4	133714	Pin	1	1					1	1				
5	604950	Gear	1	1					1	1				
6	473297	Screw	1	1					1	1				
7	702007	Washer	1	1					1	1				
8	702309	Gear	1	1					1	1				
9	133574	Bushing	2	2					2	2				
10	133845	Hub	1	1					1	1				
11	133713	Plate	1	1					1	1				
12	473289	Screw	3	3					3	3				
13	604941	Plug	1	1					1	1				
14	604942	Plug	1	1					1	1				
15	604943	Connection	1	1					1	1				
16	604944	O-ring	1	1					1	1				
17	604945	O-ring	1	1					1	1				
18	107363	Screw	2	2					2	2				
19	702308	Housing	1	1					1	1				
20	107349	Seal	1	1					1	1				
21	604948	Gasket	1	1					1	1				
22	604949	Gasket	1	1					1	1				
23	107363	Screw	8	8					8	8				
24	474005	Screw	4	4					4	4				
25	133739	Plug	1	1					1	1				
26	702310	Housing/gasket	1	1					1	1				
27	702311	Gasket	1	1					1	1				
28	474064	Screw	9	9					9	9				

NOTE: ENGINE COMPONENTS SHOWN ARE FOR PERKINS ENGINES.
 FOR CAT ENGINE COMPONENTS CONTACT YOUR NEAREST CATERPILLAR DEALER.
 FOR PERKINS COMPONENTS NOT FOUND IN THIS PARTS MANUAL CONTACT YOUR NEAREST PERKINS DEALER.



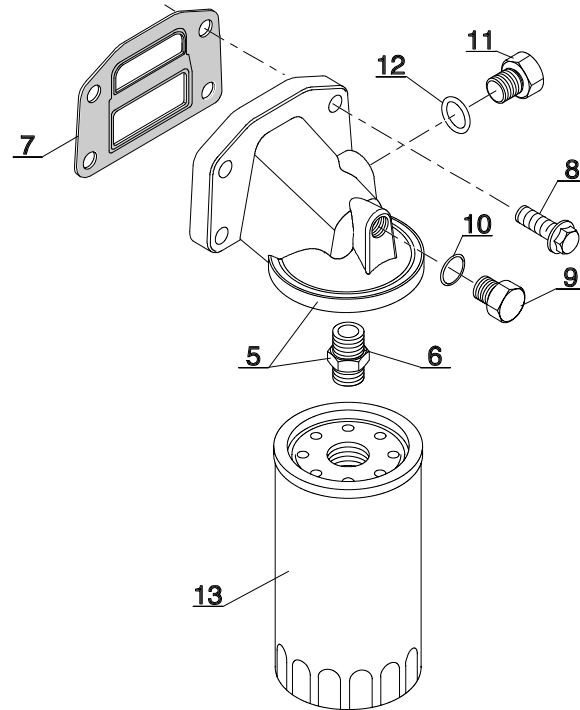
			QUANTITY / MODEL								AP 1559				
			30-4	40-4				30-4 H	40-4 H						
1/1 <i>K-D HAWK</i> ENGINE, OIL PUMP AND PAN															
ITEM	PART NO.	DESCRIPTION	30-2	40-2				30-2 H	40-2 H						
1	702025	Oil pan	1	1				1	1						
2	702080	Gasket	1	1				1	1						
3	604954	Bridge	1	1				1	1						
4	474056	Screw	2	2				2	2						
5	473955	Screw	2	2				2	2						
6	139495	Spring	2	2				2	2						
7	548898	Plug	1	1				1	1						
8	473309	Plug	2	2				2	2						
9	474129	O-ring	2	2				2	2						
10	475201	Screw	4	4				4	4						
11	475201	Screw	2	2				2	2						
12	107363	Screw	12	12				12	12						
13	702291	Pipe	1	1				1	1						
14	477781	Seal	1	1				1	1						
15	473986	Screw	2	2				2	2						
16	702008	Oil pump	1	1				1	1						
17	473988	Screw	1	1				1	1						

NOTE: ENGINE COMPONENTS SHOWN ARE FOR PERKINS ENGINES.
 FOR CAT ENGINE COMPONENTS CONTACT YOUR NEAREST CATERPILLAR DEALER.
 FOR PERKINS COMPONENTS NOT FOUND IN THIS PARTS MANUAL CONTACT YOUR NEAREST PERKINS DEALER.



			QUANTITY / MODEL								AP 1560			
1/1 K-D HAWK ENGINE, ROCKER ARM COVER AND BREATHER			30-4	40-4					30-4 H	40-4 H				
ITEM	PART NO.	DESCRIPTION	30-2	40-2					30-2 H	40-2 H				
1	604957	Rocker arm cover, complete	1	1					1	1				
2	604958	Seal	1	1					1	1				
3	604959	Screw	10	10					10	10				
4	604960	Spring	1	1					1	1				
5	604961	Plug	1	1					1	1				
6	604962	Diaphragm	1	1					1	1				
7	604963	Fastening plate	1	1					1	1				
8	604964	Screw	4	4					4	4				
9	604965	Cover	1	1					1	1				
10	550493	Filling plug	1	1					1	1				
11	603891	O-ring	1	1					1	1				
12	604966	Cover	1	1					1	1				
13	474018	Screw	3	3					3	3				
14	604967	Air breather	1	1					1	1				
15	604968	Seal	1	1					1	1				
16	604959	Screw	2	2					2	2				
17	604969	O-ring	1	1					1	1				

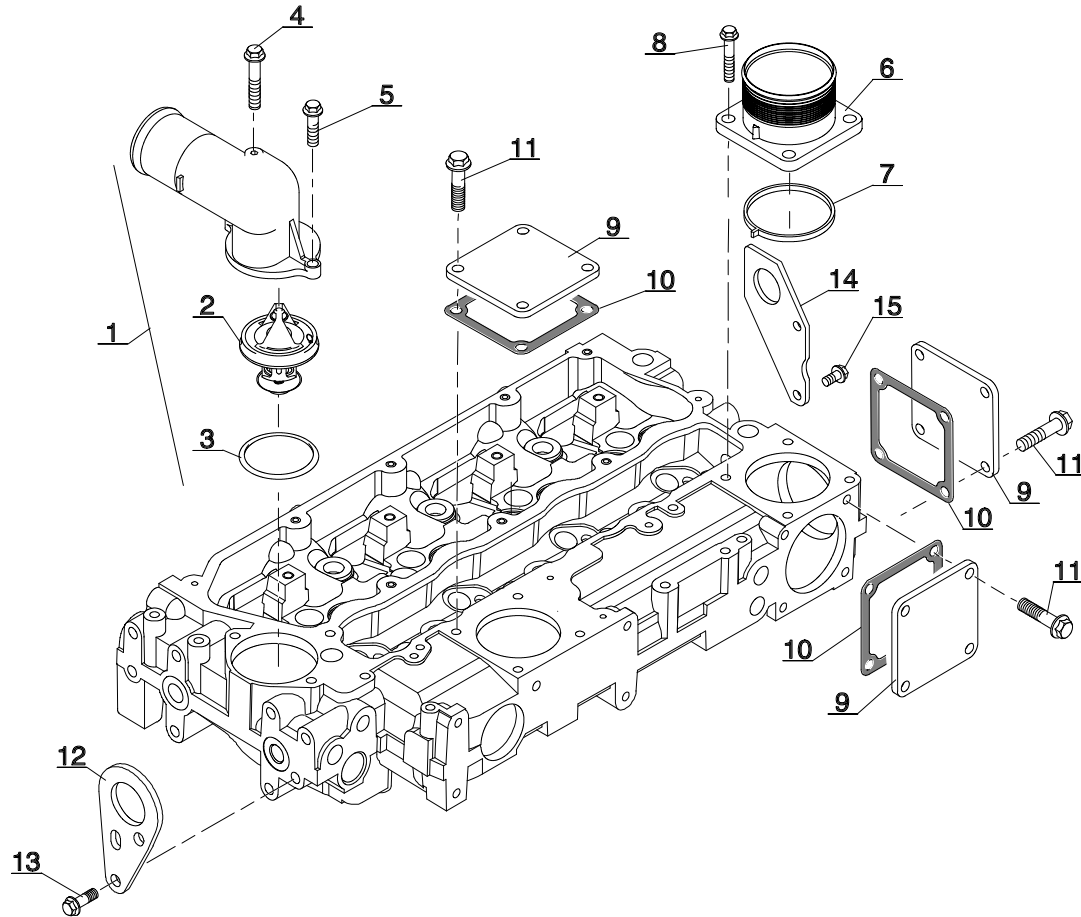
NOTE: ENGINE COMPONENTS SHOWN ARE FOR PERKINS ENGINES.
FOR CAT ENGINE COMPONENTS CONTACT YOUR NEAREST CATERPILLAR DEALER.
FOR PERKINS COMPONENTS NOT FOUND IN THIS PARTS MANUAL CONTACT YOUR NEAREST PERKINS DEALER.



			QUANTITY / MODEL								AP 1561				
			30-4	40-4				30-4 H	40-4 H						
1/1	K-D HAWK ENGINE, OIL FILTER BRACKET														
ITEM	PART NO.	DESCRIPTION	30-2	40-2				30-2 H	40-2 H						
5	604972	Filter head	1	1				1	1						
6	550507	Connection	1	1				1	1						
7	604973	Gasket	1	1				1	1						
8	474005	Screw	4	4				4	4						
9	604974	Plug	1	1				1	1						
10	604975	O-ring	1	1				1	1						
11	604976	Plug	1	1				1	1						
12	604977	O-ring	1	1				1	1						
13	476954	Oil filter	1	1				1	1						

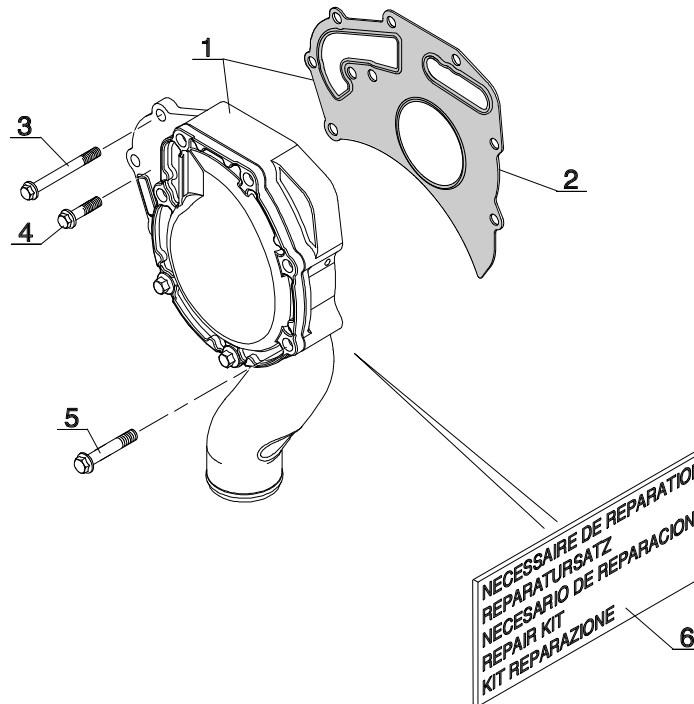
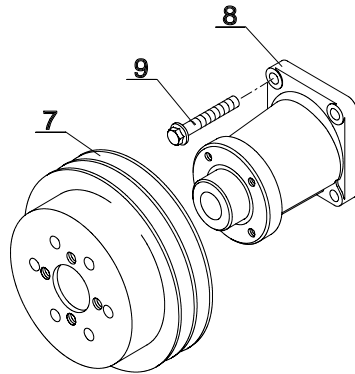
60.00

NOTE: ENGINE COMPONENTS SHOWN ARE FOR PERKINS ENGINES.
 FOR CAT ENGINE COMPONENTS CONTACT YOUR NEAREST CATERPILLAR DEALER.
 FOR PERKINS COMPONENTS NOT FOUND IN THIS PARTS MANUAL CONTACT YOUR NEAREST PERKINS DEALER.



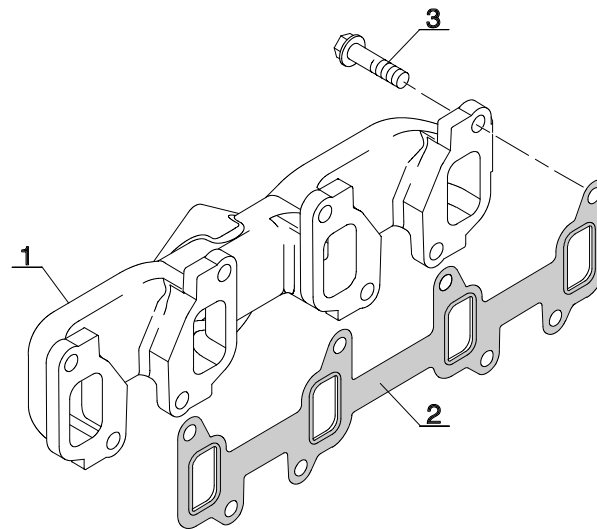
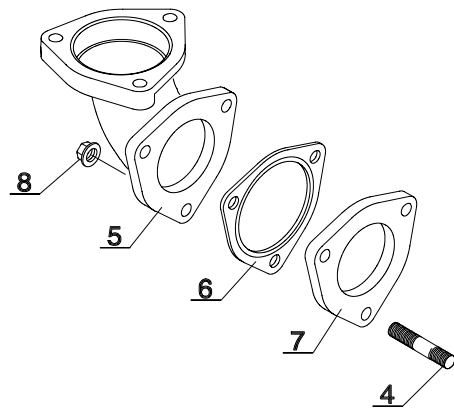
			QUANTITY / MODEL								AP 1562			
1/1 <i>K-D HAWK</i> ENGINE, CYLINDER HEAD OUTLETS			30-4	40-4					30-4 H	40-4 H				
ITEM	PART NO.	DESCRIPTION	30-2	40-2					30-2 H	40-2 H				
1	702328	Water outlet kit	1	1					1	1				
2	604984	Thermostat	1	1					1	1				
3	604985	O-ring	1	1					1	1				
4	476074	Screw	1	1					1	1				
5	473986	Screw	1	1					1	1				
6	702322	Air inlet	1	1					1	1				
7	702323	Seal	1	1					1	1				
8	474005	Screw	4	4					4	4				
9	474023	Plate	3	3					3	3				
10	473560	Gasket	3	3					3	3				
11	473955	Screw	12	12					12	12				
12	604986	Lug	1	1					1	1				
13	473943	Screw	2	2					2	2				
14	702660	Lug	1	1					1	1				
15	473943	Screw	2	2					2	2				

NOTE: ENGINE COMPONENTS SHOWN ARE FOR PERKINS ENGINES.
FOR CAT ENGINE COMPONENTS CONTACT YOUR NEAREST CATERPILLAR DEALER.
FOR PERKINS COMPONENTS NOT FOUND IN THIS PARTS MANUAL CONTACT YOUR NEAREST PERKINS DEALER.



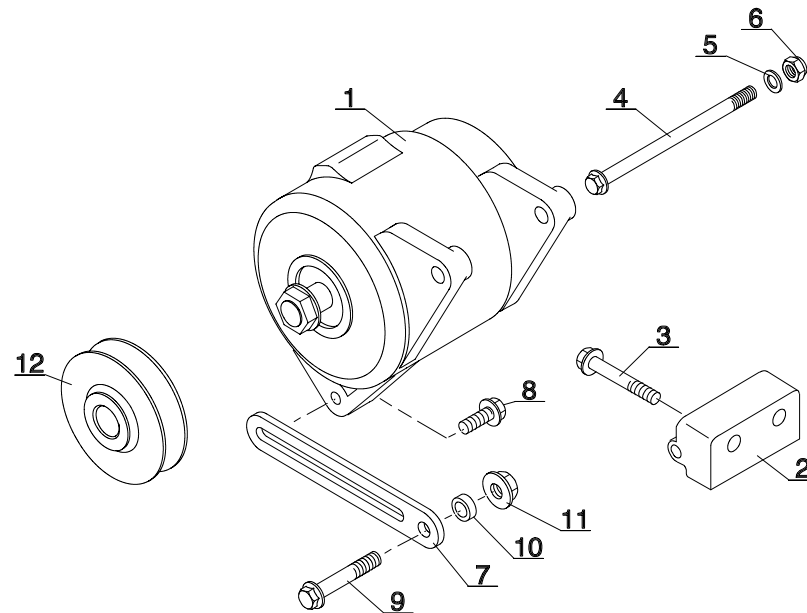
			QUANTITY / MODEL								AP 1563				
1/1 K-D HAWK ENGINE, WATERPUMP			30-4	40-4				30-4 H	40-4 H						
ITEM	PART NO.	DESCRIPTION	30-2	40-2				30-2 H	40-2 H						
1	604987	Waterpump	1	1				1	1						
2	604988	Gasket	1	1				1	1						
3	475057	Screw	2	2				2	2						
4	473982	Screw	2	2				2	2						
5	476074	Screw	5	5				5	5						
6	604989	Repair kit	1	1				1	1						
7	552412	Pulley	1	1				1	1						
8	702762	Pulley bracket	1	1				1	1						
9	473290	Screw	4	4				4	4						

NOTE: ENGINE COMPONENTS SHOWN ARE FOR PERKINS ENGINES.
FOR CAT ENGINE COMPONENTS CONTACT YOUR NEAREST CATERPILLAR DEALER.
FOR PERKINS COMPONENTS NOT FOUND IN THIS PARTS MANUAL CONTACT YOUR NEAREST PERKINS DEALER.



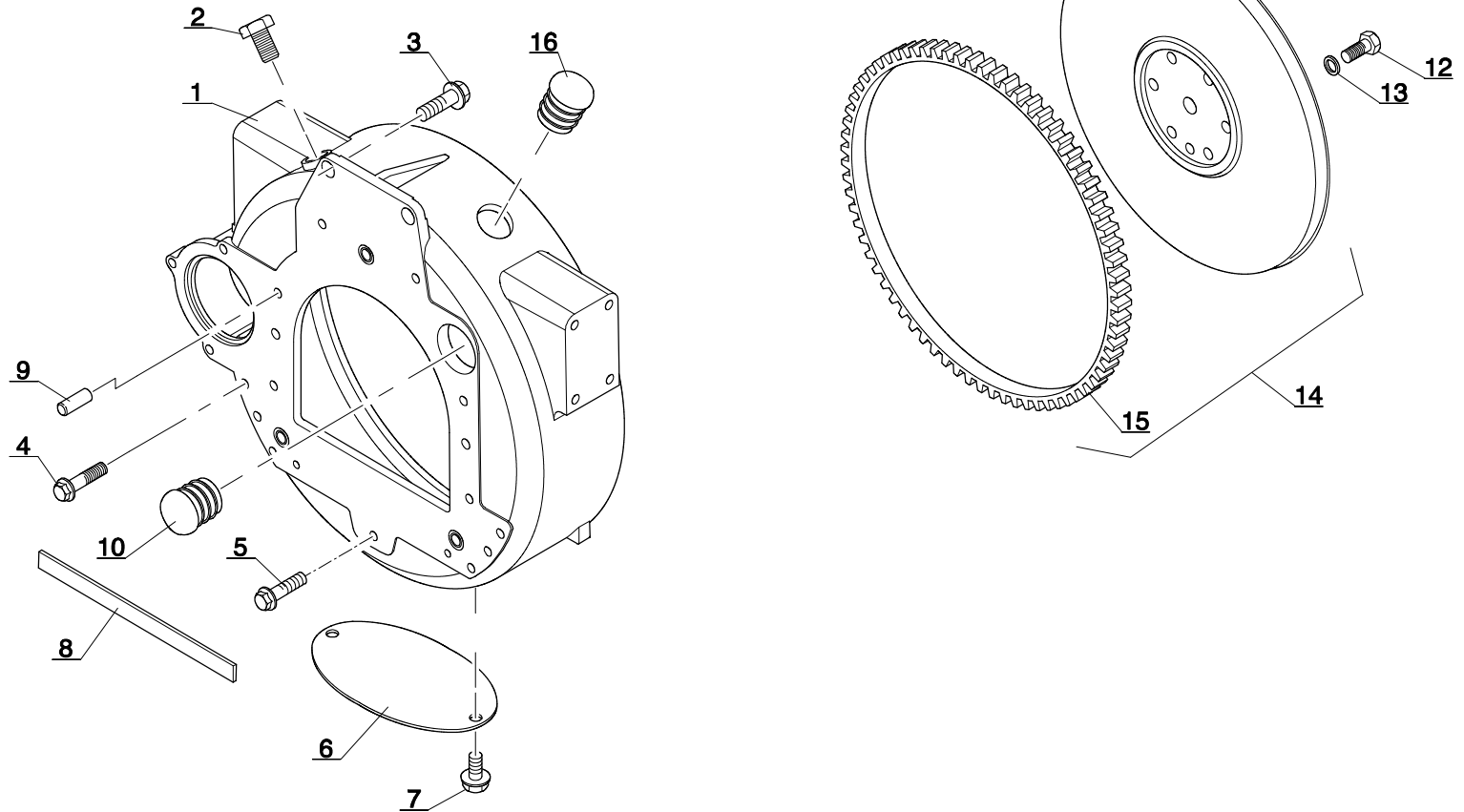
			QUANTITY / MODEL								AP 1564				
			30-4	40-4				30-4 H	40-4 H						
1/1 <i>K-D HAWK</i> ENGINE, EXHAUST MANIFOLD															
ITEM	PART NO.	DESCRIPTION	30-2	40-2				30-2 H	40-2 H						
1	702758	Exhaust manifold	1	1				1	1						
2	604997	Gasket	1	1				1	1						
3	600716	Screw	8	8				8	8						
4	476168	Stud bolt	3	3				3	3						
5	476167	Exhaust pipe, elbow	1	1				1	1						
6	551768	Gasket	1	1				1	1						
7	477755	Strut plate	4	4				4	4						
8	473908	Nut	3	3				3	3						

NOTE: ENGINE COMPONENTS SHOWN ARE FOR PERKINS ENGINES.
 FOR CAT ENGINE COMPONENTS CONTACT YOUR NEAREST CATERPILLAR DEALER.
 FOR PERKINS COMPONENTS NOT FOUND IN THIS PARTS MANUAL CONTACT YOUR NEAREST PERKINS DEALER.



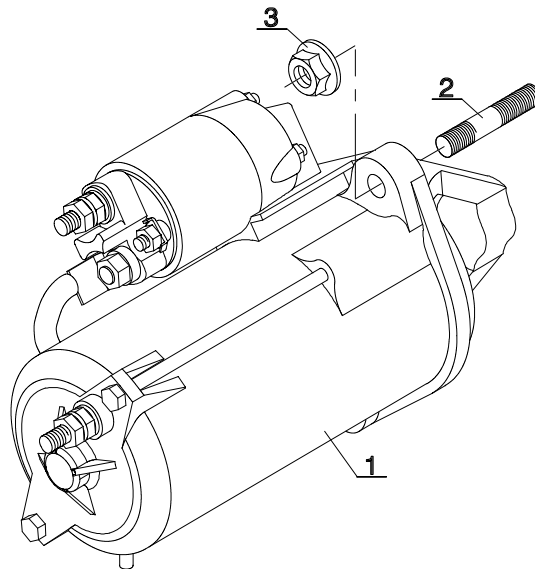
			QUANTITY / MODEL								AP 1565				
			30-4	40-4				30-4 H	40-4 H						
1/1 <i>K-D HAWK</i> ALTERNATOR															
ITEM	PART NO.	DESCRIPTION	30-2	40-2				30-2 H	40-2 H						
1	702759	Alternator	1	1				1	1						
2	604999	Bracket	1	1				1	1						
3	605000	Screw	2	2				2	2						
4	550482	Screw	1	1				1	1						
5	109358	Washer	1	1				1	1						
6	551662	Nut	1	1				1	1						
7	605001	Lever	1	1				1	1						
8	702054	Screw	1	1				1	1						
9	563744	Screw	1	1				1	1						
10	108564	Spacer	1	1				1	1						
11	473969	Nut	1	1				1	1						
12	605003	Pulley	1	1				1	1						

NOTE: ENGINE COMPONENTS SHOWN ARE FOR PERKINS ENGINES.
FOR CAT ENGINE COMPONENTS CONTACT YOUR NEAREST CATERPILLAR DEALER.
FOR PERKINS COMPONENTS NOT FOUND IN THIS PARTS MANUAL CONTACT YOUR NEAREST PERKINS DEALER.



			QUANTITY / MODEL								AP 1566				
			30-4	40-4				30-4 H	40-4 H						
1/1 <i>K-D HAWK</i> ENGINE, FLYWHEEL HOUSING															
ITEM	PART NO.	DESCRIPTION	30-2	40-2				30-2 H	40-2 H						
1	562567	Flywheel housing	1	1				1	1						
2	473973	Plug	1	1				1	1						
3	473975	Screw	2	2				2	2						
4	473958	Screw	6	6				6	6						
5	473976	Screw	3	3				3	3						
6	473971	Sludge door	1	1				1	1						
7	473972	Screw	2	2				2	2						
8	107702	Cover	1	1				1	1						
9	138135	Pin	2	2				2	2						
10	601828	Plug	1	1				1	1						
12	473299	Screw	6	6				6	6						
13	473303	Washer	6	6				6	6						
14	473977	Flywheel	1	1				1	1						
15	138200	Gear	1	1				1	1						
16	601829	Plug	1	1				1	1						

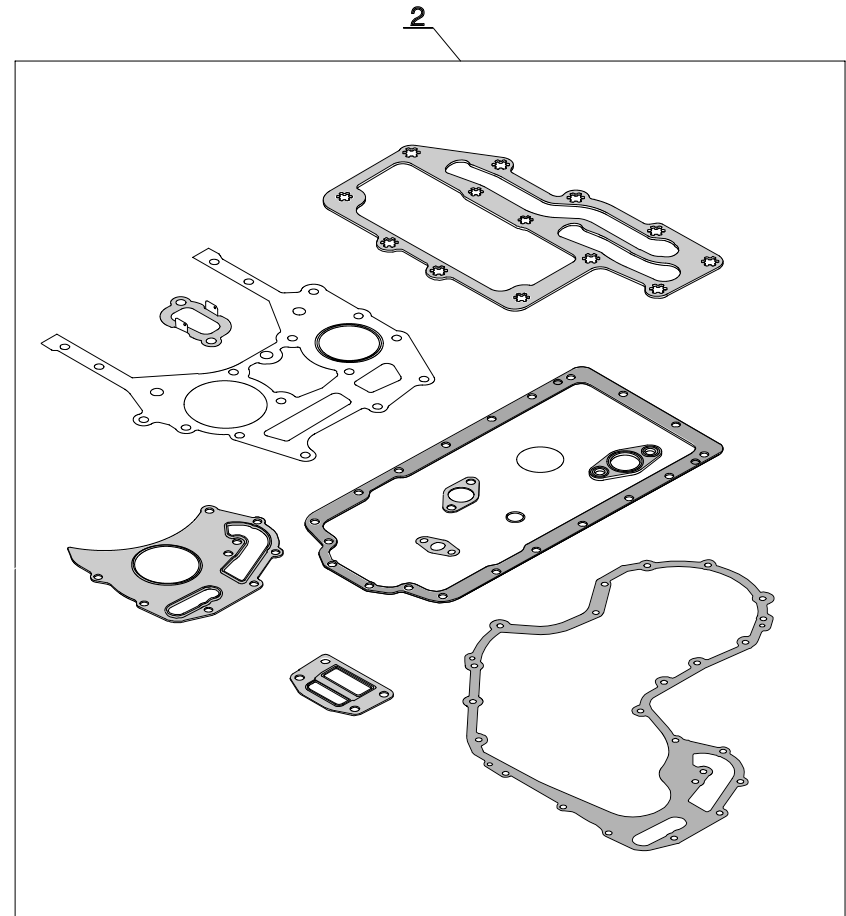
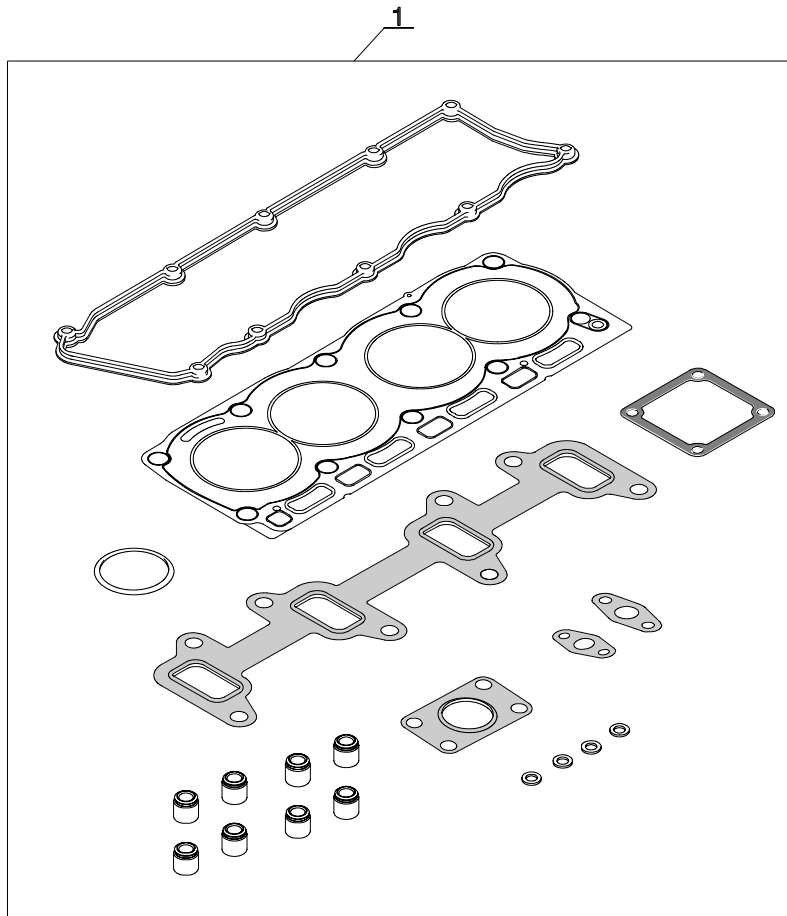
NOTE: ENGINE COMPONENTS SHOWN ARE FOR PERKINS ENGINES.
FOR CAT ENGINE COMPONENTS CONTACT YOUR NEAREST CATERPILLAR DEALER.
FOR PERKINS COMPONENTS NOT FOUND IN THIS PARTS MANUAL CONTACT YOUR NEAREST PERKINS DEALER.



			QUANTITY / MODEL								AP 1567				
			30-4	40-4				30-4 H	40-4 H						
1/1	K-D HAWK ENGINE, STARTER MOTOR														
ITEM	PART NO.	DESCRIPTION	30-2	40-2				30-2 H	40-2 H						
1	702284	Starter motor	1	1				1	1						
2	476168	Stud bolt	3	3				3	3						
3	473969	Nut	3	3				3	3						

66.00

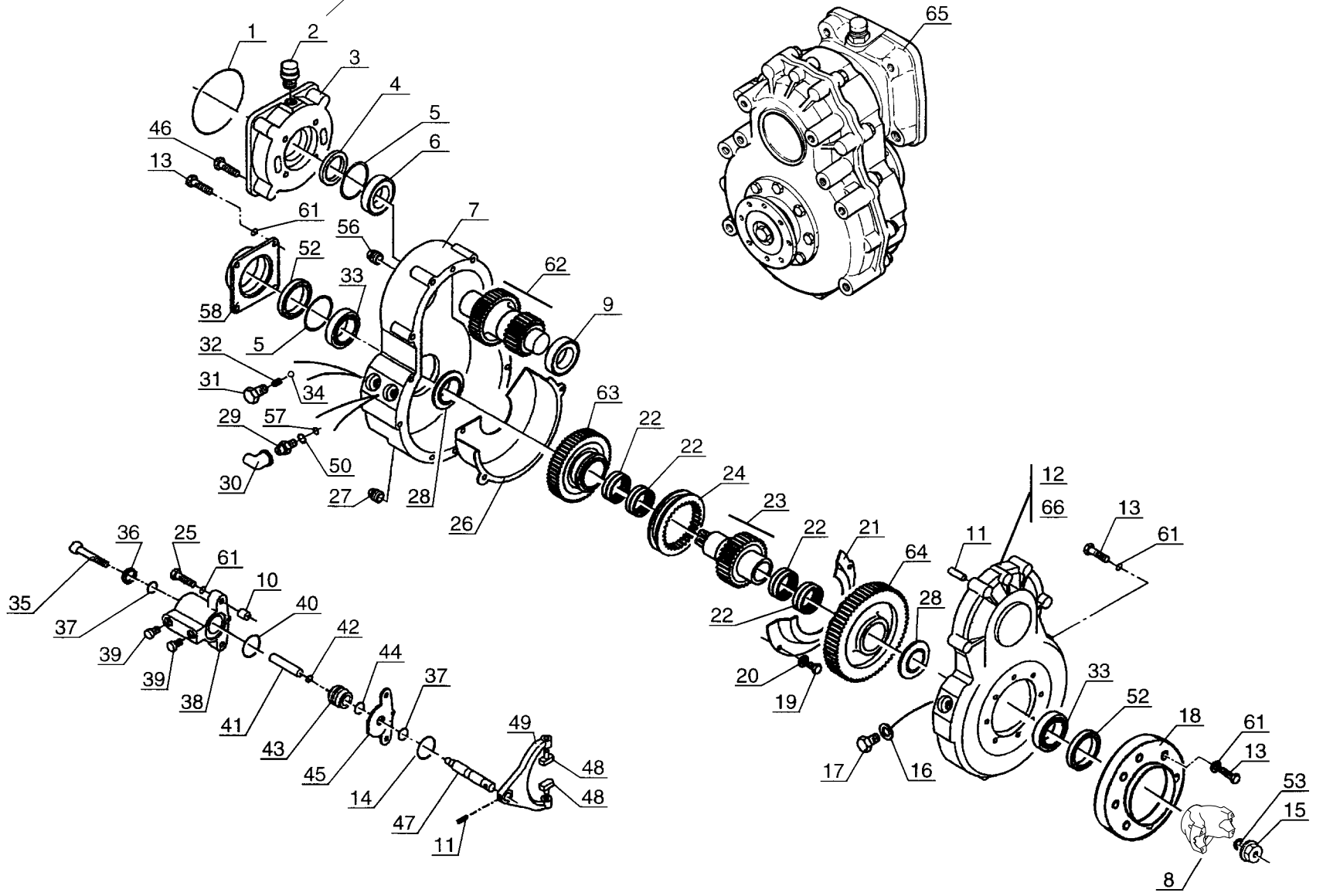
NOTE: ENGINE COMPONENTS SHOWN ARE FOR PERKINS ENGINES.
FOR CAT ENGINE COMPONENTS CONTACT YOUR NEAREST CATERPILLAR DEALER.
FOR PERKINS COMPONENTS NOT FOUND IN THIS PARTS MANUAL CONTACT YOUR NEAREST PERKINS DEALER.



			QUANTITY / MODEL								AP 1568			
1/1			K-D HAWK ENGINE, GASKET SETS											
ITEM	PART NO.	DESCRIPTION	30-2	40-2				30-2 H	40-2 H					
1	702584	Seal kit, upper	1	1				1	1					
2	702015	Seal kit, lower	1	1				1	1					

67.00

INSTALLATION LOCATION VARIES



			QUANTITY / MODEL										AX 1851							
1/3 K-D HAWK GEARBOX, HYDROSTATIC, 2-SPEED REDUCTION																				
ITEM	PART NO.	DESCRIPTION										30-4 H	40-4 H							
												30-2 H	40-2 H							
1	564073	O-ring										1	1							
2	552524	Air breather										1	1							
3	564076	Cover										1	1							
4	552509	Seal										1	1							
5	133136	Shim .10mm (.004 in.)										A/R	A/R							
5	133138	Shim .30mm (.012 in.)										A/R	A/R							
5	478022	Shim .40mm (.016 in.)										A/R	A/R							
5	552515	Shim .15mm (.006 in.)										A/R	A/R							
5	562427	Shim .20mm (.008 in.)										A/R	A/R							
6	105101	Bearing										1	1							
7	563497	Housing										1	1							
8	564248	Flange										2	2							
9	105491	Bearing										1	1							
10	564223	Bushing										2	2							
11	552518	Centering pin										3	3							
12	600593	Cover (Gearbox Serial No. Z. ITA. 739546 and below)										1	1							
13	106842	Screw										24	24							
14	475059	O-ring										1	1							
15	562485	Nut										2	2							
16	552514	Washer										1	1							
17	552522	Screw										1	1							
18	600595	Cover										1	1							
19	105131	Screw										2	2							
20	133118	Washer										2	2							
21	552538	Protective housing										1	1							
22	552513	Roller bearing										4	4							
23	600596	Output shaft										1	1							

68.00

			QUANTITY / MODEL								AX 1851						
							30-4 H	40-4 H									
2/3 K-D HAWK GEARBOX, HYDROSTATIC, 2-SPEED REDUCTION																	
ITEM	PART NO.	DESCRIPTION					30-2 H	40-2 H									
24	601983	Change selector (GEARBOX 801992, 6K & 8K)					1	1									
25	133177	Screw (GEARBOX 801992, 6K & 8K)					2	2									
26	552537	Protective housing					1	1									
27	133296	Magnetic plug					1	1									
28	552531	Spacer					2	2									
29	477475	Safety system switch					1	1									
30	477476	Cap					1	1									
31	564250	Screw					1	1									
32	561947	Spring					1	1									
33	133055	Bearing					2	2									
34	133131	Ball (GEARBOX 801992, 6K & 8K)					1	1									
35	133187	Screw					1	1									
36	552512	O-ring					1	1									
37	563502	Seal					2	2									
38	564245	Cylinder body					1	1									
39	564226	Plug					2	2									
40	564215	O-ring					1	1									
41	564247	Cylinder rod					1	1									
42	564216	O-ring					1	1									
43	564246	Cylinder piston					1	1									
44	564214	O-ring					1	1									
45	563501	Protection plate					1	1									
46	564074	Screw					4	4									
47	564243	Rod					1	1									

AX 1852

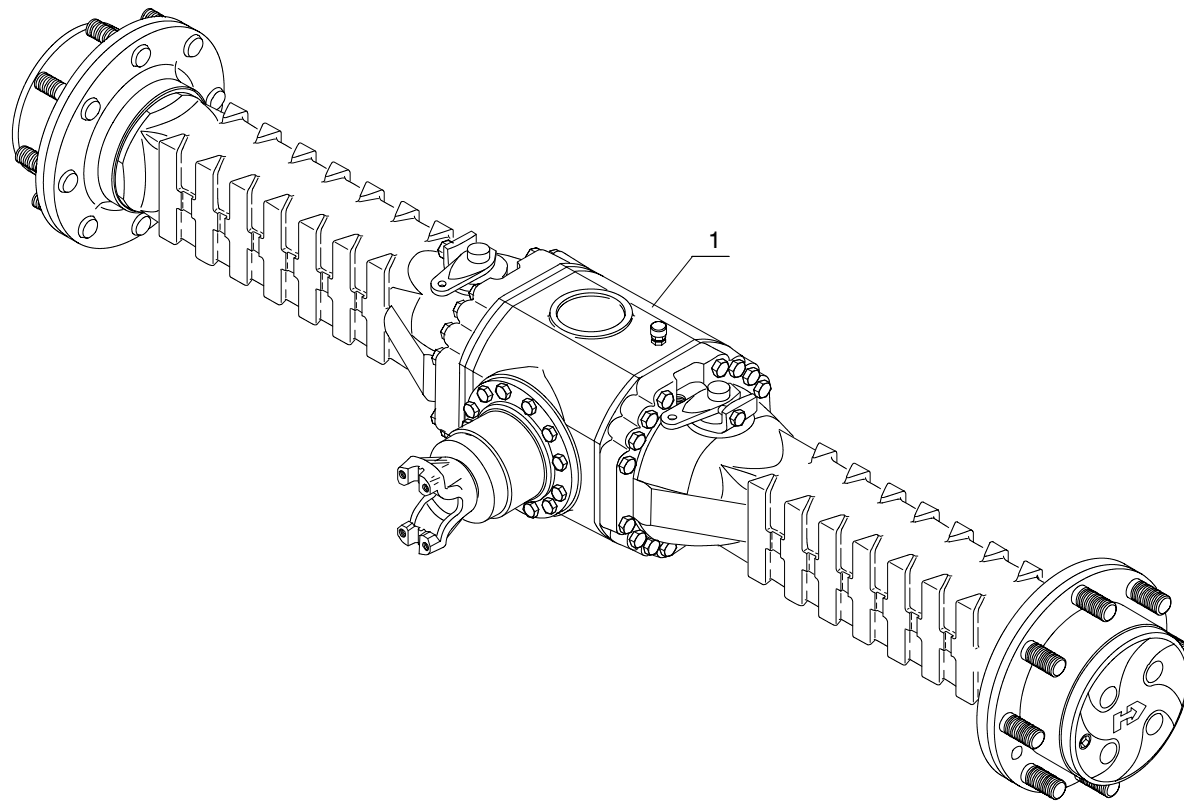
K-D HAWK DRIVE AXLE, FRONT

30-2
40-2

30-4
40-4

30-2 H
40-2 H

30-4 H
40-4 H



			QUANTITY / MODEL								AX 1852			
1/1			K-D HAWK DRIVE AXLE, FRONT											
ITEM	PART NO.	DESCRIPTION	30-2	40-2				30-2 H	40-2 H					
1	804065	Drive axle, front	1	1				1	1					

69.00

AX 1412

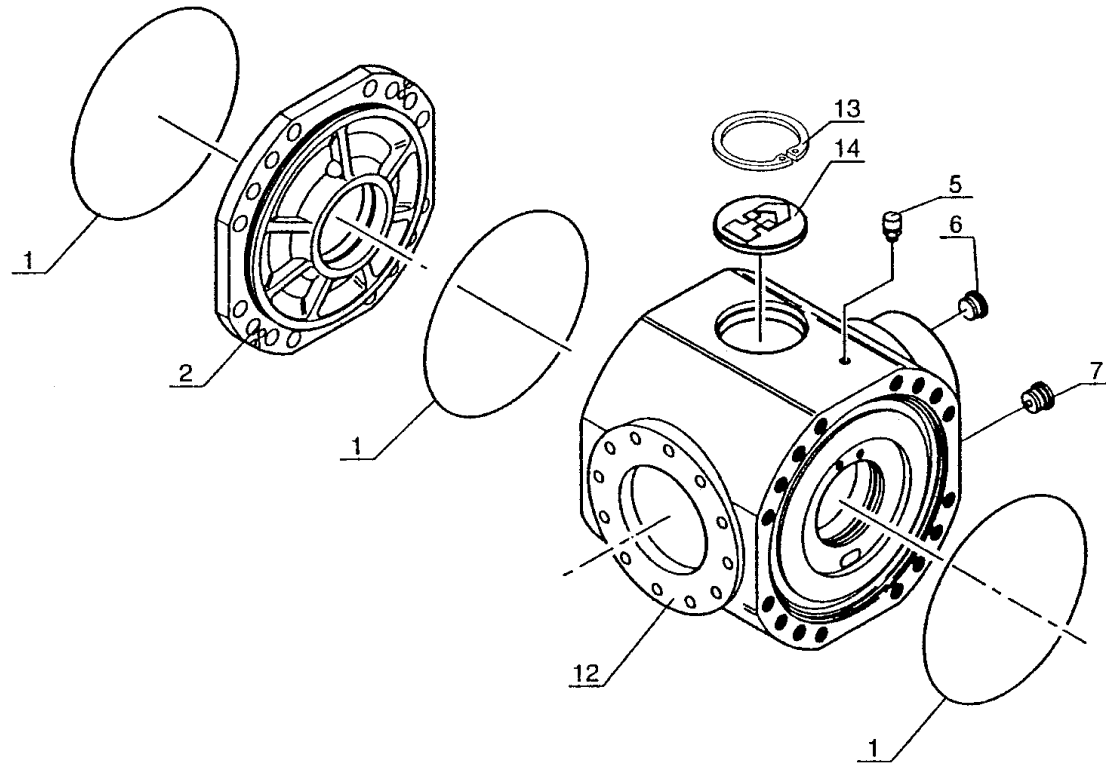
K-D HAWK DRIVE AXLE, FRONT, CASING

30-2
40-2

30-4
40-4

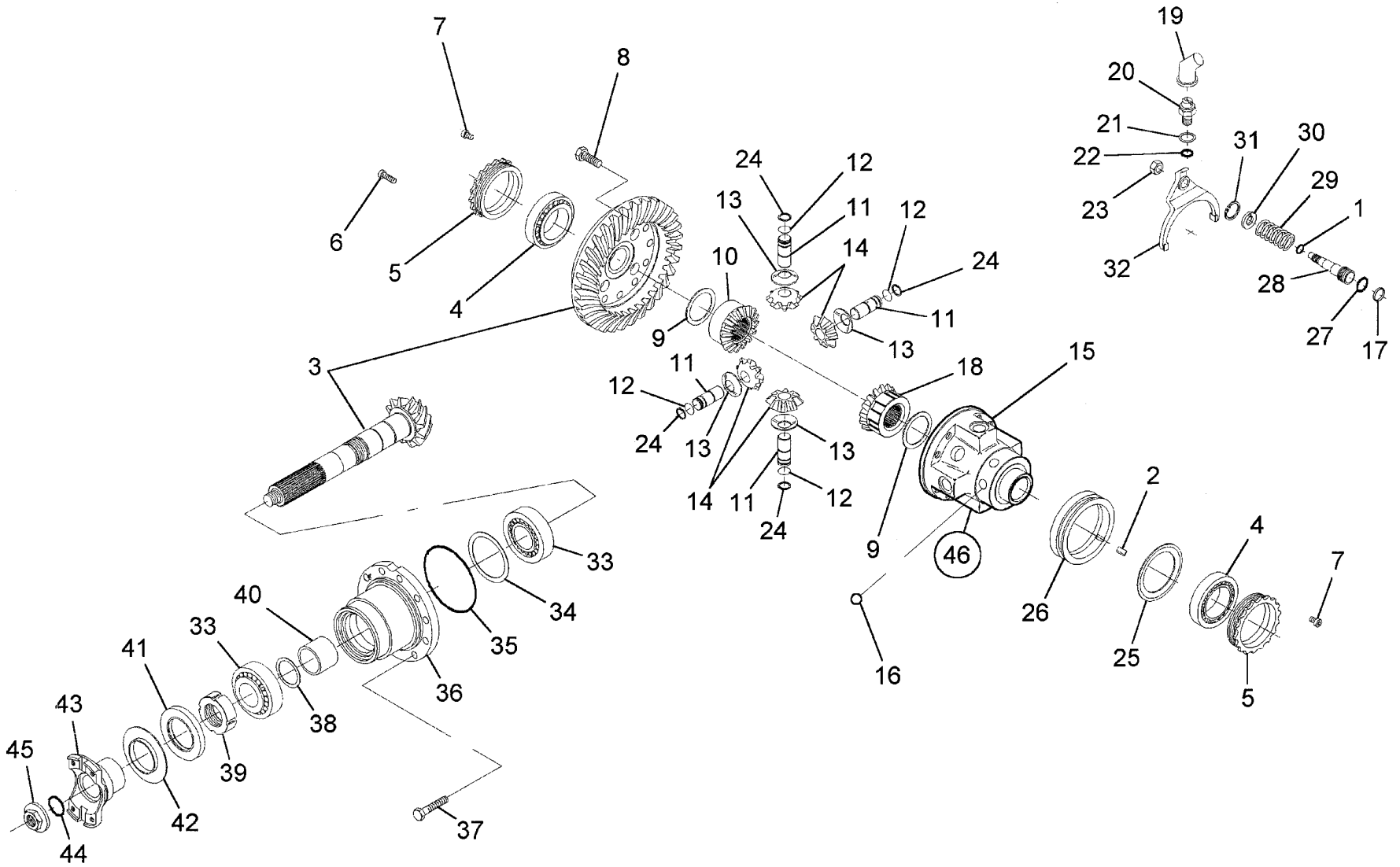
30-2 H
40-2 H

30-4 H
40-4 H



			QUANTITY / MODEL								AX 1412			
			30-4	40-4					30-4 H	40-4 H				
1/1	K-D HAWK DRIVE AXLE, FRONT, CASING													
ITEM	PART NO.	DESCRIPTION	30-2	40-2					30-2 H	40-2 H				
1	106533	O-ring	3	3					3	3				
2	562531	Housing	1	1					1	1				
5	562470	Air breather	1	1					1	1				
6	603638	Plug	1	1					1	1				
7	603639	Magnetic plug	1	1					1	1				
12	496425	Central casing	1	1					1	1				
13	133044	Circlip	1	1					1	1				
14	602293	Plug	1	1					1	1				

70.00



			QUANTITY / MODEL								AX 1449			
1/2 K-D HAWK DRIVE AXLE, FRONT, DIFFERENTIAL			30-4	40-4					30-4 H	40-4 H				
ITEM	PART NO.	DESCRIPTION	30-2	40-2					30-2 H	40-2 H				
1	601945	Circlip	1	1					1	1				
2	601935	Key	1	1					1	1				
3	601558	Bevel gear set	1	1					1	1				
4	106550	Tapered roller bearing	2	2					2	2				
5	562474	Ring nut	2	2					2	2				
6	133186	Bolt	4	4					4	4				
7	109912	Bolt	2	2					2	2				
8	601243	Bolt	12	12					12	12				
9	562476	Washer	2	2					2	2				
10	562477	Differential side gear	2	2					2	2				
11	562478	Pin	4	4					4	4				
12	562479	Circlips	4	4					4	4				
13	562480	Washer	4	4					4	4				
14	562481	Differential pinion	4	4					4	4				
15	603310	Differential carrier	1	1					1	1				
16	601941	Detend ball	6	6					6	6				
17	601943	Ring	1	1					1	1				
18	601937	Differential side gear	1	1					1	1				
19	603311	Boot	1	1					1	1				
20	603303	Security switch	1	1					1	1				
21	496426	Washer, lock	1	1					1	1				
22	477473	O-ring	1	1					1	1				
23	601949	Nut	1	1					1	1				
24	562486	Circlips	4	4					4	4				
25	603312	Sheet	1	1					1	1				
26	601998	Selector	1	1					1	1				
27	477693	O-ring	1	1					1	1				
28	601944	Piston	1	1					1	1				

71.00

			QUANTITY / MODEL								AX 1449			
2/2 K-D HAWK DRIVE AXLE, FRONT, DIFFERENTIAL			30-4	40-4					30-4 H	40-4 H				
ITEM	PART NO.	DESCRIPTION	30-2	40-2					30-2 H	40-2 H				
29	601946	Spring	1	1					1	1				
30	601947	Plug	1	1					1	1				
31	601948	Circlip	1	1					1	1				
32	601950	Selector fork	1	1					1	1				
33	133069	Tapered roller bearing	2	2					2	2				
34	474298	Shim .20mm (.008 in)	A/R	A/R					A/R	A/R				
34	474300	Shim .30mm (.012 in)	A/R	A/R					A/R	A/R				
34	551615	Shim .15mm (.006 in)	A/R	A/R					A/R	A/R				
34	552516	Shim .10mm (.004 in)	A/R	A/R					A/R	A/R				
35	562265	O-ring	1	1					1	1				
36	602780	Cover	1	1					1	1				
37	133173	Bolt	12	12					12	12				
38	550556	Shim .15mm (.006 in)	A/R	A/R					A/R	A/R				
38	550557	Shim .20mm (.008 in)	A/R	A/R					A/R	A/R				
38	551616	Shim .40mm (.016 in)	A/R	A/R					A/R	A/R				
38	552517	Shim .50mm (.020 in)	A/R	A/R					A/R	A/R				
39	133570	Ring nut	1	1					1	1				
40	562483	Spacer	1	1					1	1				
41	107293	Seal	1	1					1	1				
42	107294	Cover plate	1	1					1	1				
43	563904	Flange	1	1					1	1				
44	562472	O-ring	1	1					1	1				
45	562485	Nut	1	1					1	1				
46	603313	Differential (Items: 9 - 15, 18 & 24)	1	1					1	1				

AX 1450

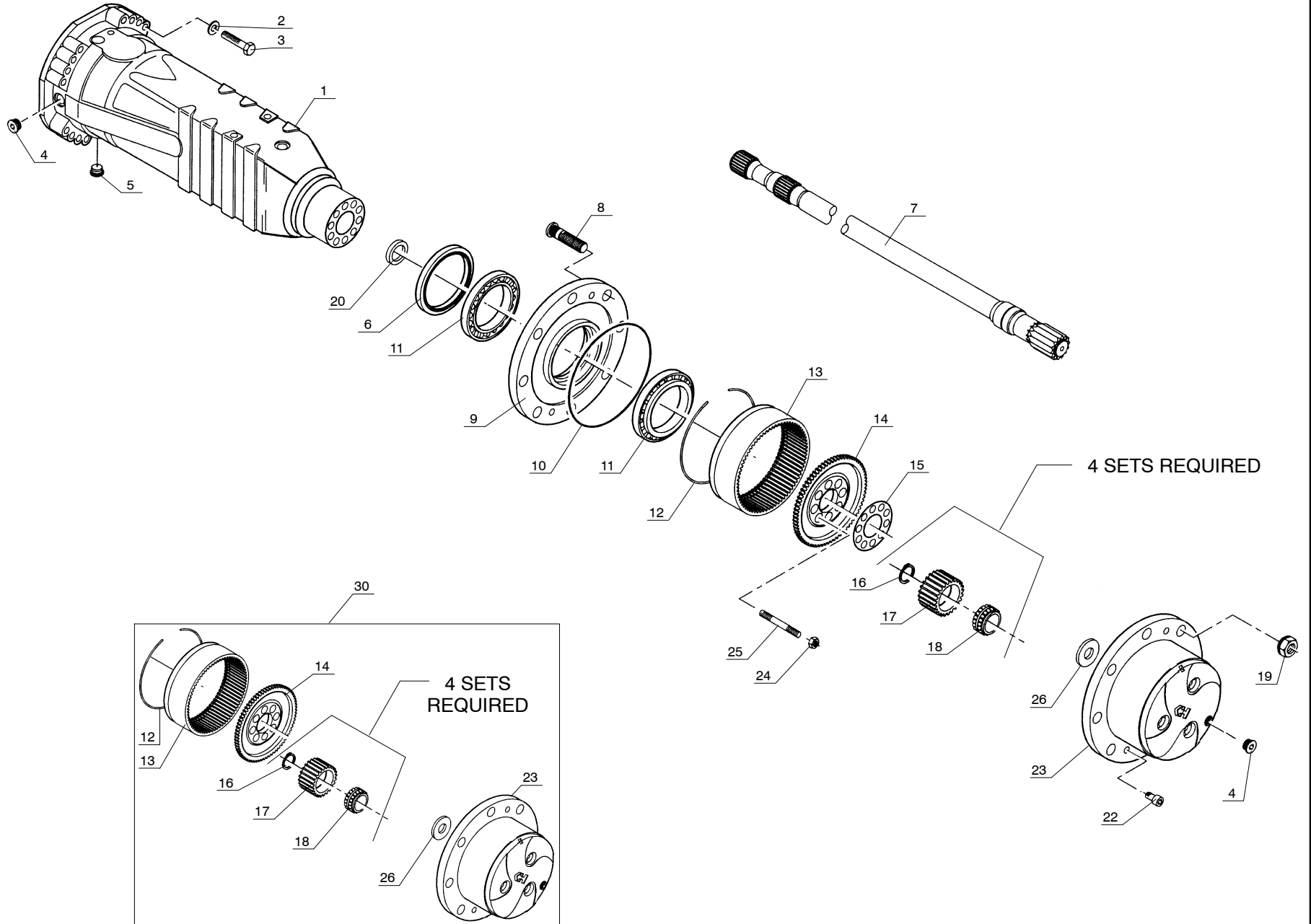
K-D HAWK DRIVE AXLE, FRONT, REDUCTION GEAR

30-2
40-2

30-4
40-4

30-2 H
40-2 H

30-4 H
40-4 H



			QUANTITY / MODEL								AX 1450				
1/1 K-D HAWK DRIVE AXLE, FRONT, REDUCTION GEAR			30-4	40-4				30-4 H	40-4 H						
ITEM	PART NO.	DESCRIPTION	30-2	40-2				30-2 H	40-2 H						
1	602787	Lateral axel case	2	2				2	2						
2	562490	Washer	32	32				32	32						
3	702138	Bolt	32	32				32	32						
4	603638	Plug	4	4				4	4						
5	603639	Magnetic plug	2	2				2	2						
6	604656	Seal	2	2				2	2						
7	602788	Drive shaft	2	2				2	2						
8	106080	Wheel stud	16	16				16	16						
9	601246	Wheel hub	2	2				2	2						
10	106533	O-ring	2	2				2	2						
11	562504	Bearing	4	4				4	4						
12	562514	Circlips	2	2				2	2						
13	564133	Gear ring	2	2				2	2						
14	565998	Ring gear bracket	2	2				2	2						
15	562515	Locking plate	2	2				2	2						
16	562508	Circlips	8	8				8	8						
17	562509	Planet wheel	8	8				8	8						
18	562510	Bearing	8	8				8	8						
19	109480	Wheel nut	16	16				16	16						
20	602789	Seal	2	2				2	2						
22	600670	Screw	4	4				4	4						
23	603316	Planet wheel bracket	2	2				2	2						
24	562513	Nut	16	16				16	16						
25	562512	Stud, bolt	16	16				16	16						
26	603640	Washer	2	2				2	2						
30	603317	Planet wheel bracket kit	2	2				2	2						

AX 1415

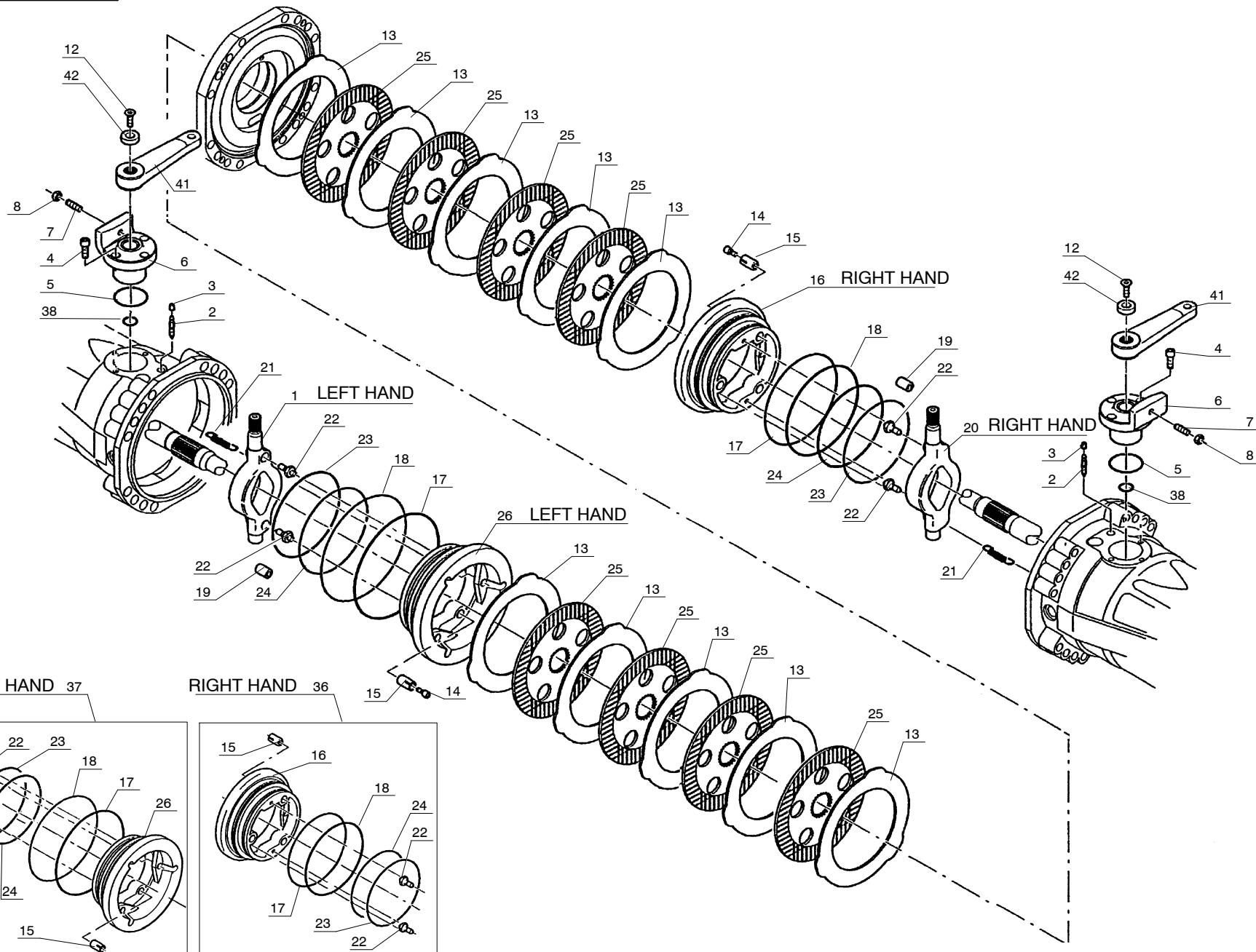
K-D HAWK DRIVE AXLE, FRONT, DISC BRAKES

30-2
40-2

30-4
40-4

30-2 H
40-2 H

30-4 H
40-4 H



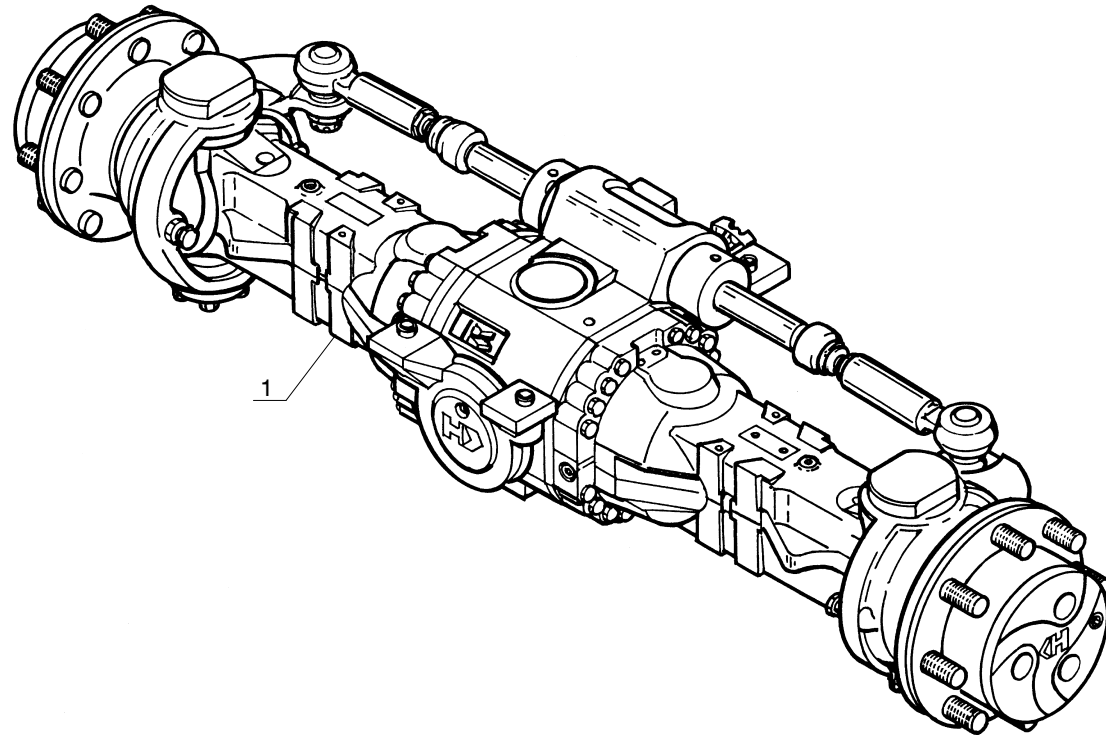
			QUANTITY / MODEL								AX 1415				
1/1 <i>K-D HAWK</i> DRIVE AXLE, FRONT, DISC BRAKES			30-4	40-4				30-4 H	40-4 H						
ITEM	PART NO.	DESCRIPTION	30-2	40-2				30-2 H	40-2 H						
1	562547	Lever, LH	1	1				1	1						
2	106010	Bleeder screw	2	2				2	2						
3	107796	Plug	2	2				2	2						
4	562548	Screw	6	6				6	6						
5	475059	O-ring	2	2				2	2						
6	602218	Reduction bushing	2	2				2	2						
7	562550	Needle valve	2	2				2	2						
8	133088	Nut	2	2				2	2						
12	133199	Screw	2	2				2	2						
13	562525	Intermediate disc	10	10				10	10						
14	564234	Adjusting screw	6	6				6	6						
15	602296	Spring	6	6				6	6						
16	563905	Piston	1	1				1	1						
17	562521	Anti-extrusion seal	2	2				2	2						
18	562522	O-ring	2	2				2	2						
19	107751	Centering pin	2	2				2	2						
20	562554	Lever, RH	1	1				1	1						
21	562520	Spring	6	6				6	6						
22	107286	Needle valve	4	4				4	4						
23	562523	Anti-extrusion seal	2	2				2	2						
24	562524	O-ring	2	2				2	2						
25	562516	Brake disc	8	8				8	8						
26	563906	Piston	1	1				1	1						
36	600582	Piston kit	1	1				1	1						
37	600558	Piston kit	1	1				1	1						
38	602007	O-ring	2	2				2	2						
41	604253	Lever	2	2				2	2						
42	106567	Spacer	2	2				2	2						

AX 1855

K-D HAWK STEER AXLE, 4WD

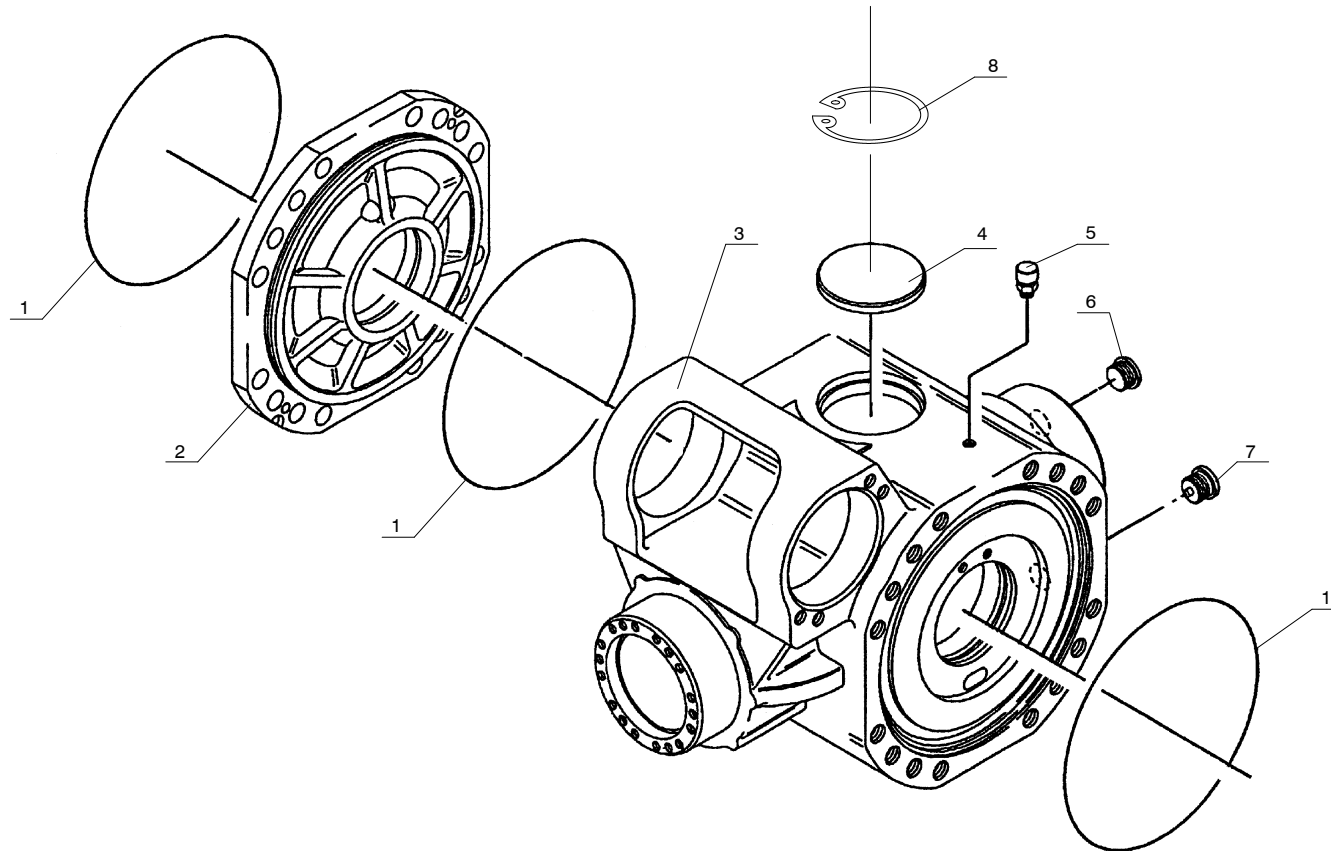
30-4
40-4

30-4 H
40-4 H



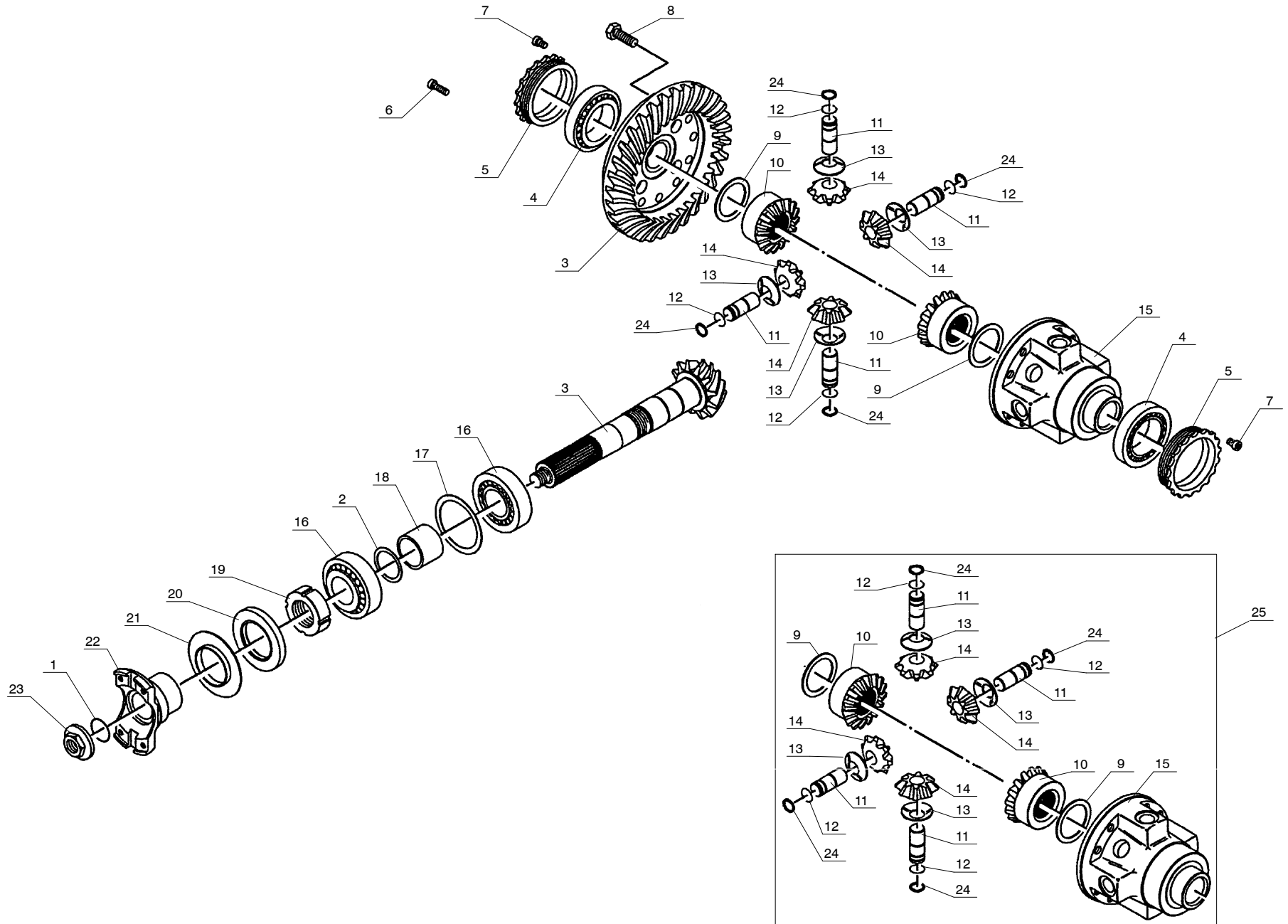
			QUANTITY / MODEL								AX 1855			
			30-4	40-4			30-4 H	40-4 H						
ITEM	PART NO.	DESCRIPTION												
1/1 K-D HAWK STEER AXLE, 4WD														
1	247289	Steer axle, 4WD (4-SPEED MODELS)	1	1										
1	804064	Steer axle, 4WD (HYDROSTATIC MODELS)					1	1						

74.00



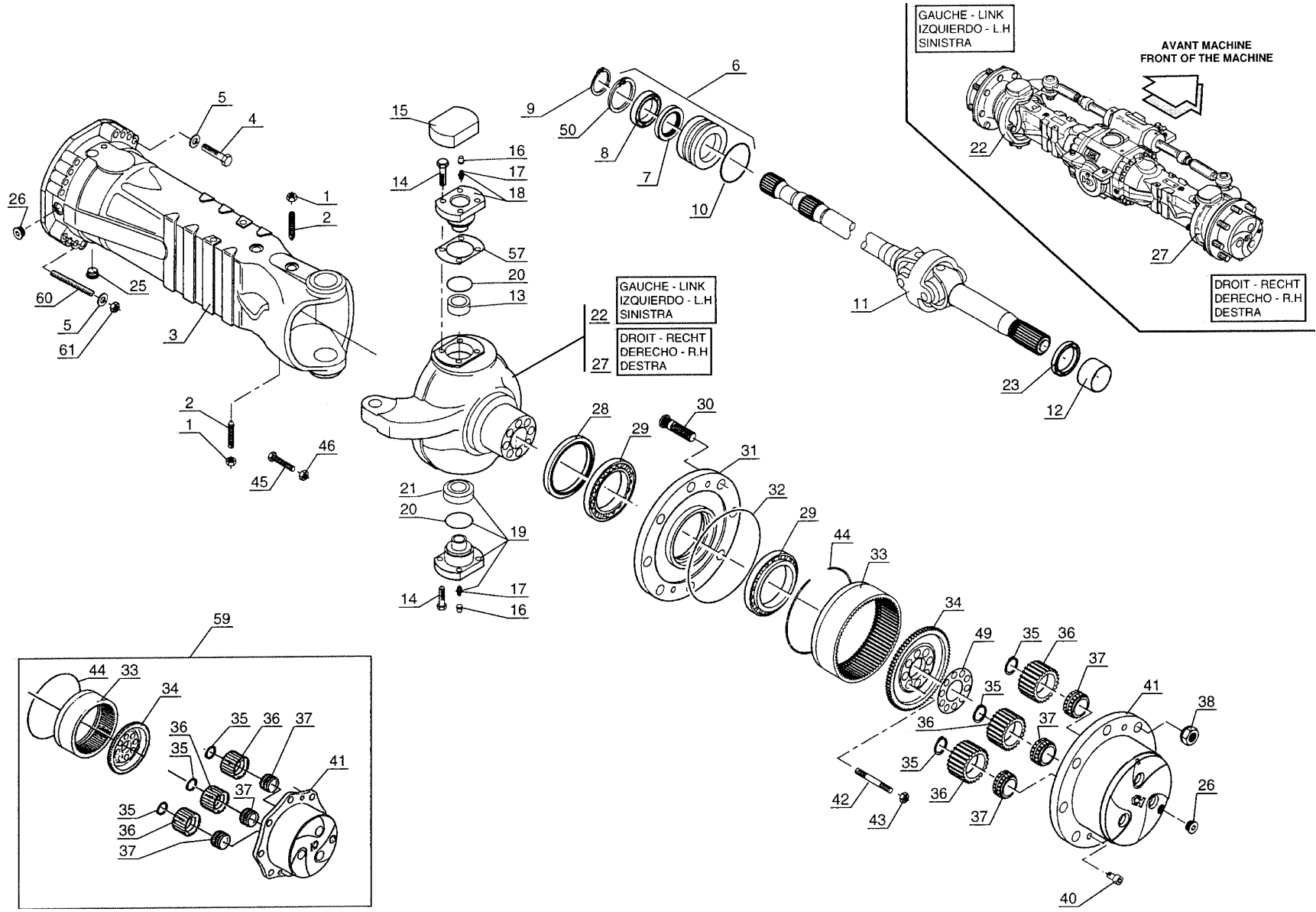
			QUANTITY / MODEL								AX 1856				
			30-4	40-4				30-4 H	40-4 H						
1/1 <i>K-D HAWK</i> STEER AXLE CASING, 4WD															
ITEM	PART NO.	DESCRIPTION													
1	106533	O-ring	3	3				3	3						
2	562531	Housing	1	1				1	1						
3	562469	Central casing (STEER AXLE 247289)	1	1											
3	603821	Central casing (STEER AXLE 804064)						1	1						
4	600549	Cover (STEER AXLE 247289)	1	1											
4	602293	Cover (STEER AXLE 804064)						1	1						
5	562470	Air breather	1	1				1	1						
6	603638	Plug	1	1				1	1						
7	603639	Magnetic plug	1	1				1	1						
8	133044	Circlip (STEER AXLE 804064)						1	1						

75.00



			QUANTITY / MODEL								AX 1864			
			30-4	40-4					30-4 H	40-4 H				
1/2 K-D HAWK STEER AXLE DIFFERENTIAL, 4WD														
ITEM	PART NO.	DESCRIPTION												
1	562472	O-ring	1	1					1	1				
2	550556	Shim .15mm (.006 in)	A/R	A/R					A/R	A/R				
2	550557	Shim .20mm (.008 in)	A/R	A/R					A/R	A/R				
2	551616	Shim .40mm (.016 in)	A/R	A/R					A/R	A/R				
2	552517	Shim .50mm (.020 in)	A/R	A/R					A/R	A/R				
3	603648	Bevel drive gear	1	1					1	1				
4	106550	Bearing	2	2					2	2				
5	562474	Nut	2	2					2	2				
6	133186	Screw	4	4					4	4				
7	109912	Screw	2	2					2	2				
8	601243	Screw	12	12					12	12				
9	562476	Washer	2	2					2	2				
10	562477	Planetary	2	2					2	2				
11	562478	Axle	4	4					4	4				
12	562479	Circlips	4	4					4	4				
13	562480	Washer	4	4					4	4				
14	562481	Planet wheel	4	4					4	4				
15	562482	Differential housing	1	1					1	1				
16	133069	Bearing	2	2					2	2				
17	474298	Shim .20mm (.008 in)	A/R	A/R					A/R	A/R				
17	474300	Shim .30mm (.012 in)	A/R	A/R					A/R	A/R				
17	551615	Shim .15mm (.006 in)	A/R	A/R					A/R	A/R				
17	552516	Shim .10mm (.004 in)	A/R	A/R					A/R	A/R				
18	562483	Spacer	1	1					1	1				
19	133570	Nut	1	1					1	1				
20	107293	Seal	1	1					1	1				

			QUANTITY / MODEL								AX 1864			
			30-4	40-4			30-4 H	40-4 H						
ITEM	PART NO.	DESCRIPTION												
2/2	K-D HAWK STEER AXLE DIFFERENTIAL, 4WD													
21	107294	Cover plate	1	1			1	1						
22	563904	Flange	1	1			1	1						
23	562485	Nut	1	1			1	1						
24	562486	Circlips	4	4			4	4						
25	600552	Rear axle differential (Items: 9 - 15, 24)	1	1			1	1						



			QUANTITY / MODEL								AX 1865			
1/3			K-D HAWK STEER AXLE REDUCTION GEAR, 4WD											
ITEM	PART NO.	DESCRIPTION	30-4	40-4				30-4 H	40-4 H					
1	133090	Nut	2	2				2	2					
2	562750	Screw	2	2				2	2					
3	603649	Lateral axle case	2	2				2	2					
4	562489	Bolt (STEER AXLE 247289)	28	28										
4	702138	Bolt (STEER AXLE 804064)						28	28					
5	562490	Washer	32	32				32	32					
6	563903	Flange	2	2				2	2					
7	108100	Seal	2	2				2	2					
8	105101	Bearing	2	2				2	2					
9	105424	Circlips	2	2				2	2					
10	562752	O-ring	2	2				2	2					
11	603650	Axle, Cardan	2	2				2	2					
12	477847	Bushing	2	2				2	2					
13	603651	Bushing	2	2				2	2					
14	562475	Screw	20	20				20	20					
15	600559	Cover	2	2				2	2					
16	107796	Plug	4	4				4	4					
17	133103	Greaser	4	4				4	4					
18	564903	Pivot pin	2	2				2	2					
19	564898	Pivot pin	2	2				2	2					
20	562499	Seal	4	4				4	4					
21	562500	Bushing	2	2				2	2					
22	603652	LH steering case (STEER AXLE 247289)	1	1										
22	496428	LH steering case (STEER AXLE 804064)						1	1					
23	603653	Seal	2	2				2	2					
25	603639	Magnetic plug	2	2				2	2					
26	603638	Plug	4	4				4	4					
27	603654	RH steering case (STEER AXLE 247289)	1	1										
27	496429	RH steering case (STEER AXLE 804064)						1	1					

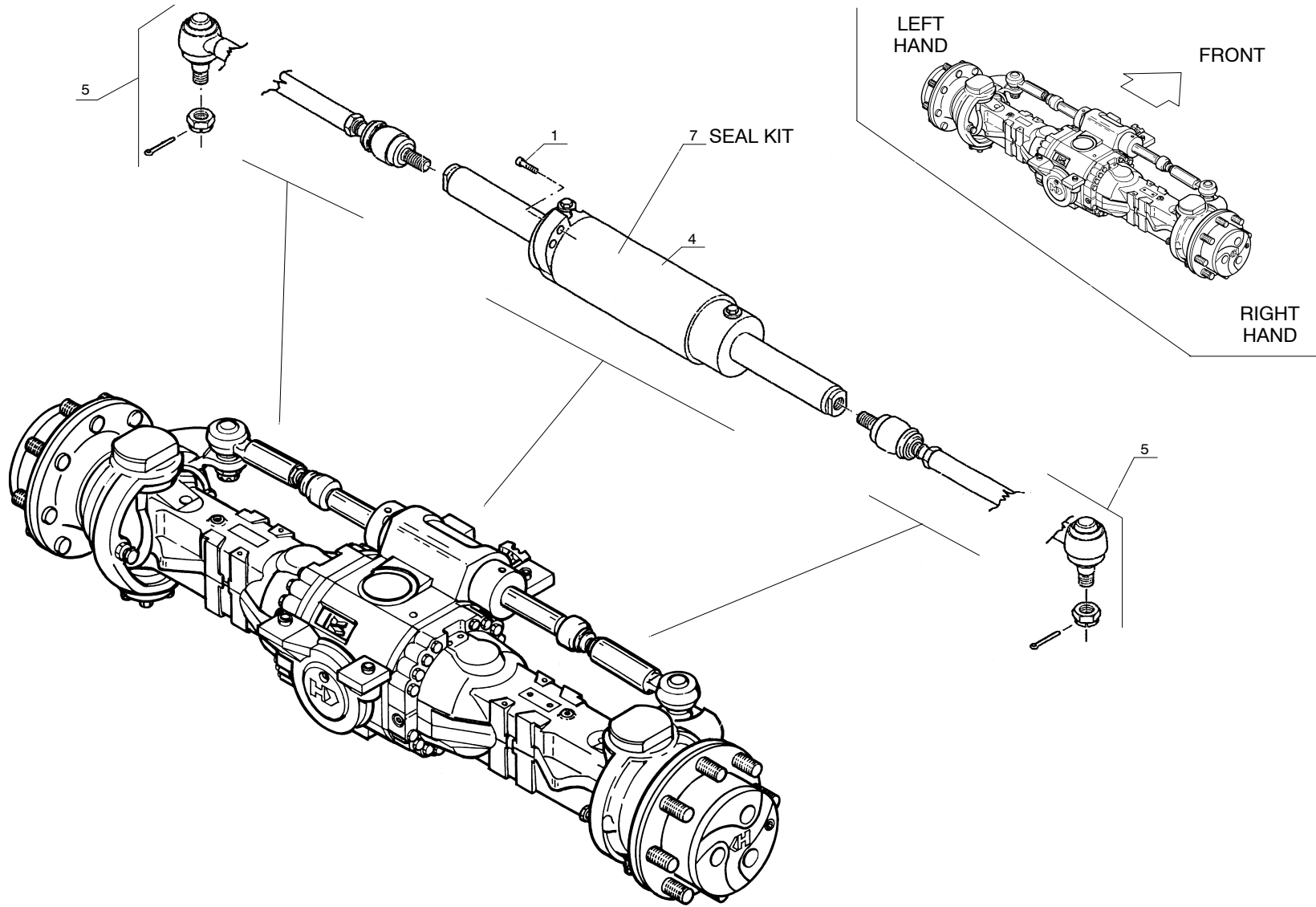
			QUANTITY / MODEL								AX 1865				
			30-4	40-4				30-4 H	40-4 H						
ITEM	PART NO.	DESCRIPTION													
3/3			K-D HAWK STEER AXLE REDUCTION GEAR, 4WD												
57	604854	Shim .15mm (.006 in) (STEER AXLE 804064)						A/R	A/R						
57	702059	Shim .20mm (.008 in) (STEER AXLE 804064)						A/R	A/R						
57	702060	Shim .50mm (.020 in) (STEER AXLE 804064)						A/R	A/R						
59	602190	Planet wheel bracket (STEER AXLE 247289)	1	1											
59	603723	Planet wheel bracket (STEER AXLE 804064)						1	1						
60	603655	Stud, bolt	4	4				4	4						
61	602275	Nut	4	4				4	4						

AX 1866

K-D HAWK STEERING CYLINDER, 4WD

30-4
40-4

30-4 H
40-4 H



			QUANTITY / MODEL								AX 1866				
			30-4	40-4				30-4 H	40-4 H						
1/1 <i>K-D HAWK</i> STEERING CYLINDER, 4WD															
ITEM	PART NO.	DESCRIPTION													
1	562526	Screw	4	4				4	4						
4	603656	Steering cylinder (STEER AXLE 247289)	1	1											
4	702067	Steering cylinder (STEER AXLE 804064)						1	1						
5	603657	Linked tie rod	2	2				2	2						
7	603681	Seal kit (STEER AXLE 247289)	1	1											
7	702147	Seal kit (STEER AXLE 804064)						1	1						

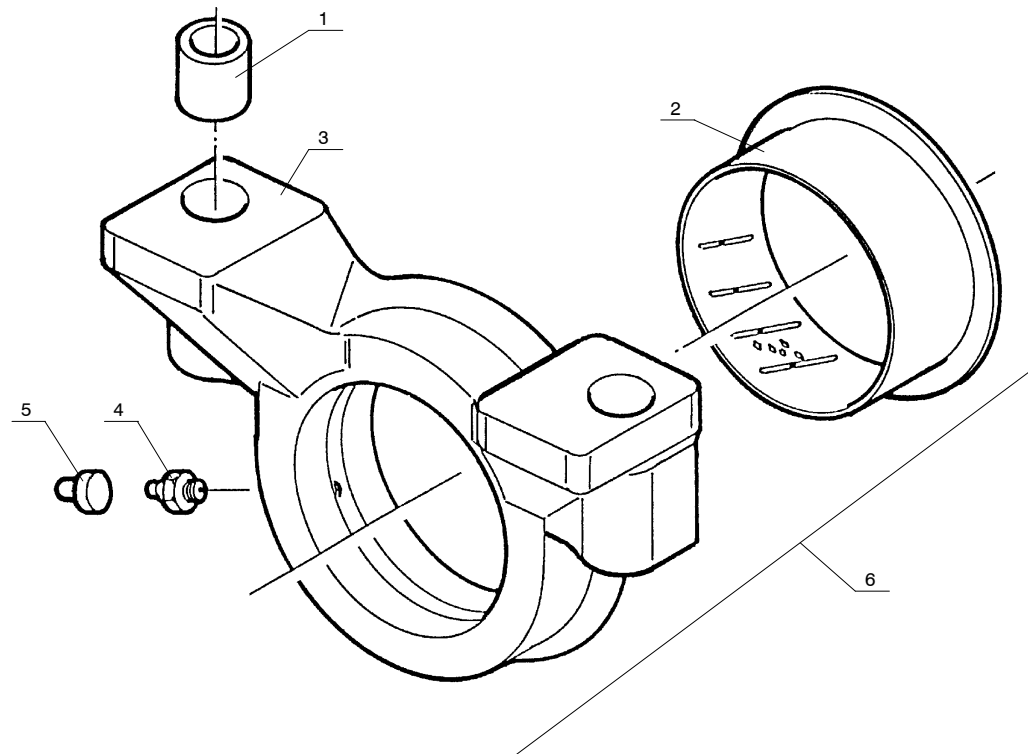
78.00

AX 1584

K-D HAWK STEER AXLE SUPPORT BRACKET, 4WD

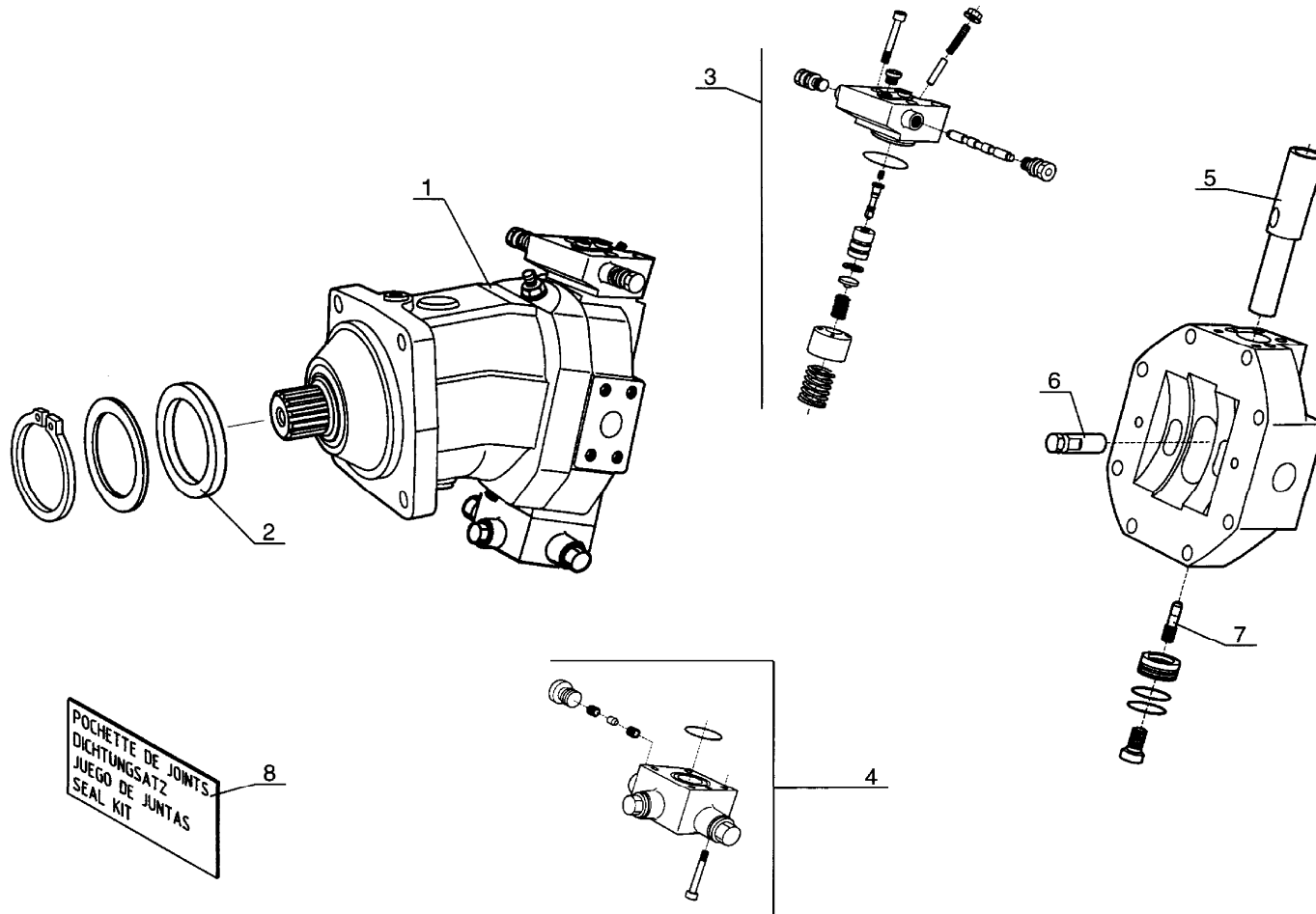
30-4
40-4

30-4 H
40-4 H



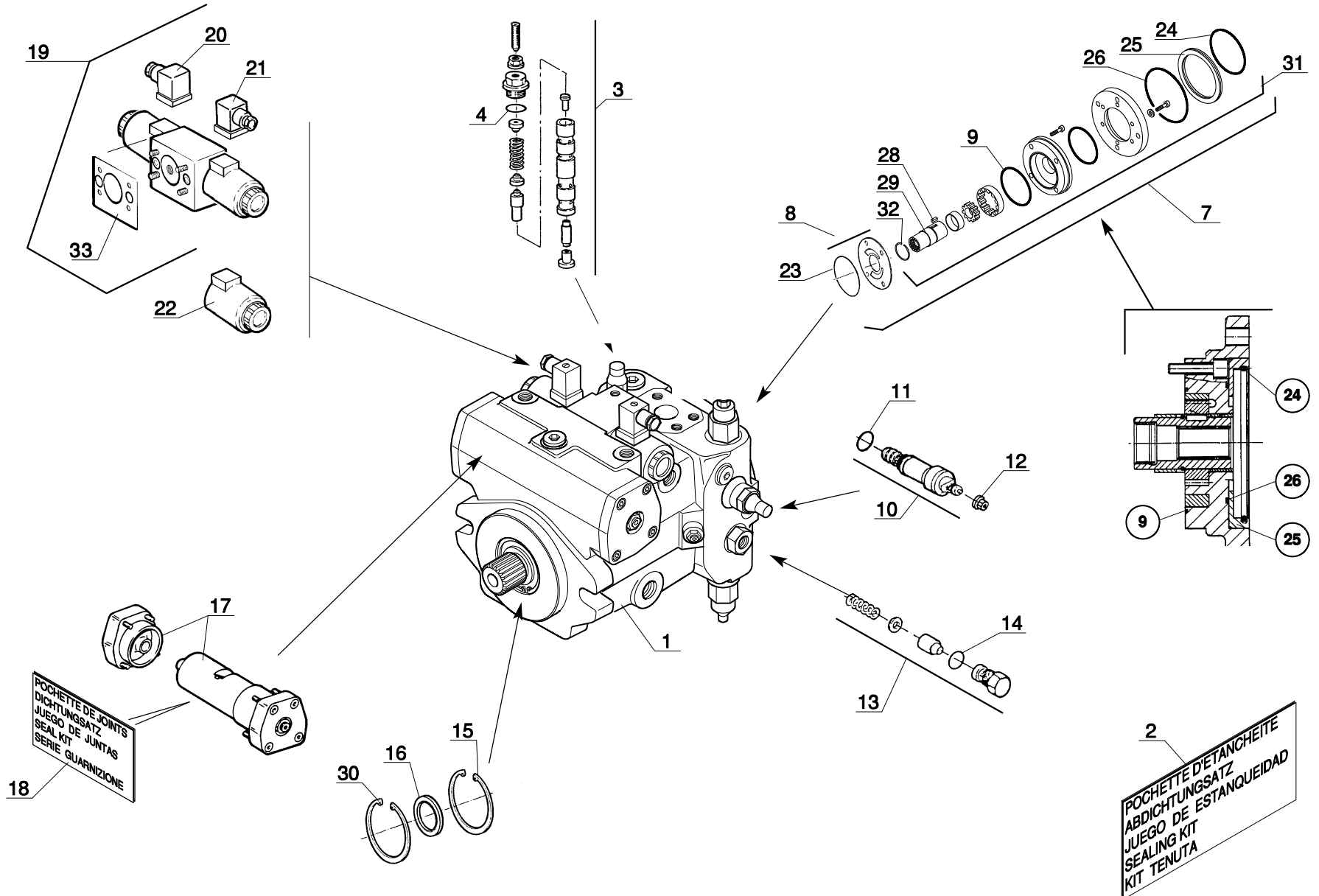
			QUANTITY / MODEL								AX 1584				
			30-4	40-4				30-4 H	40-4 H						
1/1	K-D HAWK STEER AXLE SUPPORT BRACKET, 4WD														
ITEM	PART NO.	DESCRIPTION													
1	477964	Coupling	4	4				4	4						
2	477538	Bushing	2	2				2	2						
3	564693	Axle bracket	2	2				2	2						
4	133103	Greaser	2	2				2	2						
5	107796	Plug	2	2				2	2						
6	601561	Axle bracket	2	2				2	2						

79.00



			QUANTITY / MODEL				BC 108			
1/1			K-D HAWK HYDROSTATIC MOTOR							
ITEM	PART NO.	DESCRIPTION			30-2 H	40-2 H				
1	208701	Hydrostatic pump assembly			1	1				
2	561198	Seal			1	1				
3	561187	Control parts			1	1				
4	552608	Flushing and boost pressure valve			1	1				
5	562317	Piston			1	1				
6	562318	Swivel pin			1	1				
7	562319	Screw			1	1				
8	562320	Seal kit			1	1				

80.00



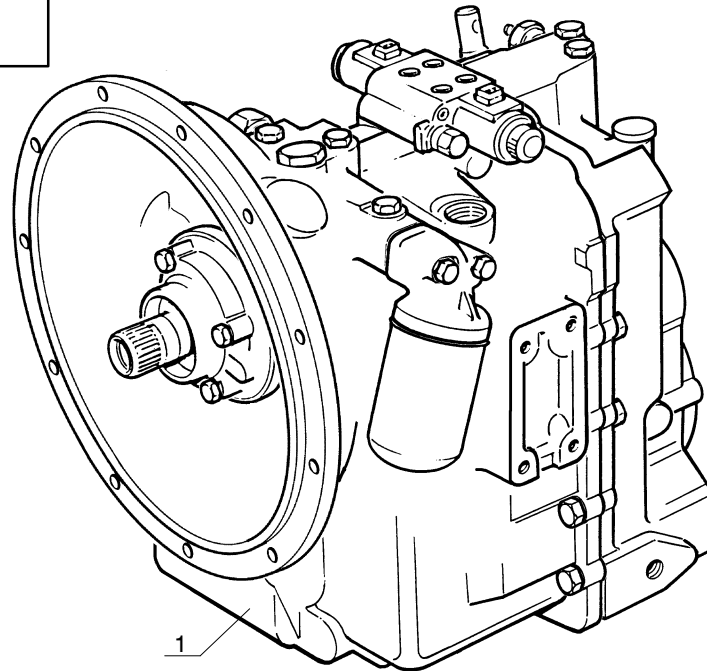
			QUANTITY / MODEL								BC 153						
1/2 K-D HAWK TRANSMISSION, HYDROSTATIC PUMP																	
ITEM	PART NO.	DESCRIPTION							30-4 H	40-4 H							
									30-2 H	40-2 H							
1	802903	Hydrostatic pump, complete							1	1							
2	603534	Seal kit							1	1							
3	552629	Valve							1	1							
4	201149	O-ring							1	1							
7	602061	Boost pump							1	1							
8	601589	Friction lining							1	1							
9	201198	Seal							1	1							
10	458502	Control valve							1	1							
11	401831	O-ring							1	1							
12	409248	Nut							1	1							
13	601590	Relief valve							1	1							
14	601594	O-ring							1	1							
15	552634	Circlips							1	1							
16	602062	Seal							1	1							
17	601593	Positioning piston							1	1							
18	601597	Seal kit							1	1							
19	602063	Valve bank							1	1							
20	58112	Connection test							1	1							
21	58113	Connection test							1	1							
22	602064	Solenoid							2	2							
23	201198	Seal							1	1							
24	474783	O-ring							1	1							
25	552622	Bushing							1	1							
26	201199	O-ring							1	1							
28	600525	Key							1	1							

SAMPLE 2WD TRANSMISSION ID PLATE



NOTE:
BEFORE ORDERING TRANSMISSION
PARTS RECORD ALL INFORMATION
STAMPED ON THE ID PLATE.

SEE **4AA606** FOR DIPSTICK ASSEMBLY



			QUANTITY / MODEL										BP 177			
1			<i>K-D HAWK</i> TRANSMISSION, 4-SPEED, 2WD													
ITEM	PART NO.	DESCRIPTION	30-2	40-2												
1	222572	Gear box, complete	1	1												

82.00

JUSQU' A LA BOITE DE VITESSES
BIS DER GETRIEBEKASTEN
HASTA LA CAJA DE VELOCIDADES
UP TO GEAR BOX
FINO CAMBIO

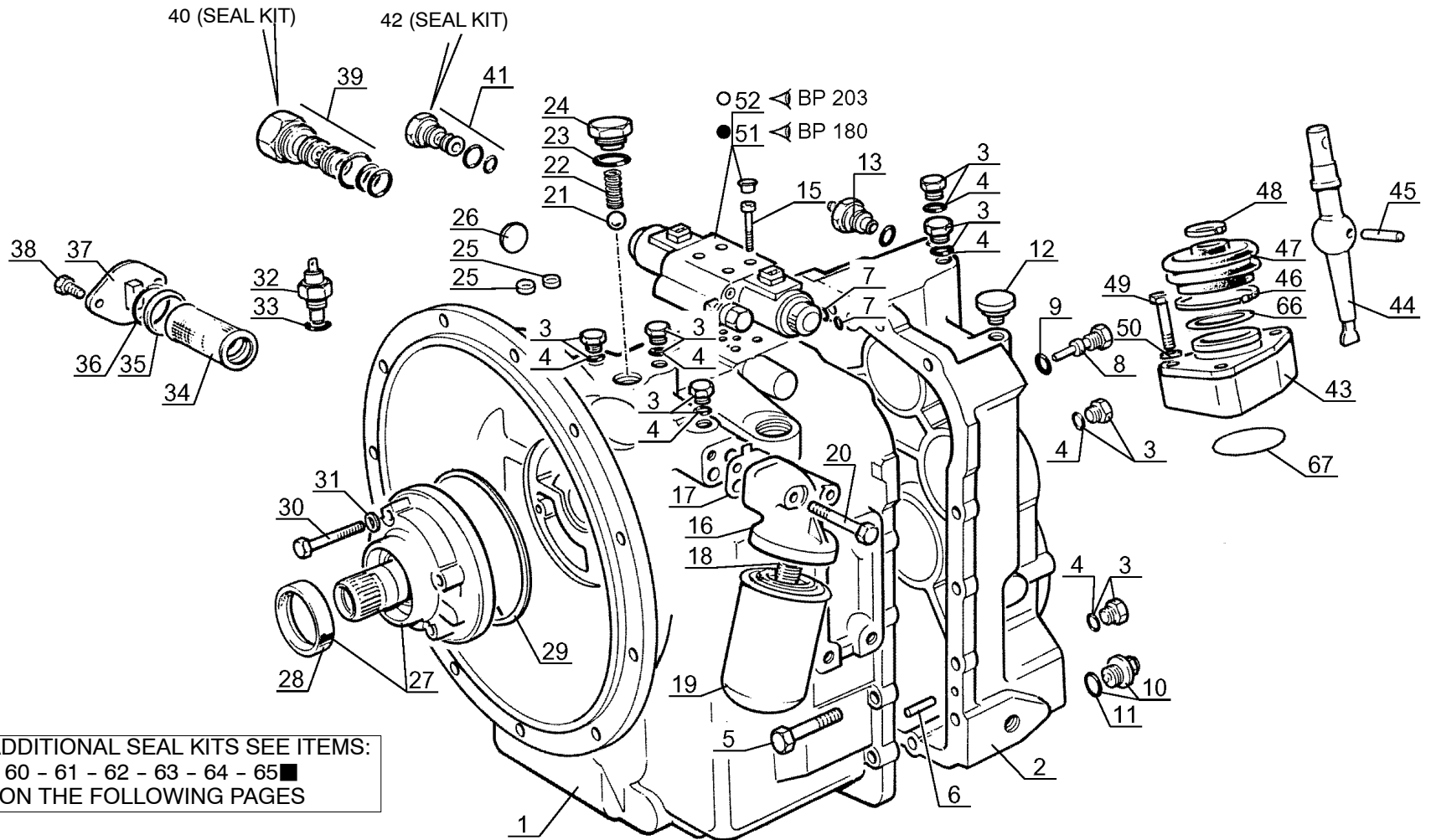
A PARTIR DE LA BOITE DE VITESSES
AB DER GETRIEBEKASTEN
A PARTIR DE LA CAJA DE VELOCIDADES
FROM GEAR BOX
A PARTIR DEL CAMBIO

●→ N°: 2638

○→ N°: 2639

■→ N°: 2725

NOTE: RECORD ID PLATE INFO BEFORE ORDERING PARTS. SEE BP177



FOR ADDITIONAL SEAL KITS SEE ITEMS:
60 - 61 - 62 - 63 - 64 - 65 ■
ON THE FOLLOWING PAGES

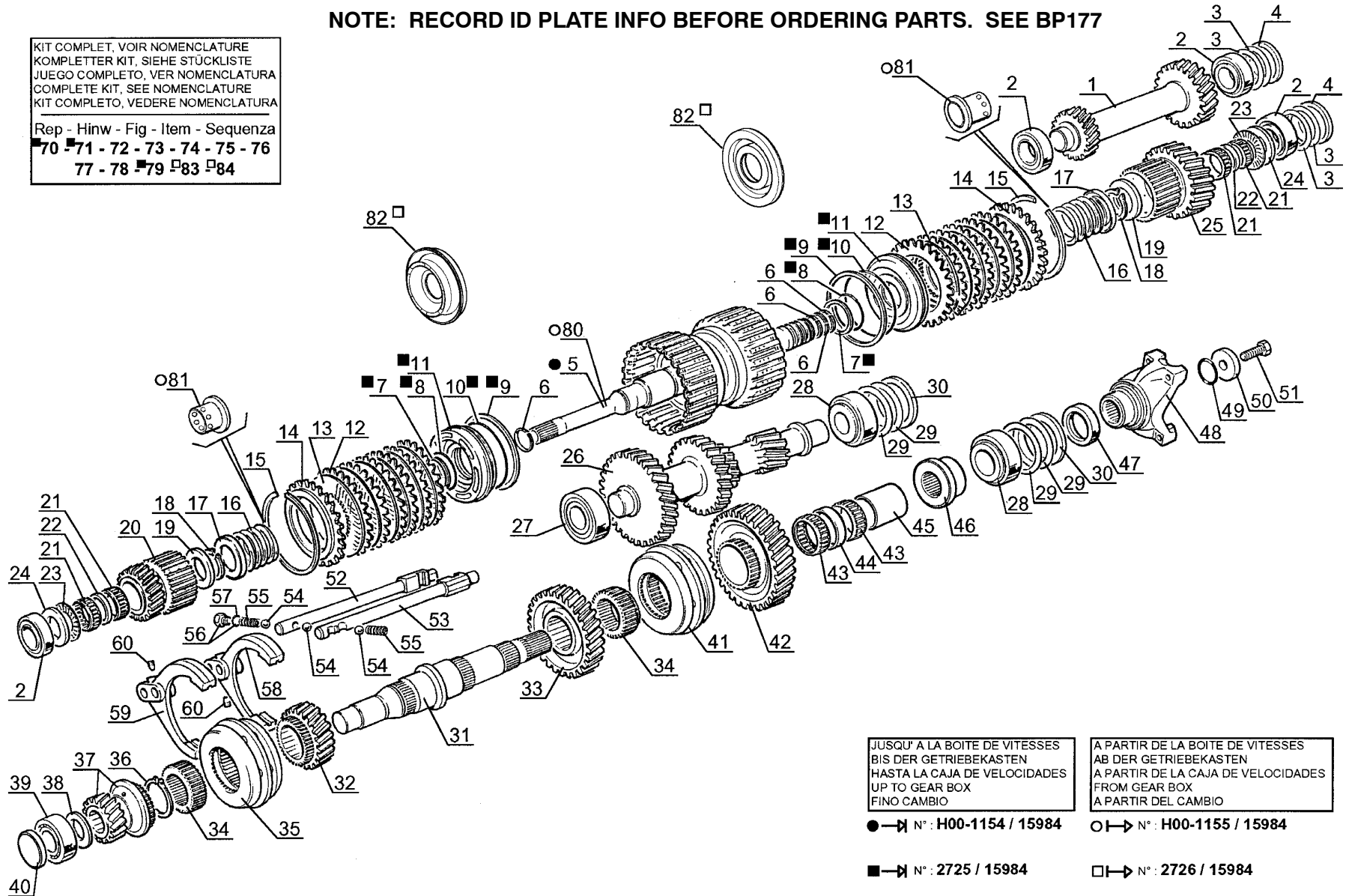
			QUANTITY / MODEL										BP 178				
1																	
K-D HAWK																	
TRANSMISSION, 4-SPEED, 2WD, EXTERNAL COMPONENTS																	
ITEM	PART NO.	DESCRIPTION	30-2	40-2													
1	561840	Transmission housing	1	1													
2	561841	Transmission rear case	1	1													
3	550705	Plug	13	13													
4	109657	O-ring	13	13													
5	109727	Screw	16	16													
6	109703	Stud bolt	2	2													
7	561833	O-ring	3	3													
8	561835	Plug	1	1													
9	109657	O-ring	1	1													
10	473366	Drain plug	1	1													
11	473915	O-ring	1	1													
12	109705	Air breather	1	1													
13	705009	Oil pressure switch	1	1													
15	561829	Screw	4	4													
16	561837	Filter housing	1	1													
17	109646	Gasket	1	1													
18	109658	Connection	1	1													
19	561749	Oil filter	1	1													
20	109728	Screw	2	2													
21	561836	Ball	1	1													
22	561765	Spring	1	1													
23	561827	O-ring	1	1													
24	561828	Plug	1	1													
25	561822	Plug	2	2													
26	561834	Plug	1	1													
27	561930	Pump, complete	1	1													
28	109690	Seal	1	1													
29	109676	O-ring	1	1													
30	561760	Screw	4	4													
31	109659	Washer	4	4													

83.00

NOTE: RECORD ID PLATE INFO BEFORE ORDERING PARTS. SEE BP177

KIT COMPLET, VOIR NOMENCLATURE
KOMPLETTER KIT, SIEHE STÜCKLISTE
JUEGO COMPLETO, VER NOMENCLATURA
COMPLETE KIT, SEE NOMENCLATURE
KIT COMPLETO, VEDERE NOMENCLATURA

Rep - Hinw - Fig - Item - Sequenza
70 71 - 72 - 73 - 74 - 75 - 76
77 - 78 79 83 84



JUSQU' A LA BOITE DE VITESSES
BIS DER GETRIEBEKASTEN
HASTA LA CAJA DE VELOCIDADES
UP TO GEAR BOX
FINO CAMBIO

A PARTIR DE LA BOITE DE VITESSES
AB DER GETRIEBEKASTEN
A PARTIR DE LA CAJA DE VELOCIDADES
FROM GEAR BOX
A PARTIR DEL CAMBIO

● → N° : H00-1154 / 15984

○ → N° : H00-1155 / 15984

■ → N° : 2725 / 15984

□ → N° : 2726 / 15984

1	K-D HAWK TRANSMISSION, 4-SPEED, 2WD, INTERNAL COMPONENTS		QUANTITY / MODEL										BP 76		
			30-2	40-2											
ITEM	PART NO.	DESCRIPTION	30-2	40-2											
1	561791	Reverse idler gear	1	1											
2	109701	Bearing	4	4											
3	109615	Shim .051mm (.002 in)	A/R	A/R											
3	109616	Shim .076mm (.003 in)	A/R	A/R											
3	109617	Shim .127mm (.005 in)	A/R	A/R											
3	109618	Shim .178mm (.007 in)	A/R	A/R											
3	109619	Shim .381mm (.015 in)	A/R	A/R											
3	109620	Shim .508mm (.020 in)	A/R	A/R											
4	109597	Spacer	2	2											
5	561792	Input shaft	1	1											
6	109624	Seal	4	4											
7	561805	Seal, inner	2	2											
8	561806	O-ring	2	2											
9	561803	Seal, outer	2	2											
10	561804	O-ring	2	2											
11	561802	Piston	2	2											
12	561797	Clutch disc	12	12											
13	561798	Friction disc	12	12											
14	561796	Plate	2	2											
15	561795	Circlips	2	2											
16	561801	Spring	2	2											
17	561800	Bushing	2	2											
18	561799	Circlips	2	2											
19	561789	Thrust washer	2	2											
20	561793	Forward primary gear	1	1											
21	109651	Roller bearing	4	4											
22	561809	Spacer	2	2											

84.00

A PARTIR DE LA BOITE DE VITESSE
 AB DER GETRIEBEKASTEN
 A PARTIR DE LA CAJA DE VELOCIDADES
 FROM GEAR BOX
 A PARTIR DEL CAMBIO

↳ N°: **H00-1155**

JUSQU'A LA BOITE DE VITESSES
 BIS DER GETRIEBEKASTEN
 HASTA LA CAJA DE VELOCIDADES
 UP TO GEAR BOX
 FINO CAMBIO

↳ N°: **2638**

★ NON LIVRE AVEC REP. 1
 NICHT GELIEFERT MIT HINW. 1
 NO ENTREGADOS CON FIG. 1
 NOT DELIVERED WITH ITEM. 1
 NO CONSEGNARE CON SEQU. 1

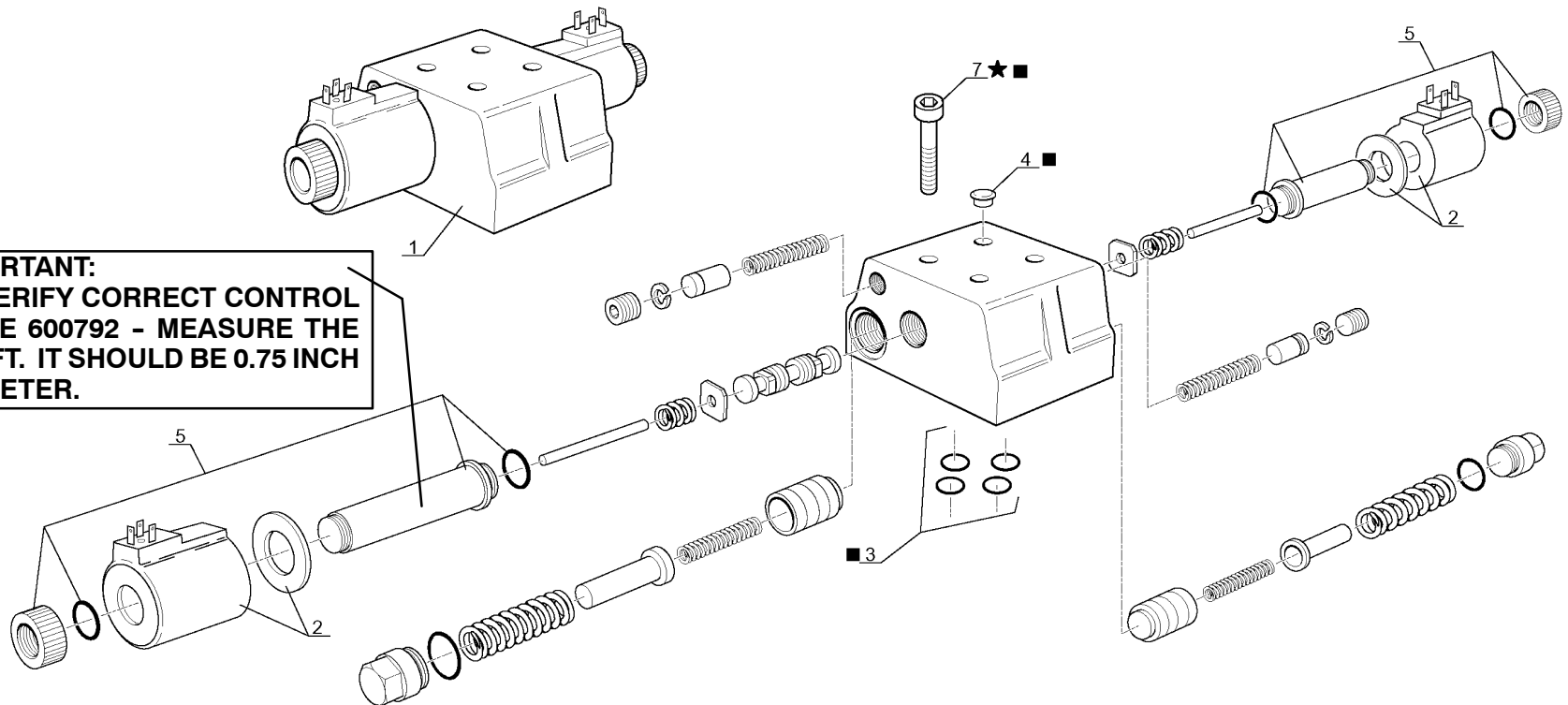
NOTE: RECORD ID PLATE INFO BEFORE ORDERING PARTS (SEE BP177)
SEE ALSO: BP203

■ KIT COMPLET, VOIR NOMENCLATURE
 KOMPLETTER KIT, SIEHE STÜCKLISTE
 JUEGO COMPLETO, VER NOMENCLATURA
 COMPLETE KIT, SEE NOMENCLATURE
 KIT COMPLETO, VEDERE NOMENCLATURA

Rep - Hinw - Fig - Item - Sequenza

6

**IMPORTANT:
 TO VERIFY CORRECT CONTROL
 VALVE 600792 - MEASURE THE
 SHAFT. IT SHOULD BE 0.75 INCH
 DIAMETER.**



			QUANTITY / MODEL										BP 180				
1	K-D HAWK TRANSMISSION, 4-SPEED, 2WD, CONTROL VALVE																
ITEM	PART NO.	DESCRIPTION	30-2	40-2													
1	600792	Electrical control valve	1	1													
2	561944	Solenoid	2	2													
3	561943	Seal kit	1	1													
4	562043	Plug	4	4													
5	604258	Solenoid bracket	2	2													
6	702384	Small parts kit	1	1													
7	561829	Screw	4	4													

85.00

BP 203

K-D HAWK TRANSMISSION, 4-SPEED, 2/4WD, CONTROL VALVE
2WD TRANSMISSION REF: 222572 TYPE: 15984
4WD TRANSMISSION REF: 222573 TYPE: 15985

30-2
40-2

30-4
40-4

30-2 H
40-2 H

30-4 H
40-4 H

POUR BOITE DE VITESSE
FÜR GETREIBEKASTEN
PARA CAJA DE VELOCIDADES
FOR GEAR BOX
PER CAMBIO

A PARTIR DE LA BOITE DE VITESSE
AB DER GETREIBEKASTEN
A PARTIR DE LA CAJA DE VELOCIDADES
FROM GEAR BOX
A PARTIR DEL CAMBIO

Type: 15984 Réf: 222 572
 Type: 15985 Réf: 222 573

↳ N°: 2639
↳ N°: 2208

■ KIT COMPLET, VOIR NOMENCLATURE
KOMPLETTER KIT, SIEHE STÜCKLISTE
JUEGO COMPLETO, VER NOMENCLATURA
COMPLETE KIT, SEE NOMENCLATURE
KIT COMPLETO, VEDERE NOMENCLATURA

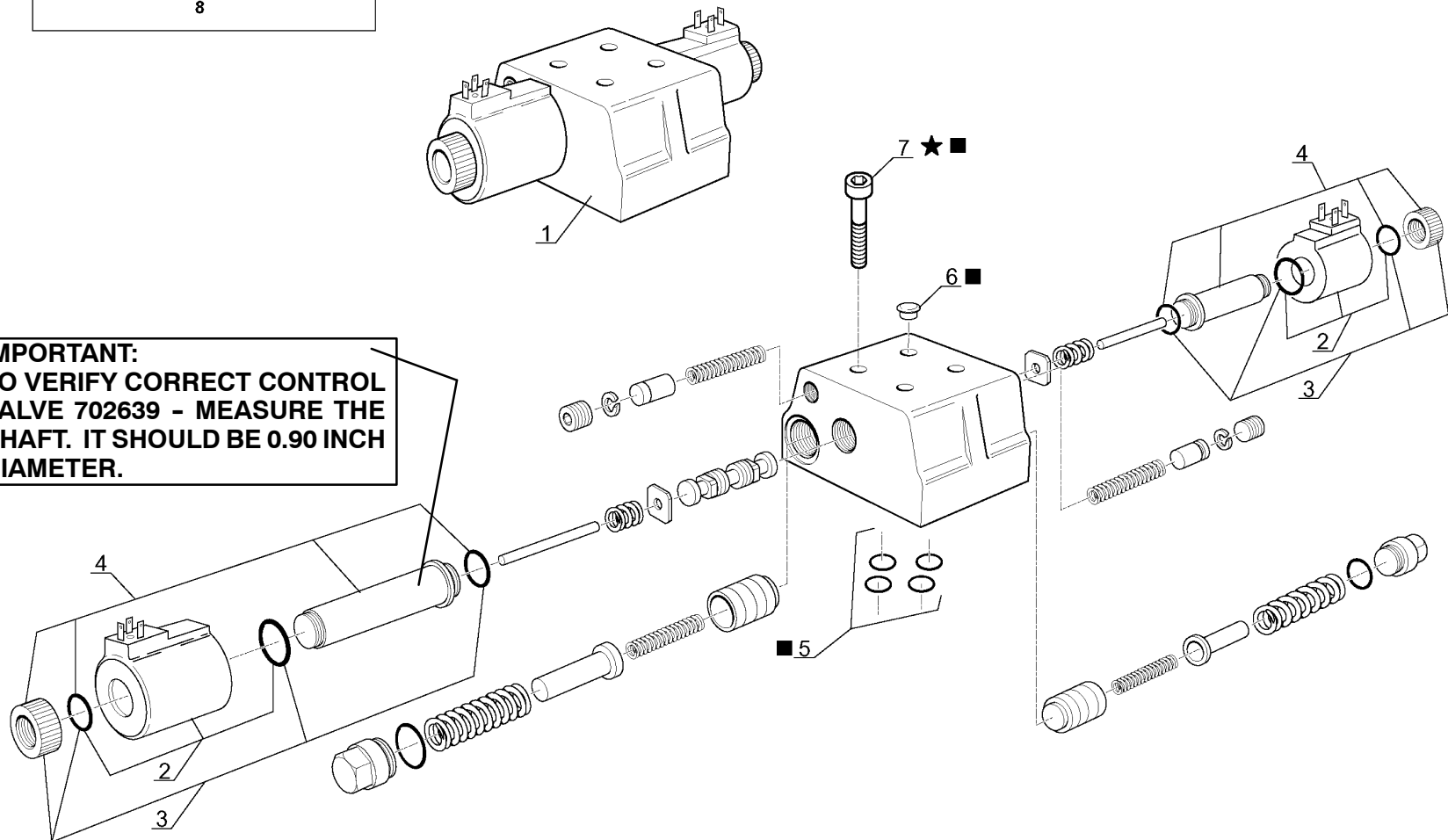
Rep - Hinw - Fig - Item - Sequenza

8

★ NON LIVRE AVEC REP. 1
NICHT GELIEFERT MIT HINW. 1
NO ENTREGADOS CON FIG. 1
NOT DELIVERED WITH ITEM. 1
NO CONSEGNARE CON SEQU. 1

**NOTE: RECORD ID PLATE INFO BEFORE ORDERING PARTS
(SEE BP177 OR BP181).**

**IMPORTANT:
TO VERIFY CORRECT CONTROL
VALVE 702639 - MEASURE THE
SHAFT. IT SHOULD BE 0.90 INCH
DIAMETER.**



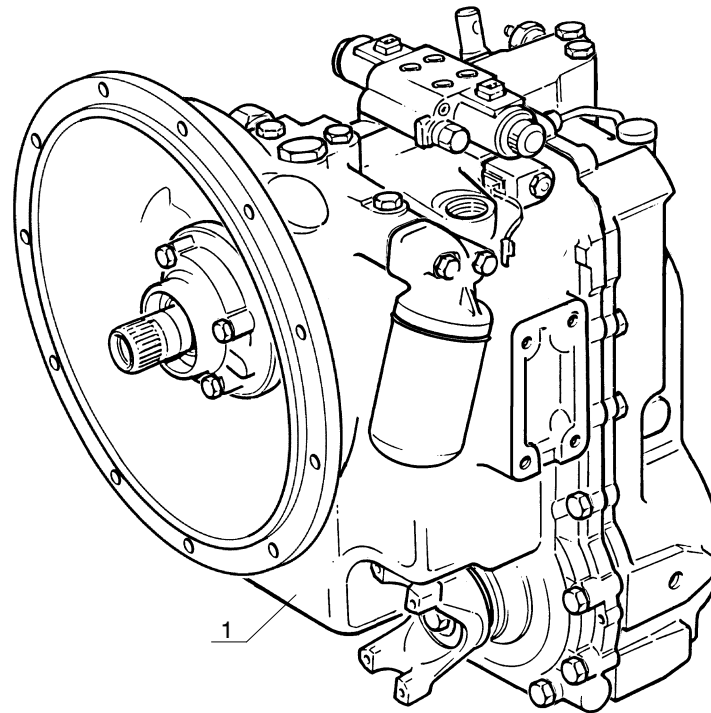
ITEM	PART NO.	DESCRIPTION	QUANTITY / MODEL								BP 203			
			30-2	40-2					30-2 H	40-2 H				
1/1	K-D HAWK TRANSMISSION, 4-SPEED, 2/4WD, CONTROL VALVE 2WD TRANSMISSION REF: 222572 TYPE: 15984 4WD TRANSMISSION REF: 222573 TYPE: 15985		30-4	40-4					30-4 H	40-4 H				
1	702639	Electrical control valve	1	1					1	1				
2	702381	Solenoid	2	2					2	2				
3	702382	Small parts kit	1	1					1	1				
4	702383	Solenoid bracket	1	1					1	1				
5	561943	Seal kit	1	1					1	1				
6	562043	Plug	4	4					4	4				
7	561829	Screw	4	4					4	4				
8	702384	Small parts kit	1	1					1	1				

SAMPLE 4WD TRANSMISSION ID PLATE



NOTE:
BEFORE ORDERING TRANSMISSION
PARTS RECORD ALL INFORMATION
STAMPED ON THE ID PLATE.

SEE 4AA606 FOR DIPSTICK ASSEMBLY



			QUANTITY / MODEL										BP 181		
1			<i>K-D HAWK</i> TRANSMISSION, 4-SPEED, 4WD												
ITEM	PART NO.	DESCRIPTION	30-4	40-4											
1	222573	Gear box, complete	1	1											
														86.00	

JUSQU' A LA BOITE DE VITESSES
BIS DER GETRIEBEKASTEN
HASTA LA CAJA DE VELOCIDADES
UP TO GEAR BOX
FINO LA MACHINA

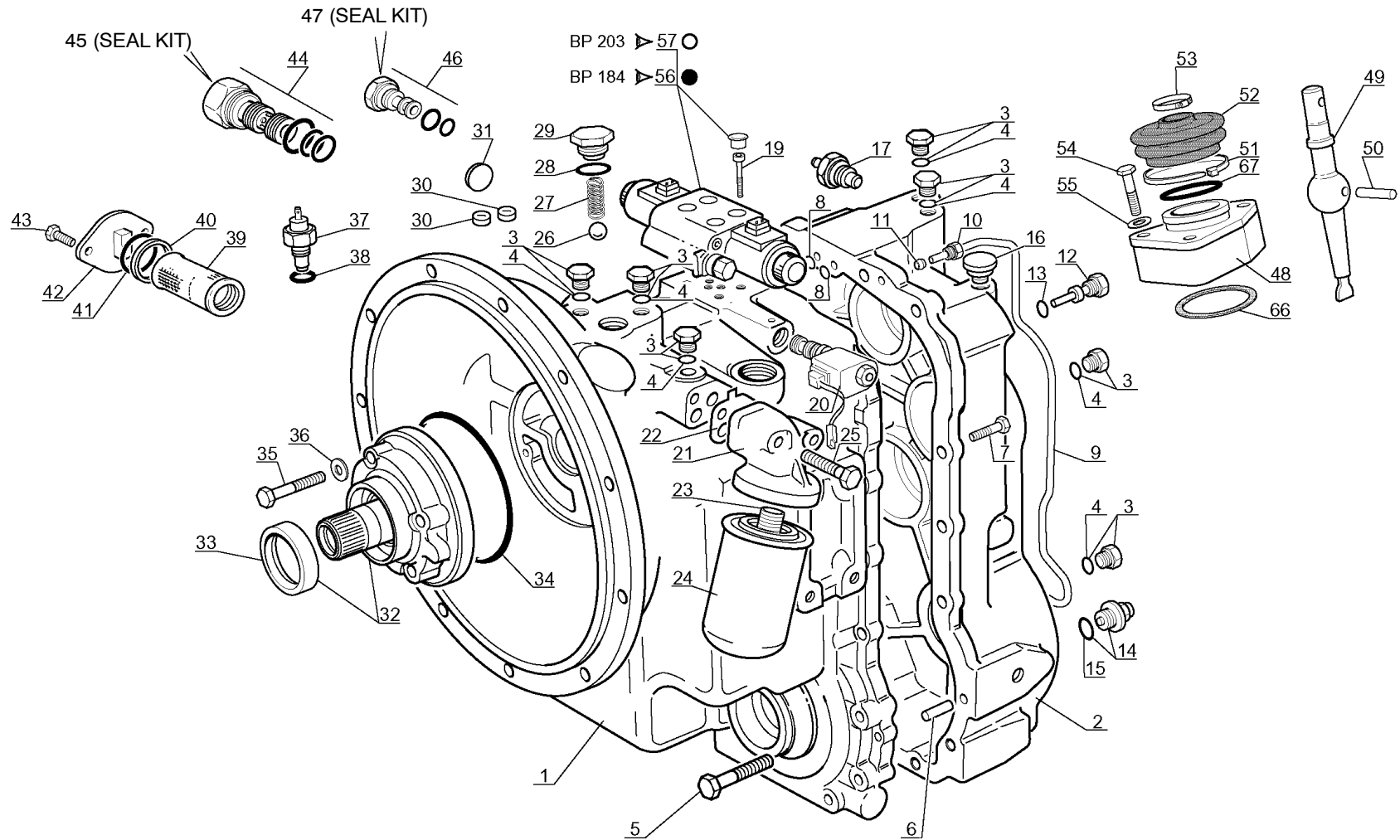
A PARTIR DE LA BOITE DE VITESSES
AB DER GETRIEBEKASTEN
A PARTIR DE LA CAJA DE VELOCIDADES
FROM GEAR BOX
A PARTIR DA CAMBIO

● → N° : 2207

○ → N° : 2208

■ → N° : 2256

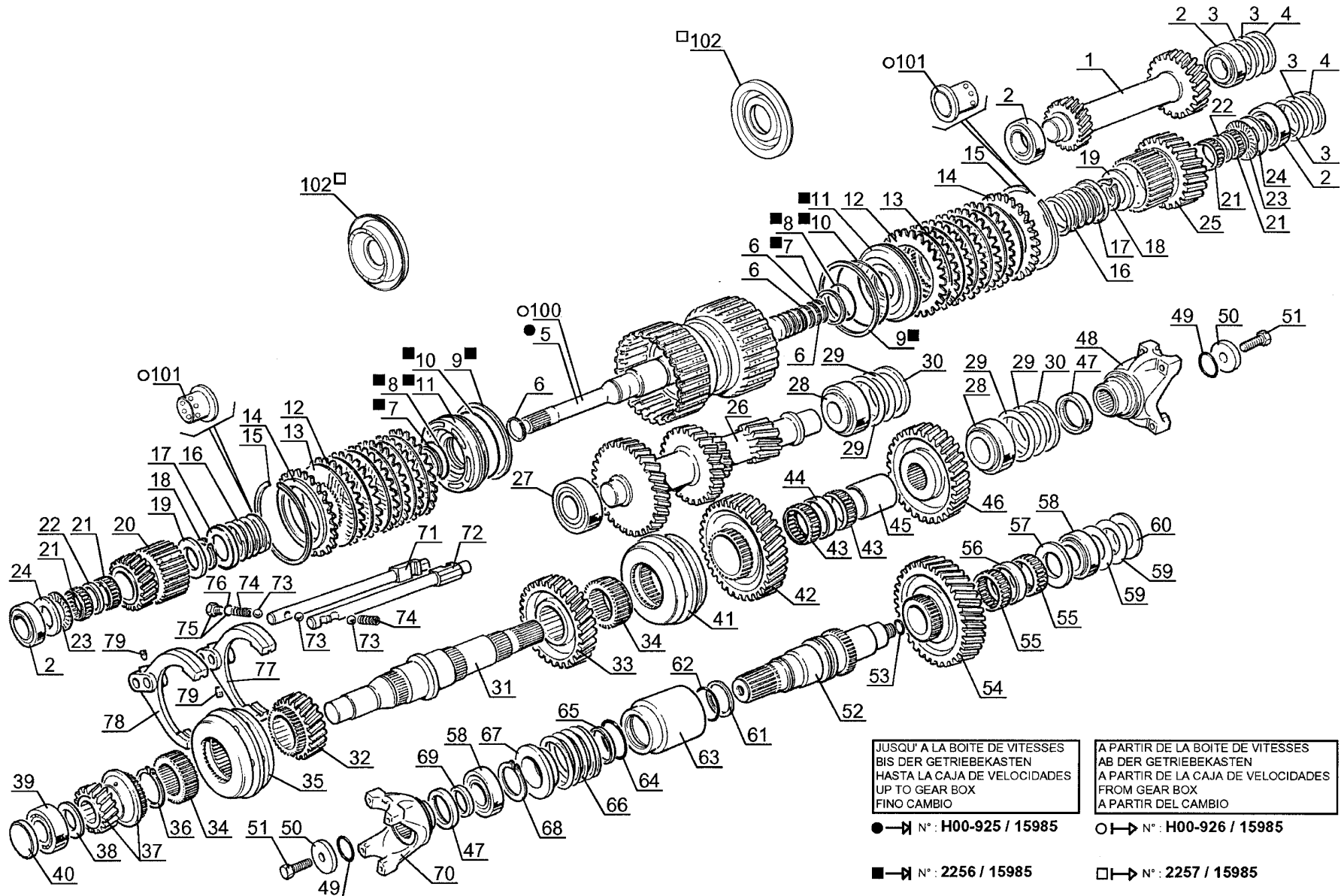
**NOTE: RECORD ID PLATE INFO BEFORE ORDERING PARTS.
SEE BP181**



			QUANTITY / MODEL												BP 182				
			30-4	40-4															
ITEM	PART NO.	DESCRIPTION																	
1	K-D HAWK TRANSMISSION, 4-SPEED, 4WD, EXTERNAL COMPONENTS																		
1	561757	Transmission housing	1	1															
2	561758	Transmission rear case	1	1															
3	550705	Plug	13	13															
4	109657	O-ring	13	13															
5	561759	Screw	4	4															
6	109703	Stud bolt	2	2															
7	109727	Screw	13	13															
8	561833	O-ring	4	4															
9	561825	Pipe	1	1															
10	561824	Nut	2	2															
11	561826	Bushing	2	2															
12	561835	Plug	1	1															
13	109657	O-ring	1	1															
14	473366	Drain plug	1	1															
15	147915	O-ring	1	1															
16	109705	Air breather	1	1															
17	705009	Oil pressure switch	1	1															
19	561829	Screw	4	4															
20	561831	Solenoid	1	1															
21	561837	Filter housing	1	1															
22	109646	Gasket	1	1															
23	109658	Connection	1	1															
24	561749	Oil filter	1	1															
25	109728	Screw	2	2															
26	561836	Ball	1	1															
27	561765	Spring	1	1															
28	561827	O-ring	1	1															

87.00

**NOTE: RECORD ID PLATE INFO BEFORE ORDERING PARTS.
SEE BP181**



JUSQU' A LA BOITE DE VITESSES
BIS DER GETRIEBEKASTEN
HASTA LA CAJA DE VELOCIDADES
UP TO GEAR BOX
FINO CAMBIO

A PARTIR DE LA BOITE DE VITESSES
AB DER GETRIEBEKASTEN
A PARTIR DE LA CAJA DE VELOCIDADES
FROM GEAR BOX
A PARTIR DEL CAMBIO

● → N°: H00-925 / 15985

○ → N°: H00-926 / 15985

■ → N°: 2256 / 15985

□ → N°: 2257 / 15985

			QUANTITY / MODEL												BP 183				
			30-4	40-4															
ITEM	PART NO.	DESCRIPTION																	
1	K-D HAWK	TRANSMISSION, 4-SPEED, 4WD, INTERNAL COMPONENTS																	
1	561791	Reverse idler gear	1	1															
2	109701	Bearing	4	4															
3	109615	Shim .051mm (.002 in)	4	4															
3	109616	Shim .076mm (.003 in)	A/R	A/R															
3	109617	Shim .127mm (.005 in)	A/R	A/R															
3	109618	Shim .178mm (.007 in)	A/R	A/R															
3	109619	Shim .381mm (.015 in)	A/R	A/R															
3	109620	Shim .508mm (.020 in)	A/R	A/R															
4	109597	Spacer	2	2															
5	561792	Input shaft	1	1															
6	109624	Seal	4	4															
7	561805	Seal, inner	2	2															
8	561806	O-ring	2	2															
9	561803	Seal, outer	2	2															
10	561804	O-ring	2	2															
11	561802	Piston	2	2															
12	561797	Clutch disc	12	12															
13	561798	Friction disc	12	12															
14	561796	Plate	2	2															
15	561795	Circlips	2	2															
16	561801	Spring	2	2															
17	561800	Bushing	2	2															
18	561799	Circlips	2	2															
19	561789	Thrust washer	2	2															
20	561793	Forward primary gear	1	1															
21	109651	Roller bearing	4	4															
22	561809	Spacer	2	2															

88.00

**NOTE: RECORD ID PLATE INFO BEFORE ORDERING PARTS (SEE BP181).
 SEE ALSO: BP203.**

POUR BOITE DE VITESSE
 FÜR GETREIBEKASTEN
 PARA CAJA DE VELOCIDADES
 FOR GEAR BOX
 PER CAMBIO

A PARTIR DE LA BOITE DE VITESSE
 AB DER GETREIBEKASTEN
 A PARTIR DE LA CAJA DE VELOCIDADES
 FROM GEAR BOX
 A PARTIR DEL CAMBIO

JUSQU'A LA BOITE DE VITESSES
 BIS DER GETREIBEKASTEN
 HASTA LA CAJA DE VELOCIDADES
 UP TO GEAR BOX
 FINO CAMBIO

□ Type: **15985** Réf: **222 573** ↳ N°: **H00-926**

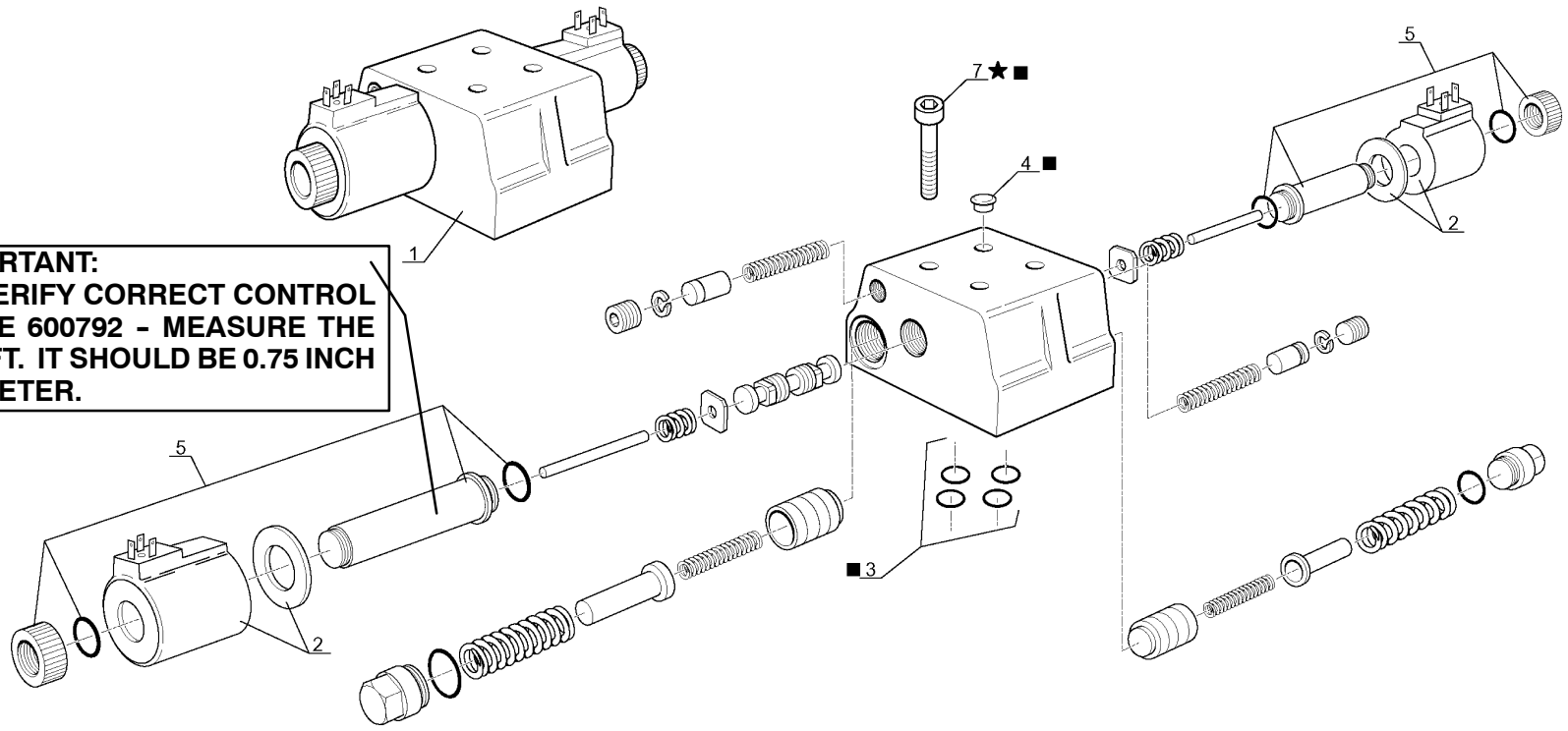
↳ N°: **2207**

★ NON LIVRE AVEC REP. 1
 NICHT GELIEFERT MIT HINW. 1
 NO ENTREGADOS CON FIG. 1
 NOT DELIVERED WITH ITEM. 1
 NO CONSEGNARE CON SEQU. 1

■ KIT COMPLET, VOIR NOMENCLATURE
 KOMPLETTER KIT, SIEHE STÜCKLISTE
 JUEGO COMPLETO, VER NOMENCLATURA
 COMPLETE KIT, SEE NOMENCLATURA
 KIT COMPLETO, VEDERE NOMENCLATURA

Rep - Hinw - Fig - Item - Sequenza
 6

**IMPORTANT:
 TO VERIFY CORRECT CONTROL
 VALVE 600792 - MEASURE THE
 SHAFT. IT SHOULD BE 0.75 INCH
 DIAMETER.**



			QUANTITY / MODEL										BP 184			
			30-4	40-4												
ITEM	PART NO.	DESCRIPTION														
1	<i>K-D HAWK</i> TRANSMISSION, 4-SPEED, 4WD, CONTROL VALVE TRANSMISSION REF: 222573 TYPE: 15985															
1	600792	Electrical control valve	1	1												
2	561944	Solenoid	2	2												
3	561943	Seal kit	1	1												
4	562043	Plug	4	4												
5	604258	Solenoid bracket	2	2												
6	702384	Small parts kit	1	1												
7	561829	Screw	4	4												

89.00

PARTS INDEX: *Part no., Item no., - Page*

CATALOG 806340, R05-08

105101	109602, 29, BP76-2, BP183-2	109701, 2, BP76-1, BP183-1	133296, 27, AX1851-2	169437, 1, 7AA63-1	200317, 3, 7AA63-1	219432, 24, 4AA606-1
6, AX1851-1			133570	174132	200944, 31, BC153-2	219518, 12, 6AA374-1
8, AX1865-1	109612	109703, 6, BP178-1, BP182-1	19, AX1864-1	2, 9AA322-1	201149, 4, BC153-1	219559, 12, 6BB156-1
105131, 19, AX1851-1	47, BP178-2		39, AX1449-2	4, 11AA1033-1, 11AA1034-1	201197, 32, BC153-2	220645, 3, 6BA215-1
105424, 9, AX1865-1	52, BP182-2	109705	133574, 9, AP1558-1	8, 4AB152-1	201198	221172
105491, 9, AX1851-1	109615, 3, BP76-1, BP183-1		133636	9, 10AF562-1	23, BC153-1	44, 10AA636-1
106010, 2, AX1415-1	109616, 3, BP76-1, BP183-1		2, AP1558-1	174321, 4, 8AA475-1	9, BC153-1	7, 10AA633-1
106080, 8, AX1450-1	109617, 3, BP76-1, BP183-1	109709	7, AP1555-1	175498, 31, 6BB156-2	201199, 26, BC153-1	221174, 2AA165-0
106389	109618, 3, BP76-1, BP183-1	54, BP76-3	133641	175743	20125, 8, 11AA1033-1, 11AA1034-1	38, 10AA636-1
19, AP1554-1		73, BP183-4	5, AP1557-1	26, 10DA318-1	2022572	1, BP177-1
2, 11CD130-1	109619, 3, BP76-1, BP183-1	109727	9, AP1557-1	27, 10AA634-1	202144, 1, 6BB158-1	14, 4AA606-1
106533	109620, 3, BP76-1, BP183-1	5, BP178-1	133655	29, 10AE763-2	202226	
1, AX1412-1, AX1856-1	109621, 43, BP76-2, BP183-1	7, BP182-1	10, AP1554-1	176864, 6, 10AA633-1	22, 10DA318-1	1, BP181-1
10, AX1450-1	109622, 27, BP76-2, BP183-1	109728	7, AP1556-1	177274, 20, 10AE763-1	43, 10AE763-2	11, 4AA606-1
32, AX1865-2	109623, 6, BP76-1, BP183-1	20, BP178-1	133658	178696, 12, 10AF562-1	202703, 25, 11AA1033-1, 11AA1034-1	223481, 4, 6BA215-1
106550, 4, AX1449-1, AX1864-1	109624, 6, BP76-1, BP183-1	25, BP182-1	10, AP1557-1	184036, 3, 9AA322-1	202731	223902, 7, 9AA322-1
106567, 42, AX1415-1	109625, 45, BP76-2, BP183-2	109732	6, AP1557-1	184642, 10, 6AA374-1	11, 8AA501-1,	223903, 8, 9AA322-1
106842, 13, AX1851-1	109626, 4, BP76-1, BP183-1	38, BP178-2	133713, 11, AP1558-1	184817, 6, 11AA1033-1, 11AA1034-1	8AA475-1	223904, 9, 9AA322-1
107286, 22, AX1415-1	109627, 8, AP1566-1	43, BP182-2	133714, 4, AP1558-1	185054, 1, 8AA502-1	4, 9AA322-1	224345, 10, 9AA322-1
107293	109628, 17, BP178-1	109737	133739	187283, 11, 4AC216-1	9, 8AA500-1	224773, 64, 11AA1033-3, 11AA1034-3
20, AX1864-1	22, BP182-1	60, BP76-3	20, AP1556-1	187294, 12, 4AC216-1	202947, 2, 8AA502-1	224774, 63, 11AA1033-3, 11AA1034-3
41, AX1449-2	109651, 21, BP76-1, BP183-1	79, BP183-4	25, AP1558-1	187485, 10, 4AC216-1	202953, 5, 8AA475-1	225199
107294	109652, 44, BP76-2, BP183-2	109751	133768, 5, AP1555-1	187898, 8, 10CE15-1	202954, 6, 8AA475-1	
21, AX1864-2	109653, 44, BP76-2, BP183-2	11, 7AB14-1	133770, 6, AP1555-1	189172	203115, 2, 8AA475-1	1, 6BA54-1
42, AX1449-2	109656, 47, BP76-2, BP183-3	6, 4AB149-1	133792, 16, AP1557-1	15, 4AA607-1	203524, 4, 7AA63-1	5, 6BA215-1
107349, 20, AP1558-1	109657	9, 6AA369-1	133793, 15, AP1557-1	5, 8AA500-1, 8AA501-1	204069, 18, 6BB158-1	225751, 6, 6BA215-1
107363	13, BP182-1	10, 6AA369-1	133831, 3, AP1554-1	189535	204220, 32, 10AE763-2	226807, 5, 4AA623-1
12, AP1559-1	33, BP178-2	12, 7AB14-1	109752	15, 4AC216-1	205275	229433, 5, 7AA63-1
18, AP1558-1	38, BP182-2	5, 4AB149-1	10, AP1554-1	3, 10AA634-1	21, 6BB158-1	229587, 1, 4AA623-1
23, AP1558-1	4, BP178-1, BP182-1	109798, 50, BP76-3, BP183-3	139365, 9, AP1554-1	4, 10AA633-1	5, 9AA322-1	230605, 7, 6BA215-1
38, 4AC217-1	57, BP76-3	109834, 5, AP1555-1	139495, 6, AP1559-1	189536	205809, 30, 8AA501-1	233353, 8, 6BA215-1
107702, 8, AP1566-1	76, BP183-4	109835, 6, AP1555-1	147915, 15, BP182-1	14, 4AC216-1	207783, 3, 8AA502-1	233837, 29, 6BB156-2
107751, 19, AX1415-1	9, 11CD130-1, BP178-1	109912, 7, AX1449-1, AX1864-1	162229	2, 10AA634-1	207784, 68, 10BA301-1	234267, 46, 4AB151-1
107796	109658	133027, 53, AX1851-3	1, 9AA322-1	3, 10AA633-1	207785, 67, 10BA301-1	234292
16, AX1865-1	18, BP178-1	133044	16, 6BB158-1	189857	208561, 51, 4AB151-1	11, 10AA636-1
3, AX1415-1	23, BP182-1		9, 8AA475-1, AP1842-1	16, 4AA607-1	208701	5, 10AA634-1
5, AX1584-1	31, BP178-1			8, AP1842-1	1, BC108-1	
108100, 7, AX1865-1	36, BP182-2			190442, 32, 6BB156-2	45, 4AB151-1	
108556, 61, AX1851-3	39, BP182-2			191613, 15, 8AA475-1	209113, 4, 8AA502-1	234798, 6, 12AA461-1
108564, 10, AP1565-1	109568, 42, BP76-2, BP183-2			192093, 5, 10AE763-1	209115, 6, 9AA322-1	234799, 8, 12AA461-1
109358, 5, AP1565-1	109569			192310, 19, 11AA1033-1, 11AA1034-1	209131, 2, 10AE763-1, 10DA318-1	234802, 5, 12AA461-1
109480	34, BP178-2			192871, 18, 10DA318-1	209372, 15, 4AA606-1	234804, 39, 12AA461-2
19, AX1450-1	39, BP182-2			195069, 16, 8AA475-1	209373, 17, 4AA606-1	237802, 9, 6BA215-1
20, 3AA248-2	109568, 42, BP76-2, BP183-2			196821, 9, 8AD202-1	209374, 16, 4AA606-1	237806, 33, 6BB156-2
109565	109568, 42, BP76-2, BP183-2			196905, 62, 11AA1033-3, 11AA1034-3	209375, 19, 4AA606-1	240077, 2, 10AF562-1
34, BP178-2	109569			196951, 66, 11AA1033-3, 11AA1034-3	209376, 18, 4AA606-1	240821, 23, 6BB156-1
39, BP182-2	31, BP178-1			197335, 66, 10BA301-1	209573, 20, 4AA606-1	242496
109568, 42, BP76-2, BP183-2	36, BP182-2			197670, 4, 10CE15-1	210005, 5, 8AA502-1	1, 4AA624-1
109586, 34, BP76-2, BP183-2	109664, 36, BP76-2, BP183-2			197709, 12, 10CE15-1	210006, 6, 8AA502-1	15, 4AB149-1
109597, 4, BP76-1, BP183-1	109665			198059, 12, 8AD202-1	211278, 7, 4AA607-1	4, 4AA606-1
109598, 30, BP76-2, BP183-2	35, BP76-2, BP183-2			198060, 7, 8AD202-1	212065, 3, 11CD130-1	234382, 13, 11AA1033-1, 11AA1034-1
109599, 29, BP76-2, BP183-2	41, BP76-2, BP183-2			200316	213400, 25, 10AA634-1	244242, 2, 4AA626-1
109600, 29, BP76-2, BP183-2	109676			1, 10CE15-1	215875, 41, 11AA1033-2, 11AA1034-2	244289, 17, 4AA626-1
109601, 29, BP76-2, BP183-2	29, BP178-1			2, 7AA63-1	217947, 34, 6BB156-2	24525, 81, 10BA301-1
	34, BP182-2				218177, 3, 6AA374-1	246073, 6, 7AA61-1
	45, BP178-2				218178, 4, 6AA374-1	246347, 32, 4AA606-2
	50, BP182-2				218265, 17, 6AA374-1	24653, 41, 12AA461-2
	109690				219100	247289
	28, BP178-1				2, 6BA215-1	1, AX1855-1
	33, BP182-2				78, 11AA1033-3	3, 7AB14-1
						247292, 38, AX1865-2

PARTS INDEX: Part no., Item no., - Page

CATALOG 806340, R05-08

247331, 15, 6BB158-1 247475 1, AP1842-1 36, 4AA624-2 247594, 2, 4AA623-1 247818, 2, 4AC216-1 247819, 3, 4AC216-1 248378, 26, 4AA624-2 248379, 27, 4AA624-2 249256, 14, 10AE763-1 252947, 22, 4AA606-1 252997, 23, 4AA606-1 25713 10, 6BA215-1 7, AP1842-1 8, 10AF562-1 25714 10, 10AF562-1, 11AA1033-1, 11AA1034-1 11, 6BA215-1, 9AA322-1 22, 6BB158-1, 8AA503-1 37, 8AA501-2 7, 4AB152-1, 8AA500-1, 8AA501-1 25758, 84, 11AA1033-3 28959 10, 8AD202-1 16, 11AA1033-1, 11AA1034-1 23, 11CD133-1 68, 11AA1033-3, 11AA1034-3 29437 12, 9AA322-1 16, 8AA500-1 17, 8AA501-1 4, 4AC216-1 6, 10AA634-1, 10AE763-1 8, 10AA633-1 29441 13, 9AA322-1 32, 8AA501-1 29469 12, 6BA215-1 14, 6BB158-1 19, 8AA503-1 23, 11AA1033-1, 11AA1034-1 35, 8AA501-1 6, 8AA500-1, 8AA501-1 8, 8AA475-1 29475 2, 4AA607-1 55, 4AB151-1 6, 4AA606-1 9, 4AA623-1 30327, 12, 8AA475-1	31051, 17, 6BB158-1 3212 10, 6BB156-1 14, 9AA322-1 32963, 13, 6AA374-1 33593, 29, 4AB149-2 3411, 5, 4AC216-1 36010, 21, 4AA624-1 401831, 11, BC153-1 4039, 29, 4AA606-2 409248, 12, BC153-1 41077, 32, 11AA1033-2, 11AA1034-2 420431, 76, 4AB151-1 420732, 4, 12AA461-1 420772, 9, 12AA461-1 420774, 10, 12AA461-1 420792, 12, 12AA461-1 421116 15, 3AA249-2 57, 7AA63-2 6, 7AA63-1 421304, 55, 7AA63-2 421305, 46, 7AA63-2 421306, 48, 7AA63-2 421307, 51, 7AA63-2 421309, 52, 7AA63-2 421310, 54, 7AA63-2 421311, 53, 7AA63-2 421313, 47, 7AA63-2 421314, 49, 7AA63-2 421315, 56, 7AA63-2 421318, 7, 7AA63-1 421520, 8, 7AA63-1 421538, 50, 7AA63-2 42231 10, 4AA623-1 13, 4AB149-1, 4AB151-1 15, 6AA374-1 2, 4AA606-1 28, 10AE763-2 3, 4AA607-1 45, 4AA625-1 5, 4AA624-1, 4AB152-1 42232 13, 5AA101-1, 6BA215-1, 8AA475-1 15, 9AA322-1 17, 8AA500-1 18, 8AA501-1 19, 4AA624-1 22, 4AB149-1, 4AB151-1 6, 4AC216-1 7, 10AE763-1 42256, 9, 4AB149-1 42316 11, 10AF562-1 12, 8AA502-1 14, 6BA215-1	16, 9AA322-1 17, 11AA1033-1, 11AA1034-1 2, 6BB158-1 21, 8AA503-1 36, 8AA501-2 42322 24, 4AA626-1 28, 4AB149-2 9, 4AA606-1, 7AA63-1 42325 10, 7AA63-1 14, 10AA633-1 15, 10AE763-1 16, 4AA624-1 21, 4AB152-1 3, 6BB158-1 41, 4AA625-1 55, 11AA1033-2, 11AA1034-2 423397, 21, 12AA461-1 423398, 7, 12AA461-1 42347 15, 4AA624-1 40, 4AA625-1 5, 10AA633-1 57, 11AA1033-2, 11AA1034-3 423625, 17, 4AA624-1 4240, 8, 8AD202-1 424186, 17, 9AA322-1 424359, 2, 11CC186-1 424443, 3, 11CC186-1 424647 11, 6AA369-1 13, 7AB14-1 7, 4AB149-1 424764, 2AA165-0 10, 10AA633-1 9, 10AA634-1 424890, 51, 10AE763-2 425137, 11, 7AA63-1 425330 2, 6AA369-1 45, 4AB149-2 5, 7AB14-1 425481, 5, 4AA626-1 425493, 7, 4AA626-1 425494, 4, 4AA626-1 425495, 3, 4AA626-1 425497, 4, 10AA634-1 425501, 2AA165-0 19, 10AA633-1 20, 10AA633-1 425514, 1, 11CC186-1 425674, 12, 7AA63-1 426041, 13, 7AA63-1 426042, 14, 7AA63-1 426131, 15, 7AA63-1 426196, 40, 4AA623-1 426197, 39, 4AA623-1 426198, 41, 4AA623-1 426203, 37, 4AA623-1	426206, 35, 4AA623-1 426210, 69, 10AE763-2 426642, 44, 12AA461-2 426643, 19, 12AA461-1 426650 3, 7AA61-1 9, 7AB14-1 426688 2, 7AA61-1 8, 7AB14-1 42813 57, 4AB149-2 9, 4AA624-1 42818 23, 4AA626-1 26, 4AB149-2 44026 11, 9AA323-1 18, 9AA322-1 44672, 15, 6BA215-1 44807, 28, 4AA606-1 448930 1, 7AA61-1 16, 7AA63-1 458502, 10, BC153-1 46668 12, 11AA1033-1, 11AA1034-1 13, 6BB158-1, 8AA502-1 470680, 2AA165-0 473289, 12, AP1558-1 473290, 9, AP1563-1 473297, 6, AP1558-1 473299, 12, AP1566-1 473303, 13, AP1566-1 473309, 8, AP1559-1 473366 10, BP178-1 14, BP182-1 473368 37, BP178-2 42, BP182-2 473560, 10, AP1562-1 473575, 30, AX1865-2 473908, 8, AP1564-1 473915, 11, BP178-1 473920 55, BP76-3 74, BP183-4 473939, 39, 4AC217-1 473943 13, AP1562-1 15, AP1562-1 30, AP1558-2 33, AP1558-2 37, 4AC217-1 473950, 46, 4AC217-1 473955 11, AP1562-1 5, AP1559-1 63, 4AC217-2 473958, 4, AP1566-1	473969 11, AP1565-1 3, AP1567-1 473971, 6, AP1566-1 473972, 7, AP1566-1 473973, 2, AP1566-1 473975, 3, AP1566-1 473976, 5, AP1566-1 473977, 14, AP1566-1 473982, 4, AP1563-1 473986 15, AP1559-1 32, 4AC217-1 5, AP1562-1 473988, 17, AP1559-1 474005 24, AP1558-1 8, AP1561-1, AP1562-1 474007, 3, AP1558-1 474018, 13, AP1560-1 474023, 9, AP1562-1 474031, 61, 4AC217-2 474037, 21, AP1555-1 474038, 22, AP1555-1 474056, 4, AP1559-1 474059, 5, AP1842-1 474060, 6, AP1842-1 474064 28, AP1558-1 54, 4AC217-2 474101, 6, AP1556-1 474105, 34, AP1558-2 474129, 9, AP1559-1 474138, 16, AP1554-1 474298 17, AX1864-1 34, AX1449-2 474300 17, AX1864-1 34, AX1449-2 474312, 45, AX1865-2 474313, 46, AX1865-2 474783, 24, BC153-1 475057, 3, AP1563-1 475059 14, AX1851-1 5, AX1415-1 475201 10, AP1559-1 11, AP1559-1 475260, 16, 3AA249-2 476074 29, AP1558-2 4, AP1562-1 5, AP1563-1 476167, 5, AP1564-1 476168 2, AP1567-1 4, AP1564-1 476318, 5, 10DA318-1 476321, 6, 10DA318-1 476322, 9, 10DA318-1	476324, 10, 10DA318-1 476325, 11, 10DA318-1 476341, 8, 10DA318-1 476850 13, 10DA318-1 14, 10DA318-1 15, 10DA318-1 476954, 2AA165-0 13, AP1561-1 477473 22, AX1449-1 57, AX1851-3 477474, 50, AX1851-3 477475, 29, AX1851-2 477476, 30, AX1851-2 477538, 2, AX1584-1 477693, 27, AX1449-1 477748, 24, 4AC217-1 477755, 7, AP1564-1 477781, 14, AP1559-1 477847, 12, AX1865-1 477964, 1, AX1584-1 478022, 5, AX1851-1 479218, 8, 6BB156-1 479275, 69, 10BA301-1 480079, 17, 10AF562-1 48384, 36, 10AA636-1 488236 11, 10AA633-1 8, 10AA634-1 491718, 1, 8AA503-1 491779, 26, 12AA461-1 49330, 8, 6BA54-1 493370, 2, 8AD202-1 493481, 22, 12AA461-1 49369, 5, 6BA54-1 49370, 4, 6BA54-1 493789, 5, 6BB158-1 494918, 16, 12AA461-1 495931 2, 8AA481-1 3, 8AA480-1 496143, 13, 12AA461-1 496162, 24, 12AA461-1 496425, 12, AX1412-1 496426, 21, AX1449-1 496428, 22, AX1865-1 496429, 27, AX1865-1 496430, 62, AX1851-3 496431, 64, AX1851-3 496538, 3, 12AA461-1 496653, 45, 12AA461-2 496680, 76, 11AA1033-3, 11AA1034-3 496687, 50, 11AA1033-2, 11AA1034-2 496735, 17, 12AA461-1 496810, 12, 10AA635-1 496829, 25, 10AE763-1 496830, 19, 10AE763-1 496861, 31, 10AE763-2 496998, 2AA165-0 497922, 35, 6BB156-2	508565, 2AA165-0 508802, 32, 4AB149-2 514278, 16, 6BA215-1 5239, 7, 10CE15-1 524789, 48, 4AB151-1 5323, 60, 11AA1033-3, 11AA1034-3 53501, 19, 9AA322-1 5398, 11, 6BB156-1 54232 11, 8AD202-1 20, 9AA322-1 22, 11AA1033-1, 11AA1034-1 24, 11CD133-1 67, 11AA1033-3, 11AA1034-3 54242, 22, 4AA626-1 548112, 4, 10DA318-1 548894, 12, 10DA318-1 548898, 7, AP1559-1 549100, 10, 11CD130-1 54951 27, 6BB156-1 56, 11AA1033-2, 11AA1034-2 549672, 17, 10DA318-1 549774, 16, 10DA318-1 550482, 4, AP1565-1 550493, 10, AP1560-1 550507, 6, AP1561-1 550520, 68, 10AE763-3 550556 2, AX1864-1 38, AX1449-2 550557 2, AX1864-1 38, AX1449-2 550626 35, BP178-2 40, BP182-2 550627 36, BP178-2 41, BP182-2 550632, 40, BP76-2, BP183-2 550636, 49, BP76-3, BP183-3 550705 3, BP178-1, BP182-1 56, BP76-3 75, BP183-4 551239, 3, 10DA318-1 551242, 66, 10AE763-3 551255, 8, 4AA607-1 551256, 9, 4AA607-1 551257, 11, 4AA607-1 551258, 10, 4AA607-1 551259, 12, 4AA607-1 551373, 46, BP76-2 551451, 31, 8AA501-1 551500, 48, 4AC217-1 551615
------------------------------------------------------------------------------------------------------------------------------------------------------------------------------------------------------------------------------------------------------------------------------------------------------------------------------------------------------------------------------------------------------------------------------------------------------------------------------------------------------------------------------------------------------------------------------------------------------------------------------------------------------------------------------------------------------------------------------------------------------------------------------------------------------------------------------------------------------------------------------------------------------------------------------------------------------------------------------------------------------------------------------------------------------	---------------------------------------------------------------------------------------------------------------------------------------------------------------------------------------------------------------------------------------------------------------------------------------------------------------------------------------------------------------------------------------------------------------------------------------------------------------------------------------------------------------------------------------------------------------------------------------------------------------------------------------------------------------------------------------------------------------------------------------------------------------------------------------------------------------------------------------------------------------------------------------------------------------------------------------------------------------------------------------------------------------------------------------------------------------------------------------------------------------------------------------------------------------------------------------------	-----------------------------------------------------------------------------------------------------------------------------------------------------------------------------------------------------------------------------------------------------------------------------------------------------------------------------------------------------------------------------------------------------------------------------------------------------------------------------------------------------------------------------------------------------------------------------------------------------------------------------------------------------------------------------------------------------------------------------------------------------------------------------------------------------------------------------------------------------------------------------------------------------------------------------------------------------------------------------------------------------------------------------------------------------------------------------------------------------------------------------------------------------------------------------------------------------------	----------------------------------------------------------------------------------------------------------------------------------------------------------------------------------------------------------------------------------------------------------------------------------------------------------------------------------------------------------------------------------------------------------------------------------------------------------------------------------------------------------------------------------------------------------------------------------------------------------------------------------------------------------------------------------------------------------------------------------------------------------------------------------------------------------------------------------------------------------------------------------------------------------------------------------------------------------------------------------------------------------------------------------------------------------------------------------------------------------	-------------------------------------------------------------------------------------------------------------------------------------------------------------------------------------------------------------------------------------------------------------------------------------------------------------------------------------------------------------------------------------------------------------------------------------------------------------------------------------------------------------------------------------------------------------------------------------------------------------------------------------------------------------------------------------------------------------------------------------------------------------------------------------------------------------------------------------------------------------------------------------------------------------------------------------------------------------------------------------------------------------------------------------------------------------------------------------------------------------------------------------------------------------------------------------------------------	--------------------------------------------------------------------------------------------------------------------------------------------------------------------------------------------------------------------------------------------------------------------------------------------------------------------------------------------------------------------------------------------------------------------------------------------------------------------------------------------------------------------------------------------------------------------------------------------------------------------------------------------------------------------------------------------------------------------------------------------------------------------------------------------------------------------------------------------------------------------------------------------------------------------------------------------------------------------------------------------------------------------------------------------------------------------------------------------------------------------------------------------------------------------------------------------------------------------------------------------------------------------------------------------------------------------------------------------------------------------------------------------------------	-----------------------------------------------------------------------------------------------------------------------------------------------------------------------------------------------------------------------------------------------------------------------------------------------------------------------------------------------------------------------------------------------------------------------------------------------------------------------------------------------------------------------------------------------------------------------------------------------------------------------------------------------------------------------------------------------------------------------------------------------------------------------------------------------------------------------------------------------------------------------------------------------------------------------------------------------------------------------------------------------------------------------------------------------------------------------------------------------------------------------------------------------------------------------------------------------------------------------------

PARTS INDEX: Part no., Item no., - Page

CATALOG 806340, R05-08

17, AX1864-1	50, BP178-2	561800, 17, BP76-1,	19, BP182-1	561945	562481, 14, AX1449-1,	563226, 10, AP1555-1
34, AX1449-2	55, BP182-2	BP183-1	7, BP180-1, BP203-1,	42, BP178-2	AX1864-1	563233
551616	561762, 23, BP76-2,	561801, 16, BP76-1,	BP184-1	47, BP182-2	562482, 15, AX1864-1	2, AP1556-1
2, AX1864-1	BP183-2	BP183-1	561830	561946	562483	3, AP1556-1
38, AX1449-2	561763, 61, BP183-3	561802, 11, BP76-1,	39, BP178-2	40, BP178-2	18, AX1864-1	563237
551662	561764, 24, BP76-2,	BP183-1	44, BP182-2	45, BP182-2	40, AX1449-2	12, AP1556-1
14, AP1842-1	BP183-2	561803, 9, BP76-1,	561831, 20, BP182-1	561947, 32, AX1851-2	562485	17, AP1556-1
6, AP1565-1	561765	BP183-1	561833	562001, 73, BP76-3	15, AX1851-1	563447, 9, 6BA54-1
551768, 6, AP1564-1	22, BP178-1	561804, 10, BP76-1,	7, BP178-1	562002	23, AX1864-2	563448, 10, 6BA54-1
551774, 13, 10CE15-1	27, BP182-1	BP183-1	8, BP182-1	62, BP178-2	45, AX1449-2	563449, 11, 6BA54-1
552412, 7, AP1563-1	561766, 62, BP183-3	561805, 7, BP76-1,	561834	74, BP76-3	562486, 24, AX1449-1,	563497, 7, AX1851-1
552414, 13, AP1842-1	561767, 68, BP183-3	BP183-1	26, BP178-1	562003	AX1864-2	563501, 45, AX1851-2
552502, 8, 11CD130-1	561768, 63, BP183-3	561806, 8, BP76-1,	31, BP182-2	63, BP178-2	562489, 4, AX1865-1	563502, 37, AX1851-2
552504, 33, BC153-2	561769, 66, BP183-3	BP183-1	561835	75, BP76-3	562490	563532, 7, AP1554-1
552509, 4, AX1851-1	561770, 67, BP183-3	561807	12, BP182-1	562004, 76, BP76-3	2, AX1450-1	56354
552510, 52, AX1851-3	561771, 52, BP183-3	48, BP76-3, BP183-3	8, BP178-1	562005, 77, BP76-3	5, AX1865-1	10, 10AE763-1
552512, 36, AX1851-2	561772, 54, BP183-3	70, BP183-3	561836	562006, 64, BP178-2	562499, 20, AX1865-1	18, 4AA624-1
552513, 22, AX1851-1	561773, 57, BP183-3	561808, 69, BP183-3	21, BP178-1	562040	562500, 21, AX1865-1	21, 9AA322-1
552514, 16, AX1851-1	561774, 37, BP76-2,	561809, 22, BP76-1,	26, BP182-1	43, BP178-2	562503, 28, AX1865-2	563550, 2, 6BA54-1
552515, 5, AX1851-1	BP183-2	BP183-1	561837	48, BP182-2	562504	563551, 3, 6BA54-1
552516	561775, 32, BP76-2,	561810, 51, BP76-3,	16, BP178-1	562043	11, AX1450-1	563552, 6, 6BA54-1
17, AX1864-1	BP183-2	BP183-3	21, BP182-1	4, BP180-1, BP184-1	29, AX1865-2	563553, 7, 6BA54-1
34, AX1449-2	561776, 33, BP76-2,	561812	561838, 55, BP183-3	6, BP203-1	562508	563744, 9, AP1565-1
552517	BP183-2	58, BP76-3	561839, 56, BP183-3	562086, 35, 10AA636-1	16, AX1450-1	563903, 6, AX1865-1
2, AX1864-1	561777, 46, BP183-3	77, BP183-4	561840, 1, BP178-1	562088, 37, 10AA636-1	35, AX1865-2	563904
38, AX1449-2	561778, 53, BP183-3	561813	561841, 2, BP178-1	562089, 42, 10AA636-1	562509	22, AX1864-2
552518, 11, AX1851-1	561779, 60, BP183-3	59, BP76-3	561930	562090, 41, 10AA636-1	17, AX1450-1	43, AX1449-2
552522, 17, AX1851-1	561780, 59, BP183-3	78, BP183-4	27, BP178-1	562092, 39, 10AA636-1	36, AX1865-2	563905, 16, AX1415-1
552523, 48, AX1851-3	561781, 59, BP183-3	561814	32, BP182-2	562093, 43, 10AA636-1	562510	563906, 26, AX1415-1
552524, 2, AX1851-1	561782, 59, BP183-3	52, BP76-3	561931, 60, BP178-2,	562095, 40, 10AA636-1	18, AX1450-1	564073
552528, 58, AX1851-3	561783, 59, BP183-3	71, BP183-4	BP182-3	562148	37, AX1865-2	1, AX1851-1
552531, 28, AX1851-2	561784, 38, BP76-2,	561815	70, BP76-3	65, BP182-3	562512	77, 4AB151-1
552532, 49, AX1851-3	BP183-2	53, BP76-3	72, BP183-4	99, BP183-4	25, AX1450-1	564074, 46, AX1851-2
552537, 26, AX1851-2	561785, 31, BP76-2,	561816	44, BP178-2	562265, 35, AX1449-2	42, AX1865-2	564076, 3, AX1851-1
552538, 21, AX1851-1	BP183-2	49, BP182-2	49, BP182-2	562317, 5, BC108-1	562513	564133
552608, 4, BC108-1	561786, 28, BP76-2,	561818, 64, BP183-3	561787, 58, BP183-3	562318, 6, BC108-1	24, AX1450-1	13, AX1450-1
552622, 25, BC153-1	BP183-2	561819, 65, BP183-3	561788, 39, BP76-2,	562319, 7, BC108-1	43, AX1865-2	33, AX1865-2
552629, 3, BC153-1	561789, 19, BP76-1,	561820	BP183-2	562320, 8, BC108-1	562514	564214, 44, AX1851-2
552634, 15, BC153-1	BP183-1	46, BP178-2	561789, 19, BP76-1,	562354, 74, 10AE763-3	12, AX1450-1	564215, 40, AX1851-2
55404, 38, 8AA501-2	561790, 26, BP76-2,	51, BP182-2	BP183-1	562355, 75, 10AE763-3	44, AX1865-2	564216, 42, AX1851-2
55714, 17, 6BA215-1	BP183-2	561821	561791, 1, BP76-1,	562427, 5, AX1851-1	562515	564223, 10, AX1851-1
561187, 3, BC108-1	561792, 5, BP76-1,	48, BP178-2	BP183-1	562461, 34, 10AA636-1	15, AX1450-1	564226, 39, AX1851-2
561198, 2, BC108-1	BP183-1	53, BP182-2	561790, 26, BP76-2,	562469, 3, AX1856-1	49, AX1865-2	564234, 14, AX1415-1
561340, 7, 10DA318-1	561791, 1, BP76-1,	561822	BP183-2	562470, 5, AX1412-1,	562516, 25, AX1415-1	564242, 63, AX1851-3
561620, 11, 10CE15-1	BP183-1	25, BP178-1	561792, 5, BP76-1,	AX1856-1	562520, 21, AX1415-1	564243, 47, AX1851-2
561621, 10, 10CE15-1	561793, 20, BP76-1,	30, BP182-2	BP183-1	63, BP182-3	562521, 17, AX1415-1	564245, 38, AX1851-2
561622, 9, 10CE15-1	BP183-1	561823	561793, 20, BP76-1,	95, BP183-4	562522, 18, AX1415-1	564246, 43, AX1851-2
561623, 3, 10CE15-1	561794, 25, BP76-2,	41, BP178-2	BP183-1	561938, 96, BP183-4	562523, 23, AX1415-1	564247, 41, AX1851-2
561624, 5, 10CE15-1	BP183-2	46, BP182-2	561794, 25, BP76-2,	561939, 97, BP183-4	562524, 24, AX1415-1	564248, 8, AX1851-1
561625, 6, 10CE15-1	561795, 15, BP76-1,	561940	BP183-2	561940	562525, 13, AX1415-1	564250, 31, AX1851-2
561637, 2, 10CE15-1	BP183-1	78, BP76-3	561795, 15, BP76-1,	561942	562475, 14, AX1865-1	564679, 57, AX1865-2
561749, 2AA165-0	561796, 14, BP76-1,	98, BP183-4	BP183-1	561942	562476, 9, AX1449-1,	564680, 57, AX1865-2
19, BP178-1	BP183-1	561941, 64, BP182-3	561797, 12, BP76-1,	561943	AX1864-1	564681, 57, AX1865-2
24, BP182-1	561797, 12, BP76-1,	561942	BP183-1	561942	562477, 10, AX1449-1,	564693, 3, AX1584-1
561757, 1, BP182-1	BP183-1	23, BP178-1	561798, 13, BP76-1,	65, BP178-2	AX1864-1	564898, 19, AX1865-1
561758, 2, BP182-1	561798, 13, BP76-1,	28, BP182-1	BP183-1	79, BP76-3	562478, 11, AX1449-1,	564903, 18, AX1865-1
561759, 5, BP182-1	BP183-1	561828	561797, 12, BP76-1,	561943	AX1864-1	565998
561760	BP183-1	24, BP178-1	BP183-1	3, BP180-1, BP184-1	562479, 12, AX1449-1,	14, AX1450-1
30, BP178-1	561798, 13, BP76-1,	29, BP182-2	561798, 13, BP76-1,	5, BP203-1	AX1864-1	34, AX1865-2
35, BP182-2	BP183-1	561829	BP183-1	561944, 2, BP180-1,	562480, 13, AX1449-1,	57446, 2, 8AA500-1,
49, BP178-2	561799, 18, BP76-1,	15, BP178-1	561799, 18, BP76-1,	BP184-1	AX1864-1	8AA501-1
54, BP182-2	BP183-1		BP183-1			
561761						

PARTS INDEX: Part no., Item no., - Page

CATALOG 806340, R05-08

<p>5804 22, 9AA322-1 49, 10AE763-2 58112, 20, BC153-1 58113, 21, BC153-1 581732, 34, 9AA322-2 58528 19, 4AB152-1 26, 6BB156-1 3, 8AA500-1, 8AA501-1, 59, 11AA1033-2, 11AA1034-3 6, 6BB158-1 9, 8AA503-1 58530, 21, 4AA626-1 58531 20, 4AB152-1 4, 8AA503-1 58536 18, 6BA215-1 9, 10AE763-1 58538 22, 4AA624-1 8, 10AE763-1 58546 20, 4AB149-1 3, 4AA606-1 4, 4AB152-1 6, 4AA624-1 58548 11, 4AA623-1 14, 4AB149-1 19, 6BA215-1 21, 4AA606-1 23, 10DA318-1 4, 10AE763-1 7, 4AA624-1 58557, 8, 4AB149-1 58574, 17, 7AA63-1 58588, 10, 4AA606-1 58633 1, 7AB14-1 7, 8AA502-1 600365 66, BP178-2 67, BP182-3 600366 66, BP182-3 67, BP178-2 600525, 28, BC153-1 600549, 4, AX1856-1 600552, 25, AX1864-2 600558, 37, AX1415-1 600559, 15, AX1865-1 600582, 36, AX1415-1 600593, 12, AX1851-1 600594, 66, AX1851-3 600595, 18, AX1851-1 600596, 23, AX1851-1 600670 22, AX1450-1 40, AX1865-2</p>	<p>600716, 3, AP1564-1 600726, 20, 10DA318-1 600753, 25, 10DA318-1 600792 1, BP180-1, BP184-1 51, BP178-2 56, BP182-2 601243, 8, AX1449-1, AX1864-1 601246 31, AX1865-2 9, AX1450-1 601558, 3, AX1449-1 601561, 6, AX1584-1 601589, 8, BC153-1 601590, 13, BC153-1 601592, 30, BC153-2 601593, 17, BC153-1 601594, 14, BC153-1 601597, 18, BC153-1 601828, 10, AP1566-1 601829, 16, AP1566-1 601935, 2, AX1449-1 601937, 18, AX1449-1 601941, 16, AX1449-1 601943, 17, AX1449-1 601944, 28, AX1449-1 601945, 1, AX1449-1 601946, 29, AX1449-2 601947, 30, AX1449-2 601948, 31, AX1449-2 601949, 23, AX1449-1 601950, 32, AX1449-2 601983, 24, AX1851-2 601998, 26, AX1449-1 602007, 38, AX1415-1 602061, 7, BC153-1 602062, 16, BC153-1 602063, 19, BC153-1 602064, 22, BC153-1 602065, 29, BC153-2 602094, 12, 10AA636-1 602095, 16, 10AA636-1 602096, 2AA165-0 13, 10AA636-1 602097, 14, 10AA636-1 602098, 17, 10AA636-1 602099, 15, 10AA636-1 602190, 59, AX1865-3 602218, 6, AX1415-1 602219, 45, AX1865-2 602220, 41, AX1865-2 602275, 61, AX1865-3 602293 14, AX1412-1 4, AX1856-1 602296, 15, AX1415-1 602729 100, BP183-4 80, BP76-3 602730 101, BP183-4 81, BP76-3</p>	<p>602780, 36, AX1449-2 602787, 1, AX1450-1 602788, 7, AX1450-1 602789, 20, AX1450-1 603303, 20, AX1449-1 603310, 15, AX1449-1 603311, 19, AX1449-1 603312, 25, AX1449-1 603313, 46, AX1449-2 603316, 23, AX1450-1 603317, 30, AX1450-1 603534, 2, BC153-1 603638 26, AX1865-1 4, AX1450-1 6, AX1412-1, AX1856-1 603639 25, AX1865-1 5, AX1450-1 7, AX1412-1, AX1856-1 603640, 26, AX1450-1 603648, 3, AX1864-1 603649, 3, AX1865-1 603650, 11, AX1865-1 603651, 13, AX1865-1 603652, 22, AX1865-1 603653, 23, AX1865-1 603654, 27, AX1865-1 603655, 60, AX1865-3 603656, 4, AX1866-1 603657, 5, AX1866-1 603681, 7, AX1866-1 603723, 59, AX1865-3 603821, 3, AX1856-1 603838, 31, AP1558-2 603891, 11, AP1560-1 604252, 41, AX1865-2 604253, 41, AX1415-1 604258, 5, BP180-1, BP184-1 604656 28, AX1865-2 6, AX1450-1 604854, 57, AX1865-3 604879, 4, AP1554-1 604880, 12, AP1554-1 604881, 8, AP1554-1 604882, 13, AP1554-1 604883, 11, AP1554-1 604884, 6, AP1554-1 604885, 5, AP1554-1 604886, 15, AP1554-1 604887, 17, AP1554-1 604888, 18, AP1554-1 604889, 14, AP1554-1 604893, 1, AP1555-1 604894, 3, AP1555-1 604895, 3, AP1555-1 604896, 3, AP1555-1 604897, 3, AP1555-1 604898, 4, AP1555-1</p>	<p>604899, 4, AP1555-1 604900, 4, AP1555-1 604901, 4, AP1555-1 604902, 9, AP1555-1 604903, 11, AP1555-1 604904, 12, AP1555-1 604905, 13, AP1555-1 604906, 14, AP1555-1 604907, 15, AP1555-1 604908, 16, AP1555-1 604909, 17, AP1555-1 604910, 18, AP1555-1 604911, 19, AP1555-1 604912, 8, AP1555-1 604913, 1, AP1556-1 604914, 4, AP1556-1 604915, 5, AP1556-1 604916, 8, AP1556-1 604917 14, AP1556-1 9, AP1556-1 604918 10, AP1556-1 15, AP1556-1 604919 11, AP1556-1 16, AP1556-1 604920, 13, AP1556-1 604921, 18, AP1556-1 604922 19, AP1556-1 25, AP1556-1 604924, 22, AP1556-1 604925, 23, AP1556-1 604929, 27, AP1556-1 604930, 1, AP1557-1 604931, 2, AP1557-1 604932, 3, AP1557-1 604933, 8, AP1557-1 604934, 7, AP1557-1 604935, 4, AP1557-1 604936, 11, AP1557-1 604937, 12, AP1557-1 604938, 13, AP1557-1 604939, 14, AP1557-1 604940, 1, AP1558-1 604941, 13, AP1558-1 604942, 14, AP1558-1 604943, 15, AP1558-1 604944, 16, AP1558-1 604945, 17, AP1558-1 604948, 21, AP1558-1 604949, 22, AP1558-1 604950, 5, AP1558-1 604954, 3, AP1559-1 604957, 1, AP1560-1 604958, 2, AP1560-1 604959 16, AP1560-1 3, AP1560-1 604960, 4, AP1560-1 604961, 5, AP1560-1 604962, 6, AP1560-1</p>	<p>604963, 7, AP1560-1 604964, 8, AP1560-1 604965, 9, AP1560-1 604966, 12, AP1560-1 604967, 14, AP1560-1 604968, 15, AP1560-1 604969, 17, AP1560-1 604972, 5, AP1561-1 604973 65, 4AC217-2 7, AP1561-1 604974, 9, AP1561-1 604975, 10, AP1561-1 604976, 11, AP1561-1 604977, 12, AP1561-1 604984, 2, AP1562-1 604985, 3, AP1562-1 604986, 12, AP1562-1 604987, 1, AP1563-1 604988, 2, AP1563-1 604989, 6, AP1563-1 604997, 3, AP1564-1 604999, 2, AP1565-1 605000, 3, AP1565-1 605001, 7, AP1565-1 605003, 12, AP1565-1 605013, 2AA165-0 26, 4AC217-1 605014, 25, 4AC217-1 605016, 28, 4AC217-1 605017, 29, 4AC217-1 605018, 31, 4AC217-1 605019, 33, 4AC217-1 605020, 30, 4AC217-1 605021, 36, 4AC217-1 605022, 40, 4AC217-1 605023, 43, 4AC217-1 605024, 41, 4AC217-1 605025, 42, 4AC217-1 605026, 44, 4AC217-1 605027, 47, 4AC217-1 605029, 50, 4AC217-2 605030 1, 11CD130-1 51, 4AC217-2 605031, 52, 4AC217-2 605032, 53, 4AC217-2 605033, 55, 4AC217-2 605034, 57, 4AC217-2 605035, 56, 4AC217-2 605036, 59, 4AC217-2 605037, 60, 4AC217-2 605038, 62, 4AC217-2 60998, 14, 4AB152-1 61308 18, 7AA63-1 19, 4AB149-1 61323, 63, 10AE763-3 61545, 17, 10AE763-1 61674 1, 8AA500-1, 8AA501-1 10, 8AA475-1</p>	<p>18, 4AB152-1 20, 6BA215-1 25, 6BB156-1 7, 6BB158-1 70, 11AA1033-3, 11AA1034-3 8, 8AA503-1 61676 12, 4AB149-1 14, 4AA623-1 21, 6BA215-1 27, 10AE763-2 702289, 4, AP1842-1 61680, 10, 4AB149-1 61683 19, 7AA63-1 2, 7AB14-1 9, 7AA61-1 61974, 21, 11AA1033-1, 11AA1034-1 62179, 3, 4AB152-1 62203 27, 4AB149-2 8, 4AA624-1, 4AA606-1 63544, 14, 8AA475-1 63546 10, 9AA323-1 16, 6AA374-1 23, 9AA322-1 63547 1, 10AE763-1 11, 4AB149-1 44, 4AA625-1 63727 14, 5AA101-1 16, 8AA501-1 18, 8AA500-1 7, 4AC216-1, 10AA634-1 9, 10AA633-1 63754 16, 10AE763-1 20, 7AA63-1 63936, 9, 6AA374-1 660297, 36, 11AA1033-2, 11AA1034-2 687325, 42, 11AA1033-2, 11AA1034-2 702007, 7, AP1558-1 702008, 16, AP1559-1 702015, 2, AP1568-1 702025, 1, AP1559-1 702052, 64, 4AC217-2 702054, 8, AP1565-1 702059, 57, AX1865-3 702060, 57, AX1865-3 702067, 4, AX1866-1 702080, 2, AP1559-1 702138 3, AX1450-1 4, AX1865-1</p>	<p>702147, 7, AX1866-1 702158, 45, 4AC217-1 702279, 1, AP1554-1 702283 26, AP1556-1 5, 11CD130-1 702284, 1, AP1567-1 702286, 3, AP1842-1 702287, 2, AP1842-1 702289, 4, AP1842-1 702291, 13, AP1559-1 702308, 19, AP1558-1 702309, 8, AP1558-1 702310, 26, AP1558-1 702311, 27, AP1558-1 702312, 32, AP1558-2 702318 24, AP1556-1 6, 11CD130-1 702322, 6, AP1562-1 702323, 7, AP1562-1 702328, 1, AP1562-1 702381, 2, BP203-1 702382, 3, BP203-1 702383, 4, BP203-1 702384 6, BP180-1, BP184-1 8, BP203-1 702388 32, BP178-2 37, BP182-2 702494, 2AA165-0 10, AP1842-1 702553, 21, AP1556-1 702584, 1, AP1568-1 702600, 23, 4AC217-1 702618, 20, AP1555-1 702639 1, BP203-1 52, BP178-2 57, BP182-3 702652, 20, AP1554-1 702657, 21, AP1554-1 702660, 14, AP1562-1 702709 4, 11CD130-1 79, 4AC217-2 702715, 67, 10AE763-3 702758, 1, AP1564-1 702759, 1, AP1565-1 702760, 49, 4AC217-1 702761, 27, 4AC217-1 702762, 8, AP1563-1 702819 102, BP183-4 82, BP76-3 703472, 104, BP183-4 84, BP76-3 704390, 73, 10AE763-3 704391, 76, 10AE763-3 705009 13, BP178-1 17, BP182-1</p>
------------------------------------------------------------------------------------------------------------------------------------------------------------------------------------------------------------------------------------------------------------------------------------------------------------------------------------------------------------------------------------------------------------------------------------------------------------------------------------------------------------------------------------------------------------------------------------------------------------------------------------------------------------------------------------------------------------------------------------------------------------------------------------------------------------------------------------------------------------------------------------------------------------------------------------------------------------------------------------------------------------------------------------------------------------------------------------------------------------------------------------------------------	-----------------------------------------------------------------------------------------------------------------------------------------------------------------------------------------------------------------------------------------------------------------------------------------------------------------------------------------------------------------------------------------------------------------------------------------------------------------------------------------------------------------------------------------------------------------------------------------------------------------------------------------------------------------------------------------------------------------------------------------------------------------------------------------------------------------------------------------------------------------------------------------------------------------------------------------------------------------------------------------------------------------------------------------------------------------------------------------------------------------------------------------------------------------------------------------------------------------------------------------------------------------------------------------------------------------------------------------------------------------------------------------------------------------------------------------	--------------------------------------------------------------------------------------------------------------------------------------------------------------------------------------------------------------------------------------------------------------------------------------------------------------------------------------------------------------------------------------------------------------------------------------------------------------------------------------------------------------------------------------------------------------------------------------------------------------------------------------------------------------------------------------------------------------------------------------------------------------------------------------------------------------------------------------------------------------------------------------------------------------------------------------------------------------------------------------------------------------------------------------------------------------------------------------------------------------------------------------------------------------------------------------------------------------------------------------------------------------------------------------------------------------------------------------------------------------------------------------------------------------------------------------------------------------------	------------------------------------------------------------------------------------------------------------------------------------------------------------------------------------------------------------------------------------------------------------------------------------------------------------------------------------------------------------------------------------------------------------------------------------------------------------------------------------------------------------------------------------------------------------------------------------------------------------------------------------------------------------------------------------------------------------------------------------------------------------------------------------------------------------------------------------------------------------------------------------------------------------------------------------------------------------------------------------------------------------------------------------------------------------------------------------------------------------------------------------------------------------------------------------------------------------------------------------------------------------------------------------------------------------------------------------------------------------------------------------------------------------------------------------------------------------	------------------------------------------------------------------------------------------------------------------------------------------------------------------------------------------------------------------------------------------------------------------------------------------------------------------------------------------------------------------------------------------------------------------------------------------------------------------------------------------------------------------------------------------------------------------------------------------------------------------------------------------------------------------------------------------------------------------------------------------------------------------------------------------------------------------------------------------------------------------------------------------------------------------------------------------------------------------------------------------------------------------------------------------------------------------------------------------------------------------------------------------------------------------------------------------------------------------------------------------------------------------------------------------------------------------------------------------------------------------------------------------------------------------------------------------------------------------------	------------------------------------------------------------------------------------------------------------------------------------------------------------------------------------------------------------------------------------------------------------------------------------------------------------------------------------------------------------------------------------------------------------------------------------------------------------------------------------------------------------------------------------------------------------------------------------------------------------------------------------------------------------------------------------------------------------------------------------------------------------------------------------------------------------------------------------------------------------------------------------------------------------------------------------------------------------------------------------------------------------------------------------------------------------------------------------------------------------------------------------------------------------------	---------------------------------------------------------------------------------------------------------------------------------------------------------------------------------------------------------------------------------------------------------------------------------------------------------------------------------------------------------------------------------------------------------------------------------------------------------------------------------------------------------------------------------------------------------------------------------------------------------------------------------------------------------------------------------------------------------------------------------------------------------------------------------------------------------------------------------------------------------------------------------------------------------------------------------------------------------------------------------------------------------------------------------------------------------------------------------------------------------------------------------------------------------------------------------------------------------------------------------------------------------------------------------------------------------------------------------------

PARTS INDEX: Part no., Item no., - Page

CATALOG 806340, R05-08

705892 103, BP183-4 83, BP76-3 71940, 25, 4AA606-1 72339, 3, 10AF562-1 73191, 18, 10AE763-1 73979, 23, 4AA624-1 75498, 17, 4AB152-1 75992, 8, 6AA374-1 76571, 27, 12AA461-1 77399, 12, 5AA101-1 78086, 4, 4AA607-1 78088, 13, 4AA607-1 78179, 2, 6BB156-1 78237, 12, 6BB156-1 78806, 83, 11AA1033-3 79126, 36, 6BB156-2 79533 22, 11CD133-1 6, 8AD202-1 61, 11AA1033-3, 11AA1034-3 79570, 24, 9AA322-1 801820, 1, 4AA606-1 801822, 7, 4AA606-1 801851 21, 10DA318-1 3, 10AE763-1 801864 3, 6BB156-1 8, 6BB158-1 801885, 5, 6BB156-1 801886, 17, 6BB156-1 801930 17, 7AB14-1 8, 7AA61-1 801931, 7, 7AA61-1, 7AB14-1 801943, 24, 4AB149-1 801949, 2, 4AA624-1 801950, 3, 4AA624-1 801992 1, 4AB149-1 65, AX1851-3 78, 4AB151-1 802010, 24, 6BB156-1 802025, 1, 8AA475-1 802047, 3, 6AA369-1 802048, 6, 7AB14-1 802049, 16, 7AB14-1 802054, 19, 6BB156-1 802118, 5, 3AA248-1 802120, 2, 4AB149-1 802126, 15, 3AA248-2 802127, 4, 3AA248-1 802263, 12, 10AA633-1 802288, 13, 4AC216-1 802292, 16, 4AB149-1 802354 13, 10AA633-1 23, 10AA634-1 802358, 53, 10AE763-3 802367, 26, 10AE763-1	802398, 2, 8AA480-1 802451, 13, 10AA634-1 802504, 11, 4AB152-1 802615, 28, 9AA322-2 802616, 29, 9AA322-2 802661, 4, 3AA249-1 802719, 22, 6BA215-1 802769, 1, 9AA323-1 802771 10, 8AA501-1 11, 8AA500-1 802779, 22, 6BB156-1 802820, 5, 8AD202-1 802821, 4, 8AD202-1 802822, 3, 8AD202-1 802833, 11, 12AA461-1 802874, 25, 9AA322-1 802876, 28, 6BB156-1 802884, 2, 9AA323-1 802885, 36, 4AA625-1 802887, 39, 4AA625-1 802889, 37, 4AA625-1 802892, 38, 4AA625-1 802898, 36, 4AB149-2 802903 1, BC153-1 47, 4AB151-1 802934, 26, 4AA606-1 802935, 14, 11AA1034-1 802936, 15, 11AA1033-1, 11AA1034-1 802937, 37, 11AA1033-2, 11AA1034-2 802942, 8, 9AA323-1 802943, 5, 9AA323-1 802944, 3, 9AA323-1 802945, 6, 9AA323-1 802946, 7, 9AA323-1 802964, 19, 3AA248-2 802977, 39, 11AA1033-2, 11AA1034-2 802983, 1, 10AF562-1 802986, 82, 11AA1033-3 803004, 8, 3AA249-1 803007, 8, 3AA248-1 803011, 11, 3AA248-1 803019, 13, 10AF562-1 803020, 15, 10AF562-1 803021, 6, 10AF562-1 803023, 35, 10AE763-2 803025, 11, 10AE763-1 803026 30, 10AE763-2 53, 4AB151-1 803027, 39, 10AE763-2 803028, 37, 10AE763-2 803030, 36, 10AE763-2 803031, 21, 10AE763-1 803032, 22, 10AE763-1 803033, 40, 10AE763-2 803034, 13, 10AE763-1 803035, 12, 10AE763-1 803036, 24, 10AE763-1	803037, 23, 10AE763-1 803039 20, 10AA634-1 21, 10AA633-1 803071, 2AA165-0 803079, 26, 9AA322-1 80308 19, 6BB158-1 5, 4AA607-1 803138, 8AA503-2 803140, 30, 8AA503-2 803142, 29, 8AA503-2 803144, 28, 8AA503-2 803168, 5, 8AA503-1 803169, 6, 8AA503-1 803174, 12, 4AB152-1 803175, 9, 4AB152-1 803177 4, 10AF562-1 74, 10BA301-1 803180, 13, 4AB152-1 803182 22, 4AB152-1 7, 10AF562-1 803184 16, 10AF562-1 24, 4AB152-1 73, 10BA301-1 803185, 16, 4AB152-1 803187, 75, 10BA301-1 803188, 70, 10BA301-1 803189, 78, 10BA301-1 803190, 80, 10BA301-1 803191, 79, 10BA301-1 803192, 77, 10BA301-1 803193, 72, 10BA301-1 803194, 76, 10BA301-1 803196 2, 4AB152-1 5, 10AF562-1 803198, 18, 10AF562-1 803199, 19, 10AF562-1 803200, 14, 10AF562-1 803202, 7, 8AA503-1 803208, 2, 8AA503-1 803209, 3, 8AA503-1 803269, 12, 10AA634-1 803270, 50, 4AB151-1 803271, 33, 4AB149-2 803275, 42, 4AB149-2 803282, 4, 7AB14-1 803285, 21, 7AA63-1 803293, 54, 10AE763-3 803313, 42, 12AA461-2 803326, 55, 10AE763-3 803328, 56, 10AE763-3 803388, 1, 4AA607-1 803392, 4AA607-1 803393, 8, 8AA500-1, 8AA501-1 803409, 11, 4AA626-1 803450, 23, 6BA215-1	803458, 14, 8AA500-1, 8AA501-1 803461, 15, 8AA500-1, 8AA501-1 803470-1 21, 10AE762-1 52, 10AE763-3 803470-2 22, 10AE762-1 52, 10AE763-3 803470-3 23, 10AE762-1 52, 10AE763-3 803470KIT 20, 10AE762-1 9, 10AE737-1 803501, 13, 4AA624-1 803532 22, 10AA634-1 23, 10AA633-1 803543, 14, 3AA249-2 803560, 8, 6AA369-1 803566, 38, 4AB151-1 803570, 39, 4AB151-1 803585, 40, 4AB151-1 803611, 37, 4AB151-1 803621, 36, 8AA503-2 803622, 34, 8AA503-2 803623, 35, 8AA503-2 803624, 39, 8AA503-2 803625, 37, 8AA503-2 803626, 38, 8AA503-2 803653, 36, 4AA623-1 803655, 2AA165-0 803656, 38, 4AA623-1 803663 10, 8AA500-1 9, 8AA501-1 803666, 47, 12AA461-2 803667, 48, 12AA461-2 803677, 27, 9AA322-1 803684, 1, 4AB152-1 803688, 1, 6AA374-1 803723, 9, 8AA502-1 803726, 9, 10AA635-1 803733, 24, 10AA634-1 803734, 45, 10AE763-2 803735, 26, 10AA634-1 803765, 35, 4AB149-2 803768, 14, 6AA374-1 803817, 2, 10AE737-1 803818, 1, 10AE737-1 803820, 3, 10AE737-1 803821, 4, 10AE737-1 803822, 5, 10AE737-1 803823, 6, 10AE737-1 803824, 7, 10AE737-1 803825, 8, 10AE737-1 803827, 10AE737-1 44, 10AE763-2 803829, 34, 4AB149-2 803840, 11, 10AE737-1	803841, 10, 10AE737-1 803842, 16, 10AE737-1 803843, 15, 10AE737-1 803844, 14, 10AE737-1 803845, 13, 10AE737-1 803855, 16, 10AE737-1 803856, 15, 10AE737-1 803857, 13, 10AE737-1 803858, 14, 10AE737-1 803859, 13, 10AE737-1 803860, 14, 10AE737-1 803861, 13, 10AE737-1 803862, 14, 10AE737-1 803875, 14, 4AA607-1 803885, 3, 4AB149-1 803886, 31, 4AB151-1 803920, 22, 7AA63-1 803922, 23, 7AA63-1 803966, 28, 10AA634-1 804024, 14, 8AA503-1 804025, 15, 8AA503-1 804064 1, AX1855-1 15, 7AB14-1 804065 1, AX1852-1 4, 6AA369-1 804128, 74, 4AB151-1 804130, 75, 4AB151-1 804136 1, AP1842-1 29, 4AA624-2 804222, 9, 6BB158-1 804272, 13, 8AA501-1 804274, 13, 8AA500-1 804290, 65, 11AA1033-3, 11AA1034-3 804326, 28, 9AA322-2 804327, 29, 9AA322-2 804338, 34, 4AA623-1 804339, 42, 4AA623-1 804345, 33, 4AA625-1, 9AA322-2 804346, 32, 9AA322-2 804358, 11, 8AA502-1 804373 12, AP1842-1 30, 4AA624-2 804374, 14, 4AA624-1 804402, 8, 4AC216-1 804432, 1, 4AA626-1, 10AA635-1 804434, 4, 10AA635-1 804435, 2, 10AA635-1 804436, 18, 3AA248-2 804439, 17, 3AA248-2 804439R, 16, 3AA248-2 804440, 14, 3AA248-2 804442L, 13, 3AA248-1 804442R, 12, 3AA248-1 804446, 7, 3AA249-1 804448L, 6, 3AA249-1	804448R, 5, 3AA249-1 804450L, 10, 3AA249-1 804450R, 9, 3AA249-1 804452, 3, 3AA249-1 804454L, 2, 3AA249-1 804454R, 1, 3AA249-1 804455, 13, 3AA249-2 804457L, 12, 3AA249-2 804457R, 11, 3AA249-2 804458, 3, 3AA248-1 804460L, 2, 3AA248-1 804460R, 1, 3AA248-1 804462L, 7, 3AA248-1 804462R, 6, 3AA248-1 804464L, 10, 3AA248-1 804464R, 9, 3AA248-1 804490, 34, 4AA625-1 804500, 12, 4AA623-1 804571 11, AP1842-1 28, 4AA624-2 804592, 35, 4AA625-1 804597, 10, 4AA626-1 804598, 12, 4AA626-1 804599, 26, 4AA626-1 804600, 6, 4AA626-1 804604, 34, 4AA606-2 804605, 35, 4AA606-2 804611, 43, 4AB149-2 804612, 41, 4AB149-2 804627, 12, 8AA500-1, 8AA501-1 804641, 46, 11AA1033-2, 11AA1034-2 804657, 3, 4AA623-1 804661, 44, 11AA1033-2, 11AA1034-2 804673, 1, 8AA480-1 804707, 16, 4AA626-1 804719, 32, 4AA624-2 804720, 33, 4AA624-2 804721, 34, 4AA624-2 804722, 31, 4AA624-2 804768, 2, 12AA461-1 804776 15, 4AA626-1 5, 10AA635-1 50, 10AE763-2 804806, 20, 6BB158-1 804808, 18, 4AA626-1 804809, 19, 4AA626-1 804819, 27, 4AA626-1 804828, 6, 6AA369-1 804831, 47, 11AA1033-2, 11AA1034-2 804832, 45, 11AA1033-2, 11AA1034-2 804881, 25, 4AA626-1 804930, 43, 11AA1033-2, 11AA1034-2 805067, 27, 4AA606-1 805118, 10, 4AB152-1	805119, 23, 4AB152-1 805120, 15, 4AB152-1 805121, 29, 4AB152-1 805537, 48, 4AA625-1 805642, 33, 10AE763-2 805675, 35, 11AA1033-2, 11AA1034-2 805677, 30, 4AB149-2 805682, 24, 6BA215-1 805683, 75, 11AA1033-3, 11AA1034-3 805685 22, 8AA500-1 23, 8AA501-1 805687, 4, 8AA500-1, 8AA501-1 805688, 24, 7AA63-1 805689, 25, 7AA63-1 805690, 26, 7AA63-1 805691, 7AA63-1 805693, 27, 7AA63-1 805694 28, 7AA63-1 4, 7AA61-1 805697, 29, 7AA63-2 805698, 30, 7AA63-2 805709, 30, 4AB152-2 805845, 74, 11AA1033-3, 11AA1034-3 805876, 5, 11AA1033-1, 11AA1034-1 805877, 9, 11AA1033-1, 11AA1034-1 805878 21, 11CD133-1 7, 11AA1033-1, 11AA1034-1 805879 1, 11AA1033-1, 11AA1034-1 71, 11AA1033-3 805880, 3, 11AA1033-1, 11AA1034-1 805882, 11, 11AA1033-1, 11AA1034-1 805886, 27, 11AA1033-1, 11AA1034-1 805887 12, 8AA503-1 28, 11AA1033-1, 11AA1034-1 805888 27, 11CD133-1 29, 11AA1033-1, 11AA1034-2 805889, 30, 11AA1033-1, 11AA1034-2 805890, 31, 11AA1033-1, 11AA1034-2 805891, 33, 11AA1033-2, 11AA1034-2
---------------------------------------------------------------------------------------------------------------------------------------------------------------------------------------------------------------------------------------------------------------------------------------------------------------------------------------------------------------------------------------------------------------------------------------------------------------------------------------------------------------------------------------------------------------------------------------------------------------------------------------------------------------------------------------------------------------------------------------------------------------------------------------------------------------------------------------------------------------------------------------------------------------------------------------------------------------------------------------------------------------------------------------------------------------------------------------------------------------------------------------------------------------------------------------------------------------------------------------------------------------------------------	-----------------------------------------------------------------------------------------------------------------------------------------------------------------------------------------------------------------------------------------------------------------------------------------------------------------------------------------------------------------------------------------------------------------------------------------------------------------------------------------------------------------------------------------------------------------------------------------------------------------------------------------------------------------------------------------------------------------------------------------------------------------------------------------------------------------------------------------------------------------------------------------------------------------------------------------------------------------------------------------------------------------------------------------------------------------------------------------------------------------------------------------------------------------------------------------------------------------------------------------------------------------------------------------------------------------------------------------------------------------------------------------------------------------------------------------------------------	-----------------------------------------------------------------------------------------------------------------------------------------------------------------------------------------------------------------------------------------------------------------------------------------------------------------------------------------------------------------------------------------------------------------------------------------------------------------------------------------------------------------------------------------------------------------------------------------------------------------------------------------------------------------------------------------------------------------------------------------------------------------------------------------------------------------------------------------------------------------------------------------------------------------------------------------------------------------------------------------------------------------------------------------------------------------------------------------------------------------------------------------------------------------------------------------------------------------------------------------------------------------------------------------------------------------------------------	-----------------------------------------------------------------------------------------------------------------------------------------------------------------------------------------------------------------------------------------------------------------------------------------------------------------------------------------------------------------------------------------------------------------------------------------------------------------------------------------------------------------------------------------------------------------------------------------------------------------------------------------------------------------------------------------------------------------------------------------------------------------------------------------------------------------------------------------------------------------------------------------------------------------------------------------------------------------------------------------------------------------------------------------------------------------------------------------------------------------------------------------------------------------------------------------------------------------------------------------------------------------------------------------------------------------------------------------	-----------------------------------------------------------------------------------------------------------------------------------------------------------------------------------------------------------------------------------------------------------------------------------------------------------------------------------------------------------------------------------------------------------------------------------------------------------------------------------------------------------------------------------------------------------------------------------------------------------------------------------------------------------------------------------------------------------------------------------------------------------------------------------------------------------------------------------------------------------------------------------------------------------------------------------------------------------------------------------------------------------------------------------------------------------------------------------------------------------------------------------------------------------------------------------------------------------------------------------------------------------------------------------------------------------------------------------------------------------------------------------------------	---------------------------------------------------------------------------------------------------------------------------------------------------------------------------------------------------------------------------------------------------------------------------------------------------------------------------------------------------------------------------------------------------------------------------------------------------------------------------------------------------------------------------------------------------------------------------------------------------------------------------------------------------------------------------------------------------------------------------------------------------------------------------------------------------------------------------------------------------------------------------------------------------------------------------------------------------------------------------------------------------------------------------------------------------------------------------------------------------------------------------------------------------------------------------------------------------------------------------------------------------------------------------------------------------------------------------------------------------------------------------------------------------------------------------	-----------------------------------------------------------------------------------------------------------------------------------------------------------------------------------------------------------------------------------------------------------------------------------------------------------------------------------------------------------------------------------------------------------------------------------------------------------------------------------------------------------------------------------------------------------------------------------------------------------------------------------------------------------------------------------------------------------------------------------------------------------------------------------------------------------------------------------------------------------------------------------------------------------------------------------------------------------------------------------------------------------------------------------------------------------------------------------------------------------------------------------------------------------------------------------------------

PARTS INDEX: *Part no., Item no., - Page*

CATALOG 806340, R05-08

805892, 34, 11AA1033-2, 11AA1034-2	805924 25, 11CD133-1	806884, 4, 10AE762-1	B3698-15, 9, 4AC216-1	21, 10AF562-1	32, 4AB152-2	M0001183, 41, 10AE763-2
805893, 38, 11AA1033-2, 11AA1034-2	72, 11AA1033-3, 11AA1034-3	806885, 2, 10AE762-1	B3698-17, 25, 4AB149-1	K302211, 21, 4AB149-1	5, 6AA369-1	R106, 2, 5AA101-1
805894, 49, 11AA1033-2, 11AA1034-2	805936, 18, 8AA503-1	806886, 6, 10AE762-1	B3698-21, 58, 10AE763-3	K302264, 34, 7AA63-2	K44877, 3, 8AA481-1	R18147-3, 42, 10AE763-2
805896, 51, 11AA1033-2, 11AA1034-2	805937, 17, 8AA503-1	806887, 7, 10AE762-1	B3698-25, 7, 10AA635-1	K33770, 5, 8AA481-1	K45840, 10, 8AA502-1	R18147-5
805897, 52, 11AA1033-2, 11AA1034-2	805938, 24, 8AA503-1	806888, 8, 10AE762-1	B3698-8, 17, 4AC216-1	K33795	K55691	30, 4AA606-2
805899, 73, 11AA1033-3, 11AA1034-3	805939, 25, 8AA503-1	806889, 9, 10AE762-1	B4712, 20, 10AF562-1	22, 10AF562-1	26, 4AB152-1	44, 4AB149-2
805902, 13, 8AA503-1	805944, 77, 11AA1033-3	806890, 10, 10AE762-1	B5407, 9, 5AA101-1	46, 4AA623-1	60, 10AE763-3	R19452, 56, 4AB151-1
805904, 11, 8AA503-1	805946, 81, 11AA1033-3	806891, 11, 10AE762-1	B5425, 46, 10AE763-2	K33799, 35, 7AA63-2	K55748, 11, 10AA635-1	R19829-1, 52, 4AB151-1
805905	805947, 80, 11AA1033-3	806892, 12, 10AE762-1	B5521-6, 19, 10AE762-1	K33799SS, 17, 8AD202-1	K55961, 7, 8AA480-1	R19872-6, 71, 10BA301-1
16, 8AA503-1	805948, 18, 11CD133-1	806893, 13, 10AE762-1	B5795, 10, 5AA101-1	K33922, 13, 6BB156-1	K71B1393, 65, 10AE763-3	R2016, 18, 12AA461-1
18, 8AD202-1	805954, 18, 11CD133-1	806894, 14, 10AE762-1	B6108, 20, 12AA461-1	K34691, 1, 6AA369-1	K72016	R25454, 5, 5AA101-1
26, 11CD133-1	805957, 19, 11CD133-1	806895, 15, 10AE762-1	B6109, 1, 12AA461-1	K34791, 4, 8AA481-1	25, 8AA500-1	R25456, 8, 5AA101-1
26, 11CD133-1	805958, 20, 11CD133-1	806896, 16, 10AE762-1	B6119, 11, 5AA101-1	K34805	26, 8AA501-1	R32
79, 11AA1033-3	805972, 19, 8AD202-1	806897, 17, 10AE762-1	B6143, 25, 12AA461-1	23, 10AF562-1	K72147, 37, 7AA63-2	10, 7AB14-1
805906, 40, 11AA1033-2, 11AA1034-2	805973, 13, 8AD202-1	806898, 18, 10AE762-1	B7860, 70, 10AE763-3	36, 7AA63-2	K76176	5, 7AA61-1
805907, 53, 11AA1033-2, 11AA1034-2	805974, 14, 8AD202-1	806899, 18, 10AE762-1	E411, 31, 4AB152-2	44, 4AA623-1	24, 8AA500-1	R40, 43, 12AA461-2
805911, 20, 8AD202-1	805976, 6, 11CC186-1	806900, 16, 10AE762-1	K134, 32, 7AA63-2	K34806, 6, 8AA480-1	25, 8AA501-1	R4584, 3, 5AA101-1
805912	806094	806901, 16, 10AE762-1	K20344SS, 54, 11AA1033-2, 11AA1034-2	K34806SS, 6, 6BB156-1	K8-326	R7638, 4, 5AA101-1
21, 8AD202-1	26, 8AA500-1	806902, 16, 10AE762-1	K20346SS, 4, 8AA480-1	K34807	14, 10AA634-1	T51534, 39, 7AA63-2
5, 11CC186-1	27, 8AA501-1	806903, 16, 10AE762-1	K20348, 48, 10AE763-2	13, 4AA626-1	15, 10AA633-1	Z2880, 49, 12AA461-2
805913, 24, 11AA1033-1, 11AA1034-1	806118, 40, 7AA63-2	806904, 16, 10AE762-1	K20384, 33, 7AA63-2	3, 10AA635-1	K87901, 1, 5AA101-1	Z4053
805915, 18, 11AA1033-1, 11AA1034-1	806333, 40, 12AA461-2	806905, 49, 4AB151-1	K20386SS, 14, 6BB156-1	47, 10AE763-2	K87907, 41, 7AA63-2	30, 9AA322-2
805917, 2, 11AA1033-1, 11AA1034-1	806341	806906, 49, 4AB151-1	K20388	6, 5AA101-1	K87914, 38, 7AA63-2	33, 8AA503-2
805918, 69, 11AA1033-3, 11AA1034-3	806342, 1, 11CD132-1	806907, 49, 4AB151-1	14, 4AA626-1	K34807SS, 16, 8AD202-1	K89778, 7, 6BB156-1	Z4054
805919, 4, 11CC186-1	806343, 2, 11CD132-1	806908, 49, 4AB151-1	6, 10AA635-1	K34808	K97524, 16, 6BB156-1	31, 9AA322-2
805920, 26, 11AA1033-1, 11AA1034-1	806344, 3, 11CD132-1	806909, 49, 4AB151-1	7, 5AA101-1	7, 8AA481-1	K97615, 59, 4AB149-2	46, 4AA625-1
805923, 71, 11AA1034-3	806347, 3, 11CD132-1	806910, 49, 4AB151-1	8, 8AA480-1	8, 8AA480-1	KN605803	47, 4AA625-1
	806348, 4, 11CD132-1	806911, 49, 4AB151-1	7, 5AA101-1	K34992, 7, 6AA369-1	13, 4AA606-1	Z4056
	806709, 82, 10BA301-1	806912, 49, 4AB151-1	K20388SS, 15, 8AD202-1	K44719	20, 4AA624-1	31, 8AA503-2
	806747, 24, 4AA624-1	806913, 49, 4AB151-1	K20391	12, 6BB158-1	KN605815, 12, 4AA624-1	32, 8AA503-2
	806748, 4, 6BB158-1	806914, 49, 4AB151-1	K20391	23, 8AA500-1	KN630091, 17, 4AB149-1	Z4117, 34, 10AE763-2
	806789, 35, 4AA624-2	806915, 49, 4AB151-1	6, 8AA481-1	24, 8AA501-1	KN630174, 12, 4AA606-1	Z4525
	806827, 2AA165-0	806916, 49, 4AB151-1	9, 8AA480-1	43, 4AA623-1	KN630361, 18, 4AB149-1	24, 10AF562-1
	806869, 10, 6BB158-1	806917, 49, 4AB151-1	K20424, 45, 4AA623-1	K44722	M0000096-16, 20, 4AA626-1	28, 4AB152-1
	806883, 1, 10AE762-1	806918, 49, 4AB151-1	K20428	27, 4AB152-1	M0000207, 15, 12AA461-1	64, 10AE763-3
		806919, 31, 7AA63-2	10, 10AA635-1	5, 8AA480-1		
		B114A3	57, 10AE763-3	59, 10AE763-3		
		24, 10AA633-1	K224-6, 8, 4AA626-1	K44728, 8, 10AA635-1		
		9, 4AA626-1	K300858	K44748		
		B169, 2AA165-0	11, 6BB158-1			
		16, 4AC216-1				
		B2236-15, 2AA165-0				
		B2236-8, 25, 4AA624-1				
		B254-2, 4, 9AA323-1				
		B3354 -7, 1, 8AD202-1				
		B3500, 20, 6BB156-1				